

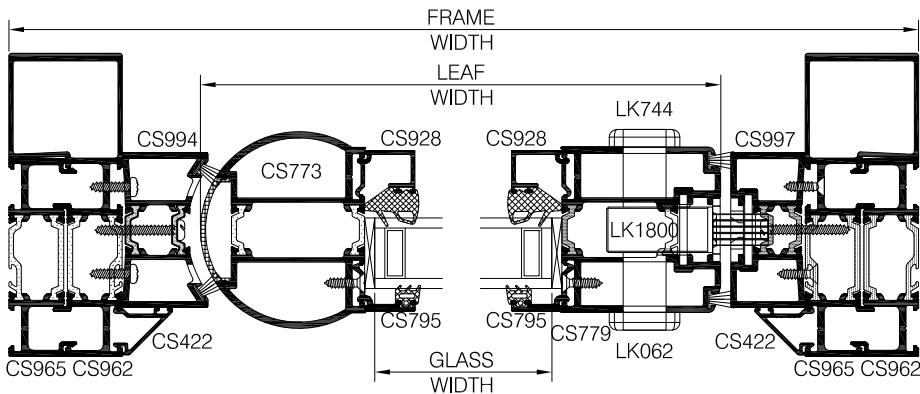
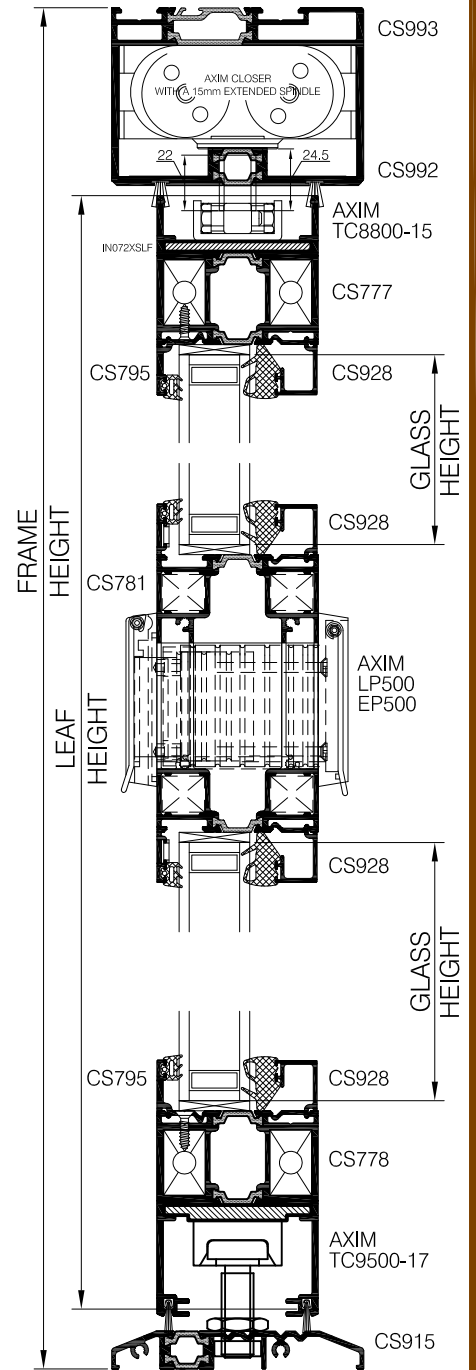
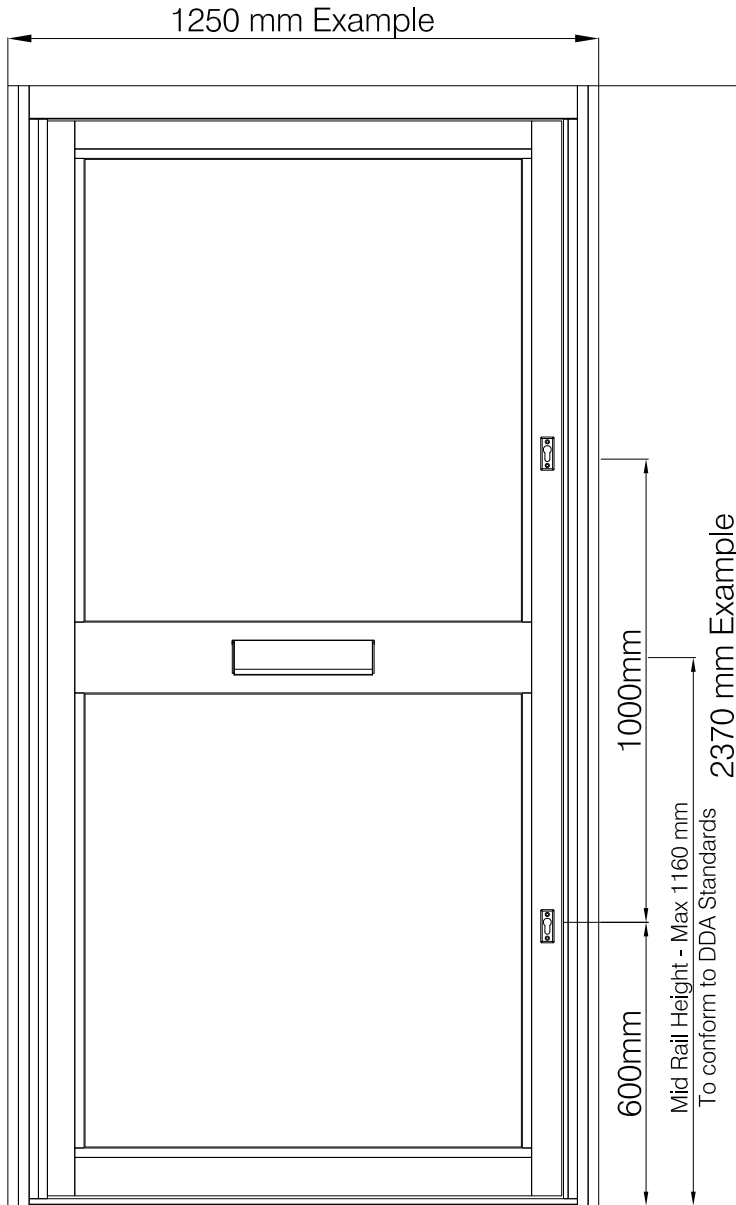
# comar 7P.i

TITLE **POLYAMIDE INSULATED DOORS  
COMAR 7Pi COMMERCIAL DOOR**

SHEET No.

**3.01**

SUB TITLE **STANDARD OPTION  
EXAMPLE DIAGRAM**



Copyright & ownership of this drawing is vested in COMAR Architectural Aluminium Systems, whose prior written consent is required for its use, reproduction or publication to any third party. All other rights reserved. Subject to modifications without prior notification.

**comar**  
ARCHITECTURAL ALUMINIUM SYSTEMS



THE PARKSIDE GROUP LTD  
UNIT 5 ° THE WILLOW CENTRE  
17 WILLOW LANE ° MITCHAM  
SURREY ° CR4 4NX  
Tel: 020-8685 9685 Fax: 020-8687 1142  
Email: technical@parksidegrp.co.uk  
Web Site: <http://www.comar-alu.co.uk>

SCALE	1: 3 & 1: 16	@ A4
DATE	03/10/2019	
DRAWN	VM/KD/BB	
DRG. No.	C7Pi-CD-3.01 R5	

**ABBREVIATIONS**

(B) = OVERALL WIDTH (H) = OVERALL HEIGHT

Item	Code	Qty	Dim	Length	Profile
FRAME - DRIP SECTION	CS083	1 @	B - 154	1,096.0 mm	[Profile]
BEAD - VERTICAL	CS422	2 @	H - 78	2,289.0 mm	[Profile]
FRAME - MULLION	CS965	2 @	H	2,370.0 mm	[Profile]
FRAME - INFILL PLATE	CS962	2 @	H	2,370.0 mm	[Profile]
FRAME - HEADER BAR	CS993	1 @	B - 90	1,160.0 mm	[Profile]
FRAME - HEADER BAR PLATE	CS992	1 @	B - 90	1,160.0 mm	[Profile]
DOUBLE RAMP THRESHOLD	CS915	1 @	B - 90	1,160.0 mm	[Profile]
DOOR FINGER GUARD	CS994	1 @	H - 88.6	2,281.4 mm	[Profile]
MULLION ADAPTOR	CS997	1 @	H - 88.6	2,281.4 mm	[Profile]
WOOLPILE	WP007	2 @	B - 90	1,160.0 mm	[Profile]
WOOLPILE	WP007	2 @	H - 88.6	2,281.4 mm	[Profile]

Item	Code	Qty	Dim	Length	Profile
BEAD HORIZONTAL	CS928	4 @	B - 282.0	968.0 mm	[Profile]
BEAD VERTICAL - TOP	CS928	2 @	H - 1,385.3	984.7 mm	[Profile]
BEAD VERTICAL - BOTTOM	CS928	2 @	H - 1,407.8	962.2 mm	[Profile]
DOOR - AFT STILE	CS773	1 @	H - 95.6	2,274.4 mm	[Profile]
DOOR - TOP RAIL	CS777	1 @	B - 282.0	968.0 mm	[Profile]
DOOR - BOTTOM RAIL	CS778	1 @	B - 282.0	968.0 mm	[Profile]
DOOR - STILE	CS779	1 @	H - 95.6	2,274.4 mm	[Profile]
BEAD VERTICAL - TOP	CS795	2 @	H - 1385.3	984.7 mm	[Profile]
BEAD HORIZONTAL	CS795	4 @	B - 282.0	968.0 mm	[Profile]
BEAD VERTICAL - BOTTOM	CS795	2 @	H - 1407.8	962.2 mm	[Profile]
DOOR - MID-RAIL	CS783	1 @	B - 282.0	968.0 mm	[Profile]
DOOR PIVOT INFILL	GK773	1 @	H - 95.6	2,274.4 mm	[Profile]
DOOR CAVITY CLOSER	GK754	1 @	H - 85.6	2,284.4 mm	[Profile]
DOOR CAVITY CLOSER	GK754	1 @	H - 95.6	2,274.4 mm	[Profile]
WOOLPILE	WP012	2 @	B - 230.6	1,019.4 mm	[Profile]
WOOLPILE	WP007	2 @	H - 92.5	2,277.5 mm	[Profile]
GLAZING GASKET EXT-TOP	GK425	1 @	(2xGLASS width) + (2xGLASS height) + 3%		[Profile]
GLAZING GASKET INT-TOP	GK910	1 @	(2xGLASS width) + (2xGLASS height) + 3%		[Profile]
GLAZING GASKET EXT-BOT.	GK425	1 @	(2xGLASS width) + (2xGLASS height) + 3%		[Profile]
GLAZING GASKET INT-BOT.	GK910	1 @	(2xGLASS width) + (2xGLASS height) + 3%		[Profile]

Item	Code	Qty	Dim	Length	Length
GLASS - TOP		1 @	B - 292.6	H - 1358.6	957.4 mm / 1011.4 mm
GLASS - BOTTOM		1 @	B - 292.6	H - 1377.4	957.4 mm / 992.6 mm

(GLASS SIZE = SIGHT SIZE + 30 mm) (DOUBLE GLAZED UNIT (6 mm - 16 mm - 6 mm) = 28 mm)

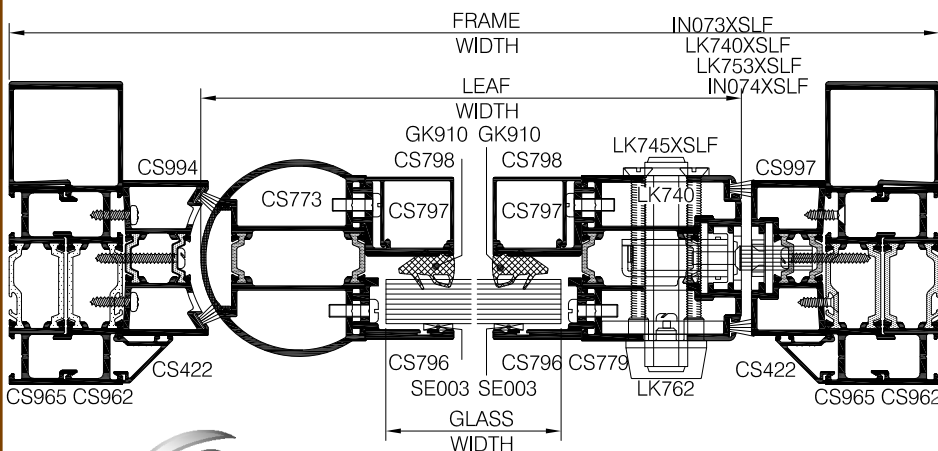
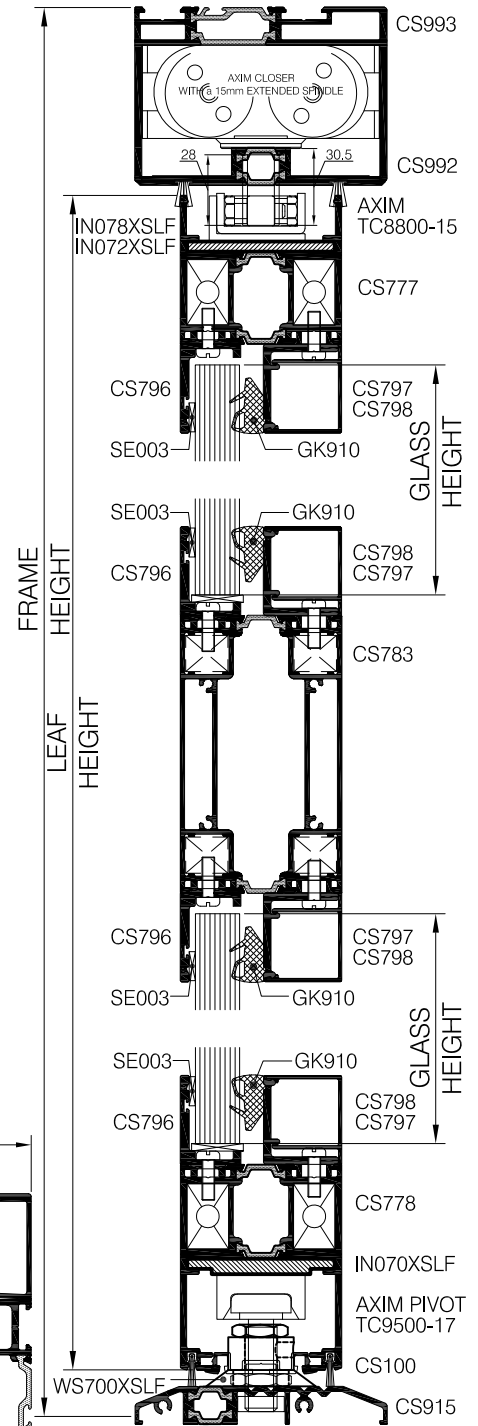
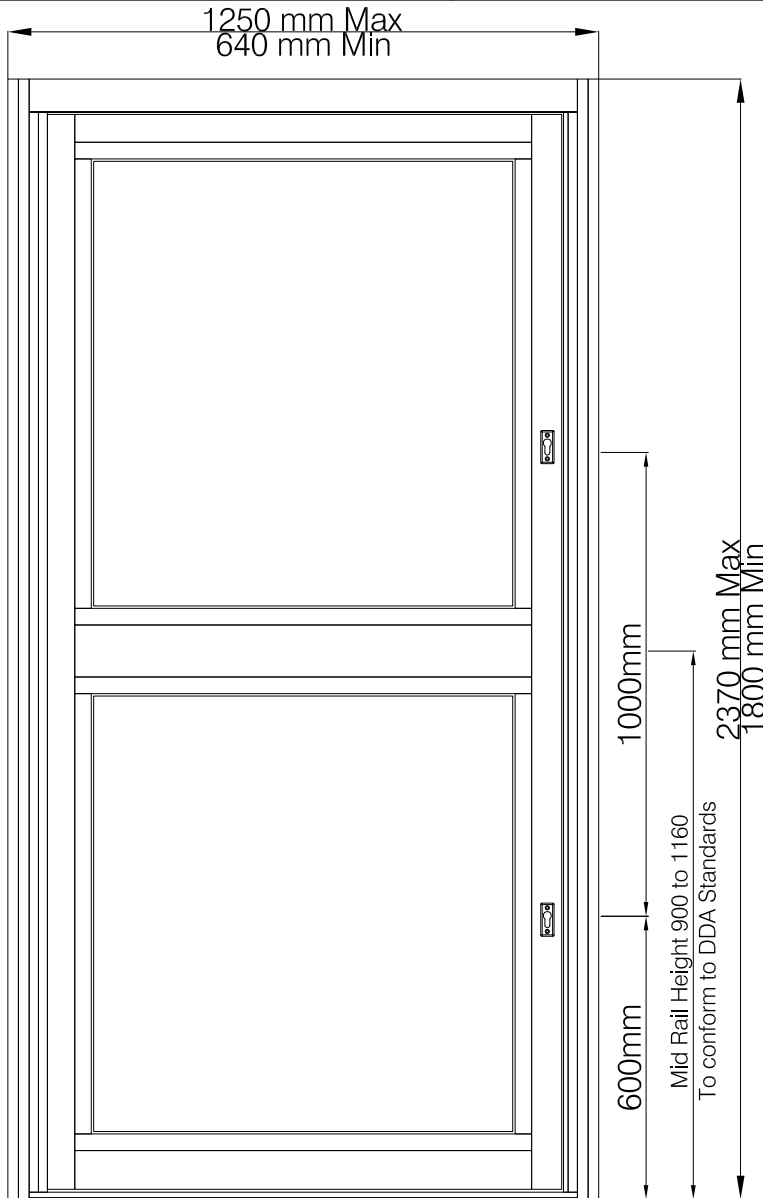
GLASS WEIGHT-TOP (6 mm + 6 mm) x 2.5) x (0.9574 mts x 1.0114 mts) = 29.50 Kg's  
 GLASS WEIGHT-BOTTOM (6 mm + 6 mm) x 2.5) x (0.9574 mts x 0.9926 mts) = 28.51 Kg's

Mortice Hook Lock	LK1800-30-E	2
AXIM Heavy Duty T/Load Bottom Pivot Assembly	TC-9500-17	1
N8 x 32mm Pan Head Self Tapping Screw	FX032XSLF	36
Nylon Stud for CS030 & CS083 - Snap Fit	FX046XSLF	6
Pop Rivet CS030 & CS083 - Snap Fit	FX047XSLF	6
M5 x 12mm Csk Pozi Mch Screw	FX079XSLF	4
AXIM A-Kit Jamb & Header Bar Kit - Pair	TC-8800-03	1
Escutcheon Set Kit - Silver	LK-062BSVR	4
AXIM Pad Handle Set - Silver	HD090BSVR	1
Aluminium Glue - 310ml (Specify the Colour)	SE007-008	1
N8 x 16mm Csk Self Tapping Screw	FX034XSLF	90
AXIM E/Load Top Arm & Channel	TC-8800-15	1
Face Plate - (F = Flat Face) (R = Radiused Face)	LK1801-0R/OF	2
Drip Profile End Cap x 2 for CS083	EC083DBLK	1
Strike Plate - (F = Flat Face) (R = Radiused Face)	LK1800-51-F/R	2
M5 x 16mm Pan Head Mch Screw	FX802XSLF	14
Cleat Transom Kit	WS918XKIT	8
Door Bottom Pivot Fixing Plate	IN070XSLF	1
Fixing Cleats and Bolts for Top & Bottom Rails	NC700XSLF	8
Door Lock Fixing Plate	IN073XSLF	4
Door Cleat Back Plate	IN075XSLF	8
Lock Cylinder 40 mm x 40 mm	LK744XSLF	2
M4 x 70mm Csk Pozi Mch Screw	FX744XSLF	8
M6 x 25mm Csk Pozi Mch Screw	FX726XSLF	4
Top Arm Fixing Plate	IN072XSLF	1
M10 Extension Studs for Pad Handle	FX082XSLF	2
AXIM Size 2 Hold Open (15mm Ext Spindle)	TC-8802-90-15	1
Door Lock Keep Back Plate	IN079XSLF	2

**IMPORTANT NOTE**

DUE TO MANUFACTURING AND PRODUCTION TOLERANCES OF ALUMINIUM, PAINTING, ANODISING, GLASS, PANELS, GASKETS, PROFILES SELECTED, THE NUMBER OF DOORS FITTED AND THE CONFIGURATION. CHECK YOUR GLAZING DIMENSIONS AND TRIAL THE GLASS SIZE FORMULA BEFORE PROCEEDING WITH ANY BULK ORDERS.





Copyright & ownership of this drawing is vested in COMAR Architectural Aluminium Systems, whose prior written consent is required for its use, reproduction or publication to any third party. All other rights reserved. Subject to modifications without prior notification



SCALE	1: 3 & 1: 16	@ A4
DATE	06/12/2019	
DRAWN	VM/KD/BB	
DRG. No.	C7Pi-CD-3.03 R6	

**ABBREVIATIONS**

(B) = OVERALL WIDTH (H) = OVERALL HEIGHT

Item	Code	Qty	Dim	Length	Profile
FRAME - DRIP SECTION	CS083	1 @	B - 154	1,096.0 mm	[Profile]
SLOPED BEAD - VERTICAL	CS422	2 @	H - 78	2,289.0 mm	[Profile]
FRAME - MULLION	CS965	2 @	H	2,370.0 mm	[Profile]
FRAME - INFILL PLATE	CS962	2 @	H	2,370.0 mm	[Profile]
FRAME - HEADER BAR	CS993	1 @	B - 90	1,160.0 mm	[Profile]
FRAME - HEADER BAR PLATE	CS992	1 @	B - 90	1,160.0 mm	[Profile]
DOOR PIVOT 70 mm CARRIER	CS994	1 @	H - 85.6	2,281.4 mm	[Profile]
DOOR STARTER	CS997	1 @	H - 85.6	2,281.4 mm	[Profile]
DOUBLE RAMP THRESHOLD	CS915	1 @	B - 90	1,160.0 mm	[Profile]
WOOLPILE	WP007	2 @	B - 90	1,160.0 mm	[Profile]
WOOLPILE	WP007	2 @	H - 85.6	2,281.4 mm	[Profile]

Item	Code	Qty	Dim	Length	Profile
DOOR CLEAT BACK PLATE	CS734	1 @	B - 90	1,118.0 mm	[Profile]
DOOR - ANTI FINGER STILE	CS773	1 @	H - 97.6	2,272.4 mm	[Profile]
DOOR - TOP RAIL	CS777	1 @	B - 282.0	968.0 mm	[Profile]
DOOR - BOTTOM RAIL	CS797	1 @	B - 282.0	968.0 mm	[Profile]
DOOR - STILE	CS779	1 @	H - 97.6	2,272.4 mm	[Profile]
BEAD - HORIZONTAL - EXT	CS796	4 @	B - 282.0	968.0 mm	[Profile]
BEAD - VERTICAL - TOP- EXT	CS796	2 @	H - 298.8	951.2 mm	[Profile]
BEAD - VERTICAL - BOT- EXT	CS796	2 @	H - 321.3	928.7 mm	[Profile]
BEAD - HORIZONTAL - INT	CS797	4 @	B - 282.0	968.0 mm	[Profile]
BEAD - VERTICAL - TOP- INT	CS797	2 @	H - 298.8	951.2 mm	[Profile]
BEAD - VERTICAL - BOT- INT	CS797	2 @	H - 321.3	928.7 mm	[Profile]
BEAD - HORIZONTAL - INT	CS798	4 @	B - 282.0	968.0 mm	[Profile]
BEAD - VERTICAL - BOT- INT	CS798	2 @	H - 298.8	951.2 mm	[Profile]
BEAD - VERTICAL - TOP- INT	CS798	2 @	H - 321.3	928.7 mm	[Profile]
DOOR - PIVOT INFILL	GK773	1 @	H - 97.6	2,272.4 mm	[Profile]
DOOR CAVITY FILLER	GK754	1 @	H - 97.6	2,272.4 mm	[Profile]
DOOR CAVITY FILLER	GK754	1 @	H - 97.6	2,272.4 mm	[Profile]
DOOR - MID-RAIL 110 mm	CS783	1 @	B - 282.0	968.0 mm	[Profile]
WOOLPILE	WP007	2 @	H - 97.6	2,272.6 mm	[Profile]
WOOLPILE	WP012	2 @	B - 230.6	1,019.4 mm	[Profile]
GLAZING Tape Exterior	SE003	4 @	B - 300.0	950.0 mm	[Profile]
GLAZING Gasket Interior	GK910	4 @	B - 280.0	970.0 mm	[Profile]
GLAZING Tape top pane	SE003	2 @	H - 1,364.0	1,006.0 mm	[Profile]
GLAZING Gasket top pane	GK910	2 @	H - 1,344.0	1,026.0 mm	[Profile]
GLAZING Tape bottom pane	SE003	2 @	H - 1,384.0	986.0 mm	[Profile]
GLAZING Gasket bottom pane	GK910	2 @	H - 1,364.0	1,006.0 mm	[Profile]

GLASS - TOP PANE	1 @	B - 299.0 (B) 951.0 mm	H - 1,364.0 (H) 1,006.0 mm
GLASS - BOTTOM	1 @	B - 299.0 (B) 951.0 mm	H - 1,383.0 (H) 987.0 mm

GLASS SIZE = SIGHT SIZE + 54 mm

GLASS WEIGHT-TOP (17.5 mm x 2.5 ) x (0.951 mts x 1.005 mts) = 41.8 Kgs  
 GLASS WEIGHT-BOTTOM (17.5 mm x 2.5 ) x (0.951 mts x 0.986 mts) = 41.0 Kgs

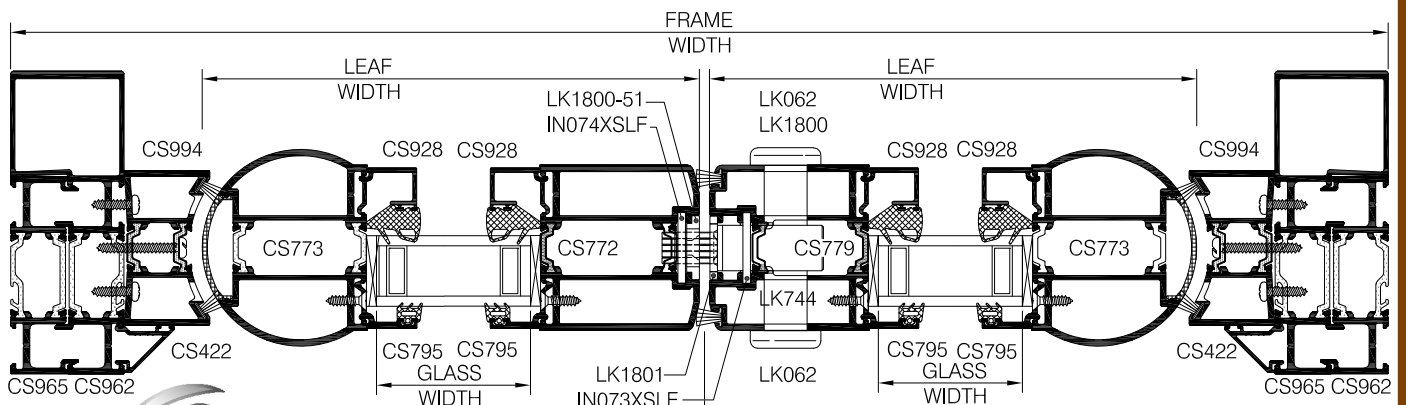
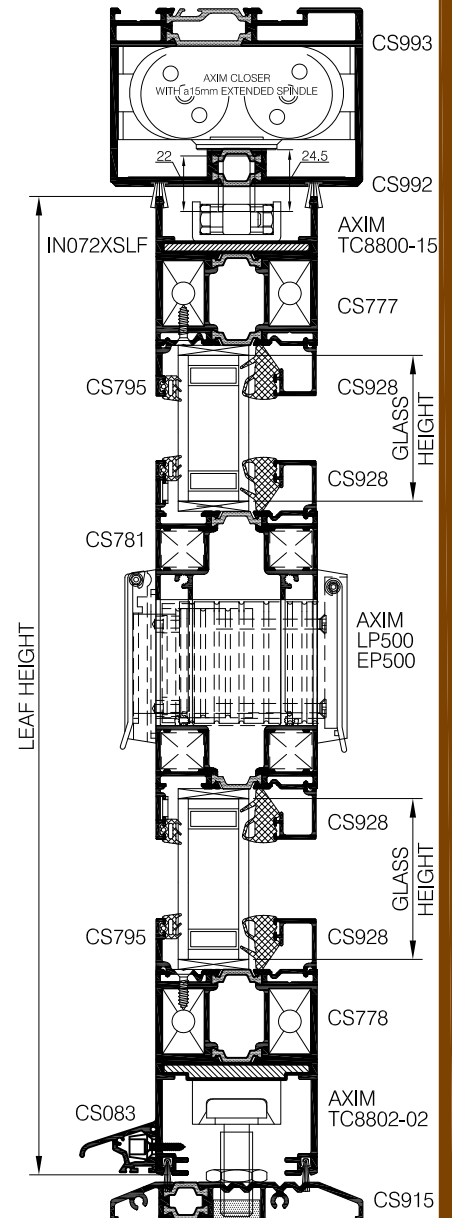
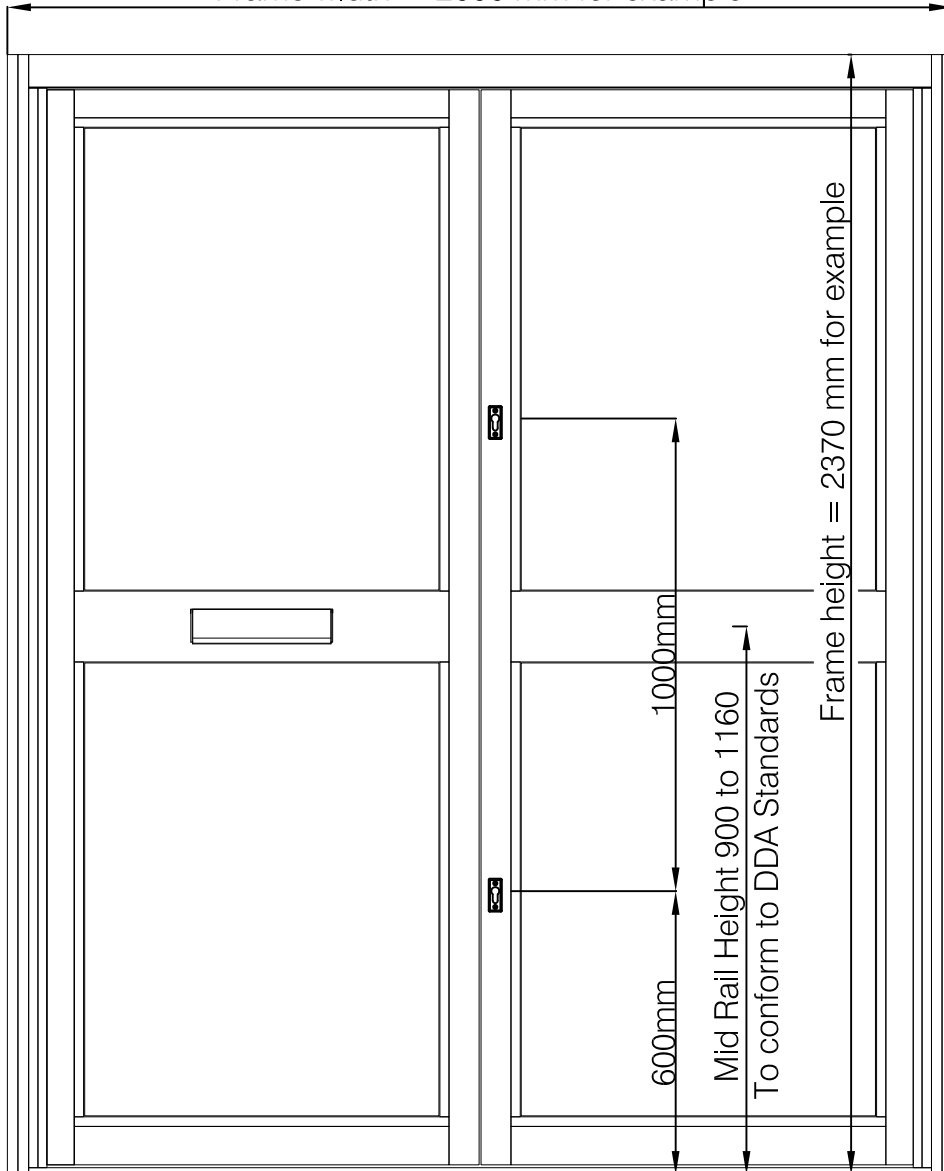
AXIM Heavy Duty T/Load Bottom Pivot Assembly	TC-9500-17	1
N8 x 32mm Pan Head Self Tapping Screw	FX032XSLF	36
Nylon Stud for CS030 & CS083 - Snap Fit	FX046XSLF	6
Pop Rivet CS030 & CS083 - Snap Fit	FX047XSLF	6
AXIM A-Kit Jamb & Header Bar Kit - Pair	TC-8800-03	1
AXIM Pad Handle Set - Silver	HD090BSVR	1
Aluminium Glue - 310ml (Specify the Colour)	SE007-008	1
N8 x 16mm Csk Self Tapping Screw	FX034XSLF	121
AXIM E/Load Top Arm, Channel & 5 mm Shim Bar	TC-8800-15	1
Drip Profile End Cap x 2 for CS083	EC083DBLK	1
M3 x 85mm Csk Pozzi Mch Screw	FX795XSLF	1
AXIM Letter Box Plate Extension Sleeve	LP-570-BK	1
M5 x 20mm Csk for Shootbolt	FX800XSLF	88
M6 x 7 mm Csk Pozzi Mch Screw	FX612XSLF	8
M5 x 16mm Pan Head Mch Screw	FX802XSLF	14
14.5 mm Cleat Transom Kit	WS918XKIT	8
M8 x 65 mm S/S Socket Head Mch Bolt	FX213XSLF	4
C7 Hardened Security Spindle	WS700XSLF	1
Door Bottom Pivot Fixing Plate	IN070XSLF	1
Fixing Cleats and Bolts for Top & Bottom Rails	NC700XSLF	8
Door Lock Keep Back Plate	IN074XSLF	1
Door Lock Fixing Plate	IN073XSLF	2
Door Cleat Back Plate	IN075XSLF	8
Sentinel 6 Lock including Face Plate	LK740BSVR	1
Escutcheon Set Kit - Silver	LK762BSVR	1
Armoured Strike Kit	LK753XSLF	1
ABS Security Lock Cylinder 40 mm x 45 mm	LK745XSLF	1
M4 x 70mm Csk Pozzi Mch Screw	FX744XSLF	8
M6 x 25mm Csk Pozzi Mch Screw	FX726XSLF	4
Top Arm Fixing Plate	IN072XSLF	1
M10 Extension Studs for Pad Handle	FX082XSLF	2
AXIM Letter Box Plate	LP-500-BK	1
Security Top Arm Angle	IN078XSLF	1
AXIM Size 2 Hold Open (15mm Ext Spindle)	TC-8802-00-15	1

**IMPORTANT NOTE**

DUE TO MANUFACTURING AND PRODUCTION TOLERANCES OF ALUMINIUM, PAINTING, ANODISING, GLASS, PANELS, GASKETS, PROFILES SELECTED, THE NUMBER OF DOORS FITTED AND THE CONFIGURATION, CHECK YOUR GLAZING DIMENSIONS AND TRIAL THE GLASS SIZE FORMULA BEFORE PROCEEDING WITH ANY BULK ORDERS.



Frame width = 2000 mm for example



Copyright & ownership of this drawing is vested in COMAR Architectural Aluminium Systems, whose prior written consent is required for its use, reproduction or publication to any third party. All other rights reserved. Subject to modifications without prior notification

**ABBREVIATIONS**

(B) = OVERALL WIDTH (H) = OVERALL HEIGHT

Item	Code	Qty	Dim	Length	Profile
FRAME - DRIP SECTION	CS083	2 @	B - 1,077.4	922.6 mm	[Profile]
SLOPED BEAD - VERTICAL	CS422	2 @	H - 81	2,289.0 mm	[Profile]
FRAME - MULLION	CS965	2 @	H	2,370.0 mm	[Profile]
FRAME - INFILL PLATE	CS962	2 @	H	2,370.0 mm	[Profile]
FRAME - HEADER BAR	CS993	1 @	B - 90	1,910.0 mm	[Profile]
FRAME - HEADER BAR PLATE	CS992	1 @	B - 90	1,910.0 mm	[Profile]
DOOR PIVOT 70mm CARRIER	CS994	1 @	H - 88.6	2,281.4 mm	[Profile]
DOUBLE RAMP THRESHOLD	CS915	1 @	B - 90	1,910.0 mm	[Profile]
WOOLPILE	WP007	2 @	B - 90	1,910.0 mm	[Profile]
WOOLPILE	WP007	2 @	H - 81.0	2,289.0 mm	[Profile]
WOOLPILE	WP012	2 @	H - 81.0	2,289.0 mm	[Profile]

Item	Code	Qty	Dim	Length	Profile
BEAD VERTICAL - TOP	CS928	4 @	H - 1,385.3	984.7 mm	[Profile]
BEAD VERTICAL - BOTTOM	CS928	4 @	H - 1,407.8	962.2 mm	[Profile]
BEAD HORIZONTAL	CS928	8 @	B/2 - 205.5	794.5 mm	[Profile]
DOOR - AFT STILE	CS773	2 @	H - 95.6	2,274.4 mm	[Profile]
DOOR - TOP RAIL	CS777	2 @	B/2 - 205.5	794.5 mm	[Profile]
DOOR - BOTTOM RAIL	CS778	2 @	B/2 - 205.5	794.5 mm	[Profile]
DOOR - STILE	CS779	1 @	H - 95.6	2,274.4 mm	[Profile]
DOOR - STILE	CS772	1 @	H - 95.6	2,274.4 mm	[Profile]
BEAD VERTICAL - TOP	CS795	4 @	H - 1,385.3	984.7 mm	[Profile]
BEAD VERTICAL - BOTTOM	CS795	4 @	H - 1,407.8	962.2 mm	[Profile]
BEAD HORIZONTAL	CS795	4 @	B/2 - 205.5	996.5 mm	[Profile]
ANTI FINGER GUARD TRIM	GK773	2 @	H - 95.6	2,274.4 mm	[Profile]
DOOR CAVITY FILLER	GK754	2 @	H - 95.6	2,274.4 mm	[Profile]
DOOR - MID-RAIL	CS783	2 @	B/2 - 205.5	794.5 mm	[Profile]

Item	Qty	Dim	Length	Width
GLASS - TOP	2 @	B/2 - 42.6	H - 1355.6	957.4 mm
GLASS - BOTTOM	2 @	B/2 - 42.6	H - 1374.4	957.4 mm

SIZES GIVEN ABOVE ARE ASSUMING THE OPENING CLEAVE IS IN THE CENTRE OF THE DOOR SET.

(GLASS SIZE = SIGHT SIZE + 30 mm) (DOUBLE GLAZED UNIT (6 mm - 16 mm - 6 mm) = 28 mm)

GLASS WEIGHT-TOP ((6 mm + 6 mm) x 2.5) x (0.9574 mts x 1.0114 mts) = 29.50 Kg's  
GLASS WEIGHT-BOTTOM ((6 mm + 6 mm) x 2.5) x (0.9574 mts x 0.9926 mts) = 28.51 Kg's

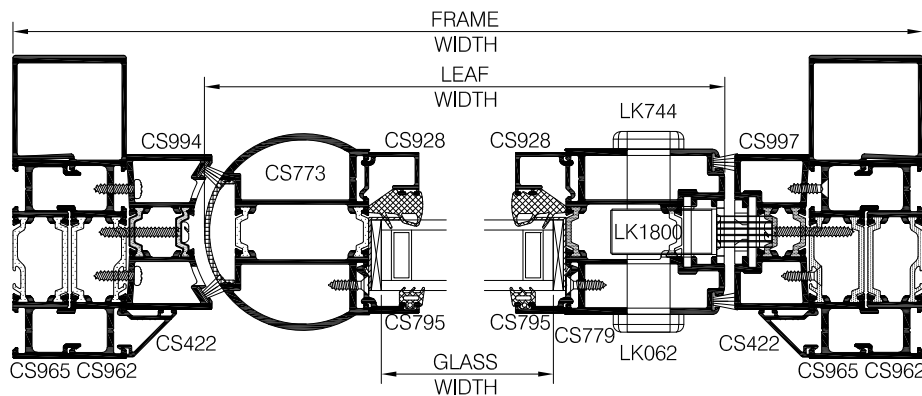
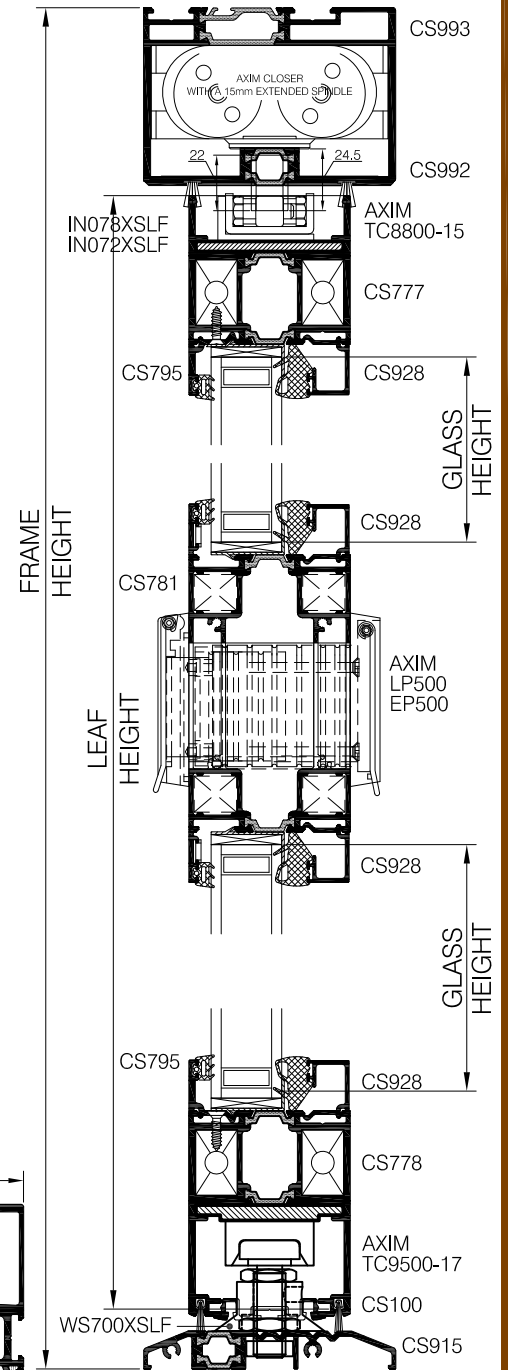
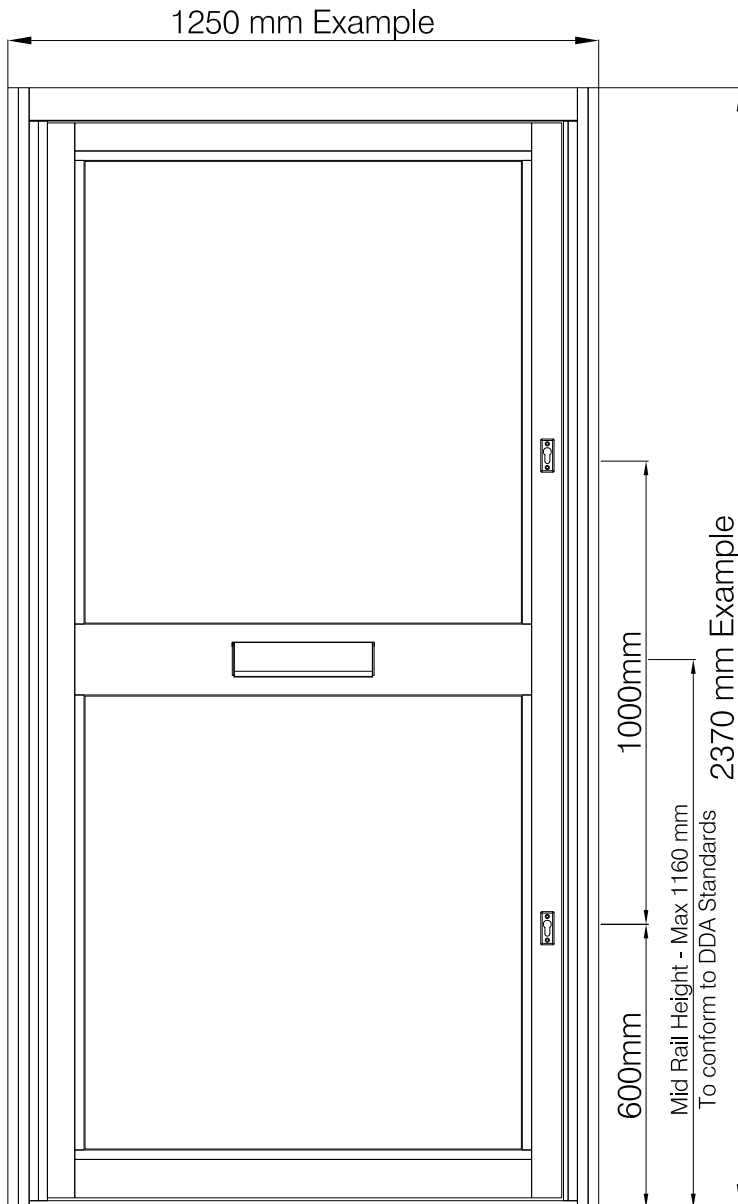
Mortice Hook Lock	LK1800-30-E	1
AXIM Heavy Duty T/Load Bottom Pivot Assembly	TC-9500-17	2
N8 x 32mm Pan Head Self Tapping Screw	FX032XSLF	36
Nylon Stud for CS030 & CS083 - Snap Fit	FX046XSLF	11
Pop Rivet CS030 & CS083 - Snap Fit	FX047XSLF	11
M5 x 12mm Csk Pozi Mch Screw	FX079XSLF	4
5 mm Glazing Gasket	GK425XSLF	14
Escutcheon Set Kit - Silver	LK-062BSVR	2
AXIM Pad Handle Set - Silver	HD090BSVR	2
Aluminium Glue - 310ml (Specify the Colour)	SE007-008	2
N8 x 16mm Csk Self Tapping Screw	FX034XSLF	64
AXIM E/Load Top Arm & Channel	TC-8800-15	2
Face Plate - (F = Flat Face) (R = Radiused Face)	LK1801-0R/OF	1
Drip Profile End Cap x 2 for CS083	EC083DBLK	2
Strike Plate - (F = Flat Face) (R = Radiused Face)	LK1800-51-F/R	1
AXIM Letter Box Plate Extension Sleeve	LP-570-BK	1
M5 x 16mm Pan Head Mch Screw	FX802XSLF	24
M5 x 25mm Pan Head Mch Screw	FX090XSLF	4
11 mm Wedge Gasket (Green)	GK910XSLF	14
Cleat Transom Kit	WS918XKIT	16
Door Bottom Pivot Fixing Plate	IN070XSLF	2
Fixing Cleats and Bolts for Top & Bottom Rails	NC700XSLF	16
Door Lock Fixing Plate	IN073XSLF	2
Door Cleat Back Plate	IN075XSLF	16
Lock Cylinder 40 mm x 40 mm	LK744XSLF	1
M4 x 70mm Csk Pozi Mch Screw	FX744XSLF	8
M6 x 25mm Csk Pozi Mch Screw	FX726XSLF	4
Top Arm Fixing Plate	IN072XSLF	2
Flush Bolt	FB6501-F18	2
Flush Bolt Guide Block	FB62-041	2
M10 Extension Studs for Pad Handle	FX082XSLF	4
Flush Bolt Fixing Plate	IN077XSLF	4
AXIM Letter Box Plate	LP-500-BK	1
N8 x 13 mm Self Tap Screw	FX091XSLF	4
AXIM Size 2 Hold Open (15mm Ext Spindle)	TC-8802-00-15	2
Door Lock Keep Back Plate	IN079XSLF	1

**IMPORTANT NOTE**

DUE TO MANUFACTURING AND PRODUCTION TOLERANCES OF ALUMINIUM, PAINTING, ANODISING, GLASS, PANELS, GASKETS, PROFILES SELECTED, THE NUMBER OF DOORS FITTED AND THE CONFIGURATION, CHECK YOUR GLAZING DIMENSIONS AND TRIAL THE GLASS SIZE FORMULA BEFORE PROCEEDING WITH ANY BULK ORDERS.

\* This is for a mitred cut drip. For a square cut drip use B - 344/2 for each drip cut length





Copyright & ownership of this drawing is vested in COMAR Architectural Aluminium Systems, whose prior written consent is required for its use, reproduction or publication to any third party. All other rights reserved. Subject to modifications without prior notification

**ABBREVIATIONS**

(B) = OVERALL WIDTH (H) = OVERALL HEIGHT

Item	Code	Qty	Dim	Length	Profile
FRAME - DRIP SECTION	CS083	1 @	B - 154	1,096.0 mm	[Profile]
FLAT PLATE - 100 mm x 3 mm	CS143	1 @	B - 90	1,160.0 mm	[Profile]
BEAD - VERTICAL	CS422	2 @	H - 78	2,289.0 mm	[Profile]
FRAME - MULLION	CS965	2 @	H	2,370.0 mm	[Profile]
FRAME - INFILL PLATE	CS962	2 @	H	2,370.0 mm	[Profile]
FRAME - HEADER BAR	CS993	1 @	B - 90	1,160.0 mm	[Profile]
FRAME - HEADER BAR PLATE	CS992	1 @	B - 90	1,160.0 mm	[Profile]
DOUBLE RAMP THRESHOLD	CS915	1 @	B - 90	1,160.0 mm	[Profile]
DOOR FINGER GUARD	CS994	1 @	H - 88.6	2,281.4 mm	[Profile]
MULLION ADAPTOR	CS997	1 @	H - 88.6	2,281.4 mm	[Profile]
WOOLPILE	WP007	2 @	B - 90	1,160.0 mm	[Profile]
WOOLPILE	WP007	2 @	H - 88.6	2,281.4 mm	[Profile]

Item	Code	Qty	Dim	Length	Profile
BEAD HORIZONTAL	CS928	4 @	B - 282.0	968.0 mm	[Profile]
BEAD VERTICAL - TOP	CS928	2 @	H - 279.0	2,091.0 mm	[Profile]
BEAD VERTICAL - BOTTOM	CS928	2 @	H - 289.8	2,080.2 mm	[Profile]
DOOR - AFT STILE	CS773	1 @	H - 97.6	2,272.4 mm	[Profile]
DOOR - TOP RAIL	CS777	1 @	B - 282.0	968.0 mm	[Profile]
DOOR - BOTTOM RAIL	CS778	1 @	B - 282.0	968.0 mm	[Profile]
DOOR - STILE	CS779	1 @	H - 97.6	2,272.4 mm	[Profile]
BEAD VERTICAL - TOP	CS795	2 @	H - 1387.3	982.7 mm	[Profile]
BEAD HORIZONTAL	CS795	4 @	B - 282.0	968.0 mm	[Profile]
BEAD VERTICAL - BOTTOM	CS795	2 @	H - 1409.8	960.2 mm	[Profile]
DOOR - MID-RAIL	CS783	1 @	B - 282.0	968.0 mm	[Profile]
DOOR PIVOT INFILL	GK773	1 @	H - 97.6	2,272.4 mm	[Profile]
DOOR CAVITY CLOSER	GK754	1 @	H - 87.6	2,282.4 mm	[Profile]
DOOR CAVITY CLOSER	GK754	1 @	H - 97.6	2,272.4 mm	[Profile]
WOOLPILE	WP012	2 @	B - 230.6	1,019.4 mm	[Profile]
WOOLPILE	WP007	2 @	H - 94.5	2,275.5 mm	[Profile]
GLAZING GASKET EXT-TOP	GK425	1 @	(2xGLASS width) + (2xGLASS height) + 3%		[Profile]
GLAZING GASKET INT-TOP	GK910	1 @	(2xGLASS width) + (2xGLASS height) + 3%		[Profile]
GLAZING GASKET EXT-BOT.	GK425	1 @	(2xGLASS width) + (2xGLASS height) + 3%		[Profile]
GLAZING GASKET INT-BOT.	GK910	1 @	(2xGLASS width) + (2xGLASS height) + 3%		[Profile]

Item	Code	Qty	Dim	Length	Length
GLASS - TOP		1 @	B - 292.6	H - 1357.6	957.4 mm 1012.4 mm
GLASS - BOTTOM		1 @	B - 292.6	H - 1376.4	957.4 mm 993.6 mm

(GLASS SIZE = SIGHT SIZE + 30 mm) (DOUBLE GLAZED UNIT (6 mm - 16 mm - 6 mm) = 28 mm)

GLASS WEIGHT-TOP (6 mm + 6 mm) x 2.5 ) x ( 0.9574 mts x 1.0114 mts ) = 29.50 Kg's  
GLASS WEIGHT-BOTTOM (6 mm + 6 mm) x 2.5 ) x ( 0.9574 mts x 0.9926 mts ) = 28.51 Kg's

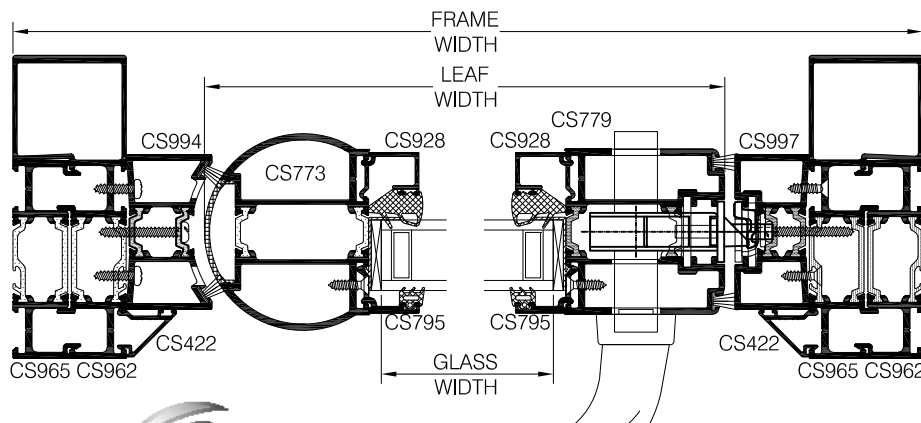
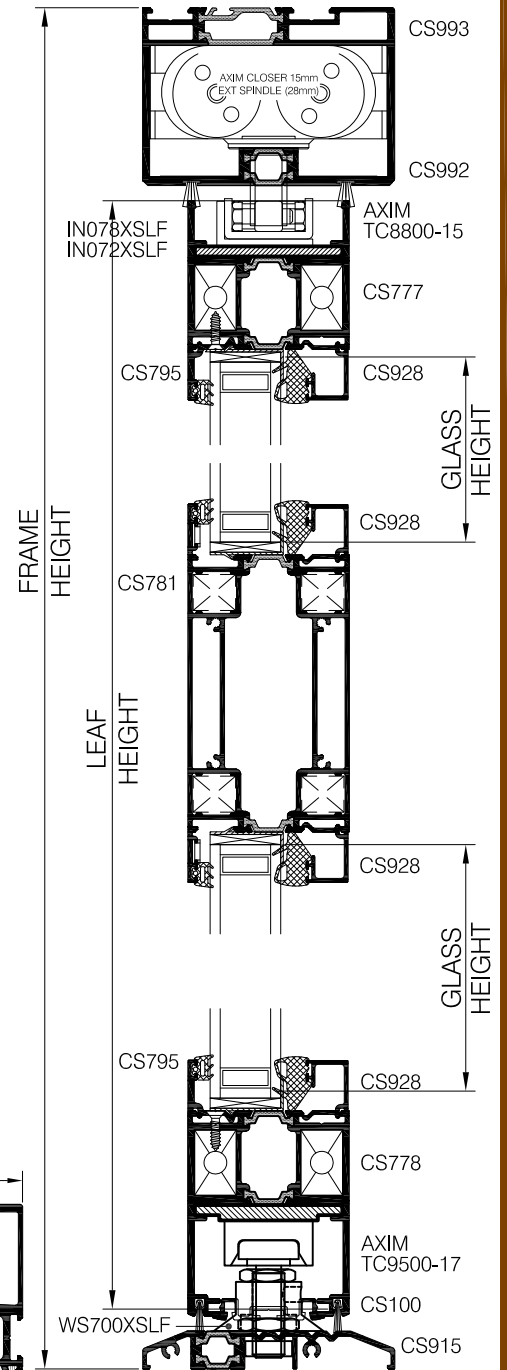
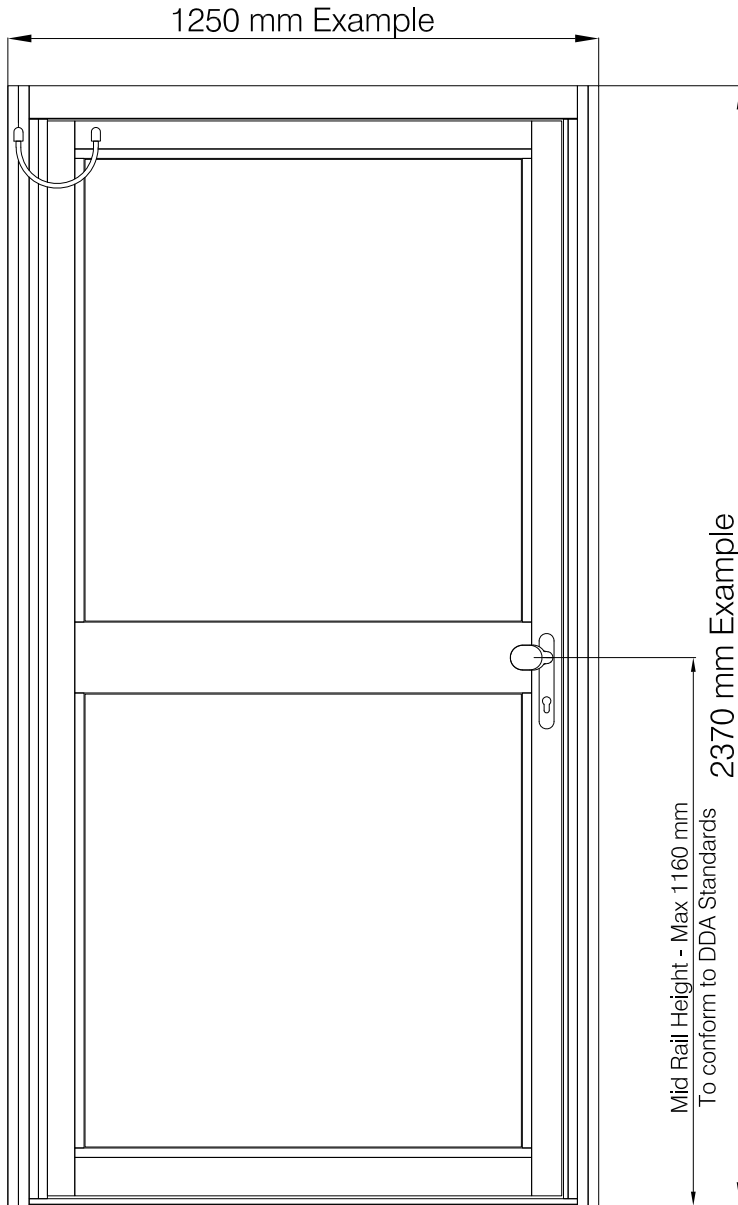
Mortice Hook Lock	LK1800-30	2
AXIM Heavy Duty T/Load Bottom Pivot Assembly	TC-9500-17	1
N8 x 32mm Pan Head Self Tapping Screw	FX032XSFL	36
Nylon Stud for CS030 & CS083 - Snap Fit	FX046XSFL	6
Pop Rivet CS030 & CS083 - Snap Fit	FX047XSFL	6
M5 x 12mm Csk Pozi Mch Screw	FX079XSFL	4
AXIM A-Kit Jamb & Header Bar Kit - Pair	TC-8800-03	1
Escutcheon Set Kit - Silver	LK-062BSVR	4
AXIM Pad Handle Set - Silver	HD090BSVR	1
Aluminium Glue - 310ml (Specify the Colour)	SE007-008	1
N8 x 16mm Csk Self Tapping Screw	FX034XSFL	90
AXIM E/Load Top Arm & Channel	TC-8800-15	1
Face Plate - (F = Flat Face) (R = Radiused Face)	LK1801-0R/OF	2
Drip Profile End Cap x 2 for CS083	EC083DBLK	1
Strike Plate - (F = Flat Face) (R = Radiused Face)	LK1800-51-F/R	2
M5 x 16mm Pan Head Mch Screw	FX802XSFL	14
Cleat Transom Kit	WS918XKIT	8
Door Bottom Pivot Fixing Plate	IN070XSFL	1
Fixing Cleats and Bolts for Top & Bottom Rails	NC700XSFL	8
Door Lock Fixing Plate	IN073XSFL	4
Door Cleat Back Plate	IN075XSFL	8
ABS Security Lock Cylinder 40 mm x 45 mm	LK745XSFL	1
M4 x 70mm Csk Pozi Mch Screw	FX744XSFL	8
M6 x 25mm Csk Pozi Mch Screw	FX726XSFL	4
Top Arm Fixing Plate	IN072XSFL	1
M10 Extension Studs for Pad Handle	FX082XSFL	2
AXIM Size 2 Hold Open (15mm Ext Spindle)	TC-8802-90-15	1
Door Lock Keep Back Plate	IN079XSFL	2
Security Clips	WS902XSFL	16

**IMPORTANT NOTE**

DUE TO MANUFACTURING AND PRODUCTION TOLERANCES OF ALUMINIUM, PAINTING, ANODISING, GLASS, PANELS, GASKETS, PROFILES SELECTED, THE NUMBER OF DOORS FITTED AND THE CONFIGURATION. CHECK YOUR GLAZING DIMENSIONS AND TRIAL THE GLASS SIZE FORMULA BEFORE PROCEEDING WITH ANY BULK ORDERS.

Copyright & ownership of this drawing is vested in COMAR Architectural Aluminium Systems, whose prior written consent is required for its use, reproduction or publication to any third party. All other rights reserved. Subject to modifications without prior notification





Copyright & ownership of this drawing is vested in COMAR Architectural Aluminium Systems, whose prior written consent is required for its use, reproduction or publication to any third party. All other rights reserved. Subject to modifications without prior notification

**ABBREVIATIONS**

(B) = OVERALL WIDTH (H) = OVERALL HEIGHT

Example Cutting List for Standard Swing Door Outer Frame 1250 mm (B) x 2370 mm (H)				
FRAME - DRIP SECTION	CS083	1 @	B - 154	1,096.0 mm
FLAT PLATE - 100 mm x 3 mm	CS143	1 @	B - 90	1,160.0 mm
BEAD - VERTICAL	CS422	2 @	H - 78	2,289.0 mm
FRAME - MULLION	CS965	2 @	H	2,370.0 mm
FRAME - INFILL PLATE	CS962	2 @	H	2,370.0 mm
FRAME - HEADER BAR	CS993	1 @	B - 90	1,160.0 mm
FRAME - HEADER BAR PLATE	CS992	1 @	B - 90	1,160.0 mm
DOUBLE RAMP THRESHOLD	CS915	1 @	B - 90	1,160.0 mm
DOOR FINGER GUARD	CS994	1 @	H - 88.6	2,281.4 mm
MULLION ADAPTOR	CS997	1 @	H - 88.6	2,281.4 mm
WOOLPILE	WP007	2 @	B - 90	1,160.0 mm
WOOLPILE	WP007	2 @	H - 88.6	2,281.4 mm

Example Cutting List for Standard Swing Door Leaf with Mid-Rail set at 1160 mm exactly				
BEAD HORIZONTAL	CS928	4 @	B - 268.3	981.7 mm
BEAD VERTICAL - TOP	CS928	2 @	H - 279.0	2091.0 mm
BEAD VERTICAL - BOTTOM	CS928	2 @	H - 289.8	2080.2 mm
DOOR - AFT STILE	CS773	1 @	H - 97.6	2,272.4 mm
DOOR - TOP RAIL	CS777	1 @	B - 282.6	968.0 mm
DOOR - BOTTOM RAIL	CS778	1 @	B - 282.6	968.0 mm
DOOR - STILE	CS779	1 @	H - 97.6	2,272.4 mm
BEAD VERTICAL - TOP	CS795	2 @	H - 1387.3	982.7 mm
BEAD HORIZONTAL	CS795	4 @	B - 282.0	968.0 mm
BEAD VERTICAL - BOTTOM	CS795	2 @	H - 1409.8	960.2 mm
DOOR - MID-RAIL	CS783	1 @	B - 282.6	968.0 mm
DOOR PIVOT INFILL	GK773	1 @	H - 97.6	2,272.4 mm
DOOR CAVITY CLOSER	GK754	1 @	H - 87.6	2,282.4 mm
DOOR CAVITY CLOSER	GK754	1 @	H - 97.6	2,272.4 mm
WOOLPILE	WP012	2 @	B - 230.6	1,019.4 mm
WOOLPILE	WP007	2 @	H - 94.5	2,275.5 mm
GLAZING GASKET EXT-TOP	GK425	1 @	(2xGLASS width) + (2xGLASS height) + 3%	
GLAZING GASKET INT-TOP	GK910	1 @	(2xGLASS width) + (2xGLASS height) + 3%	
GLAZING GASKET EXT-BOT.	GK425	1 @	(2xGLASS width) + (2xGLASS height) + 3%	
GLAZING GASKET INT-BOT.	GK910	1 @	(2xGLASS width) + (2xGLASS height) + 3%	

28 MM DOUBLE GLAZED UNIT FOR FITTING INTO SINGLE DOOR (1250 mm x 2370 mm)				
GLASS - TOP	1 @	B - 292.6	H - 1357.6	957.4 mm
GLASS - BOTTOM	1 @	B - 292.6	H - 1376.4	957.4 mm

(GLASS SIZE = SIGHT SIZE + 30 mm) (DOUBLE GLAZED UNIT (6 mm - 16 mm - 6 mm) = 28 mm)

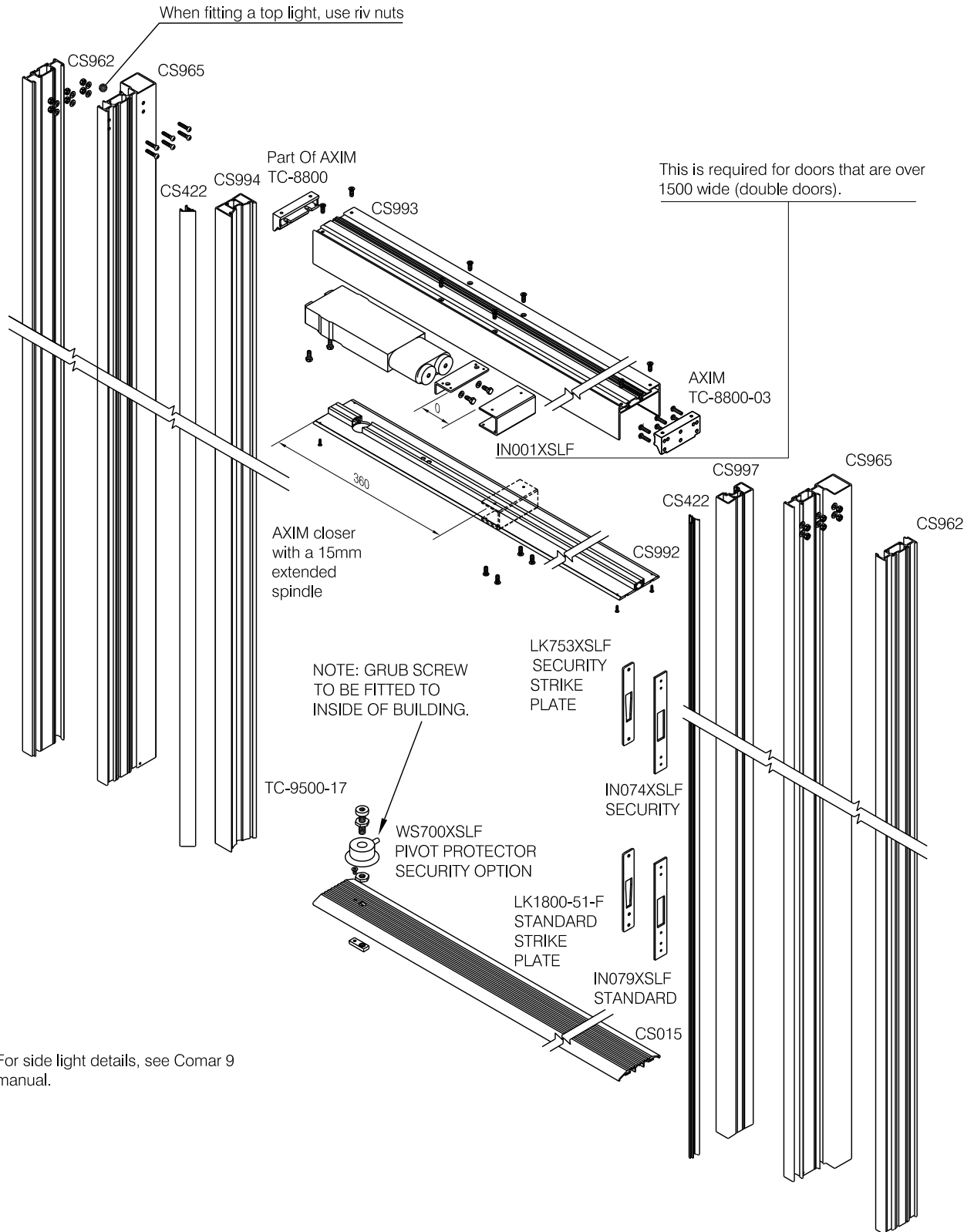
GLASS WEIGHT-TOP (6 mm + 6 mm) x 2.5) x (0.9574 mts x 1.0114 mts) = 29.50 Kg's  
GLASS WEIGHT-BOTTOM (6 mm + 6 mm) x 2.5) x (0.9574 mts x 0.9926 mts) = 28.51 Kg's

ACCESSORIES AND ADDITIONAL ITEMS		
AXIM Heavy Duty T/Load Bottom Pivot Assembly	TC-9500-17	1
N8 x 32mm Pan Head Self Tapping Screw	FX032XSFL	36
Nylon Stud for CS030 & CS083 - Snap Fit	FX046XSFL	6
Pop Rivet CS030 & CS083 - Snap Fit	FX047XSFL	6
M5 x 12mm Csk Pozzi Mch Screw	FX079XSFL	4
AXIM A-Kit Jamb & Header Bar Kit - Pair	TC-8800-03	1
Aluminium Glue - 310ml (Specify the Colour)	SE007-008	1
N8 x 16mm Csk Self Tapping Screw	FX034XSFL	90
AXIM E/Load Top Arm & Channel	TC-8800-15	1
Drip Profile End Cap x 2 for CS083	EC083DBLK	1
M5 x 16mm Pan Head Mch Screw	FX802XSFL	14
Cleat Transom Kit	WS918XKIT	8
Door Bottom Pivot Fixing Plate	IN070XSFL	1
Fixing Cleats and Bolts for Top & Bottom Rails	NC700XSFL	8
Door Lock Fixing Plate	IN073XSFL	4
Door Cleat Back Plate	IN075XSFL	8
M4 x 70mm Csk Pozzi Mch Screw	FX744XSFL	8
M6 x 25mm Csk Pozzi Mch Screw	FX726XSFL	4
Top Arm Fixing Plate	IN072XSFL	1
AXIM Size 2 Hold Open (15mm Ext Spindle)	TC-8802-90-15	1
2170mm-2400mm High Electronic Lock	LK769XSFL	1
Access Handle	LK779XSFL	1
Centre Keep (RH)	LK749XSFL	1
Lock Fixing Plate	IN073XSFL	2
Magnet	LK776XSFL	2
Flat keep	LK751XSFL	2
Cable 6 Core 10m (standard)	LK781XSFL	2
Cable Duct Sheath	LK783XSFL	2
Cable Protection Grommets	LK785XSFL	2
Security Cylinder	LK763XSFL	2
Security Top Arm Angle	IN078XSFL	1
Security Clips	WS902XSFL	16

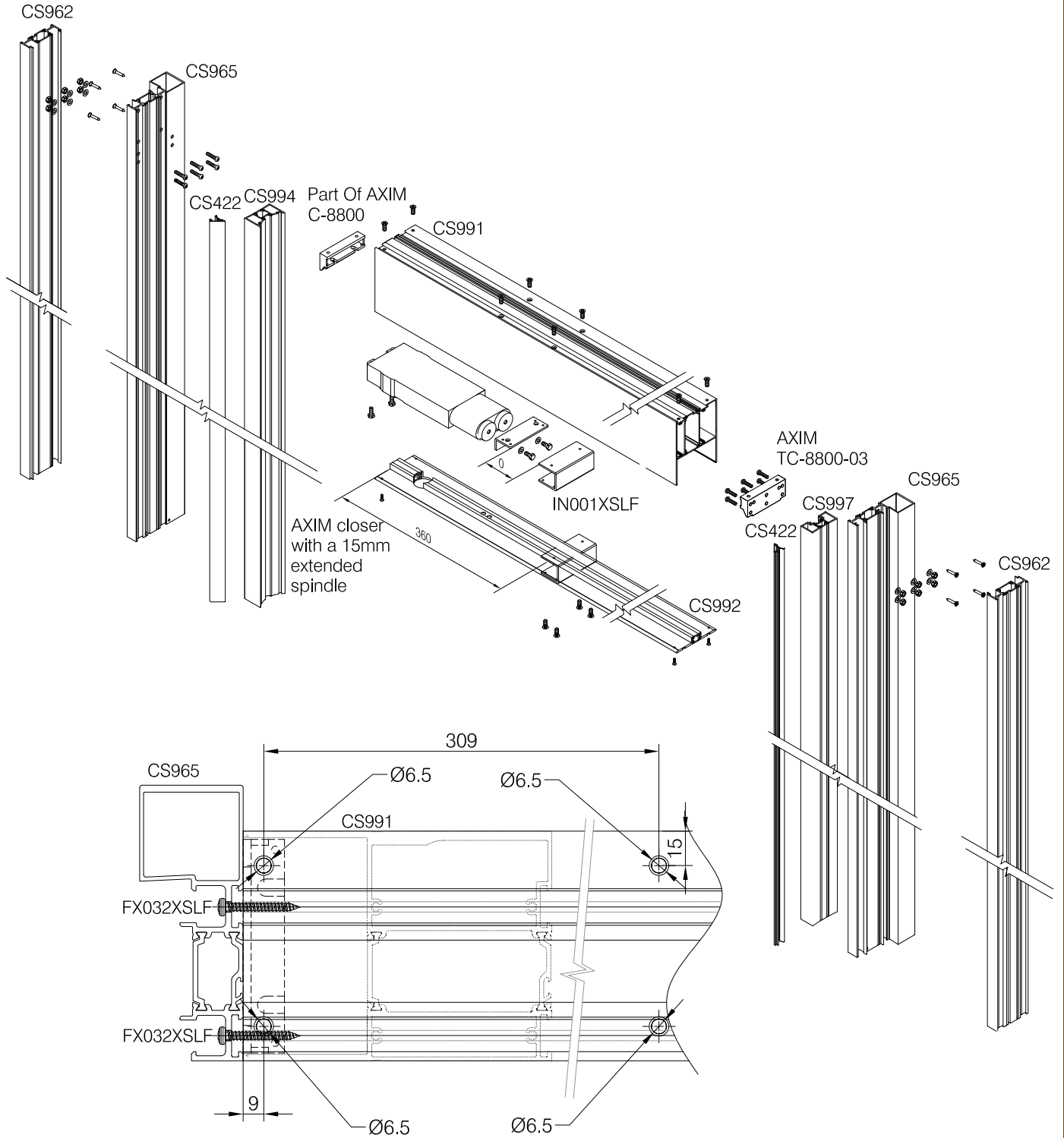
**IMPORTANT NOTE**

DUE TO MANUFACTURING AND PRODUCTION TOLERANCES OF ALUMINIUM, PAINTING, ANODISING, GLASS, PANELS, GASKETS, PROFILES SELECTED, THE NUMBER OF DOORS FITTED AND THE CONFIGURATION. CHECK YOUR GLAZING DIMENSIONS AND TRIAL THE GLASS SIZE FORMULA BEFORE PROCEEDING WITH ANY BULK ORDERS.

Copyright & ownership of this drawing is vested in COMAR Architectural Aluminium Systems, whose prior written consent is required for its use, reproduction or publication to any third party. All other rights reserved. Subject to modifications without prior notification



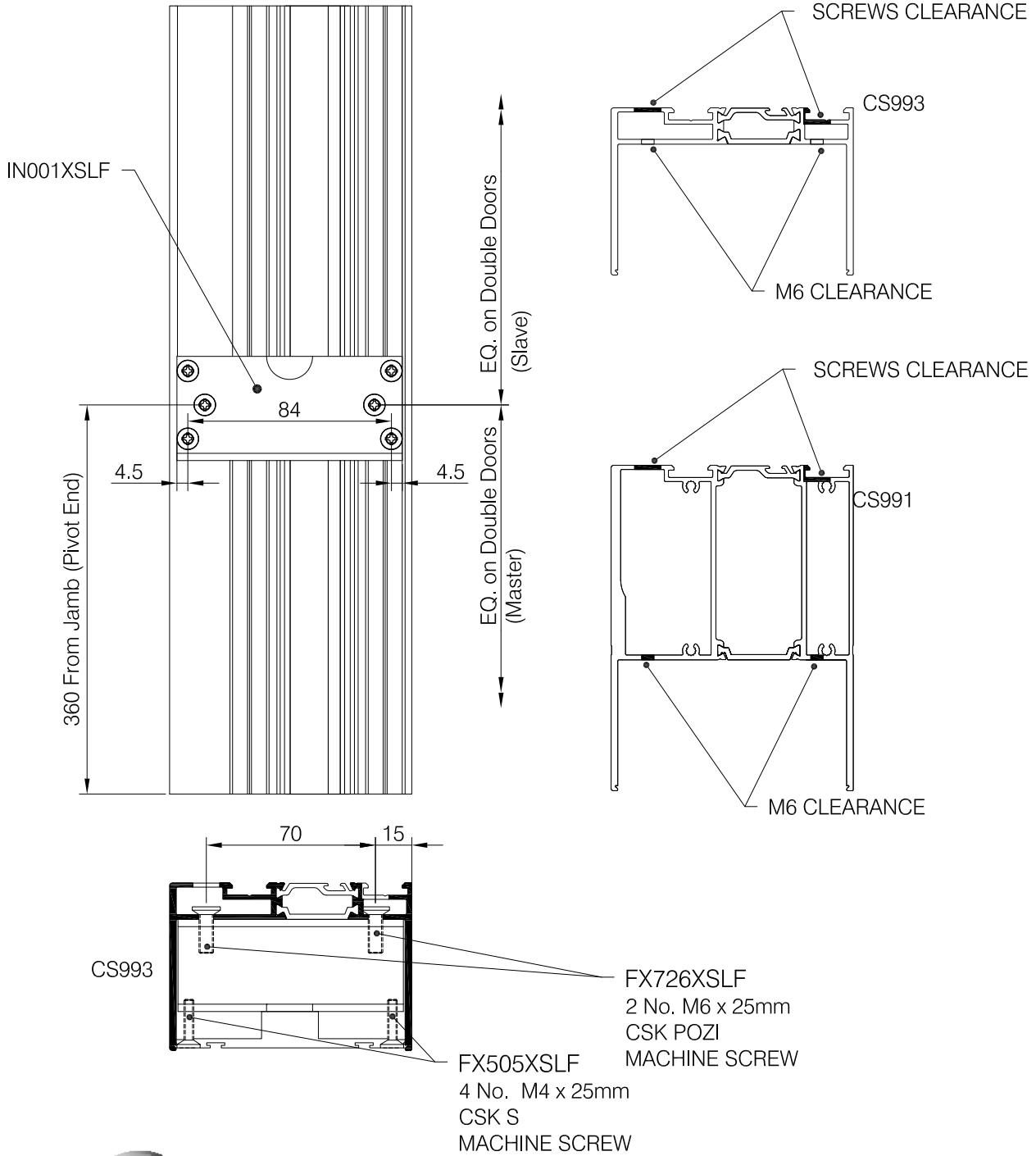
SCALE	NTS	© A4
DATE	06/12/2019	
DRAWN	VM/KD/BB	
DRG. No.	C7Pi-CD-3.09 R3	



Copyright & ownership of this drawing is vested in COMAR Architectural Aluminium Systems, whose prior written consent is required for its use, reproduction or publication to any third party. All other rights reserved. Subject to modifications without prior notification

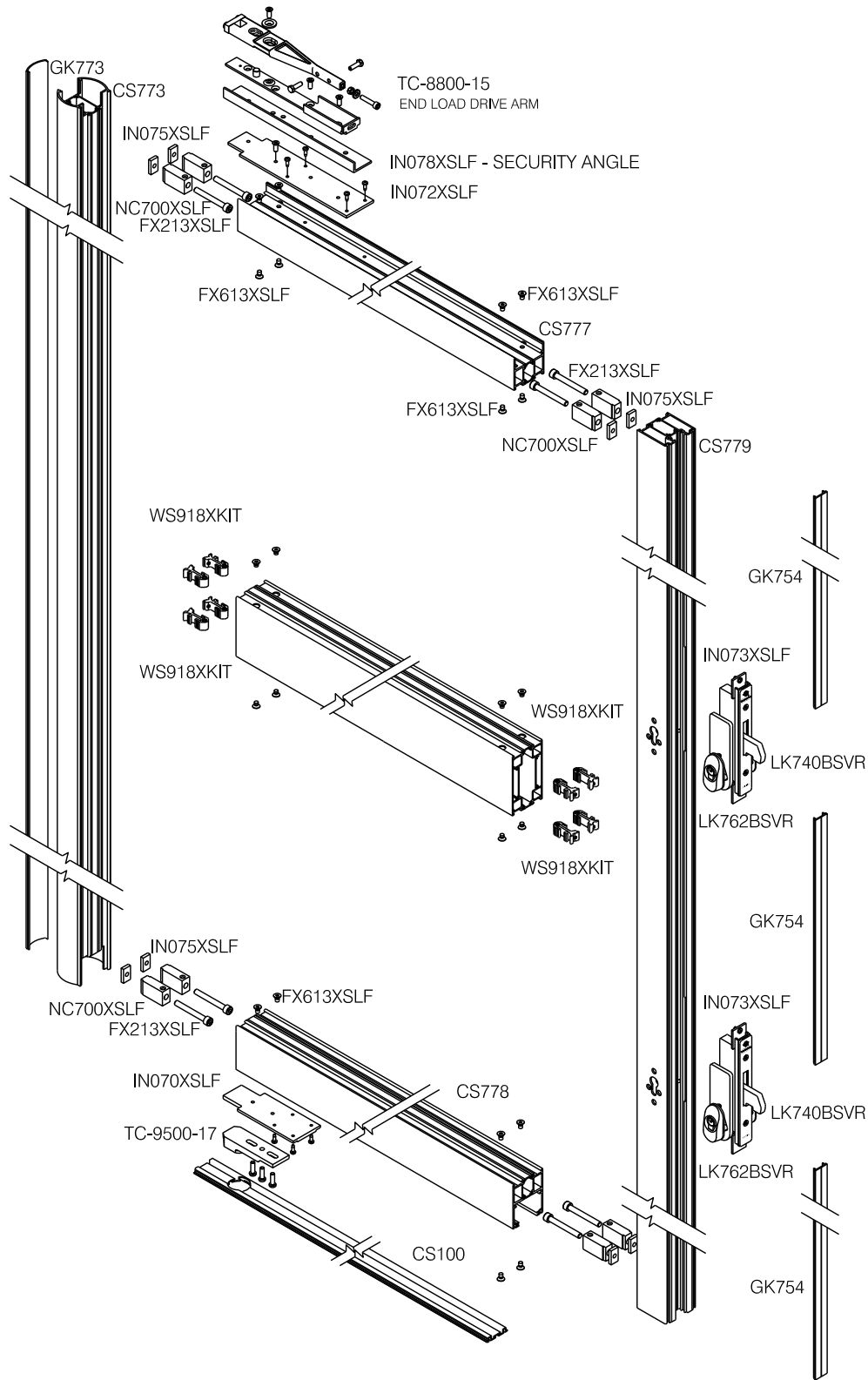


SCALE	NTS	@ A4
DATE	25/04/17	
DRAWN	NS / KD	
DRG. No.	C7Pi-CD-3.09.1 R1	



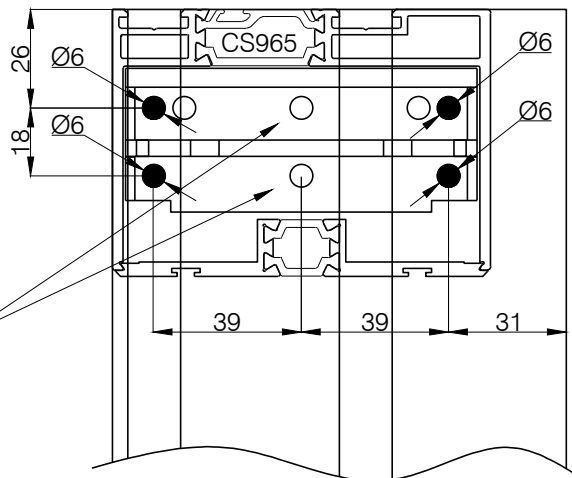
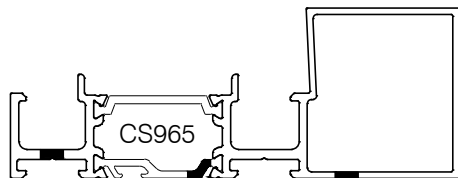
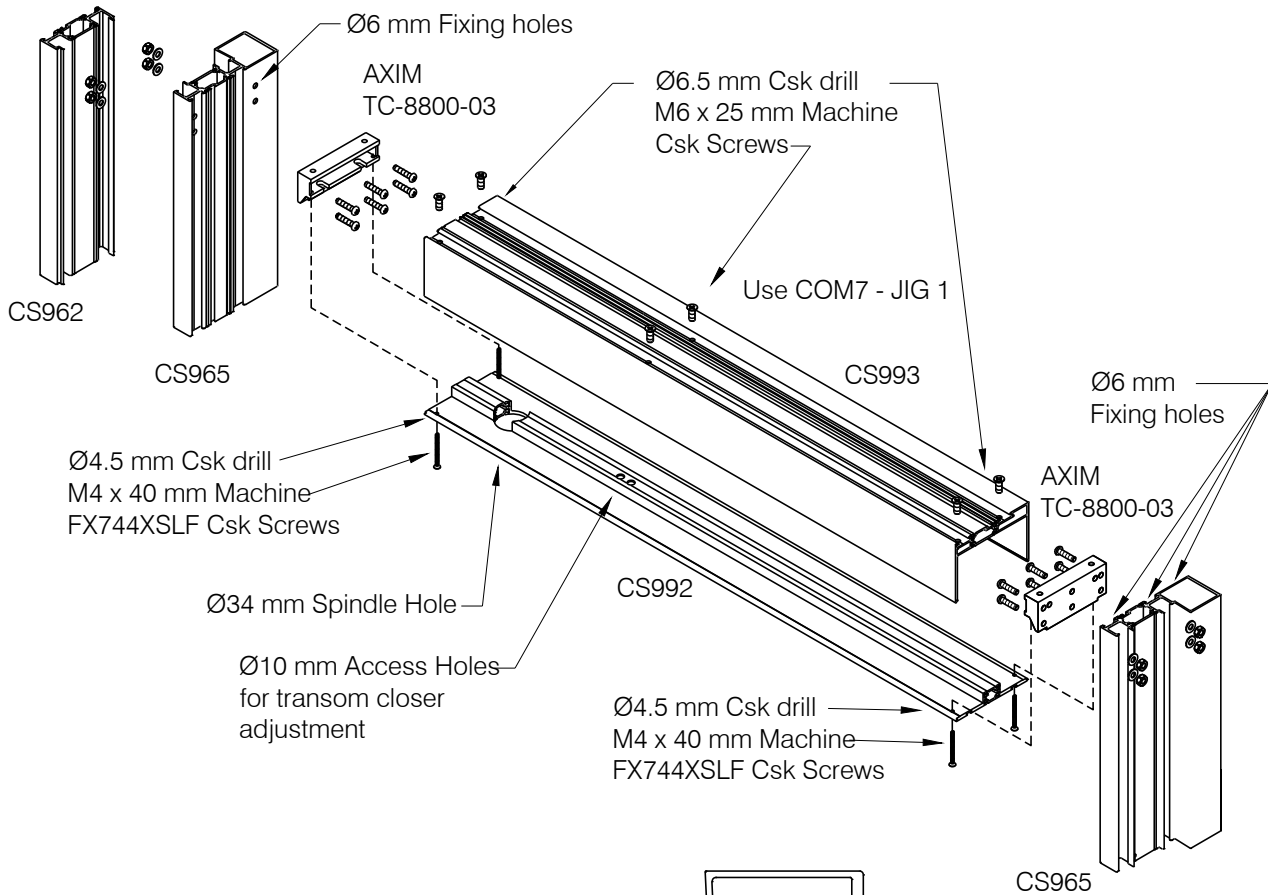
Copyright & ownership of this drawing is vested in COMAR Architectural Aluminium Systems, whose prior written consent is required for its use, reproduction or publication to any third party. All other rights reserved. Subject to modifications without prior notification





Copyright & ownership of this drawing is vested in COMAR Architectural Aluminium Systems, whose prior written consent is required for its use, reproduction or publication to any third party. All other rights reserved. Subject to modifications without prior notification

SCALE	1:1	© A4
DATE	25/09/14	
DRAWN	VM/KP	
DRG. No.	C7Pi-CD-3.11	R1



Mullion hole positions for  
AXIM Transom Support  
Brackets

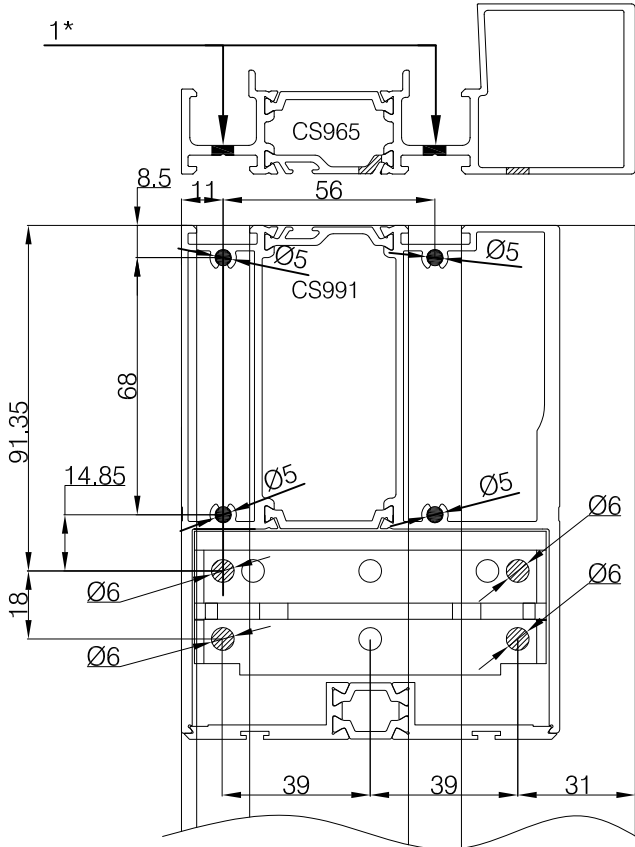
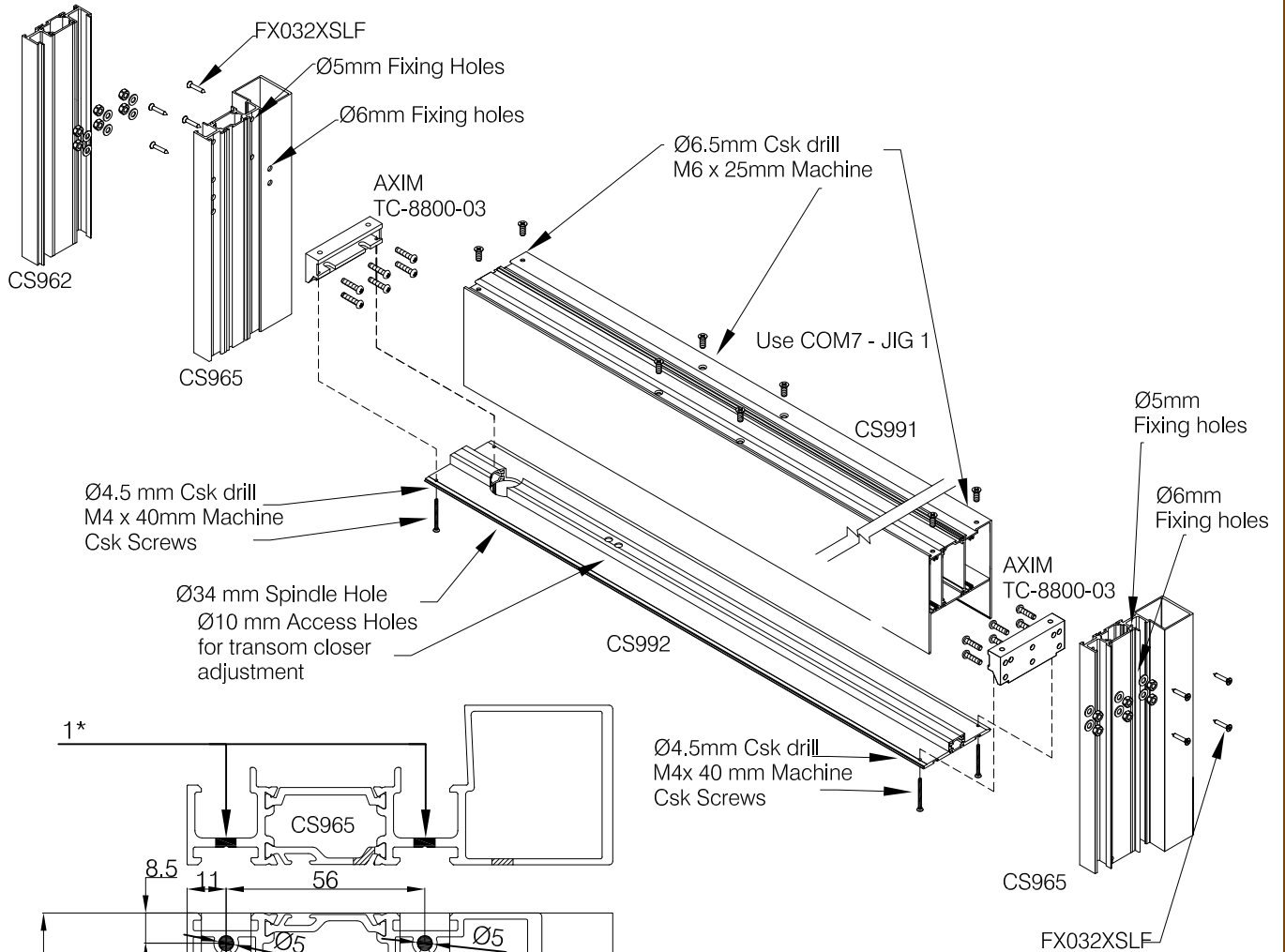
Use 2 self tapping screws for fixing to polyamide strip

Copyright & ownership of this drawing is vested in COMAR Architectural Aluminium Systems, whose prior written consent is required for its use, reproduction or publication to any third party. All other rights reserved. Subject to modifications without prior notification



SCALE	1:1	@ A4
DATE	24/04/17	
DRAWN	VM / KD	
DRG. No.	C7Pi-CD-3.12 R2	





1\* Mullion hole positions for CS991 Profile

Mullion hole positions for AXIM Transom Support Brackets

Copyright & ownership of this drawing is vested in COMAR Architectural Aluminium Systems, whose prior written consent is required for its use, reproduction or publication to any third party. All other rights reserved. Subject to modifications without prior notification

SCALE	1:1	© A4
DATE	17/03/17	
DRAWN	NS/CAD	
DRG. No.	C7Pi-CD-3.12.1 R0	

comar 7P.i

TITLE  
**POLYAMIDE INSULATED DOORS  
COMAR 7Pi COMMERCIAL DOOR**

SHEET No.  
**3.12.2**

SUB TITLE  
**INTENTIONALLY BLANK**



**comar**  
ARCHITECTURAL ALUMINIUM SYSTEMS

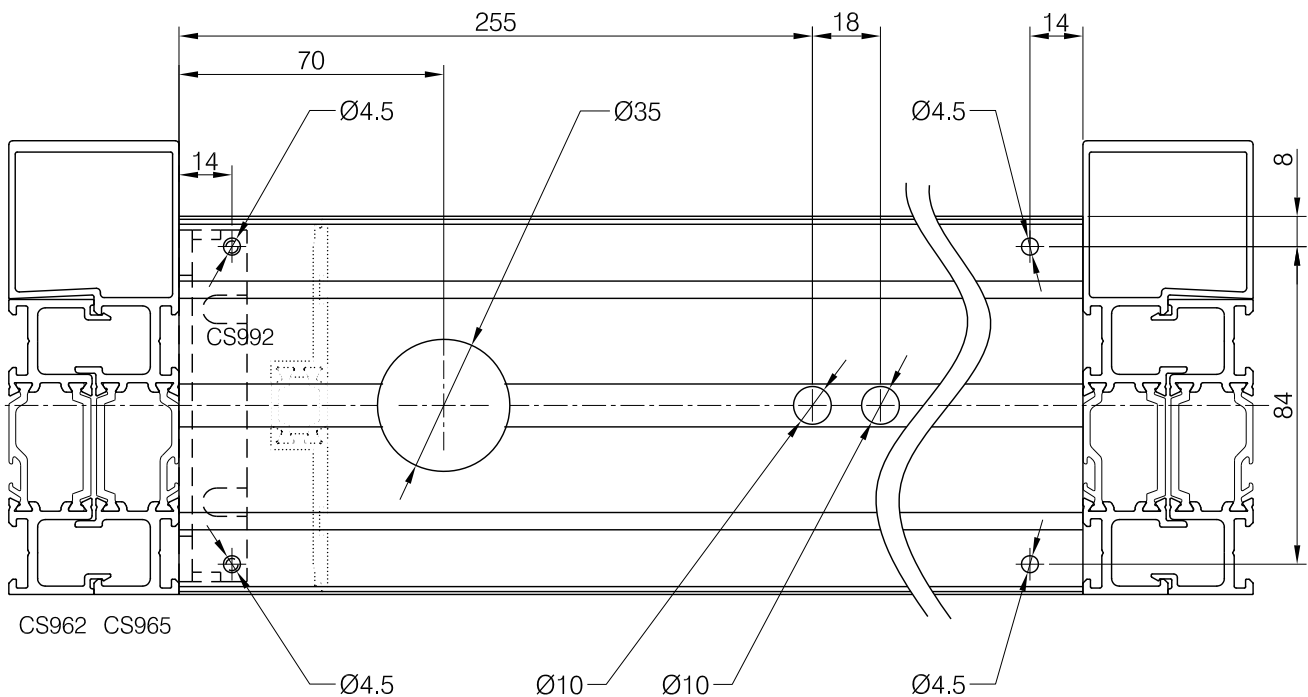
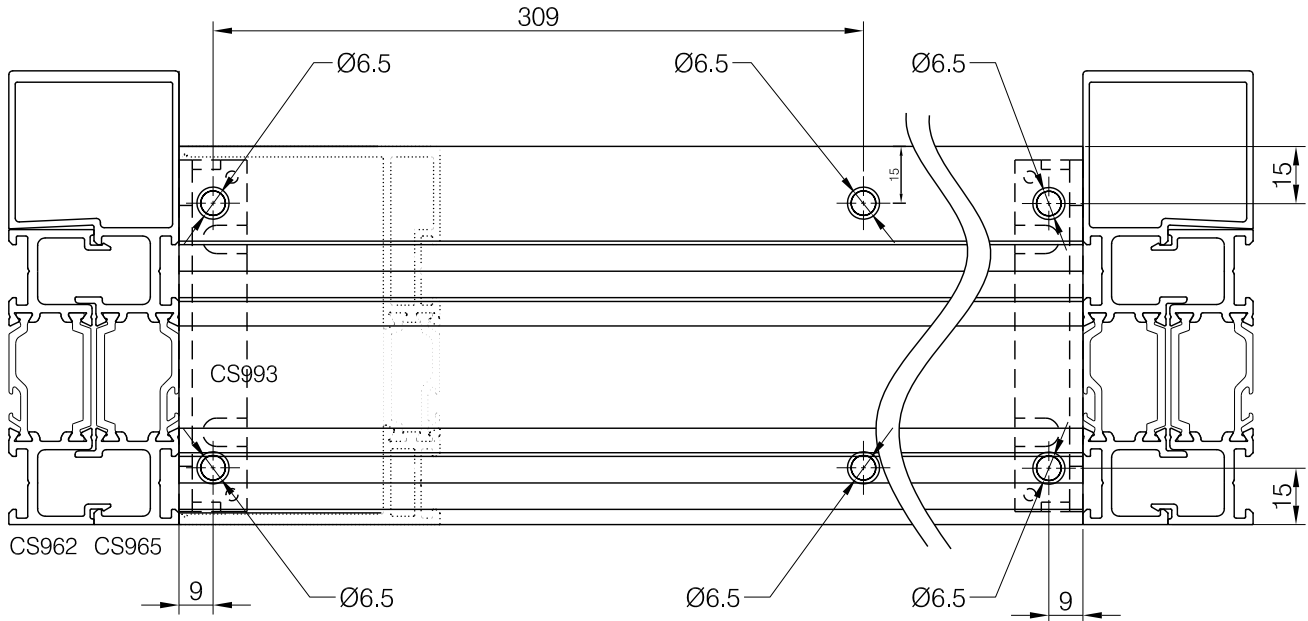


Copyright & ownership of this drawing is vested in COMAR Architectural Aluminium Systems, whose prior written consent is required for its use, reproduction or publication to any third party. All other rights reserved. Subject to modifications without prior notification

THE PARKSIDE GROUP LTD  
UNIT 5 ° THE WILLOW CENTRE  
17 WILLOW LANE ° MITCHAM  
SURREY ° CR4 4NX  
Tel: 020-8685 9685 Fax: 020-8687 1142  
Email: [technical@parksidegrp.co.uk](mailto:technical@parksidegrp.co.uk)  
Web Site: <http://www.comar-alu.co.uk>

SCALE	1:1	@ A4
DATE	25/04/17	
DRAWN	KD	
DRG. No.	C7Pi-CD-3.12.2 R0	

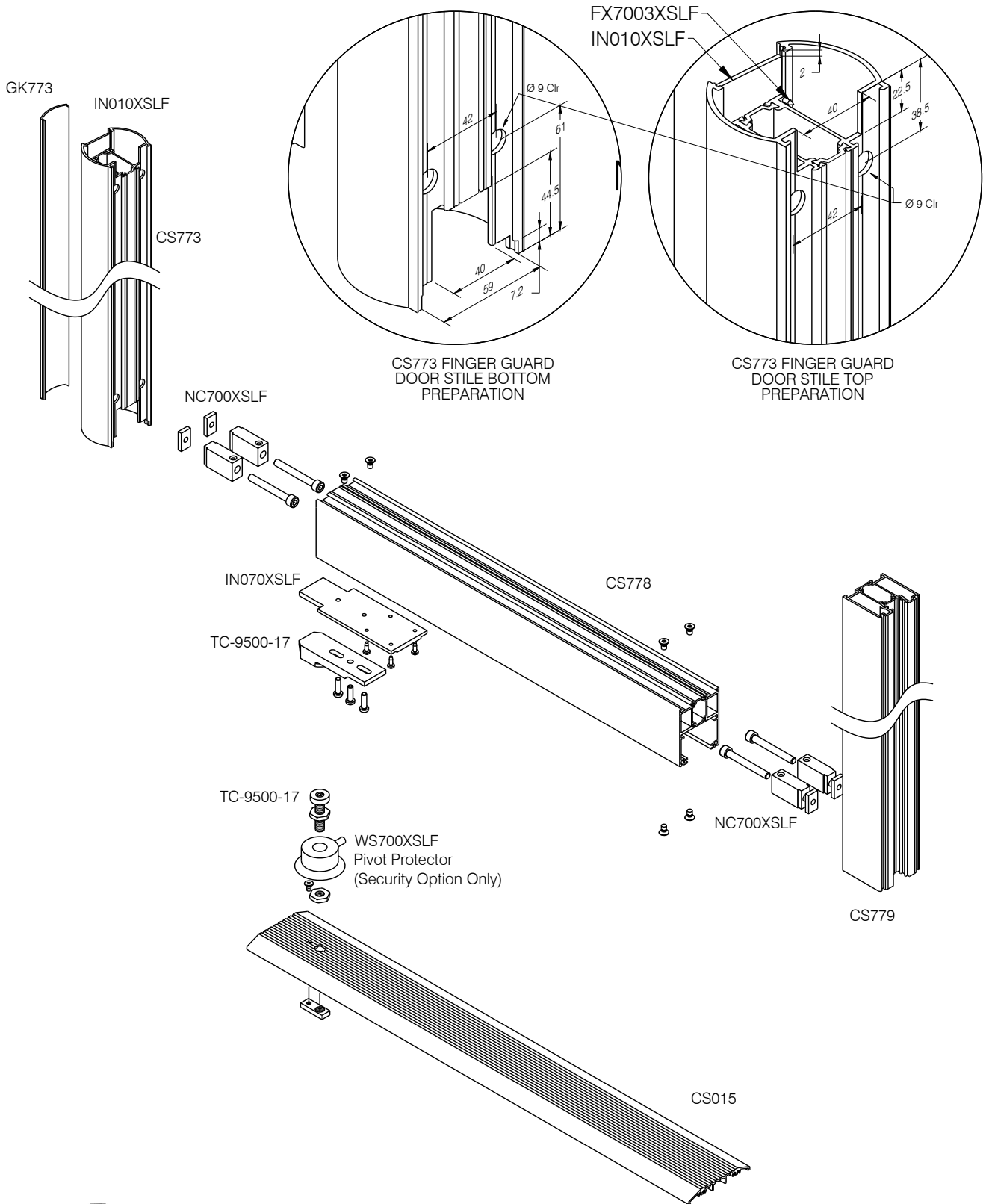
HEADER BAR/PLATE HOLE POSITIONS FOR  
AXIM TRANSOM SUPPORT BRACKETS  
USE COM7-JIG1



Copyright & ownership of this drawing is vested in COMAR Architectural Aluminium Systems, whose prior written consent is required for its use, reproduction or publication to any third party. All other rights reserved. Subject to modifications without prior notification



SCALE	1:1	© A4
DATE	01/06/11	
DRAWN	VM / CAD	
DRG. No.	C7Pi-CD-3.13	R0

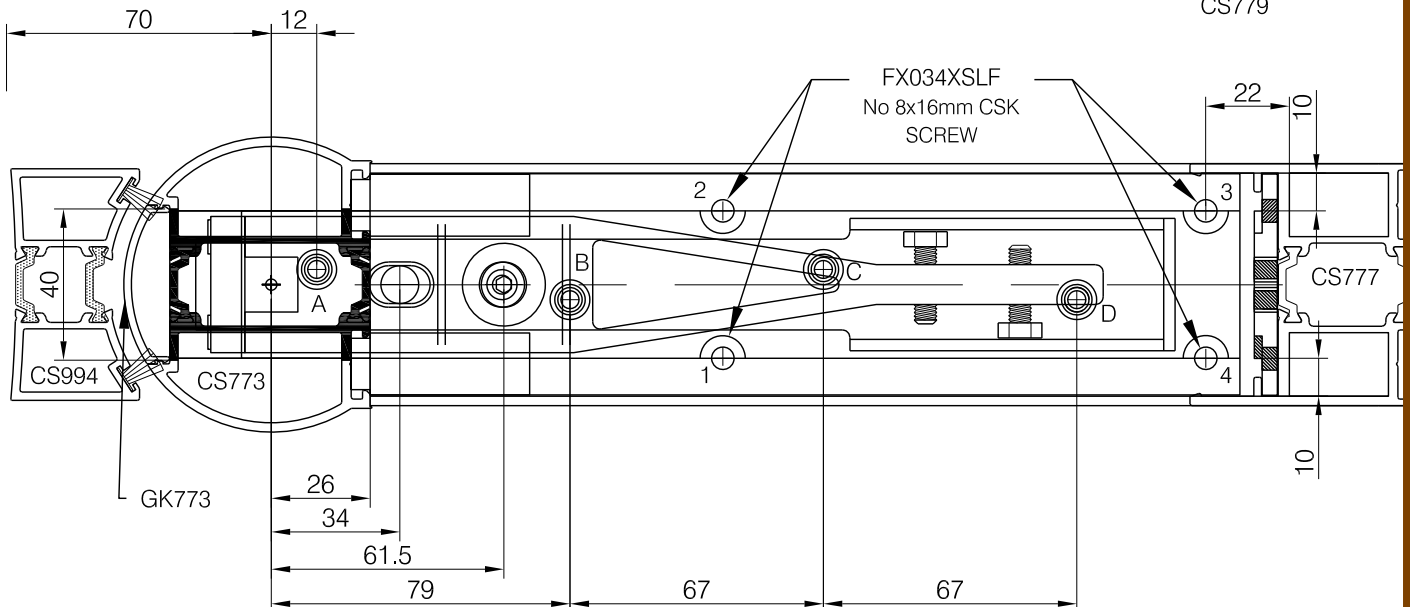
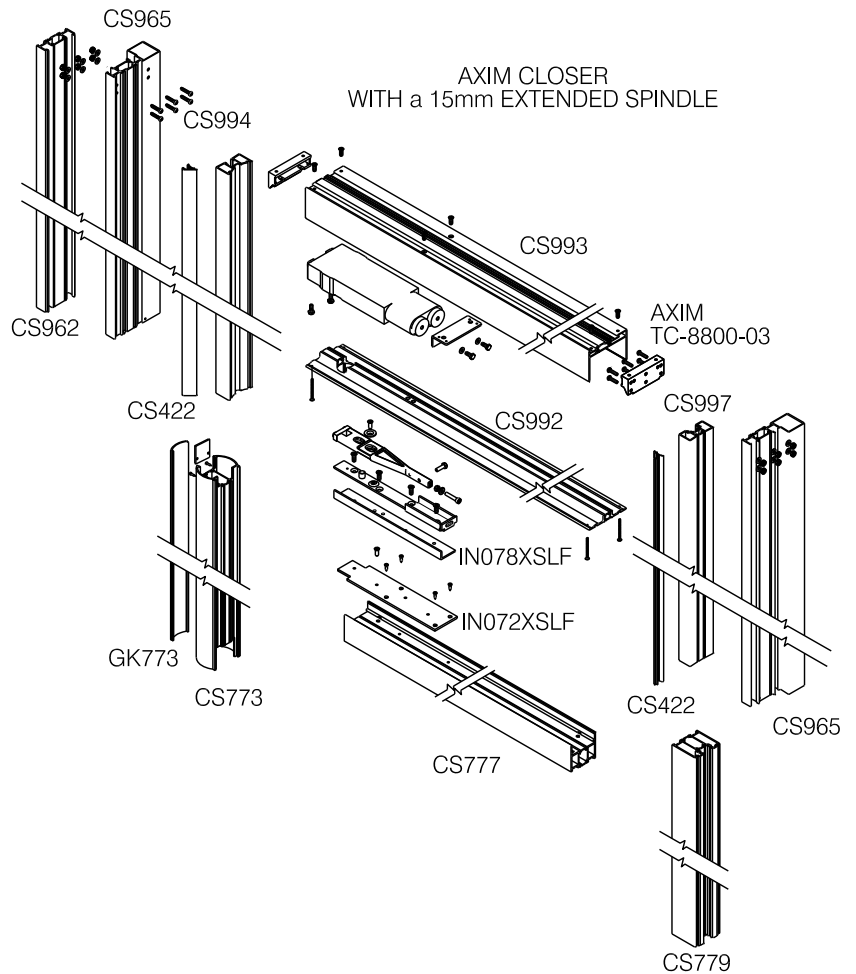


Copyright & ownership of this drawing is vested in COMAR Architectural Aluminium Systems, whose prior written consent is required for its use, reproduction or publication to any third party. All other rights reserved. Subject to modifications without prior notification

PLEASE NOTE: ALL PREPS FOR CS773 SHOULD BE DONE PRIOR TO FRAME ASSEMBLY.

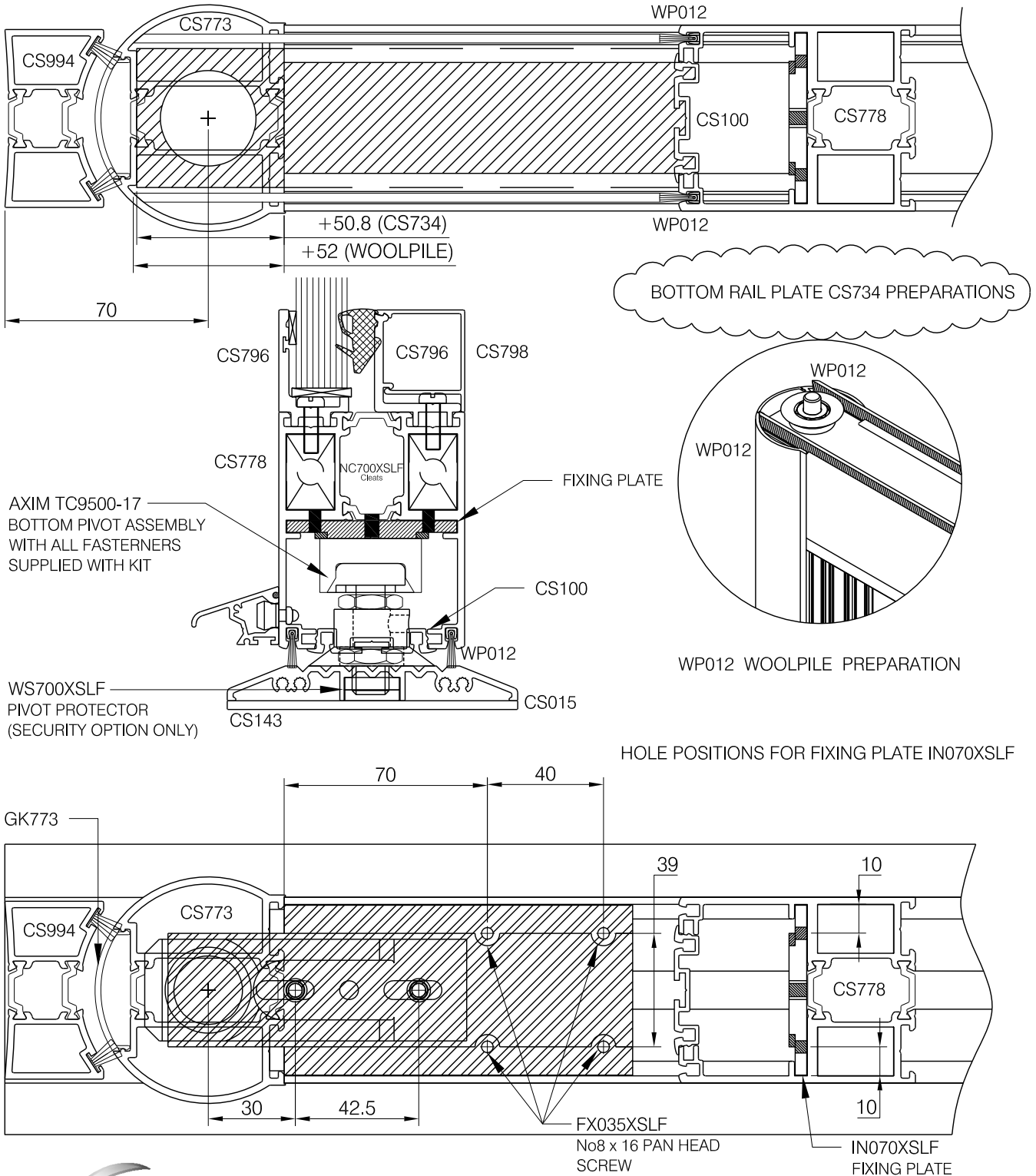
**ASSEMBLY:**

1. IN072XSLF SLIDES IN TO CS777 PRIOR TO LEAF ASSEMBLY.
2. COUNTERSINK HOLES 1-4 IN IN072XSLF. USING CENTER PUNCH MARK HOLES 1-4 & B,C,D. REMOVE IN072XSLF AND DRILL HOLES 1-4 FOR N8 FX034XSLF SCREWS. DRILL HOLES B,C,D USING 5MM DRILL BIT.
3. WHEN DOOR LEAF CORNERS ARE FIXED WITH CLEATS NC071XSLF/NC072XSLF SLIDE PLATE BACK & FIX IT TO CS777 WITH 4FX802XSLF SCREWS.
4. THEN FIX END LOAD ARM TC-8800-15 TO PLATE IN072XSLF USING SCREWS SUPPLIED IN KIT.
5. INSTALL TOP ARM PROTECTION ANGLE IN078XSLF BETWEEN IN072XSLF AND TOP ARM PLATE.



Copyright & ownership of this drawing is vested in COMAR Architectural Aluminium Systems, whose prior written consent is required for its use, reproduction or publication to any third party. All other rights reserved. Subject to modifications without prior notification.

SCALE	NTS	© A4
DATE	02/07/2019	
DRAWN	VM/NRA	
DRG. No.	C7Pi-CD-3.15 R3	



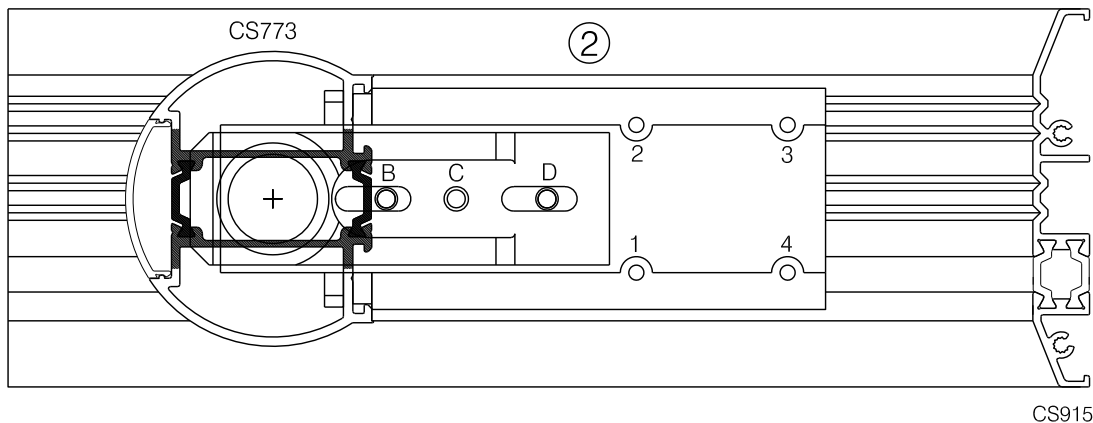
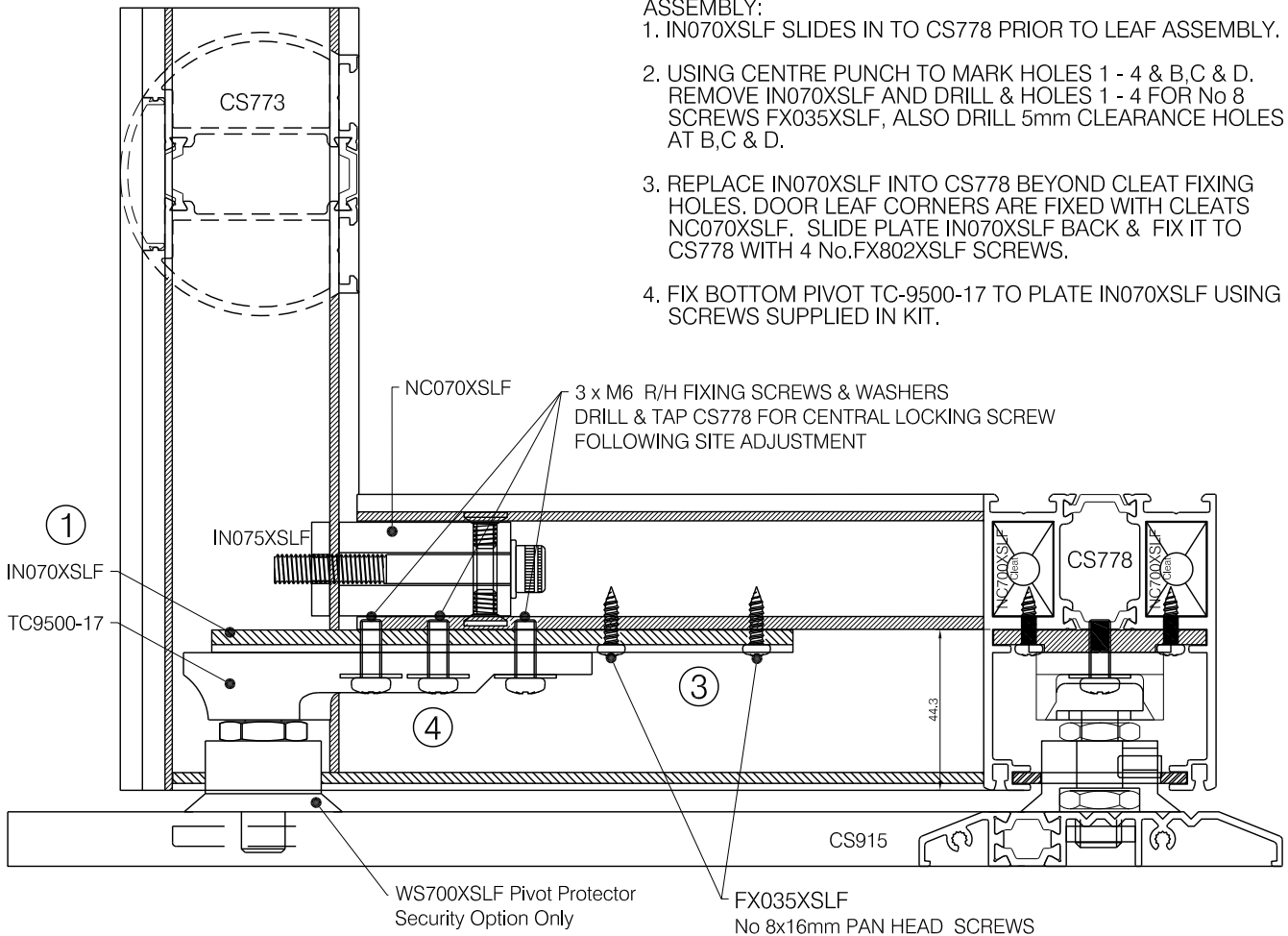
Copyright & ownership of this drawing is vested in COMAR Architectural Aluminium Systems, whose prior written consent is required for its use, reproduction or publication to any third party. All other rights reserved. Subject to modifications without prior notification

SCALE	1:1	© A4
DATE	02/07/2019	
DRAWN	VM / NRA	
DRG. No.	C7Pi-CD-3.16 R2	

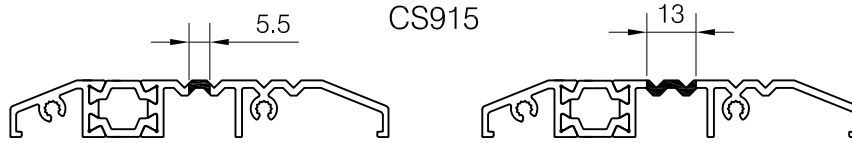
PLEASE NOTE: ALL PREPS FOR CS773 SHOULD BE DONE PRIOR TO FRAME ASSEMBLY.

**ASSEMBLY:**

1. IN070XSFL SLIDES IN TO CS778 PRIOR TO LEAF ASSEMBLY.
2. USING CENTRE PUNCH TO MARK HOLES 1 - 4 & B,C & D. REMOVE IN070XSFL AND DRILL & HOLES 1 - 4 FOR No 8 SCREWS FX035XSFL, ALSO DRILL 5mm CLEARANCE HOLES AT B,C & D.
3. REPLACE IN070XSFL INTO CS778 BEYOND CLEAT FIXING HOLES. DOOR LEAF CORNERS ARE FIXED WITH CLEATS NC070XSFL. SLIDE PLATE IN070XSFL BACK & FIX IT TO CS778 WITH 4 No.FX802XSFL SCREWS.
4. FIX BOTTOM PIVOT TC-9500-17 TO PLATE IN070XSFL USING SCREWS SUPPLIED IN KIT.

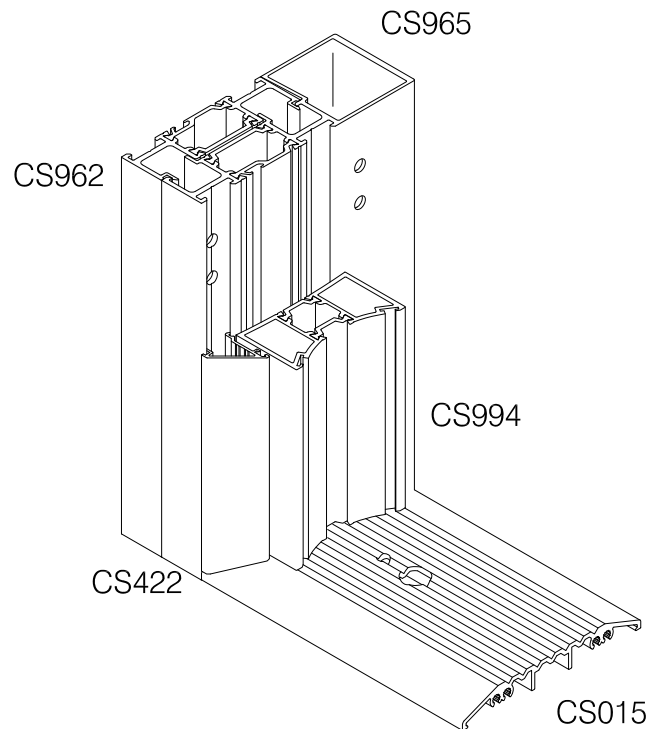
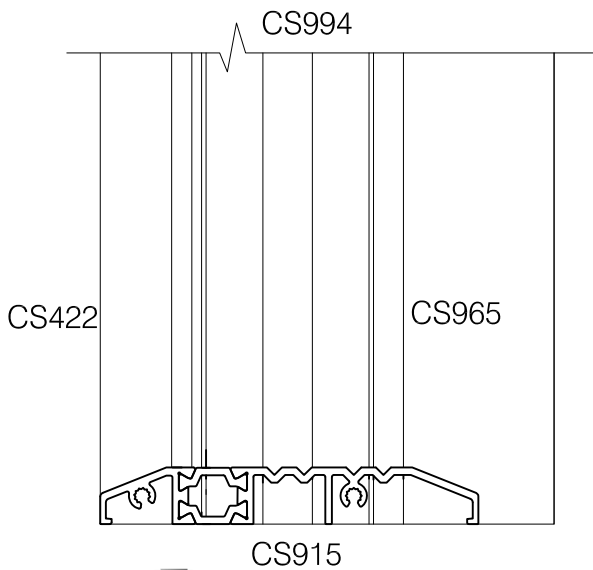
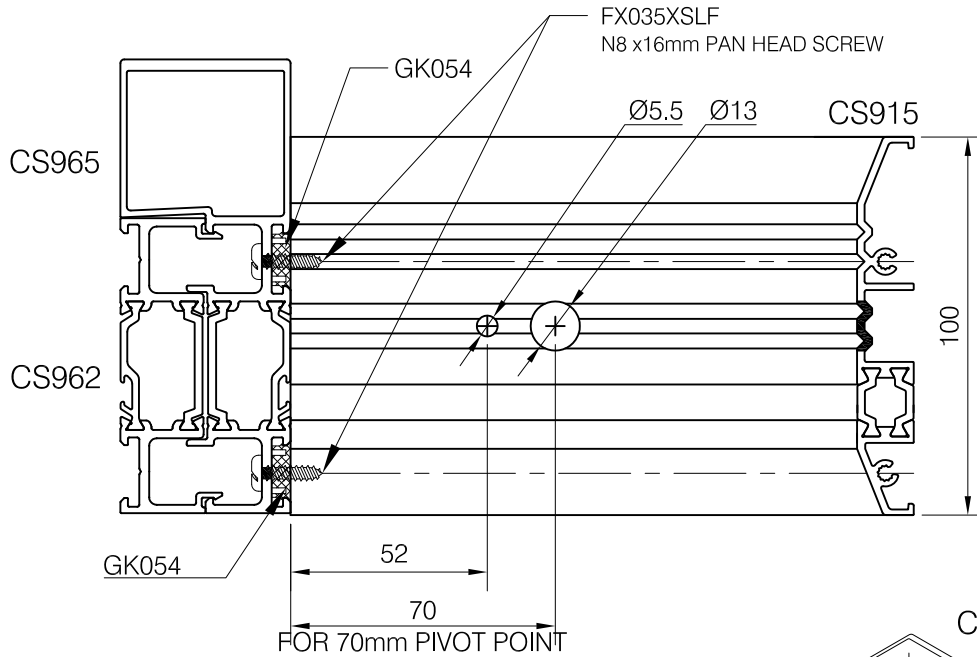


Copyright & ownership of this drawing is vested in COMAR Architectural Aluminium Systems, whose prior written consent is required for its use, reproduction or publication to any third party. All other rights reserved. Subject to modifications without prior notification



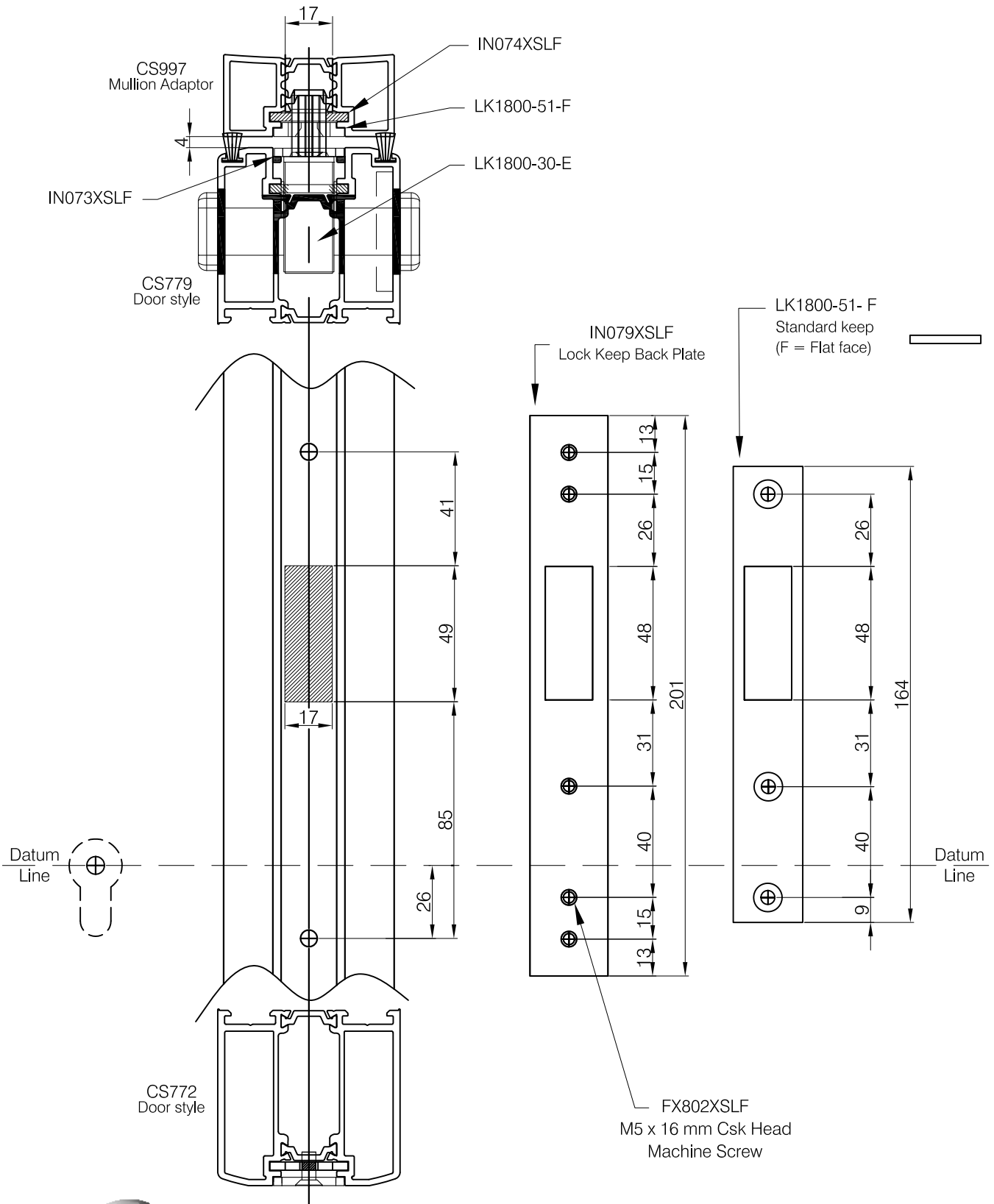
USE TOOL 13 STATION 2 TO  
PUNCH 5.5mm HOLE IN CS915

USE TOOL 13 STATION 4 TO  
PUNCH 13mm HOLE IN CS915



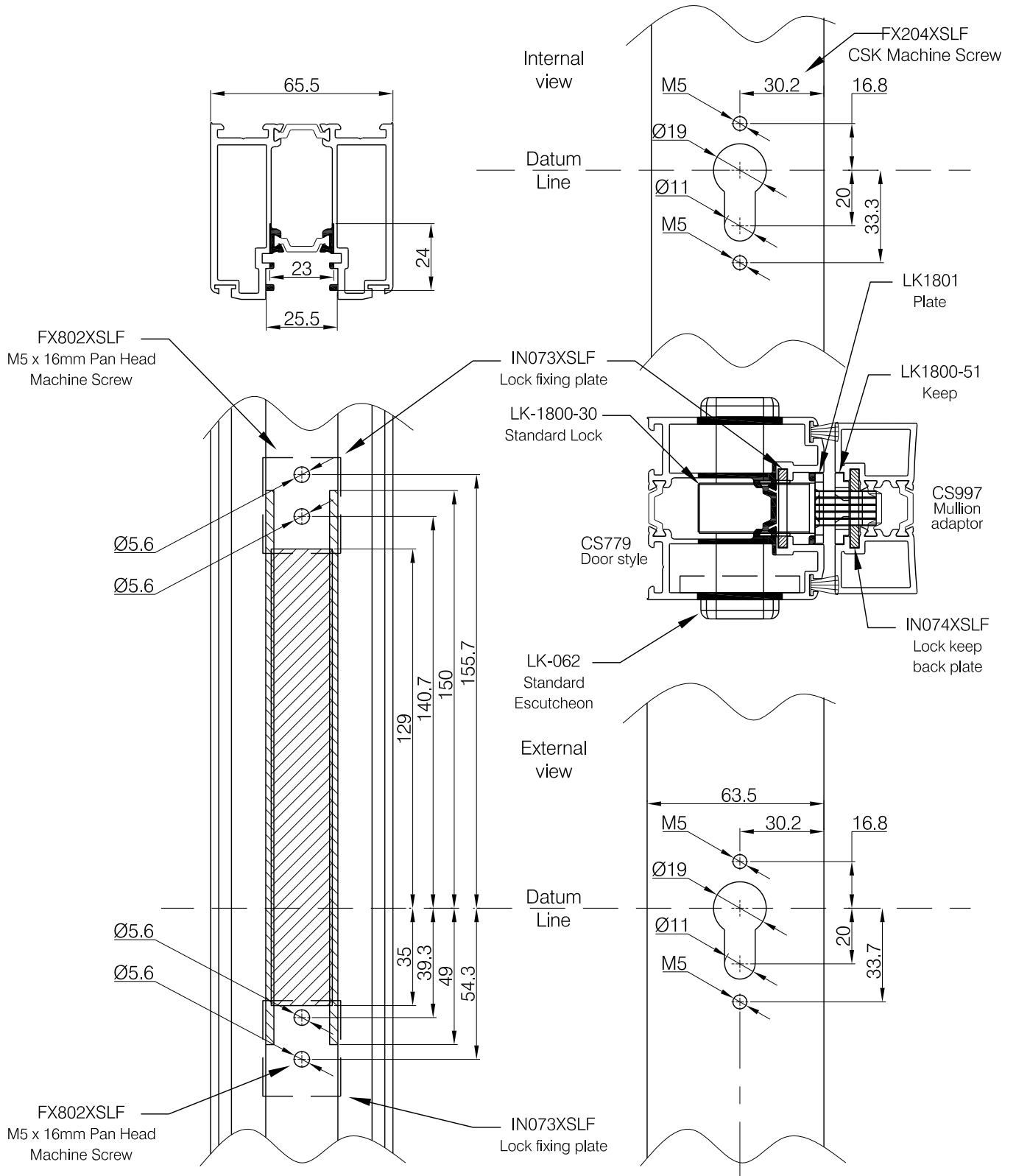
Copyright & ownership of this drawing is vested in COMAR Architectural Aluminium Systems, whose prior written consent is required for its use, reproduction or publication to any third party. All other rights reserved. Subject to modifications without prior notification



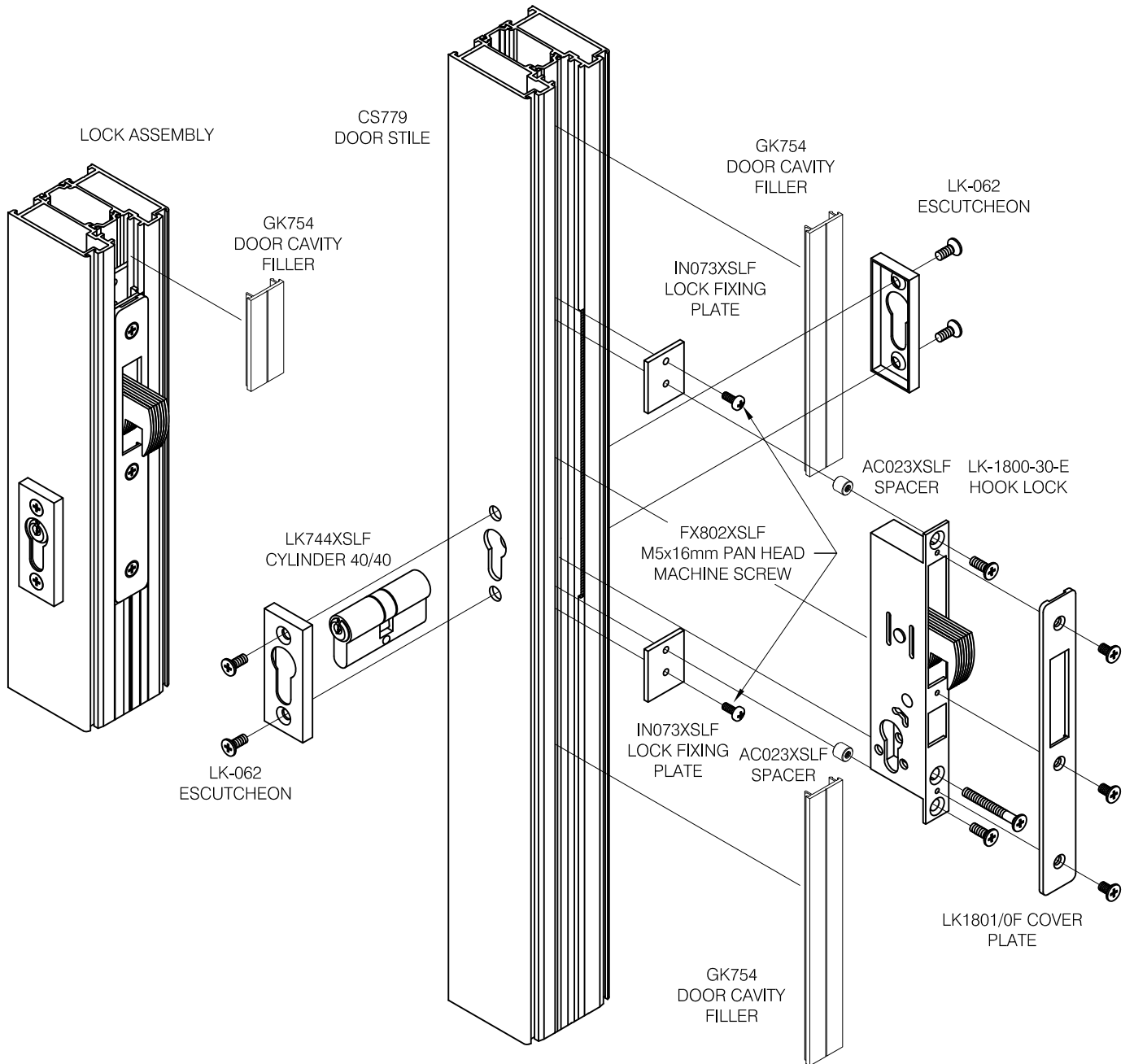


Copyright & ownership of this drawing is vested in COMAR Architectural Aluminium Systems, whose prior written consent is required for its use, reproduction or publication to any third party. All other rights reserved. Subject to modifications without prior notification

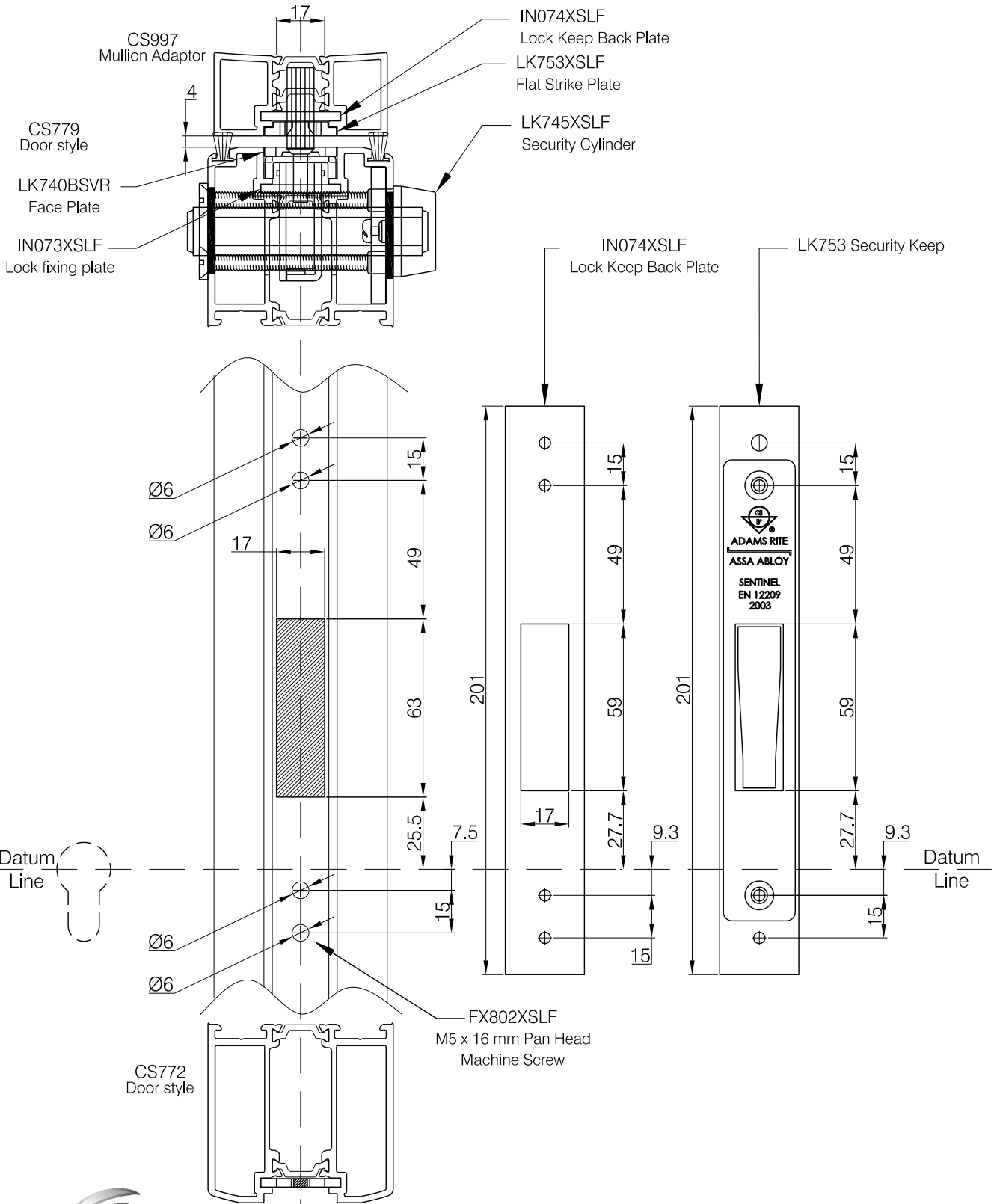
SCALE	1: 2	@ A4
DATE	28/03/17	
DRAWN	VM/KD	
DRG. No.	C7Pi-CD-3.19	R2



Copyright & ownership of this drawing is vested in COMAR Architectural Aluminium Systems, whose prior written consent is required for its use, reproduction or publication to any third party. All other rights reserved. Subject to modifications without prior notification.

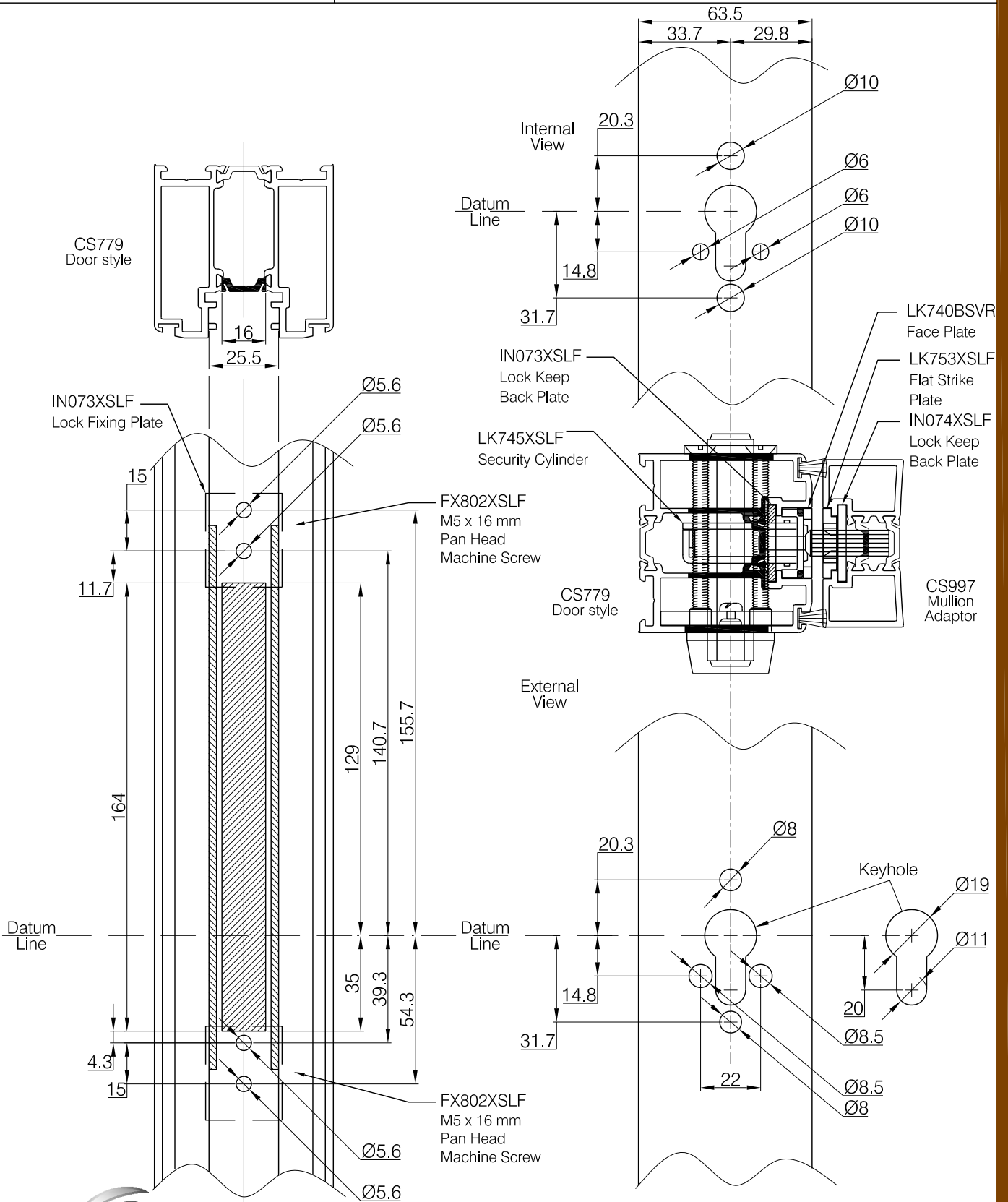


Copyright & ownership of this drawing is vested in COMAR Architectural Aluminium Systems, whose prior written consent is required for its use, reproduction or publication to any third party. All other rights reserved. Subject to modifications without prior notification



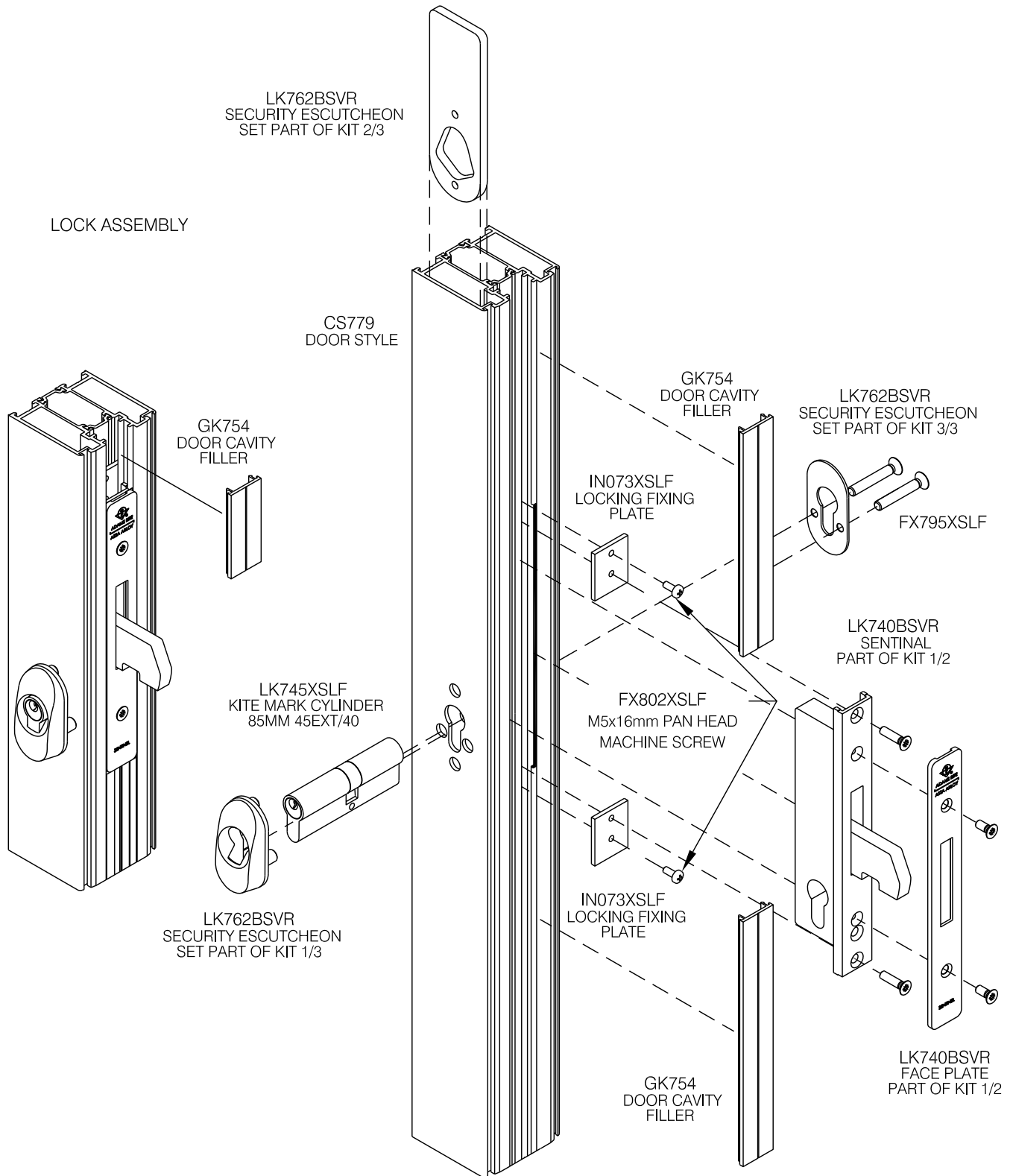
Copyright & ownership of this drawing is vested in COMAR Architectural Aluminium Systems, whose prior written consent is required for its use, reproduction or publication to any third party. All other rights reserved. Subject to modifications without prior notification

SCALE	1: 2	© A4
DATE	06/12/2019	
DRAWN	VM/KP/BB	
DRG. No.	C7Pi-CD-3.22 R3	



Copyright & ownership of this drawing is vested in COMAR Architectural Aluminium Systems, whose prior written consent is required for its use, reproduction or publication to any third party. All other rights reserved. Subject to modifications without prior notification

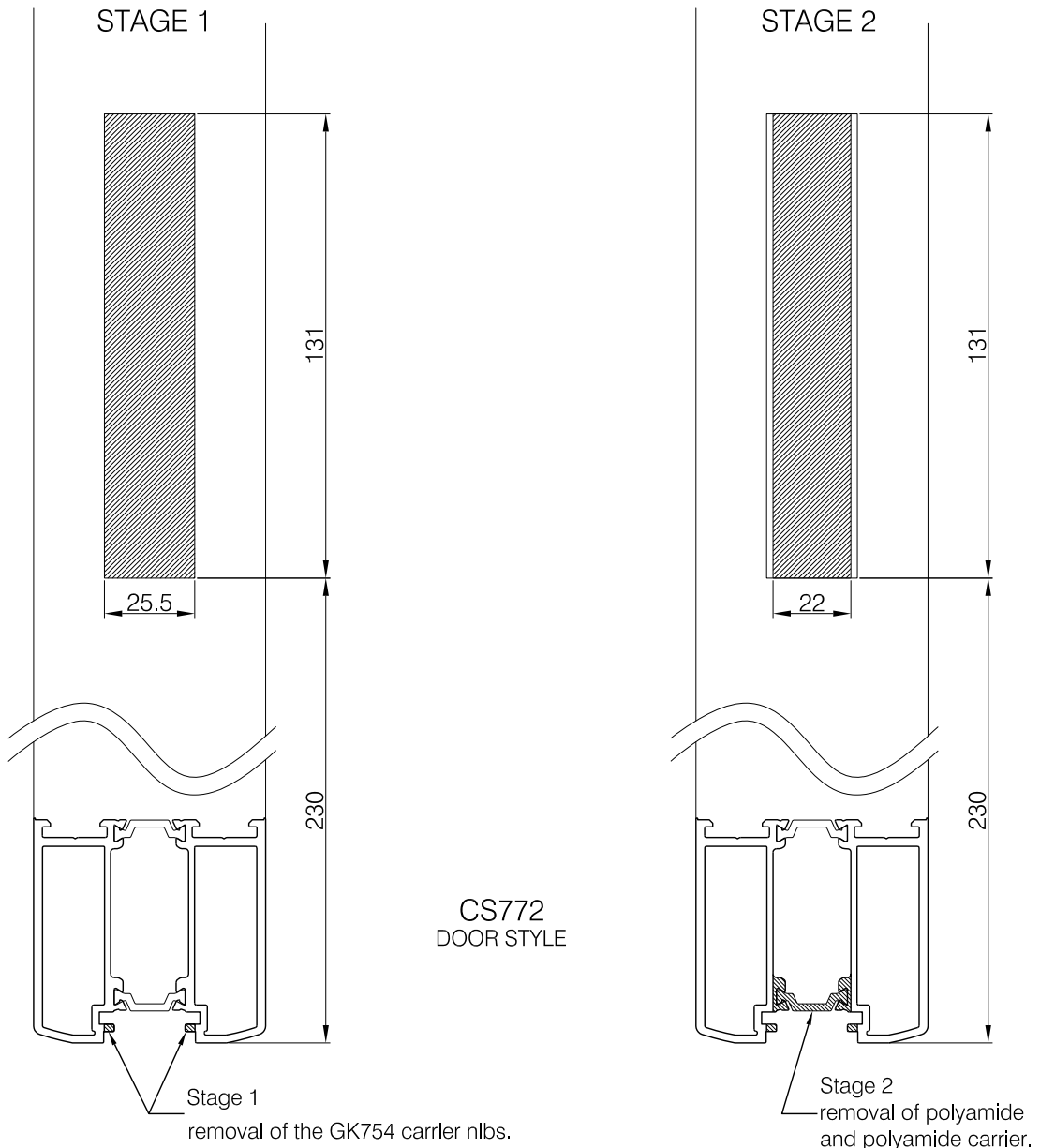
SCALE	1: 2	© A4
DATE	06/12/2019	
DRAWN	VM/KP/BB	
DRG. No.	C7Pi-CD-3.23 R3	

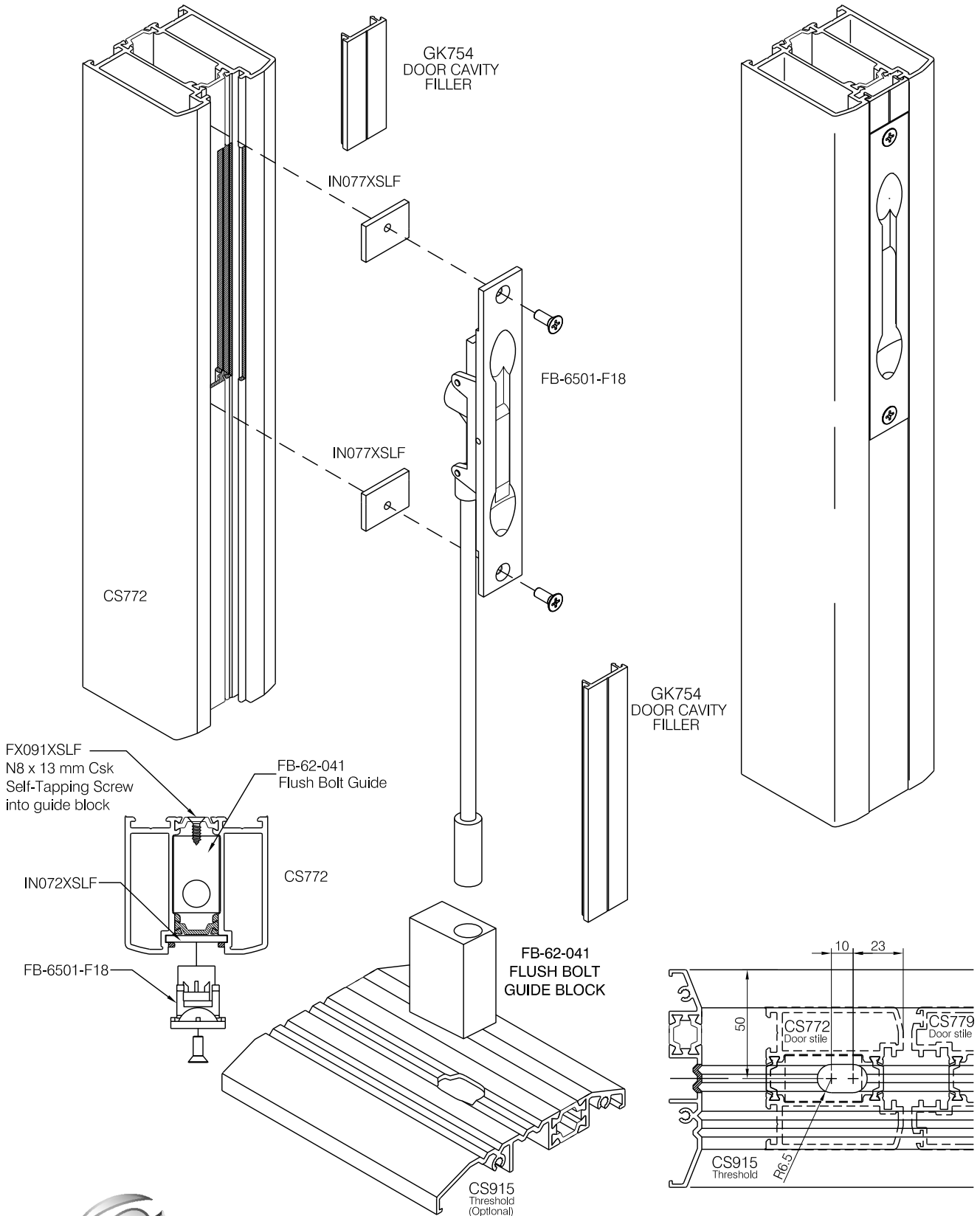


Copyright & ownership of this drawing is vested in COMAR Architectural Aluminium Systems, whose prior written consent is required for its use, reproduction or publication to any third party. All other rights reserved. Subject to modifications without prior notification.



SCALE	NTS	© A4
DATE	01/06/11	
DRAWN	VM / CAD	
DRG. No.	C7Pi-CD-3.24 RO	



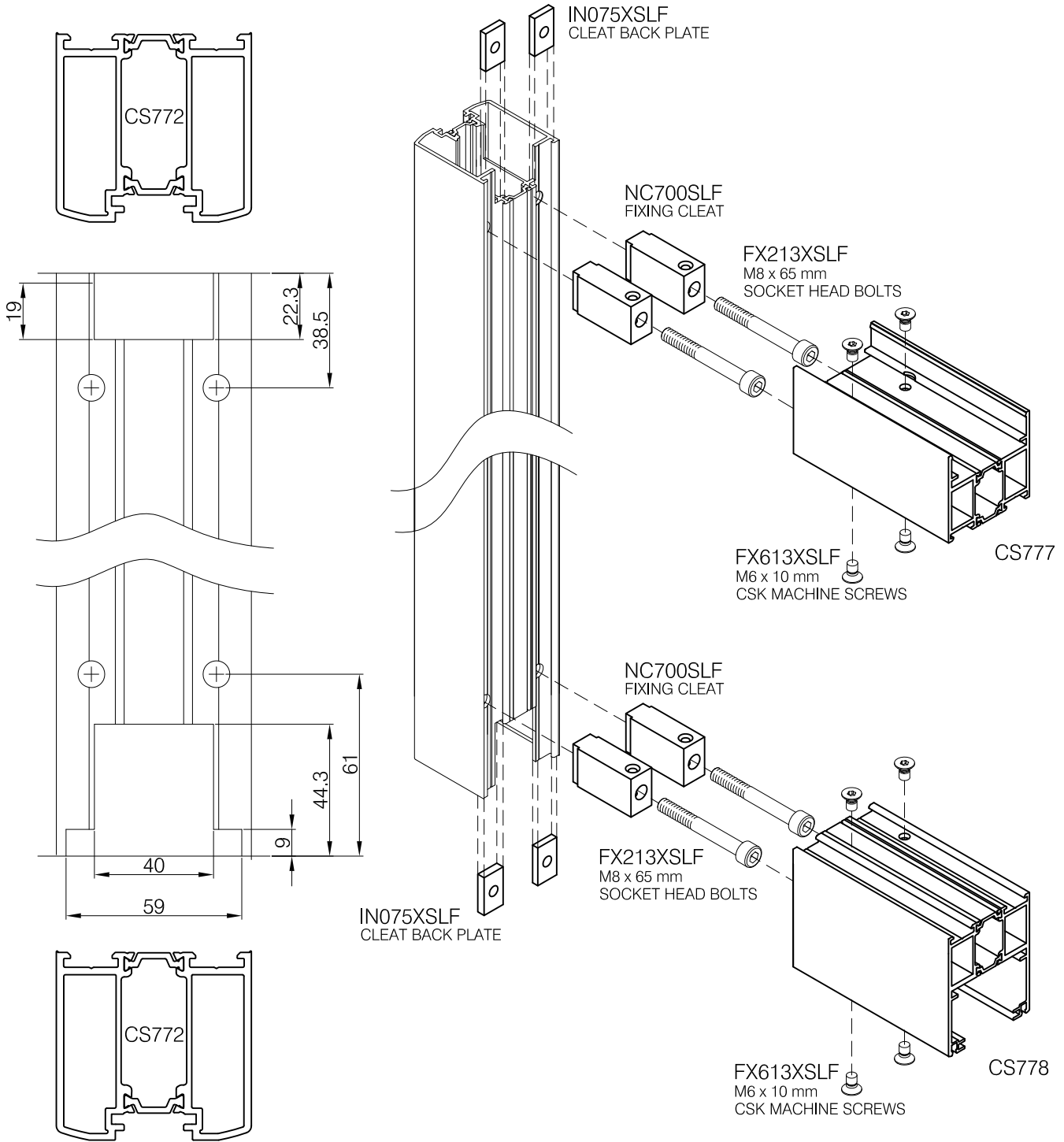


Copyright & ownership of this drawing is vested in COMAR Architectural Aluminium Systems, whose prior written consent is required for its use, reproduction or publication to any third party. All other rights reserved. Subject to modifications without prior notification



SCALE	NTS	© A4
DATE	03/09/2020	
DRAWN	VM/NRA	
DRG. No.	C7Pi-CD-3.26 R2	





SCALE	NTS	© A4
DATE	24/04/17	
DRAWN	KP / KD	
DRG. No.	C7Pi-CD-3.26.1 R0	

comar 7P.i

TITLE  
**POLYAMIDE INSULATED DOORS  
COMAR 7Pi COMMERCIAL DOOR**

SHEET No.  
**3.26.2**

SUB TITLE  
**INTENTIONALLY BLANK**



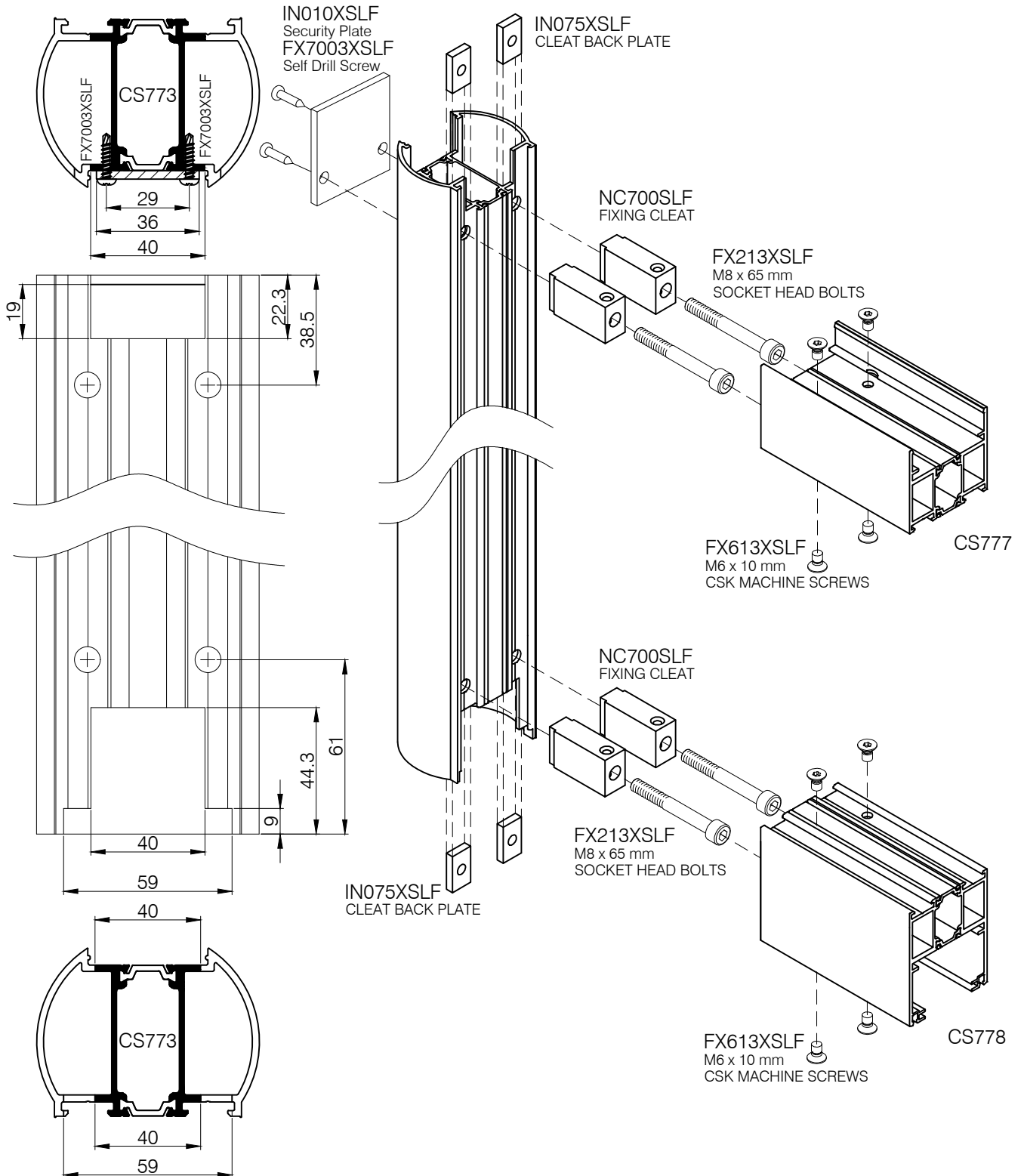
**comar**  
ARCHITECTURAL ALUMINIUM SYSTEMS



Copyright & ownership of this drawing is vested in COMAR Architectural Aluminium Systems, whose prior written consent is required for its use, reproduction or publication to any third party. All other rights reserved. Subject to modifications without prior notification

THE PARKSIDE GROUP LTD  
UNIT 5 ° THE WILLOW CENTRE  
17 WILLOW LANE ° MITCHAM  
SURREY ° CR4 4NX  
Tel: 020-8685 9685 Fax: 020-8687 1142  
Email: [technical@parksidegrp.co.uk](mailto:technical@parksidegrp.co.uk)  
Web Site: <http://www.comar-alu.co.uk>

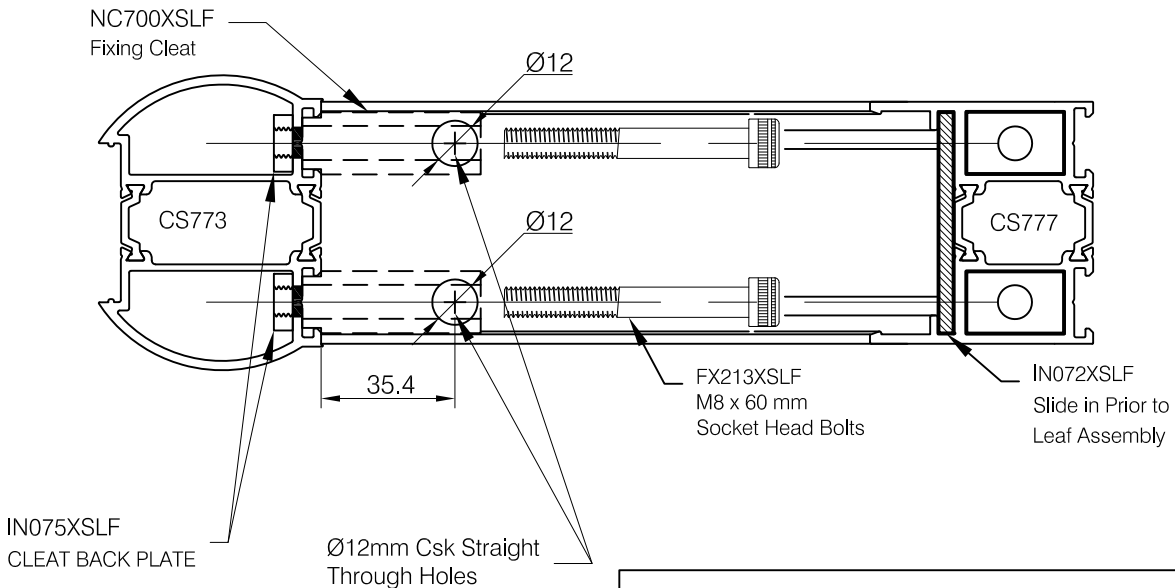
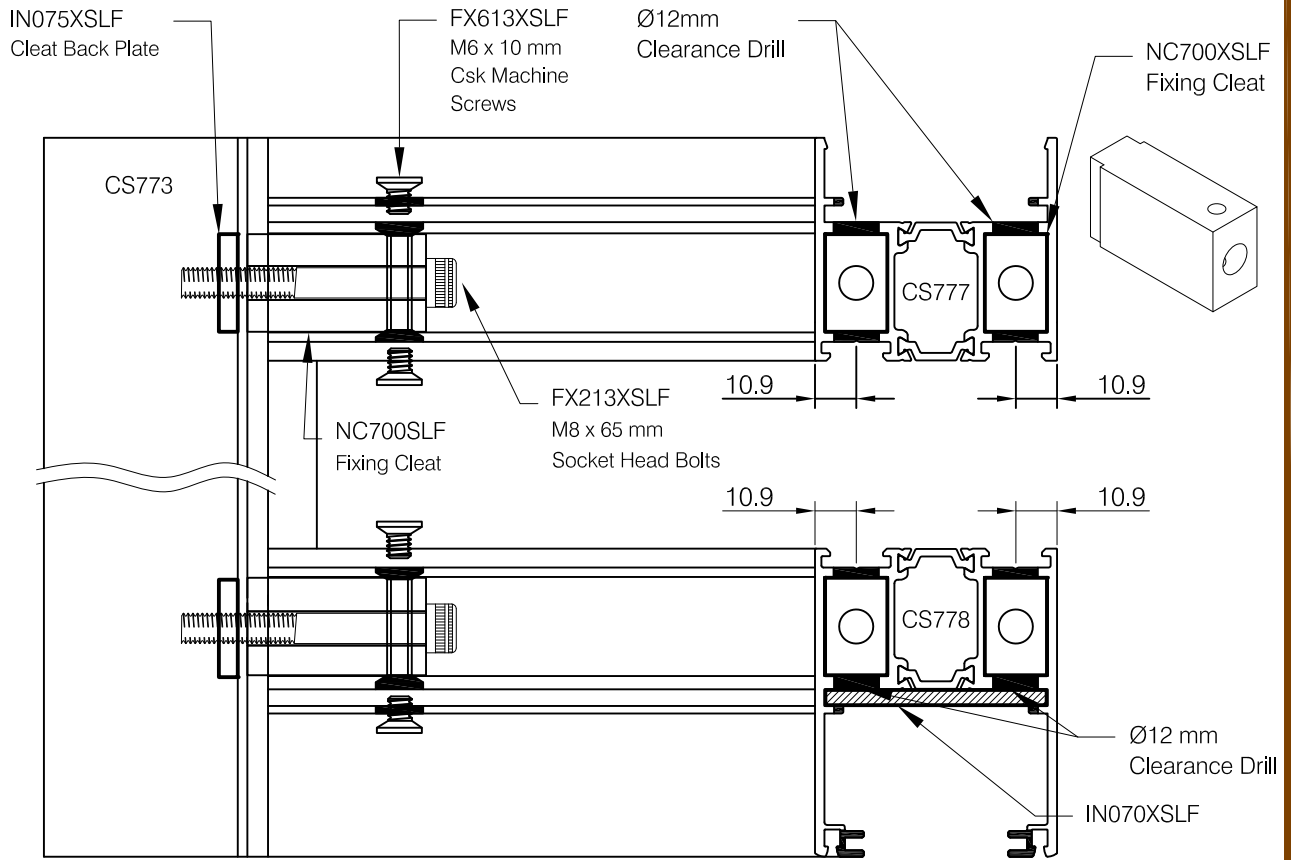
SCALE	NTS	@ A4
DATE	03/05/17	
DRAWN	KD	
DRG. No.	C7Pi-CD-3.26.2	R0



Copyright & ownership of this drawing is vested in COMAR Architectural Aluminium Systems, whose prior written consent is required for its use, reproduction or publication to any third party. All other rights reserved. Subject to modifications without prior notification



SCALE	NTS	© A4
DATE	21/03/16	
DRAWN	KP/AMR	
DRG. No.	C7Pi-CD-3.27	R2

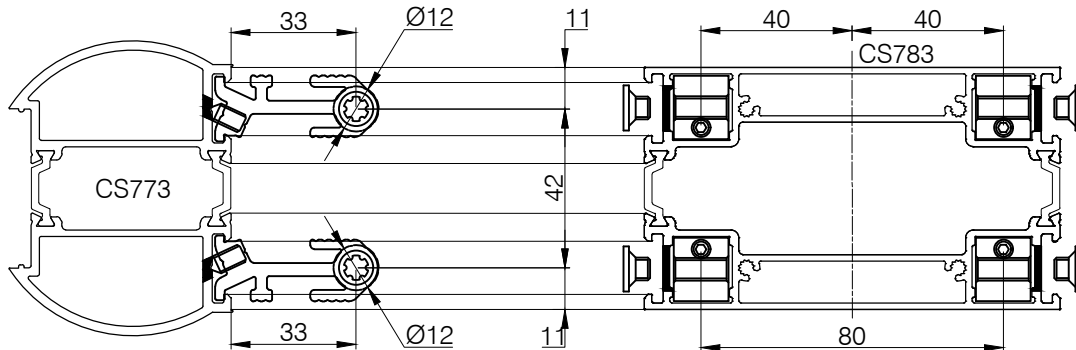
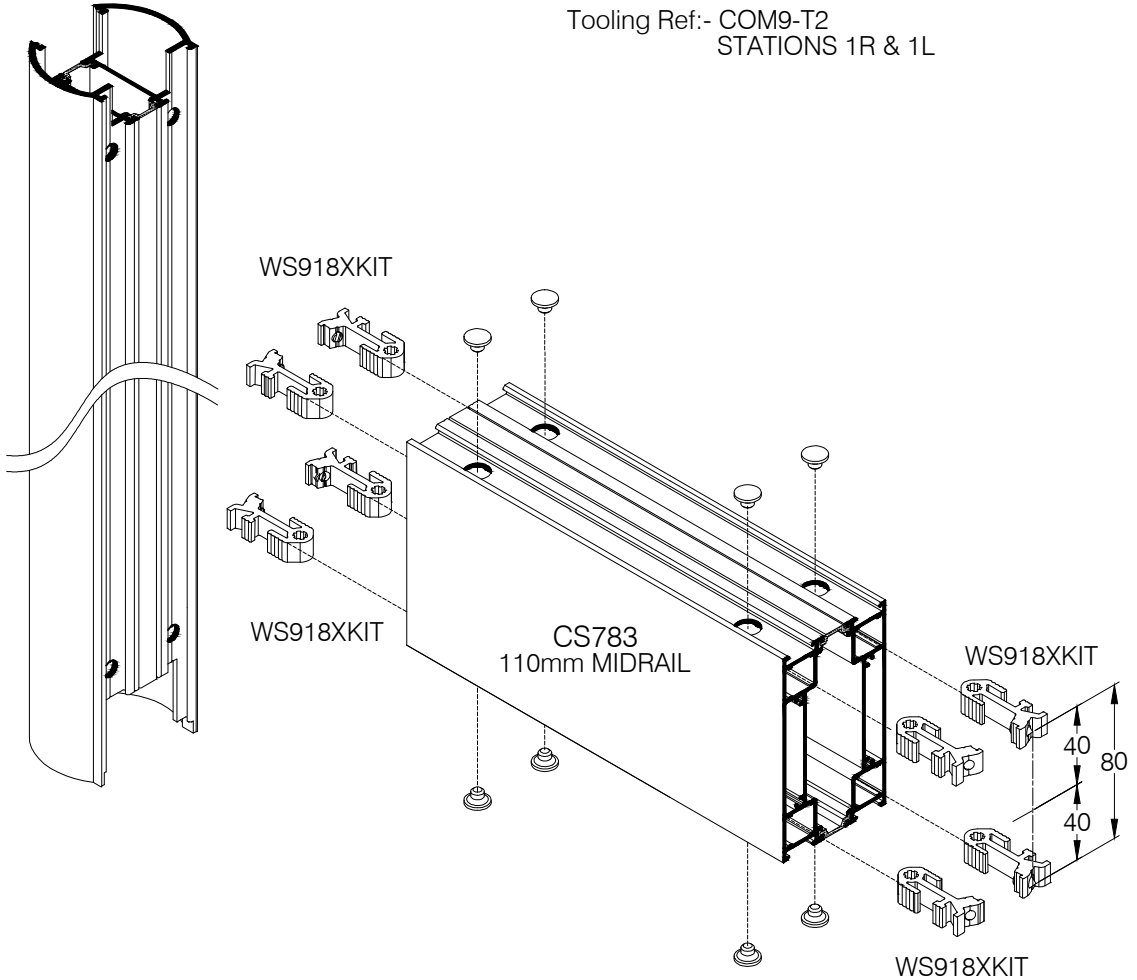


PLEASE NOTE: ALL PREPS FOR CS773,CS772 SHOULD BE DONE PRIOR TO LEAF ASSEMBLY. WP007, IN070 AND IN072 SHOULD BE SLID IN PRIOR TO LEAF ASSEMBLY

Copyright & ownership of this drawing is vested in COMAR Architectural Aluminium Systems, whose prior written consent is required for its use, reproduction or publication to any third party. All other rights reserved. Subject to modifications without prior notification

CS773  
FINGER GUARD  
DOOR STYLE

Tooling Ref:- COM9-T2  
STATIONS 1R & 1L



Copyright & ownership of this drawing is vested in COMAR Architectural Aluminium Systems, whose prior written consent is required for its use, reproduction or publication to any third party. All other rights reserved. Subject to modifications without prior notification

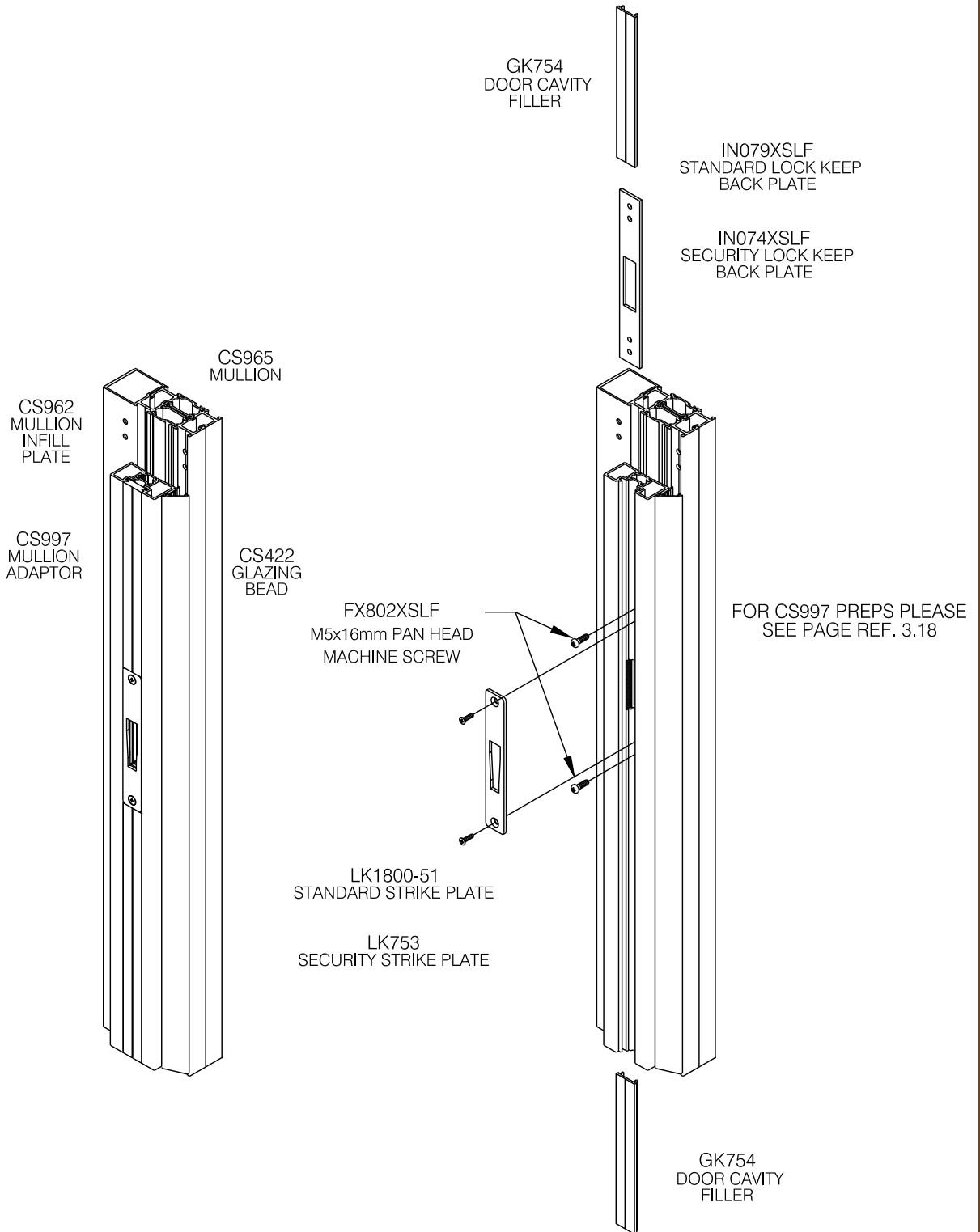


**comar**  
ARCHITECTURAL ALUMINIUM SYSTEMS

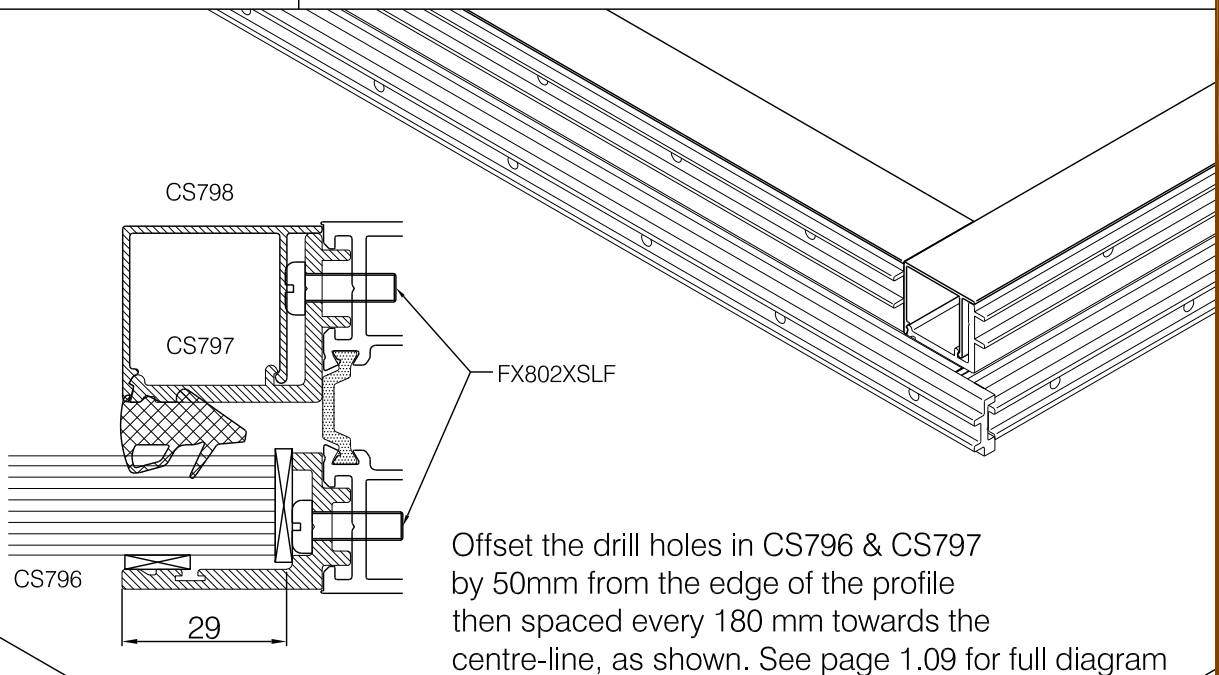


THE PARKSIDE GROUP LTD  
UNIT 5 ° THE WILLOW CENTRE  
17 WILLOW LANE ° MITCHAM  
SURREY ° CR4 4NX  
Tel: 020-8685 9685 Fax: 020-8687 1142  
Email: technical@parksidegrp.co.uk  
Web Site: <http://www.comar-alu.co.uk>

SCALE	NTS	© A4
DATE	21/03/16	
DRAWN	KP/AMR	
DRG. No.	C7Pi-CD-3.29 R2	

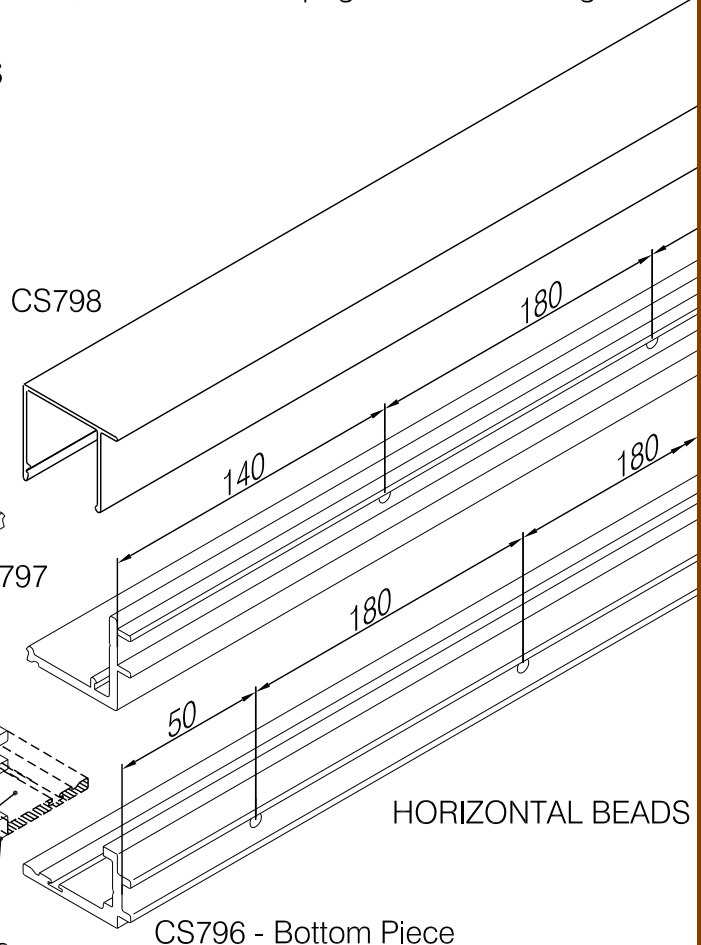
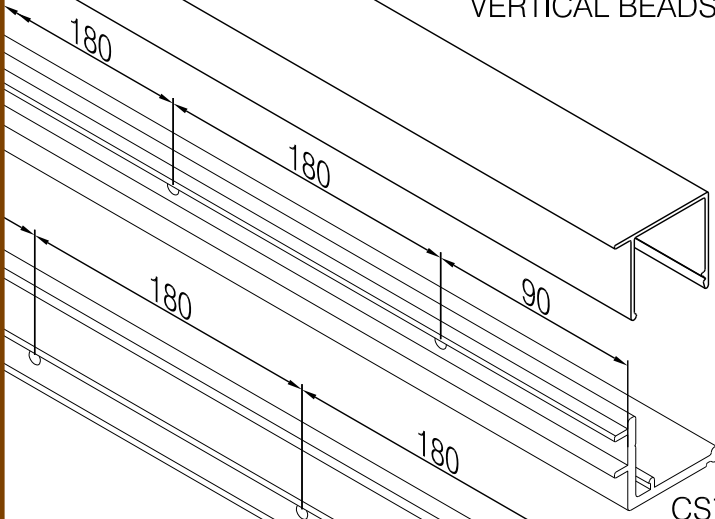


SCALE	NTS	© A4
DATE	06/12/2019	
DRAWN	VM/CAD/BB	
DRG. No.	C7Pi-CD-3.30 R1	

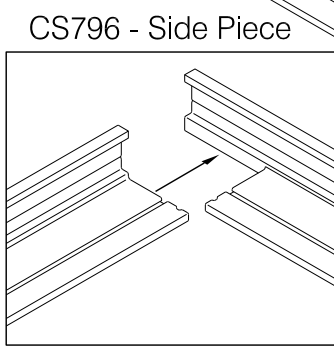


Offset the drill holes in CS796 & CS797 by 50mm from the edge of the profile then spaced every 180 mm towards the centre-line, as shown. See page 1.09 for full diagram

**VERTICAL BEADS**



**HORIZONTAL BEADS**



On CS796 side pieces notch out this piece only  
Fillet this sharp edge for a very tight fit

Copyright & ownership of this drawing is vested in COMAR Architectural Aluminium Systems, whose prior written consent is required for its use, reproduction or publication to any third party. All other rights reserved. Subject to modifications without prior notification

SCALE	NTS	© A4
DATE	06/12/2019	
DRAWN	VM/KP/BB	
DRG. No.	C7Pi-CD-3.31 R2	

Panic exit device,  
Concealed Vertical Rod, 42" bar.

Aluminium PR-7085-AL  
Bronze PR-7085-DU  
Black PR-7085-BK  
Green PR-7085-GRN

Accessories.

Crash bar 48"

Silver CB-748-AL  
Black CB-748-BK

Extension rod with coupler  
(300mm extension) RE-712

Rim cylinder lock for 67mm Door Stile  
with 7085 Panic Exit Device.  
Supplied with 2 keys. (keyed to differ)

Aluminium RC-791-AL

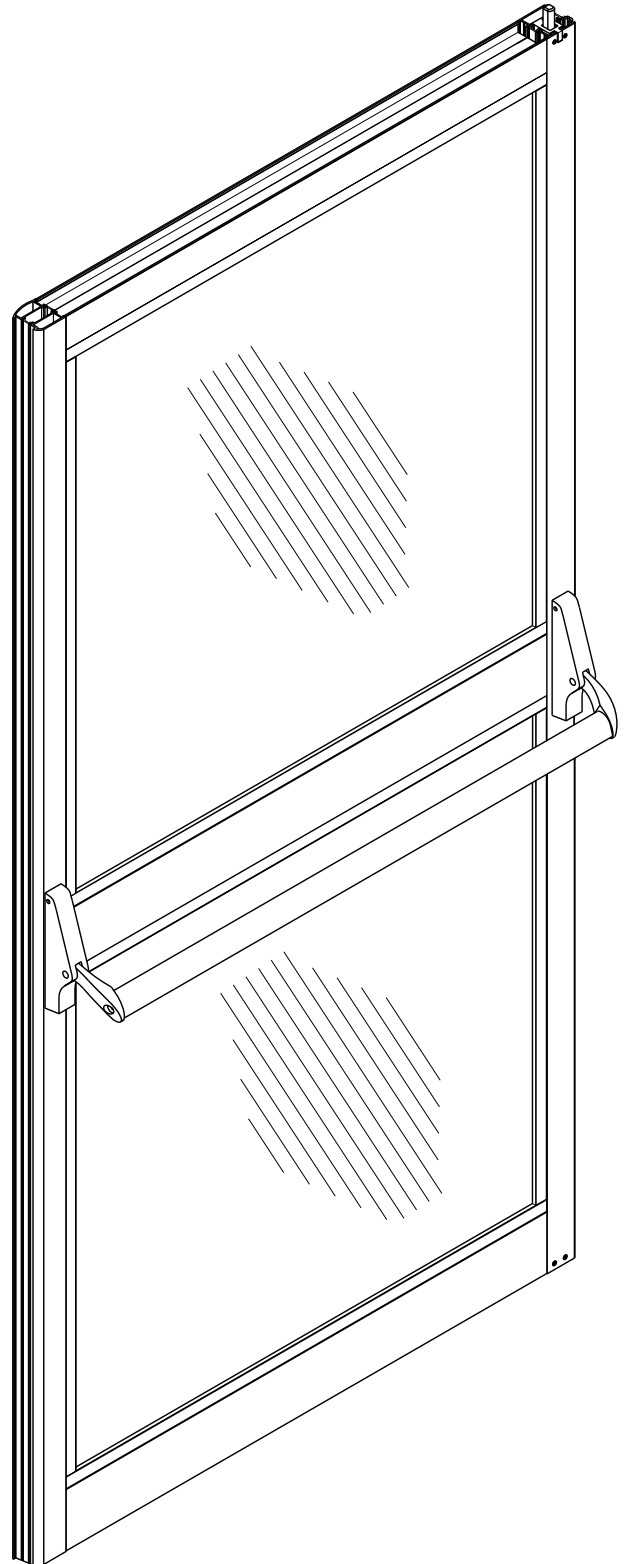
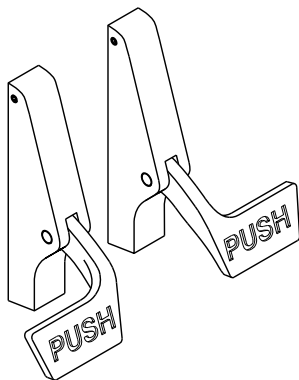
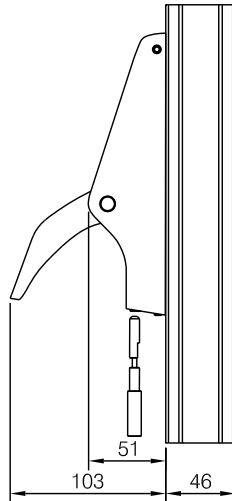
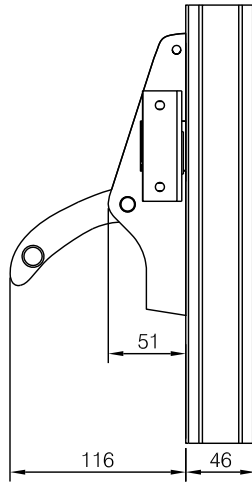
Rim cylinder lock for 67mm Door Stile with 7085  
Panic Exit Device  
Supplied with 2 keys. (keyed alike)

Aluminium RC-791-AL-S

Cylinder Mounting Pad with Locking Ring

Aluminium MP-792-AL

Exposed, knurled dogging pin  
Stainless steel DP-713



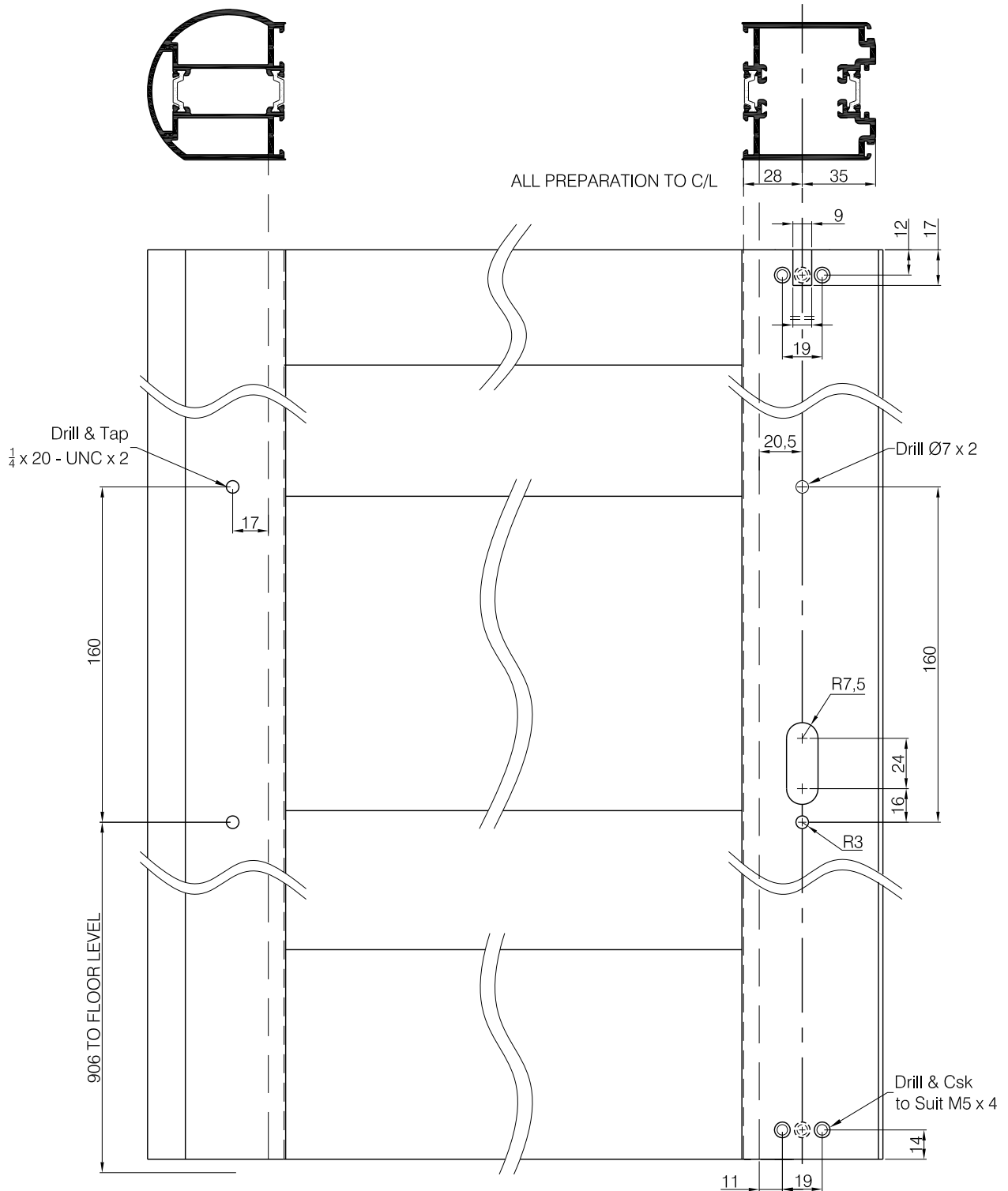
Alternative Paddle Handle  
Aluminium PR-7085-P-AL-RH (Right Handed)  
Aluminium PR-7085-P-AL-LH (Left Handed)

Copyright & ownership of this drawing is vested in COMAR Architectural Aluminium Systems, whose prior written consent is required for its use, reproduction or publication to any third party. All other rights reserved. Subject to modifications without prior notification



SCALE	N.T.S	© A4
DATE	25/09/14	
DRAWN	KP/CAD	
DRG. No.	C7Pi-CD-3.32	RO

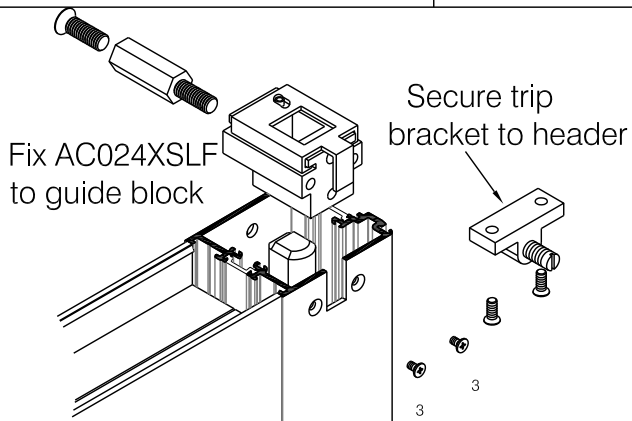




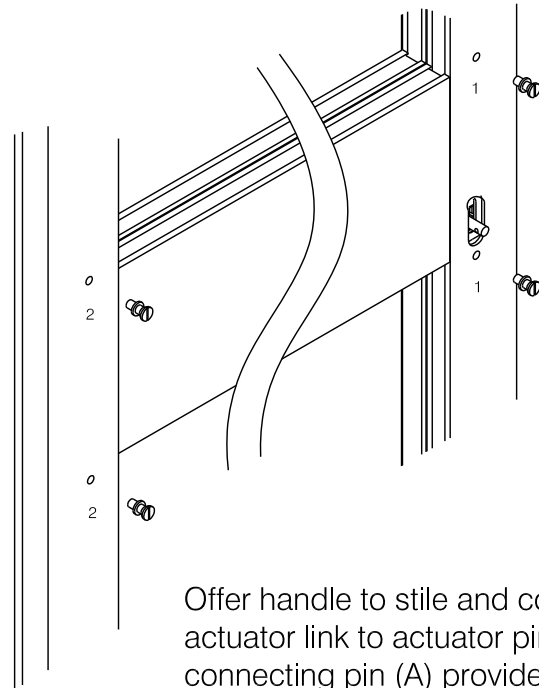
Copyright & ownership of this drawing is vested in COMAR Architectural Aluminium Systems, whose prior written consent is required for its use, reproduction or publication to any third party. All other rights reserved. Subject to modifications without prior notification



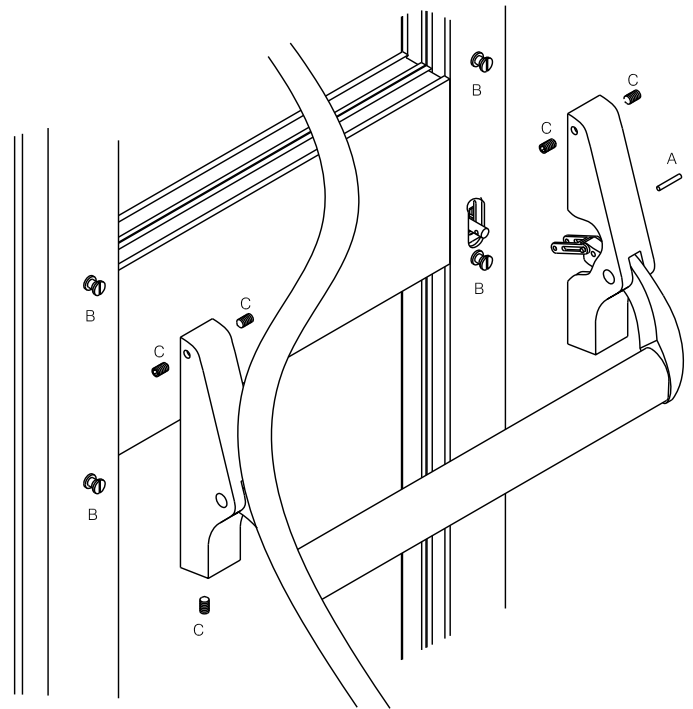
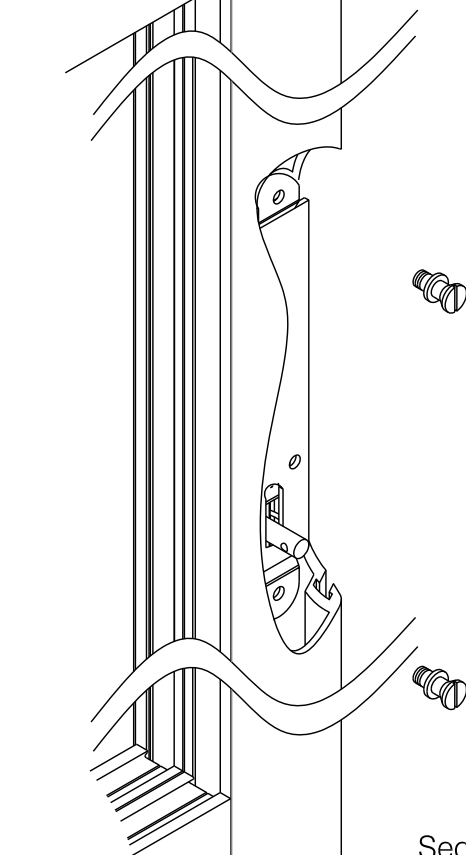
SCALE	N. T. S.	© A4
DATE	25/09/14	
DRAWN	KP/CAD	
DRG. No.	C7Pi-CD-3.33	RO



Secure fixing screws (1) thru stile into lock mechanism, and screws (2) into tapped holes in opposite stile.



Offer handle to stile and connect actuator link to actuator pin using connecting pin (A) provided. Position handle onto fixing screws (B) and secure using grub screws (C).



Copyright & ownership of this drawing is vested in COMAR Architectural Aluminium Systems, whose prior written consent is required for its use, reproduction or publication to any third party. All other rights reserved. Subject to modifications without prior notification.

PR 7000 Series Panic exit device,  
Concealed Vertical Rod, Flat Touch Bar.

Aluminium - 42" Wide PR-7100-AL  
Black - 42" Wide PR-7100-BK  
Aluminium - 48" Wide PR-7100-48-AL

Accessories.

Extension rod with coupler  
(300mm extension) RE-712

Rim cylinder lock for 67mm Door Stile  
with 7085 Panic Exit Device.  
Supplied with 2 keys. (keyed to differ)

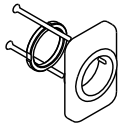
Aluminium RC-791-AL

Rim cylinder lock for 67mm Door Stile  
with 7085 Panic Exit Device  
Supplied with 2 keys. (keyed alike)

Aluminium RC-791-AL-S

Cylinder Mounting Pad with Locking Ring

Aluminium MP-792-AL

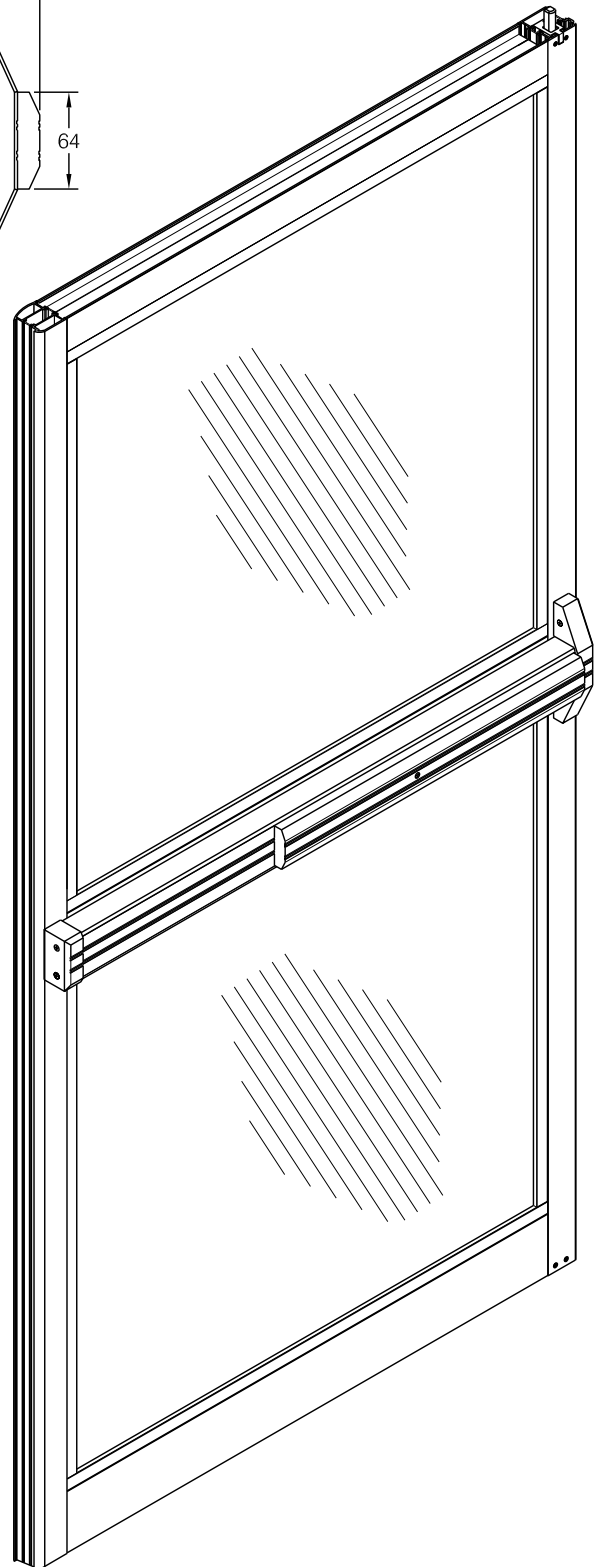
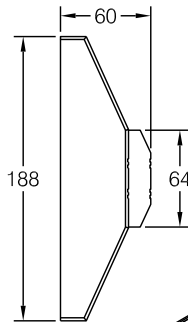
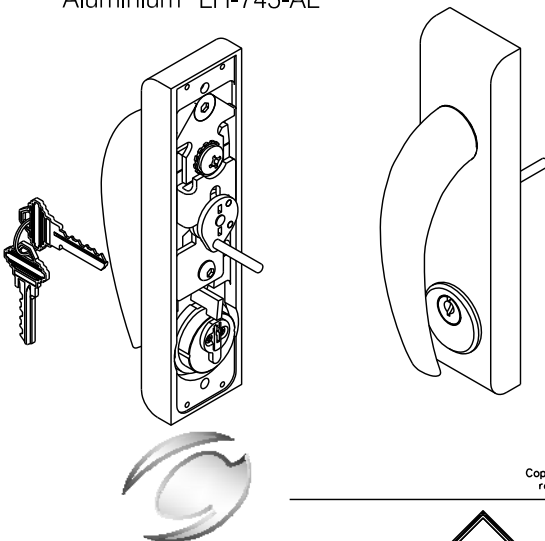


Exposed, knurled dogging pin  
Stainless steel DP-713



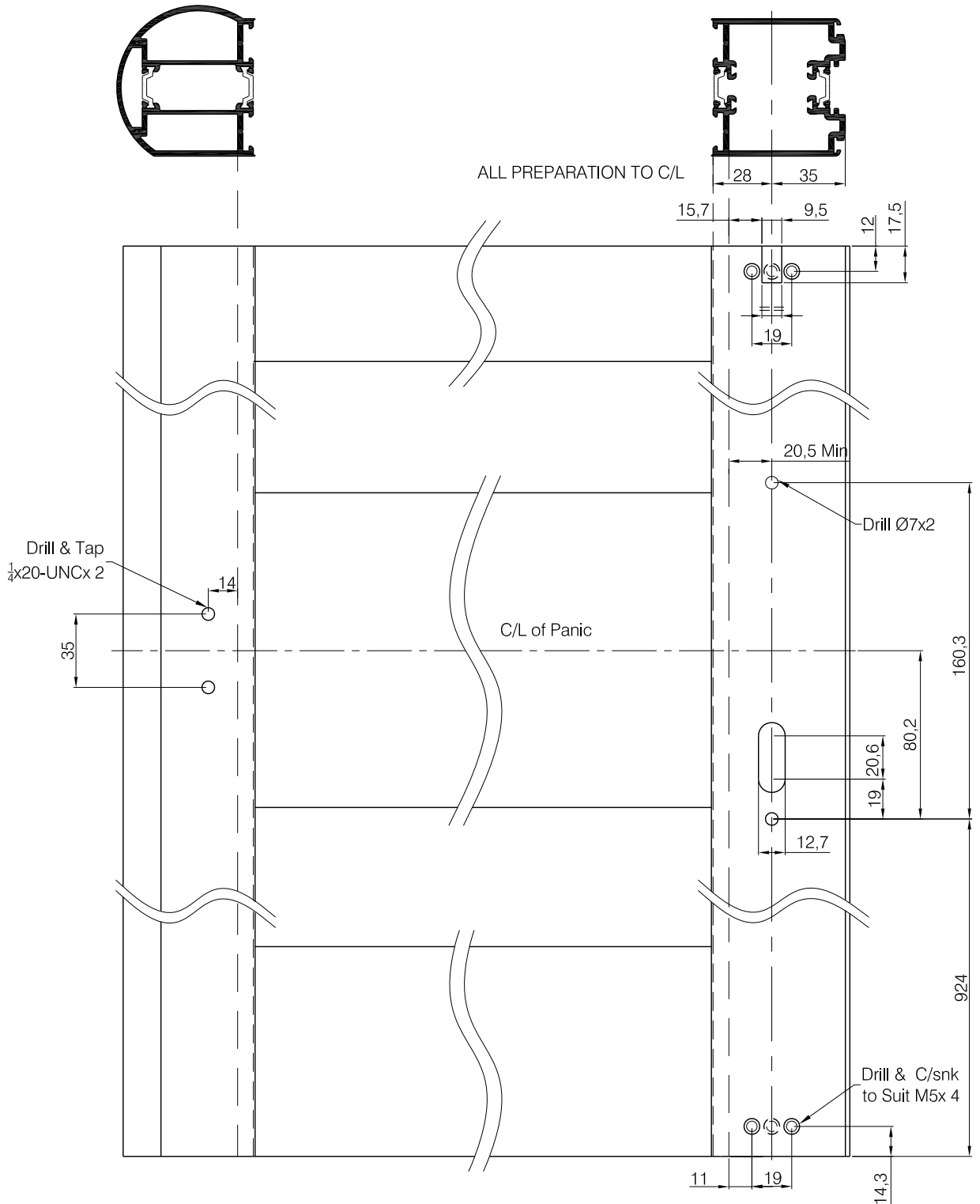
Locking Handle for 67mm Door Stile  
with 7100 Panic Exit Device.

Aluminium LH-745-AL

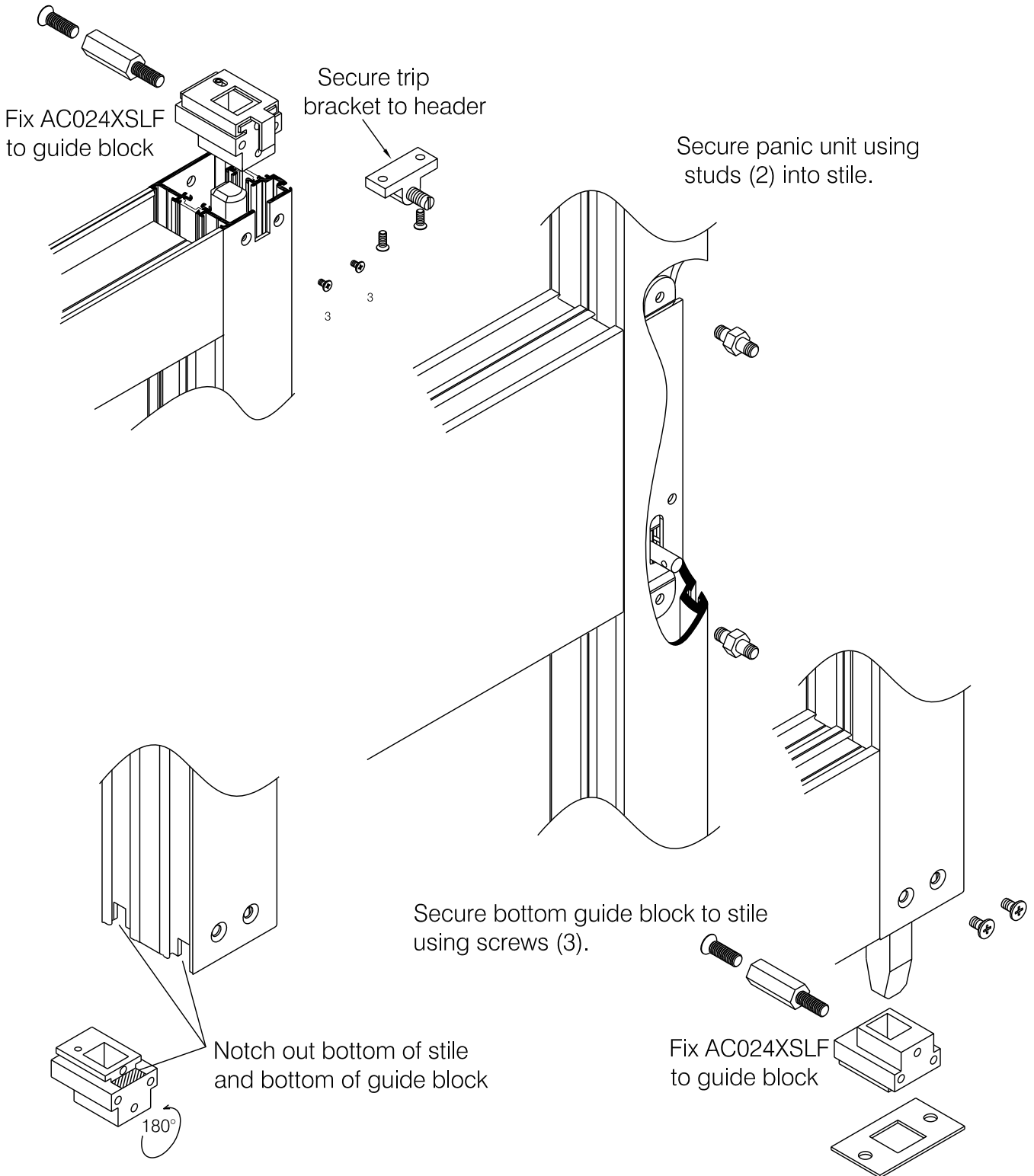


Copyright & ownership of this drawing is vested in COMAR Architectural Aluminium Systems, whose prior written consent is required for its use, reproduction or publication to any third party. All other rights reserved. Subject to modifications without prior notification

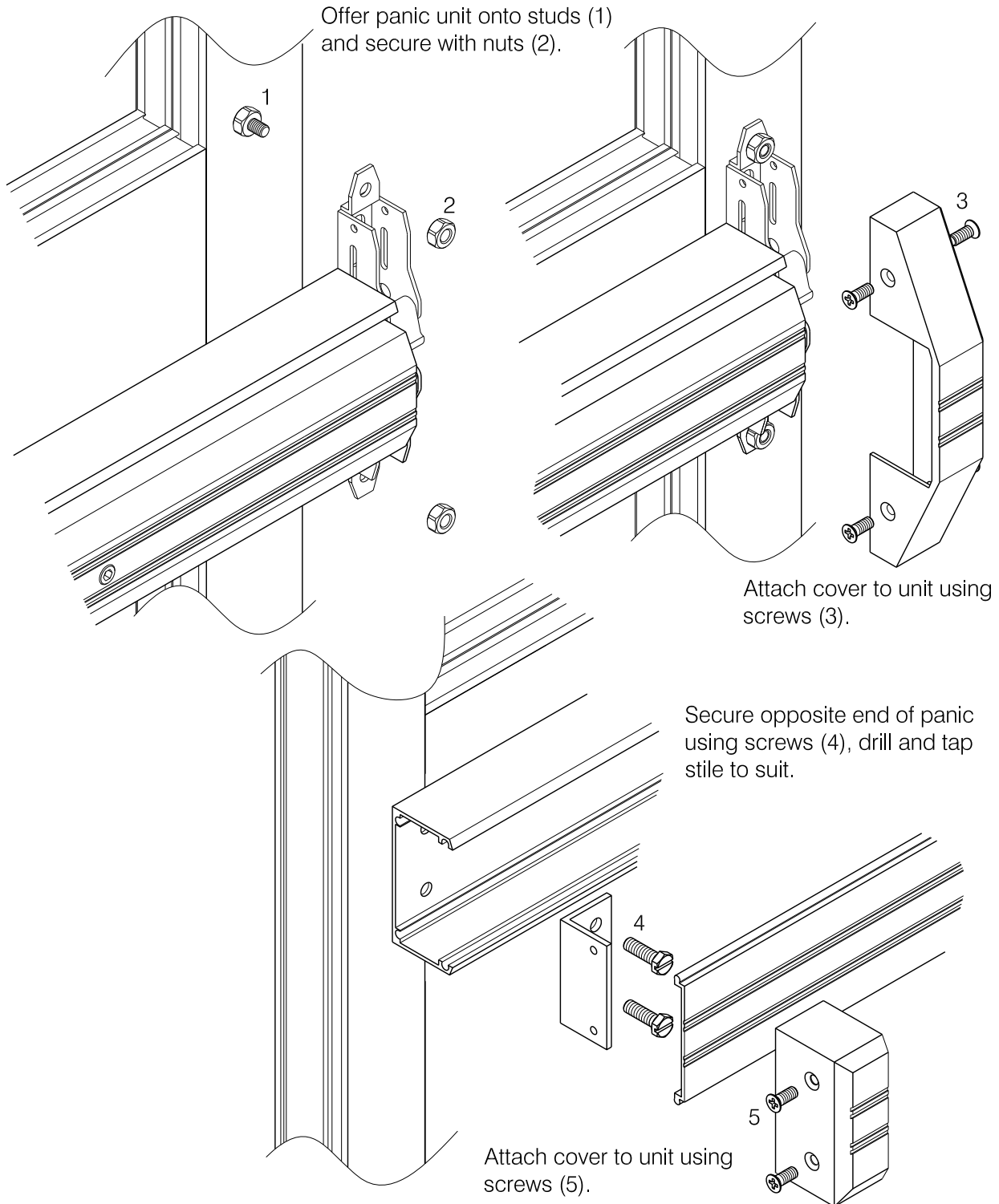
SCALE	N.T.S	© A4
DATE	25/09/14	
DRAWN	KP/CAD	
DRG. No.	C7Pi-CD-3.35	RO



Copyright & ownership of this drawing is vested in COMAR Architectural Aluminium Systems, whose prior written consent is required for its use, reproduction or publication to any third party. All other rights reserved. Subject to modifications without prior notification.



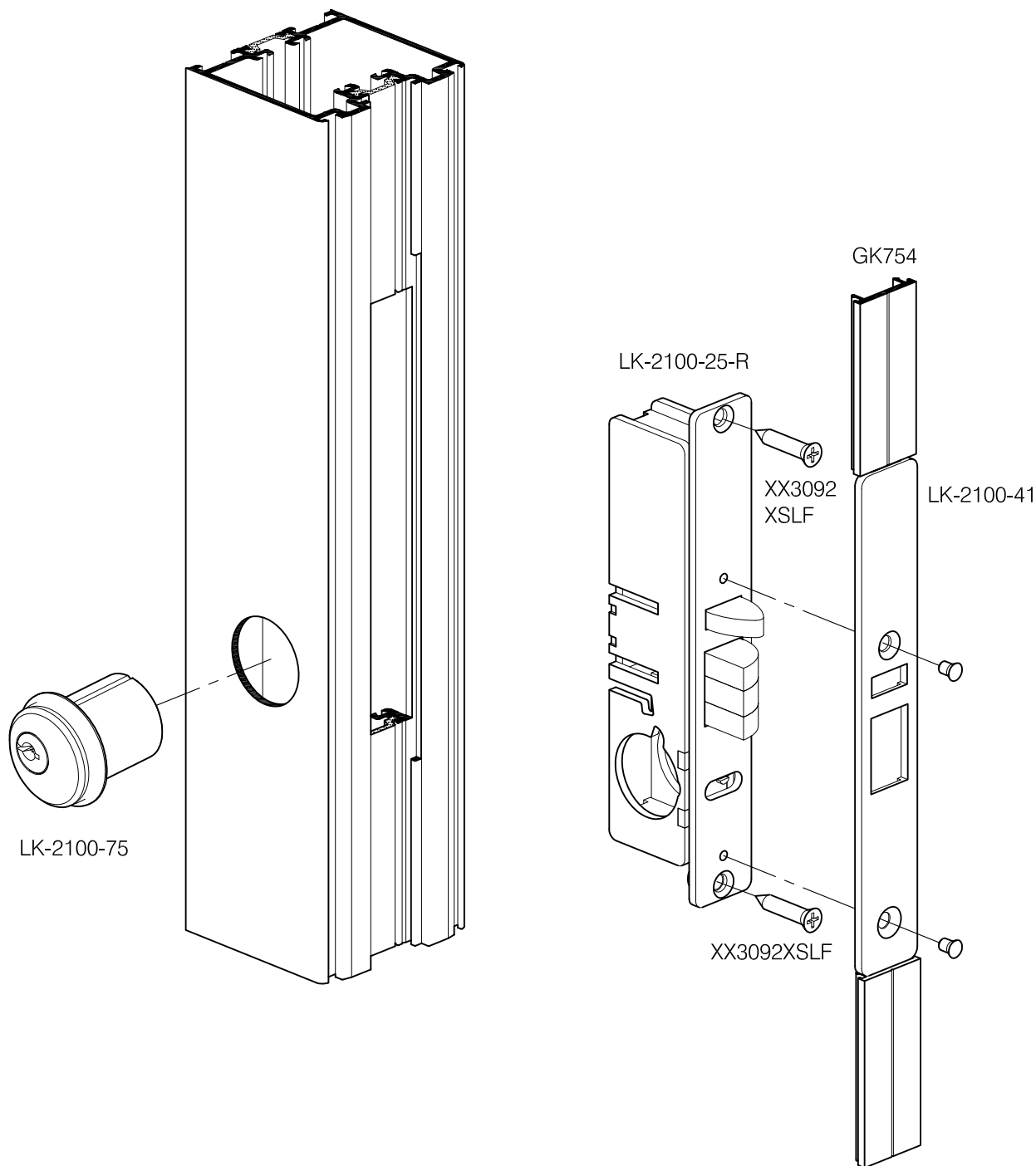
Copyright & ownership of this drawing is vested in COMAR Architectural Aluminium Systems, whose prior written consent is required for its use, reproduction or publication to any third party. All other rights reserved. Subject to modifications without prior notification



Copyright & ownership of this drawing is vested in COMAR Architectural Aluminium Systems, whose prior written consent is required for its use, reproduction or publication to any third party. All other rights reserved. Subject to modifications without prior notification



SCALE	N.T.S	© A4
DATE	25/09/14	
DRAWN	KP/CAD	
DRG. No.	C7Pi-CD-3.38	RO



Copyright & ownership of this drawing is vested in COMAR Architectural Aluminium Systems, whose prior written consent is required for its use, reproduction or publication to any third party. All other rights reserved. Subject to modifications without prior notification.

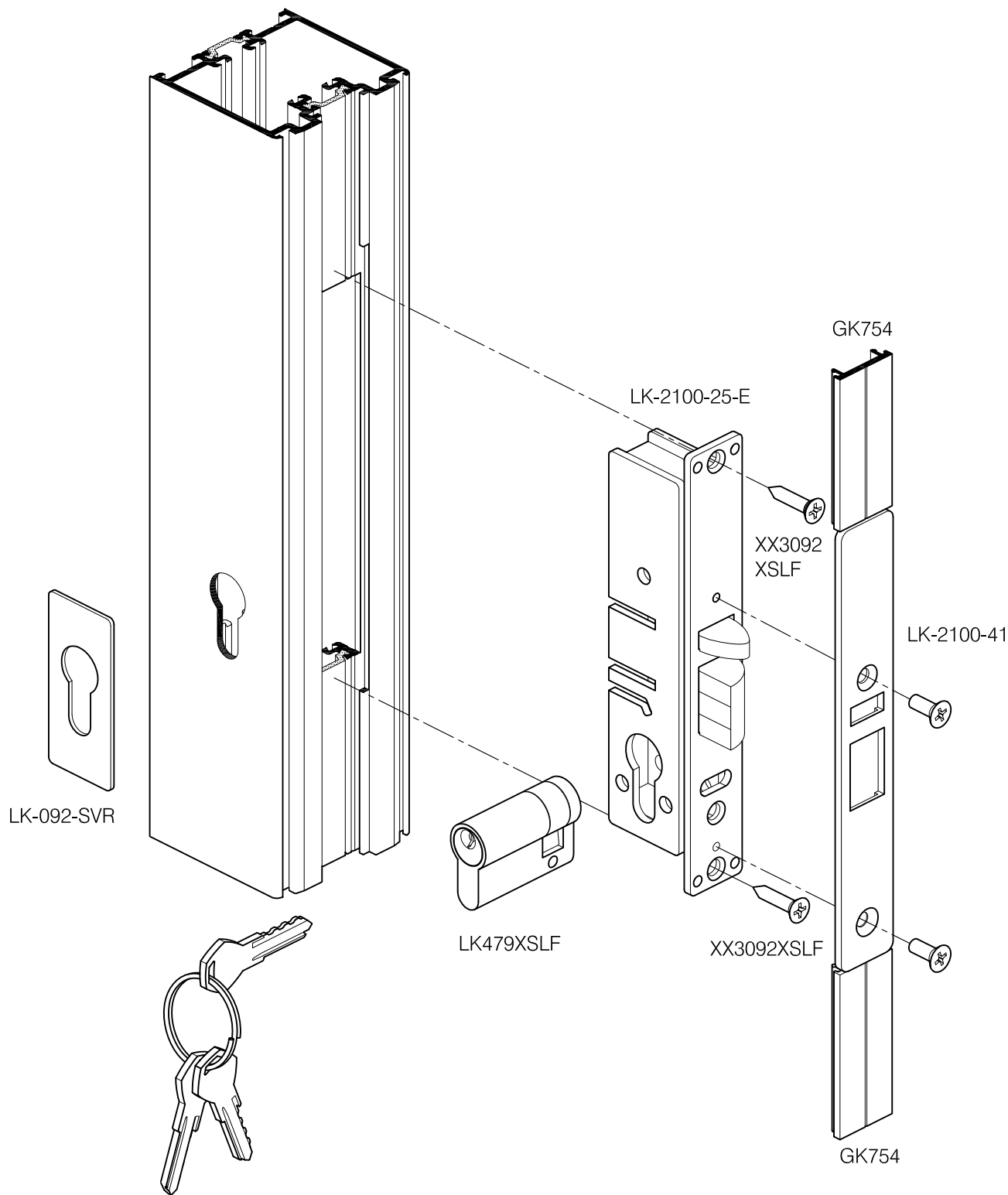


**comar**  
ARCHITECTURAL ALUMINIUM SYSTEMS



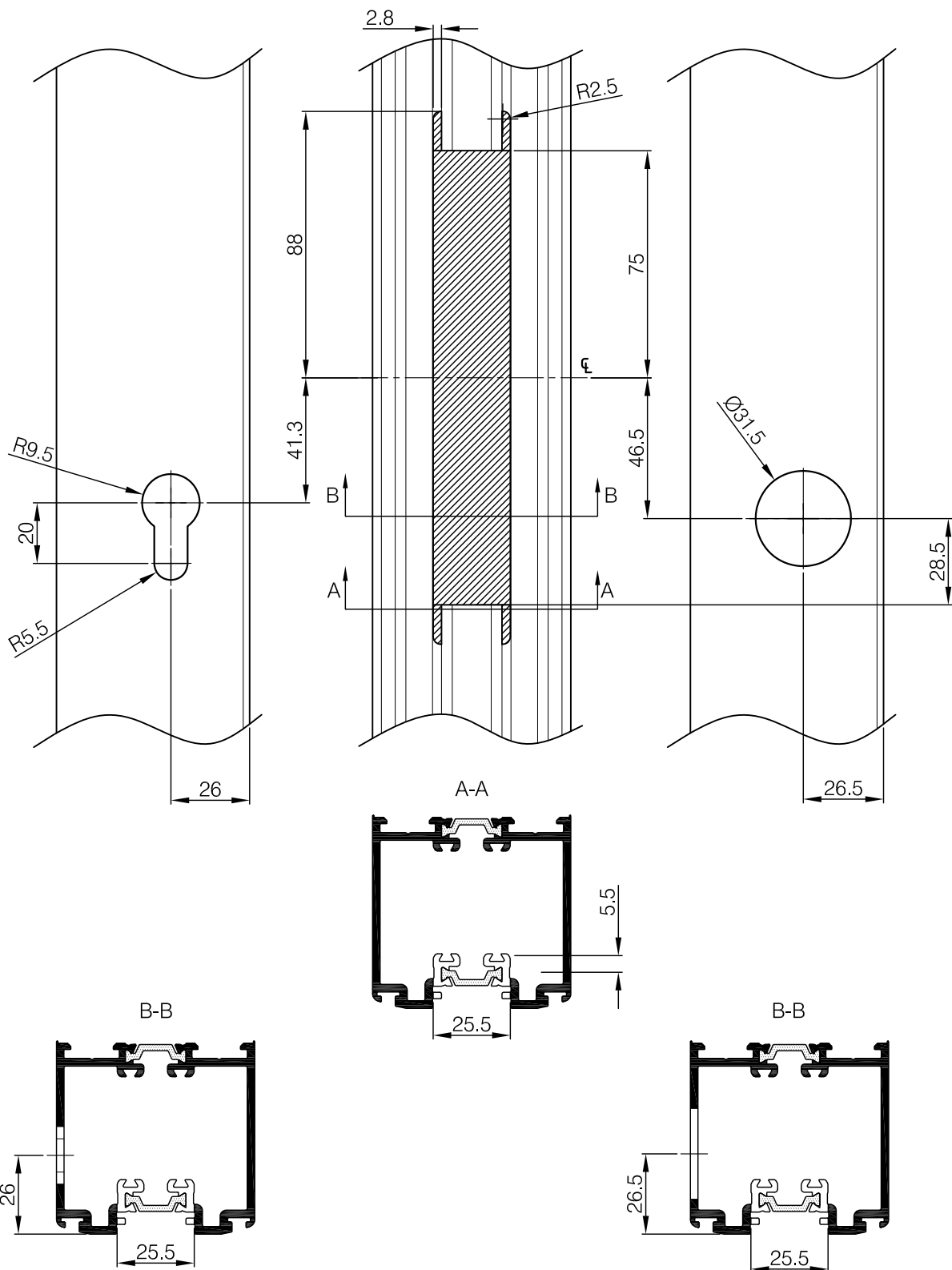
THE PARKSIDE GROUP LTD  
UNIT 5 ° THE WILLOW CENTRE  
17 WILLOW LANE ° MITCHAM  
SURREY ° CR4 4NX  
Tel: 020-8685 9685 Fax: 020-8687 1142  
Email: technical@parksidegrp.co.uk  
Web Site: <http://www.comar-alu.co.uk>

SCALE	NTS	© A4
DATE	14/03/2016	
DRAWN	KP/CAD	
DRG. No.	C7-Pi-CD 3.39	



Copyright & ownership of this drawing is vested in COMAR Architectural Aluminium Systems, whose prior written consent is required for its use, reproduction or publication to any third party. All other rights reserved. Subject to modifications without prior notification.





Copyright & ownership of this drawing is vested in COMAR Architectural Aluminium Systems, whose prior written consent is required for its use, reproduction or publication to any third party. All other rights reserved. Subject to modifications without prior notification.

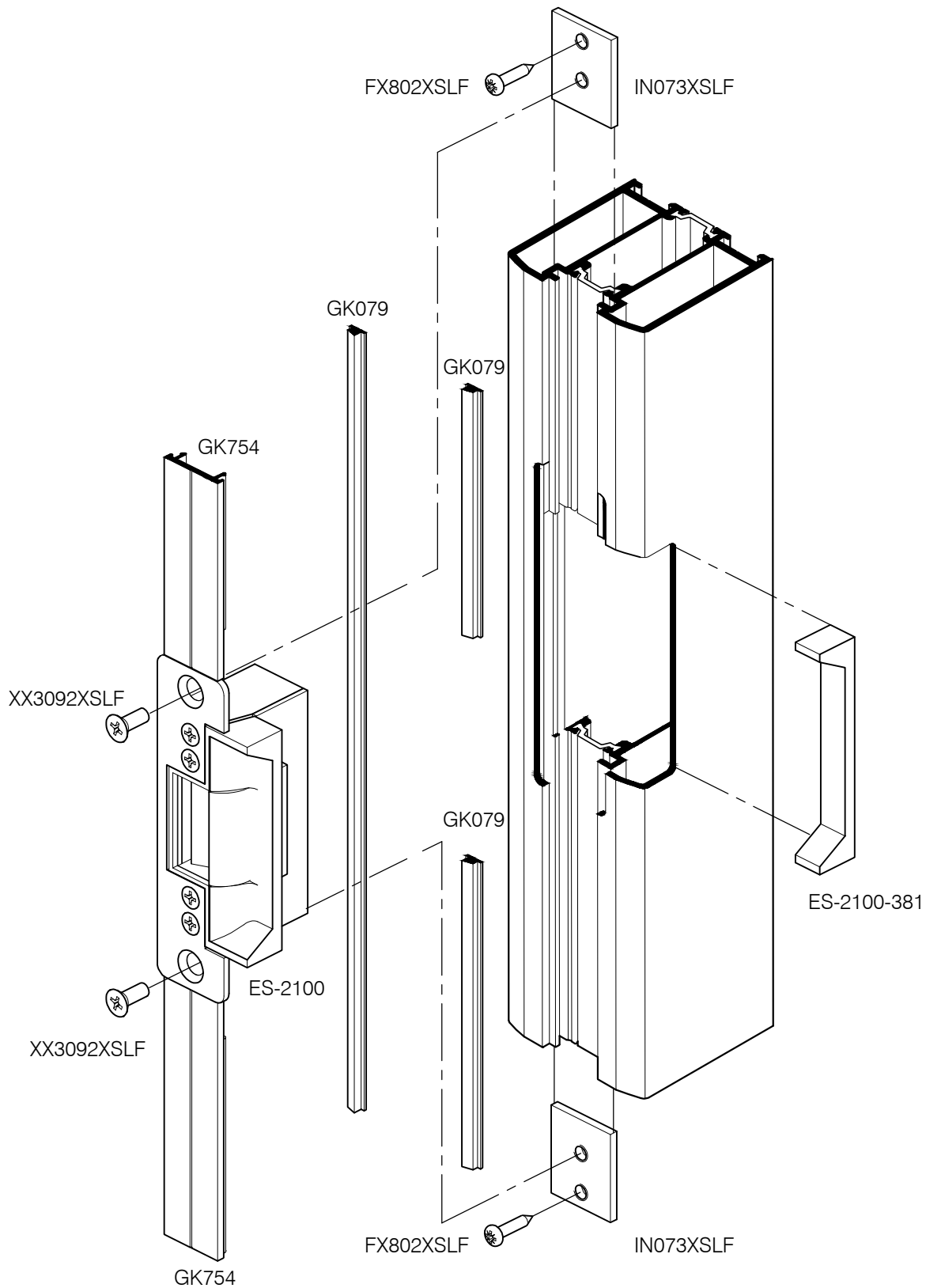


**comar**  
ARCHITECTURAL ALUMINIUM SYSTEMS



THE PARKSIDE GROUP LTD  
UNIT 5 ° THE WILLOW CENTRE  
17 WILLOW LANE ° MITCHAM  
SURREY ° CR4 4NX  
Tel: 020-8685 9685 Fax: 020-8687 1142  
Email: technical@parksidegrp.co.uk  
Web Site: <http://www.comar-alu.co.uk>

SCALE	NTS	© A4
DATE	14/03/2016	
DRAWN	KP/CAD	
DRG. No.	C7-Pi-CD	3.41

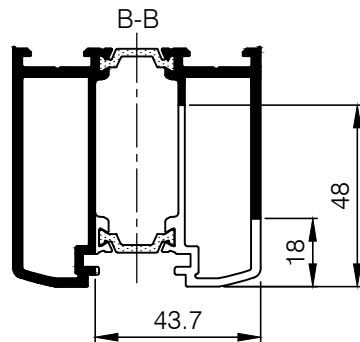
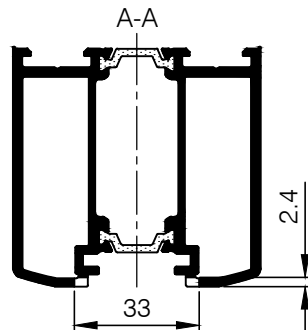
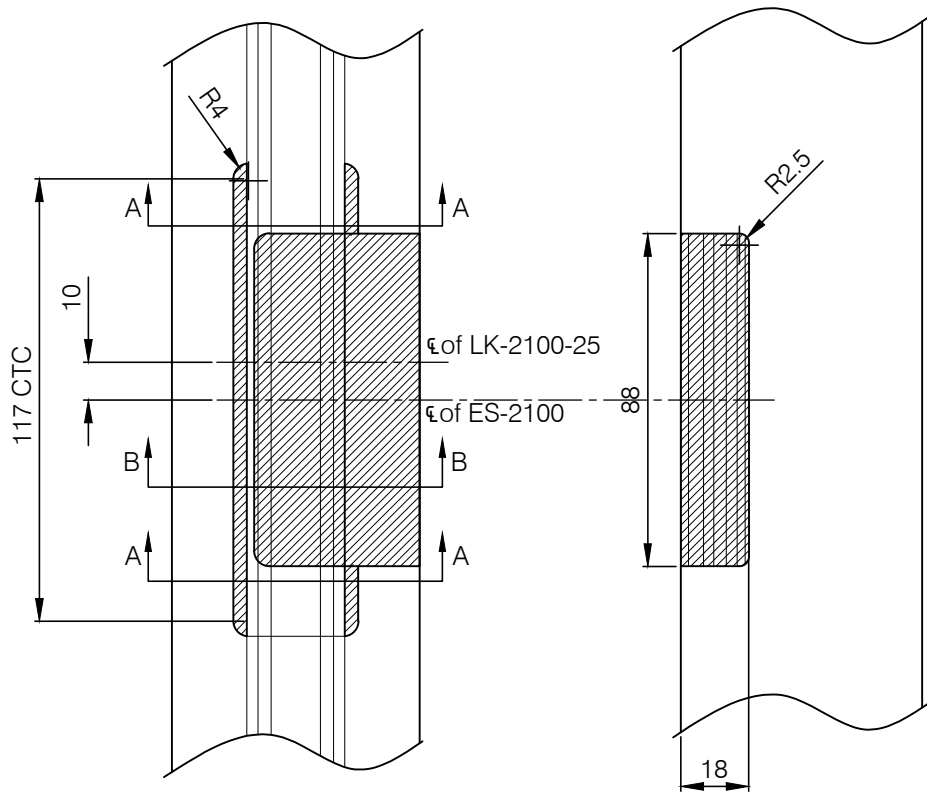


Copyright & ownership of this drawing is vested in COMAR Architectural Aluminium Systems, whose prior written consent is required for its use, reproduction or publication to any third party. All other rights reserved. Subject to modifications without prior notification.



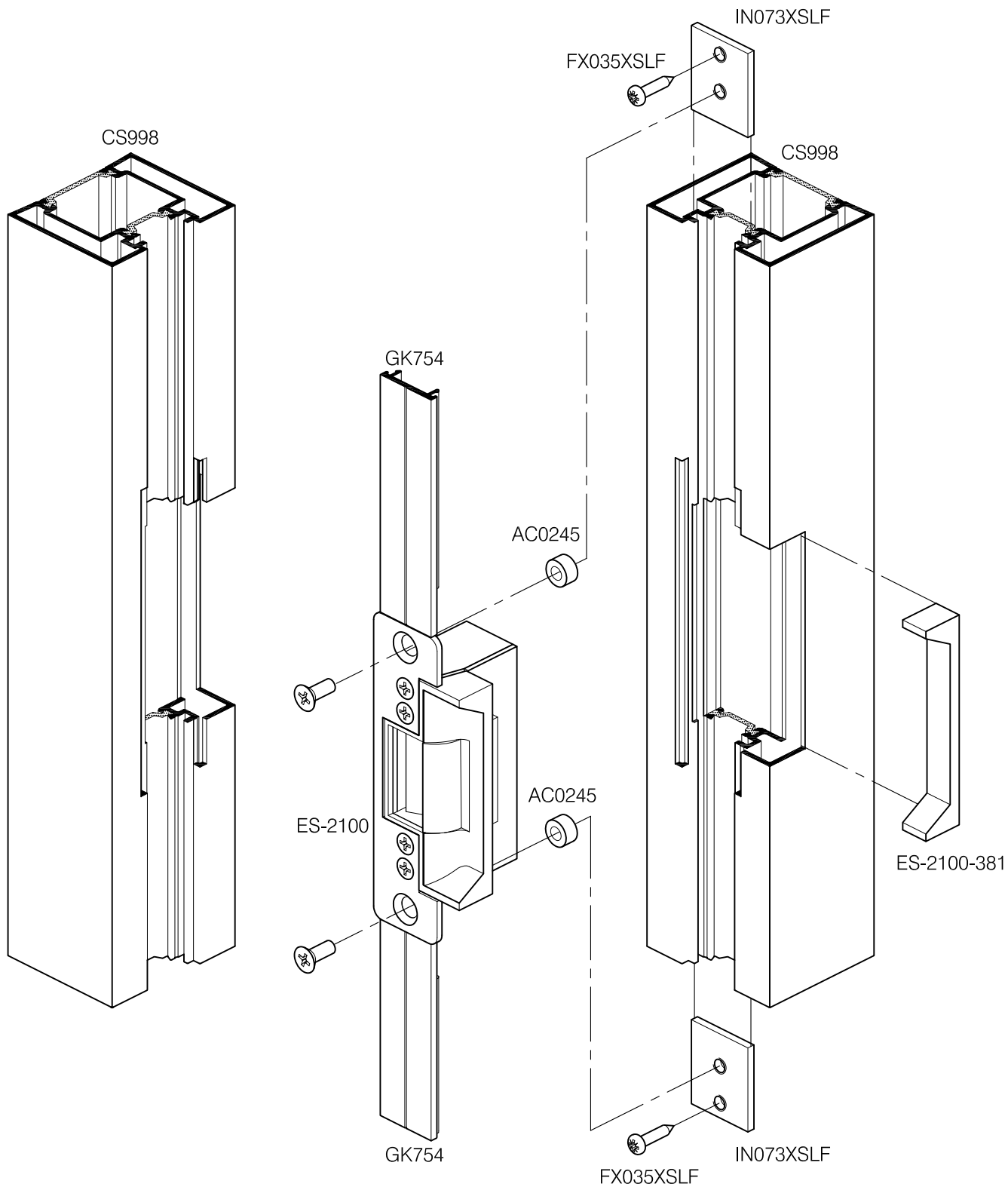
SCALE	NTS	© A4
DATE	01/12/2016	
DRAWN	KP/NRA	
DRG. No.	C7-Pi-CD 3.42 R1	

TITLE	<b>POLYAMIDE INSULATED DOORS THERMALLY EFFICIENT DOOR SYSTEM</b>	SHEET No. <b>3.43</b>
SUB TITLE	<b>ELECTRIC STRIKE OPTION CS772 - DOOR STILE PREPARATION FOR ES-2100</b>	



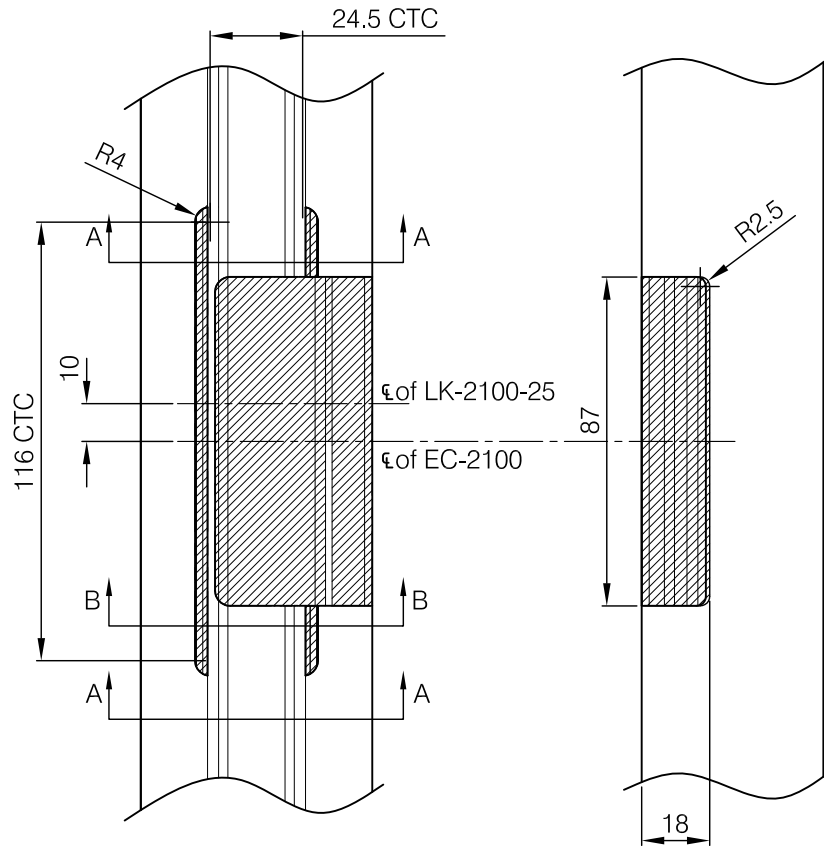
Copyright & ownership of this drawing is vested in COMAR Architectural Aluminium Systems, whose prior written consent is required for its use, reproduction or publication to any third party. All other rights reserved. Subject to modifications without prior notification.

SCALE	NTS	© A4
DATE	14/03/2016	
DRAWN	KP/CAD	
DRG. No.	C7-Pi-CD 3.43 R1	

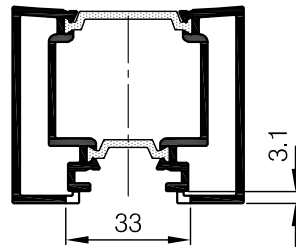


Copyright & ownership of this drawing is vested in COMAR Architectural Aluminium Systems, whose prior written consent is required for its use, reproduction or publication to any third party. All other rights reserved. Subject to modifications without prior notification.

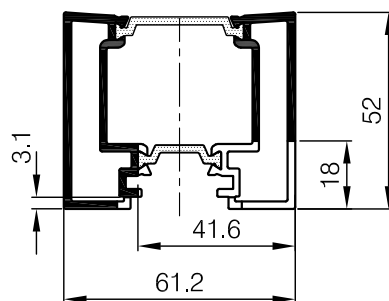
SCALE	NTS	© A4
DATE	14/03/2016	
DRAWN	KP/CAD	
DRG. No.	C7-Pi-CD 3.44	



A-A

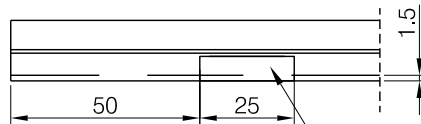
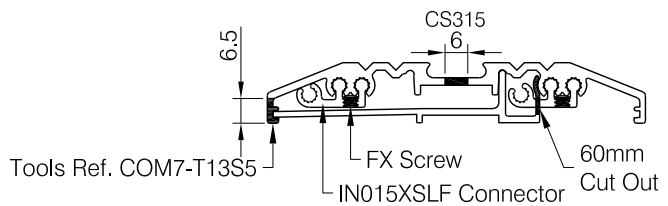
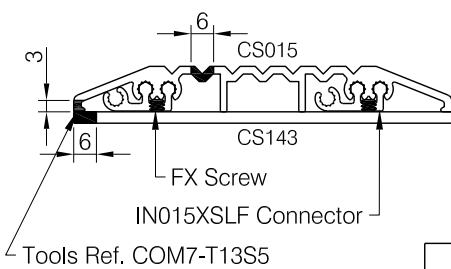
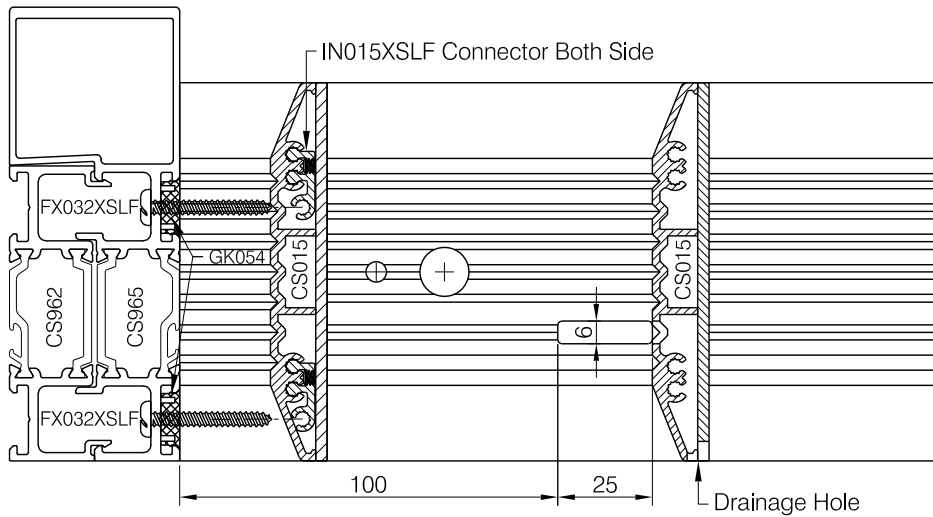
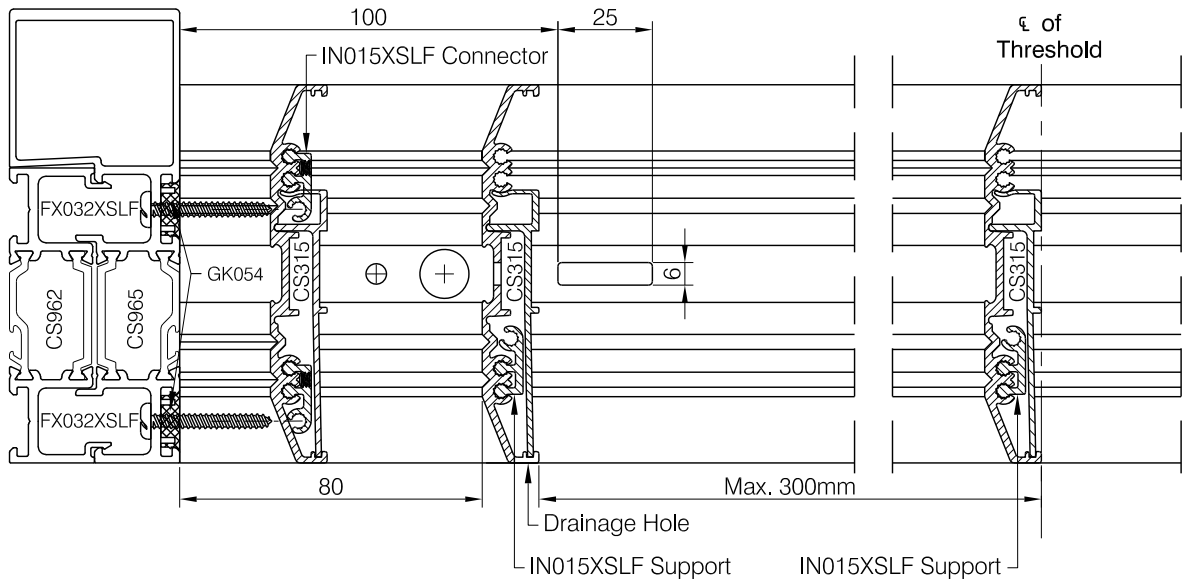


B-B



Copyright & ownership of this drawing is vested in COMAR Architectural Aluminium Systems, whose prior written consent is required for its use, reproduction or publication to any third party. All other rights reserved. Subject to modifications without prior notification.

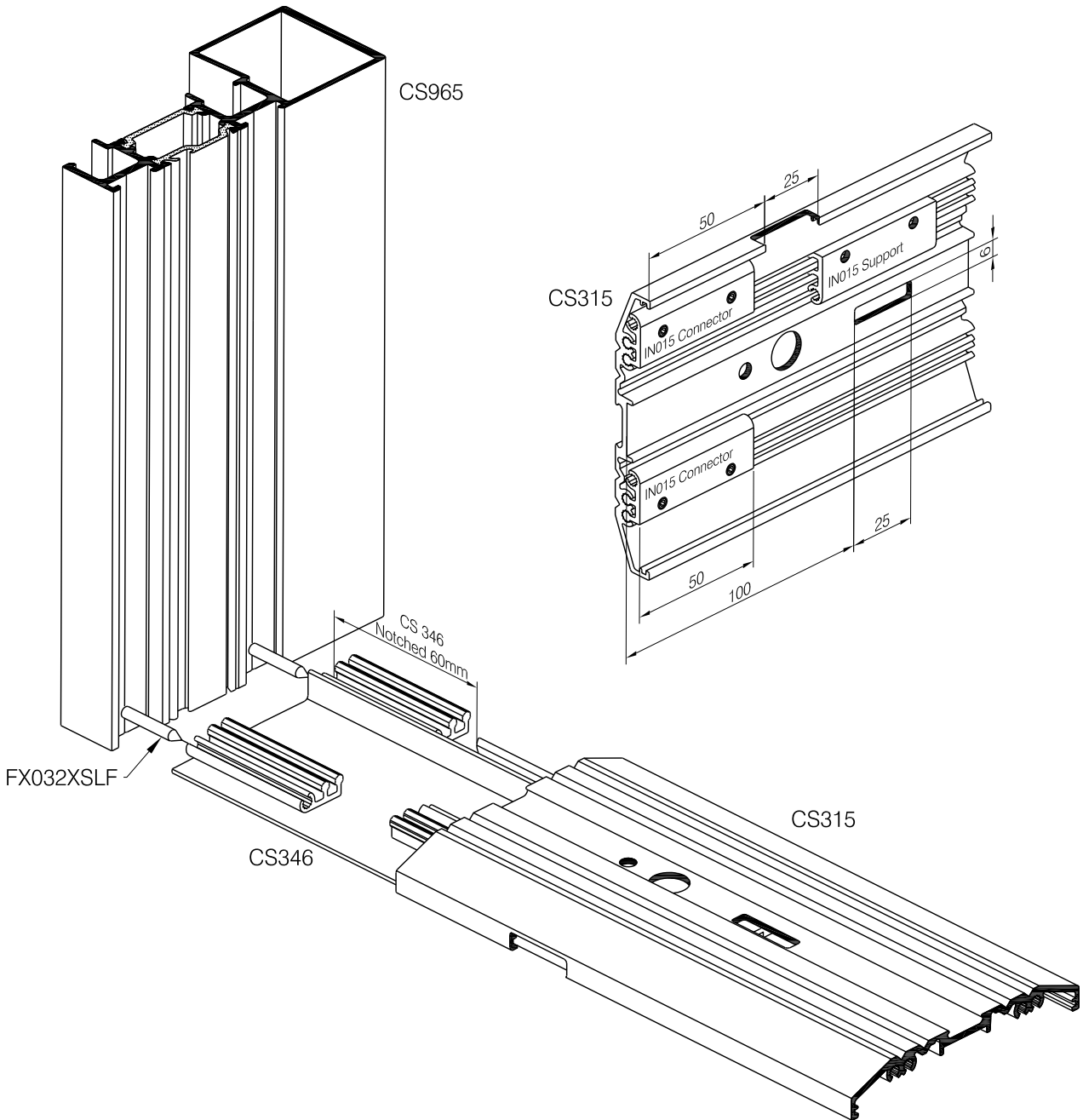
SCALE	NTS	© A4
DATE	14/03/2016	
DRAWN	KP/CAD	
DRG. No.	C7-Pi-CD 3.45	



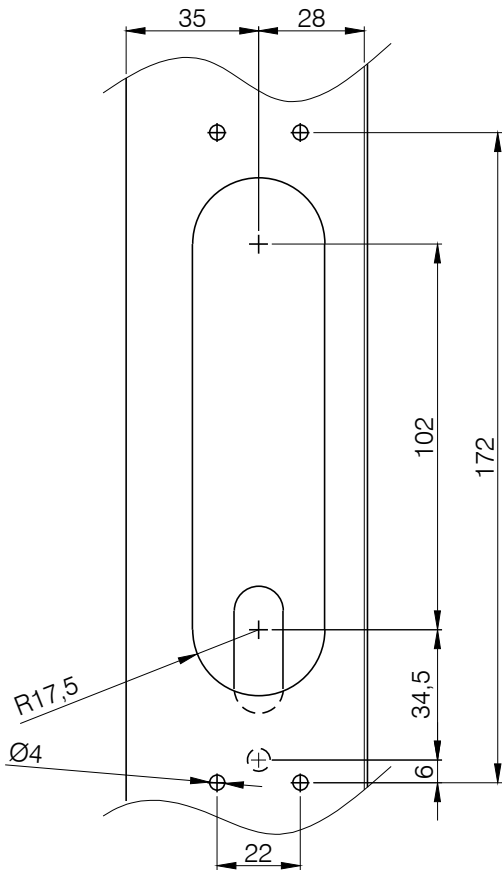
25x6.5 Drainage Slot Set  
at 50mm from Each End  
Approx. 500mm CTRS

Copyright & ownership of this drawing is vested in COMAR Architectural Aluminium Systems, whose prior written consent is required for its use, reproduction or publication to any third party. All other rights reserved. Subject to modifications without prior notification

SCALE	2:1	© A4
DATE	19/07/2019	
DRAWN	KP/NRA	
DRG. No.	C7Pi-CD-3.46 R2	



SCALE	2:1	© A4
DATE	19/07/19	
DRAWN	KP/NRA	
DRG. No.	C7Pi-CD-3.47 R1	

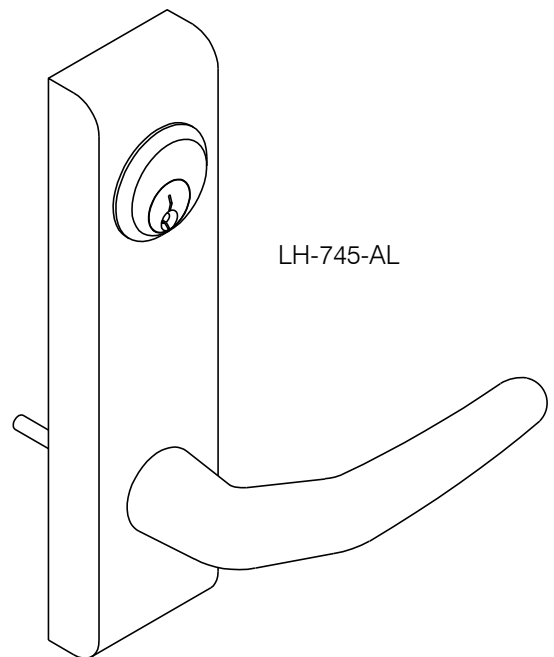
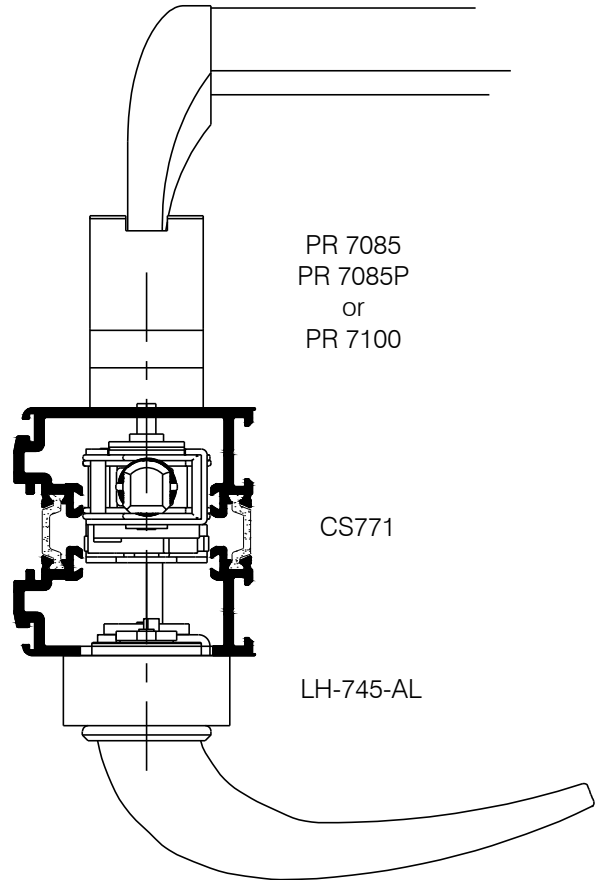


Cutting Prep to fit to outer face. Dashed lines indicate panic exit position (34.5 & 6)

Key Controlled Outside sprung lever handle for use with PR7085, PR7085P, and PR7100 concealed rod Panic Devices.

Uses Axim screw in Mortice cylinder with MS type CAM .

Non handed. (Field reversible).

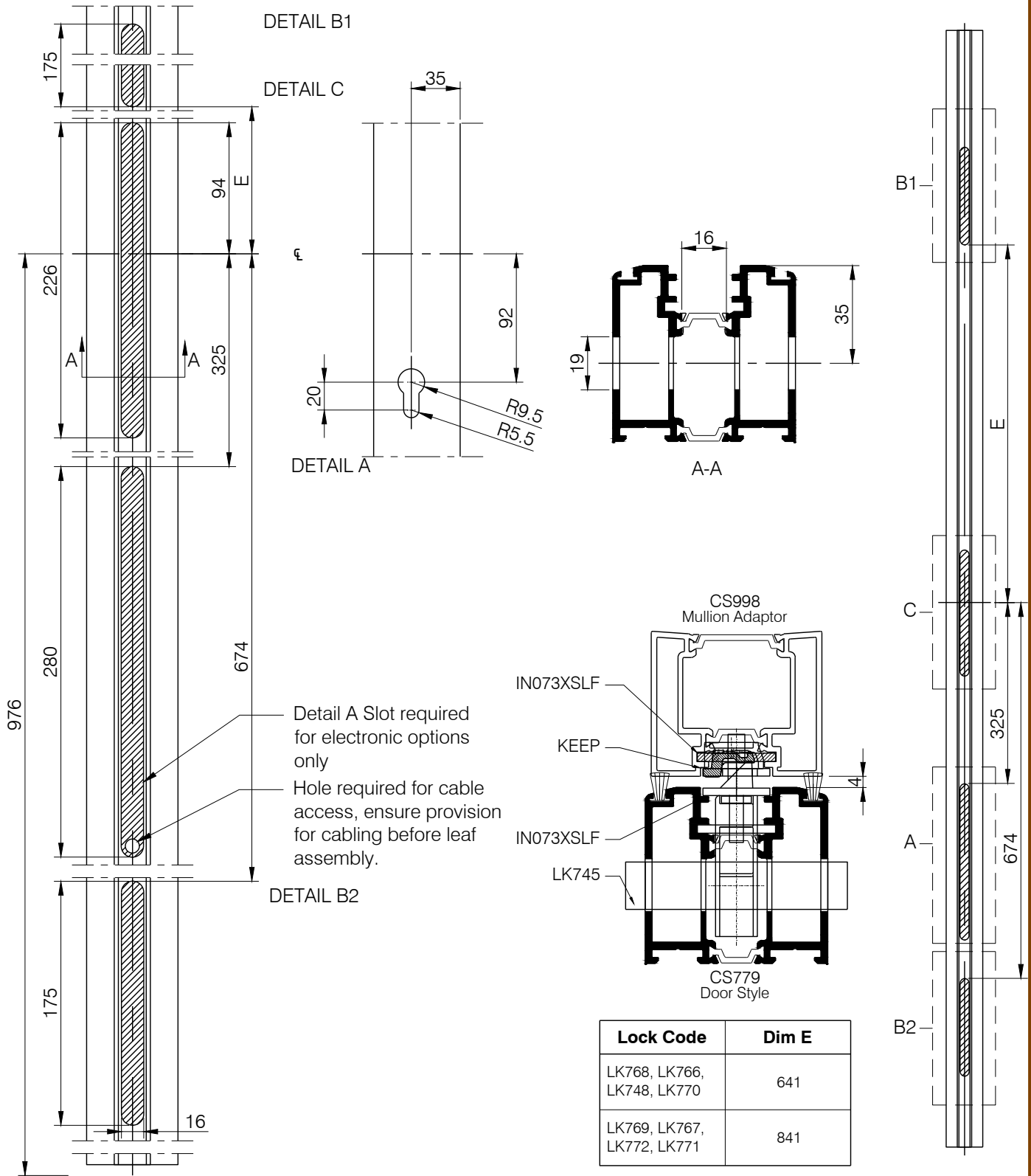


Copyright & ownership of this drawing is vested in COMAR Architectural Aluminium Systems, whose prior written consent is required for its use, reproduction or publication to any third party. All other rights reserved. Subject to modifications without prior notification

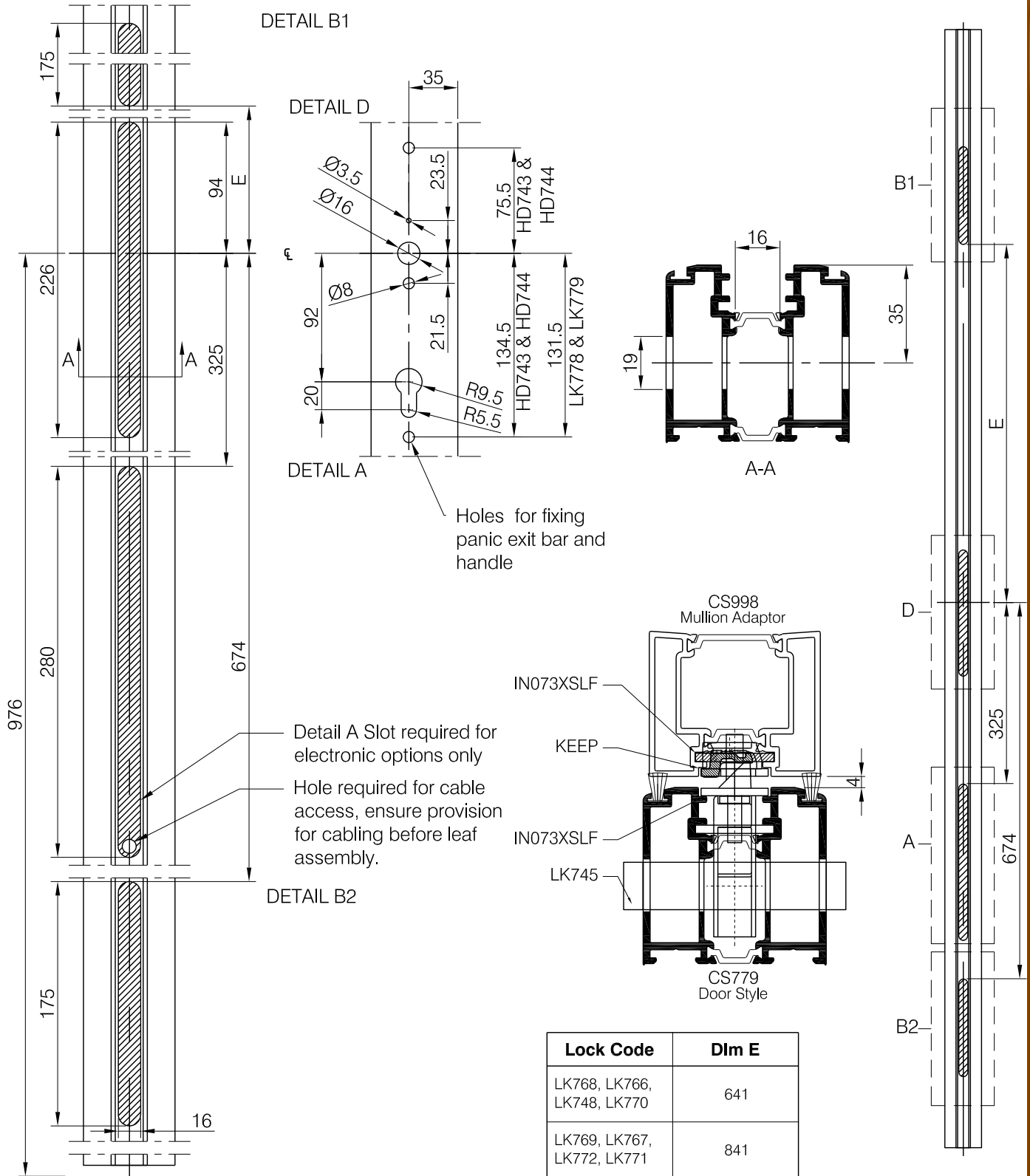


SCALE	N.T.S.	© A4
DATE	01/12/16	
DRAWN	NRA	
DRG. No.	C7Pi-CD-3.48	RO

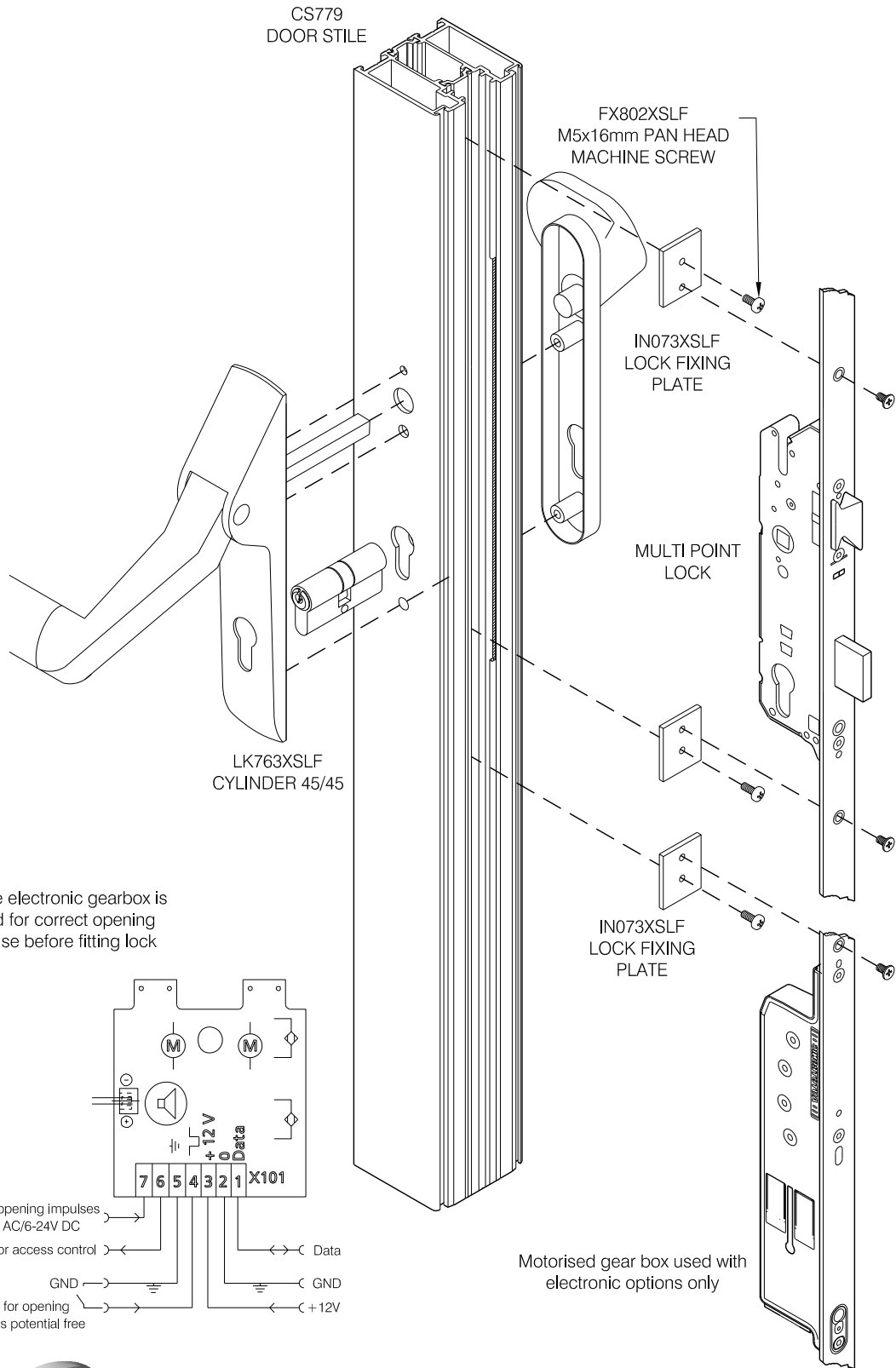




Copyright & ownership of this drawing is vested in COMAR Architectural Aluminium Systems, whose prior written consent is required for its use, reproduction or publication to any third party. All other rights reserved. Subject to modifications without prior notification

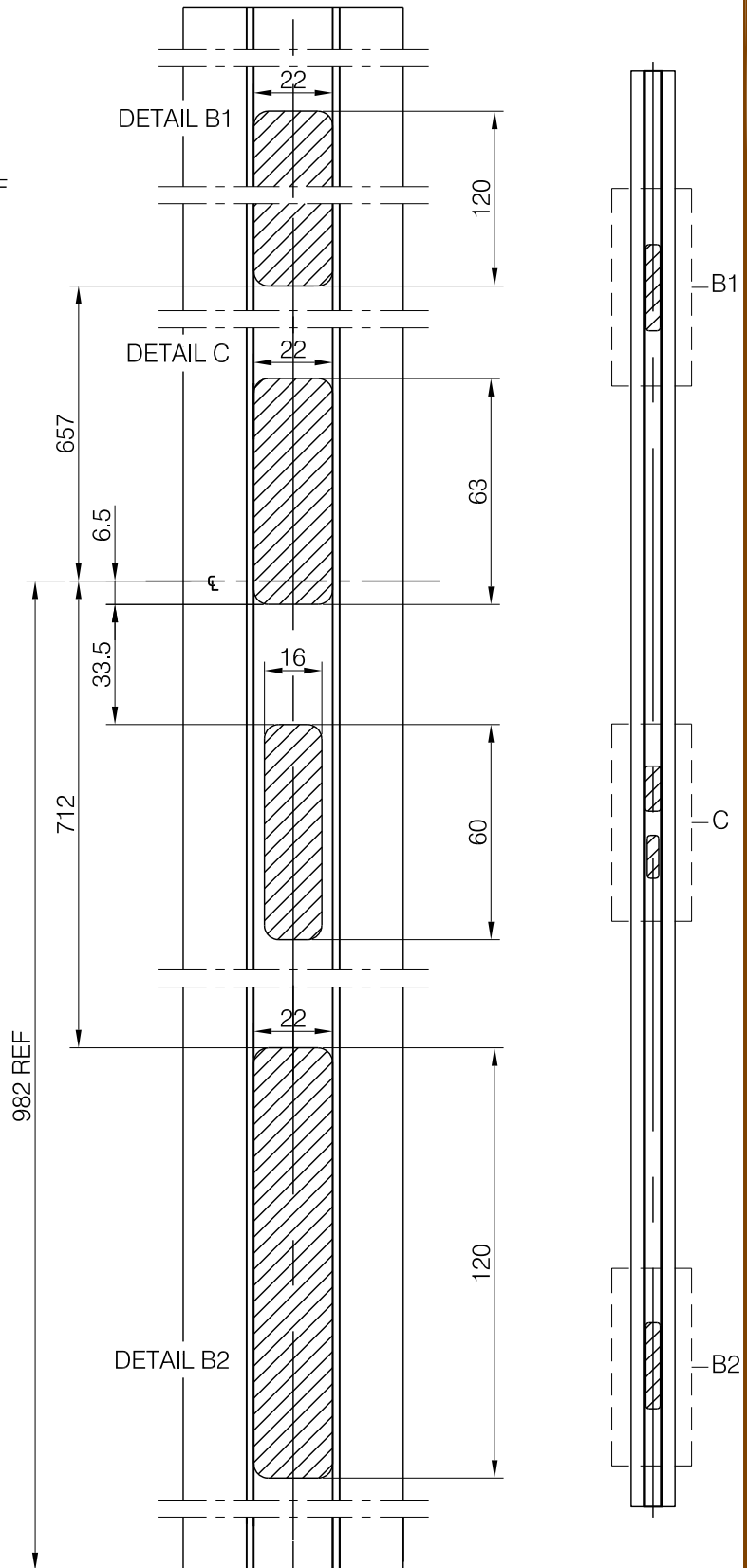
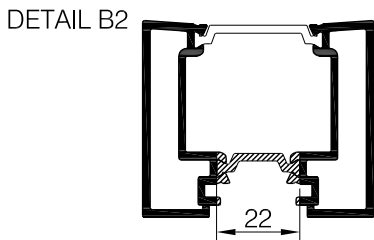
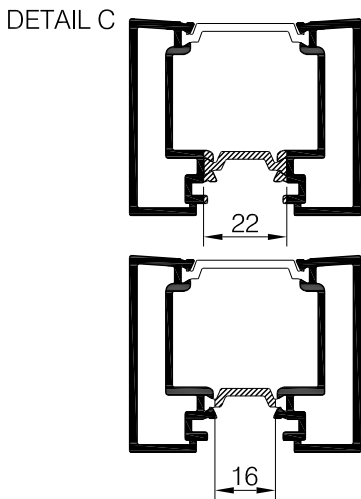
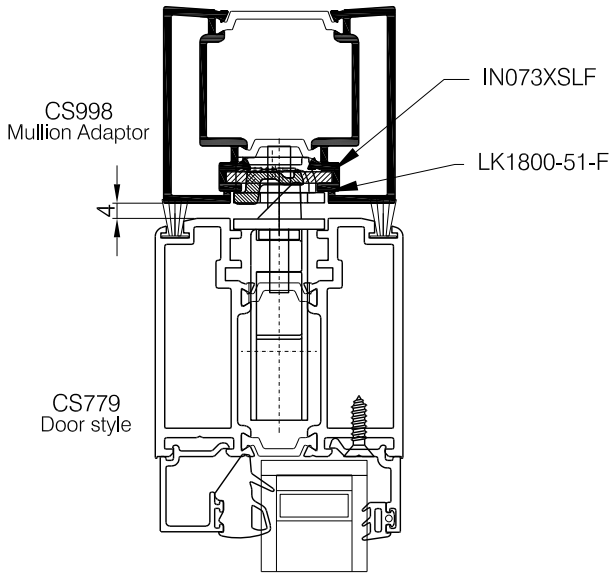


Copyright & ownership of this drawing is vested in COMAR Architectural Aluminium Systems, whose prior written consent is required for its use, reproduction or publication to any third party. All other rights reserved. Subject to modifications without prior notification

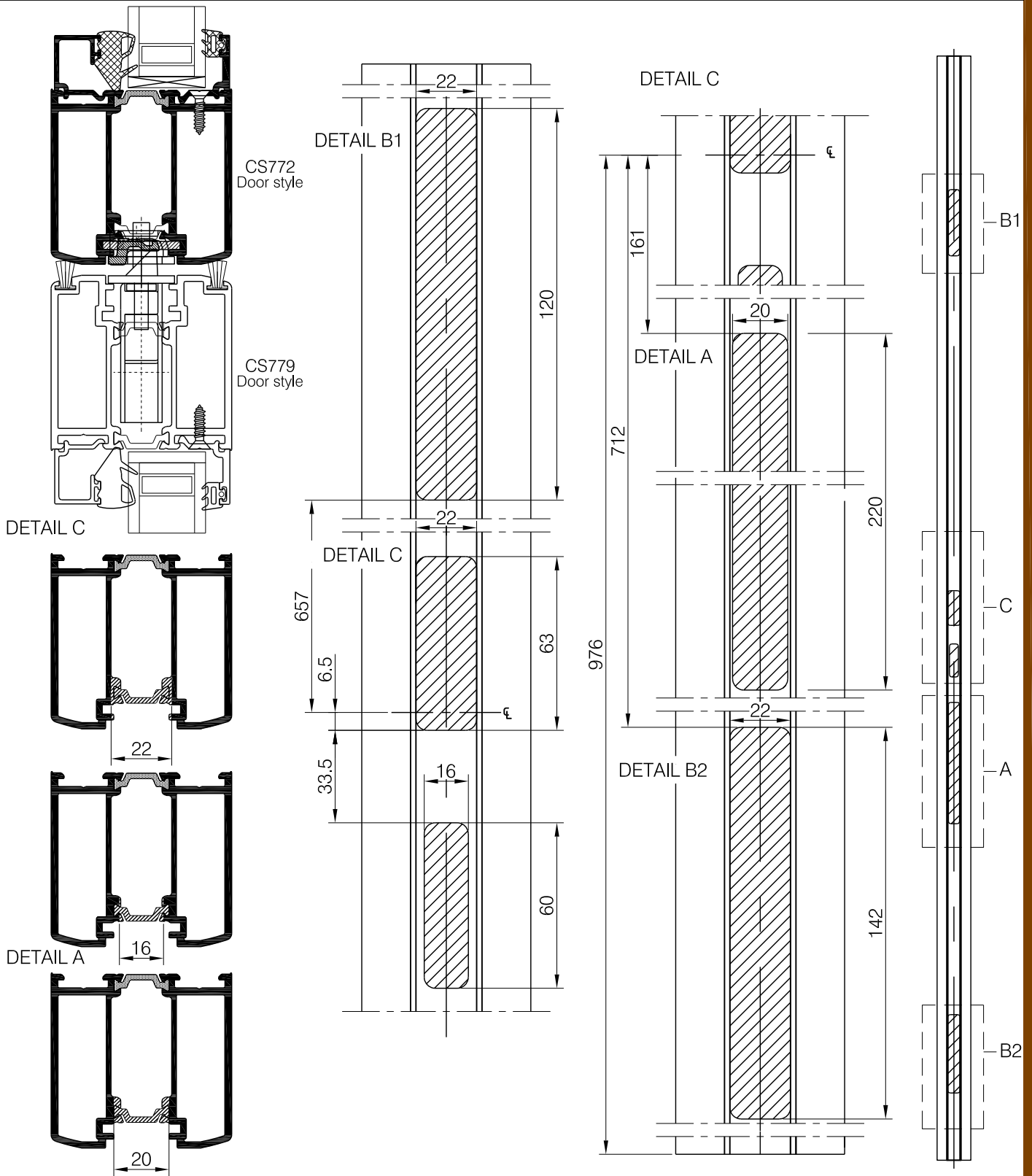


Copyright & ownership of this drawing is vested in COMAR Architectural Aluminium Systems, whose prior written consent is required for its use, reproduction or publication to any third party. All other rights reserved. Subject to modifications without prior notification

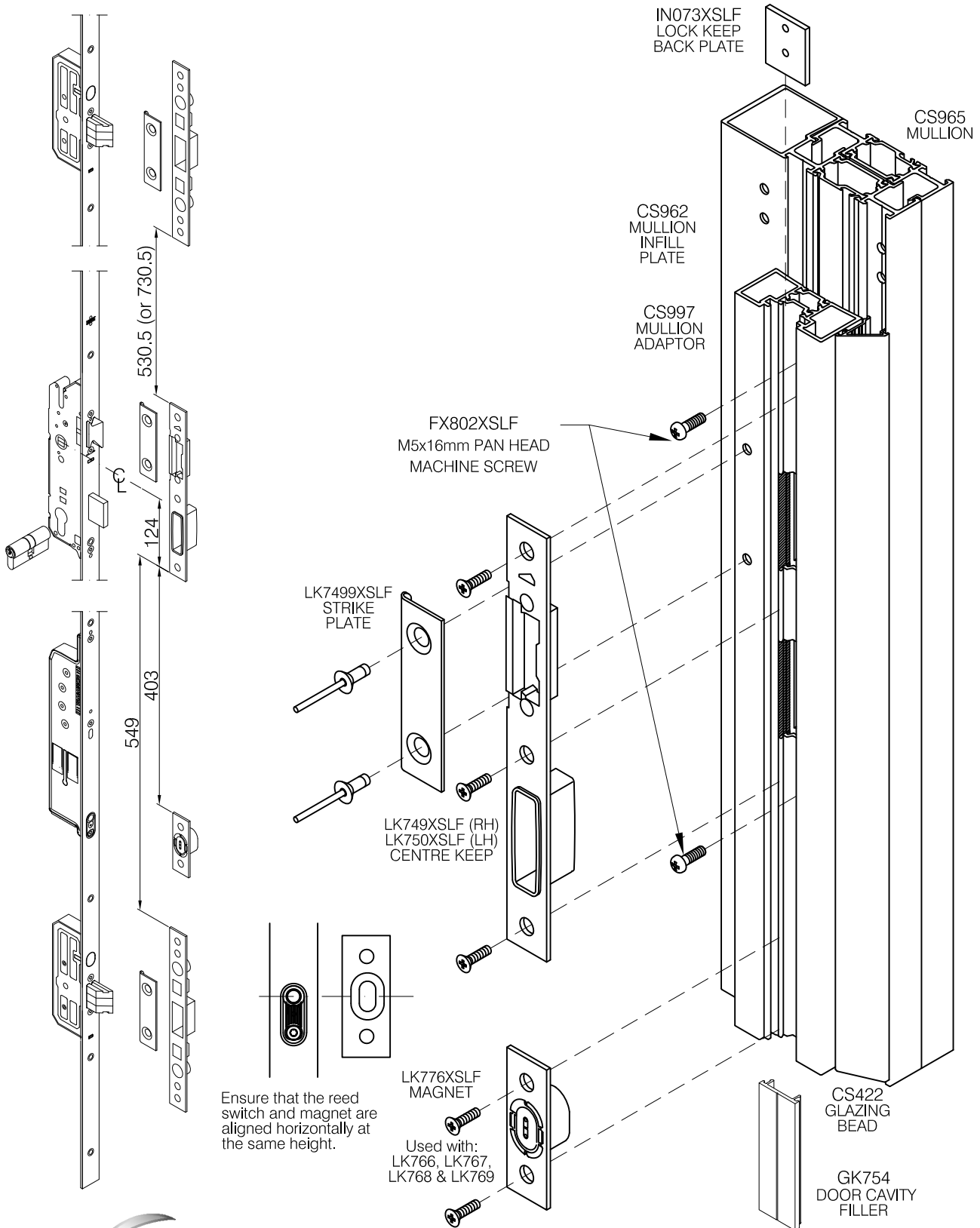
SCALE	NTS	© A4
DATE	18/07/19	
DRAWN	KP/BB	
DRG. No.	C7Pi-CD-3.51	R2



Copyright & ownership of this drawing is vested in COMAR Architectural Aluminium Systems, whose prior written consent is required for its use, reproduction or publication to any third party. All other rights reserved. Subject to modifications without prior notification



Copyright & ownership of this drawing is vested in COMAR Architectural Aluminium Systems, whose prior written consent is required for its use, reproduction or publication to any third party. All other rights reserved. Subject to modifications without prior notification.

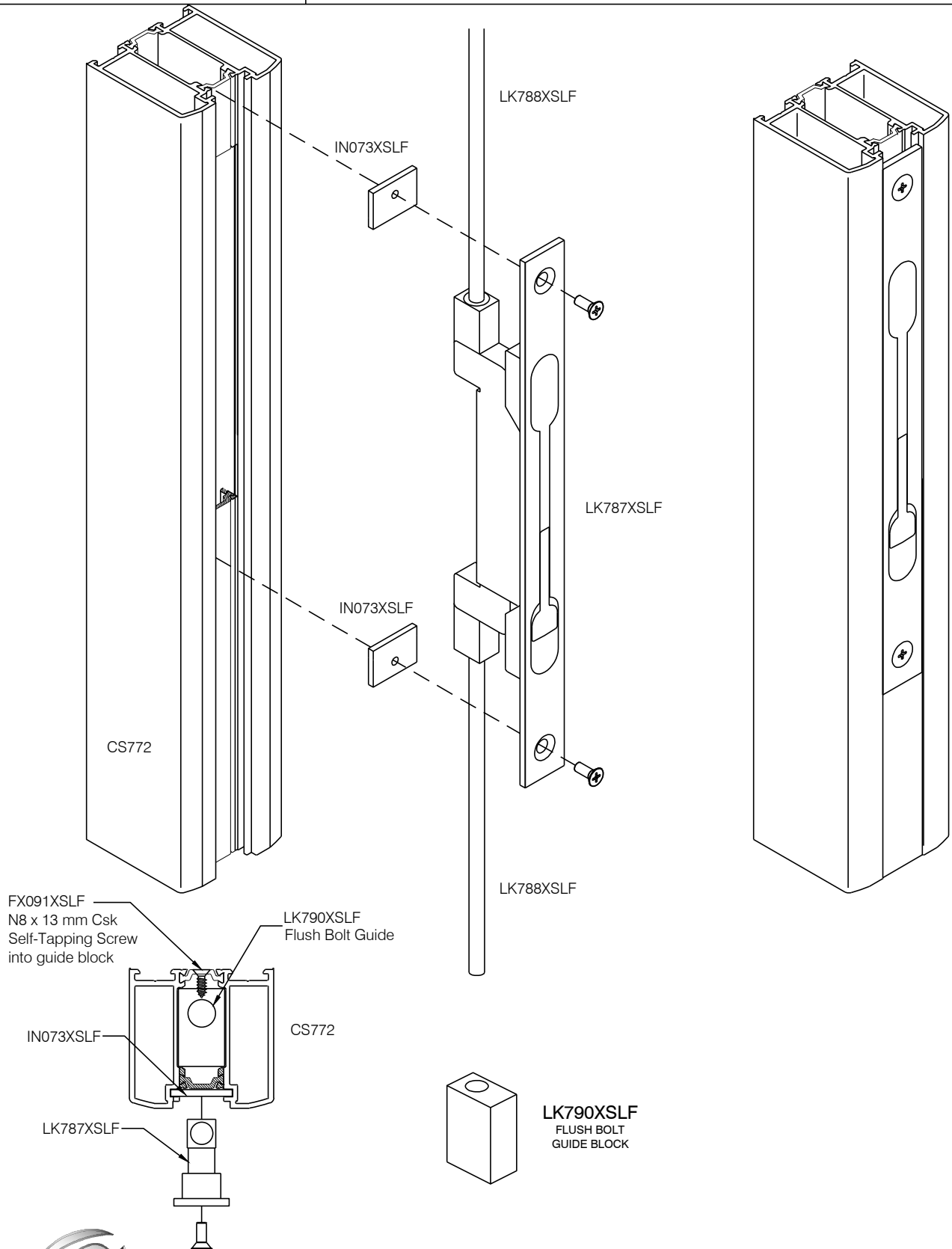


Ensure that the reed switch and magnet are aligned horizontally at the same height.

LK776XSFLF  
MAGNET  
Used with:  
LK766, LK767,  
LK768 & LK769

Copyright & ownership of this drawing is vested in COMAR Architectural Aluminium Systems, whose prior written consent is required for its use, reproduction or publication to any third party. All other rights reserved. Subject to modifications without prior notification

SCALE	NTS	@ A4
DATE	01/10/2020	
DRAWN	NRA	
DRG. No.	C7Pi-CD-3.54 R2	



Copyright & ownership of this drawing is vested in COMAR Architectural Aluminium Systems, whose prior written consent is required for its use, reproduction or publication to any third party. All other rights reserved. Subject to modifications without prior notification

## CDE Troubleshooting

Type of fault	Signal	Possible cause of fault	Fault repair
The lock does not lock motor-driven.	Green and red LEDs flash alternately.	Deadbolt doesn't run smoothly.	Check the door installation and possibly adjust.
		The door is warped.	Check the door installation and possibly adjust.
		The keeps have been adjusted too tightly.	Readjust/loosen keeps
		The central deadbolt has been protracted.	Retract the central deadbolt.
The lock does not lock or unlock.	Green and red LEDs light up.	Data connection between the electronic drive unit and the control unit is interrupted.	Check if the spring-loaded tappet contacts are correctly poled (note +/-; refer to 4.2.1 and 4.2.5). Are the spring-loaded tappet contact pins meeting the flat surface contact when the door is closed over?
		One or more cables are damaged.	Check all cables and plug-and-socket connections.
		Tappet contacts and contact surfaces have no contact.	Lubricate the contact surfaces refer to 8.1).
		The lock does not lock.	Magnets in the keeps are out of range.
The lock does not lock motor-driven.	No LED lights up.	Power and data connection between the electronic drive unit and the control unit has short circuited.	Check if the spring-loaded tappet contacts are correctly poled (note +/-; refer to 4.2.1 and 4.2.5). Connect the cable properly to the green multi-functional jack (refer to 6.2).
The door cannot be opened by the radio key or by an external opening impulse.	Red LED lights up.	The radio key is not tuned in.	Tune in the radio key.
		The distance to the receiver is too large.	Hold the radio key closer to the door.
		The batteries in the radio key are too weak.	Hold the radio key closer to the door and replace the battery.
Retracting time is too short for the motorised opening of the latching deadbolts.	Green LED lights up in the closed door leaf setting.	The magnetic contact for the drive unit is missing or out of alignment.	Install the magnetic contact on the frame and/or insert into the one-piece keep.
Door was opened.	Green and red LEDs light up	This is not a fault. A signal is being transmitted to indicate that the door has been open for more than 20 seconds.	Close the door. The lock will lock automatically.
The latch remains retracted.		The connecting rods are blocked by faceplate screws.	Insert the screws perpendicular to the faceplate.
		External control signal is applied to terminals 9-10 for too long.	Reduce the impulse duration to ≤1 second.





comar 7P.i

TITLE  
**TROUBLESHOOTING  
COMAR 7Pi COMMERCIAL DOOR**

SHEET No.  
**3.55.2**

SUB TITLE  
**INTENTIONALLY BLANK**

INTENTIONALLY  
BLANK



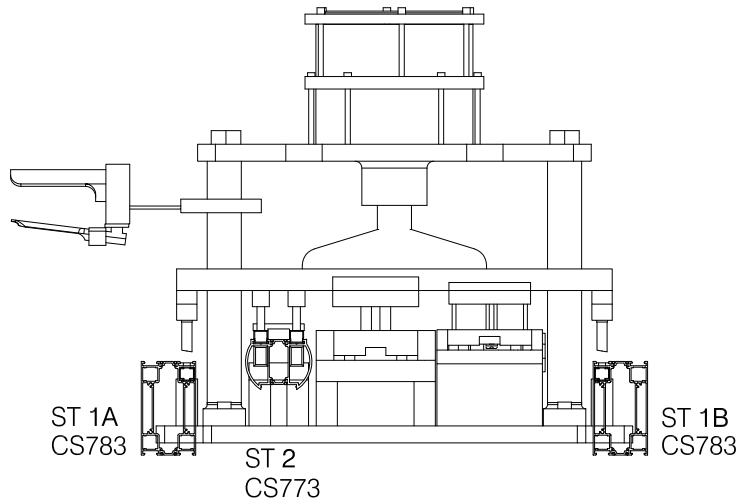
**comar**  
ARCHITECTURAL ALUMINIUM SYSTEMS



Copyright & ownership of this drawing is vested in COMAR Architectural Aluminium Systems, whose prior written consent is required for its use, reproduction or publication to any third party. All other rights reserved. Subject to modifications without prior notification

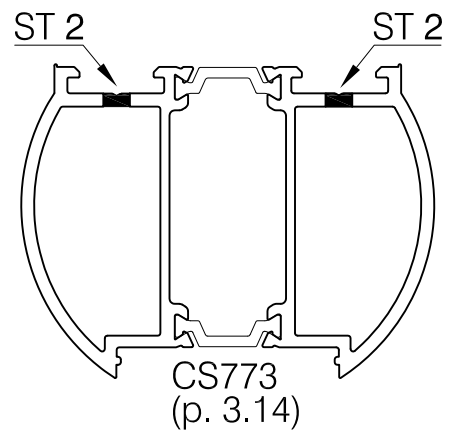
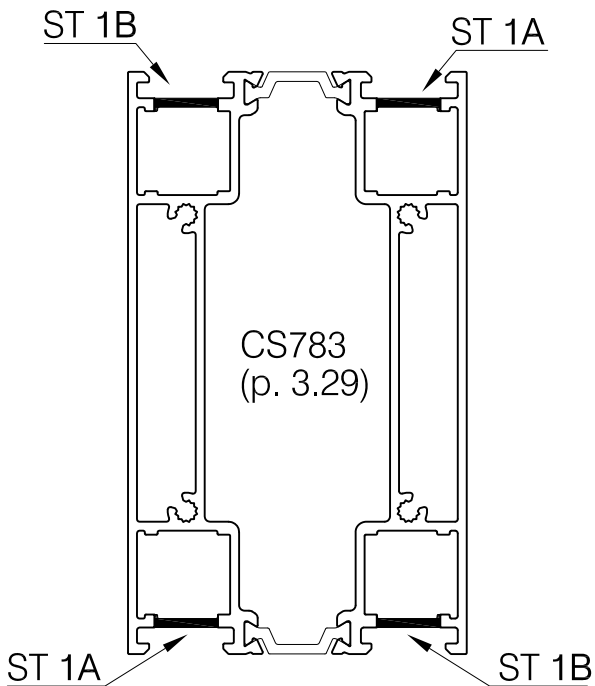
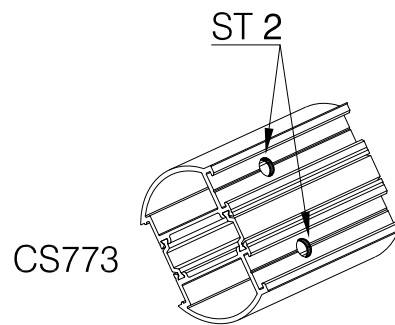
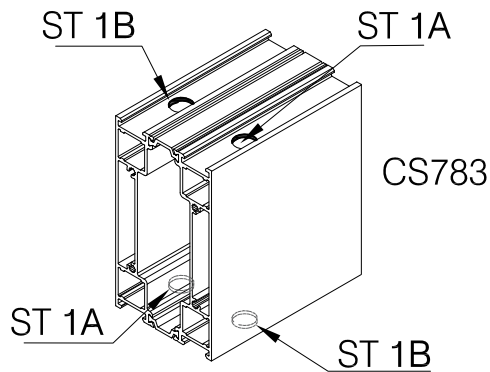
THE PARKSIDE GROUP LTD  
UNIT 5 ° THE WILLOW CENTRE  
17 WILLOW LANE ° MITCHAM  
SURREY ° CR4 4NX  
Tel: 020-8685 9685 Fax: 020-8687 1142  
Email: [technical@parksidegrp.co.uk](mailto:technical@parksidegrp.co.uk)  
Web Site: <http://www.comar-alu.co.uk>

SCALE	NTS	© A4
DATE	05/10/2020	
DRAWN	NRA	
DRG. No.	C7Pi-CD-3.55.2 R0	

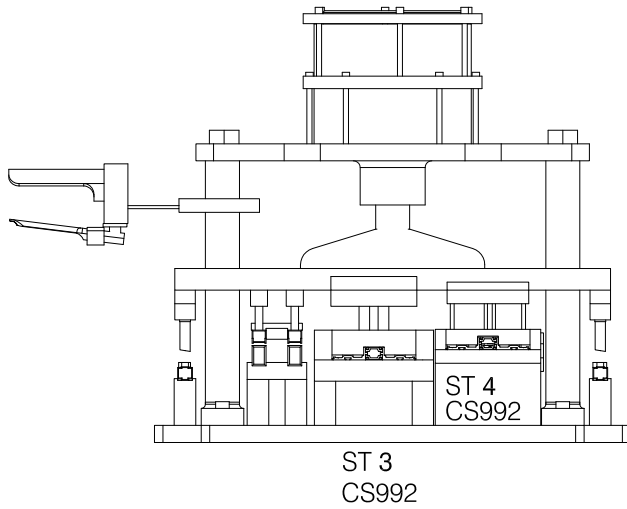


Tooling Ref:  
COM7Pi-CD1

Note: Please refer to the appropriate drawing for further details.

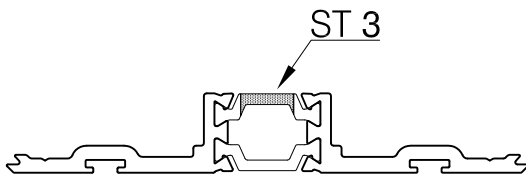
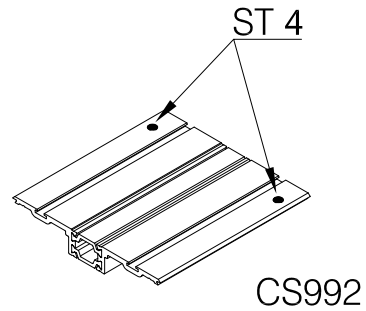
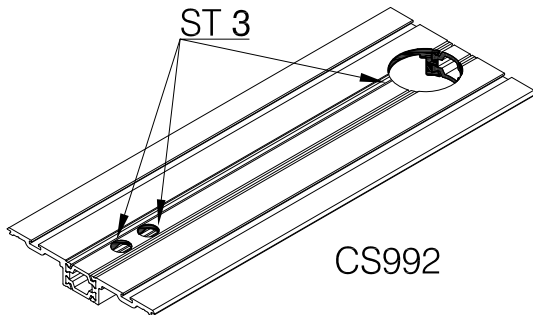


Copyright & ownership of this drawing is vested in COMAR Architectural Aluminium Systems, whose prior written consent is required for its use, reproduction or publication to any third party. All other rights reserved. Subject to modifications without prior notification

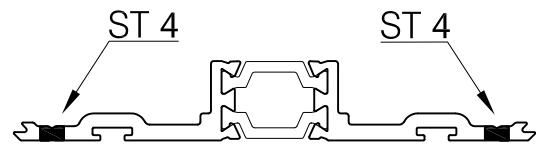


Tooling Ref:  
COM7Pi-CD1

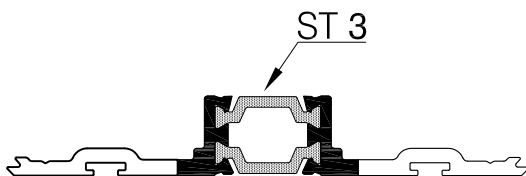
Note: Please refer to the appropriate drawing for further details.



CS992  
(p. 3.12 & 3.13)



CS992  
(p. 3.12 & 3.13)

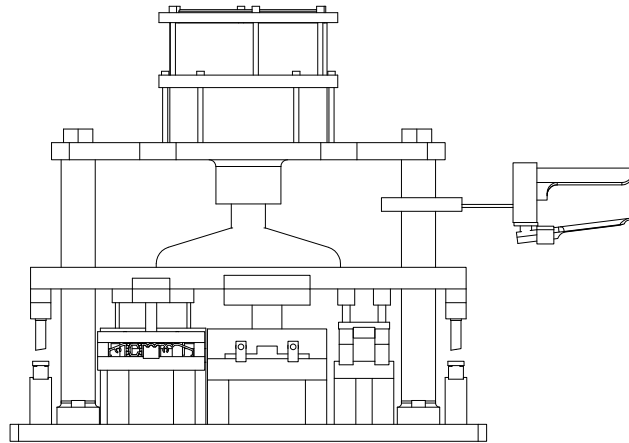


CS992  
(p. 3.12 & 3.13)

Copyright & ownership of this drawing is vested in COMAR Architectural Aluminium Systems, whose prior written consent is required for its use, reproduction or publication to any third party. All other rights reserved. Subject to modifications without prior notification



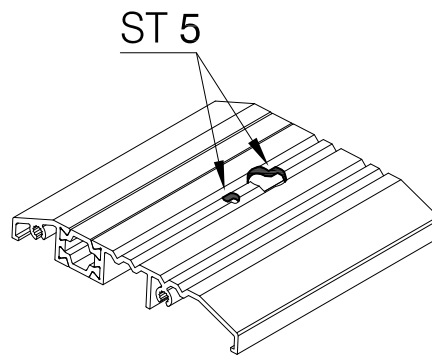
SCALE	NTS	@ A4
DATE	24/04/2017	
DRAWN	AMR / KD	
DRG. No.	C7Pi-CD-3.57 R0	



ST 5  
CS915

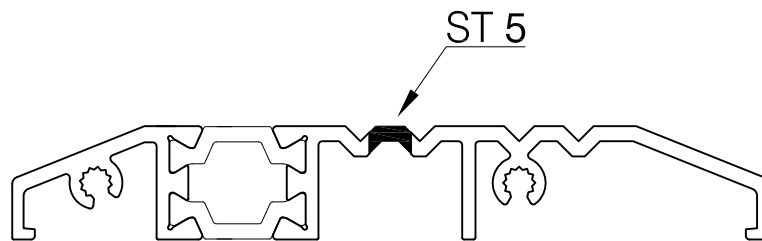
Tooling Ref:  
COM7Pi-CD1

Note: Please refer to the appropriate drawing for further details.

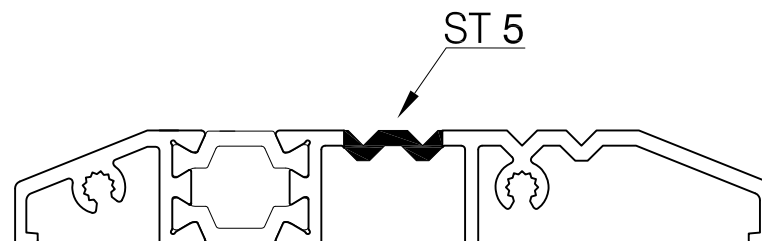


CS915

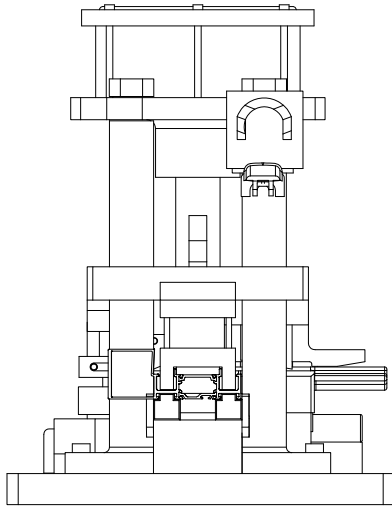
CS915  
(p. 3.18)



CS915  
(p. 3.18)



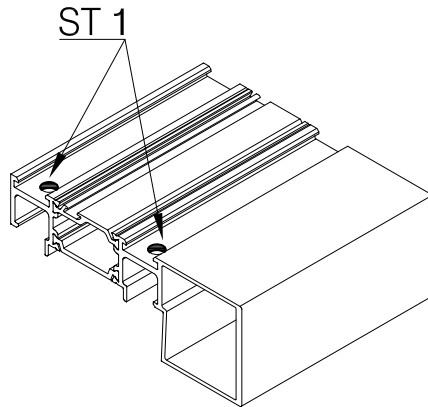
Copyright & ownership of this drawing is vested in COMAR Architectural Aluminium Systems, whose prior written consent is required for its use, reproduction or publication to any third party. All other rights reserved. Subject to modifications without prior notification



ST 1  
CS965

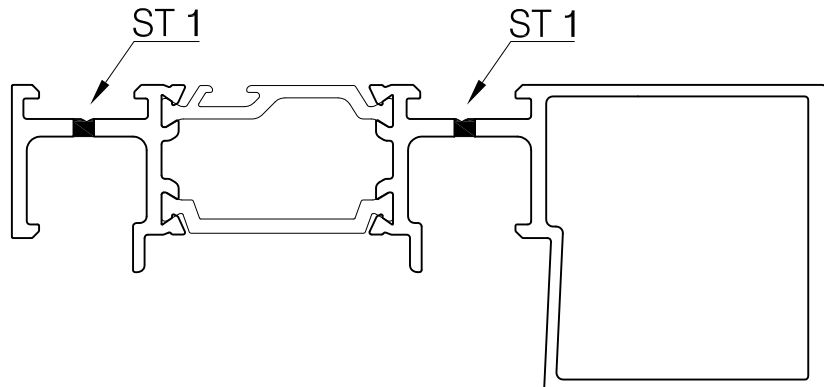
Tooling Ref:  
COM7Pi-CD2

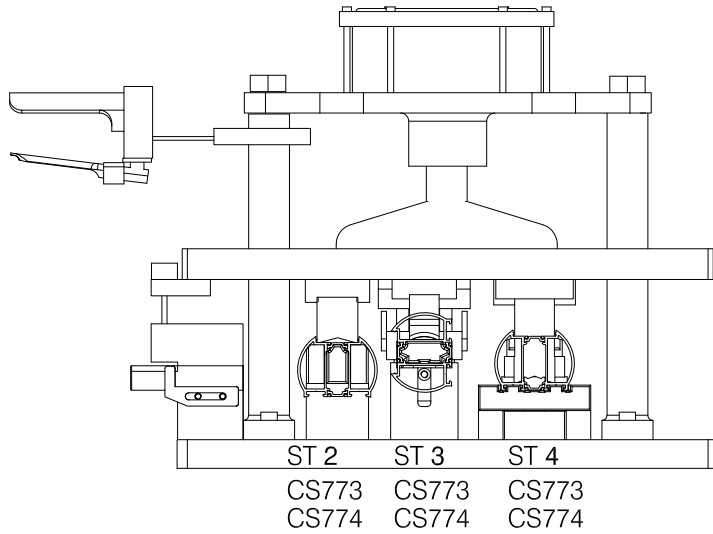
Note: Please refer to the appropriate drawing for further details.



CS965

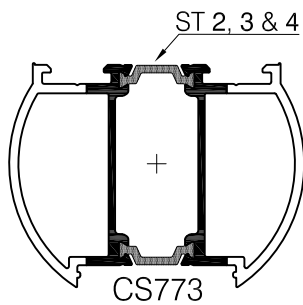
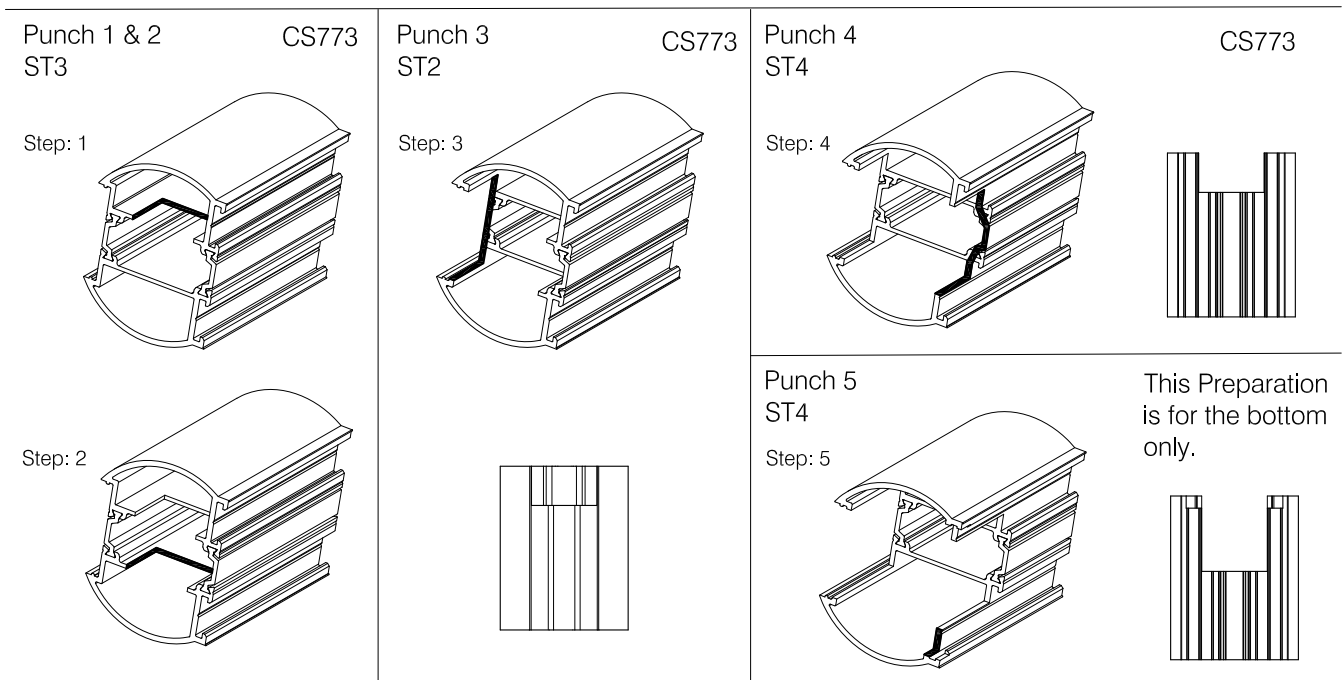
CS965  
(p. 3.18)



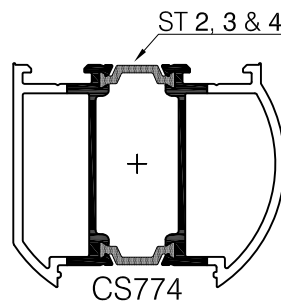


Tooling Ref:  
COM7Pi-CD2

Note: Please refer to the appropriate drawing for further details.

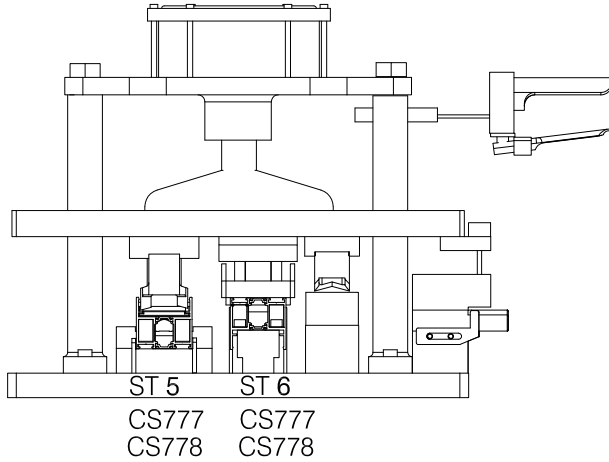


(p. 3.14)  
(p. 3.27)  
(p. 3.29)



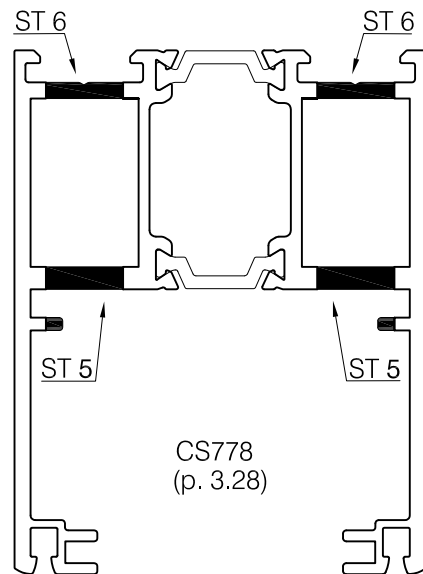
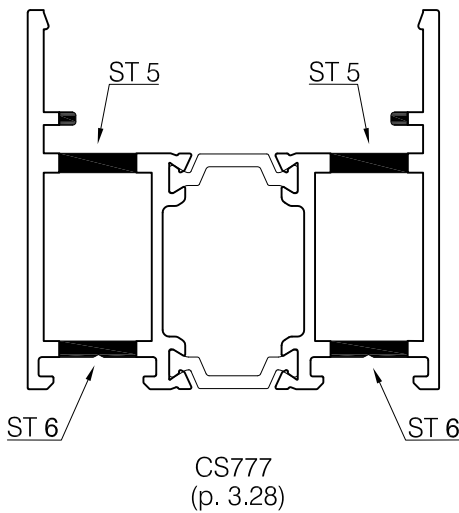
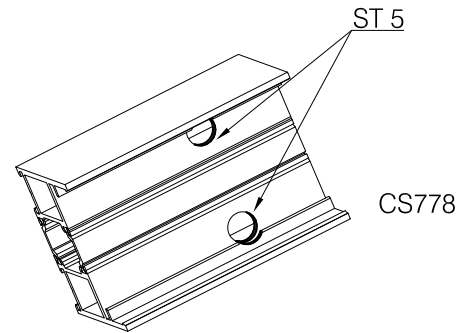
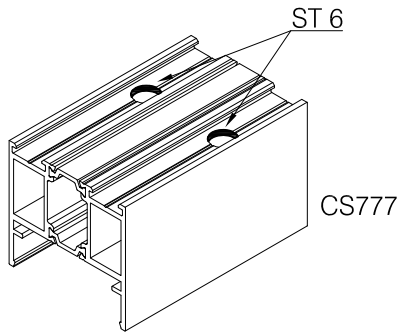
Note: A depth of 46mm will be achieved by two punching operations.





Tooling Ref:  
COM7Pi-CD2

Note: Please refer to the appropriate drawing for further details.



Copyright & ownership of this drawing is vested in COMAR Architectural Aluminium Systems, whose prior written consent is required for its use, reproduction or publication to any third party. All other rights reserved. Subject to modifications without prior notification



SCALE	NTS	@ A4
DATE	24/04/2017	
DRAWN	AMR / KD	
DRG. No.	C7Pi-CD-3.61 R0	