



CONTENTS

COMAR 7P./ COMMERCIAL DOOR

PART 1 INTRODUCTION / SPECIFICATION / BROADSHEETS

Introduction	Page No. 1.01
System Specification	1.02
Broadsheet Profiles	1.03-1.04
Broadsheet Ancillaries	1.05-1.06
Size Limitations	1.06.1-1.07.02
Lock and Mid Rail Position	1.08
Bead Screw Positions	1.09
Working Drawing	1.10-1.11
Fixing Details to Structure	1.12
PAS 24 Security Option Tested Door.	1.13-1.14

PART 2 FULL SIZE SECTIONS

Threshold Details	2.01 - 2.02
Head Details	2.03 - 2.04.2
Auto Door Head Details	2.05
Jamb Details	2.06 - 2.09
Meeting Stile Details.	2.10 - 2.11
Midrail Details	2.12 - 2.13
Jamb Detail - Increased Deep Lock Stile (Standard Option)	2.14
Jamb Detail - Panic Device Side Detail (Standard Option).	2.15
Jamb Detail - Increased Deep Lock Stile (Security Option).	2.16
Jamb Detail - Panic Device Side Detail (Security Option).	2.17

PART 3 FABRICATION

Cutting Lists	3.01 - 3.08.2
Assembly Details	3.09 - 3.12
Header Bar/Plate Preparation Details.	3.13
Top & Bottom Preparation Details	3.14
Concealed Closer Preparation Details	3.15 - 3.17
Threshold Preparation	3.18
Lock Preparation	3.19 - 3.24
Flush Bolt Preparation	3.25 - 3.26
Cleat Assembly & Preparation	3.27 - 3.28
MidRail Preparation	3.29
Keep Assembly	3.30
Bead Preparation	3.31
Panic Exit Preparation	3.32 - 3.38
Electric Strike Option	3.39 - 3.45
Threshold Preparation	3.46 - 3.47
Panic Exit LH-745 Preparation	3.48
Lock and Keep Preps	3.49 - 3.55
Tooling	3.56 - 3.61

PART 4 GLAZING

Standard Option	4.01 - 4.03
Security Option	4.04
Security Glazing Options.	4.05



INTRODUCTION

COMAR 7P./ COMMERCIAL DOOR

Exhibits the highest standards of design appeal, high strength and durability for today's more security conscious market and demonstrates a continuation of Comar's innovative approach to the design of Architectural Aluminium products.

The specific choice door profiles and ancillary equipment is designed for fabricators to meet the requirements of the latest Building Regulations, the Disability Discrimination Act and is tested to PAS24 BS/EN 1627-RC3 with two security locks (both engaged) Profiles are thermally broken with 'rolled in' polyamide profiles, to deliver an improved thermal performance. This allows specifiers to deliver a high performance door to the security conscious discerning customer.

The door can integrate with all Comar systems and allows for flexibility of design on projects in the commercial market.

All technical aspects of the range are covered in the product manual and further information is available from Comar's Technical Department for specific contract requirements.

This manual is copyright and ownership is vested in Comar Architectural Aluminium Systems whose prior written consent is required for its use.

The manual reproduction or publication to any third party that is not authorised in writing by Comar Architectural Aluminium Systems is strictly forbidden.

Telephone : 020 8685 9685
Fax No: 020 8646 5096
e-mail: technical@parksidegroup.co.uk
Web Site: <http://www.comar-alu.co.uk>

Registered number: 921619.

Registered office: The Parkside Group Ltd
Unit 5, The Willow Centre.
17 Willow Lane. MITCHAM.
Surrey. CR4 4NX UK



SPECIFICATION

COMAR 7P./ COMMERCIAL DOOR

Exhibits the highest standards of design appeal, strength and durability for today's security conscious commercial market.

MATERIALS

Aluminium alloy extruded profiles of 6063 T5 or T6 to BS EN 755 and BS EN 12020.

FINISHES

Aluminium profiles are finished to the following specifications:
Silver, Bronze and Black anodising to BS EN 12373-1:2001 or BS 3987
Liquid organic coating to BS 4842 or Polyester powder coating to BS 6496

CONSTRUCTION

Rails are square cut and design of stiles makes an almost invisible joint.
Stiles incorporate twin woolpile grooves to by-pass the lock.
A secure profile concealed under the door houses twin brush seals providing double weathering and draught proofing around the perimeter of the door. Low ramp drained or thermally broken thresholds are available.

GLAZING

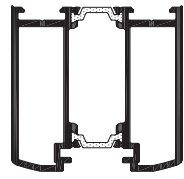
The standard option uses a wide range of glazing beads and gaskets allow for a choice of glazing thickness from 9mm to 45mm.
The security option Glass to be used is Intruder Resistant Glass that conforms to LPS 1270 (Loss Prevention Standard) and is set dry against the glazing tape and retained by mechanically fixed beads.

SPECIFICATION

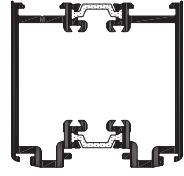
The door conforms to the aluminium industry standards of the trade association i.e. The Council for Aluminium in Building (CAB). The door also conforms to many of the requirements for aluminium windows specification BS4873.
A single door using this manual design has been security tested to PAS 24 BS/EN 1627-RC3 fitted with two locks (both engaged).

All technical aspects for this product are covered in the product manual and further information is available from Comar's Technical Department for specific contract requirements.

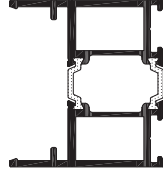
PROFILE SECTIONS BROADSHEET



CS772
DOOR STILE, PLAIN



CS771
DOOR STILE



CS777
DOOR TOP
RAIL



CS992
HEADER BAR PLATE

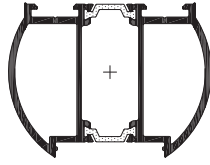


CS083
DRIP SECTION

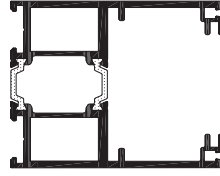
FX046XLF - STUD
OR
FX045SLF - SCREW FIXING
OR
FX047SLF - PROFILE RIVET FIXING



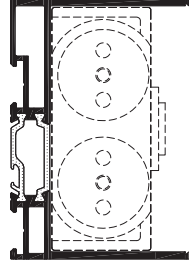
CS997
MULLION ADAPTOR



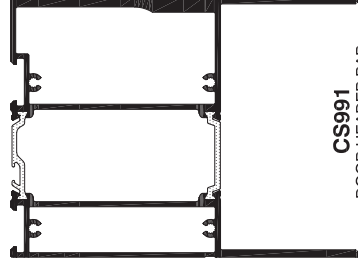
CS773
FINGER GUARD DOOR
STILE



CS778
DOOR BOTTOM
RAIL



CS993
HEADER BAR



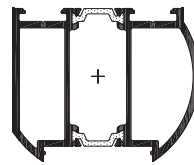
CS991
DOOR HEADER BAR



CS015
DOUBLE RAMP
THRESHOLD



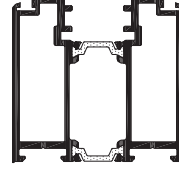
CS915
DOUBLE RAMP
THRESHOLD



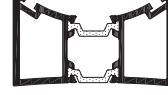
CS774
FINGER GUARD DOOR
STILE, PANIC EXIT



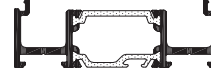
CS775
DOOR STILE
WOOLPILE



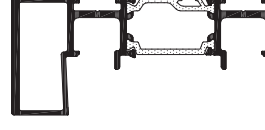
CS779
DOOR STILE
WOOLPILE



CS994
DOOR FINGER GUARD,
70MM PIVOT POINT



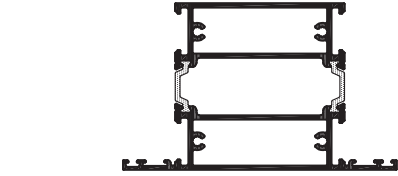
CS962
78mm MULLION
INFILL PLATE
NO LEG



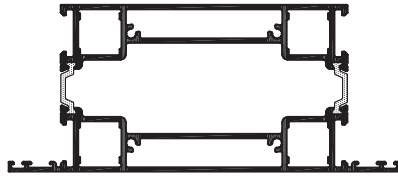
CS975
MULLION INTERNAL
BOX



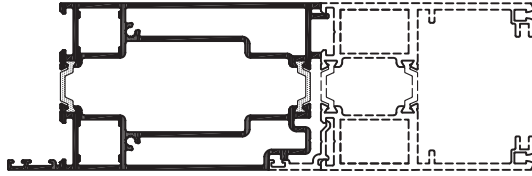
PROFILE SECTIONS BROADSHEET



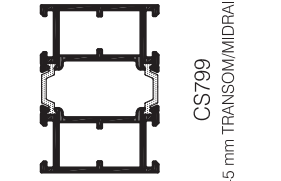
CS780
105mm
TRANSOM/MIDRAIL



CS781
150mm TRANSOM/MIDRAIL



CS784
100mm BOTTOM RAIL
EXTENSION



CS799
45mm TRANSOM/MIDRAIL



CS796
SECURITY BEAD
EXTERNAL



CS797
SECURITY BEAD
INTERNAL



CS798
SECURITY BEAD
COVER



CS925
GLAZING BEAD



CS926
GLAZING BEAD



CS927
GLAZING BEAD



CS928
GLAZING BEAD



CS929
GLAZING BEAD



CS930
GLAZING BEAD



CS422
GLAZING BEAD



CS100
RAIL BRUSH
WOOLPILE CARRIER



CS734
BOTTOM RAIL PLATE
47.8 x 3 mm



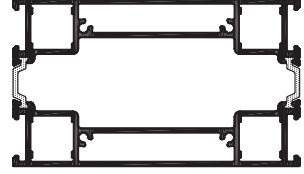
CS143
100 x 3mm FLAT



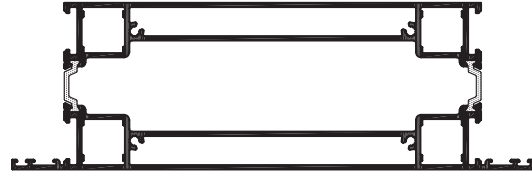
CS346
DRAINAGE TRAY
(FOR CS315,345,347,348)



CS072
DRAINAGE TRAY
(THERMALLY BROKEN OR PLAIN)



CS783
110mm SECURITY
OPTION DOOR MIDRAIL



CS782
200mm
TRANSOM/MIDRAIL



CS045
SINGLE RAMP THRESHOLD



CS715
SQUARE RAMP THRESHOLD



CS315
DOUBLE RAMP DRAINED
THRESHOLD



CS345
SINGLE RAMP DRAINED
THRESHOLD



COMMERCIAL DOOR ACCESSORIES BROADSHEET

 **GK906**
6MM GLAZING WEDGE

 **GK908**
8MM GLAZING WEDGE

 **GK910**
10MM GLAZING WEDGE

 **GK422**
2MM ARROW HEAD
GASKET

 **GK425**
5MM ARROW HEAD
GASKET

 **GK754**
BLACK COLOUR STRIP

 **WP012**
WOOLPILE
12MM BRUSH SEAL

 **WS916XSFLF**
ALIGNMENT FOR
TRANSOM / MULLION

 **SE003**
Kwikstick, 3mm
Glazing Tape

 **WP007**
WOOLPILE
7MM BASE 10MM LONG

 **FX035XSFLF**
N8 x 16mm Pan Head Stainless
Steel Self Tapping Screws

 **FX032XSFLF**
N8 x 32mm Pan Head Stainless
Steel Self Tapping Screws

 **WS902XSFLF**
SECURITY CLIP

 **FX039XSFLF**
N8 x 25mm Csk Stainless
Steel Self Tapping Screws

 **FX034XSFLF**
N8 x 16mm Csk Self
Tapping Screw

 **IN075XSFLF**
CLEFT BACK PLATE

 **FX802XSFLF**
M5 x 16mm Pan Head Stainless
Steel Machine Screws

 **FX800XSFLF**
M5 x 20mm Csk Stainless Steel
Machine Screws


 **WS918XKIT**
14.5 mm MIDRAIL CLEAT
1 x M5 x 10 mm GRUB SCREW
1 x M6 x 7 mm Csk SCREW

 **FX7003 XSFLF**
No.6 x 16 Pan Head Self Drill
NC700XSFLF
FIXING CLEAT
FOR TOP/BOTTOM RAILS

 **FX613 XSFLF**
M6 x 10mm Csk MACHINE
SCREW


 **FX213XSFLF**
M8 x 65mm
SOCKET HEAD BOLT


 **FX613 XSFLF**
M6 x 10mm Csk MACHINE
SCREW

 **FX795XSFLF**
Handle Fixing 95mm
Csk Stainless Steel
Machine Screws

 **FB62-041**
FLUSH BOLT
GUIDE BLOCK


 **IN077XSFLF**
FLUSH BOLT
FIXING PLATE

 **Part Of AXIM
TC-8800-03**

 **IN010XSFLF**
SECURITY PLATE


 **GK773**
ANTI FINGER TRAP


 **GK754**
DOOR CAVITY FILLER

 **AXIM CLOSER
WITH a 15mm
EXTENDED
SPINDLE**

 **M6 x 25mm Csk
FX077XSFLF**

 **FB-6501-F18**
AXIM FLUSH BOLT

 **Part of AXIM G Kit**

 **AXIM TC-8800 - 03 A-KIT**

 **IN070XSFLF**
BOTTOM PIVOT
FIXING PLATE

 **TC-8800-15**
END LOAD DRIVE
ARM

 **IN015XSFLF**
SILL
CONNECTOR
and SUPPORT

 **IN078XSFLF**
SECURITY TOP
ARM ANGLE

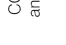
 **IN072XSFLF**
TOP ARM FIXING
PLATE

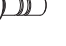
 **CL091**
DOOR STOP

 **IN001XSFLF**
SUPPORT
CHANNEL FOR
HEADER BAR


 **AC023XSFLF**
LOCK BODY
SPACER

 **AC024XSFLF**
HEX NUT LOCK
BODY SPACER


 **FX082XSFLF**
M10 STUD FOR
PUSH HANDLE

 **WS700XSFLF**
BOTTOM PIVOT
PROTECTOR


 **TC-9500-17**
BOTTOM PIVOT
ASSEMBLY

 **Scale**
Scale NTS @A4

 **DATE**
Date 18/01/2018

 **DRAWN**
Drawn KP/KD

 **DRG. No.**
Dr. No. C7Pi-CO-1.05

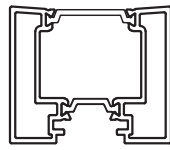
 **R5**

Copyright & ownership of this drawing is vested in COMAR Architectural Aluminium Systems, whose prior written consent is required for its use, reproduction or publication to any third party. All other rights reserved.



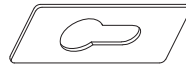
THE PARKSIDE GROUP LTD
UNIT 5 THE WILLOW CENTRE
17 WILLOW LANE MITCHEAM
SURREY GU24 0JH
Tel: 020-8695 6665 Fax: 020-8697 1142
Email: technical@parksidecorp.co.uk
Web Site: <http://www.comar-alu.co.uk>

ACCESSORIES BROADSHEET

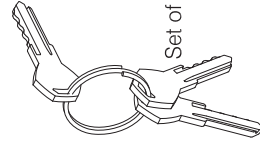
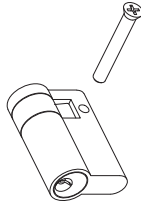


CS988
52mm Mullion Adapter

LK-092-SVR
ESCUTCHEON



LK479XS1F
35/70 HALF CYLINDER



Set of three keys

LK-2100-75
40.75mm ROUND CYLINDER



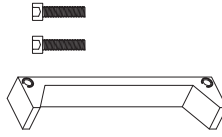
XX3092XS1F
#10x22



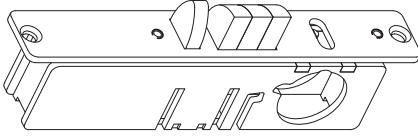
AC0245
Electric Strike Body Spacer



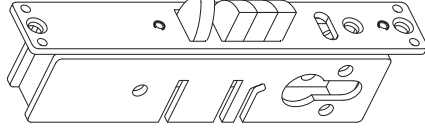
ES-2100-381
11.3mm EXTENSION LIPS



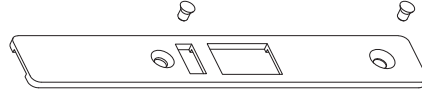
LK-2100-25-R Deadlatch



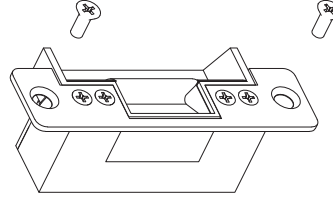
LK-2100-25-E Deadlatch



LK-2100-41 Face Plate



ES-2100-12FSAF or **SEC**
ES-2100-24FSAF or **SEC**



comar 7P.i

TITLE
**POLYAMIDE INSULATED DOORS
COMAR 7Pi COMMERCIAL DOOR**

SHEET No.
1.05.2

SUB TITLE
ACCESSORIES BROADSHEET

INTENTIONALLY
BLANK



comar
ARCHITECTURAL ALUMINIUM SYSTEMS

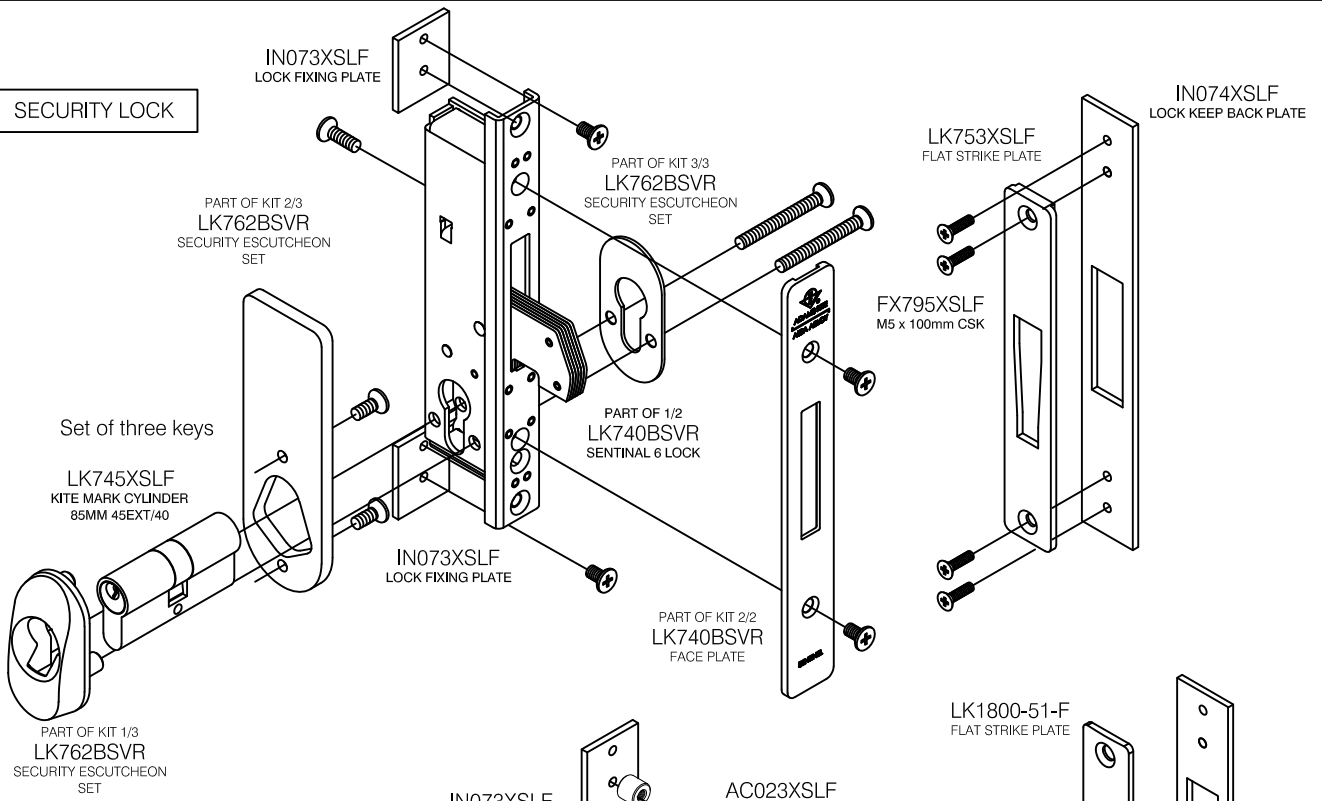


Copyright & ownership of this drawing is vested in COMAR Architectural Aluminium Systems, whose prior written consent is required for its use, reproduction or publication to any third party. All other rights reserved. Subject to modifications without prior notification

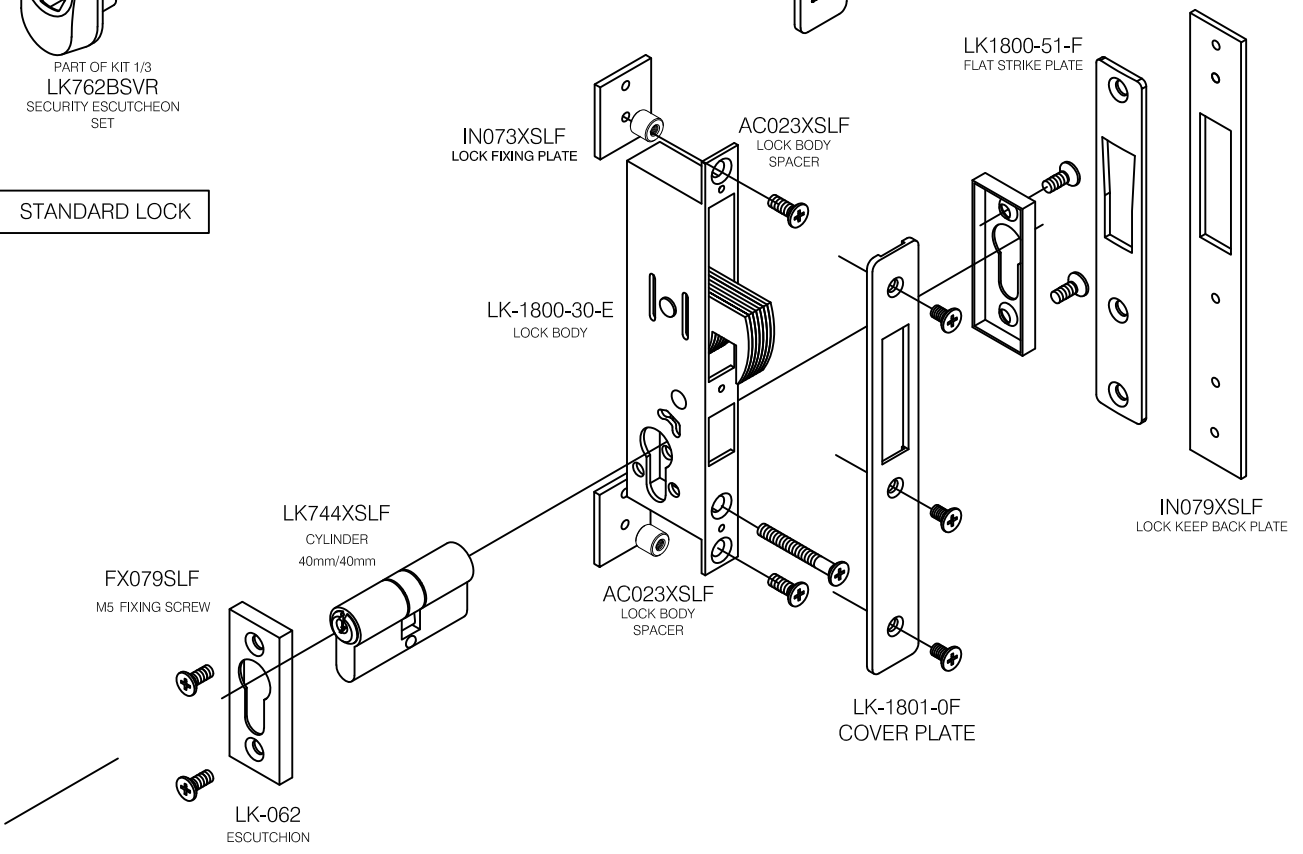
THE PARKSIDE GROUP LTD
UNIT 5 ° THE WILLOW CENTRE
17 WILLOW LANE ° MITCHAM
SURREY ° CR4 4NX
Tel: 020-8685 9685 Fax: 020-8687 1142
Email: technical@parksidegrp.co.uk
Web Site: <http://www.comar-alu.co.uk>

SCALE	NTS	@ A4
DATE	29/01/18	
DRAWN	KD	
DRG. No.	C7Pi-CD-1.05.2 R0	

SECURITY LOCK



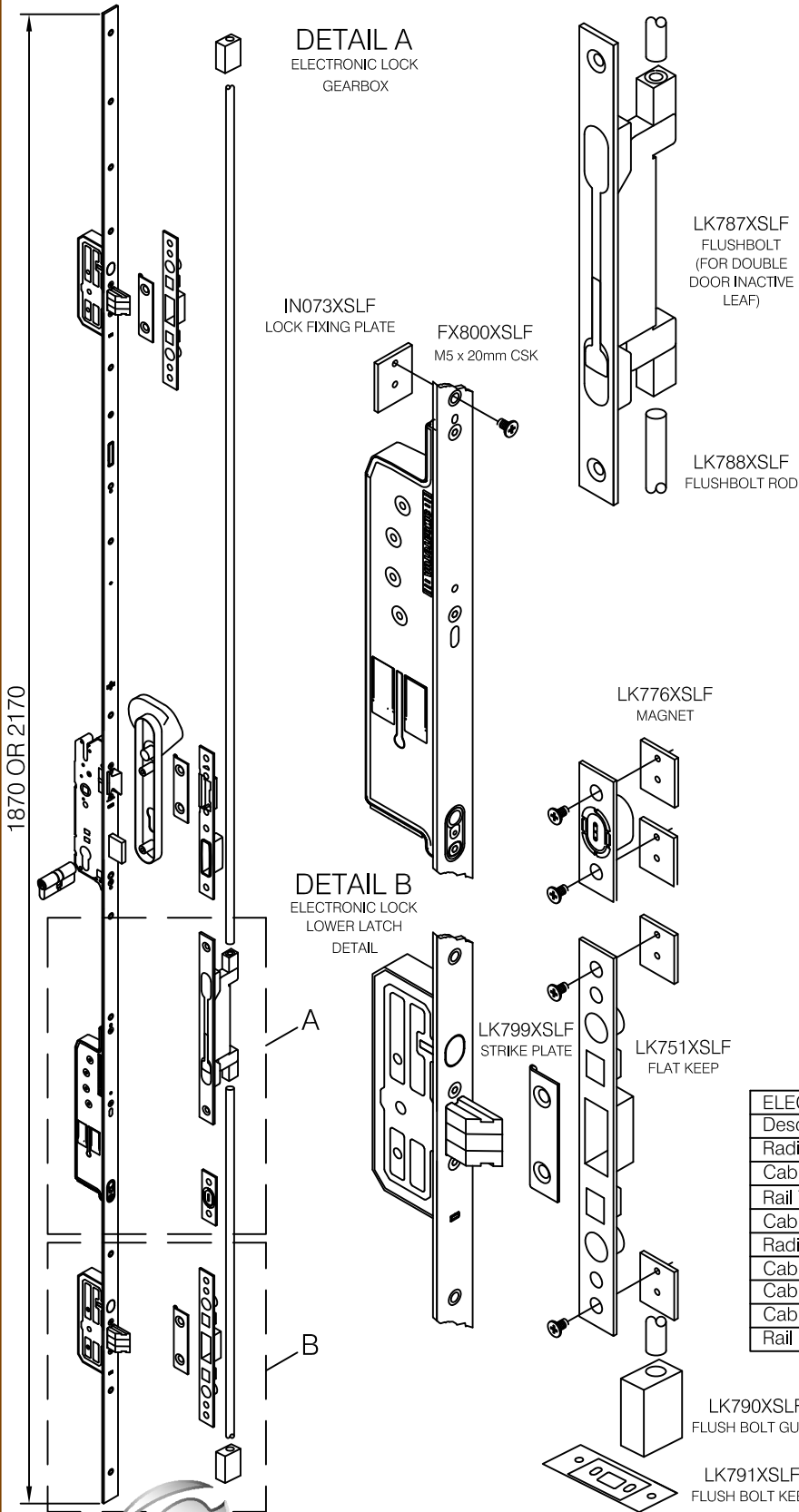
STANDARD LOCK



Copyright & ownership of this drawing is vested in COMAR Architectural Aluminium Systems, whose prior written consent is required for its use, reproduction or publication to any third party. All other rights reserved. Subject to modifications without prior notification

SCALE	NTS	@ A4
DATE	06/12/2019	
DRAWN	VM/KD/BB	
DRG. No.	C7Pi-CD-1.06 R3	

**PROJECT
ONLY**

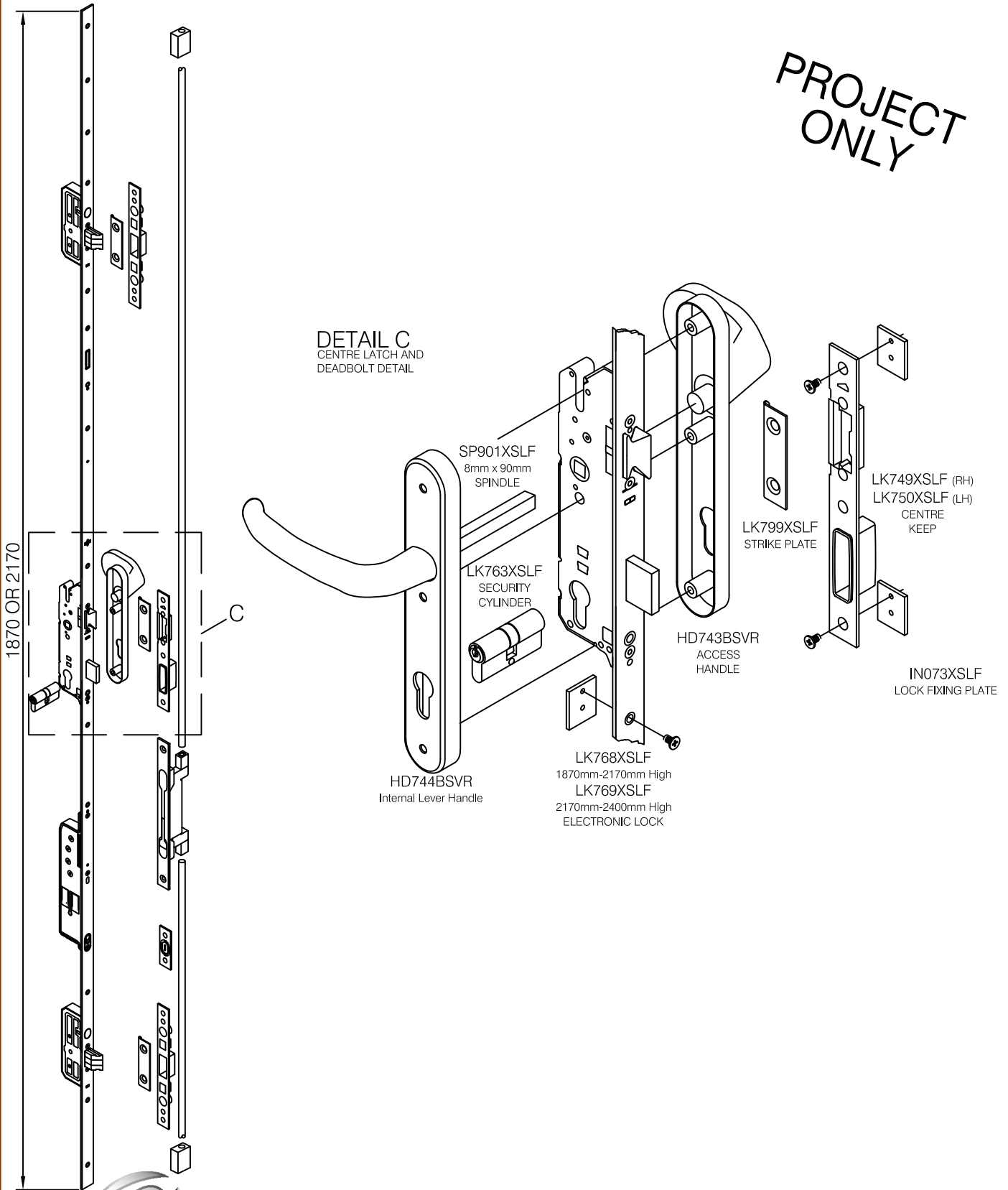


ELECTRONIC CONTROL OPTIONS	
Description	Part No
Radio Receiver Module with Master Key	LK780XSFL
Cable 6 Core 10m (standard)	LK781XSFL
Rail Transformer	LK782XSFL
Cable Duct Sheath	LK783XSFL
Radio Push Button	LK784XSFL
Cable Protection Grommets	LK785XSFL
Cable 3 Core 4m with 7 pin plug	LK794XSFL
Cable 3 Core 8m with plug	LK797XSFL
Rail Mounted Control Unit With Master Key	LK798XSFL

Note: Please reference
Electronic Locking
Document MBW15 for
wiring details and options

Copyright & ownership of this drawing is vested in COMAR Architectural Aluminium Systems, whose prior written consent is required for its use, reproduction or publication to any third party. All other rights reserved. Subject to modifications without prior notification

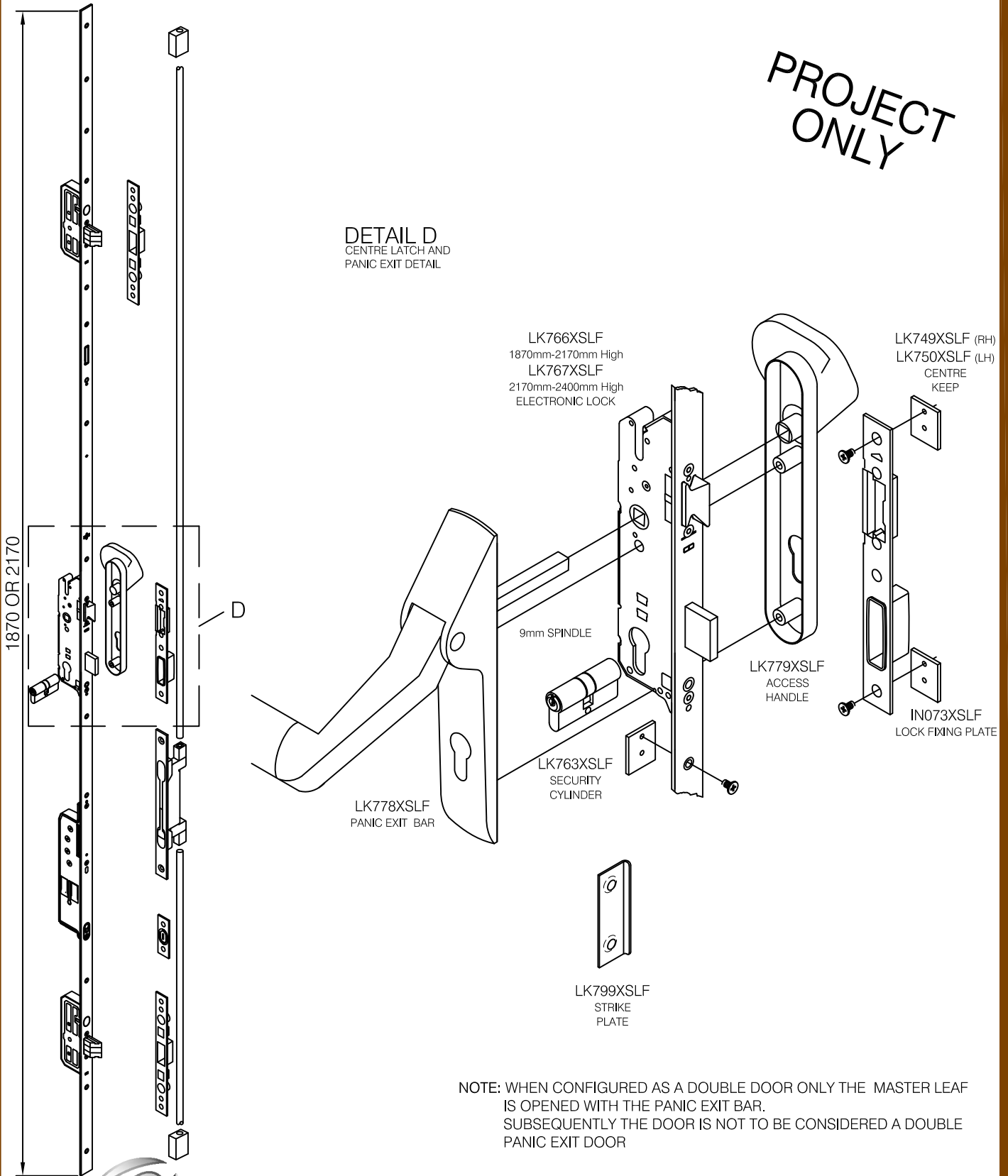
**PROJECT
ONLY**



Copyright & ownership of this drawing is vested in COMAR Architectural Aluminium Systems, whose prior written consent is required for its use, reproduction or publication to any third party. All other rights reserved. Subject to modifications without prior notification

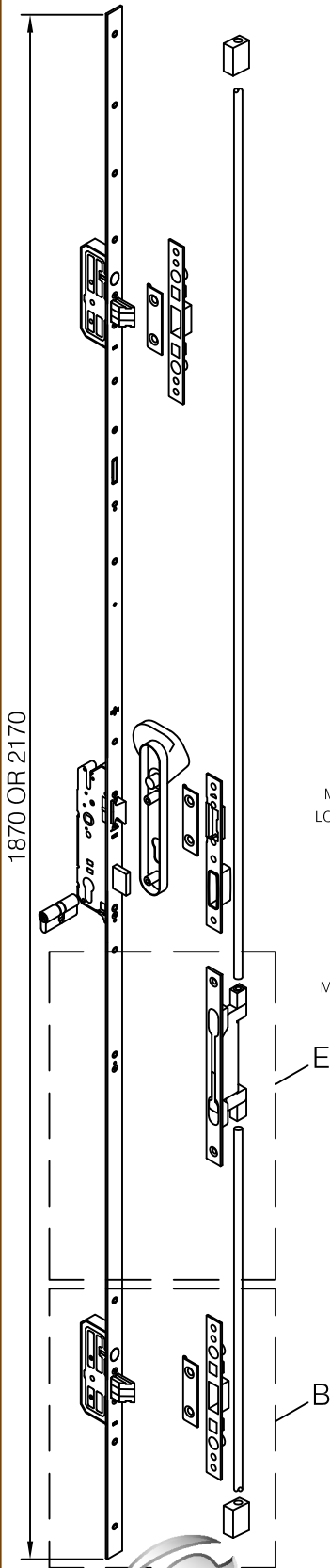
**PROJECT
ONLY**

DETAIL D
CENTRE LATCH AND
PANIC EXIT DETAIL

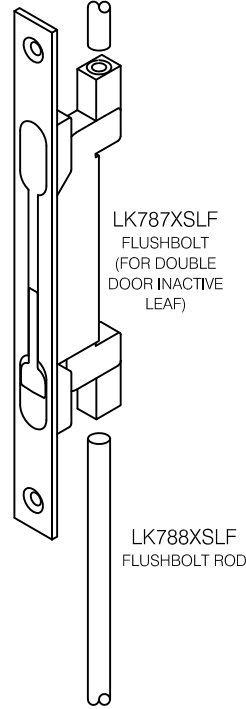


Copyright & ownership of this drawing is vested in COMAR Architectural Aluminium Systems, whose prior written consent is required for its use, reproduction or publication to any third party. All other rights reserved. Subject to modifications without prior notification

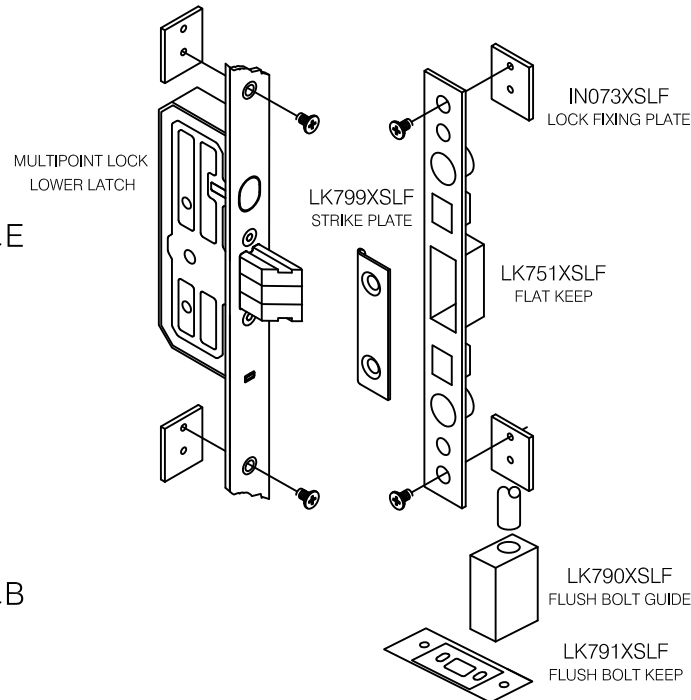
**PROJECT
ONLY**



DETAIL E
MULTIPOINT LOCK
DETAIL



DETAIL B
MULTIPOINT LOCK
LOWER LATCH
DETAIL

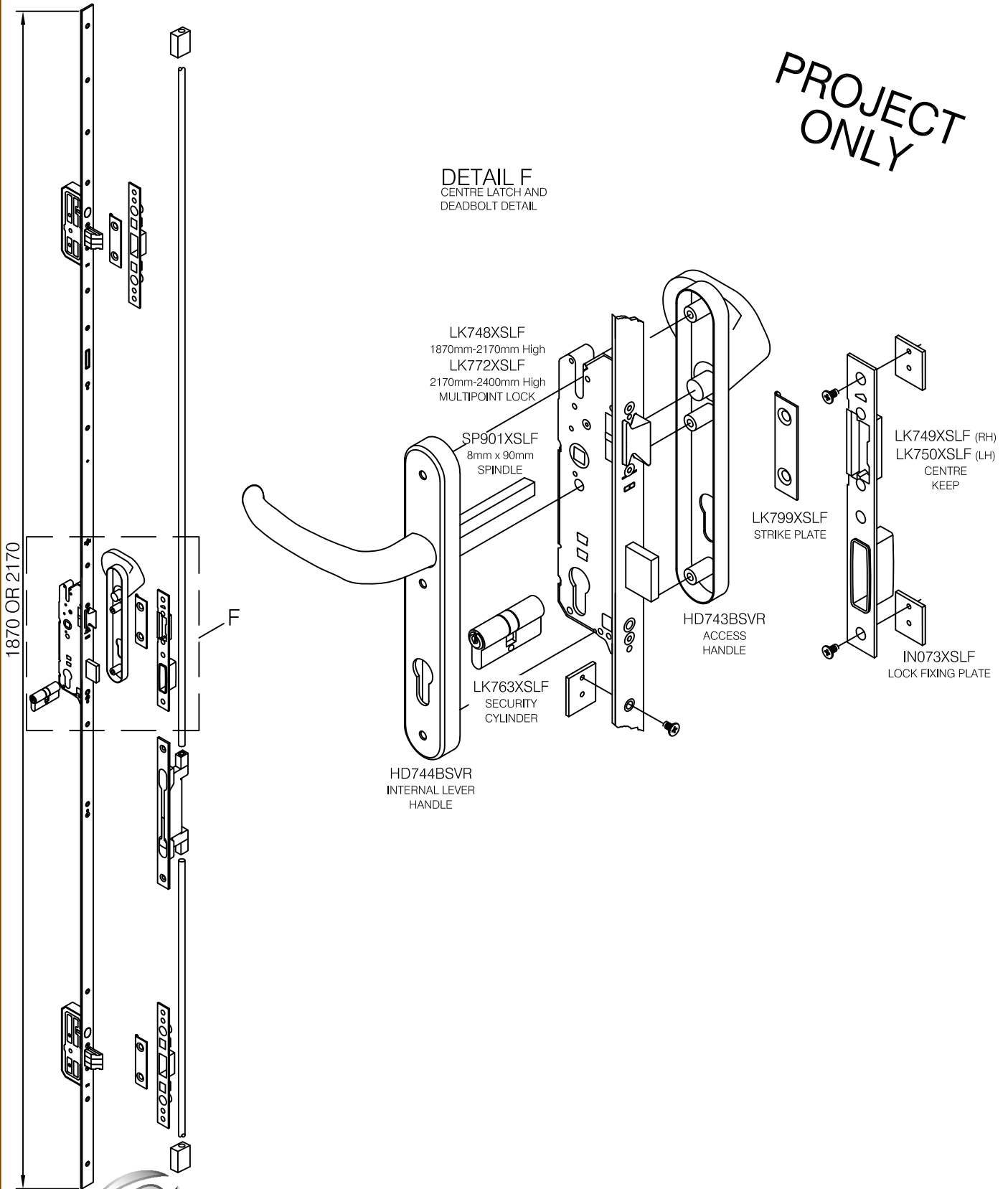


Copyright & ownership of this drawing is vested in COMAR Architectural Aluminium Systems, whose prior written consent is required for its use, reproduction or publication to any third party. All other rights reserved. Subject to modifications without prior notification

SCALE	NTS	@ A4
DATE	19/07/19	
DRAWN	NRA	
DRG. No.	C7Pi-CD-1.06.04 R1	

**PROJECT
ONLY**

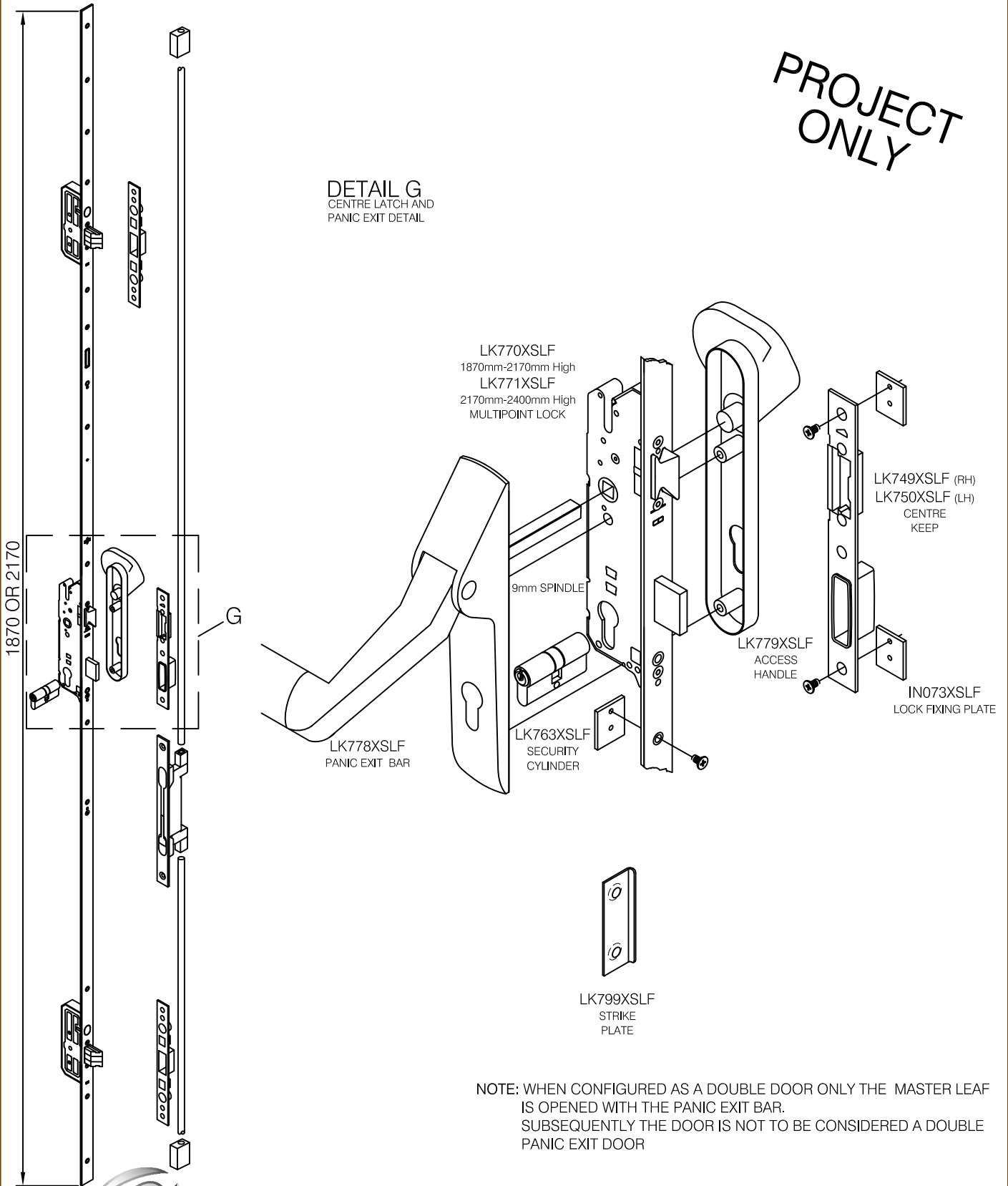
DETAIL F
CENTRE LATCH AND
DEADBOLT DETAIL



Copyright & ownership of this drawing is vested in COMAR Architectural Aluminium Systems, whose prior written consent is required for its use, reproduction or publication to any third party. All other rights reserved. Subject to modifications without prior notification

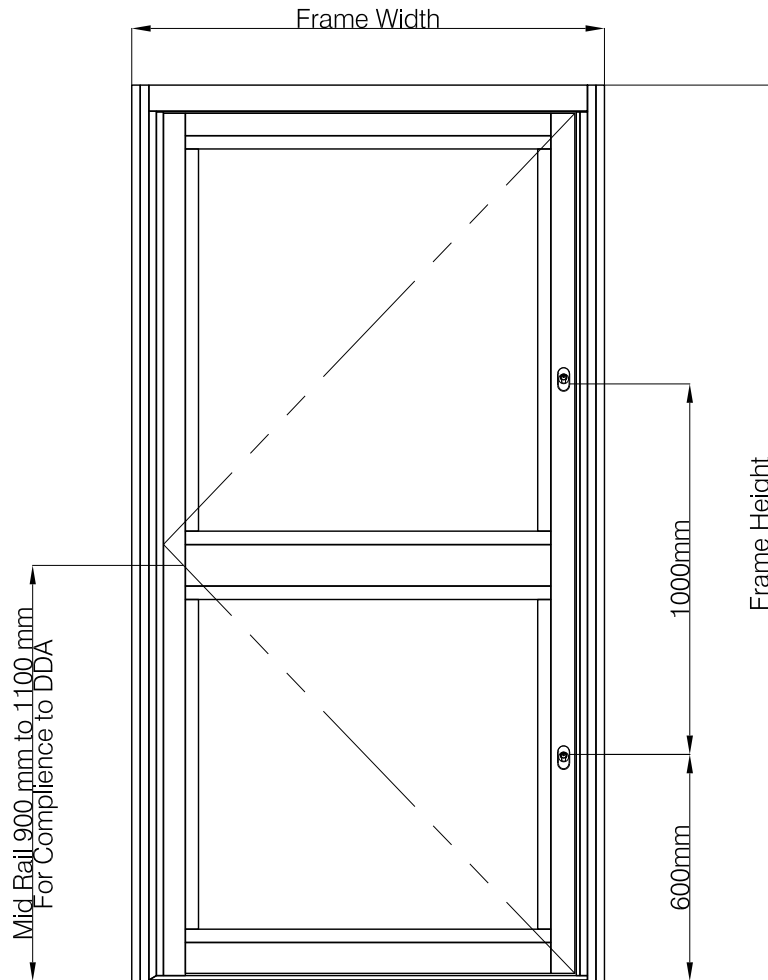
**PROJECT
ONLY**

DETAIL G
CENTRE LATCH AND
PANIC EXIT DETAIL



Copyright & ownership of this drawing is vested in COMAR Architectural Aluminium Systems, whose prior written consent is required for its use, reproduction or publication to any third party. All other rights reserved. Subject to modifications without prior notification

TITLE	POLYAMIDE INSULATED DOORS COMAR 7Pi COMMERCIAL DOOR	SHEET No. 1.07
SUB TITLE	STANDARD & PAS 24 SECURITY OPTION SIZE LIMITATIONS AND CONFIGURATIONS	



STANDARD AND PAS 24 SECURITY OPTION

UNIVERSAL CONCEALED TRANSOM CLOSER
180° SWING AND DELAYED ACTION
HOLD OPEN OPTIONS AVAILABLE
THREE CLOSING STRENGTHS AVAILABLE

AXIM TC8801-0015	8801-9015	SIZE 1
AXIM TC8802-0015	8802-9015	SIZE 2
AXIM TC8803-0015	8803-9015	SIZE 3

MAX DOOR LEAF WIDTH 1150mm MAX DOOR LEAF HEIGHT 2400mm MAX DOOR LEAF WEIGHT 100Kgs



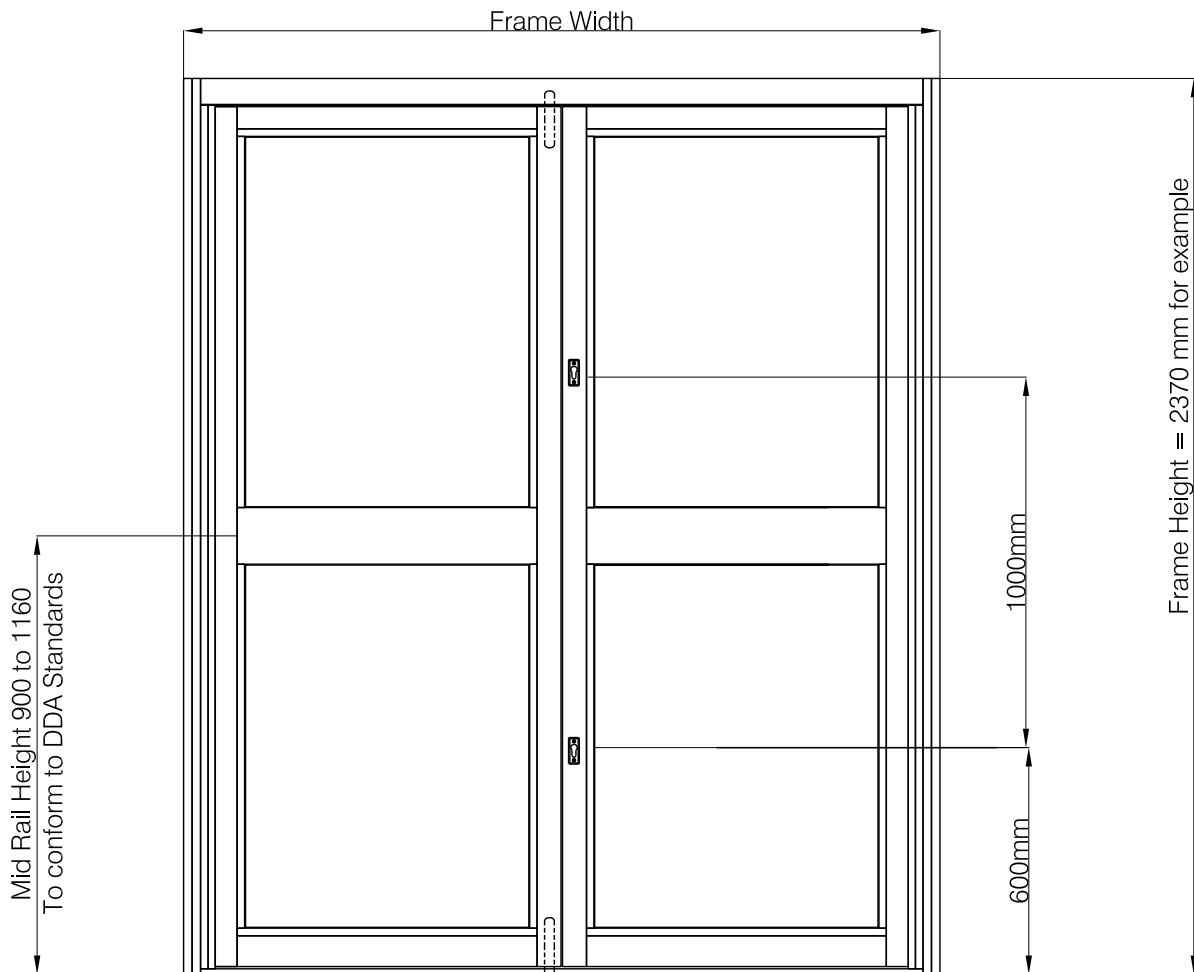
comar
ARCHITECTURAL ALUMINIUM SYSTEMS



Copyright & ownership of this drawing is vested in COMAR Architectural Aluminium Systems, whose prior written consent is required for its use, reproduction or publication to any third party. All other rights reserved. Subject to modifications without prior notification

THE PARKSIDE GROUP LTD
UNIT 5 ° THE WILLOW CENTRE
17 WILLOW LANE ° MITCHAM
SURREY ° CR4 4NX
Tel: 020-8685 9685 Fax: 020-8687 1142
Email: technical@parksidegrp.co.uk
Web Site: http://www.comar-alu.co.uk

SCALE	1: 20	© A4
DATE	03/10/2019	
DRAWN	KP/NRA/BB	
DRG. No.	C7Pi-CD-1.07	R5



PAS 24 SECURITY OPTION

HARDWARE LIST:

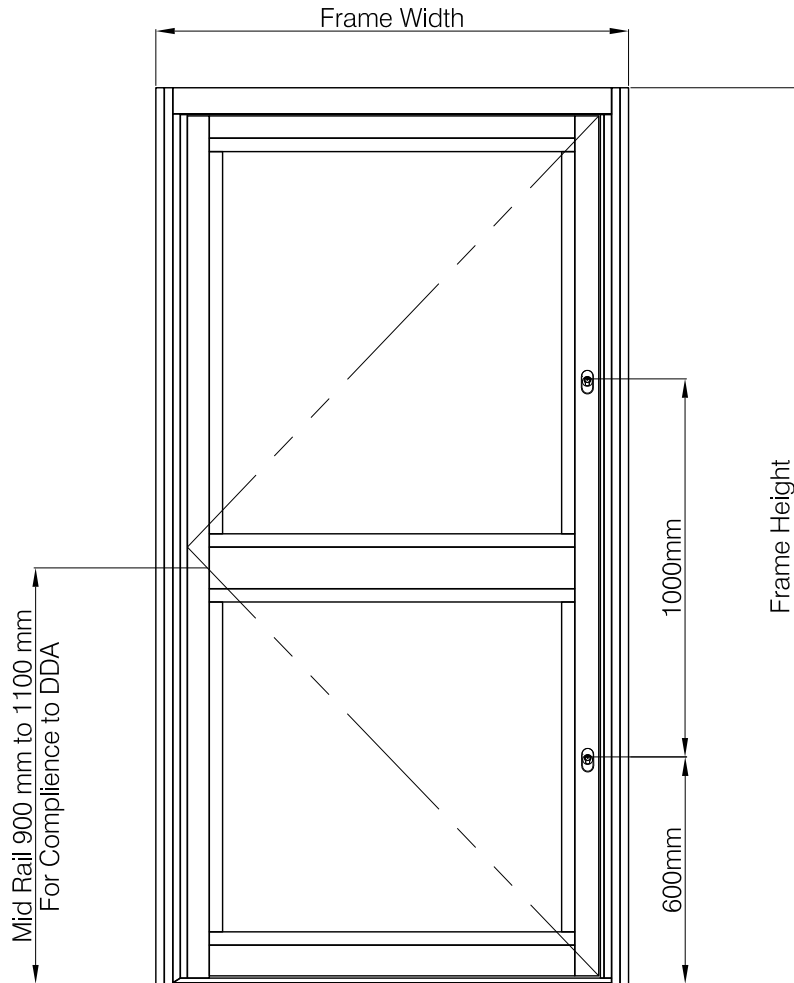
TRANSOM CLOSER AND BOTTOM PIVOT FOR CD	2
IN078XSLF SECURITY TOP ARM ANGLE	2
FB-6501-F18 AND FB-62-041 FLUSH BOLT (SLAVE DOOR)	2
STANDARD LOCK - PAGE C7Pi-CD-1.06 R1	2
LK745XSLF SECURITY CYLINDER	2
WS700XSLF BOTTOM PIVOT PROTECTOR	2

EXTERNAL CS795 BEAD FIXED IN PLACE WITH FX034 EVERY 300mm
USE WS902XSLF SECURITY GLAZING CLIPS

ALL OTHER COMPONENTS AS PER STANDARD DOOR



SCALE	1: 20	© A4
DATE	11/09/20	
DRAWN	AMR/NRA	
DRG. No.	C7Pi-CD-1.07.01 R2	



PAS 24 SECURITY OPTION

HARDWARE LIST:

TRANSOM CLOSER AND BOTTOM PIVOT FOR CD	1
IN078XSLF SECURITY TOP ARM ANGLE	1
STANDARD LOCK - PAGE C7Pi-CD-1.06 R1	2
LK745XSLF SECURITY CYLINDER	2
WS700XSLF BOTTOM PIVOT PROTECTOR	1

EXTERNAL CS795 BEAD FIXED IN PLACE WITH FX034 EVERY 300mm
USE WS902XSLF SECURITY GLAZING CLIPS

ALL OTHER COMPONENTS AS PER STANDARD DOOR



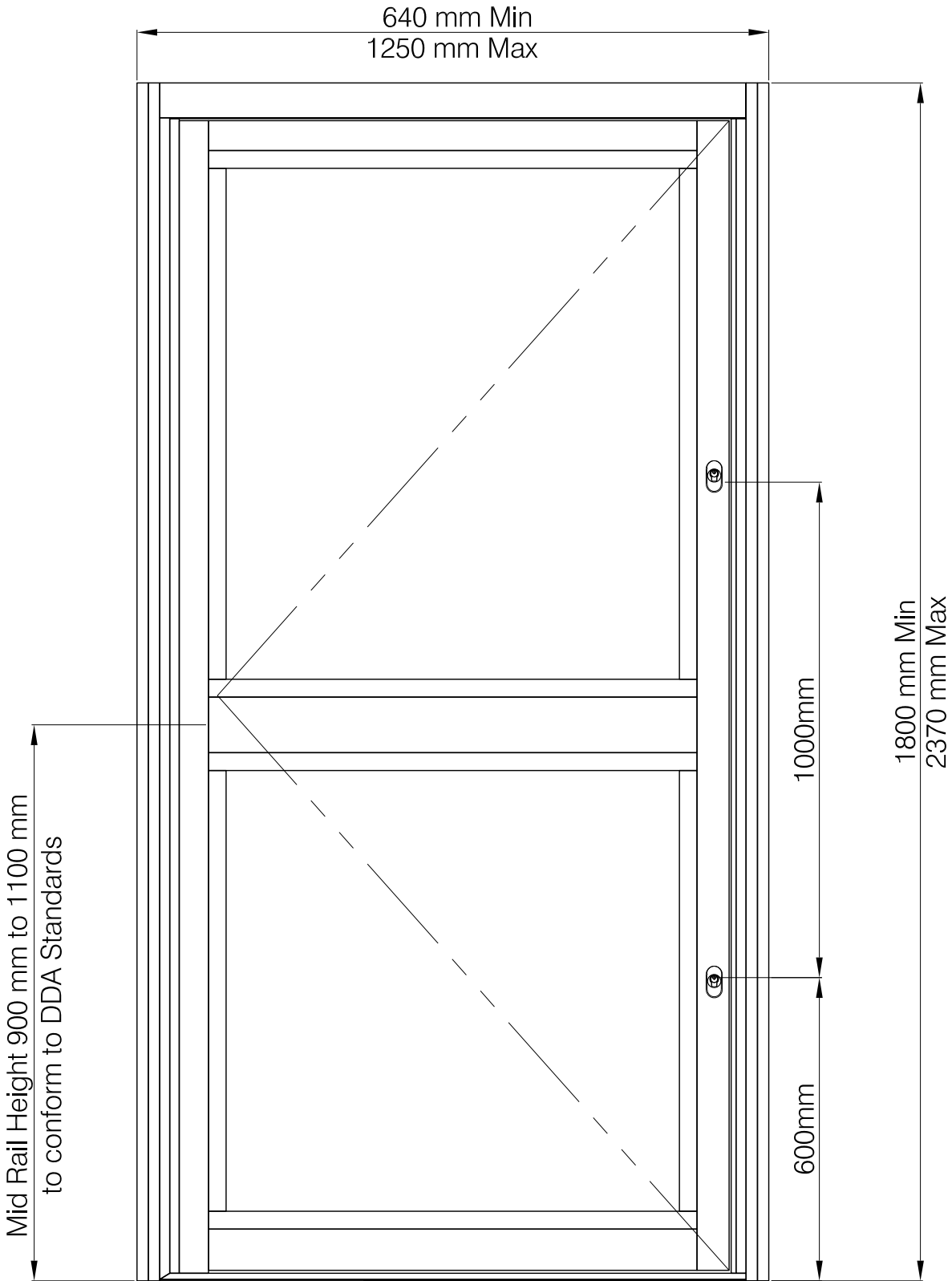
SCALE	1: 20	© A4
DATE	11/09/20	
DRAWN	AMR/NRA	
DRG. No.	C7Pi-CD-1.07.02 R2	

comar 7P.i

TITLE **POLYAMIDE INSULATED DOORS
COMAR 7Pi COMMERCIAL DOOR**

SHEET No.
1.08

SUB TITLE **BS EN 1627 SECURITY OPTION
LOCK AND MID RAIL POSITION**



Copyright & ownership of this drawing is vested in COMAR Architectural Aluminium Systems, whose prior written consent is required for its use, reproduction or publication to any third party. All other rights reserved. Subject to modifications without prior notification

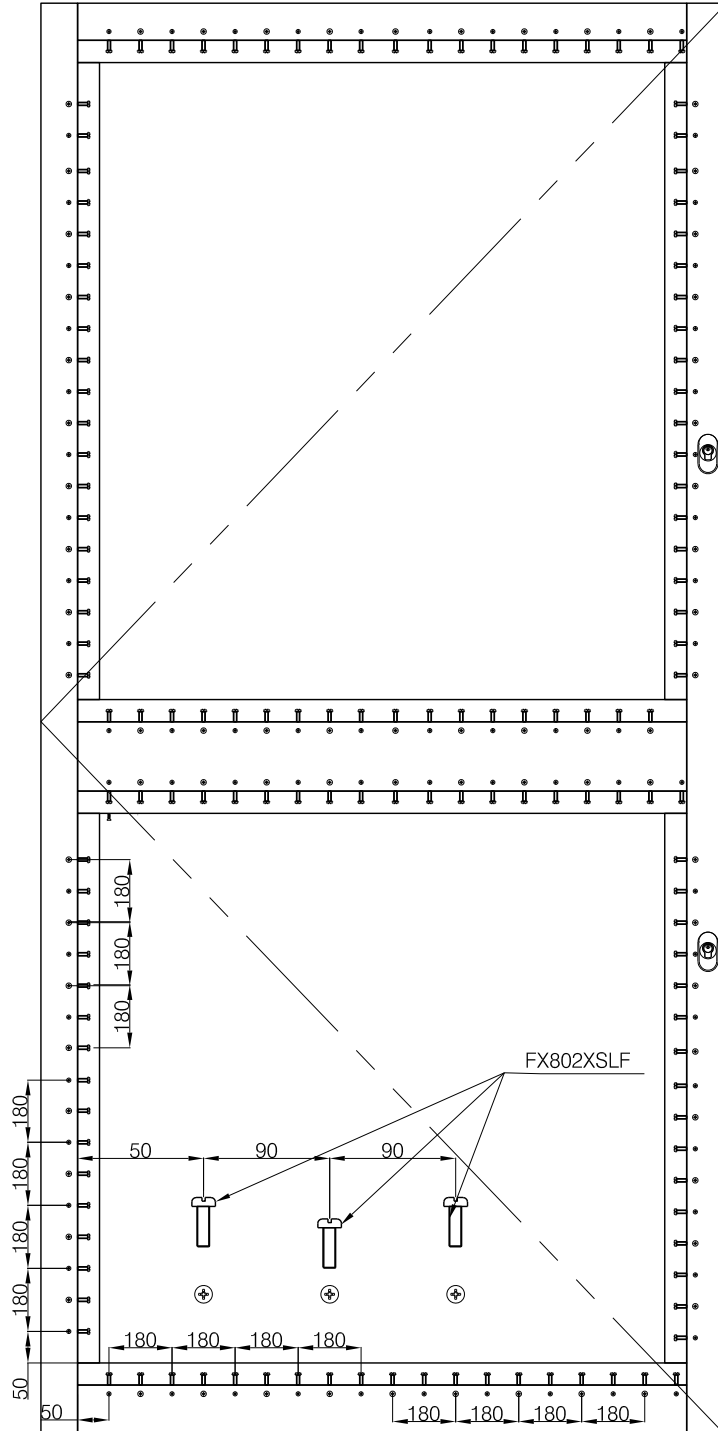


comar
ARCHITECTURAL ALUMINIUM SYSTEMS



THE PARKSIDE GROUP LTD
UNIT 5 ° THE WILLOW CENTRE
17 WILLOW LANE ° MITCHAM
SURREY ° CR4 4NX
Tel: 020-8685 9685 Fax: 020-8687 1142
Email: technical@parksidegrp.co.uk
Web Site: <http://www.comar-alu.co.uk>

SCALE	1: 16	© A4
DATE	03/10/19	
DRAWN	VM/KP/BB	
DRG. No.	C7Pi-CD-1.08	R3



NOTE:
FOR A SECURITY RATED DOOR
THE SCREWS ARE TO BE
INSTALLED AS PER THE MANUAL

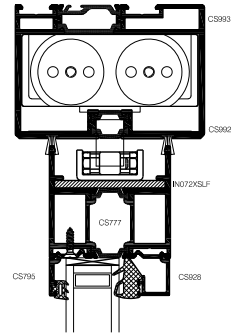
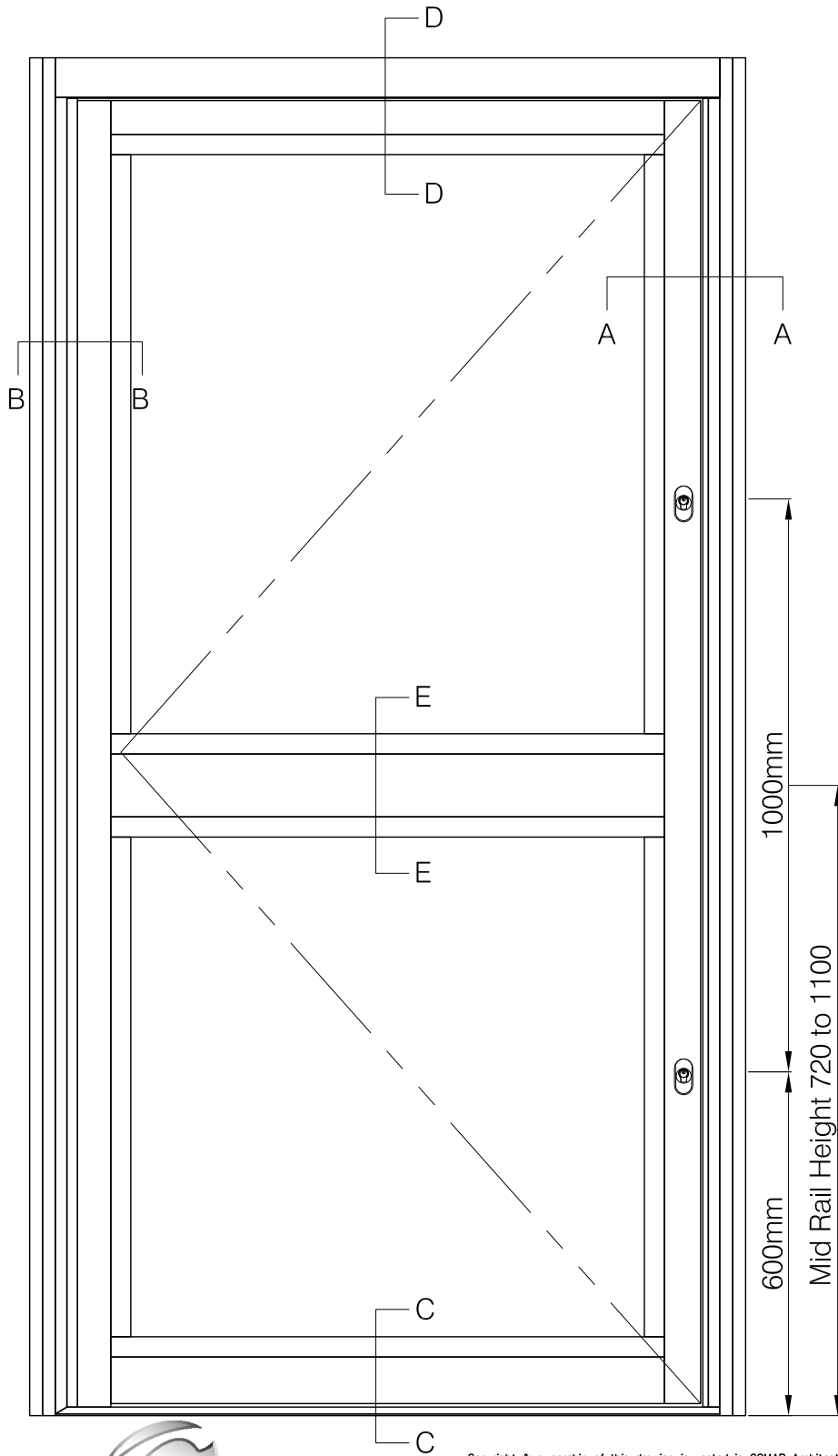
SEE PAGE 3.31 FOR FURTHER
DETAILS

Copyright & ownership of this drawing is vested in COMAR Architectural Aluminium Systems, whose prior written consent is required for its use, reproduction or publication to any third party. All other rights reserved. Subject to modifications without prior notification

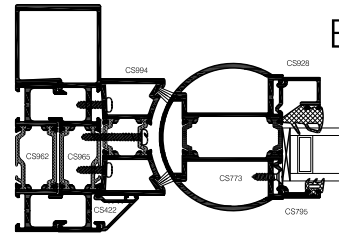
SCALE	1: 12	© A4
DATE	06/12/2019	
DRAWN	VM / CAD/ BB	
DRG. No.	C7Pi-CD-1.09	R2

comar 7P.i

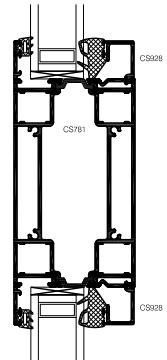
TITLE	POLYAMIDE INSULATED DOORS COMAR 7Pi COMMERCIAL DOOR	SHEET No. 1.10
SUB TITLE	STANDARD OPTION OUTER FRAME AND DOOR FRAME WORKING DRAWING / DIAGRAM	



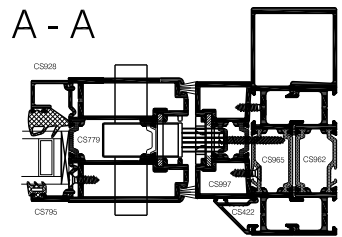
D - D



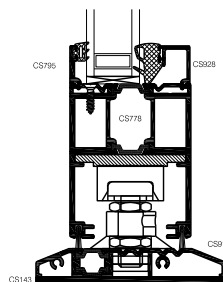
B - B



E - E



A - A



C - C

1000mm
600mm
Mid Rail Height 720 to 1100
To conform to DDA Standards

Copyright & ownership of this drawing is vested in COMAR Architectural Aluminium Systems, whose prior written consent is required for its use, reproduction or publication to any third party. All other rights reserved. Subject to modifications without prior notification

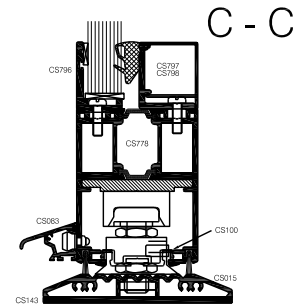
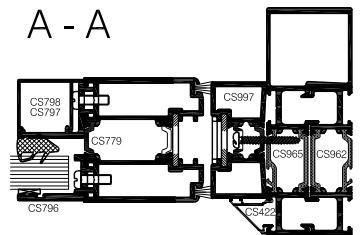
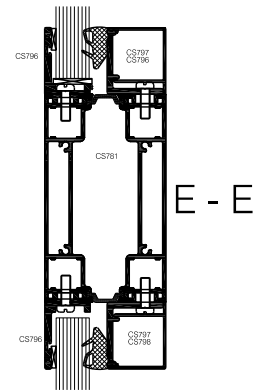
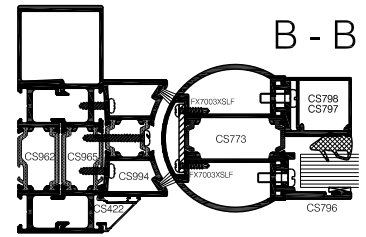
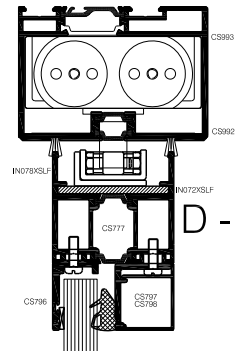
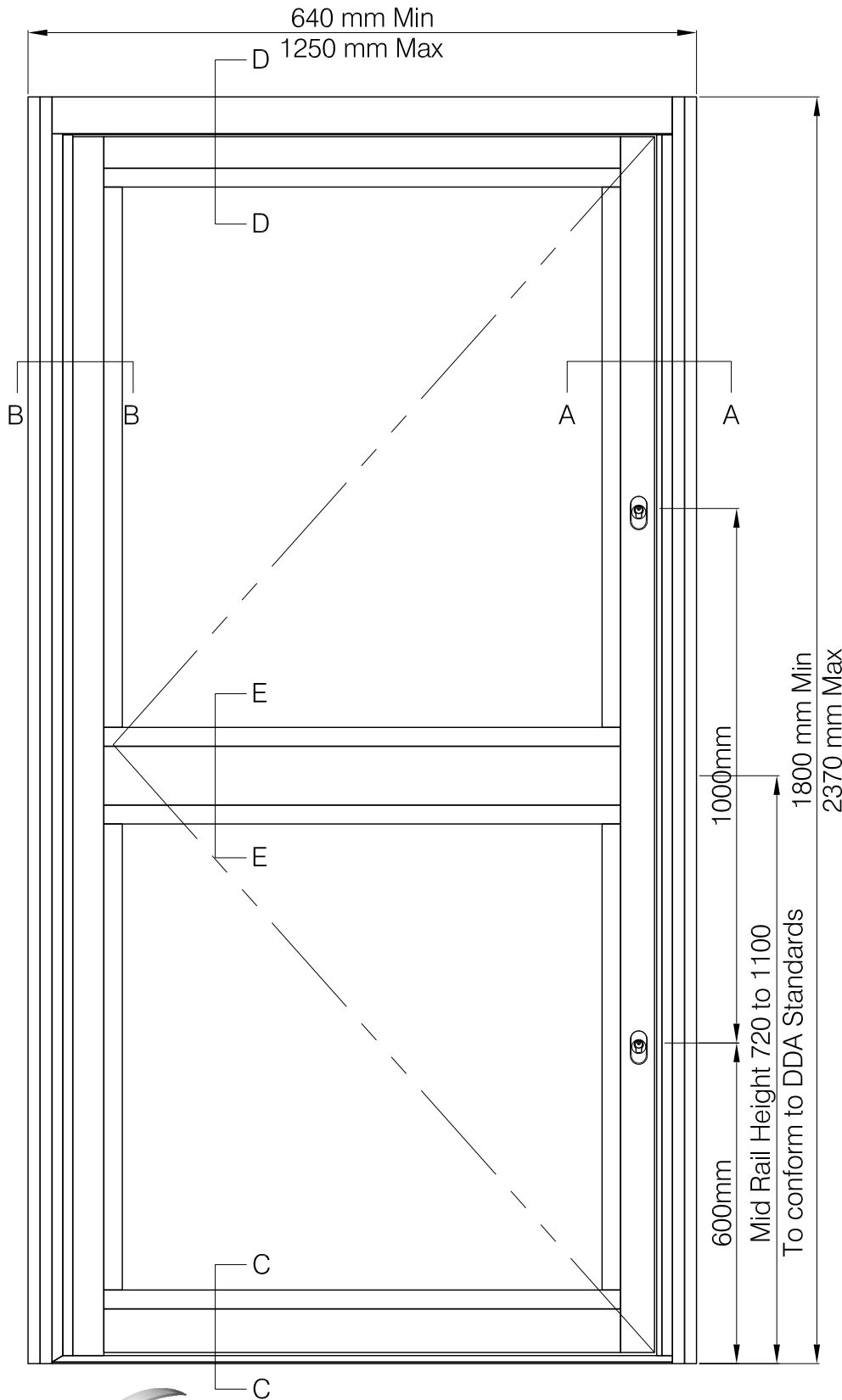


THE PARKSIDE GROUP LTD
UNIT 5 ° THE WILLOW CENTRE
17 WILLOW LANE ° MITCHAM
SURREY ° CR4 4NX
Tel: 020-8685 9685 Fax: 020-8687 1142
Email: technical@parksidegrp.co.uk
Web Site: http://www.comar-alu.co.uk

SCALE	NTS	© A4
DATE	03/10/2019	
DRAWN	VM/KP/BB	
DRG. No.	C7Pi-CD-1.10	R3

comar 7P.i

TITLE	POLYAMIDE INSULATED DOORS COMAR 7Pi COMMERCIAL DOOR	SHEET No. 1.11
SUB TITLE	BS EN 1627 SECURITY OPTION OUTER FRAME AND DOOR FRAME WORKING DRAWING / DIAGRAM	

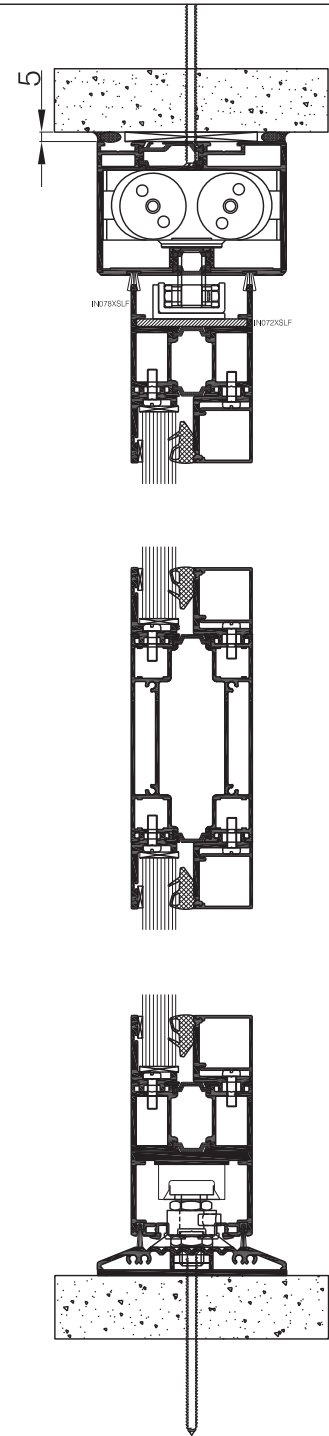
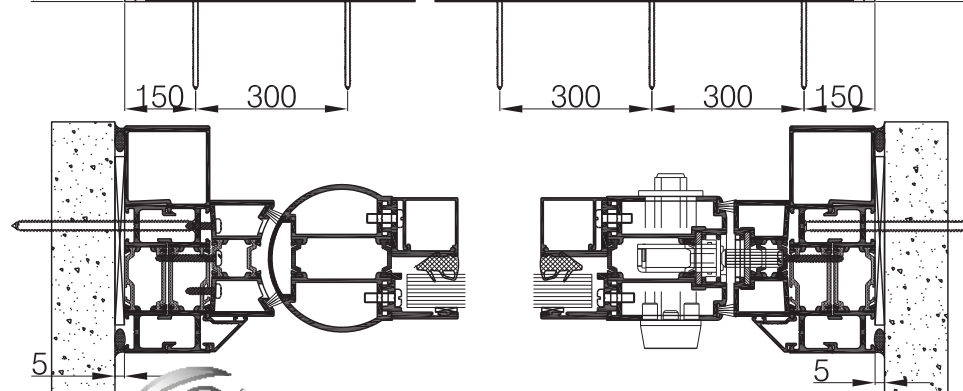
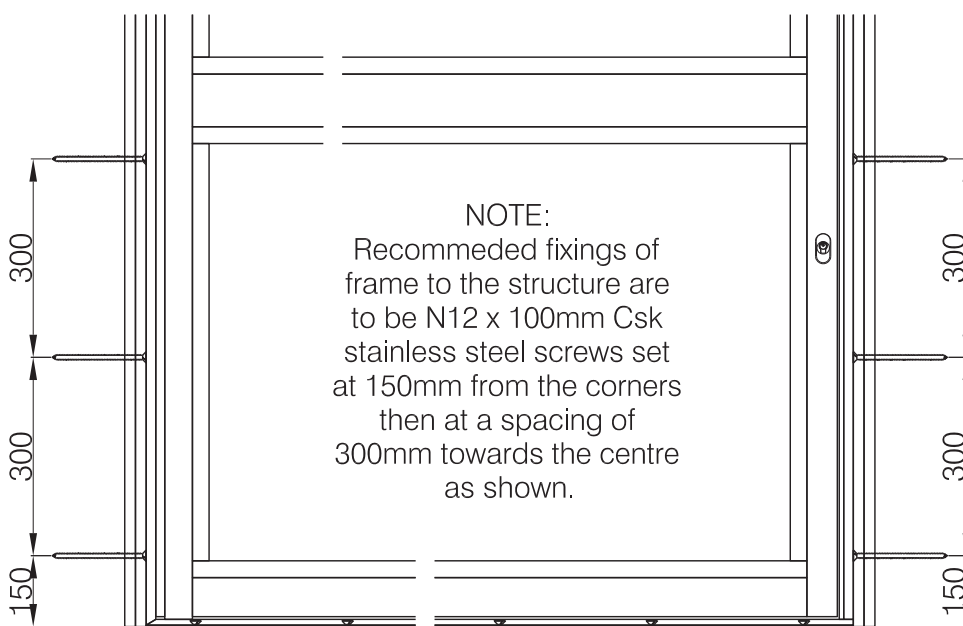
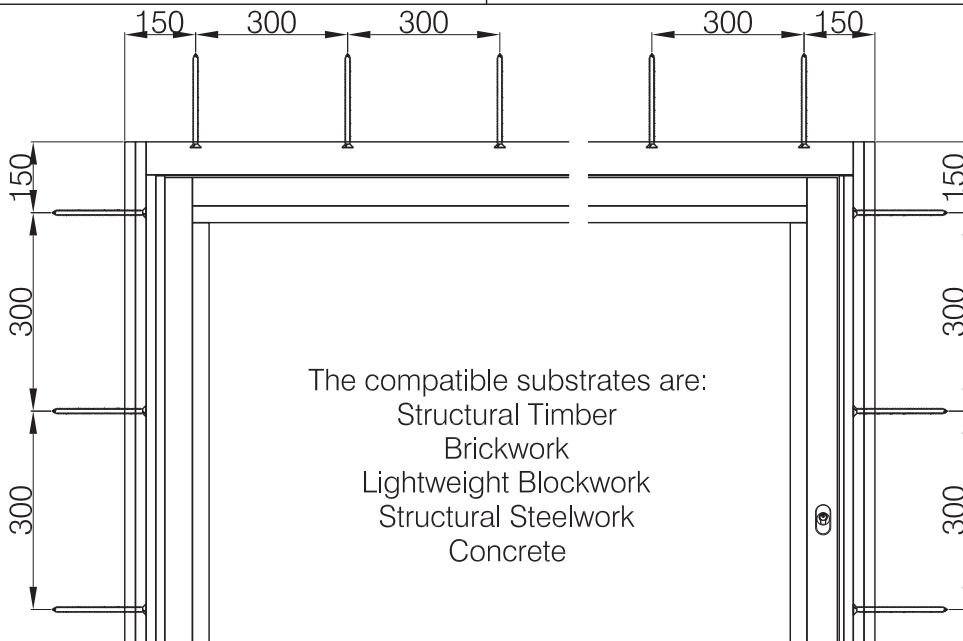


Copyright & ownership of this drawing is vested in COMAR Architectural Aluminium Systems, whose prior written consent is required for its use, reproduction or publication to any third party. All other rights reserved. Subject to modifications without prior notification.



THE PARKSIDE GROUP LTD
 UNIT 5 ° THE WILLOW CENTRE
 17 WILLOW LANE ° MITCHAM
 SURREY ° CR4 4NX
 Tel: 020-8685 9685 Fax: 020-8687 1142
 Email: technical@parksidegrp.co.uk
 Web Site: http://www.comar-alu.co.uk

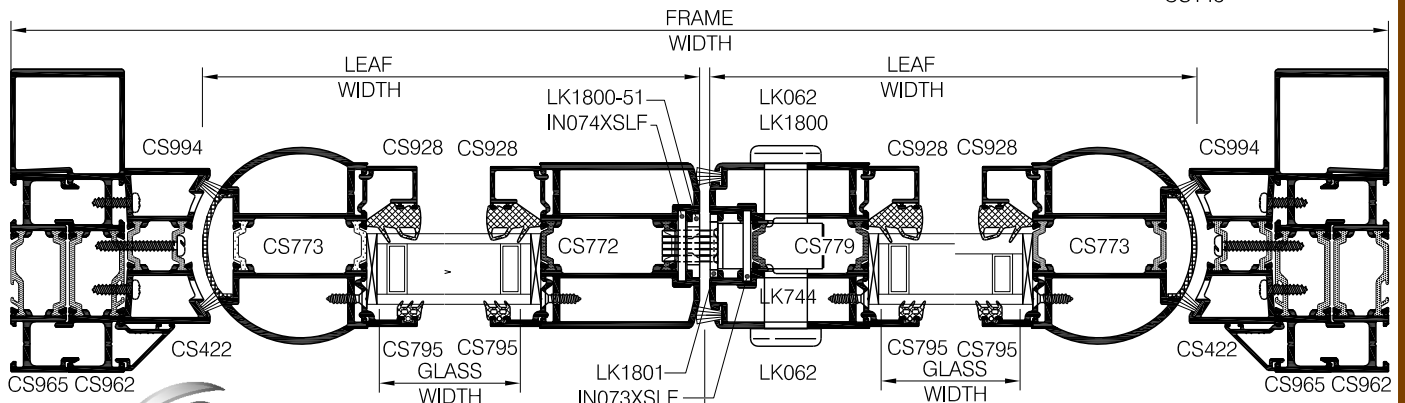
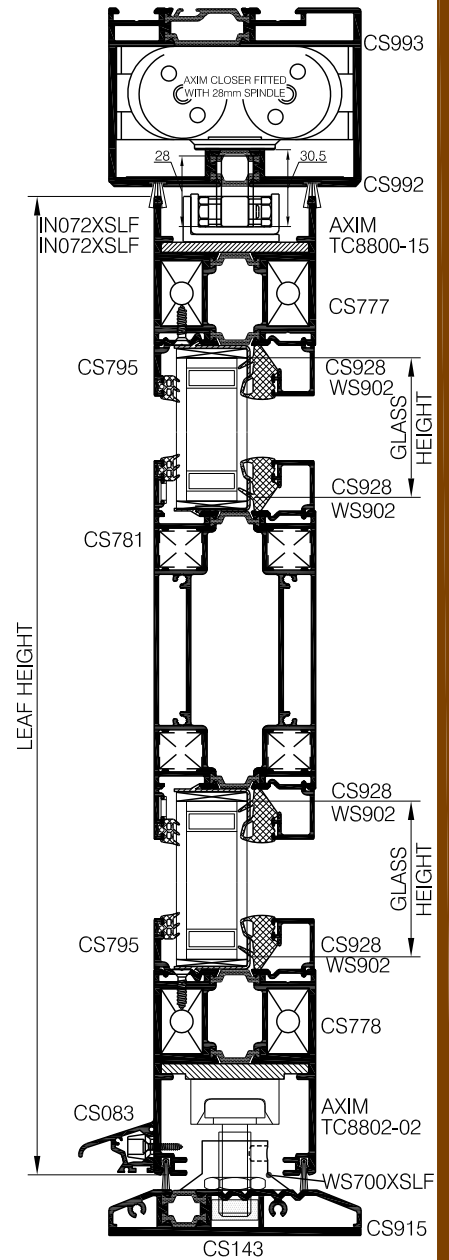
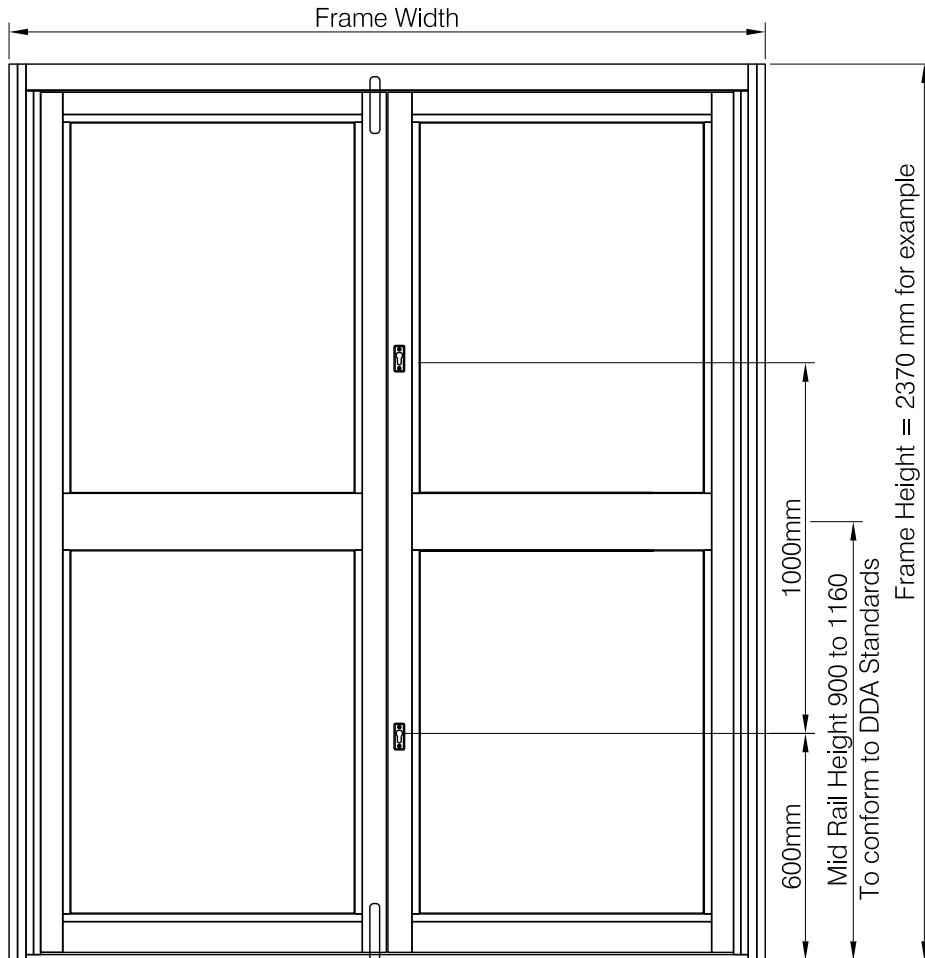
SCALE	NTS	© A4
DATE	03/10/2019	
DRAWN	VM/KP/BB	
DRG. No.	C7Pi-CD-1.11	R3



NOTE:
The maximum permissible gap between the frame and substrate is 8mm. Suitable plastic packers to be used.

Copyright & ownership of this drawing is vested in COMAR Architectural Aluminium Systems, whose prior written consent is required for its use, reproduction or publication to any third party. All other rights reserved. Subject to modifications without prior notification

SCALE	NTS	© A4
DATE	01/10/12	
DRAWN	VM / CAD	
DRG. No.	C7Pi-CD- 1.12	R0



Copyright & ownership of this drawing is vested in COMAR Architectural Aluminium Systems, whose prior written consent is required for its use, reproduction or publication to any third party. All other rights reserved. Subject to modifications without prior notification.

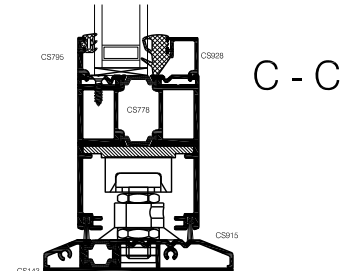
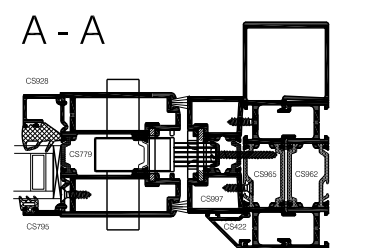
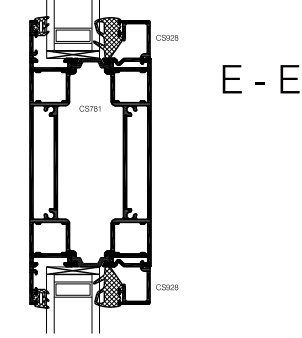
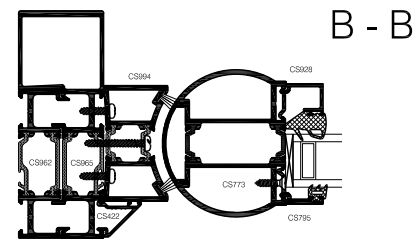
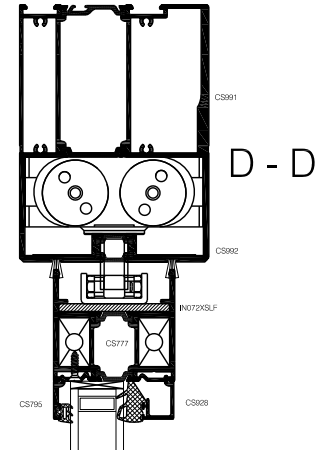
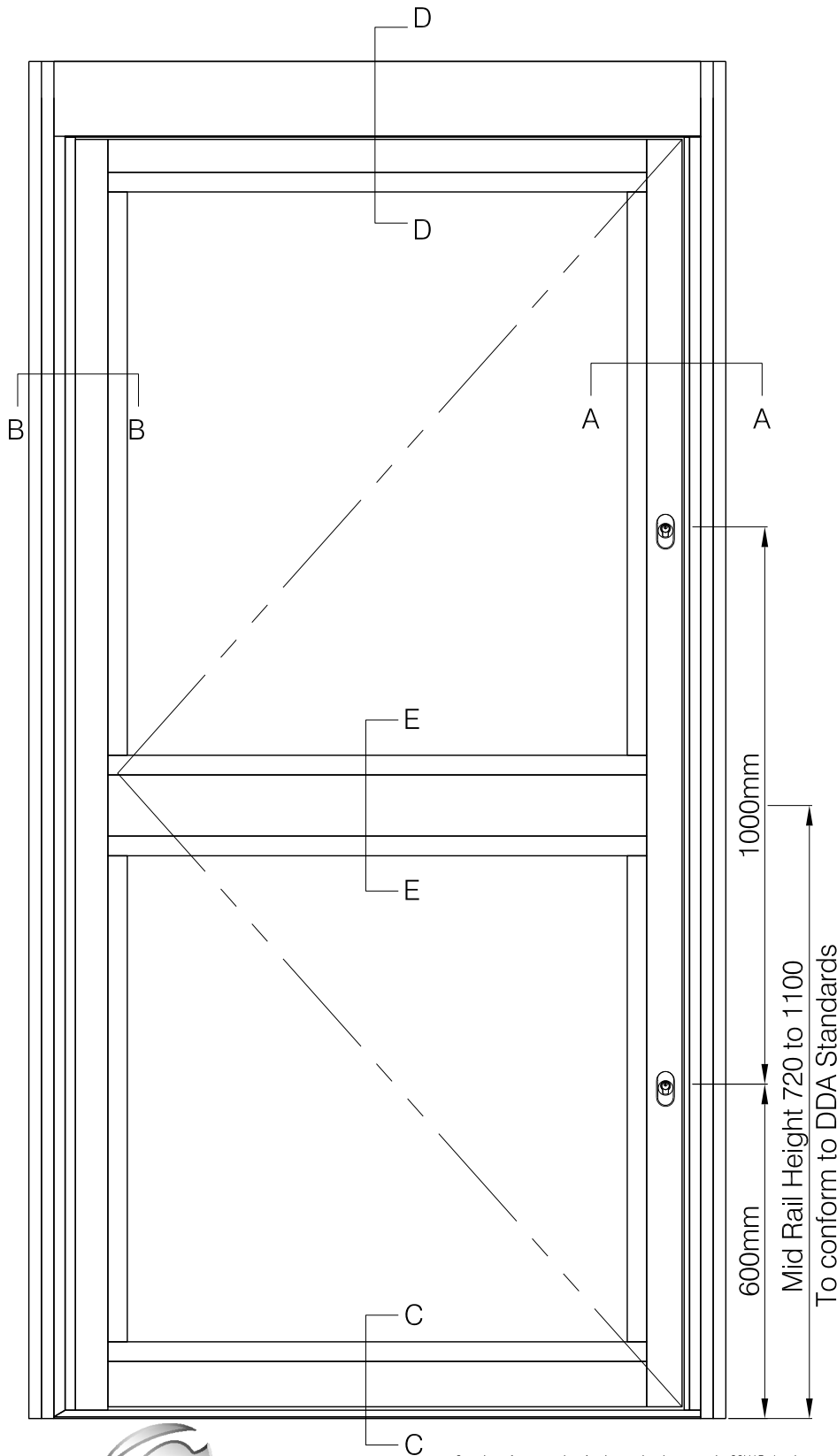
SCALE	1: 3 & 1: 20	@ A4
DATE	03/10/2019	
DRAWN	KP/CAD/BB	
DRG. No.	C7Pi-CD-1.13 R1	

comar 7P.i

TITLE **POLYAMIDE INSULATED DOORS
COMAR 7Pi COMMERCIAL DOOR**

SHEET No.
1.14

SUB TITLE **STANDARD OPTION
OUTER FRAME AND DOOR FRAME WORKING DRAWING / DIAGRAM**



Copyright & ownership of this drawing is vested in COMAR Architectural Aluminium Systems, whose prior written consent is required for its use, reproduction or publication to any third party. All other rights reserved. Subject to modifications without prior notification



THE PARKSIDE GROUP LTD
UNIT 5 ° THE WILLOW CENTRE
17 WILLOW LANE ° MITCHAM
SURREY ° CR4 4NX
Tel: 020-8685 9685 Fax: 020-8687 1142
Email: technical@parksidegrp.co.uk
Web Site: http://www.comar-alu.co.uk

SCALE	NTS	© A4
DATE	03/10/2019	
DRAWN	NS/KD/BB	
DRG. No.	C7Pi-CD-1.14	R3