

SECTION 1

COMAR 7 P.i COMMERCIAL DOOR

INTRODUCTION, SPECIFICATION & BROADSHEETS

SECTION 2

COMAR 7 P.i COMMERCIAL DOOR

FULL SIZE SECTIONS

SECTION 3

COMAR 7 P.i COMMERCIAL DOOR

FABRICATION DETAILS

SECTION 4

COMAR 7 P.i COMMERCIAL DOOR

GLAZING OPTIONS



CONTENTS

COMAR 7P./ COMMERCIAL DOOR

PART 1 INTRODUCTION / SPECIFICATION / BROADSHEETS

Introduction	Page No. 1.01
System Specification	1.02
Broadsheet Profiles	1.03-1.04
Broadsheet Ancillaries	1.05-1.06
Size Limitations	1.06.1-1.07.02
Lock and Mid Rail Position	1.08
Bead Screw Positions	1.09
Working Drawing	1.10-1.11
Fixing Details to Structure	1.12
PAS 24 Security Option Tested Door.	1.13-1.14

PART 2 FULL SIZE SECTIONS

Threshold Details	2.01 - 2.02
Head Details	2.03 - 2.04.2
Auto Door Head Details	2.05
Jamb Details	2.06 - 2.09
Meeting Stile Details.	2.10 - 2.11
Midrail Details	2.12 - 2.13
Jamb Detail - Increased Deep Lock Stile (Standard Option)	2.14
Jamb Detail - Panic Device Side Detail (Standard Option).	2.15
Jamb Detail - Increased Deep Lock Stile (Security Option).	2.16
Jamb Detail - Panic Device Side Detail (Security Option).	2.17

PART 3 FABRICATION

Cutting Lists	3.01 - 3.08.2
Assembly Details	3.09 - 3.12
Header Bar/Plate Preparation Details.	3.13
Top & Bottom Preparation Details	3.14
Concealed Closer Preparation Details	3.15 - 3.17
Threshold Preparation	3.18
Lock Preparation	3.19 - 3.24
Flush Bolt Preparation	3.25 - 3.26
Cleat Assembly & Preparation	3.27 - 3.28
MidRail Preparation	3.29
Keep Assembly	3.30
Bead Preparation	3.31
Panic Exit Preparation	3.32 - 3.38
Electric Strike Option	3.39 - 3.45
Threshold Preparation	3.46 - 3.47
Panic Exit LH-745 Preparation	3.48
Lock and Keep Preps	3.49 - 3.55
Tooling	3.56 - 3.61

PART 4 GLAZING

Standard Option	4.01 - 4.03
Security Option	4.04
Security Glazing Options.	4.05



INTRODUCTION

COMAR 7P./ COMMERCIAL DOOR

Exhibits the highest standards of design appeal, high strength and durability for today's more security conscious market and demonstrates a continuation of Comar's innovative approach to the design of Architectural Aluminium products.

The specific choice door profiles and ancillary equipment is designed for fabricators to meet the requirements of the latest Building Regulations, the Disability Discrimination Act and is tested to PAS24 BS/EN 1627-RC3 with two security locks (both engaged) Profiles are thermally broken with 'rolled in' polyamide profiles, to deliver an improved thermal performance. This allows specifiers to deliver a high performance door to the security conscious discerning customer.

The door can integrate with all Comar systems and allows for flexibility of design on projects in the commercial market.

All technical aspects of the range are covered in the product manual and further information is available from Comar's Technical Department for specific contract requirements.

This manual is copyright and ownership is vested in Comar Architectural Aluminium Systems whose prior written consent is required for its use.

The manual reproduction or publication to any third party that is not authorised in writing by Comar Architectural Aluminium Systems is strictly forbidden.

Telephone : 020 8685 9685
Fax No: 020 8646 5096
e-mail: technical@parksidegroup.co.uk
Web Site: <http://www.comar-alu.co.uk>

Registered number: 921619.

Registered office: The Parkside Group Ltd
Unit 5, The Willow Centre.
17 Willow Lane. MITCHAM.
Surrey. CR4 4NX UK



SPECIFICATION

COMAR 7P./ COMMERCIAL DOOR

Exhibits the highest standards of design appeal, strength and durability for today's security conscious commercial market.

MATERIALS

Aluminium alloy extruded profiles of 6063 T5 or T6 to BS EN 755 and BS EN 12020.

FINISHES

Aluminium profiles are finished to the following specifications:
Silver, Bronze and Black anodising to BS EN 12373-1:2001 or BS 3987
Liquid organic coating to BS 4842 or Polyester powder coating to BS 6496

CONSTRUCTION

Rails are square cut and design of stiles makes an almost invisible joint.
Stiles incorporate twin woolpile grooves to by-pass the lock.
A secure profile concealed under the door houses twin brush seals providing double weathering and draught proofing around the perimeter of the door. Low ramp drained or thermally broken thresholds are available.

GLAZING

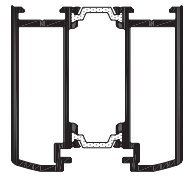
The standard option uses a wide range of glazing beads and gaskets allow for a choice of glazing thickness from 9mm to 45mm.
The security option Glass to be used is Intruder Resistant Glass that conforms to LPS 1270 (Loss Prevention Standard) and is set dry against the glazing tape and retained by mechanically fixed beads.

SPECIFICATION

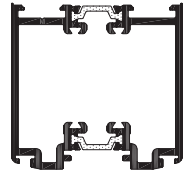
The door conforms to the aluminium industry standards of the trade association i.e. The Council for Aluminium in Building (CAB). The door also conforms to many of the requirements for aluminium windows specification BS4873.
A single door using this manual design has been security tested to PAS 24 BS/EN 1627-RC3 fitted with two locks (both engaged).

All technical aspects for this product are covered in the product manual and further information is available from Comar's Technical Department for specific contract requirements.

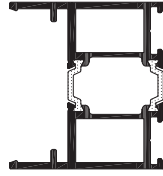
PROFILE SECTIONS BROADSHEET



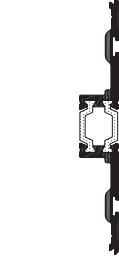
CS772
DOOR STILE, PLAIN



CS771
DOOR STILE



CS777
DOOR TOP
RAIL



CS992
HEADER BAR PLATE

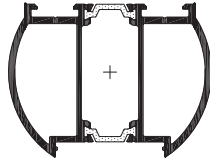


CS083
DRIP SECTION

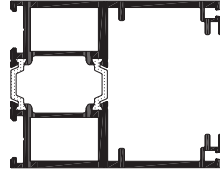
FX046XLF - STUD
OR
FX045SLF - SCREW FIXING
OR
FX047SLF - PROFILE RIVET FIXING



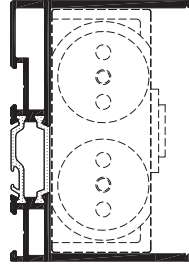
CS997
MULLION ADAPTOR



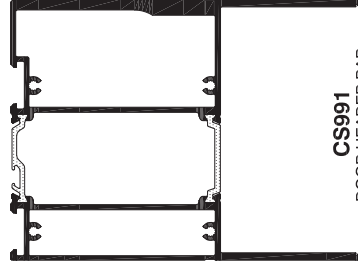
CS773
FINGER GUARD DOOR
STILE



CS778
DOOR BOTTOM
RAIL



CS993
HEADER BAR



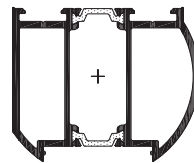
CS991
DOOR HEADER BAR



CS015
DOUBLE RAMP
THRESHOLD



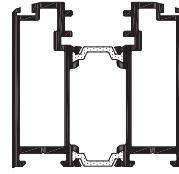
CS915
DOUBLE RAMP
THRESHOLD



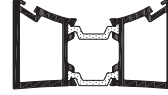
CS774
FINGER GUARD DOOR
STILE, PANIC EXIT



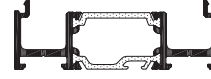
CS775
DOOR STILE
WOOLPILE



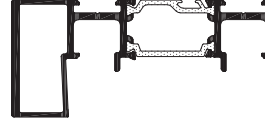
CS779
DOOR STILE
WOOLPILE



CS994
DOOR FINGER GUARD,
70MM PIVOT POINT



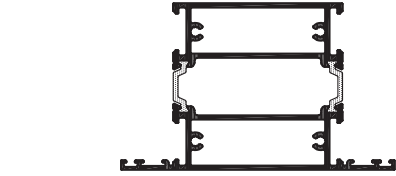
CS962
78mm MULLION
INFILL PLATE
NO LEG



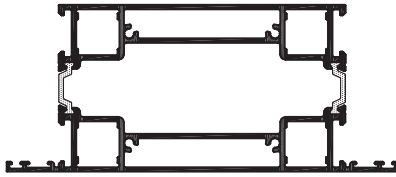
CS975
MULLION INTERNAL
BOX



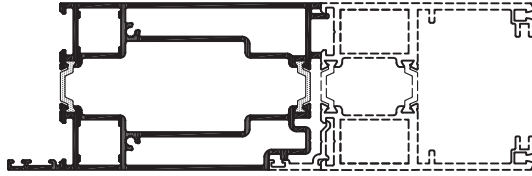
PROFILE SECTIONS BROADSHEET



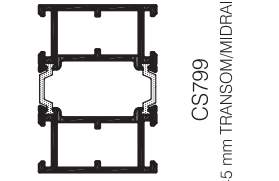
CS780
105mm
TRANSOM/MIDRAIL



CS781
150mm TRANSOM/MIDRAIL



CS784
100mm BOTTOM RAIL
EXTENSION



CS799
45 mm TRANSOM/MIDRAIL



CS796
SECURITY BEAD
EXTERNAL



CS797
SECURITY BEAD
INTERNAL



CS798
SECURITY BEAD
COVER



CS925
GLAZING BEAD



CS926
GLAZING BEAD



CS927
GLAZING BEAD



CS928
GLAZING BEAD



CS929
GLAZING BEAD



CS930
GLAZING BEAD



CS422
GLAZING BEAD



CS100
RAIL BRUSH
WOOLPILE CARRIER



CS734
BOTTOM RAIL PLATE
47.8 x 3 mm



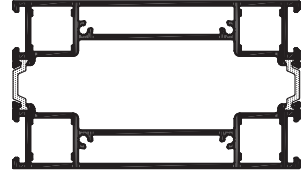
CS143
100 x 3mm FLAT



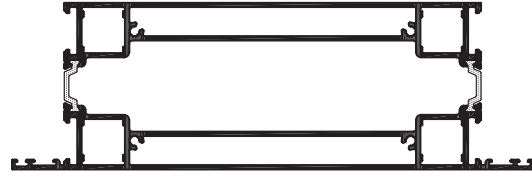
CS346
DRAINAGE TRAY
(FOR CS315,345,347,348)



CS072
DRAINAGE TRAY
(THERMALLY BROKEN OR PLAIN)



CS783
110mm SECURITY
OPTION DOOR MIDRAIL



CS782
200mm
TRANSOM/MIDRAIL



CS045
SINGLE RAMP THRESHOLD



CS715
SQUARE RAMP THRESHOLD



CS315
DOUBLE RAMP DRAINED
THRESHOLD



CS345
SINGLE RAMP DRAINED
THRESHOLD



COMMERCIAL DOOR ACCESSORIES BROADSHEET

 **GK906**
6MM GLAZING WEDGE

 **GK908**
8MM GLAZING WEDGE

 **GK910**
10MM GLAZING WEDGE


 **GK422**
2MM ARROW HEAD
GASKET

 **GK425**
5MM ARROW HEAD
GASKET

 **GK754**
BLACK COLOUR STRIP

 **WP012**
WOOLPILE
12MM BRUSH SEAL

 **WS916XSFLF**
ALIGNMENT FOR
TRANSOM / MULLION

 **SE003**
Kwikstick, 3mm
Glazing Tape

 **WP007**
WOOLPILE
7MM BASE 10MM LONG

 **FX035XSFLF**
N8 x 16mm Pan Head Stainless
Steel Self Tapping Screws

 **FX032XSFLF**
N8 x 32mm Pan Head Stainless
Steel Self Tapping Screws

 **WS902XSFLF**
SECURITY CLIP

 **FX039XSFLF**
N8 x 25mm Csk Stainless
Steel Self Tapping Screws

 **FX034XSFLF**
N8 x 16mm Csk Self
Tapping Screw

 **IN075XSFLF**
CLEFT BACK PLATE

 **FX802XSFLF**
M5 x 16mm Pan Head Stainless
Steel Machine Screws

 **FX800XSFLF**
M5 x 20mm Csk Stainless Steel
Machine Screws

 **WS918XKIT**
14.5 mm MIDRAIL CLEFT
1 x M5 x 10 mm GRUB SCREW
1 x M6 x 7 mm Csk SCREW

 **FX7003 XSFLF**
No.6 x 16 Pan Head Self Drill
NC700XSFLF
FIXING CLEFT
FOR TOP/BOTTOM RAILS

 **FX613 XSFLF**
M6 x 10mm Csk MACHINE
SCREW

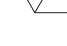
 **FX213XSFLF**
M8 x 65mm
SOCKET HEAD BOLT


 **FX613 XSFLF**
M6 x 10mm Csk MACHINE
SCREW

 **FX795XSFLF**
Handle Fixing 95mm
Csk Stainless Steel
Machine Screws

 **FB-62-041**
FLUSH BOLT
GUIDE BLOCK

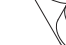
 **IN077XSFLF**
FLUSH BOLT
FIXING PLATE


 **Part Of AXIM
TC-8800-03**

 **IN010XSFLF**
SECURITY PLATE

 **GK773**
ANTI FINGER TRAP

 **GK754**
DOOR CAVITY FILLER

 **Part of AXIM G Kit**


 **Part of AXIM G Kit**

 **Part of AXIM G Kit**

 **M6 x 25mm Csk
FX077XSFLF**

 **FB-6501-F18**
AXIM FLUSH BOLT

 **TC-8800-15**
END LOAD DRIVE
ARM


 **AXIM TC-8800 - 03 A-KIT**

 **IN070XSFLF**
BOTTOM PIVOT
FIXING PLATE


 **IN015XSFLF**
SILL
CONNECTOR
and SUPPORT


 **IN015XSFLF**
SILL
CONNECTOR
and SUPPORT

 **IN078XSFLF**
SECURITY TOP
ARM ANGLE

 **CL091**
DOOR STOP

 **IN001XSFLF**
SUPPORT
CHANNEL FOR
HEADER BAR

 **IN072XSFLF**
TOP ARM FIXING
PLATE

 **CL091**
DOOR STOP

 **IN001XSFLF**
SUPPORT
CHANNEL FOR
HEADER BAR

 **AC023XSFLF**
LOCK BODY
SPACER

 **WS700XSFLF**
BOTTOM PIVOT
PROTECTOR

 **AC024XSFLF**
HEX NUT LOCK
BODY SPACER

 **FX082XSFLF**
M10 STUD FOR
PUSH HANDLE

Copyright & ownership of this drawing is vested in COMAR Architectural Aluminium Systems, whose style within context is required for its use. reproduction or publication to any third party. All other rights reserved. Sub-part to modifications without prior notification.



TC-9500-17
BOTTOM PIVOT
ASSEMBLY

FB-62-041
FLUSH BOLT
GUIDE BLOCK

FX795XSFLF
Handle Fixing 95mm
Csk Stainless Steel
Machine Screws

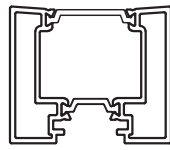
FX613 XSFLF
M6 x 10mm Csk MACHINE
SCREW

comar
ARCHITECTURAL ALUMINIUM SYSTEMS

SCALE	NTS	@A4
DATE	18/01/2018	
DRAWN	KP/KD	
DRG. No.	C7Pi-CO-1.05	R5

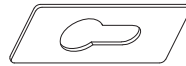
THE PARKSIDE GROUP LTD
UNIT 5 THE WILLOW CENTRE
17 WILLOW LAKE WITCHAM
SURREY GU24 0JH
Tel: 020-8695 6655 Fax: 020-8697 1142
Email: technical@parksidegrp.co.uk
Web Site: <http://www.comar-alu.co.uk>

ACCESSORIES BROADSHEET

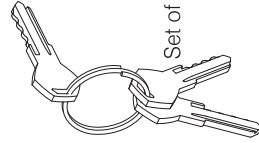
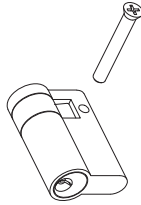


CS988
52mm Mullion Adapter

LK-092-SVR
ESCUTCHEON



LK479XS1F
35/70 HALF CYLINDER



Set of three keys

LK-2100-75
40.75mm ROUND CYLINDER



XX3092XS1F
#10x22



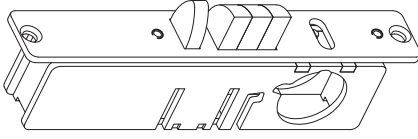
AC0245
Electric Strike Body Spacer



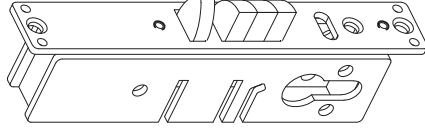
ES-2100-381
11.3mm EXTENSION LIPS



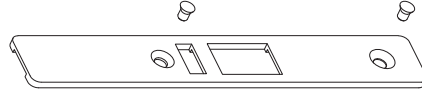
LK-2100-25-R Deadlatch



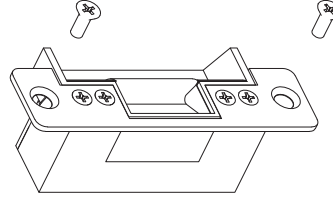
LK-2100-25-E Deadlatch



LK-2100-41 Face Plate



ES-2100-12FSAF or **SEC**
ES-2100-24FSAF or **SEC**



comar 7P.i

TITLE
**POLYAMIDE INSULATED DOORS
COMAR 7Pi COMMERCIAL DOOR**

SHEET No.
1.05.2

SUB TITLE
ACCESSORIES BROADSHEET

INTENTIONALLY
BLANK



comar
ARCHITECTURAL ALUMINIUM SYSTEMS

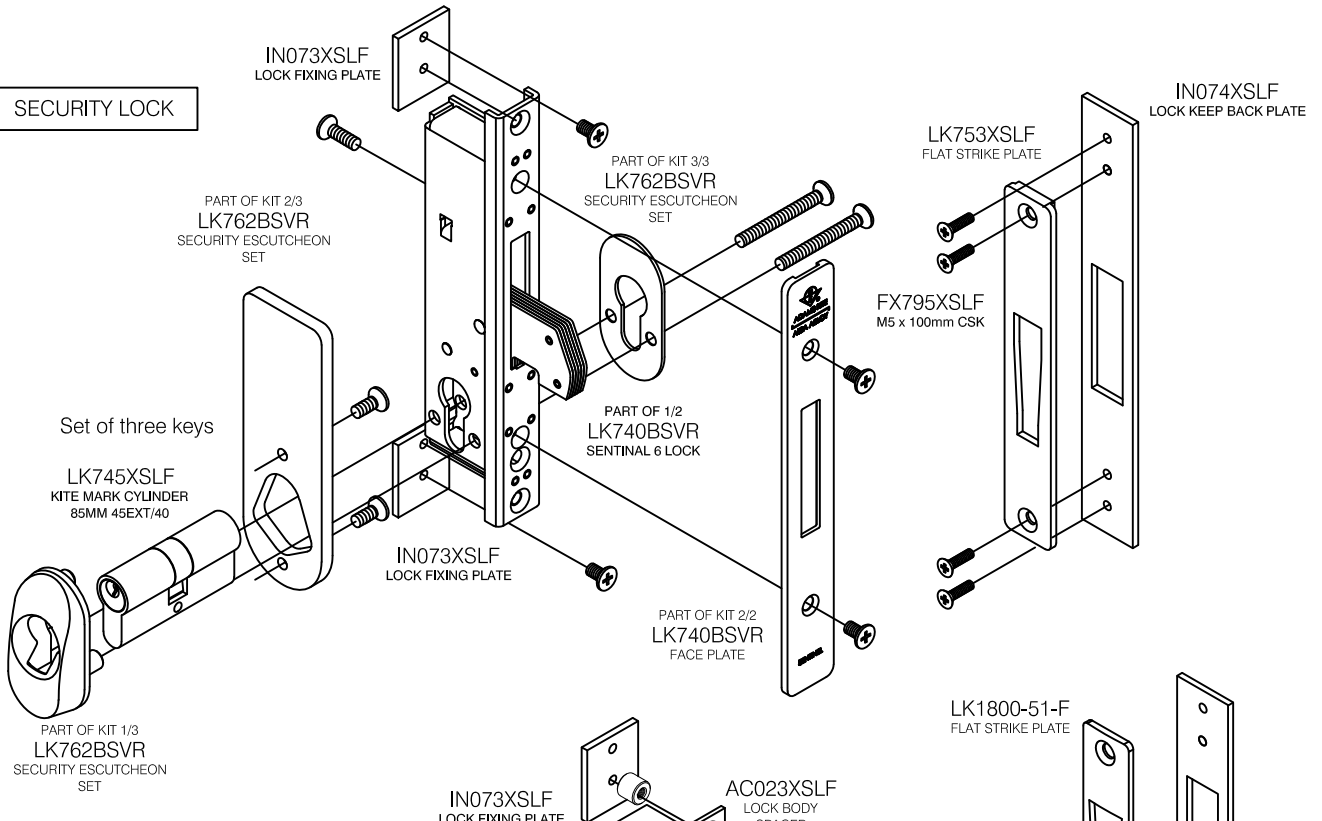


Copyright & ownership of this drawing is vested in COMAR Architectural Aluminium Systems, whose prior written consent is required for its use, reproduction or publication to any third party. All other rights reserved. Subject to modifications without prior notification

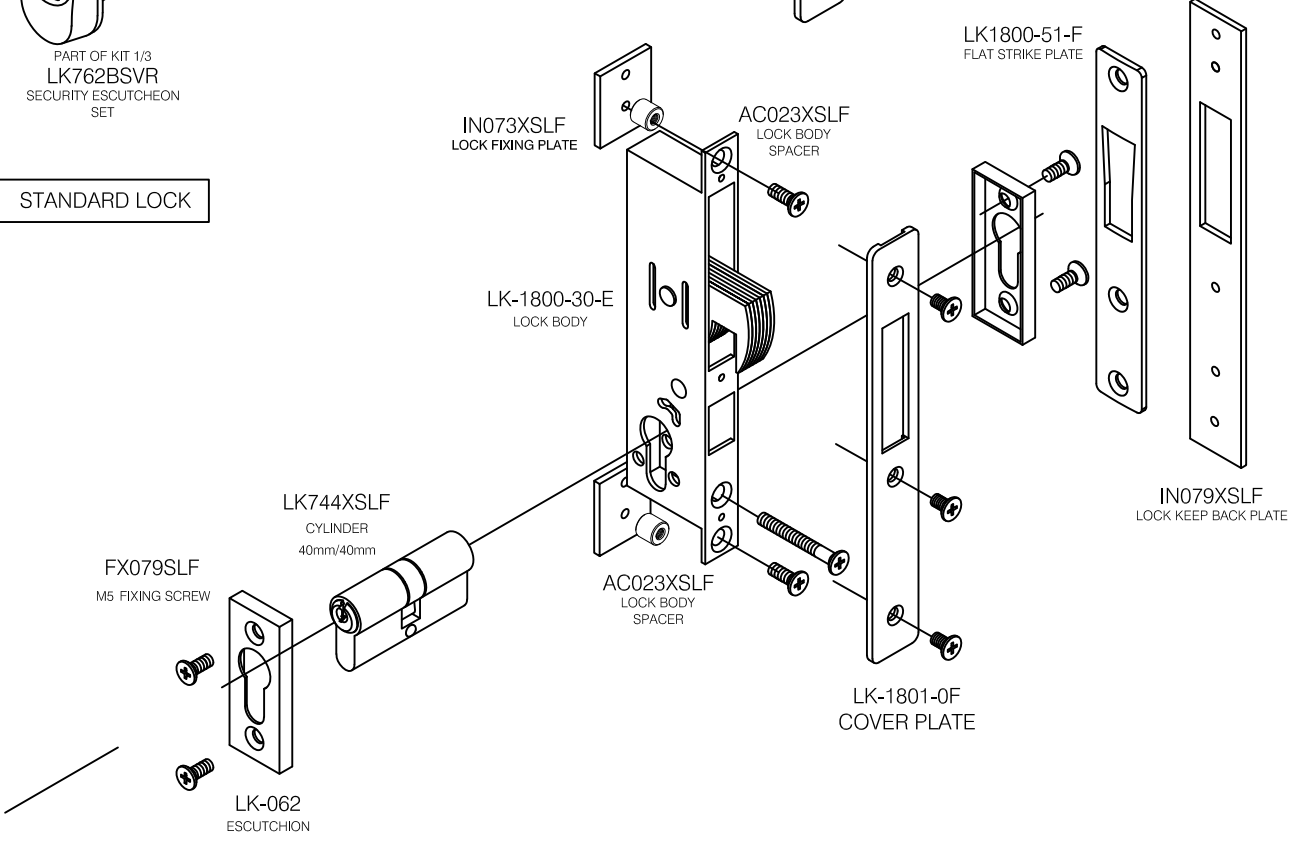
THE PARKSIDE GROUP LTD
UNIT 5 ° THE WILLOW CENTRE
17 WILLOW LANE ° MITCHAM
SURREY ° CR4 4NX
Tel: 020-8685 9685 Fax: 020-8687 1142
Email: technical@parksidegrp.co.uk
Web Site: <http://www.comar-alu.co.uk>

SCALE	NTS	© A4
DATE	29/01/18	
DRAWN	KD	
DRG. No.	C7Pi-CD-1.05.2 R0	

SECURITY LOCK



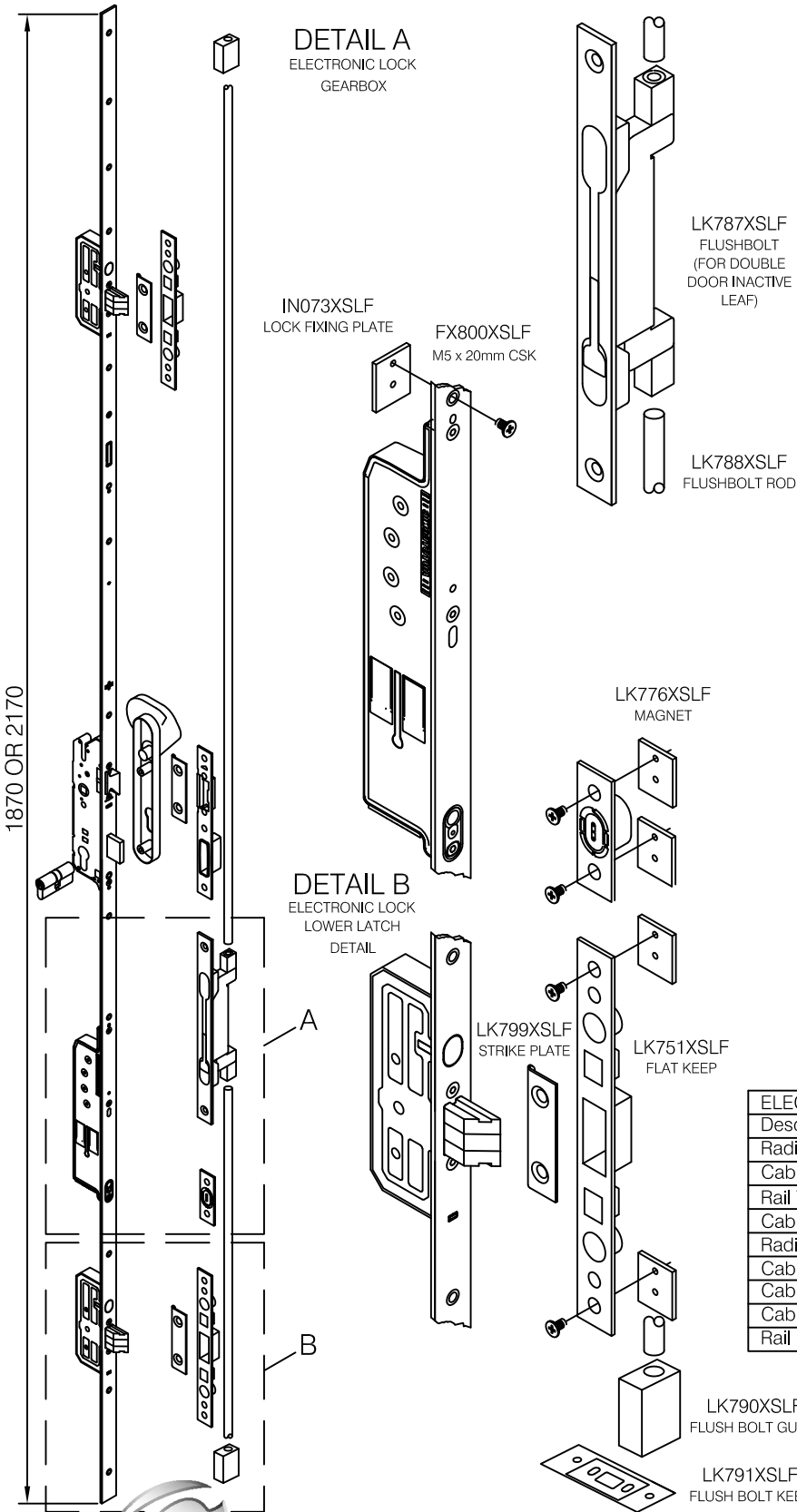
STANDARD LOCK



Copyright & ownership of this drawing is vested in COMAR Architectural Aluminium Systems, whose prior written consent is required for its use, reproduction or publication to any third party. All other rights reserved. Subject to modifications without prior notification

SCALE	NTS	@ A4
DATE	06/12/2019	
DRAWN	VM/KD/BB	
DRG. No.	C7Pi-CD-1.06 R3	

**PROJECT
ONLY**

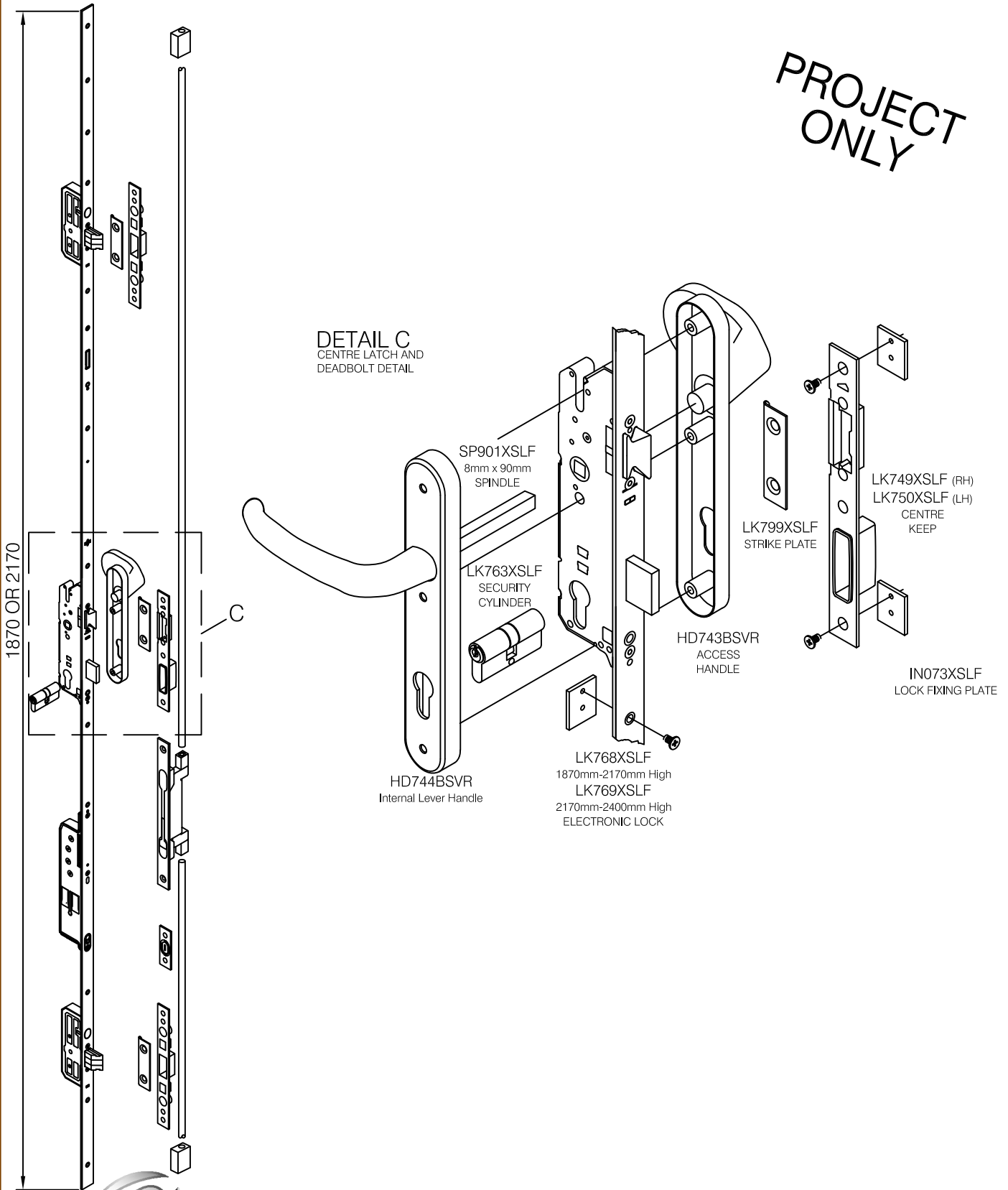


ELECTRONIC CONTROL OPTIONS	
Description	Part No
Radio Receiver Module with Master Key	LK780XSFL
Cable 6 Core 10m (standard)	LK781XSFL
Rail Transformer	LK782XSFL
Cable Duct Sheath	LK783XSFL
Radio Push Button	LK784XSFL
Cable Protection Grommets	LK785XSFL
Cable 3 Core 4m with 7 pin plug	LK794XSFL
Cable 3 Core 8m with plug	LK797XSFL
Rail Mounted Control Unit With Master Key	LK798XSFL

Note: Please reference
Electronic Locking
Document MBW15 for
wiring details and options

Copyright & ownership of this drawing is vested in COMAR Architectural Aluminium Systems, whose prior written consent is required for its use, reproduction or publication to any third party. All other rights reserved. Subject to modifications without prior notification

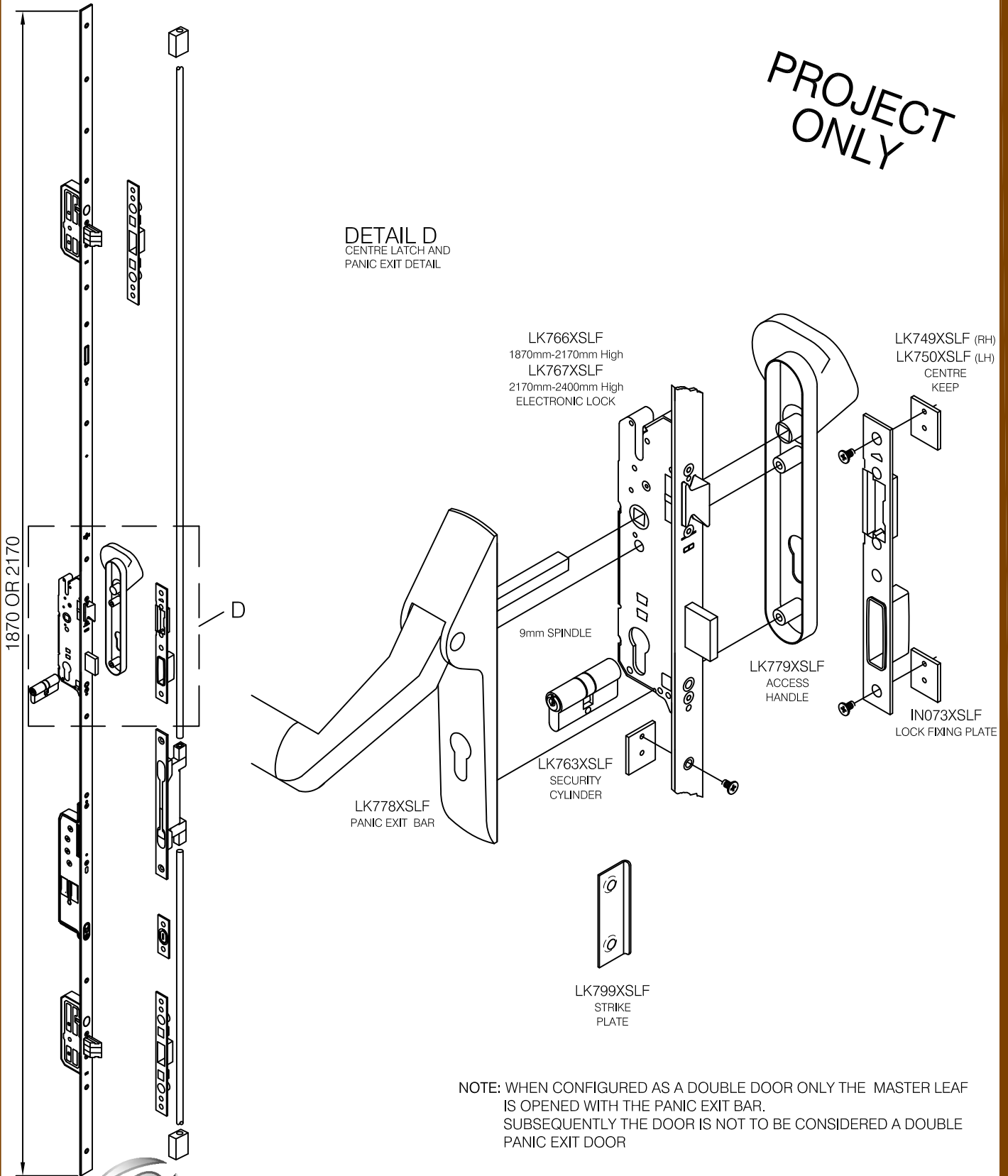
**PROJECT
ONLY**



Copyright & ownership of this drawing is vested in COMAR Architectural Aluminium Systems, whose prior written consent is required for its use, reproduction or publication to any third party. All other rights reserved. Subject to modifications without prior notification

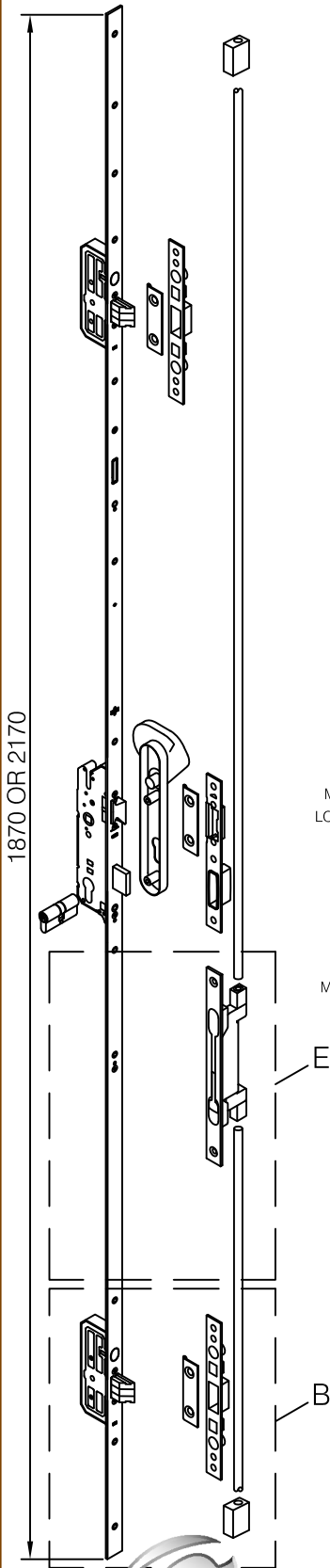
**PROJECT
ONLY**

DETAIL D
CENTRE LATCH AND
PANIC EXIT DETAIL

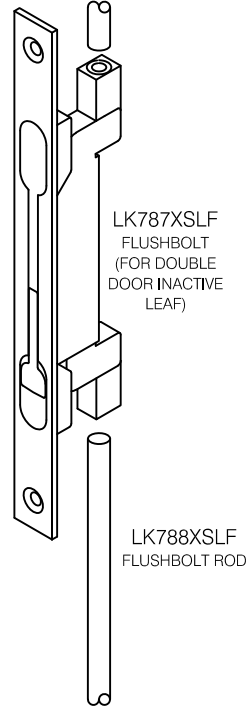


Copyright & ownership of this drawing is vested in COMAR Architectural Aluminium Systems, whose prior written consent is required for its use, reproduction or publication to any third party. All other rights reserved. Subject to modifications without prior notification

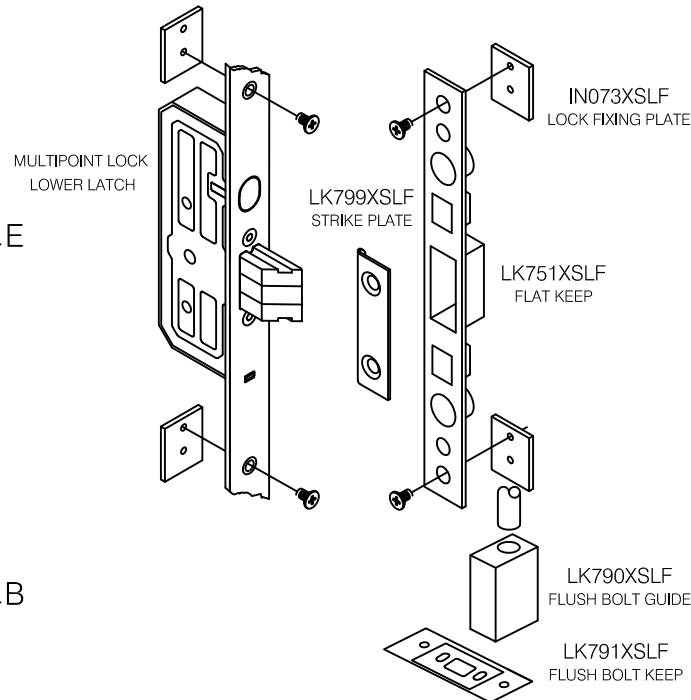
**PROJECT
ONLY**



DETAIL E
MULTIPOINT LOCK
DETAIL



DETAIL B
MULTIPOINT LOCK
LOWER LATCH
DETAIL

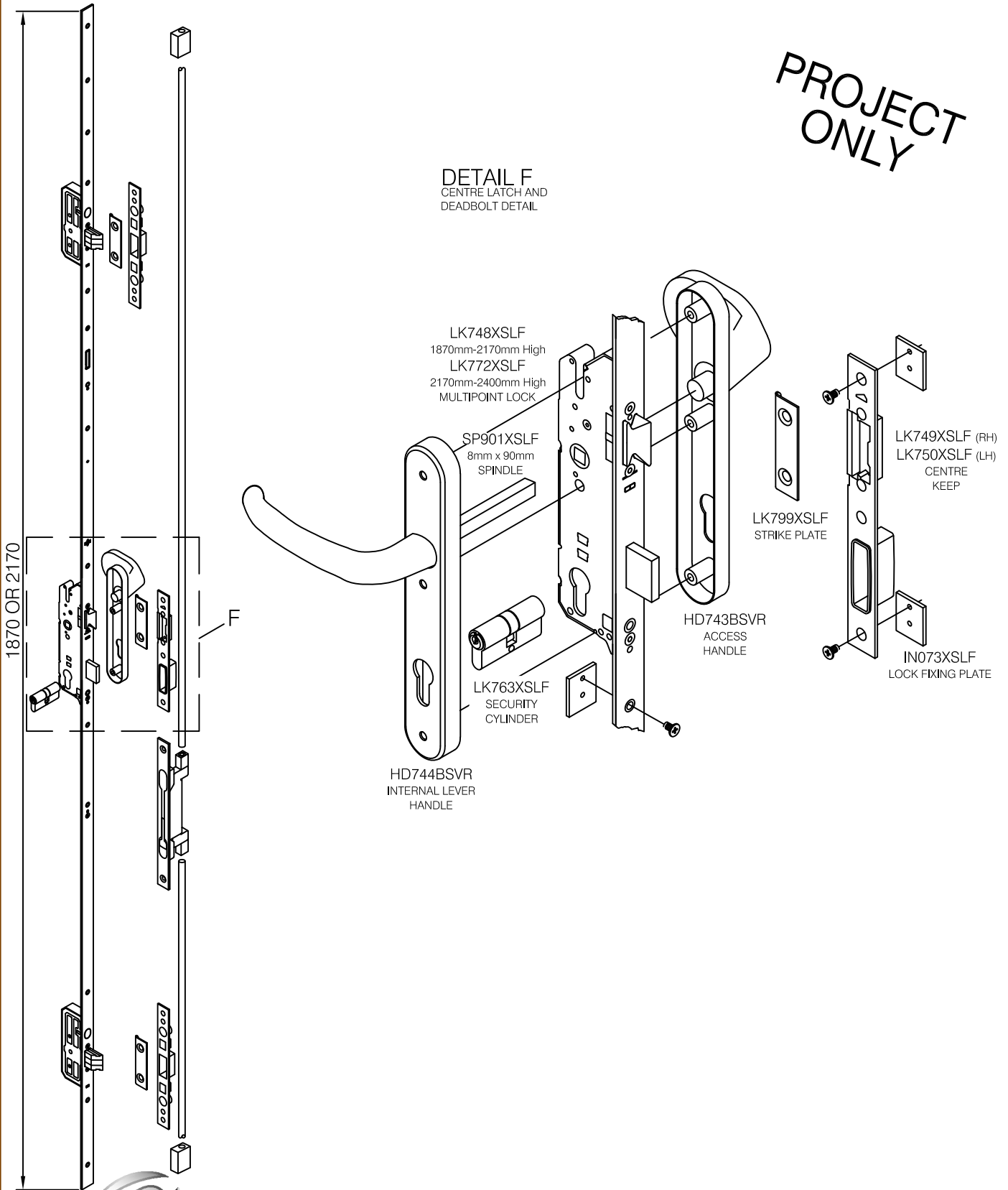


Copyright & ownership of this drawing is vested in COMAR Architectural Aluminium Systems, whose prior written consent is required for its use, reproduction or publication to any third party. All other rights reserved. Subject to modifications without prior notification

SCALE	NTS	@ A4
DATE	19/07/19	
DRAWN	NRA	
DRG. No.	C7Pi-CD-1.06.04 R1	

**PROJECT
ONLY**

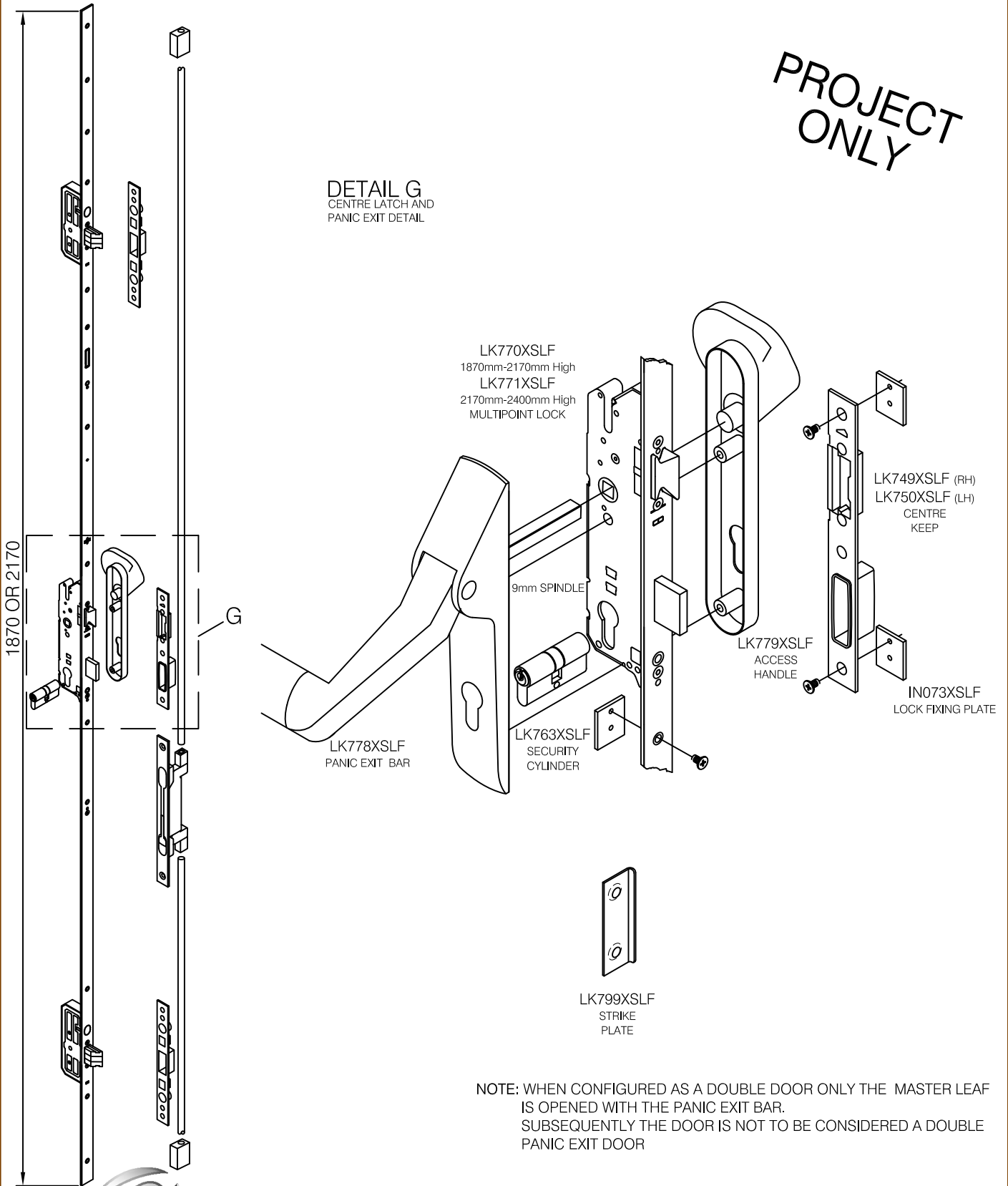
DETAIL F
CENTRE LATCH AND
DEADBOLT DETAIL



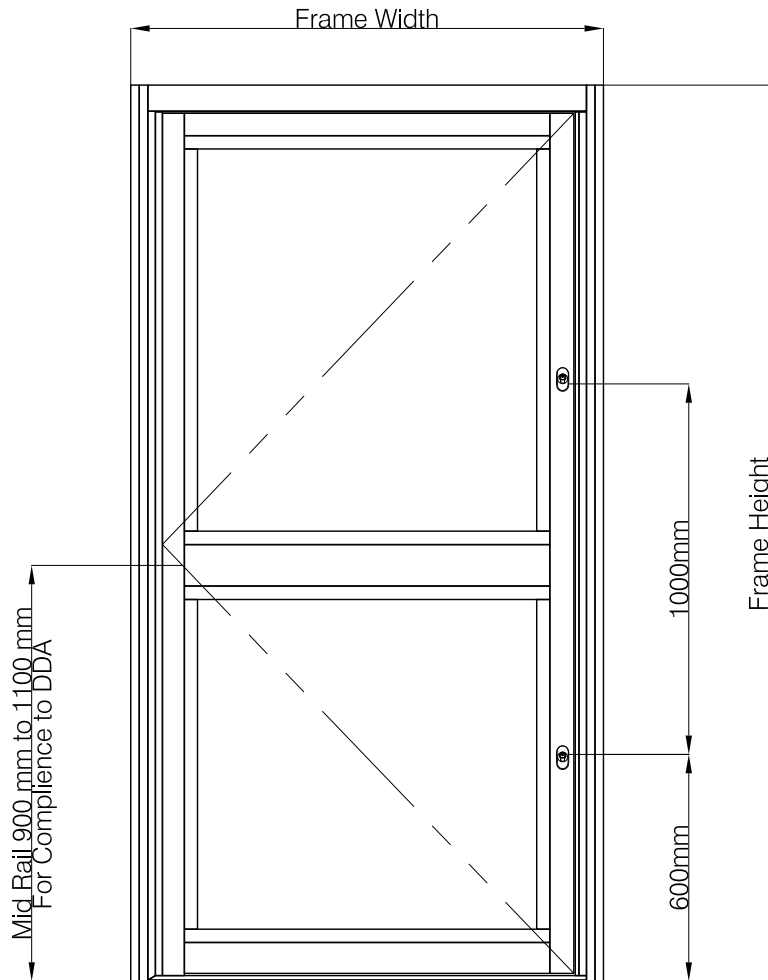
Copyright & ownership of this drawing is vested in COMAR Architectural Aluminium Systems, whose prior written consent is required for its use, reproduction or publication to any third party. All other rights reserved. Subject to modifications without prior notification

**PROJECT
ONLY**

DETAIL G
CENTRE LATCH AND
PANIC EXIT DETAIL



Copyright & ownership of this drawing is vested in COMAR Architectural Aluminium Systems, whose prior written consent is required for its use, reproduction or publication to any third party. All other rights reserved. Subject to modifications without prior notification



STANDARD AND PAS 24 SECURITY OPTION

**UNIVERSAL CONCEALED TRANSOM CLOSER
180° SWING AND DELAYED ACTION
HOLD OPEN OPTIONS AVAILABLE
THREE CLOSING STRENGTHS AVAILABLE**

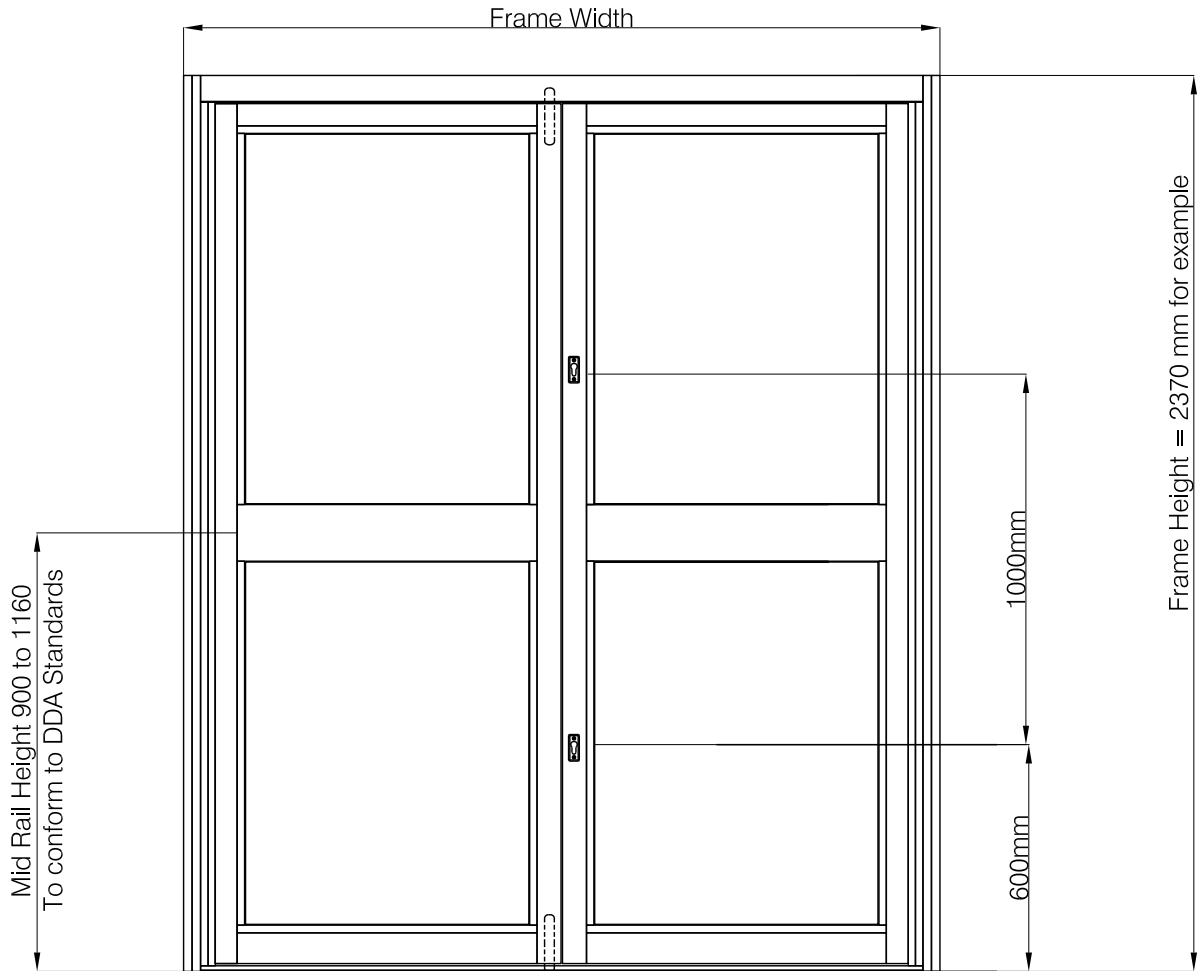
AXIM TC8801-0015	8801-9015	SIZE 1
AXIM TC8802-0015	8802-9015	SIZE 2
AXIM TC8803-0015	8803-9015	SIZE 3

MAX DOOR LEAF WIDTH 1150mm MAX DOOR LEAF HEIGHT 2400mm MAX DOOR LEAF WEIGHT 100Kgs



SCALE	1: 20	© A4
DATE	03/10/2019	
DRAWN	KP/NRA/BB	
DRG. No.	C7Pi-CD-1.07	R5

TITLE	POLYAMIDE INSULATED DOORS COMAR 7Pi COMMERCIAL DOOR	SHEET No. 1.07.01
SUB TITLE	PAS 24 SECURITY OPTION SIZE LIMITATIONS AND CONFIGURATIONS	



PAS 24 SECURITY OPTION

HARDWARE LIST:

TRANSOM CLOSER AND BOTTOM PIVOT FOR CD	2
IN078XSLF SECURITY TOP ARM ANGLE	2
FB-6501-F18 AND FB-62-041 FLUSH BOLT (SLAVE DOOR)	2
STANDARD LOCK - PAGE C7Pi-CD-1.06 R1	2
LK745XSLF SECURITY CYLINDER	2
WS700XSLF BOTTOM PIVOT PROTECTOR	2

EXTERNAL CS795 BEAD FIXED IN PLACE
WS902XSLF SECURITY GLAZING CLIP

ALL OTHER COMPONENTS AS PER STANDARD DOOR



comar
ARCHITECTURAL ALUMINIUM SYSTEMS

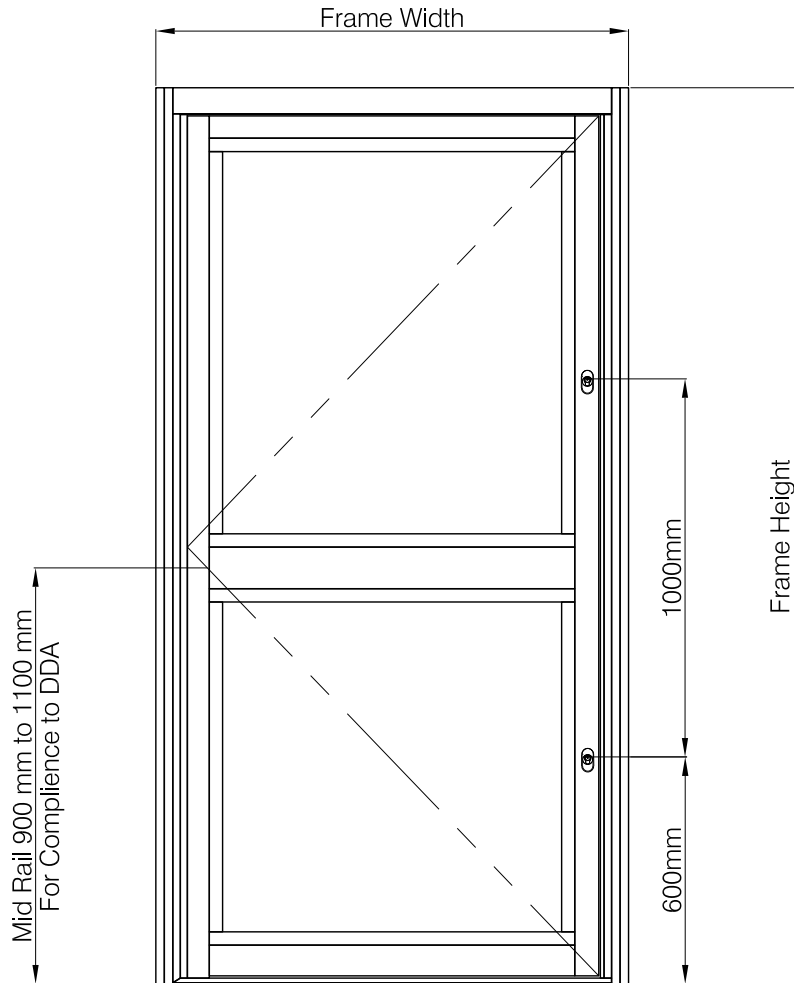


Copyright & ownership of this drawing is vested in COMAR Architectural Aluminium Systems, whose prior written consent is required for its use, reproduction or publication to any third party. All other rights reserved. Subject to modifications without prior notification

THE PARKSIDE GROUP LTD
UNIT 5 ° THE WILLOW CENTRE
17 WILLOW LANE ° MITCHAM
SURREY ° CR4 4NX
Tel: 020-8685 9685 Fax: 020-8687 1142
Email: technical@parksidegrp.co.uk
Web Site: http://www.comar-alu.co.uk

SCALE	1: 20	© A4
DATE	03/10/19	
DRAWN	AMR/KD/BB	
DRG. No.	C7Pi-CD-1.07.01 R1	

TITLE	POLYAMIDE INSULATED DOORS COMAR 7Pi COMMERCIAL DOOR	SHEET No. 1.07.02
SUB TITLE	PAS 24 SECURITY OPTION SIZE LIMITATIONS AND CONFIGURATIONS	



PAS 24 SECURITY OPTION

HARDWARE LIST:

TRANSOM CLOSER AND BOTTOM PIVOT FOR CD	1
IN078XSLF SECURITY TOP ARM ANGLE	1
STANDARD LOCK - PAGE C7Pi-CD-1.06 R1	2
LK745XSLF SECURITY CYLINDER	2
WS700XSLF BOTTOM PIVOT PROTECTOR	1

EXTERNAL CS795 BEAD FIXED IN PLACE
WS902XSLF SECURITY GLAZING CLIP

ALL OTHER COMPONENTS AS PER STANDARD DOOR



comar
ARCHITECTURAL ALUMINIUM SYSTEMS



Copyright & ownership of this drawing is vested in COMAR Architectural Aluminium Systems, whose prior written consent is required for its use, reproduction or publication to any third party. All other rights reserved. Subject to modifications without prior notification

THE PARKSIDE GROUP LTD
UNIT 5 ° THE WILLOW CENTRE
17 WILLOW LANE ° MITCHAM
SURREY ° CR4 4NX
Tel: 020-8685 9685 Fax: 020-8687 1142
Email: technical@parksidegrp.co.uk
Web Site: http://www.comar-alu.co.uk

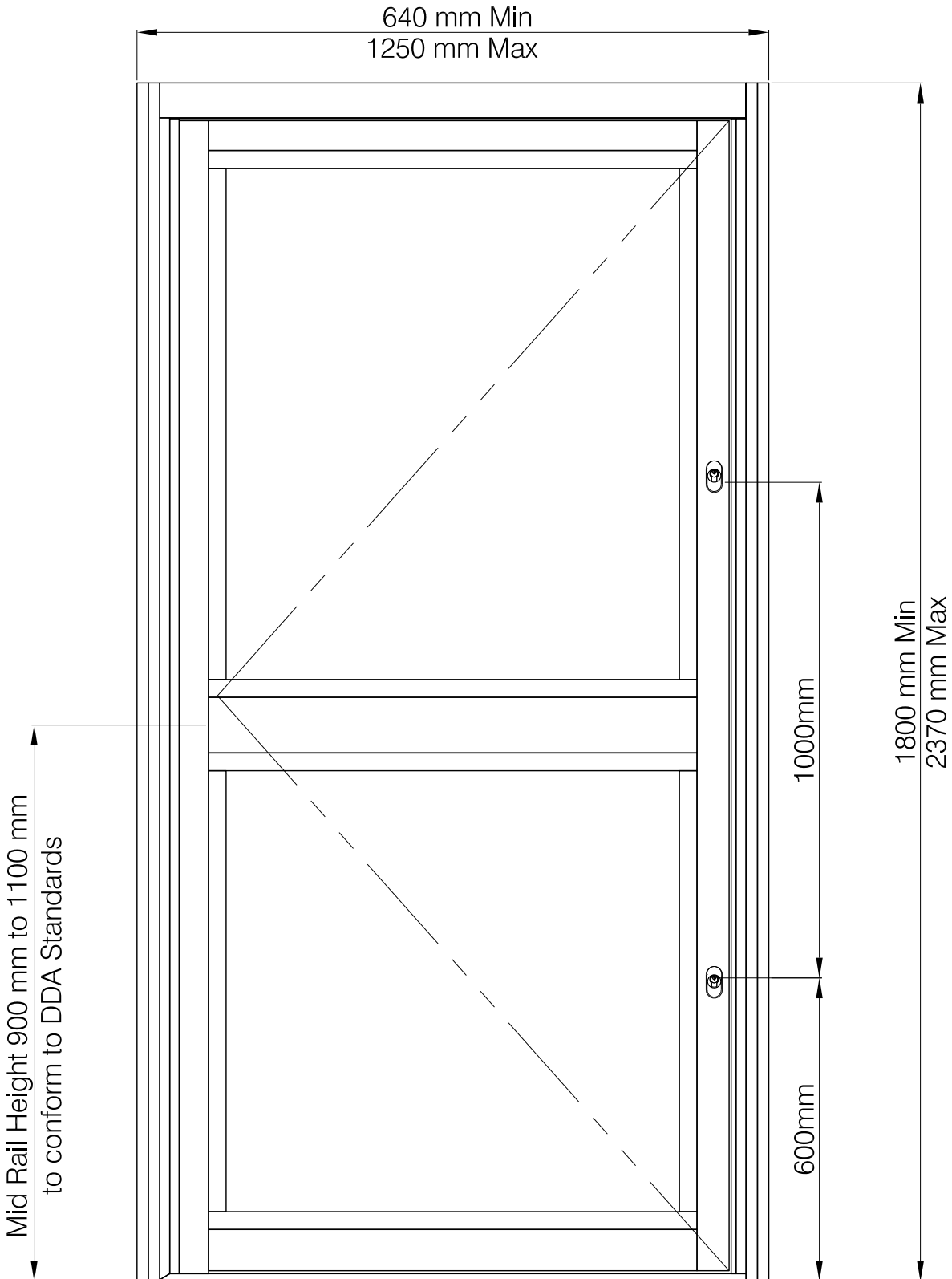
SCALE	1: 20	© A4
DATE	03/10/19	
DRAWN	AMR/KD/BB	
DRG. No.	C7Pi-CD-1.07.02 R1	

comar 7P.i

TITLE **POLYAMIDE INSULATED DOORS
COMAR 7Pi COMMERCIAL DOOR**

SHEET No.
1.08

SUB TITLE **BS EN 1627 SECURITY OPTION
LOCK AND MID RAIL POSITION**



Copyright & ownership of this drawing is vested in COMAR Architectural Aluminium Systems, whose prior written consent is required for its use, reproduction or publication to any third party. All other rights reserved. Subject to modifications without prior notification

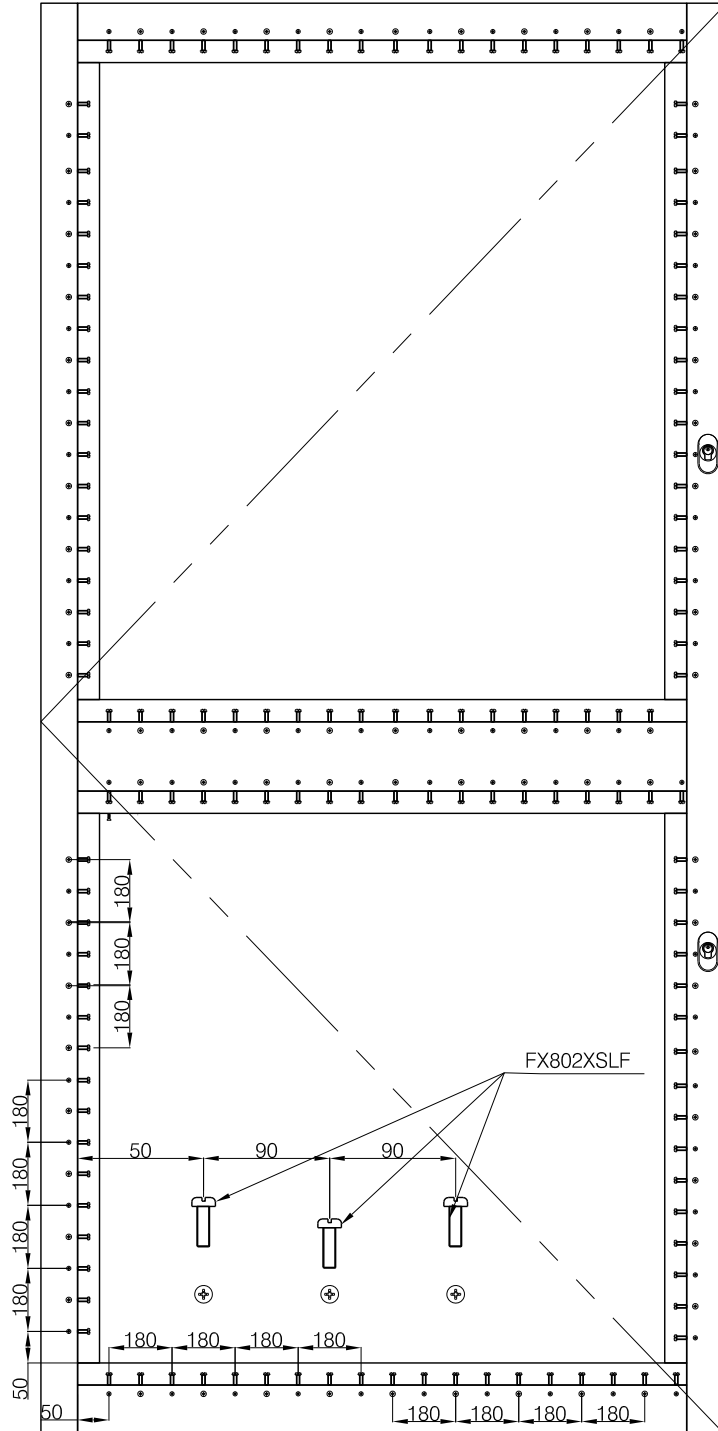


comar
ARCHITECTURAL ALUMINIUM SYSTEMS



THE PARKSIDE GROUP LTD
UNIT 5 ° THE WILLOW CENTRE
17 WILLOW LANE ° MITCHAM
SURREY ° CR4 4NX
Tel: 020-8685 9685 Fax: 020-8687 1142
Email: technical@parksidegrp.co.uk
Web Site: <http://www.comar-alu.co.uk>

SCALE	1: 16	© A4
DATE	03/10/19	
DRAWN	VM/KP/BB	
DRG. No.	C7Pi-CD-1.08	R3



NOTE:
FOR A SECURITY RATED DOOR
THE SCREWS ARE TO BE
INSTALLED AS PER THE MANUAL

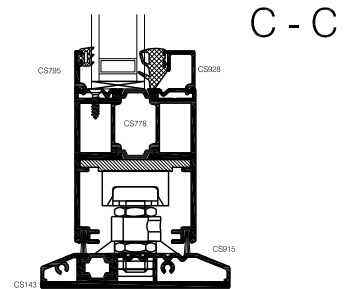
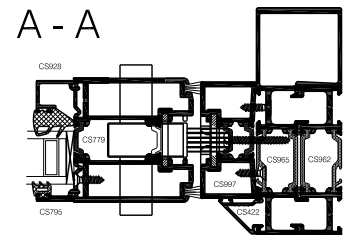
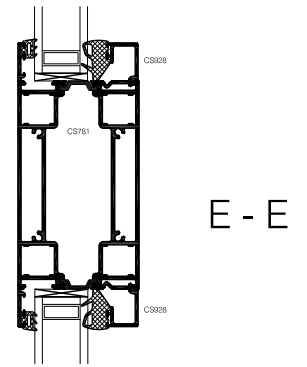
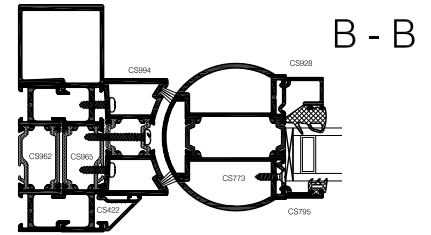
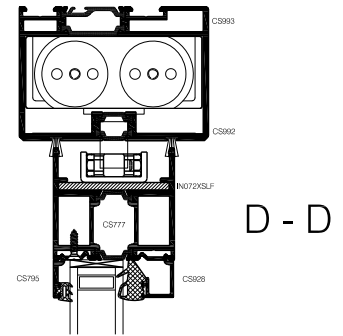
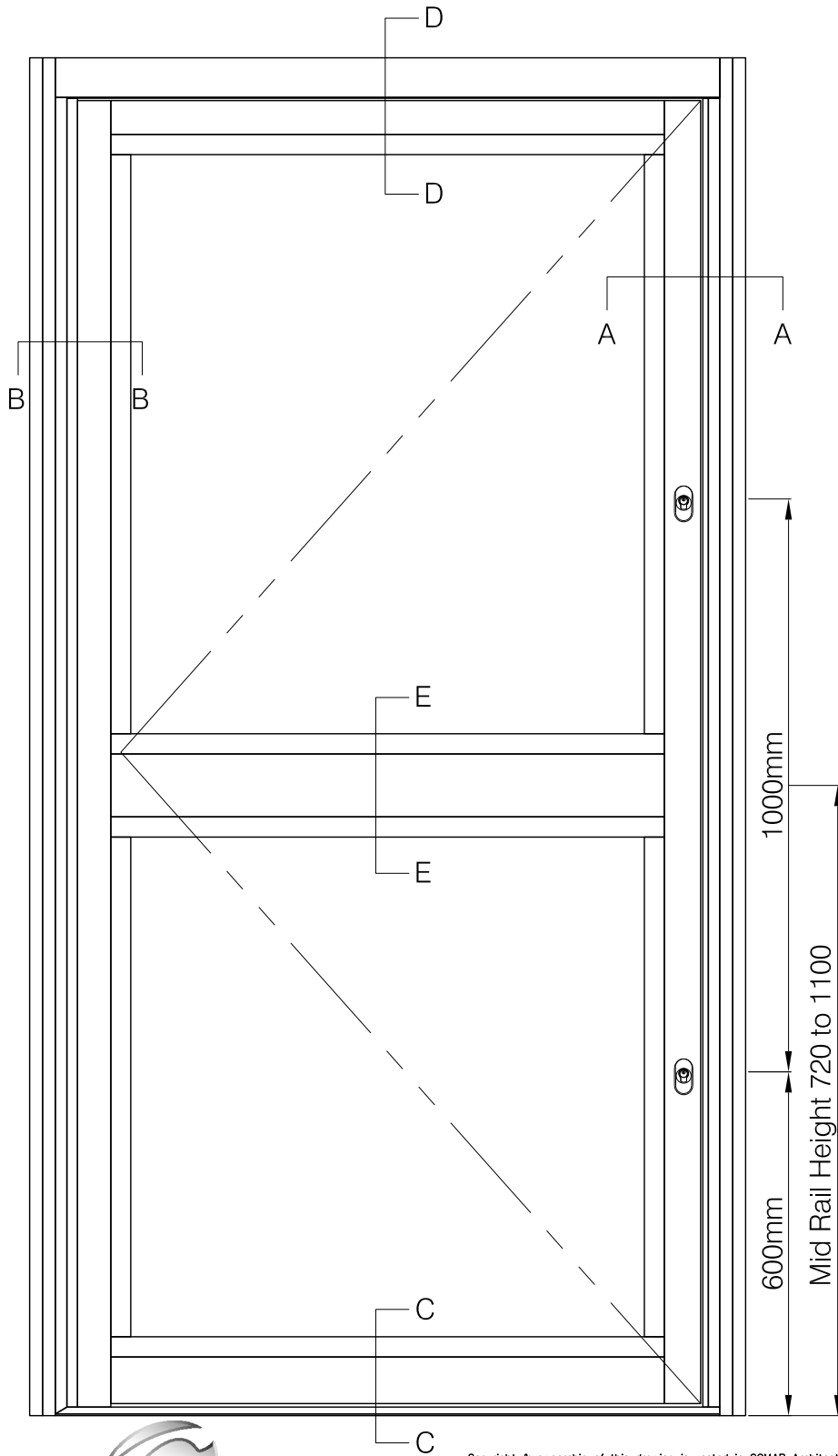
SEE PAGE 3.31 FOR FURTHER
DETAILS

Copyright & ownership of this drawing is vested in COMAR Architectural Aluminium Systems, whose prior written consent is required for its use, reproduction or publication to any third party. All other rights reserved. Subject to modifications without prior notification

SCALE	1: 12	© A4
DATE	06/12/2019	
DRAWN	VM / CAD/ BB	
DRG. No.	C7Pi-CD-1.09	R2

comar 7P.i

TITLE	POLYAMIDE INSULATED DOORS COMAR 7Pi COMMERCIAL DOOR	SHEET No. 1.10
SUB TITLE	STANDARD OPTION OUTER FRAME AND DOOR FRAME WORKING DRAWING / DIAGRAM	



Copyright & ownership of this drawing is vested in COMAR Architectural Aluminium Systems, whose prior written consent is required for its use, reproduction or publication to any third party. All other rights reserved. Subject to modifications without prior notification.

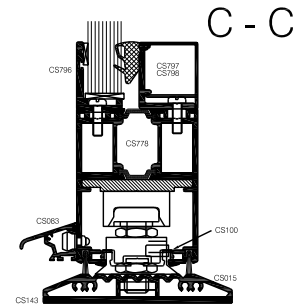
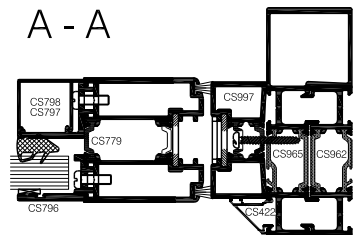
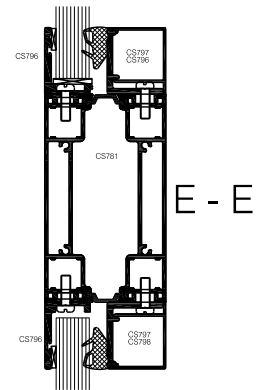
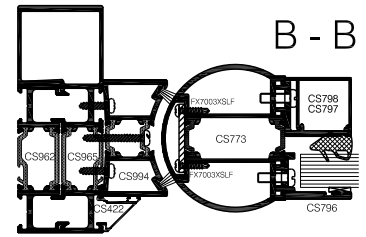
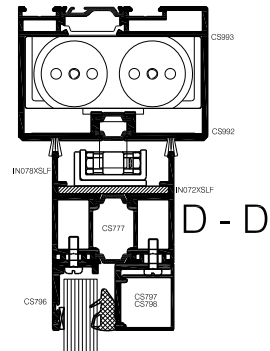
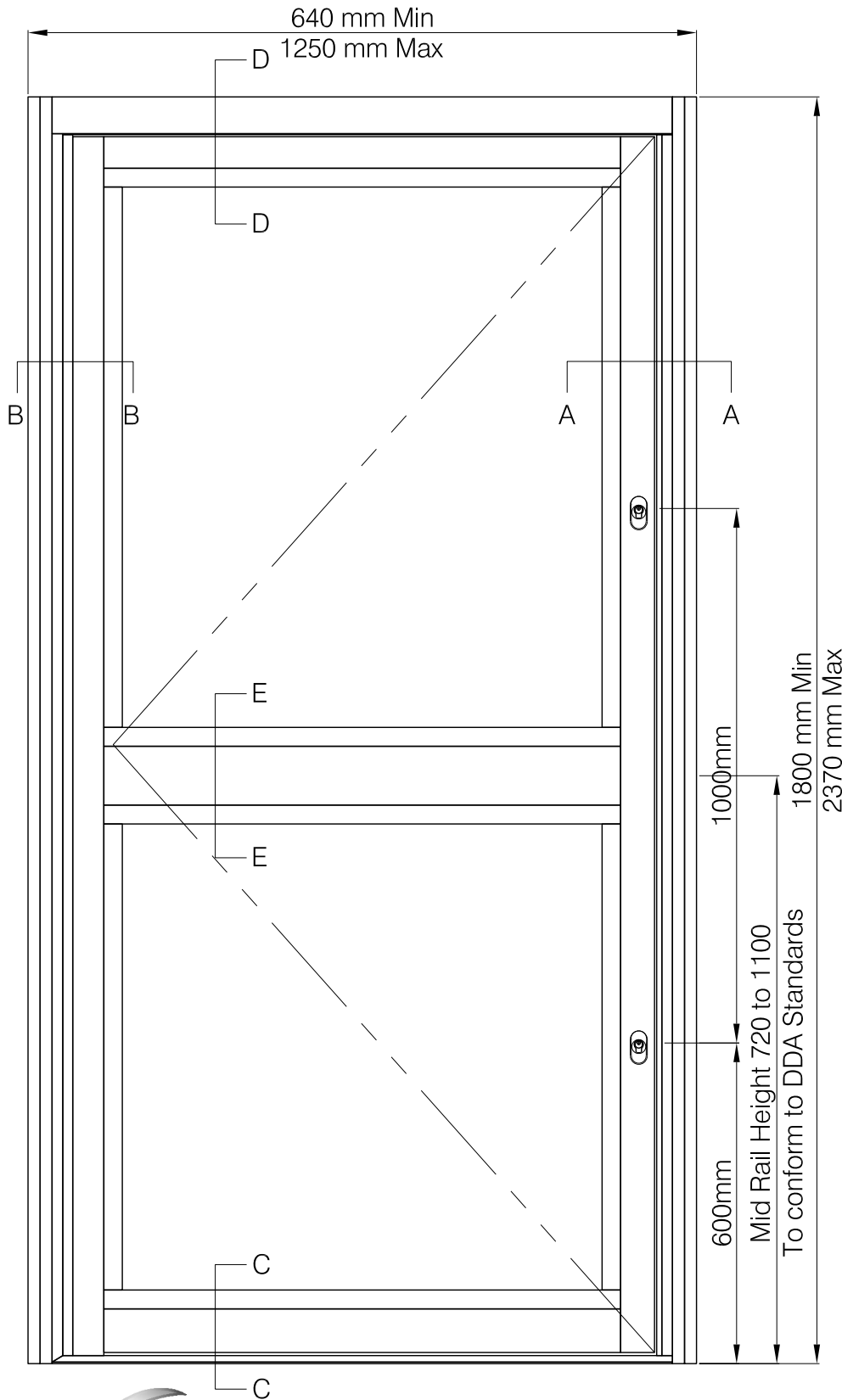


THE PARKSIDE GROUP LTD
 UNIT 5 ° THE WILLOW CENTRE
 17 WILLOW LANE ° MITCHAM
 SURREY ° CR4 4NX
 Tel: 020-8685 9685 Fax: 020-8687 1142
 Email: technical@parksidegrp.co.uk
 Web Site: http://www.comar-alu.co.uk

SCALE	NTS	© A4
DATE	03/10/2019	
DRAWN	VM/KP/BB	
DRG. No.	C7Pi-CD-1.10	R3

comar 7P.i

TITLE	POLYAMIDE INSULATED DOORS COMAR 7Pi COMMERCIAL DOOR	SHEET No. 1.11
SUB TITLE	BS EN 1627 SECURITY OPTION OUTER FRAME AND DOOR FRAME WORKING DRAWING / DIAGRAM	

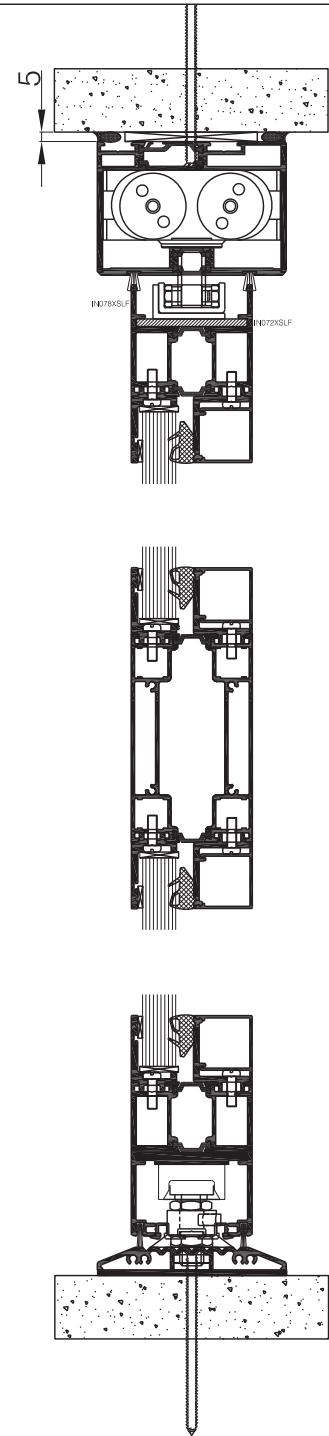
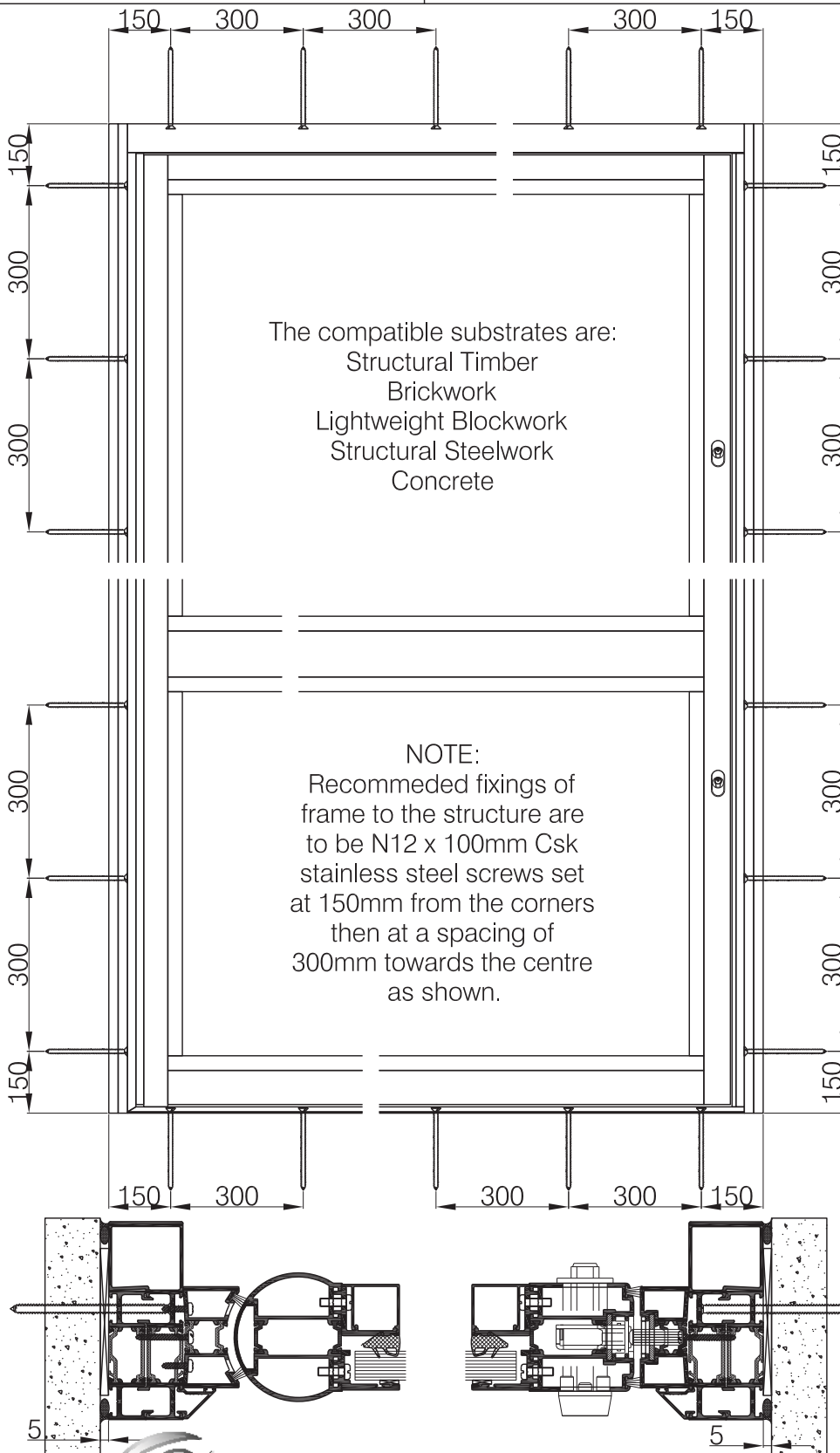


Copyright & ownership of this drawing is vested in COMAR Architectural Aluminium Systems, whose prior written consent is required for its use, reproduction or publication to any third party. All other rights reserved. Subject to modifications without prior notification.



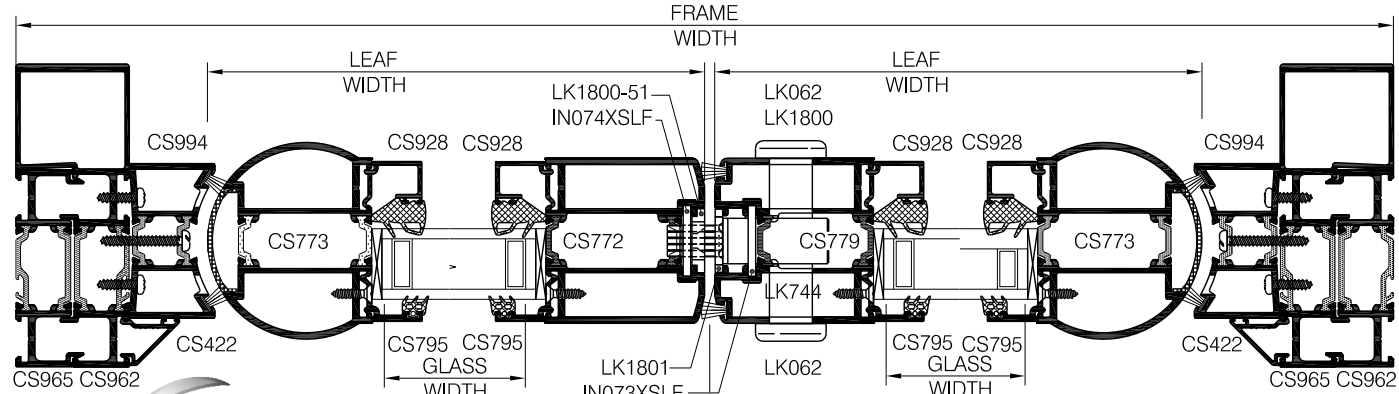
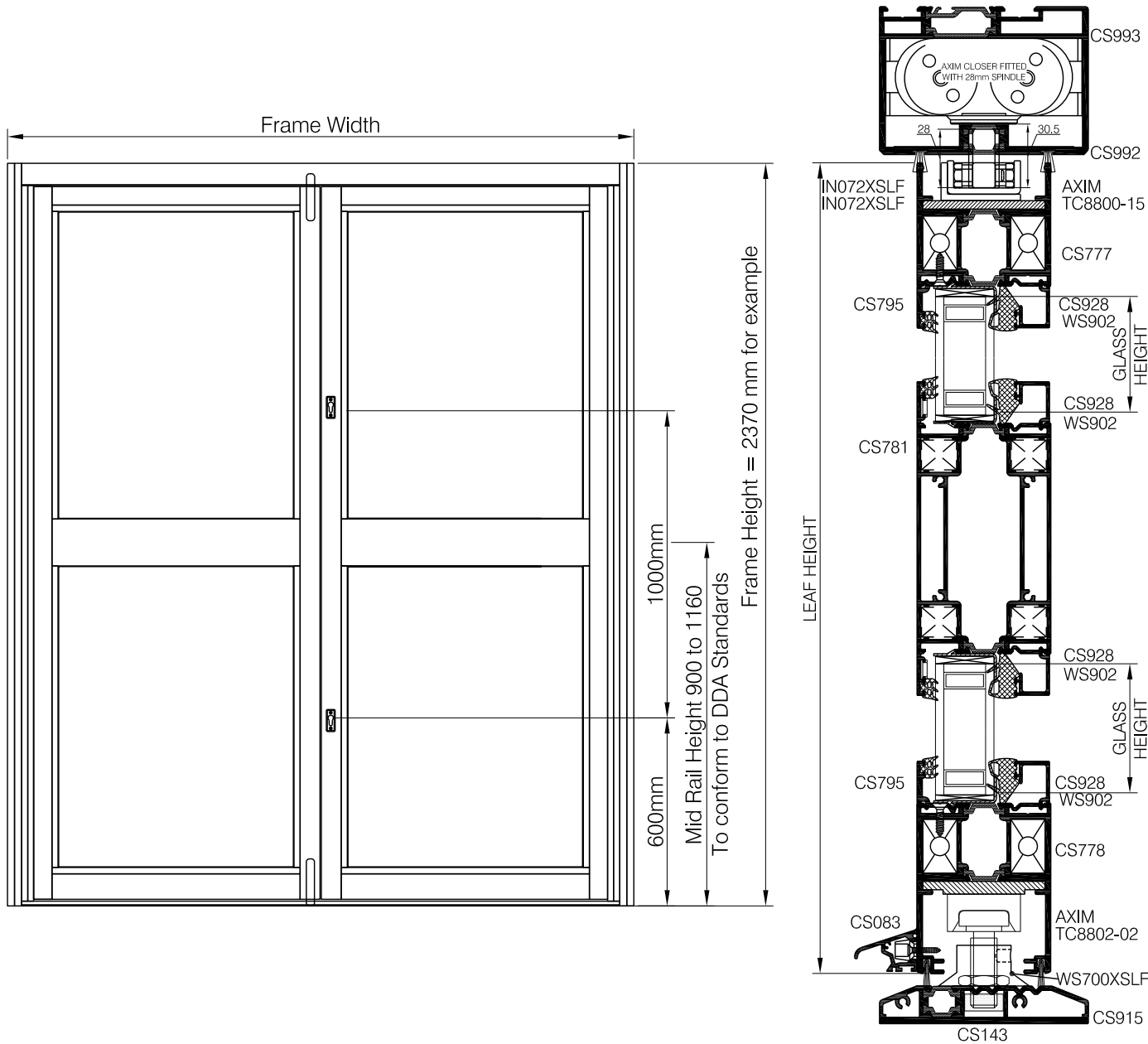
THE PARKSIDE GROUP LTD
 UNIT 5 ° THE WILLOW CENTRE
 17 WILLOW LANE ° MITCHAM
 SURREY ° CR4 4NX
 Tel: 020-8685 9685 Fax: 020-8687 1142
 Email: technical@parksidegrp.co.uk
 Web Site: http://www.comar-alu.co.uk

SCALE	NTS	© A4
DATE	03/10/2019	
DRAWN	VM/KP/BB	
DRG. No.	C7Pi-CD-1.11	R3



NOTE:
The maximum permissible gap between the frame and substrate is 8mm. Suitable plastic packers to be used.

Copyright & ownership of this drawing is vested in COMAR Architectural Aluminium Systems, whose prior written consent is required for its use, reproduction or publication to any third party. All other rights reserved. Subject to modifications without prior notification



Copyright & ownership of this drawing is vested in COMAR Architectural Aluminium Systems, whose prior written consent is required for its use, reproduction or publication to any third party. All other rights reserved. Subject to modifications without prior notification.

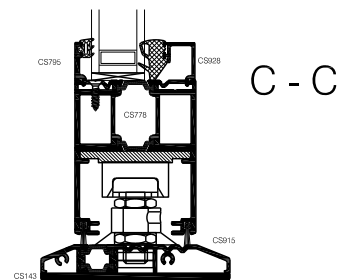
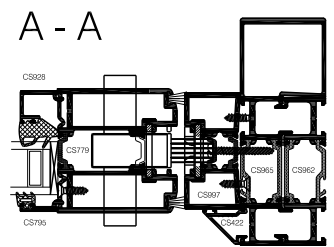
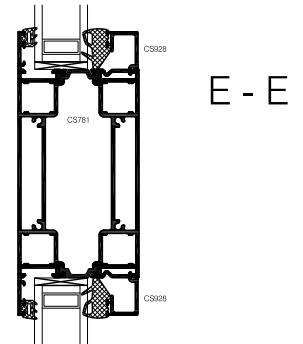
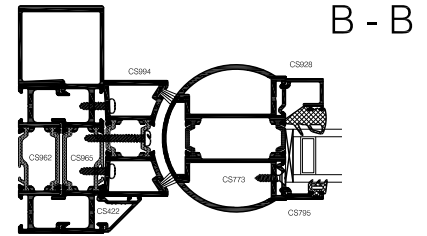
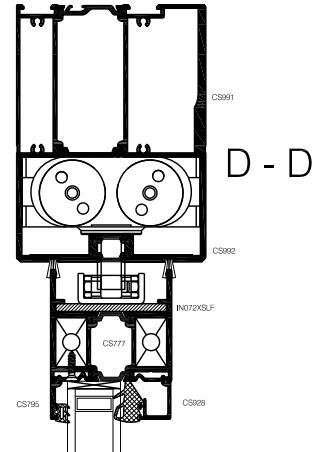
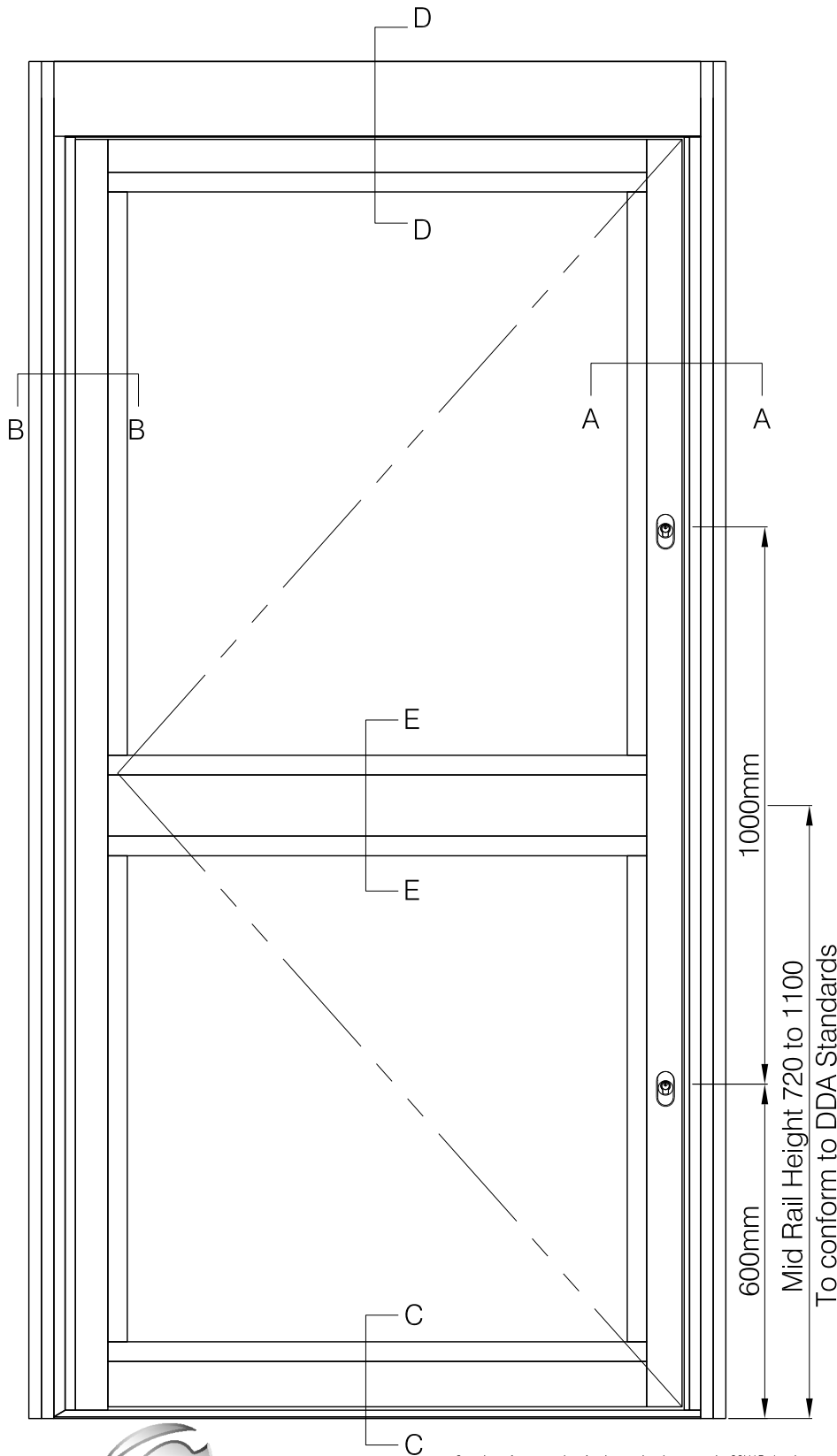
SCALE	1: 3 & 1: 20	@ A4
DATE	03/10/2019	
DRAWN	KP/CAD/BB	
DRG. No.	C7Pi-CD-1.13 R1	

comar 7P.i

TITLE **POLYAMIDE INSULATED DOORS
COMAR 7Pi COMMERCIAL DOOR**

SHEET No.
1.14

SUB TITLE **STANDARD OPTION
OUTER FRAME AND DOOR FRAME WORKING DRAWING / DIAGRAM**

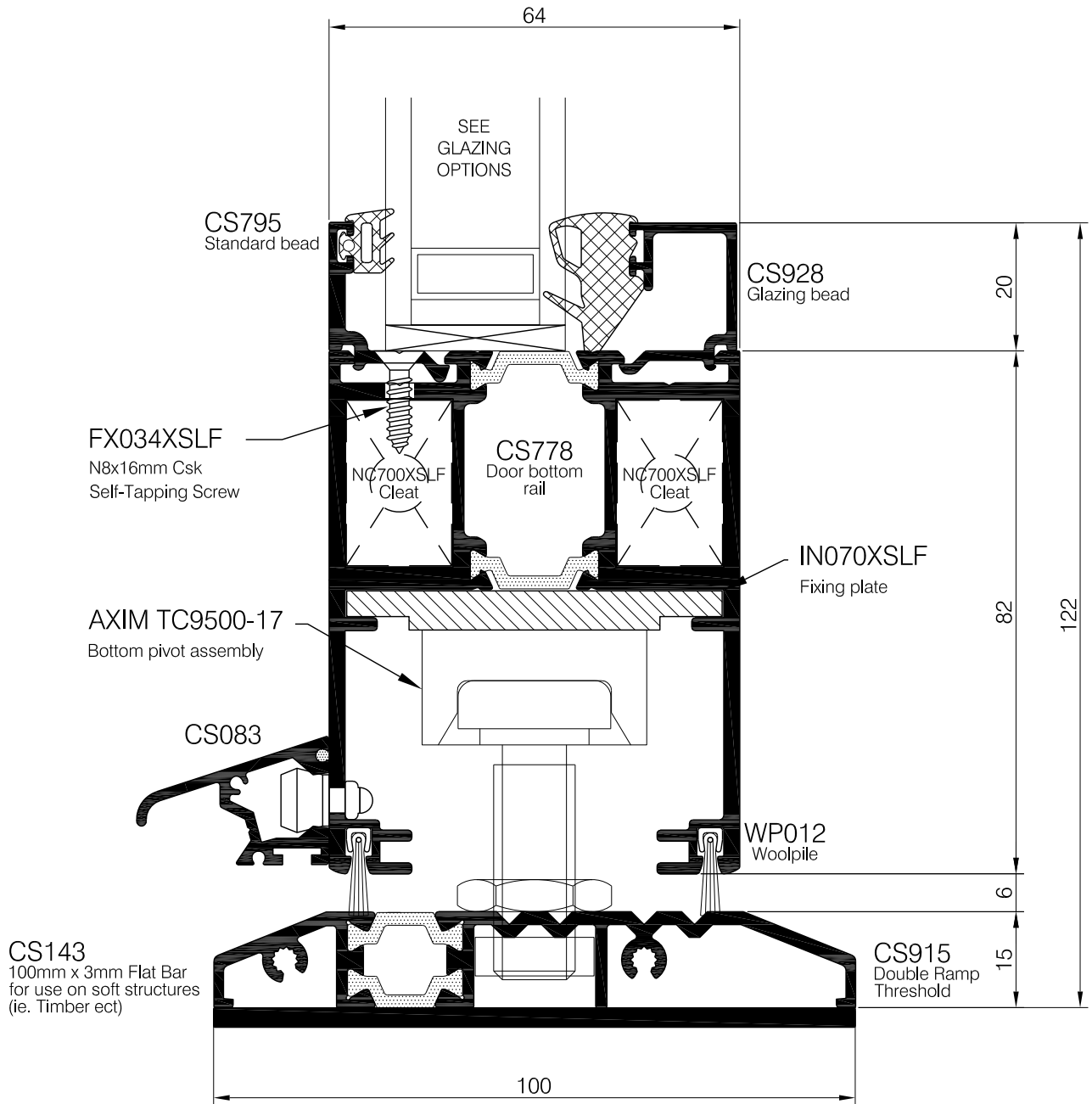


Copyright & ownership of this drawing is vested in COMAR Architectural Aluminium Systems, whose prior written consent is required for its use, reproduction or publication to any third party. All other rights reserved. Subject to modifications without prior notification

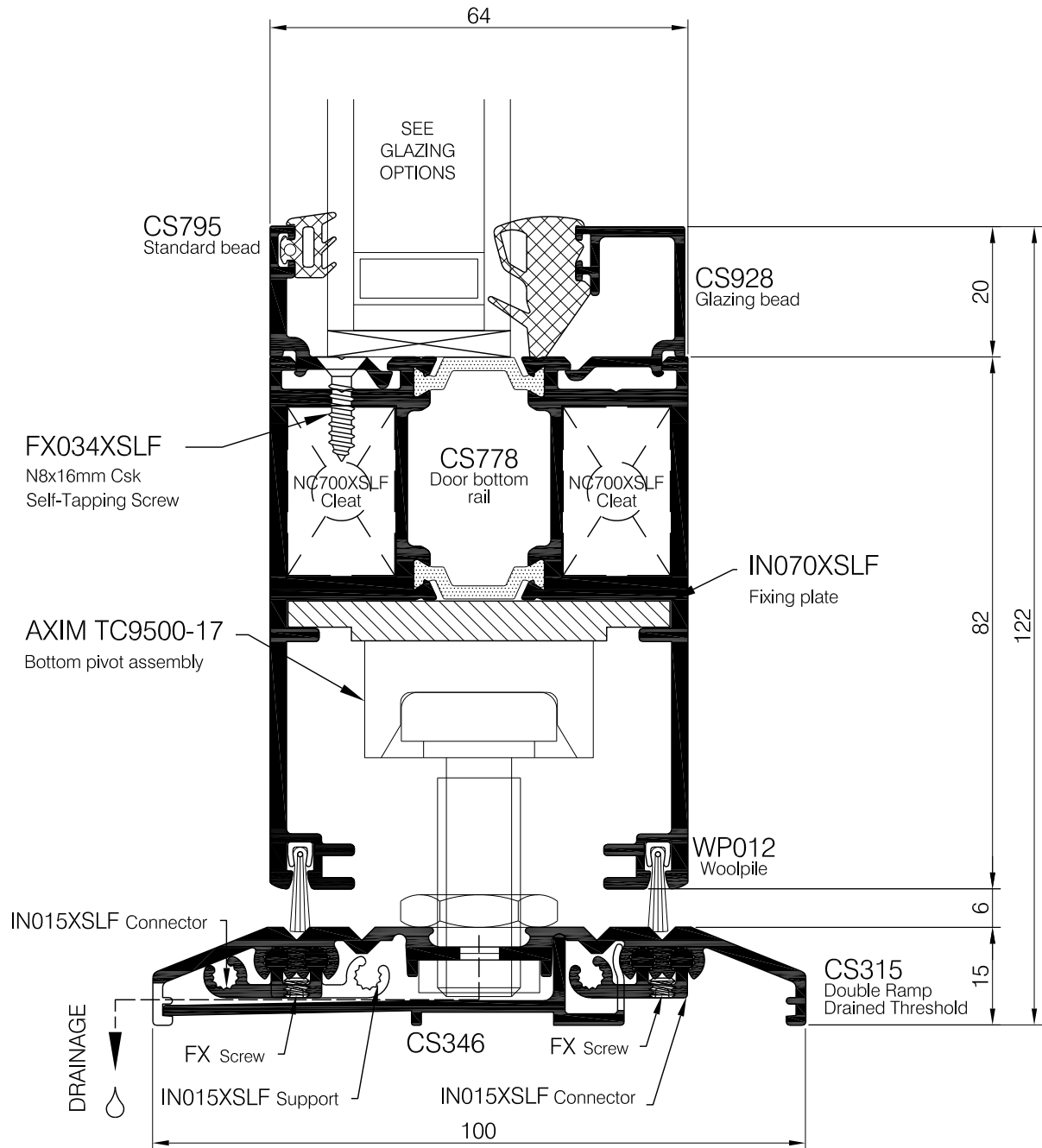


THE PARKSIDE GROUP LTD
UNIT 5 ° THE WILLOW CENTRE
17 WILLOW LANE ° MITCHAM
SURREY ° CR4 4NX
Tel: 020-8685 9685 Fax: 020-8687 1142
Email: technical@parksidegrp.co.uk
Web Site: http://www.comar-alu.co.uk

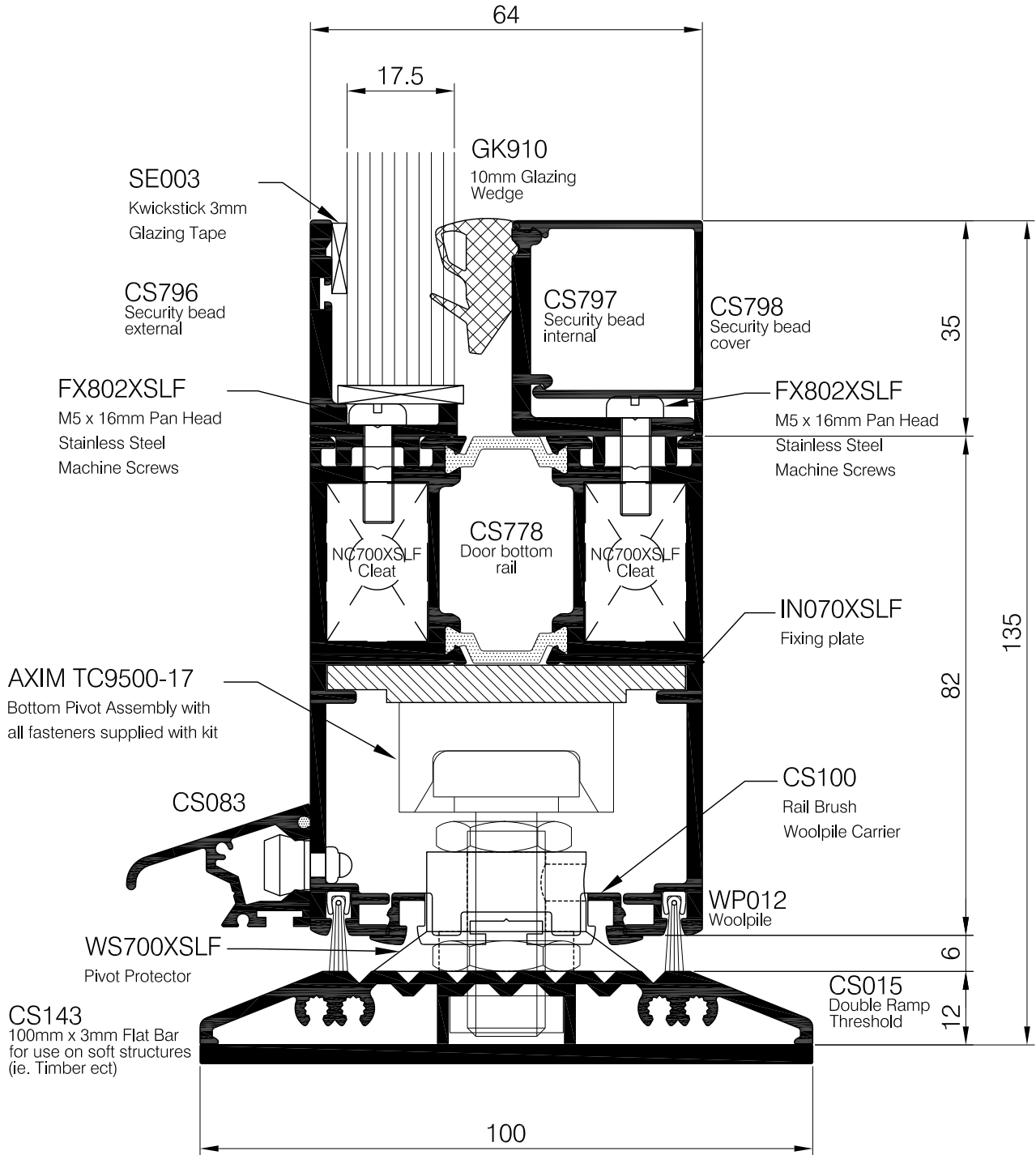
SCALE	NTS	© A4
DATE	03/10/2019	
DRAWN	NS/KD/BB	
DRG. No.	C7Pi-CD-1.14	R3



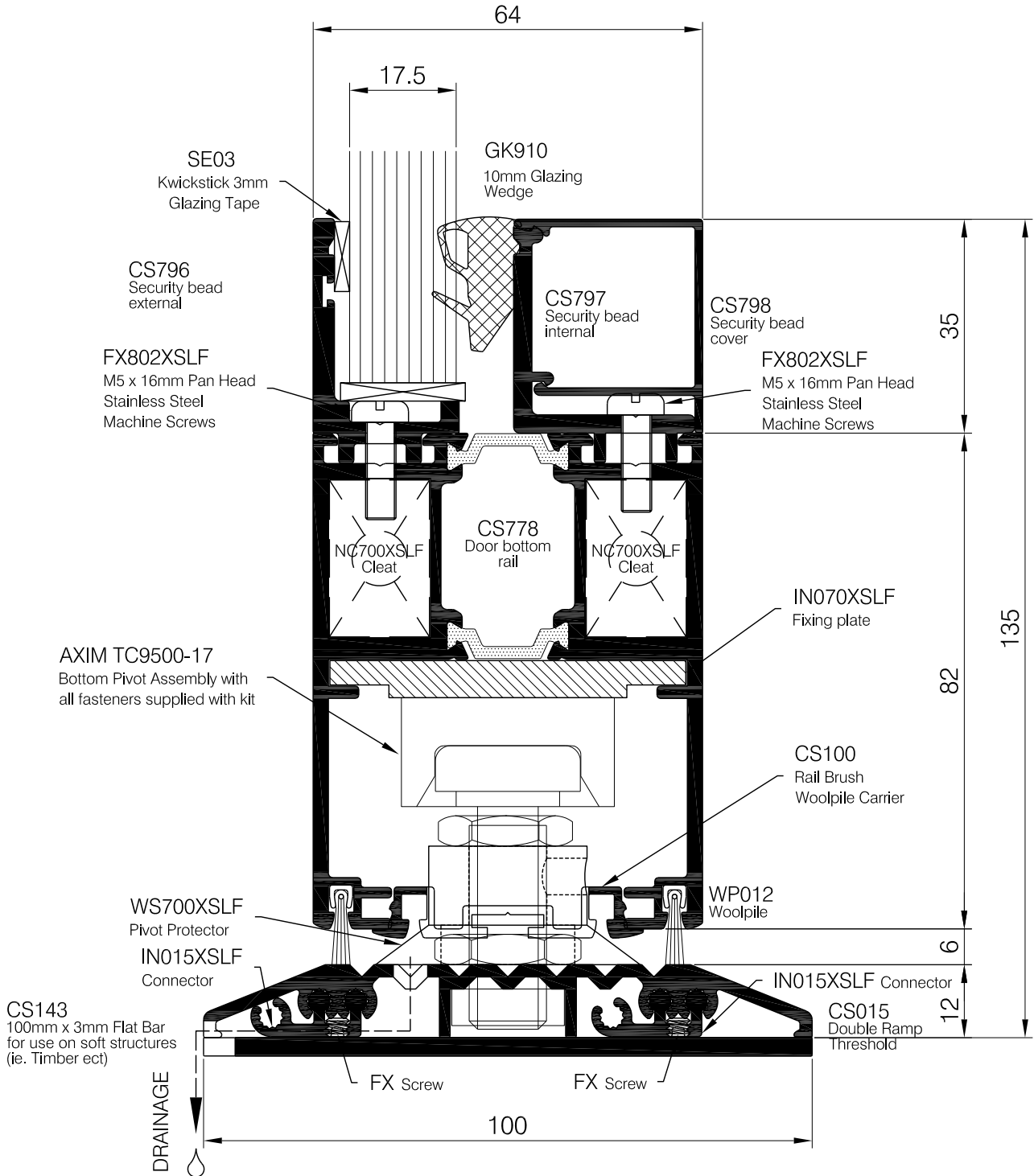
SCALE	1:1	© A4
DATE	20/08/2019	
DRAWN	VM/KD/BB	
DRG. No.	C7Pi-CD-2.01	R3



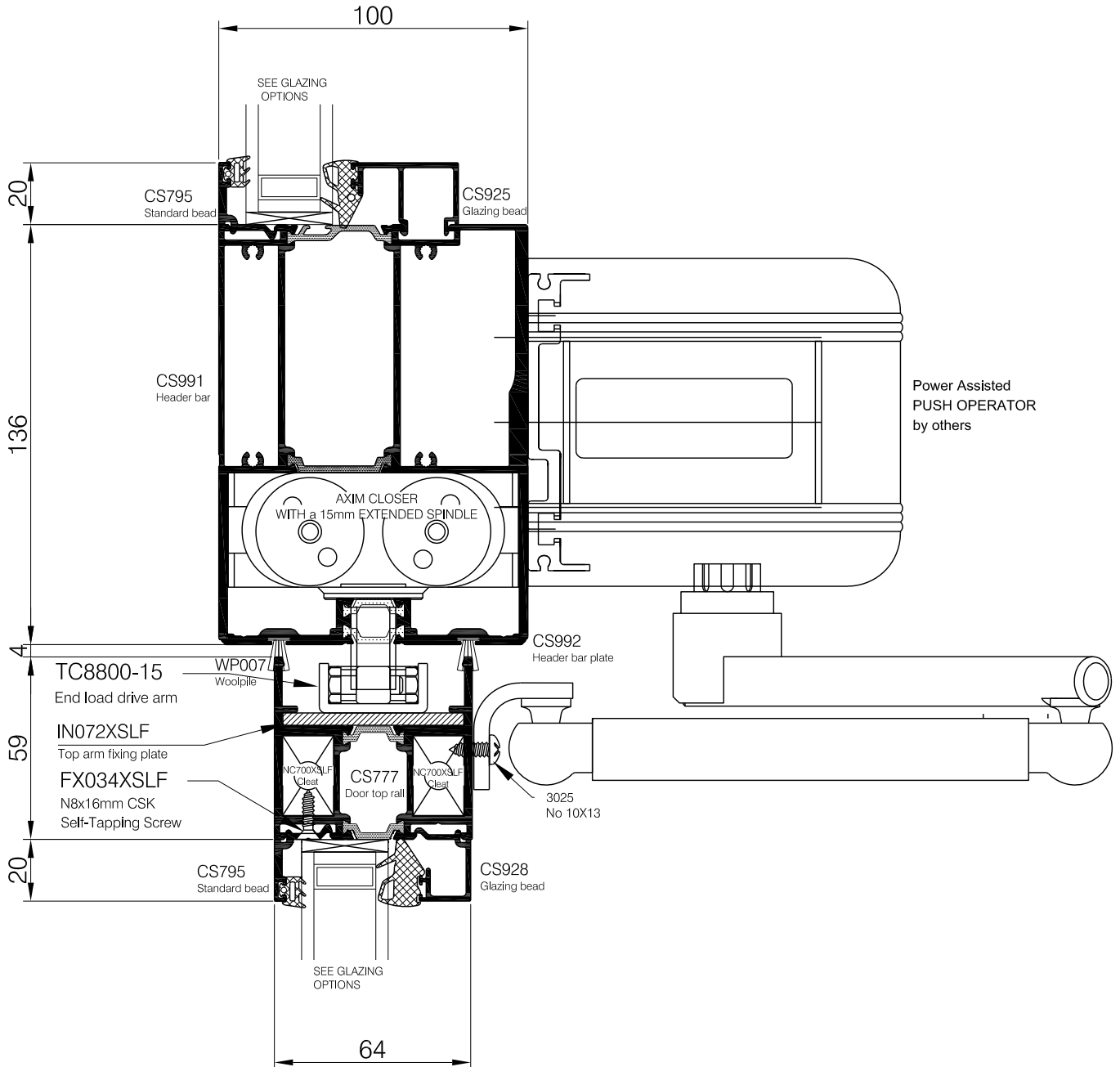
Copyright & ownership of this drawing is vested in COMAR Architectural Aluminium Systems, whose prior written consent is required for its use, reproduction or publication to any third party. All other rights reserved. Subject to modifications without prior notification



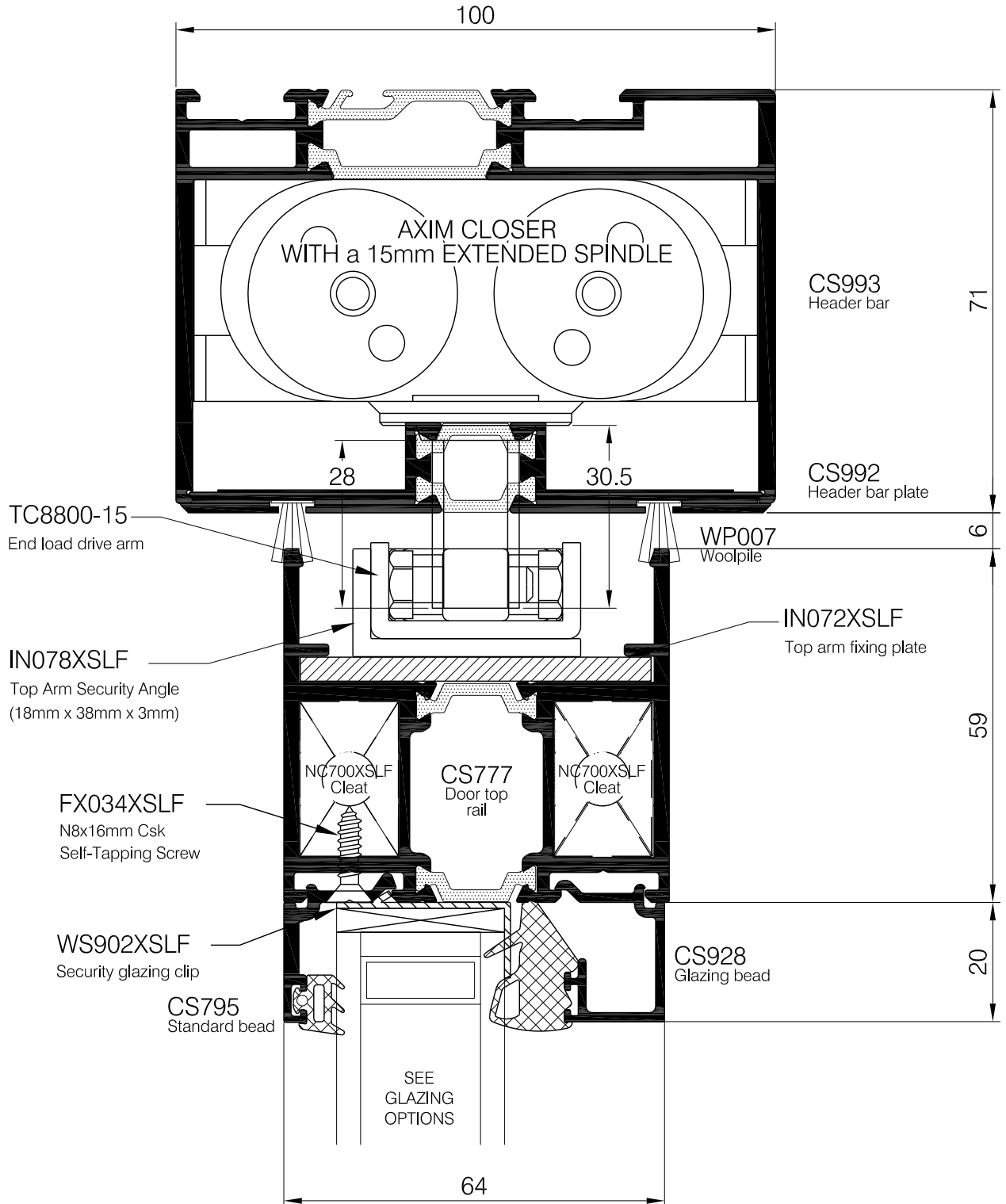
Copyright & ownership of this drawing is vested in COMAR Architectural Aluminium Systems, whose prior written consent is required for its use, reproduction or publication to any third party. All other rights reserved. Subject to modifications without prior notification



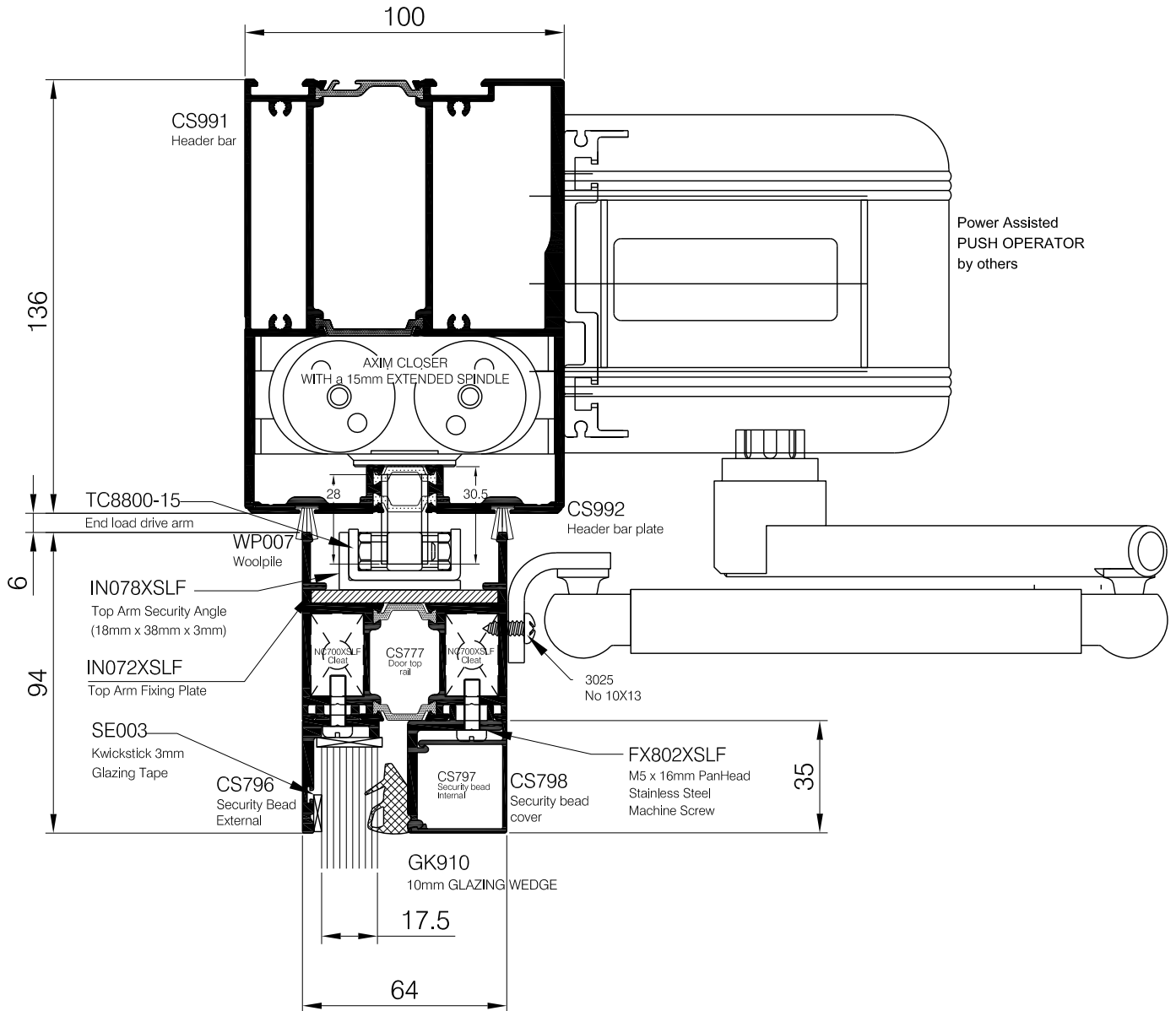
Copyright & ownership of this drawing is vested in COMAR Architectural Aluminium Systems, whose prior written consent is required for its use, reproduction or publication to any third party. All other rights reserved. Subject to modifications without prior notification



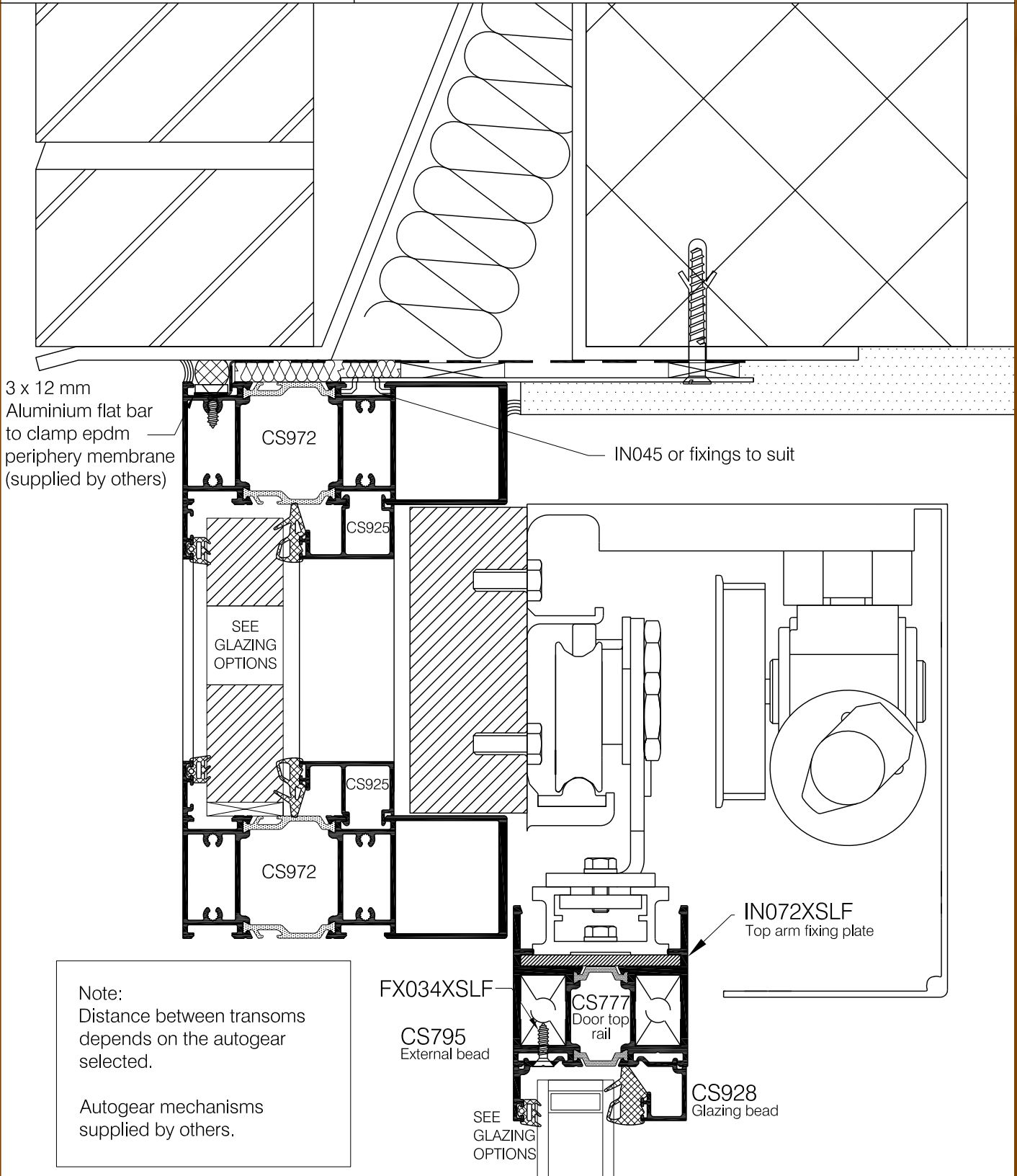
SCALE	1: 2	© A4
DATE	20/08/2019	
DRAWN	NS/KD/BB	
DRG. No.	C7Pi-CD-2.03.1 R2	



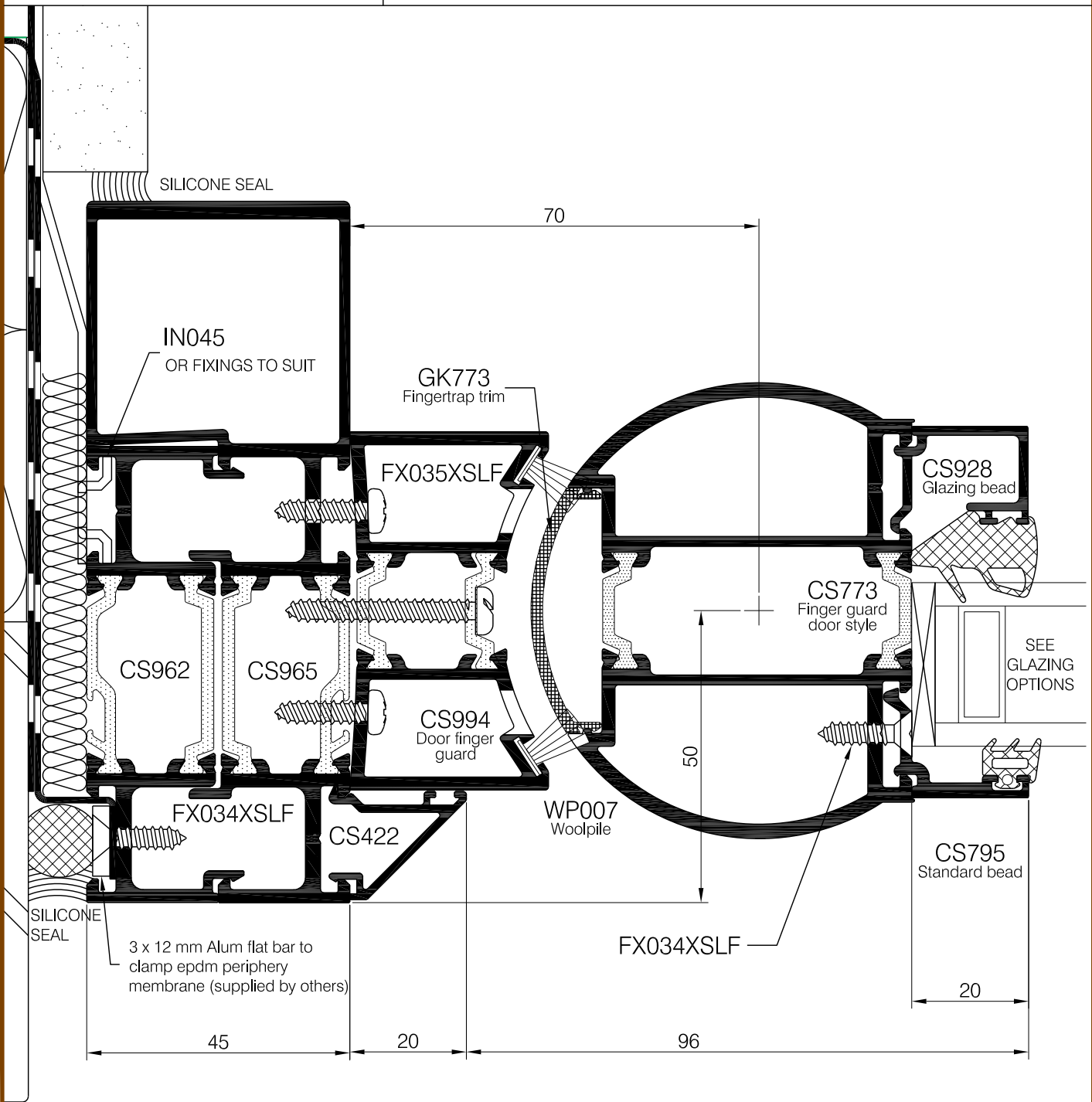
Copyright & ownership of this drawing is vested in COMAR Architectural Aluminium Systems, whose prior written consent is required for its use, reproduction or publication to any third party. All other rights reserved. Subject to modifications without prior notification



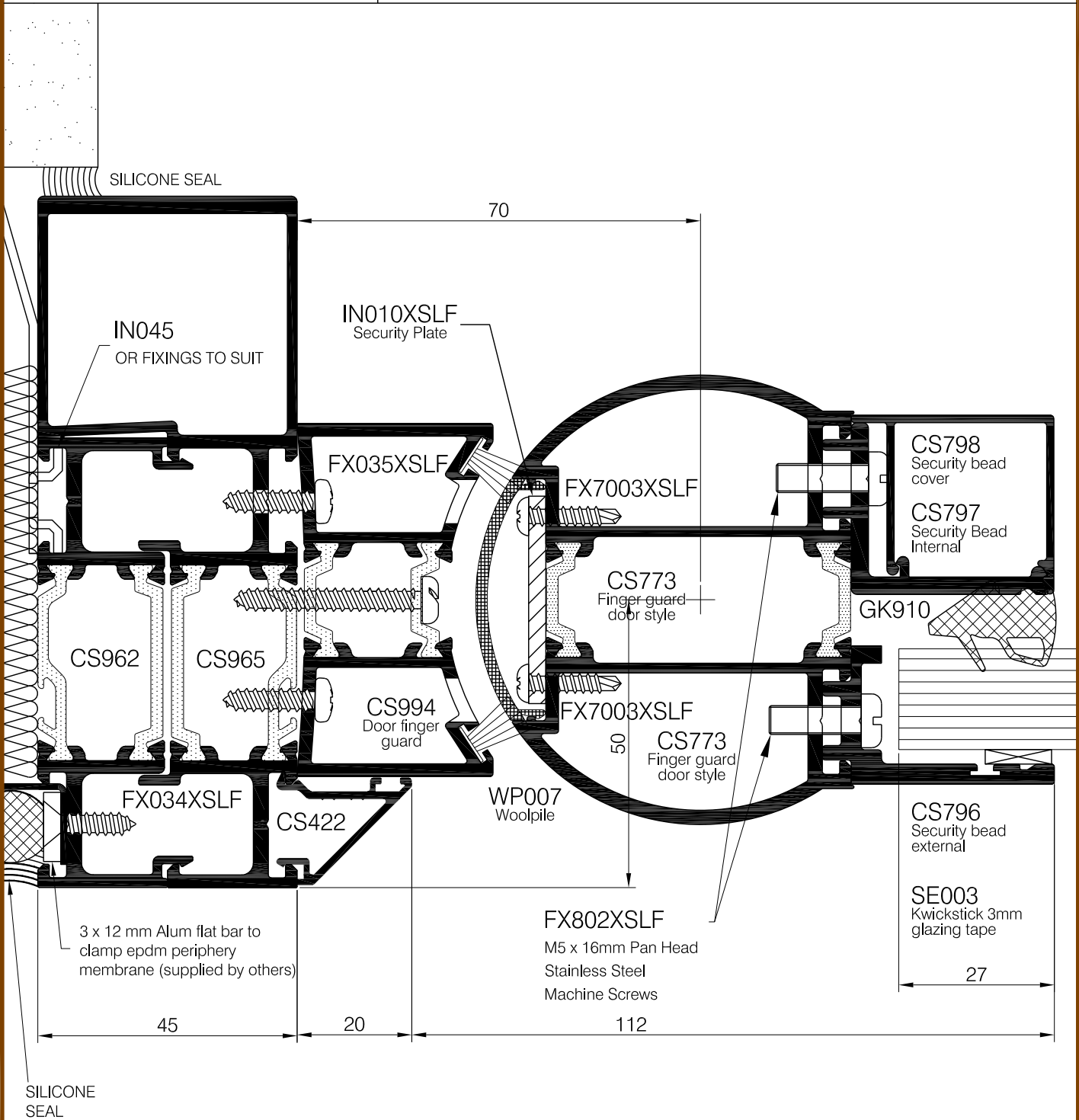
Copyright & ownership of this drawing is vested in COMAR Architectural Aluminium Systems, whose prior written consent is required for its use, reproduction or publication to any third party. All other rights reserved. Subject to modifications without prior notification



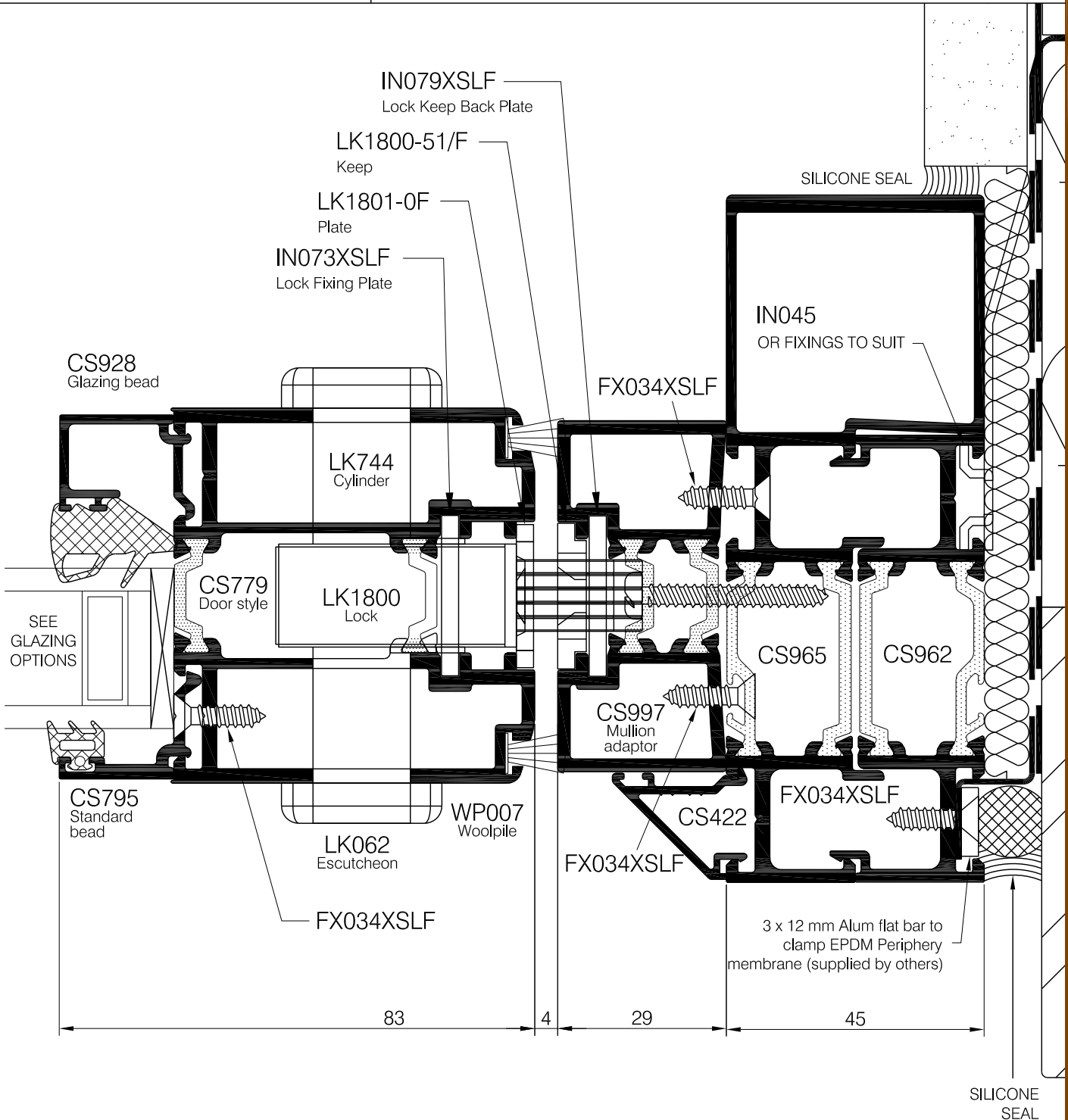
Copyright & ownership of this drawing is vested in COMAR Architectural Aluminium Systems, whose prior written consent is required for its use, reproduction or publication to any third party. All other rights reserved. Subject to modifications without prior notification



SCALE	1:1	© A4
DATE	20/08/2019	
DRAWN	VM/KP/BB	
DRG. No.	C7Pi-CD-2.06 R2	

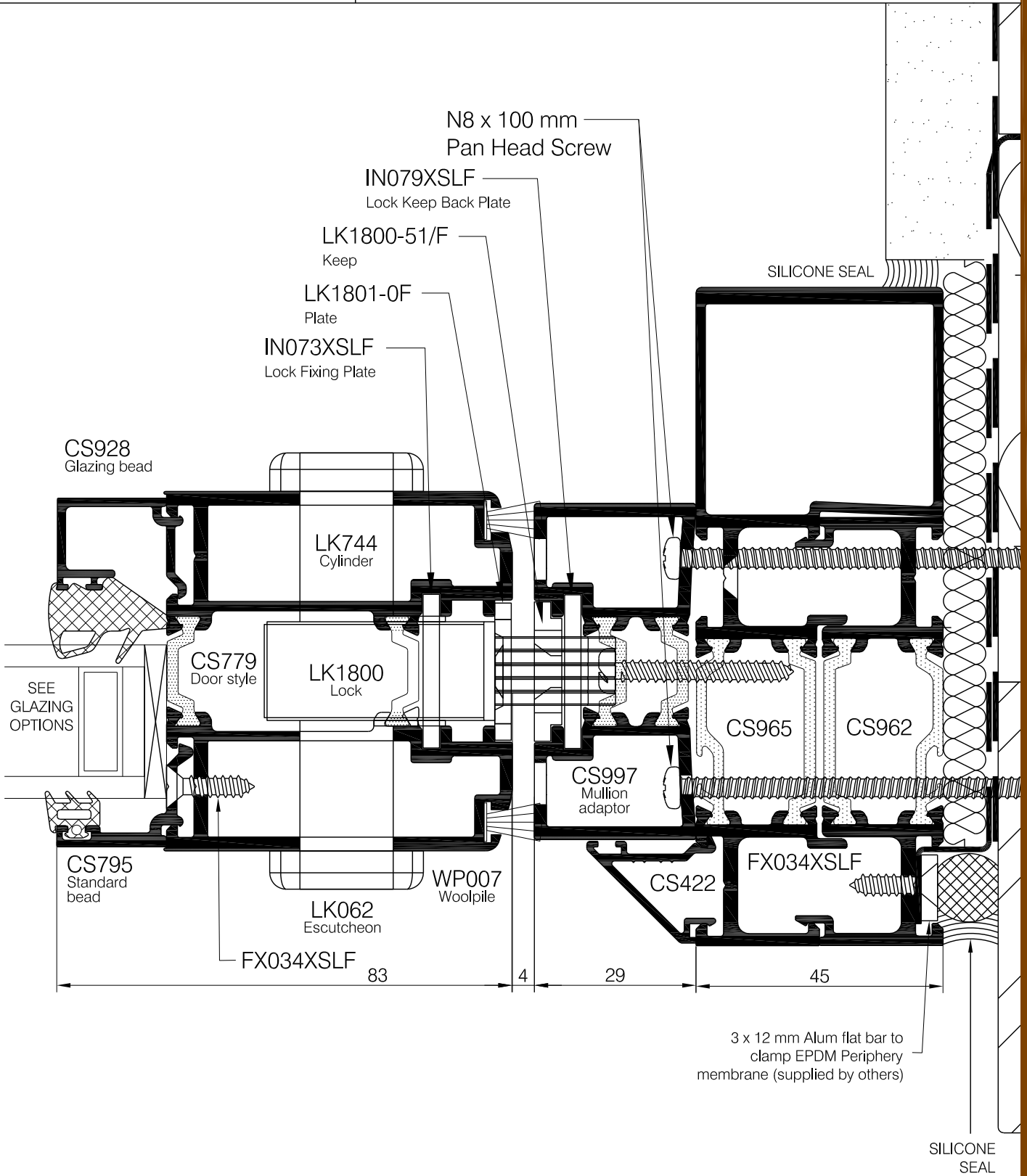


Copyright & ownership of this drawing is vested in COMAR Architectural Aluminium Systems, whose prior written consent is required for its use, reproduction or publication to any third party. All other rights reserved. Subject to modifications without prior notification



Copyright & ownership of this drawing is vested in COMAR Architectural Aluminium Systems, whose prior written consent is required for its use, reproduction or publication to any third party. All other rights reserved. Subject to modifications without prior notification

SCALE	1:1	© A4
DATE	20/08/2019	
DRAWN	VM/KP/BB	
DRG. No.	C7Pi-CD-2.08 R2	



Copyright & ownership of this drawing is vested in COMAR Architectural Aluminium Systems, whose prior written consent is required for its use, reproduction or publication to any third party. All other rights reserved. Subject to modifications without prior notification

SCALE	1:1	© A4
DATE	20/08/2019	
DRAWN	KP/BB	
DRG. No.	C7Pi-CD-2.08.1 R1	

comar 7P.i

TITLE
**POLYAMIDE INSULATED DOORS
COMAR 7Pi COMMERCIAL DOOR**

SHEET No.
2.08.2

SUB TITLE
INTENTIONALLY BLANK

INTENTIONALLY
BLANK



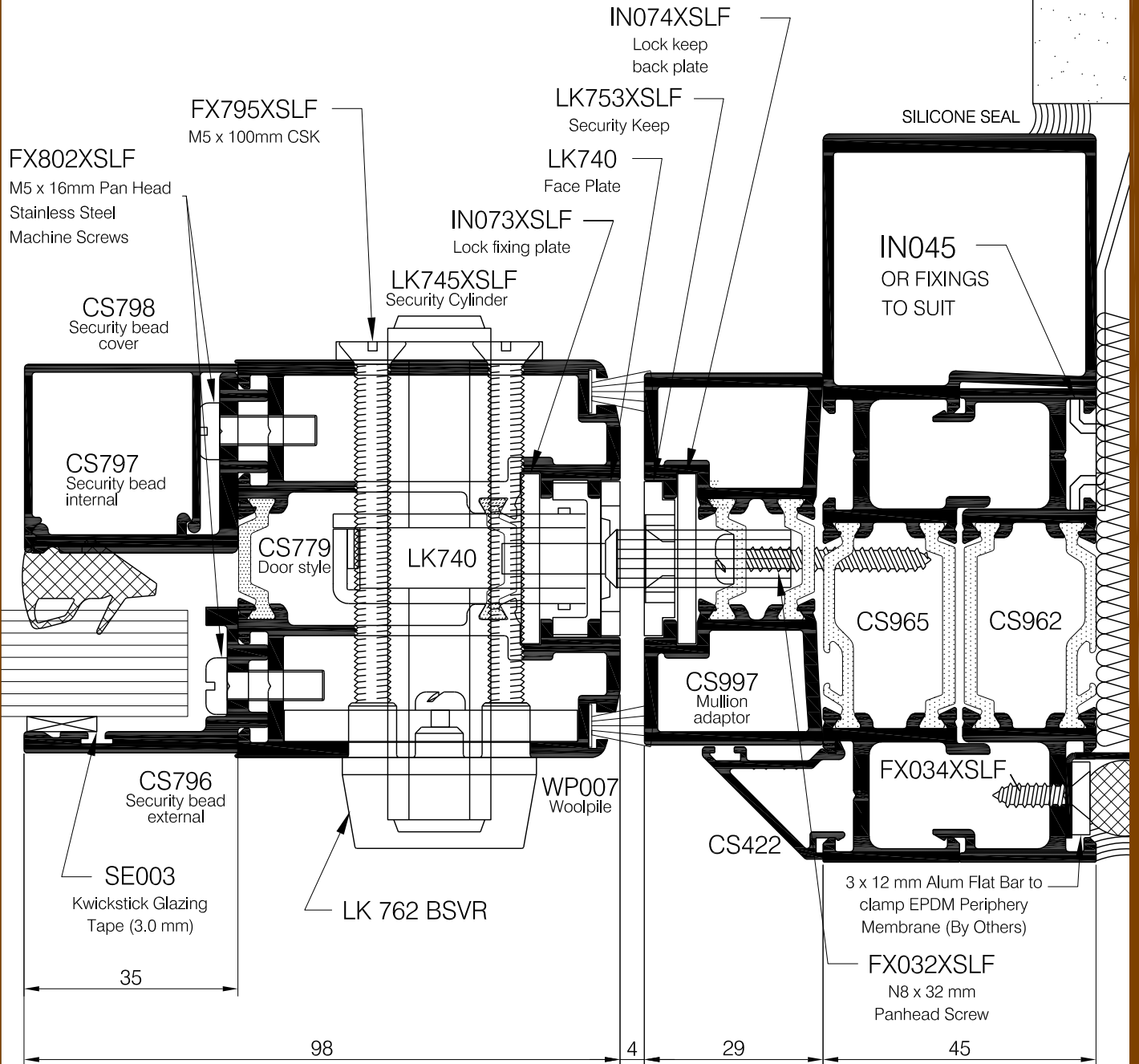
comar
ARCHITECTURAL ALUMINIUM SYSTEMS



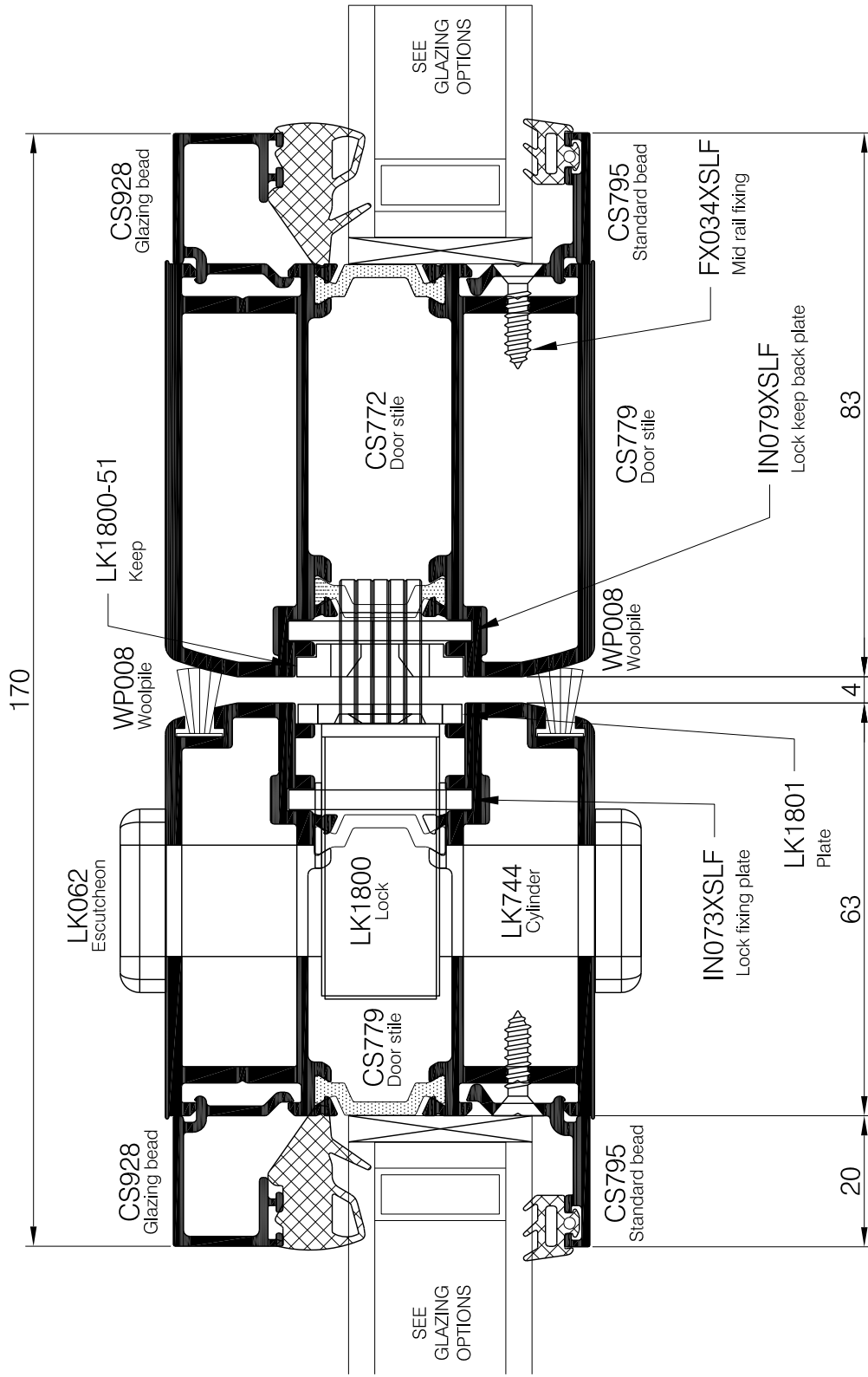
Copyright & ownership of this drawing is vested in COMAR Architectural Aluminium Systems, whose prior written consent is required for its use, reproduction or publication to any third party. All other rights reserved. Subject to modifications without prior notification

THE PARKSIDE GROUP LTD
UNIT 5 ° THE WILLOW CENTRE
17 WILLOW LANE ° MITCHAM
SURREY ° CR4 4NX
Tel: 020-8685 9685 Fax: 020-8687 1142
Email: technical@parksidegrp.co.uk
Web Site: <http://www.comar-alu.co.uk>

SCALE	1:1	© A4
DATE	20/08/2019	
DRAWN	CAD/BB	
DRG. No.	C7Pi-CD-2.08.2 R0	

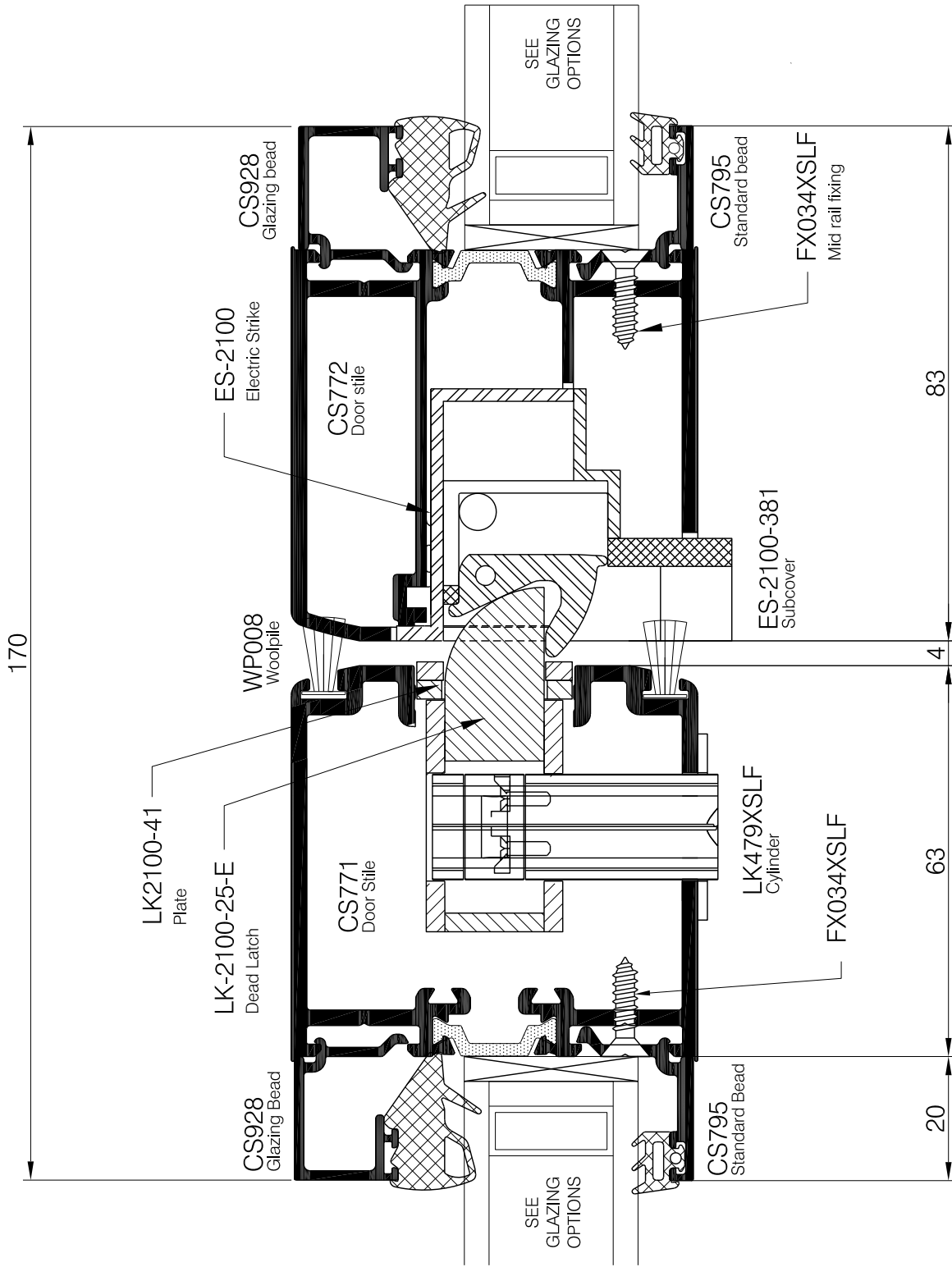


Copyright & ownership of this drawing is vested in COMAR Architectural Aluminium Systems, whose prior written consent is required for its use, reproduction or publication to any third party. All other rights reserved. Subject to modifications without prior notification

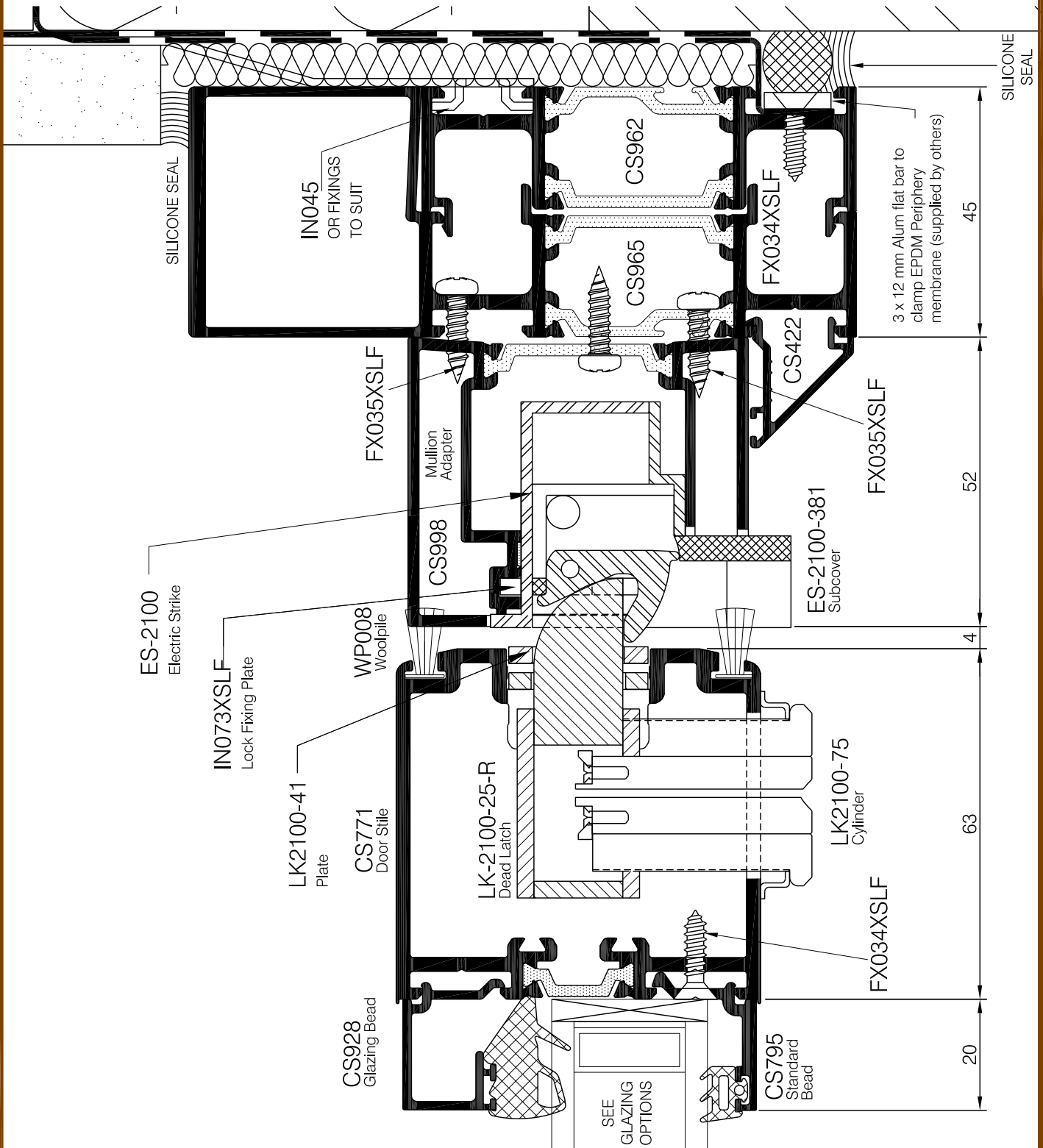


Copyright & ownership of this drawing is vested in COMAR Architectural Aluminium Systems, whose prior written consent is required for its use, reproduction or publication to any third party. All other rights reserved. Subject to modifications without prior notification

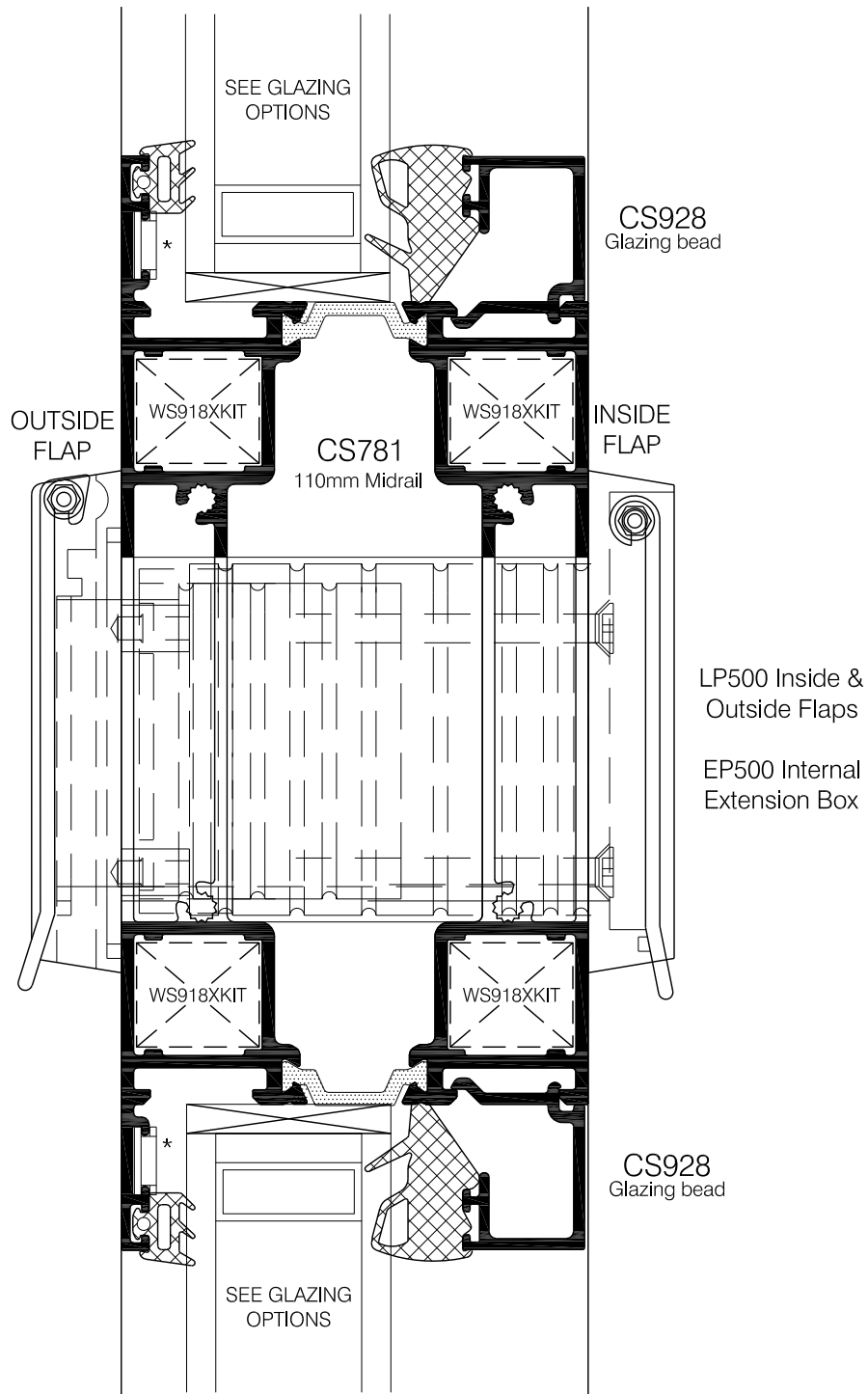
SCALE	1:1	© A4
DATE	20/08/2019	
DRAWN	VM/KP/BB	
DRG. No.	C7Pi-CD-2.10 R2	



Copyright & ownership of this drawing is vested in COMAR Architectural Aluminium Systems, whose prior written consent is required for its use, reproduction or publication to any third party. All other rights reserved. Subject to modifications without prior notification

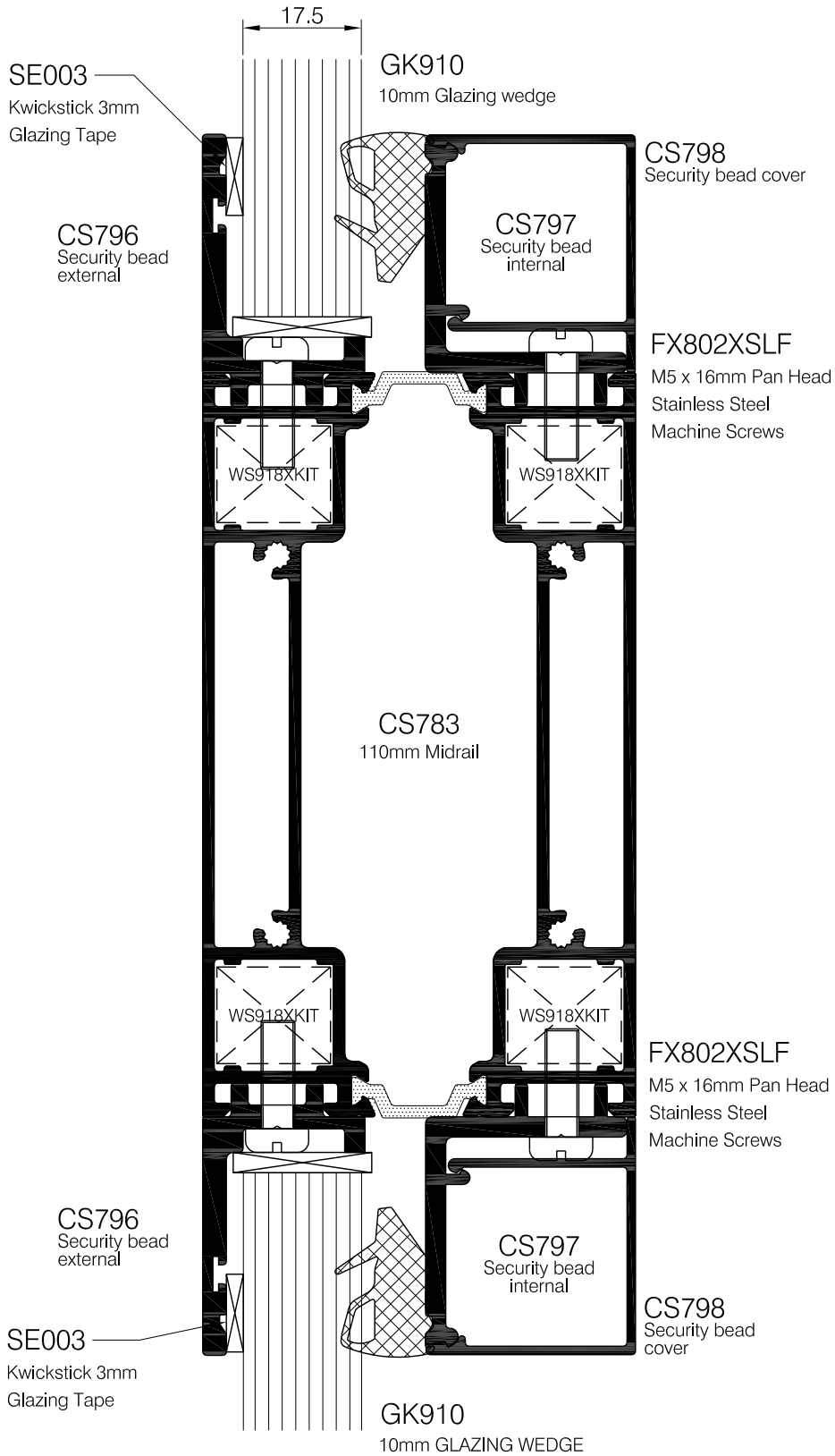


Copyright & ownership of this drawing is vested in COMAR Architectural Aluminium Systems, whose prior written consent is required for its use, reproduction or publication to any third party. All other rights reserved. Subject to modifications without prior notification



* DENOTES WS916XSLF ALIGNMENT

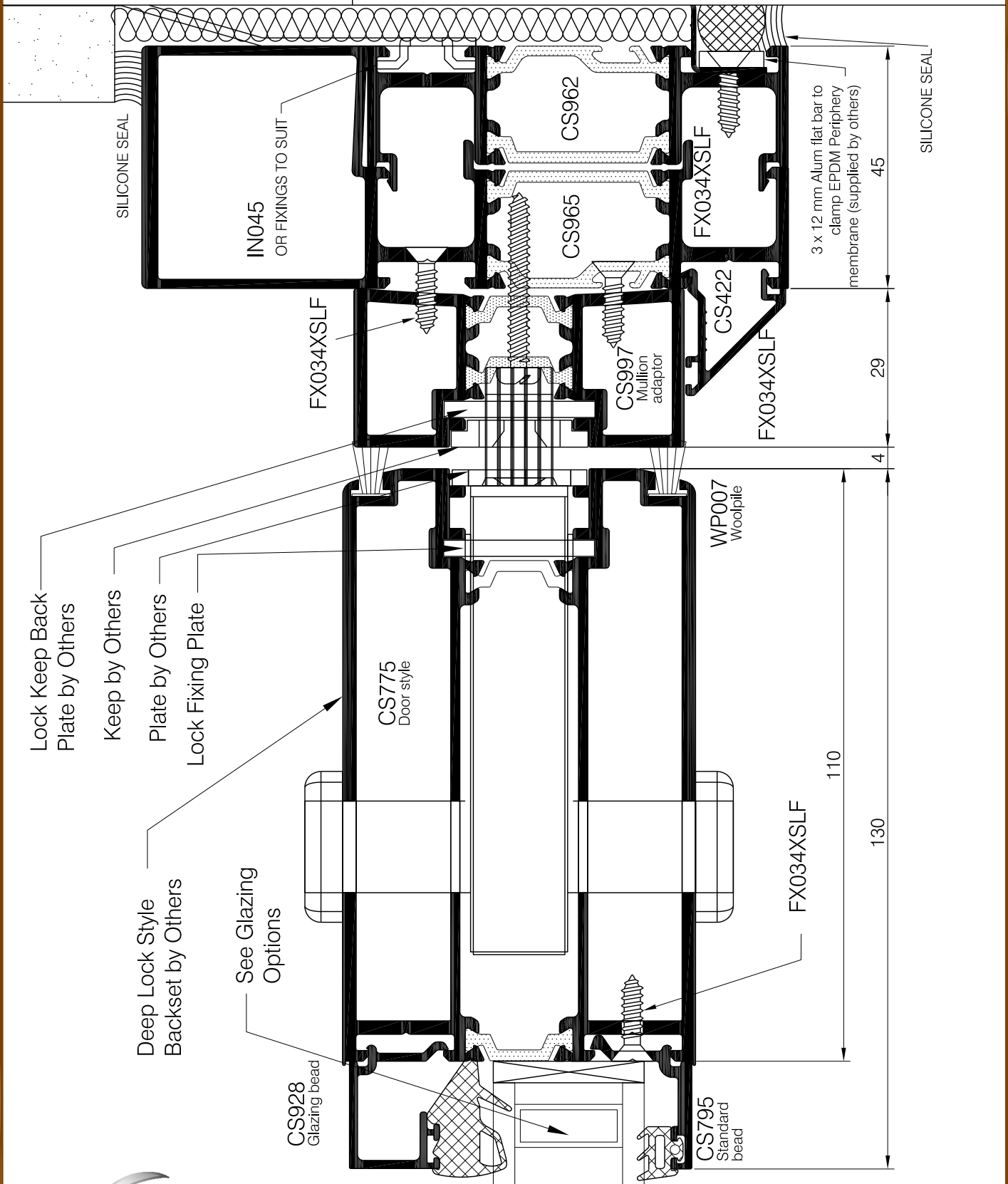
Copyright & ownership of this drawing is vested in COMAR Architectural Aluminium Systems, whose prior written consent is required for its use, reproduction or publication to any third party. All other rights reserved. Subject to modifications without prior notification



Copyright & ownership of this drawing is vested in COMAR Architectural Aluminium Systems, whose prior written consent is required for its use, reproduction or publication to any third party. All other rights reserved. Subject to modifications without prior notification

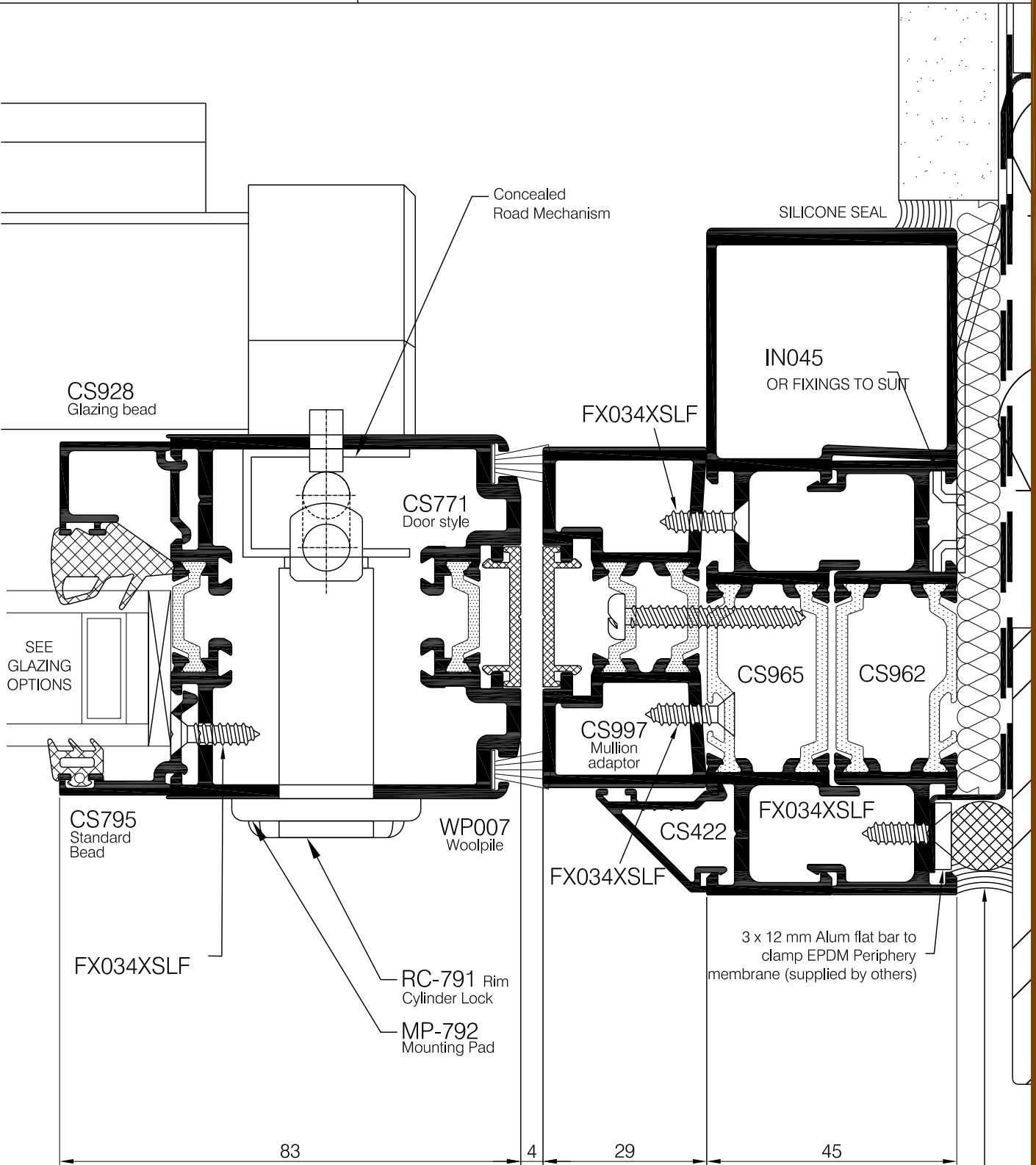


SCALE	1:1	© A4
DATE	20/08/2019	
DRAWN	VM/CAD/BB	
DRG. No.	C7Pi-CD-2.13 R1	



Copyright & ownership of this drawing is vested in COMAR Architectural Aluminium Systems, whose prior written consent is required for its use, reproduction or publication to any third party. All other rights reserved. Subject to modifications without prior notification

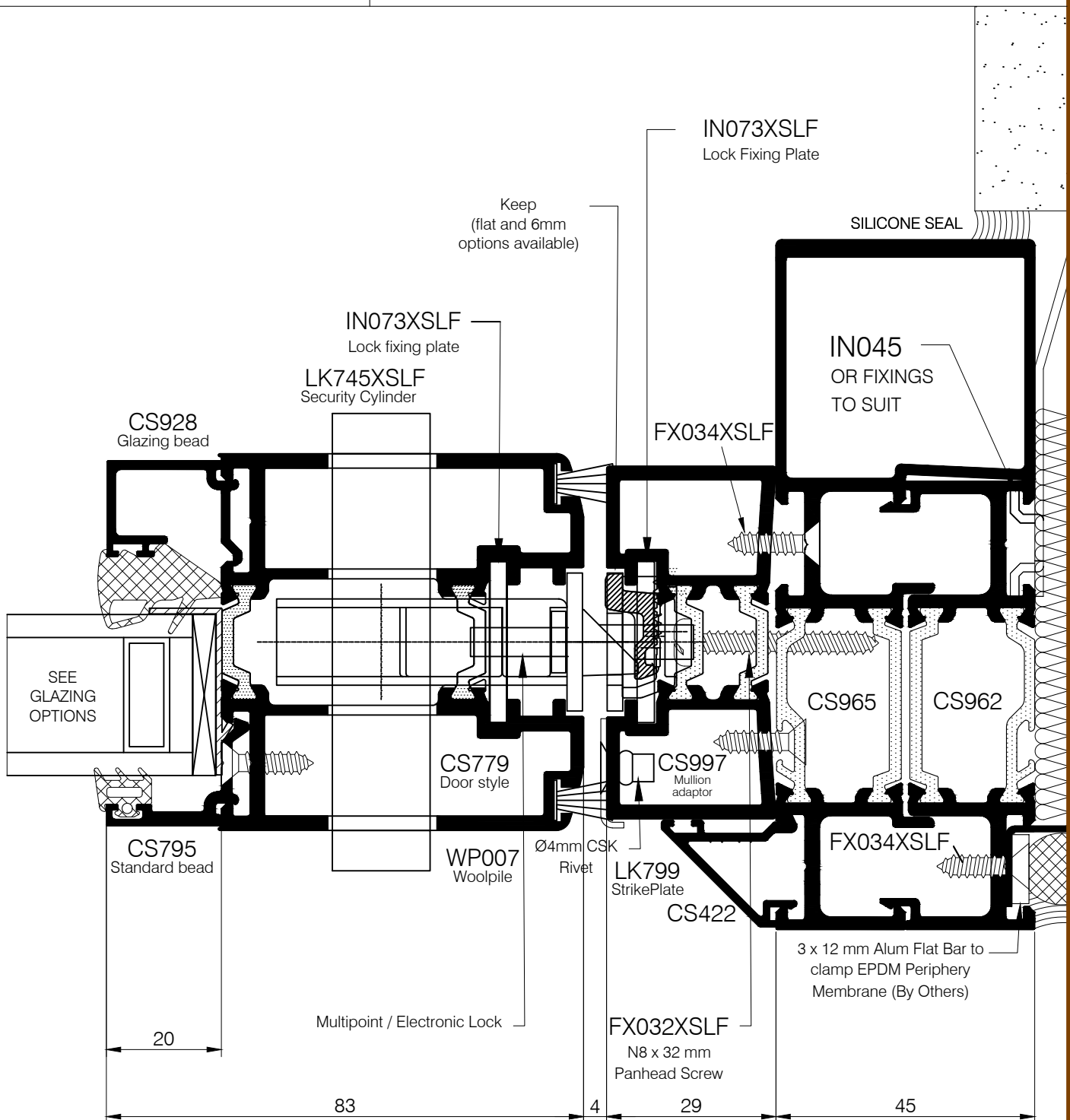
SCALE	1:1	© A4
DATE	20/08/2019	
DRAWN	KP/CAD/BB	
DRG. No.	C7Pi-CD-2.14 R1	



SILICONE SEAL

Copyright & ownership of this drawing is vested in COMAR Architectural Aluminium Systems, whose prior written consent is required for its use, reproduction or publication to any third party. All other rights reserved. Subject to modifications without prior notification

SCALE	1:1	© A4
DATE	20/08/2019	
DRAWN	KP/CAD/BB	
DRG. No.	C7Pi-CD-2.15 R1	



Note: Locking mechanism will not throw latches if gap between keeps and latches exceeds 4mm. 6mm keeps and magnet are available to reduce the gap.

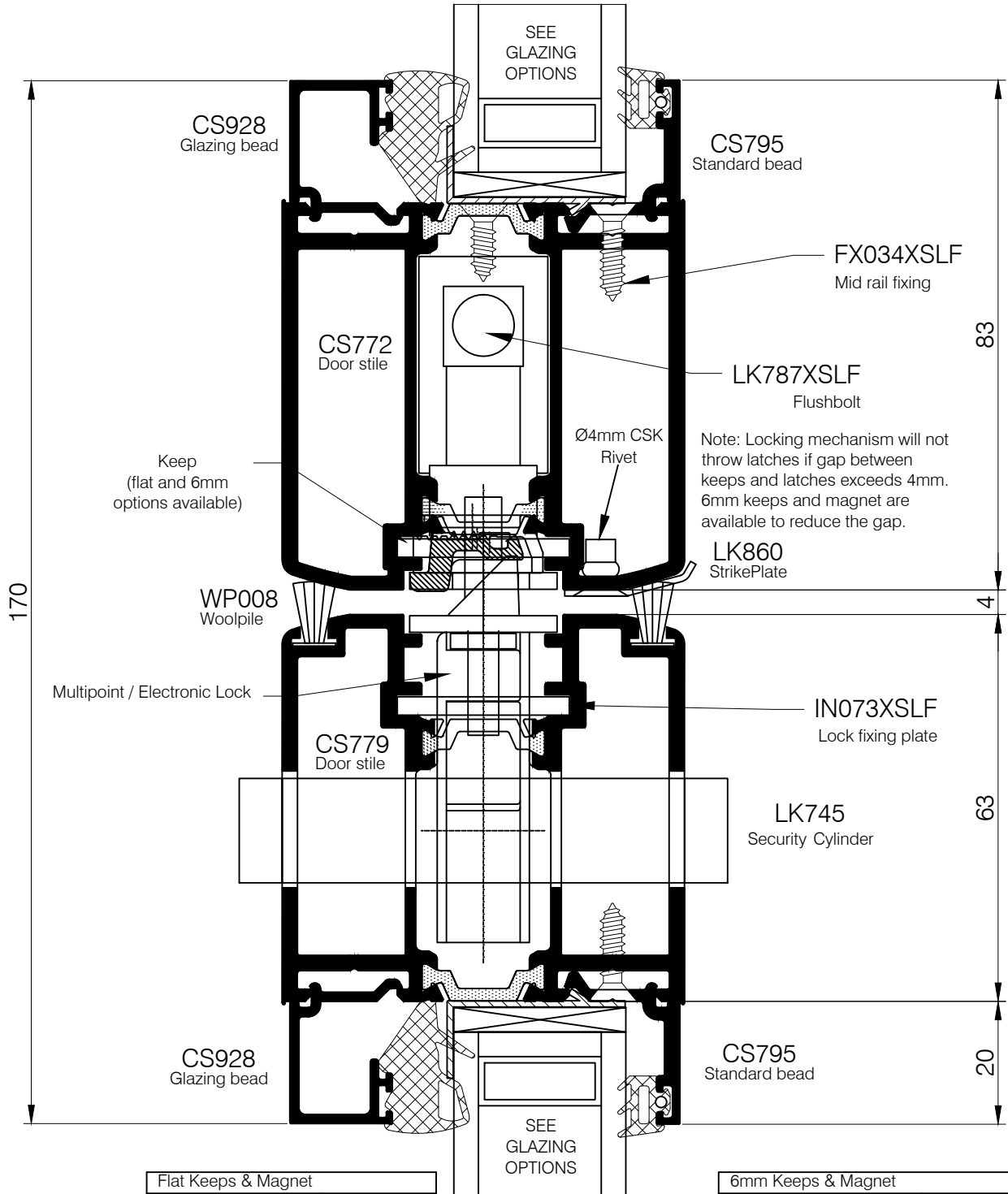
Flat Keeps & Magnet	
Description	Part No
Flat Centre Keep LH	LK750XSFL
Flat Centre Keep RH	LK749XSFL
Flat Keep	LK751XSFL
Flat Magnet	LK776XSFL

6mm Keeps & Magnet	
Description	Part No
6.5mm Centre Keep LH	LK773XSFL
6.5mm Centre Keep RH	LK774XSFL
6.6mm "U" Keep	LK775XSFL
6.6mm Magnet	LK777XSFL

Copyright & ownership of this drawing is vested in COMAR Architectural Aluminium Systems, whose prior written consent is required for its use, reproduction or publication to any third party. All other rights reserved. Subject to modifications without prior notification



SCALE	1:1	© A4
DATE	17/09/18	
DRAWN	NRA/KP	
DRG. No.	C7Pi-CD-2.16 R2	



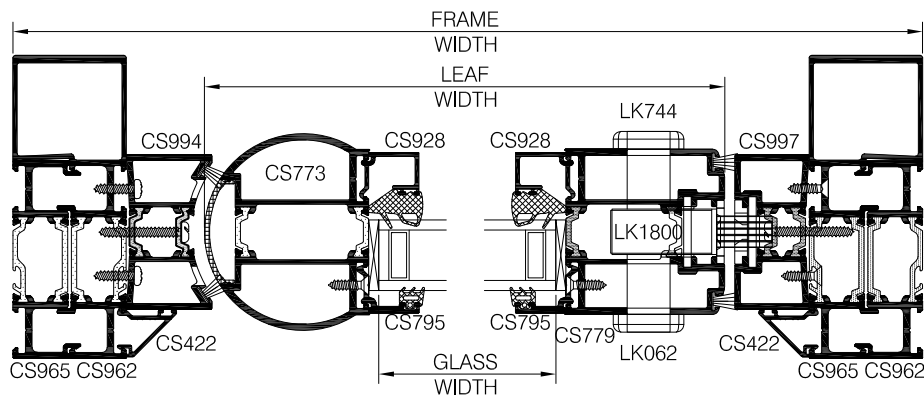
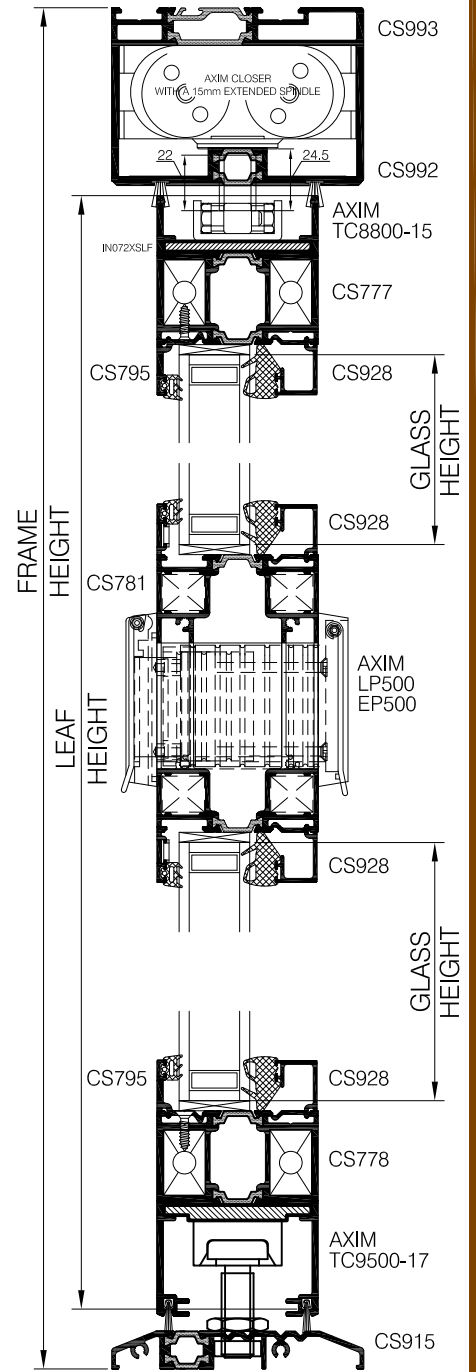
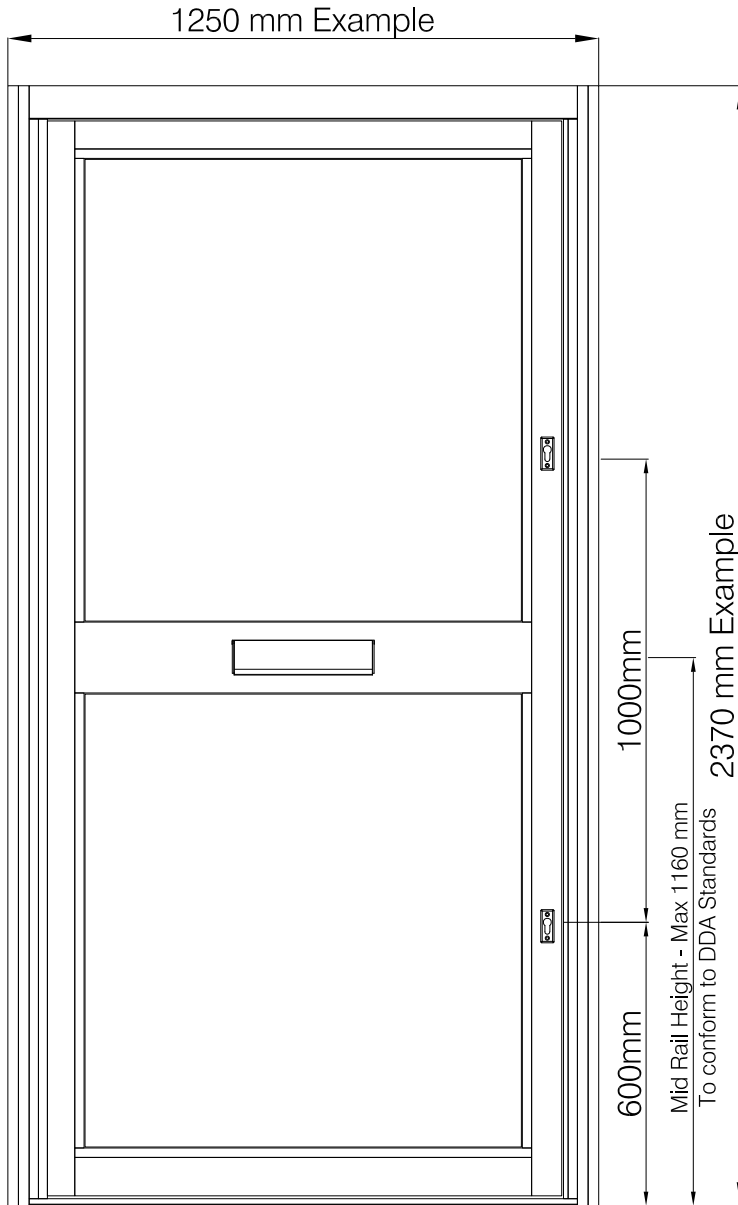
Flat Keeps & Magnet	
Description	Part No
Flat Centre Keep LH	LK750XSLF
Flat Centre Keep RH	LK749XSLF
Flat Keep	LK751XSLF
Flat Magnet	LK776XSLF

6mm Keeps & Magnet	
Description	Part No
6.5mm Centre Keep LH	LK773XSLF
6.5mm Centre Keep RH	LK774XSLF
6.6mm "U" Keep	LK775XSLF
6.6mm Magnet	LK777XSLF

Copyright & ownership of this drawing is vested in COMAR Architectural Aluminium Systems, whose prior written consent is required for its use, reproduction or publication to any third party. All other rights reserved. Subject to modifications without prior notification



SCALE	1:1	© A4
DATE	17/09/2018	
DRAWN	NRA/KP	
DRG. No.	C7Pi-CD-2.17 R2	



Copyright & ownership of this drawing is vested in COMAR Architectural Aluminium Systems, whose prior written consent is required for its use, reproduction or publication to any third party. All other rights reserved. Subject to modifications without prior notification

SCALE	1: 3 & 1: 16	@ A4
DATE	03/10/2019	
DRAWN	VM/KD/BB	
DRG. No.	C7Pi-CD-3.01 R5	

ABBREVIATIONS

(B) = OVERALL WIDTH (H) = OVERALL HEIGHT

Example Cutting List for Standard Swing Door Outer Frame 1250 mm (B) x 2370 mm (H)				
FRAME - DRIP SECTION	CS083	1 @	B - 154	1,096.0 mm
BEAD - VERTICAL	CS422	2 @	H - 78	2,289.0 mm
FRAME - MULLION	CS965	2 @	H	2,370.0 mm
FRAME - INFILL PLATE	CS962	2 @	H	2,370.0 mm
FRAME - HEADER BAR	CS993	1 @	B - 90	1,160.0 mm
FRAME - HEADER BAR PLATE	CS992	1 @	B - 90	1,160.0 mm
DOUBLE RAMP THRESHOLD	CS915	1 @	B - 90	1,160.0 mm
DOOR FINGER GUARD	CS994	1 @	H - 88.6	2,281.4 mm
MULLION ADAPTOR	CS997	1 @	H - 88.6	2,281.4 mm
WOOLPILE	WP007	2 @	B - 90	1,160.0 mm
WOOLPILE	WP007	2 @	H - 88.6	2,281.4 mm

Example Cutting List for Standard Swing Door Leaf with Mid-Rail set at 1160 mm exactly				
BEAD HORIZONTAL	CS928	4 @	B - 282.0	968.0 mm
BEAD VERTICAL - TOP	CS928	2 @	H - 1,385.3	984.7 mm
BEAD VERTICAL - BOTTOM	CS928	2 @	H - 1,407.8	962.2 mm
DOOR - AFT STILE	CS773	1 @	H - 95.6	2,274.4 mm
DOOR - TOP RAIL	CS777	1 @	B - 282.0	968.0 mm
DOOR - BOTTOM RAIL	CS778	1 @	B - 282.0	968.0 mm
DOOR - STILE	CS779	1 @	H - 95.6	2,274.4 mm
BEAD VERTICAL - TOP	CS795	2 @	H - 1385.3	984.7 mm
BEAD HORIZONTAL	CS795	4 @	B - 282.0	968.0 mm
BEAD VERTICAL - BOTTOM	CS795	2 @	H - 1407.8	962.2 mm
DOOR - MID-RAIL	CS783	1 @	B - 282.0	968.0 mm
DOOR PIVOT INFILL	GK773	1 @	H - 95.6	2,274.4 mm
DOOR CAVITY CLOSER	GK754	1 @	H - 85.6	2,284.4 mm
DOOR CAVITY CLOSER	GK754	1 @	H - 95.6	2,274.4 mm
WOOLPILE	WP012	2 @	B - 230.6	1,019.4 mm
WOOLPILE	WP007	2 @	H - 92.5	2,277.5 mm
GLAZING GASKET EXT-TOP	GK425	1 @	(2xGLASS width) + (2xGLASS height) + 3%	
GLAZING GASKET INT-TOP	GK910	1 @	(2xGLASS width) + (2xGLASS height) + 3%	
GLAZING GASKET EXT-BOT.	GK425	1 @	(2xGLASS width) + (2xGLASS height) + 3%	
GLAZING GASKET INT-BOT.	GK910	1 @	(2xGLASS width) + (2xGLASS height) + 3%	

28 MM DOUBLE GLAZED UNIT FOR FITTING INTO SINGLE DOOR (1250 mm x 2370 mm)				
GLASS - TOP	1 @	B - 292.6	H - 1358.6	957.4 mm
GLASS - BOTTOM	1 @	B - 292.6	H - 1377.4	957.4 mm

(GLASS SIZE = SIGHT SIZE + 30 mm) (DOUBLE GLAZED UNIT (6 mm - 16 mm - 6 mm) = 28 mm)

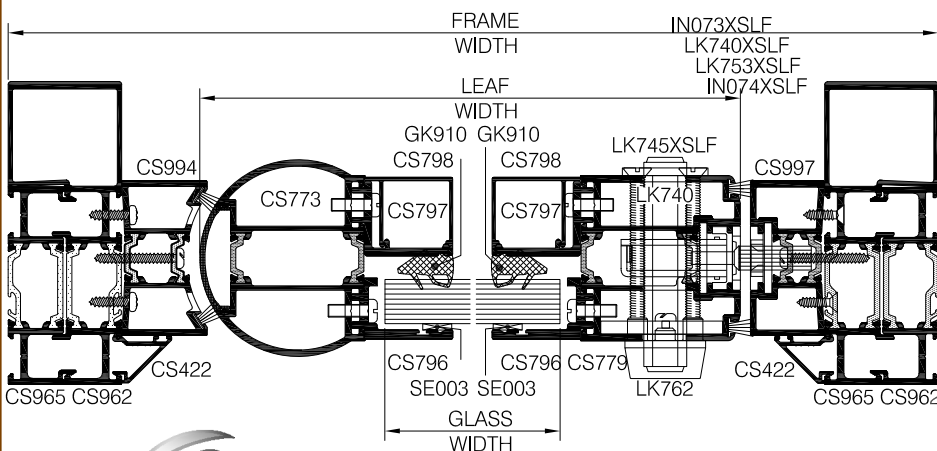
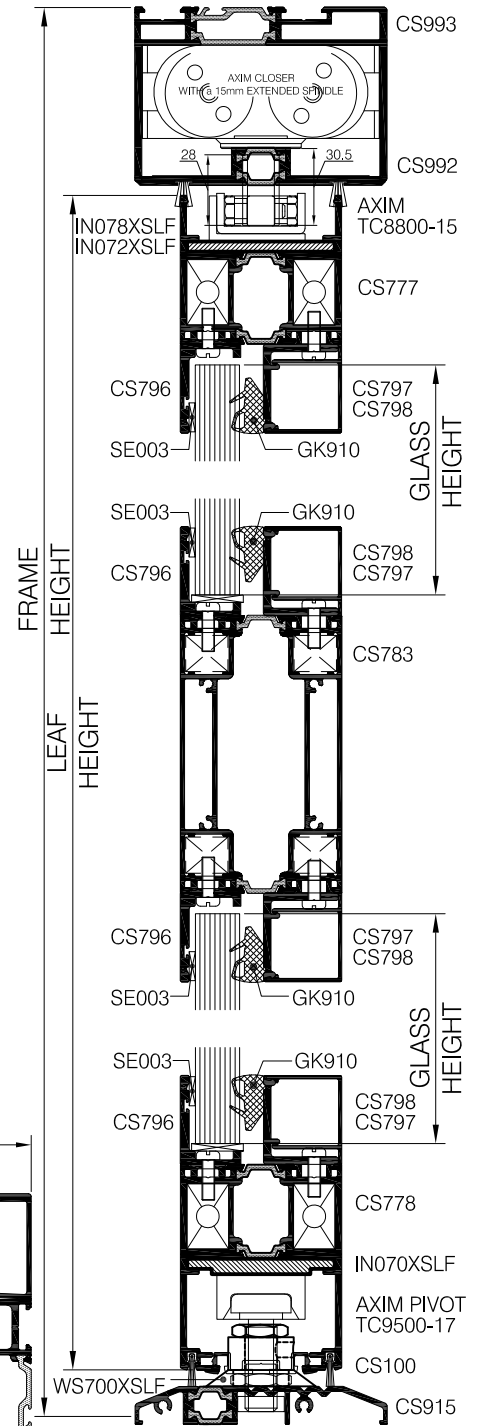
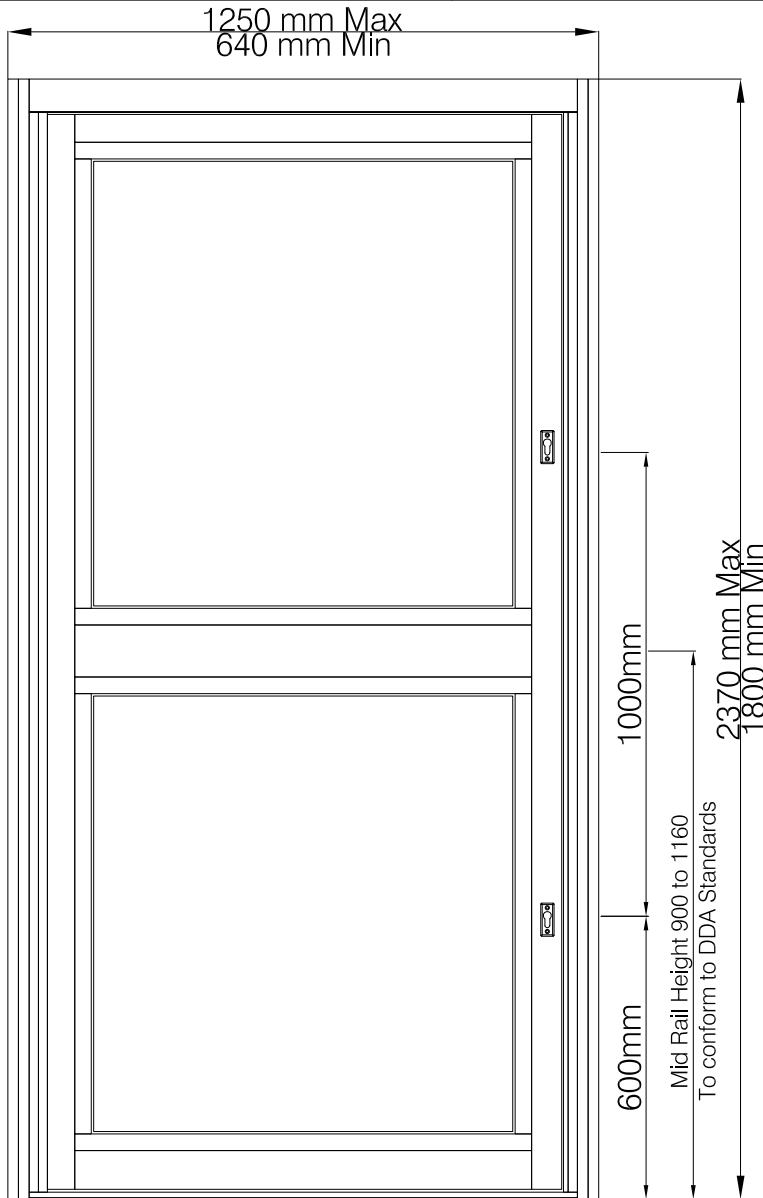
GLASS WEIGHT-TOP (6 mm + 6 mm) x 2.5) x (0.9574 mts x 1.0114 mts) = 29.50 Kg's
GLASS WEIGHT-BOTTOM (6 mm + 6 mm) x 2.5) x (0.9574 mts x 0.9926 mts) = 28.51 Kg's

ACCESSORIES AND ADDITIONAL ITEMS	
Mortice Hook Lock	LK1800-30-E - 2
AXIM Heavy Duty T/Load Bottom Pivot Assembly	TC-9500-17 - 1
N8 x 32mm Pan Head Self Tapping Screw	FX032XSLF - 36
Nylon Stud for CS030 & CS083 - Snap Fit	FX046XSLF - 6
Pop Rivet CS030 & CS083 - Snap Fit	FX047XSLF - 6
M5 x 12mm Csk Pozi Mch Screw	FX079XSLF - 4
AXIM A-Kit Jamb & Header Bar Kit - Pair	TC-8800-03 - 1
Escutcheon Set Kit - Silver	LK-062BSVR - 4
AXIM Pad Handle Set - Silver	HD090BSVR - 1
Aluminium Glue - 310ml (Specify the Colour)	SE007-008 - 1
N8 x 16mm Csk Self Tapping Screw	FX034XSLF - 90
AXIM E/Load Top Arm & Channel	TC-8800-15 - 1
Face Plate - (F = Flat Face) (R = Radiused Face)	LK1801-0R/OF - 2
Drip Profile End Cap x 2 for CS083	EC083DBLK - 1
Strike Plate - (F = Flat Face) (R = Radiused Face)	LK1800-51-F/R - 2
M5 x 16mm Pan Head Mch Screw	FX802XSLF - 14
Cleat Transom Kit	WS918XKIT - 8
Door Bottom Pivot Fixing Plate	IN070XSLF - 1
Fixing Cleats and Bolts for Top & Bottom Rails	NC700XSLF - 8
Door Lock Fixing Plate	IN073XSLF - 4
Door Cleat Back Plate	IN075XSLF - 8
Lock Cylinder 40 mm x 40 mm	LK744XSLF - 2
M4 x 70mm Csk Pozi Mch Screw	FX744XSLF - 8
M6 x 25mm Csk Pozi Mch Screw	FX726XSLF - 4
Top Arm Fixing Plate	IN072XSLF - 1
M10 Extension Studs for Pad Handle	FX082XSLF - 2
AXIM Size 2 Hold Open (15mm Ext Spindle)	TC-8802-90-15 - 1
Door Lock Keep Back Plate	IN079XSLF - 2

IMPORTANT NOTE

DUE TO MANUFACTURING AND PRODUCTION TOLERANCES OF ALUMINIUM, PAINTING, ANODISING, GLASS, PANELS, GASKETS, PROFILES SELECTED, THE NUMBER OF DOORS FITTED AND THE CONFIGURATION. CHECK YOUR GLAZING DIMENSIONS AND TRIAL THE GLASS SIZE FORMULA BEFORE PROCEEDING WITH ANY BULK ORDERS.





Copyright & ownership of this drawing is vested in COMAR Architectural Aluminium Systems, whose prior written consent is required for its use, reproduction or publication to any third party. All other rights reserved. Subject to modifications without prior notification



SCALE	1: 3 & 1: 16	@ A4
DATE	06/12/2019	
DRAWN	VM/KD/BB	
DRG. No.	C7Pi-CD-3.03 R6	

ABBREVIATIONS

(B) = OVERALL WIDTH (H) = OVERALL HEIGHT

Item	Code	Qty	Dim	Length	Profile
FRAME - DRIP SECTION	CS083	1 @	B - 154	1,096.0 mm	[Profile]
SLOPED BEAD - VERTICAL	CS422	2 @	H - 78	2,289.0 mm	[Profile]
FRAME - MULLION	CS965	2 @	H	2,370.0 mm	[Profile]
FRAME - INFILL PLATE	CS962	2 @	H	2,370.0 mm	[Profile]
FRAME - HEADER BAR	CS993	1 @	B - 90	1,160.0 mm	[Profile]
FRAME - HEADER BAR PLATE	CS992	1 @	B - 90	1,160.0 mm	[Profile]
DOOR PIVOT 70 mm CARRIER	CS994	1 @	H - 85.6	2,281.4 mm	[Profile]
DOOR STARTER	CS997	1 @	H - 85.6	2,281.4 mm	[Profile]
DOUBLE RAMP THRESHOLD	CS915	1 @	B - 90	1,160.0 mm	[Profile]
WOOLPILE	WP007	2 @	B - 90	1,160.0 mm	[Profile]
WOOLPILE	WP007	2 @	H - 85.6	2,281.4 mm	[Profile]

Item	Code	Qty	Dim	Length	Profile
DOOR CLEAT BACK PLATE	CS734	1 @	B - 90	1,118.0 mm	[Profile]
DOOR - ANTI FINGER STILE	CS773	1 @	H - 97.6	2,272.4 mm	[Profile]
DOOR - TOP RAIL	CS777	1 @	B - 282.0	968.0 mm	[Profile]
DOOR - BOTTOM RAIL	CS779	1 @	B - 282.0	968.0 mm	[Profile]
DOOR - STILE	CS779	1 @	H - 97.6	2,272.4 mm	[Profile]
BEAD - HORIZONTAL - EXT	CS796	4 @	B - 282.0	968.0 mm	[Profile]
BEAD - VERTICAL - TOP- EXT	CS796	2 @	H - 298.8	951.2 mm	[Profile]
BEAD - VERTICAL - BOT- EXT	CS796	2 @	H - 321.3	928.7 mm	[Profile]
BEAD - HORIZONTAL - INT	CS797	4 @	B - 282.0	968.0 mm	[Profile]
BEAD - VERTICAL - TOP- INT	CS797	2 @	H - 298.8	951.2 mm	[Profile]
BEAD - VERTICAL - BOT- INT	CS797	2 @	H - 321.3	928.7 mm	[Profile]
BEAD - HORIZONTAL - INT	CS798	4 @	B - 282.0	968.0 mm	[Profile]
BEAD - VERTICAL - BOT- INT	CS798	2 @	H - 298.8	951.2 mm	[Profile]
BEAD - VERTICAL - TOP- INT	CS798	2 @	H - 321.3	928.7 mm	[Profile]
DOOR - PIVOT INFILL	GK773	1 @	H - 97.6	2,272.4 mm	[Profile]
DOOR CAVITY FILLER	GK754	1 @	H - 97.6	2,272.4 mm	[Profile]
DOOR CAVITY FILLER	GK754	1 @	H - 97.6	2,272.4 mm	[Profile]
DOOR - MID-RAIL 110 mm	CS783	1 @	B - 282.0	968.0 mm	[Profile]
WOOLPILE	WP007	2 @	H - 97.6	2,272.6 mm	[Profile]
WOOLPILE	WP012	2 @	B - 230.6	1,019.4 mm	[Profile]
GLAZING Tape Exterior	SE003	4 @	B - 300.0	950.0 mm	[Profile]
GLAZING Gasket Interior	GK910	4 @	B - 280.0	970.0 mm	[Profile]
GLAZING Tape top pane	SE003	2 @	H - 1,364.0	1,006.0 mm	[Profile]
GLAZING Gasket top pane	GK910	2 @	H - 1,344.0	1,026.0 mm	[Profile]
GLAZING Tape bottom pane	SE003	2 @	H - 1,384.0	986.0 mm	[Profile]
GLAZING Gasket bottom pane	GK910	2 @	H - 1,364.0	1,006.0 mm	[Profile]

GLASS - TOP PANE	1 @	B - 299.0 (B) 951.0 mm	H - 1,364.0 (H) 1,006.0 mm
GLASS - BOTTOM	1 @	B - 299.0 (B) 951.0 mm	H - 1,383.0 (H) 987.0 mm

GLASS SIZE = SIGHT SIZE + 54 mm

GLASS WEIGHT-TOP (17.5 mm x 2.5) x (0.951 mts x 1.005 mts) = 41.8 Kgs
GLASS WEIGHT-BOTTOM (17.5 mm x 2.5) x (0.951 mts x 0.986 mts) = 41.0 Kgs

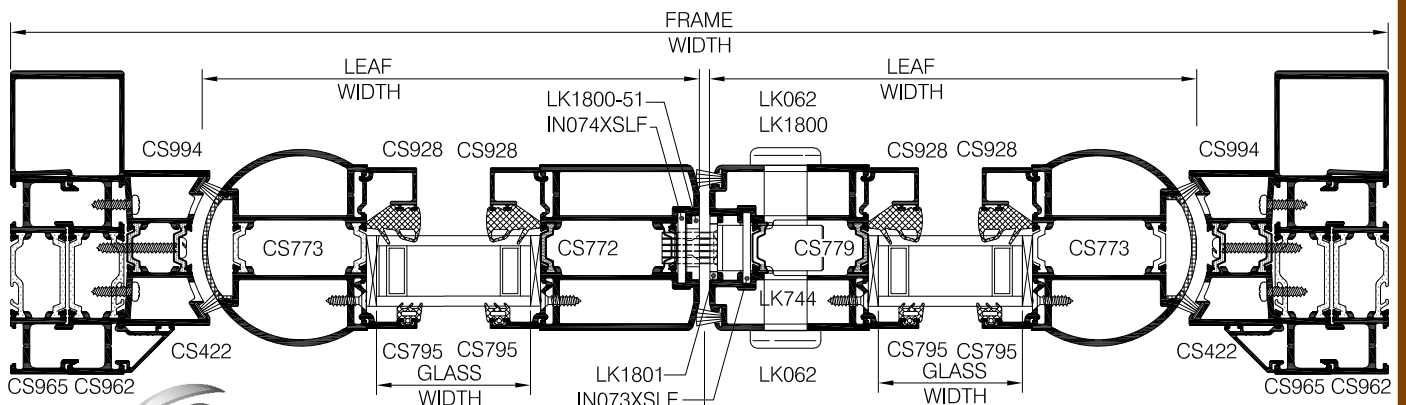
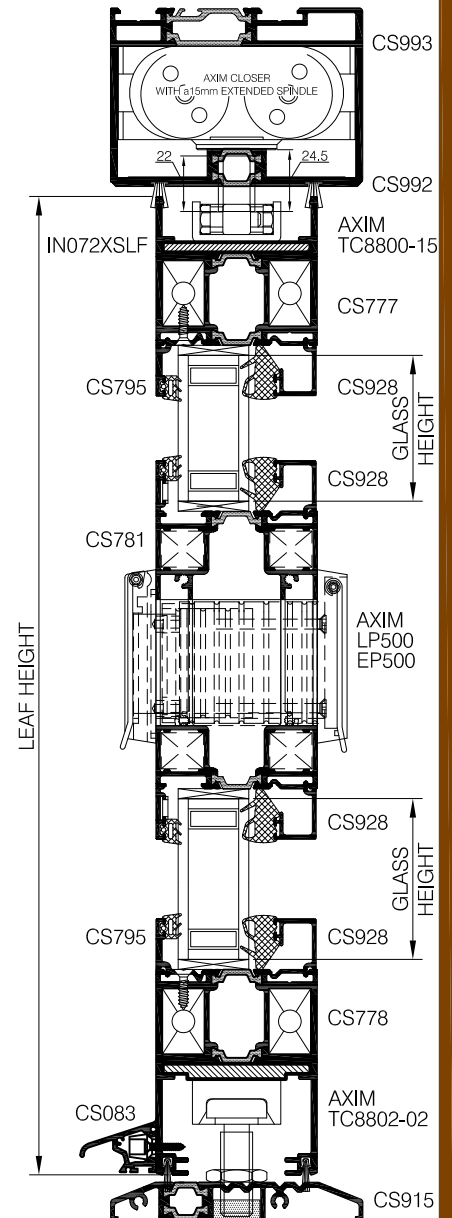
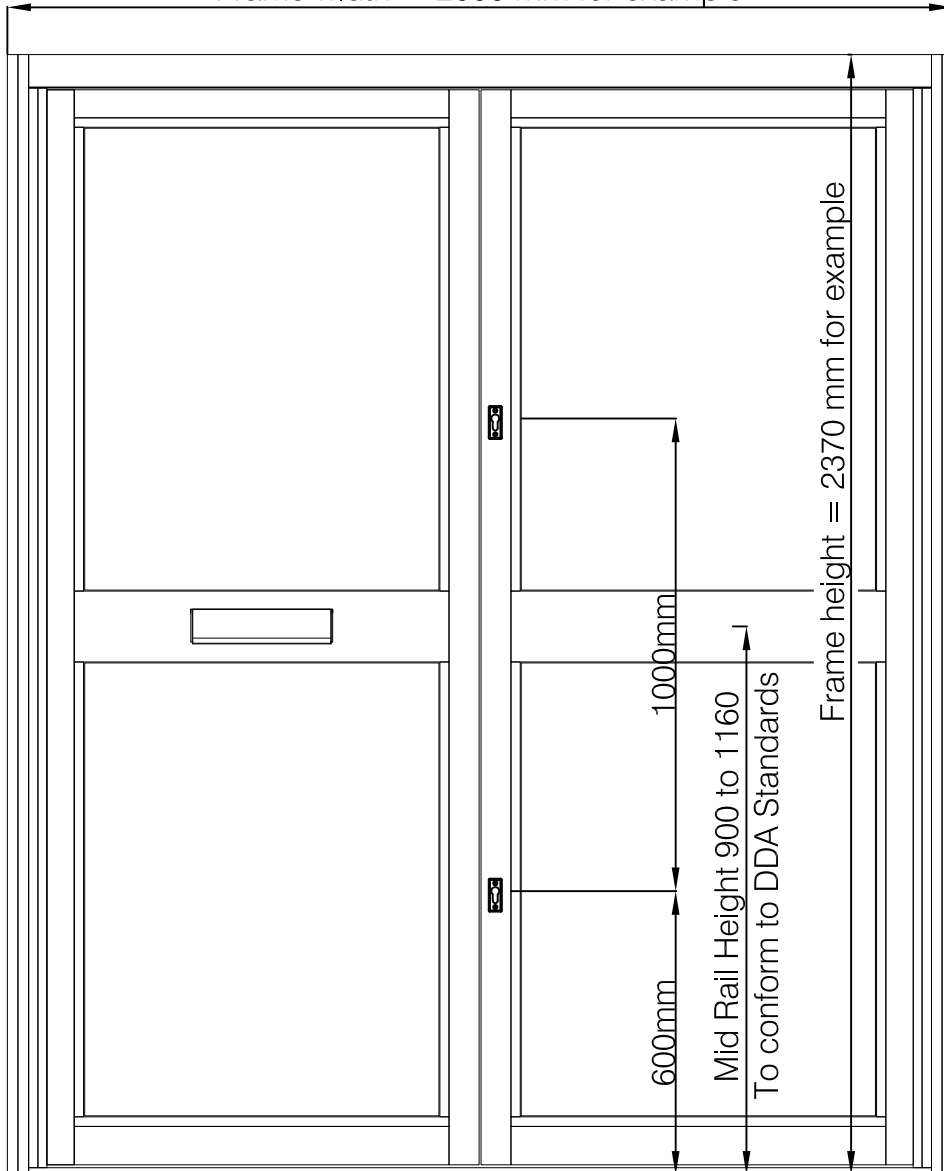
AXIM Heavy Duty T/Load Bottom Pivot Assembly	TC-9500-17	1
N8 x 32mm Pan Head Self Tapping Screw	FX032XSLF	36
Nylon Stud for CS030 & CS083 - Snap Fit	FX046XSLF	6
Pop Rivet CS030 & CS083 - Snap Fit	FX047XSLF	6
AXIM A-Kit Jamb & Header Bar Kit - Pair	TC-8800-03	1
AXIM Pad Handle Set - Silver	HD090BSVR	1
Aluminium Glue - 310ml (Specify the Colour)	SE007-008	1
N8 x 16mm Csk Self Tapping Screw	FX034XSLF	121
AXIM E/Load Top Arm, Channel & 5 mm Shim Bar	TC-8800-15	1
Drip Profile End Cap x 2 for CS083	EC083DBLK	1
M3 x 85mm Csk Pozzi Mch Screw	FX795XSLF	1
AXIM Letter Box Plate Extension Sleeve	LP-570-BK	1
M5 x 20mm Csk for Shootbolt	FX800XSLF	88
M6 x 7 mm Csk Pozzi Mch Screw	FX612XSLF	8
M5 x 16mm Pan Head Mch Screw	FX802XSLF	14
14.5 mm Cleat Transom Kit	WS918XKIT	8
M8 x 65 mm S/S Socket Head Mch Bolt	FX213XSLF	4
C7 Hardened Security Spindle	WS700XSLF	1
Door Bottom Pivot Fixing Plate	IN070XSLF	1
Fixing Cleats and Bolts for Top & Bottom Rails	NC700XSLF	8
Door Lock Keep Back Plate	IN074XSLF	1
Door Lock Fixing Plate	IN073XSLF	2
Door Cleat Back Plate	IN075XSLF	8
Sentinel 6 Lock including Face Plate	LK740BSVR	1
Escutcheon Set Kit - Silver	LK762BSVR	1
Armoured Strike Kit	LK753XSLF	1
ABS Security Lock Cylinder 40 mm x 45 mm	LK745XSLF	1
M4 x 70mm Csk Pozzi Mch Screw	FX744XSLF	8
M6 x 25mm Csk Pozzi Mch Screw	FX726XSLF	4
Top Arm Fixing Plate	IN072XSLF	1
M10 Extension Studs for Pad Handle	FX082XSLF	2
AXIM Letter Box Plate	LP-500-BK	1
Security Top Arm Angle	IN078XSLF	1
AXIM Size 2 Hold Open (15mm Ext Spindle)	TC-8802-00-15	1

IMPORTANT NOTE

DUE TO MANUFACTURING AND PRODUCTION TOLERANCES OF ALUMINIUM, PAINTING, ANODISING, GLASS, PANELS, GASKETS, PROFILES SELECTED, THE NUMBER OF DOORS FITTED AND THE CONFIGURATION, CHECK YOUR GLAZING DIMENSIONS AND TRIAL THE GLASS SIZE FORMULA BEFORE PROCEEDING WITH ANY BULK ORDERS.



Frame width = 2000 mm for example



Copyright & ownership of this drawing is vested in COMAR Architectural Aluminium Systems, whose prior written consent is required for its use, reproduction or publication to any third party. All other rights reserved. Subject to modifications without prior notification

ABBREVIATIONS

(B) = OVERALL WIDTH (H) = OVERALL HEIGHT

Item	Code	Qty	Dim	Length	Profile
FRAME - DRIP SECTION	CS083	2 @	B - 1,077.4	922.6 mm	[Profile]
SLOPED BEAD - VERTICAL	CS422	2 @	H - 81	2,289.0 mm	[Profile]
FRAME - MULLION	CS965	2 @	H	2,370.0 mm	[Profile]
FRAME - INFILL PLATE	CS962	2 @	H	2,370.0 mm	[Profile]
FRAME - HEADER BAR	CS993	1 @	B - 90	1,910.0 mm	[Profile]
FRAME - HEADER BAR PLATE	CS992	1 @	B - 90	1,910.0 mm	[Profile]
DOOR PIVOT 70mm CARRIER	CS994	1 @	H - 88.6	2,281.4 mm	[Profile]
DOUBLE RAMP THRESHOLD	CS915	1 @	B - 90	1,910.0 mm	[Profile]
WOOLPILE	WP007	2 @	B - 90	1,910.0 mm	[Profile]
WOOLPILE	WP007	2 @	H - 81.0	2,289.0 mm	[Profile]
WOOLPILE	WP012	2 @	H - 81.0	2,289.0 mm	[Profile]

Item	Code	Qty	Dim	Length	Profile
BEAD VERTICAL - TOP	CS928	4 @	H - 1,385.3	984.7 mm	[Profile]
BEAD VERTICAL - BOTTOM	CS928	4 @	H - 1,407.8	962.2 mm	[Profile]
BEAD HORIZONTAL	CS928	8 @	B/2 - 205.5	794.5 mm	[Profile]
DOOR - AFT STILE	CS773	2 @	H - 95.6	2,274.4 mm	[Profile]
DOOR - TOP RAIL	CS777	2 @	B/2 - 205.5	794.5 mm	[Profile]
DOOR - BOTTOM RAIL	CS778	2 @	B/2 - 205.5	794.5 mm	[Profile]
DOOR - STILE	CS779	1 @	H - 95.6	2,274.4 mm	[Profile]
DOOR - STILE	CS772	1 @	H - 95.6	2,274.4 mm	[Profile]
BEAD VERTICAL - TOP	CS795	4 @	H - 1,385.3	984.7 mm	[Profile]
BEAD VERTICAL - BOTTOM	CS795	4 @	H - 1,407.8	962.2 mm	[Profile]
BEAD HORIZONTAL	CS795	4 @	B/2 - 205.5	996.5 mm	[Profile]
ANTI FINGER GUARD TRIM	GK773	2 @	H - 95.6	2,274.4 mm	[Profile]
DOOR CAVITY FILLER	GK754	2 @	H - 95.6	2,274.4 mm	[Profile]
DOOR - MID-RAIL	CS783	2 @	B/2 - 205.5	794.5 mm	[Profile]

Item	Qty	Dim	Length	Length
GLASS - TOP	2 @	B/2 - 42.6	H - 1355.6	957.4 mm
GLASS - BOTTOM	2 @	B/2 - 42.6	H - 1374.4	957.4 mm

SIZES GIVEN ABOVE ARE ASSUMING THE OPENING CLEAVE IS IN THE CENTRE OF THE DOOR SET.

(GLASS SIZE = SIGHT SIZE + 30 mm) (DOUBLE GLAZED UNIT (6 mm - 16 mm - 6 mm) = 28 mm)

GLASS WEIGHT-TOP ((6 mm + 6 mm) x 2.5) x (0.9574 mts x 1.0114 mts) = 29.50 Kg's
GLASS WEIGHT-BOTTOM ((6 mm + 6 mm) x 2.5) x (0.9574 mts x 0.9926 mts) = 28.51 Kg's

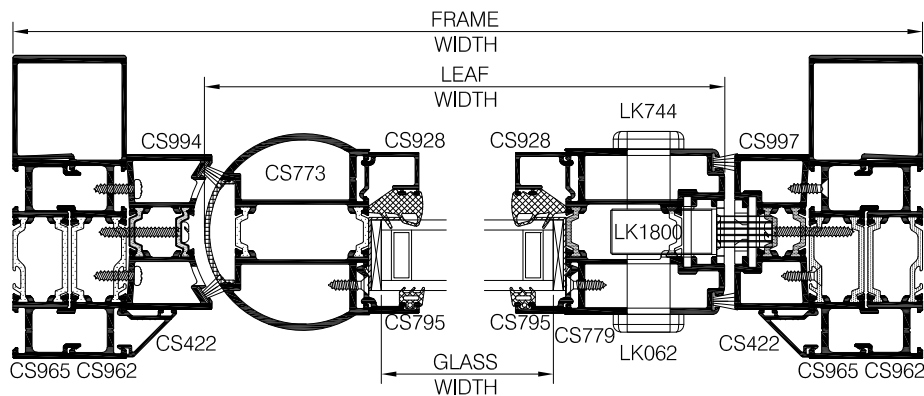
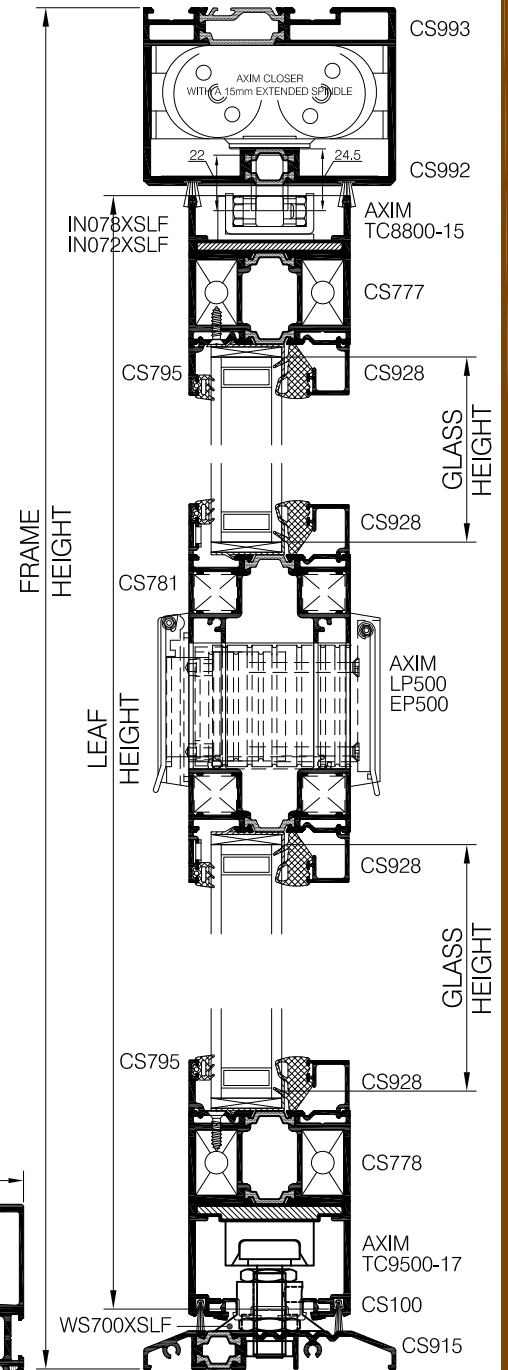
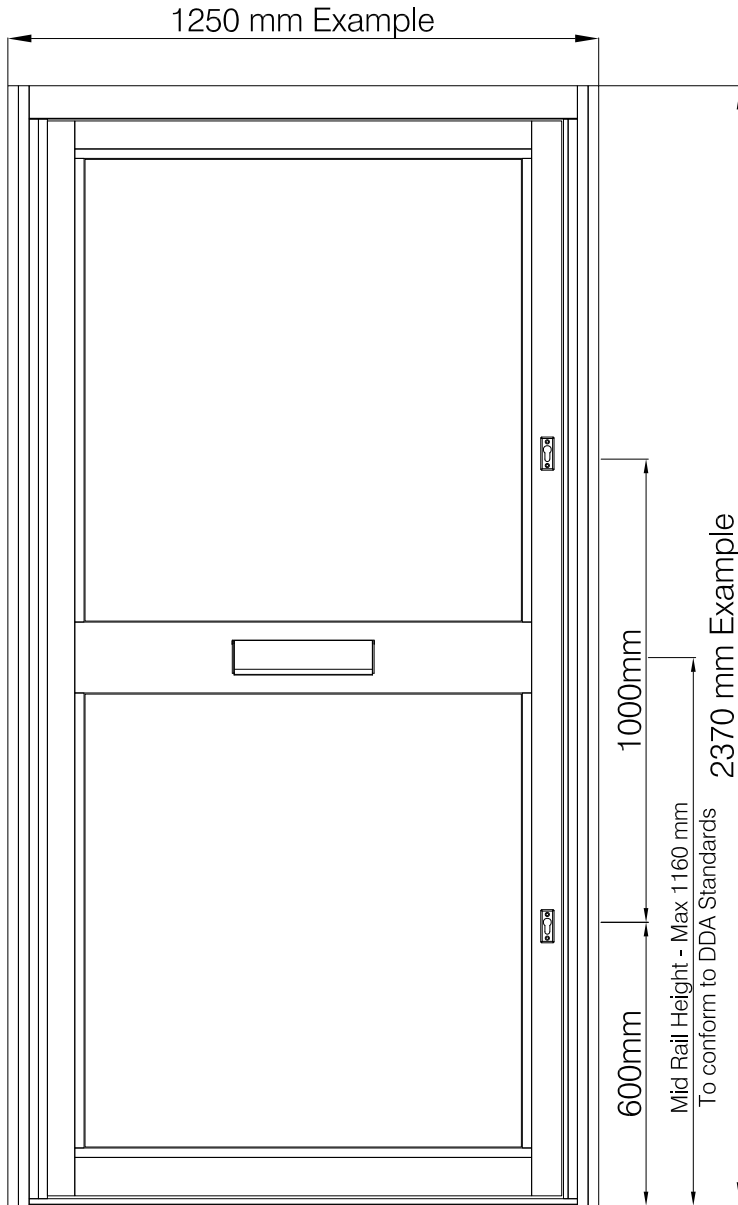
Mortice Hook Lock	LK1800-30-E	1
AXIM Heavy Duty T/Load Bottom Pivot Assembly	TC-9500-17	2
N8 x 32mm Pan Head Self Tapping Screw	FX032XSLF	36
Nylon Stud for CS030 & CS083 - Snap Fit	FX046XSLF	11
Pop Rivet CS030 & CS083 - Snap Fit	FX047XSLF	11
M5 x 12mm Csk Pozi Mch Screw	FX079XSLF	4
5 mm Glazing Gasket	GK425XSLF	14
Escutcheon Set Kit - Silver	LK-062BSVR	2
AXIM Pad Handle Set - Silver	HD090BSVR	2
Aluminium Glue - 310ml (Specify the Colour)	SE007-008	2
N8 x 16mm Csk Self Tapping Screw	FX034XSLF	64
AXIM E/Load Top Arm & Channel	TC-8800-15	2
Face Plate - (F = Flat Face) (R = Radiused Face)	LK1801-0R/OF	1
Drip Profile End Cap x 2 for CS083	EC083DBLK	2
Strike Plate - (F = Flat Face) (R = Radiused Face)	LK1800-51-F/R	1
AXIM Letter Box Plate Extension Sleeve	LP-570-BK	1
M5 x 16mm Pan Head Mch Screw	FX802XSLF	24
M5 x 25mm Pan Head Mch Screw	FX090XSLF	4
11 mm Wedge Gasket (Green)	GK910XSLF	14
Cleat Transom Kit	WS918XKIT	16
Door Bottom Pivot Fixing Plate	IN070XSLF	2
Fixing Cleats and Bolts for Top & Bottom Rails	NC700XSLF	16
Door Lock Fixing Plate	IN073XSLF	2
Door Cleat Back Plate	IN075XSLF	16
Lock Cylinder 40 mm x 40 mm	LK744XSLF	1
M4 x 70mm Csk Pozi Mch Screw	FX744XSLF	8
M6 x 25mm Csk Pozi Mch Screw	FX726XSLF	4
Top Arm Fixing Plate	IN072XSLF	2
Flush Bolt	FB6501-F18	2
Flush Bolt Guide Block	FB62-041	2
M10 Extension Studs for Pad Handle	FX082XSLF	4
Flush Bolt Fixing Plate	IN077XSLF	4
AXIM Letter Box Plate	LP-500-BK	1
N8 x 13 mm Self Tap Screw	FX091XSLF	4
AXIM Size 2 Hold Open (15mm Ext Spindle)	TC-8802-00-15	2
Door Lock Keep Back Plate	IN079XSLF	1

IMPORTANT NOTE

DUE TO MANUFACTURING AND PRODUCTION TOLERANCES OF ALUMINIUM, PAINTING, ANODISING, GLASS, PANELS, GASKETS, PROFILES SELECTED, THE NUMBER OF DOORS FITTED AND THE CONFIGURATION, CHECK YOUR GLAZING DIMENSIONS AND TRIAL THE GLASS SIZE FORMULA BEFORE PROCEEDING WITH ANY BULK ORDERS.

* This is for a mitred cut drip. For a square cut drip use B - 344/2 for each drip cut length





Copyright & ownership of this drawing is vested in COMAR Architectural Aluminium Systems, whose prior written consent is required for its use, reproduction or publication to any third party. All other rights reserved. Subject to modifications without prior notification

ABBREVIATIONS

(B) = OVERALL WIDTH (H) = OVERALL HEIGHT

Item	Code	Qty	Dim	Length	Profile
FRAME - DRIP SECTION	CS083	1 @	B - 154	1,096.0 mm	[Profile]
FLAT PLATE - 100 mm x 3 mm	CS143	1 @	B - 90	1,160.0 mm	[Profile]
BEAD - VERTICAL	CS422	2 @	H - 78	2,289.0 mm	[Profile]
FRAME - MULLION	CS965	2 @	H	2,370.0 mm	[Profile]
FRAME - INFILL PLATE	CS962	2 @	H	2,370.0 mm	[Profile]
FRAME - HEADER BAR	CS993	1 @	B - 90	1,160.0 mm	[Profile]
FRAME - HEADER BAR PLATE	CS992	1 @	B - 90	1,160.0 mm	[Profile]
DOUBLE RAMP THRESHOLD	CS915	1 @	B - 90	1,160.0 mm	[Profile]
DOOR FINGER GUARD	CS994	1 @	H - 88.6	2,281.4 mm	[Profile]
MULLION ADAPTOR	CS997	1 @	H - 88.6	2,281.4 mm	[Profile]
WOOLPILE	WP007	2 @	B - 90	1,160.0 mm	[Profile]
WOOLPILE	WP007	2 @	H - 88.6	2,281.4 mm	[Profile]

Item	Code	Qty	Dim	Length	Profile
BEAD HORIZONTAL	CS928	4 @	B - 282.0	968.0 mm	[Profile]
BEAD VERTICAL - TOP	CS928	2 @	H - 279.0	2,091.0 mm	[Profile]
BEAD VERTICAL - BOTTOM	CS928	2 @	H - 289.8	2,080.2 mm	[Profile]
DOOR - AFT STILE	CS773	1 @	H - 97.6	2,272.4 mm	[Profile]
DOOR - TOP RAIL	CS777	1 @	B - 282.0	968.0 mm	[Profile]
DOOR - BOTTOM RAIL	CS778	1 @	B - 282.0	968.0 mm	[Profile]
DOOR - STILE	CS779	1 @	H - 97.6	2,272.4 mm	[Profile]
BEAD VERTICAL - TOP	CS795	2 @	H - 1387.3	982.7 mm	[Profile]
BEAD HORIZONTAL	CS795	4 @	B - 282.0	968.0 mm	[Profile]
BEAD VERTICAL - BOTTOM	CS795	2 @	H - 1409.8	960.2 mm	[Profile]
DOOR - MID-RAIL	CS783	1 @	B - 282.0	968.0 mm	[Profile]
DOOR PIVOT INFILL	GK773	1 @	H - 97.6	2,272.4 mm	[Profile]
DOOR CAVITY CLOSER	GK754	1 @	H - 87.6	2,282.4 mm	[Profile]
DOOR CAVITY CLOSER	GK754	1 @	H - 97.6	2,272.4 mm	[Profile]
WOOLPILE	WP012	2 @	B - 230.6	1,019.4 mm	[Profile]
WOOLPILE	WP007	2 @	H - 94.5	2,275.5 mm	[Profile]
GLAZING GASKET EXT-TOP	GK425	1 @	(2xGLASS width) + (2xGLASS height) + 3%		[Profile]
GLAZING GASKET INT-TOP	GK910	1 @	(2xGLASS width) + (2xGLASS height) + 3%		[Profile]
GLAZING GASKET EXT-BOT.	GK425	1 @	(2xGLASS width) + (2xGLASS height) + 3%		[Profile]
GLAZING GASKET INT-BOT.	GK910	1 @	(2xGLASS width) + (2xGLASS height) + 3%		[Profile]

Item	Code	Qty	Dim	Length	Length
GLASS - TOP		1 @	B - 292.6	H - 1357.6	957.4 mm / 1012.4 mm
GLASS - BOTTOM		1 @	B - 292.6	H - 1376.4	957.4 mm / 993.6 mm

(GLASS SIZE = SIGHT SIZE + 30 mm) (DOUBLE GLAZED UNIT (6 mm - 16 mm - 6 mm) = 28 mm)

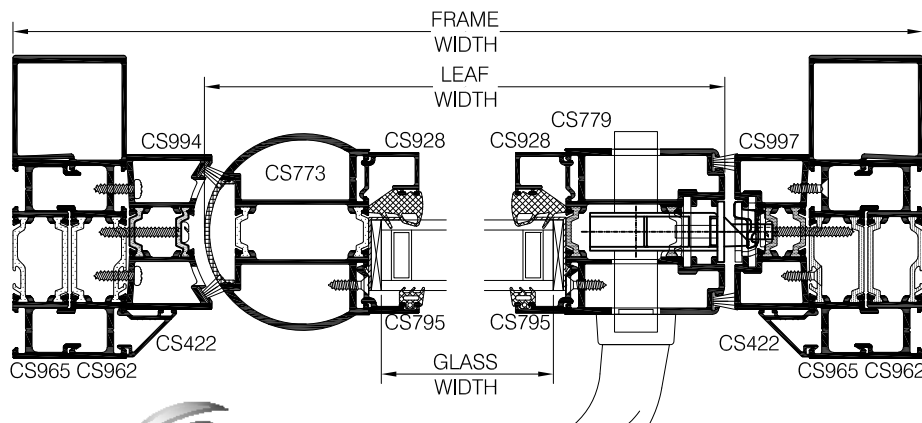
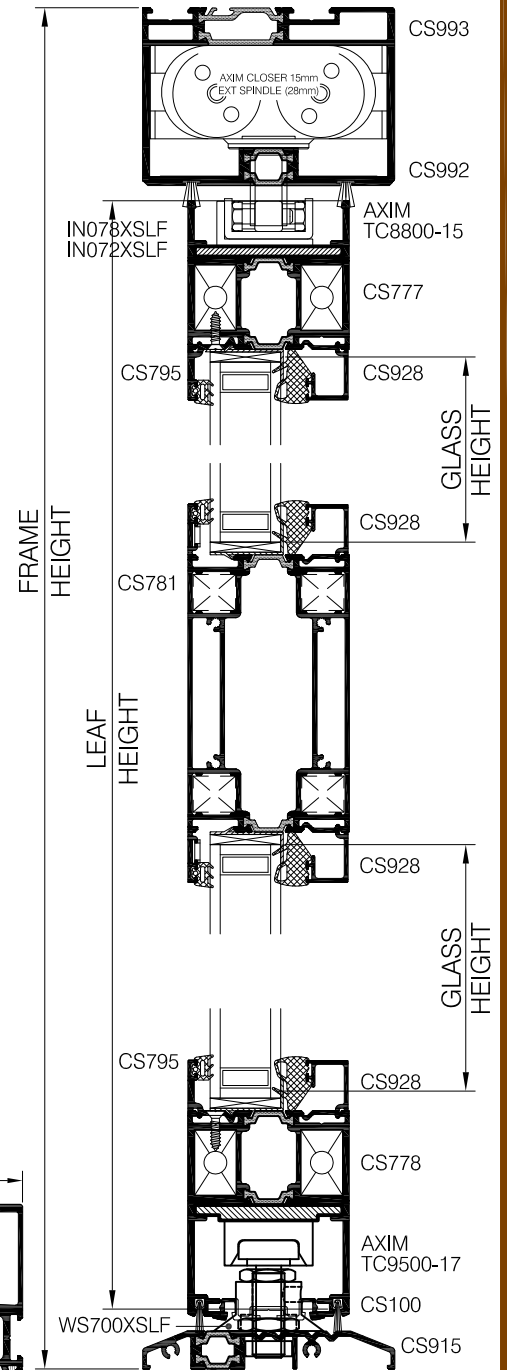
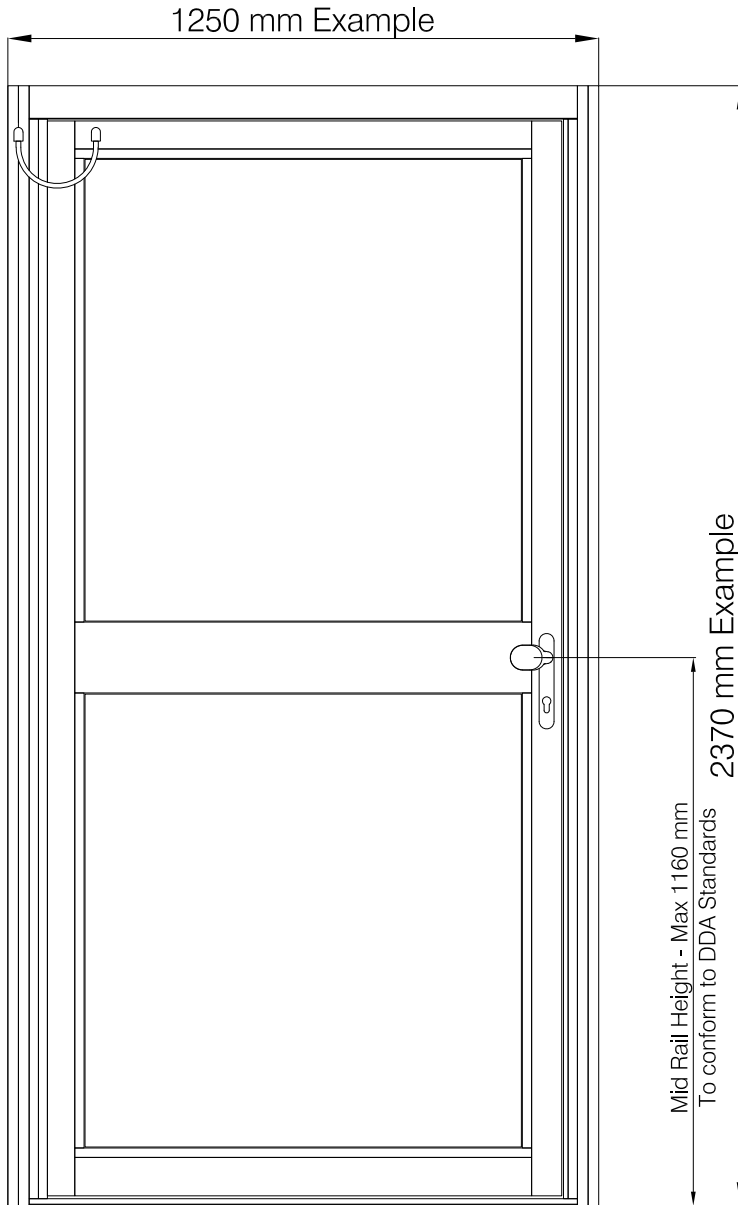
GLASS WEIGHT-TOP (6 mm + 6 mm) x 2.5) x (0.9574 mts x 1.0114 mts) = 29.50 Kg's
GLASS WEIGHT-BOTTOM (6 mm + 6 mm) x 2.5) x (0.9574 mts x 0.9926 mts) = 28.51 Kg's

Mortice Hook Lock	LK1800-30	2
AXIM Heavy Duty T/Load Bottom Pivot Assembly	TC-9500-17	1
N8 x 32mm Pan Head Self Tapping Screw	FX032XSFL	36
Nylon Stud for CS030 & CS083 - Snap Fit	FX046XSFL	6
Pop Rivet CS030 & CS083 - Snap Fit	FX047XSFL	6
M5 x 12mm Csk Pozi Mch Screw	FX079XSFL	4
AXIM A-Kit Jamb & Header Bar Kit - Pair	TC-8800-03	1
Escutcheon Set Kit - Silver	LK-062BSVR	4
AXIM Pad Handle Set - Silver	HD090BSVR	1
Aluminium Glue - 310ml (Specify the Colour)	SE007-008	1
N8 x 16mm Csk Self Tapping Screw	FX034XSFL	90
AXIM E/Load Top Arm & Channel	TC-8800-15	1
Face Plate - (F = Flat Face) (R = Radiused Face)	LK1801-0R/OF	2
Drip Profile End Cap x 2 for CS083	EC083DBLK	1
Strike Plate - (F = Flat Face) (R = Radiused Face)	LK1800-51-F/R	2
M5 x 16mm Pan Head Mch Screw	FX802XSFL	14
Cleat Transom Kit	WS918XKIT	8
Door Bottom Pivot Fixing Plate	IN070XSFL	1
Fixing Cleats and Bolts for Top & Bottom Rails	NC700XSFL	8
Door Lock Fixing Plate	IN073XSFL	4
Door Cleat Back Plate	IN075XSFL	8
ABS Security Lock Cylinder 40 mm x 45 mm	LK745XSFL	1
M4 x 70mm Csk Pozi Mch Screw	FX744XSFL	8
M6 x 25mm Csk Pozi Mch Screw	FX726XSFL	4
Top Arm Fixing Plate	IN072XSFL	1
M10 Extension Studs for Pad Handle	FX082XSFL	2
AXIM Size 2 Hold Open (15mm Ext Spindle)	TC-8802-90-15	1
Door Lock Keep Back Plate	IN079XSFL	2
Security Clips	WS902XSFL	16

IMPORTANT NOTE

DUE TO MANUFACTURING AND PRODUCTION TOLERANCES OF ALUMINIUM, PAINTING, ANODISING, GLASS, PANELS, GASKETS, PROFILES SELECTED, THE NUMBER OF DOORS FITTED AND THE CONFIGURATION. CHECK YOUR GLAZING DIMENSIONS AND TRIAL THE GLASS SIZE FORMULA BEFORE PROCEEDING WITH ANY BULK ORDERS.

Copyright & ownership of this drawing is vested in COMAR Architectural Aluminium Systems, whose prior written consent is required for its use, reproduction or publication to any third party. All other rights reserved. Subject to modifications without prior notification



Copyright & ownership of this drawing is vested in COMAR Architectural Aluminium Systems, whose prior written consent is required for its use, reproduction or publication to any third party. All other rights reserved. Subject to modifications without prior notification

ABBREVIATIONS

(B) = OVERALL WIDTH (H) = OVERALL HEIGHT

Example Cutting List for Standard Swing Door Outer Frame 1250 mm (B) x 2370 mm (H)				
FRAME - DRIP SECTION	CS083	1 @	B - 154	1,096.0 mm
FLAT PLATE - 100 mm x 3 mm	CS143	1 @	B - 90	1,160.0 mm
BEAD - VERTICAL	CS422	2 @	H - 78	2,289.0 mm
FRAME - MULLION	CS965	2 @	H	2,370.0 mm
FRAME - INFILL PLATE	CS962	2 @	H	2,370.0 mm
FRAME - HEADER BAR	CS993	1 @	B - 90	1,160.0 mm
FRAME - HEADER BAR PLATE	CS992	1 @	B - 90	1,160.0 mm
DOUBLE RAMP THRESHOLD	CS915	1 @	B - 90	1,160.0 mm
DOOR FINGER GUARD	CS994	1 @	H - 88.6	2,281.4 mm
MULLION ADAPTOR	CS997	1 @	H - 88.6	2,281.4 mm
WOOLPILE	WP007	2 @	B - 90	1,160.0 mm
WOOLPILE	WP007	2 @	H - 88.6	2,281.4 mm

Example Cutting List for Standard Swing Door Leaf with Mid-Rail set at 1160 mm exactly				
BEAD HORIZONTAL	CS928	4 @	B - 268.3	981.7 mm
BEAD VERTICAL - TOP	CS928	2 @	H - 279.0	2,091.0 mm
BEAD VERTICAL - BOTTOM	CS928	2 @	H - 289.8	2,080.2 mm
DOOR - AFT STILE	CS773	1 @	H - 97.6	2,272.4 mm
DOOR - TOP RAIL	CS777	1 @	B - 282.6	968.0 mm
DOOR - BOTTOM RAIL	CS778	1 @	B - 282.6	968.0 mm
DOOR - STILE	CS779	1 @	H - 97.6	2,272.4 mm
BEAD VERTICAL - TOP	CS795	2 @	H - 1387.3	982.7 mm
BEAD HORIZONTAL	CS795	4 @	B - 282.0	968.0 mm
BEAD VERTICAL - BOTTOM	CS795	2 @	H - 1409.8	960.2 mm
DOOR - MID-RAIL	CS783	1 @	B - 282.6	968.0 mm
DOOR PIVOT INFILL	GK773	1 @	H - 97.6	2,272.4 mm
DOOR CAVITY CLOSER	GK754	1 @	H - 87.6	2,282.4 mm
DOOR CAVITY CLOSER	GK754	1 @	H - 97.6	2,272.4 mm
WOOLPILE	WP012	2 @	B - 230.6	1,019.4 mm
WOOLPILE	WP007	2 @	H - 94.5	2,275.5 mm
GLAZING GASKET EXT-TOP	GK425	1 @	(2xGLASS width) + (2xGLASS height) + 3%	
GLAZING GASKET INT-TOP	GK910	1 @	(2xGLASS width) + (2xGLASS height) + 3%	
GLAZING GASKET EXT-BOT.	GK425	1 @	(2xGLASS width) + (2xGLASS height) + 3%	
GLAZING GASKET INT-BOT.	GK910	1 @	(2xGLASS width) + (2xGLASS height) + 3%	

28 MM DOUBLE GLAZED UNIT FOR FITTING INTO SINGLE DOOR (1250 mm x 2370 mm)				
GLASS - TOP	1 @	B - 292.6	H - 1357.6	957.4 mm
GLASS - BOTTOM	1 @	B - 292.6	H - 1376.4	957.4 mm

(GLASS SIZE = SIGHT SIZE + 30 mm) (DOUBLE GLAZED UNIT (6 mm - 16 mm - 6 mm) = 28 mm)

GLASS WEIGHT-TOP (6 mm + 6 mm) x 2.5) x (0.9574 mts x 1.0114 mts) = 29.50 Kg's
GLASS WEIGHT-BOTTOM (6 mm + 6 mm) x 2.5) x (0.9574 mts x 0.9926 mts) = 28.51 Kg's

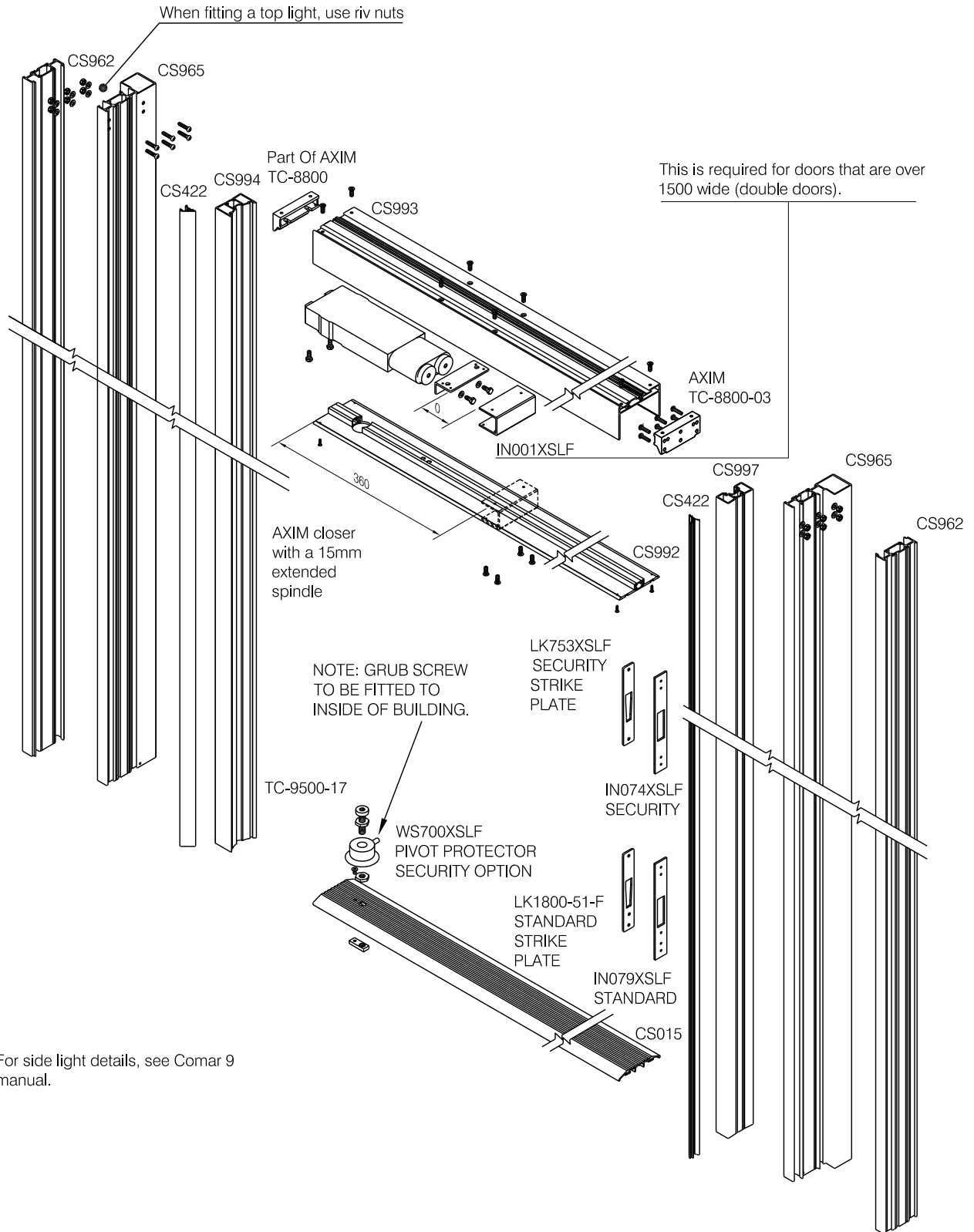
ACCESSORIES AND ADDITIONAL ITEMS		
AXIM Heavy Duty T/Load Bottom Pivot Assembly	TC-9500-17	1
N8 x 32mm Pan Head Self Tapping Screw	FX032XSFL	36
Nylon Stud for CS030 & CS083 - Snap Fit	FX046XSFL	6
Pop Rivet CS030 & CS083 - Snap Fit	FX047XSFL	6
M5 x 12mm Csk Pozzi Mch Screw	FX079XSFL	4
AXIM A-Kit Jamb & Header Bar Kit - Pair	TC-8800-03	1
Aluminium Glue - 310ml (Specify the Colour)	SE007-008	1
N8 x 16mm Csk Self Tapping Screw	FX034XSFL	90
AXIM E/Load Top Arm & Channel	TC-8800-15	1
Drip Profile End Cap x 2 for CS083	EC083DBLK	1
M5 x 16mm Pan Head Mch Screw	FX802XSFL	14
Cleat Transom Kit	WS918XKIT	8
Door Bottom Pivot Fixing Plate	IN070XSFL	1
Fixing Cleats and Bolts for Top & Bottom Rails	NC700XSFL	8
Door Lock Fixing Plate	IN073XSFL	4
Door Cleat Back Plate	IN075XSFL	8
M4 x 70mm Csk Pozzi Mch Screw	FX744XSFL	8
M6 x 25mm Csk Pozzi Mch Screw	FX726XSFL	4
Top Arm Fixing Plate	IN072XSFL	1
AXIM Size 2 Hold Open (15mm Ext Spindle)	TC-8802-90-15	1
2170mm-2400mm High Electronic Lock	LK769XSFL	1
Access Handle	LK779XSFL	1
Centre Keep (RH)	LK749XSFL	1
Lock Fixing Plate	IN073XSFL	2
Magnet	LK776XSFL	2
Flat keep	LK751XSFL	2
Cable 6 Core 10m (standard)	LK781XSFL	2
Cable Duct Sheath	LK783XSFL	2
Cable Protection Grommets	LK785XSFL	2
Security Cylinder	LK763XSFL	2
Security Top Arm Angle	IN078XSFL	1
Security Clips	WS902XSFL	16

IMPORTANT NOTE

DUE TO MANUFACTURING AND PRODUCTION TOLERANCES OF ALUMINIUM, PAINTING, ANODISING, GLASS, PANELS, GASKETS, PROFILES SELECTED, THE NUMBER OF DOORS FITTED AND THE CONFIGURATION. CHECK YOUR GLAZING DIMENSIONS AND TRIAL THE GLASS SIZE FORMULA BEFORE PROCEEDING WITH ANY BULK ORDERS.

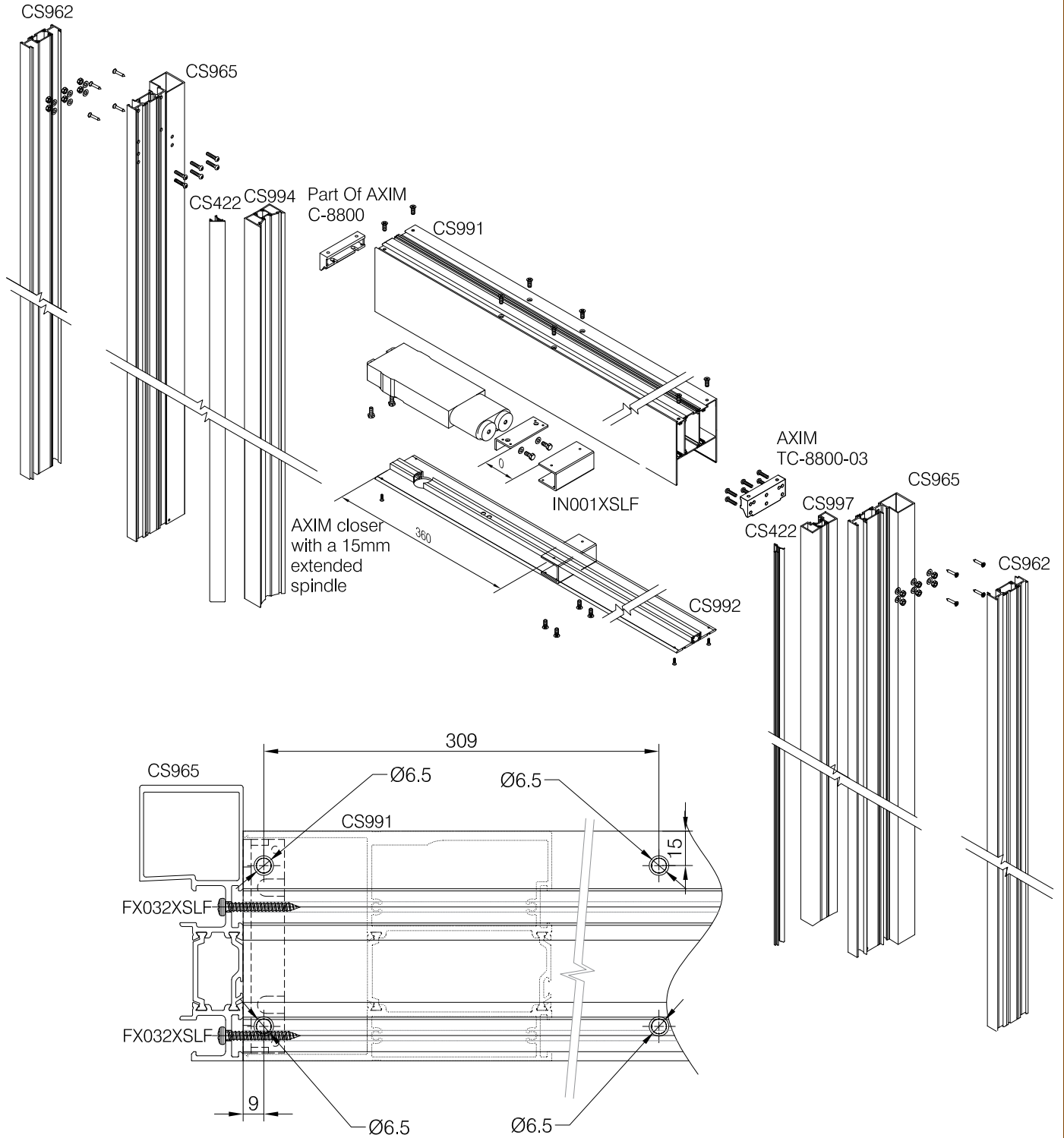


SCALE	NTS	@ A4
DATE	20/08/2019	
DRAWN	NRA/NS/BB	
DRG. No.	C7Pi-CD-3.08.02 R2	



For side light details, see Comar 9 manual.

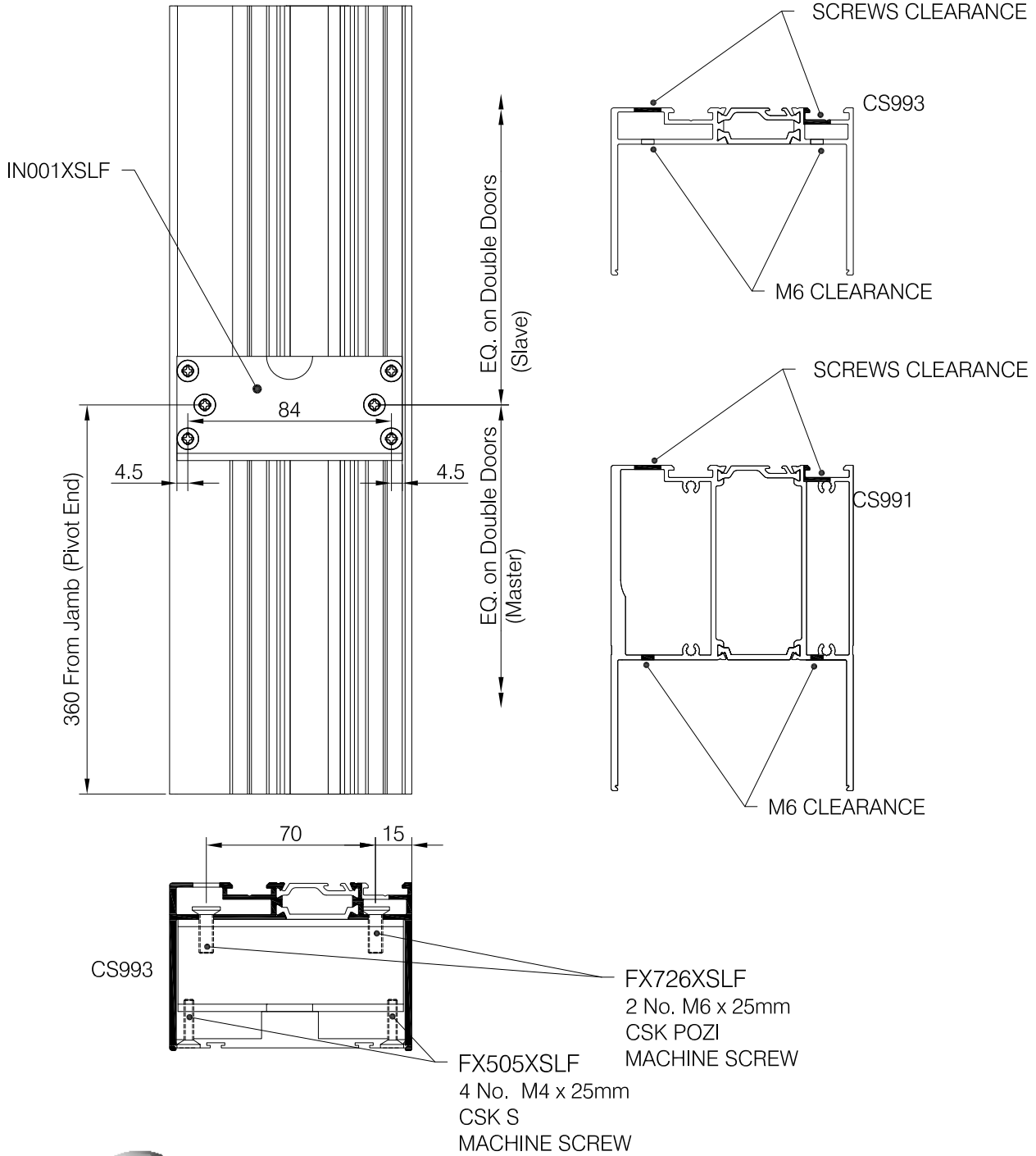
Copyright & ownership of this drawing is vested in COMAR Architectural Aluminium Systems, whose prior written consent is required for its use, reproduction or publication to any third party. All other rights reserved. Subject to modifications without prior notification



Copyright & ownership of this drawing is vested in COMAR Architectural Aluminium Systems, whose prior written consent is required for its use, reproduction or publication to any third party. All other rights reserved. Subject to modifications without prior notification

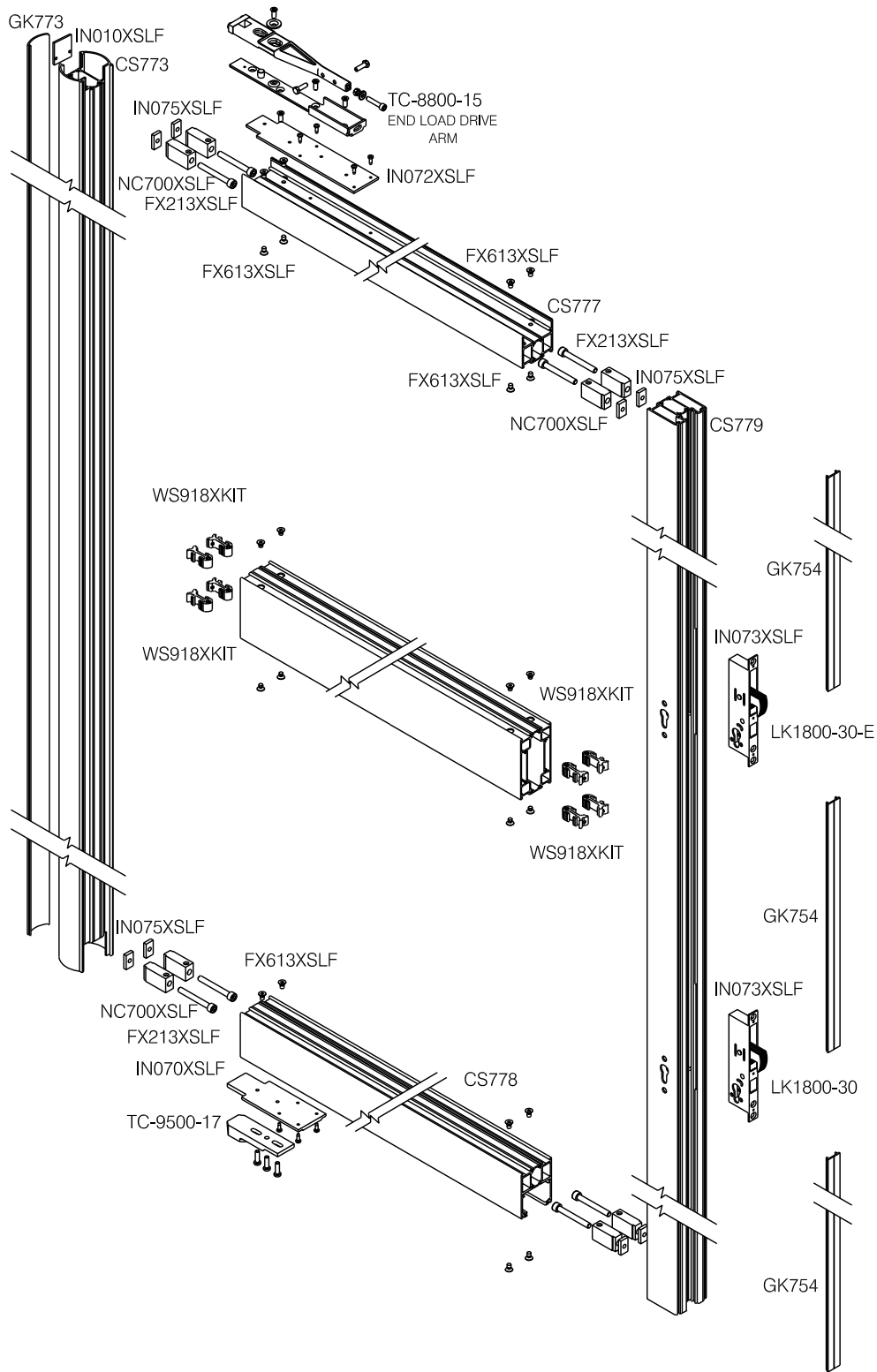


SCALE	NTS	@ A4
DATE	25/04/17	
DRAWN	NS / KD	
DRG. No.	C7Pi-CD-3.09.1 R1	



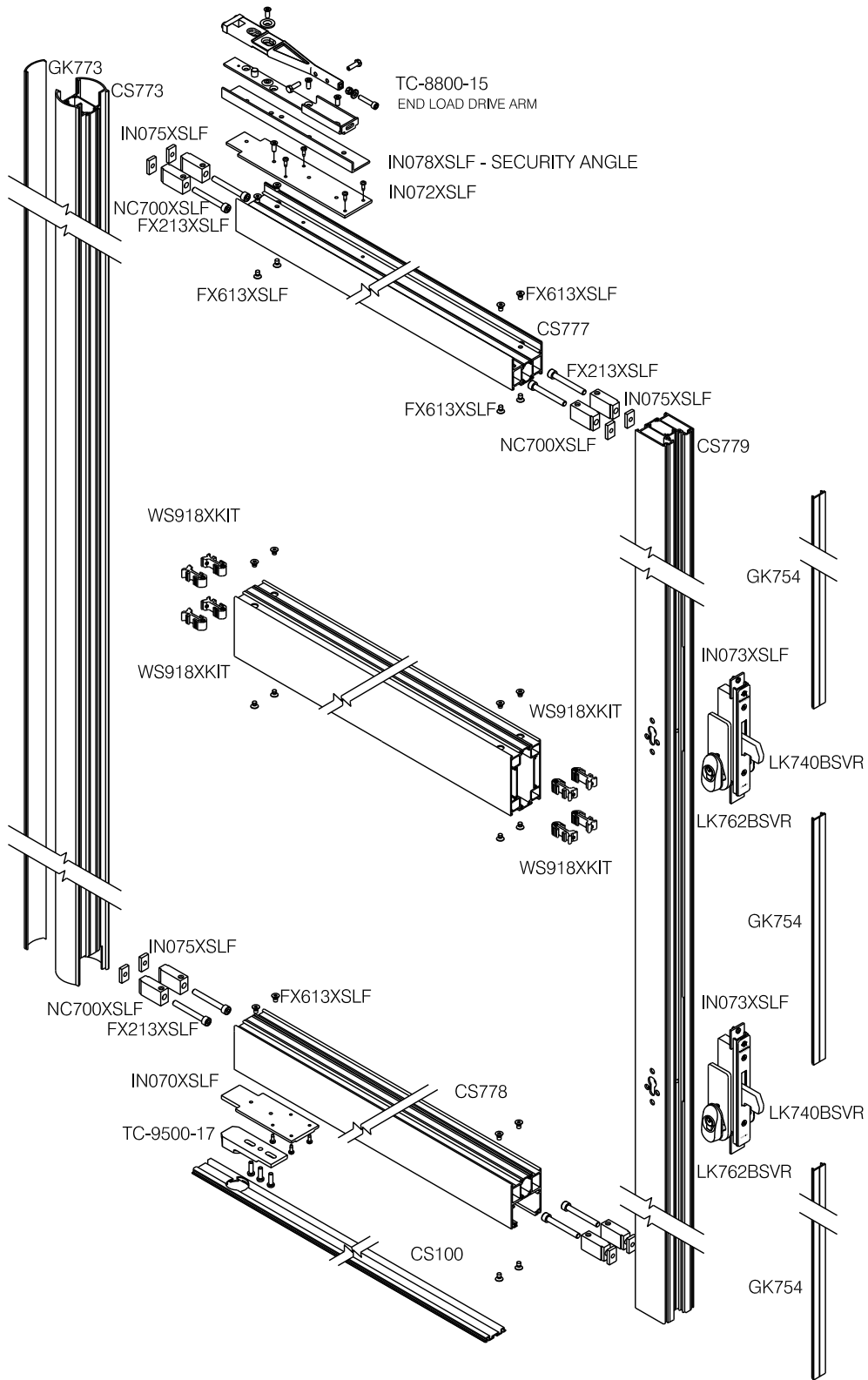
Copyright & ownership of this drawing is vested in COMAR Architectural Aluminium Systems, whose prior written consent is required for its use, reproduction or publication to any third party. All other rights reserved. Subject to modifications without prior notification

SCALE	NTS	@ A4
DATE	16/03/17	
DRAWN	AMR/NS	
DRG. No.	C7Pi-CD-3.09.2 R1	



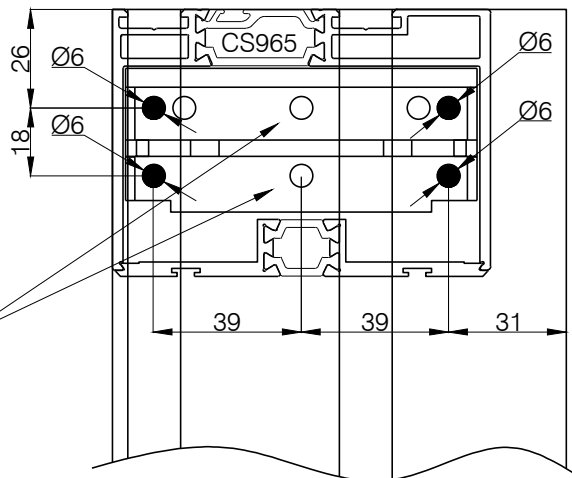
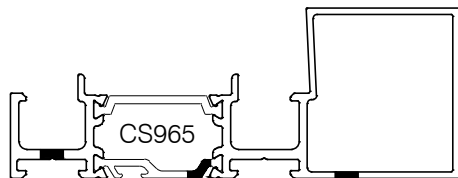
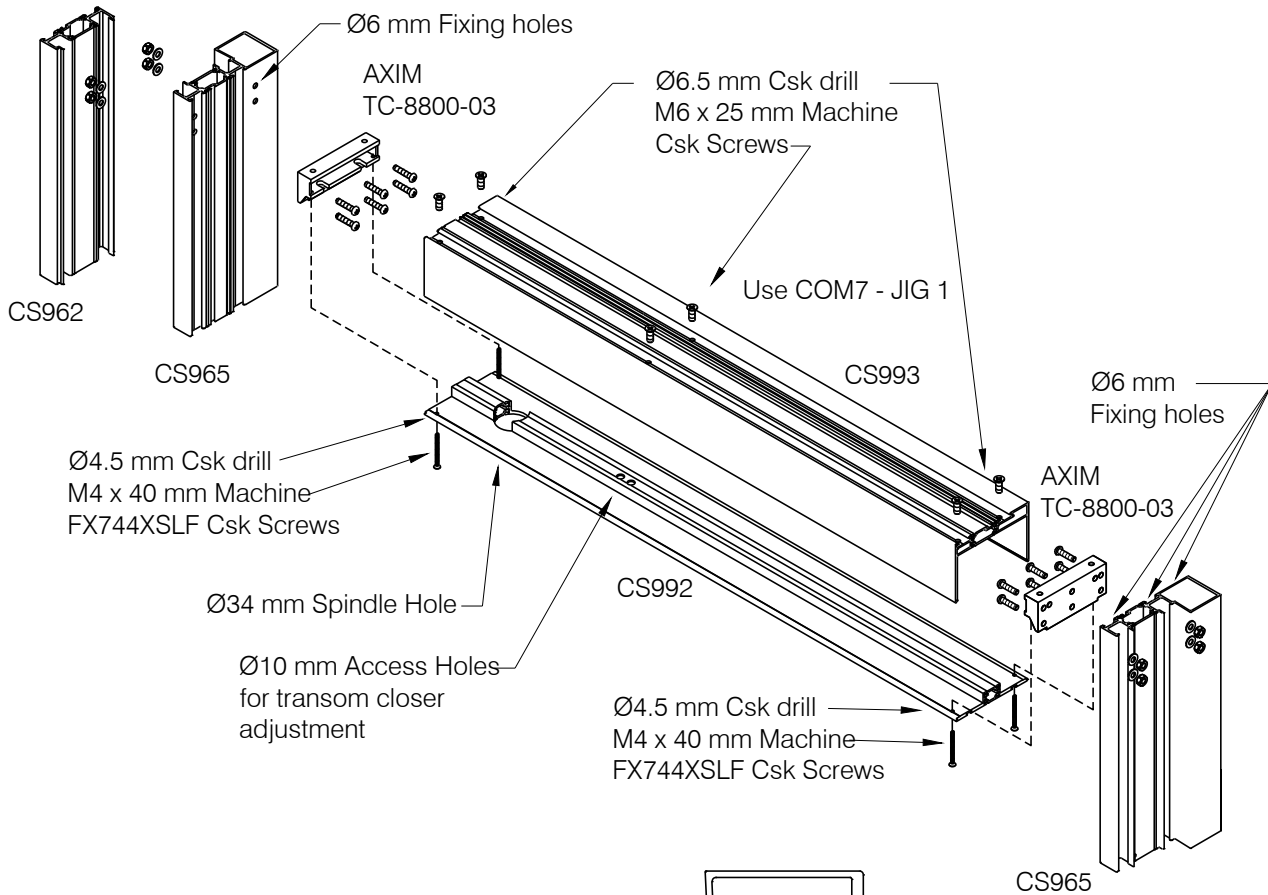
Copyright & ownership of this drawing is vested in COMAR Architectural Aluminium Systems, whose prior written consent is required for its use, reproduction or publication to any third party. All other rights reserved. Subject to modifications without prior notification.

SCALE	NTS	© A4
DATE	18/07/19	
DRAWN	KD/BB	
DRG. No.	C7Pi-CD-3.10 R4	



Copyright & ownership of this drawing is vested in COMAR Architectural Aluminium Systems, whose prior written consent is required for its use, reproduction or publication to any third party. All other rights reserved. Subject to modifications without prior notification

SCALE	1:1	© A4
DATE	25/09/14	
DRAWN	VM/KP	
DRG. No.	C7Pi-CD-3.11	R1



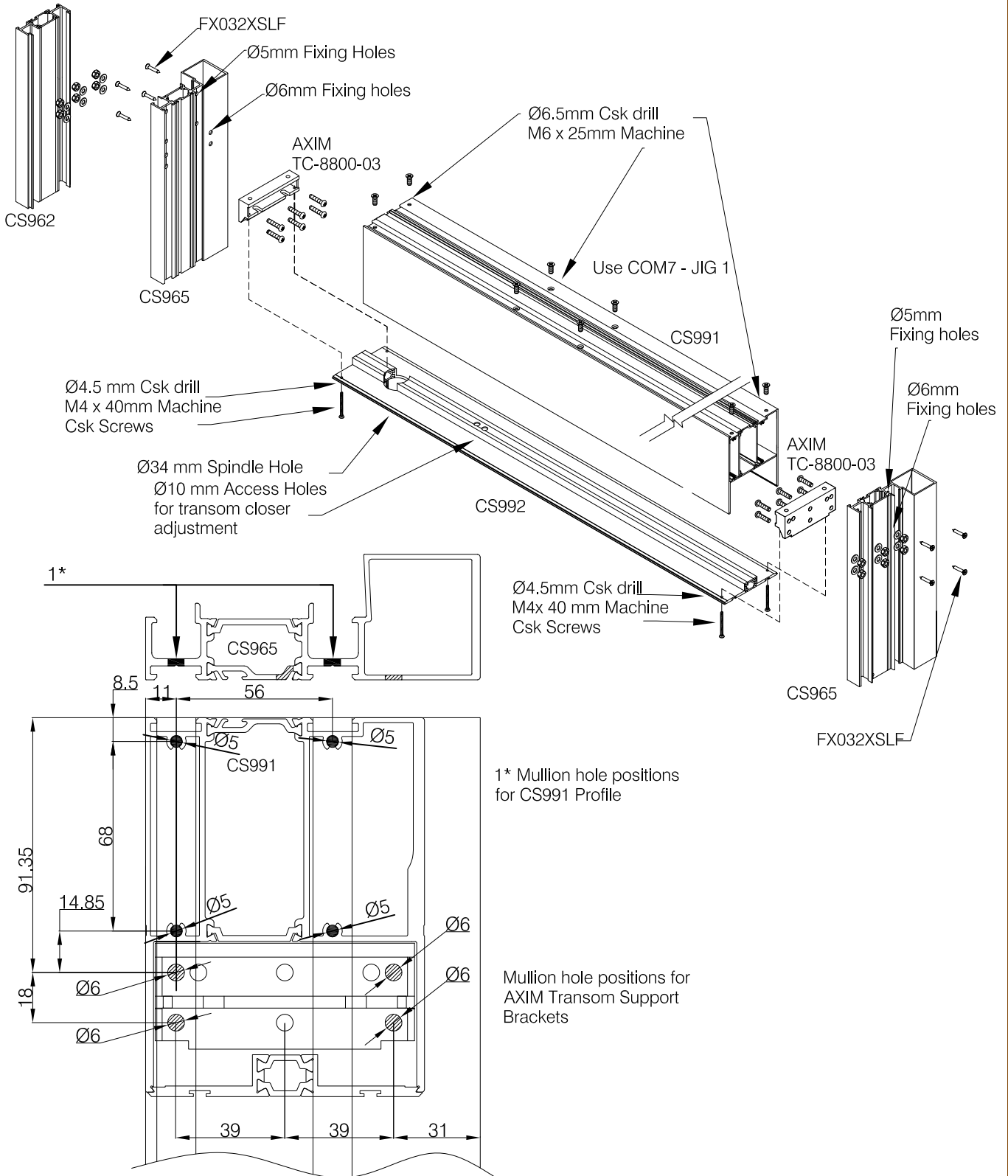
Mullion hole positions for
AXIM Transom Support
Brackets

Use 2 self tapping screws for fixing to polyamide strip

Copyright & ownership of this drawing is vested in COMAR Architectural Aluminium Systems, whose prior written consent is required for its use, reproduction or publication to any third party. All other rights reserved. Subject to modifications without prior notification



SCALE	1:1	@ A4
DATE	24/04/17	
DRAWN	VM / KD	
DRG. No.	C7Pi-CD-3.12 R2	



Copyright & ownership of this drawing is vested in COMAR Architectural Aluminium Systems, whose prior written consent is required for its use, reproduction or publication to any third party. All other rights reserved. Subject to modifications without prior notification

comar 7P.i

TITLE
**POLYAMIDE INSULATED DOORS
COMAR 7Pi COMMERCIAL DOOR**

SHEET No.
3.12.2

SUB TITLE
INTENTIONALLY BLANK



comar
ARCHITECTURAL ALUMINIUM SYSTEMS

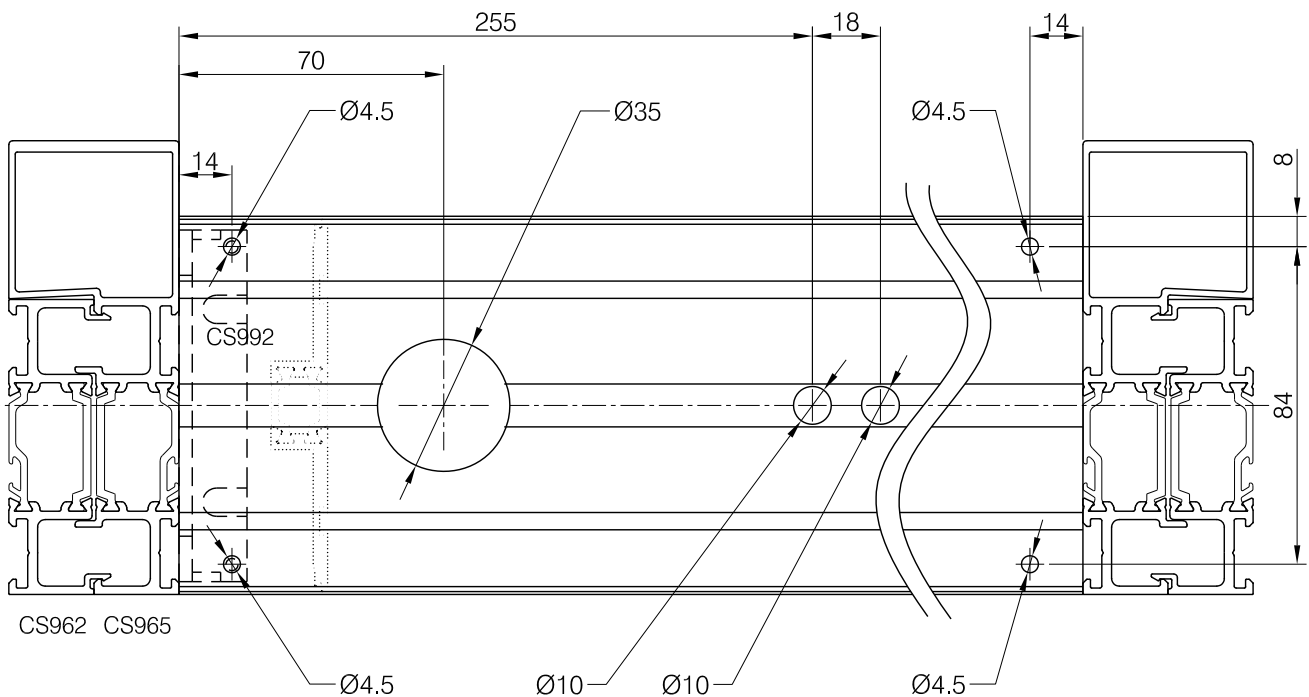
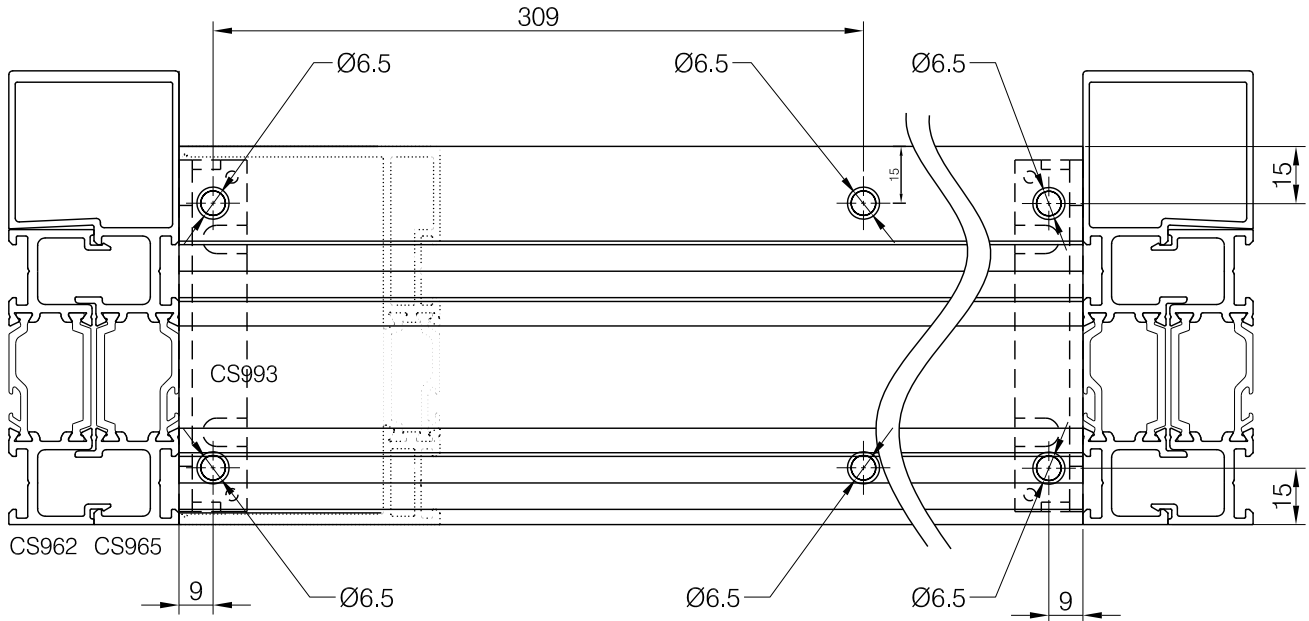


Copyright & ownership of this drawing is vested in COMAR Architectural Aluminium Systems, whose prior written consent is required for its use, reproduction or publication to any third party. All other rights reserved. Subject to modifications without prior notification

THE PARKSIDE GROUP LTD
UNIT 5 ° THE WILLOW CENTRE
17 WILLOW LANE ° MITCHAM
SURREY ° CR4 4NX
Tel: 020-8685 9685 Fax: 020-8687 1142
Email: technical@parksidegrp.co.uk
Web Site: <http://www.comar-alu.co.uk>

SCALE	1:1	@ A4
DATE	25/04/17	
DRAWN	KD	
DRG. No.	C7Pi-CD-3.12.2 R0	

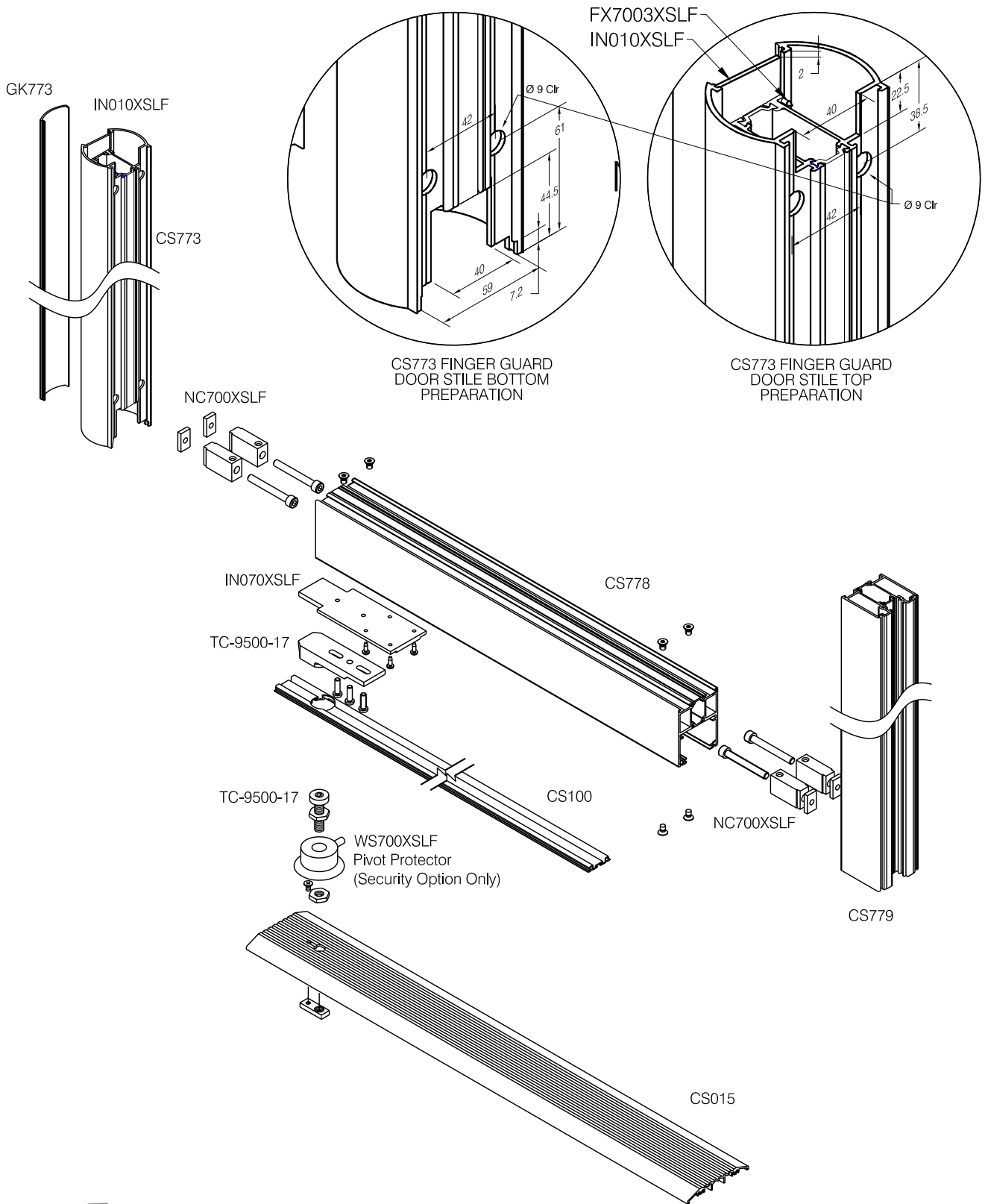
HEADER BAR/PLATE HOLE POSITIONS FOR
AXIM TRANSOM SUPPORT BRACKETS
USE COM7-JIG1



Copyright & ownership of this drawing is vested in COMAR Architectural Aluminium Systems, whose prior written consent is required for its use, reproduction or publication to any third party. All other rights reserved. Subject to modifications without prior notification



SCALE	1:1	© A4
DATE	01/06/11	
DRAWN	VM / CAD	
DRG. No.	C7Pi-CD-3.13	R0

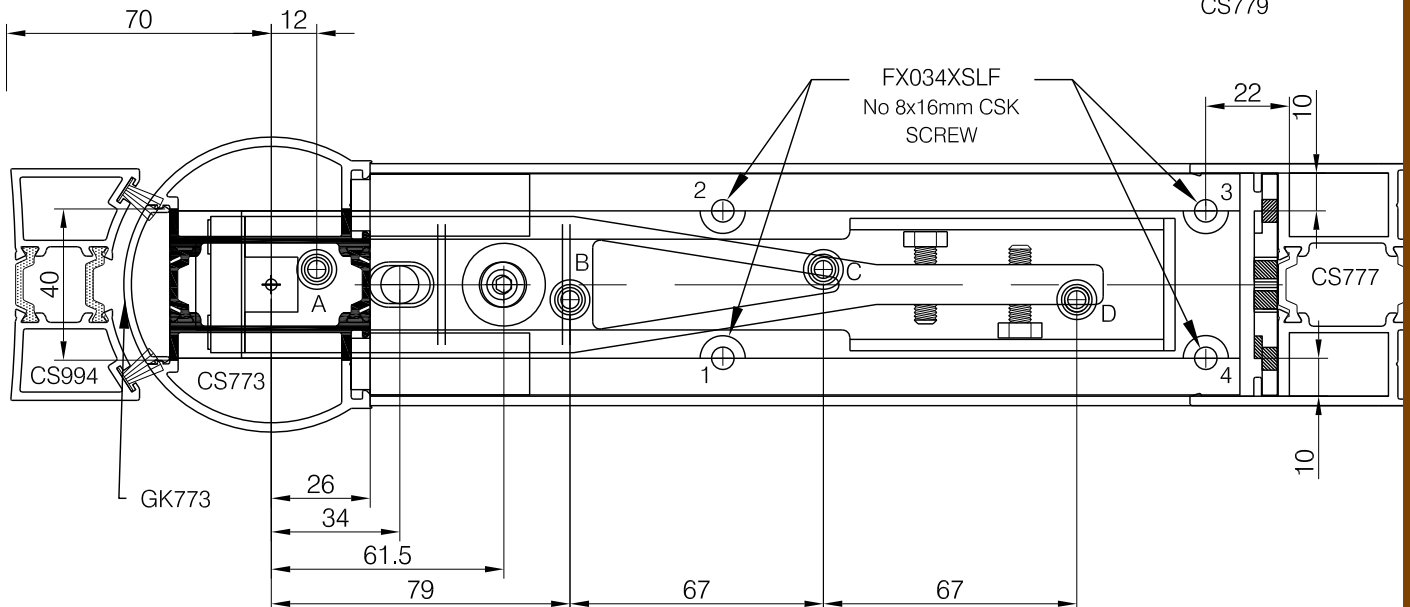
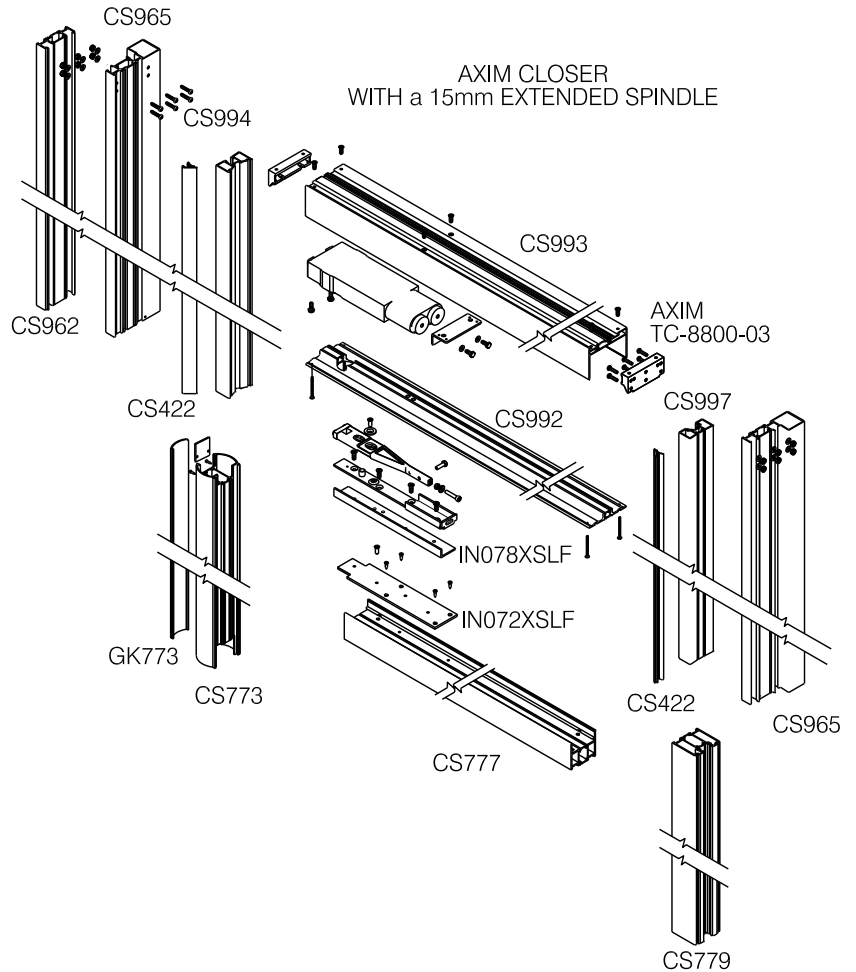


Copyright & ownership of this drawing is vested in COMAR Architectural Aluminium Systems, whose prior written consent is required for its use, reproduction or publication to any third party. All other rights reserved. Subject to modifications without prior notification

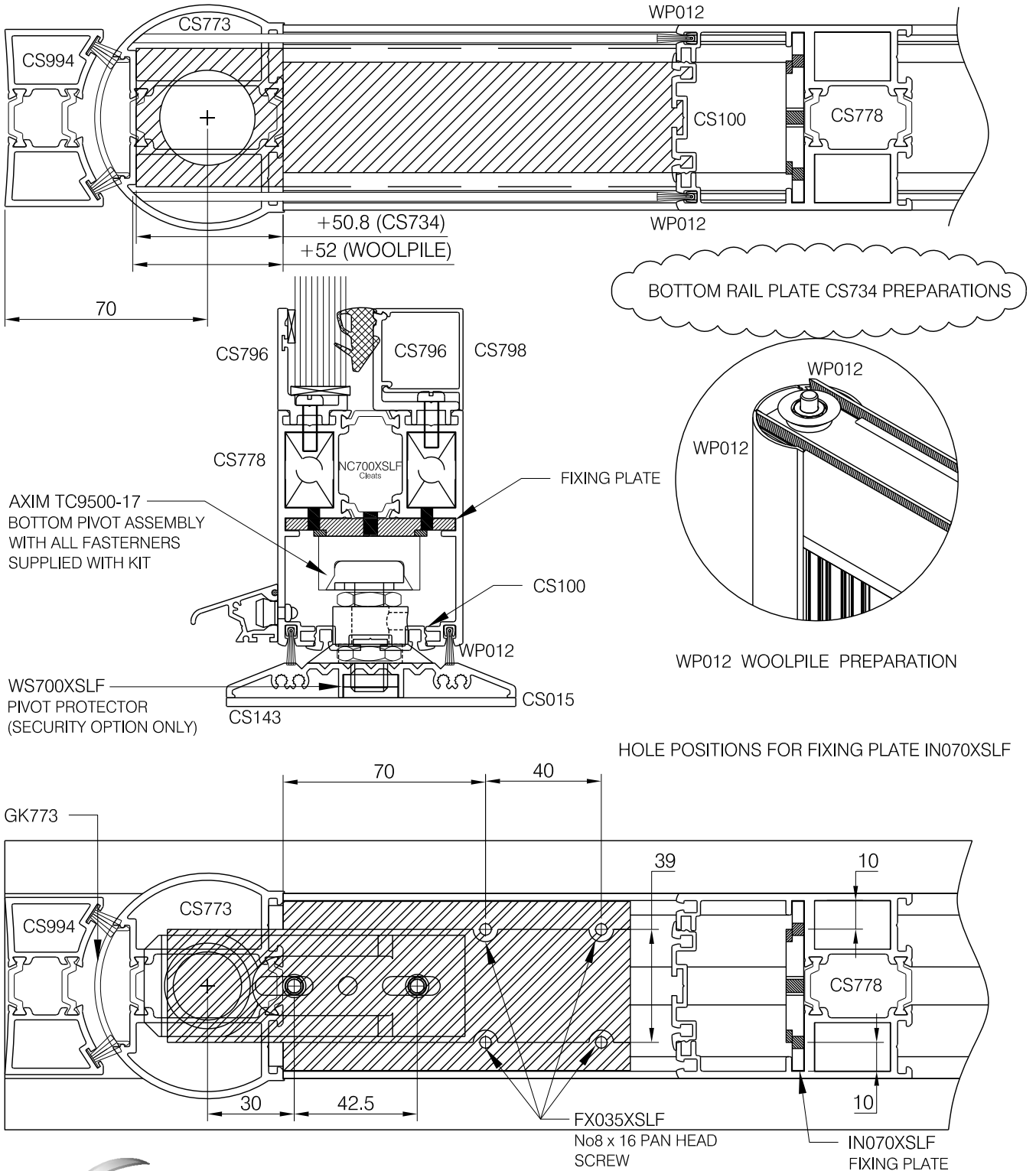
PLEASE NOTE: ALL PREPS FOR CS773 SHOULD BE DONE PRIOR TO FRAME ASSEMBLY.

ASSEMBLY:

1. IN072XSLF SLIDES IN TO CS777 PRIOR TO LEAF ASSEMBLY.
2. COUNTERSINK HOLES 1-4 IN IN072XSLF. USING CENTER PUNCH MARK HOLES 1-4 & B,C,D. REMOVE IN072XSLF AND DRILL HOLES 1-4 FOR N8 FX034XSLF SCREWS. DRILL HOLES B,C,D USING 5MM DRILL BIT.
3. WHEN DOOR LEAF CORNERS ARE FIXED WITH CLEATS NC071XSLF/NC072XSLF SLIDE PLATE BACK & FIX IT TO CS777 WITH 4FX802XSLF SCREWS.
4. THEN FIX END LOAD ARM TC-8800-15 TO PLATE IN072XSLF USING SCREWS SUPPLIED IN KIT.
5. INSTALL TOP ARM PROTECTION ANGLE IN078XSLF BETWEEN IN072XSLF AND TOP ARM PLATE.



Copyright & ownership of this drawing is vested in COMAR Architectural Aluminium Systems, whose prior written consent is required for its use, reproduction or publication to any third party. All other rights reserved. Subject to modifications without prior notification.



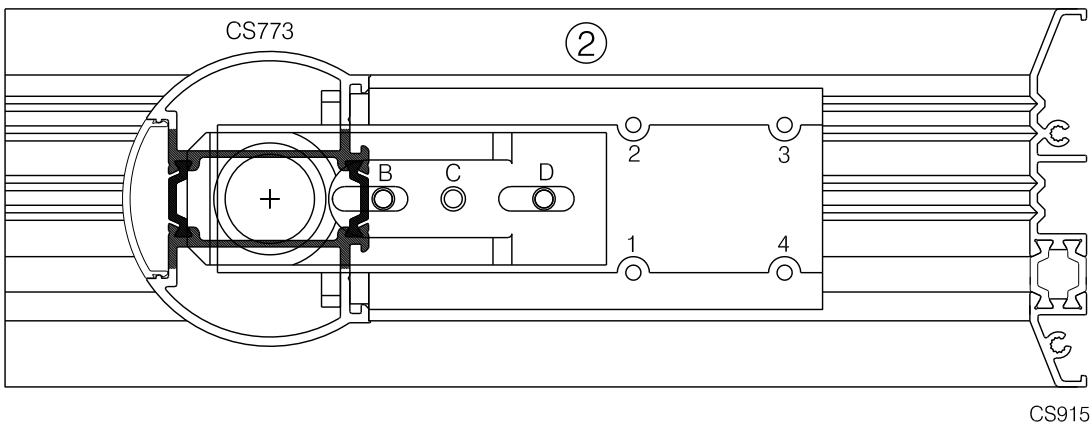
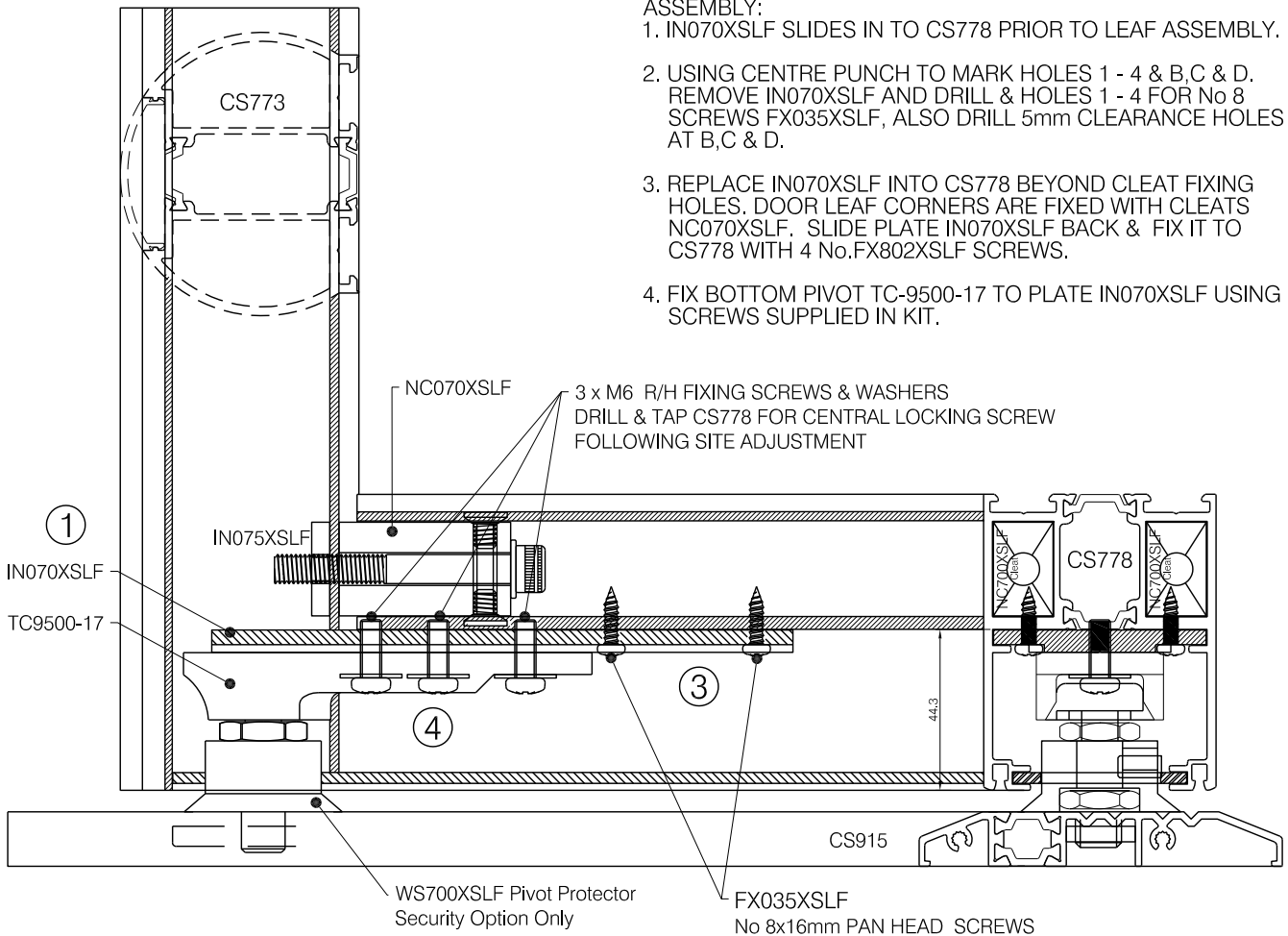
Copyright & ownership of this drawing is vested in COMAR Architectural Aluminium Systems, whose prior written consent is required for its use, reproduction or publication to any third party. All other rights reserved. Subject to modifications without prior notification

SCALE	1:1	© A4
DATE	02/07/2019	
DRAWN	VM / NRA	
DRG. No.	C7Pi-CD-3.16 R2	

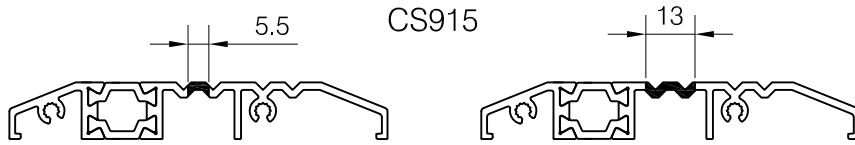
PLEASE NOTE: ALL PREPS FOR CS773 SHOULD BE DONE PRIOR TO FRAME ASSEMBLY.

ASSEMBLY:

1. IN070XSFL SLIDES IN TO CS778 PRIOR TO LEAF ASSEMBLY.
2. USING CENTRE PUNCH TO MARK HOLES 1 - 4 & B,C & D. REMOVE IN070XSFL AND DRILL & HOLES 1 - 4 FOR No 8 SCREWS FX035XSFL, ALSO DRILL 5mm CLEARANCE HOLES AT B,C & D.
3. REPLACE IN070XSFL INTO CS778 BEYOND CLEAT FIXING HOLES. DOOR LEAF CORNERS ARE FIXED WITH CLEATS NC070XSFL. SLIDE PLATE IN070XSFL BACK & FIX IT TO CS778 WITH 4 No.FX802XSFL SCREWS.
4. FIX BOTTOM PIVOT TC-9500-17 TO PLATE IN070XSFL USING SCREWS SUPPLIED IN KIT.

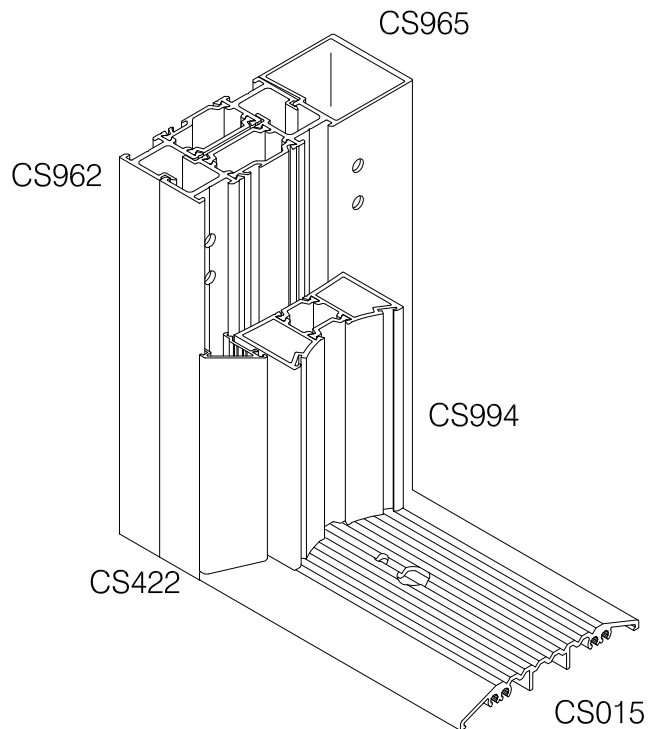
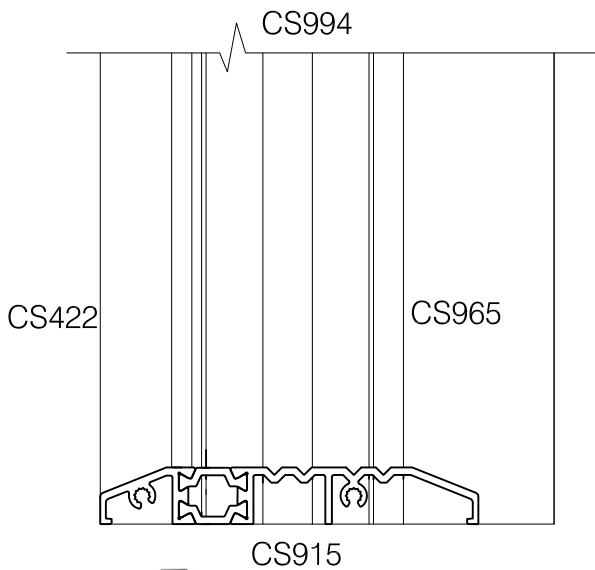
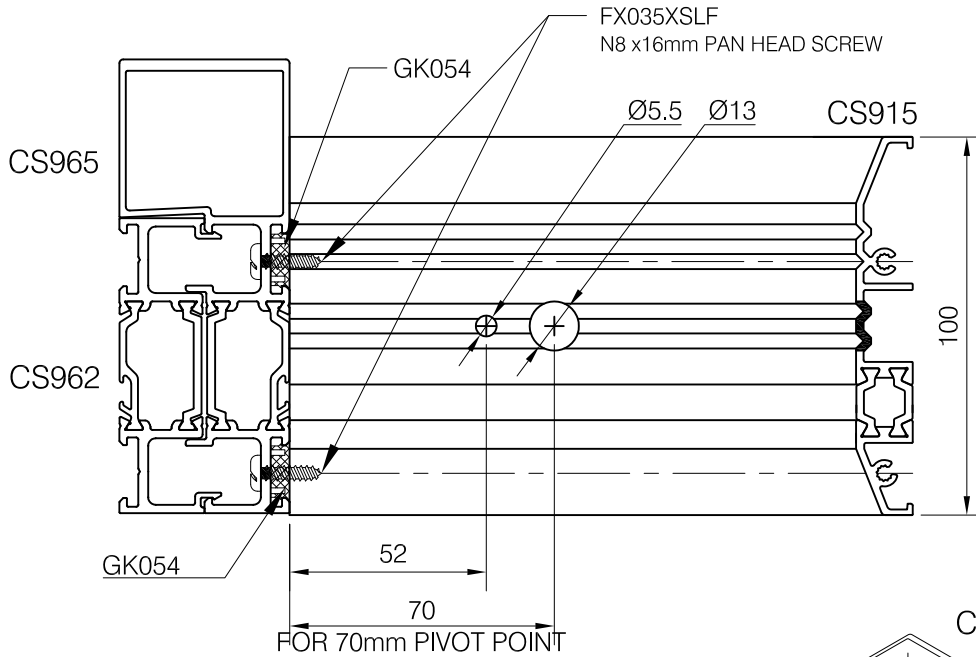


Copyright & ownership of this drawing is vested in COMAR Architectural Aluminium Systems, whose prior written consent is required for its use, reproduction or publication to any third party. All other rights reserved. Subject to modifications without prior notification



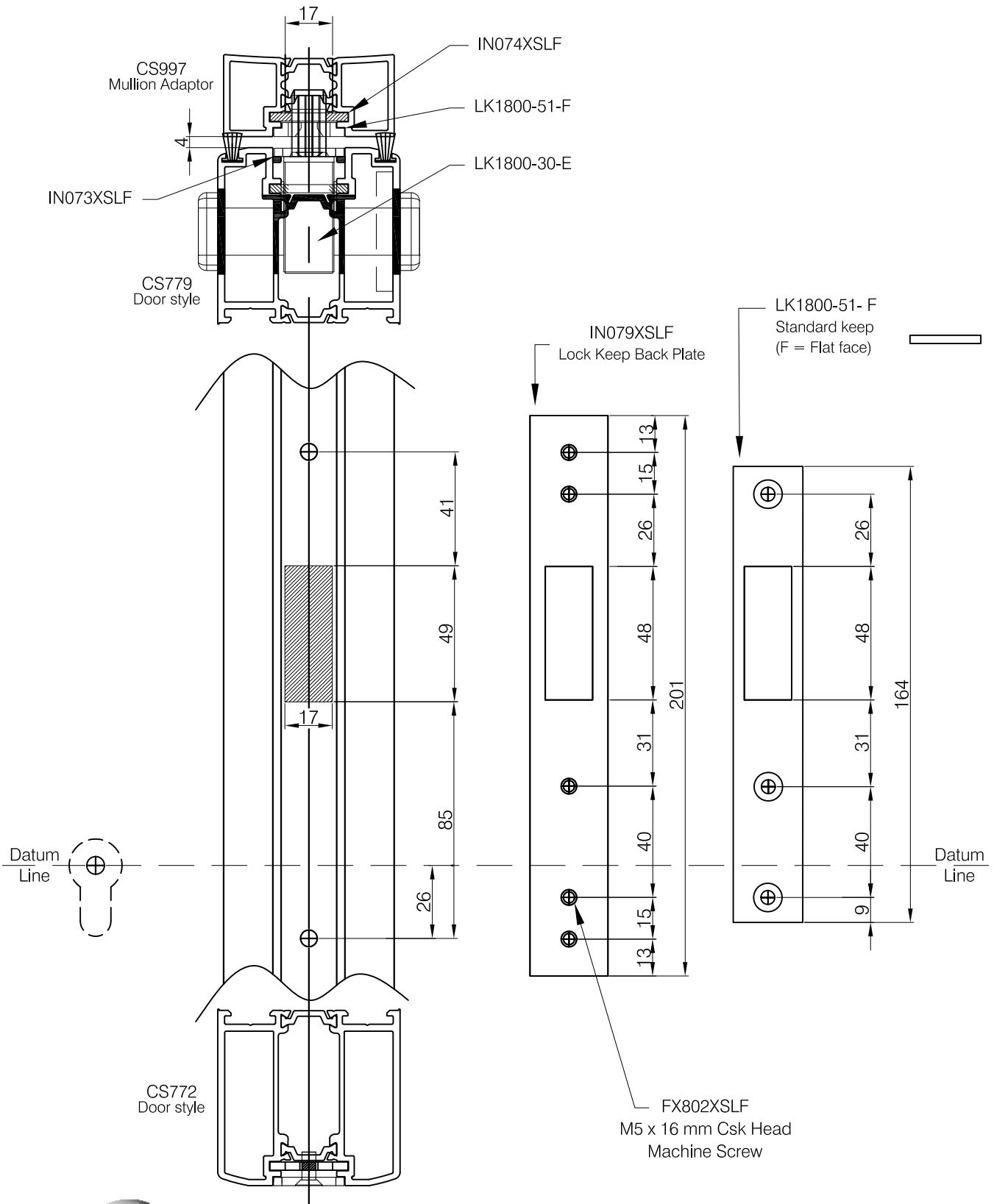
USE TOOL 13 STATION 2 TO
PUNCH 5.5mm HOLE IN CS915

USE TOOL 13 STATION 4 TO
PUNCH 13mm HOLE IN CS915



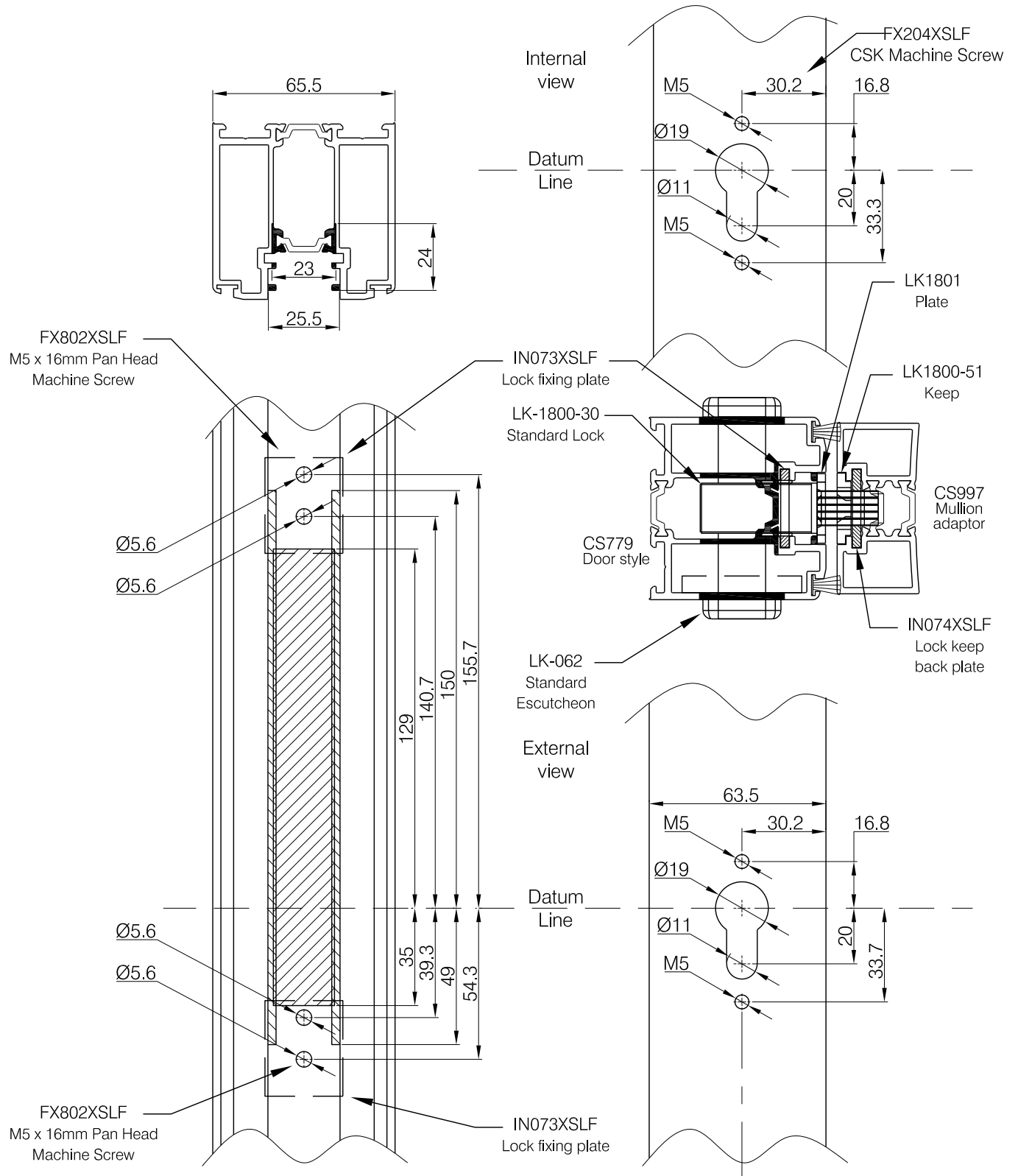
Copyright & ownership of this drawing is vested in COMAR Architectural Aluminium Systems, whose prior written consent is required for its use, reproduction or publication to any third party. All other rights reserved. Subject to modifications without prior notification

SCALE	1:1	© A4
DATE	28/03/2017	
DRAWN	VM / NS	
DRG. No.	C7Pi-CD-3.18 R1	

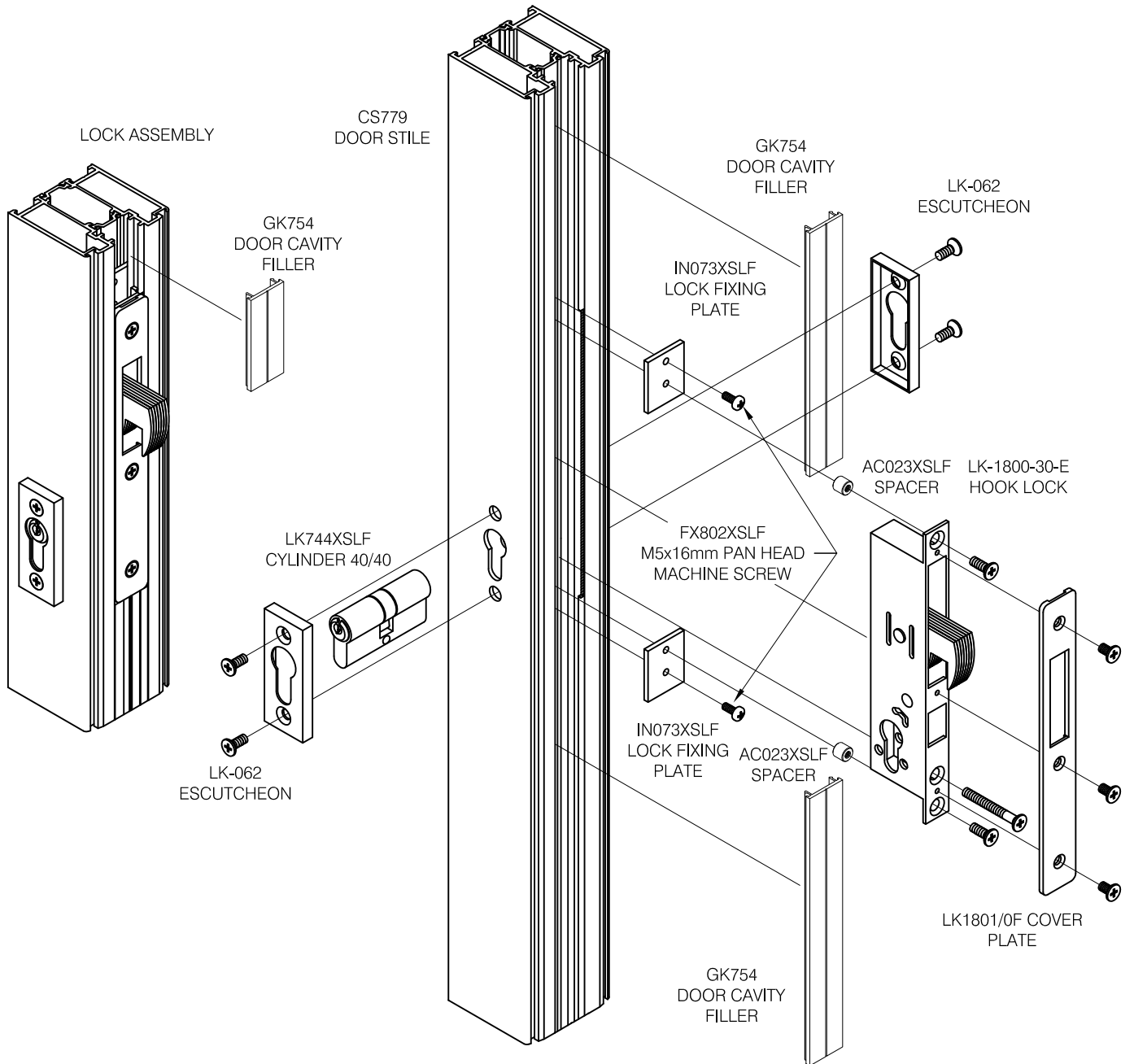


Copyright & ownership of this drawing is vested in COMAR Architectural Aluminium Systems, whose prior written consent is required for its use, reproduction or publication to any third party. All other rights reserved. Subject to modifications without prior notification

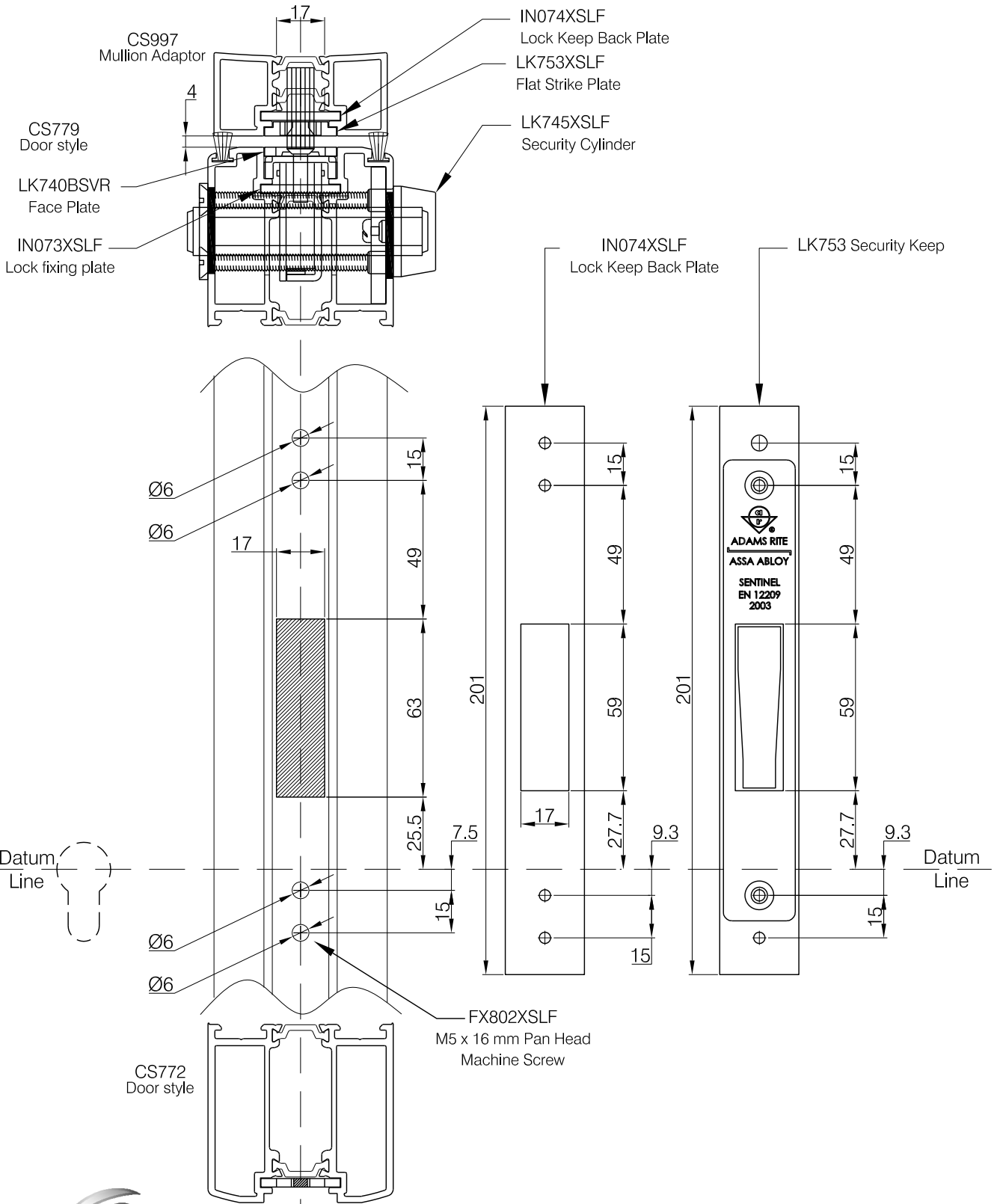
SCALE	1: 2	@ A4
DATE	28/03/17	
DRAWN	VM/KD	
DRG. No.	C7Pi-CD-3.19	R2



Copyright & ownership of this drawing is vested in COMAR Architectural Aluminium Systems, whose prior written consent is required for its use, reproduction or publication to any third party. All other rights reserved. Subject to modifications without prior notification

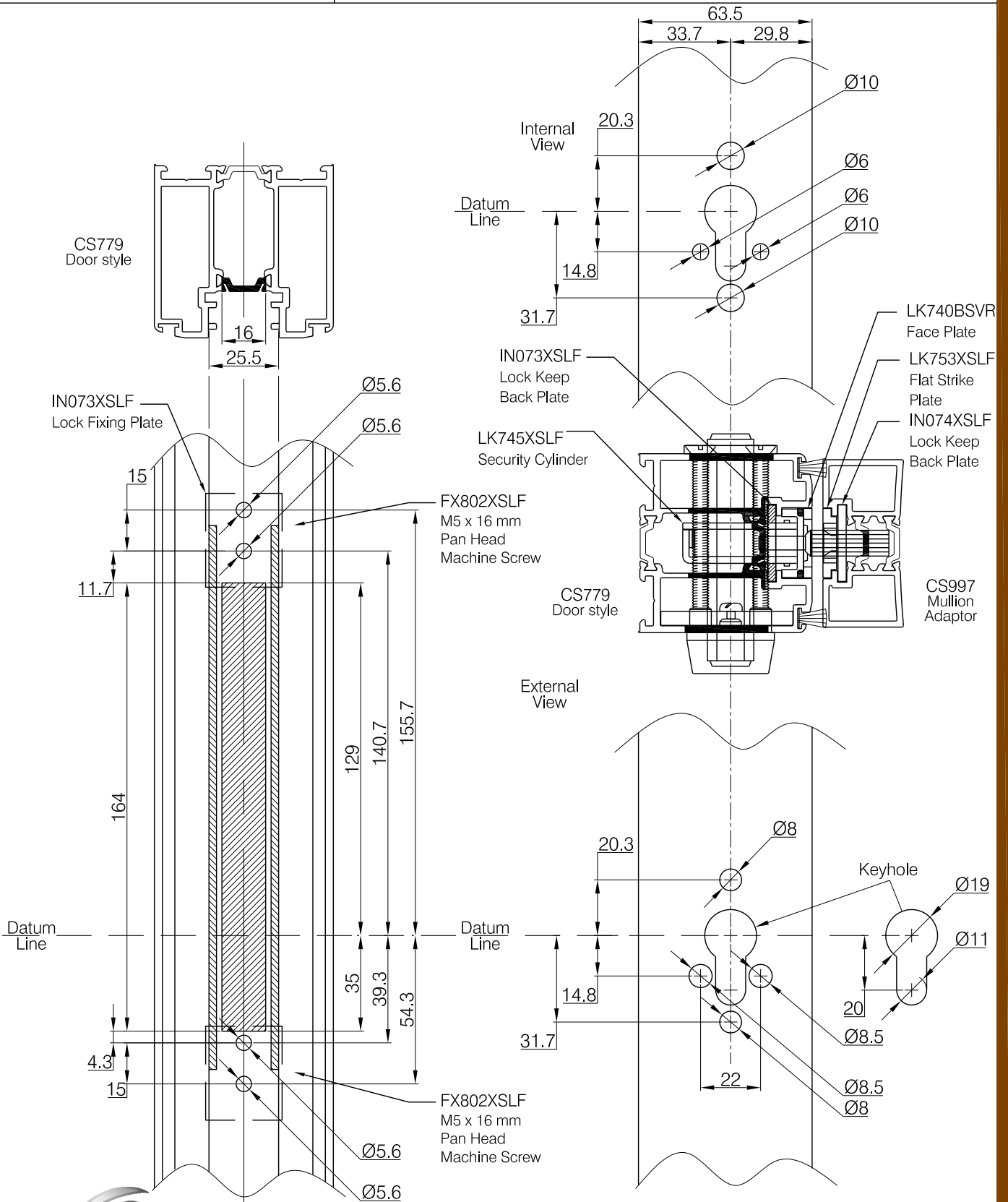


SCALE	NTS	@ A4
DATE	28/03/17	
DRAWN	VM/KD	
DRG. No.	C7Pi-CD-3.21	R2



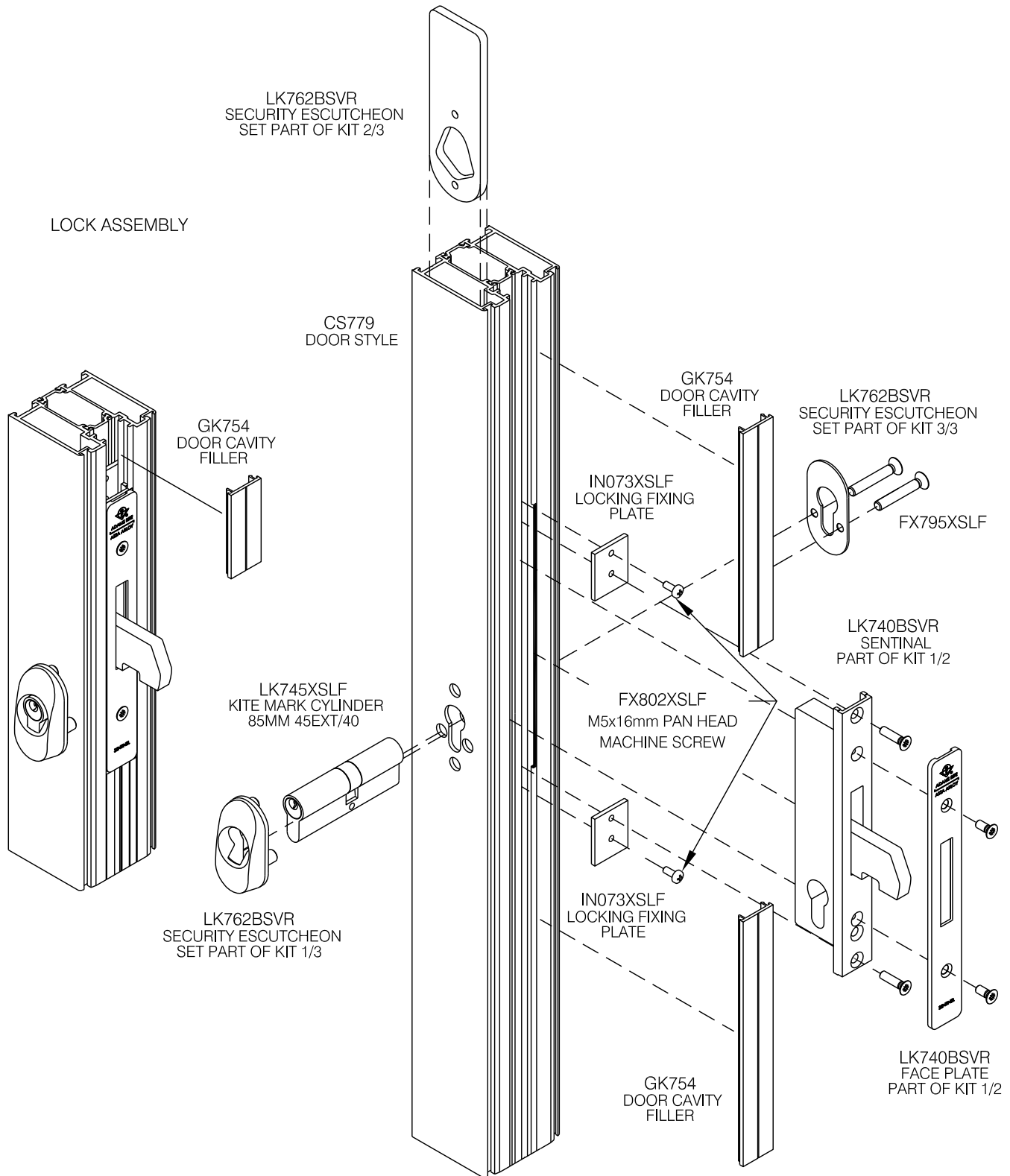
Copyright & ownership of this drawing is vested in COMAR Architectural Aluminium Systems, whose prior written consent is required for its use, reproduction or publication to any third party. All other rights reserved. Subject to modifications without prior notification

SCALE	1: 2	© A4
DATE	06/12/2019	
DRAWN	VM/KP/BB	
DRG. No.	C7Pi-CD-3.22 R3	



Copyright & ownership of this drawing is vested in COMAR Architectural Aluminium Systems, whose prior written consent is required for its use, reproduction or publication to any third party. All other rights reserved. Subject to modifications without prior notification.

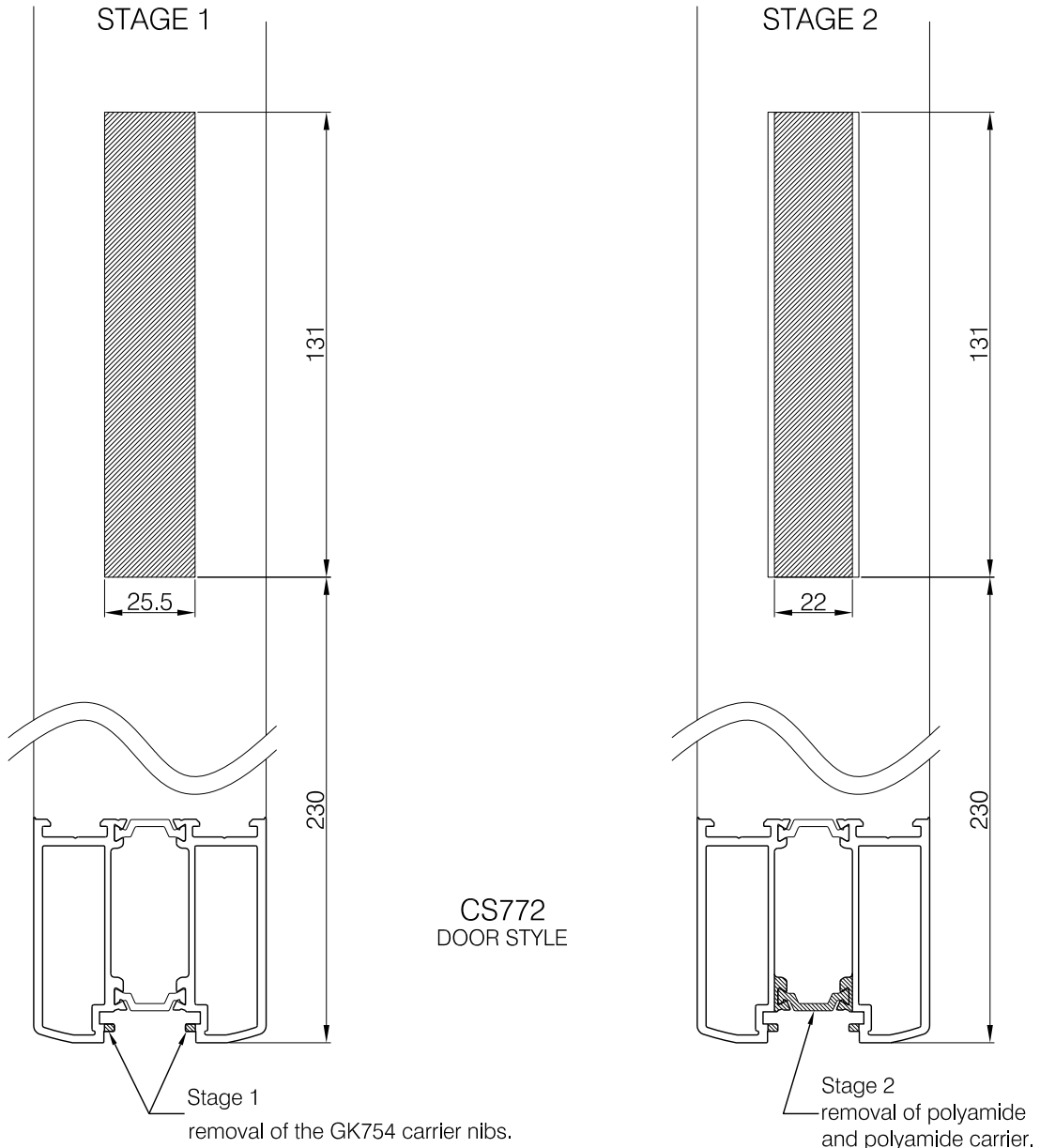
SCALE	1: 2	© A4
DATE	06/12/2019	
DRAWN	VM/KP/BB	
DRG. No.	C7Pi-CD-3.23 R3	



Copyright & ownership of this drawing is vested in COMAR Architectural Aluminium Systems, whose prior written consent is required for its use, reproduction or publication to any third party. All other rights reserved. Subject to modifications without prior notification.



SCALE	NTS	© A4
DATE	01/06/11	
DRAWN	VM / CAD	
DRG. No.	C7Pi-CD-3.24 R0	



Copyright & ownership of this drawing is vested in COMAR Architectural Aluminium Systems, whose prior written consent is required for its use, reproduction or publication to any third party. All other rights reserved. Subject to modifications without prior notification.

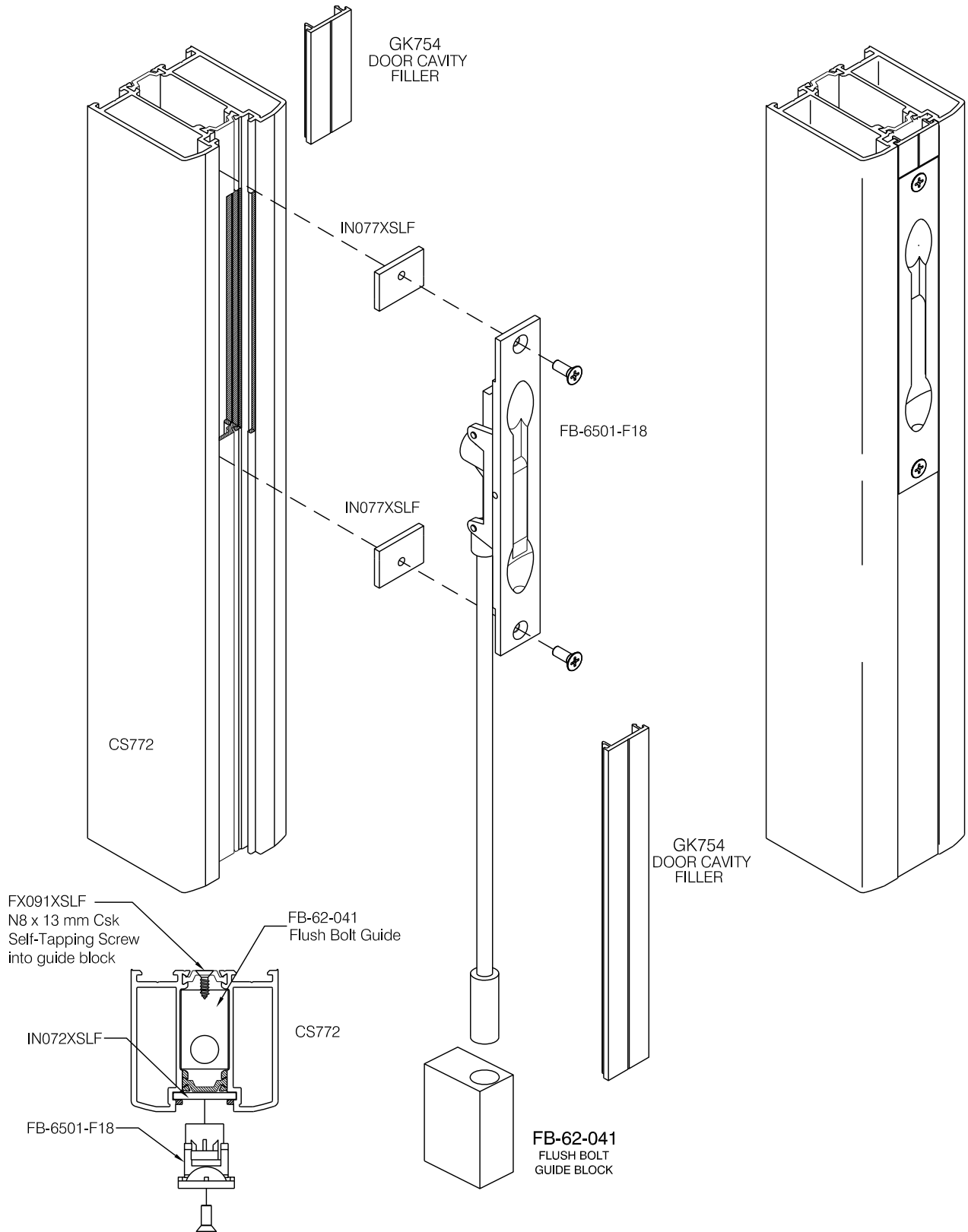


comar
 ARCHITECTURAL ALUMINIUM SYSTEMS



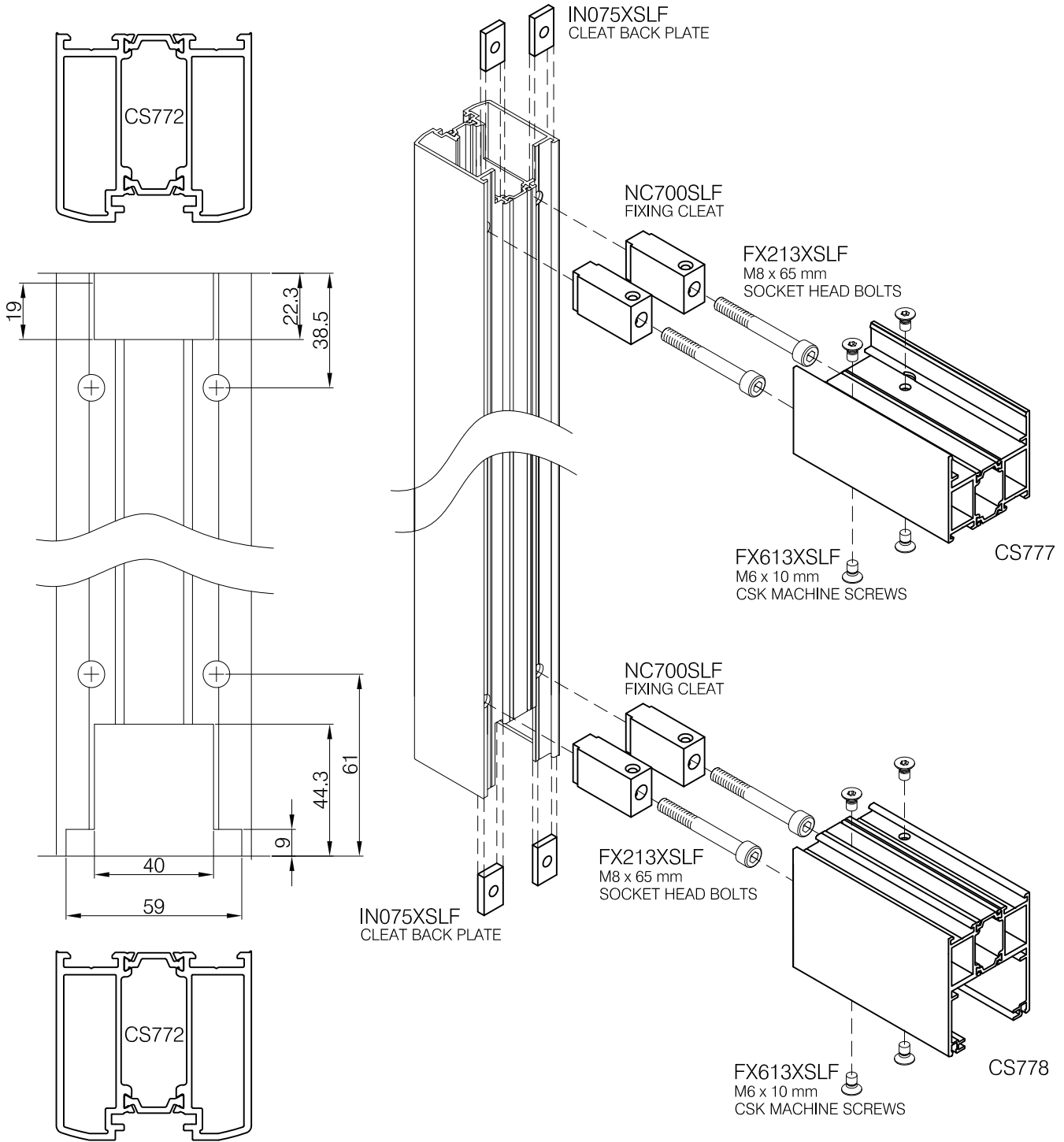
THE PARKSIDE GROUP LTD
 UNIT 5 ° THE WILLOW CENTRE
 17 WILLOW LANE ° MITCHAM
 SURREY ° CR4 4NX
 Tel: 020-8685 9685 Fax: 020-8687 1142
 Email: technical@parksidegrp.co.uk
 Web Site: http://www.comar-alu.co.uk

SCALE	1: 2	© A4
DATE	25/09/14	
DRAWN	VM/KP	
DRG. No.	C7Pi-CD-3.25 R1	



Copyright & ownership of this drawing is vested in COMAR Architectural Aluminium Systems, whose prior written consent is required for its use, reproduction or publication to any third party. All other rights reserved. Subject to modifications without prior notification

SCALE	NTS	© A4
DATE	25/09/14	
DRAWN	VM/KP	
DRG. No.	C7Pi-CD-3.26 R1	



SCALE	NTS	© A4
DATE	24/04/17	
DRAWN	KP / KD	
DRG. No.	C7Pi-CD-3.26.1 R0	

comar 7P.i

TITLE
**POLYAMIDE INSULATED DOORS
COMAR 7Pi COMMERCIAL DOOR**

SHEET No.
3.26.2

SUB TITLE
INTENTIONALLY BLANK



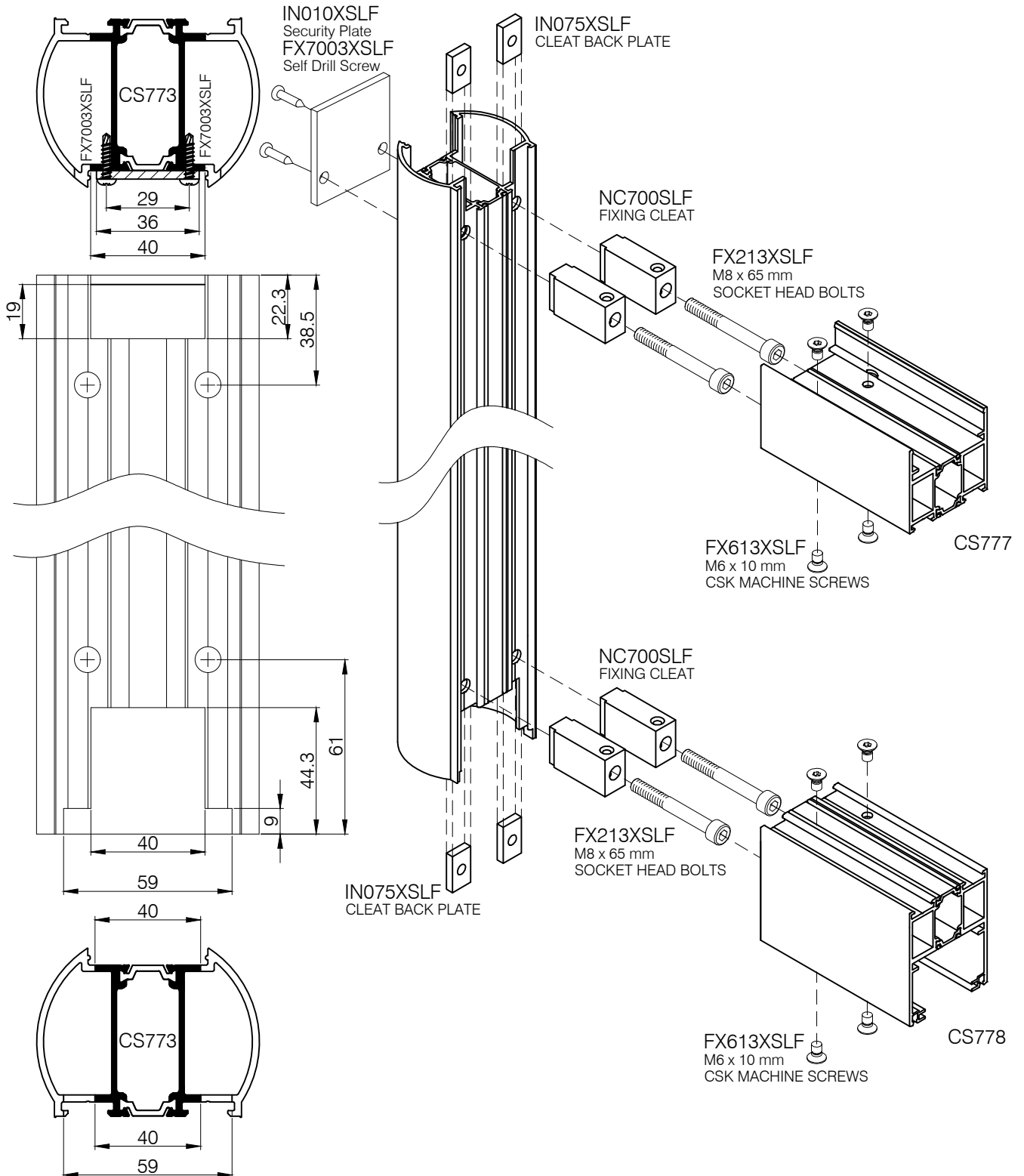
comar
ARCHITECTURAL ALUMINIUM SYSTEMS



Copyright & ownership of this drawing is vested in COMAR Architectural Aluminium Systems, whose prior written consent is required for its use, reproduction or publication to any third party. All other rights reserved. Subject to modifications without prior notification

THE PARKSIDE GROUP LTD
UNIT 5 ° THE WILLOW CENTRE
17 WILLOW LANE ° MITCHAM
SURREY ° CR4 4NX
Tel: 020-8685 9685 Fax: 020-8687 1142
Email: technical@parksidegrp.co.uk
Web Site: <http://www.comar-alu.co.uk>

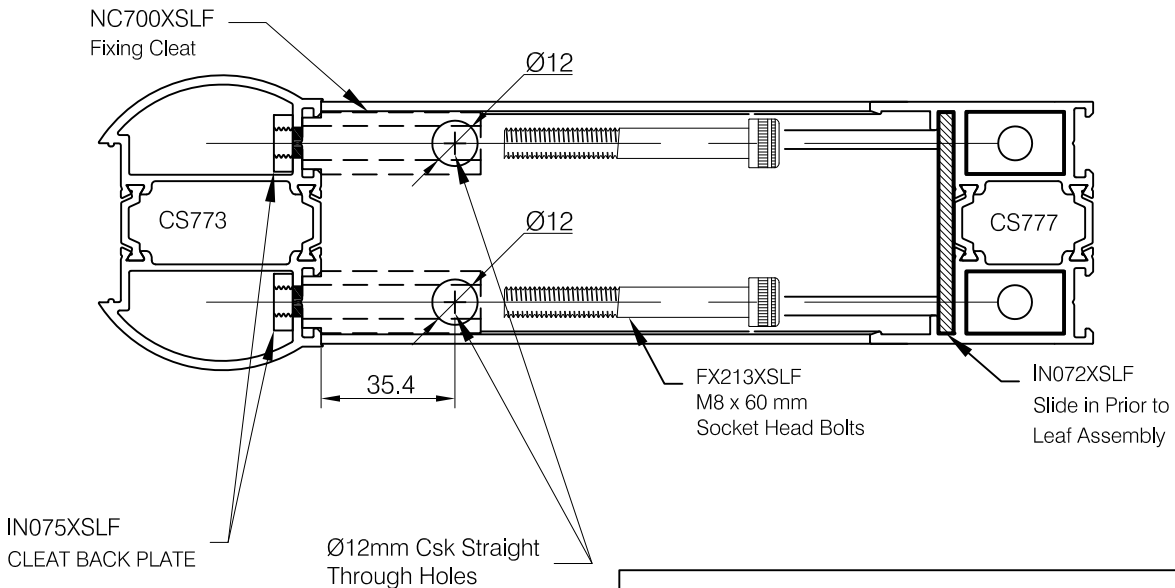
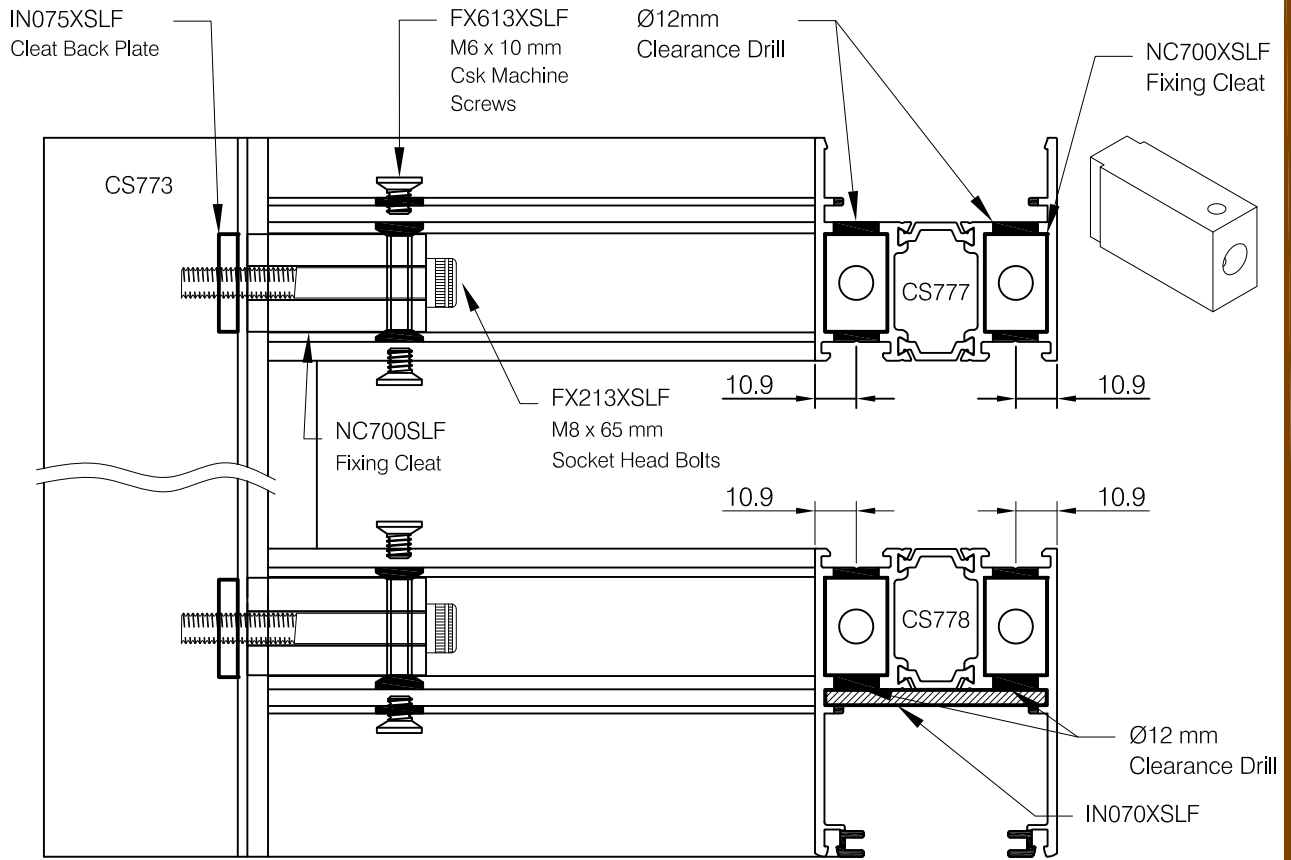
SCALE	NTS	@ A4
DATE	03/05/17	
DRAWN	KD	
DRG. No.	C7Pi-CD-3.26.2	R0



Copyright & ownership of this drawing is vested in COMAR Architectural Aluminium Systems, whose prior written consent is required for its use, reproduction or publication to any third party. All other rights reserved. Subject to modifications without prior notification



SCALE	NTS	© A4
DATE	21/03/16	
DRAWN	KP/AMR	
DRG. No.	C7Pi-CD-3.27	R2

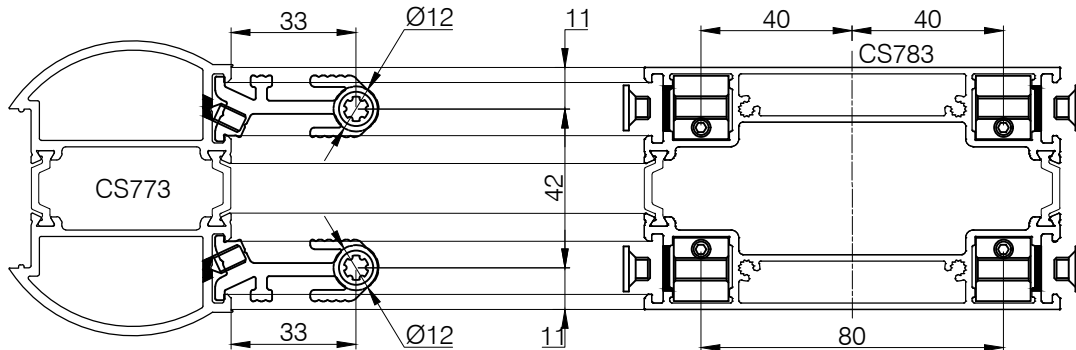
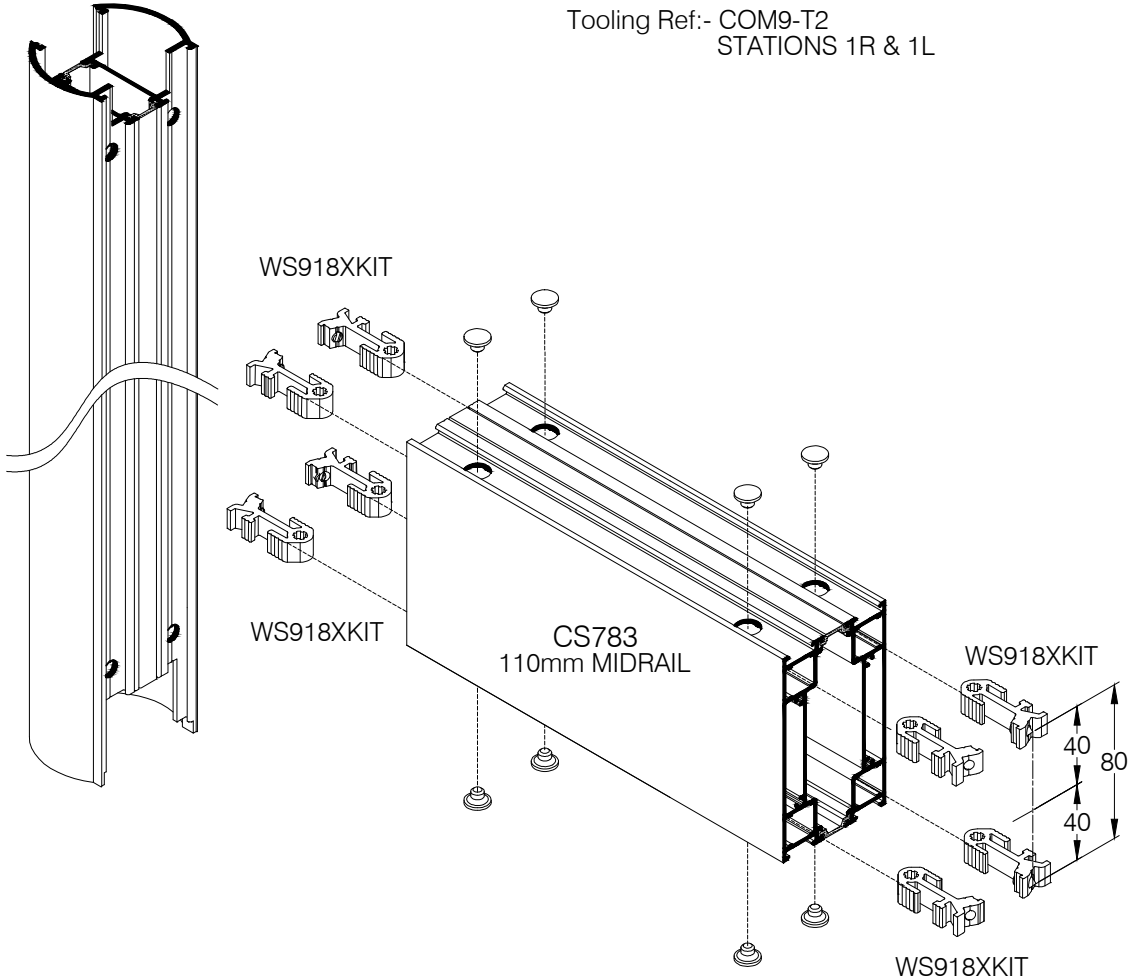


PLEASE NOTE: ALL PREPS FOR CS773,CS772 SHOULD BE DONE PRIOR TO LEAF ASSEMBLY. WP007, IN070 AND IN072 SHOULD BE SLID IN PRIOR TO LEAF ASSEMBLY

Copyright & ownership of this drawing is vested in COMAR Architectural Aluminium Systems, whose prior written consent is required for its use, reproduction or publication to any third party. All other rights reserved. Subject to modifications without prior notification

CS773
FINGER GUARD
DOOR STYLE

Tooling Ref:- COM9-T2
STATIONS 1R & 1L



Copyright & ownership of this drawing is vested in COMAR Architectural Aluminium Systems, whose prior written consent is required for its use, reproduction or publication to any third party. All other rights reserved. Subject to modifications without prior notification

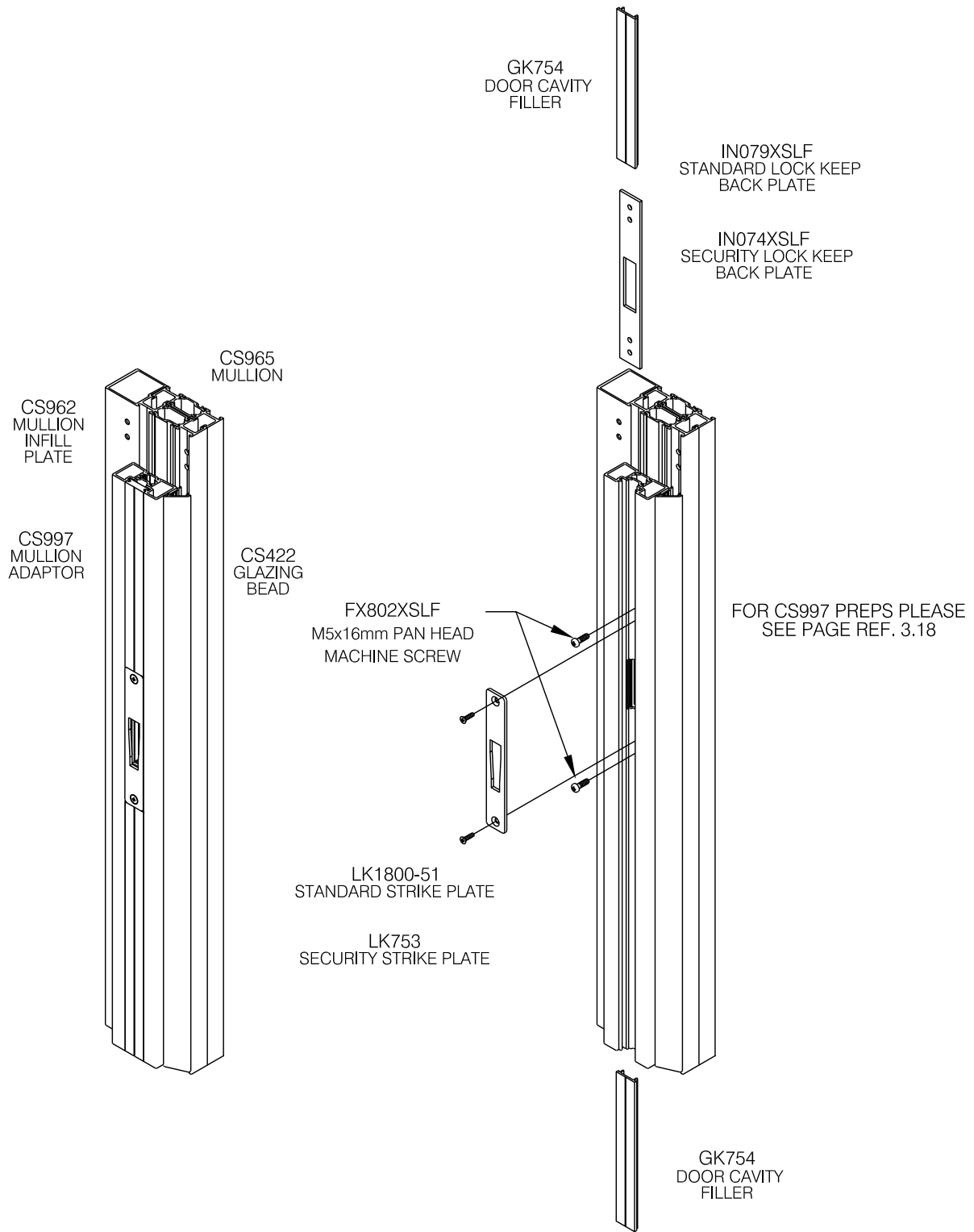


comar
ARCHITECTURAL ALUMINIUM SYSTEMS



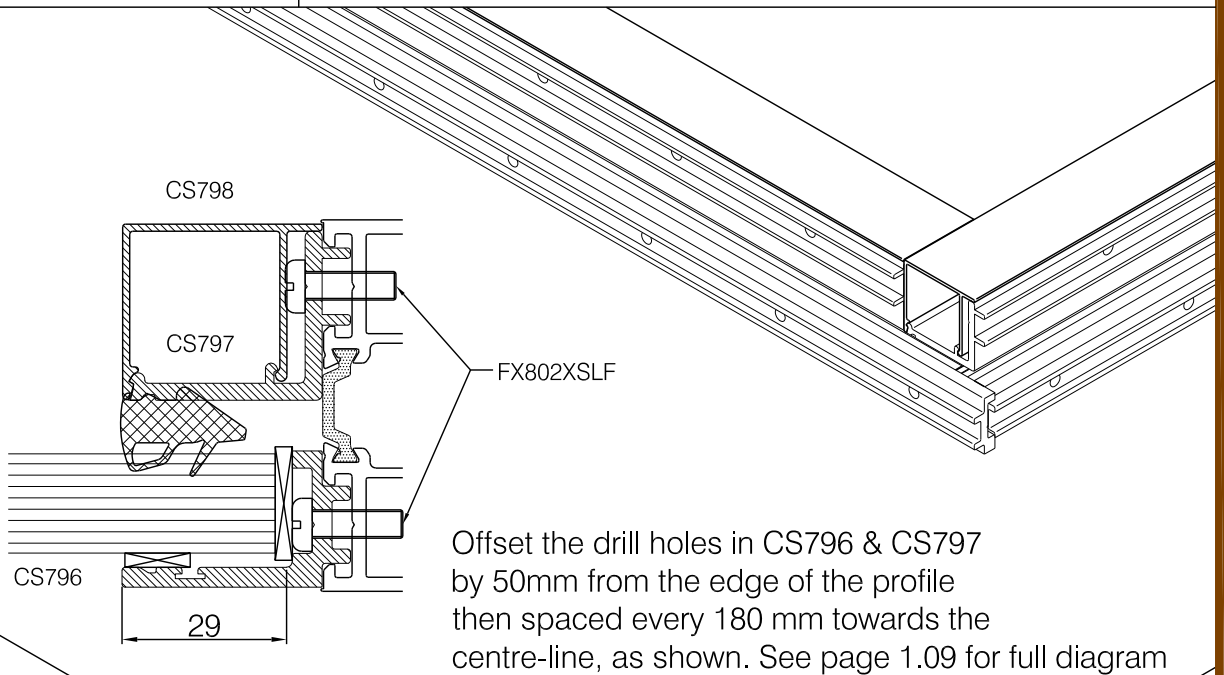
THE PARKSIDE GROUP LTD
UNIT 5 ° THE WILLOW CENTRE
17 WILLOW LANE ° MITCHAM
SURREY ° CR4 4NX
Tel: 020-8685 9685 Fax: 020-8687 1142
Email: technical@parksidegrp.co.uk
Web Site: <http://www.comar-alu.co.uk>

SCALE	NTS	© A4
DATE	21/03/16	
DRAWN	KP/AMR	
DRG. No.	C7Pi-CD-3.29 R2	

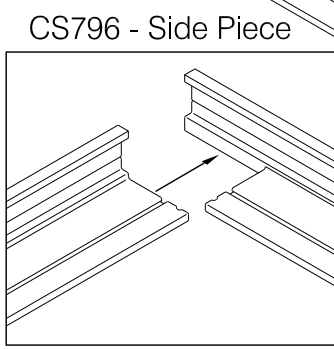
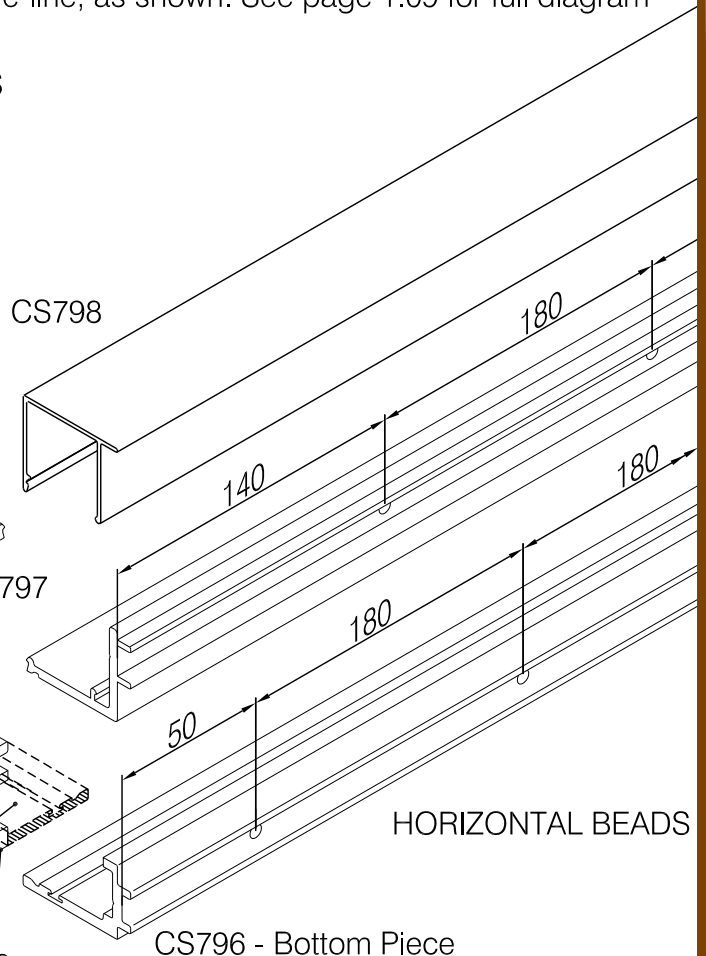
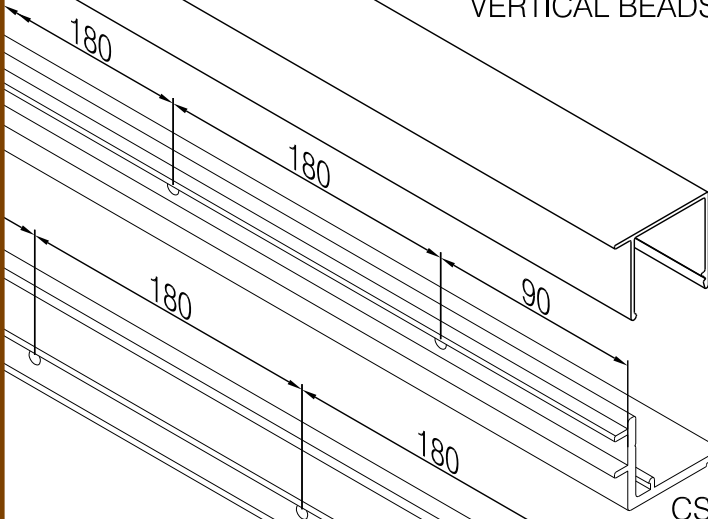


Copyright & ownership of this drawing is vested in COMAR Architectural Aluminium Systems, whose prior written consent is required for its use, reproduction or publication to any third party. All other rights reserved. Subject to modifications without prior notification

SCALE	NTS	© A4
DATE	06/12/2019	
DRAWN	VM/CAD/BB	
DRG. No.	C7Pi-CD-3.30 R1	



VERTICAL BEADS



Copyright & ownership of this drawing is vested in COMAR Architectural Aluminium Systems, whose prior written consent is required for its use, reproduction or publication to any third party. All other rights reserved. Subject to modifications without prior notification

SCALE	NTS	© A4
DATE	06/12/2019	
DRAWN	VM/KP/BB	
DRG. No.	C7Pi-CD-3.31 R2	

Panic exit device,
Concealed Vertical Rod, 42" bar.

Aluminium PR-7085-AL
Bronze PR-7085-DU
Black PR-7085-BK
Green PR-7085-GRN

Accessories.

Crash bar 48"

Silver CB-748-AL
Black CB-748-BK

Extension rod with coupler
(300mm extension) RE-712

Rim cylinder lock for 67mm Door Stile
with 7085 Panic Exit Device.
Supplied with 2 keys. (keyed to differ)

Aluminium RC-791-AL

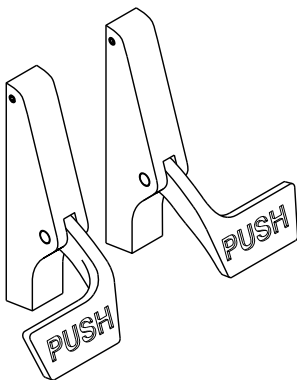
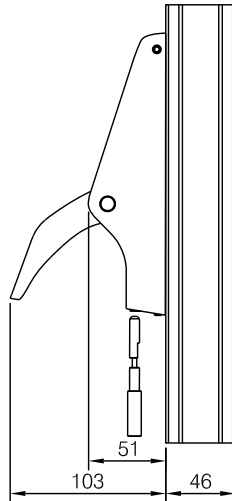
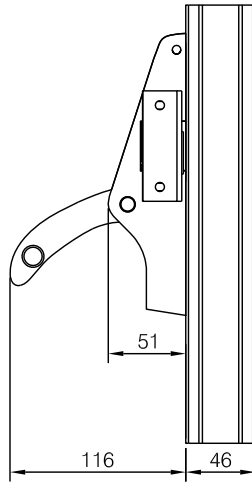
Rim cylinder lock for 67mm Door Stile with 7085
Panic Exit Device
Supplied with 2 keys. (keyed alike)

Aluminium RC-791-AL-S

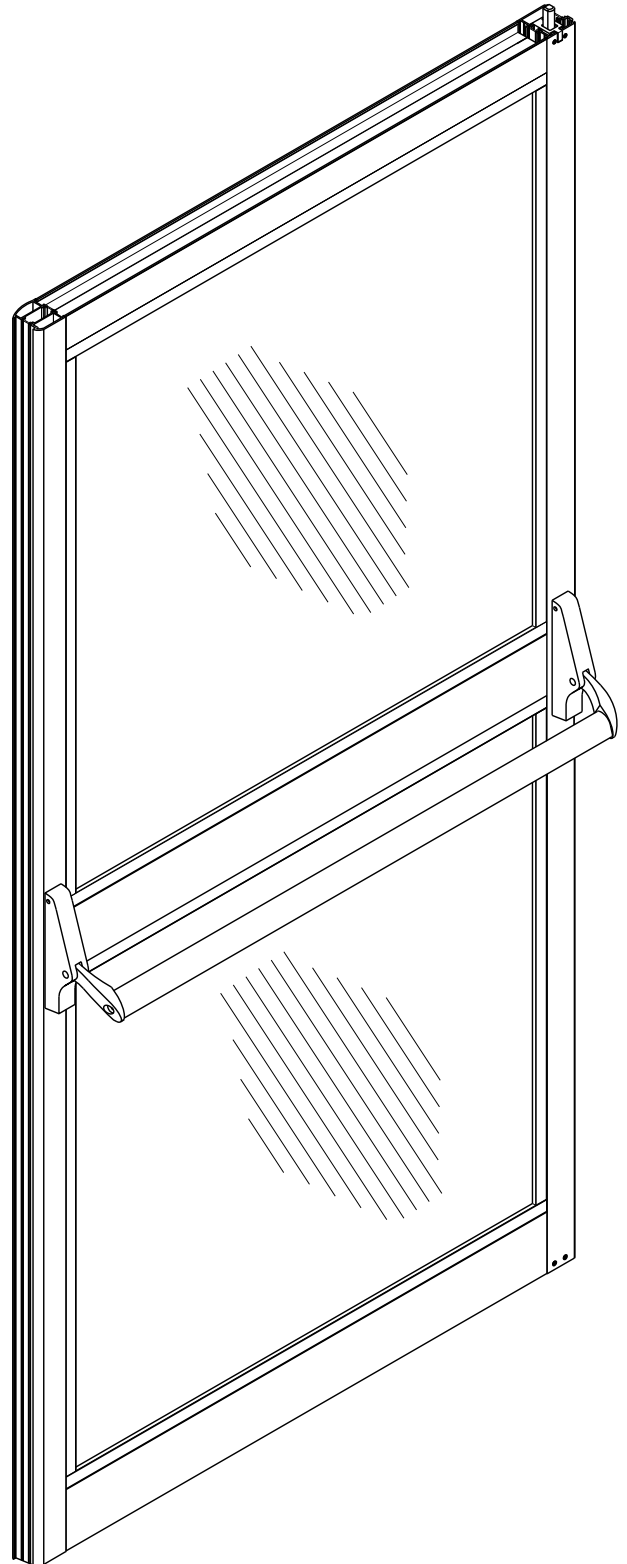
Cylinder Mounting Pad with Locking Ring

Aluminium MP-792-AL

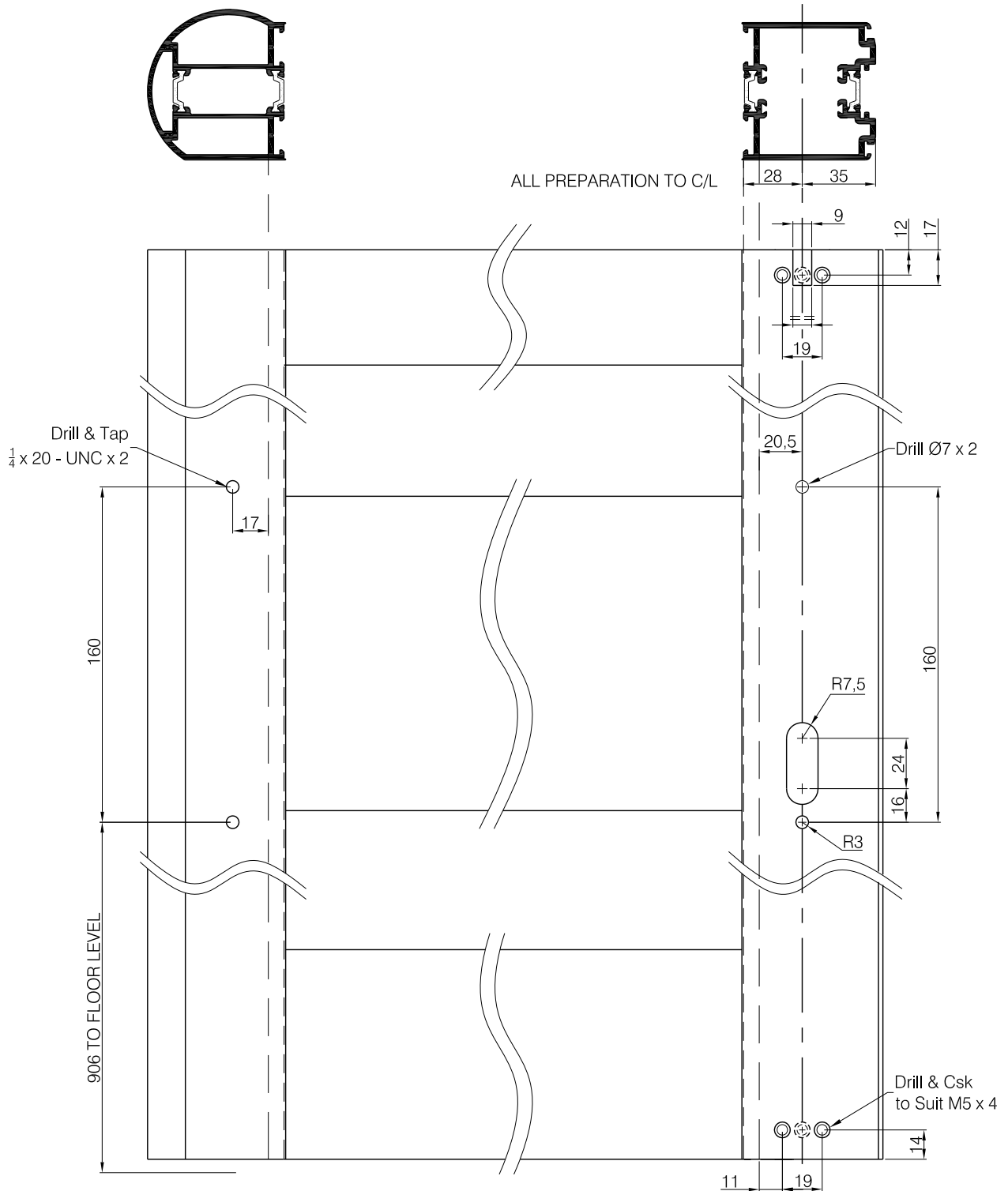
Exposed, knurled dogging pin
Stainless steel DP-713



Alternative Paddle Handle
Aluminium PR-7085-P-AL-RH (Right Handed)
Aluminium PR-7085-P-AL-LH (Left Handed)



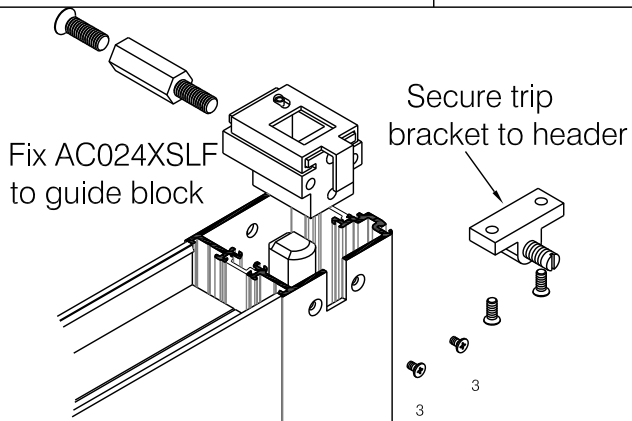
Copyright & ownership of this drawing is vested in COMAR Architectural Aluminium Systems, whose prior written consent is required for its use, reproduction or publication to any third party. All other rights reserved. Subject to modifications without prior notification



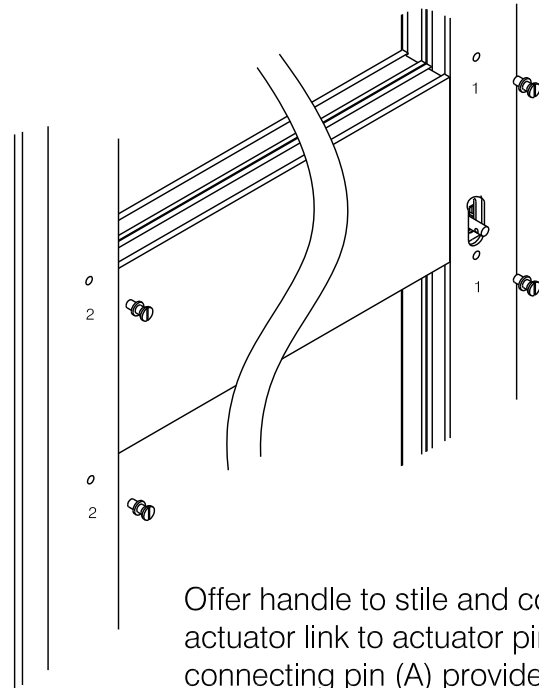
Copyright & ownership of this drawing is vested in COMAR Architectural Aluminium Systems, whose prior written consent is required for its use, reproduction or publication to any third party. All other rights reserved. Subject to modifications without prior notification



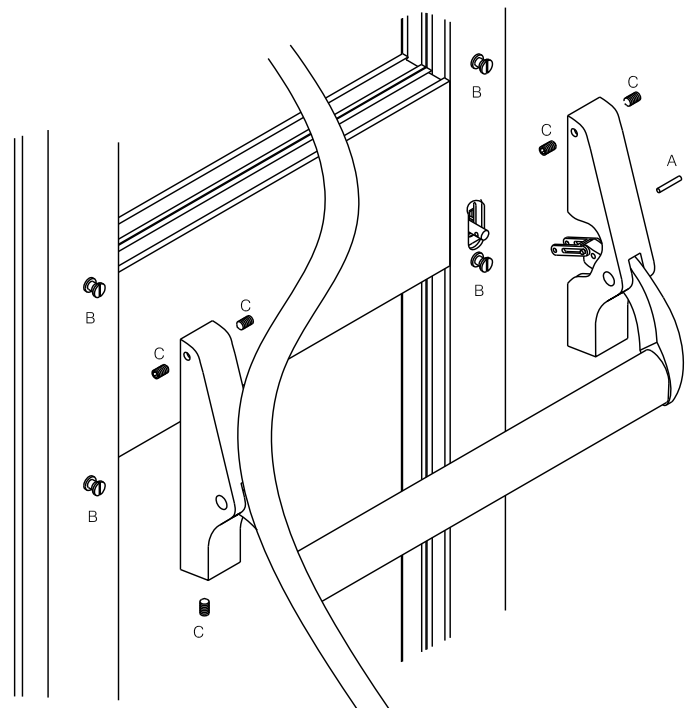
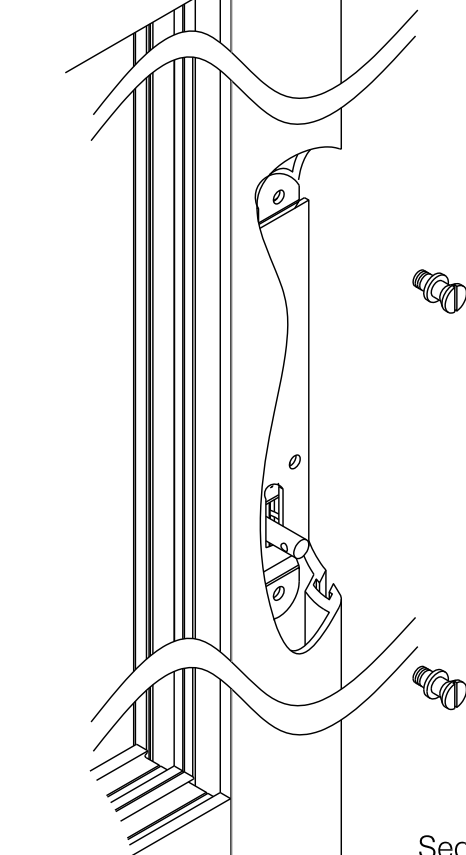
SCALE	N. T. S.	© A4
DATE	25/09/14	
DRAWN	KP/CAD	
DRG. No.	C7Pi-CD-3.33 R0	



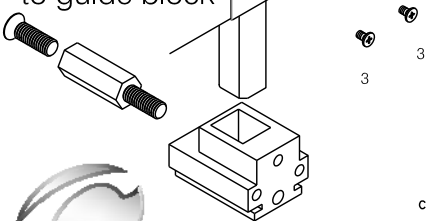
Secure fixing screws (1) thru stile into lock mechanism, and screws (2) into tapped holes in opposite stile.



Offer handle to stile and connect actuator link to actuator pin using connecting pin (A) provided. Position handle onto fixing screws (B) and secure using grub screws (C).



Fix AC024XSFLF to guide block



Copyright & ownership of this drawing is vested in COMAR Architectural Aluminium Systems, whose prior written consent is required for its use, reproduction or publication to any third party. All other rights reserved. Subject to modifications without prior notification.

PR 7000 Series Panic exit device,
Concealed Vertical Rod, Flat Touch Bar.

Aluminium - 42" Wide PR-7100-AL
Black - 42" Wide PR-7100-BK
Aluminium - 48" Wide PR-7100-48-AL

Accessories.

Extension rod with coupler
(300mm extension) RE-712

Rim cylinder lock for 67mm Door Stile
with 7085 Panic Exit Device.
Supplied with 2 keys. (keyed to differ)

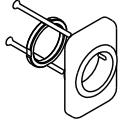
Aluminium RC-791-AL

Rim cylinder lock for 67mm Door Stile
with 7085 Panic Exit Device
Supplied with 2 keys. (keyed alike)

Aluminium RC-791-AL-S

Cylinder Mounting Pad with Locking Ring

Aluminium MP-792-AL

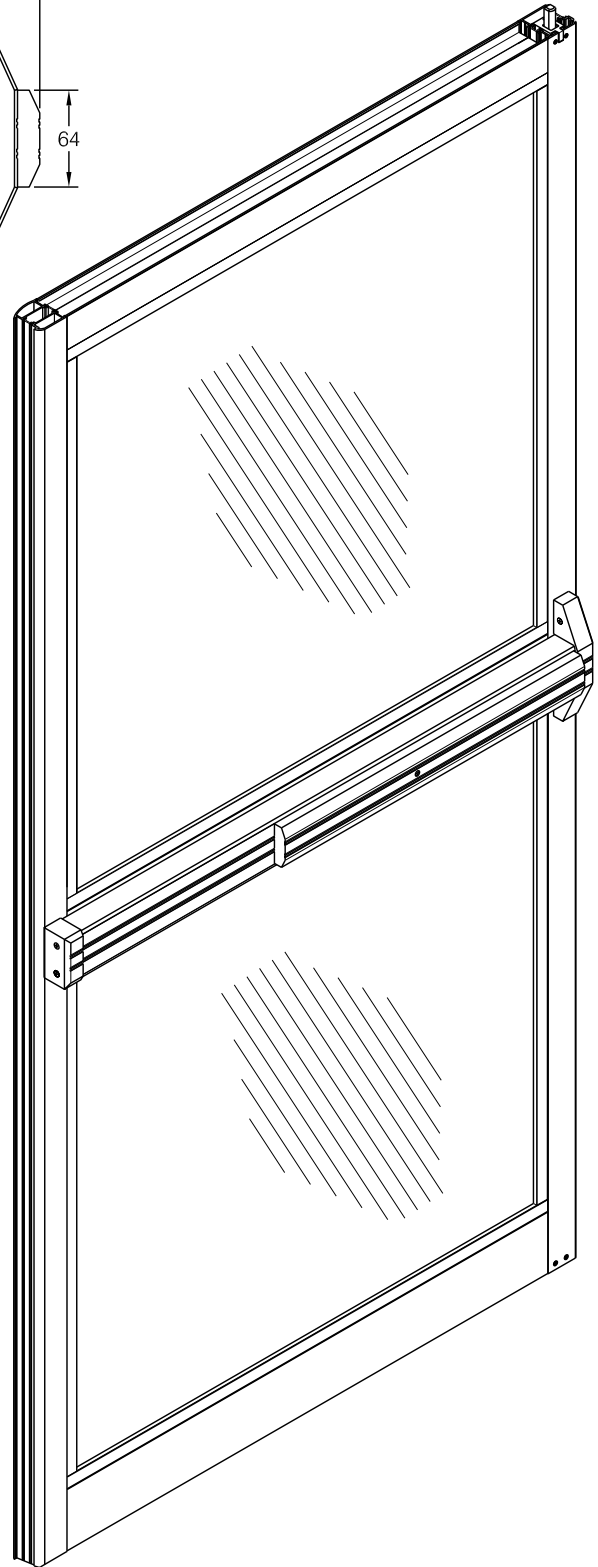
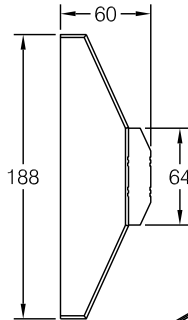
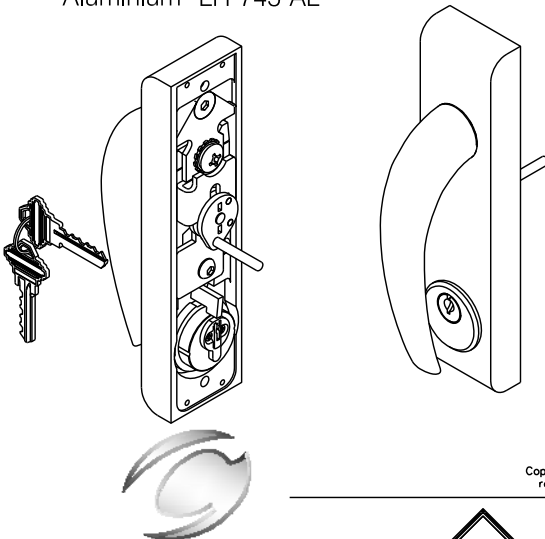


Exposed, knurled dogging pin
Stainless steel DP-713

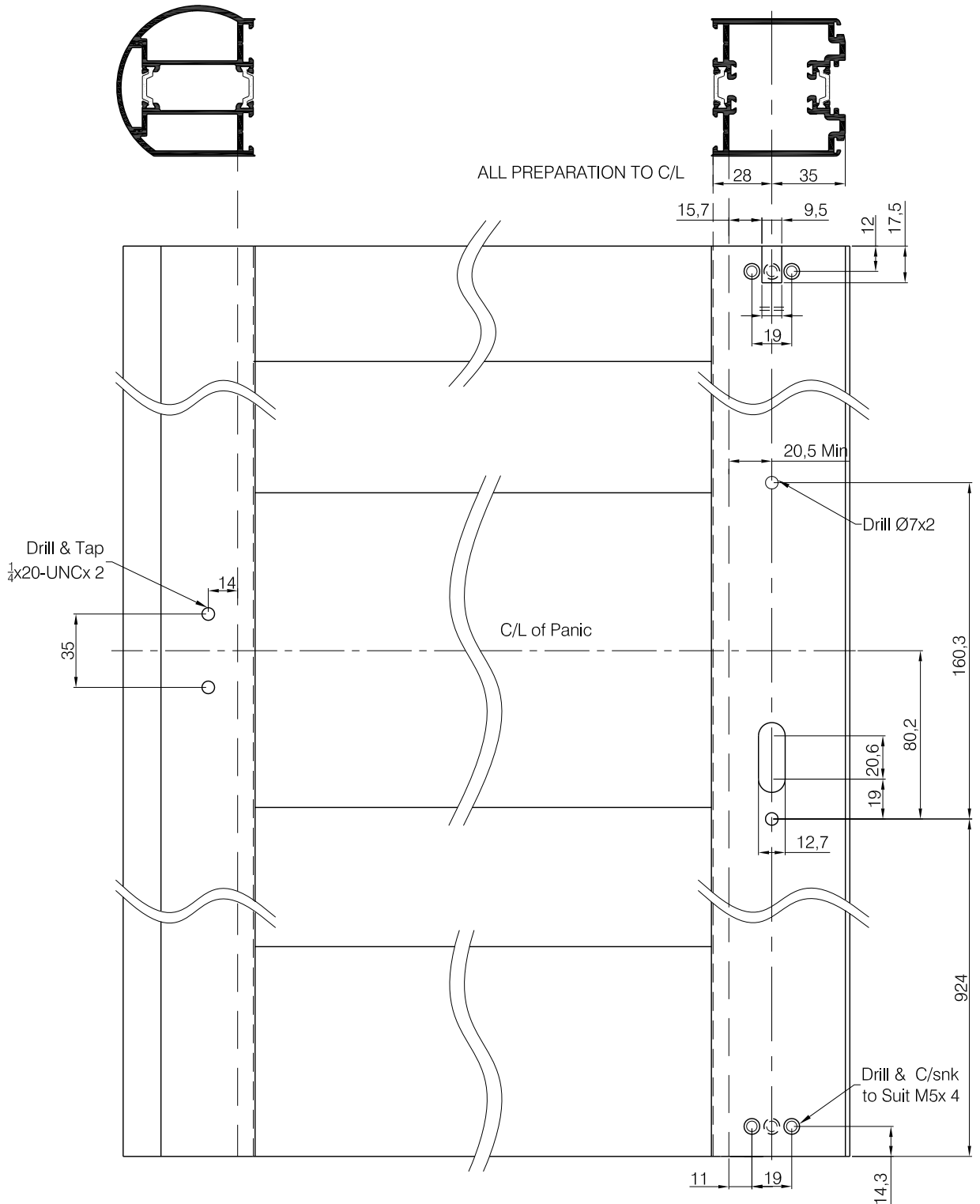


Locking Handle for 67mm Door Stile
with 7100 Panic Exit Device.

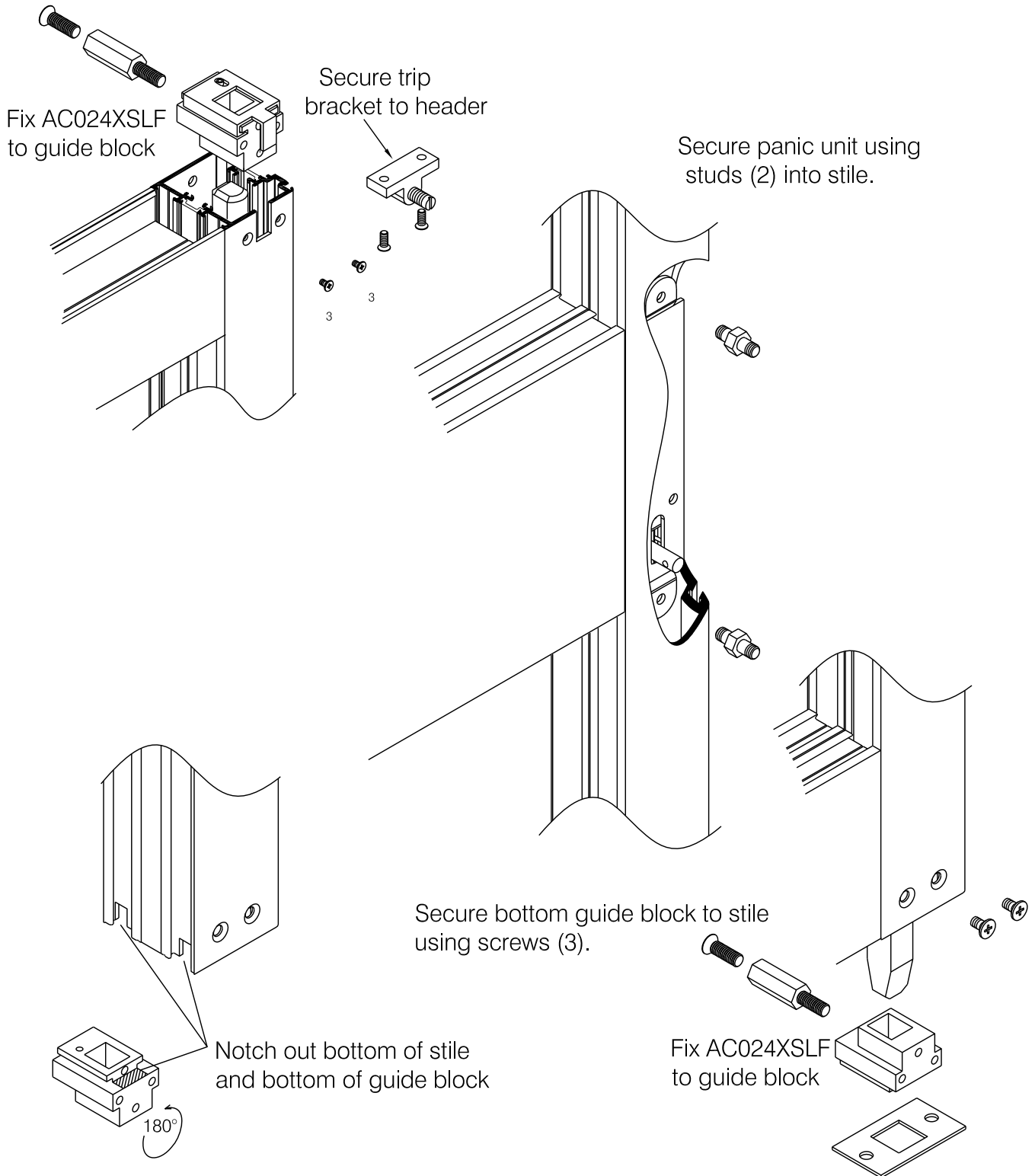
Aluminium LH-745-AL



Copyright & ownership of this drawing is vested in COMAR Architectural Aluminium Systems, whose prior written consent is required for its use, reproduction or publication to any third party. All other rights reserved. Subject to modifications without prior notification

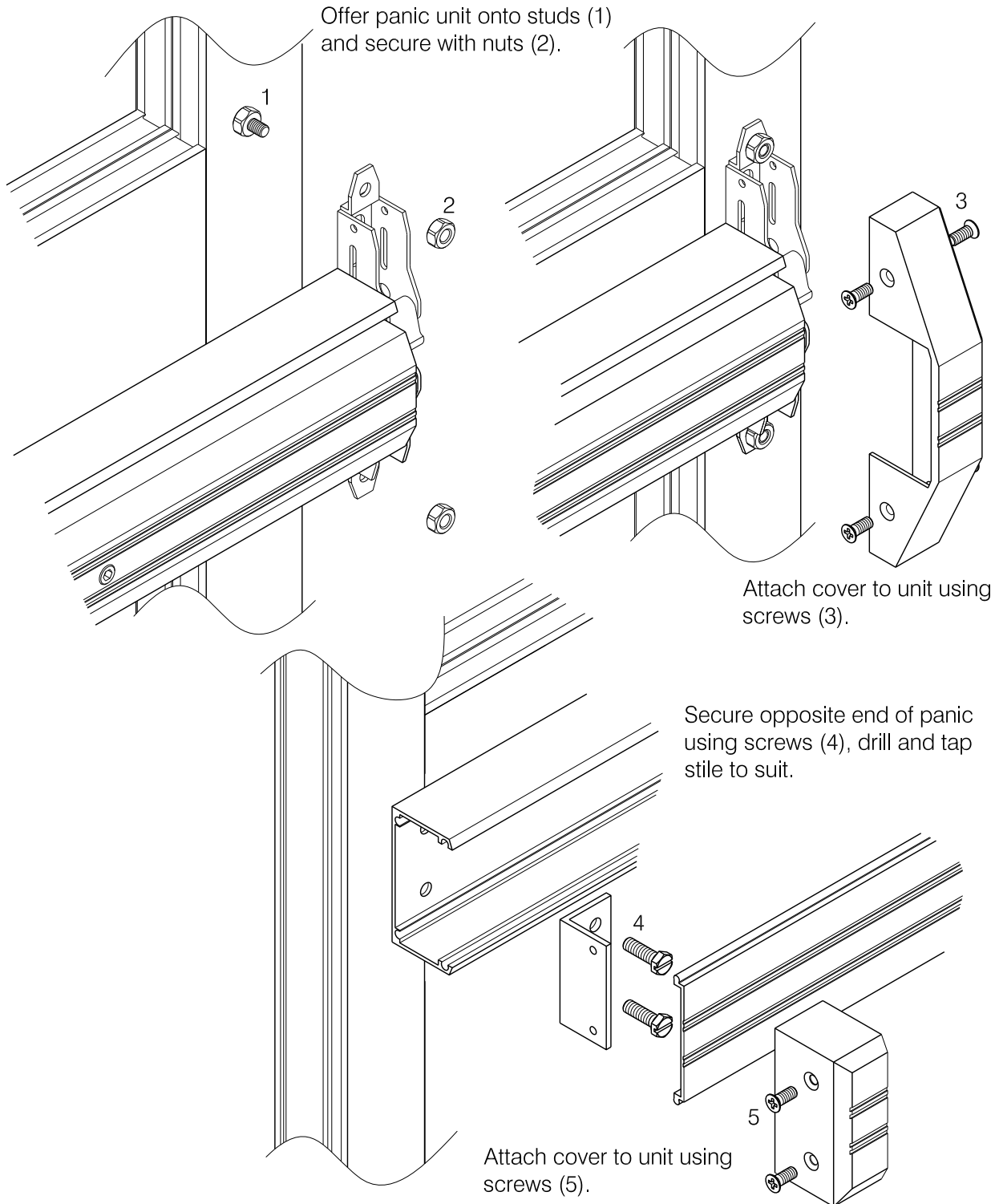


Copyright & ownership of this drawing is vested in COMAR Architectural Aluminium Systems, whose prior written consent is required for its use, reproduction or publication to any third party. All other rights reserved. Subject to modifications without prior notification.



Copyright & ownership of this drawing is vested in COMAR Architectural Aluminium Systems, whose prior written consent is required for its use, reproduction or publication to any third party. All other rights reserved. Subject to modifications without prior notification

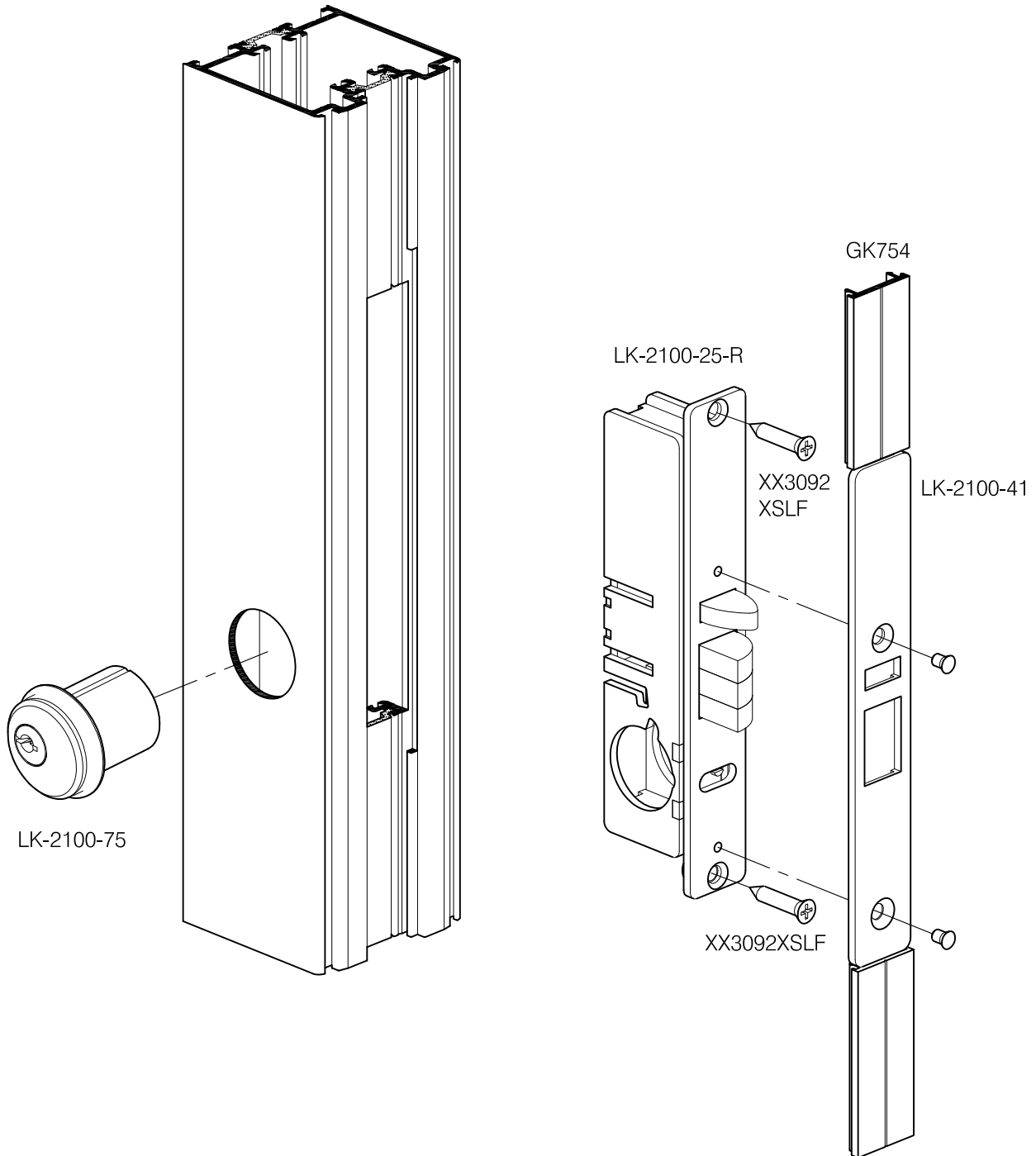
SCALE	N.T.S	© A4
DATE	12/11/19	
DRAWN	KP/NRA	
DRG. No.	C7Pi-CD-3.37	R1



Copyright & ownership of this drawing is vested in COMAR Architectural Aluminium Systems, whose prior written consent is required for its use, reproduction or publication to any third party. All other rights reserved. Subject to modifications without prior notification



SCALE	N.T.S	© A4
DATE	25/09/14	
DRAWN	KP/CAD	
DRG. No.	C7Pi-CD-3.38	RO



Copyright & ownership of this drawing is vested in COMAR Architectural Aluminium Systems, whose prior written consent is required for its use, reproduction or publication to any third party. All other rights reserved. Subject to modifications without prior notification.

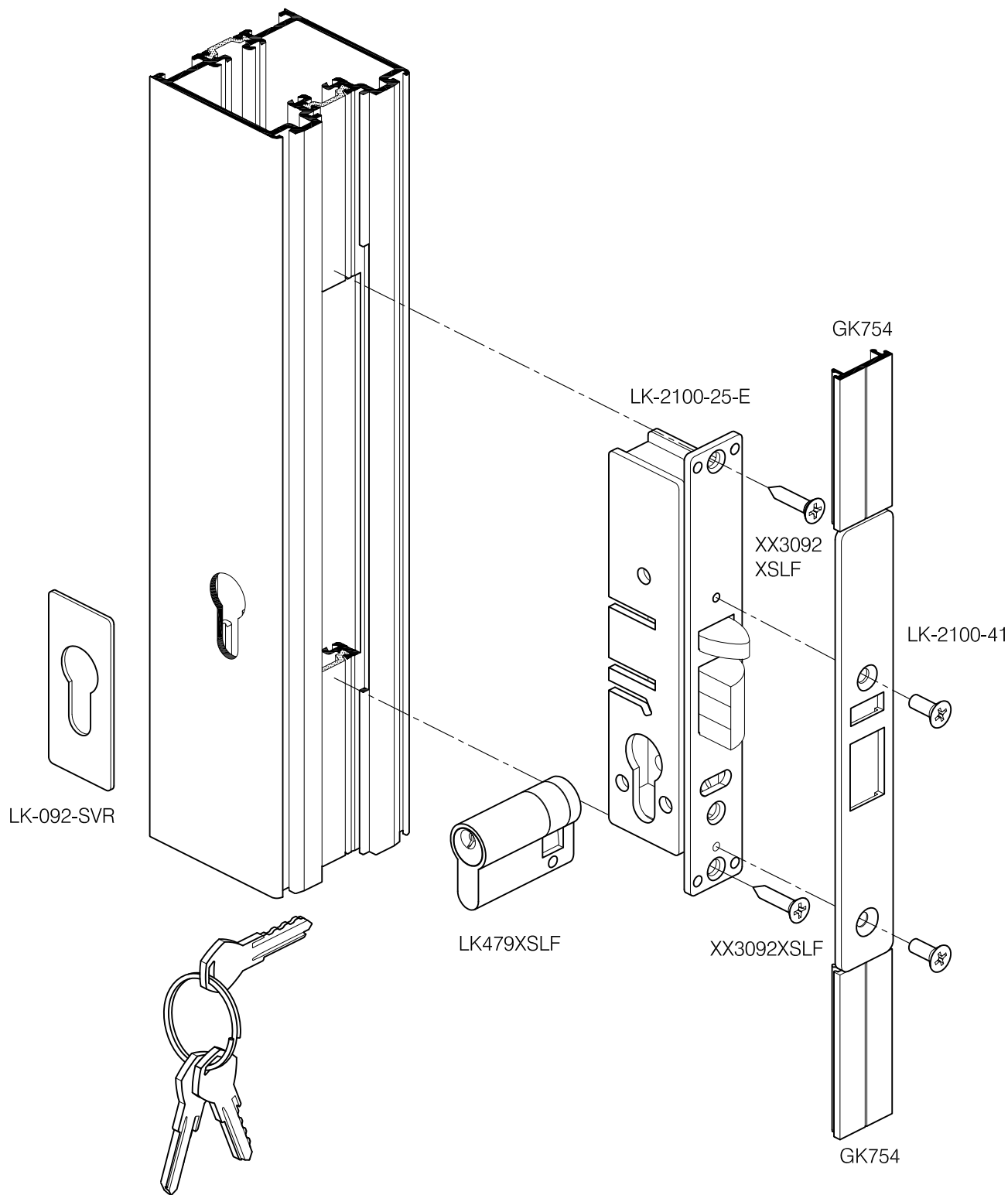


comar
ARCHITECTURAL ALUMINIUM SYSTEMS

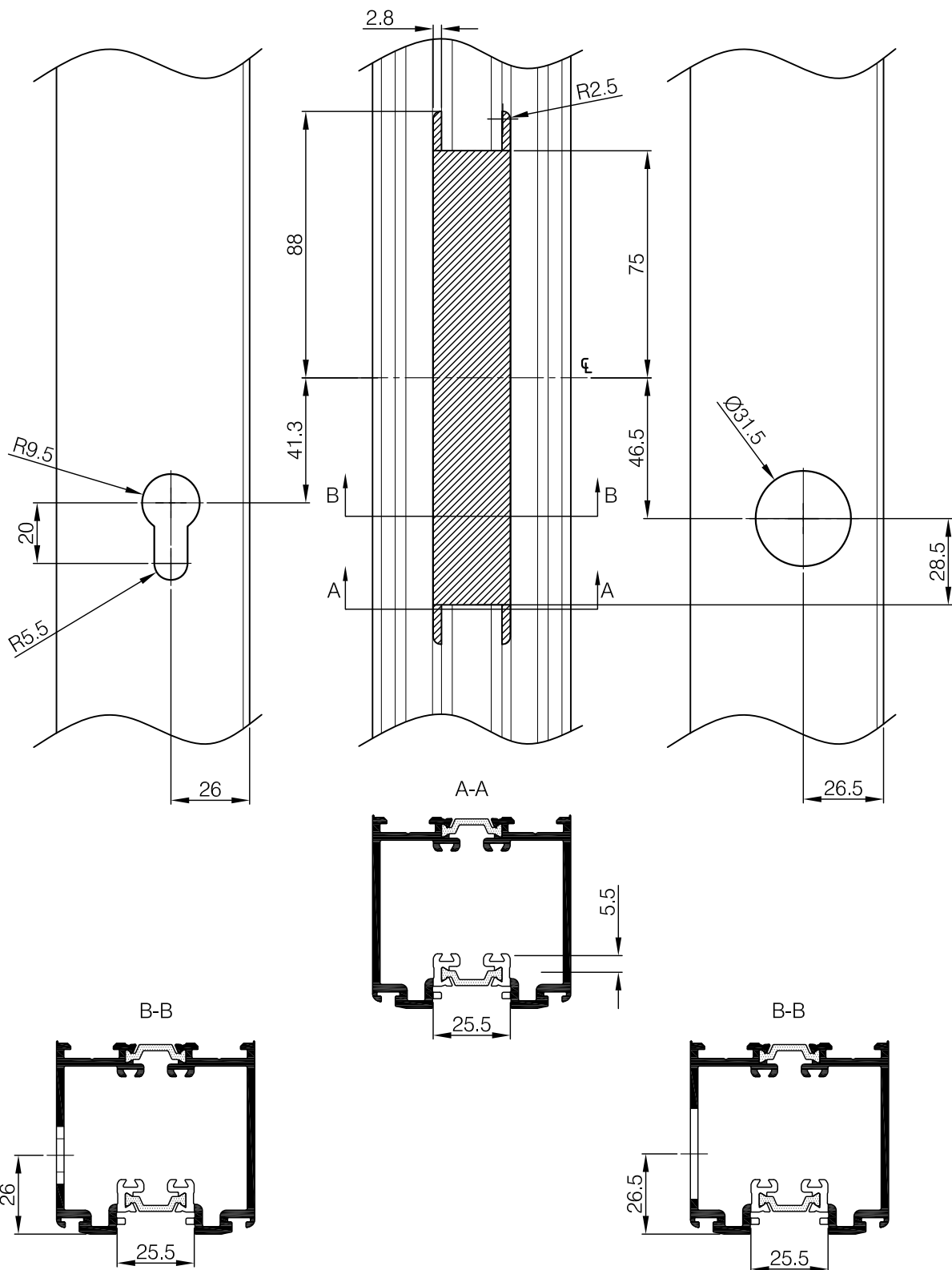


THE PARKSIDE GROUP LTD
UNIT 5 ° THE WILLOW CENTRE
17 WILLOW LANE ° MITCHAM
SURREY ° CR4 4NX
Tel: 020-8685 9685 Fax: 020-8687 1142
Email: technical@parksidegrp.co.uk
Web Site: <http://www.comar-alu.co.uk>

SCALE	NTS	© A4
DATE	14/03/2016	
DRAWN	KP/CAD	
DRG. No.	C7-Pi-CD 3.39	



Copyright & ownership of this drawing is vested in COMAR Architectural Aluminium Systems, whose prior written consent is required for its use, reproduction or publication to any third party. All other rights reserved. Subject to modifications without prior notification.



Copyright & ownership of this drawing is vested in COMAR Architectural Aluminium Systems, whose prior written consent is required for its use, reproduction or publication to any third party. All other rights reserved. Subject to modifications without prior notification.

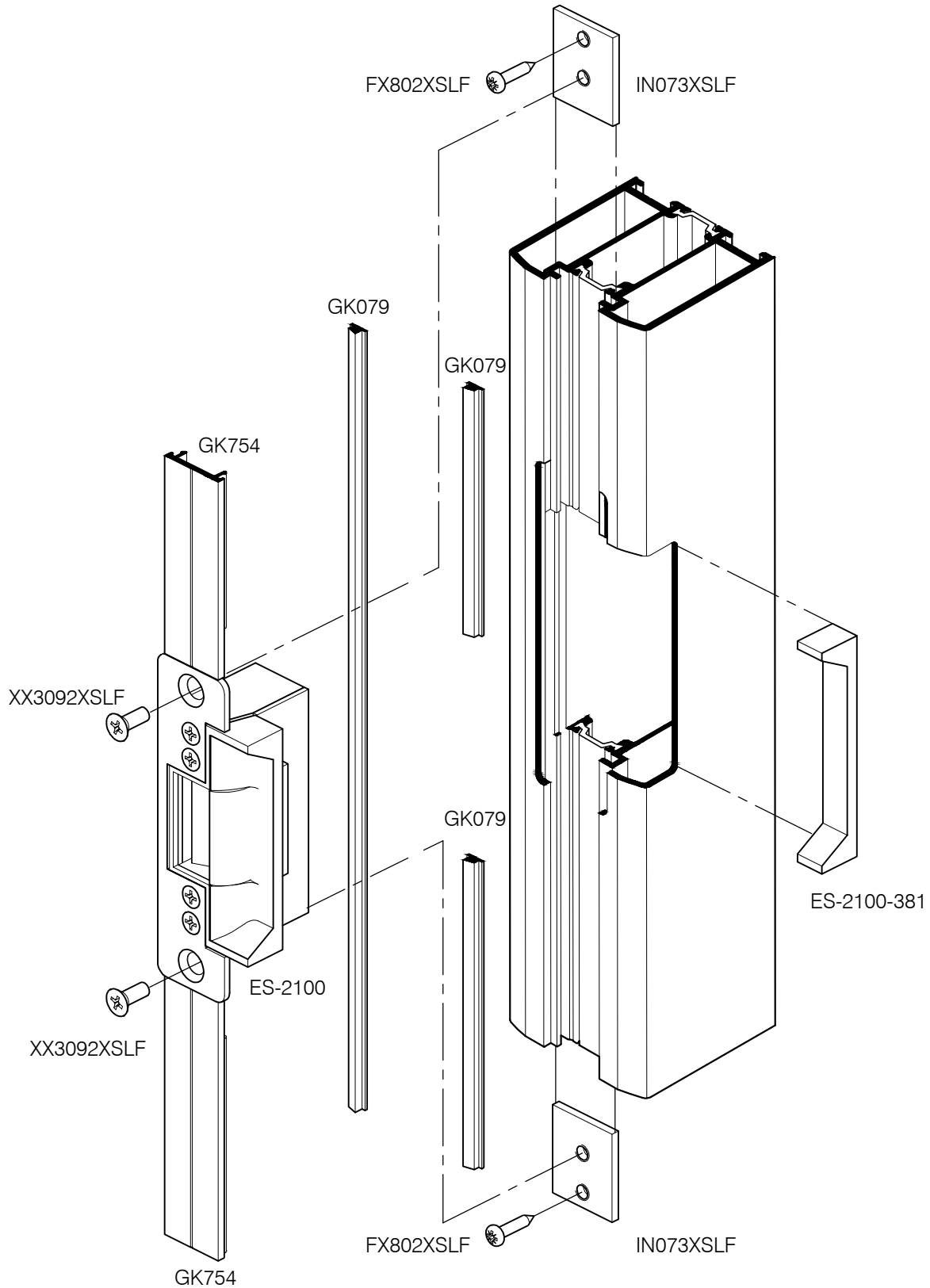


comar
ARCHITECTURAL ALUMINIUM SYSTEMS



THE PARKSIDE GROUP LTD
UNIT 5 ° THE WILLOW CENTRE
17 WILLOW LANE ° MITCHAM
SURREY ° CR4 4NX
Tel: 020-8685 9685 Fax: 020-8687 1142
Email: technical@parksidegrp.co.uk
Web Site: <http://www.comar-alu.co.uk>

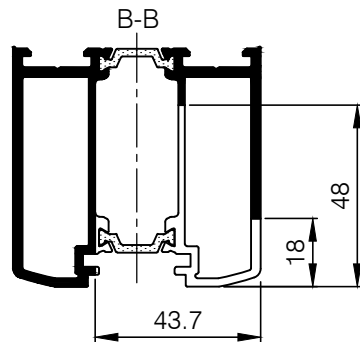
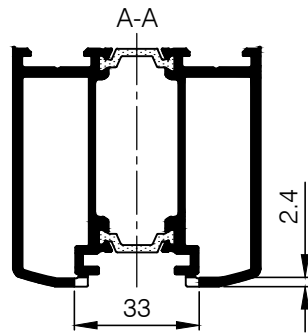
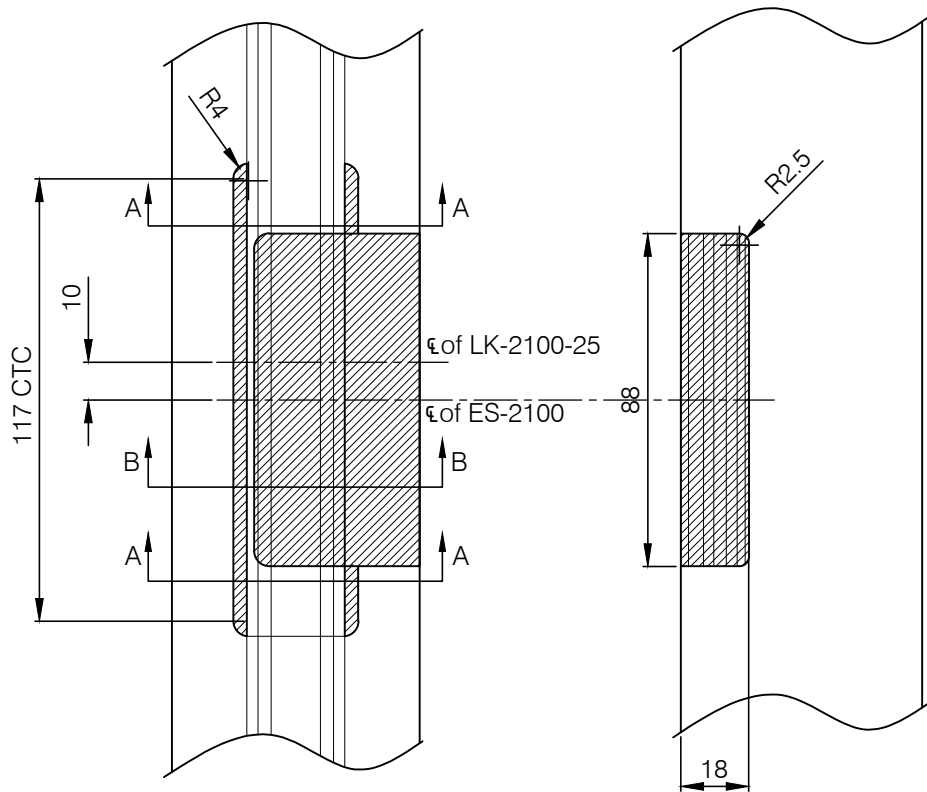
SCALE	NTS	© A4
DATE	14/03/2016	
DRAWN	KP/CAD	
DRG. No.	C7-Pi-CD	3.41



Copyright & ownership of this drawing is vested in COMAR Architectural Aluminium Systems, whose prior written consent is required for its use, reproduction or publication to any third party. All other rights reserved. Subject to modifications without prior notification.



SCALE	NTS	© A4
DATE	01/12/2016	
DRAWN	KP/NRA	
DRG. No.	C7-Pi-CD 3.42 R1	



Copyright & ownership of this drawing is vested in COMAR Architectural Aluminium Systems, whose prior written consent is required for its use, reproduction or publication to any third party. All other rights reserved. Subject to modifications without prior notification.

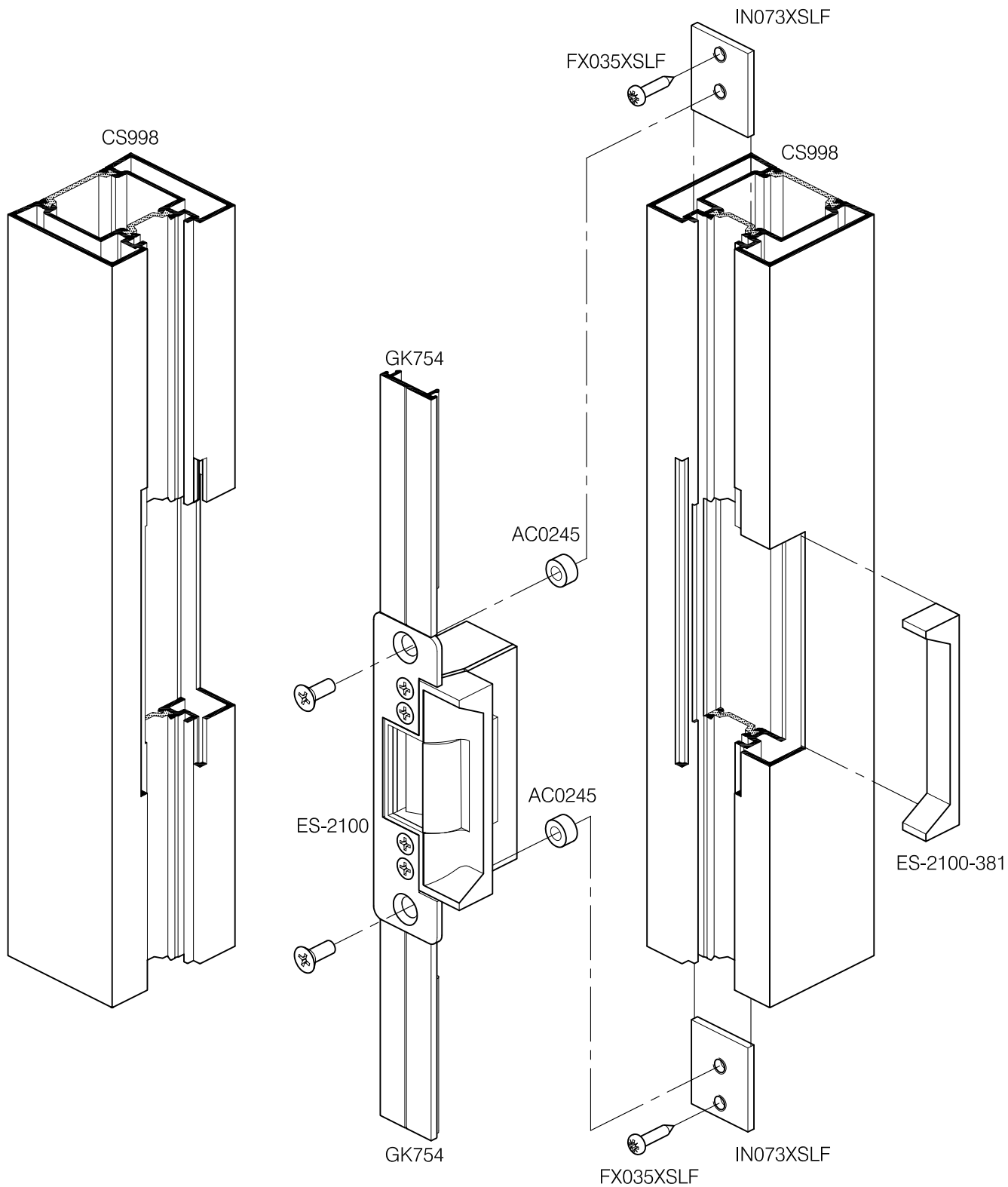


comar
ARCHITECTURAL ALUMINIUM SYSTEMS



THE PARKSIDE GROUP LTD
UNIT 5 ° THE WILLOW CENTRE
17 WILLOW LANE ° MITCHAM
SURREY ° CR4 4NX
Tel: 020-8685 9685 Fax: 020-8687 1142
Email: technical@parksidegrp.co.uk
Web Site: <http://www.comar-alu.co.uk>

SCALE	NTS	© A4
DATE	14/03/2016	
DRAWN	KP/CAD	
DRG. No.	C7-Pi-CD 3.43 R1	



Copyright & ownership of this drawing is vested in COMAR Architectural Aluminium Systems, whose prior written consent is required for its use, reproduction or publication to any third party. All other rights reserved. Subject to modifications without prior notification.

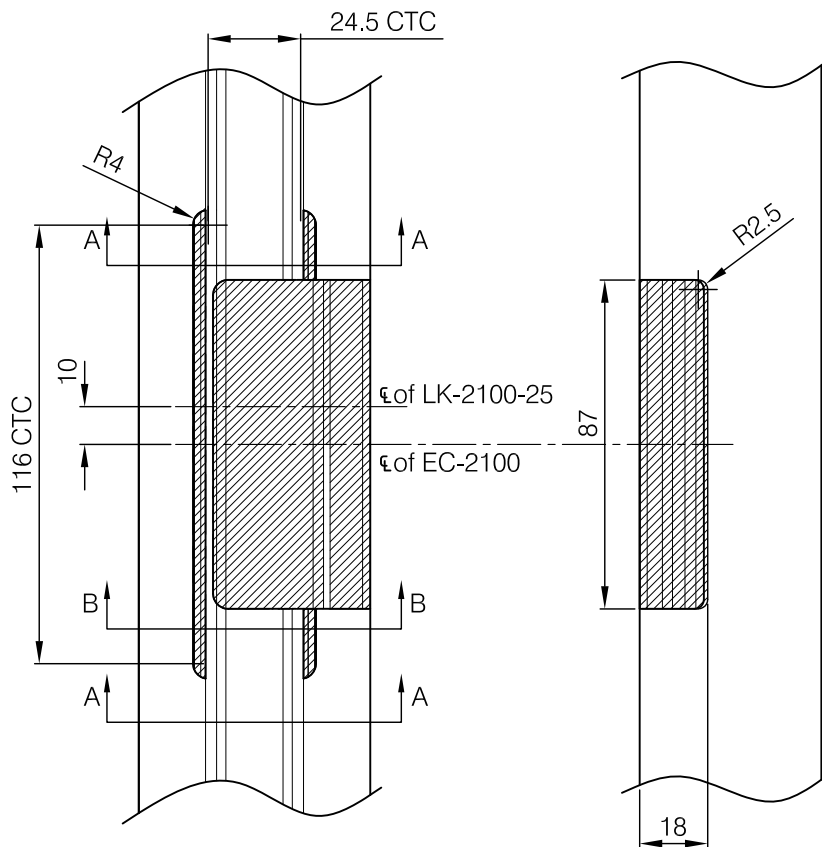


comar
ARCHITECTURAL ALUMINIUM SYSTEMS

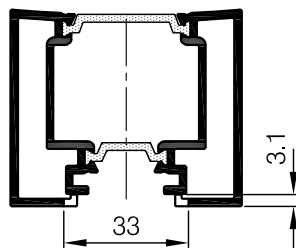


THE PARKSIDE GROUP LTD
UNIT 5 ° THE WILLOW CENTRE
17 WILLOW LANE ° MITCHAM
SURREY ° CR4 4NX
Tel: 020-8685 9685 Fax: 020-8687 1142
Email: technical@parksidegrp.co.uk
Web Site: <http://www.comar-alu.co.uk>

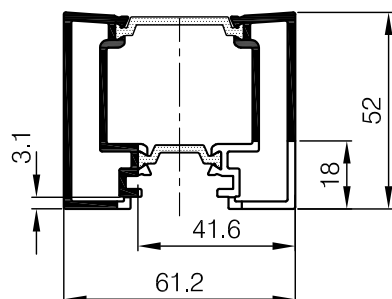
SCALE	NTS	© A4
DATE	14/03/2016	
DRAWN	KP/CAD	
DRG. No.	C7-Pi-CD 3.44	



A-A



B-B



Copyright & ownership of this drawing is vested in COMAR Architectural Aluminium Systems, whose prior written consent is required for its use, reproduction or publication to any third party. All other rights reserved. Subject to modifications without prior notification.

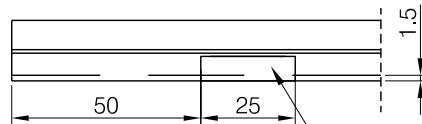
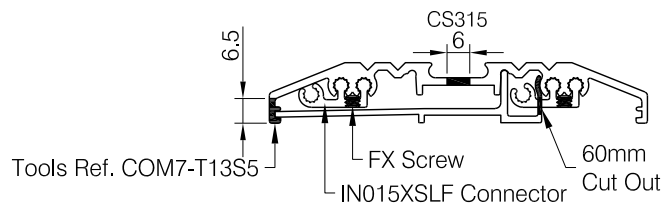
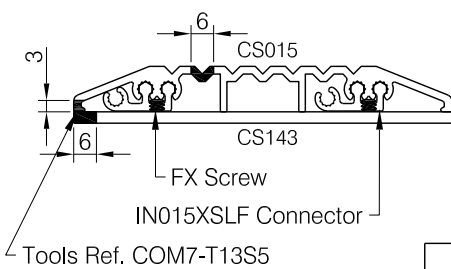
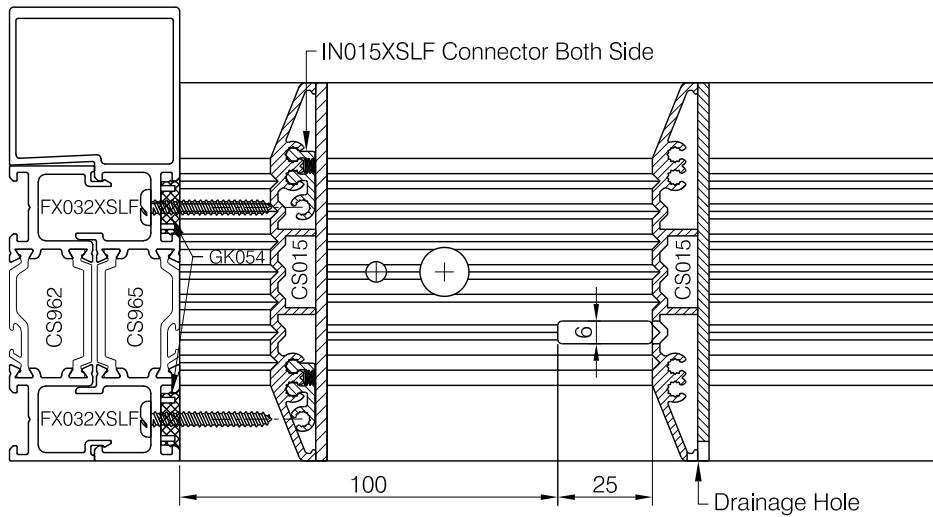
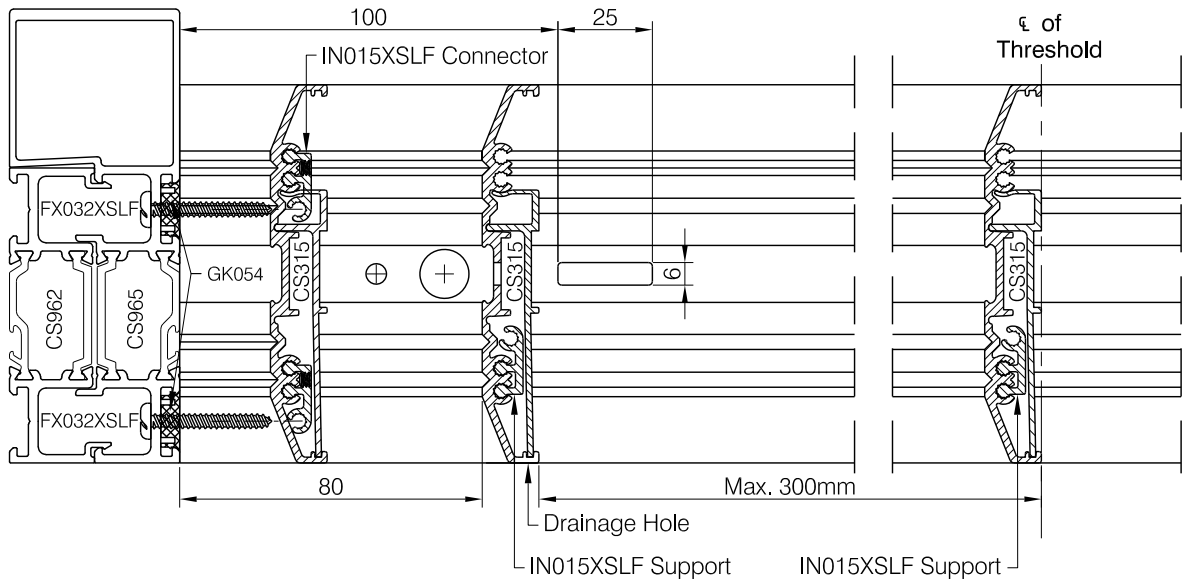


comar
ARCHITECTURAL ALUMINIUM SYSTEMS

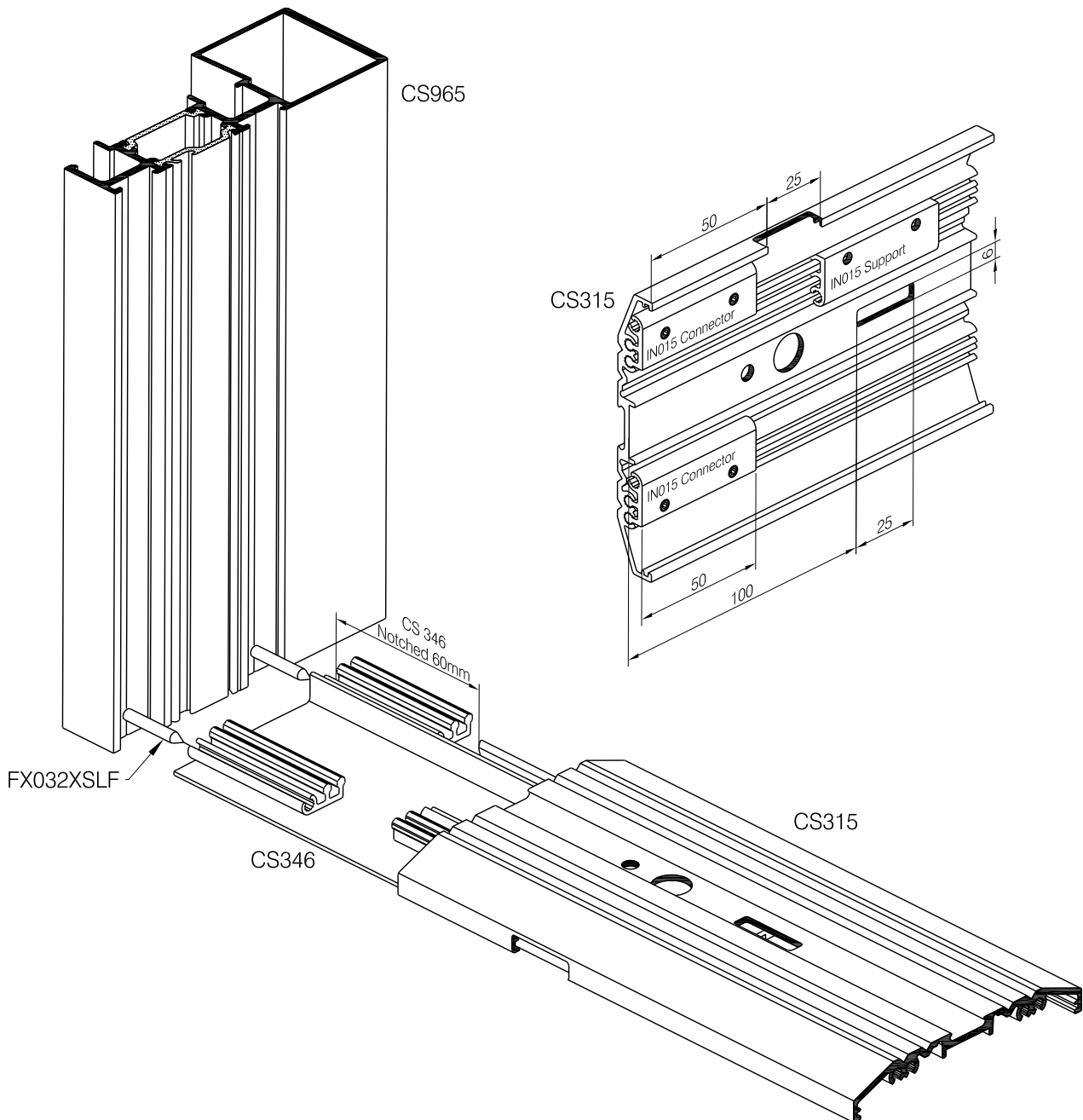


THE PARKSIDE GROUP LTD
UNIT 5 ° THE WILLOW CENTRE
17 WILLOW LANE ° MITCHAM
SURREY ° CR4 4NX
Tel: 020-8685 9685 Fax: 020-8687 1142
Email: technical@parksidegrp.co.uk
Web Site: <http://www.comar-alu.co.uk>

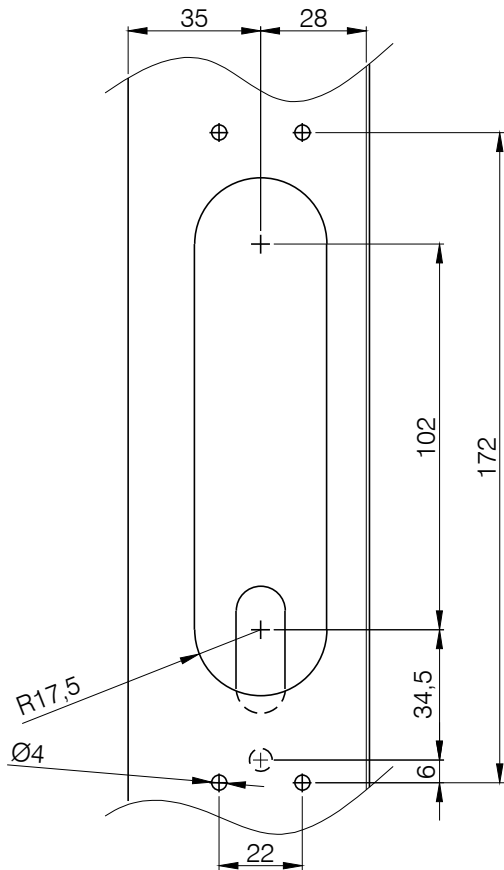
SCALE	NTS	© A4
DATE	14/03/2016	
DRAWN	KP/CAD	
DRG. No.	C7-Pi-CD 3.45	



Copyright & ownership of this drawing is vested in COMAR Architectural Aluminium Systems, whose prior written consent is required for its use, reproduction or publication to any third party. All other rights reserved. Subject to modifications without prior notification



SCALE	2:1	© A4
DATE	19/07/19	
DRAWN	KP/NRA	
DRG. No.	C7Pi-CD-3.47 R1	

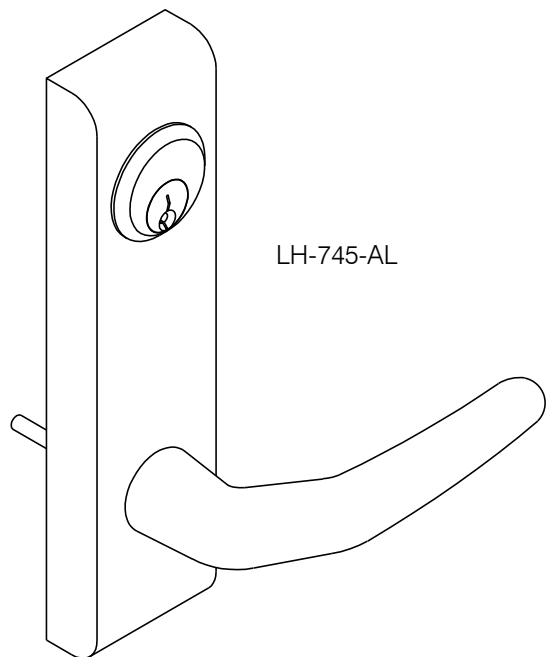
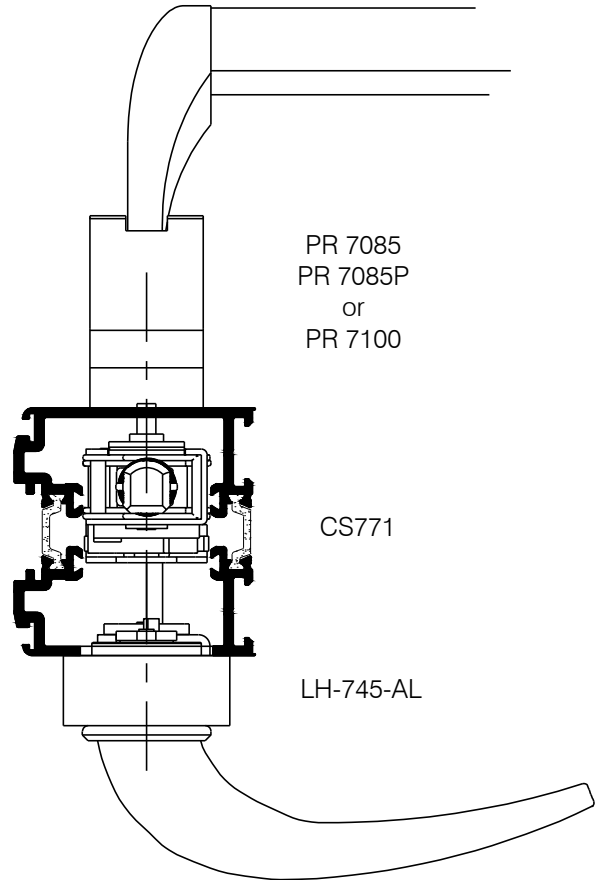


Cutting Prep to fit to outer face. Dashed lines indicate panic exit position (34.5 & 6)

Key Controlled Outside sprung lever handle for use with PR7085, PR7085P, and PR7100 concealed rod Panic Devices.

Uses Axim screw in Mortice cylinder with MS type CAM .

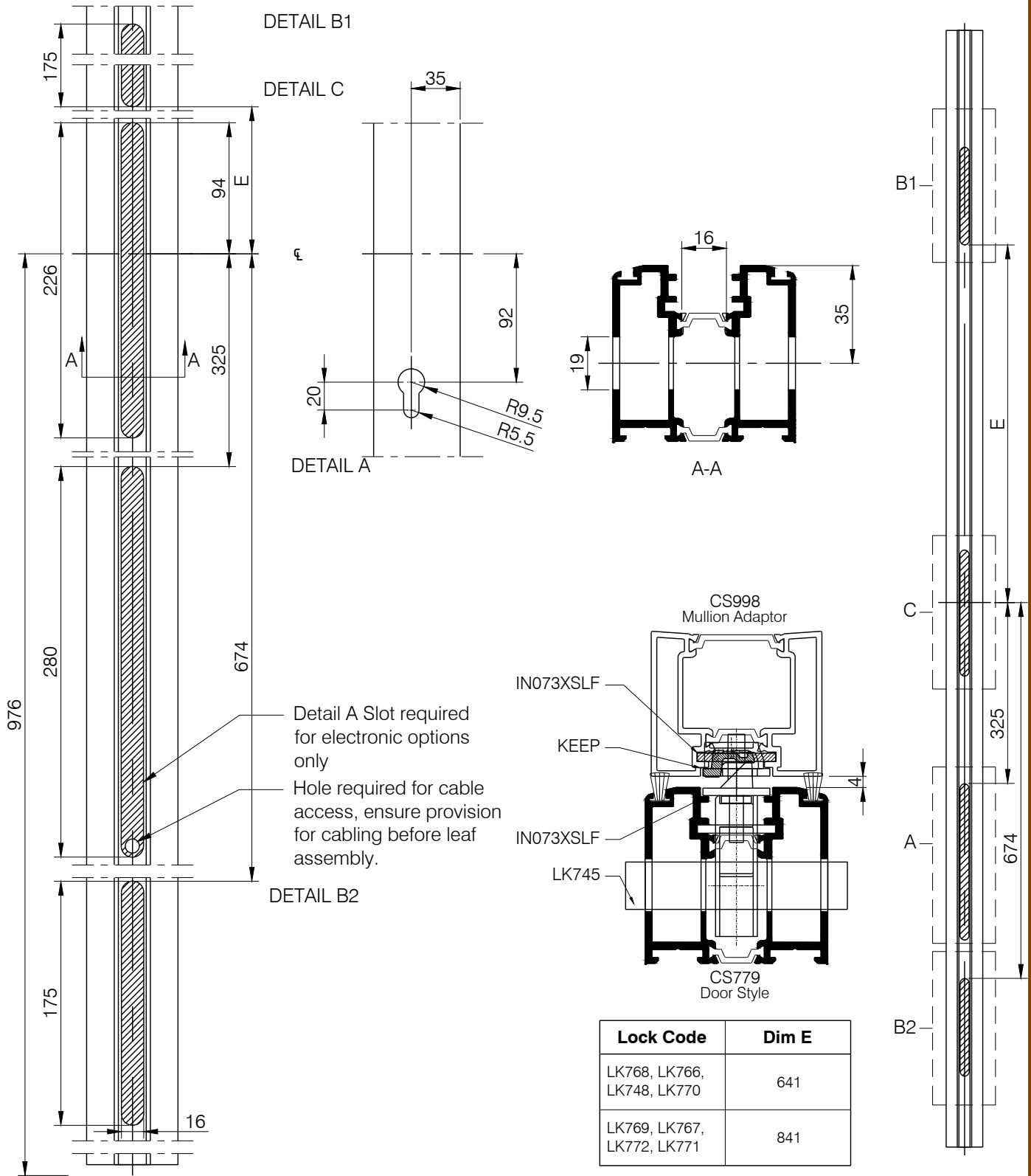
Non handed. (Field reversible).



Copyright & ownership of this drawing is vested in COMAR Architectural Aluminium Systems, whose prior written consent is required for its use, reproduction or publication to any third party. All other rights reserved. Subject to modifications without prior notification



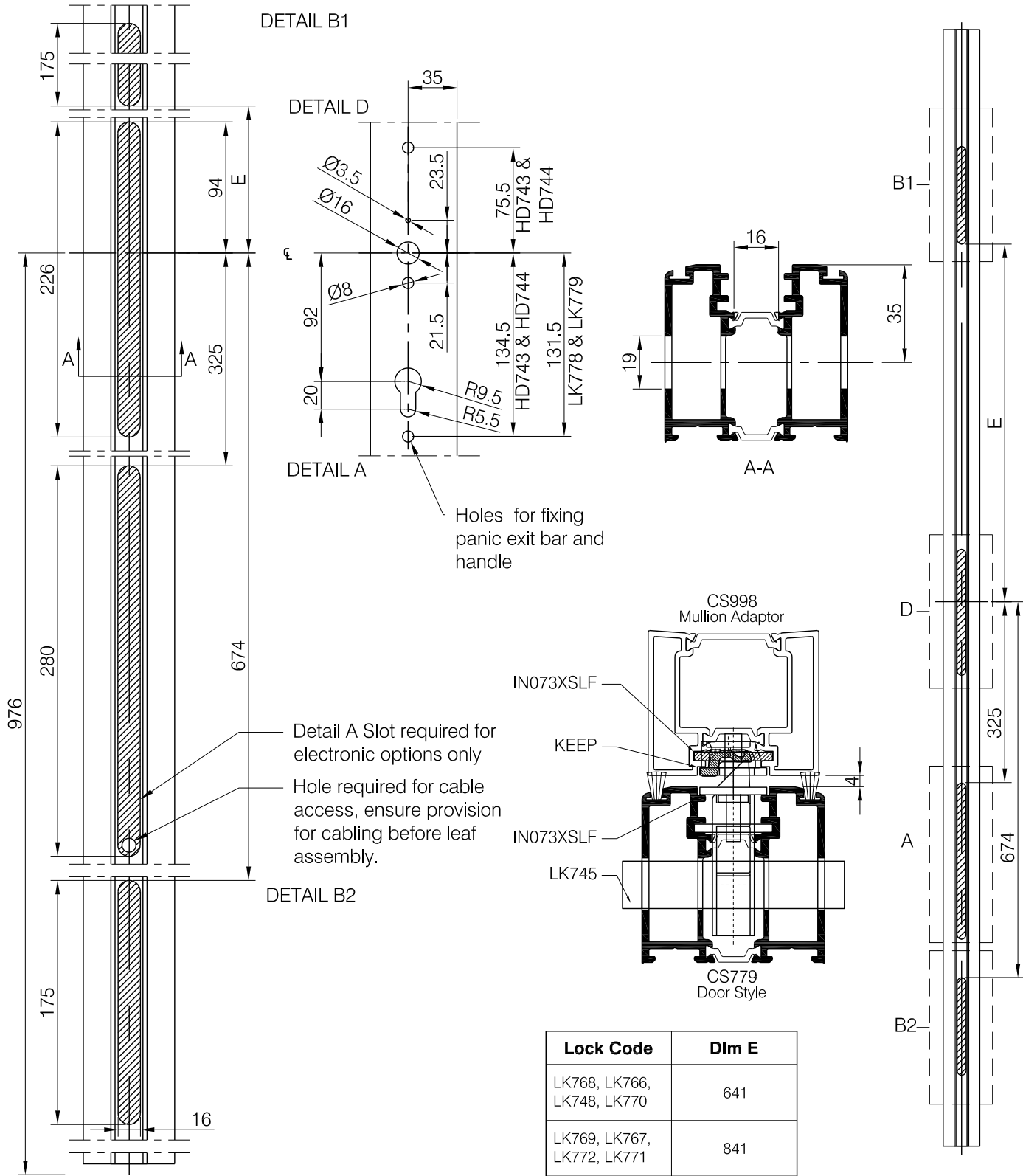
SCALE	N.T.S.	© A4
DATE	01/12/16	
DRAWN	NRA	
DRG. No.	C7Pi-CD-3.48	RO



Copyright & ownership of this drawing is vested in COMAR Architectural Aluminium Systems, whose prior written consent is required for its use, reproduction or publication to any third party. All other rights reserved. Subject to modifications without prior notification



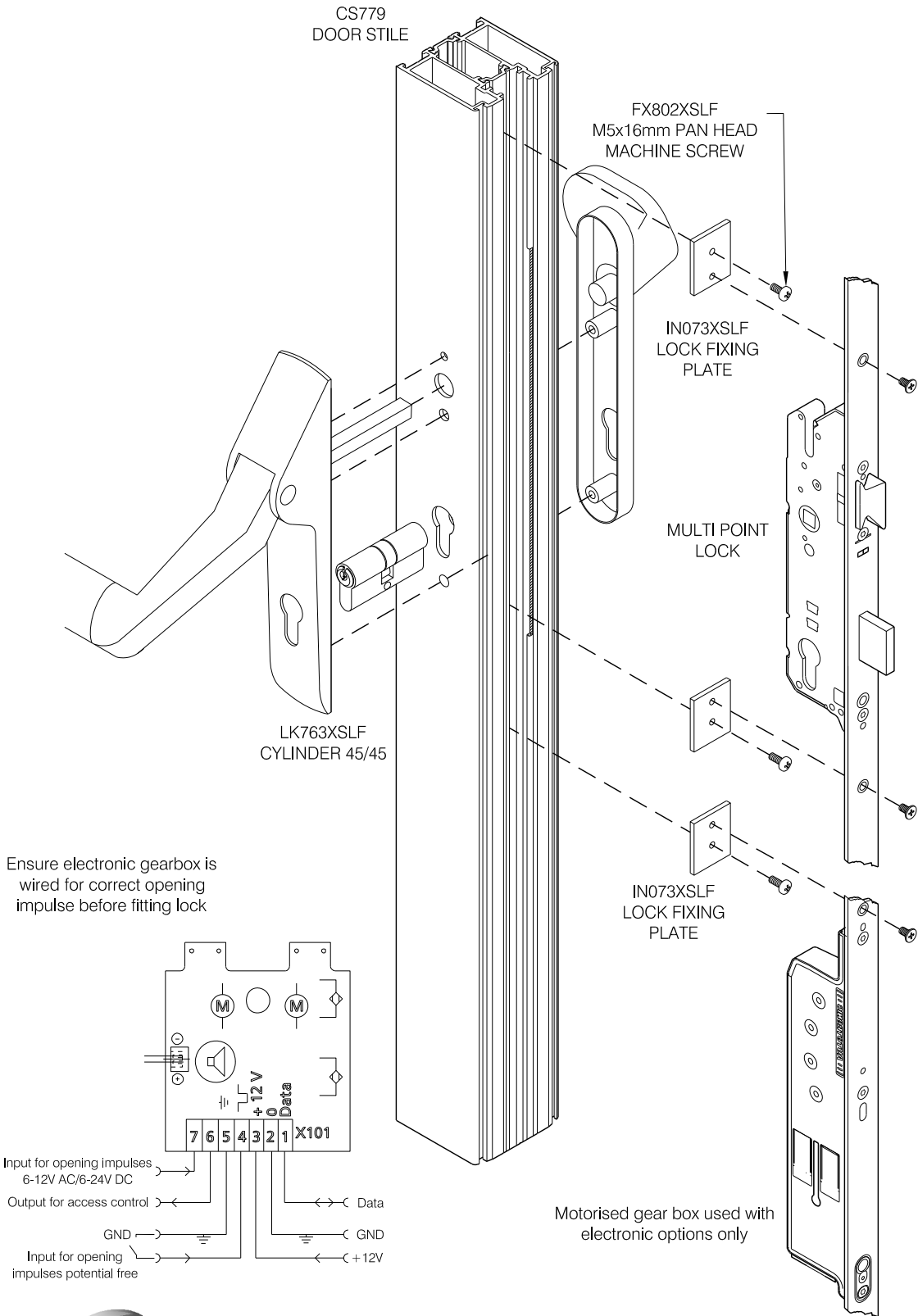
SCALE	1:2	© A4
DATE	15/03/2019	
DRAWN	NRA/BB	
DRG. No.	C7Pi-CD-3.49 R2	



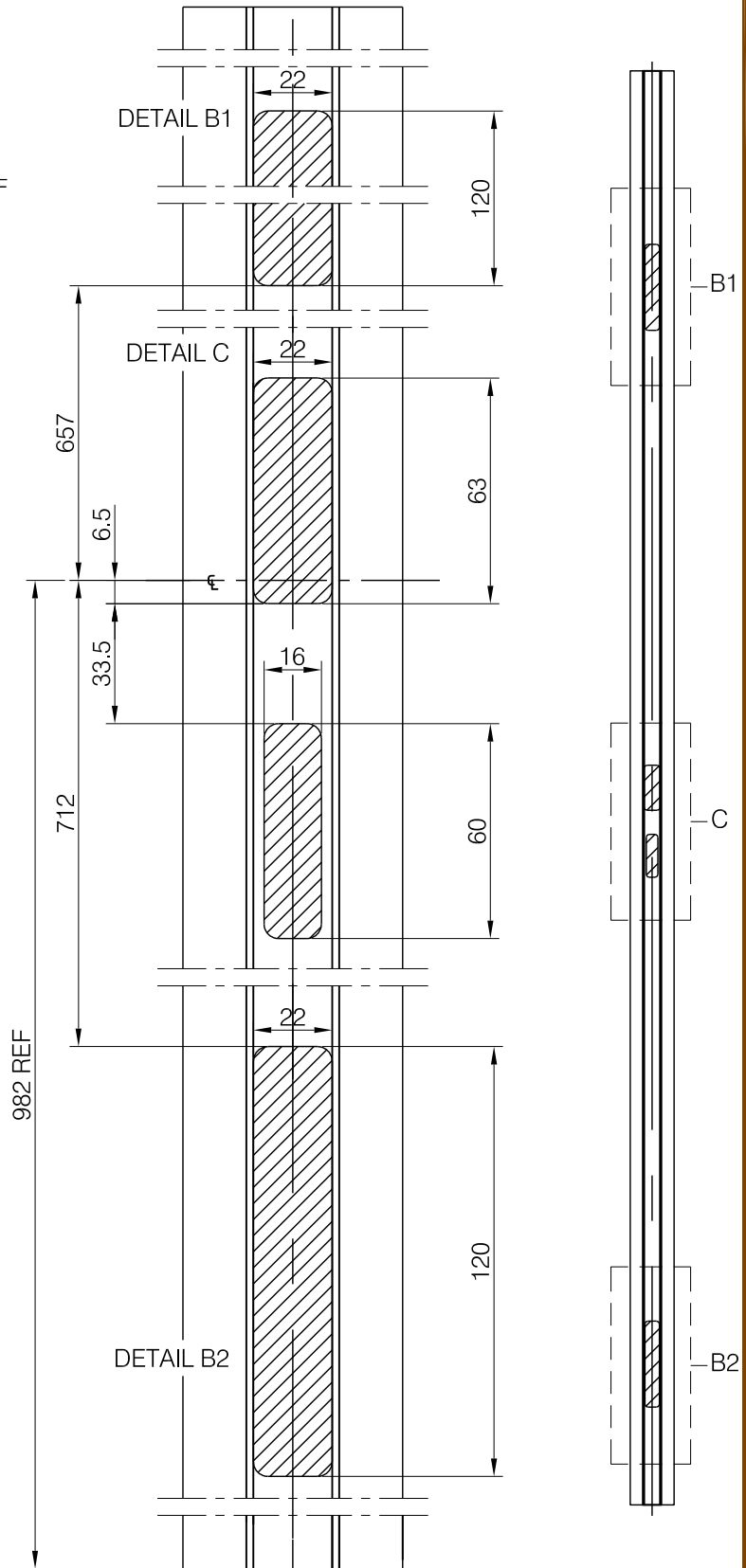
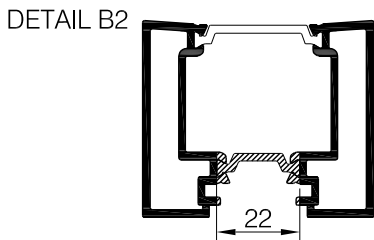
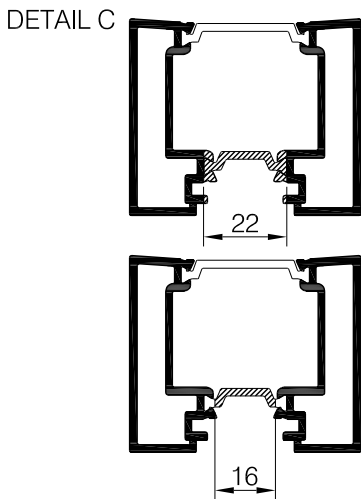
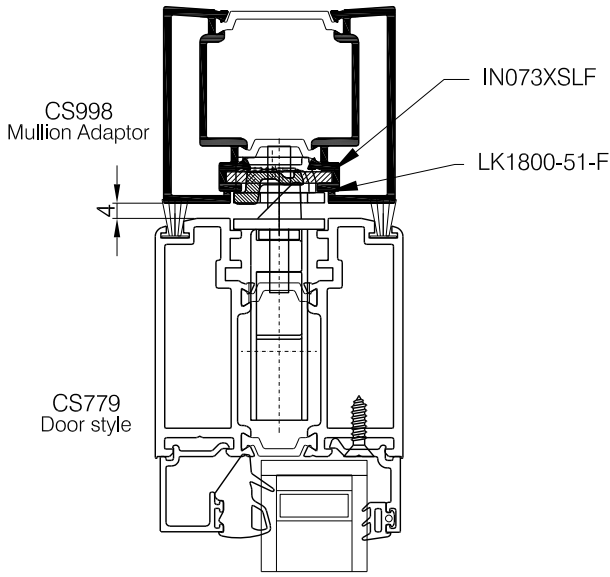
Lock Code	Dim E
LK768, LK766, LK748, LK770	641
LK769, LK767, LK772, LK771	841

Copyright & ownership of this drawing is vested in COMAR Architectural Aluminium Systems, whose prior written consent is required for its use, reproduction or publication to any third party. All other rights reserved. Subject to modifications without prior notification.

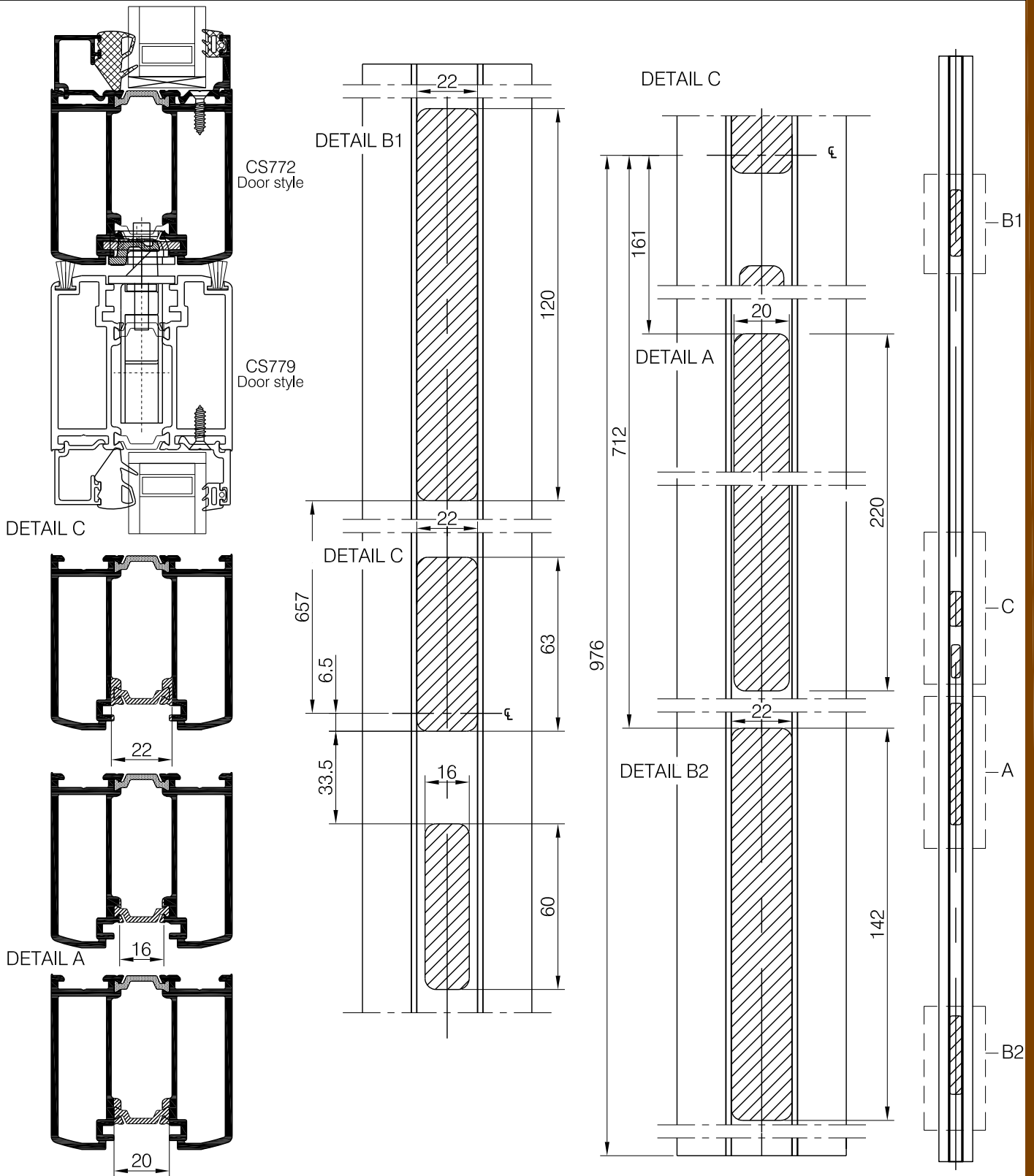
SCALE	1: 2	© A4
DATE	06/07/2020	
DRAWN	NRA/BB	
DRG. No.	C7Pi-CD-3.50 R3	



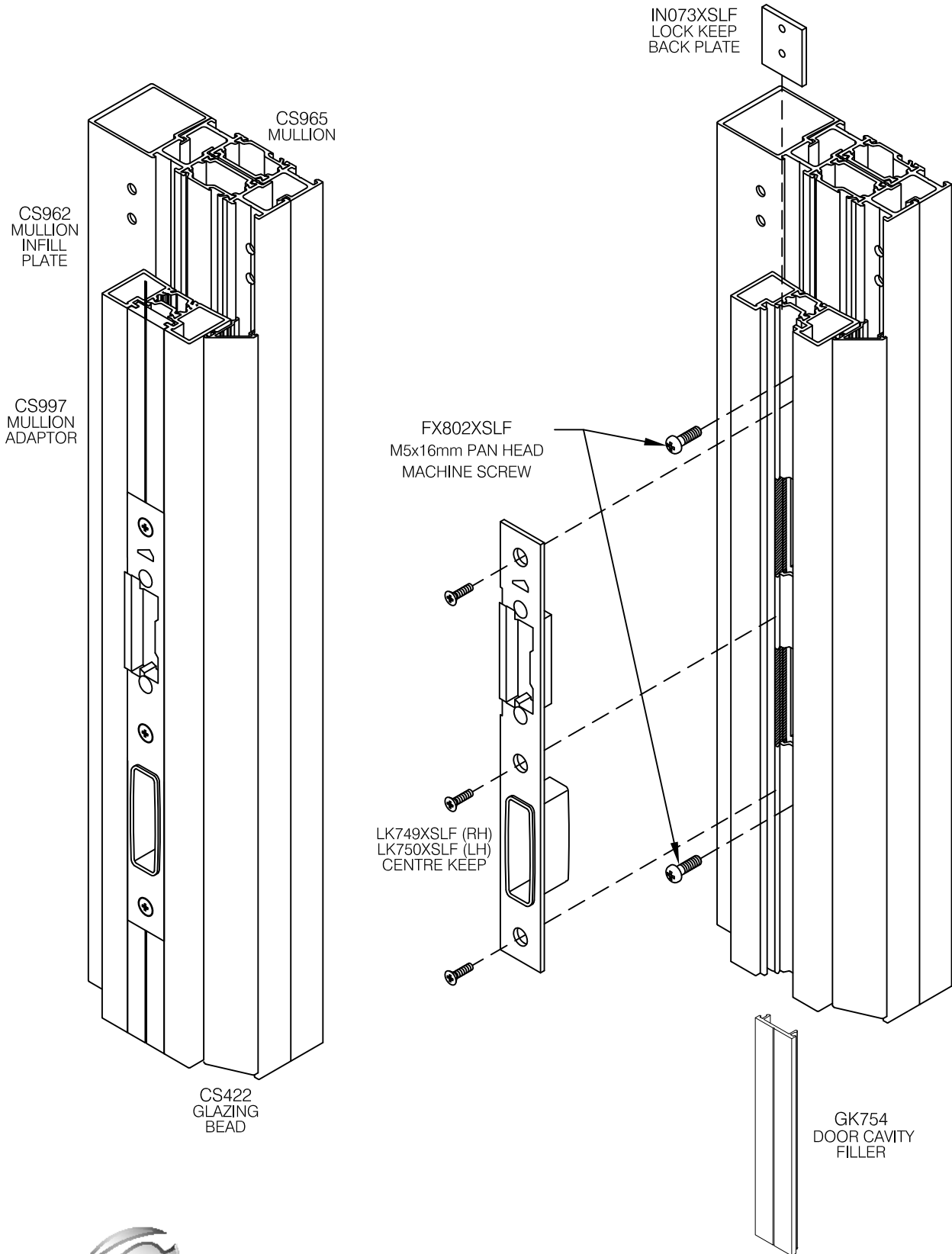
Copyright & ownership of this drawing is vested in COMAR Architectural Aluminium Systems, whose prior written consent is required for its use, reproduction or publication to any third party. All other rights reserved. Subject to modifications without prior notification



Copyright & ownership of this drawing is vested in COMAR Architectural Aluminium Systems, whose prior written consent is required for its use, reproduction or publication to any third party. All other rights reserved. Subject to modifications without prior notification



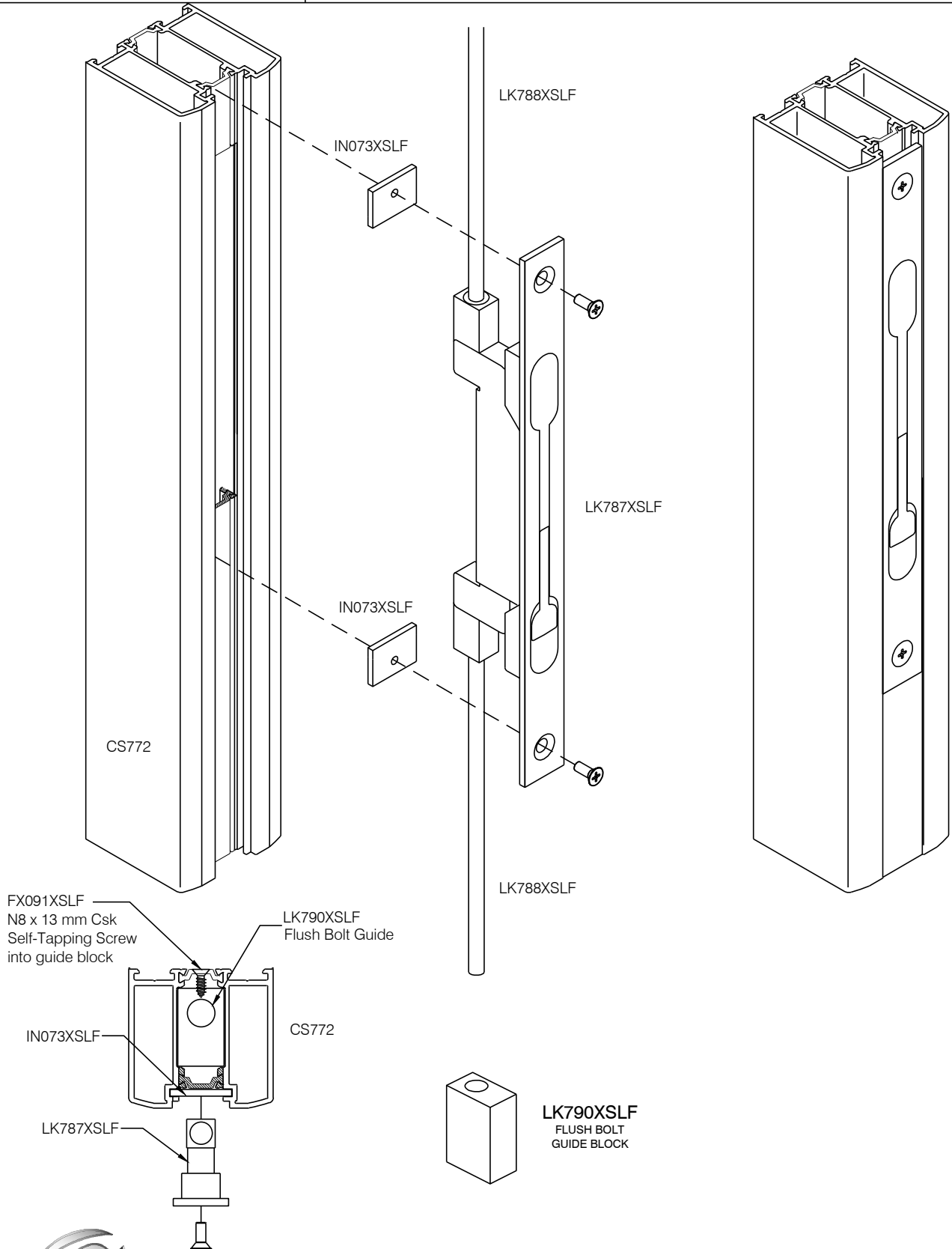
Copyright & ownership of this drawing is vested in COMAR Architectural Aluminium Systems, whose prior written consent is required for its use, reproduction or publication to any third party. All other rights reserved. Subject to modifications without prior notification.



Copyright & ownership of this drawing is vested in COMAR Architectural Aluminium Systems, whose prior written consent is required for its use, reproduction or publication to any third party. All other rights reserved. Subject to modifications without prior notification



SCALE	NTS	@ A4
DATE	18/01/2018	
DRAWN	NRA / KD	
DRG. No.	C7Pi-CD-3.54 R1	



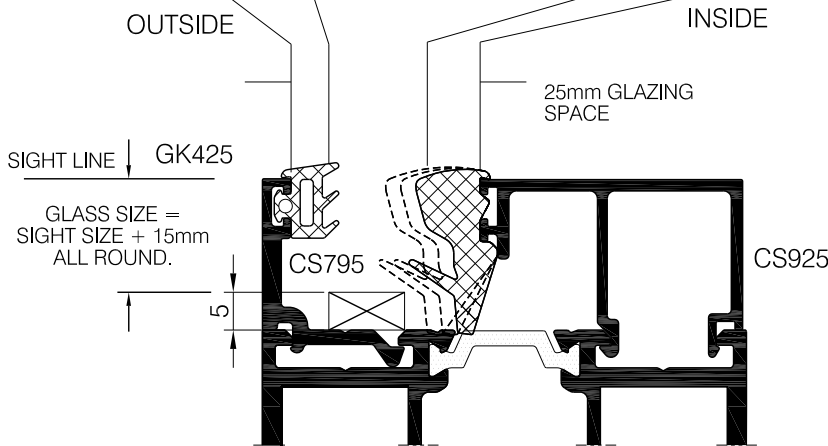
Copyright & ownership of this drawing is vested in COMAR Architectural Aluminium Systems, whose prior written consent is required for its use, reproduction or publication to any third party. All other rights reserved. Subject to modifications without prior notification

CAPTIVE GASKET ref.	GASKET VALUE M/M	MAX M/M			WEDGE VALUE M/M	WEDGE INSERT ref.
GK425	5	14	13		5 - 7	GK906
GK425	5	13	12	11	7 - 9	GK908
GK425	5	11	10	9	9 - 11	GK910
		MIN M/M				

DOUBLE GLAZED DOOR SYSTEM WITH SQUARE BEAD.

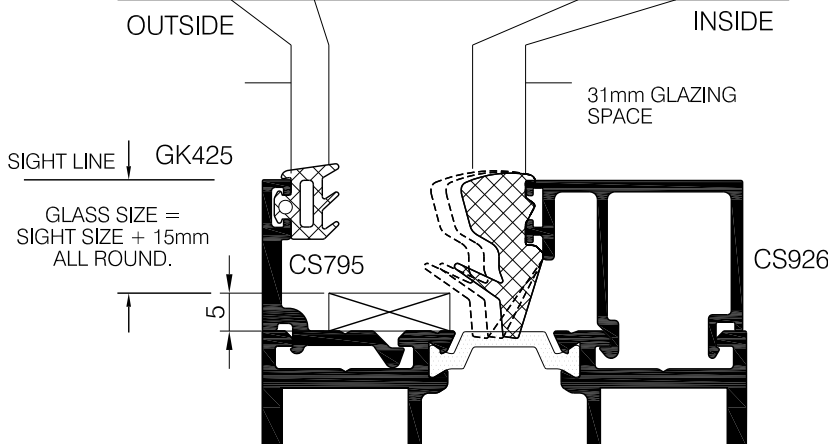
ORDER OF ASSEMBLY:-

1. BEAD CS795.
2. CAPTIVE GASKET.
3. GLASS OR PANEL.
4. CS925-926 SQUARE BEAD.
5. INSERT WEDGE GASKET.



CAPTIVE GASKET ref.	GASKET VALUE M/M	MAX M/M			WEDGE VALUE M/M	WEDGE INSERT ref.
GK425	5	20	19		5 - 7	GK906
GK425	5	19	18	17	7 - 9	GK908
GK425	5	17	16	15	9 - 11	GK910
		MIN M/M				

TO ENSURE SATISFACTORY PRODUCT PERFORMANCE, BOTTOM CORNERS AND INTERNAL GASKET CORNER JOINTS SHOULD BE SILICONE SEALED.



IMPORTANT NOTE
DUE TO PRODUCTION TOLERANCES IN ALUMINIUM, PAINTING/ANODISING, GLASS AND GASKETS, CHECK AND TRIAL ABOVE FORMULAE BEFORE PROCEEDING WITH BULK PRODUCTION.

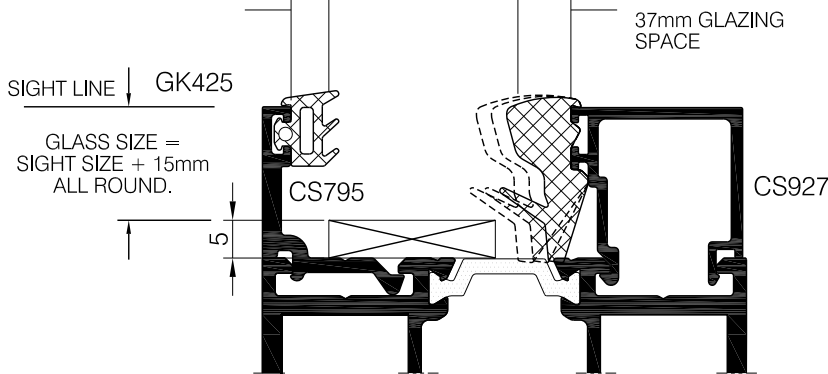


SCALE	NTS	© A4
DATE	30/09/14	
DRAWN	VM/KP	
DRG. No.	C7Pi-CD-4.01 R1	

CAPTIVE GASKET ref.	GASKET VALUE M/M	MAX M/M			WEDGE VALUE M/M	WEDGE INSERT ref.
GK425	5	26	25	5 - 7	GK906	
GK425	5	25	24	7 - 9	GK908	
GK425	5	23	22	9 - 11	GK910	
		MIN M/M				

OUTSIDE

INSIDE



DOUBLE GLAZED DOOR SYSTEM WITH SQUARE BEAD.

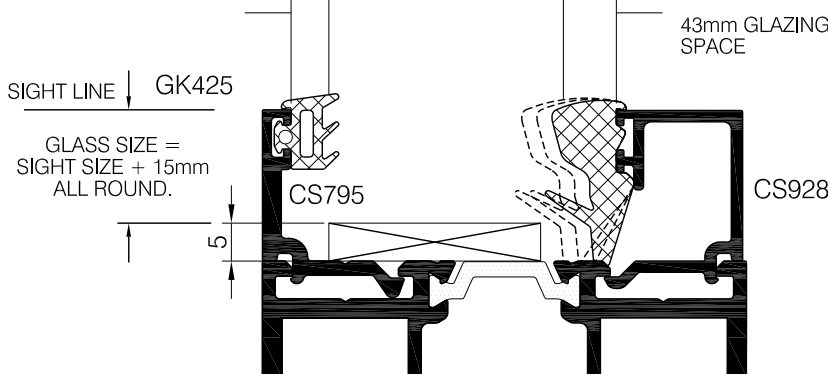
ORDER OF ASSEMBLY:-

1. BEAD CS795.
2. CAPTIVE GASKET.
3. GLASS OR PANEL.
4. CS927-928 SQUARE BEAD.
5. INSERT WEDGE GASKET.

CAPTIVE GASKET ref.	GASKET VALUE M/M	MAX M/M			WEDGE VALUE M/M	WEDGE INSERT ref.
GK425	5	32	31	5 - 7	GK906	
GK425	5	31	30	7 - 9	GK908	
GK425	5	29	28	9 - 11	GK910	
		MIN M/M				

OUTSIDE

INSIDE



TO ENSURE SATISFACTORY PRODUCT PERFORMANCE, BOTTOM CORNERS AND INTERNAL GASKET CORNER JOINTS SHOULD BE SILICONE SEALED.

IMPORTANT NOTE

DUE TO PRODUCTION TOLERANCES IN ALUMINIUM, PAINTING/ANODISING, GLASS AND GASKETS, CHECK AND TRIAL ABOVE FORMULAE BEFORE PROCEEDING WITH BULK PRODUCTION.



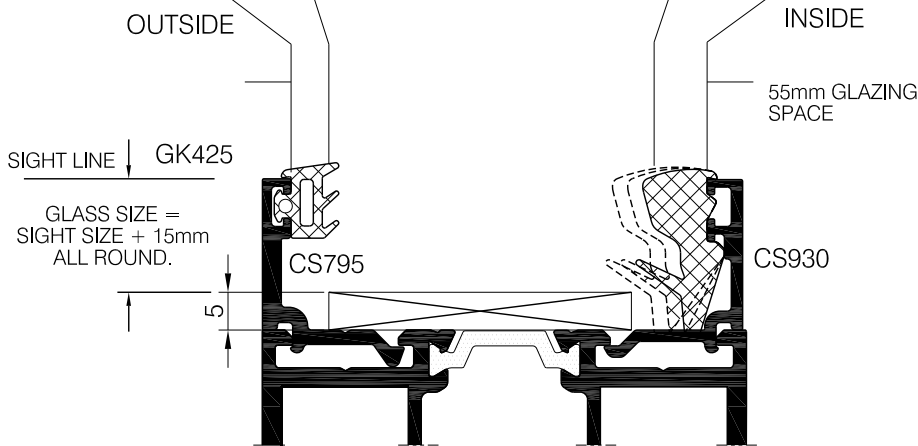
SCALE	NTS	© A4
DATE	30/09/14	
DRAWN	VM/KP	
DRG. No.	C7Pi-CD-4.02 R1	

CAPTIVE GASKET ref.	GASKET VALUE M/M	MAX M/M			WEDGE VALUE M/M	WEDGE INSERT ref.
GK425	5	45	44	43	5 - 7	GK906
GK425	5	43	42	41	7 - 9	GK908
GK425	5	41	40	39	9 - 11	GK910
		MIN M/M				

DOUBLE GLAZED DOOR SYSTEM WITH SQUARE BEAD.

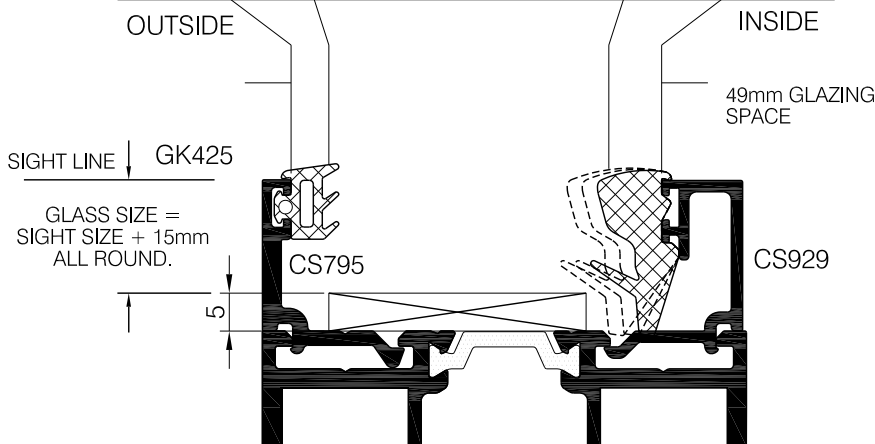
ORDER OF ASSEMBLY:-

1. BEAD CS795.
2. CAPTIVE GASKET.
3. GLASS OR PANEL.
4. CS929-930 SQUARE BEAD.
5. INSERT WEDGE GASKET.



TO ENSURE SATISFACTORY PRODUCT PERFORMANCE, BOTTOM CORNERS AND INTERNAL GASKET CORNER JOINTS SHOULD BE SILICONE SEALED.

CAPTIVE GASKET ref.	GASKET VALUE M/M	MAX M/M			WEDGE VALUE M/M	WEDGE INSERT ref.
GK425	5	38	37		5 - 7	GK906
GK425	5	37	36	35	7 - 9	GK908
GK425	5	35	34	33	9 - 11	GK910
		MIN M/M				



IMPORTANT NOTE
DUE TO PRODUCTION TOLERANCES IN ALUMINIUM, PAINTING/ANODISING, GLASS AND GASKETS, CHECK AND TRIAL ABOVE FORMULAE BEFORE PROCEEDING WITH BULK PRODUCTION.

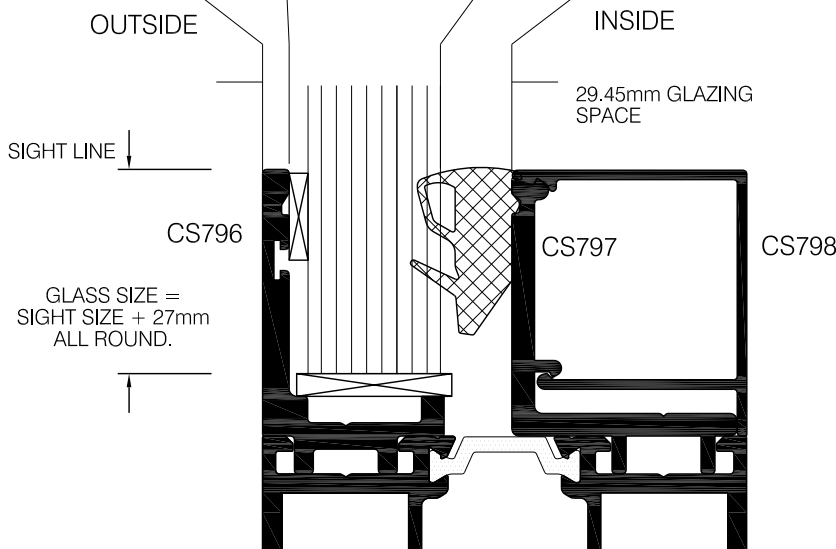


SECURELY GLAZED DOOR SYSTEM WITH SQUARE BEAD.

ORDER OF ASSEMBLY:-

1. FIX & SECURE CS796 OUTSIDE BEAD USING PRESCRIBED SCREW.
2. FIT SECURITY TAPE SE003 TO CS796.
3. FIT GLASS & PRESS AGAINST PROFILE.
4. FIT CS797 & PRESS HARD & SECURE USING PRESCRIBED SCREWS.
5. INSERT CAPTIVE GASKET.
6. FIT CS798 SECURITY BEAD COVER IN PLACE.

CAPTIVE GASKET ref.	GASKET VALUE M/M	MAX M/M	WEDGE VALUE M/M	WEDGE INSERT ref.
SE003	2.5	17.5	9 - 11	GK910
		MIN M/M		



TO ENSURE SATISFACTORY PRODUCT PERFORMANCE, BOTTOM CORNERS AND INTERNAL GASKET CORNER JOINTS SHOULD BE SILICONE SEALED.

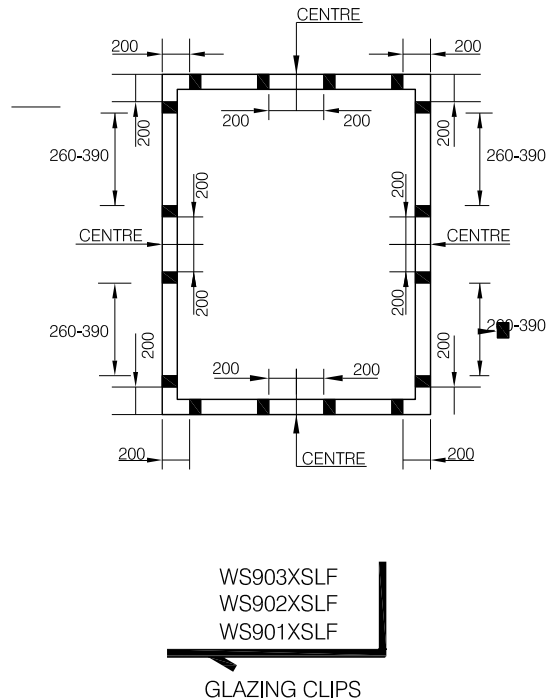
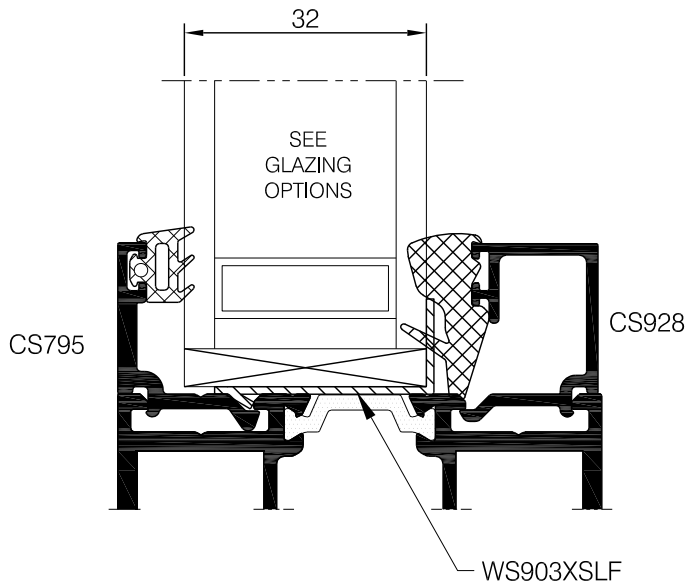
IMPORTANT NOTE

DUE TO PRODUCTION TOLERANCES IN ALUMINIUM, PAINTING/ANODISING, GLASS AND GASKETS, CHECK AND TRIAL ABOVE FORMULAE BEFORE PROCEEDING WITH BULK PRODUCTION.

Copyright & ownership of this drawing is vested in COMAR Architectural Aluminium Systems, whose prior written consent is required for its use, reproduction or publication to any third party. All other rights reserved. Subject to modifications without prior notification

IMPORTANT NOTE

DUE TO PRODUCTION TOLERANCES IN ALUMINIUM, PAINTING/ANODISING, GLASS AND GASKETS, CHECK AND TRIAL ABOVE FORMULAE BEFORE PROCEEDING WITH BULK PRODUCTION.

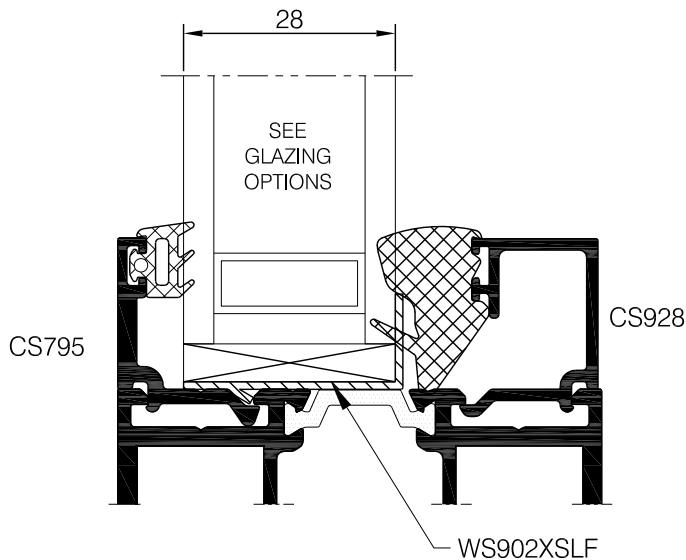


TO ENSURE SATISFACTORY PRODUCT PERFORMANCE, BOTTOM CORNERS AND INTERNAL GASKET CORNER JOINTS SHOULD BE SILICONE SEALED.

SECURITY GLAZING CLIP INSERTION.

ORDER OF ASSEMBLY:-

1. ENSURE YOU HAVE THE CORRECT CLIP FOR THE GLASS THICKNESS AND BEAD ARRANGEMENT.
2. HANDLE THE CLIPS WITH CARE AS THEY MAY HAVE SHARP EDGES.
3. SECURE EXTERNAL BEADS-100MM CENTRES AND FIT CORRECT CAPTIVE GASKET. SEAL THE CORNERS.
4. AFFIX CLIPS IN BOTTOM RAIL WITH GLUE. SECURE GLAZING PACKERS WITH GLUE SECURITY CLIPS SHOULD BE 200MM FROM CORNERS AND MAXIMUM 390MM APART CENTRE TO CENTRE.
5. STAND GLASS ONTO THE CLIP AND GLASS PACKER.
6. USE SHORT PIECES OF GLAZING BEAD TO TEMPORARILY SECURE THE GLASS UNIT.
7. TOE AND HEEL THE UNIT, ENSURING THE DOOR CAN OPERATE CORRECTLY.
8. USE WEDGE GASKET AND SHORT BEAD PIECES LOCALLY TO THE POSITION OF THE CLIP VERTICALLY AT CENTRES.
9. FIT THE CLIPS VERTICALLY ONCE THE WEDGE HAS APPLIED COMPRESSION TO THE GASKET. USE GLUE TO SECURE. ONCE IN PLACE SLIDE GLASS PACKERS INTO POSITION BETWEEN UNIT AND CLIP. SECURE WITH GLUE. DO NOT FORCE IN AS THIS WILL DISTURB THE TOE AND HEEL SET UP ALREADY COMPLETED.
10. MOVE THE BEAD/GASKET PIECES TO EACH POSITION AND REPEAT. THERE IS NO REQUIREMENT TO FIT CLIPS IN THE HEAD.
11. INSERT BEADS AND APPLY WEDGE GASKET. THE WEDGE GASKET WILL RIDE OVER THE EXPOSED CLIP EDGE WITHOUT CUTTING.



SCALE	NTS	© A4
DATE	13/08/2019	
DRAWN	CAD/ BB	
DRG. No.	C7Pi-CD-4.05 R0	

