

SECTION 1
COMAR 5Pi ECO WINDOW
INTRODUCTION / SPECIFICATION / BROADSHEETS

SECTION 2
COMAR 5Pi ECO WINDOW
FULL SIZE SECTIONS, FIXED LIGHT WINDOW

SECTION 3
COMAR 5Pi ECO WINDOW
FULL SIZE SECTIONS, OPEN OUT CASEMENT WINDOW

SECTION 4
COMAR 5Pi ECO WINDOW
COUPLING DETAILS, FIXING DETAILS

SECTION 5
COMAR 5Pi ECO WINDOW
FABRICATION, GLAZING DETAILS, U-VALUES

SECTION 6
COMAR 7Pi ECO DOOR
INTRODUCTION / SPECIFICATION / BROADSHEETS

SECTION 7
COMAR 7Pi ECO DOOR
FULL SECTION DETAILS, DOOR OPEN-IN, OPEN-OUT, DOUBLE DOORS

SECTION 8
COMAR 7Pi ECO DOOR
CAD DETAILS, FABRICATION

SECTION 9
COMAR 7Pi ECO DOOR
PUNCH TOOL DETAILS

SECTION 10
COMAR 7Pi ECO DOOR
GLAZING OPTIONS, U-VALUES

SECTION 11
FOR FUTURE USE

SECTION 12
FOR FUTURE USE



comar
ARCHITECTURAL ALUMINIUM SYSTEMS

DECEMBER 2019



CONTENTS

COMAR 7Pi ECO DOORS

PART 1 INTRODUCTION / SPECIFICATION / BROADSHEETS

Introduction	Page No. 1.01
System Specification	1.02
Broadsheet Profiles	1.03 - 1.03.2
Broadsheet Gasket & Fixings	1.04
Size Limitations	1.05
Hardware List	1.06

PART 2 FULL SIZE SECTIONS

Threshold Details	2.01 - 2.10
Head Details	2.11 - 2.22
Jamb Details	2.23 - 2.30.2
Mid-Rail Details	2.31
Mullion Details	2.32 - 2.35
Meeting Stile Details	2.36 - 2.37
Window Vent With Transfer Profile Details	2.38
Coupling Head Details	2.39 - 2.42
Coupling Jamb Details	2.43 - 2.46
Baypole Details	2.47 - 2.55
Coupling With CS843 Details	2.56
Coupling Comar 2 Details	2.57 - 2.59
Coupling Comar 6 Details	2.60 - 2.61
General Coupling Arrangements	2.62 - 2.67

PART 3 FABRICATION

Cutting Lists	3.01 - 3.06.1
Typical Drainage Details	3.07 - 3.09
Hinge Details	3.10 - 3.11
Spring Loaded Cleat Preparation	3.12 - 3.13
Low Threshold Preparation	3.14
Threshold Preparation	3.14.1
Low Threshold Preparation	3.15
Spring Loaded Cleat Preparation	3.16 - 3.17
High Span Mullion Preparation	3.18
Transom Preparation	3.19
Mid Rail Preparation	3.20
Letter Box Preparation	3.21
Hardware Details	3.22 - 3.30.2
GK840 Preparation	3.31
Floating Mullion Preparation	3.32
ECO Door, Exploded View	3.33 - 3.34



CONTENTS (continued)

COMAR 7Pi ECO DOORS

Cutting Formula for Glazing Beads	3.35 - 3.37
Sill Preparation, COM5-JIG8	3.38
Baypole Assembly	3.39 - 3.40
Axim Surface Closer	3.41 - 3.43

PART 4 PUNCH TOOLING

Punch Tooling Broadsheet	4.01
Punch Tooling Details	4.02 - 4.16

PART 5 GLAZING DETAILS

Glazing Options	5.01 - 5.02
-----------------------	-------------

PART 6 U-VALUES

Single Leaf U-Values	6.01 - 6.02
Double Leaf U-Values	6.03 - 6.04

INTRODUCTION

COMAR 7Pi ECO DOOR SYSTEM

Demonstrates a continuation of Comar's innovative approach to the design of Architectural Aluminium products.

The aluminium profiles accentuate the curve and feature maximising the glazed area with the capacity to glaze units upto 32mm thick.

The thermally broken profiles with 'rolled in' polyamide enhances the doors thermal performance.

Comar 7Pi ECO doors provide a realm of design opportunities with dual colour options: the internal and external faces of the profiles can be polyester powder coated or anodized in a multitude of colours and finishes.

Rebated doors are internally beaded for domestic applications that allow for multi-light construction.

ECO doors integrate with other Comar products to provide doors for window walling and curtain walling systems

Tooling is available, ensuring that preparations are accurate and wastage reduced.
The door uses spring loaded cleats to enable fast-track manufacture.

All technical aspects of the product range are covered in this Product Manual and further information is available from Comar's Technical Department for specific contract requirements.

SYSTEM SPECIFICATION

COMAR 7Pi ECO DOOR SYSTEM

The product was successfully tested to PAS 23 & PAS 24.

For Open In arrangement:-
Class 3

Water Tightness:	450Pa
Air Permiability:	600Pa
Wind Resistance:	1200Pa

For Open Out arrangement:-
Class 4

Water Tightness:	900Pa
Air Permiability:	600Pa
Wind Resistance:	1200Pa

Test reports are available on request.

In addition the door system conforms to recognised industry standards as adopted by Centre for Windows and Cladding Technology and trade associations.

i.e. The Council for Aluminium in Building.

Profiles are extruded from Aluminium Alloy 6063TF or TB, to BS EN 12020 & BS EN 755.

Profiles may be finished to the following specifications:-

Anodising to BS EN 12373 & BS 3987.

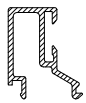
Liquid organic coatings to BS 4842.

Powder organic coating to BS 6496.

Weather strip and glazing to BS 6375 & BS 4255-1.

Glass and glazing to BS 6262.

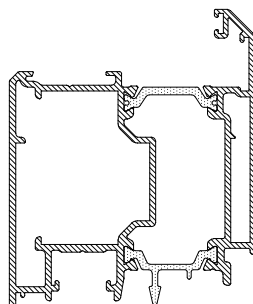
The doors are mitre jointed using stainless steel chevrons, alignment cleats and spring loaded cleats. All mitre joints incorporate aluminium adhesive for added strength.



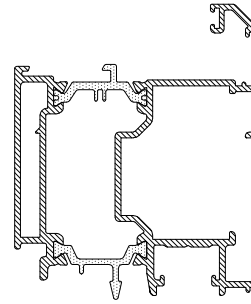
CS227
DOUBLE GLAZING
WINDOW BEAD (SQUARE)



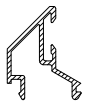
CS842
EURO GROVE INFILL



CS863
ECO DOOR LEAF
OPEN IN



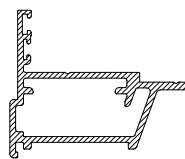
CS861
ECO DOOR LEAF
OPEN OUT



CS230
DOUBLE GLAZING
BEAD (SLOPING)



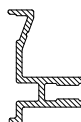
CS828
GLAZING BEAD
FOR 32 MM GLASS



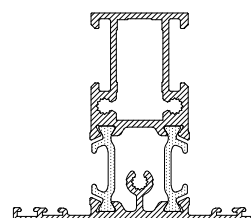
CS864
TRANSFER PROFILE



CS583
WINDOW DRIP
FX048XSLF (RIVET)



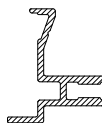
CS858
OPEN OUT DOOR
REBATE ADAPTER



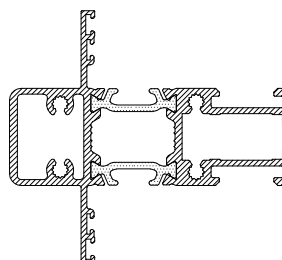
CS867
MEETING STILE
ECO DOOR MULLION



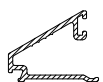
CS823
GLAZING BEAD
FOR 28 MM GLASS



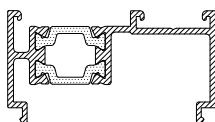
CS859
OPEN IN DOOR
REBATE ADAPTER



CS865
HIGH SPAN MULLION



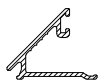
CS826
GLAZING BEAD
FOR 24 MM GLASS



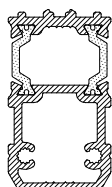
CS851
ECO 55 FRAME
EXTENSION



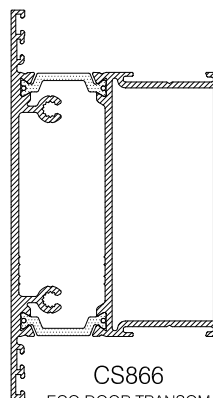
CS745
DOOR LOW THRESHOLD



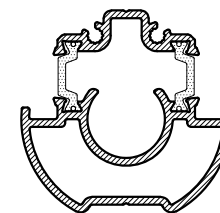
CS827
GLAZING BEAD
FOR 28 MM GLASS



CS843
46mm COUPLER

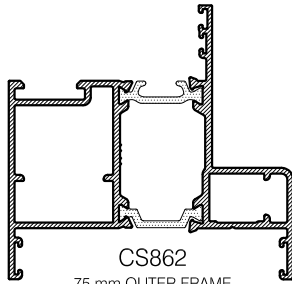


CS866
ECO DOOR TRANSOM
(OPEN IN)

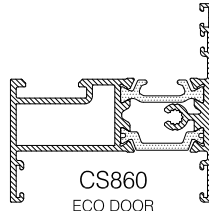


CS870
ECO BAY POLE COUPLER

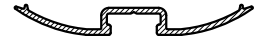
Copyright & ownership of this drawing is vested in COMAR Architectural Aluminium Systems, whose prior written consent is required for its use, reproduction or publication to any third party. All other rights reserved. Subject to modifications without prior notification.



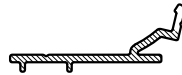
CS862
75 mm OUTER FRAME
ADAPTER



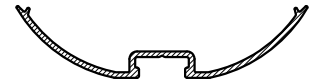
CS860
ECO DOOR
OUTER FRAME



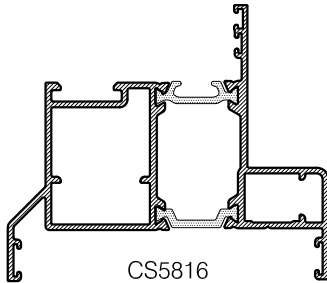
CS873
ECO BAY POLE
150°, 180° COVER CAP



CS871
ADJUSTABLE ADAPTOR



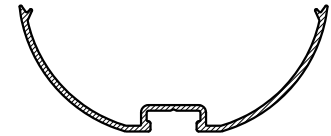
CS874
ECO BAY POLE
150° COVER CAP



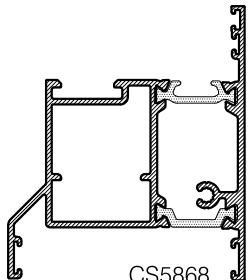
CS5816
85 mm OUTER FRAME
ADAPTER



CS872
ECO BAY POLE
120° COVER CAP



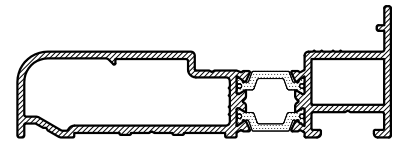
CS875
ECO BAY POLE
90°, 120° COVER CAP



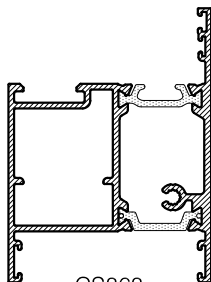
CS5868
64 mm OUTER FRAME
ADAPTER



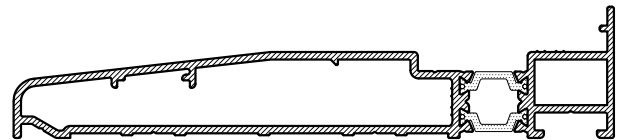
CS883
ECO DOOR LOW
THRESHOLD GASKET CARRIER



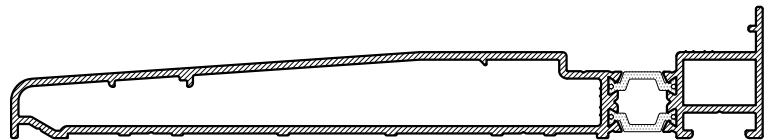
CS890
95mm SILL



CS868
ECO DOOR
OUTER FRAME



CS866
ECO DOOR TRANSOM
(OPEN IN)



CS898
195mm SILL



comar7P*i*

TITLE **POLYAMIDE INSULATED ECO DOORS
THERMALLY EFFICIENT ECO DOOR SYSTEM**

SHEET No.
ECO 1.03.2

SUB TITLE
**INTENTIONALLY
BLANK**

INTENTIONALLY
BLANK



comar
ARCHITECTURAL ALUMINIUM SYSTEMS



Copyright & ownership of this drawing is vested in COMAR Architectural Aluminium Systems, whose prior written consent is required for its use, reproduction or publication to any third party. All other rights reserved. Subject to modifications without prior notification

THE PARKSIDE GROUP LTD
UNIT 5 ° THE WILLOW CENTRE
17 WILLOW LANE ° MITCHAM
SURREY ° CR4 4NX
Tel: 020-8685 9685 Fax: 020-8687 1142
Email: technical@parksidegrp.co.uk
Web Site: <http://www.comar-alu.co.uk>

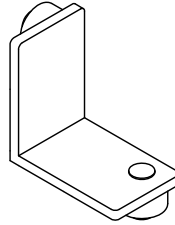
SCALE	1:1	© A4
DATE	02/02/2018	
DRAWN	NRA	
DRG. No.	C7-Pi-RB-EC 1.03.2	



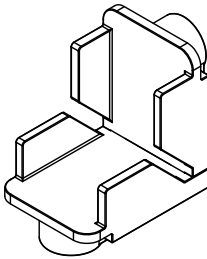
GK401
2.2mm WEDGE GASKET
COLOUR STRIP GREY



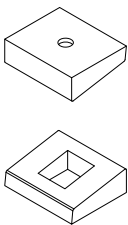
GK049
OUTER SEAL



WS341 XSLF
MECHANICAL CLEAT
FOR CS860/CS868



WS395 XSLF
MECHANICAL CLEAT
FOR CS861/CS863



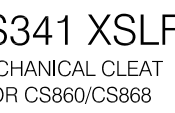
WS561 XSLF
ADJUSTABLE LIFTING
WEDGES



GK405
4mm WEDGE GASKET
COLOUR STRIP GREEN



GK403
3mm WEDGE GASKET
COLOUR STRIP WHITE



WS341 XSLF
MECHANICAL CLEAT
FOR CS860/CS868



WS395 XSLF
MECHANICAL CLEAT
FOR CS861/CS863



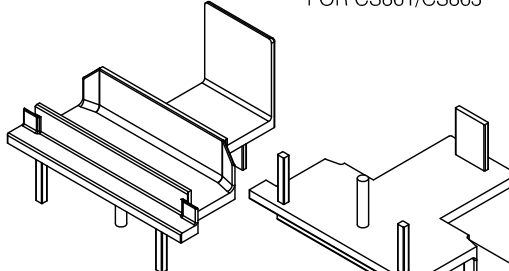
WS561 XSLF
ADJUSTABLE LIFTING
WEDGES



GK408
6mm WEDGE GASKET
COLOUR STRIP PINK



GK407
5.2mm WEDGE GASKET
COLOUR STRIP BROWN



EC867 DBLK
MULLION END CAP



WS092 XSLF



GK425
5mm ARROW HEAD GASKET
COLOUR STRIP BLUE



GK422
2mm ARROW HEAD GASKET
COLOUR STRIP BLACK



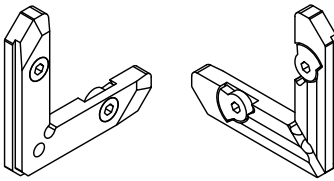
EC867 DBLK
MULLION END CAP



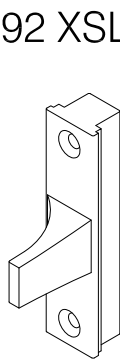
GK840
WEATHER SEAL GASKET




GK441
COMPRESSION
WEATHER STRIP



WS416 XSLF
ALIGNMENT SQUARE
FOR CS861/CS863



WS092 XSLF



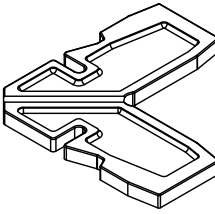
GK856
COUPLER



GK841
WEATHER SEAL GASKET




WS416 XSLF
ALIGNMENT SQUARE
FOR CS861/CS863



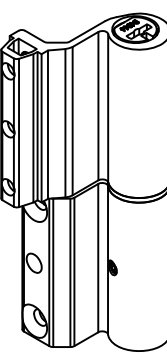
WS172 XSLF
CLEAT FOR CS861/CS863



GK863
CAVITY CLOSER



WS808 XKIT
1 x 10.5mm CUT CLEAT
1 x FX612 (M6 X 7mm SCREW)
2 x FX611 (M5 x 10mm GRUB SCREW)



HN850EWHT
HN850BSVR
STANDARD HINGE



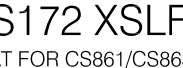
LK810XSLF



GK864
CAVITY CLOSER



WS808 XKIT
1 x 10.5mm CUT CLEAT
1 x FX612 (M6 X 7mm SCREW)
2 x FX611 (M5 x 10mm GRUB SCREW)



WS172 XSLF
CLEAT FOR CS861/CS863



HN851EWHT
HN851BSVR
SECURITY HINGE



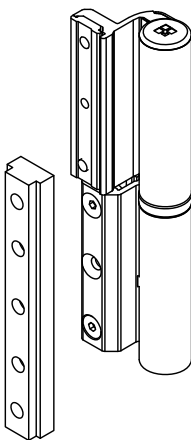
WS515 XSLF
CHEVRON FOR CS860/CS868



GK054
EURO GROVE FILLER

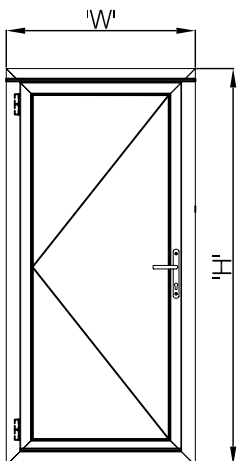


HN850EWHT
HN850BSVR
STANDARD HINGE



HN851EWHT
HN851BSVR
SECURITY HINGE





TWO HINGES FITTED
FOR A LIGHT DUTY USE

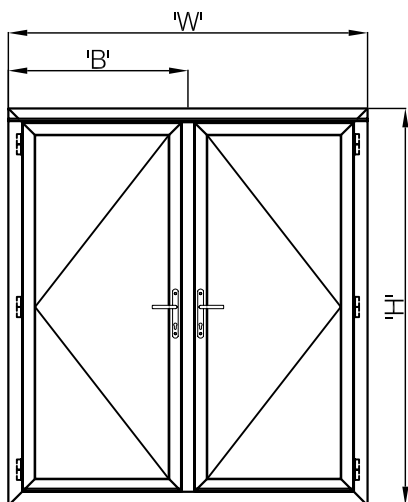
MAX DOOR SIZE WIDTH 1100 mm
MAX DOOR SIZE HEIGHT 2400 mm
MAX WEIGHT 90 Kgs

HINGE: HN850EWHT/HN850BSVR
SECURITY HINGE: HN851EWHT/HN851BSVR

For external open out doors provision must be made to protect the door from adjacent walls and obstruction.

Doors should not exceed an area of 2.2m². For safety Comar do not recommend sizes exceeding limits (2.4m high or 1.1m width)

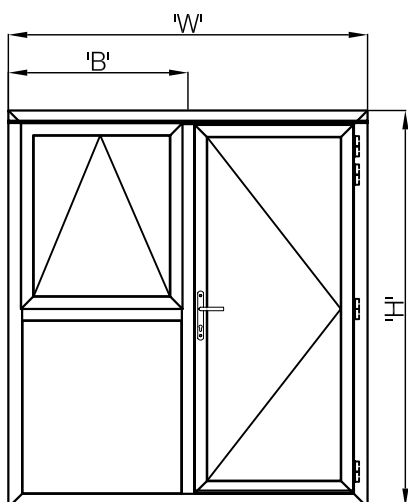
Note: EWHT and BSVR refers to the paint finish white or silver respectively.



THREE HINGES FITTED
FOR A NORMAL DUTY USE

MAX DOOR SIZE WIDTH 1100 mm
MAX DOOR SIZE HEIGHT 2400 mm
MAX WEIGHT 90 Kgs

HINGE: HN850EWHT/HN850BSVR
SECURITY HINGE: HN851EWHT/HN851BSVR



FOUR HINGES FITTED
FOR A HEAVY DUTY USE

MAX DOOR SIZE WIDTH 1100 mm
MAX DOOR SIZE HEIGHT 2400 mm
MAX WEIGHT 90 Kgs

HINGE: HN850EWHT/HN850BSVR
SECURITY HINGE: HN851EWHT/HN851BSVR

APPLICATIONS
SINGLE AND DOUBLE REBATED DOORS
FOR BUILDINGS WITH PUBLIC AND/OR DOMESTIC ACCESS

TWO HINGES ARE GENERALLY USED FOR A LIGHT DUTY USE.
THREE HINGES ARE GENERALLY USED FOR A NORMAL DUTY USE.
FOUR HINGES ARE GENERALLY USED FOR A HEAVY DUTY USE.

Copyright & ownership of this drawing is vested in COMAR Architectural Aluminium Systems, whose prior written consent is required for its use, reproduction or publication to any third party. All other rights reserved. Subject to modifications without prior notification

SINGLE LEAF 1 PIECE NO SHOOTBOLT 1 LATCH 2 HOOKS 2 ROLLERS	
LK830XSFL - LOCK	1
LK840XSFL - HOOK KEEP	2
LK841XSFL/LK842XSFL - CL KEEP LEFT/RIGHT	1
LK834XSFL/LK834XSFL - ROLLER KEEPS	2
WS561DBLK - WEDGE PAIRS	4

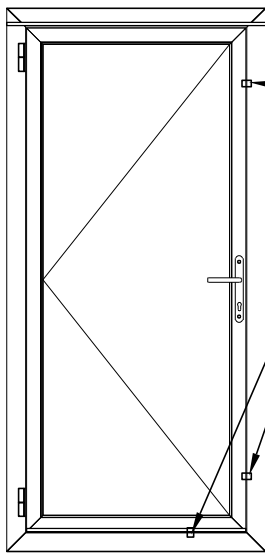
SINGLE LEAF WITH SHOOTBOLT 1 LATCH 2 HOOKS 2 ROLLERS	
LK835XSFL - LOCK	1
LK836XSFL - TOP SHOOT EXT+HOOK	1
LK837XSFL - BOTTOM SHOOT EXT+HOOK	1
LK832XSFL - TOP SHOOT	1
LK841XSFL/LK842XSFL - CL KEEP LEFT / RIGHT	1
LK833XSFL - SHOOT KEEPS	2
LK838XSFL/LK839XSFL - SHOOT KEEP PACKER LEFT/RIGHT	2
LK834XSFL - ROLLER KEEPS	2
LK840XSFL - HOOK KEEPS	2
WS561DBLK - WEDGE PAIRS	4

SLAVE LEAF SHOOTBOLT ONLY NO LATCH	
LK855XSFL - CENTRE	1
LK857XSFL - BOTTOM SHOOT	1
LK833XSFL - SHOOT KEEPS	2
LK838XSFL/LK839XSFL - SOOT KEEP PACKER LEFT/RIGHT	2
WS561DBLK - WEDGE PAIRS	4

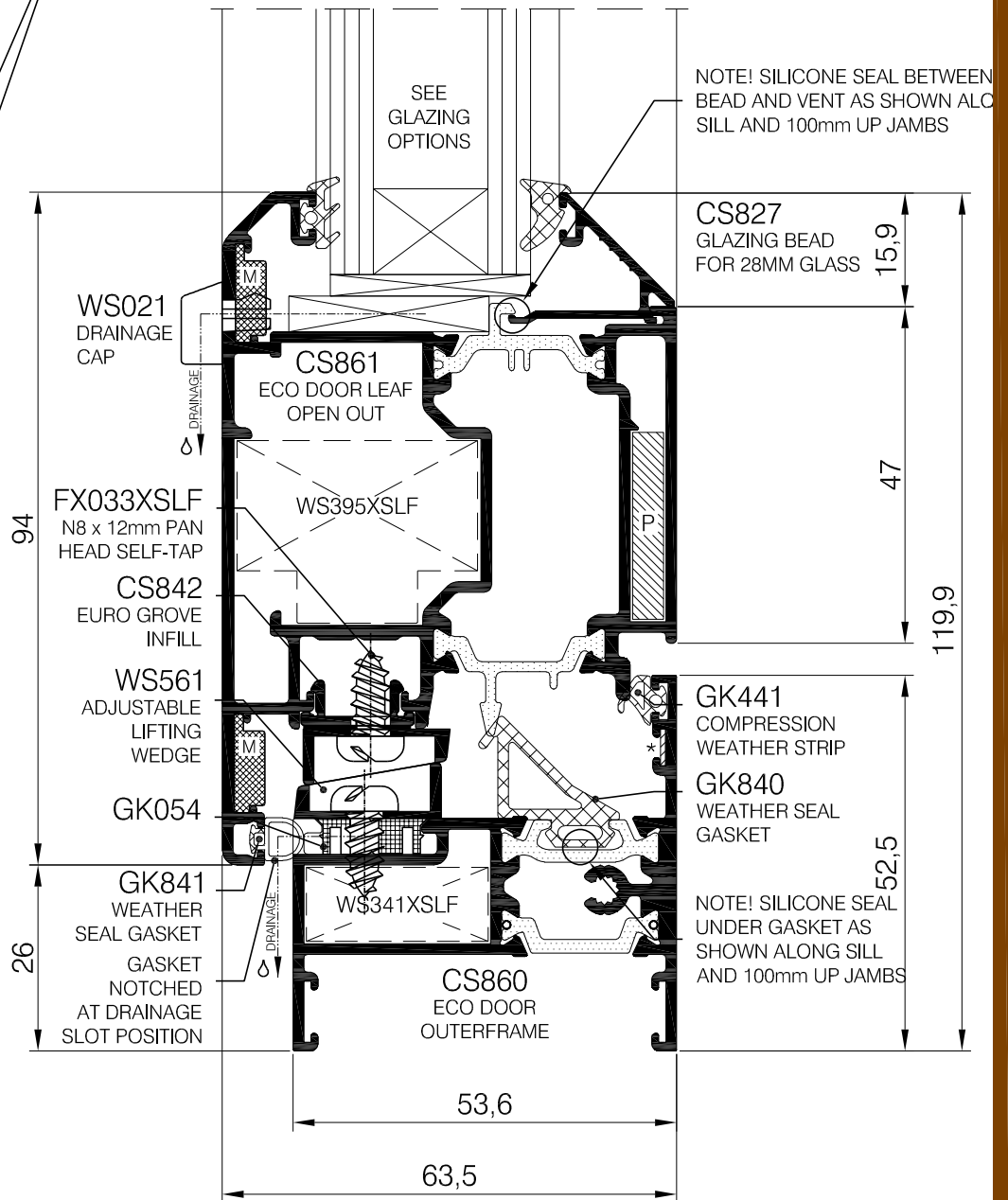
SECURITY	
LK079BSVR - SECURITY CYLINDER	
HN851BSVR/EWHT - SEC HINGE & BLOCK	
HN881EWHT - HANDLE PAIR	
LK810XSFL - HINGE SECURITY BOLT	

STANDARD	
HN850BSVR/EWHT - HINGE PAIR	
HN882EWHT/BSVR - STANDARD HANDLE	
LK080BSVR - STANDARD CYLINDER	OR
LK074BSVR - THUMBTURN CYLINDER	OR
LK077BSVR - THUMBTURN CYLINDER	



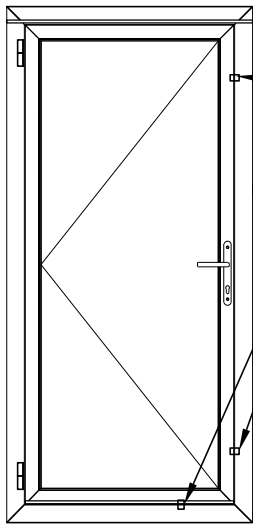


FOR EACH DOOR LEAF FIT 3 PAIRS OF WS561 APPROXIMATELY 100mm FROM EACH LEAF CORNER ON THE LOCK SIDE AS SHOWN

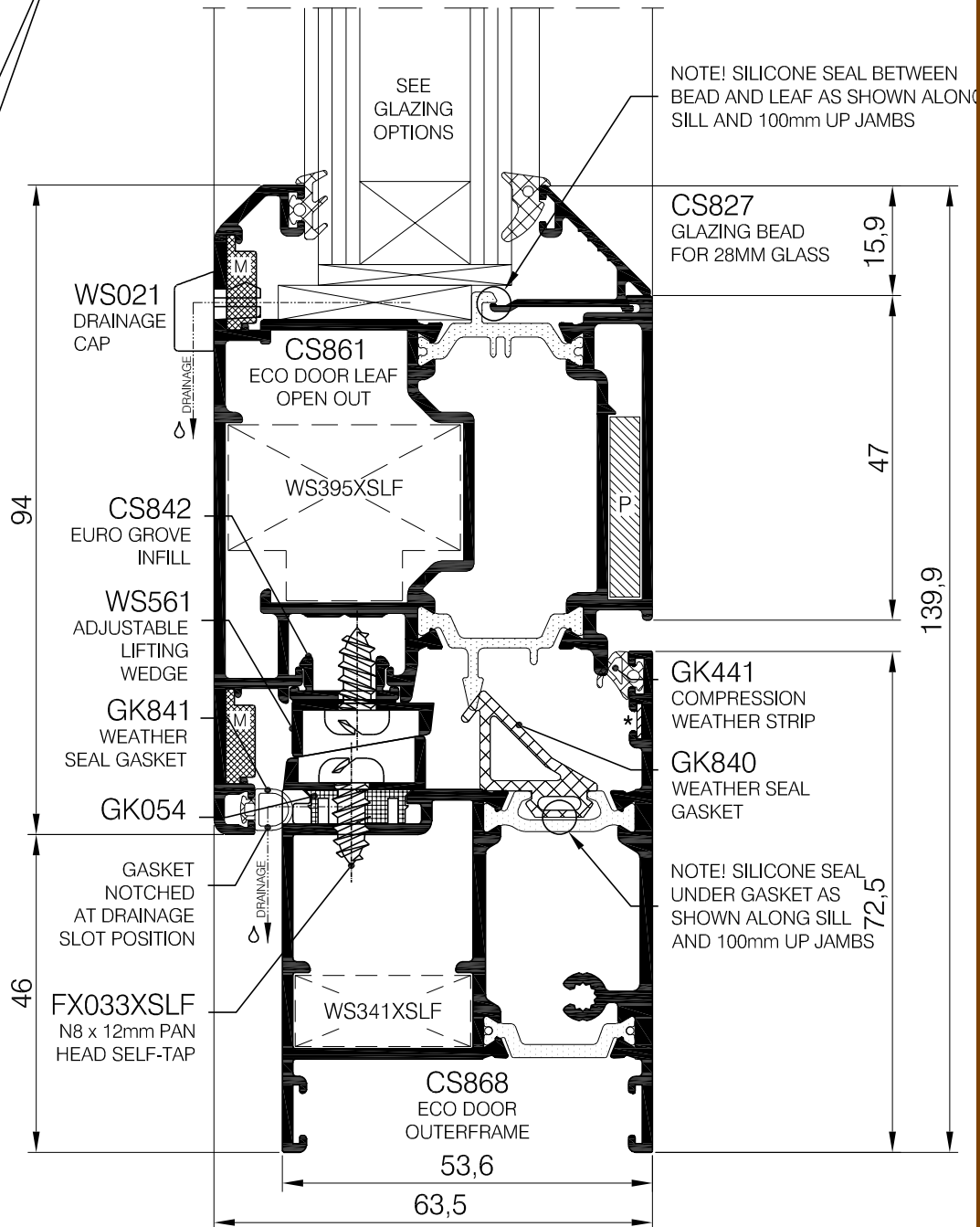


M DENOTES WS416XSLF ALIGNMENT SQUARE
P DENOTES WS172XSLF CORNER CLEAT
* DENOTES WS515 CHEVRON
Δ FOR DRAINAGE DETAIL SEE PAGE 3.07/08/09

Copyright & ownership of this drawing is vested in COMAR Architectural Aluminium Systems, whose prior written consent is required for its use, reproduction or publication to any third party. All other rights reserved. Subject to modifications without prior notification



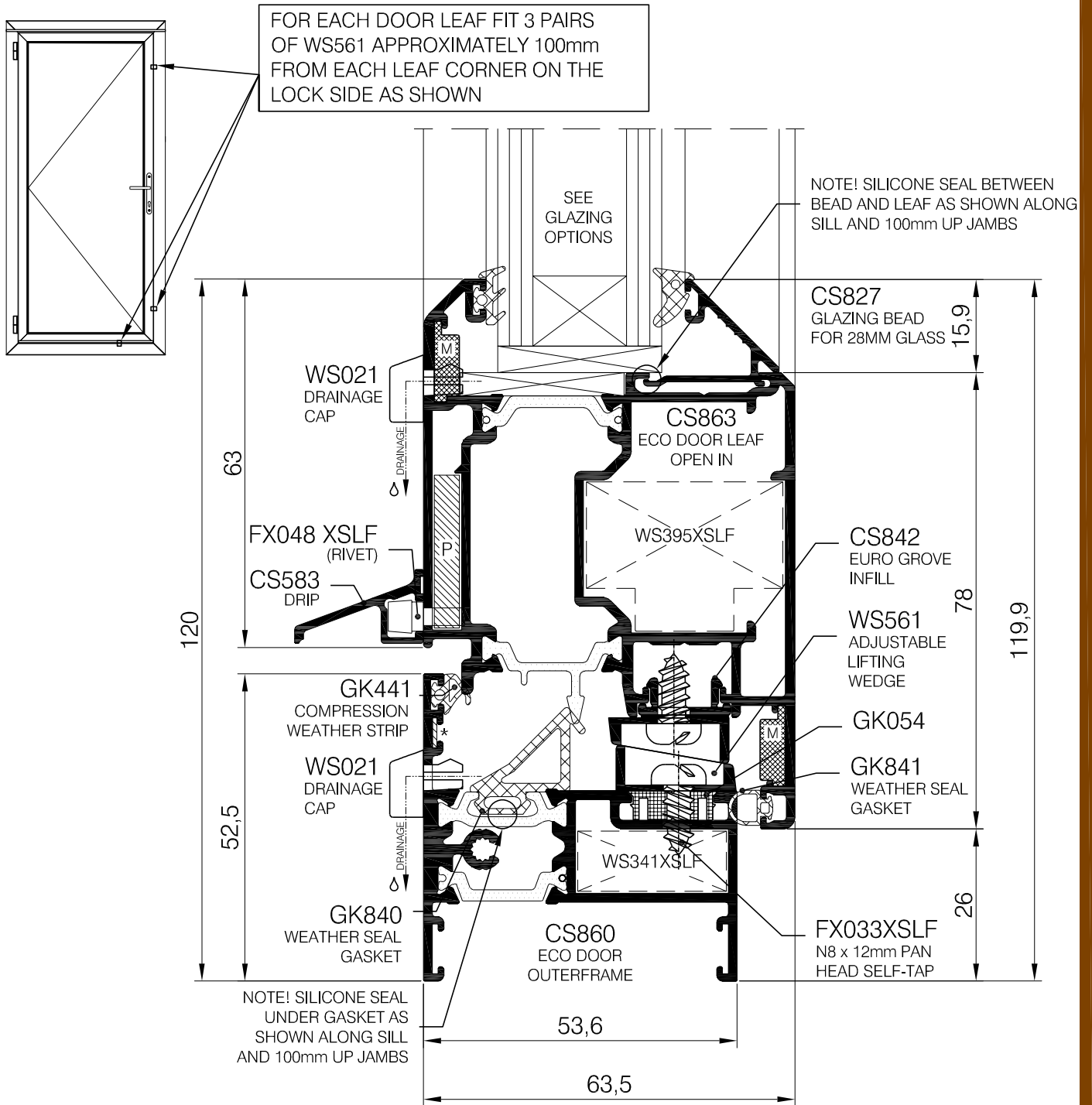
FOR EACH DOOR LEAF FIT 3 PAIRS OF WS561 APPROXIMATELY 100mm FROM EACH LEAF CORNER ON THE LOCK SIDE AS SHOWN



M DENOTES WS416XSLF ALIGNMENT SQUARE
P DENOTES WS172XSLF CORNER CLEAT
* DENOTES WS515 CHEVRON
Δ FOR DRAINAGE DETAIL SEE PAGE 3.07/08/09

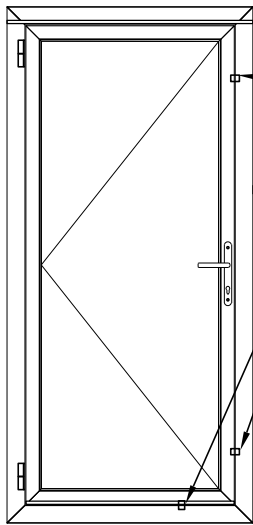
Copyright & ownership of this drawing is vested in COMAR Architectural Aluminium Systems, whose prior written consent is required for its use, reproduction or publication to any third party. All other rights reserved. Subject to modifications without prior notification

SCALE	1:1	© A4
DATE	01/11/2018	
DRAWN	OP/BB	
DRG. No.	C7-Pi-RB-EC 2.02R2	

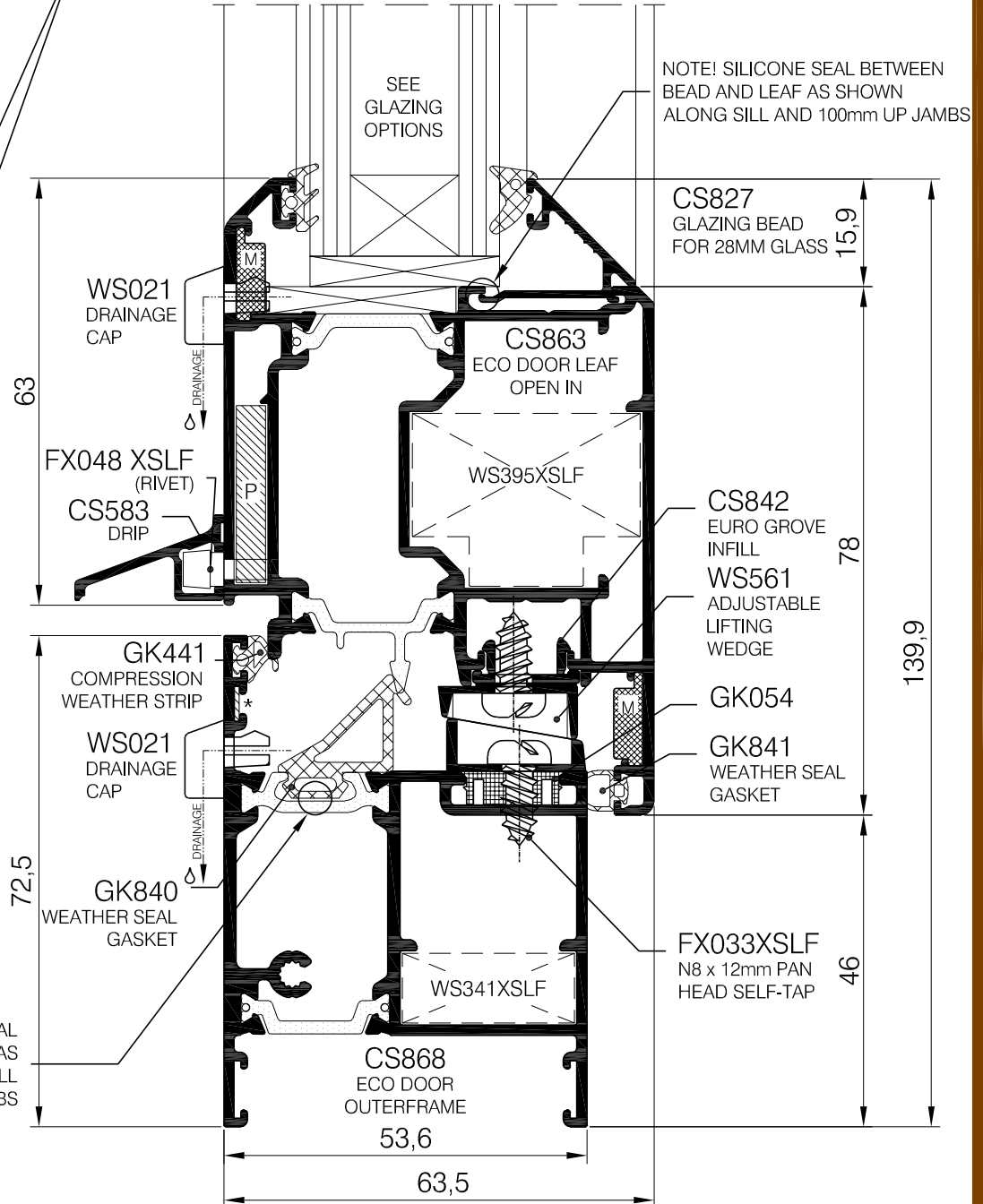


M DENOTES WS416XSLF ALIGNMENT SQUARE
 P DENOTES WS172XSLF CORNER CLEAT
 * DENOTES WS515 CHEVRON
 δ FOR DRAINAGE DETAIL SEE PAGE 3.07/08/09

Copyright & ownership of this drawing is vested in COMAR Architectural Aluminium Systems, whose prior written consent is required for its use, reproduction or publication to any third party. All other rights reserved. Subject to modifications without prior notification



FOR EACH DOOR LEAF FIT 3 PAIRS OF WS561 APPROXIMATELY 100mm FROM EACH LEAF CORNER ON THE LOCK SIDE AS SHOWN

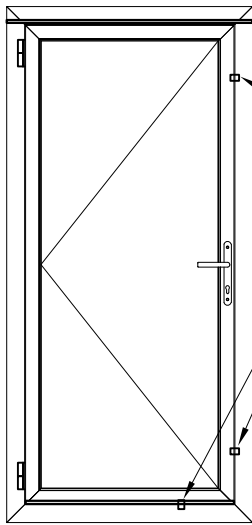


NOTE! SILICONE SEAL UNDER GASKET AS SHOWN ALONG SILL AND 100mm UP JAMBS

- M DENOTES WS416XSLF ALIGNMENT SQUARE
- P DENOTES WS172XSLF CORNER CLEAT
- * DENOTES WS515 CHEVRON
- Δ FOR DRAINAGE DETAIL SEE PAGE 3.07/08/09

Copyright & ownership of this drawing is vested in COMAR Architectural Aluminium Systems, whose prior written consent is required for its use, reproduction or publication to any third party. All other rights reserved. Subject to modifications without prior notification

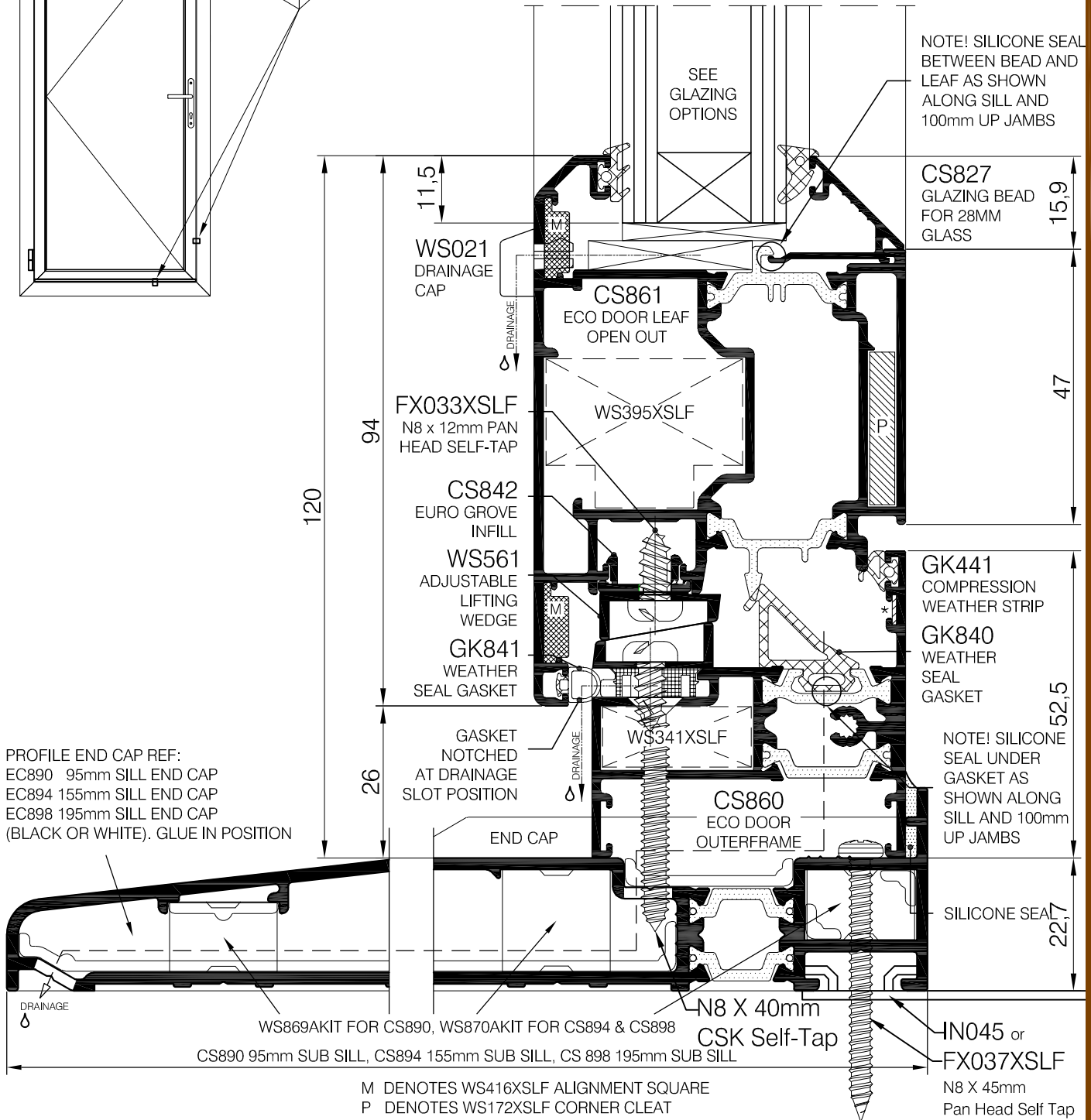
SCALE	1:1	© A4
DATE	01/11/2018	
DRAWN	OP/BB	
DRG. No.	C7-Pi-RB-EC 2.04R2	



FOR EACH DOOR LEAF FIT 3 PAIRS OF WS561 APPROXIMATELY 100mm FROM EACH LEAF CORNER ON THE LOCK SIDE AS SHOWN

SEE GLAZING OPTIONS

NOTE! SILICONE SEAL BETWEEN BEAD AND LEAF AS SHOWN ALONG SILL AND 100mm UP JAMBS



PROFILE END CAP REF:
EC890 95mm SILL END CAP
EC894 155mm SILL END CAP
EC898 195mm SILL END CAP
(BLACK OR WHITE). GLUE IN POSITION

WS869AKIT FOR CS890, WS870AKIT FOR CS894 & CS898
CS890 95mm SUB SILL, CS894 155mm SUB SILL, CS 898 195mm SUB SILL

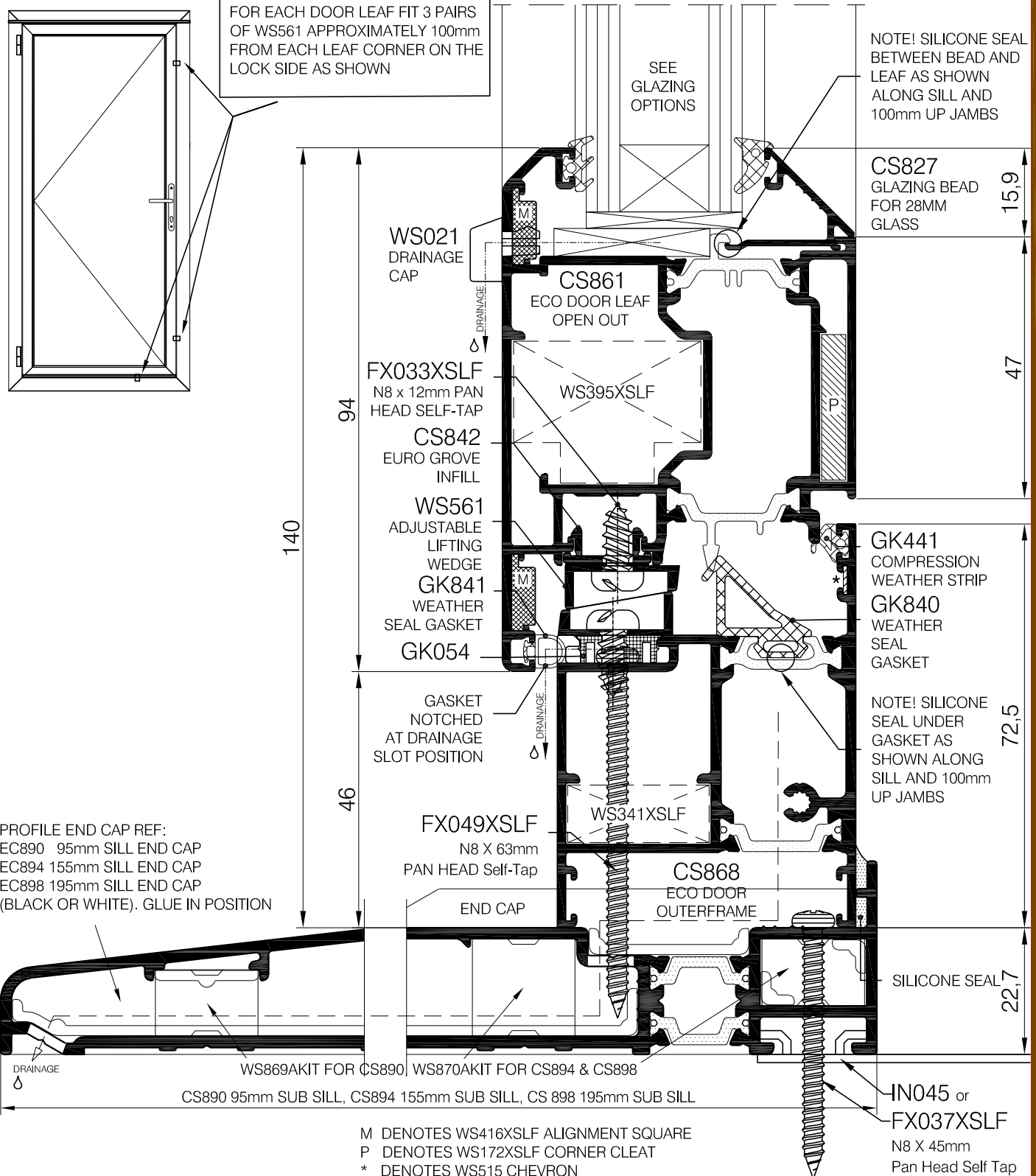
N8 X 40mm
CSK Self-Tap

IN045 or
FX037XSLF
N8 X 45mm
Pan Head Self Tap

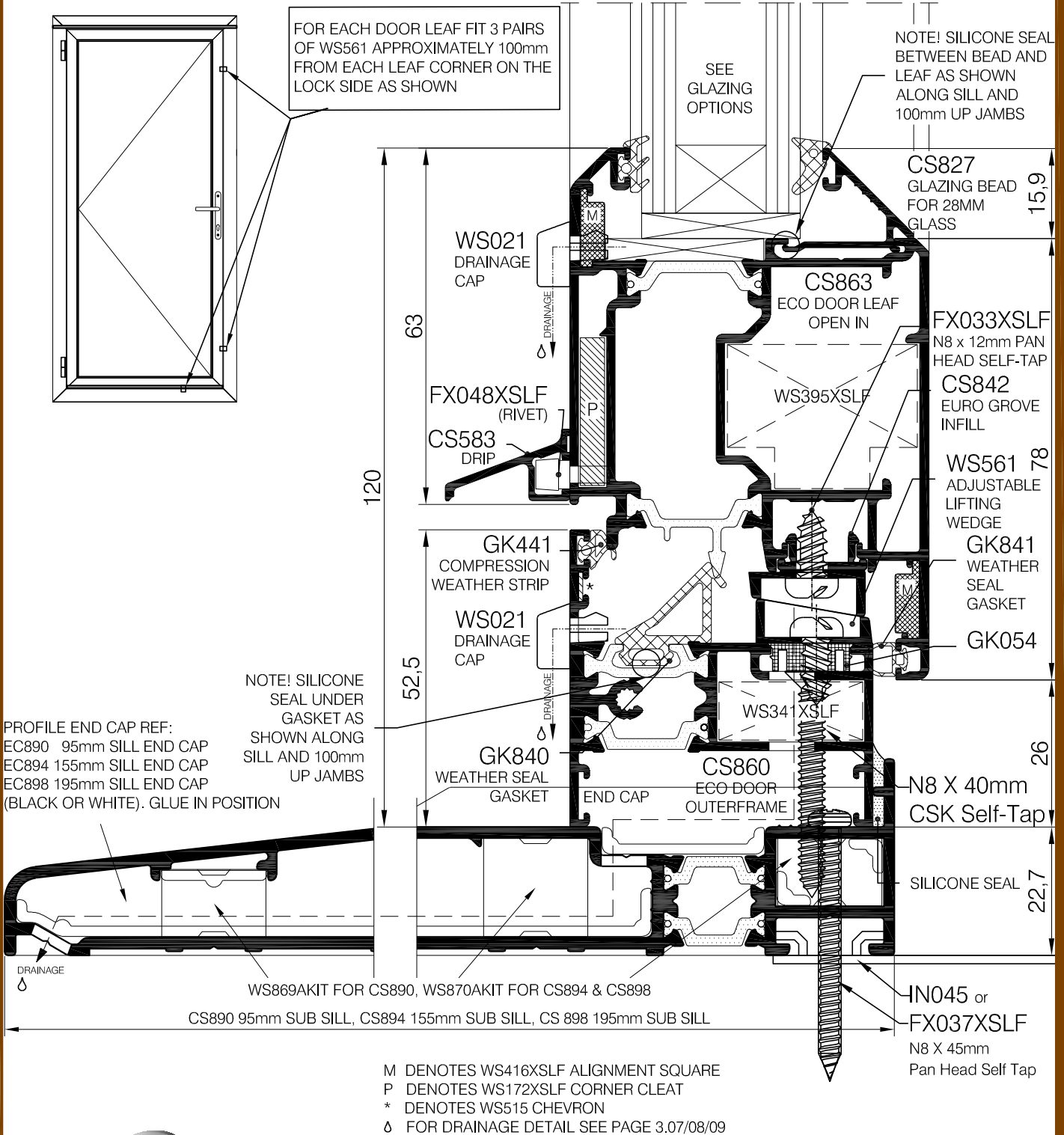
- M DENOTES WS416XSLF ALIGNMENT SQUARE
- P DENOTES WS172XSLF CORNER CLEAT
- * DENOTES WS515 CHEVRON
- △ FOR DRAINAGE DETAIL SEE PAGE 3.07/08/09

Copyright & ownership of this drawing is vested in COMAR Architectural Aluminium Systems, whose prior written consent is required for its use, reproduction or publication to any third party. All other rights reserved. Subject to modifications without prior notification

SCALE	1:1	© A4
DATE	01/11/2018	
DRAWN	OP/BB	
DRG. No.	C7-Pi-RB-EC 2.05R1	



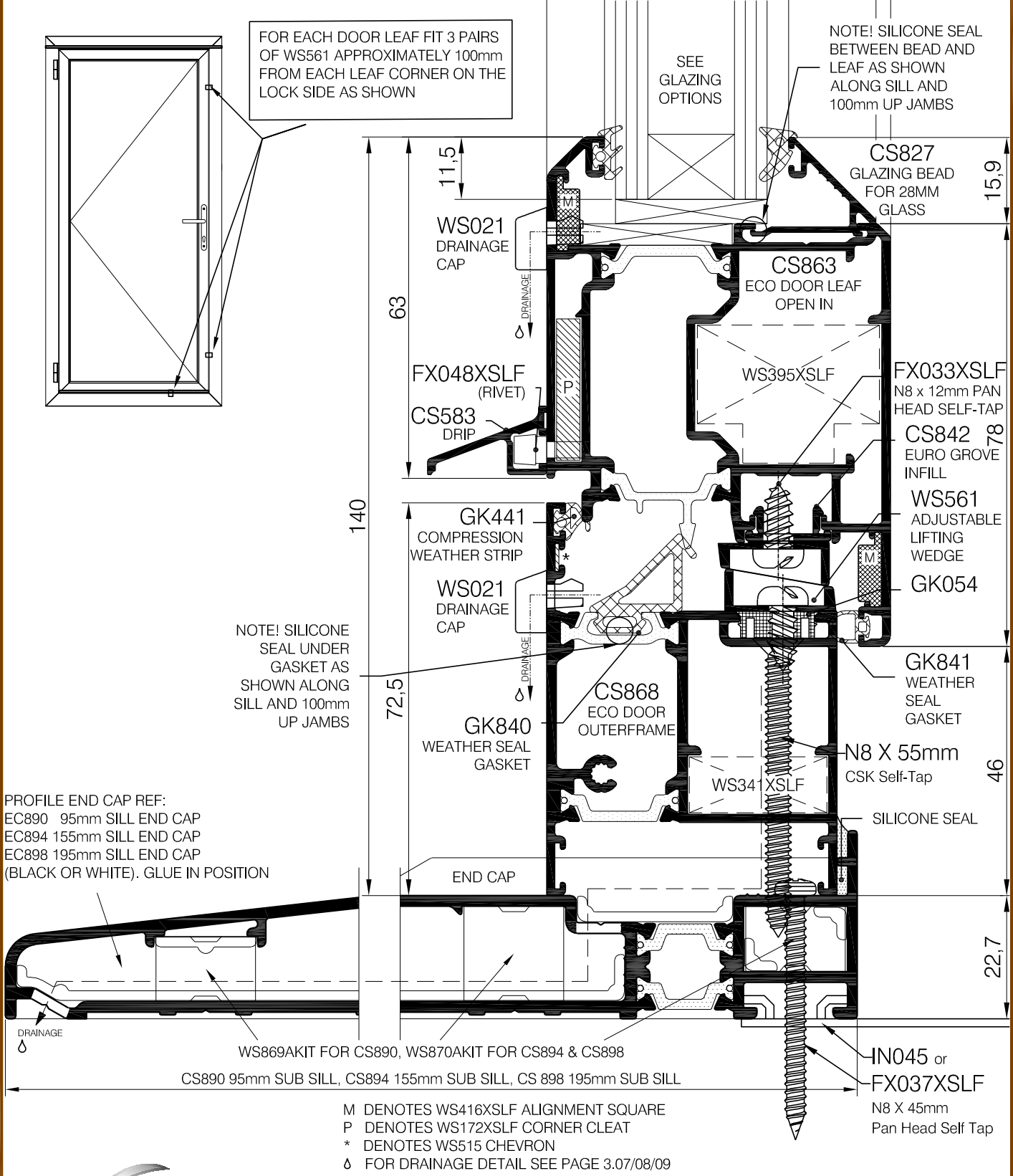
Copyright & ownership of this drawing is vested in COMAR Architectural Aluminium Systems, whose prior written consent is required for its use, reproduction or publication to any third party. All other rights reserved. Subject to modifications without prior notification



M DENOTES WS416XSFLF ALIGNMENT SQUARE
 P DENOTES WS172XSFLF CORNER CLEAT
 * DENOTES WS515 CHEVRON
 Δ FOR DRAINAGE DETAIL SEE PAGE 3.07/08/09

Copyright & ownership of this drawing is vested in COMAR Architectural Aluminium Systems, whose prior written consent is required for its use. reproduction or publication to any third party. All other rights reserved. Subject to modifications without prior notification

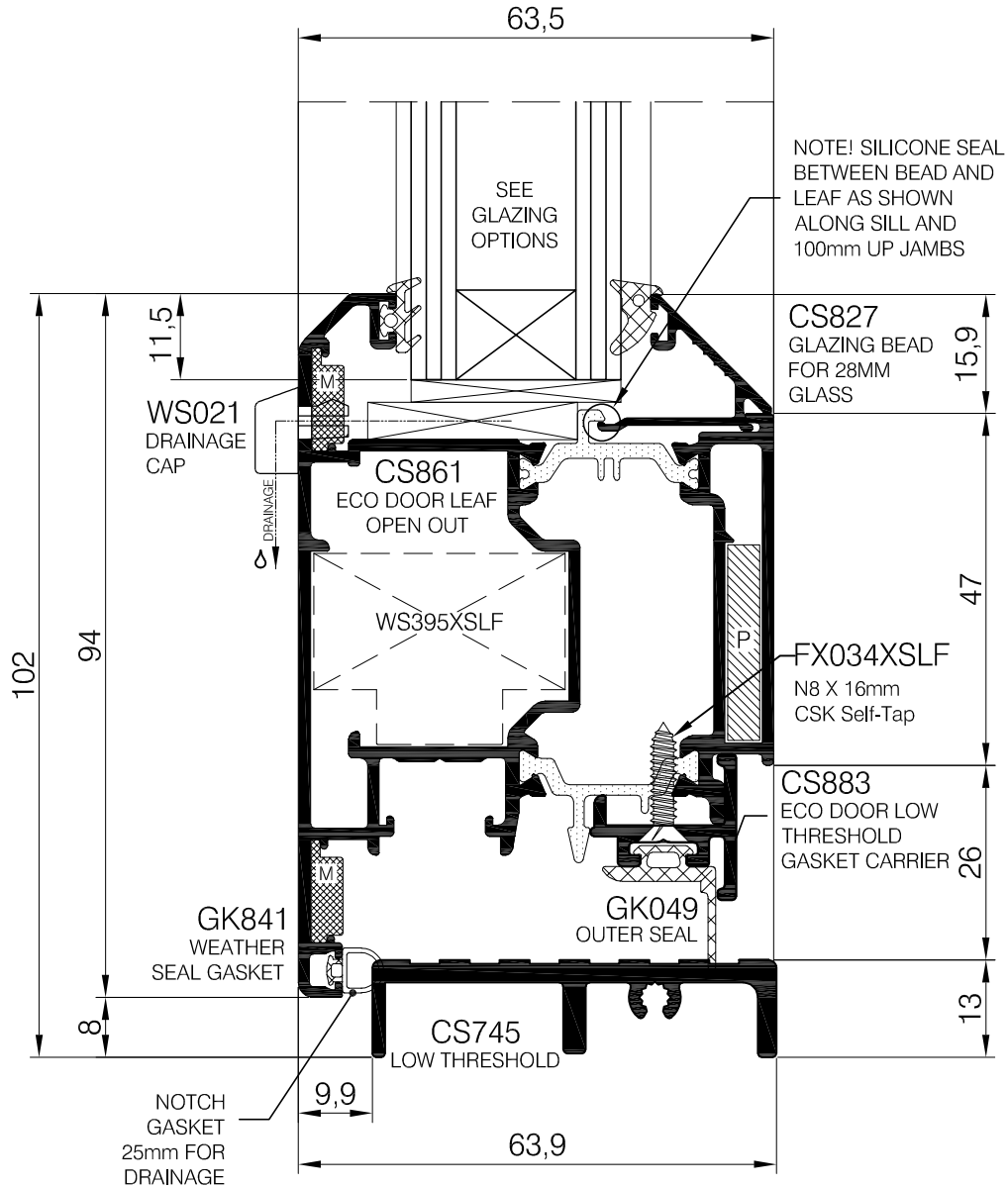
SCALE	1:1	© A4
DATE	01/11/2018	
DRAWN	OP/BB	
DRG. No.	C7-Pi-RB-EC 2.07R2	



Copyright & ownership of this drawing is vested in COMAR Architectural Aluminium Systems, whose prior written consent is required for its use, reproduction or publication to any third party. All other rights reserved. Subject to modifications without prior notification

SCALE	1:1	© A4
DATE	01/11/2018	
DRAWN	OP/BB	
DRG. No.	C7-Pi-RB-EC 2.08R2	

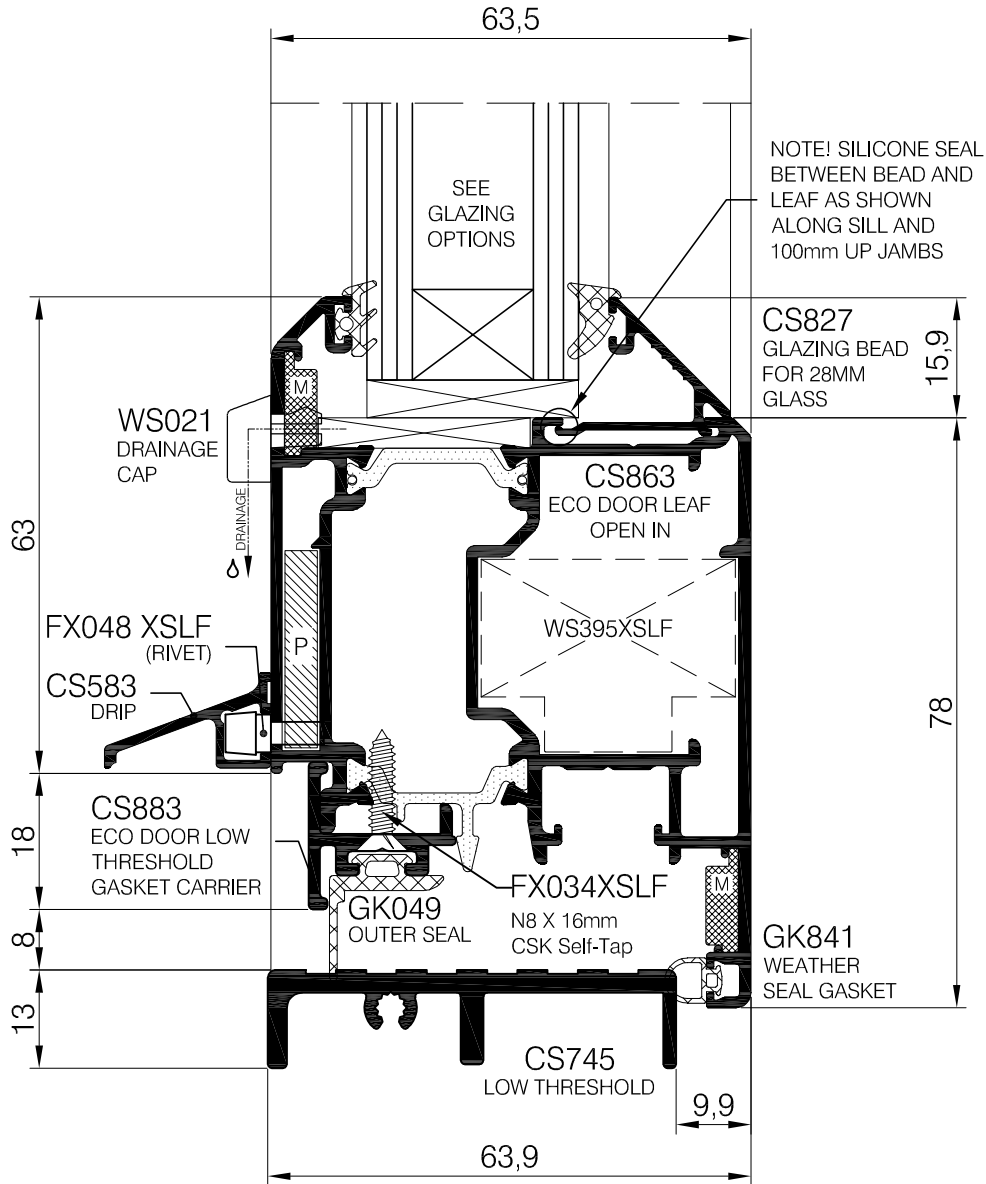
NOTE: TO FIX FX034XSLF, IT MUST BE PLACED AT 85 mm FROM THE CORNER. THEN, EVERY 250 mm ALONG THE PROFILE.



M DENOTES WS416XSLF ALIGNMENT SQUARE
P DENOTES WS172XSLF CORNER CLEAT
∆ FOR DRAINAGE DETAIL SEE PAGE 3.07/08/09

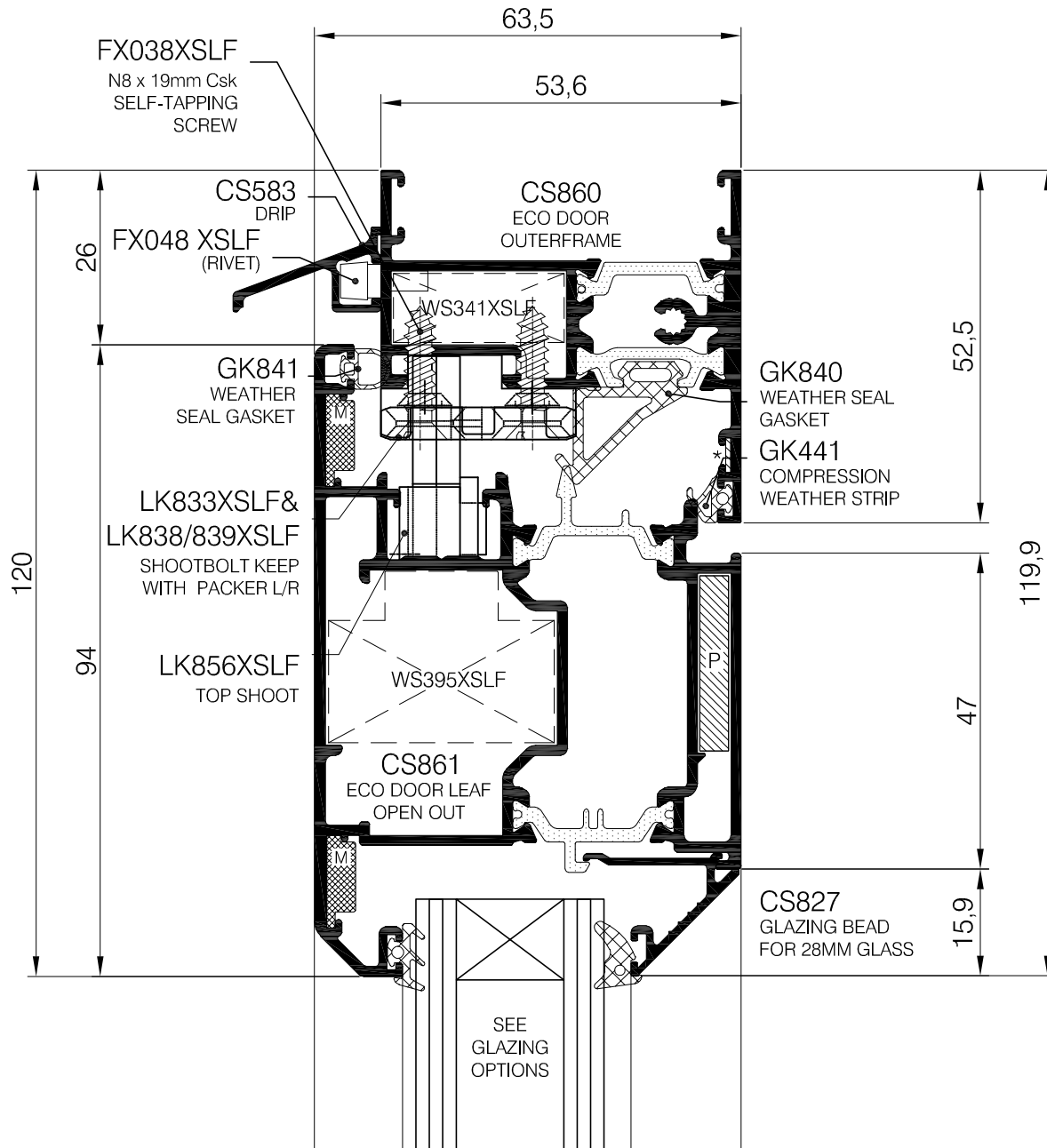
Copyright & ownership of this drawing is vested in COMAR Architectural Aluminium Systems, whose prior written consent is required for its use, reproduction or publication to any third party. All other rights reserved. Subject to modifications without prior notification

NOTE: TO FIX FX034XSLF, IT MUST BE PLACED AT 85 mm FROM THE CORNER. THEN, EVERY 250 mm ALONG THE PROFILE.



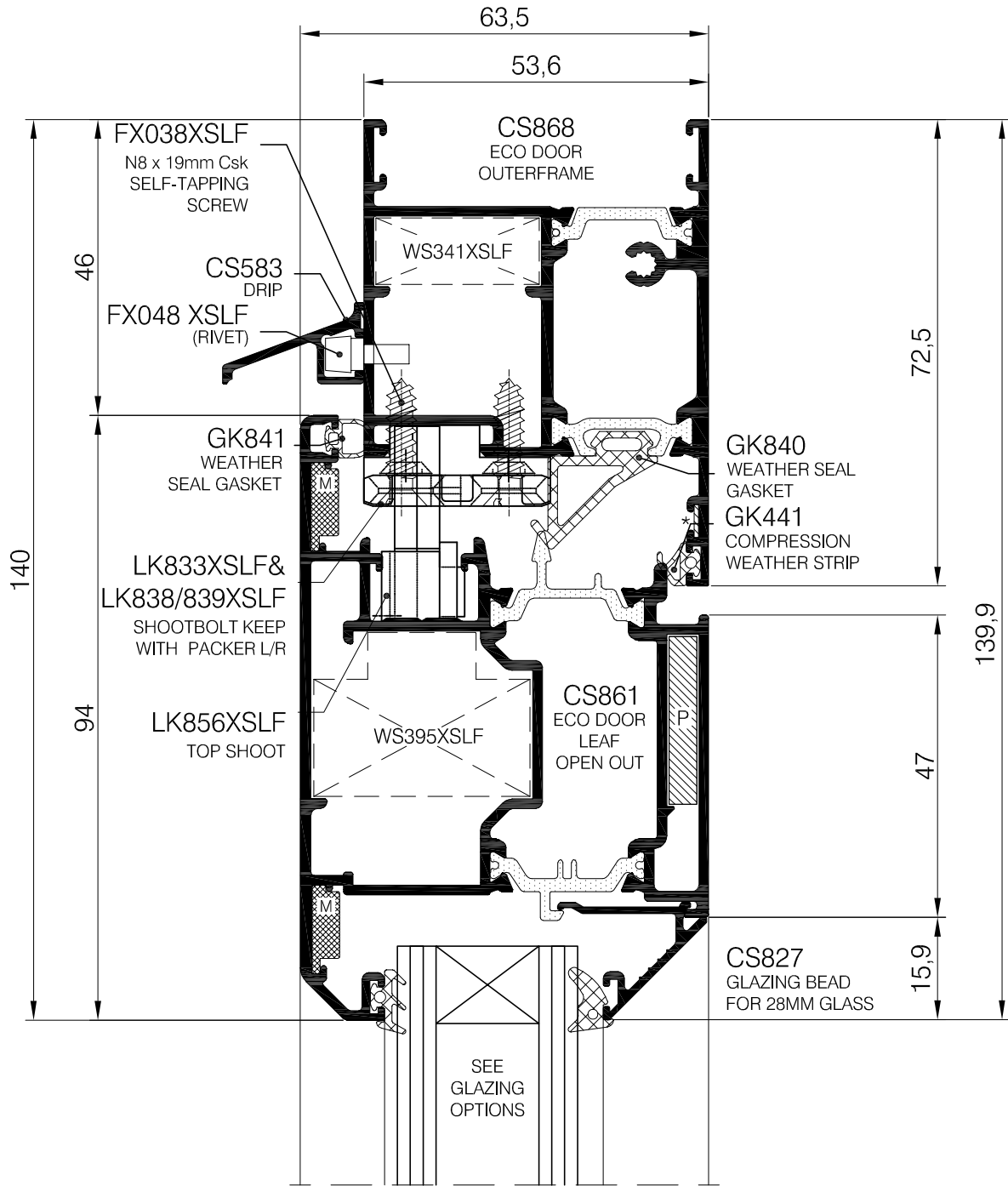
M DENOTES WS416XSLF ALIGNMENT SQUARE
P DENOTES WS172XSLF CORNER CLEAT
Δ FOR DRAINAGE DETAIL SEE PAGE 3.07/08/09

Copyright & ownership of this drawing is vested in COMAR Architectural Aluminium Systems, whose prior written consent is required for its use, reproduction or publication to any third party. All other rights reserved. Subject to modifications without prior notification



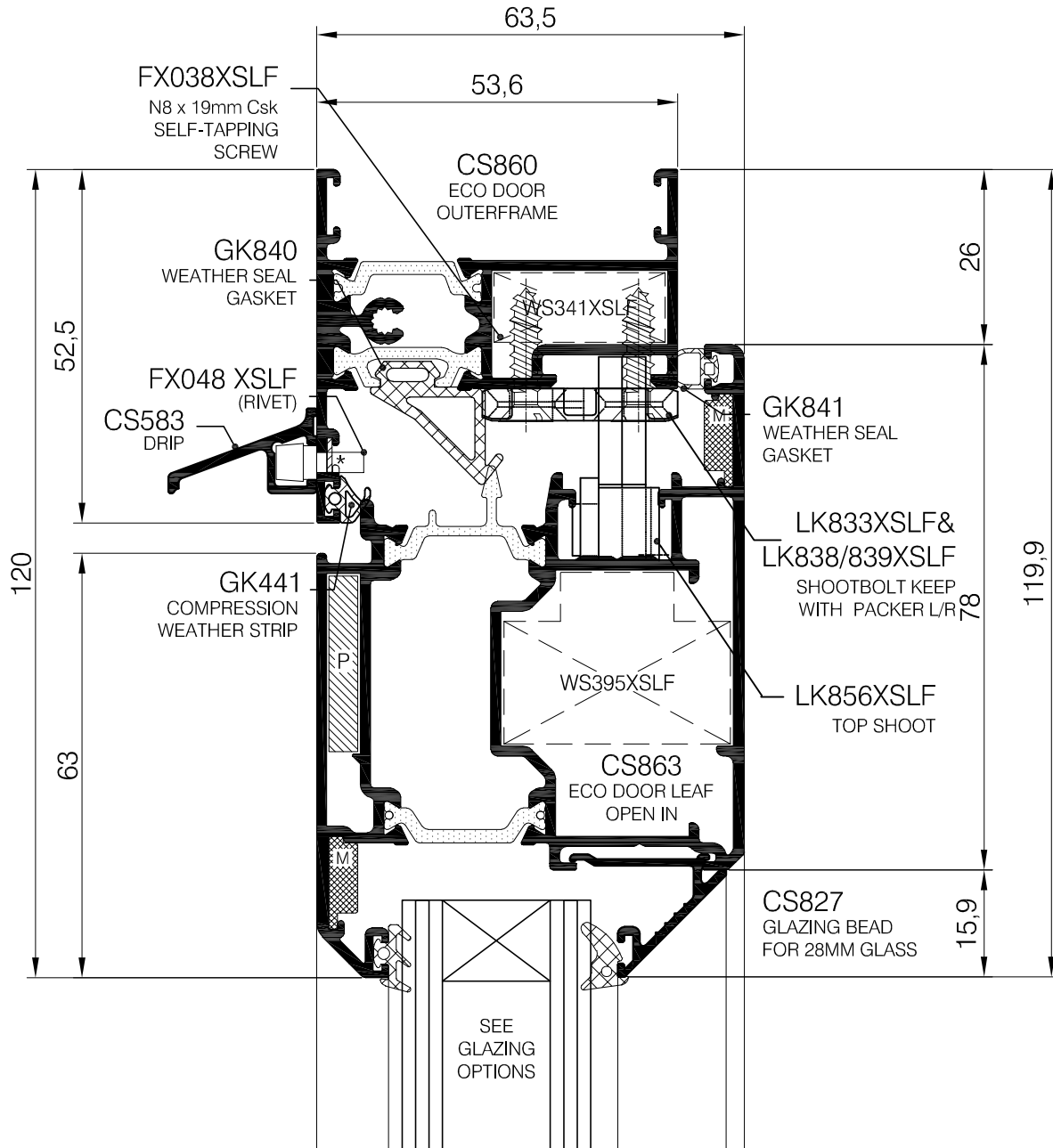
M DENOTES WS416XSLF ALIGNMENT SQUARE
 P DENOTES WS172XSLF CORNER CLEAT
 * DENOTES WS515 CHEVRON

Copyright & ownership of this drawing is vested in COMAR Architectural Aluminium Systems, whose prior written consent is required for its use, reproduction or publication to any third party. All other rights reserved. Subject to modifications without prior notification



M DENOTES WS416XSLF ALIGNMENT SQUARE
P DENOTES WS172XSLF CORNER CLEAT
* DENOTES WS515 CHEVRON

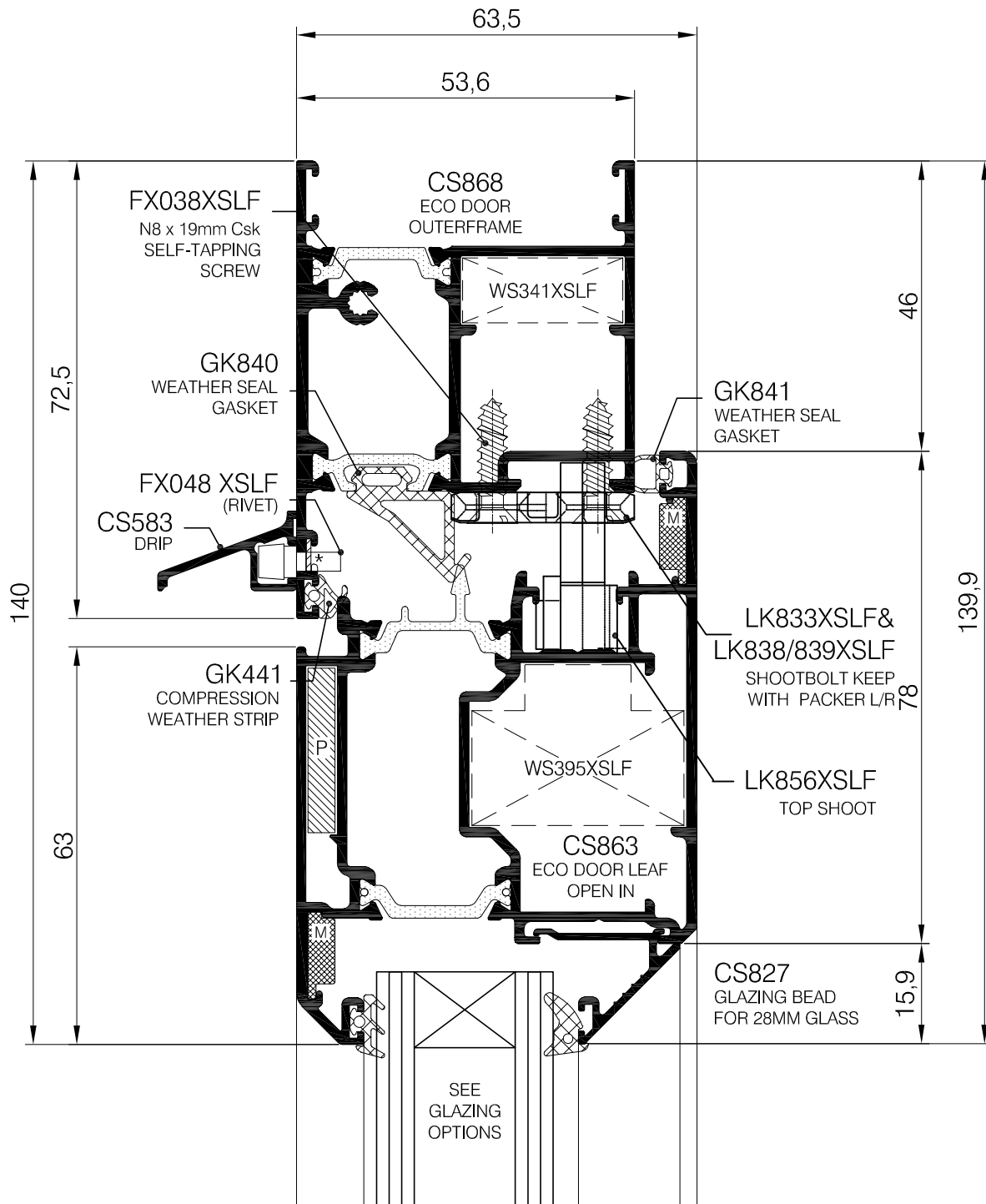
Copyright & ownership of this drawing is vested in COMAR Architectural Aluminium Systems, whose prior written consent is required for its use, reproduction or publication to any third party. All other rights reserved. Subject to modifications without prior notification



M DENOTES WS416XSFLF ALIGNMENT SQUARE
 P DENOTES WS172XSFLF CORNER CLEAT
 * DENOTES WS515 CHEVRON

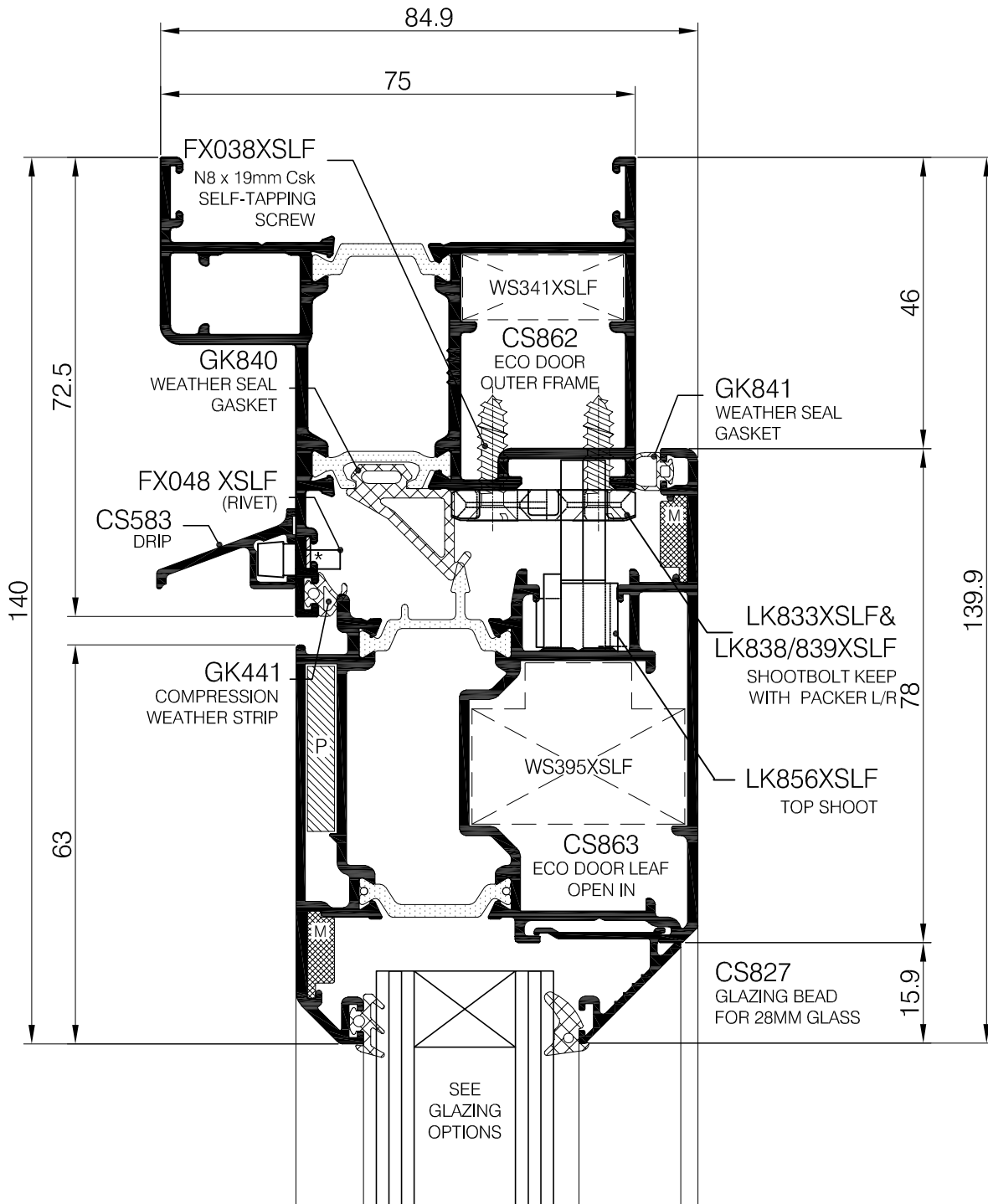
Copyright & ownership of this drawing is vested in COMAR Architectural Aluminium Systems, whose prior written consent is required for its use, reproduction or publication to any third party. All other rights reserved. Subject to modifications without prior notification

SCALE	1:1	© A4
DATE	13/06/2018	
DRAWN	OP/SD	
DRG. No.	C7-Pi-RB-EC 2.13R1	



M DENOTES WS416XSLF ALIGNMENT SQUARE
 P DENOTES WS172XSLF CORNER CLEAT
 * DENOTES WS515 CHEVRON

Copyright & ownership of this drawing is vested in COMAR Architectural Aluminium Systems, whose prior written consent is required for its use, reproduction or publication to any third party. All other rights reserved. Subject to modifications without prior notification



M DENOTES WS416XSLF ALIGNMENT SQUARE
 P DENOTES WS172XSLF CORNER CLEAT
 * DENOTES WS515 CHEVRON

Copyright & ownership of this drawing is vested in COMAR Architectural Aluminium Systems, whose prior written consent is required for its use, reproduction or publication to any third party. All other rights reserved. Subject to modifications without prior notification

SCALE	1:1	© A4
DATE	01/11/2018	
DRAWN	KD/BB	
DRG. No.	C7-Pi-RB-EC2.14.1R1	

comar7P*i*

TITLE **POLYAMIDE INSULATED ECO DOORS
THERMALLY EFFICIENT ECO DOOR SYSTEM**

SHEET No.
ECO 2.14.2

SUB TITLE
**INTENTIONALLY
BLANK**

INTENTIONALLY
BLANK



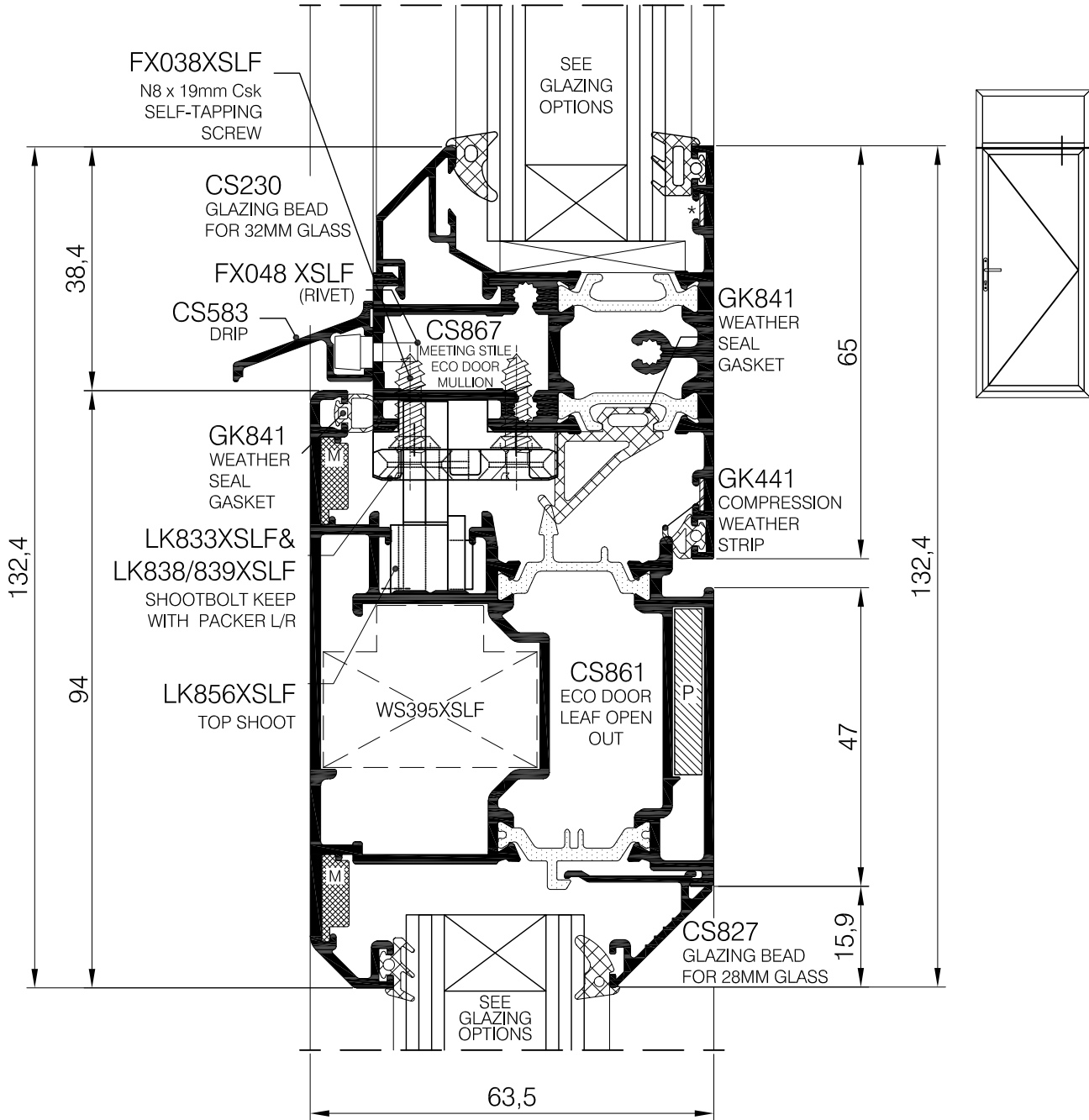
comar
ARCHITECTURAL ALUMINIUM SYSTEMS



Copyright & ownership of this drawing is vested in COMAR Architectural Aluminium Systems, whose prior written consent is required for its use, reproduction or publication to any third party. All other rights reserved. Subject to modifications without prior notification

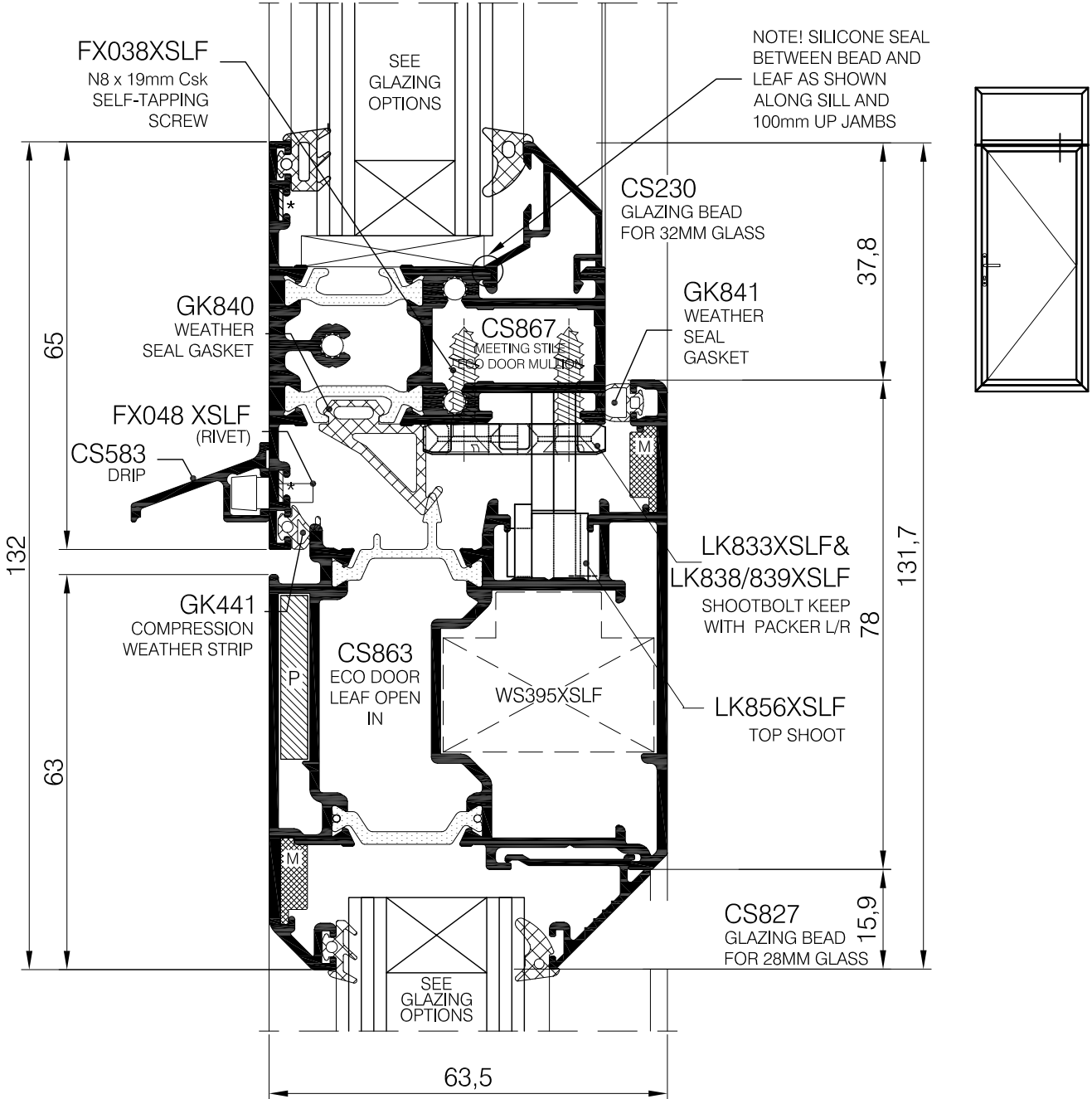
THE PARKSIDE GROUP LTD
UNIT 5 ° THE WILLOW CENTRE
17 WILLOW LANE ° MITCHAM
SURREY ° CR4 4NX
Tel: 020-8685 9685 Fax: 020-8687 1142
Email: technical@parksidegrp.co.uk
Web Site: <http://www.comar-alu.co.uk>

SCALE	1:1	© A4
DATE	16/10/2017	
DRAWN	KD	
DRG. No.	C7-Pi-RB-EC 2.14.2	



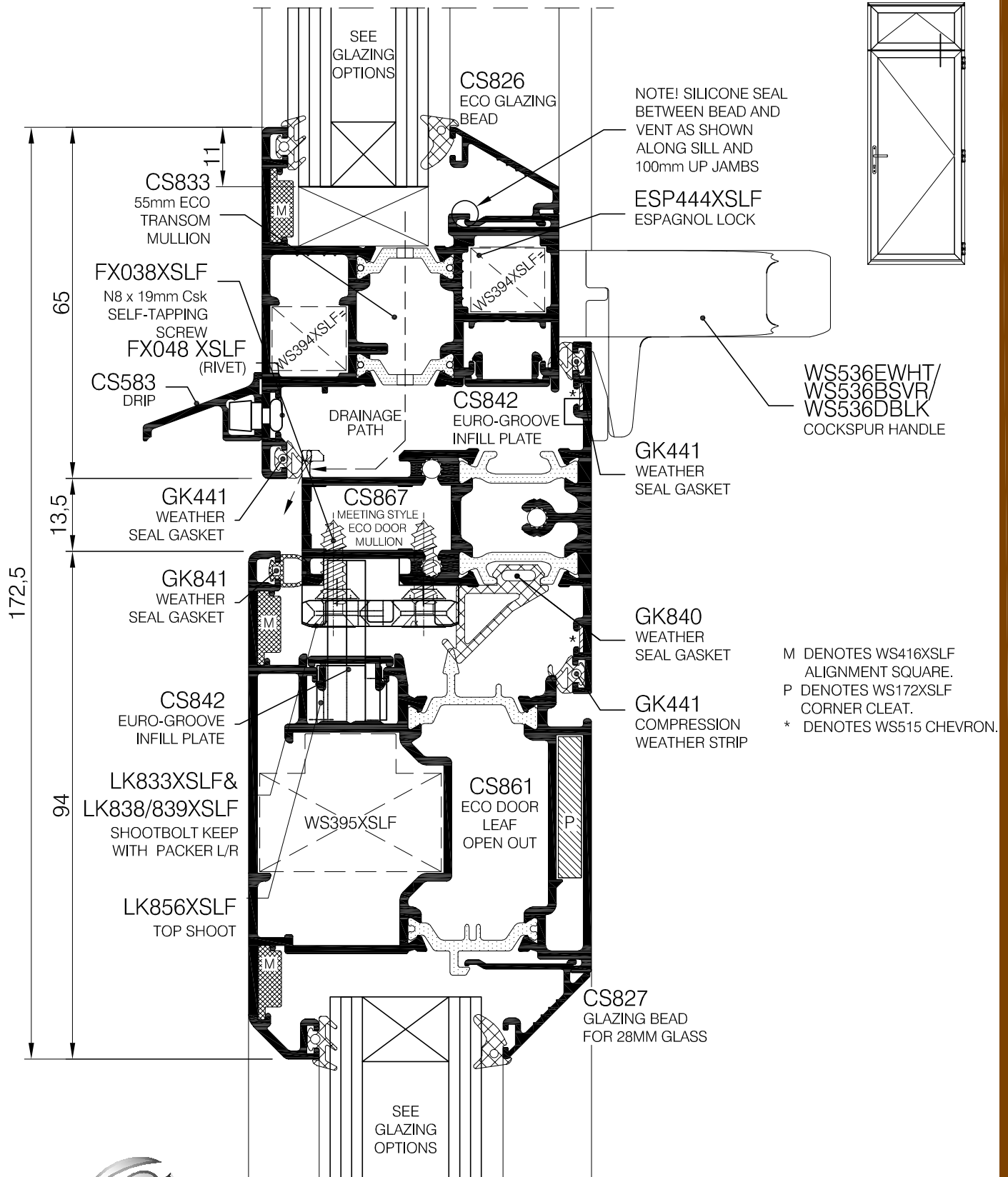
M DENOTES WS416XSFLF ALIGNMENT SQUARE
 P DENOTES WS172XSFLF CORNER CLEAT
 * DENOTES WS515 CHEVRON

Copyright & ownership of this drawing is vested in COMAR Architectural Aluminium Systems, whose prior written consent is required for its use, reproduction or publication to any third party. All other rights reserved. Subject to modifications without prior notification



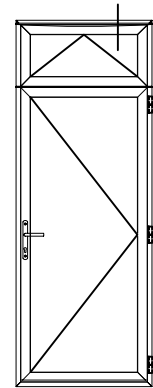
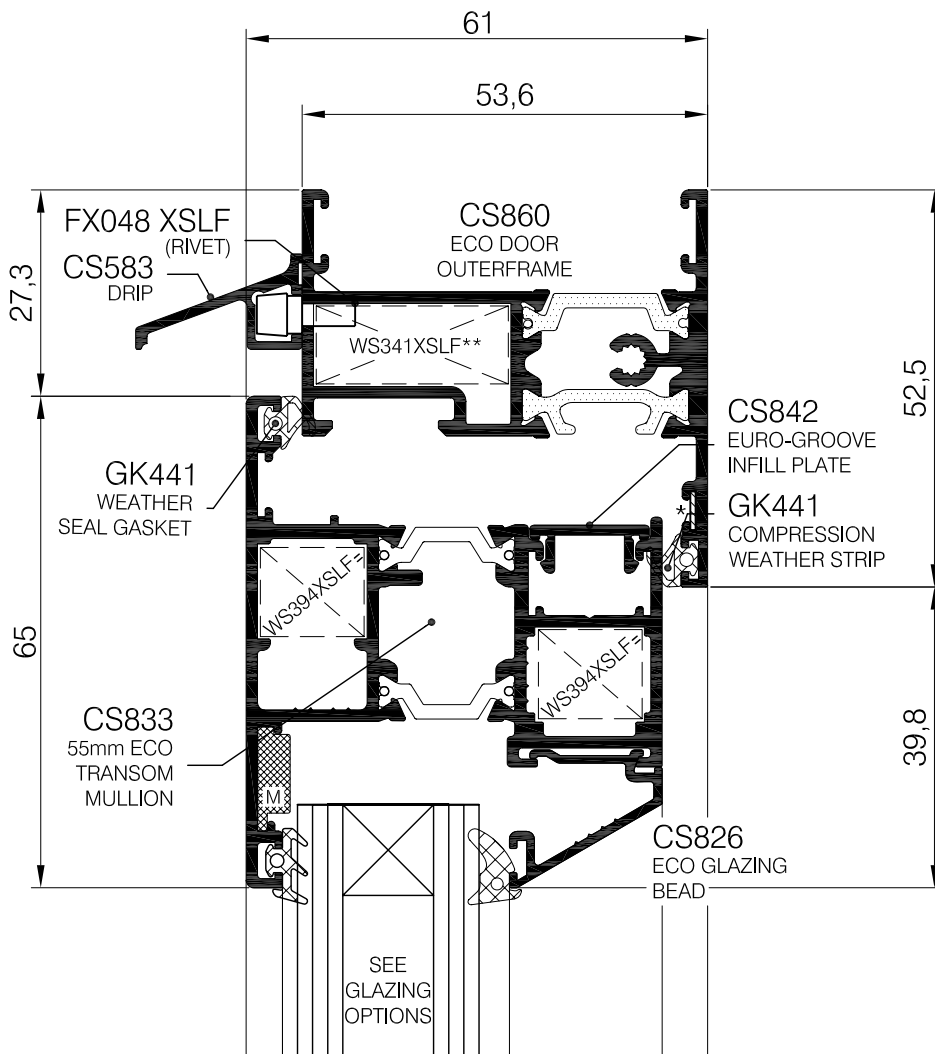
M DENOTES WS416XSLF ALIGNMENT SQUARE
P DENOTES WS172XSLF CORNER CLEAT
* DENOTES WS515 CHEVRON

Copyright & ownership of this drawing is vested in COMAR Architectural Aluminium Systems, whose prior written consent is required for its use, reproduction or publication to any third party. All other rights reserved. Subject to modifications without prior notification



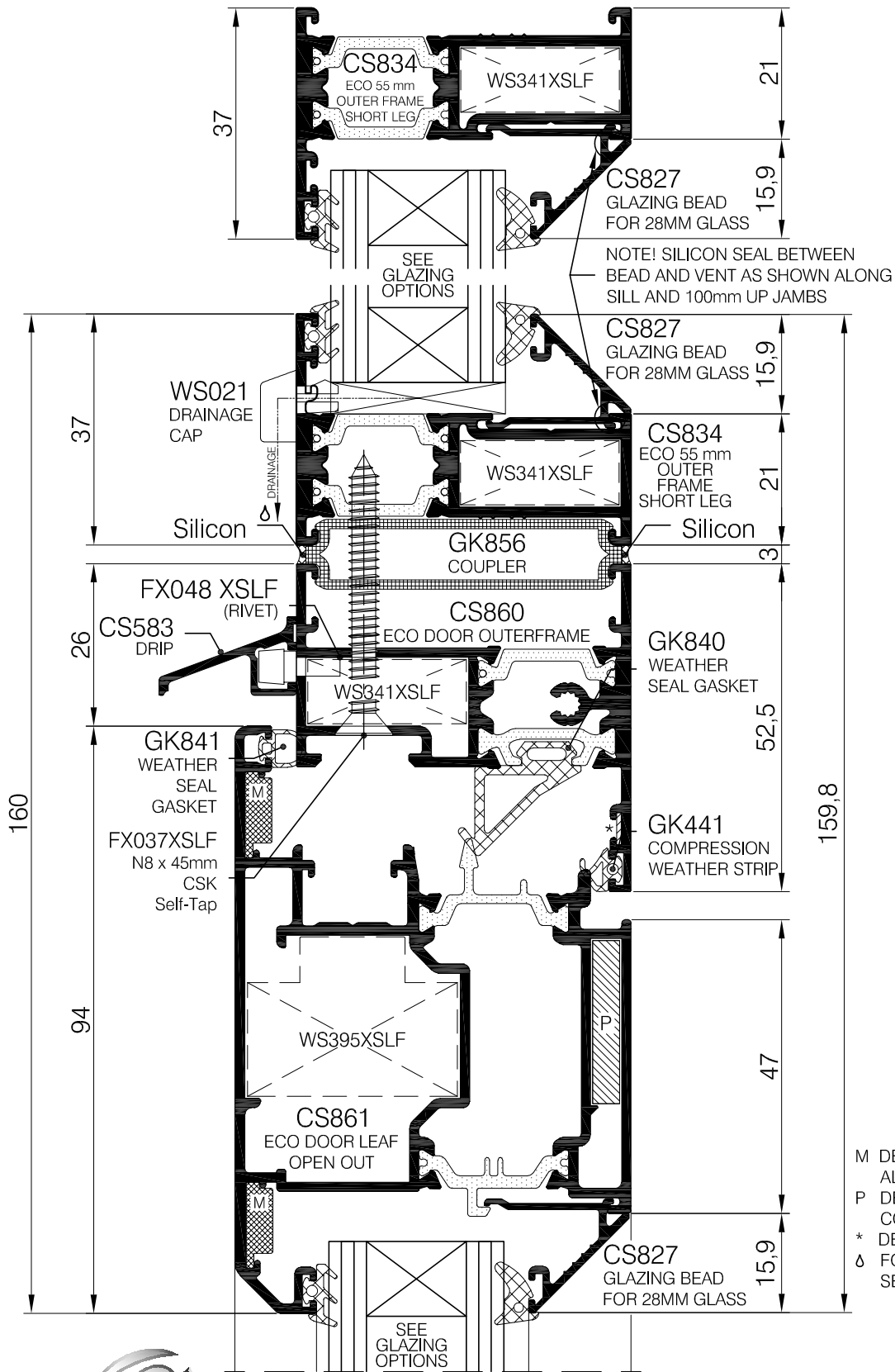
Copyright & ownership of this drawing is vested in COMAR Architectural Aluminium Systems, whose prior written consent is required for its use, reproduction or publication to any third party. All other rights reserved. Subject to modifications without prior notification

SCALE	1:1	© A4
DATE	01/11/2018	
DRAWN	OP/BB	
DRG. No.	C7-Pi-RB-EC 2.17R1	



M DENOTES WS416XSLF ALIGNMENT SQUARE
 P DENOTES WS172XSLF CORNER CLEAT
 * DENOTES WS515 CHEVRON

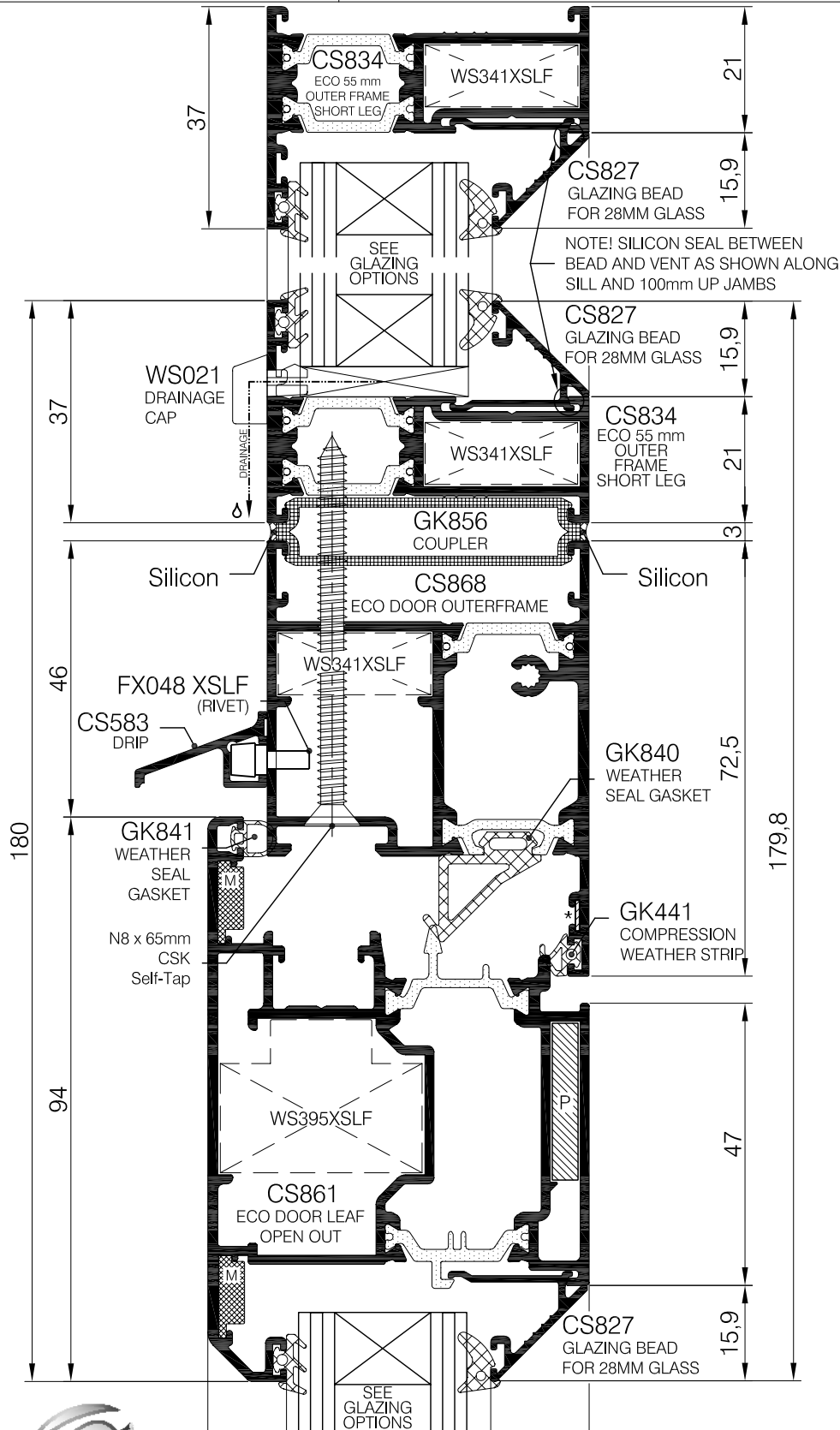
Copyright & ownership of this drawing is vested in COMAR Architectural Aluminium Systems, whose prior written consent is required for its use, reproduction or publication to any third party. All other rights reserved. Subject to modifications without prior notification



- M DENOTES WS416XSLF ALIGNMENT SQUARE
- P DENOTES WS172XSLF CORNER CLEAT
- * DENOTES WS515 CHEVRON
- △ FOR DRAINAGE DETAIL SEE PAGE 3.07/08/09

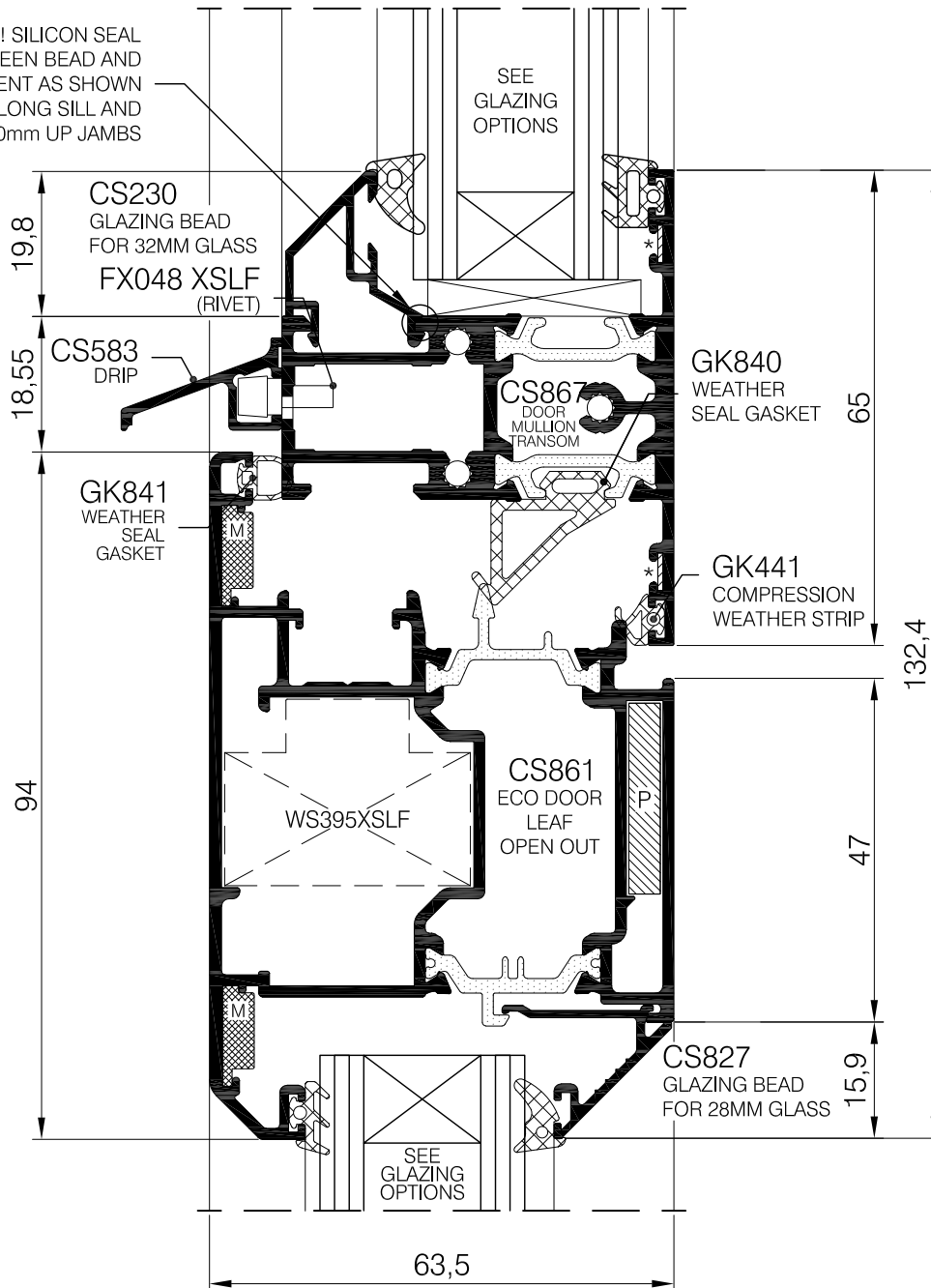
Copyright & ownership of this drawing is vested in COMAR Architectural Aluminium Systems, whose prior written consent is required for its use, reproduction or publication to any third party. All other rights reserved. Subject to modifications without prior notification

SCALE	1:1	© A4
DATE	01/11/2018	
DRAWN	OP/BB	
DRG. No.	C7-Pi-RB-EC 2.19R1	



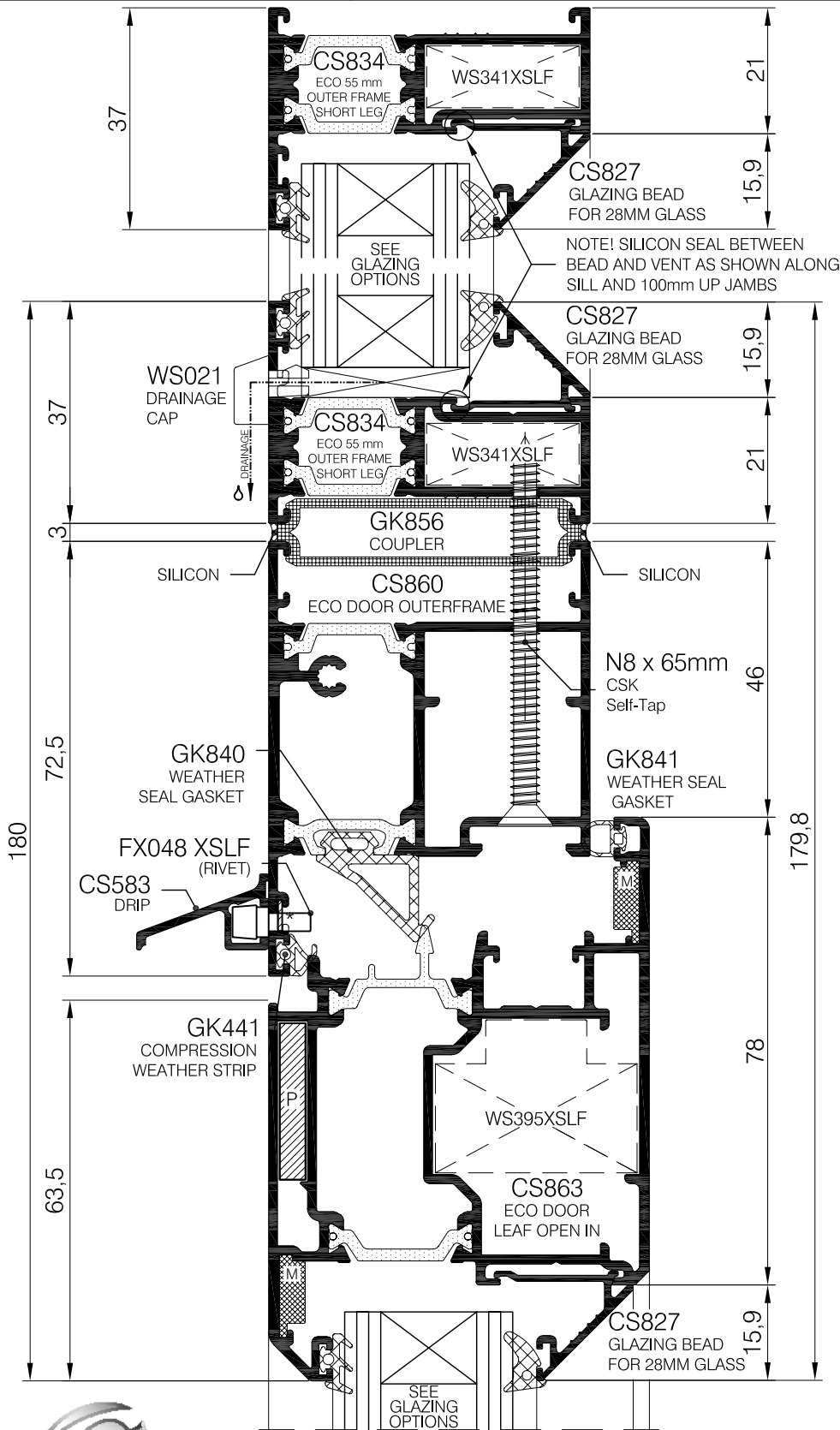
Copyright & ownership of this drawing is vested in COMAR Architectural Aluminium Systems, whose prior written consent is required for its use, reproduction or publication to any third party. All other rights reserved. Subject to modifications without prior notification

NOTE! SILICON SEAL BETWEEN BEAD AND VENT AS SHOWN ALONG SILL AND 100mm UP JAMBS



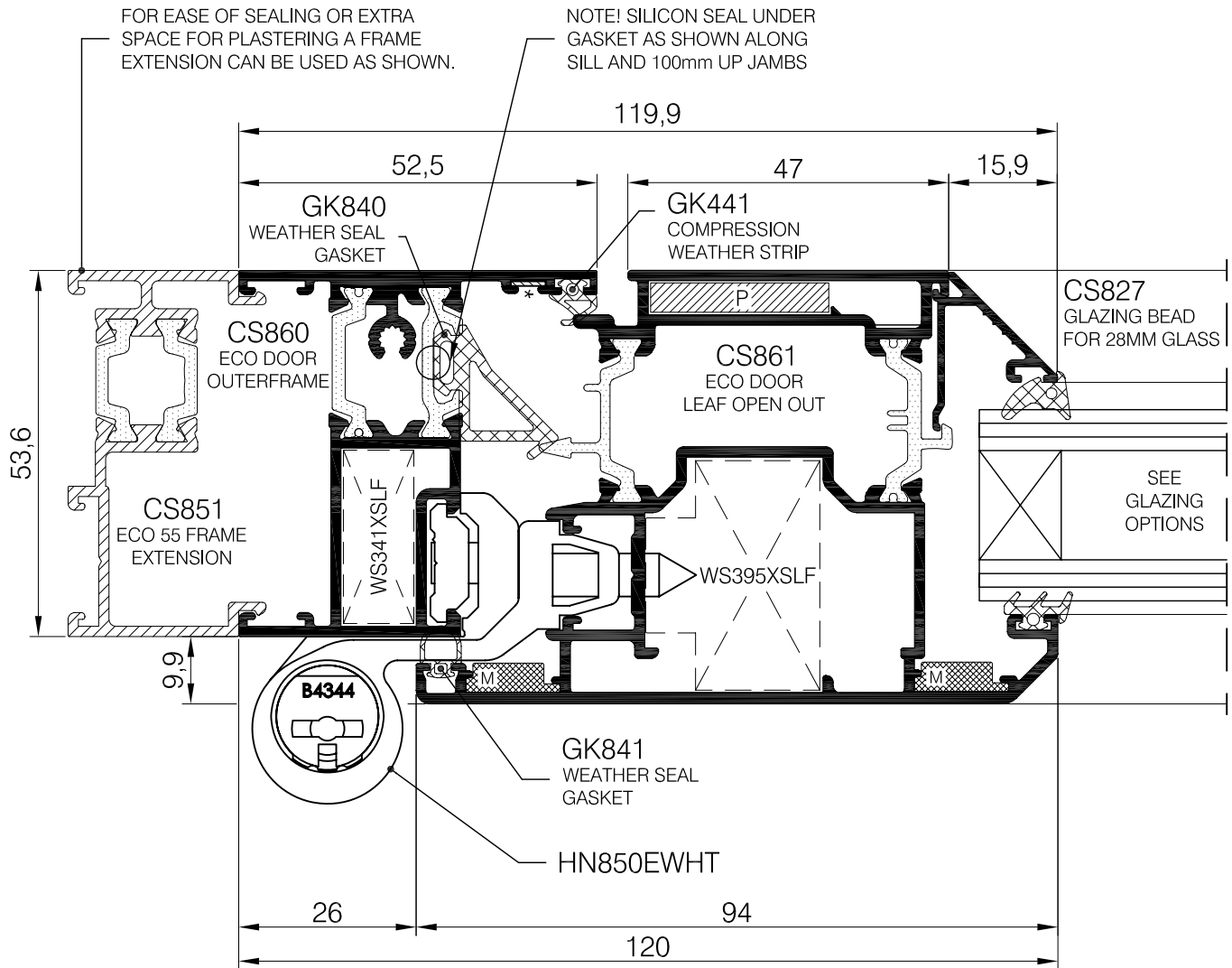
M DENOTES WS416XSLF ALIGNMENT SQUARE
P DENOTES WS172XSLF CORNER CLEAT
* DENOTES WS515 CHEVRON

Copyright & ownership of this drawing is vested in COMAR Architectural Aluminium Systems, whose prior written consent is required for its use, reproduction or publication to any third party. All other rights reserved. Subject to modifications without prior notification



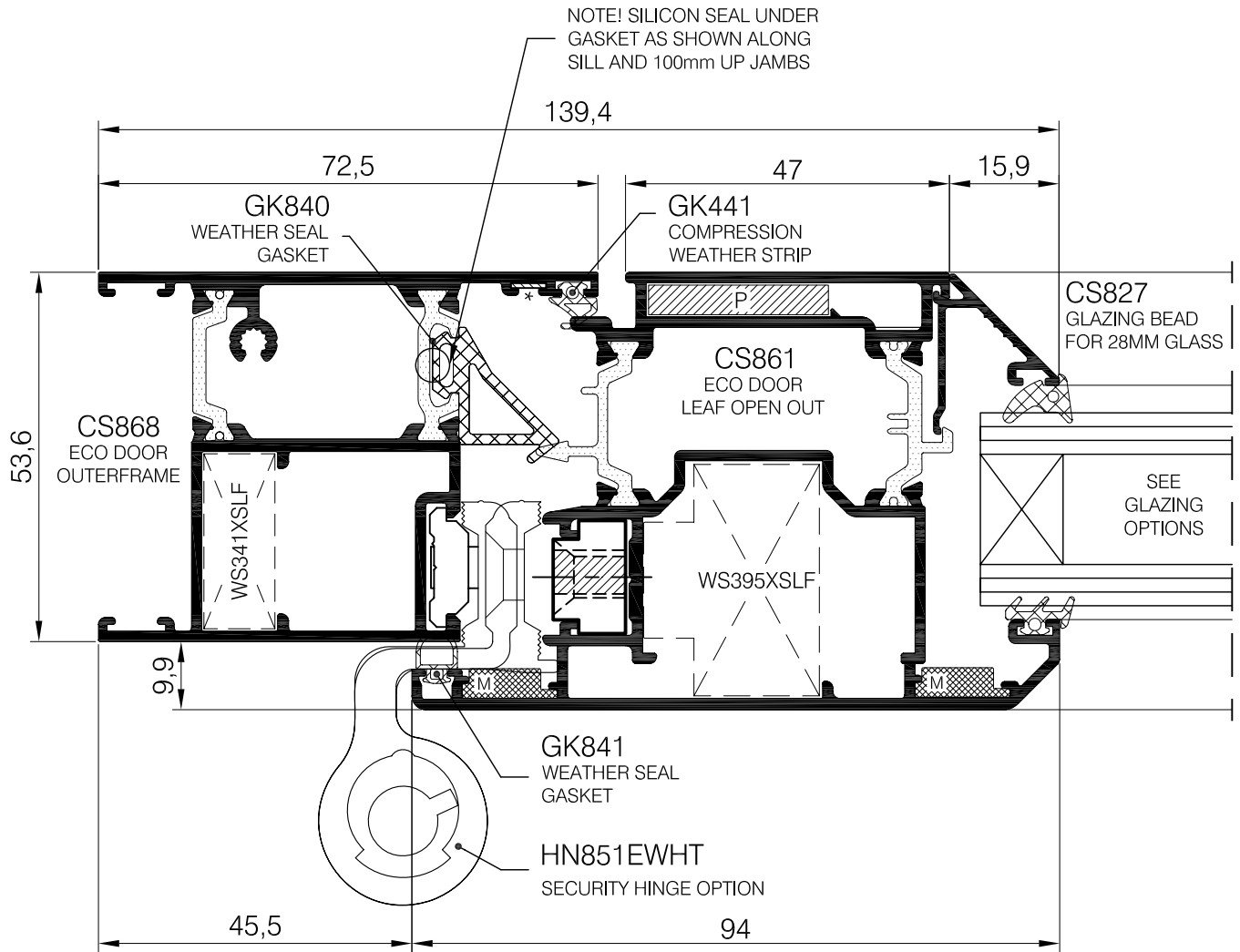
M DENOTES WS416XSLF
ALIGNMENT SQUARE
P DENOTES WS172XSLF
CORNER CLEAT
* DENOTES WS515 CHEVRON
δ FOR DRAINAGE DETAIL
SEE PAGE 3.07/08/09

Copyright & ownership of this drawing is vested in COMAR Architectural Aluminium Systems, whose prior written consent is required for its use, reproduction or publication to any third party. All other rights reserved. Subject to modifications without prior notification



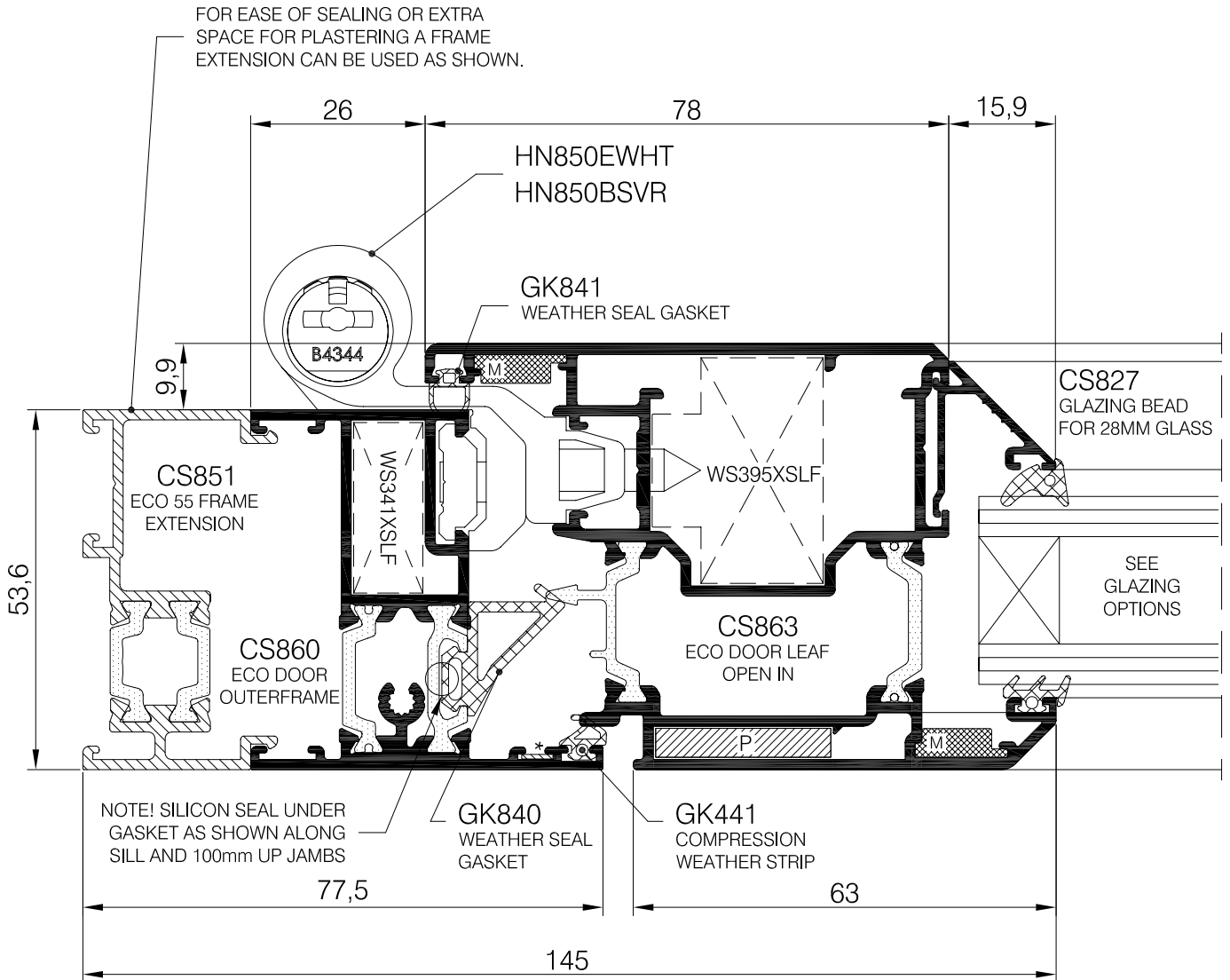
M DENOTES WS416XSLF ALIGNMENT SQUARE
 P DENOTES WS172XSLF CORNER CLEAT
 * DENOTES WS515 CHEVRON

Copyright & ownership of this drawing is vested in COMAR Architectural Aluminium Systems, whose prior written consent is required for its use, reproduction or publication to any third party. All other rights reserved. Subject to modifications without prior notification



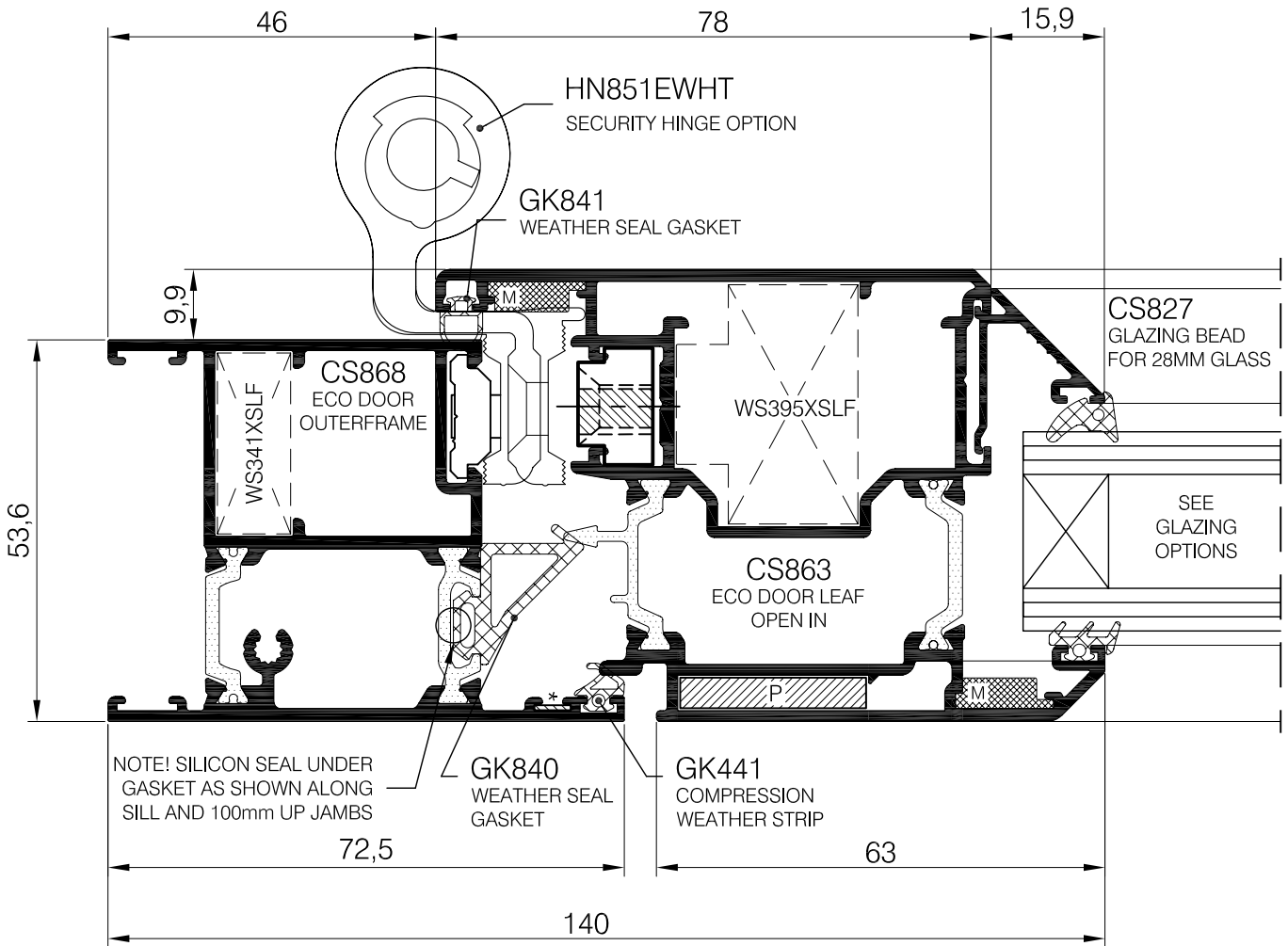
M DENOTES WS416XSLF ALIGNMENT SQUARE
 P DENOTES WS172XSLF CORNER CLEAT
 * DENOTES WS515 CHEVRON

Copyright & ownership of this drawing is vested in COMAR Architectural Aluminium Systems, whose prior written consent is required for its use, reproduction or publication to any third party. All other rights reserved. Subject to modifications without prior notification



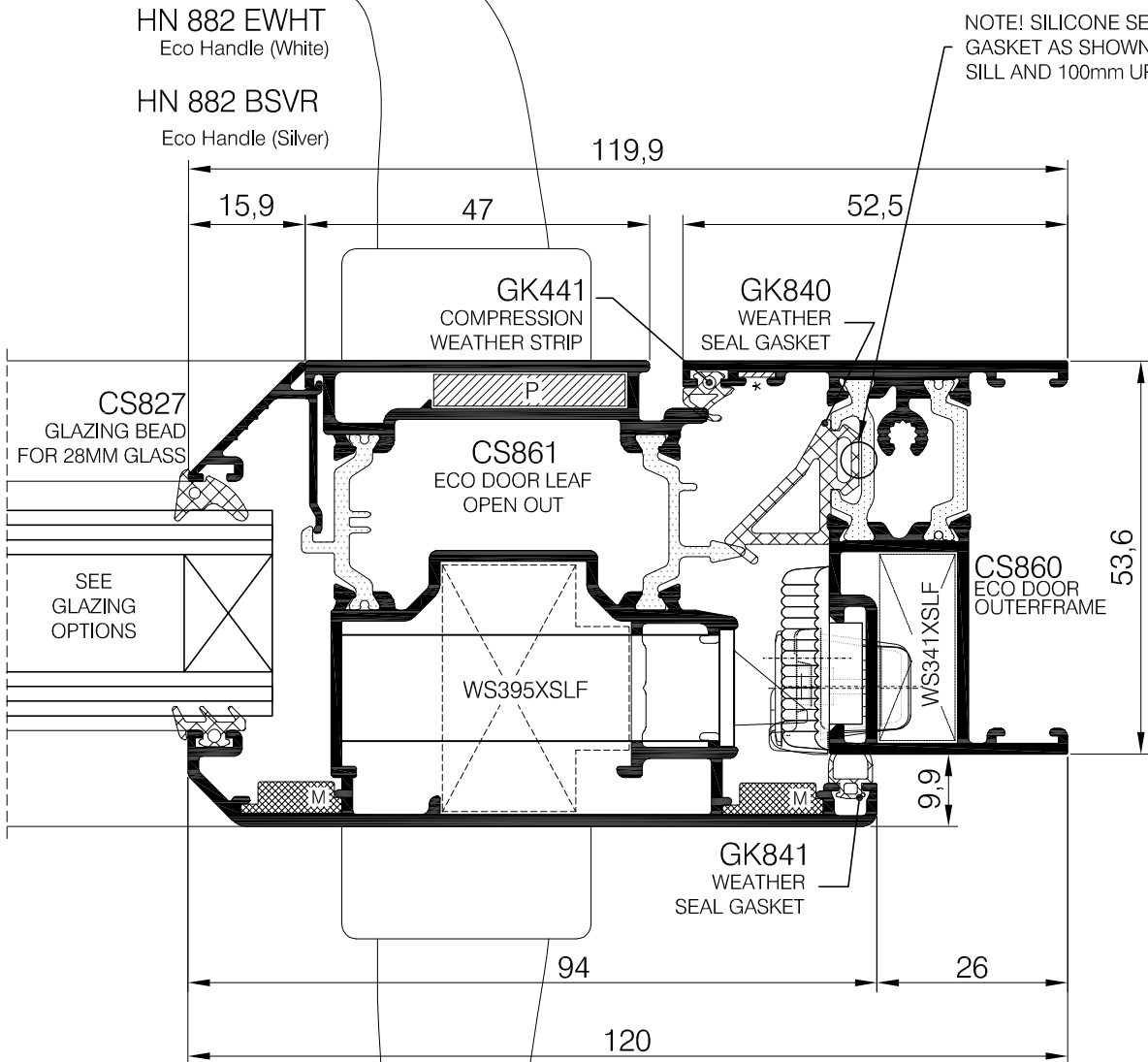
M DENOTES WS416XSLF ALIGNMENT SQUARE
P DENOTES WS172XSLF CORNER CLEAT
* DENOTES WS515 CHEVRON





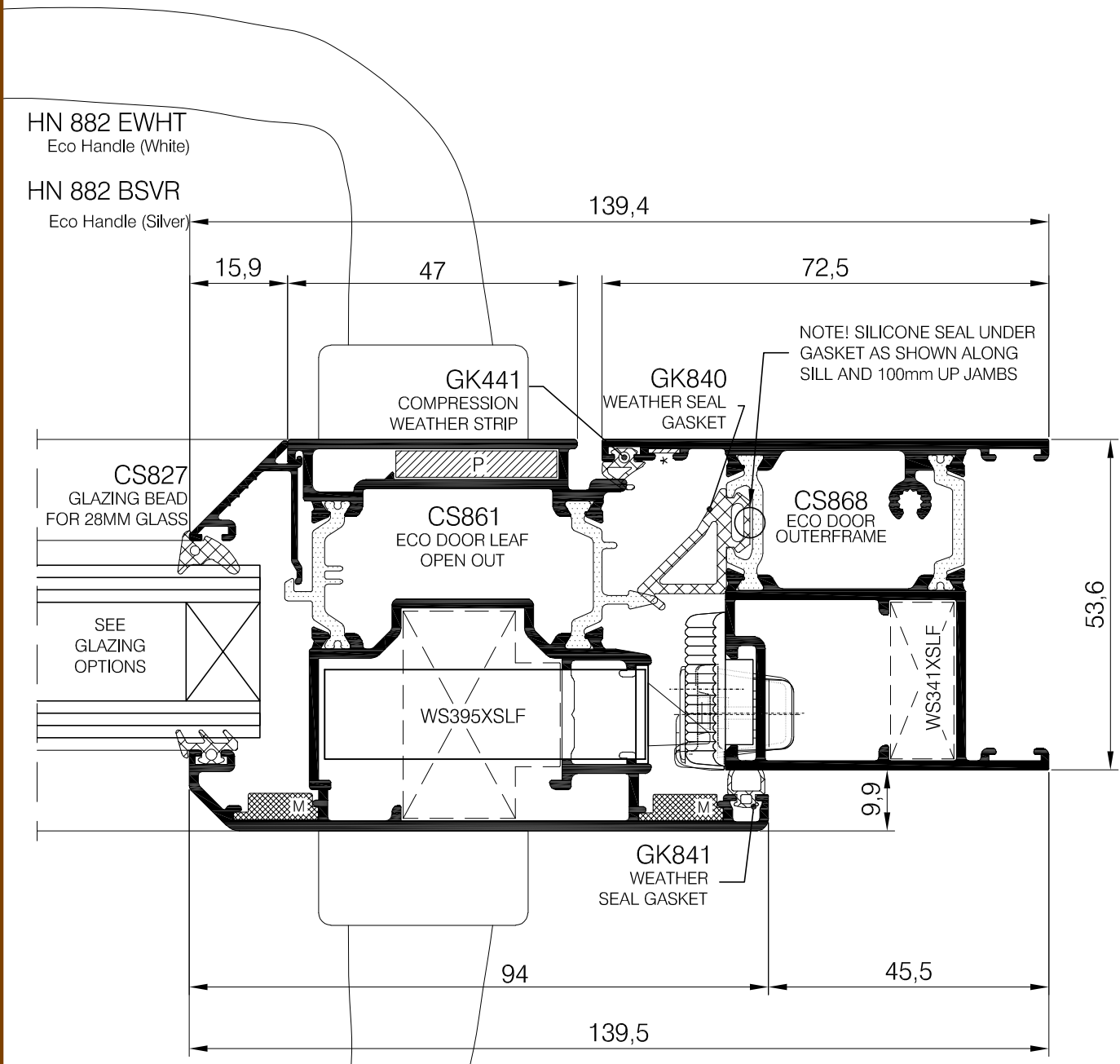
M DENOTES WS416XSFL ALIGNMENT SQUARE
 P DENOTES WS172XSFL CORNER CLEAT
 * DENOTES WS515 CHEVRON

Copyright & ownership of this drawing is vested in COMAR Architectural Aluminium Systems, whose prior written consent is required for its use, reproduction or publication to any third party. All other rights reserved. Subject to modifications without prior notification



M DENOTES WS416XSFL ALIGNMENT SQUARE
 P DENOTES WS172XSFL CORNER CLEAT
 * DENOTES WS515 CHEVRON

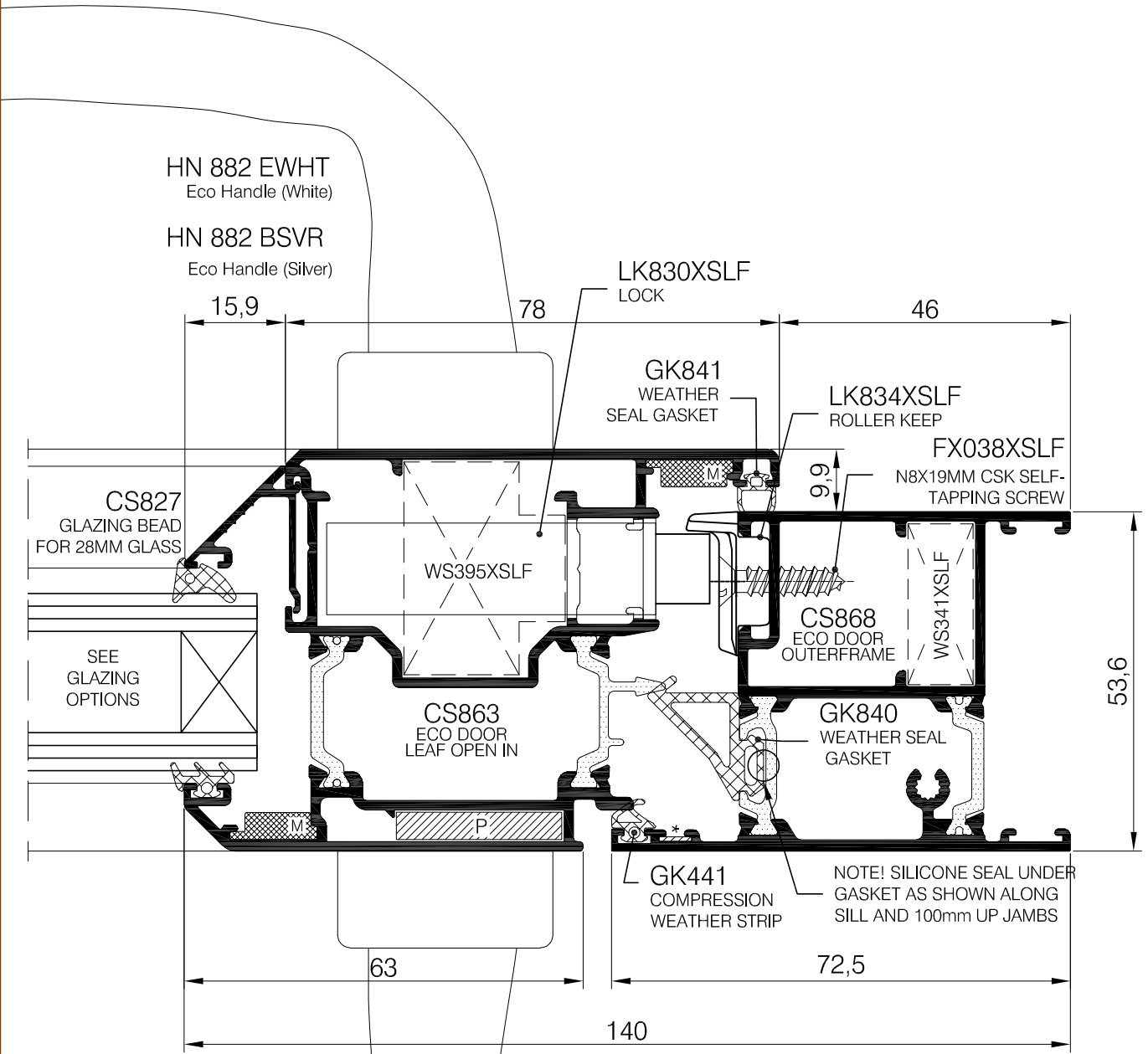
Copyright & ownership of this drawing is vested in COMAR Architectural Aluminium Systems, whose prior written consent is required for its use, reproduction or publication to any third party. All other rights reserved. Subject to modifications without prior notification



M DENOTES WS416XSLF ALIGNMENT SQUARE
P DENOTES WS172XSLF CORNER CLEAT
* DENOTES WS15 CHEVRON

Copyright & ownership of this drawing is vested in COMAR Architectural Aluminium Systems, whose prior written consent is required for its use, reproduction or publication to any third party. All other rights reserved. Subject to modifications without prior notification

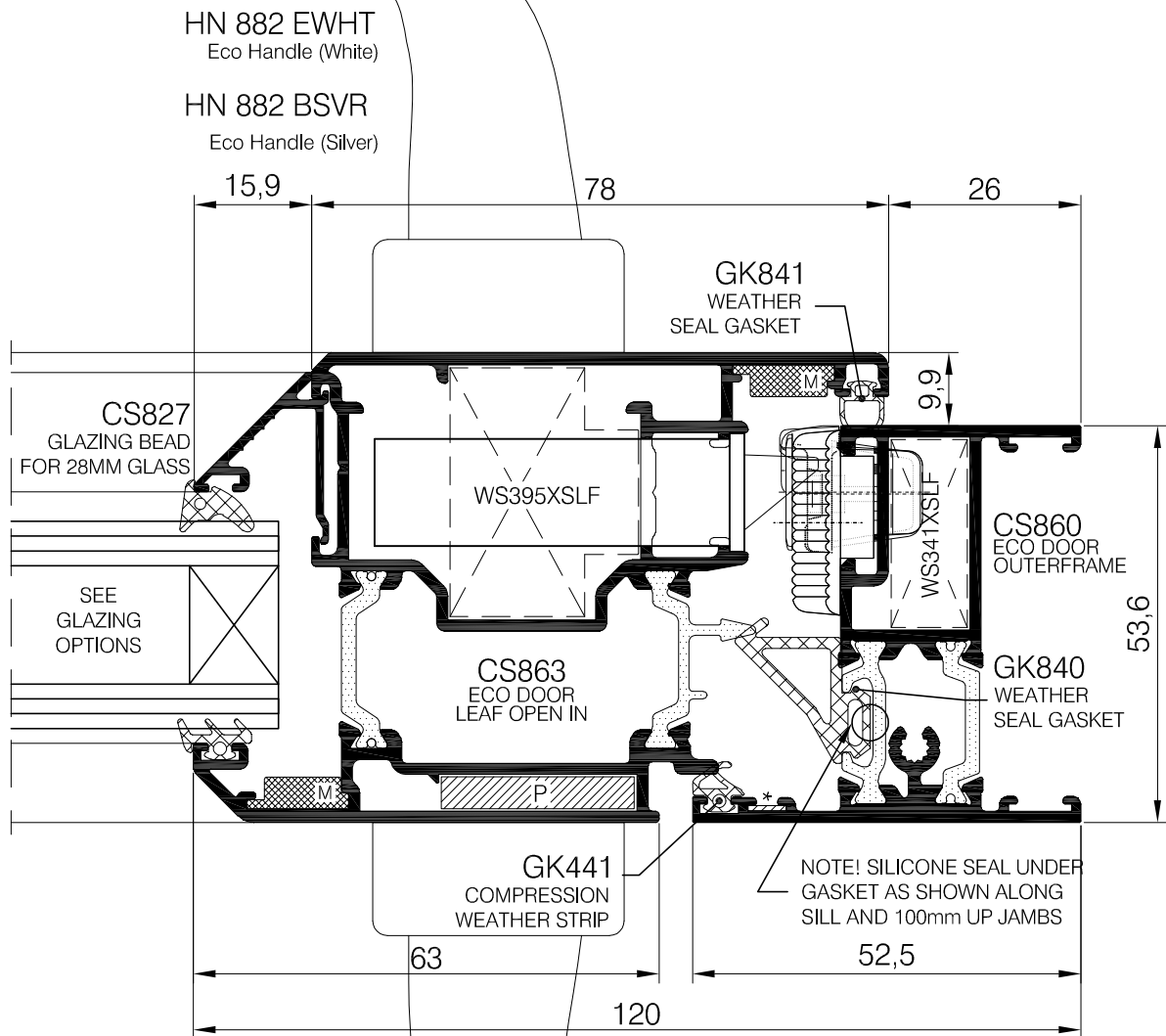
SCALE	1:1	© A4
DATE	01/11/2018	
DRAWN	OP/BB	
DRG. No.	C7-Pi-RB-EC 2.28R1	



M DENOTES WS416XSFL ALIGNMENT SQUARE
 P DENOTES WS172XSFL CORNER CLEAT
 * DENOTES WS515 CHEVRON

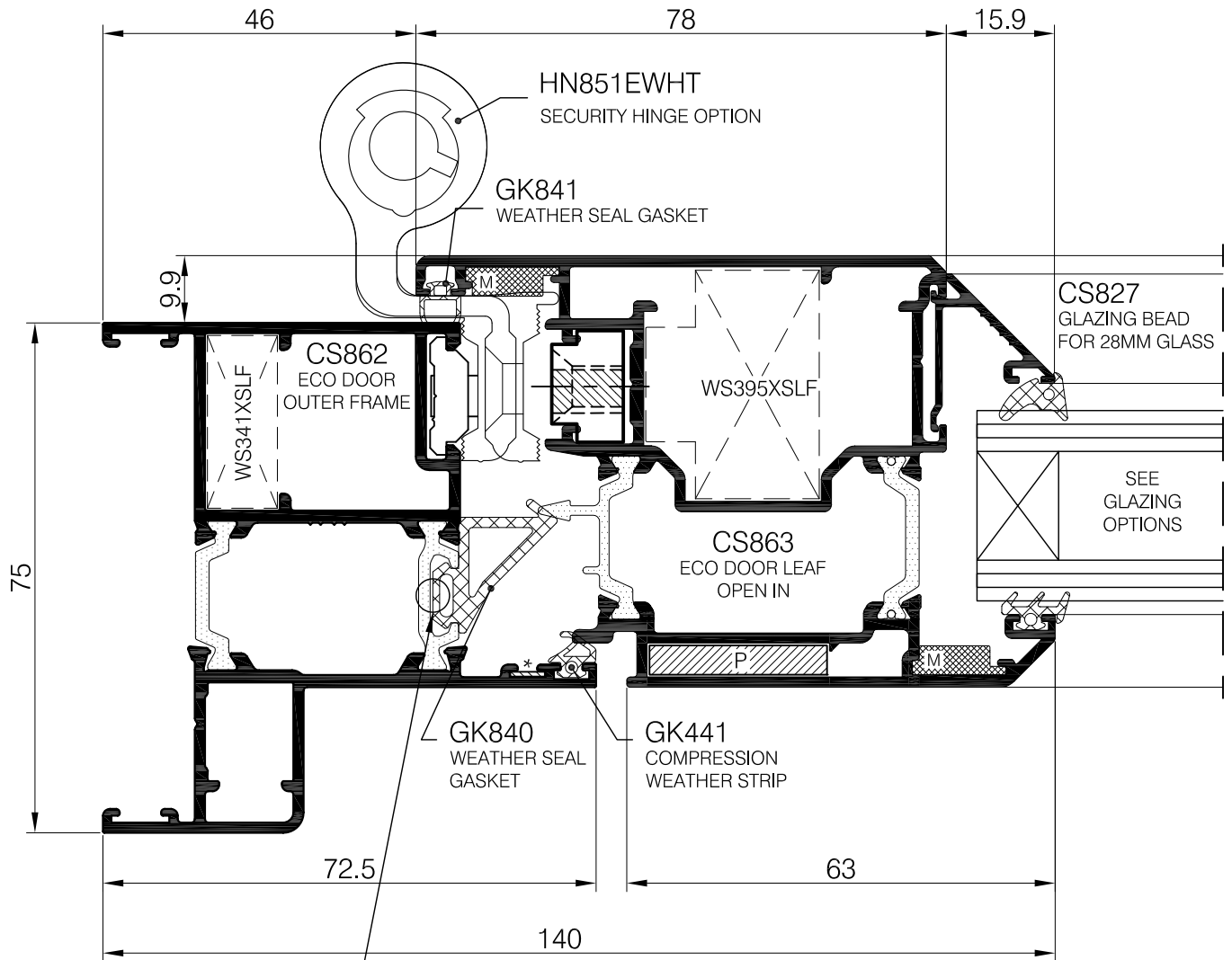
Copyright & ownership of this drawing is vested in COMAR Architectural Aluminium Systems, whose prior written consent is required for its use, reproduction or publication to any third party. All other rights reserved. Subject to modifications without prior notification

SCALE	1:1	© A4
DATE	01/11/2018	
DRAWN	OP/BB	
DRG. No.	C7-Pi-RB-EC 2.29R1	



M DENOTES WS416XSLF ALIGNMENT SQUARE
P DENOTES WS172XSLF CORNER CLEAT
* DENOTES WS515 CHEVRON



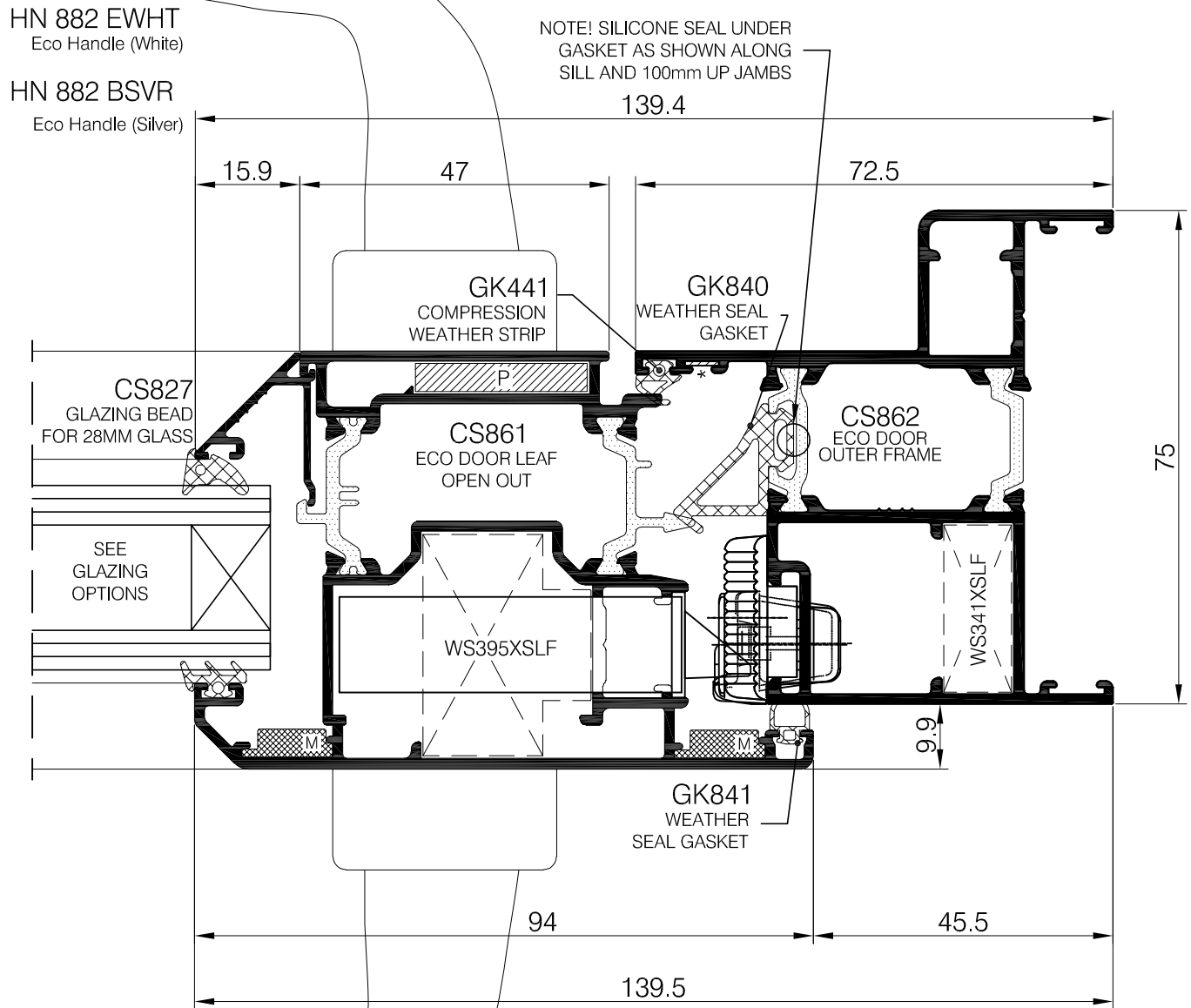


NOTE! SILICON SEAL UNDER GASKET AS SHOWN ALONG SILL AND 100mm UP JAMBS

M DENOTES WS416XSFLF ALIGNMENT SQUARE
 P DENOTES WS172XSFLF CORNER CLEAT
 * DENOTES WS515 CHEVRON

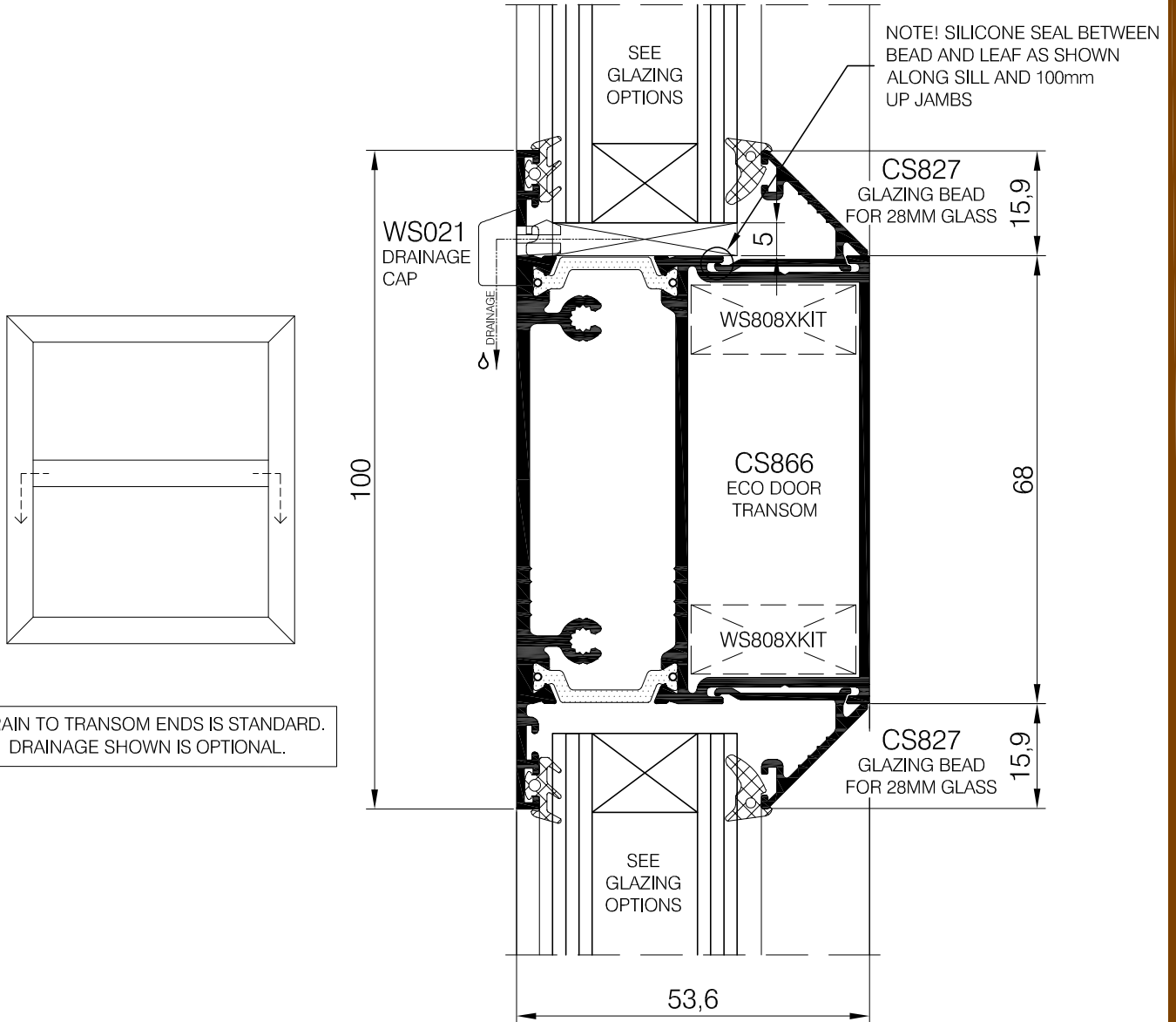


SCALE	1:1	© A4
DATE	16/10/2017	
DRAWN	KD	
DRG. No.	C7-Pi-RB-EC 2.30.1	



M DENOTES WS416XSLF ALIGNMENT SQUARE
 P DENOTES WS172XSLF CORNER CLEAT
 * DENOTES WS515 CHEVRON

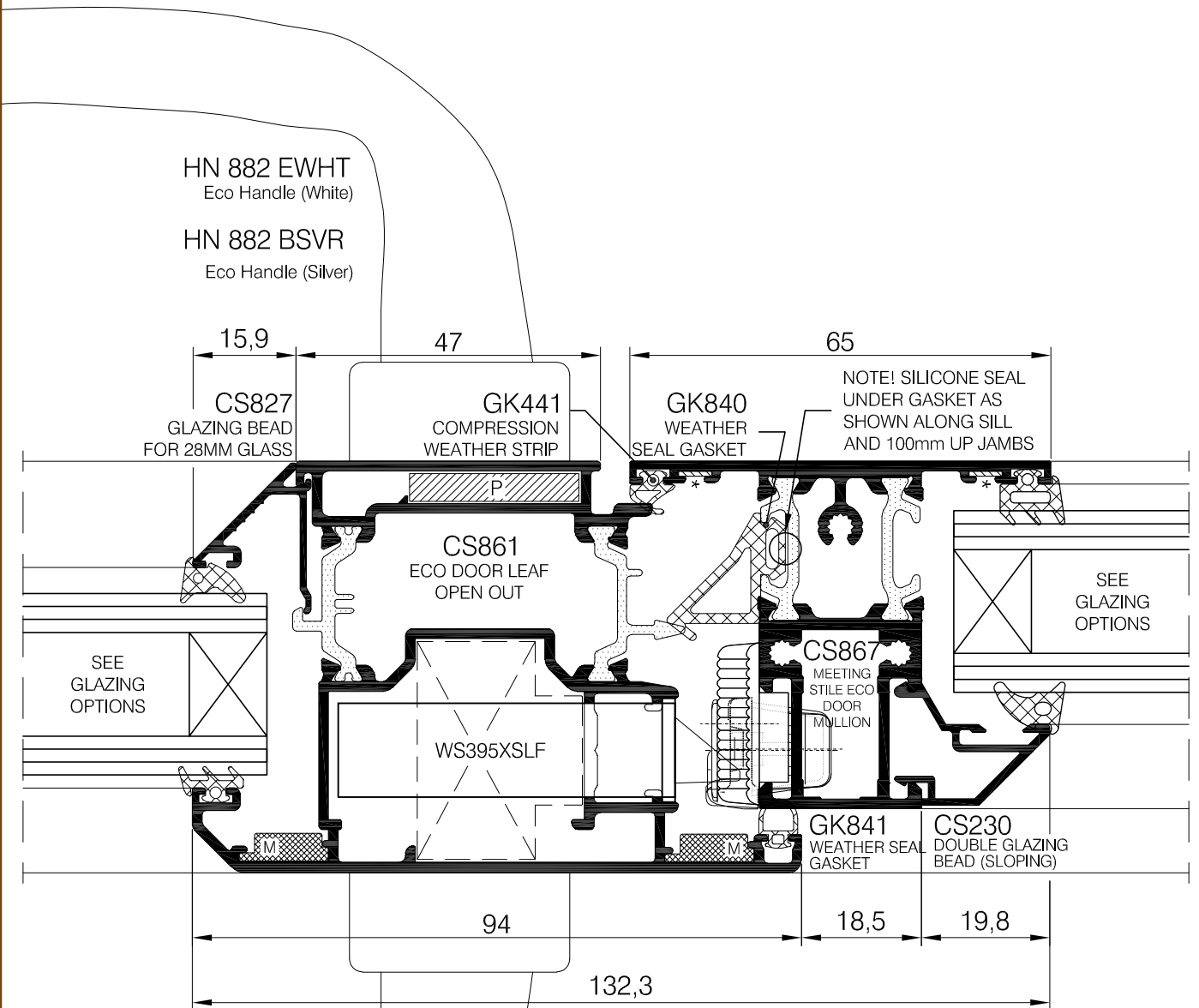
Copyright & ownership of this drawing is vested in COMAR Architectural Aluminium Systems, whose prior written consent is required for its use, reproduction or publication to any third party. All other rights reserved. Subject to modifications without prior notification



DRAIN TO TRANSOM ENDS IS STANDARD.
DRAINAGE SHOWN IS OPTIONAL.

Δ FOR DRAINAGE DETAIL SEE PAGE 3.09

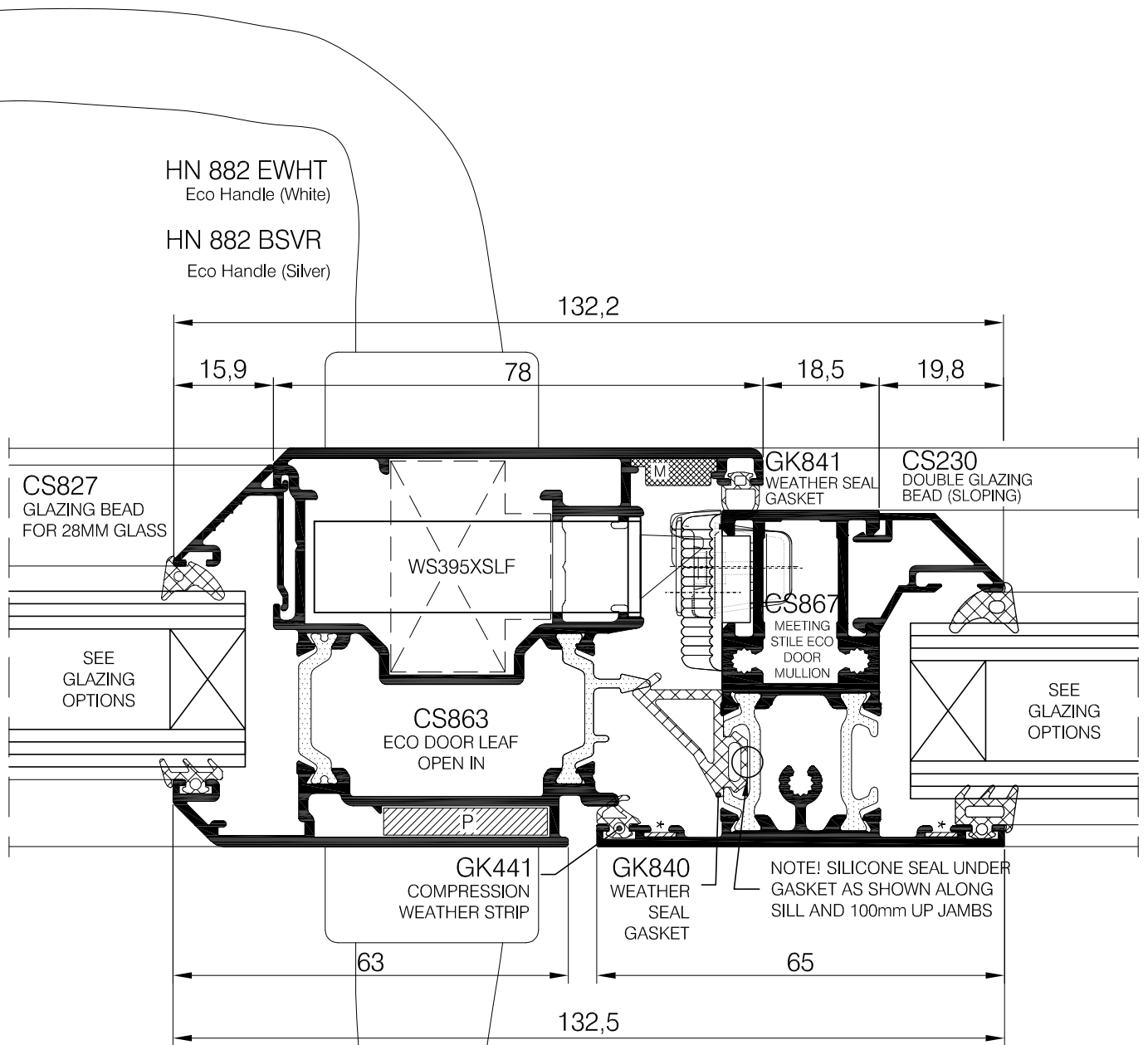
Copyright & ownership of this drawing is vested in COMAR Architectural Aluminium Systems, whose prior written consent is required for its use, reproduction or publication to any third party. All other rights reserved. Subject to modifications without prior notification



M DENOTES WS416XSLF ALIGNMENT SQUARE
 P DENOTES WS172XSLF CORNER CLEAT
 * DENOTES WS515 CHEVRON

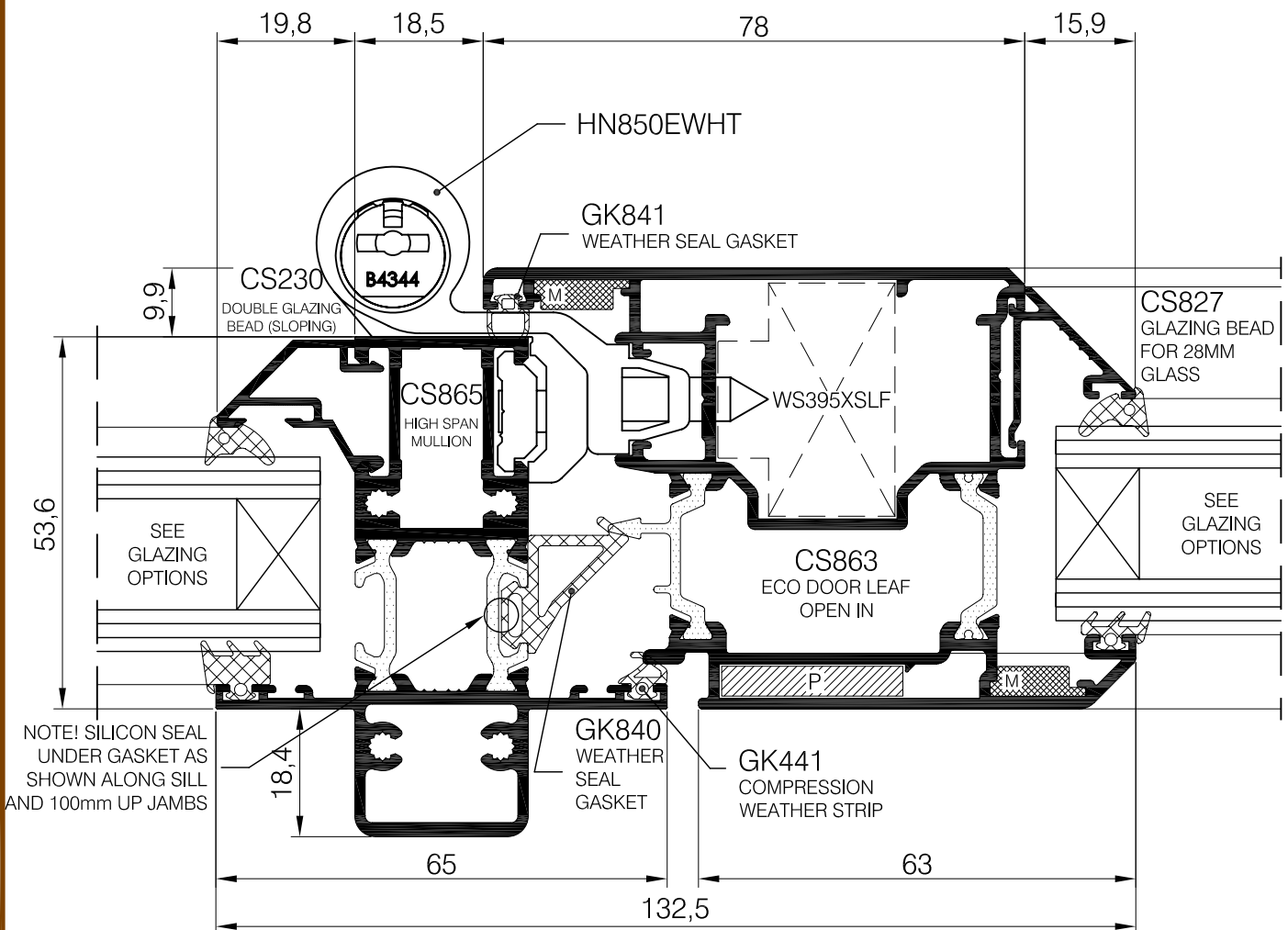
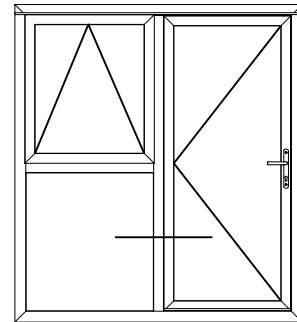


SCALE	1:1	© A4
DATE	01/11/2018	
DRAWN	OP/BB	
DRG. No.	C7-Pi-RB-EC 2.32R1	



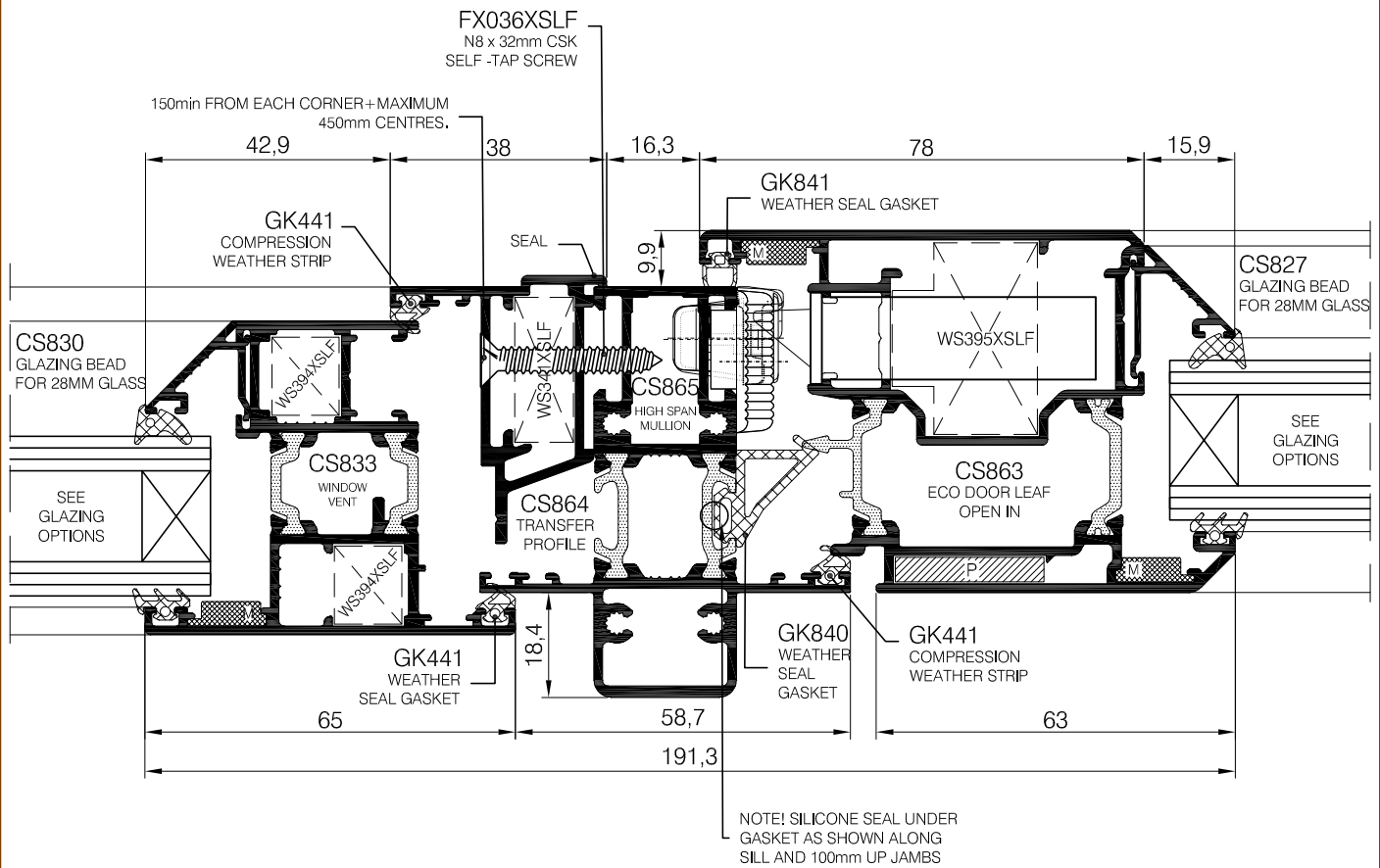
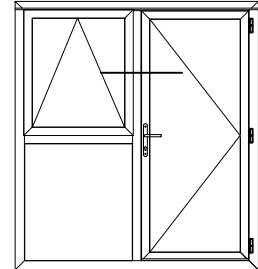
M DENOTES WS416XSLF ALIGNMENT SQUARE
 P DENOTES WS172XSLF CORNER CLEAT
 * DENOTES WS515 CHEVRON

Copyright & ownership of this drawing is vested in COMAR Architectural Aluminium Systems, whose prior written consent is required for its use, reproduction or publication to any third party. All other rights reserved. Subject to modifications without prior notification



M DENOTES WS416XSLF ALIGNMENT SQUARE
P DENOTES WS172XSLF CORNER CLEAT

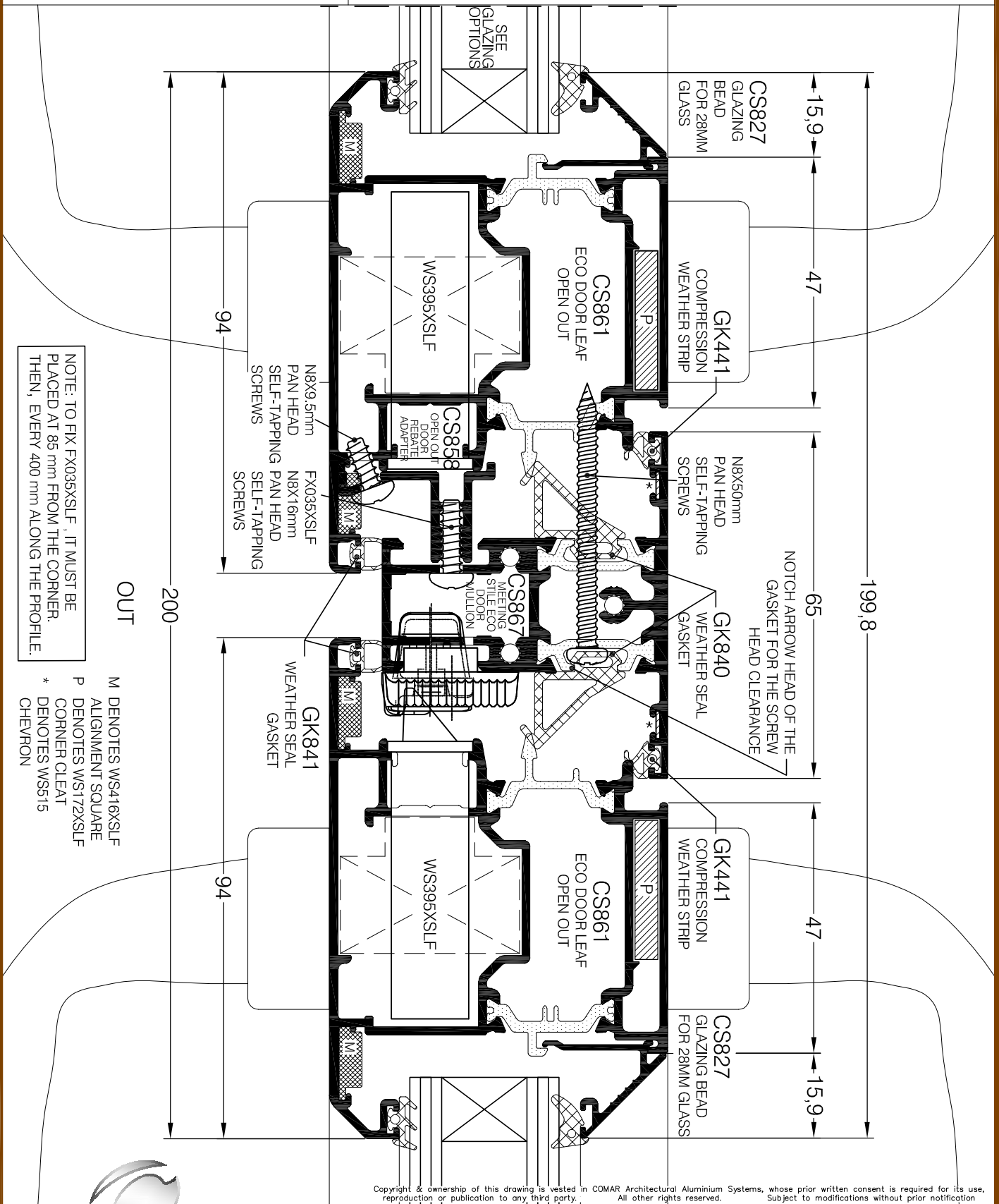
Copyright & ownership of this drawing is vested in COMAR Architectural Aluminium Systems, whose prior written consent is required for its use, reproduction or publication to any third party. All other rights reserved. Subject to modifications without prior notification



M DENOTES WS416XSFLF ALIGNMENT SQUARE
P DENOTES WS172XSFLF CORNER CLEAT



SCALE	N.T.S	© A4
DATE	29/01/2010	
DRAWN	OP/CAD	
DRG. No.	C7-Pi-RB-EC 2.35	

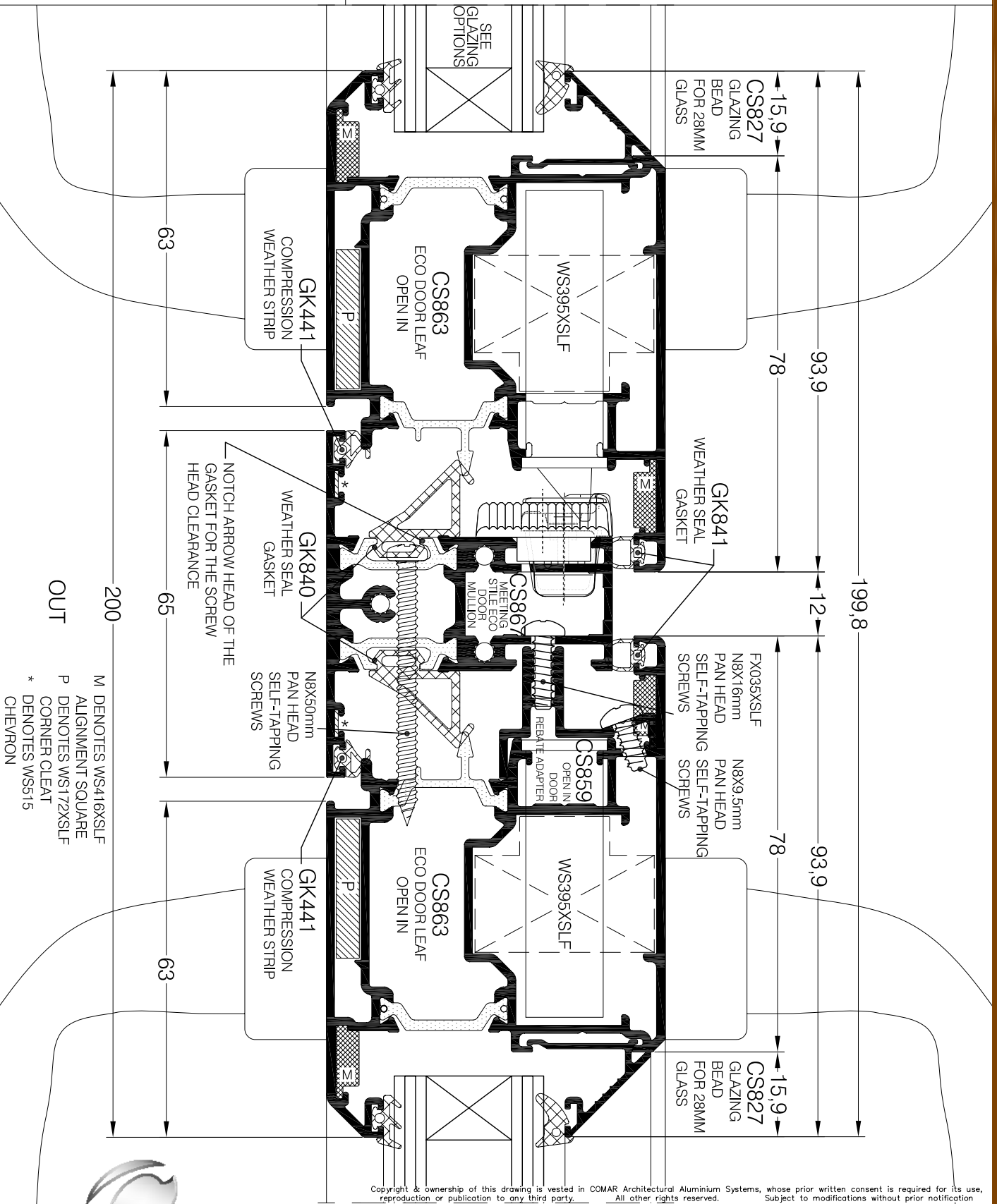


NOTE: TO FIX FX035XSFLF, IT MUST BE PLACED AT 85 mm FROM THE CORNER, THEN, EVERY 400 mm ALONG THE PROFILE.

M DENOTES WS416XSFLF ALIGNMENT SQUARE
 P DENOTES WS172XSFLF CORNER CLEAT
 * DENOTES WS515 CHEVRON

Copyright & ownership of this drawing is vested in COMAR Architectural Aluminium Systems, whose prior written consent is required for its use, reproduction or publication to any third party. All other rights reserved. Subject to modifications without prior notification

SCALE	1:1	© A4
DATE	14/03/2011	
DRAWN	OP/DGN	
DRG. No.	C7-Pi-RB-EC 2.36 R1	

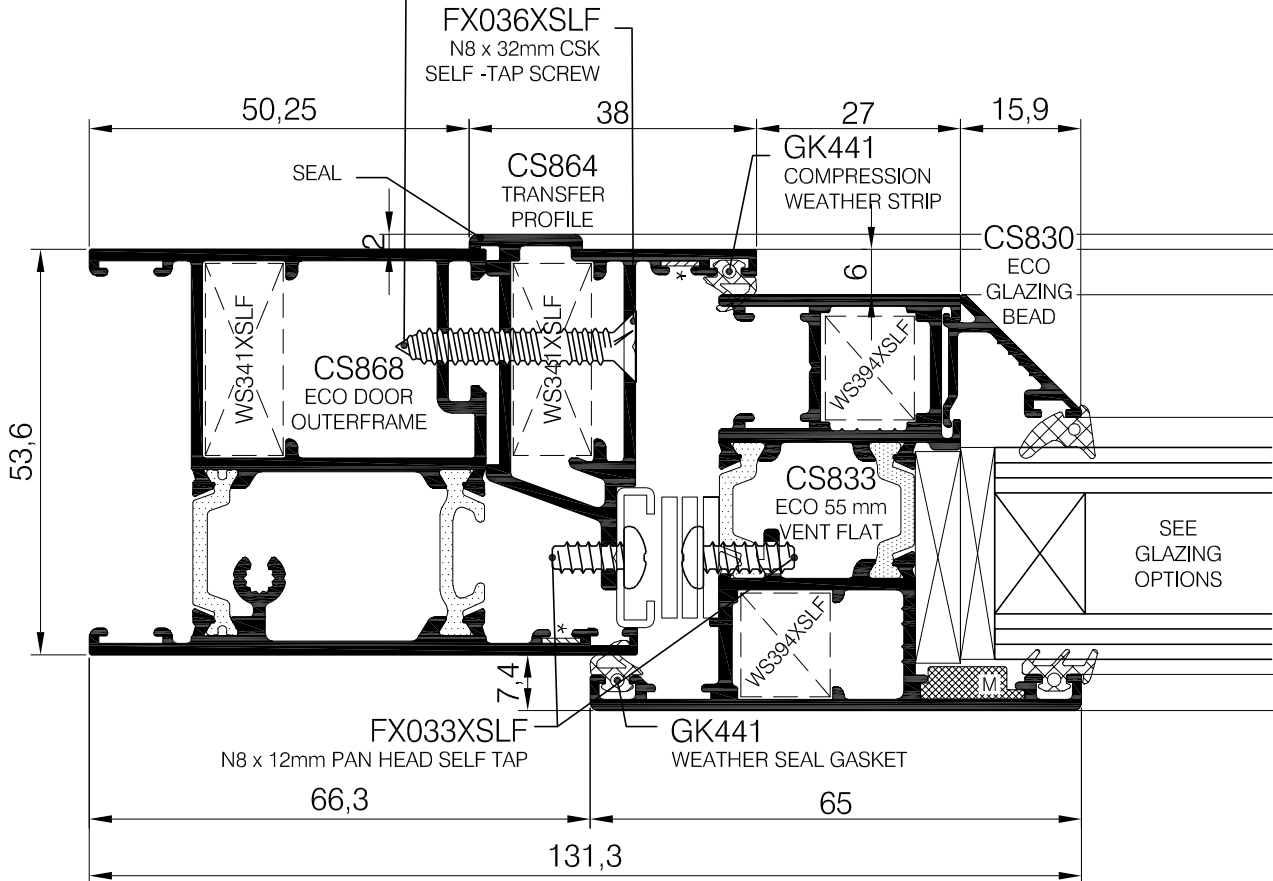


M DENOTES WS416XS1F
 ALIGNMENT SQUARE
 P DENOTES WS172XS1F
 CORNER CLEAT
 * DENOTES WS515
 CHEVRON

Copyright & ownership of this drawing is vested in COMAR Architectural Aluminium Systems, whose prior written consent is required for its use, reproduction or publication to any third party. All other rights reserved. Subject to modifications without prior notification

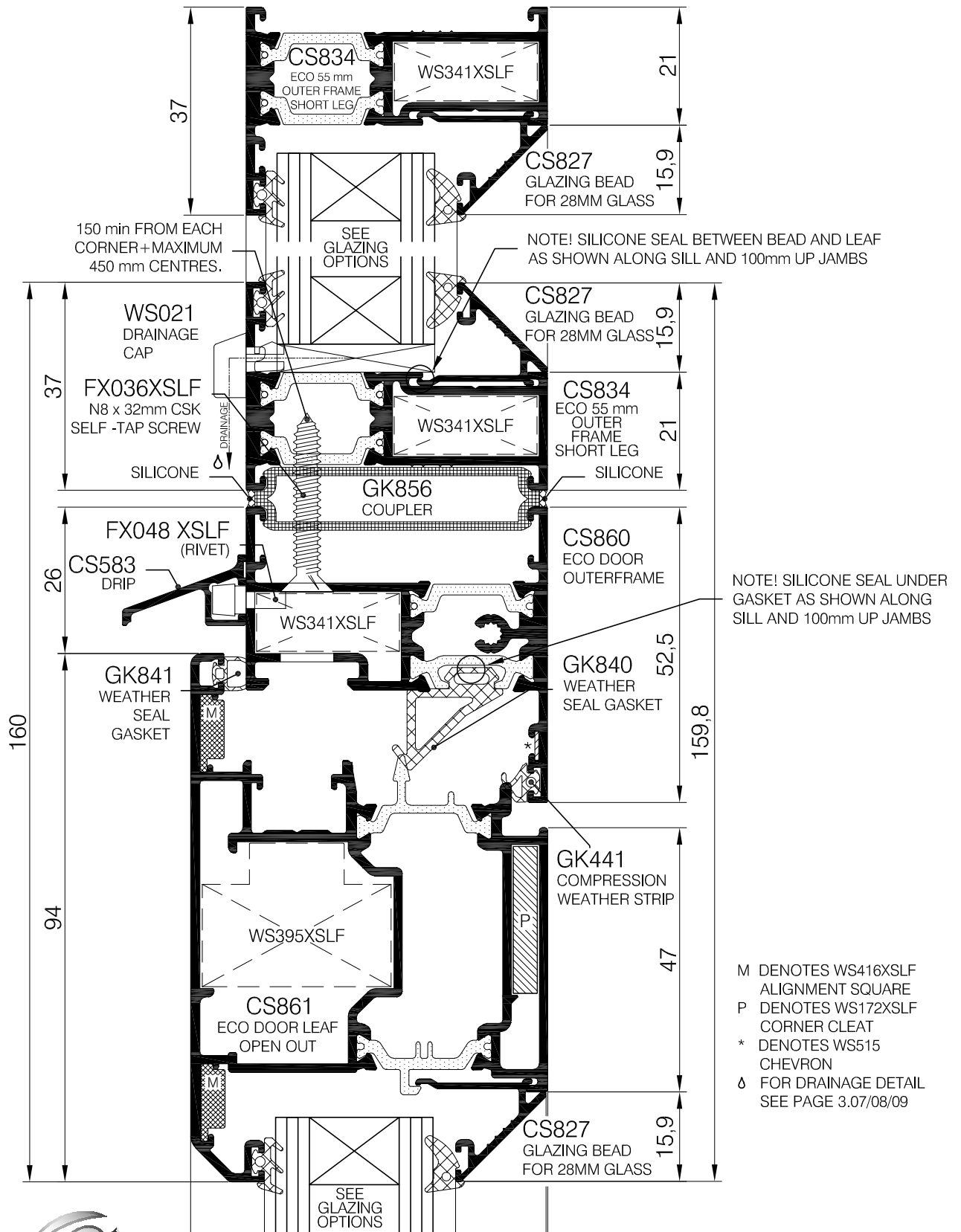
SCALE	1:1	© A4
DATE	14/03/2011	
DRAWN	OP/DGN	
DRG. No.	C7-Pi-RB-EC 2.37 R1	

150 min FROM EACH CORNER+MAXIMUM
450 mm CENTRES.

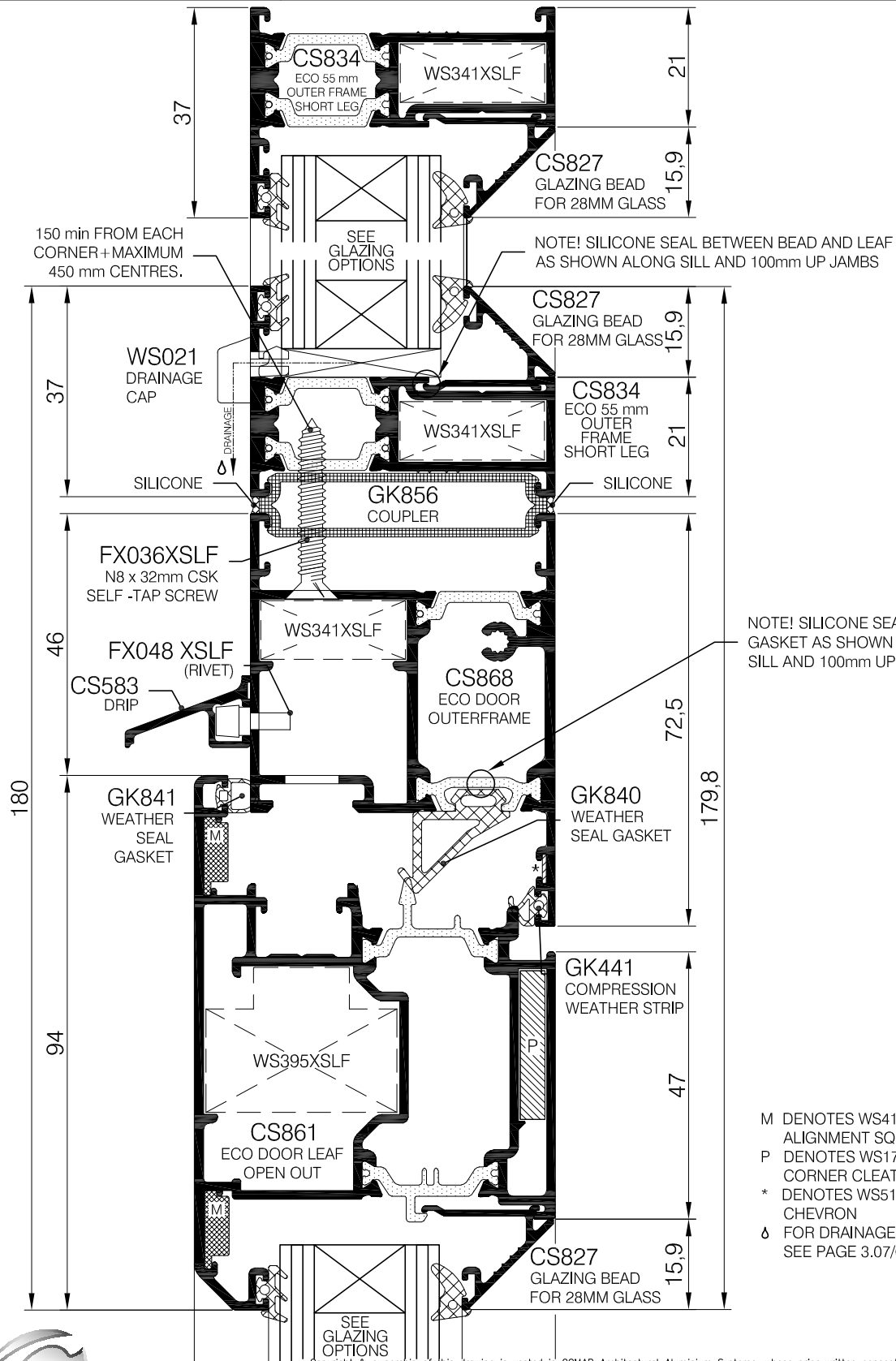


M DENOTES WS416XSLF ALIGNMENT SQUARE
* DENOTES WS515 CHEVRON



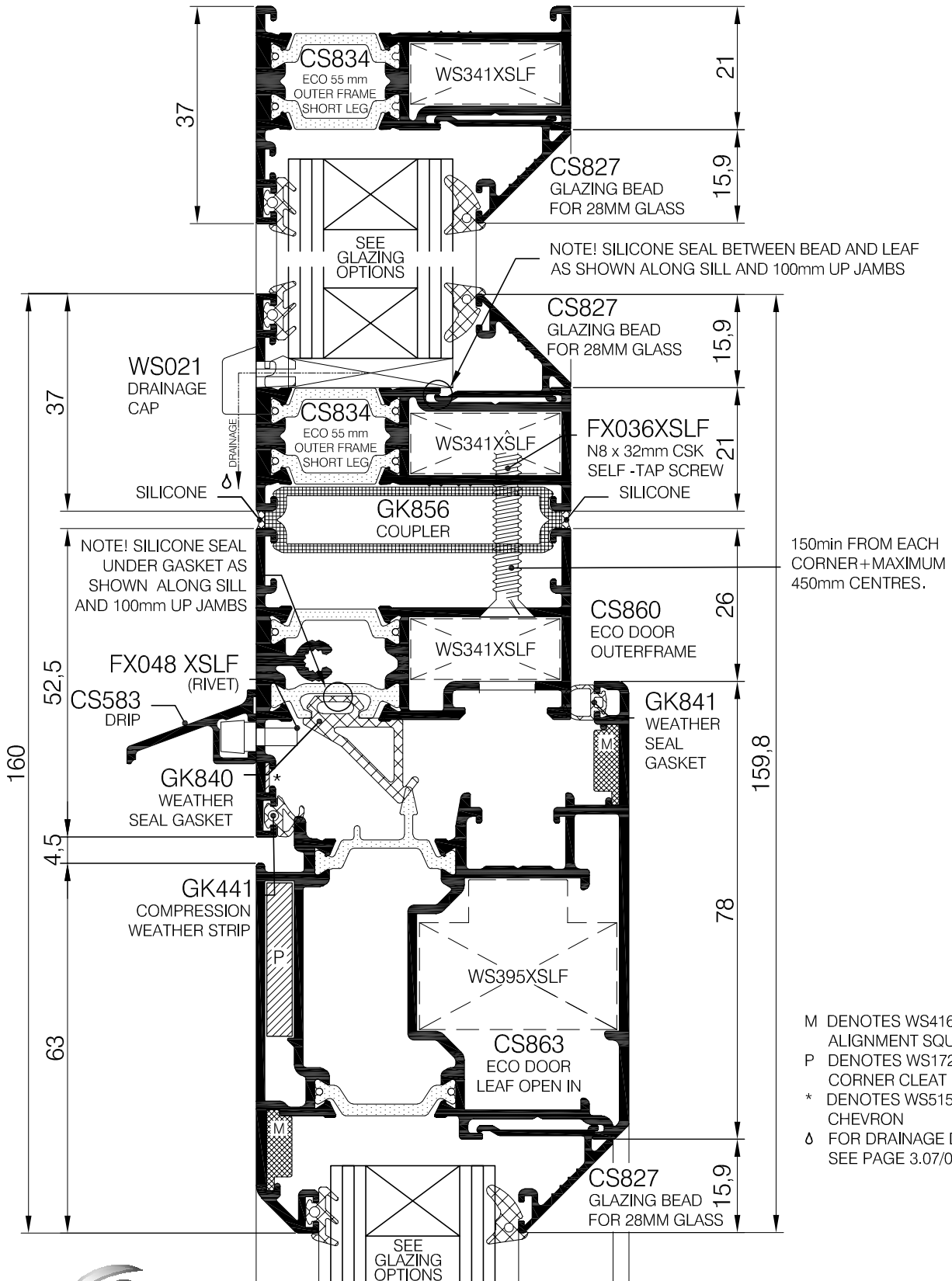


Copyright & ownership of this drawing is vested in COMAR Architectural Aluminium Systems, whose prior written consent is required for its use, reproduction or publication to any third party. All other rights reserved. Subject to modifications without prior notification



Copyright & ownership of this drawing is vested in COMAR Architectural Aluminium Systems, whose prior written consent is required for its use, reproduction or publication to any third party. All other rights reserved. Subject to modifications without prior notification

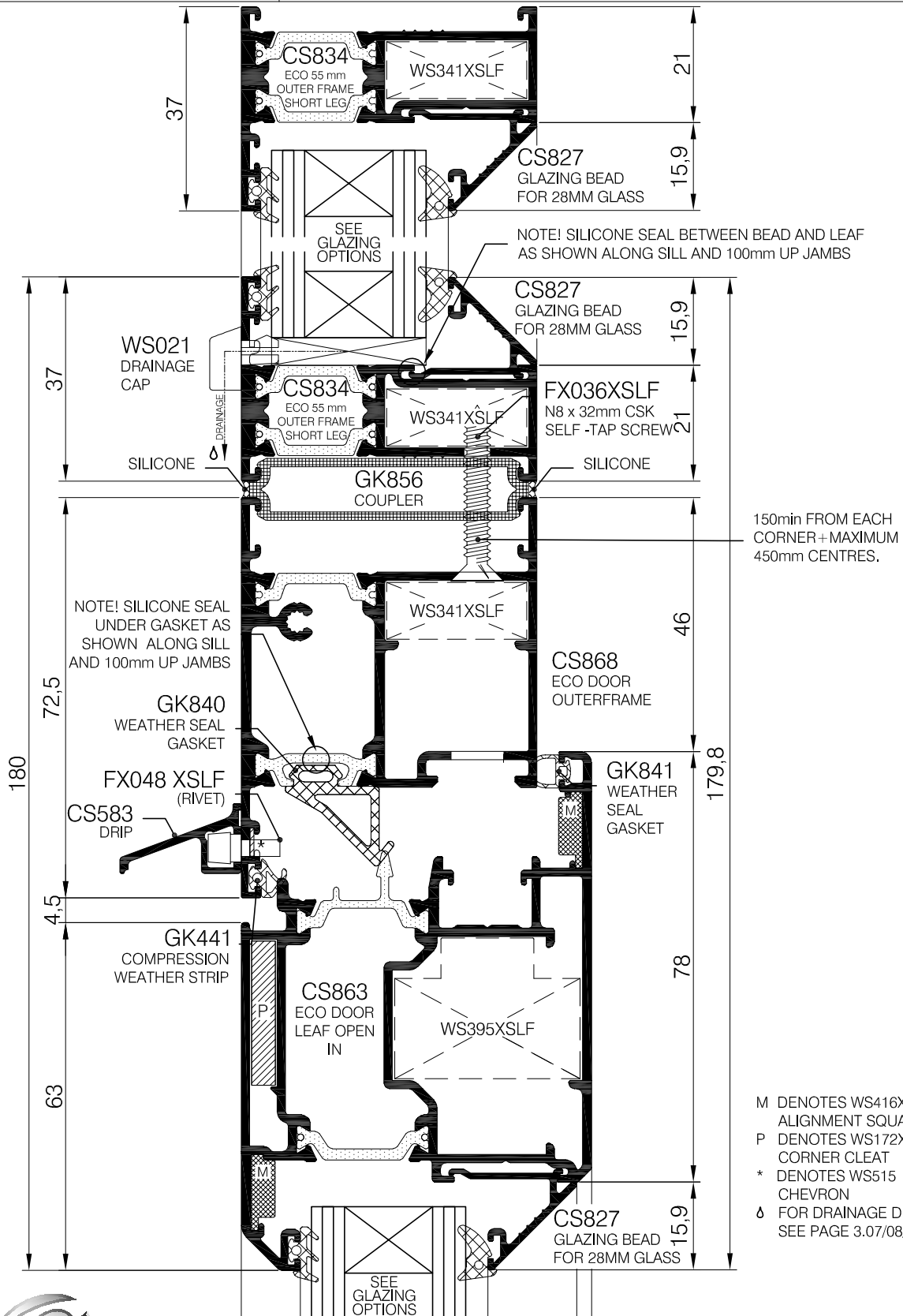
SCALE	N.T.S	© A4
DATE	01/11/2018	
DRAWN	OP/BB	
DRG. No.	C7-Pi-RB-EC 2.40R1	



M DENOTES WS416XSLF
ALIGNMENT SQUARE
P DENOTES WS172XSLF
CORNER CLEAT
* DENOTES WS515
CHEVRON
Δ FOR DRAINAGE DETAIL
SEE PAGE 3.07/08/09

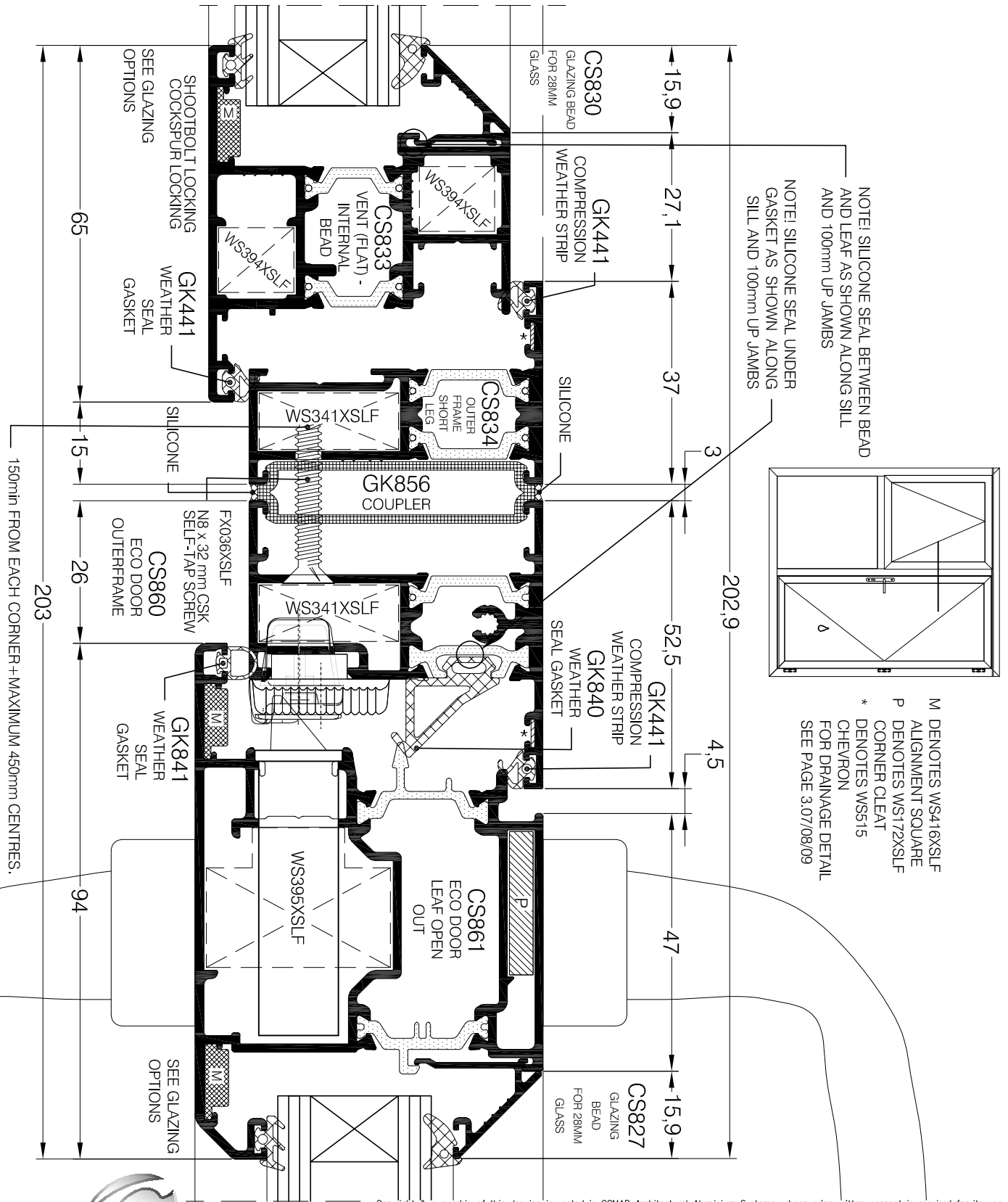
Copyright & ownership of this drawing is vested in COMAR Architectural Aluminium Systems, whose prior written consent is required for its use, reproduction or publication to any third party. All other rights reserved. Subject to modifications without prior notification

SCALE	1:1	© A4
DATE	01/11/2018	
DRAWN	OP/BB	
DRG. No.	C7-Pi-RB-EC 2.41R1	



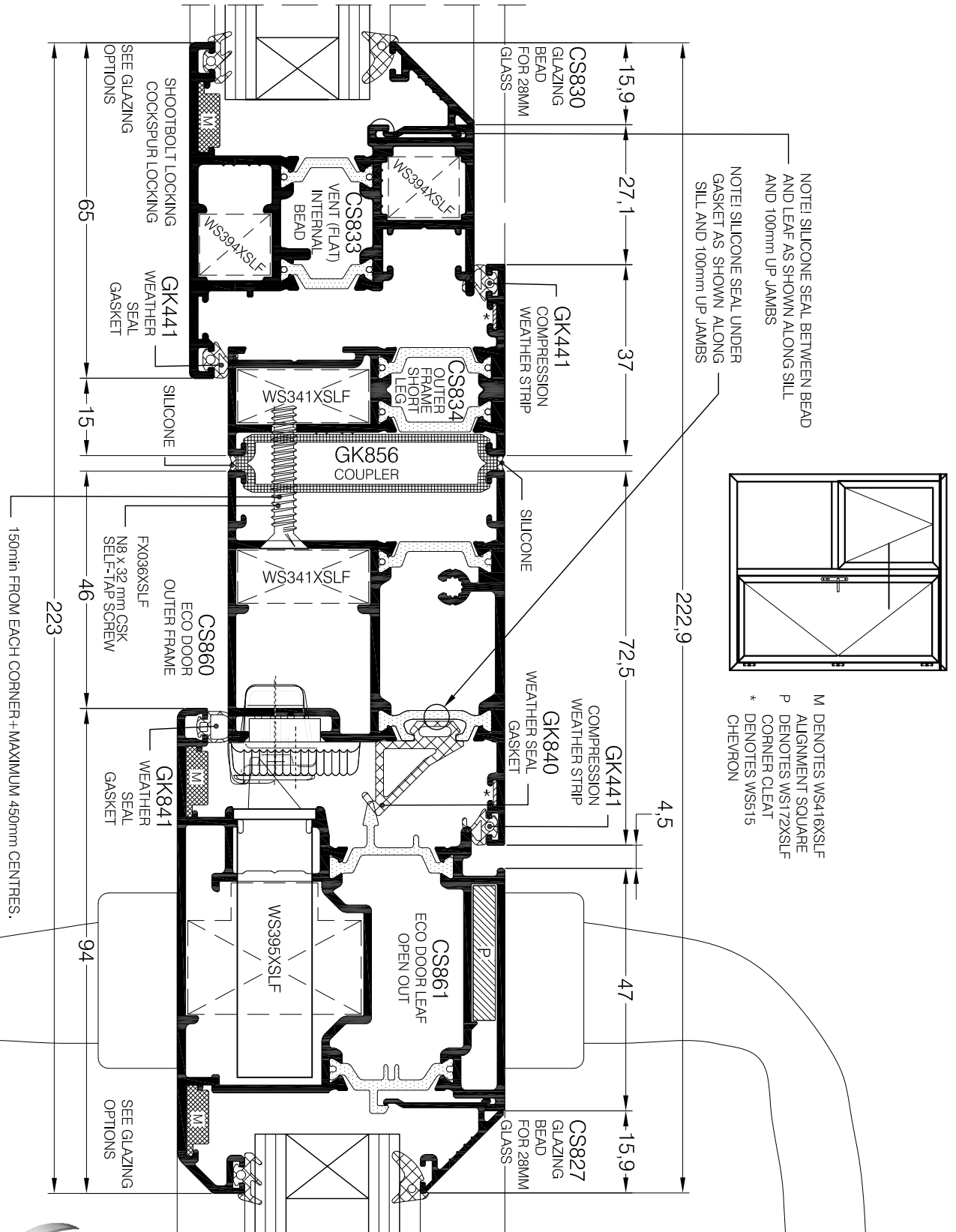
M DENOTES WS416XSLF
ALIGNMENT SQUARE
P DENOTES WS172XSLF
CORNER CLEAT
* DENOTES WS515
CHEVRON
δ FOR DRAINAGE DETAIL
SEE PAGE 3.07/08/09

Copyright & ownership of this drawing is vested in COMAR Architectural Aluminium Systems, whose prior written consent is required for its use, reproduction or publication to any third party. All other rights reserved. Subject to modifications without prior notification



Copyright & ownership of this drawing is vested in COMAR Architectural Aluminium Systems, whose prior written consent is required for its use, reproduction or publication to any third party. All other rights reserved. Subject to modifications without prior notification

SCALE	1:1	© A4
DATE	01/11/2018	
DRAWN	OP/BB	
DRG. No.	C7-Pi-RB-EC 2.43R1	



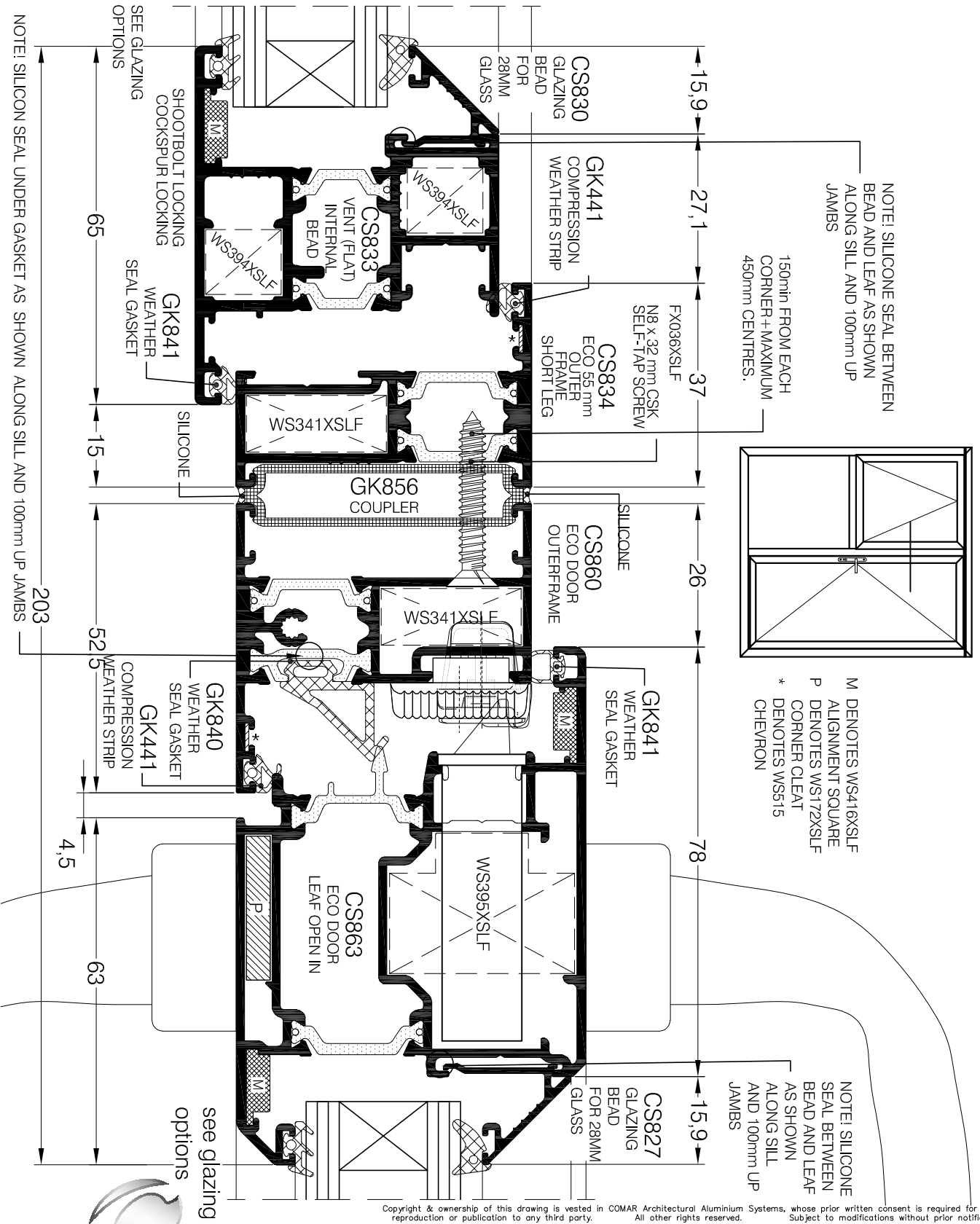
M DENOTES WS416XSLE ALIGNMENT SQUARE
P DENOTES WS172XSLE CORNER CLEAT
* DENOTES WS515 CHEVRON

NOTE! SILICONE SEAL BETWEEN BEAD AND LEAF AS SHOWN ALONG SILL AND 100mm UP JAMBS

NOTE! SILICONE SEAL UNDER GASKET AS SHOWN ALONG SILL AND 100mm UP JAMBS

Copyright & ownership of this drawing is vested in COMAR Architectural Aluminium Systems, whose prior written consent is required for its use, reproduction or publication to any third party. All other rights reserved. Subject to modifications without prior notification

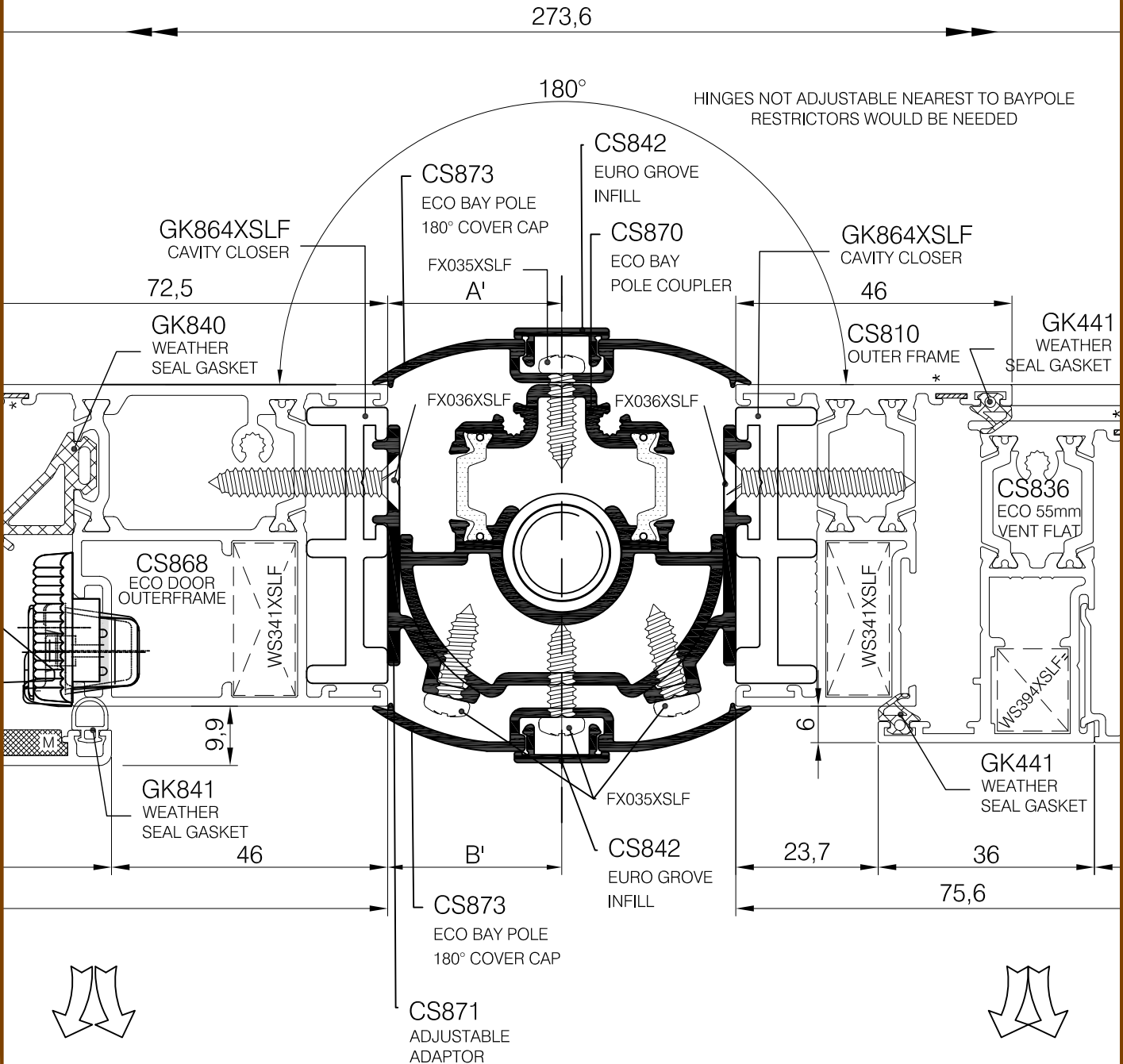
SCALE	N.T.S	© A4
DATE	01/11/2018	
DRAWN	OP/BB	
DRG. No.	C7-Pi-RB-EC 2.44R1	



Copyright & ownership of this drawing is vested in COMAR Architectural Aluminium Systems, whose prior written consent is required for its use, reproduction or publication to any third party. All other rights reserved. Subject to modifications without prior notification.

SCALE	1:1	© A4
DATE	01/11/2018	
DRAWN	OP/BB	
DRG. No.	C7-Pi-RB-EC 2.45R1	

ANGLE	DEDUCTION 'A'	DEDUCTION 'B'
180°	29mm	29mm



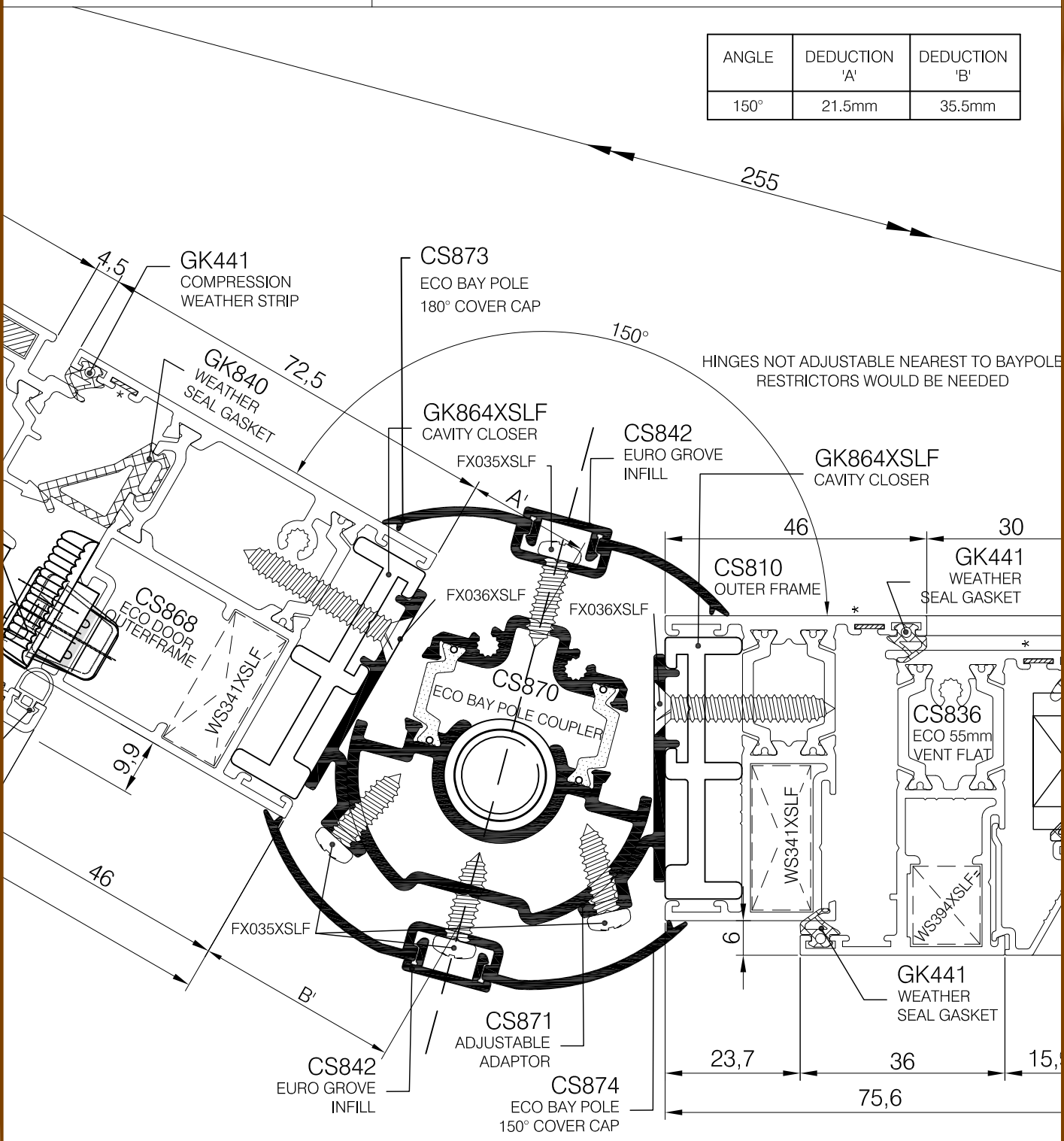
HINGES NOT ADJUSTABLE NEAREST TO BAYPOLE
 RESTRICTORS WOULD BE NEEDED

NOTE: TO FIX SCREWS , THEY MUST BE
 PLACED AT 400 mm ALONG THE PROFILE.

Copyright & ownership of this drawing is vested in COMAR Architectural Aluminium Systems, whose prior written consent is required for its use, reproduction or publication to any third party. All other rights reserved. Subject to modifications without prior notification

SCALE	1:1	@ A4
DATE	26/11/2019	
DRAWN	OP/BB	
DRG. No.	C7-Pi-RI-EC 2.47R2	

ANGLE	DEDUCTION 'A'	DEDUCTION 'B'
150°	21.5mm	35.5mm



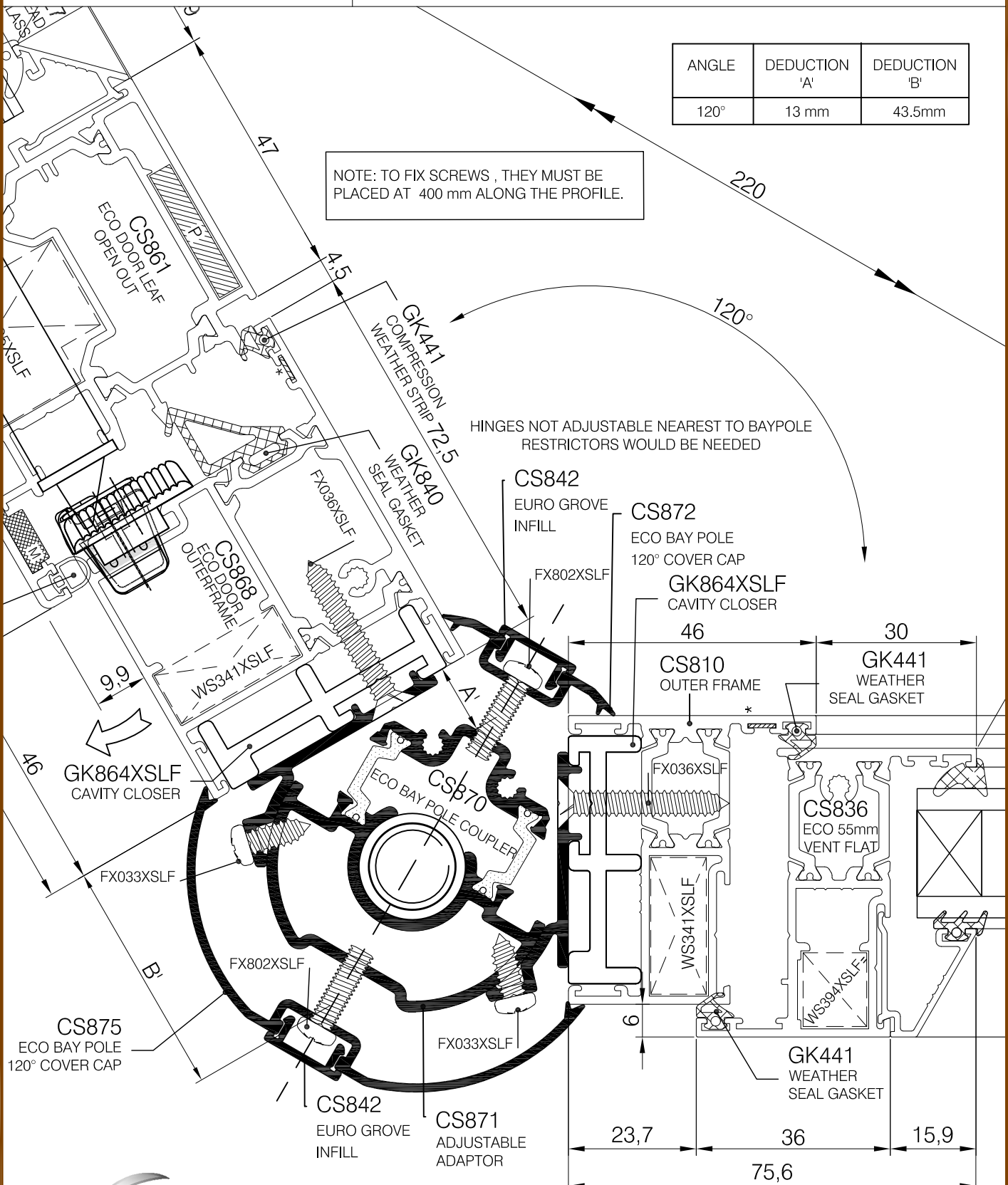
NOTE: TO FIX SCREWS , THEY MUST BE PLACED AT 400 mm ALONG THE PROFILE.



Copyright & ownership of this drawing is vested in COMAR Architectural Aluminium Systems, whose prior written consent is required for its use, reproduction or publication to any third party. All other rights reserved. Subject to modifications without prior notification

ANGLE	DEDUCTION 'A'	DEDUCTION 'B'
120°	13 mm	43.5mm

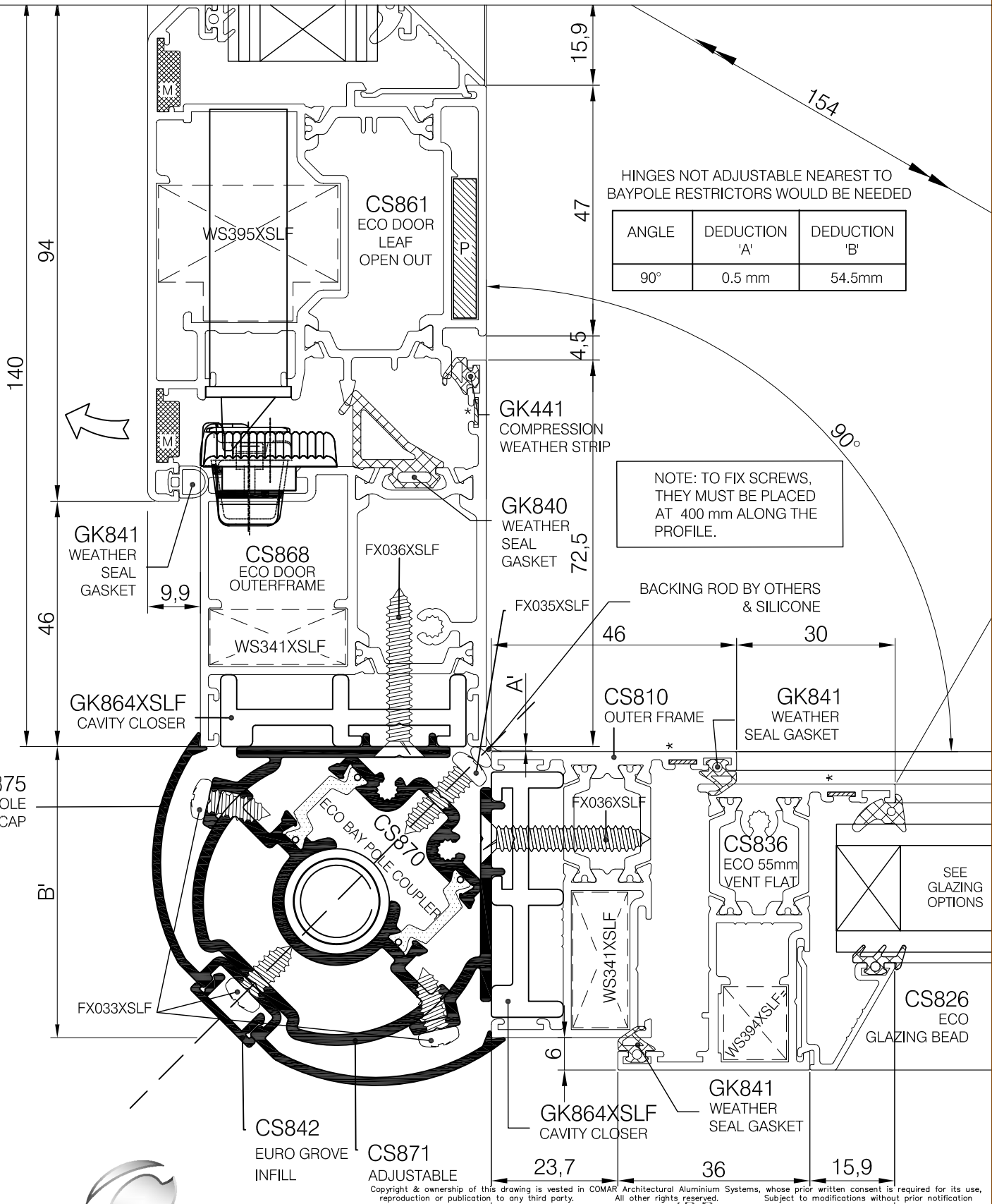
NOTE: TO FIX SCREWS, THEY MUST BE PLACED AT 400 mm ALONG THE PROFILE.



HINGES NOT ADJUSTABLE NEAREST TO BAYPOLE
RESTRICTORS WOULD BE NEEDED

Copyright & ownership of this drawing is vested in COMAR Architectural Aluminium Systems, whose prior written consent is required for its use, reproduction or publication to any third party. All other rights reserved. Subject to modifications without prior notification

SCALE	1:1	@ A4
DATE	27/11/2019	
DRAWN	VM/BB	
DRG. No.	C7-Pi-RI-EC 2.49R2	



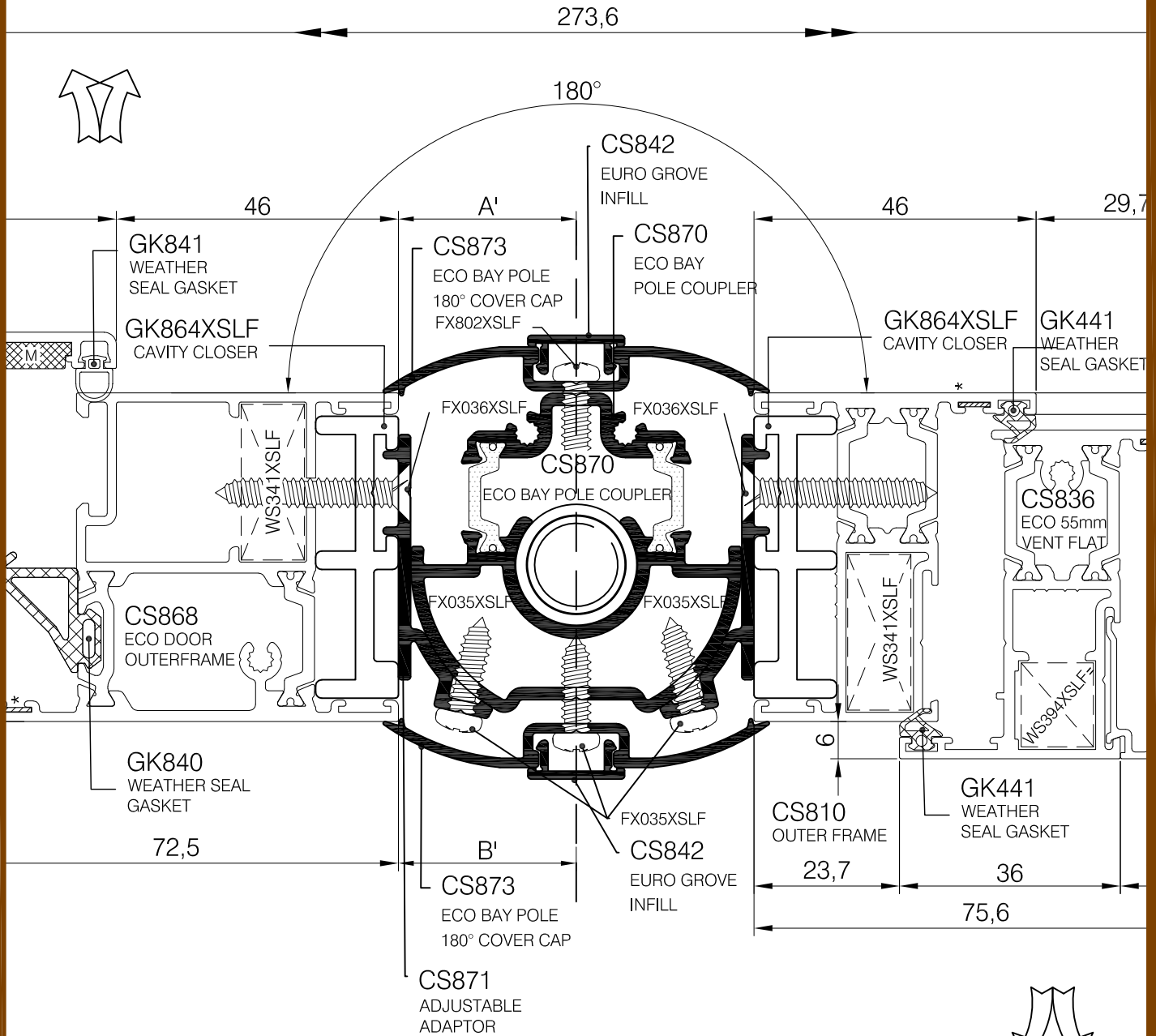
ANGLE	DEDUCTION 'A'	DEDUCTION 'B'
90°	0.5 mm	54.5mm

NOTE: TO FIX SCREWS, THEY MUST BE PLACED AT 400 mm ALONG THE PROFILE.

Copyright & ownership of this drawing is vested in COMAR Architectural Aluminium Systems, whose prior written consent is required for its use, reproduction or publication, to any third party. All other rights reserved. Subject to modifications without prior notification.

SCALE	1:1	@ A4
DATE	26/11/2019	
DRAWN	VM/BB	
DRG. No.	C7-Pi-RI-EC 2.50R2	

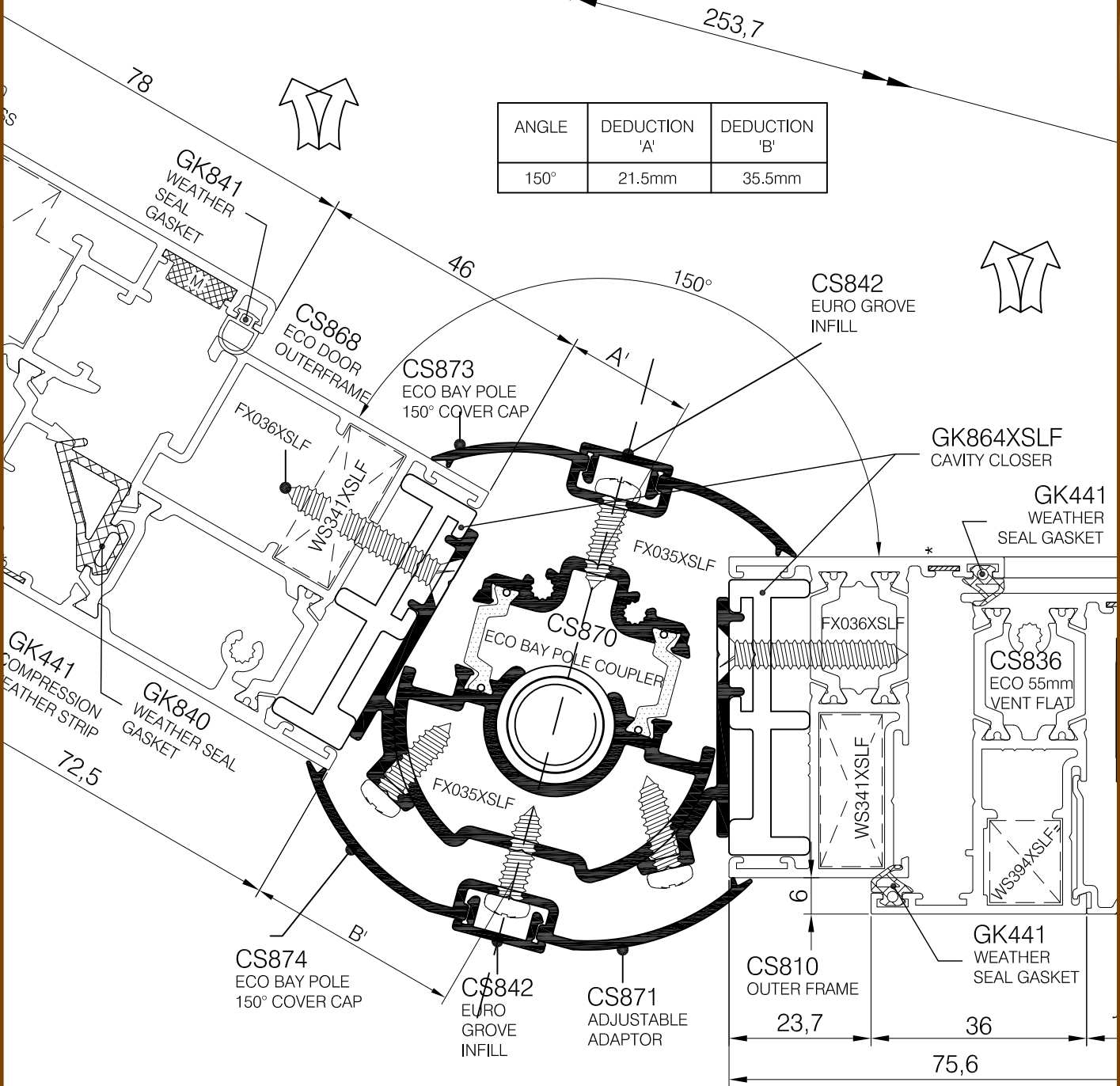
ANGLE	DEDUCTION 'A'	DEDUCTION 'B'
180°	29mm	29mm



HINGES NOT ADJUSTABLE NEAREST TO BAYPOLE
RESTRICTORS WOULD BE NEEDED

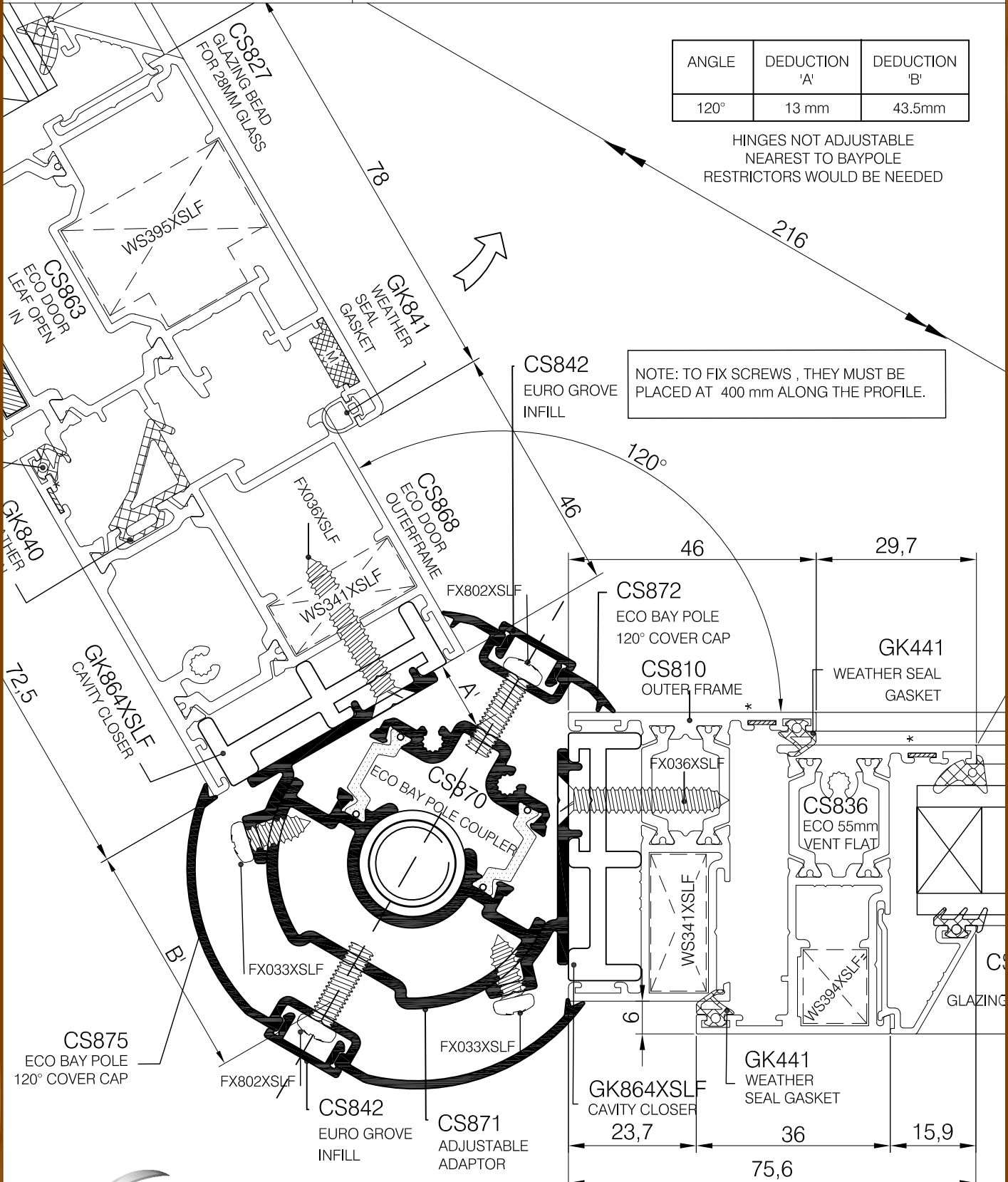
NOTE: TO FIX SCREWS, THEY MUST BE
PLACED AT 400 mm ALONG THE PROFILE.

Copyright & ownership of this drawing is vested in COMAR Architectural Aluminium Systems, whose prior written consent is required for its use, reproduction or publication to any third party. All other rights reserved. Subject to modifications without prior notification



HINGES NOT ADJUSTABLE NEAREST TO BAYPOLE
RESTRICTORS WOULD BE NEEDED

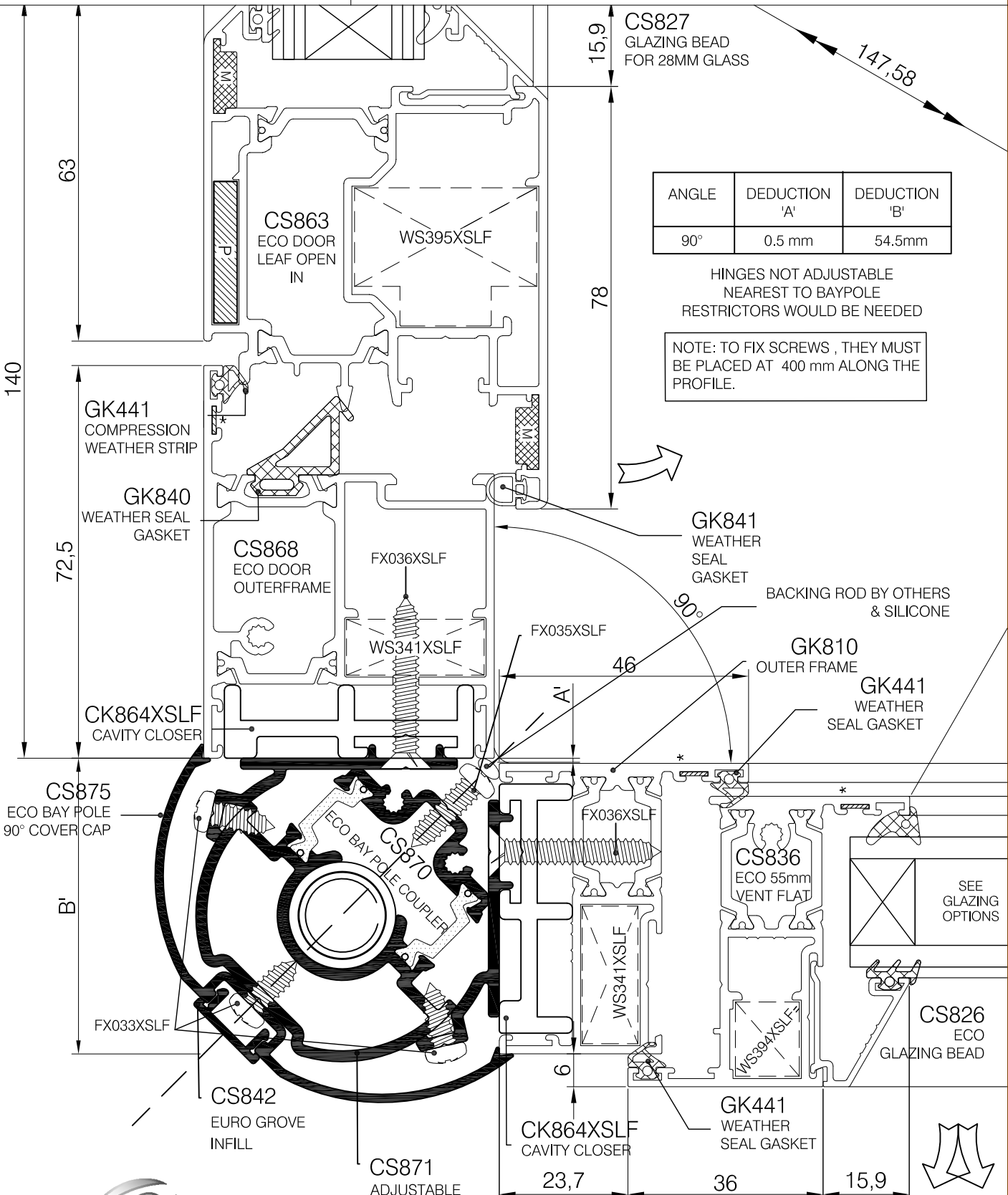
Copyright & ownership of this drawing is vested in COMAR Architectural Aluminium Systems, whose prior written consent is required for its use, reproduction or publication to any third party. All other rights reserved. Subject to modifications without prior notification



Copyright & ownership of this drawing is vested in COMAR Architectural Aluminium Systems, whose prior written consent is required for its use, reproduction or publication to any third party. All other rights reserved. Subject to modifications without prior notification



SCALE	1:1	@ A4
DATE	27/11/2019	
DRAWN	OP/BB	
DRG. No.	C7-Pi-RI-EC 2.53R2	



ANGLE	DEDUCTION 'A'	DEDUCTION 'B'
90°	0.5 mm	54.5mm

HINGES NOT ADJUSTABLE
 NEAREST TO BAYPOLE
 RESTRICTORS WOULD BE NEEDED

NOTE: TO FIX SCREWS, THEY MUST
 BE PLACED AT 400 mm ALONG THE
 PROFILE.

*Copyright & ownership of this drawing is vested in COMAR Architectural Aluminium Systems, whose prior written consent is required for its use, reproduction or publication, to any third party. All other rights reserved. Subject to modifications without prior notification

comar7P*i*

TITLE **POLYAMIDE INSULATED ECO DOORS
THERMALLY EFFICIENT ECO DOOR SYSTEM**

SHEET No.
ECO 2.55

SUB TITLE

FOR FUTURE ADDITIONS



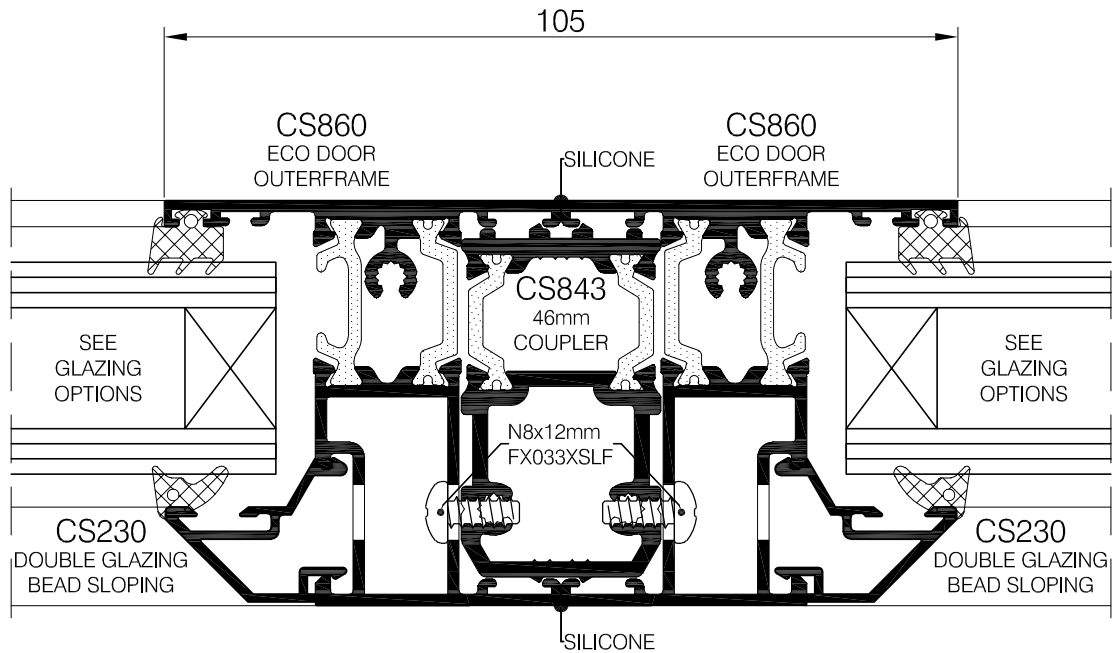
comar
ARCHITECTURAL ALUMINIUM SYSTEMS



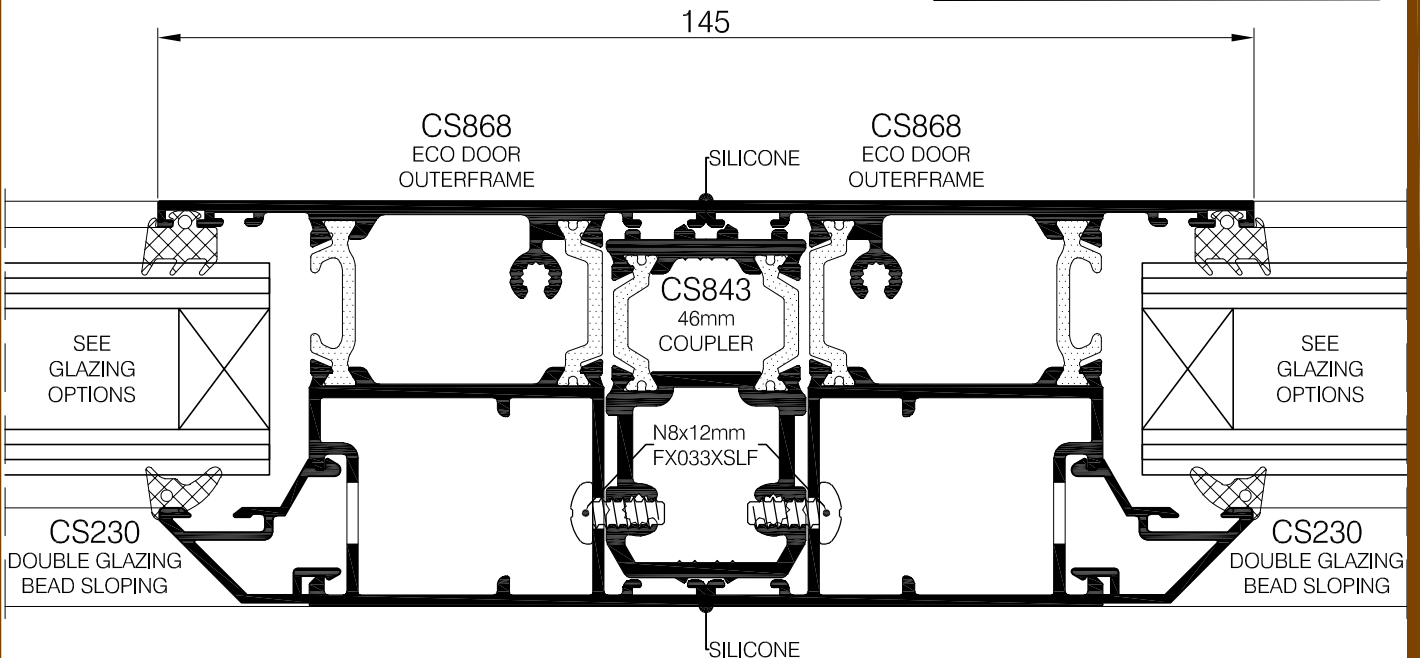
Copyright & ownership of this drawing is vested in COMAR Architectural Aluminium Systems, whose prior written consent is required for its use, reproduction or publication to any third party. All other rights reserved. Subject to modifications without prior notification

THE PARKSIDE GROUP LTD
UNIT 5 ° THE WILLOW CENTRE
17 WILLOW LANE ° MITCHAM
SURREY ° CR4 4NX
Tel: 020-8685 9685 Fax: 020-8687 1142
Email: technical@parksidegrp.co.uk
Web Site: <http://www.comar-alu.co.uk>

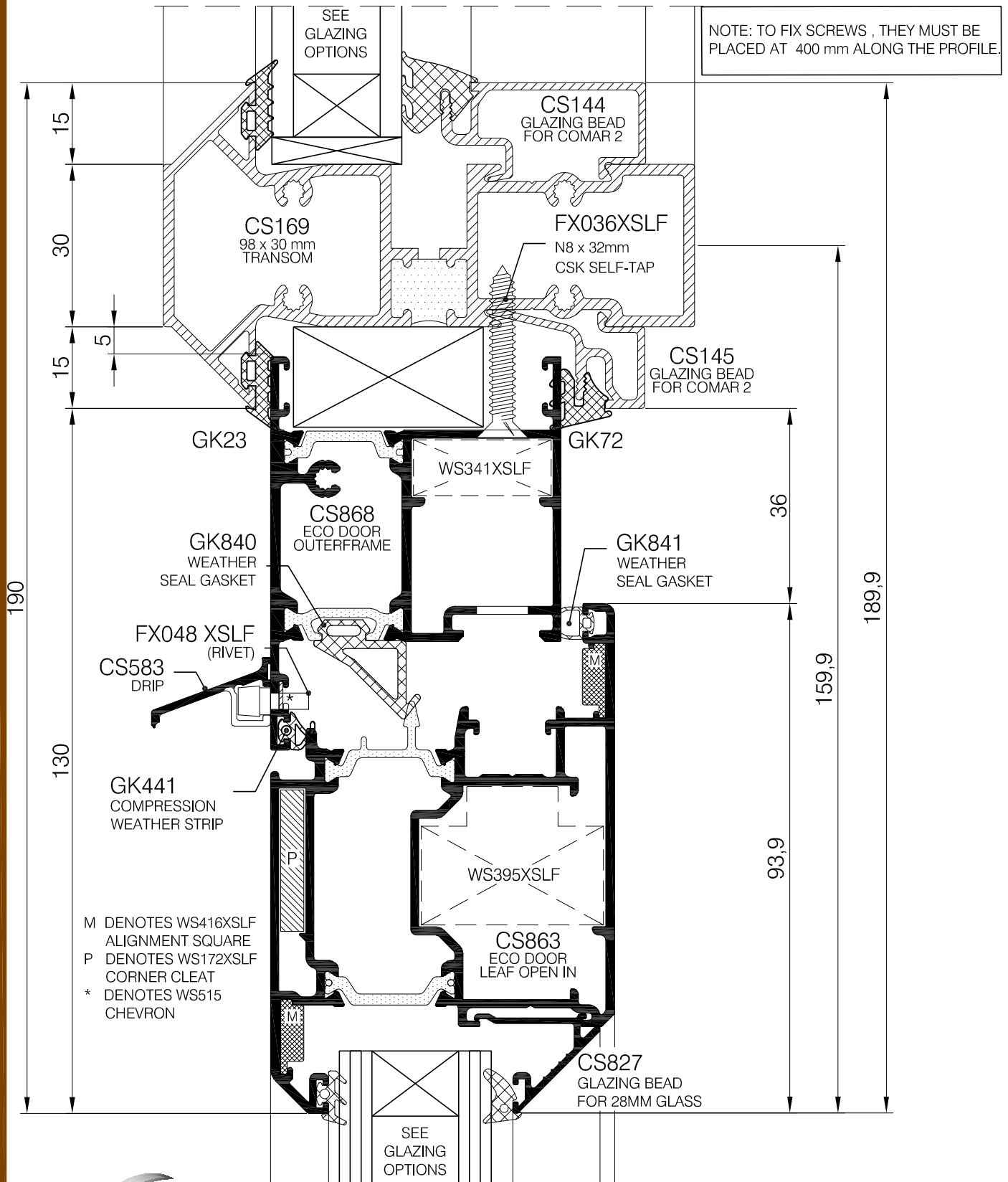
SCALE	1:1	© A4
DATE	29/01/2010	
DRAWN	OP/CAD	
DRG. No.	C7-Pi-RI-EC 2.55	



NOTE: TO FIX SCREWS , THEY MUST BE PLACED AT 400 mm ALONG THE PROFILE.

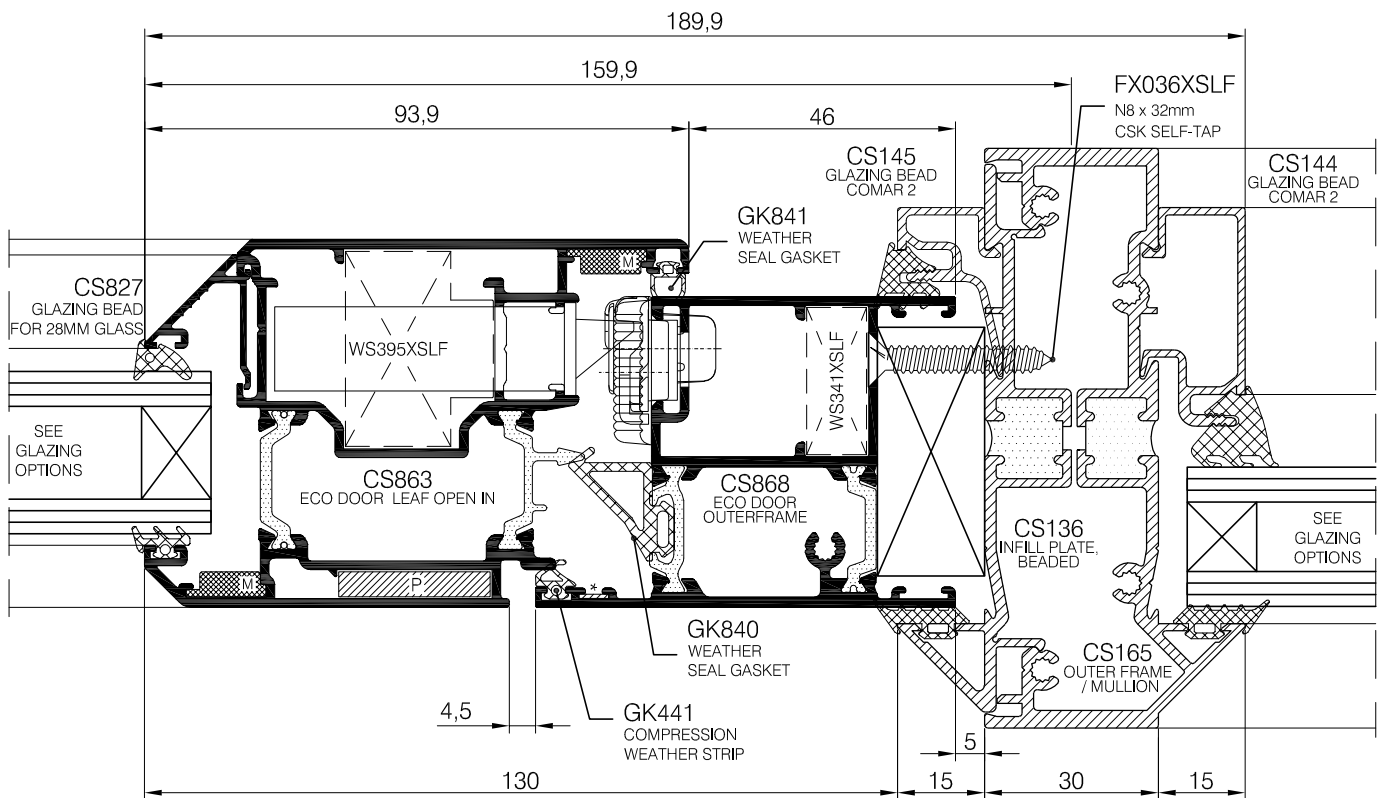


Copyright & ownership of this drawing is vested in COMAR Architectural Aluminium Systems, whose prior written consent is required for its use, reproduction or publication to any third party. All other rights reserved. Subject to modifications without prior notification.



Copyright & ownership of this drawing is vested in COMAR Architectural Aluminium Systems, whose prior written consent is required for its use, reproduction or publication to any third party. All other rights reserved. Subject to modifications without prior notification

NOTE: TO FIX SCREWS , THEY MUST BE PLACED AT 400 mm ALONG THE PROFILE.

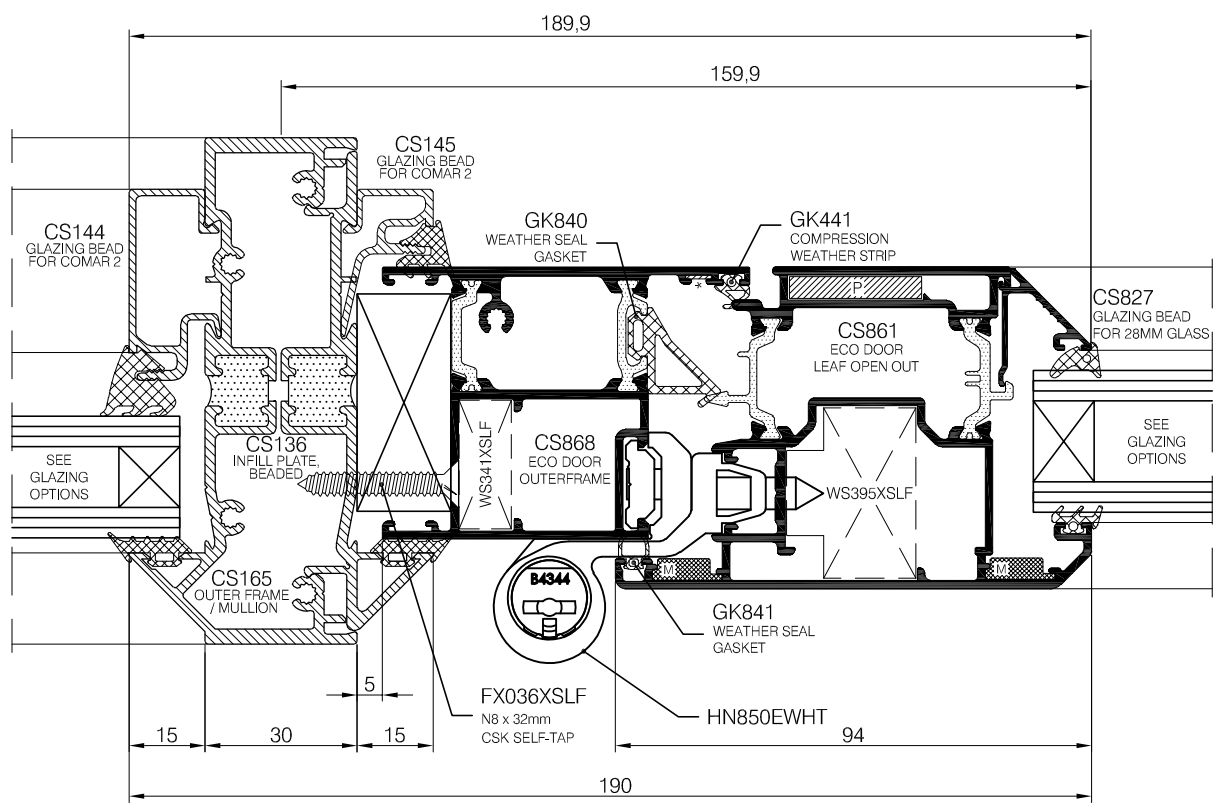


M DENOTES WS416XSLF ALIGNMENT SQUARE
 DENOTES WS172XSLF CORNER CLEAT
 * DENOTES WS515 CHEVRON

Copyright & ownership of this drawing is vested in COMAR Architectural Aluminium Systems, whose prior written consent is required for its use, reproduction or publication to any third party. All other rights reserved. Subject to modifications without prior notification

SCALE	NTS	© A4
DATE	01/11/2018	
DRAWN	OP/BB	
DRG. No.	C7-Pi-RB-EC 2.58R1	

NOTE: TO FIX SCREWS , THEY MUST BE PLACED AT 400 mm ALONG THE PROFILE.

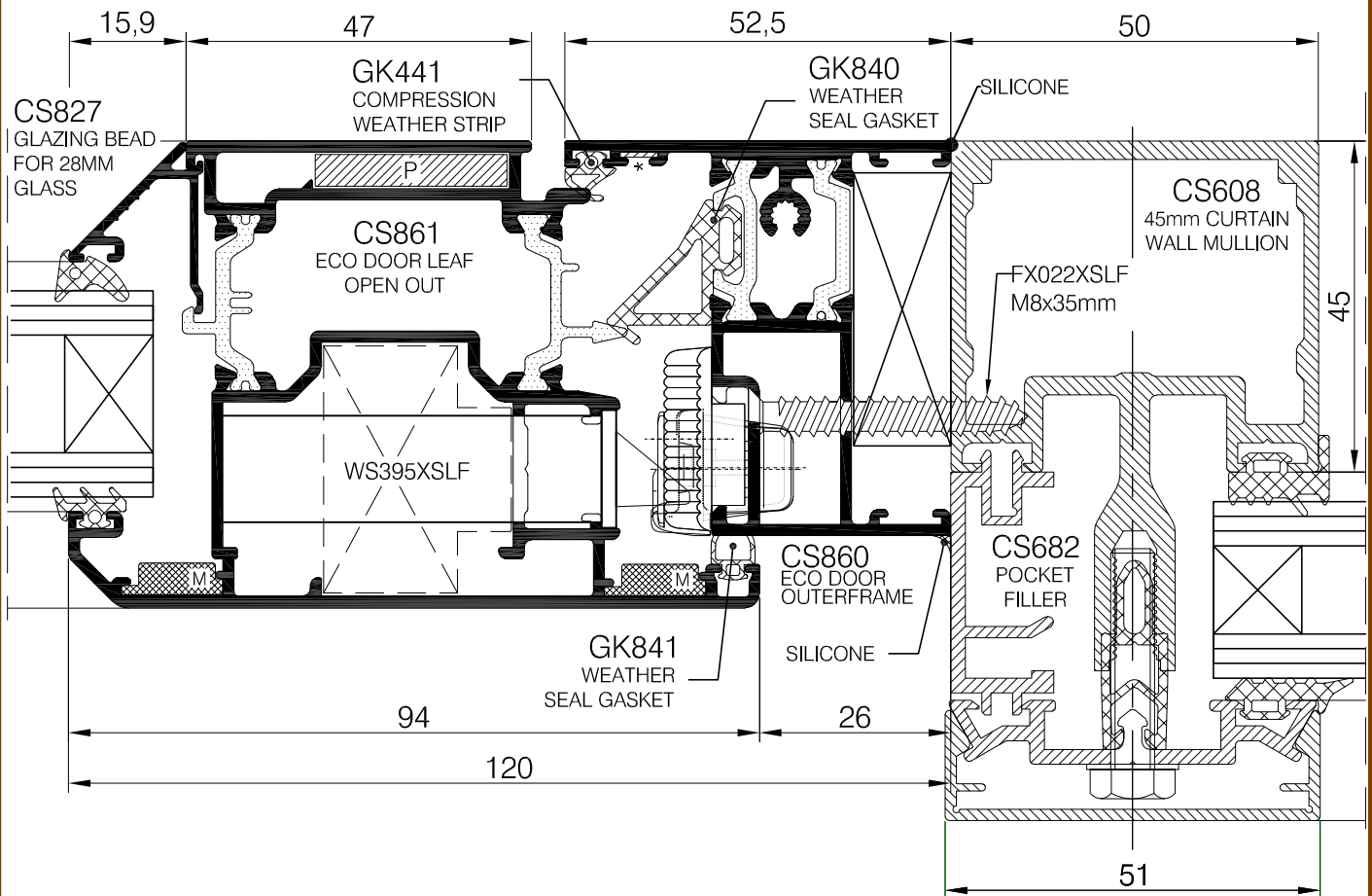


M DENOTES WS416XSLF ALIGNMENT SQUARE
 DENOTES WS172XSLF CORNER CLEAT
 * DENOTES WS515 CHEVRON

Copyright & ownership of this drawing is vested in COMAR Architectural Aluminium Systems, whose prior written consent is required for its use, reproduction or publication to any third party. All other rights reserved. Subject to modifications without prior notification

SCALE	NTS	@ A4
DATE	01/11/2018	
DRAWN	OP/BB	
DRG. No.	C7-Pi-RB-EC 2.59R1	

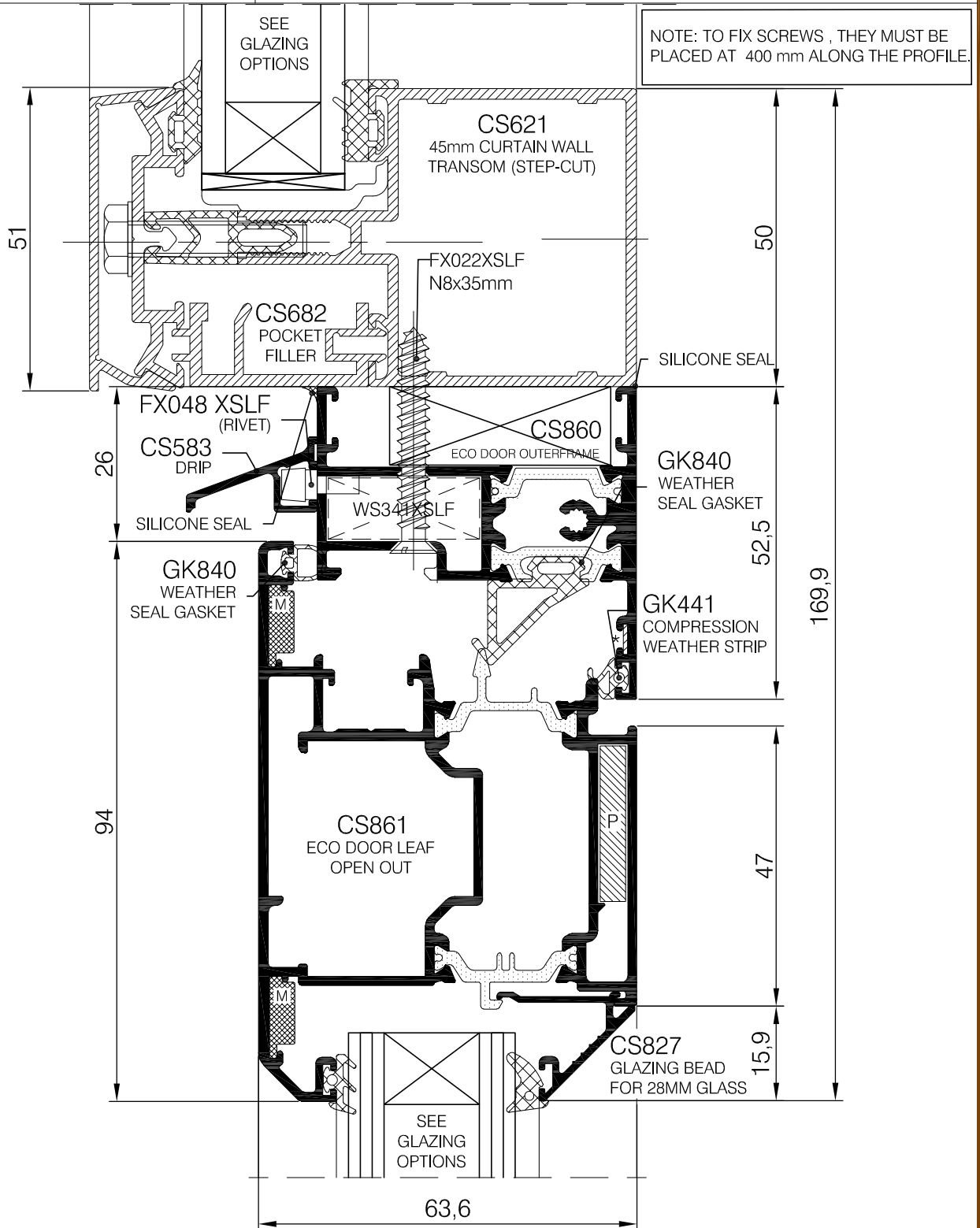
NOTE: TO FIX SCREWS , THEY MUST BE PLACED AT 400 mm ALONG THE PROFILE.



M DENOTES WS416XSLF ALIGNMENT SQUARE
 P DENOTES WS172XSLF CORNER CLEAT
 * DENOTES WS515 CHEVRON

Copyright & ownership of this drawing is vested in COMAR Architectural Aluminium Systems, whose prior written consent is required for its use, reproduction or publication to any third party. All other rights reserved. Subject to modifications without prior notification

SCALE	1:1	© A4
DATE	01/11/2018	
DRAWN	OP/BB	
DRG. No.	C7-Pi-RB-EC 2.60R1	



M DENOTES WS416XSLF ALIGNMENT SQUARE
P DENOTES WS172XSLF CORNER CLEAT
* DENOTES WS515 CHEVRON

Copyright & ownership of this drawing is vested in COMAR Architectural Aluminium Systems, whose prior written consent is required for its use, reproduction or publication to any third party. All other rights reserved. Subject to modifications without prior notification

comar 7P.i

TITLE **POLYAMIDE INSULATED ECO DOORS
THERMALLY EFFICIENT ECO DOOR SYSTEM**
SUB TITLE

SHEET No.
ECO 2.61.1

FOR FUTURE ADDITIONS



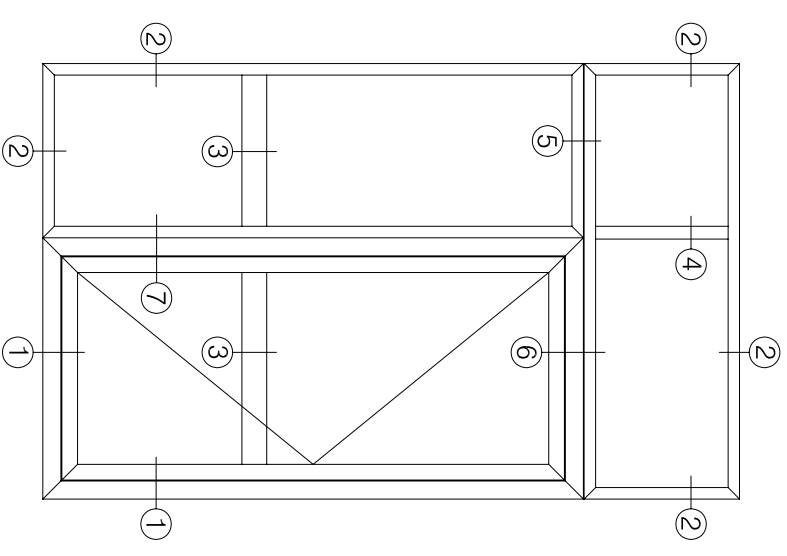
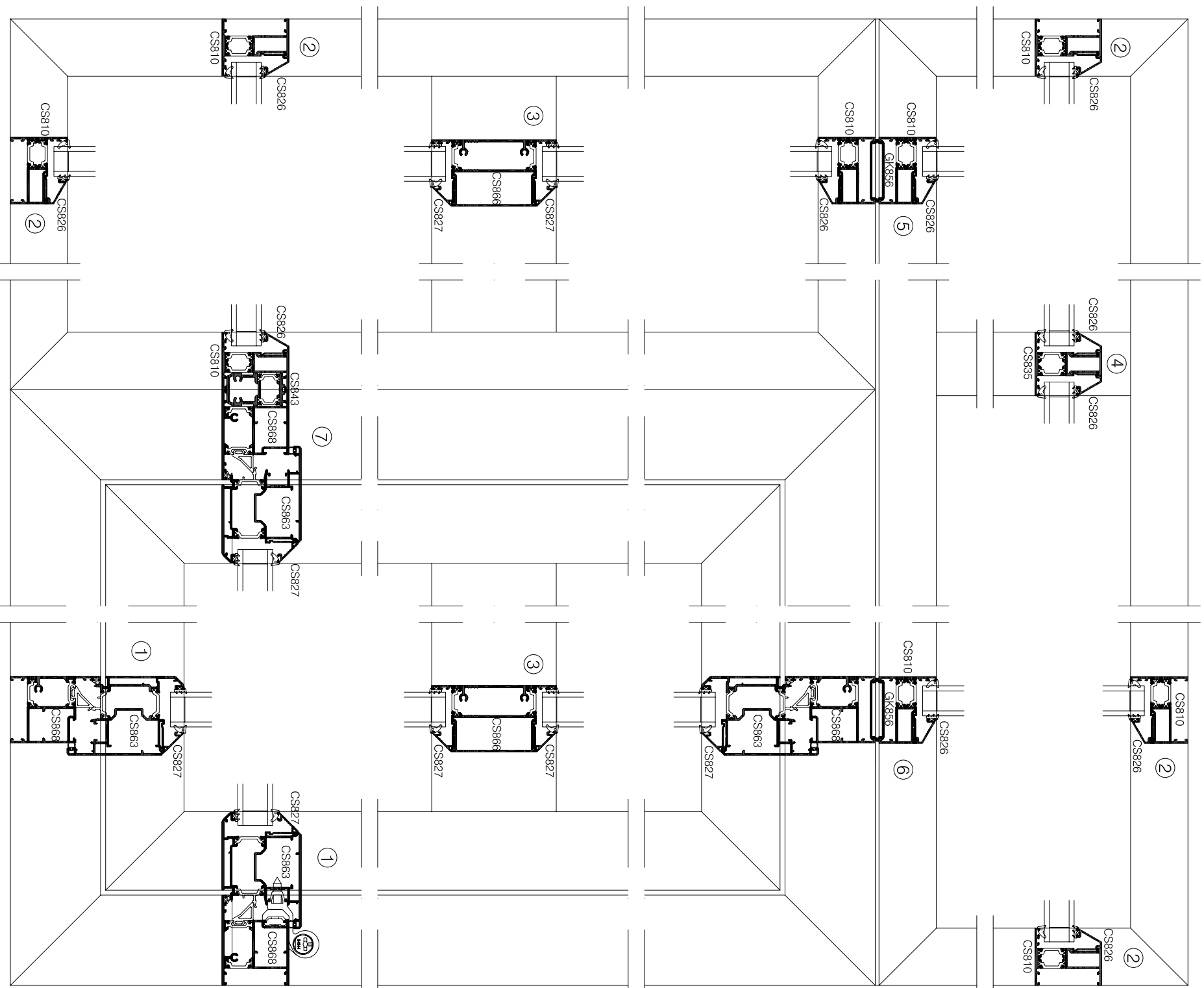
comar
ARCHITECTURAL ALUMINIUM SYSTEMS



Copyright & ownership of this drawing is vested in COMAR Architectural Aluminium Systems, whose prior written consent is required for its use, reproduction or publication to any third party. All other rights reserved. Subject to modifications without prior notification

THE PARKSIDE GROUP LTD
UNIT 5 ° THE WILLOW CENTRE
17 WILLOW LANE ° MITCHAM
SURREY ° CR4 4NX
Tel: 020-8685 9685 Fax: 020-8687 1142
Email: technical@parksidegrp.co.uk
Web Site: <http://www.comar-alu.co.uk>

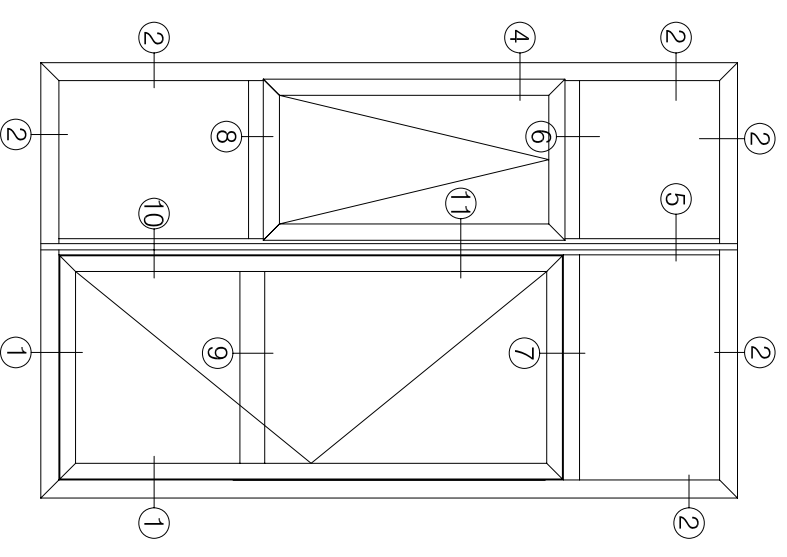
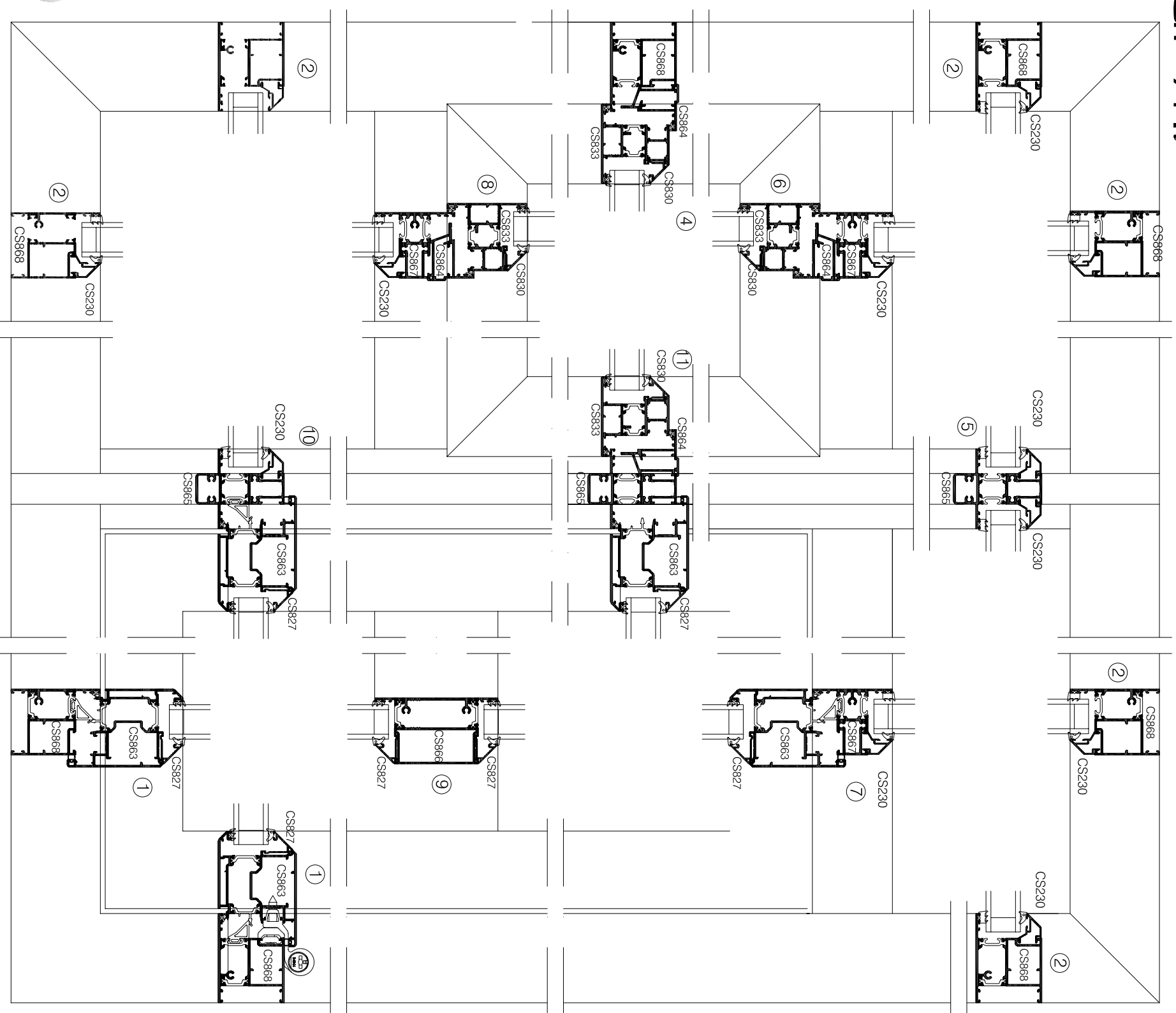
SCALE	1:1	@ A4
DATE	17/01/2019	
DRAWN	OP/CAD	
DRG. No.	C7-Pi-RI-EC 2.61.1	



Copyright & ownership of this drawing is vested in COMMAR Architectural Aluminium Systems, whose prior written consent is required for its use, reproduction or publication to any third party. All other rights reserved. Subject to modifications without prior notification.

THE PARKSIDE GROUP LTD
UNIT 5 • THE WILLOW CENTRE
17 WILLOW LANE • MITCHAM
SURREY • CR4 4NX
Tel: 020-8685 9685 Fax: 020-8687 1142
Email: technical@parksidegrp.co.uk
Web Site: http://www.commar-alu.co.uk

SCALE	NTS	@A3
DATE	29/01/2010	
DRAWN	OP/CAD	
DRG. No.	C7-P1-RB-EC	2.62

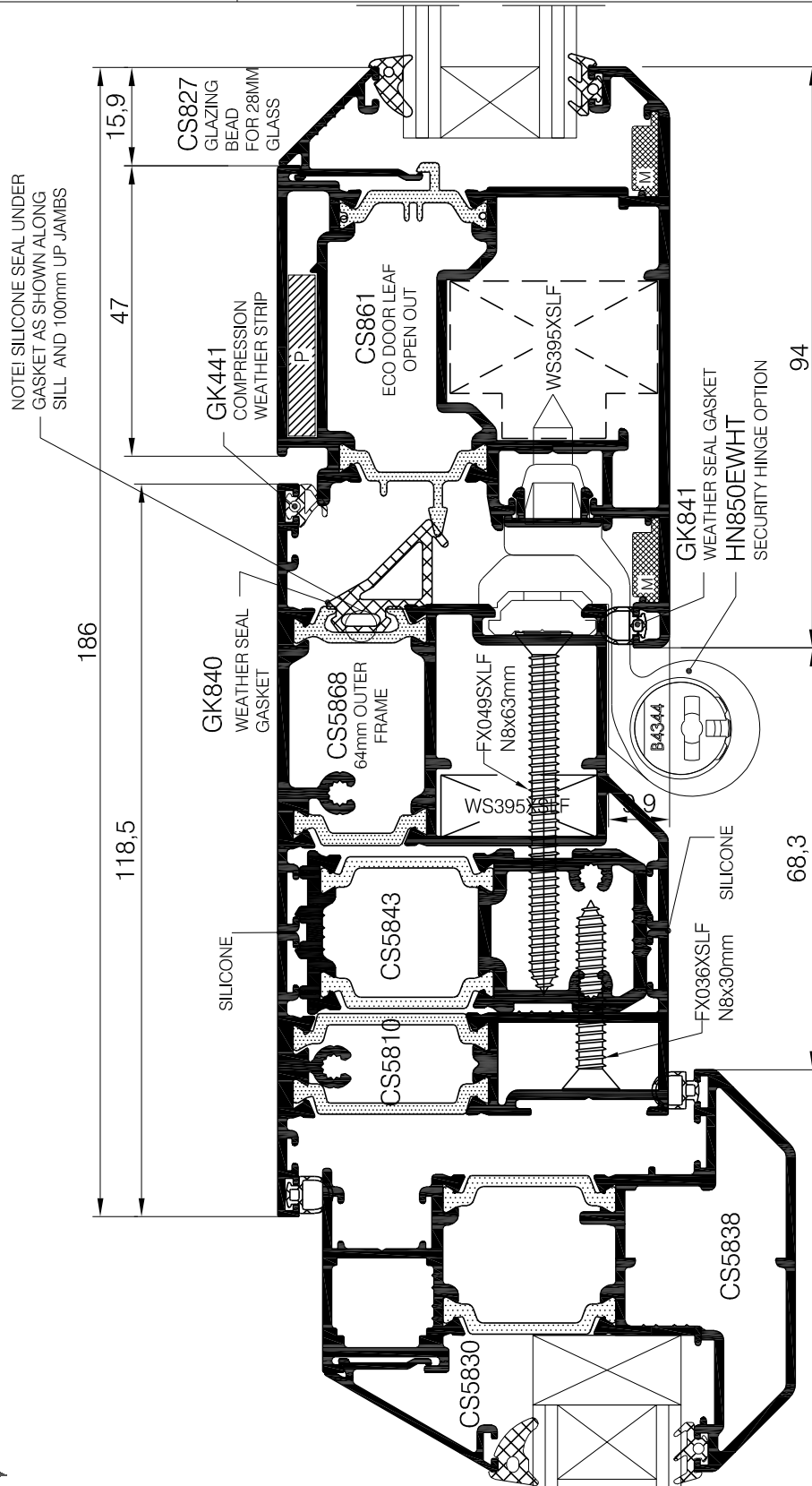


Copyright & ownership of this drawing is vested in COMAR Architectural Aluminium Systems, whose prior written consent is required for its use, reproduction or publication to any third party. All other rights reserved.

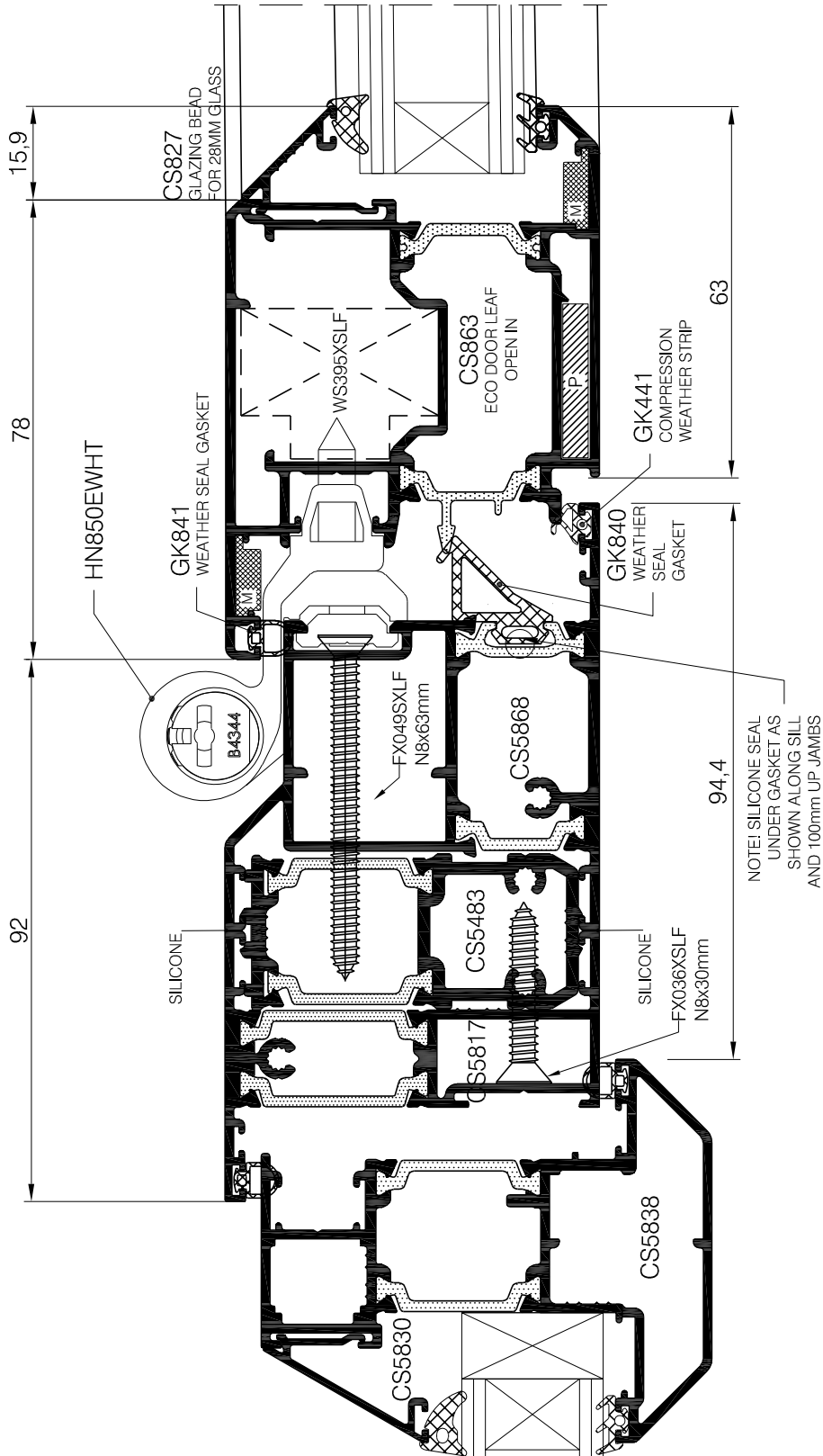


THE PARKSIDE GROUP LTD
UNIT 5 • THE WILLOW CENTRE
17 WILLOW LANE • MITCHAM
SURREY • CR4 4NX
Tel: 020-8685 9685 Fax: 020-8687 1142
Email: technical@parksidegrp.co.uk
Web Site: http://www.comar-salu.co.uk

SCALE	NTS	@A3
DATE	29/01/2010	
DRAWN	OP/CAD	
DRG. No.	C7-P1-RB-EC	2.63

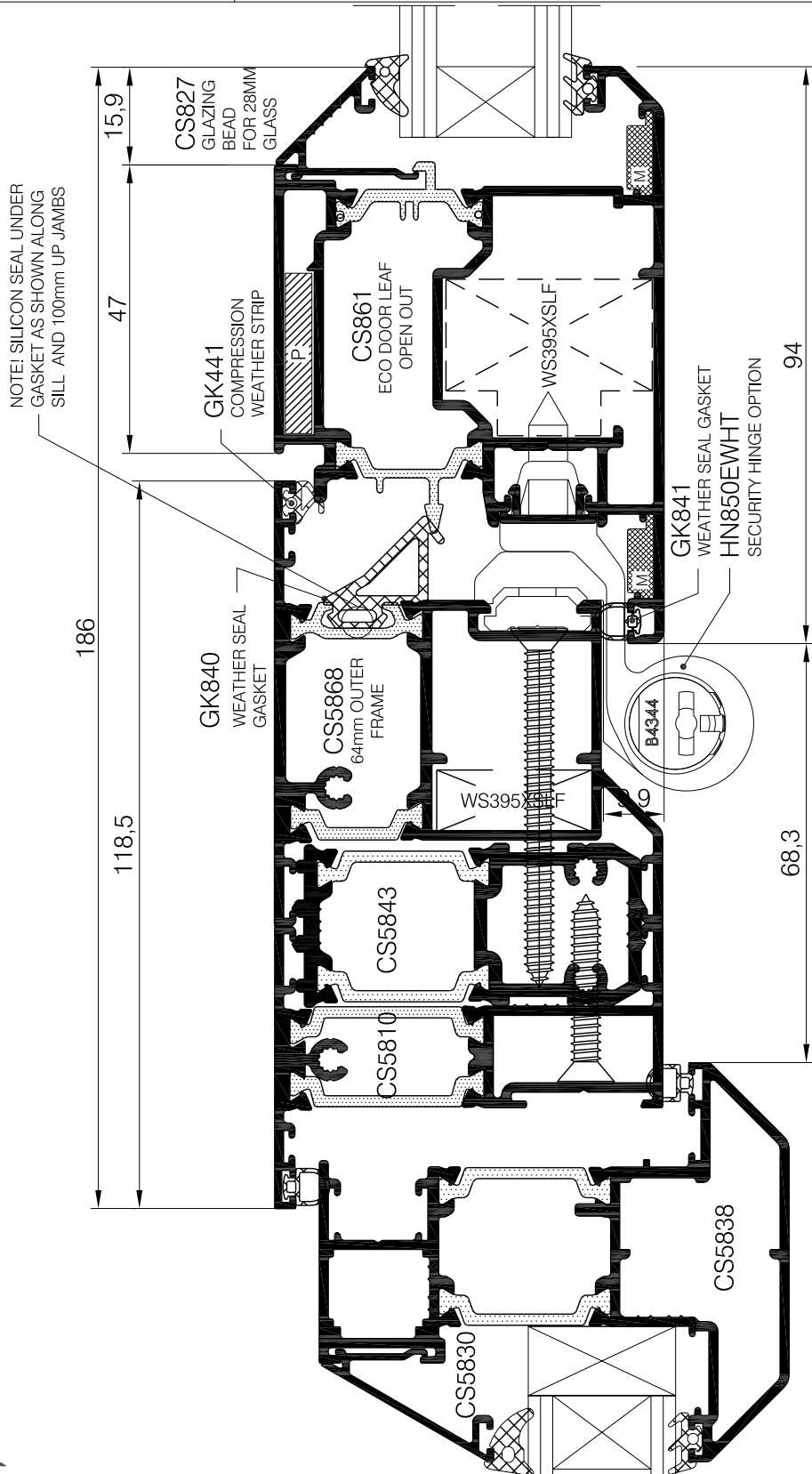


Copyright & ownership of this drawing is vested in COMAR Architectural Aluminium Systems, whose prior written consent is required for its use, reproduction or publication to any third party. All other rights reserved. Subject to modifications without prior notification



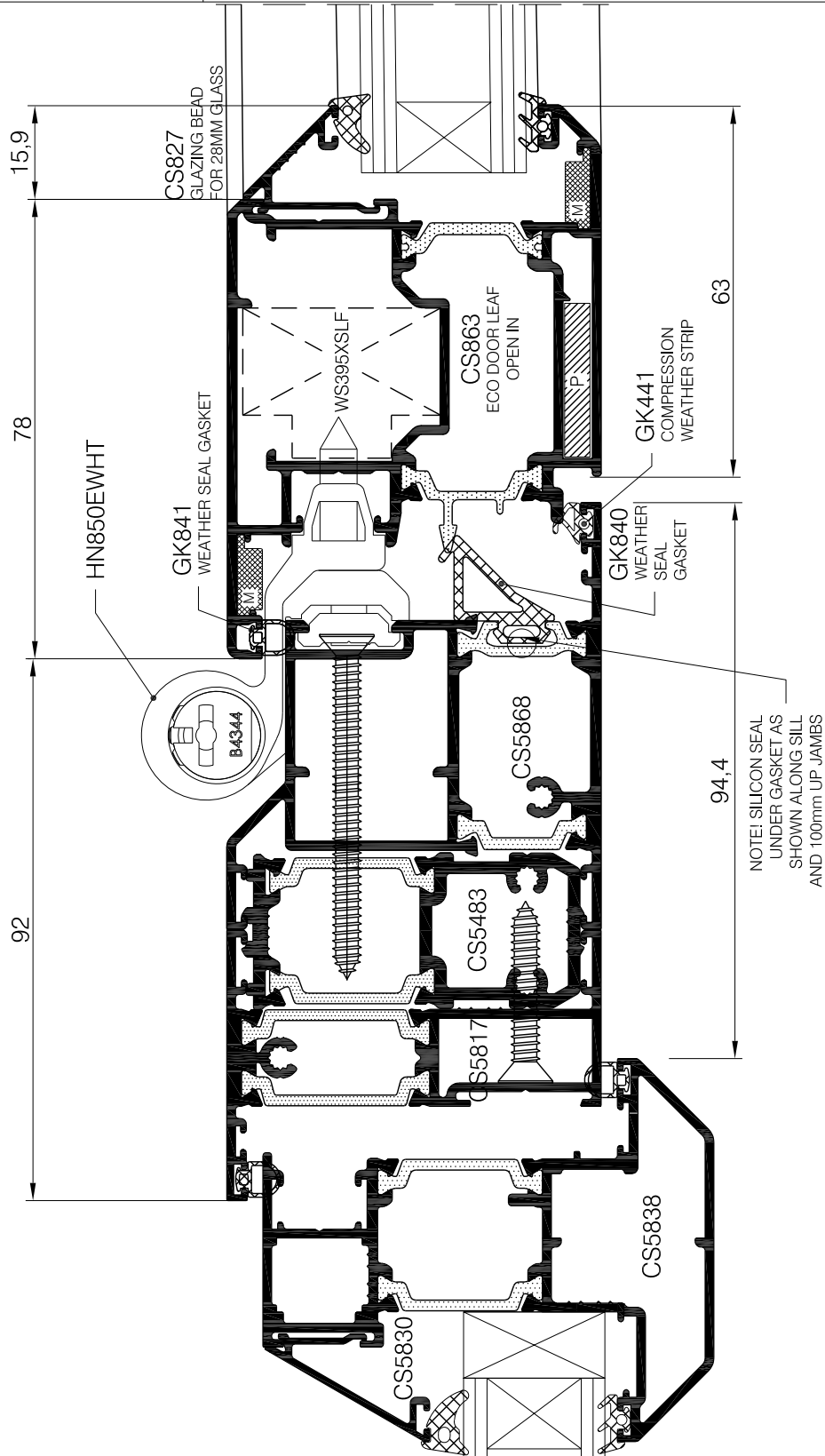
Copyright & ownership of this drawing is vested in COMAR Architectural Aluminium Systems, whose prior written consent is required for its use, reproduction or publication to any third party. All other rights reserved. Subject to modifications without prior notification

SCALE	1:1	© A4
DATE	12-06-2018	
DRAWN	OP/SD	
DRG. No.	C7-Pi-RB-EC 2.65	



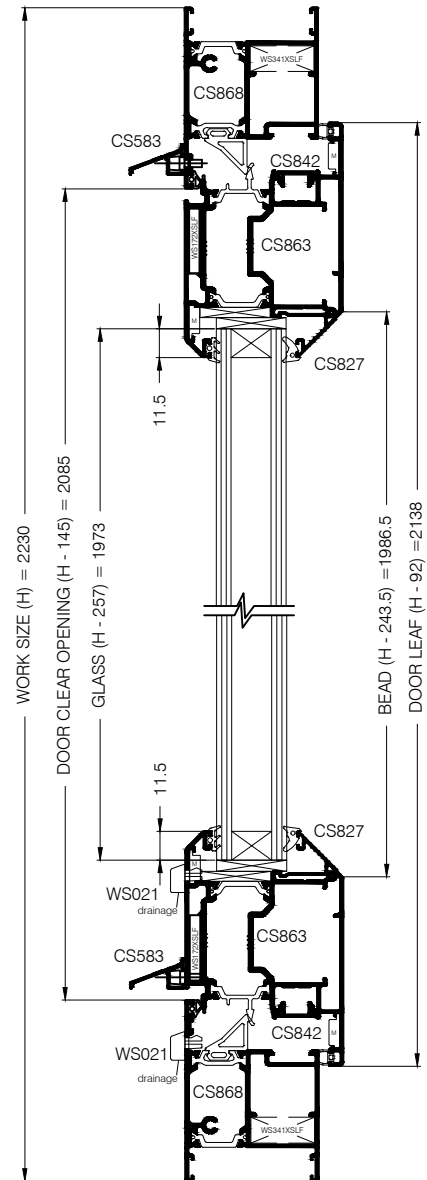
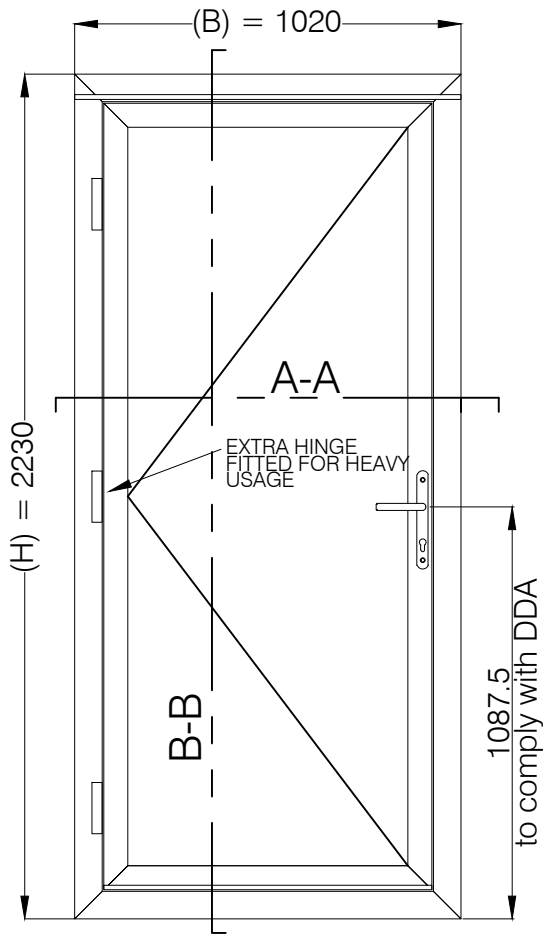
Copyright & ownership of this drawing is vested in COMAR Architectural Aluminium Systems, whose prior written consent is required for its use, reproduction or publication to any third party. All other rights reserved. Subject to modifications without prior notification

SCALE	1:1	© A4
DATE	03-12-2019	
DRAWN	OP/SD	
DRG. No.	C7-Pi-RB-EC 2.66R0	

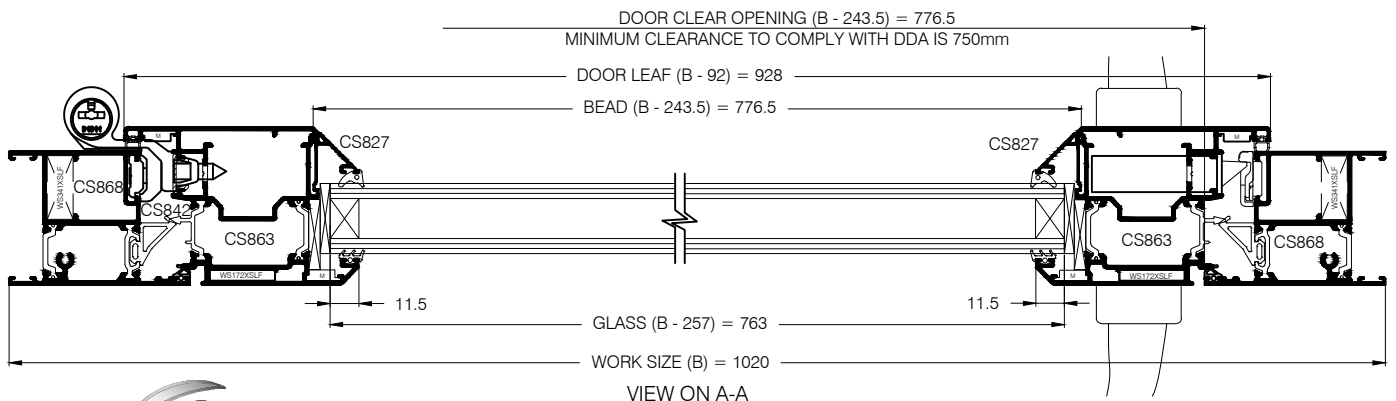


Copyright & ownership of this drawing is vested in COMAR Architectural Aluminium Systems, whose prior written consent is required for its use, reproduction or publication to any third party. All other rights reserved. Subject to modifications without prior notification

SCALE	1:1	© A4
DATE	03-12-2019	
DRAWN	OP/SD	
DRG. No.	C7-Pi-RB-EC 2.67R0	



see Page ECO 2.08 for sill detail
VIEW ON B-B



VIEW ON A-A

Copyright & ownership of this drawing is vested in COMAR Architectural Aluminium Systems, whose prior written consent is required for its use, reproduction or publication to any third party. All other rights reserved. Subject to modifications without prior notification.

SCALE	NTS, 1: 20	© A4
DATE	18/01/2018	
DRAWN	DGN/AMR/NS	
DRG. No.	C7-Pi-RB-EC 3.01R1	

Example cutting list for ECO Rebated Door CS868 Outer Frame (2230mm x 1020mm)					
FRAME - VERTICAL	CS 868	- 2 @	H	2230mm	
FRAME - HORIZONTAL	CS 868	- 2 @	B	1020mm	
WINDOW DRIP - HEAD	CS583	- 1 @	B	1020mm	
COMPRESSION WEATHER STRIP	GK441	- 2 @	H - 130	2100mm	
COMPRESSION WEATHER STRIP	GK441	- 2 @	B - 130	890mm	
WEATHER SEAL	GK840	- 2 @	H - 97	2133mm	
WEATHER SEAL	GK840	- 2 @	B - 97	923mm	

Example cutting list for ECO Rebated Door Leaf (CS 863) (2230mm x 1020mm)					
LEAF - VERTICAL	CS863	- 2 @	H - 92	2138mm	
LEAF - HORIZONTAL	CS863	- 2 @	B - 92	928mm	
BEAD - VERTICAL	CS827*	- 4 @	H - 243.5	1986.5mm	
BEAD - HORIZONTAL	CS827*	- 2 @	B - 243.5	776.5mm	
EURO GROVE INFILL - VERTICAL	CS842	- 1 @	H - 131	2099mm	
EURO GROVE INFILL - HORIZONTAL	CS842	- 2 @	B - 131	889mm	
WINDOW DRIP - SILL	CS583	- 1 @	B - 154	866mm	
6MM BUBBLE GASKET SEAL	GK841	- 2 @	H - 93	2137mm	
6MM BUBBLE GASKET SEAL	GK841	- 2 @	B - 93	927mm	
WEDGE GASKET - VERTICAL	GK405	- 2 @	H - 264	1966mm	
WEDGE GASKET - HORIZONTAL	GK405	- 2 @	B - 264	756mm	
CAPTIVE GASKET - VERTICAL	GK422	- 2 @	H - 264	1966mm	
CAPTIVE GASKET - HORIZONTAL	GK422	- 2 @	B - 264	756mm	

* - USE CS823 FOR SECURITY OPTION WHERE HORIZ PARTS ARE FIXED WITH SCREWS

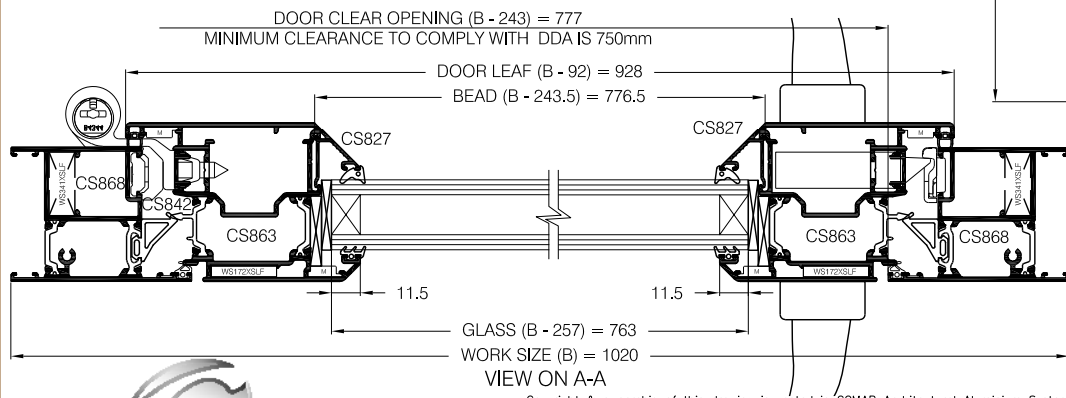
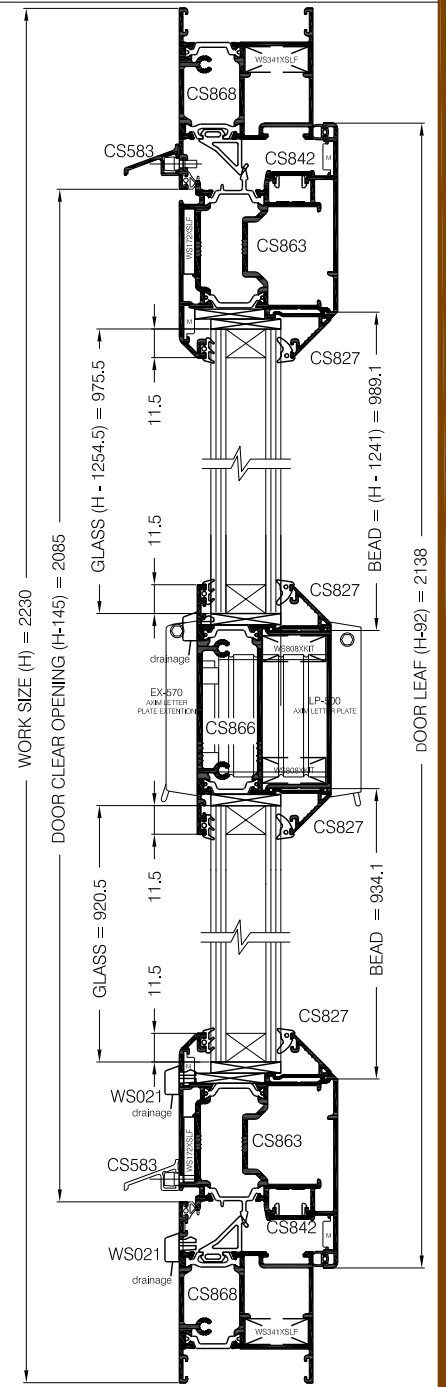
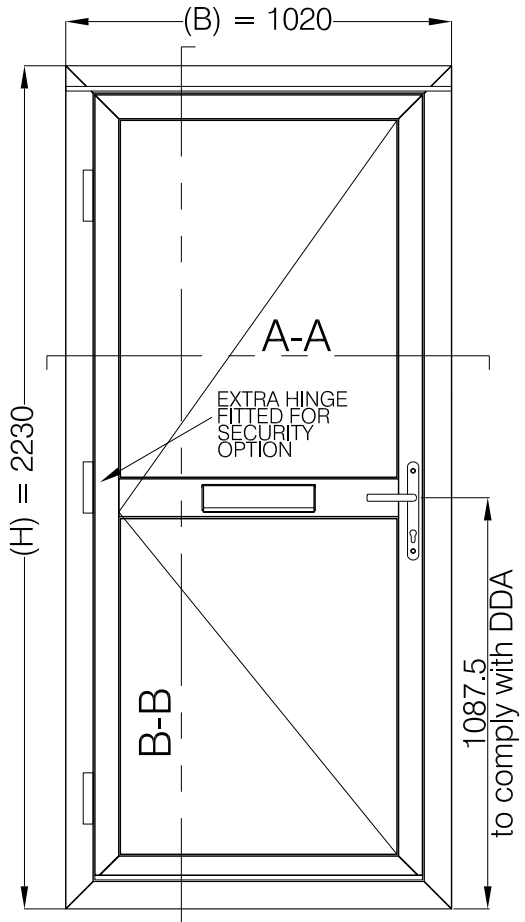
GLASS 28mm - 1 @ SIZE	
GH=H-257	GB=B-257
1973	763

DOOR LEAF
GLASS WEIGHT = ((6mm + 6mm) x 0.0000025) x (744 x 1974) = 44.1Kgs

STANDARD OPTION HARDWARE AND ACCESSORIES		
OUTER FRAME CLEAT	WS341XSFLF	- 4
CLEAT FOR DOOR LEAF	WS395XSFLF	- 4
CLEAT FOR DOOR LEAF	WS172XSFLF	- 4
PIN FOR CLEAT WS172XSFLF	WS092XSFLF	- 8
CHEVRON FOR CS860/868	WS515XSFLF	- 4
ALIGNMENT SQUARE FOR CS861/863	WS416XSFLF	- 8
HINGES (PAIR) WHITE (EWHT) OR SILVER (BSVR)	HN850EWHT	- 1
ONE PIECE LATCH LOCK - 2 HOOKS & 2 ROLLERS	LK830XSFLF	- 1
ROLLER KEEP	LK834XSFLF	- 2
HOOK KEEPS	LK840XSFLF	- 2
CENTRE LATCH KEEPERS LEFT/RIGHT	LK841/842XSFLF	- 1
C7Pi CYLINDER (3KEYS)	LK080BSVR	- 1
STANDARD HANDLE (PAIR) SILVER/WHITE	HN882EWHT	- 1
POP RIVET FOR CS583 SNAP FIT	FX048XSFLF	-10
LIFTING WEDGE	WS561DBLK	- 3
ALI GLUE - 310ml (SPECIFY COLOUR)	SE007-08	- 1
DRAINAGE CAP BLACK (DBLK) OR WHITE (EWHT)	WS021EWHT	- 4

SECURITY OPTION HARDWARE AND ACCESSORIES		
OUTER FRAME CLEAT	WS341XSFLF	- 4
CLEAT FOR DOOR LEAF	WS395XSFLF	- 4
CLEAT FOR DOOR LEAF	WS172XSFLF	- 4
PIN FOR CLEAT WS172XSFLF	WS092XSFLF	- 8
CHEVRON FOR CS860/868	WS515XSFLF	- 4
ALIGNMENT SQUARE FOR CS861/863	WS416XSFLF	- 8
HINGES (PAIR) WHITE (EWHT) OR SILVER (BSVR)	HN851EWHT	- 2
ONE PIECE LATCH LOCK - 2 HOOKS & 2 ROLLERS	LK830XSFLF	- 1
ROLLER KEEP	LK834XSFLF	- 2
HOOK KEEPS	LK840XSFLF	- 2
CENTRE LATCH KEEPERS LEFT/RIGHT	LK841/842XSFLF	- 1
C7Pi CYLINDER (3KEYS)	LK079BSVR	- 1
SECURITY HANDLE (PAIR) SILVER/WHITE	HN881EWHT	- 1
POP RIVET FOR CS583 SNAP FIT	FX048XSFLF	-10
ALI GLUE - 310ml (SPECIFY COLOUR)	SE007-08	- 1
DRAINAGE CAP BLACK (DBLK) OR WHITE (EWHT)	WS021EWHT	- 4
LIFTING WEDGE	WS561DBLK	- 3
THEFT CLAW SASH PART	LK810XSFLF	- 2
EURO GROOVE FILLER 4x100MM	GK054	- 1





see Page ECO 2.08 for sill detail
VIEW ON B-B

Copyright & ownership of this drawing is vested in COMAR Architectural Aluminium Systems, whose prior written consent is required for its use. reproduction or publication to any third party. All other rights reserved. Subject to modifications without prior notification

SCALE	NTS ,1: 30	@ A4
DATE	18/01/2018	
DRAWN	DGN/AMR/NS	
DRG. No.	C7-Pi-RB-EC 3.02R1	

Cutting List Example for Rebated Door CS868 Outer Frame (2230mm x 1020mm)

FRAME - VERTICAL	CS 868	- 2 @	H	2230mm	
FRAME - HORIZONTAL	CS 868	- 2 @	B	1020mm	
WINDOW DRIP - HEAD	CS583	- 1 @	B	1020mm	
COMPRESSION WEATHER STRIP	GK441	- 2 @	H - 131	2099mm	
COMPRESSION WEATHER STRIP	GK441	- 2 @	B - 131	889mm	
WEATHER SEAL	GK840	- 2 @	H - 97	2133mm	
WEATHER SEAL	GK840	- 2 @	B - 97	923mm	

Cutting List Example for Rebated Door Leaf (CS 863) (2230mm x 1020mm)

LEAF - VERTICAL	CS863	- 2 @	H - 92	2138mm		
LEAF - HORIZONTAL	CS863	- 2 @	B - 91	928mm		
BEAD - VERTICAL	CS827	- 2 @	H - 1241	989mm		2 @ 896.6mm
BEAD - HORIZONTAL	CS827	- 4 @	B - 242.5	776.5mm		
MID-RAIL	CS866	- 1 @	B - 247	772mm		
EURO GROVE INFILL - VERTICAL	CS842	- 1 @	H - 131	2099mm		
EURO GROVE INFILL - HORIZONTAL	CS842	- 2 @	B - 131	889mm		
WINDOW DRIP - SILL	CS583	- 1 @	B - 153	866mm		
6MM BUBBLE GASKET SEAL	GK841	- 2 @	H - 92	2137mm		
6MM BUBBLE GASKET SEAL	GK841	- 2 @	B - 92	927mm		
WEDGE GASKET - VERTICAL	GK405	- 2 @	H - 1223	1006mm		2 @ 896.6mm
WEDGE GASKET - HORIZONTAL	GK405	- 2 @	B - 263	756mm		
CAPTIVE GASKET - VERTICAL	GK422	- 2 @	H - 1224	1005mm		2 @ 896.6mm
CAPTIVE GASKET - HORIZONTAL	GK422	- 2 @	B - 263	756mm		

* - USE CS823 FOR SECURITY OPTION WHERE HORIZ PARTS ARE FIXED WITH SCREWS

GLASS 28mm - 2 @ SIZE	
GLASS - TOP PANE	
GH=H-1254.5	GB=B-257
975.5	763
GLASS - BOTTOM PANE	
GH=DDA	GB=B-257
920.5	763

DOOR LEAF

GLASS WEIGHT = ((6mm + 6mm) x 0.0000025) x (763 x 1013) = 23.2Kgs

GLASS WEIGHT = ((6mm + 6mm) x 0.0000025) x (763 x 883) = 20.2Kgs

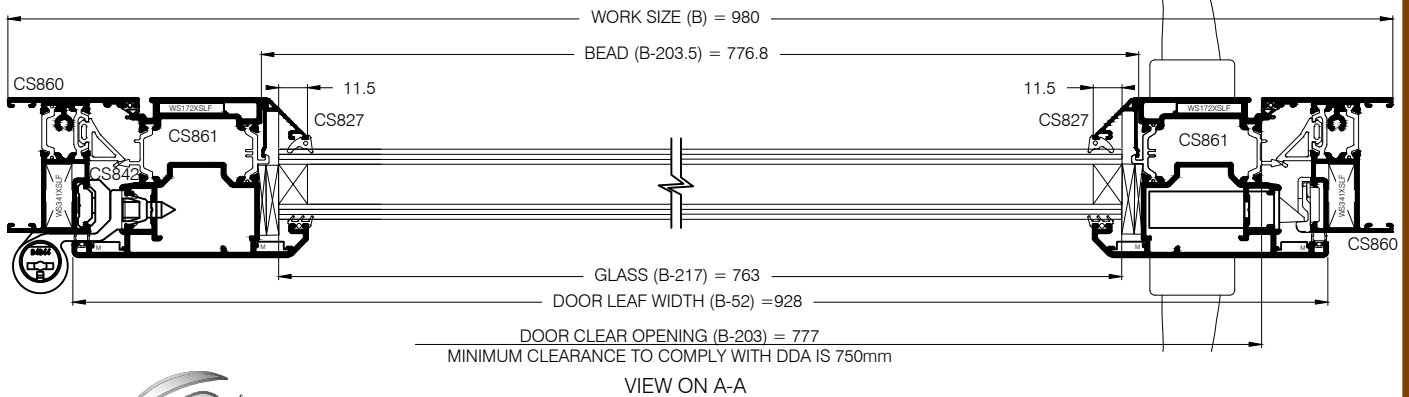
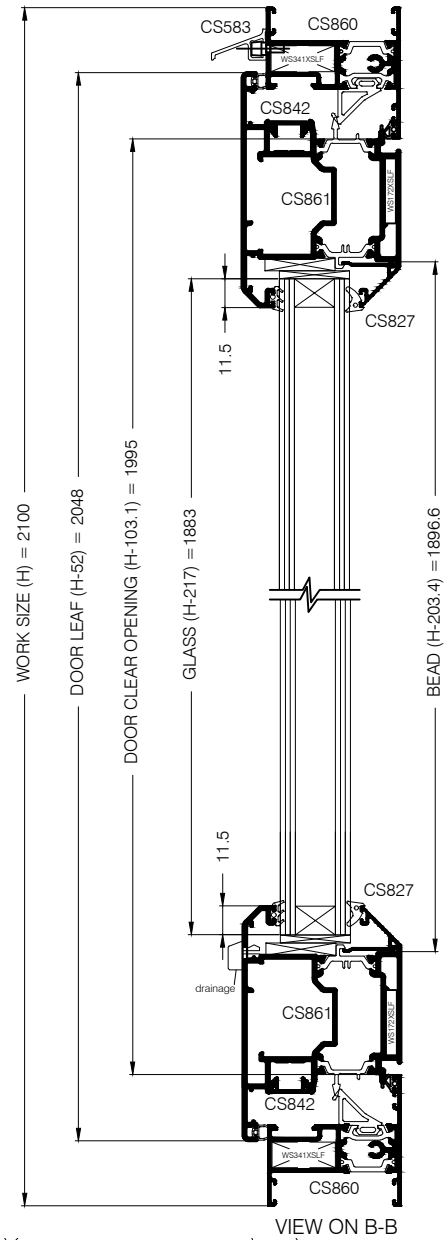
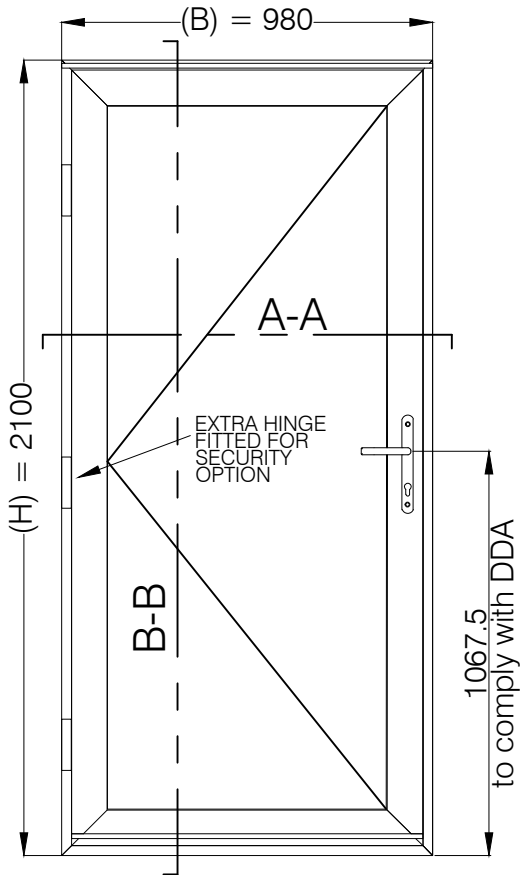
STANDARD OPTION HARDWARE AND ACCESSORIES

OUTER FRAME CLEAT	WS341XSFLF	- 4
CLEAT FOR DOOR LEAF	WS395XSFLF	- 4
CLEAT FOR DOOR LEAF	WS172XSFLF	- 4
PIN FOR CLEAT WS172XSFLF	WS092XSFLF	- 8
CHEVRON FOR CS860/868	WS515XSFLF	- 4
ALIGNMENT SQUARE FOR CS861/863	WS416XSFLF	- 8
CRUCIFORM CLEAT FOR MIDRAIL	WS808XKIT	- 4
HINGES (PAIR) WHITE (EWHT) OR SILVER (BSVR)	HN850EWHT	- 1
ONE PIECE LATCH LOCK - 2 HOOKS & 2 ROLLERS	LK830XSFLF	- 1
ROLLER KEEP	LK834XSFLF	- 2
HOOK KEEPS	LK840XSFLF	- 2
CENTRE LATCH KEEPERS LEFT/RIGHT	LK841/842XSFLF	- 1
C7Pi CYLINDER (3KEYS)	LK080BSVR	- 1
STANDARD HANDLE (PAIR)	HN882EWHT	- 1
POP RIVET FOR CS583 SNAP FIT	FX048XSFLF	- 10
LIFTING WEDGE	WS561DBLK	- 3
ALI GLUE - 310ml (SPECIFY COLOUR)	SE007-08	- 1
DRAINAGE CAP BLACK (DBLK) OR WHITE (EWHT)	WS021EWHT	- 4

SECURITY OPTION HARDWARE AND ACCESSORIES

OUTER FRAME CLEAT	WS341XSFLF	- 4
CLEAT FOR DOOR LEAF	WS395XSFLF	- 4
CLEAT FOR DOOR LEAF	WS172XSFLF	- 4
PIN FOR CLEAT WS172XSFLF	WS092XSFLF	- 8
CHEVRON FOR CS860/868	WS515XSFLF	- 4
CRUCIFORM CLEAT FOR MIDRAIL	WS808XKIT	- 4
ALIGNMENT SQUARE FOR CS861/863	WS416XSFLF	- 8
HINGES (PAIR) WHITE (EWHT) OR SILVER (BSVR)	HN851EWHT	- 2
ONE PIECE LATCH LOCK - 2 HOOKS & 2 ROLLERS	LK830XSFLF	- 1
ROLLER KEEP	LK834XSFLF	- 2
HOOK KEEPS	LK840XSFLF	- 2
CENTRE LATCH KEEPERS LEFT/RIGHT	LK841/842XSFLF	- 1
C7Pi CYLINDER (3KEYS)	LK079BSVR	- 1
SECURITY HANDLE (PAIR)	HN881EWHT	- 1
POP RIVET FOR CS583 SNAP FIT	FX048XSFLF	- 10
ALI GLUE - 310ml (SPECIFY COLOUR)	SE007-08	- 1
DRAINAGE CAP BLACK (DBLK) OR WHITE (EWHT)	WS021EWHT	- 4
LIFTING WEDGE	WS561DBLK	- 3
THEFT CLAW SASH PART	LK810XSFLF	- 2
EURO GROOVE FILLER 4x100MM	GK054	- 1





VIEW ON A-A

Copyright & ownership of this drawing is vested in COMAR Architectural Aluminium Systems, whose prior written consent is required for its use, reproduction or publication to any third party. All other rights reserved. Subject to modifications without prior notification.

SCALE	NTS ,1: 20	© A4
DATE	18/01/2018	
DRAWN	DGN /AMR /NS	
DRG. No.	C7-Pi-RB-EC 3.03R1	

Cutting List Example for Rebated Door CS860 Outer Frame (2100mm x 980mm)

FRAME - VERTICAL	CS860	- 2 @	H	2100mm	
FRAME - HORIZONTAL	CS860	- 2 @	B	980mm	
WINDOW DRIP - HEAD	CS583	- 1 @	B	980mm	
COMPRESSION WEATHER STRIP	GK441	- 2 @	H - 91	2009mm	
COMPRESSION WEATHER STRIP	GK441	- 2 @	B - 91	889mm	
WEATHER SEAL	GK840	- 2 @	H-57	2043mm	
WEATHER SEAL	GK840	- 2 @	B-57	923mm	

Cutting List Example for Rebated Door Leaf (CS861) (2100mm x 980mm)

LEAF - VERTICAL	CS861	- 2 @	H - 52	2048mm	
LEAF - HORIZONTAL	CS861	- 2 @	B - 52	928mm	
BEAD - VERTICAL	CS827	- 2 @	H - 203.4	1896.6mm	
BEAD - HORIZONTAL	CS827	- 2 @	B - 203.4	776.6mm	
EURO GROVE INFILL - VERTICAL	CS842	- 1 @	H - 91	2009mm	
EURO GROVE INFILL - HORIZONTAL	CS842	- 2 @	B - 91	889mm	
6MM BUBBLE GASKET SEAL	GK841	- 2 @	H - 53	2047mm	
6MM BUBBLE GASKET SEAL	GK841	- 2 @	B - 53	927mm	
WEDGE GASKET - VERTICAL	GK405	- 2 @	H - 224	1876mm	
WEDGE GASKET - HORIZONTAL	GK405	- 2 @	B - 224	756mm	
CAPTIVE GASKET - VERTICAL	GK422	- 2 @	H - 224	1876mm	
CAPTIVE GASKET - HORIZONTAL	GK422	- 2 @	B - 224	756mm	

* - USE CS823 FOR SECURITY OPTION WHERE HORIZ PARTS ARE FIXED WITH SCREWS

GLASS 28mm - 1 @ SIZE	
GH=H-217	GB=B-217
1883	763

DOOR LEAF

GLASS WEIGHT = ((6mm + 6mm) x 0.0000025) x (763 x 1883) = 43.1Kgs

Note: Gaskets & Glass dimensions will differ depending on the profiles selected.
Please check your dimensions and cutting calculations carefully before ordering.

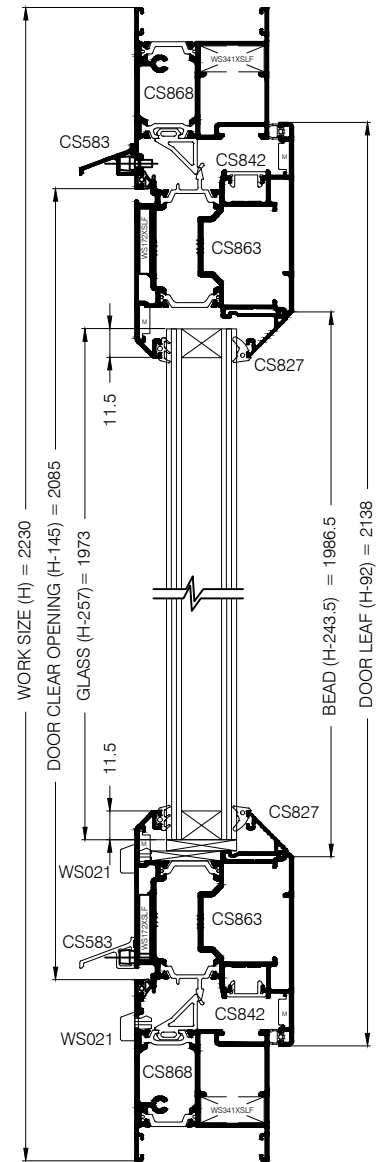
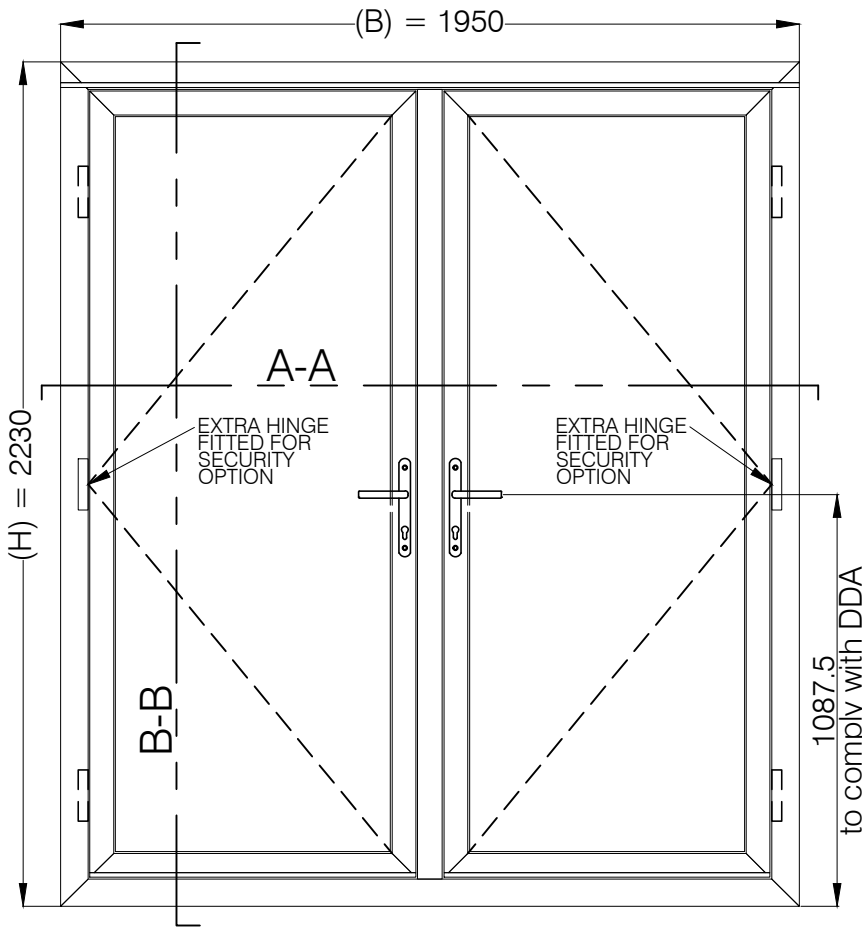
STANDARD OPTION HARDWARE AND ACCESSORIES

OUTER FRAME CLEAT	WS341XSFLF	- 4
CLEAT FOR DOOR LEAF	WS395XSFLF	- 4
CLEAT FOR DOOR LEAF	WS172XSFLF	- 4
PIN FOR CLEAT WS172XSFLF	WS092XSFLF	- 8
CHEVRON FOR CS860/868	WS515XSFLF	- 4
ALIGNMENT SQUARE FOR CS861/863	WS416XSFLF	- 8
HINGES (PAIR) WHITE (EWHT) OR SILVER (BSVR)	HN850EWHT	- 1
ONE PIECE LATCH LOCK - 2 HOOKS & 2 ROLLERS	LK830XSFLF	- 1
ROLLER KEEP	LK834XSFLF	- 2
HOOK KEEPS	LK840XSFLF	- 2
CENTRE LATCH KEEPERS LEFT/RIGHT	LK841/842XSFLF	- 1
C7Pi CYLINDER (3KEYS)	LK080BSVR	- 1
STANDARD HANDLE (PAIR)	HN882EWHT	- 1
POP RIVET FOR CS583 SNAP FIT	FX048XSFLF	- 5
LIFTING WEDGE	WS561DBLK	- 3
ALI GLUE - 310ml (SPECIFY COLOUR)	SE007-08	- 1
DRAINAGE CAP BLACK (DBLK) OR WHITE (EWHT)	WS021EWHT	- 4

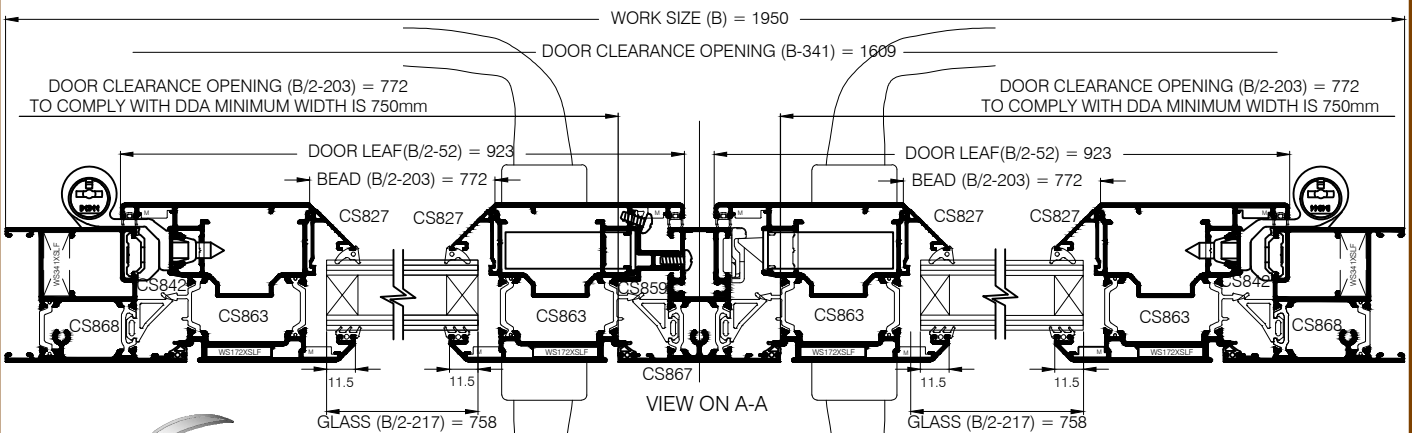
SECURITY OPTION HARDWARE AND ACCESSORIES

OUTER FRAME CLEAT	WS341XSFLF	- 4
CLEAT FOR DOOR LEAF	WS395XSFLF	- 4
CLEAT FOR DOOR LEAF	WS172XSFLF	- 4
PIN FOR CLEAT WS172XSFLF	WS092XSFLF	- 8
CHEVRON FOR CS860/868	WS515XSFLF	- 4
ALIGNMENT SQUARE FOR CS861/863	WS416XSFLF	- 8
HINGES (PAIR) WHITE (EWHT) OR SILVER (BSVR)	HN851EWHT	- 1
ONE PIECE LATCH LOCK - 2 HOOKS & 2 ROLLERS	LK830XSFLF	- 1
ROLLER KEEP	LK834XSFLF	- 2
HOOK KEEPS	LK840XSFLF	- 2
CENTRE LATCH KEEPERS LEFT/RIGHT	LK841/842XSFLF	- 1
C7Pi CYLINDER (3KEYS)	LK079BSVR	- 1
SECURITY HANDLE (PAIR)	HN881EWHT	- 1
POP RIVET FOR CS583 SNAP FIT	FX048XSFLF	- 10
ALI GLUE - 310ml (SPECIFY COLOUR)	SE007-08	- 1
DRAINAGE CAP BLACK (DBLK) OR WHITE (EWHT)	WS021EWHT	- 4
LIFTING WEDGE	WS561DBLK	- 3
THEFT CLAW SASH PART	LK810XSFLF	- 2
EURO GROOVE FILLER 4x100MM	GK054	- 1





see Page ECO 2.08 for sill detail
VIEW ON B-B



Copyright & ownership of this drawing is vested in COMAR Architectural Aluminium Systems, whose prior written consent is required for its use, reproduction or publication to any third party. All other rights reserved. Subject to modifications without prior notification.

FRAME - VERTICAL	CS868	- 2 @	H	2230mm	
FRAME - HORIZONTAL	CS868	- 2 @	B	1950mm	
WINDOW DRIP - HEAD	CS583	- 1 @	B	1950mm	
COMPRESSION WEATHER STRIP	GK441	- 4 @	H - 280	2099mm	
COMPRESSION WEATHER STRIP	GK441	- 2 @	B - 131	1819mm	
WEATHER SEAL	GK840	- 4 @	H - 97	2133mm	
WEATHER SEAL	GK840	- 2 @	B - 97	1853mm	

LEAF - VERTICAL	CS863	- 4 @	H - 92	2138mm	
LEAF - HORIZONTAL	CS863	- 4 @	B/2 - 52	923mm	
FLOATING MULLION	CS867	- 1 @	H - 160	2070mm	
DOOR ADAPTER	CS859	- 1 @	H - 160	2070mm	
BEAD - VERTICAL	CS827*	- 4 @	H - 243.5	1986.5mm	
BEAD - HORIZONTAL	CS827*	- 4 @	B/2 - 203.5	771.5mm	
EURO GROVE INFILL - VERTICAL	CS842	- 2 @	H - 131	2099mm	
EURO GROVE INFILL - HORIZONTAL	CS842	- 4 @	B/2 - 91	884mm	
WINDOW DRIP - SILL	CS583	- 2 @	B/2 - 114	861mm	
6MM BUBBLE GASKET SEAL	GK841	- 4 @	H - 93	2137mm	
6MM BUBBLE GASKET SEAL	GK841	- 4 @	B/2 - 53	922mm	
WEDGE GASKET - VERTICAL	GK405	- 4 @	H - 264	1966mm	
WEDGE GASKET - HORIZONTAL	GK405	- 2 @	B/2 - 224	751mm	
CAPTIVE GASKET - VERTICAL	GK422	- 4 @	H - 264	1966mm	
CAPTIVE GASKET - HORIZONTAL	GK422	- 2 @	B/2 - 224	751mm	

* - USE CS823 FOR SECURITY OPTION WHERE HORIZ PARTS ARE FIXED WITH SCREWS

GLASS SIZE	
GH=H-257 1973	GB= B/2 - 217 758

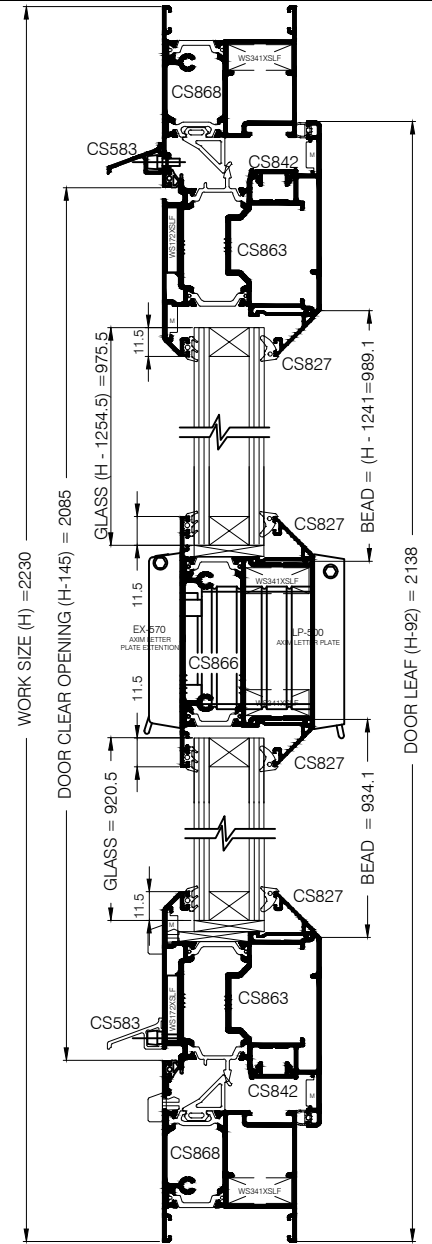
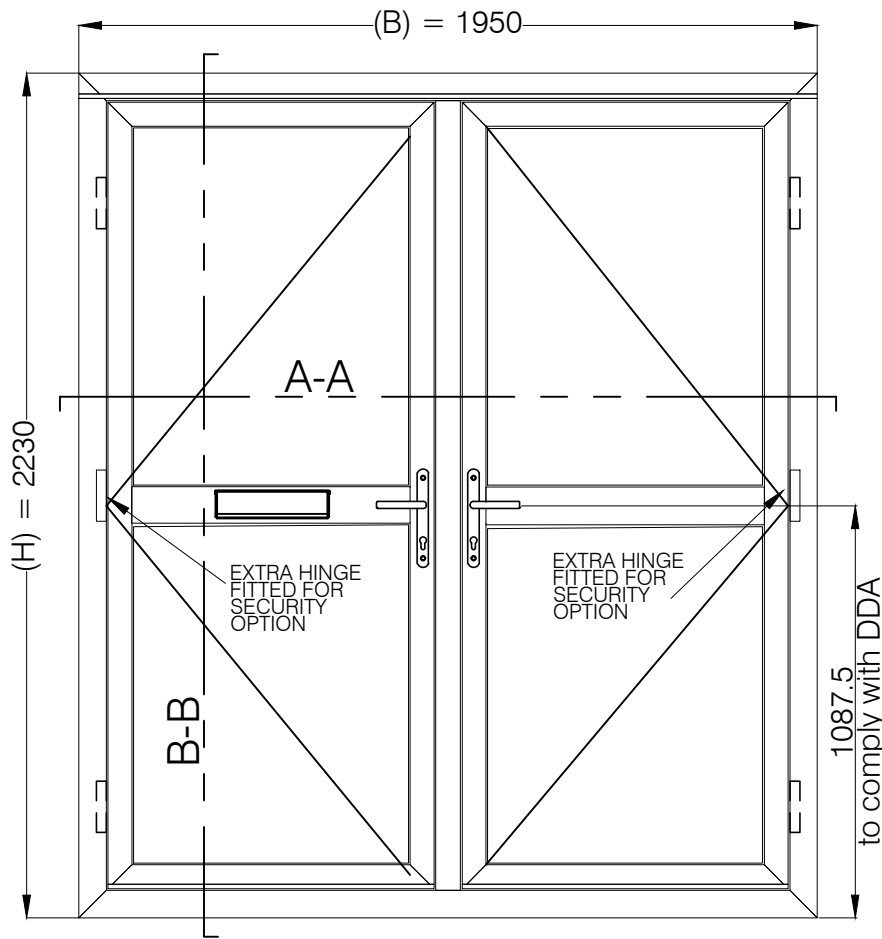
DOOR LEAF

GLASS WEIGHT = ((6mm + 6mm) x 0.0000025) x (759 x 1974) = 44.9 Kgs

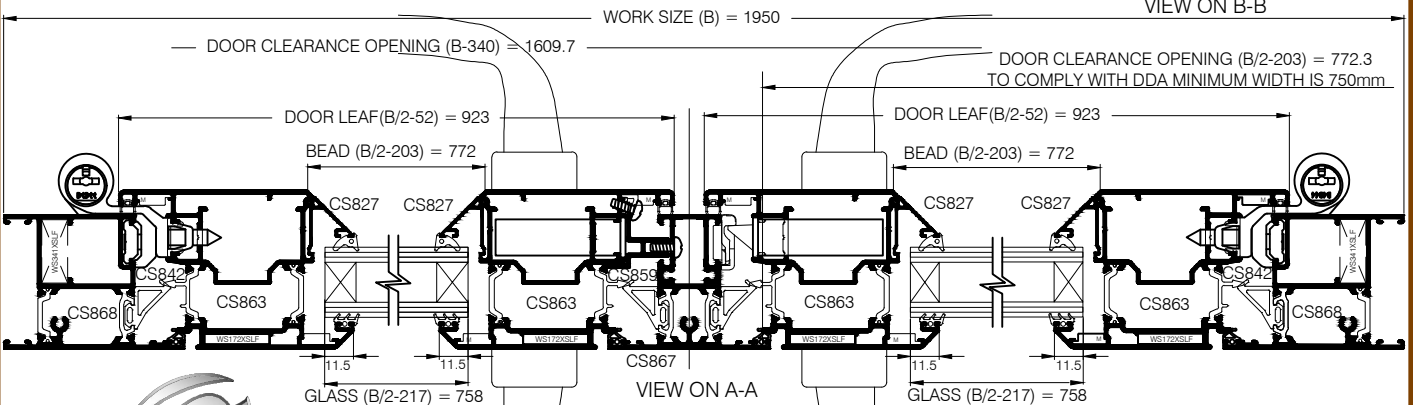
L/L LOCK 2 HOOKS 2 ROLLERS 35MM B/S	LK830XSFL	- 1
HOOK KEEPS	LK840XSFL	- 2
CENTRE LEAF KEEP LEFT/RIGHT	LK841/842XSFL	- 1
ROLLER KEEP	LK834XSFL	- 2
SLAVE LEAF CENTRE SECTION	LK855XSFL	- 1
TOP SHOOT	LK832XSFL	- 1
BOTTOM SHOOT	LK857XSFL	- 1
SINGLE SHOOT KEEP	LK833XSFL	- 2
SINGLE SHOOT KEEP PACKER LEFT/RIGHT	LK838/839XSFL	- 2
C7PI CYLINDER (3KEYS)	LK080BSVR	- 2
DRAINAGE CAP BLACK/WHITE	WS021EWHT	- 8
PIN FOR CLEAT WS172XSFL	WS092XSFL	- 16
CLEAT FOR DOOR LEAF	WS172XSFL	- 8
OUTER FRAME CLEAT	WS341XSFL	- 4
CLEAT FOR DOOR LEAF	WS395XSFL	- 8
ALIGNMENT SQUARE FOR CS861/863	WS416XSFL	- 16
LIFTING WEDGE (PAIRS)	WS561DBLK	- 6
CHEVRON FOR CS860/868	WS515XSFL	- 4
DOOR HINGE (PAIR)	HN850EWHT	- 2
HANDLE (PAIR)	HN882EWHT	- 2
END CAP FOR CS867 BLACK/WHITE (PAIR)	EC867EWHT	- 1
POP RIVET FOR CS583 SNAP FIT	FX048XSFL	- 20
ALI GLUE - 310ml (SPECIFY COLOUR)	SE007-08	- 1

SINGLE DOOR SHOOTBOLT KEEP	LK833XSFL	- 4
ROLLER KEEP	LK834XSFL	- 2
CENTRE/ 2 ROLLERS & LATCH	LK835XSFL	- 1
TOP SHOOT EXT & HOOK 2150-2275	LK836XSFL	- 1
BOTTOM SHOOT EXT & HOOK	LK837XSFL	- 1
HOOK KEEPS	LK840XSFL	- 2
CL KEEPERS - LEFT	LK841XSFL	- 1
SINGLE SHOOT KEEP LEFT/RIGHT PACKER	LK838/839XSFL	- 4
CENTRE / NO ROLLER OR LATCH	LK855XSFL	- 1
TOP SHOOT	LK832XSFL	- 1
BOTTOM SHOOT	LK857XSFL	- 1
LIFTING WEDGE (PAIRS)	WS561DBLK	- 6
HINGE - PAIR	HN851EWHT	- 3
HANDLE - PAIR (SECURITY)	HN881EWHT	- 2
THEFT CLAW SASH PART	LK810XSFL	- 4
EURO GROOVE FILLER 4x100MM	GK054	- 1
DRAINAGE CAP BLACK/WHITE	WS021EWHT	- 4
PIN FOR CLEAT WS172XSFL	WS092XSFL	- 16
CLEAT FOR DOOR LEAF	WS172XSFL	- 8
OUTER FRAME CLEAT	WS341XSFL	- 4
CLEAT FOR DOOR LEAF	WS395XSFL	- 8
ALIGNMENT SQUARE FOR CS861/863	WS416XSFL	- 16
CHEVRON FOR CS860/868	WS515XSFL	- 4
END CAP FOR CS867 BLACK/WHITE (PAIR)	EC867EWHT	- 1
POP RIVET FOR CS583 SNAP FIT	FX048XSFL	- 20
ALI GLUE - 310ml (SPECIFY COLOUR)	SE007-08	- 1
C7PI CYLINDER (3KEYS)	LK079BSVR	- 2

Copyright & ownership of this drawing is vested in COMAR Architectural Aluminium Systems, whose prior written consent is required for its use, reproduction or publication to any third party. All other rights reserved. Subject to modifications without prior notification



see Page ECO 2.08 for sill detail
VIEW ON B-B



VIEW ON A-A

Copyright & ownership of this drawing is vested in COMAR Architectural Aluminium Systems, whose prior written consent is required for its use, reproduction or publication to any third party. All other rights reserved. Subject to modifications without prior notification.

SCALE	NTS ,1: 20	@ A4
DATE	18/01/2018	
DRAWN	DGN /AMR /NS	
DRG. No.	C7-Pi-RB-EC 3.05R1	

FRAME - VERTICAL	CS868	- 2 @	H	2230mm	
FRAME - HORIZONTAL	CS868	- 2 @	B	1950mm	
WINDOW DRIP - HEAD	CS583	- 1 @	B	1950mm	
COMPRESSION WEATHER STRIP	GK441	- 4 @	H - 131	2099mm	
COMPRESSION WEATHER STRIP	GK441	- 2 @	B - 131	1819mm	
WEATHER SEAL	GK840	- 4 @	H - 97	2133mm	
WEATHER SEAL	GK840	- 2 @	B - 97	1853mm	

LEAF - VERTICAL	CS863	- 4 @	H - 92	2138mm	
LEAF - HORIZONTAL	CS863	- 4 @	B/2 - 52	923mm	
FLOATING MULLION	CS867	- 1 @	H - 160	2070mm	
DOOR ADAPTER	CS859	- 1 @	H - 160	2070mm	
MID-RAIL	CS866	- 1 @	B/2 - 198	767mm	
BEAD - VERTICAL - TOP PANE	CS827	- 4 @	H - 1241	989.1mm	
BEAD - VERTICAL - BOTTOM PANE	CS827	- 4 @		934.1mm	
BEAD - HORIZONTAL	CS827	- 4 @	B/2 - 203.5	773.5mm	
EURO GROVE INFILL - VERTICAL	CS842	- 2 @	H - 131	2099mm	
EURO GROVE INFILL - HORIZONTAL	CS842	- 4 @	B/2 - 91	884mm	
WINDOW DRIP - SILL	CS583	- 2 @	B/2 - 94	861mm	
6MM BUBBLE GASKET SEAL	GK841	- 4 @	H - 93	2137mm	
6MM BUBBLE GASKET SEAL	GK841	- 4 @	B/2 - 53	922mm	
WEDGE GASKET - VERTICAL	GK405	- 4 @	H - 944	1006mm	
WEDGE GASKET - HORIZONTAL	GK405	- 2 @	B - 263.5	751mm	
CAPTIVE GASKET - VERTICAL	GK442	- 4 @	H - 945	1005mm	
CAPTIVE GASKET - HORIZONTAL	GK442	- 2 @	B - 262.5	751mm	

* - USE CS823 FOR SECURITY OPTION WHERE HORIZ PARTS ARE FIXED WITH SCREWS

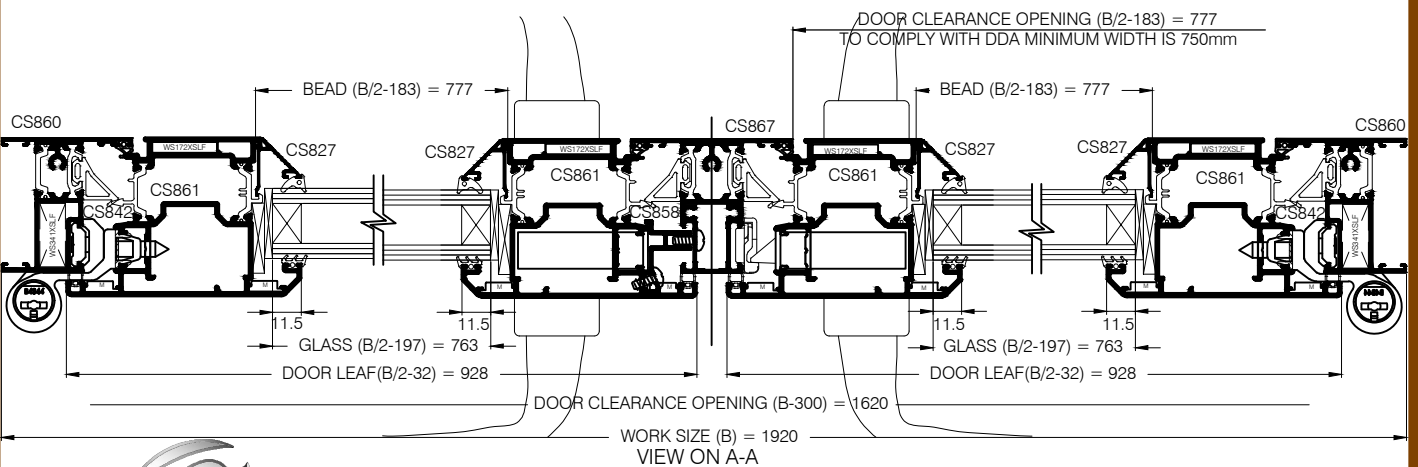
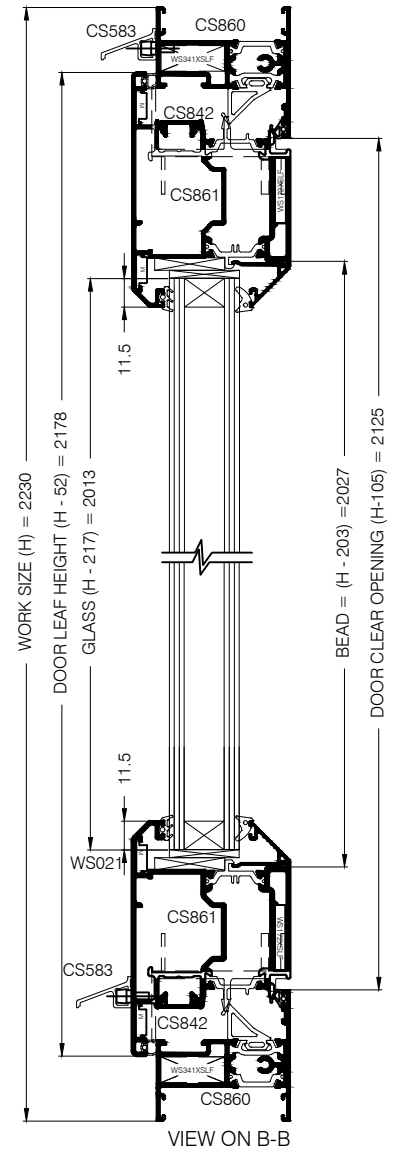
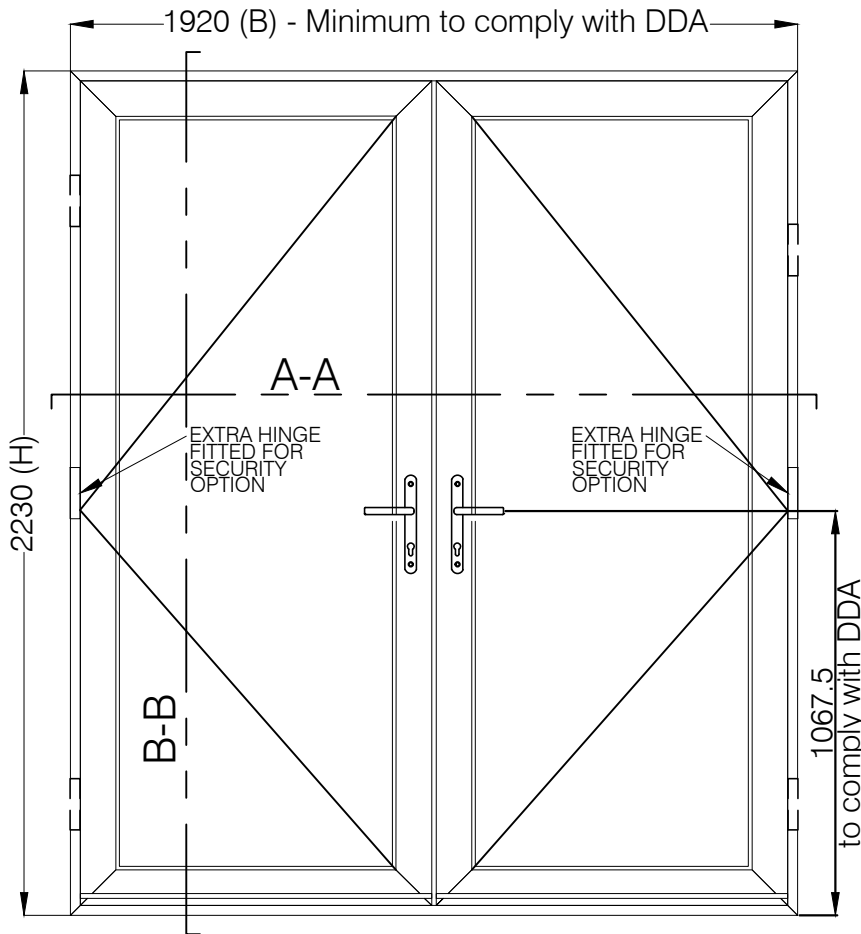
GLASS 28mm - 2 @ SIZE	
GLASS - TOP PANE	
GH=H-1254.5	GB=B/2-217
975.5	758
GLASS - BOTTOM PANE	
GH=DDA	GB=B/2-217
920.5	758

DOOR LEAF
 GLASS WEIGHT = ((6mm + 6mm) x 0.0000025) x (758 x 1013) = 23Kgs
 GLASS WEIGHT = ((6mm + 6mm) x 0.0000025) x (758 x 883) = 20.08Kgs

SINGLE DOOR SHOOTBOLT KEEP	LK833XSFL	- 4
ROLLER KEEP	LK834XSFL	- 2
CENTRE/ 2 ROLLERS & LATCH	LK835XSFL	- 1
TOP SHOOT EXT & HOOK 2150-2275	LK836XSFL	- 1
BOTTOM SHOOT EXT & HOOK	LK837XSFL	- 1
HOOK KEEPS	LK840XSFL	- 2
CL KEEPERS - LEFT	LK841XSFL	- 1
SINGLE SHOOT KEEP LEFT/RIGHT PACKER	LK838/839XSFL	- 4
CENTRE / NO ROLLER OR LATCH	LK855XSFL	- 1
TOP SHOOT	LK832XSFL	- 1
BOTTOM SHOOT	LK857XSFL	- 1
LIFTING WEDGE (PAIRS)	WS561DBLK	- 6
HINGE - PAIR	HN851EWHT	- 3
HANDLE - PAIR (SECURITY)	HN881EWHT	- 2
THEFT CLAW SASH PART	LK810XSFL	- 4
EURO GROOVE FILLER 4x100MM	GK054	- 1
DRAINAGE CAP BLACK/WHITE	WS021EWHT	- 4
PIN FOR CLEAT WS172XSFL	WS092XSFL	- 16
CLEAT FOR DOOR LEAF	WS172XSFL	- 8
OUTER FRAME CLEAT	WS341XSFL	- 4
CLEAT FOR DOOR LEAF	WS395XSFL	- 8
ALIGNMENT SQUARE FOR CS861/863	WS416XSFL	- 16
CHEVRON FOR CS860/868	WS515XSFL	- 4
END CAP FOR CS867 BLACK/WHITE (PAIR)	EC867EWHT	- 1
POP RIVET FOR CS583 SNAP FIT	FX048XSFL	- 20
ALI GLUE - 310ml (SPECIFY COLOUR)	SE007-08	- 1
C7Pi CYLINDER (3KEYS)	LK079BSVR	- 2

L/L LOCK 2 HOOKS 2 ROLLERS 35MM B/S	LK830XSFL	- 1
HOOK KEEPS	LK840XSFL	- 2
CENTRE LEAF KEEP LEFT/RIGHT	LK841/842XSFL	- 1
ROLLER KEEP	LK834XSFL	- 2
SLAVE LEAF CENTRE SECTION	LK855XSFL	- 1
TOP SHOOT	LK832XSFL	- 1
BOTTOM SHOOT	LK857XSFL	- 1
SINGLE SHOOT KEEP	LK833XSFL	- 2
SINGLE SHOOT KEEP PACKER LEFT/RIGHT	LK838/839XSFL	- 2
C7Pi CYLINDER (3KEYS)	LK080BSVR	- 2
DRAINAGE CAP BLACK/WHITE	WS021EWHT	- 8
PIN FOR CLEAT WS172XSFL	WS092XSFL	- 16
CLEAT FOR DOOR LEAF	WS172XSFL	- 8
OUTER FRAME CLEAT	WS341XSFL	- 4
CLEAT FOR DOOR LEAF	WS395XSFL	- 8
ALIGNMENT SQUARE FOR CS861/863	WS416XSFL	- 16
CRUCIFORM CLEAT FOR MIDRAIL	WS808XKIT	- 8
LIFTING WEDGE (PAIRS)	WS561DBLK	- 6
CHEVRON FOR CS860/868	WS515XSFL	- 4
DOOR HINGE (PAIR)	HN850EWHT	- 2
HANDLE (PAIR)	HN882EWHT	- 2
END CAP FOR CS867 BLACK/WHITE (PAIR)	EC867EWHT	- 1
POP RIVET FOR CS583 SNAP FIT	FX048XSFL	- 20
ALI GLUE - 310ml (SPECIFY COLOUR)	SE007-08	- 1

Copyright & ownership of this drawing is vested in COMAR Architectural Aluminium Systems, whose prior written consent is required for its use, reproduction or publication to any third party. All other rights reserved. Subject to modifications without prior notification



Copyright & ownership of this drawing is vested in COMAR Architectural Aluminium Systems, whose prior written consent is required for its use, reproduction or publication to any third party. All other rights reserved. Subject to modifications without prior notification.

FRAME - VERTICAL	CS860	- 2 @	H	2230mm	
FRAME - HORIZONTAL	CS860	- 2 @	B	1920mm	
WINDOW DRIP - HEAD	CS583	- 1 @	B	1920mm	
COMPRESSION WEATHER STRIP	GK441	- 2 @	H - 91	2139mm	
COMPRESSION WEATHER STRIP	GK441	- 2 @	B - 91	1829mm	
WEATHER SEAL	GK840	- 2 @	H-57	2173mm	
WEATHER SEAL	GK840	- 2 @	B-57	1863mm	

LEAF - VERTICAL	CS861	- 4 @	H - 52	2178mm	
LEAF - HORIZONTAL	CS861	- 4 @	B/2 - 32	928mm	
FLOATING MULLION	CS867	- 1 @	H - 120	2110mm	
DOOR ADAPTER	CS858	- 1 @	H - 120	2110mm	
BEAD - VERTICAL - TOP PANE	CS827	- 4 @	H - 203.4	2026.6mm	
BEAD - HORIZONTAL	CS827	- 4 @	B/2 - 183.4	776.6mm	
EURO GROVE INFILL - VERTICAL	CS842	- 2 @	H - 91	2139mm	
EURO GROVE INFILL - HORIZONTAL	CS842	- 4 @	B/2 - 71	889mm	
WINDOW DRIP - SILL	CS583	- 2 @	B/2 - 32	928mm	
6MM BUBBLE GASKET SEAL	GK841	- 4 @	H - 53	2177mm	
6MM BUBBLE GASKET SEAL	GK841	- 4 @	B - 53	927mm	
WEDGE GASKET - VERTICAL	GK405	- 4 @	H - 224	2006mm	
WEDGE GASKET - HORIZONTAL	GK405	- 2 @	B/2 - 209	756mm	
CAPTIVE GASKET - VERTICAL	GK422	- 4 @	H - 224	2006mm	
CAPTIVE GASKET - HORIZONTAL	GK422	- 2 @	B/2 - 209	756mm	

* - USE CS823 FOR SECURITY OPTION WHERE HORIZ PARTS ARE FIXED WITH SCREWS

SINGLE PANE GLASS SIZE	
GH = H - 217	GB= B/2 - 197
2013	763

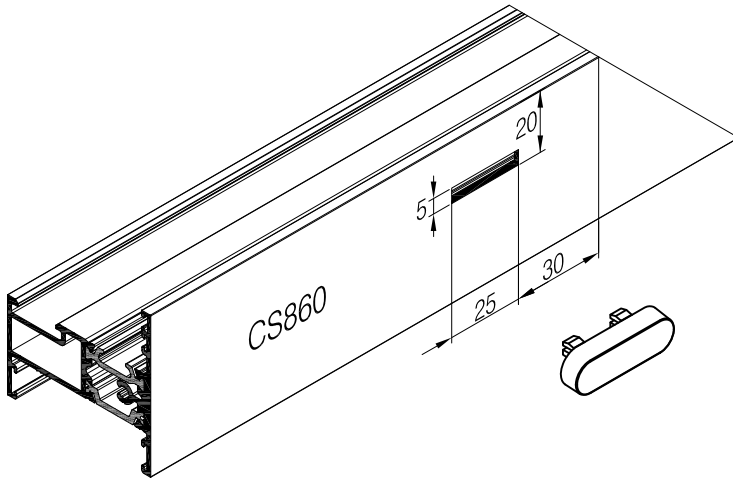
DOOR LEAF
GLASS WEIGHT = ((6mm + 6mm) x 0.0000025) x (763 x 2013) = 46Kg

L/L LOCK 2 HOOKS 2 ROLLERS 35MM B/S	LK830XSFL	- 1
HOOK KEEPS	LK840XSFL	- 2
CENTRE LEAF KEEP LEFT/RIGHT	LK841/842XSFL	- 1
ROLLER KEEP	LK834XSFL	- 2
SLAVE LEAF CENTRE SECTION	LK855XSFL	- 1
TOP SHOOT	LK832XSFL	- 1
BOTTOM SHOOT	LK857XSFL	- 1
SINGLE SHOOT KEEP	LK833XSFL	- 2
SINGLE SHOOT KEEP PACKER LEFT/RIGHT	LK838/839XSFL	- 2
C7Pi CYLINDER (3KEYS)	LK080BSVR	- 2
DRAINAGE CAP BLACK/WHITE	WS021EWHT	- 4
PIN FOR CLEAT WS172XSFL	WS092XSFL	- 16
CLEAT FOR DOOR LEAF	WS172XSFL	- 8
OUTER FRAME CLEAT	WS341XSFL	- 4
CLEAT FOR DOOR LEAF	WS395XSFL	- 8
ALIGNMENT SQUARE FOR CS861/863	WS416XSFL	- 16
LIFTING WEDGE (PAIRS)	WS561DBLK	- 6
CHEVRON FOR CS860/868	WS515XSFL	- 4
DOOR HINGE (PAIR) SILVER/WHITE	HN850EWHT	- 2
HANDLE (PAIR) SILVER/WHITE	HN882EWHT	- 2
END CAP FOR CS867 BLACK/WHITE (PAIR)	EC867EWHT	- 1
POP RIVET FOR CS583 SNAP FIT	FX048XSFL	- 20
ALI GLUE - 310ml (SPECIFY COLOUR)	SE007-08	- 1

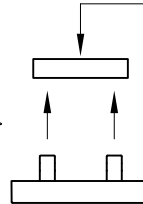
SINGLE DOOR SHOOTBOLT KEEP	LK833XSFL	- 4
ROLLER KEEP	LK834XSFL	- 2
CENTRE/ 2 ROLLERS & LATCH	LK835XSFL	- 1
TOP SHOOT EXT & HOOK 2150-2275	LK836XSFL	- 1
BOTTOM SHOOT EXT & HOOK	LK837XSFL	- 1
HOOK KEEPS	LK840XSFL	- 2
CL KEEPERS - LEFT	LK841XSFL	- 1
SINGLE SHOOT KEEP LEFT/RIGHT PACKER	LK838/839XSFL	- 4
CENTRE / NO ROLLER OR LATCH	LK855XSFL	- 1
TOP SHOOT	LK832XSFL	- 1
BOTTOM SHOOT	LK857XSFL	- 1
LIFTING WEDGE (PAIRS)	WS561DBLK	- 6
HINGE - PAIR SILVER/WHITE	HN851EWHT	- 3
HANDLE - PAIR (SECURITY) SILVER/WHITE	HN881EWHT	- 2
THEFT CLAW SASH PART	LK810XSFL	- 4
EURO GROOVE FILLER 4x100MM	GK054	- 1
DRAINAGE CAP BLACK/WHITE	WS021EWHT	- 4
PIN FOR CLEAT WS172XSFL	WS092XSFL	- 16
CLEAT FOR DOOR LEAF	WS172XSFL	- 8
OUTER FRAME CLEAT	WS341XSFL	- 4
CLEAT FOR DOOR LEAF	WS395XSFL	- 8
ALIGNMENT SQUARE FOR CS861/863	WS416XSFL	- 16
CHEVRON FOR CS860/868	WS515XSFL	- 4
END CAP FOR CS867 BLACK/WHITE (PAIR)	EC867EWHT	- 1
POP RIVET FOR CS583 SNAP FIT	FX048XSFL	- 20
ALI GLUE - 310ml (SPECIFY COLOUR)	SE007-08	- 1
C7Pi CYLINDER (3KEYS)	LK079BSVR	- 2

Copyright & ownership of this drawing is vested in COMAR Architectural Aluminium Systems, whose prior written consent is required for its use, reproduction or publication to any third party. All other rights reserved. Subject to modifications without prior notification

TOOLING REF:
COM 7 ECO T15 STATION 6

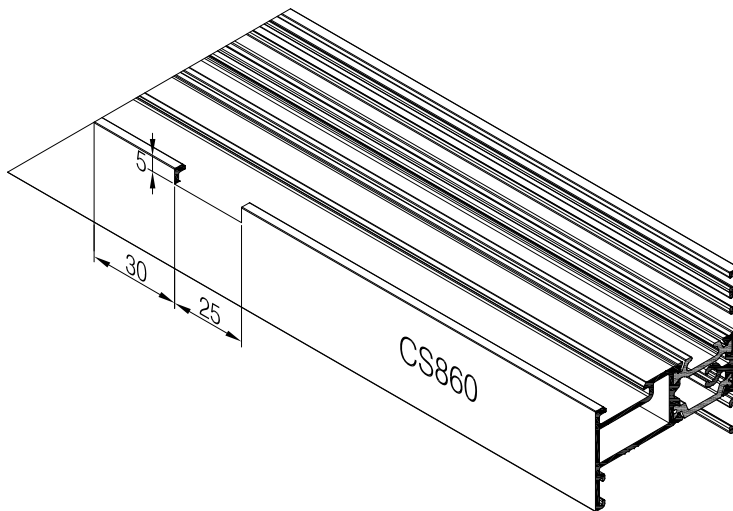


5mm x 25mm SLOT



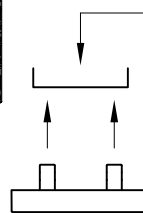
DRAIN CAP REFERENCE:
WS021

NOTE:-
COVER CAPS SHOULD BE
GLUED IN PLACE FOR
SECURITY WITH ADHESIVE
REF: SE007
BLACK OR WHITE



TOOLING REF:
COM 7 ECO T15 STATION 7

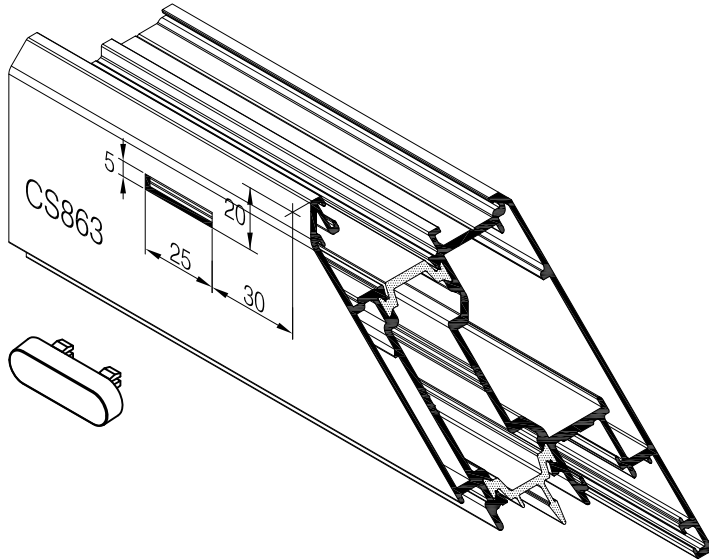
5 mm X 25 mm NOTCH



DRAIN CAP REFERENCE:
WS021

NOTE:-
COVER CAPS SHOULD BE
GLUED IN PLACE FOR
SECURITY WITH ADHESIVE
REF: SE007
BLACK OR WHITE

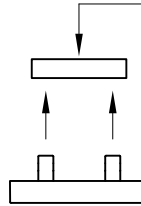




TOOLING REF:

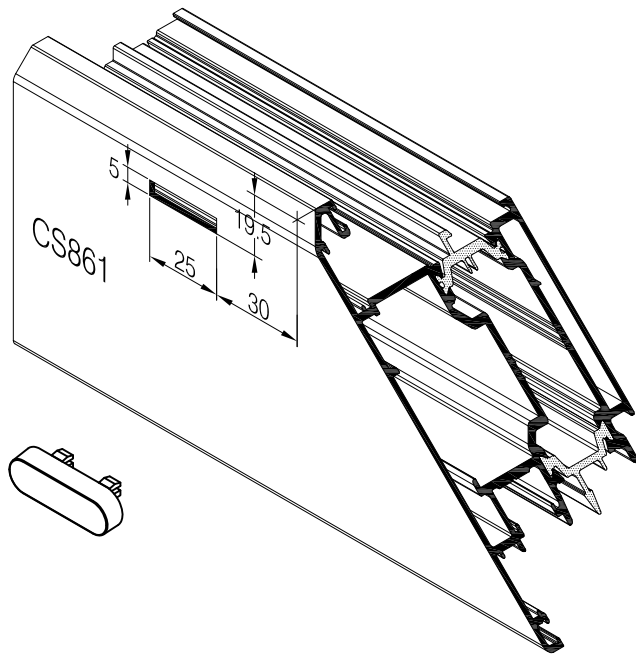
COM 7 ECO T15 STATION 6

5 mm x 25 mm SLOT



DRAIN CAP REFERENCE:
WS021

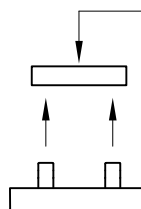
NOTE:-
COVER CAPS SHOULD BE
GLUED IN PLACE FOR
SECURITY WITH ADHESIVE
REF: SE007
BLACK OR WHITE



TOOLING REF:

COM 7 ECO T15 STATION 6

5 mm X 25 mm SLOT

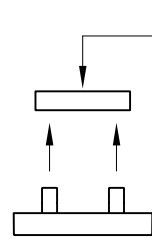
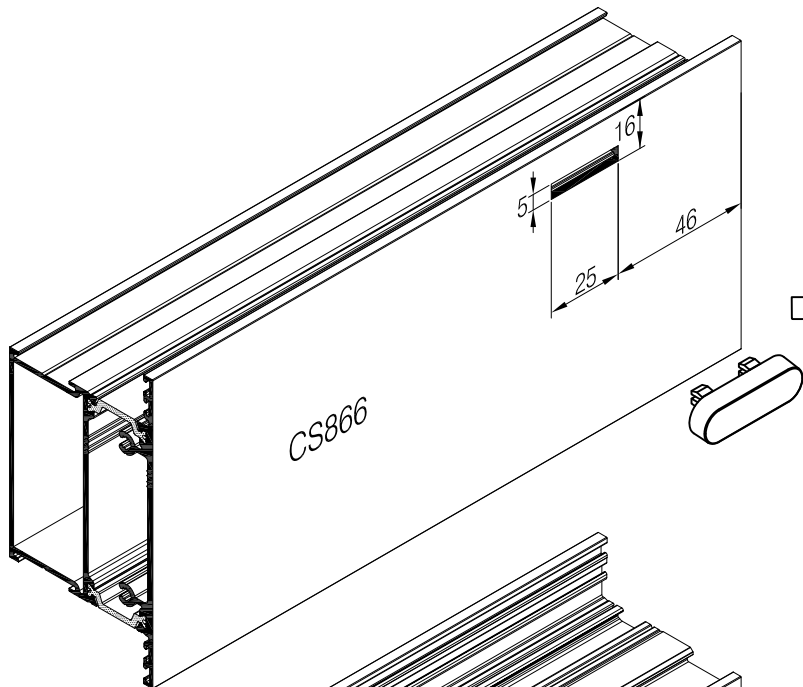


DRAIN CAP REFERENCE:
WS021

NOTE:-
COVER CAPS SHOULD BE
GLUED IN PLACE FOR
SECURITY WITH ADHESIVE
REF: SE007
BLACK OR WHITE



TOOLING REF:
COM 7 ECO T15 STATION 1



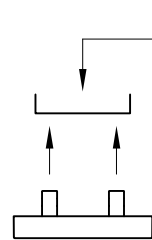
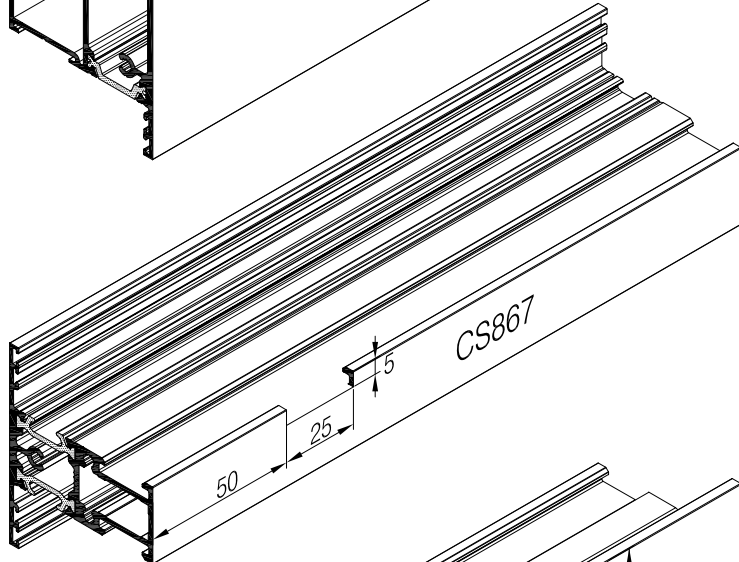
5mm x 25mm SLOT

DRAIN CAP REFERENCE:
WS021

NOTE:-
COVER CAPS SHOULD BE
GLUED IN PLACE FOR
SECURITY WITH ADHESIVE
REF: SE007
BLACK OR WHITE

FOR OPEN OUT
CONFIGURATION

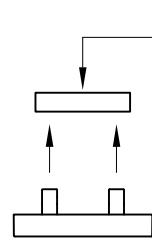
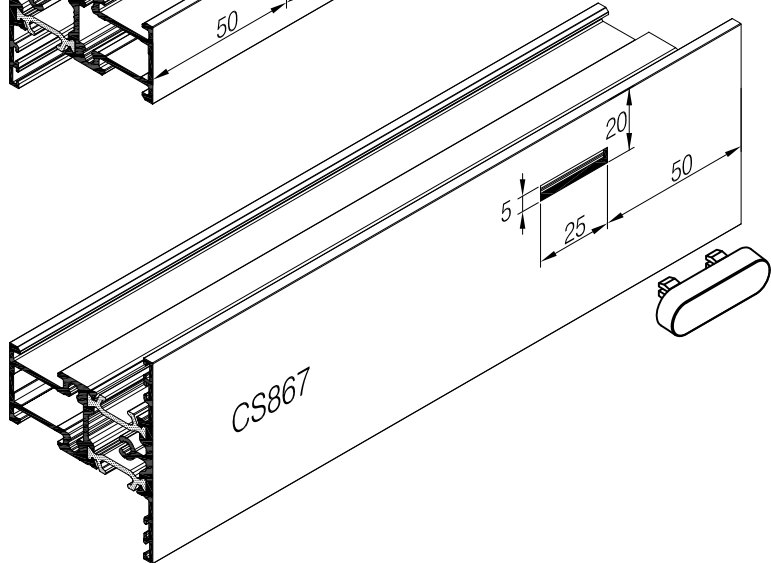
TOOLING REF:
COM 7 ECO T15 STATION 7



5 mm x 25 mm NOTCH

FOR OPEN IN
CONFIGURATION

TOOLING REF:
COM 7 ECO T15 STATION 6



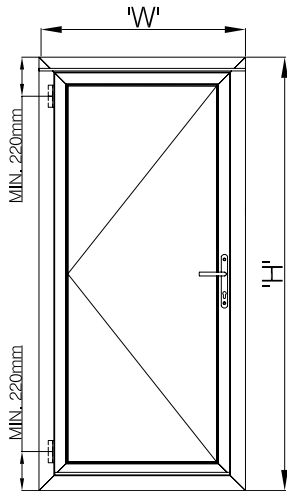
5 mm X 25mm SLOT

DRAIN CAP REFERENCE:
WS021

NOTE:-
COVER CAPS SHOULD BE
GLUED IN PLACE FOR
SECURITY WITH ADHESIVE
REF: SE007
BLACK OR WHITE



SCALE	NTS	@ A4
DATE	06/12/2017	
DRAWN	0P / KD	
DRG. No.	C7Pi-RB-EC 3.09 R2	



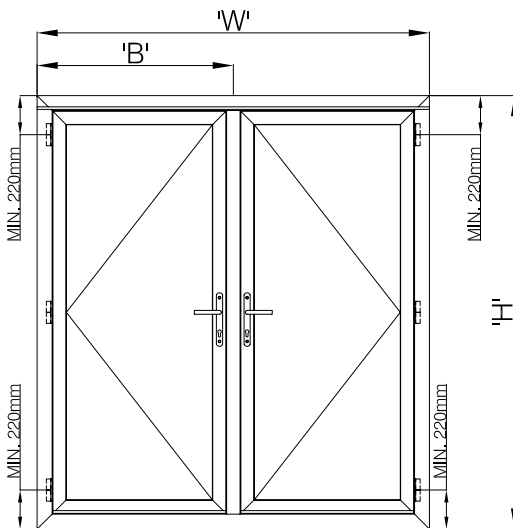
**LIGHT DUTY
WITH TWO HINGES FITTED**
MAX DOOR SIZE WIDTH 1100
MAX DOOR SIZE HEIGHT 2400
WEIGHT 90Kgs

HINGE: HN850EWHT/HN850BSVR
SECURITY HINGE: HN851EWHT/HN851BSVR

For external open out doors provision must be made to protect the door from adjacent walls and obstruction.

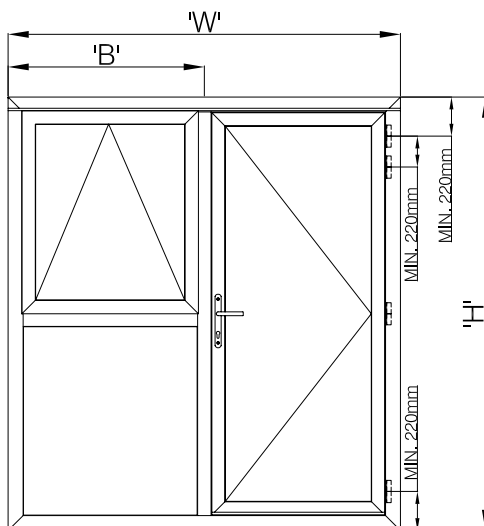
Doors should not exceed an area of 2.2m². For safety Comar do not recommend sizes exceeding limits (2.4m high or 1.1m width)

Note: EWHT and BSVR refers to the paint finish white or silver respectively.



**NORMAL DUTY
WITH THREE HINGES FITTED**
MAX DOOR SIZE WIDTH 1100
MAX DOOR SIZE HEIGHT 2400
WEIGHT 90Kgs

HINGE: HN850EWHT/HN850BSVR
SECURITY HINGE: HN851EWHT/HN851BSVR



**HEAVY DUTY
WITH FOUR HINGES FITTED**
MAX DOOR SIZE WIDTH 1100
MAX DOOR SIZE HEIGHT 2400
WEIGHT 90Kgs

HINGE: HN850EWHT/HN850BSVR
SECURITY HINGE: HN851EWHT/HN851BSVR

Copyright & ownership of this drawing is vested in COMAR Architectural Aluminium Systems, whose prior written consent is required for its use, reproduction or publication to any third party. All other rights reserved. Subject to modifications without prior notification



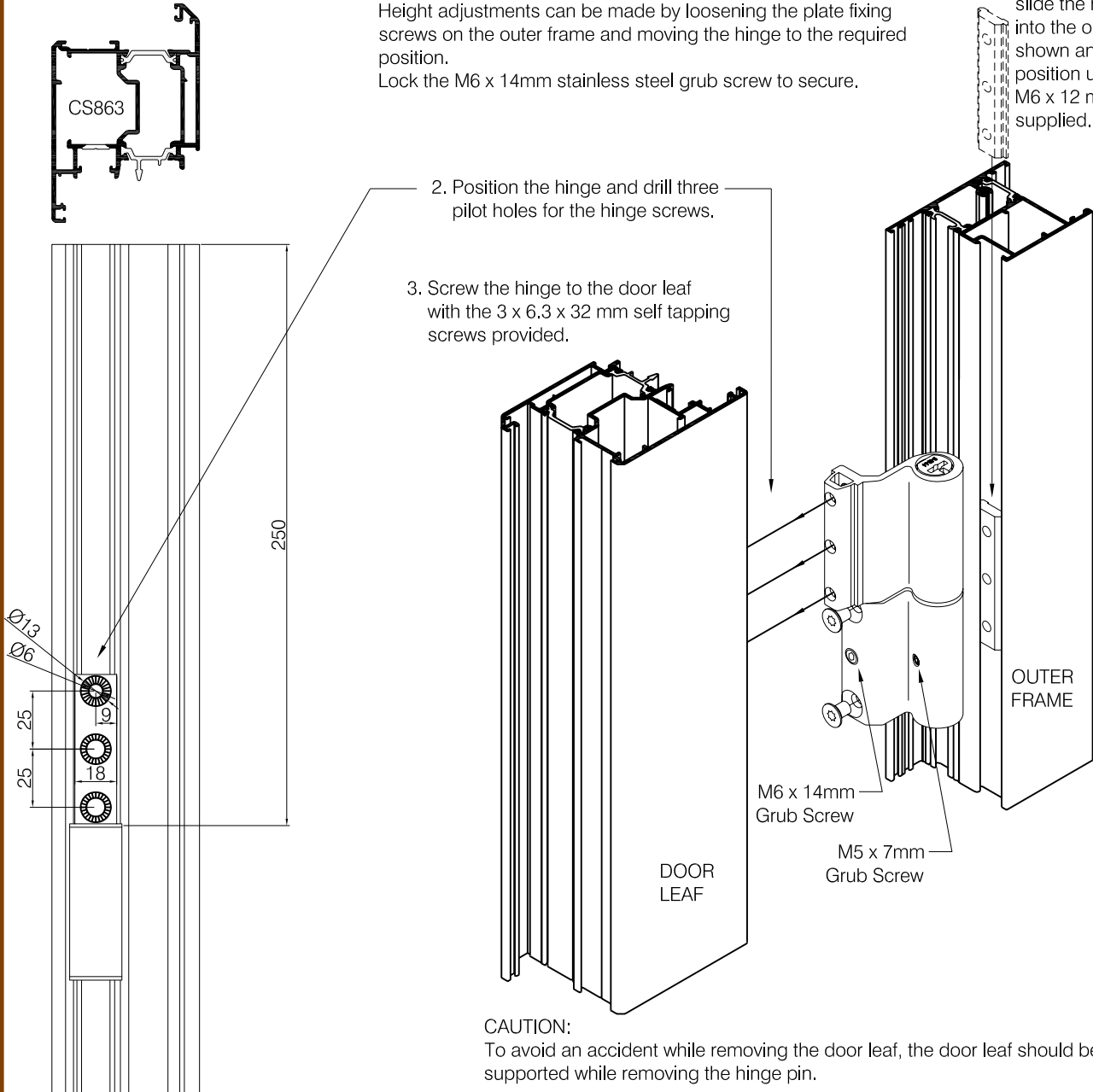
SCALE	NTS	© A4
DATE	29/01/2010	
DRAWN	OP/CAD	
DRG. No.	C7-Pi-RB-EC 3.10	

4. With the door installed the hinge has a side adjustment of the distance between the door leaf and the outer frame of ± 1 mm. Side adjustments can be made using a screwdriver. Height adjustments can be made by loosening the plate fixing screws on the outer frame and moving the hinge to the required position. Lock the M6 x 14mm stainless steel grub screw to secure.

1. Prior to assembly slide the hinge plate into the outer frame as shown and secure in position using the two M6 x 12 mm screws supplied.

2. Position the hinge and drill three pilot holes for the hinge screws.

3. Screw the hinge to the door leaf with the 3 x 6.3 x 32 mm self tapping screws provided.



CAUTION:

To avoid an accident while removing the door leaf, the door leaf should be supported while removing the hinge pin.

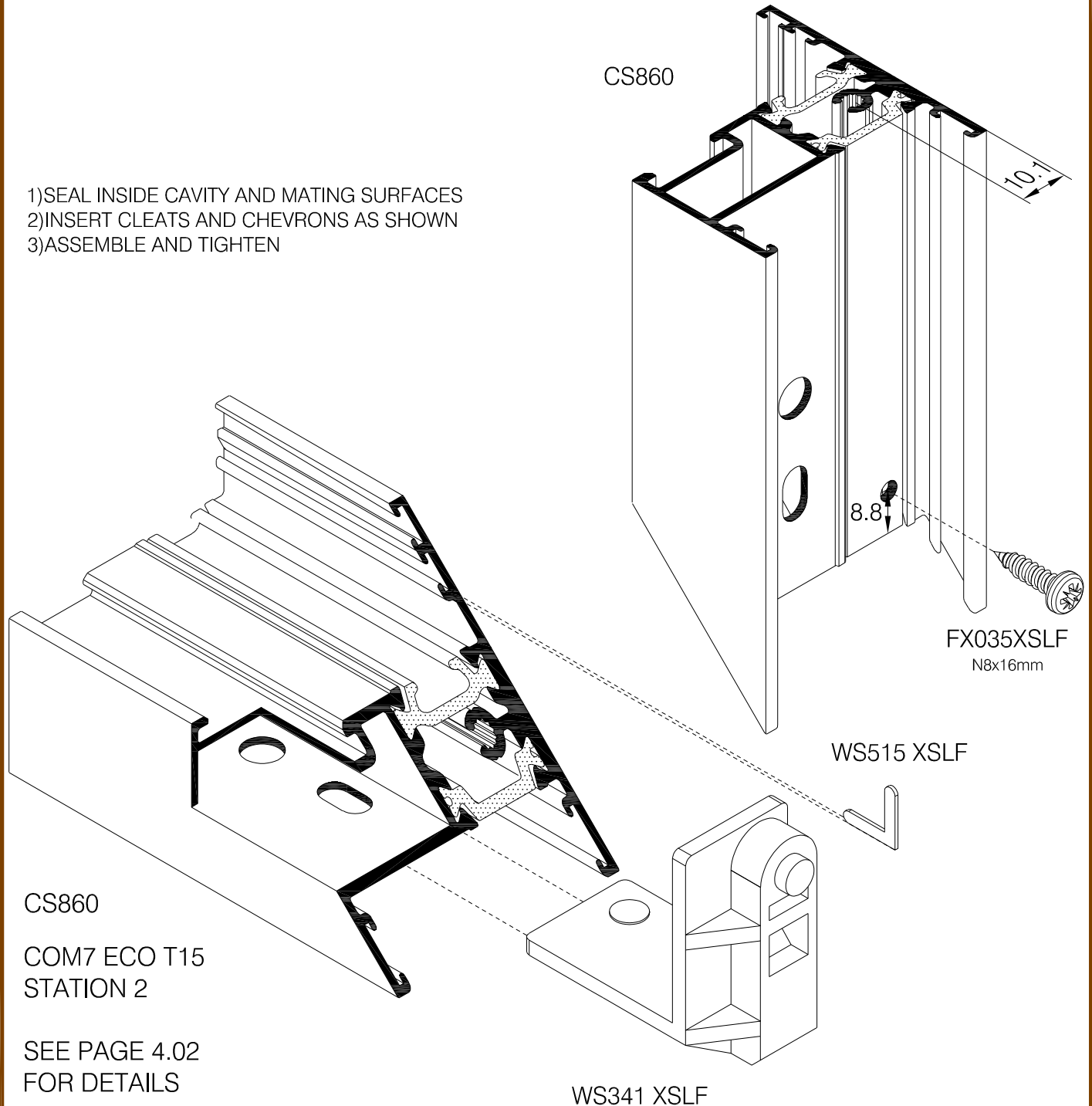
The stainless pin is completely removable, enabling the leaf to be easily removed from the frame without lifting it.

The pin is held by M5 x 7 stainless grub screw, which can be accessed when leaf is open, using 2.5mm Allen key.

The hinge is supplied fully pre-assembled for right-hand opening.

Copyright & ownership of this drawing is vested in COMAR Architectural Aluminium Systems, whose prior written consent is required for its use, reproduction or publication to any third party. All other rights reserved. Subject to modifications without prior notification.

- 1) SEAL INSIDE CAVITY AND MATING SURFACES
- 2) INSERT CLEATS AND CHEVRONS AS SHOWN
- 3) ASSEMBLE AND TIGHTEN



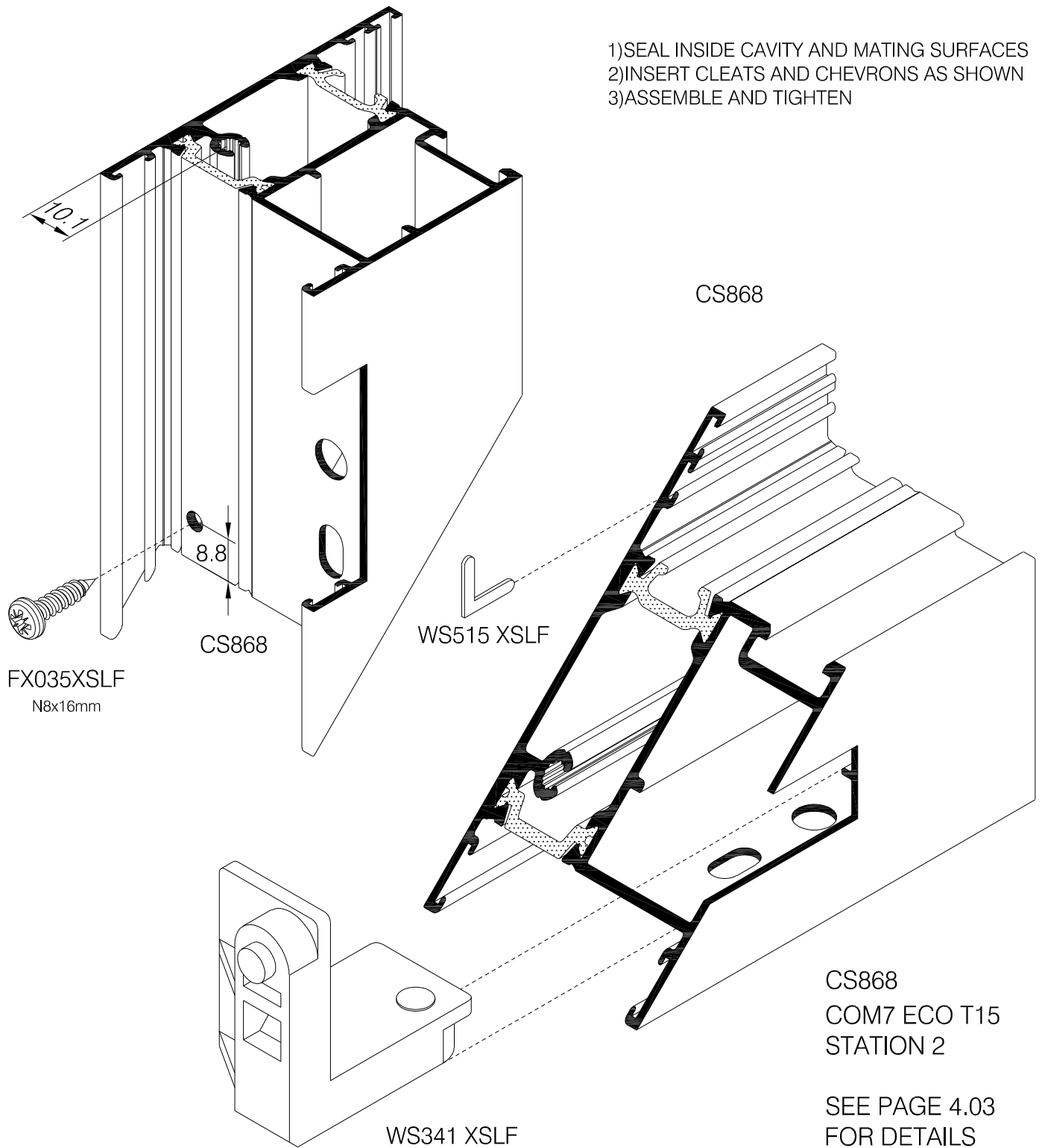
CS860
COM7 ECO T15
STATION 2

SEE PAGE 4.02
FOR DETAILS

WS341 XSLF



- 1) SEAL INSIDE CAVITY AND MATING SURFACES
- 2) INSERT CLEATS AND CHEVRONS AS SHOWN
- 3) ASSEMBLE AND TIGHTEN



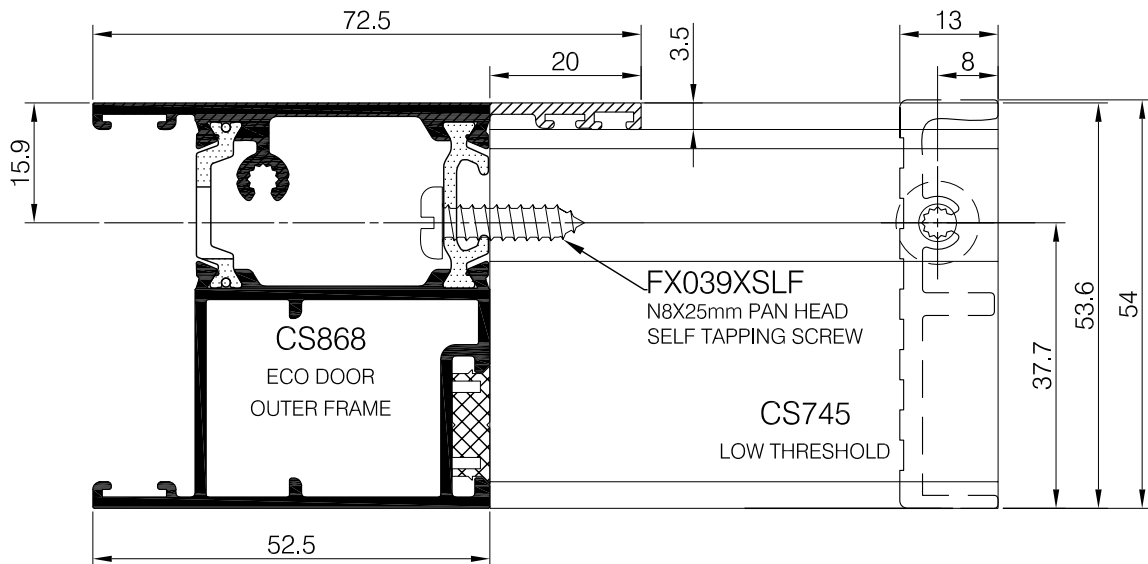
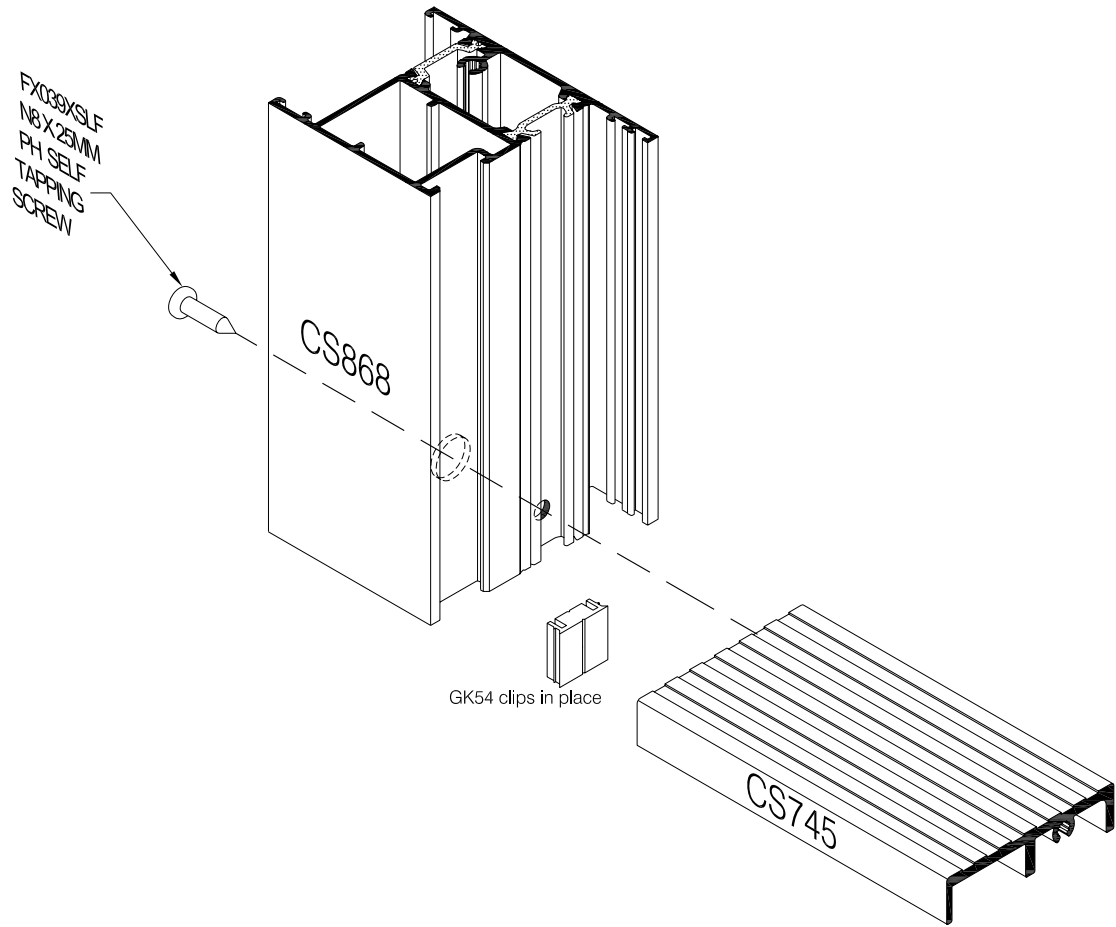
CS868
COM7 ECO T15
STATION 2

SEE PAGE 4.03
FOR DETAILS

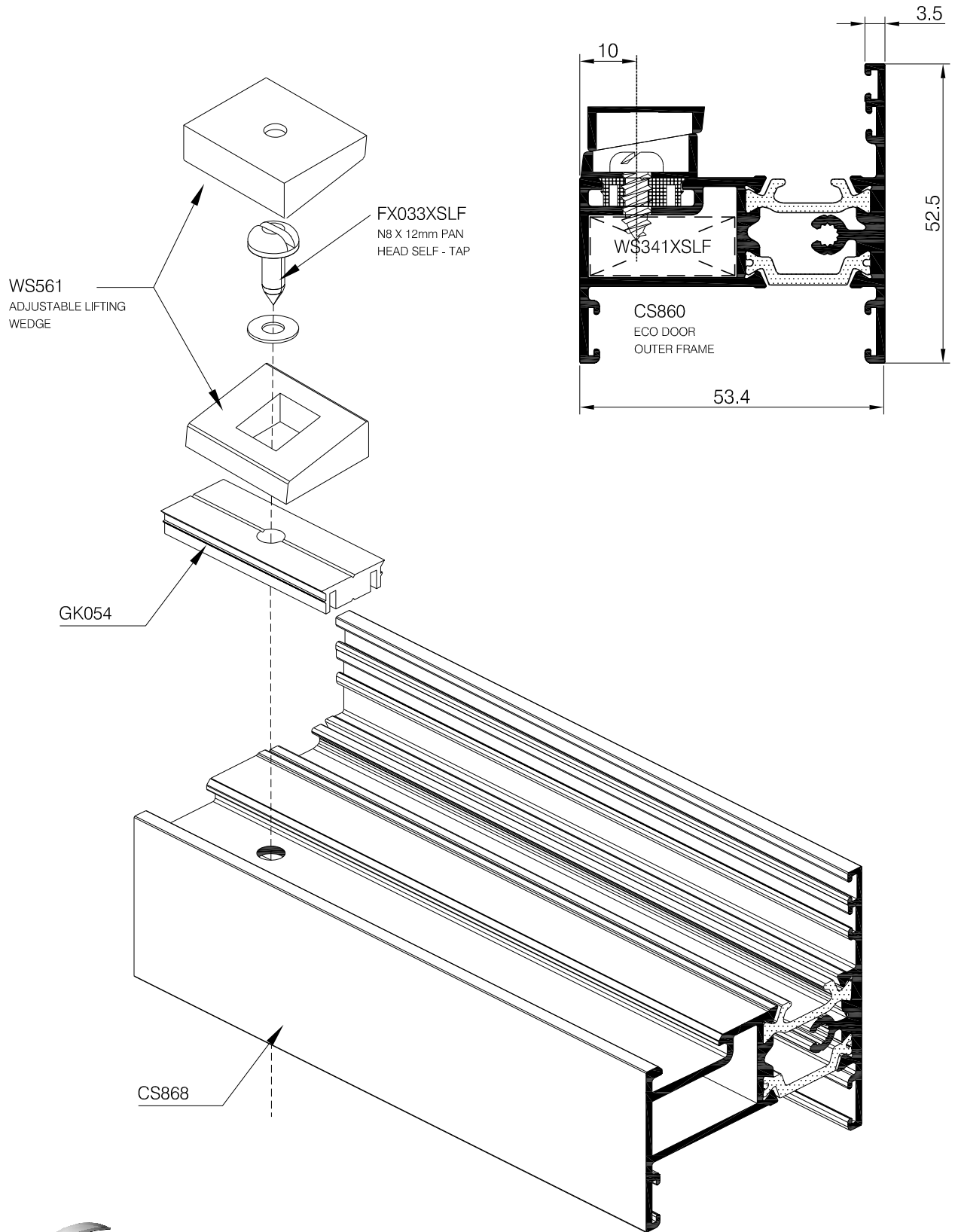
Copyright & ownership of this drawing is vested in COMAR Architectural Aluminium Systems, whose prior written consent is required for its use, reproduction or publication to any third party. All other rights reserved. Subject to modifications without prior notification.



SCALE	1:1	© A4
DATE	29/01/2010	
DRAWN	OP/CAD	
DRG. No.	C7-Pi-RB-EC 3.13	



Copyright & ownership of this drawing is vested in COMAR Architectural Aluminium Systems, whose prior written consent is required for its use, reproduction or publication to any third party. All other rights reserved. Subject to modifications without prior notification



Copyright & ownership of this drawing is vested in COMAR Architectural Aluminium Systems, whose prior written consent is required for its use, reproduction or publication to any third party. All other rights reserved. Subject to modifications without prior notification.

comar7Pi

TITLE **POLYAMIDE INSULATED ECO DOORS
THERMALLY EFFICIENT ECO DOOR SYSTEM**

SHEET No.
ECO 3.14.2

SUB TITLE
INTENTIONALLY BLANK



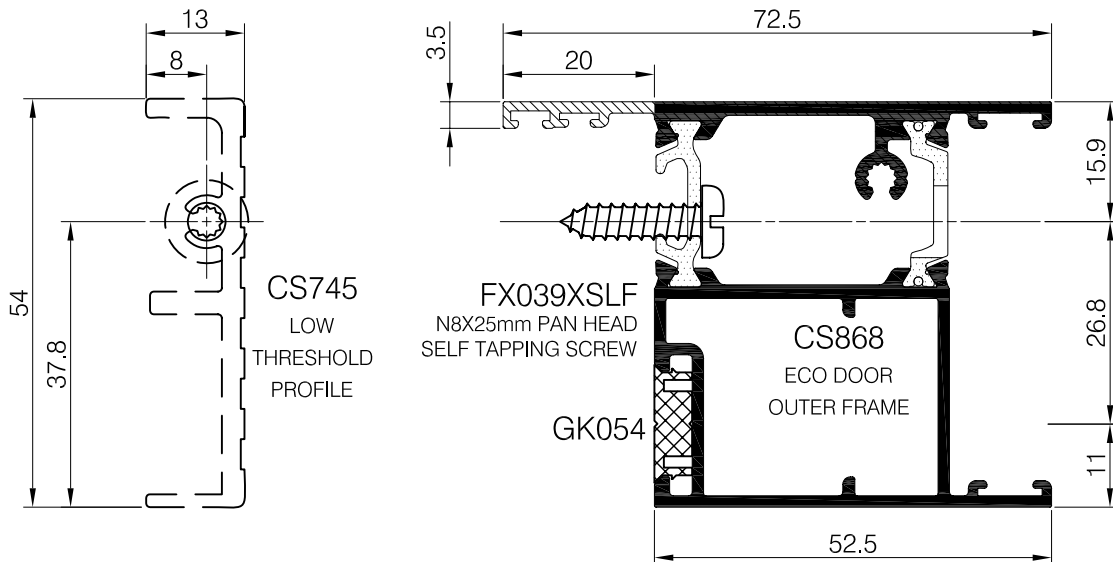
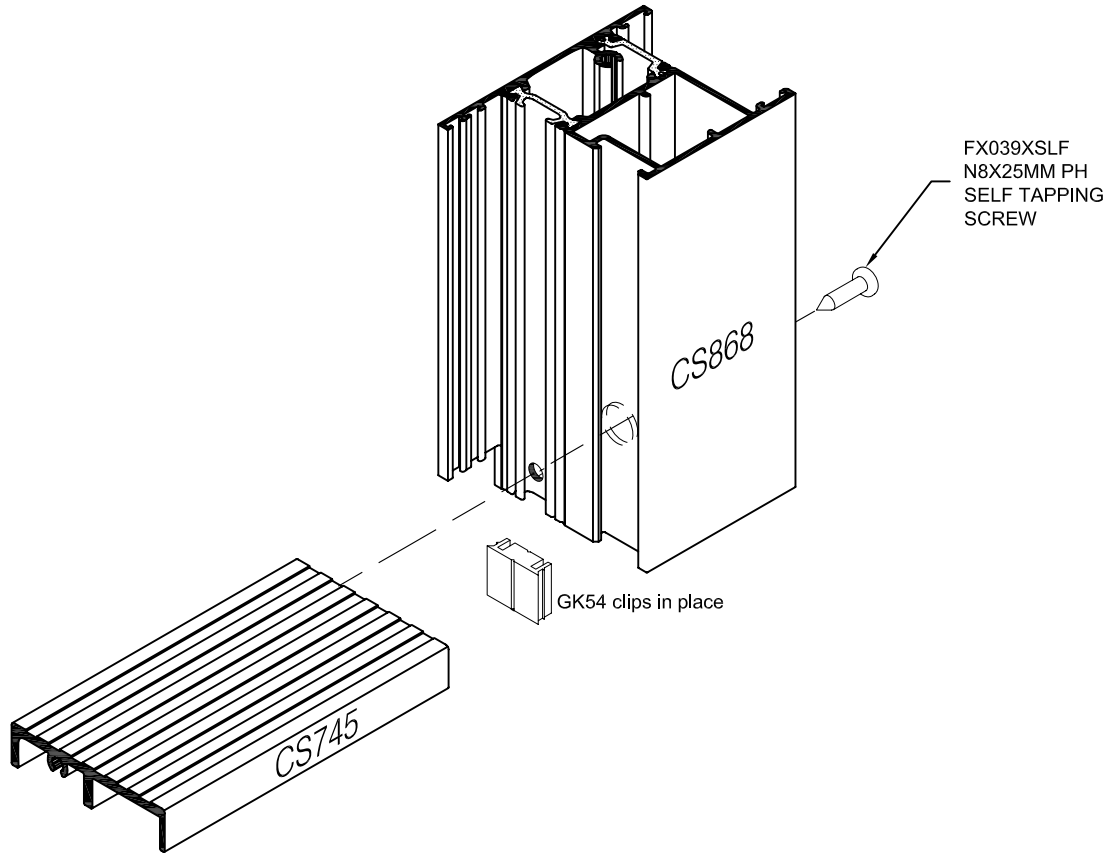
comar
ARCHITECTURAL ALUMINIUM SYSTEMS



Copyright & ownership of this drawing is vested in COMAR Architectural Aluminium Systems, whose prior written consent is required for its use, reproduction or publication to any third party. All other rights reserved. Subject to modifications without prior notification

THE PARKSIDE GROUP LTD
UNIT 5 ° THE WILLOW CENTRE
17 WILLOW LANE ° MITCHAM
SURREY ° CR4 4NX
Tel: 020-8685 9685 Fax: 020-8687 1142
Email: technical@parksidegrp.co.uk
Web Site: <http://www.comar-alu.co.uk>

SCALE	NTS	@ A4
DATE	15/05/2017	
DRAWN	KD	
DRG. No.	C7Pi-RB-EC 3.14.2R0	



Copyright & ownership of this drawing is vested in COMAR Architectural Aluminium Systems, whose prior written consent is required for its use, reproduction or publication to any third party. All other rights reserved. Subject to modifications without prior notification

- 1) SEAL INSIDE CAVITY AND MATING SURFACES
- 2) INSERT CLEATS AND CHEVRONS AS SHOWN
- 3) ASSEMBLE AND TIGHTEN

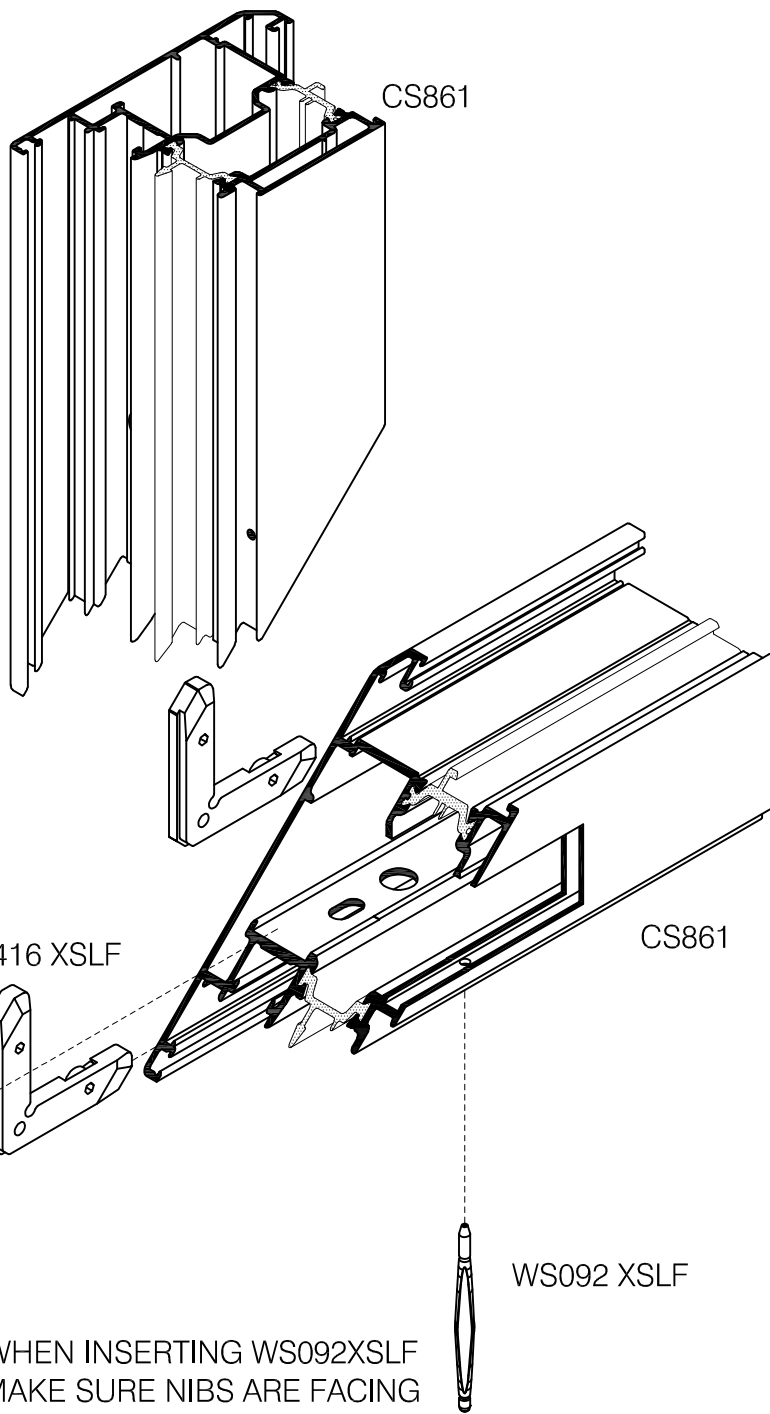
CS861

COM7 ECO T15 STATION 3

&

COM7 ECO T15 STATION 5

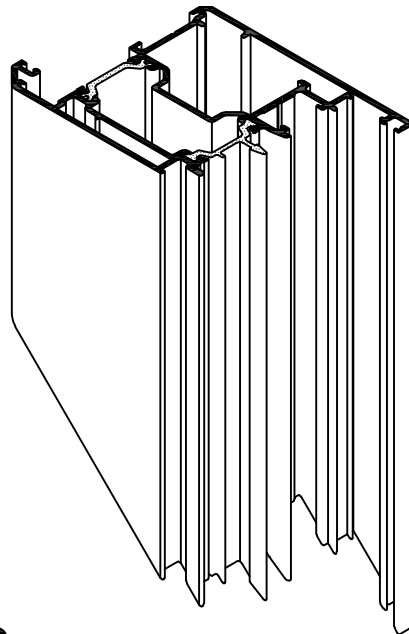
SEE PAGE 4.04 FOR DETAILS



WHEN INSERTING WS092XSLF
MAKE SURE NIBS ARE FACING
AWAY FROM ALUMINIUM FACE
SO AS NOT TO DAMAGE PROFILE.



SCALE	1:1	@ A4
DATE	29/01/2010	
DRAWN	OP/CAD	
DRG. No.	C7-Pi-RB-EC 3.16	



CS863

- 1) SEAL INSIDE CAVITY AND MATING SURFACES
- 2) INSERT CLEATS AND CHEVRONS AS SHOWN
- 3) ASSEMBLE AND TIGHTEN

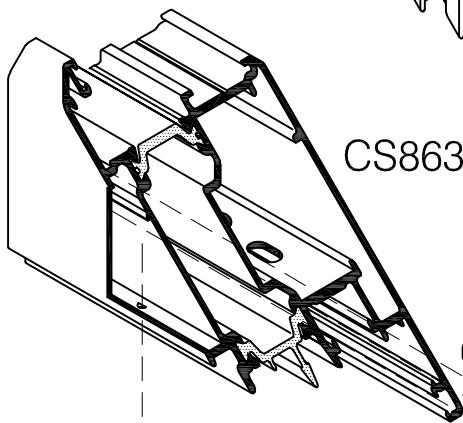
CS863

COM7 ECO T15 STATION 3

&

COM7 ECO T15 STATION 5

SEE PAGE 4.05 FOR DETAILS



CS863

WS416 XSLF

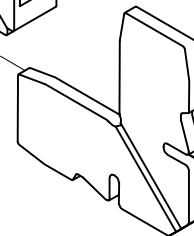
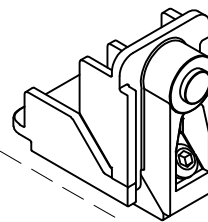
WS416 XSLF

WS395 XSLF



WS092 XSLF

WHEN INSERTING WS092XSLF
MAKE SURE NIBS ARE FACING
AWAY FROM ALUMINIUM FACE
SO AS NOT TO DAMAGE PROFILE.



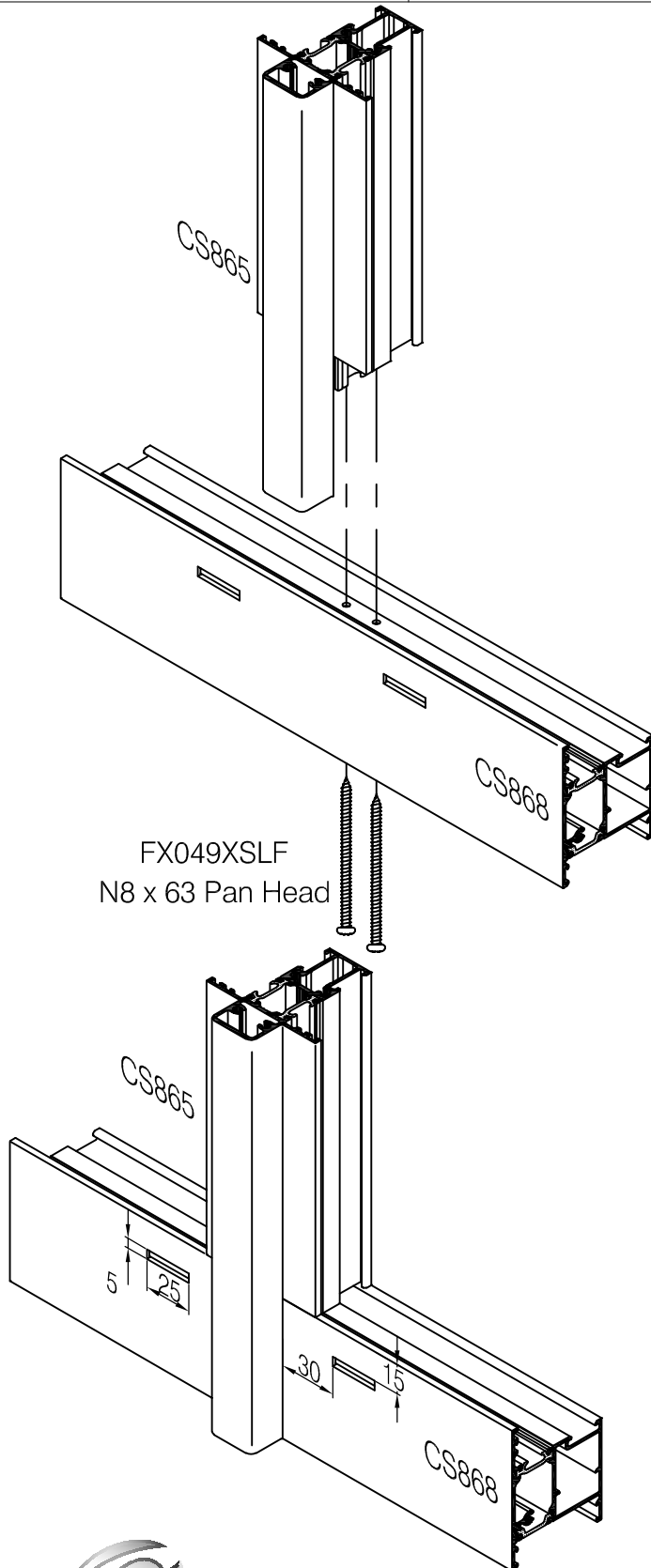
WS0172 XSLF

WS092 XSLF

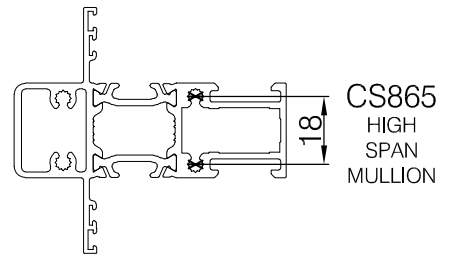
Copyright & ownership of this drawing is vested in COMAR Architectural Aluminium Systems, whose prior written consent is required for its use, reproduction or publication to any third party. All other rights reserved. Subject to modifications without prior notification



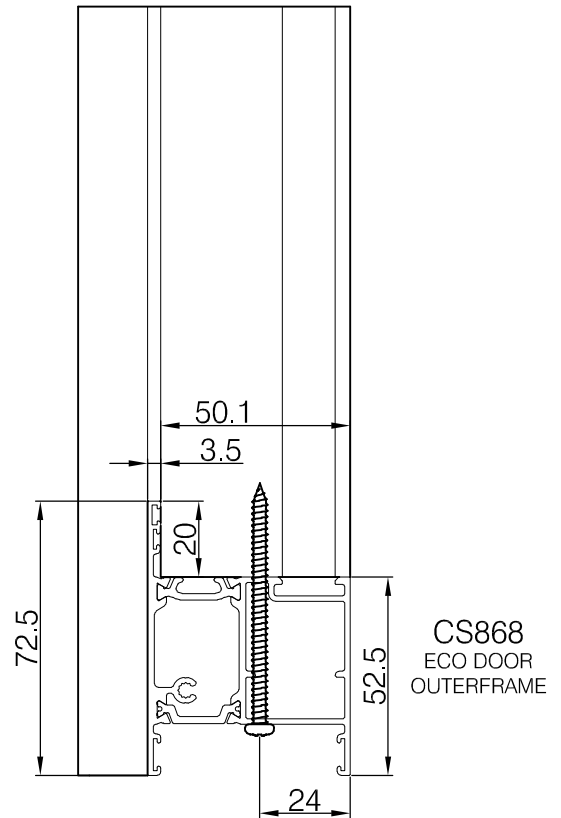
SCALE	1: 2	@ A4
DATE	29/01/2010	
DRAWN	OP/CAD	
DRG. No.	C7-Pi-RB-EC 3.17	



SEAL TRANSOM END PRIOR TO ASSEMBLY



CS865
HIGH
SPAN
MULLION



CS868
ECO DOOR
OUTERFRAME

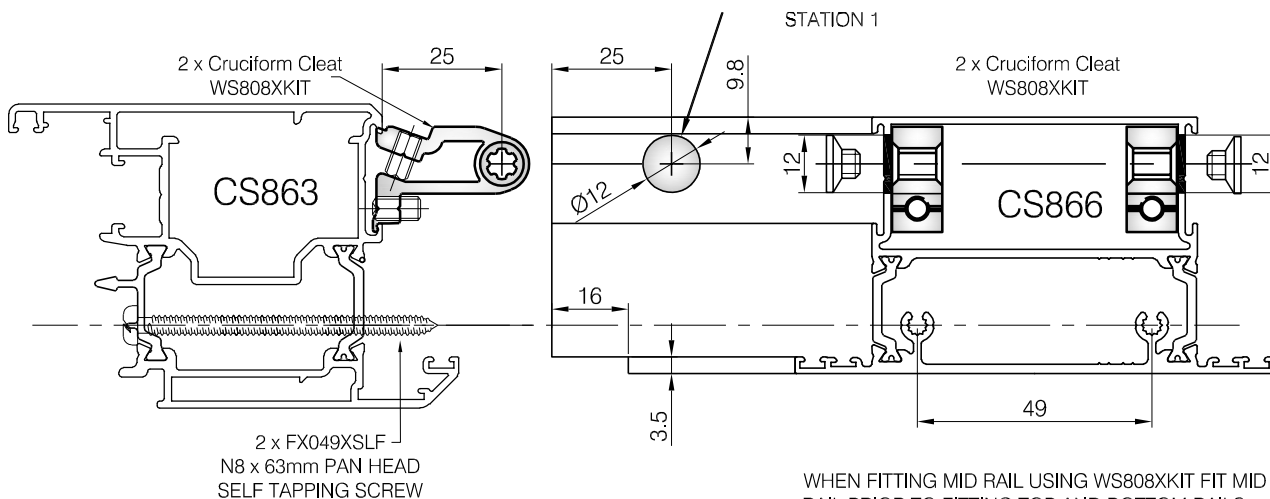
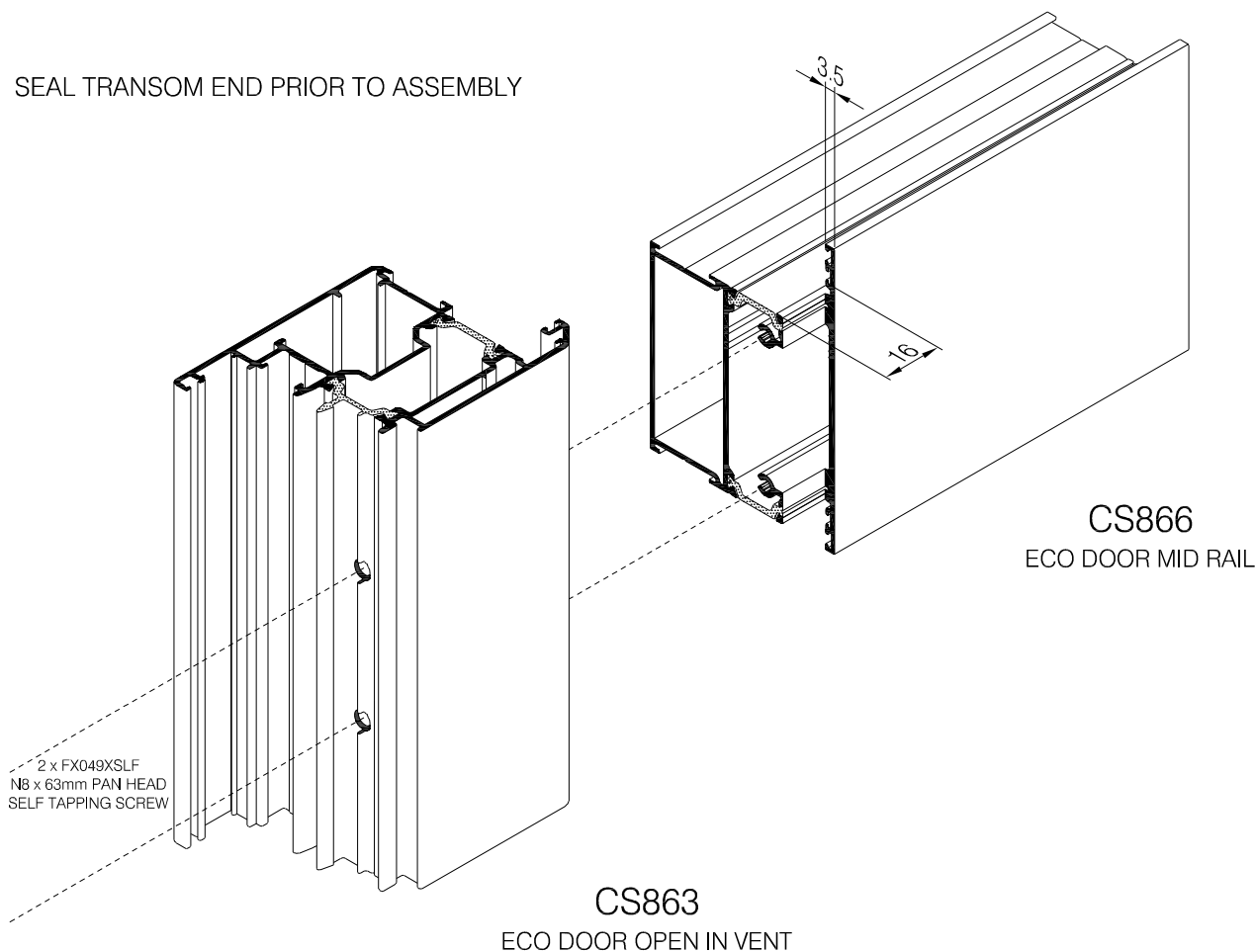
SCALE: 1:2

Copyright & ownership of this drawing is vested in COMAR Architectural Aluminium Systems, whose prior written consent is required for its use, reproduction or publication to any third party. All other rights reserved. Subject to modifications without prior notification



SCALE	N.T.S	© A4
DATE	29/01/2010	
DRAWN	OP/CAD	
DRG. No.	C7-Pi-RB-EC 3.18	

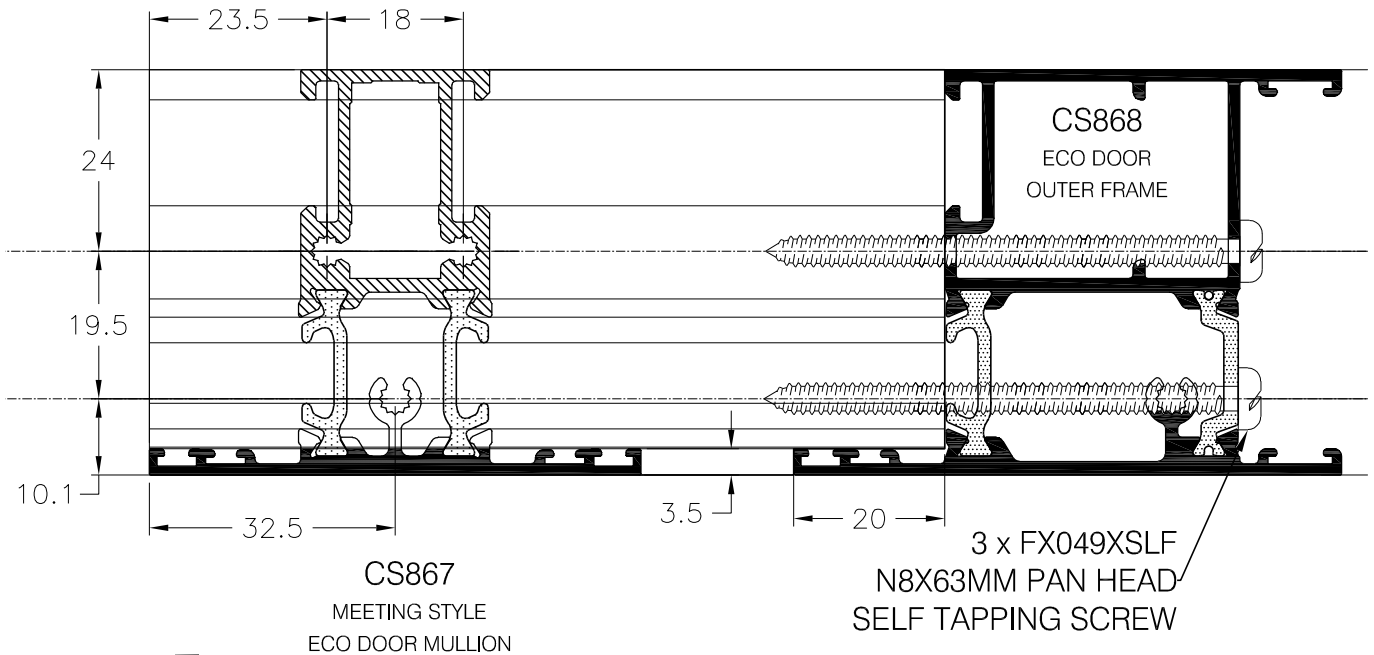
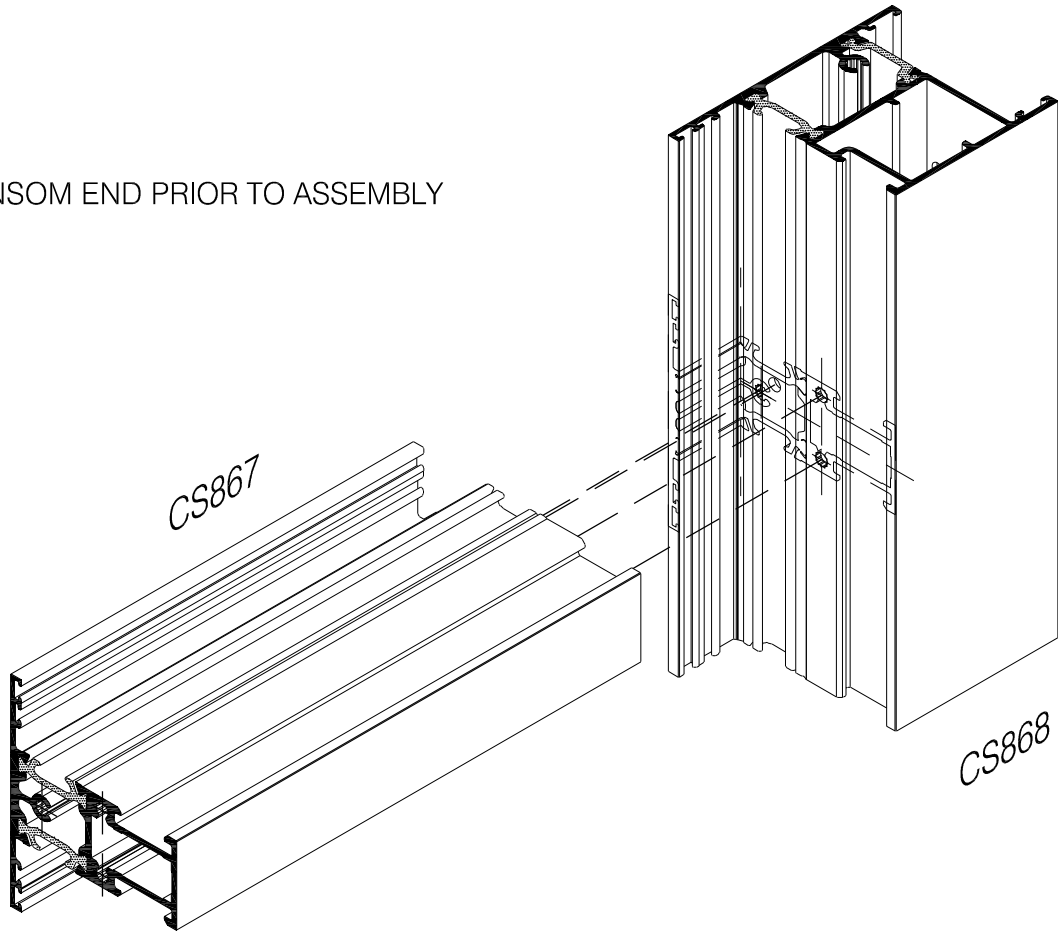
SEAL TRANSOM END PRIOR TO ASSEMBLY



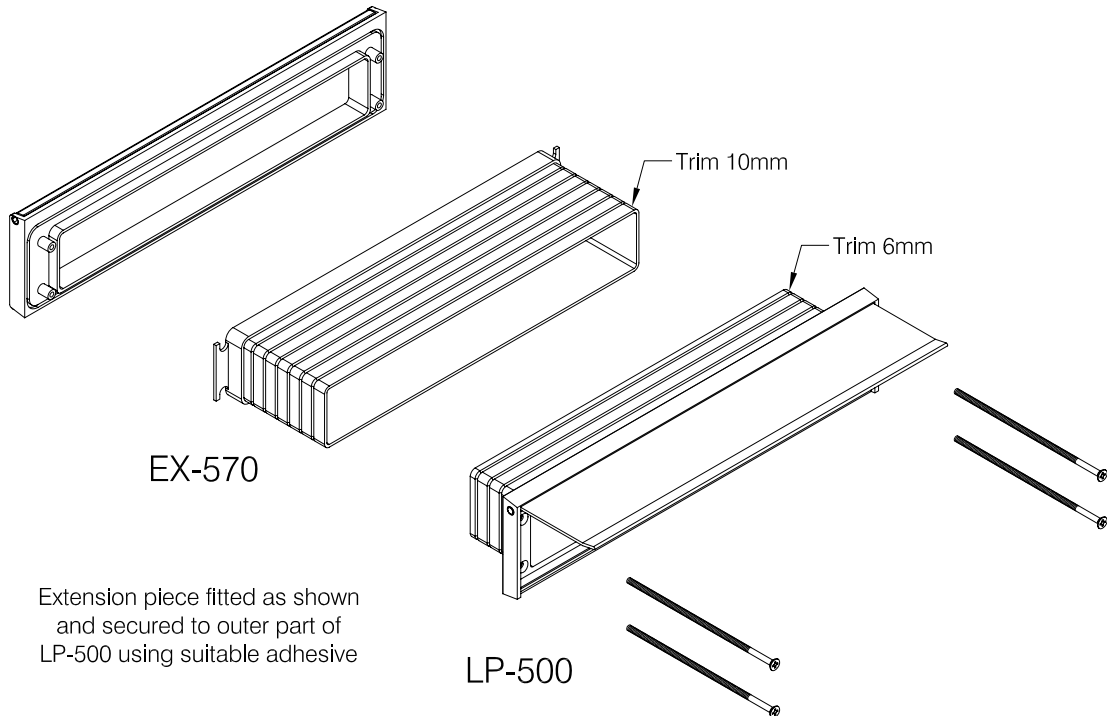
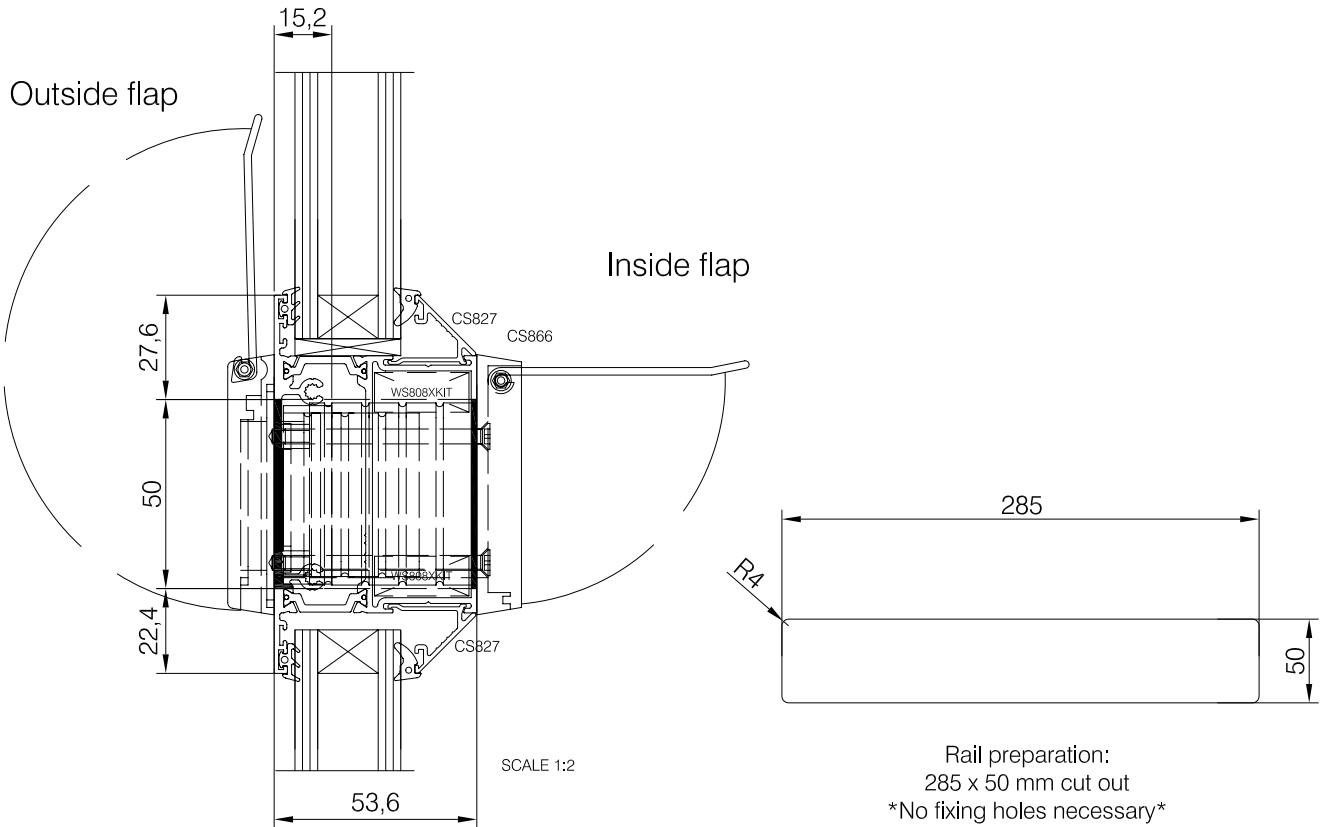
Copyright & ownership of this drawing is vested in COMAR Architectural Aluminium Systems, whose prior written consent is required for its use, reproduction or publication to any third party. All other rights reserved. Subject to modifications without prior notification

SCALE	NTS	@ A4
DATE	29/01/2010	
DRAWN	OP /CAD	
DRG. No.	C7-Pi-RB-EC 3.19	

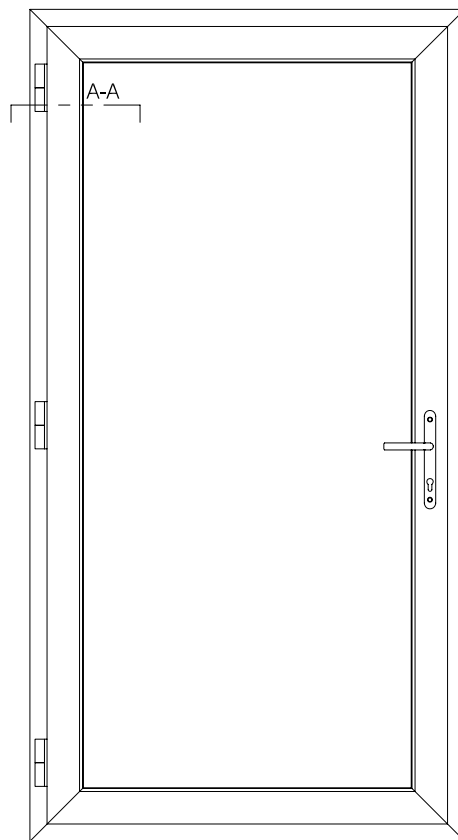
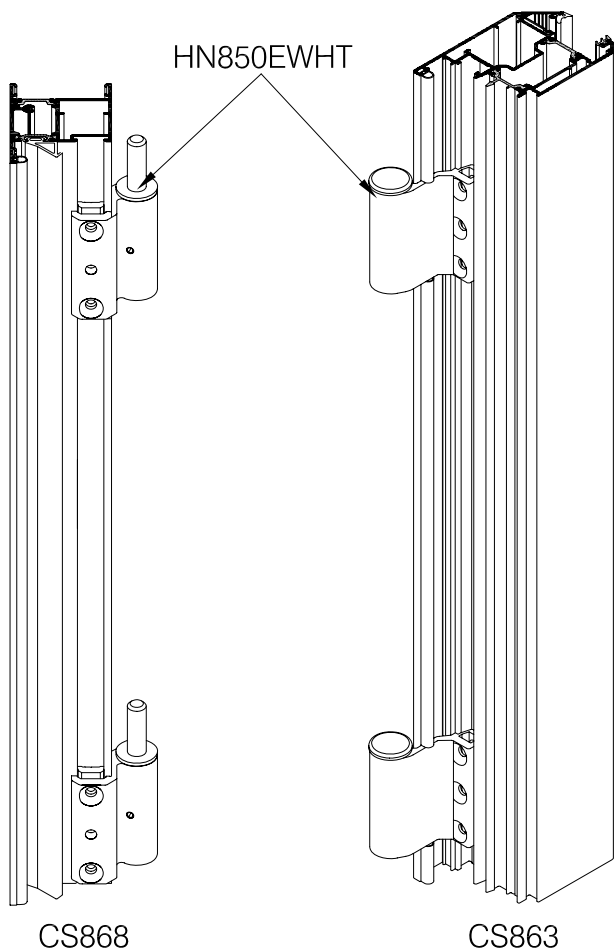
SEAL TRANSOM END PRIOR TO ASSEMBLY



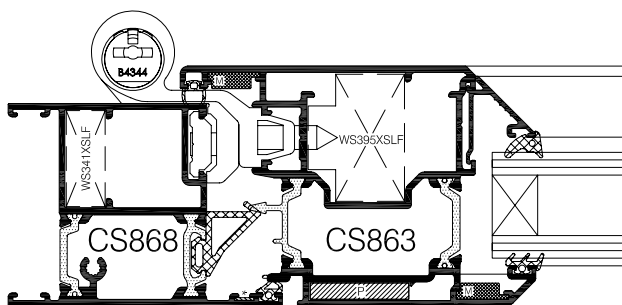
Copyright & ownership of this drawing is vested in COMAR Architectural Aluminium Systems, whose prior written consent is required for its use, reproduction or publication to any third party. All other rights reserved. Subject to modifications without prior notification



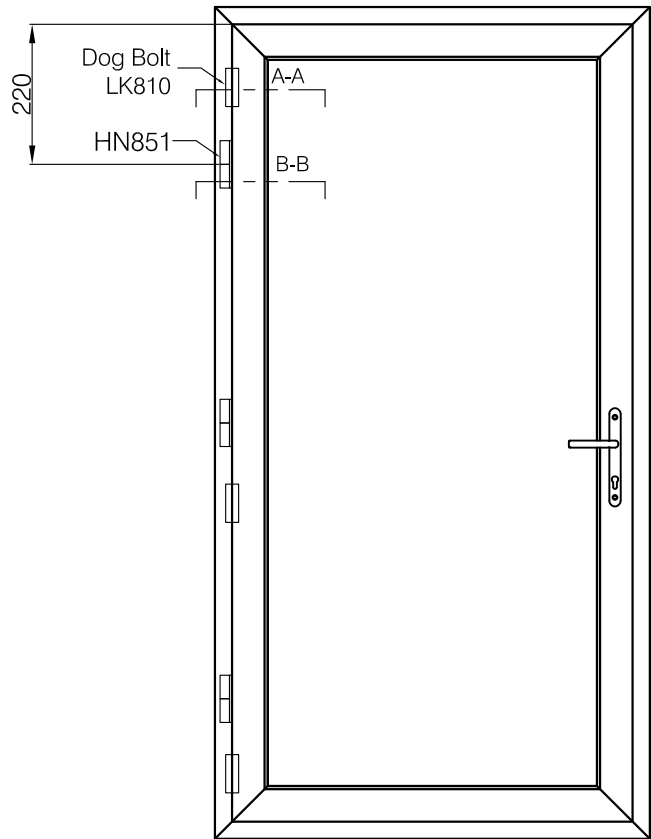
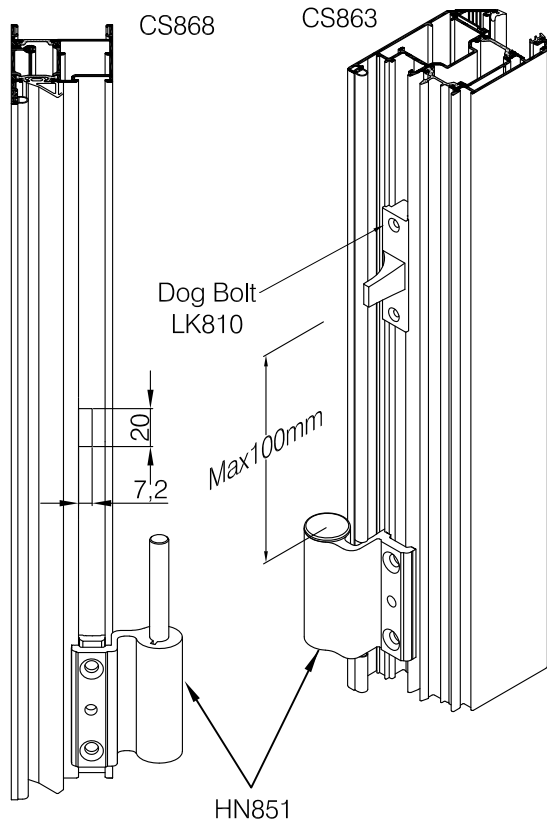
Copyright & ownership of this drawing is vested in COMAR Architectural Aluminium Systems, whose prior written consent is required for its use, reproduction or publication to any third party. All other rights reserved. Subject to modifications without prior notification



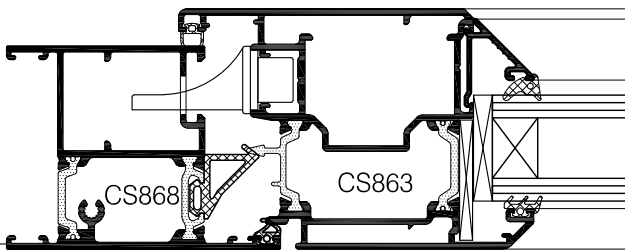
VIEW ON A-A



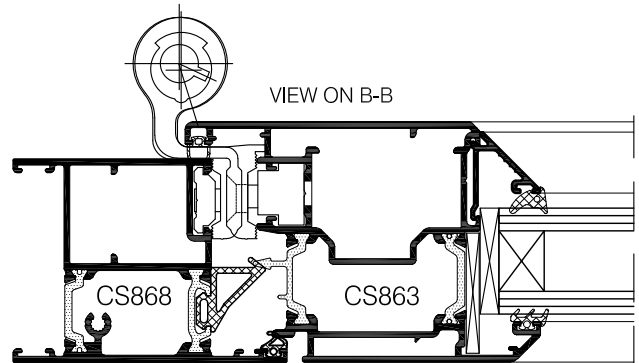
Copyright & ownership of this drawing is vested in COMAR Architectural Aluminium Systems, whose prior written consent is required for its use, reproduction or publication to any third party. All other rights reserved. Subject to modifications without prior notification



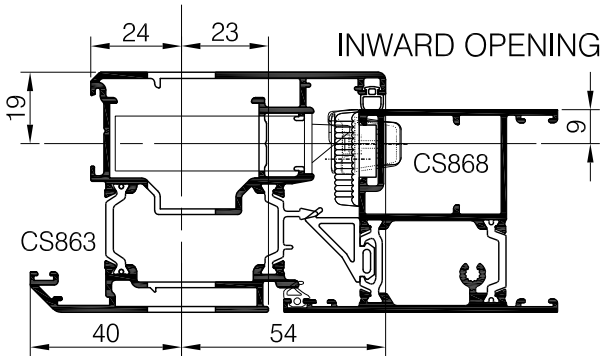
VIEW ON A-A



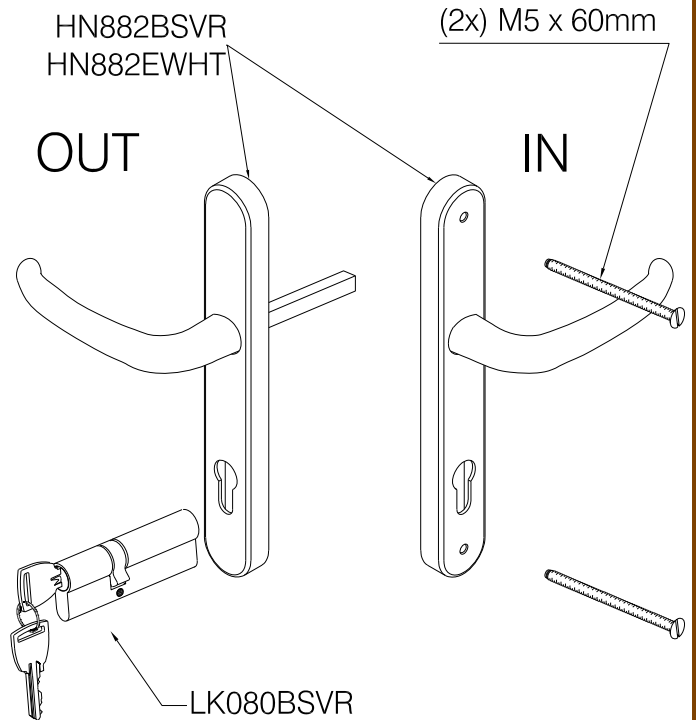
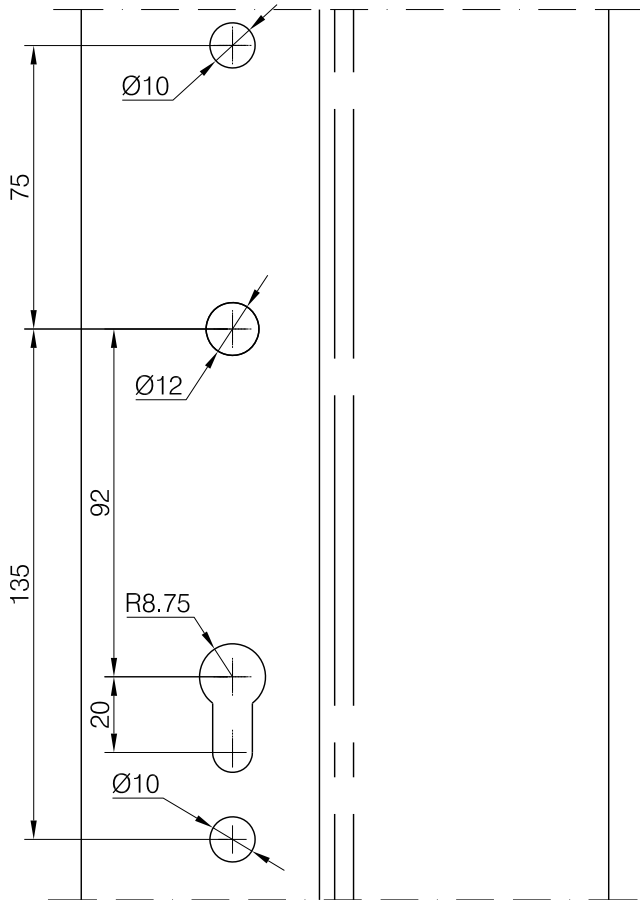
VIEW ON B-B



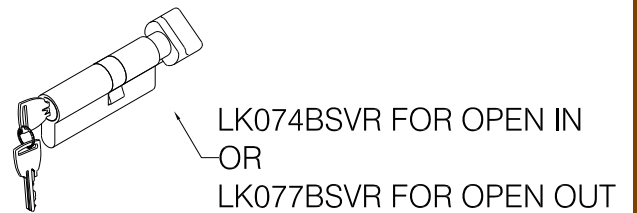
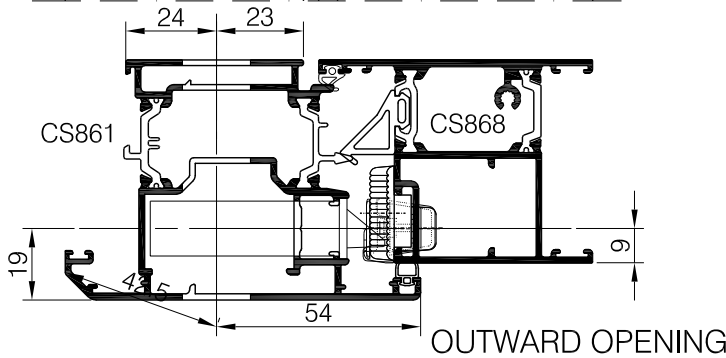
Copyright & ownership of this drawing is vested in COMAR Architectural Aluminium Systems, whose prior written consent is required for its use, reproduction or publication to any third party. All other rights reserved. Subject to modifications without prior notification



NOTE: EWHT & BSVR REFER TO THE PAINT FINISH WHITE OR SILVER RESPECTIVELY

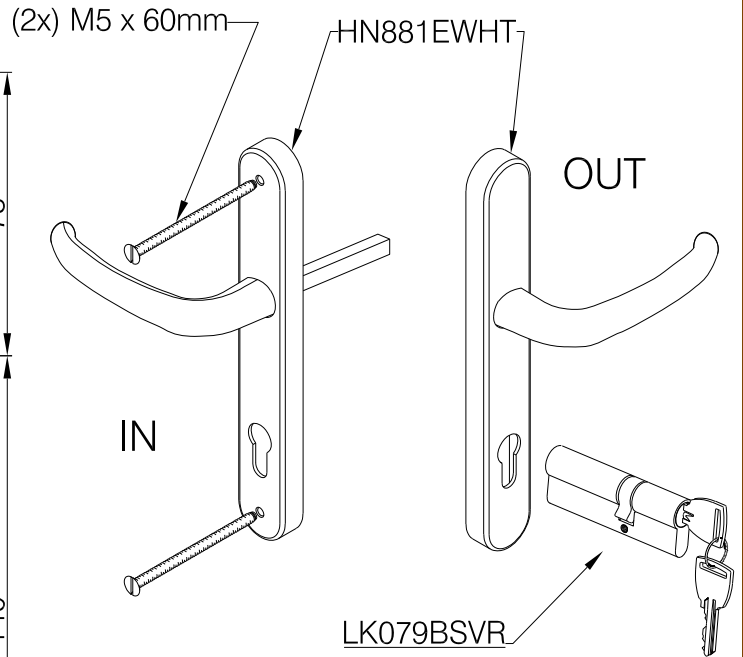
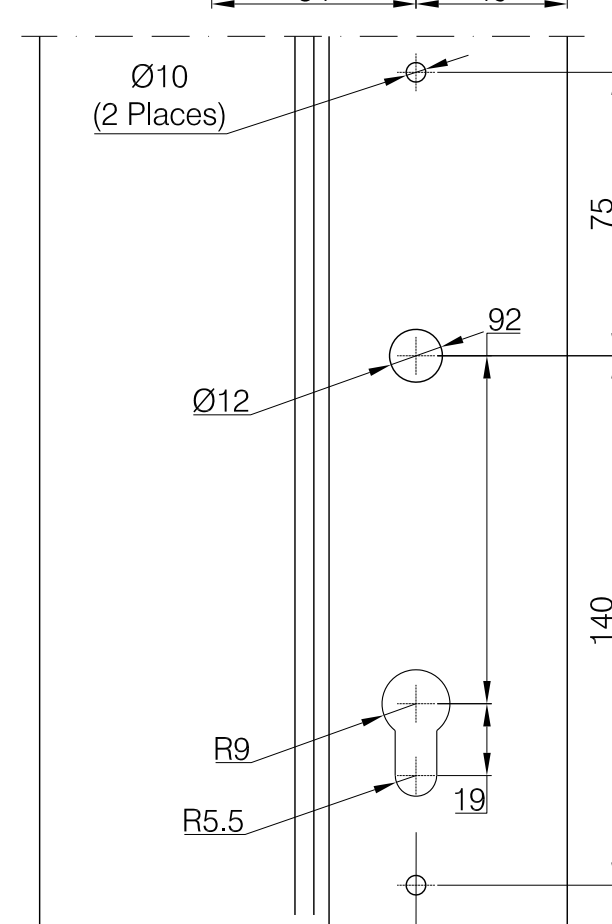
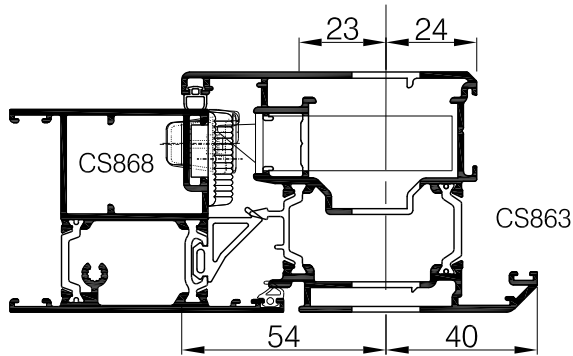


NOTE: ALSO THUMBTURN CYLINDER COULD BE USED

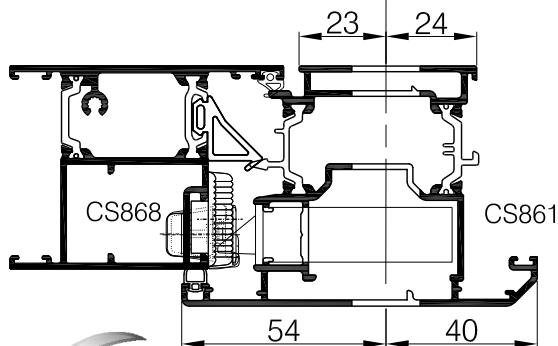


Copyright & ownership of this drawing is vested in COMAR Architectural Aluminium Systems, whose prior written consent is required for its use, reproduction or publication to any third party. All other rights reserved. Subject to modifications without prior notification

SCALE	NTS	@ A4
DATE	06/08/2019	
DRAWN	DGN/NS/BB	
DRG. No.	C7-Pi-RB-EC 3.23R2	

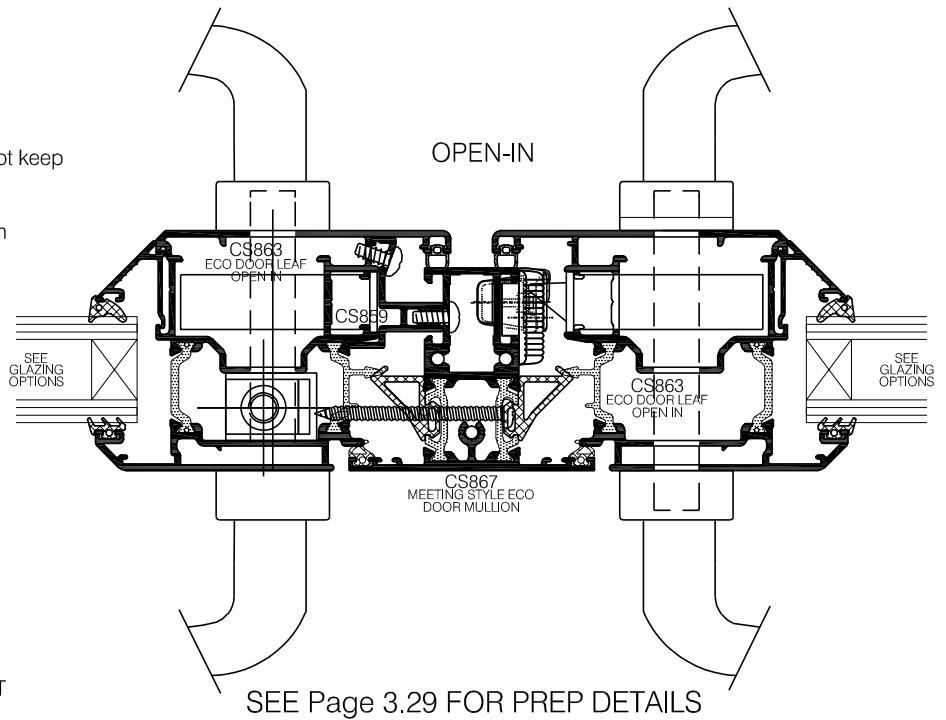
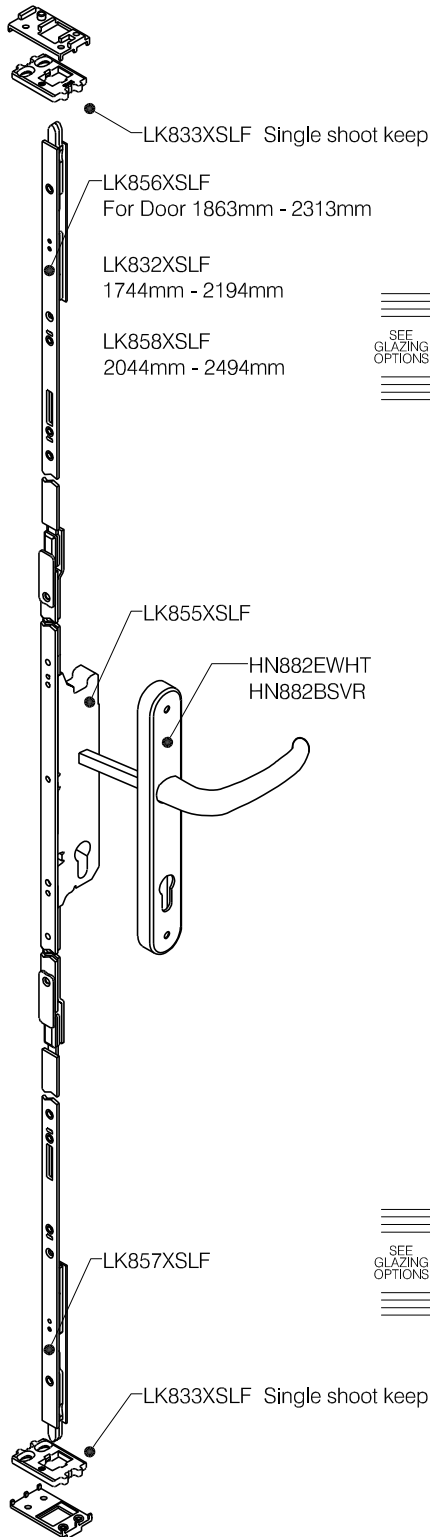


NOTE: EWHT REFER TO THE PAINT FINISH WHITE OR SILVER RESPECTIVELY

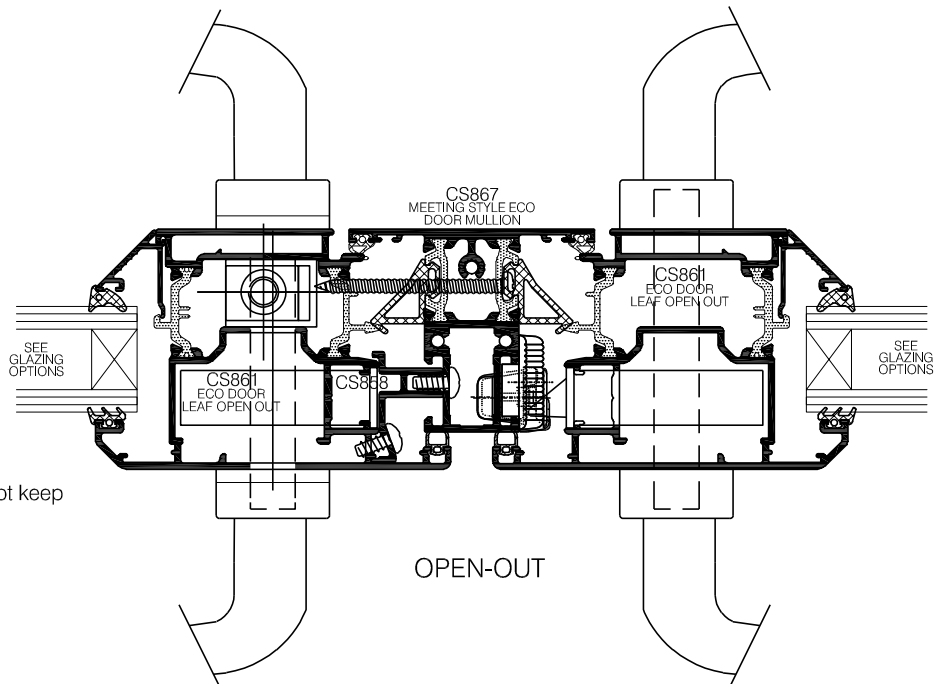


Copyright & ownership of this drawing is vested in COMAR Architectural Aluminium Systems, whose prior written consent is required for its use, reproduction or publication to any third party. All other rights reserved. Subject to modifications without prior notification

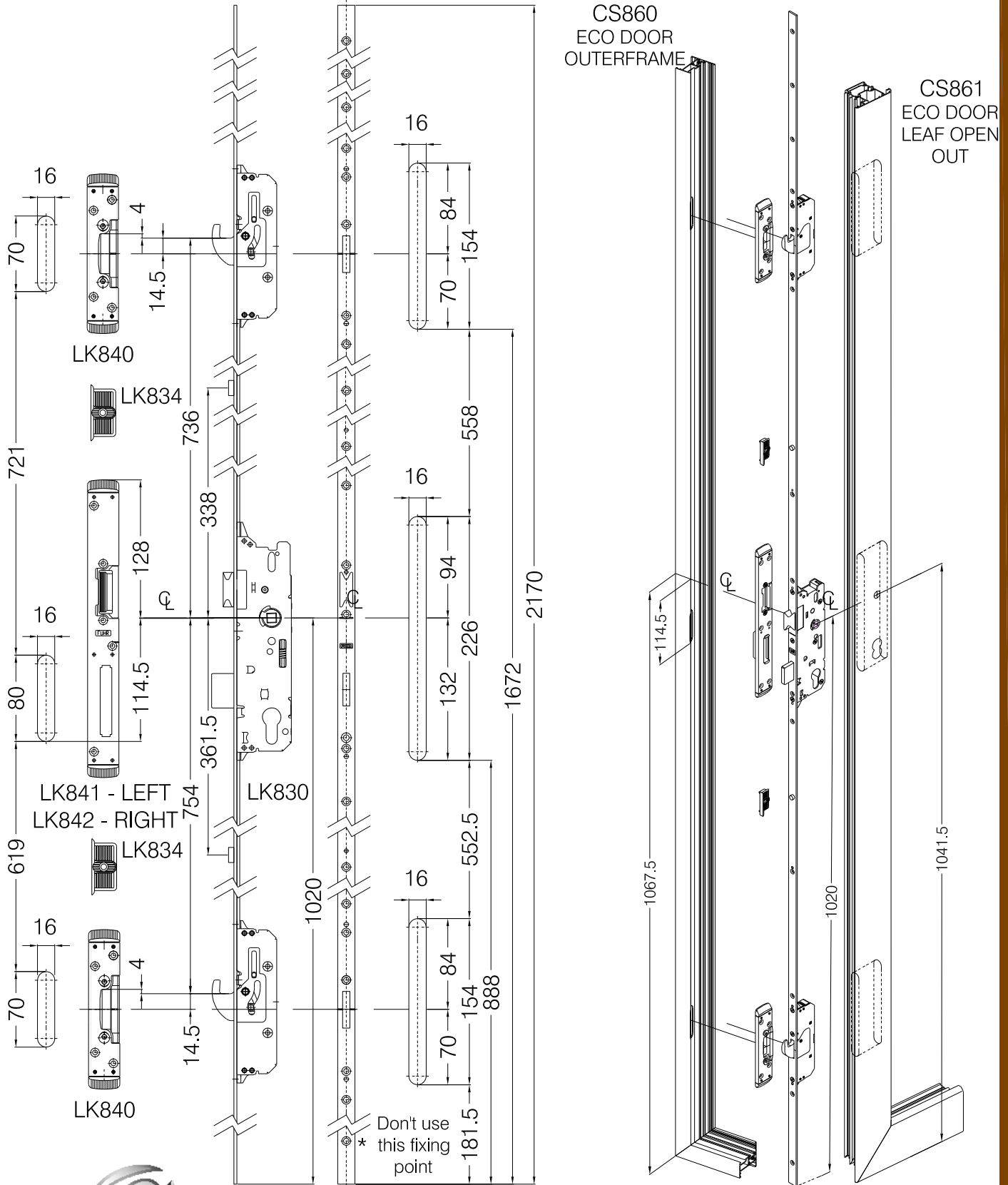
SCALE	NTS	© A4
DATE	06/08/2019	
DRAWN	0P/BB	
DRG. No.	C7Pi-RB-EC 3.24 R3	



NOTE: EWHT & BSVR REFER TO THE PAINT FINISH
WHITE OR SILVER RESPECTIVELY

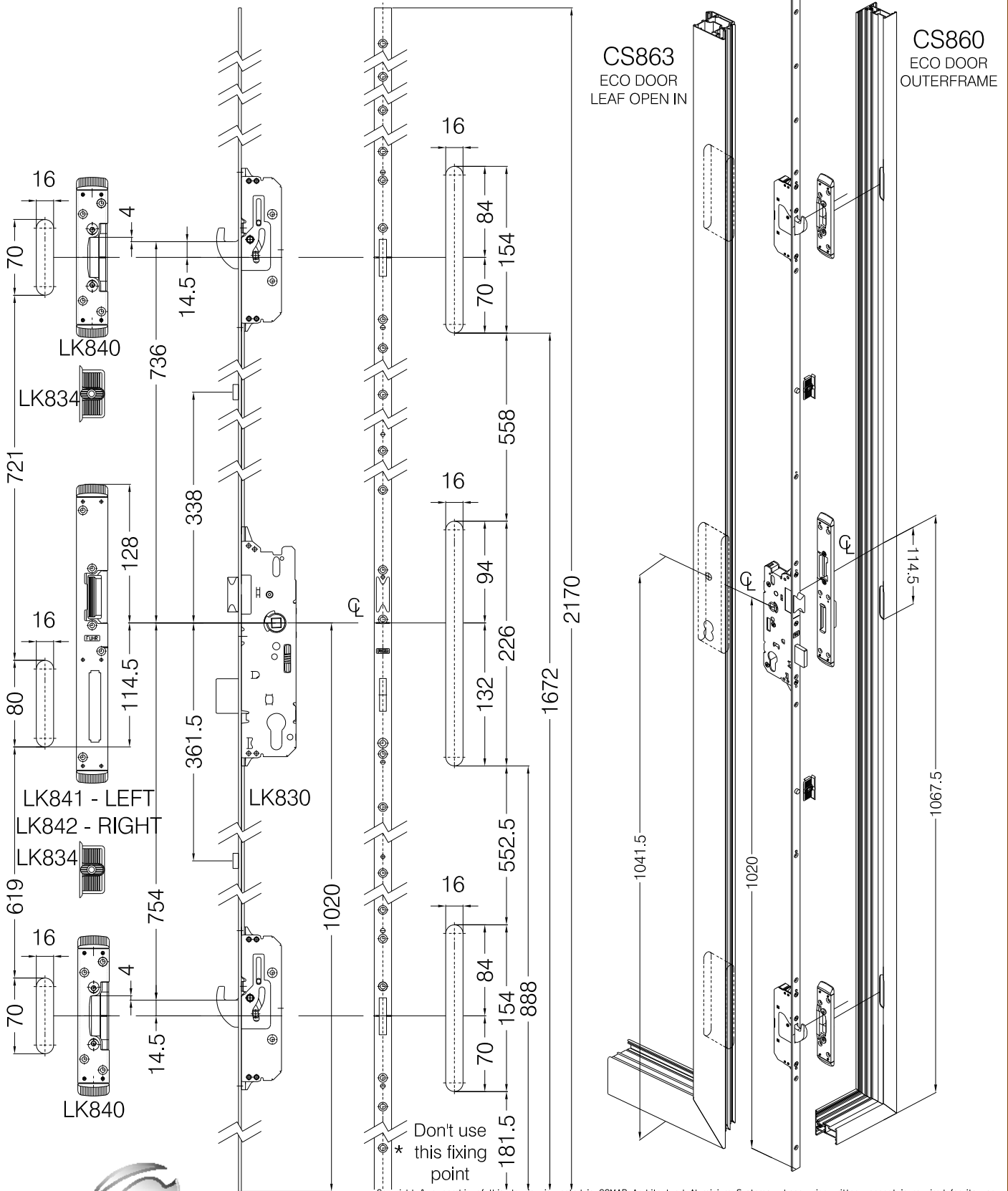


Copyright & ownership of this drawing is vested in COMAR Architectural Aluminium Systems, whose prior written consent is required for its use, reproduction or publication to any third party. All other rights reserved. Subject to modifications without prior notification



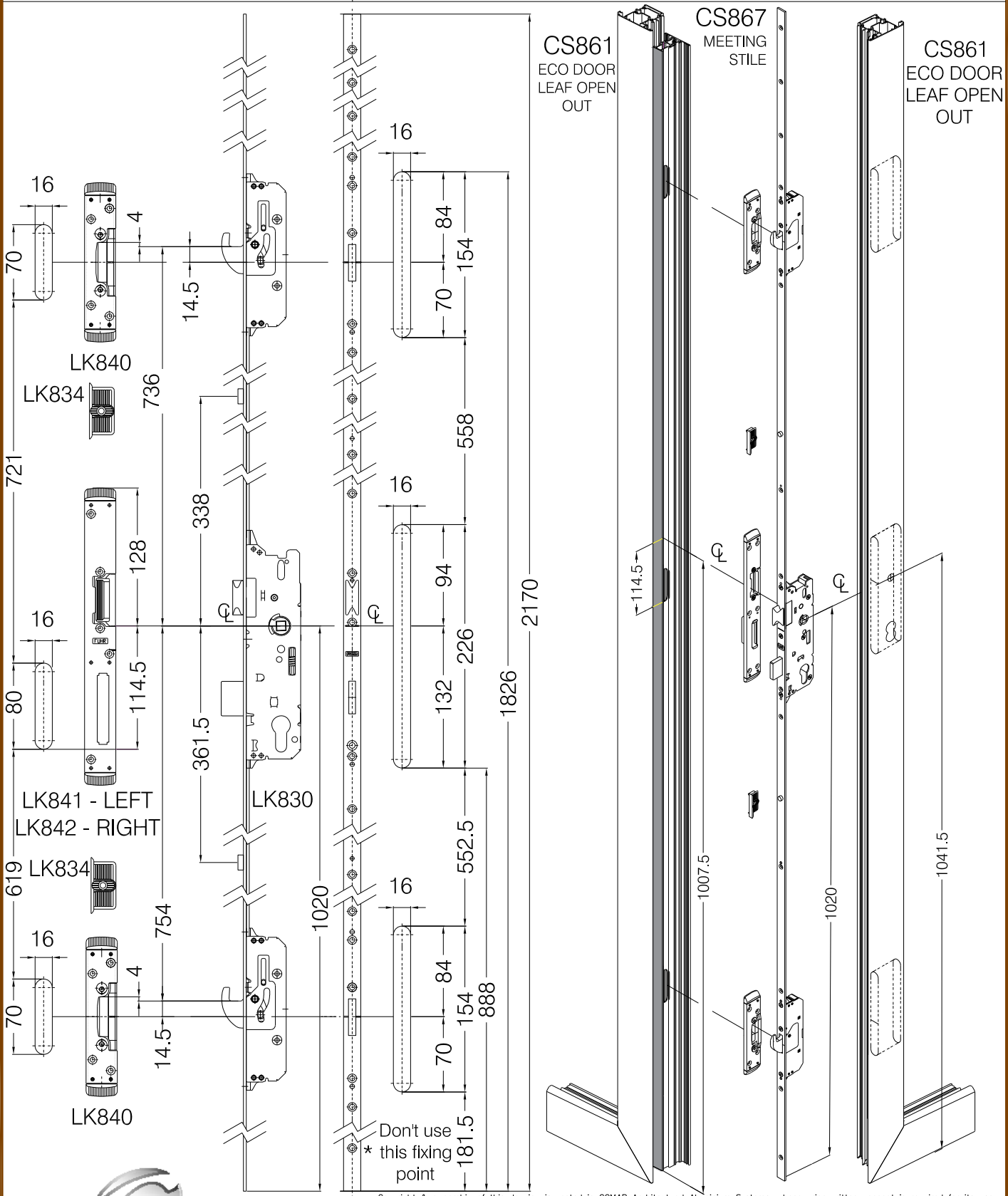
Copyright & ownership of this drawing is vested in COMAR Architectural Aluminium Systems, whose prior written consent is required for its use, reproduction or publication to any third party. All other rights reserved. Subject to modifications without prior notification

SCALE	N.T.S	© A4
DATE	18/01/2018	
DRAWN	DGN/AMR/NS	
DRG. No.	C7-Pi-RB-EC 3.26R2	



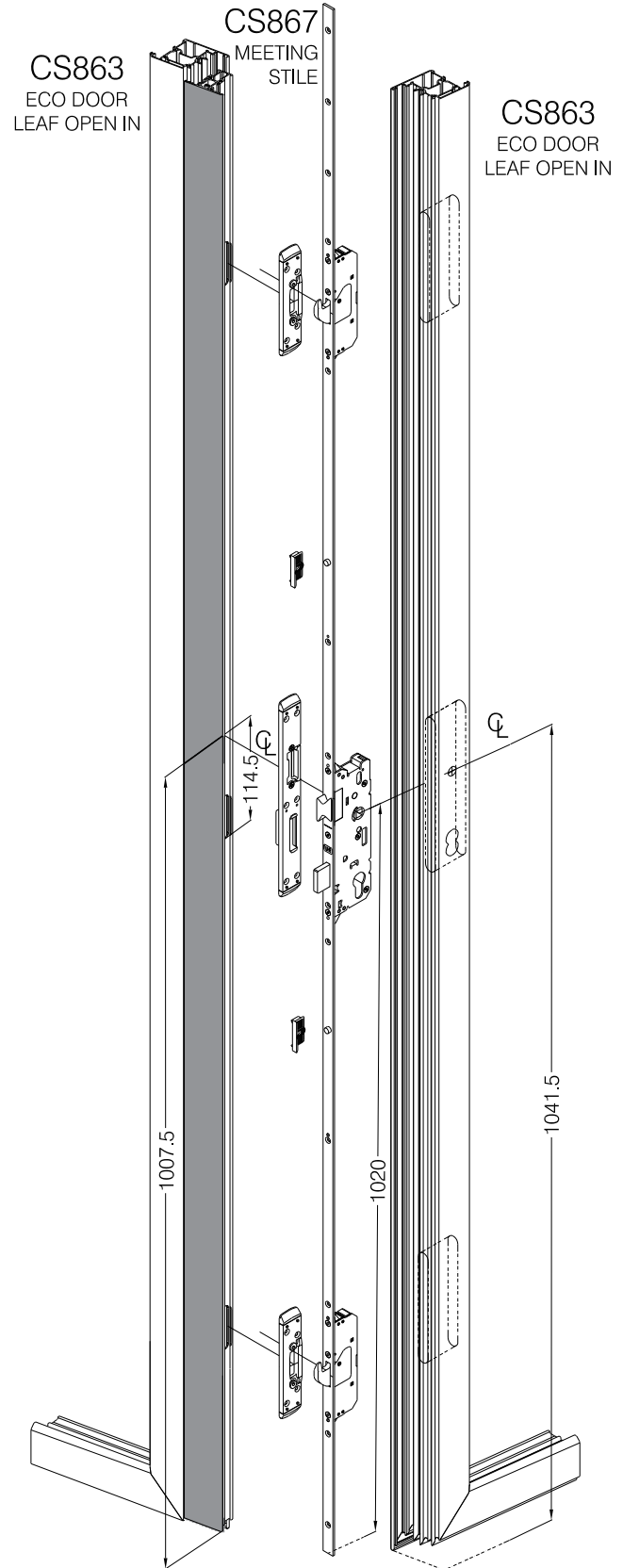
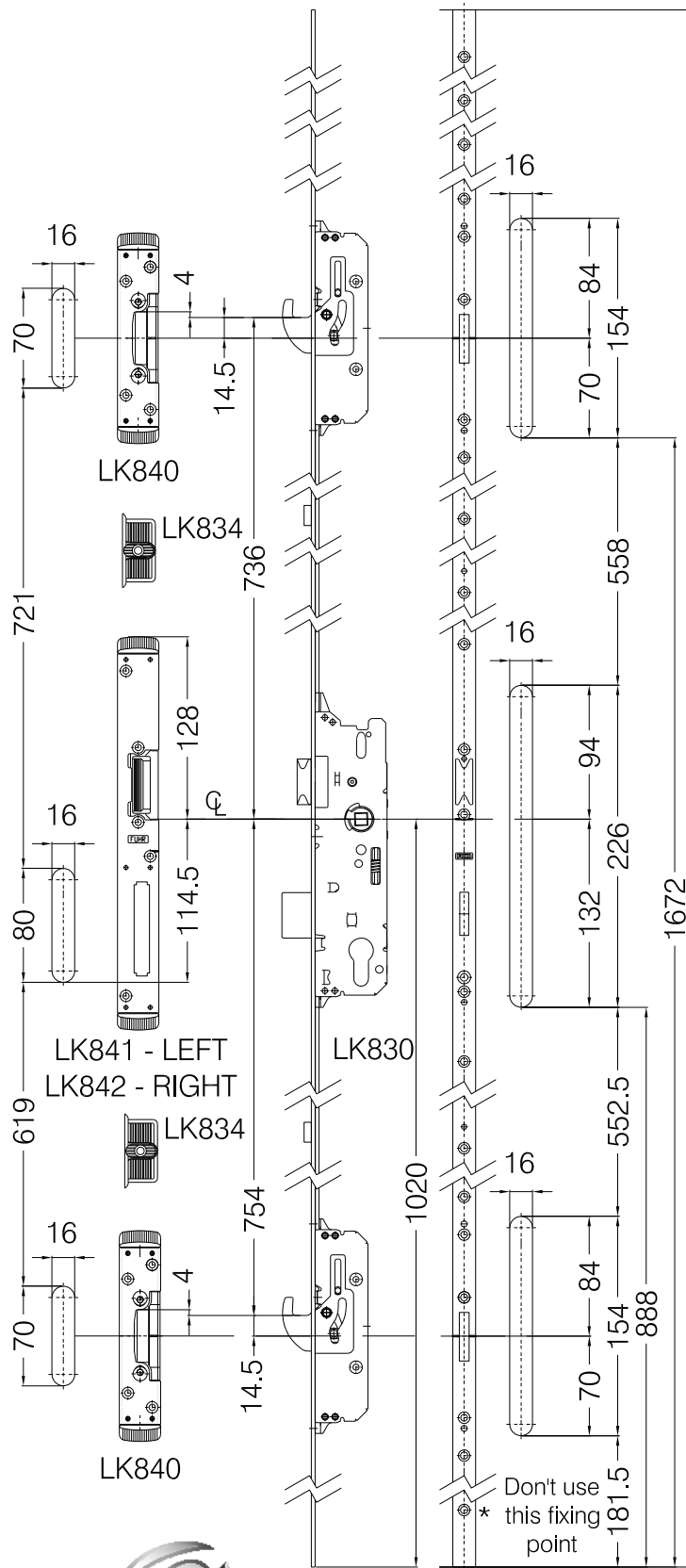
Copyright & ownership of this drawing is vested in COMAR Architectural Aluminium Systems, whose prior written consent is required for its use, reproduction or publication to any third party. All other rights reserved. Subject to modifications without prior notification

SCALE	NTS	@ A4
DATE	18/01/2018	
DRAWN	AMR/NS	
DRG. No.	C7-Pi-RB-EC 3.27R3	



Copyright & ownership of this drawing is vested in COMAR Architectural Aluminium Systems, whose prior written consent is required for its use, reproduction or publication to any third party. All other rights reserved. Subject to modifications without prior notification

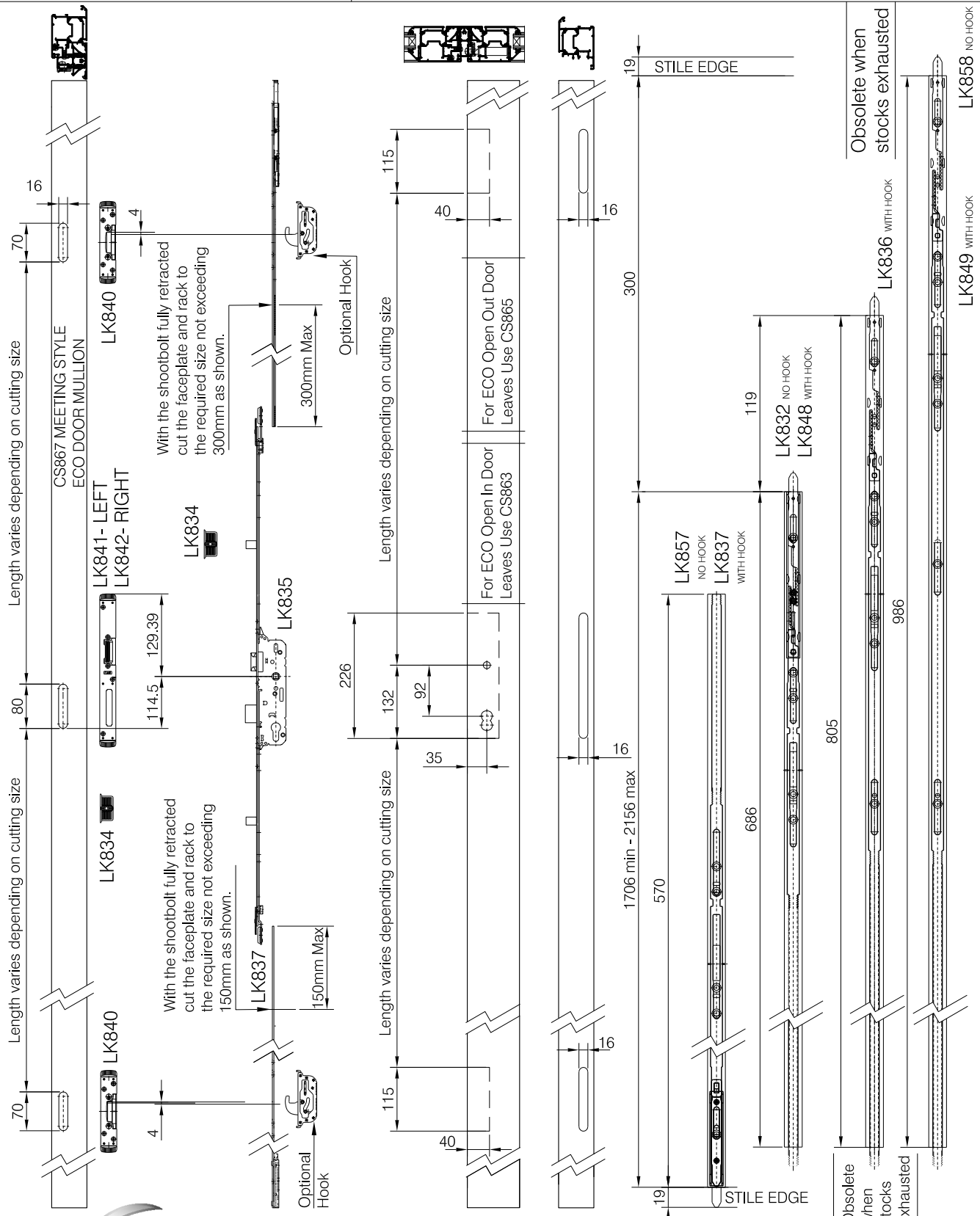
SCALE	N.T.S	@ A4
DATE	18/01/2018	
DRAWN	AMR/NS	
DRG. No.	C7-Pi-RB-EC 3.28R3	



Copyright & ownership of this drawing is vested in COMAR Architectural Aluminium Systems, whose prior written consent is required for its use, reproduction or publication to any third party. All other rights reserved. Subject to modifications without prior notification



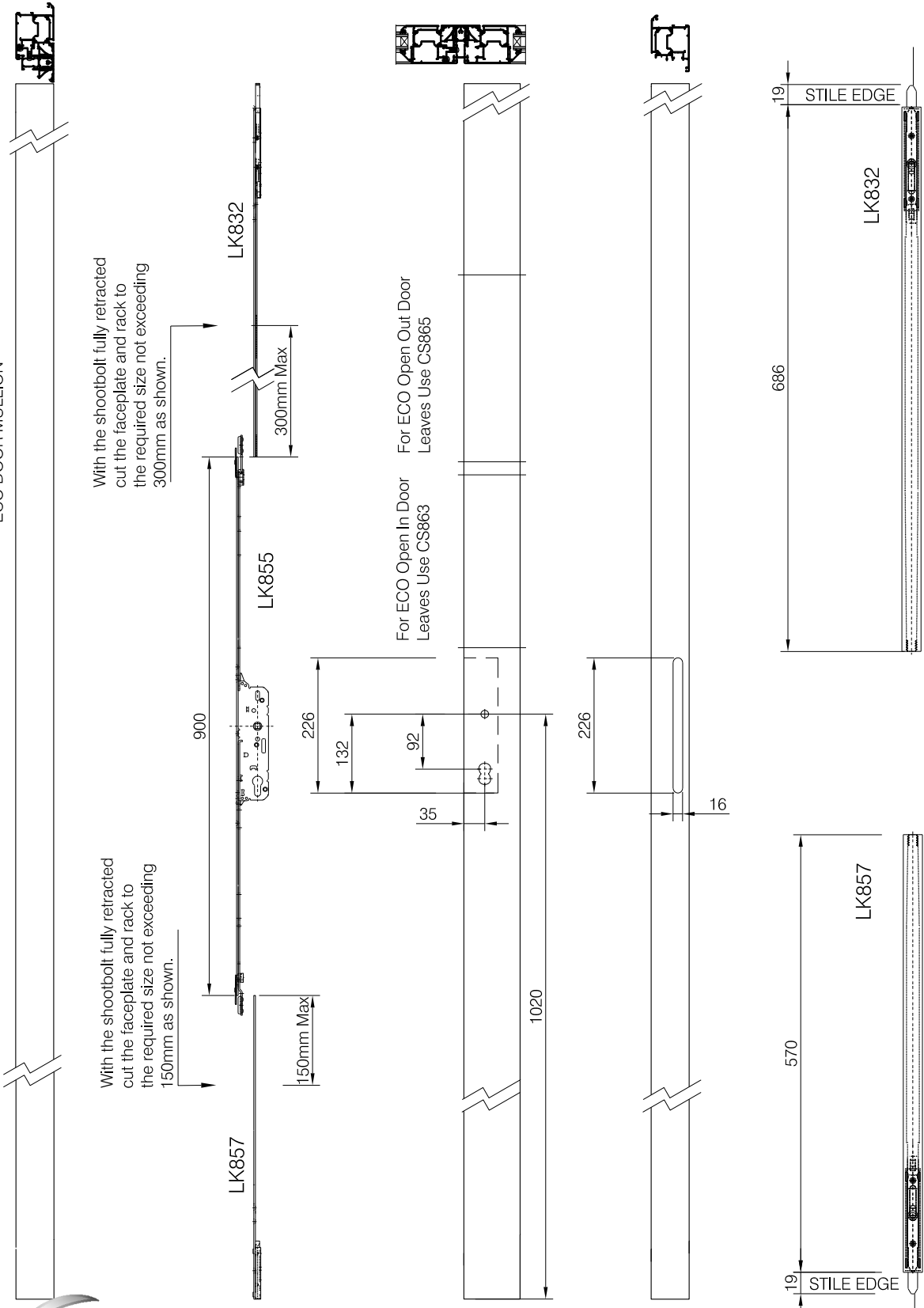
SCALE	NTS	@ A4
DATE	18/01/2018	
DRAWN	DGN/AMR/NS	
DRG. No.	C7-Pi-RB-EC 3.29R2	



Copyright & ownership of this drawing is vested in COMAR Architectural Aluminium Systems, whose prior written consent is required for its use, reproduction or publication to any third party. All other rights reserved. Subject to modifications without prior notification

SCALE	N.T.S	@ A4
DATE	30/09/2019	
DRAWN	DGN/AMR/BB	
DRG. No.	C7-Pi-RB-EC 3.30R3	

CS867 MEETING STYLE
ECO DOOR MULLION



Copyright & ownership of this drawing is vested in COMAR Architectural Aluminium Systems, whose prior written consent is required for its use, reproduction or publication to any third party. All other rights reserved. Subject to modifications without prior notification

SCALE	N.T.S	© A4
DATE	03/12/2019	
DRAWN	DGN/SD	
DRG. No.	C7-Pi-RB-EC3.30.1R0	

comar7Pi

TITLE **POLYAMIDE INSULATED ECO DOORS
THERMALLY EFFICIENT ECO DOOR SYSTEM**

SHEET No.
ECO 3.30.2

SUB TITLE
INTENTIONALLY BLANK

INTENTIONALLY
BLANK



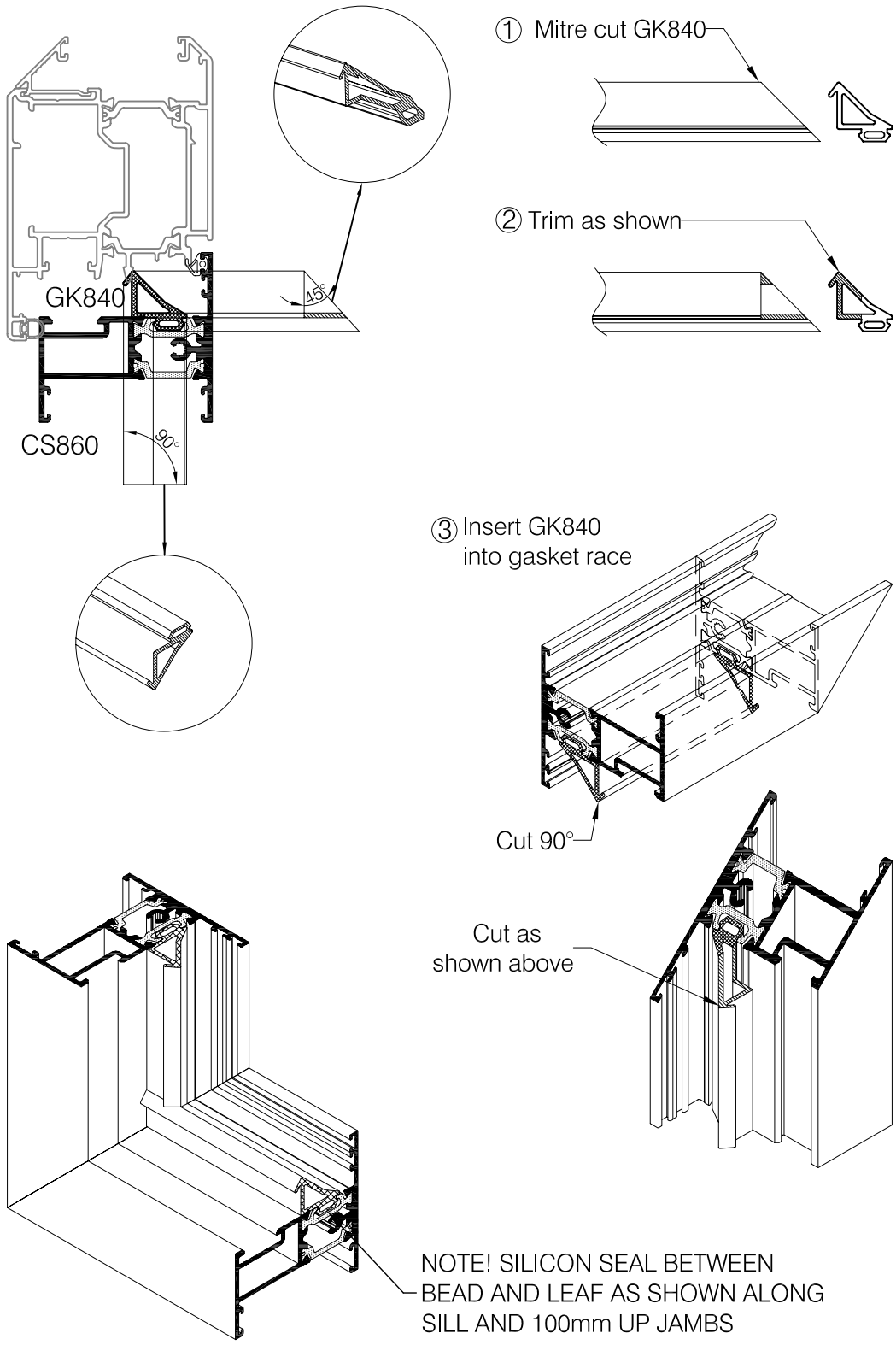
comar
ARCHITECTURAL ALUMINIUM SYSTEMS



Copyright & ownership of this drawing is vested in COMAR Architectural Aluminium Systems, whose prior written consent is required for its use, reproduction or publication to any third party. All other rights reserved. Subject to modifications without prior notification

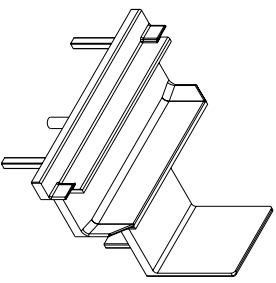
THE PARKSIDE GROUP LTD
UNIT 5 ° THE WILLOW CENTRE
17 WILLOW LANE ° MITCHAM
SURREY ° CR4 4NX
Tel: 020-8685 9685 Fax: 020-8687 1142
Email: technical@parksidegrp.co.uk
Web Site: <http://www.comar-alu.co.uk>

SCALE	N.T.S	@ A4
DATE	03/12/2019	
DRAWN	DGN/SD	
DRG. No.	C7-Pi-RB-EC3.30.2R0	



SCALE	1:2	© A4
DATE	29/01/2010	
DRAWN	0P/CAD	
DRG. No.	C7-Pi-RI-EC	3.31

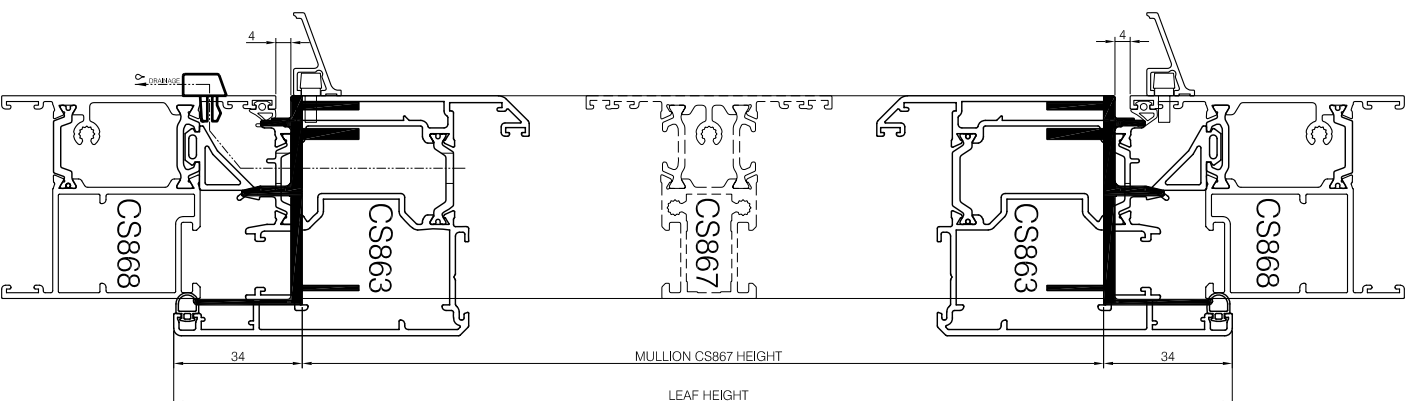
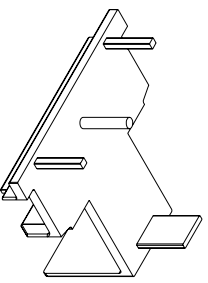
EC867DBLK
Mullion End Cap



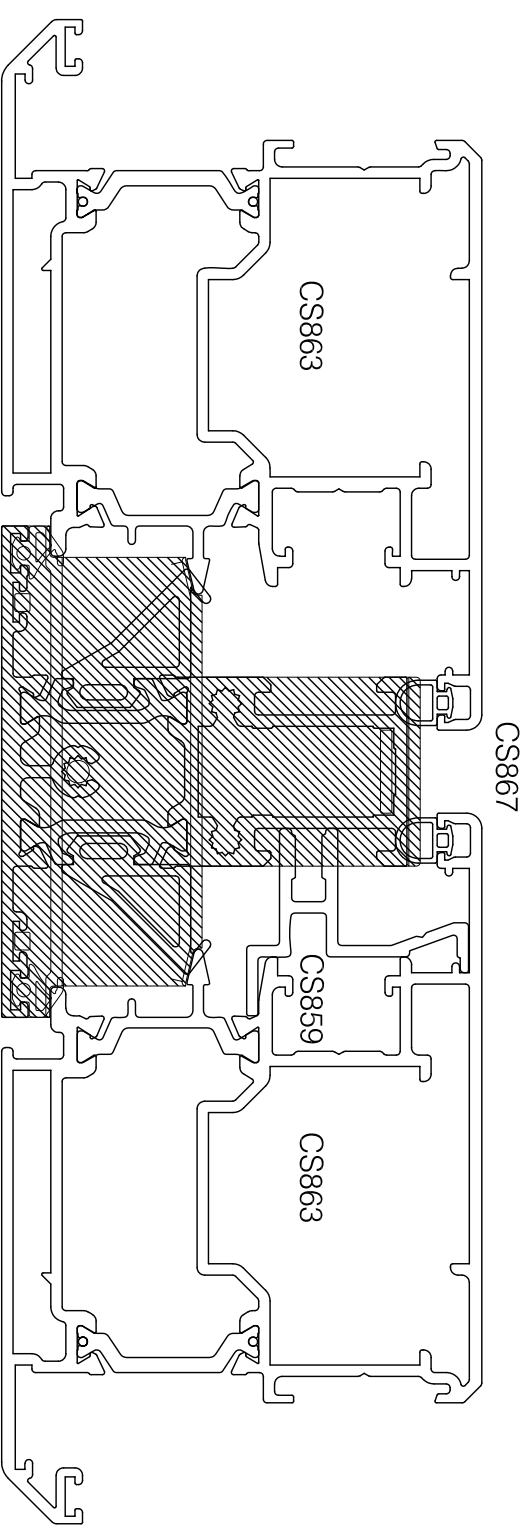
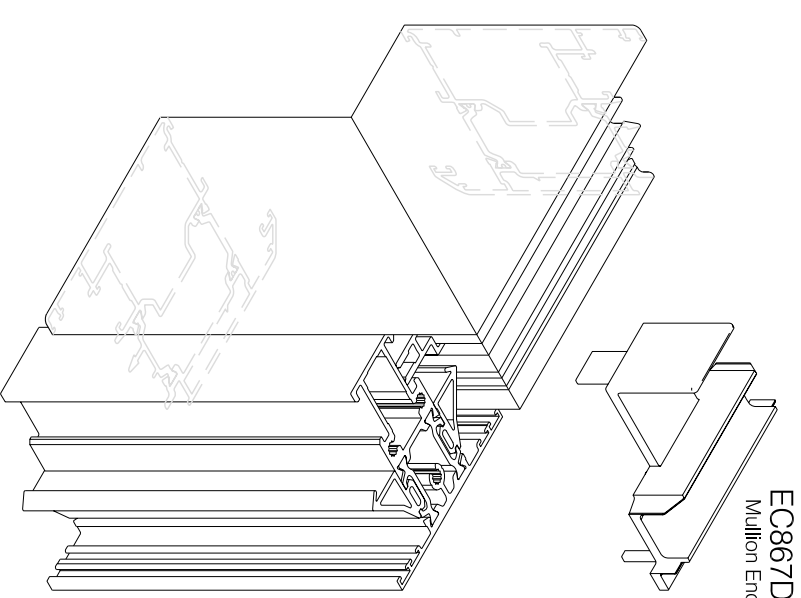
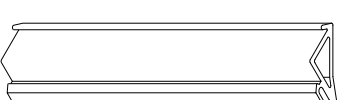
APPLY ADHESIVE OR SUITABLE
EQUIVALENT TO SURFACE AND
INTO RECESSES

ADHESIVE REF:
SE008XS1F (CLEAR)
SE007XS1F (WHITE)
SE007BLK (BLACK)

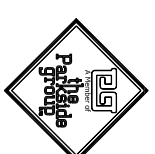
EC867DBLK
Mullion End Cap



CUT TO SIZE:	CS867 CUTTING: LEAF HEIGHT - 68MM
--------------	--------------------------------------



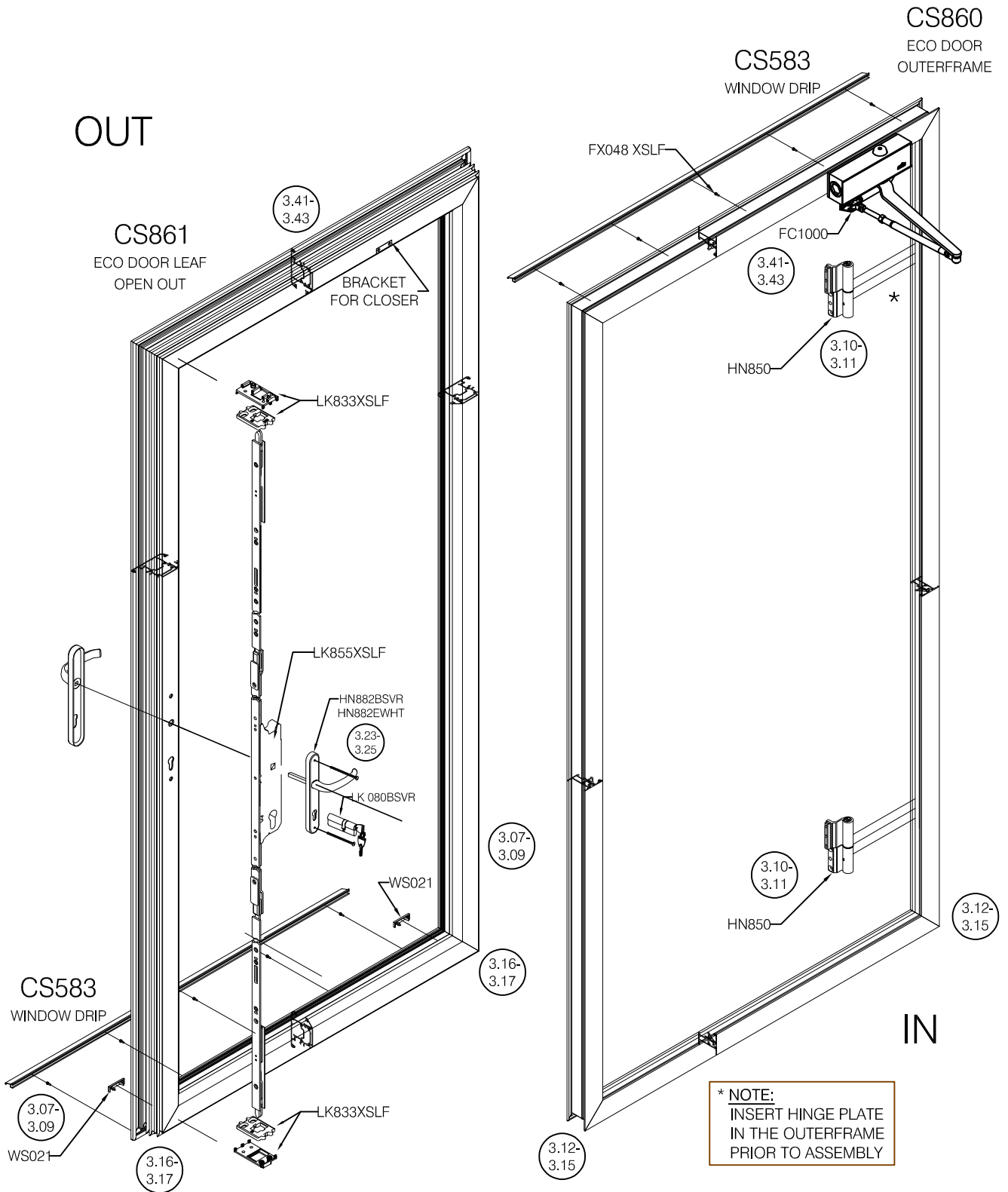
Copyright & ownership of this drawing is vested in COMAR Architectural Aluminium Systems, whose prior written consent is required for its use, reproduction or publication to any third party. All other rights reserved.



THE PARKSIDE GROUP LTD
UNIT 5 • THE WILLOW CENTRE
17 WILLOW LANE • MITCHAM
SURREY • CR4 4NX
Tel: 020-8685 9685 Fax: 020-8687 1142
Email: technical@parksidegrp.co.uk
Web Site: http://www.commar-alu.co.uk

SCALE	1:2 & 1:1	@A3
DATE	29/01/2010	
DRAWN	OP / CAD	
DRG. No.	C7-P1-RB-EC 3.32	RO





Copyright & ownership of this drawing is vested in COMAR Architectural Aluminium Systems, whose prior written consent is required for its use, reproduction or publication to any third party. All other rights reserved. Subject to modifications without prior notification.

comar7P*i*

TITLE **POLYAMIDE INSULATED ECO DOORS
THERMALLY EFFICIENT ECO DOOR SYSTEM**

SHEET No.
ECO 3.33.1

SUB TITLE

FOR FUTURE ADDITIONS



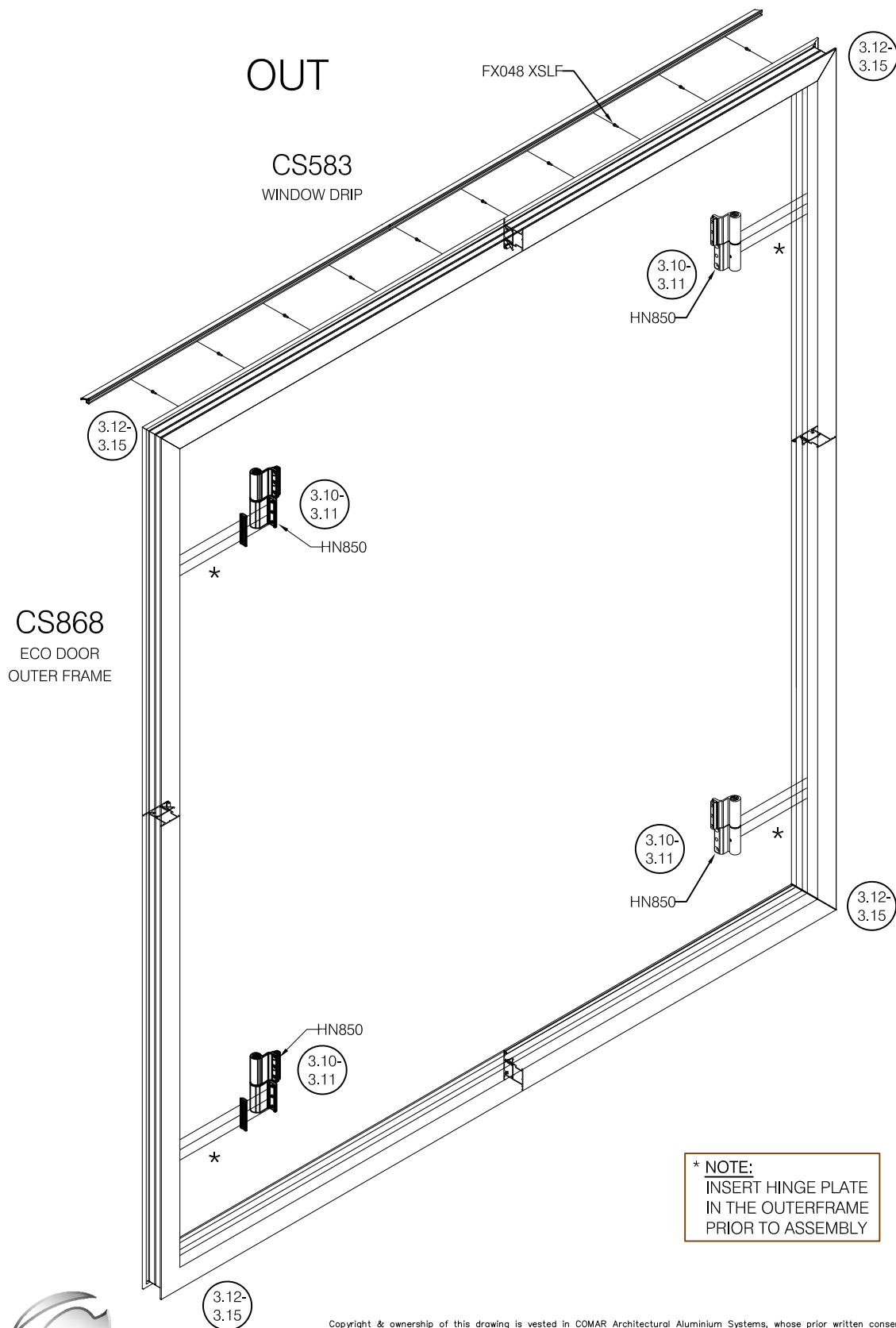
comar
ARCHITECTURAL ALUMINIUM SYSTEMS



Copyright & ownership of this drawing is vested in COMAR Architectural Aluminium Systems, whose prior written consent is required for its use, reproduction or publication to any third party. All other rights reserved. Subject to modifications without prior notification

THE PARKSIDE GROUP LTD
UNIT 5 ° THE WILLOW CENTRE
17 WILLOW LANE ° MITCHAM
SURREY ° CR4 4NX
Tel: 020-8685 9685 Fax: 020-8687 1142
Email: technical@parksidegrp.co.uk
Web Site: <http://www.comar-alu.co.uk>

SCALE	1:1	@ A4
DATE	17/01/2019	
DRAWN	OP/CAD	
DRG. No.	C7-Pi-RI-EC	3.33.1

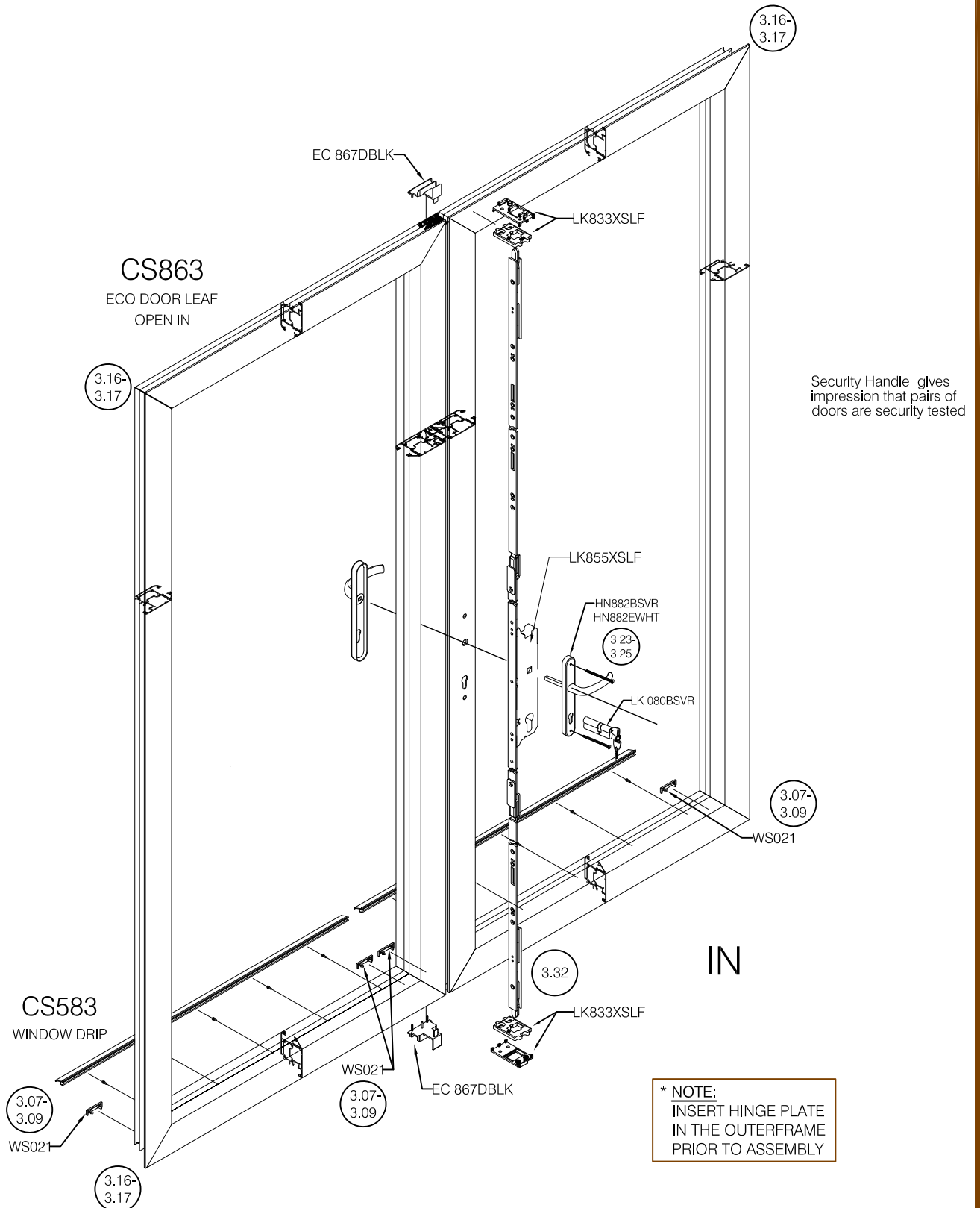


*** NOTE:**
INSERT HINGE PLATE
IN THE OUTERFRAME
PRIOR TO ASSEMBLY

Copyright & ownership of this drawing is vested in COMAR Architectural Aluminium Systems, whose prior written consent is required for its use, reproduction or publication to any third party. All other rights reserved. Subject to modifications without prior notification



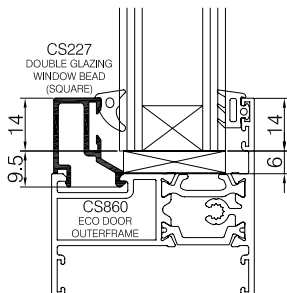
SCALE	NTS	@ A4
DATE	01/11/2018	
DRAWN	OP/CAD	
DRG. No.	C7-Pi-RB-EC 3.34 R1	



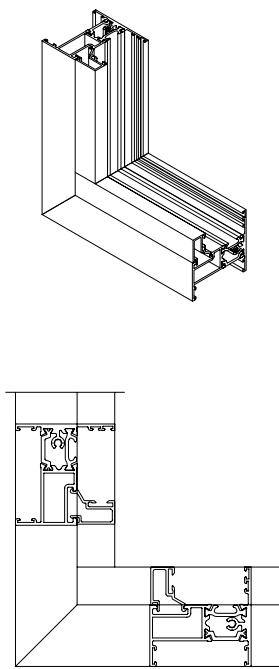
Copyright & ownership of this drawing is vested in COMAR Architectural Aluminium Systems, whose prior written consent is required for its use, reproduction or publication to any third party. All other rights reserved. Subject to modifications without prior notification



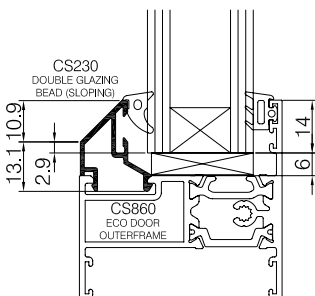
CS227
DOUBLE GLAZING
WINDOW BEAD (SQUARE)



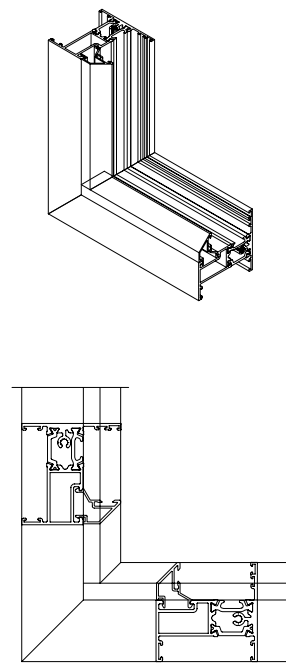
1. HORIZONTAL BEAD - SQUARE CUT
GLASS SIZE + 12mm
2. VERTICAL BEAD - SQUARE CUT
GLASS SIZE - 28mm




CS230
DOUBLE GLAZING
BEAD (SLOPING)

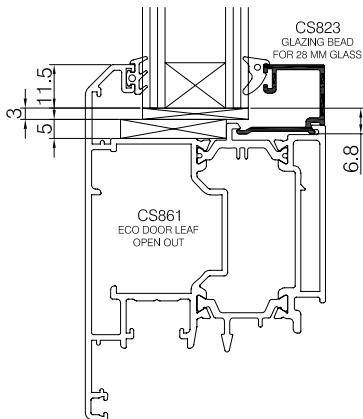


1. HORIZONTAL BEAD - SQUARE CUT
GLASS SIZE + 12 mm
2. VERTICAL BEAD - GLASS SIZE + 5.8mm
4.7 MM SQUARE CUT AT EACH END
THEN SLOPED PART CUTS AT 45°

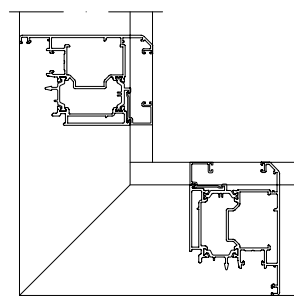
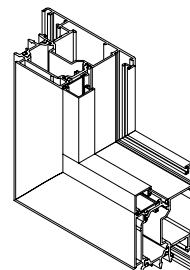




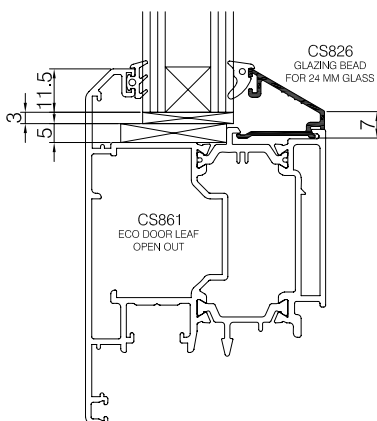
CS823
GLAZING BEAD
FOR 28 MM GLASS



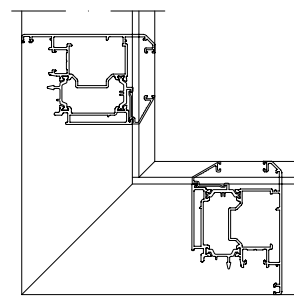
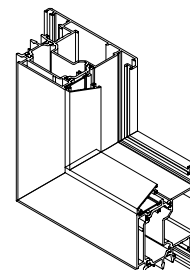
1. HORIZONTAL BEAD - SQUARE CUT
GLASS SIZE + 13.6mm
2. VERTICAL BEAD - SQUARE CUT
GLASS SIZE - 22.8mm



CS826
GLAZING BEAD
FOR 24 MM GLASS



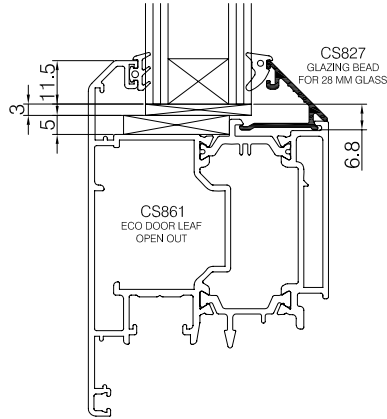
1. HORIZONTAL BEAD - SQUARE CUT
GLASS SIZE + 14mm
2. VERTICAL BEAD - GLASS SIZE + 0.4mm
4.7 MM SQUARE CUT AT EACH END
THEN SLOPED PART CUTS AT 30°



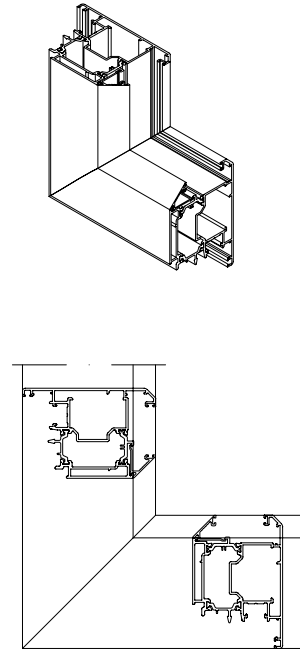
SCALE	1: 2	© A4
DATE	29/01/2010	
DRAWN	OP/CAD	
DRG. No.	C7-Pi-RB-EC 3.36	



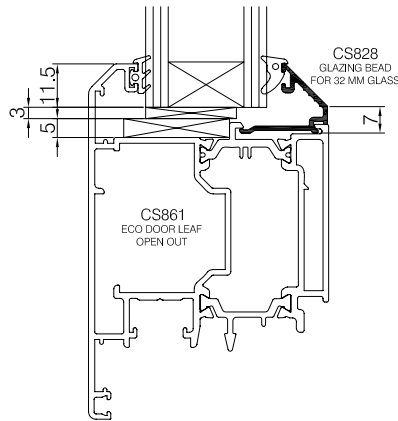
CS827
GLAZING BEAD
FOR 28 MM GLASS



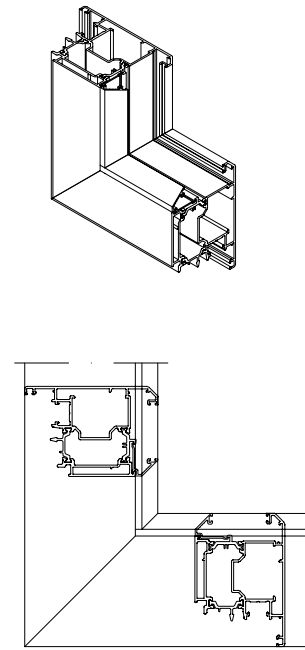
1. GLASS HEIGHT / WIDTH + 13.6MM
WITH MITRE JOINTS



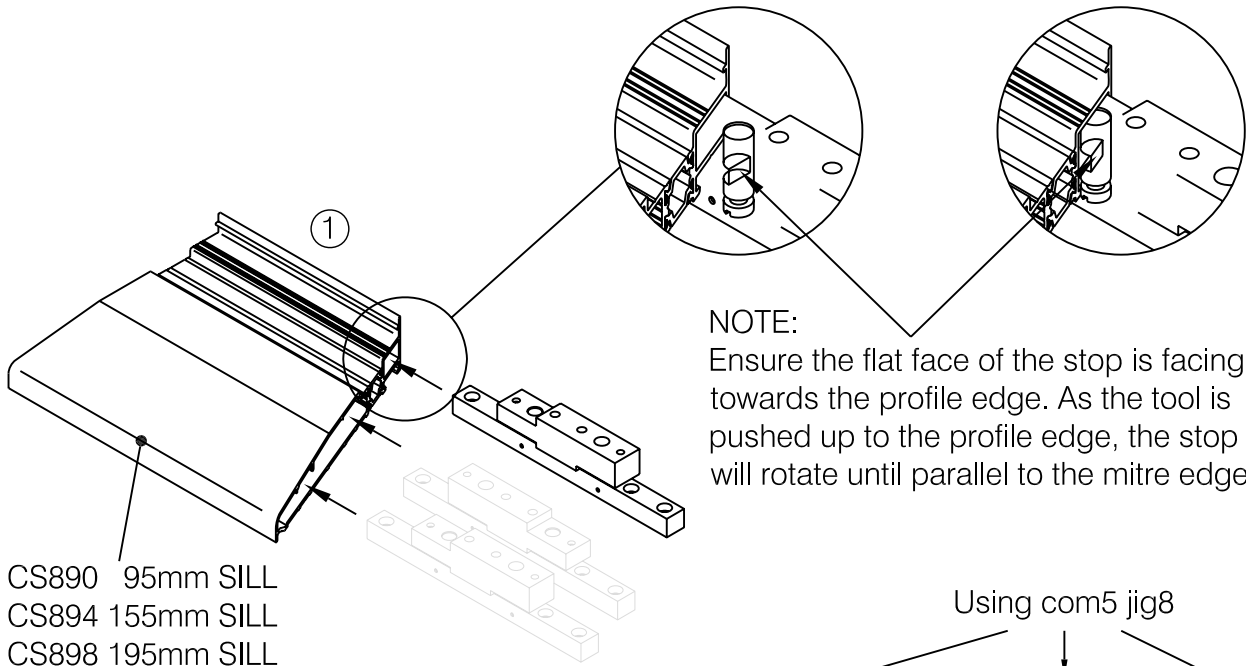

CS828
GLAZING BEAD
FOR 32 MM GLASS



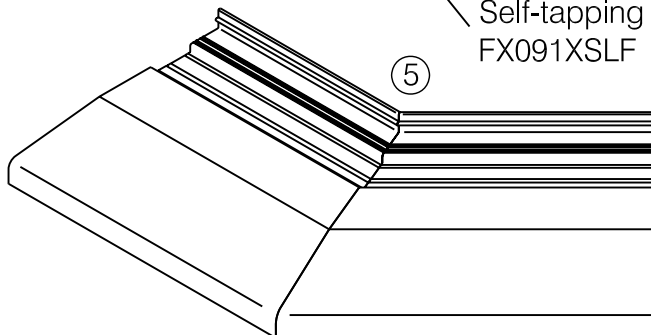
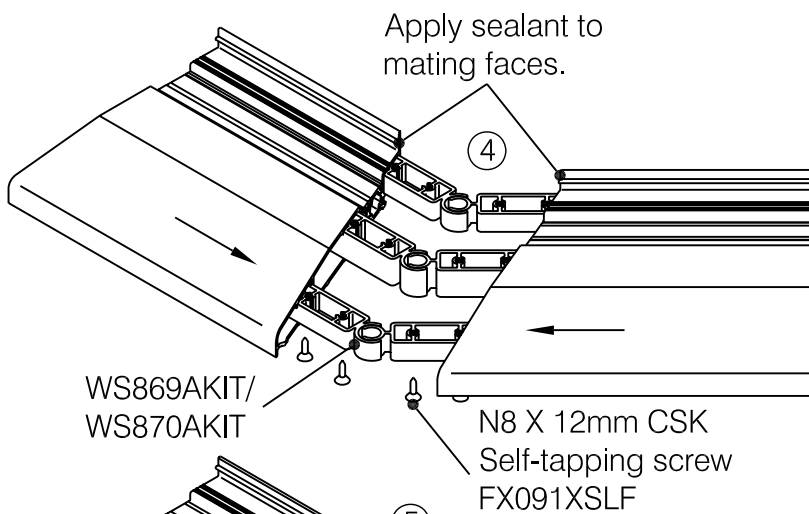
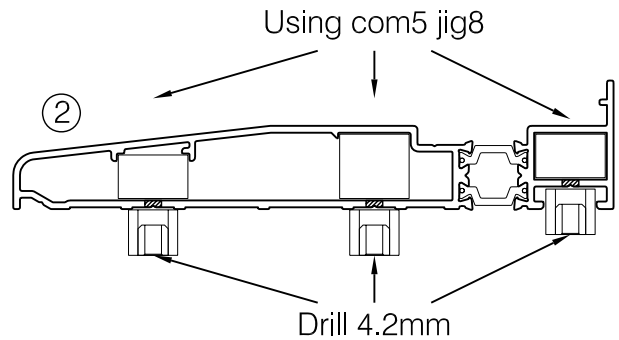
1. HORIZONTAL BEAD - SQUARE CUT
GLASS SIZE + 14mm
2. VERTICAL BEAD - GLASS SIZE + 0.4mm
4.7 MM SQUARE CUT AT EACH END
THEN SLOPED PART CUTS AT 45°



SCALE	1: 2	© A4
DATE	29/01/2010	
DRAWN	0P/CAD	
DRG. No.	C7-Pi-RB-EC 3.37	



CS890 95mm SILL
CS894 155mm SILL
CS898 195mm SILL



1, Insert com5-jig8 into profile cavity. note, tooling has two spigots of different sizes depending which cavity to be used.

2, Underside of profile, use jig to drill 4.2mm holes through 1 cavity wall only.

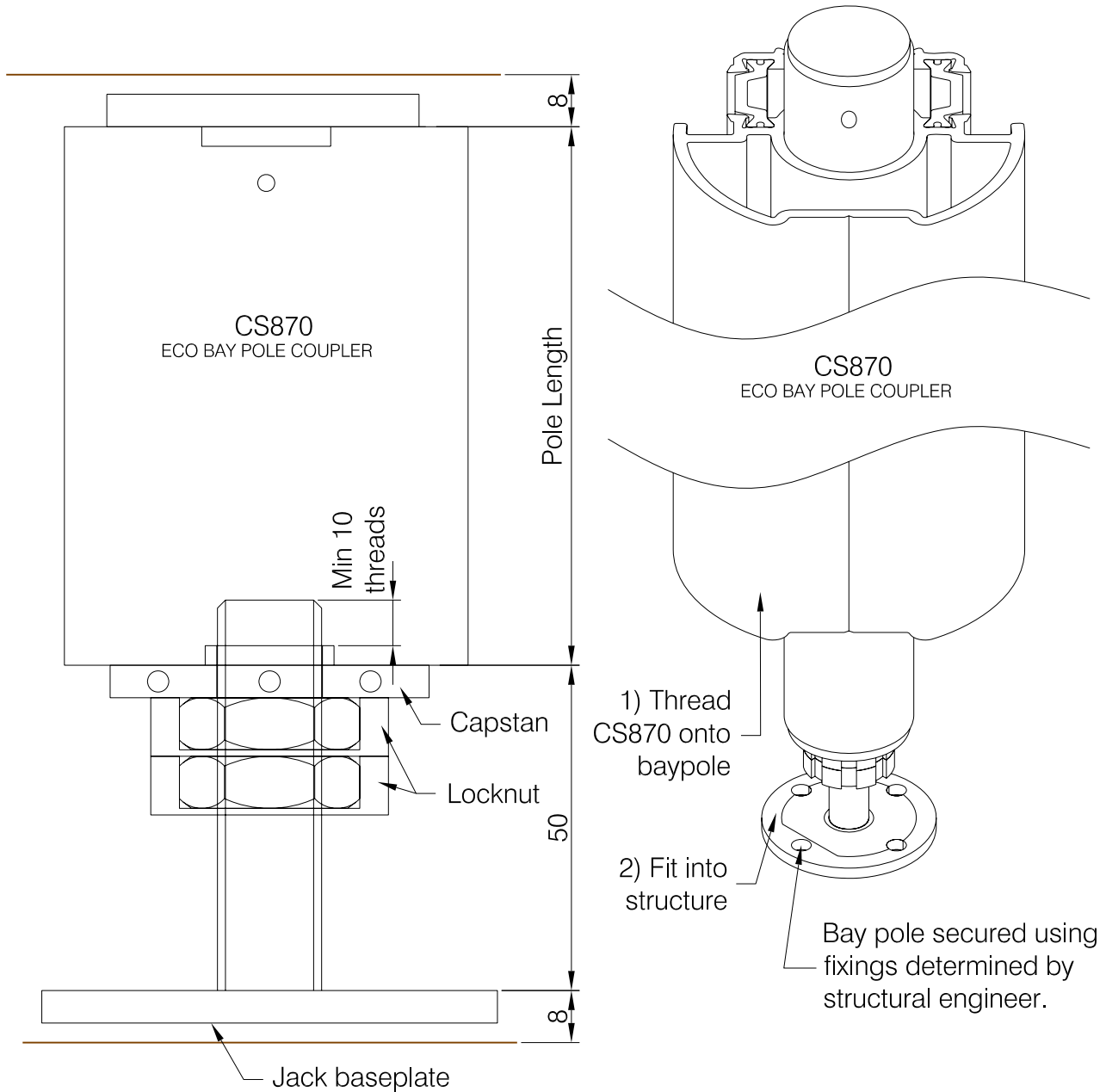
3, Remove jig.

4, Insert cleats & glue into profile cavity & apply sealant to mating faces.

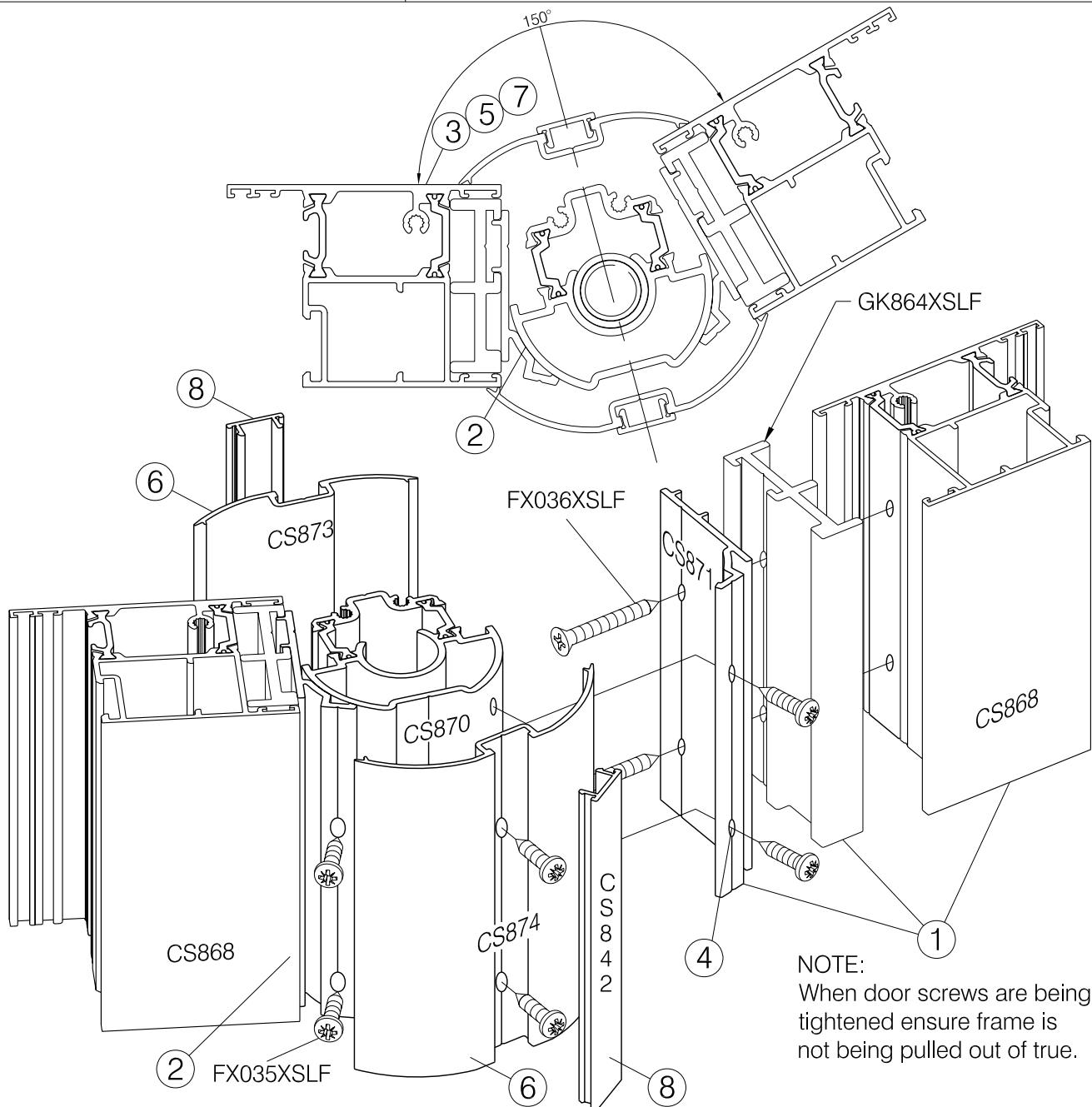
5, Fasten profile to cleat using FX091XSLF.



FOR FITTING SEE BAYPOLE TECHNICAL DATA SHEET



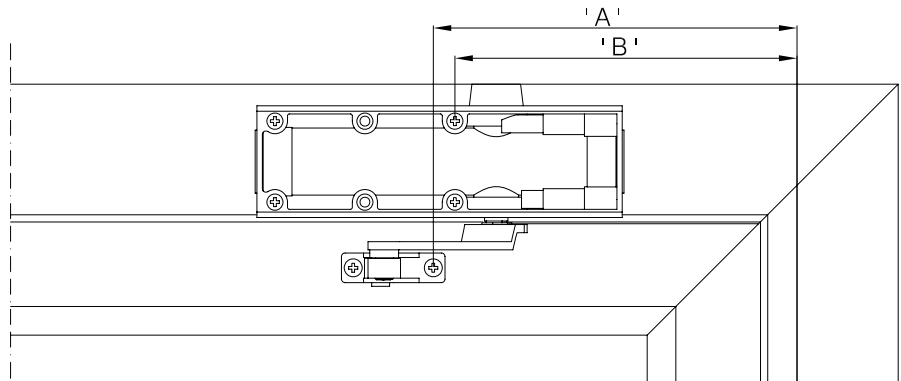
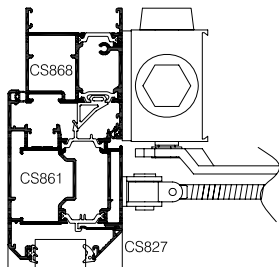
Copyright & ownership of this drawing is vested in COMAR Architectural Aluminium Systems, whose prior written consent is required for its use, reproduction or publication to any third party. All other rights reserved. Subject to modifications without prior notification



NOTE:
When door screws are being tightened ensure frame is not being pulled out of true.

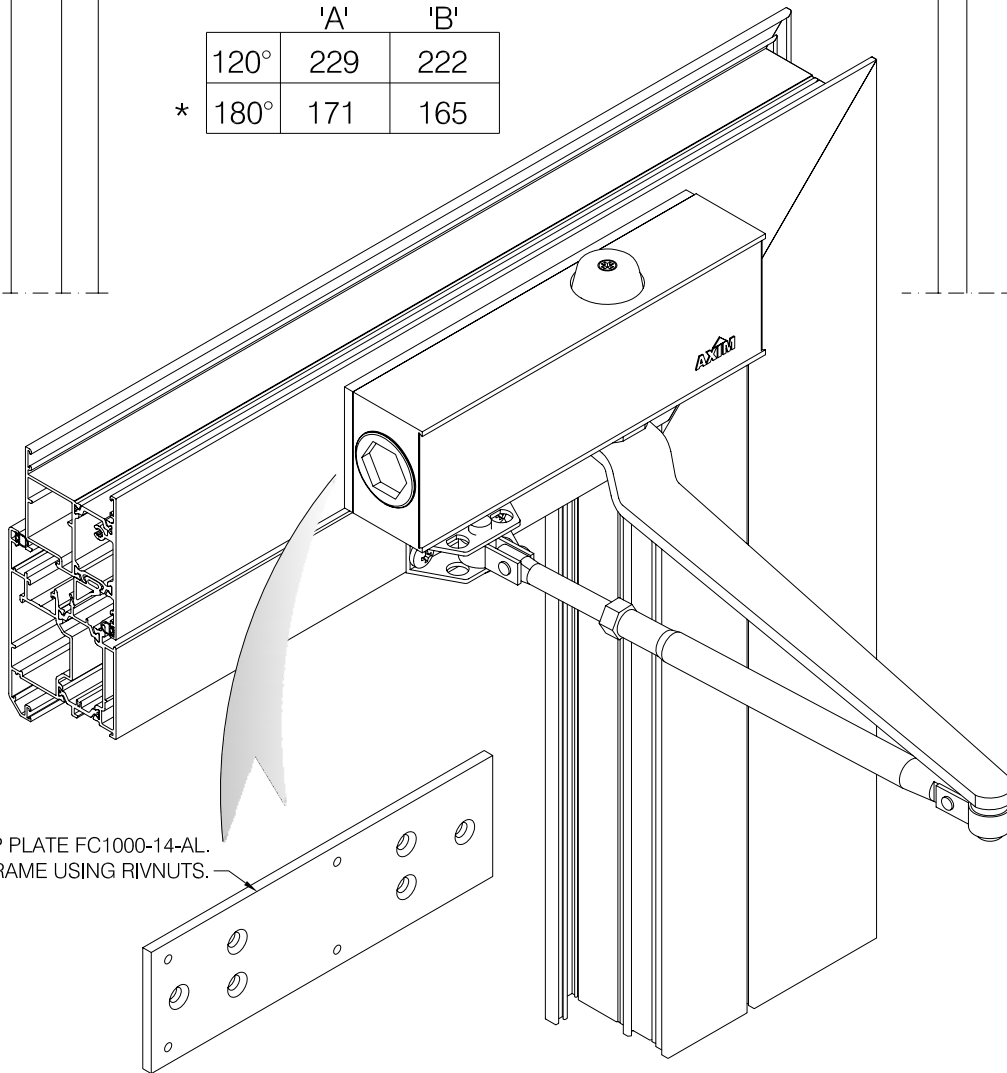
1. Fit GK864XSLF into CS868 with CS871 as shown and fix together using FX036XSLF, spacing of 150mm max.
2. Position door outerframe upto bay pole assembly to obtain the correct angle.
3. Temporarily secure the door outerframe to the structure.
4. Drill screw holes through CS871 and CS870 along its full length with spacing of 150mm max.
5. Finally align door outerframe
6. Fit CS874 & CS873 to CS870 and secure using FX035XSLF
7. Finally secure doors outerframe
8. Fit CS842 euro groove infill, seal all edges for watertightness.

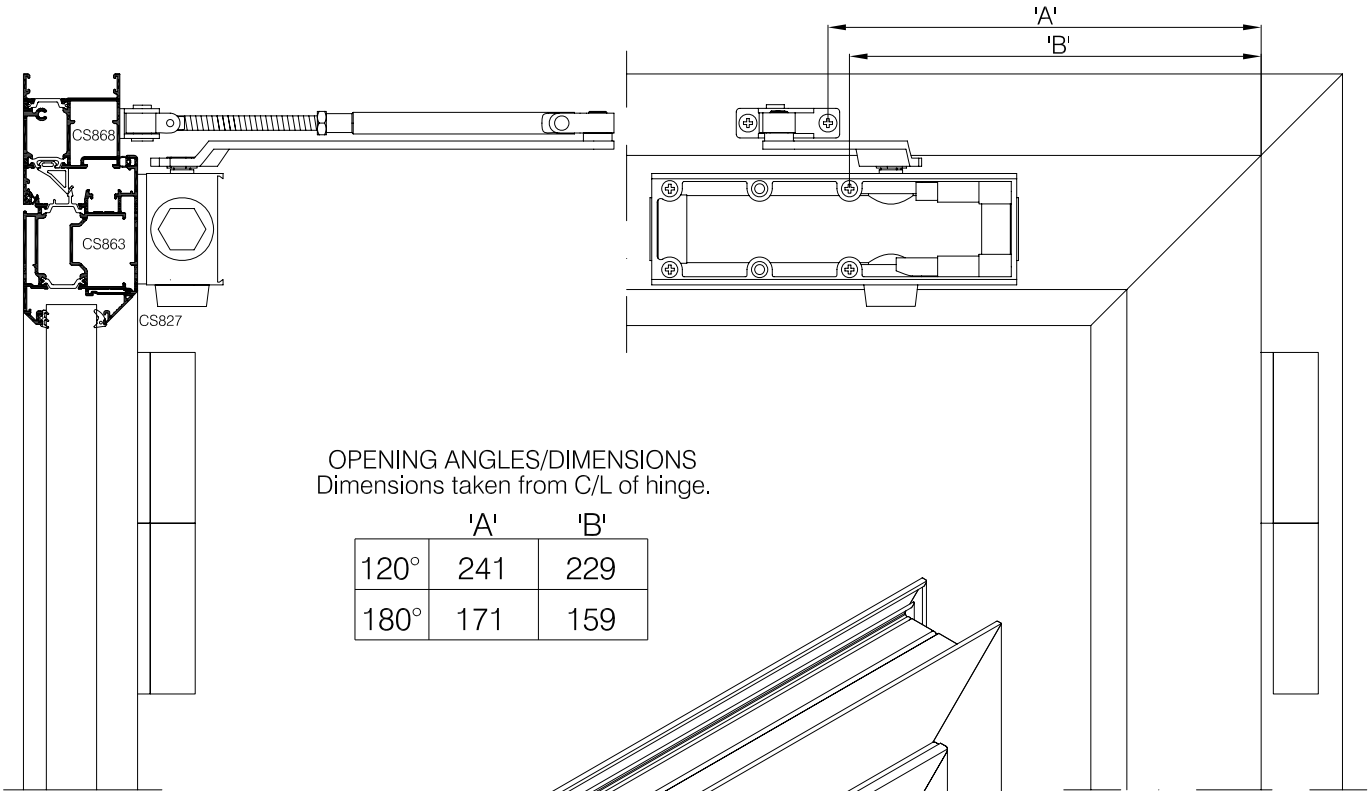




OPENING ANGLES/DIMENSIONS
Dimensions taken from C/L of hinge.

	'A'	'B'
120°	229	222
* 180°	171	165





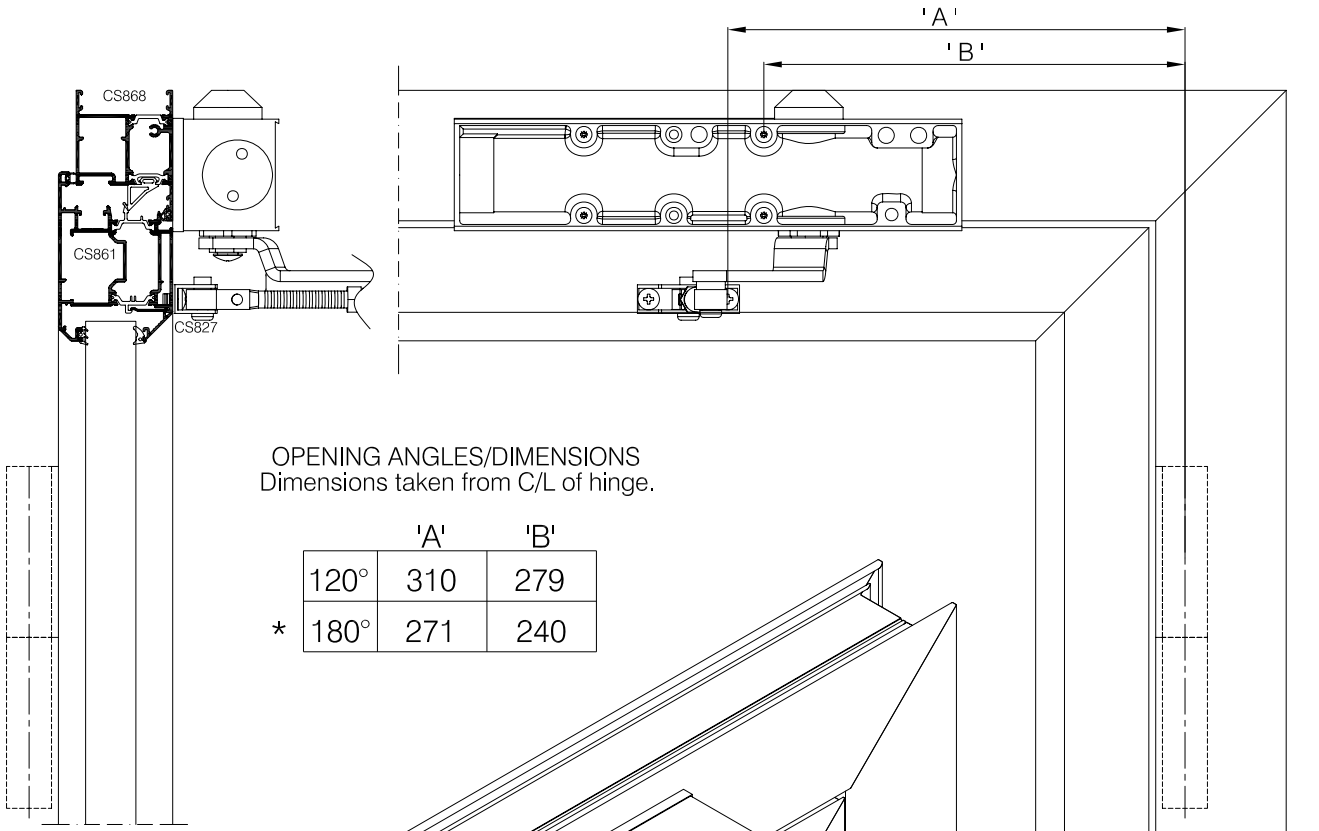
OPENING ANGLES/DIMENSIONS
Dimensions taken from C/L of hinge.

	'A'	'B'
120°	241	229
180°	171	159

USE DROP PLATE FC1000-14-AL.
ATTACH TO DOOR LEAF USING
RIVNUTS.

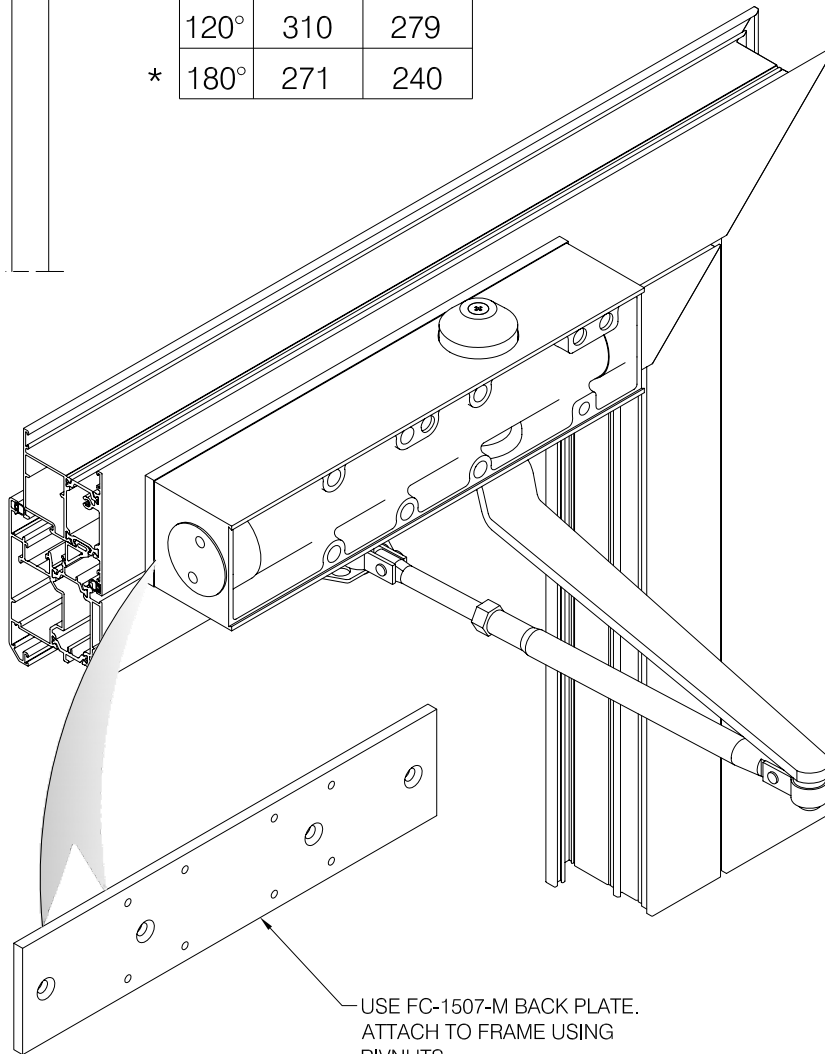


SCALE	NTS	@ A4
DATE	29/01/2010	
DRAWN	OP/CAD	
DRG. No.	C7-Pi-RB-EC 3.42	

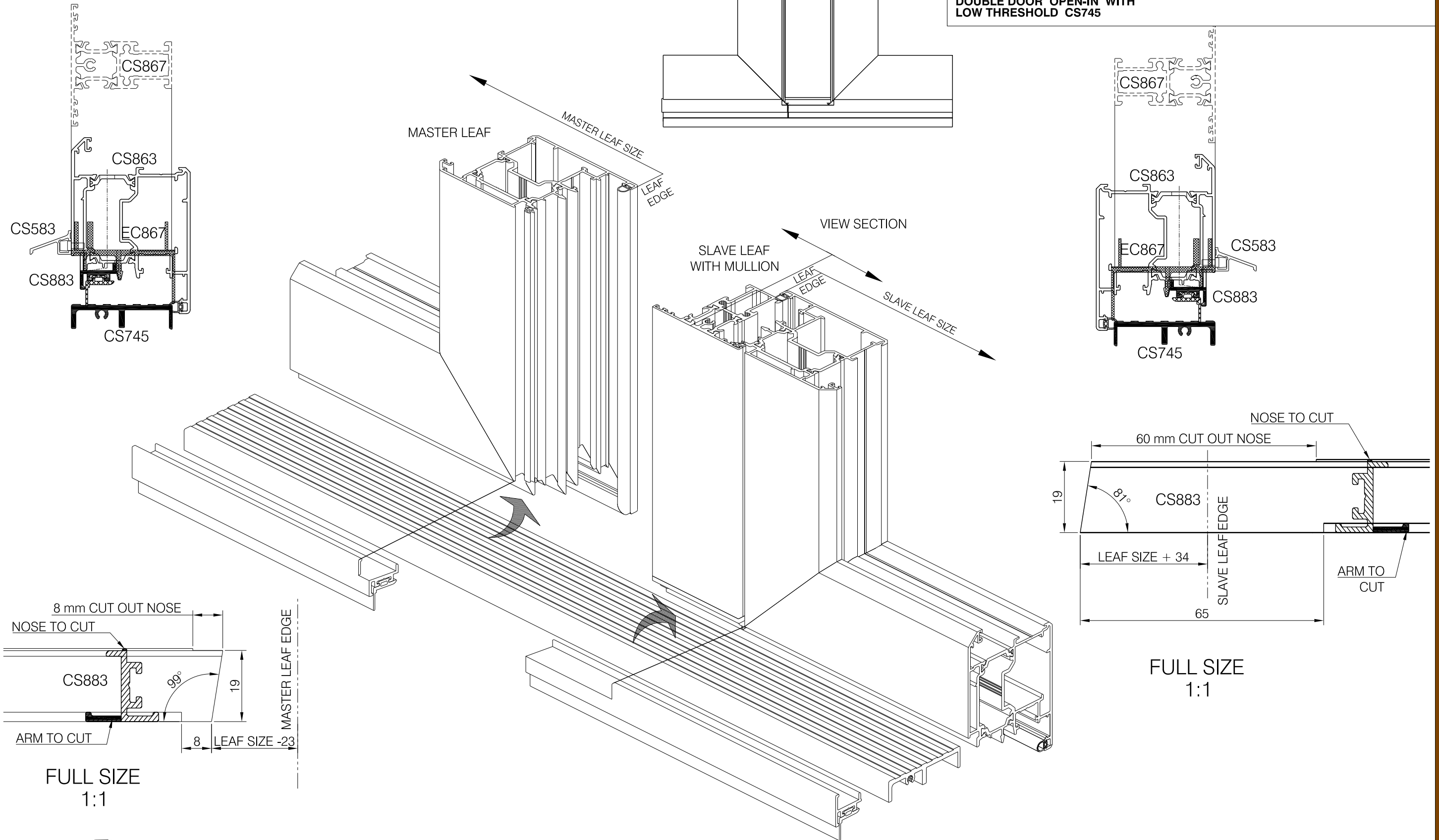


OPENING ANGLES/DIMENSIONS
Dimensions taken from C/L of hinge.

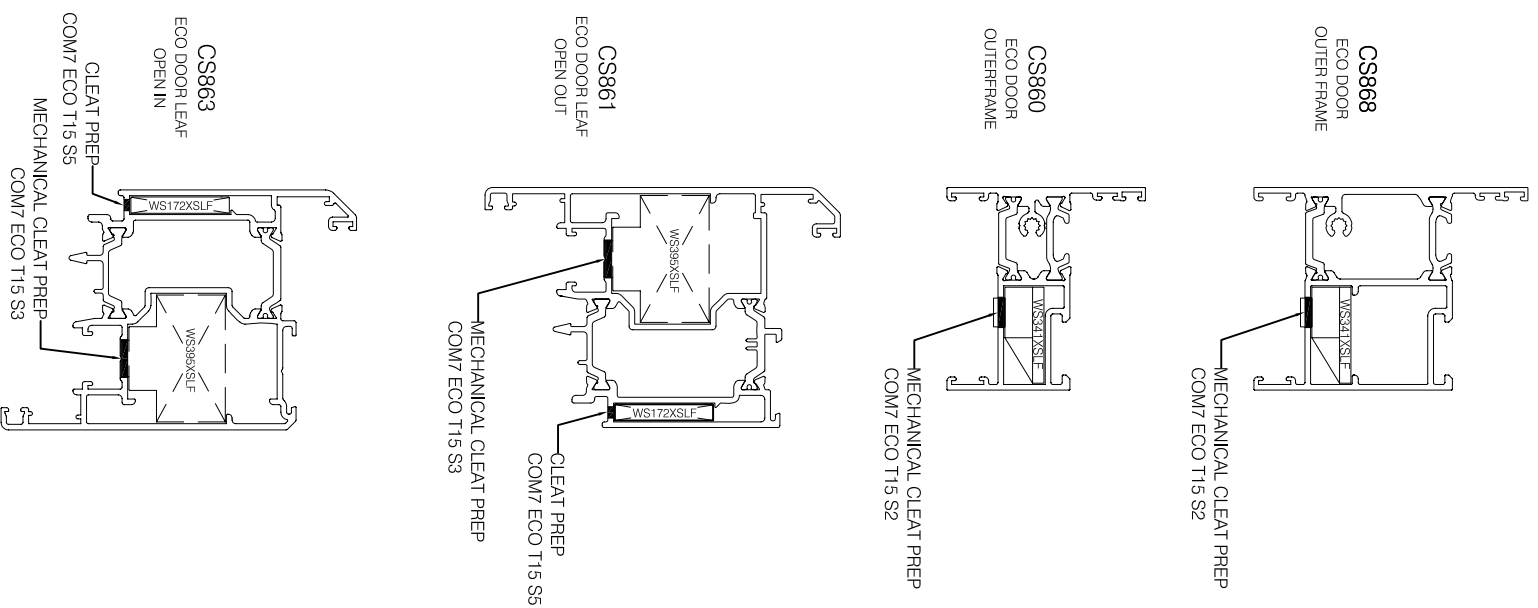
	'A'	'B'
120°	310	279
* 180°	271	240



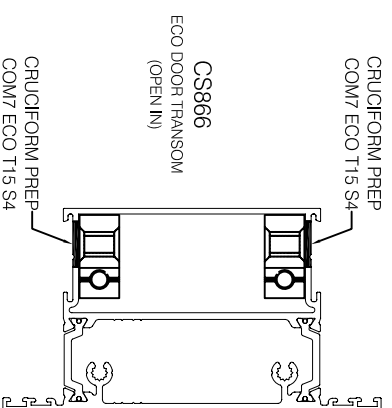
Copyright & ownership of this drawing is vested in COMAR Architectural Aluminium Systems, whose prior written consent is required for its use, reproduction or publication to any third party. All other rights reserved. Subject to modifications without prior notification



CLEATS PREPARATION



CRUCIFORM PREPARATION



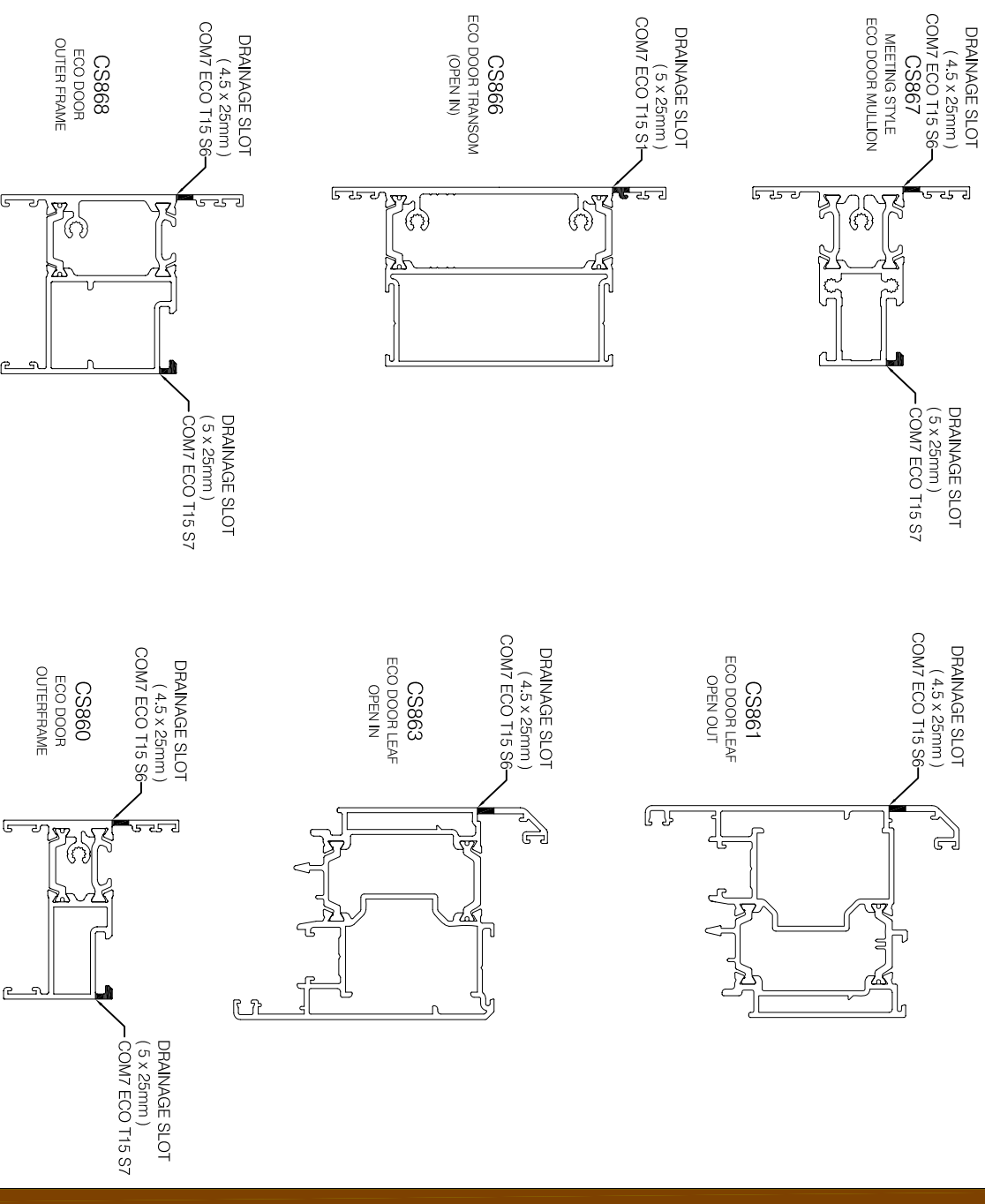
TOOLING REFERENCES:

- COM 7 ECO T15 STATION 1
Cuts a 5mm x 25mm SLOT
- COM 7 ECO T15 STATION 2
Cuts a 6mm x 11mm ROUNDED SLOT
and Ø8mm HOLE
- COM 7 ECO T15 STATION 3
Cuts a 6mm x 11mm ROUNDED SLOT
and Ø10mm HOLE
- COM 7 ECO T15 STATION 4
Not used
- COM 7 ECO T15 STATION 5
Cuts a Ø 3mm HOLE
- COM 7 ECO T15 STATION 6
Cuts a 4.5mm x 25mm SLOT
- COM 7 ECO T15 STATION 7
Cuts a 5 mm x 25 mm NOTCH

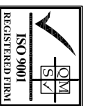
POLYAMIDE INSULATED ECO DOORS THERMALLY EFFICIENT ECO DOOR SYSTEM PUNCH TOOLING BROADSHEET

SHEET No.
ECO 4.01

DRAINAGE PREPARATION



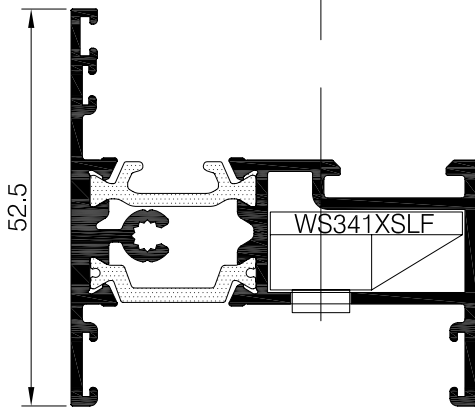
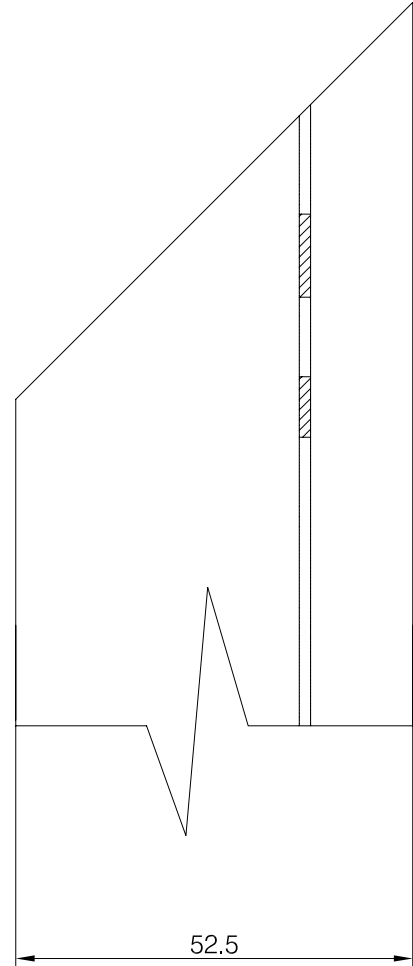
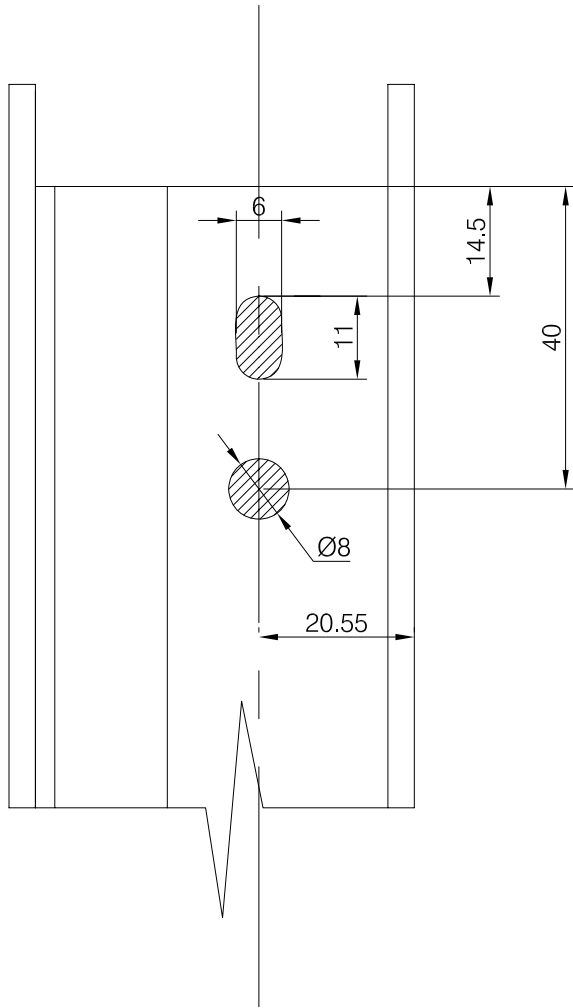
comar
ARCHITECTURAL ALUMINIUM SYSTEMS



Copyright & ownership of this drawing is vested in COMAR Architectural Aluminium Systems, whose prior written consent is required for its use, reproduction or publication to any third party. All other rights reserved.

THE PARKSIDE GROUP LTD
UNIT 5 • THE WILLOW CENTRE
17 WILLOW LANE • MITCHAM
SURREY • CR4 4NX
Tel: 020-8685 9685 Fax: 020-8687 1142
Email: technical@parksidegrp.co.uk
Web Site: <http://www.comar-alu.co.uk>

SCALE	1:2	©A3
DATE	18/06/2010	
DRAWN	OP/DGN	
DRG. No.	C7P1-RB-EC 4.01 R1	



CS860
COM7 ECO T15
STATION 2



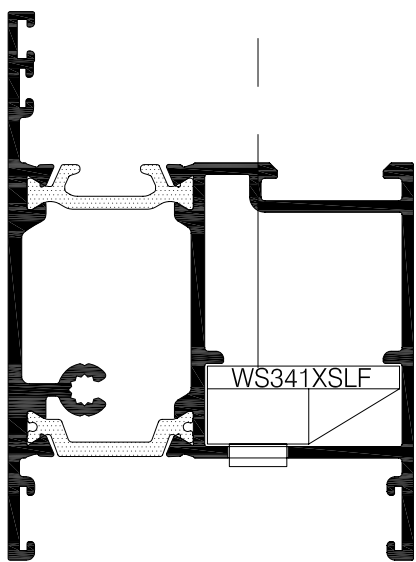
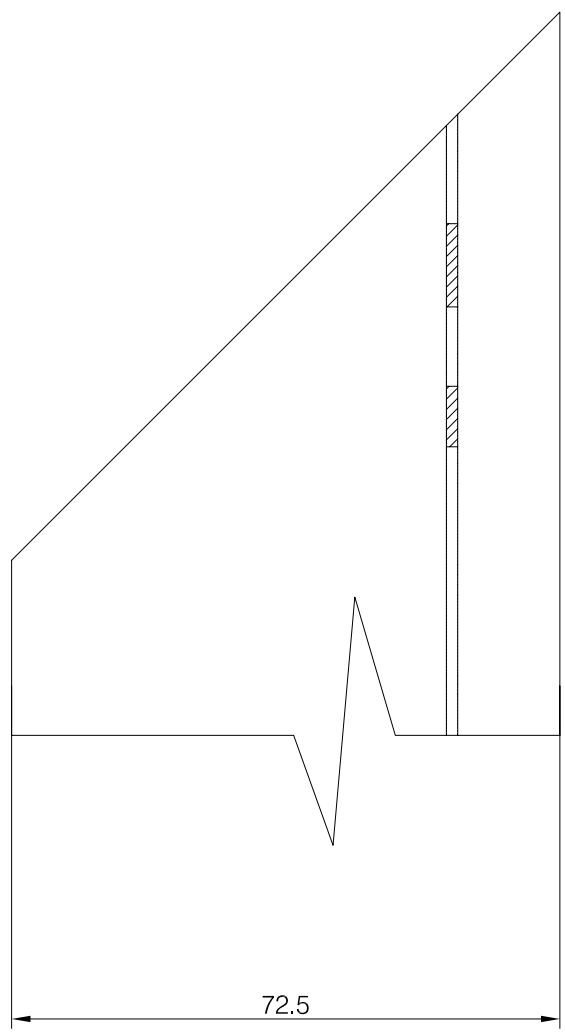
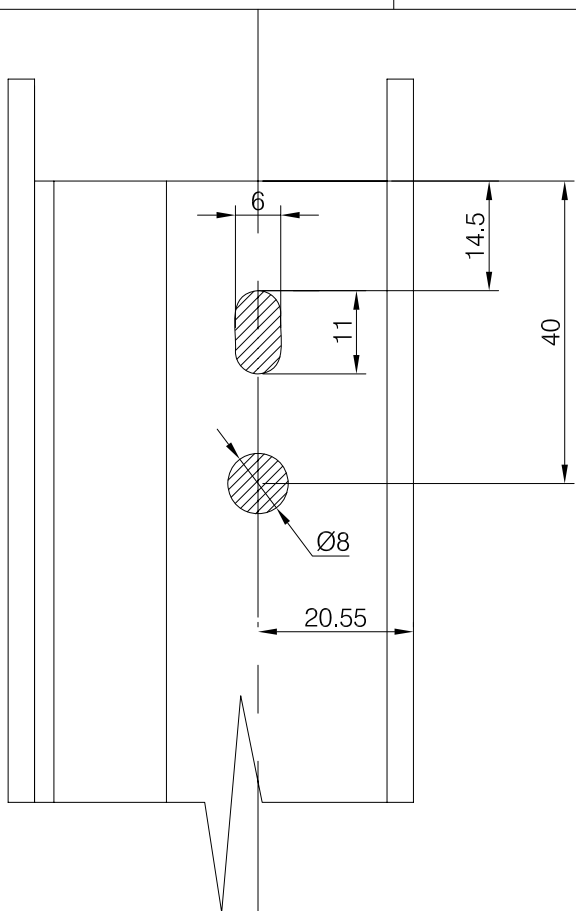
SCALE	1:1	© A4
DATE	29/01/2010	
DRAWN	OP /CAD	
DRG. No.	C7-Pi-RB-EC 4.02	

comar7P.i

TITLE **POLYAMIDE INSULATED ECO DOORS
THERMALLY EFFICIENT ECO DOOR SYSTEM**

SUB TITLE **PUNCH TOOLING
CLEATS PREPARATION - CS868**

SHEET No.
ECO 4.03



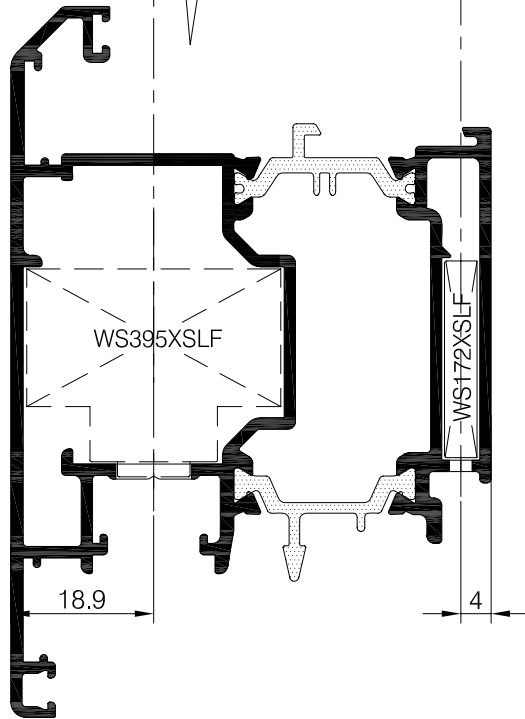
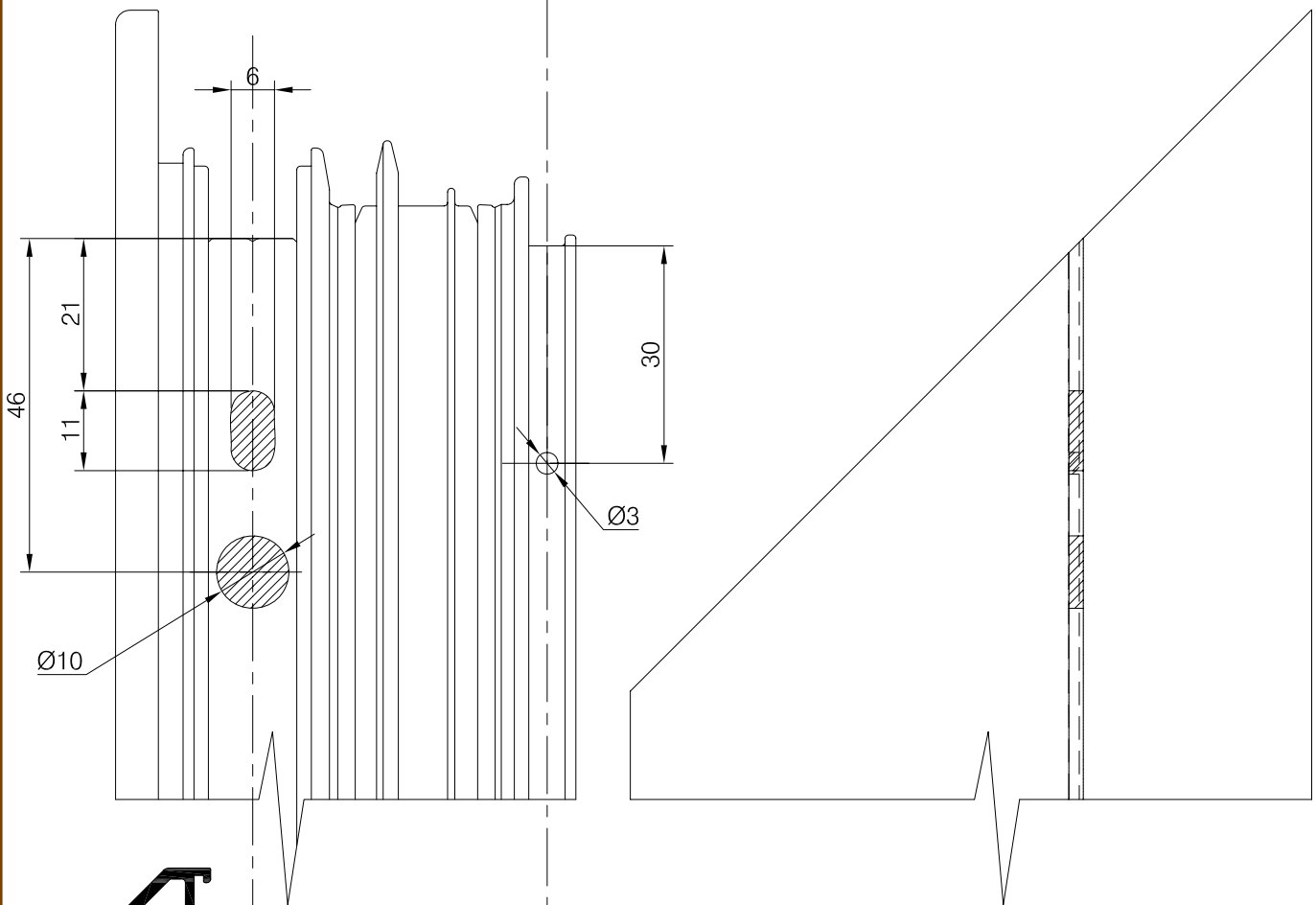
CS868
COM7 ECO T15
STATION 2

Copyright & ownership of this drawing is vested in COMAR Architectural Aluminium Systems, whose prior written consent is required for its use, reproduction or publication to any third party. All other rights reserved. Subject to modifications without prior notification



THE PARKSIDE GROUP LTD
UNIT 5 ° THE WILLOW CENTRE
17 WILLOW LANE ° MITCHAM
SURREY ° CR4 4NX
Tel: 020-8685 9685 Fax: 020-8687 1142
Email: technical@parksidegrp.co.uk
Web Site: http://www.comar-alu.co.uk

SCALE	1:1	© A4
DATE	29/01/2010	
DRAWN	OP /CAD	
DRG. No.	C7-Pi-RB-EC 4.03	

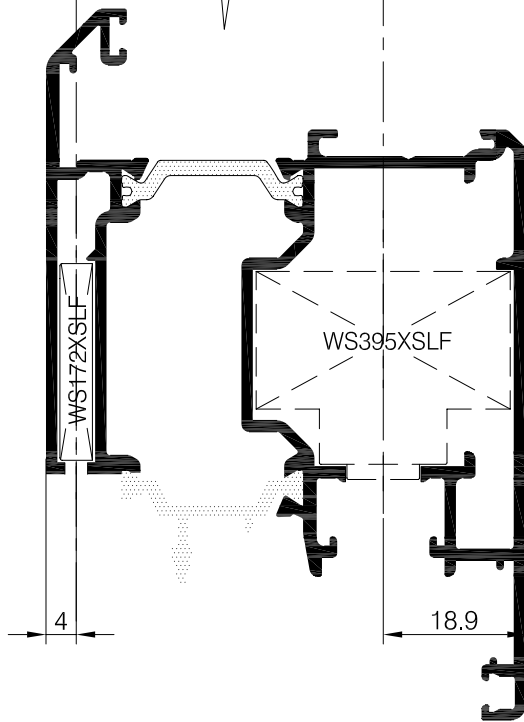
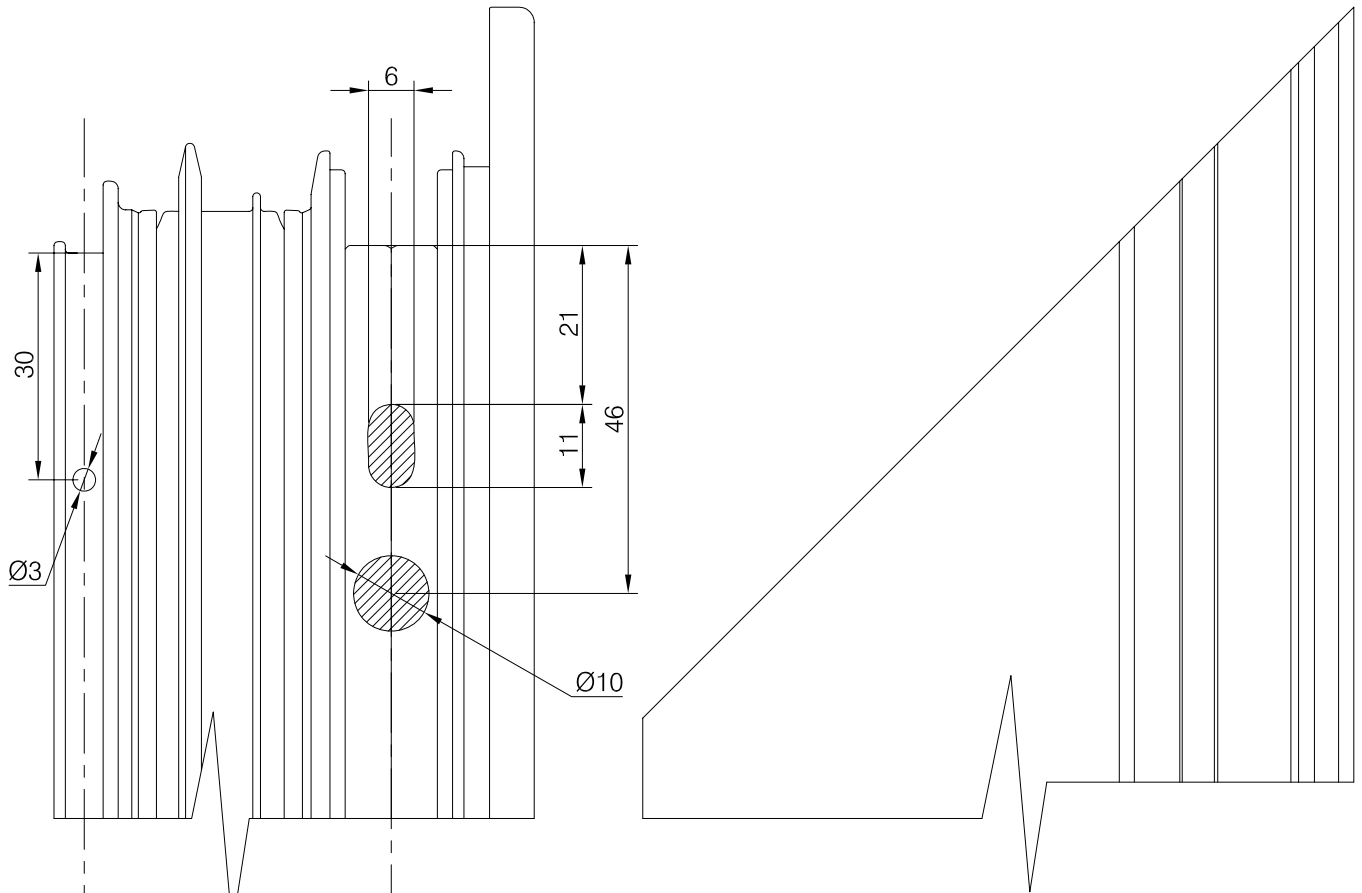


CS861
COM7 ECO T15
STATION 3
&
COM7 ECO T15
STATION 5



Copyright & ownership of this drawing is vested in COMAR Architectural Aluminium Systems, whose prior written consent is required for its use, reproduction or publication to any third party. All other rights reserved. Subject to modifications without prior notification

SCALE	1:1	© A4
DATE	29/01/2010	
DRAWN	OP /CAD	
DRG. No.	C7-Pi-RB-EC 4.04	

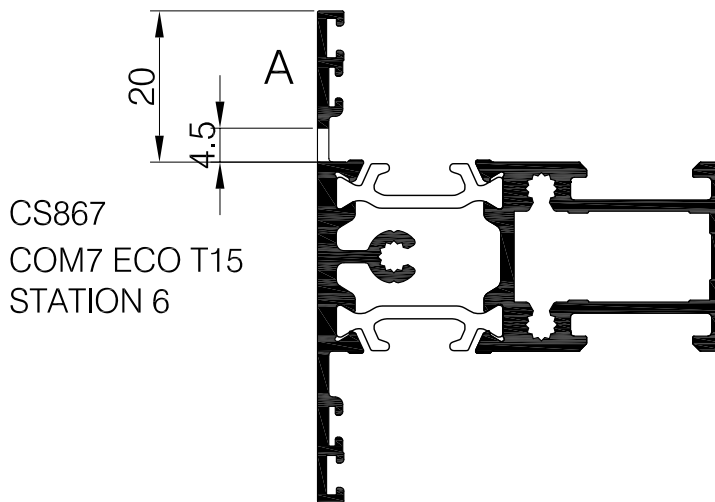
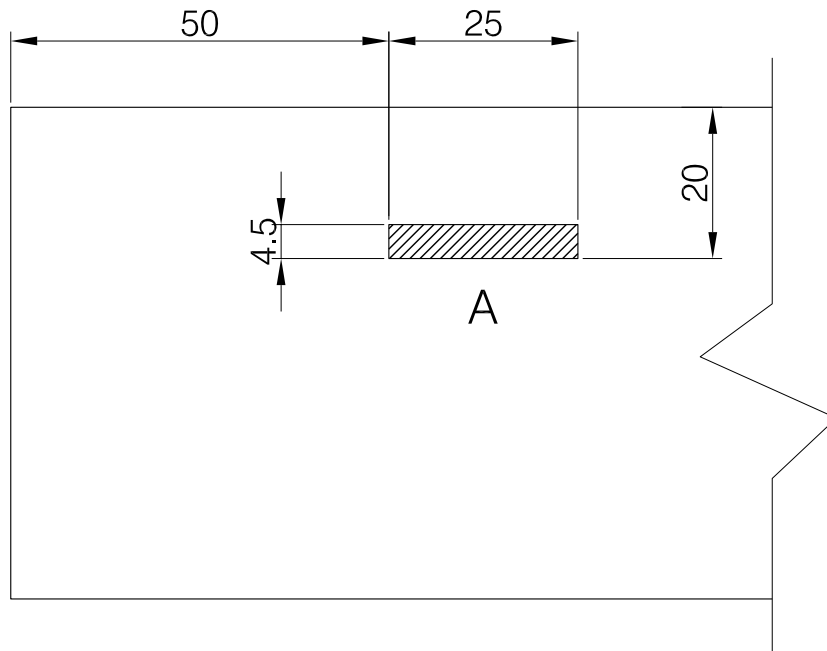


CS863
COM7 ECO T15
STATION 3

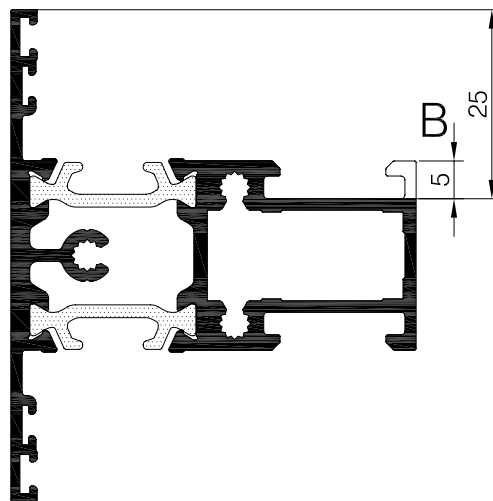
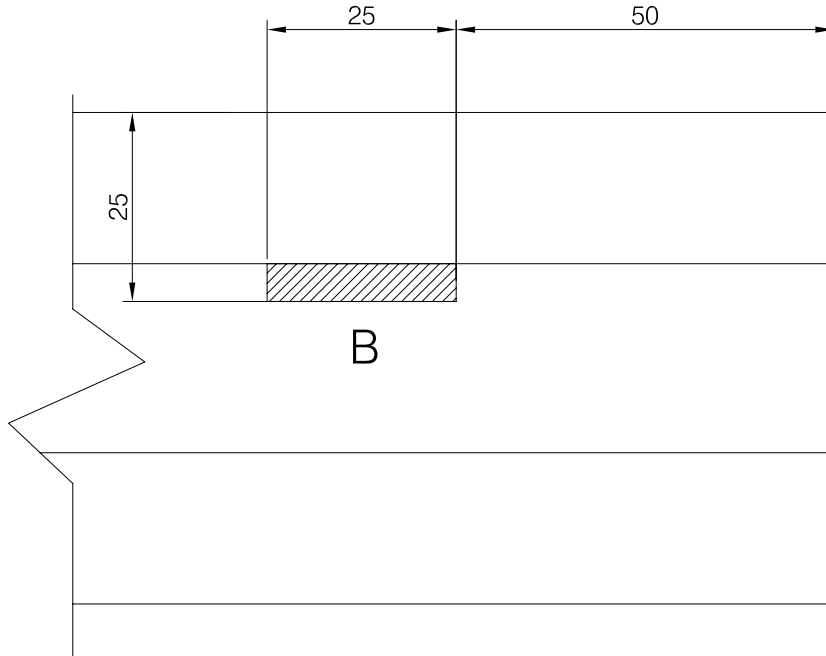
&

COM7 ECO T15
STATION 5

Copyright & ownership of this drawing is vested in COMAR Architectural Aluminium Systems, whose prior written consent is required for its use, reproduction or publication to any third party. All other rights reserved. Subject to modifications without prior notification



Copyright & ownership of this drawing is vested in COMAR Architectural Aluminium Systems, whose prior written consent is required for its use, reproduction or publication to any third party. All other rights reserved. Subject to modifications without prior notification



CS867
COM7 ECO T15
STATION 7

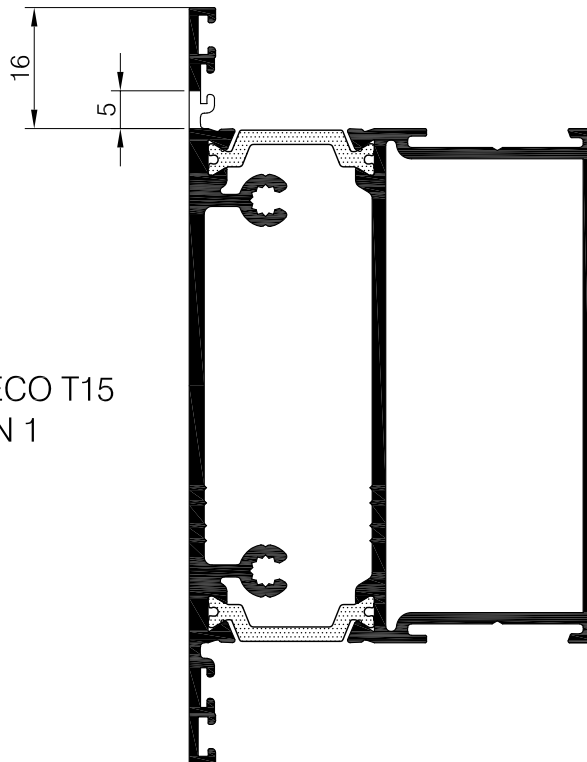
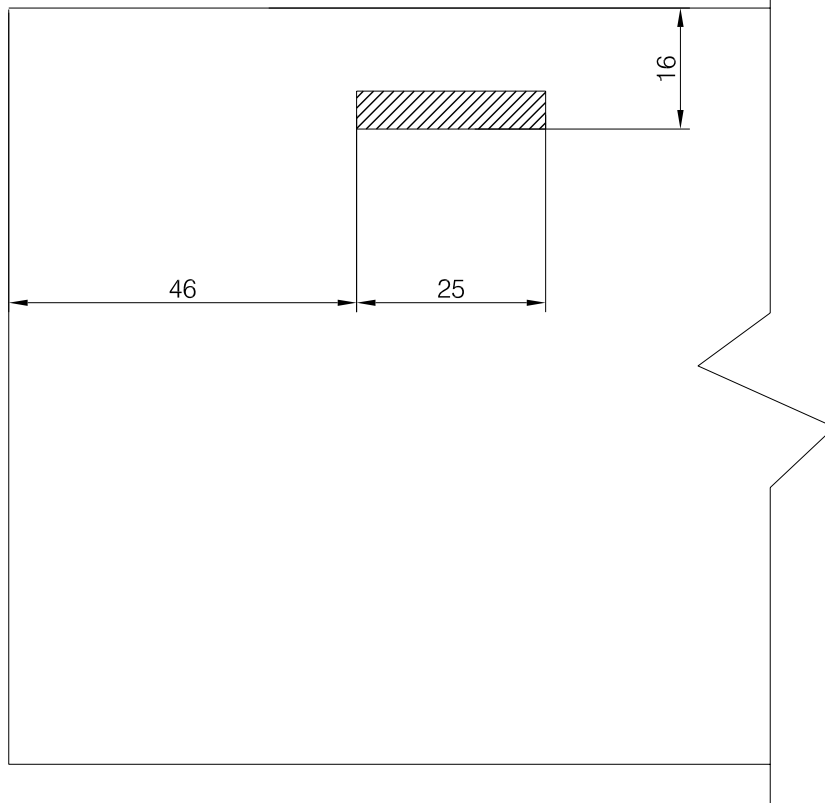
Copyright & ownership of this drawing is vested in COMAR Architectural Aluminium Systems, whose prior written consent is required for its use, reproduction or publication to any third party. All other rights reserved. Subject to modifications without prior notification

comar 7P.i

TITLE **POLYAMIDE INSULATED ECO DOORS
THERMALLY EFFICIENT ECO DOOR SYSTEM**

SHEET No.
ECO 4.08

SUB TITLE **PUNCH TOOLING
DRAINAGE - CS866**



CS866
COM7 ECO T15
STATION 1

Copyright & ownership of this drawing is vested in COMAR Architectural Aluminium Systems, whose prior written consent is required for its use, reproduction or publication to any third party. All other rights reserved. Subject to modifications without prior notification

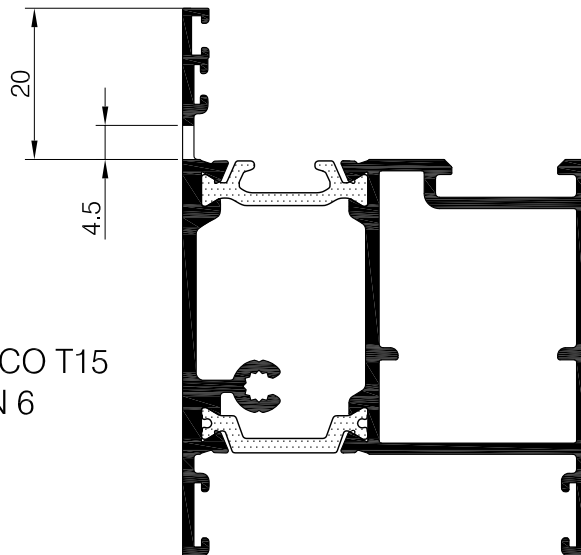
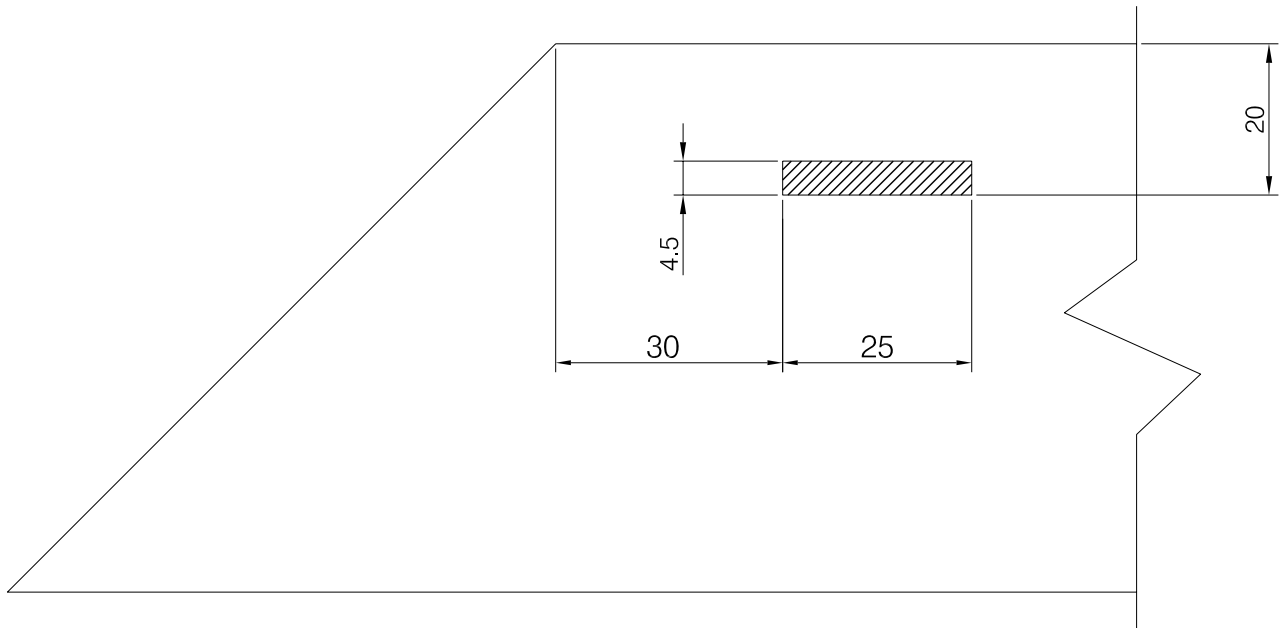


comar
ARCHITECTURAL ALUMINIUM SYSTEMS



THE PARKSIDE GROUP LTD
UNIT 5 ° THE WILLOW CENTRE
17 WILLOW LANE ° MITCHAM
SURREY ° CR4 4NX
Tel: 020-8685 9685 Fax: 020-8687 1142
Email: technical@parksidegrp.co.uk
Web Site: <http://www.comar-alu.co.uk>

SCALE	1:1	© A4
DATE	18/06/2010	
DRAWN	OP/DGN	
DRG. No.	C7Pi-RB-EC 4.08 R1	



CS868
COM7 ECO T15
STATION 6

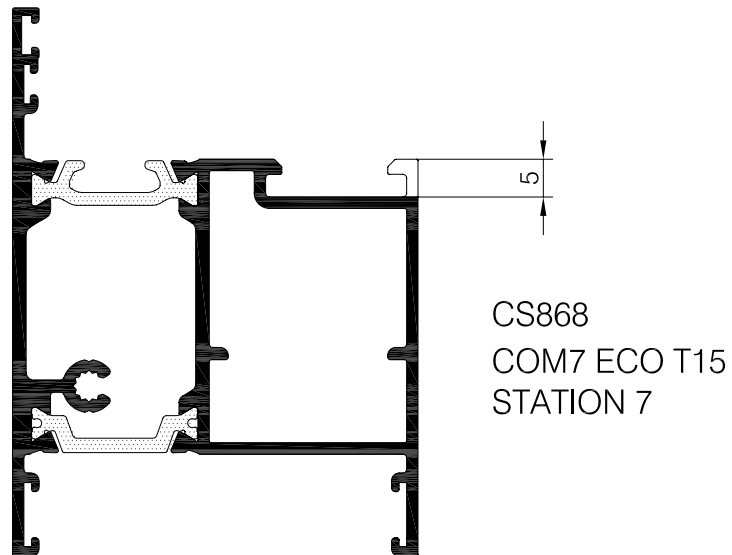
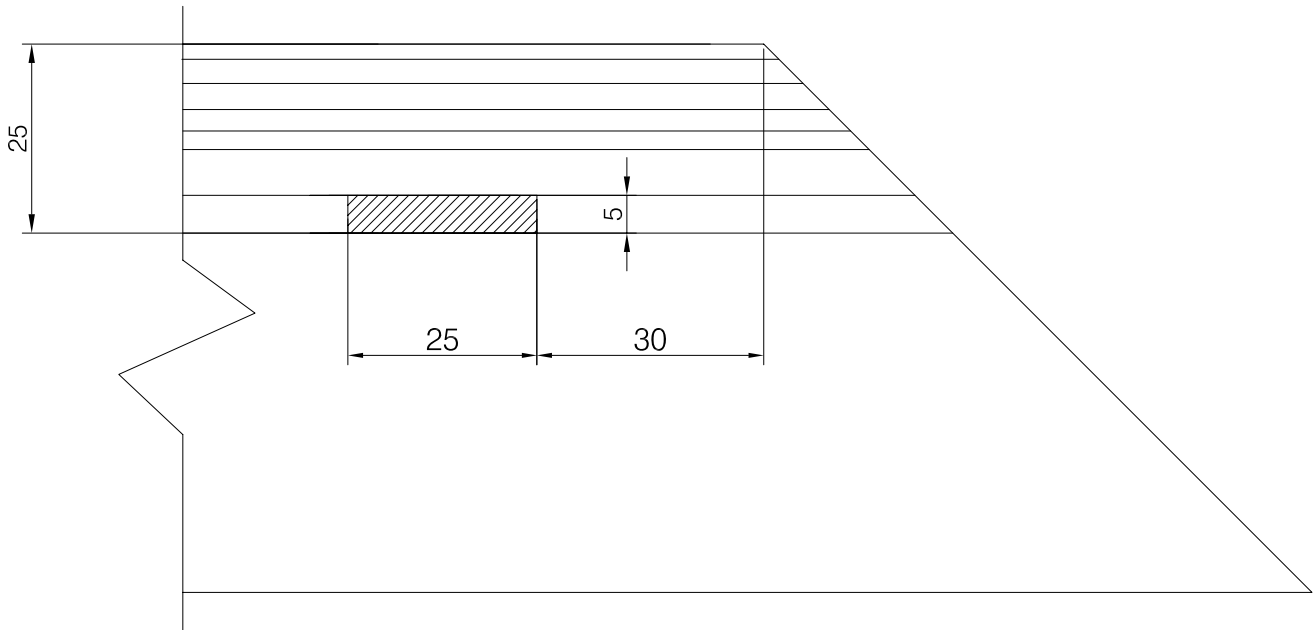
Copyright & ownership of this drawing is vested in COMAR Architectural Aluminium Systems, whose prior written consent is required for its use, reproduction or publication to any third party. All other rights reserved. Subject to modifications without prior notification

comar7P.i

TITLE **POLYAMIDE INSULATED ECO DOORS
THERMALLY EFFICIENT ECO DOOR SYSTEM**

SHEET No.
ECO 4.10

SUB TITLE **PUNCH TOOLING
DRAINAGE - CS868**



CS868
COM7 ECO T15
STATION 7



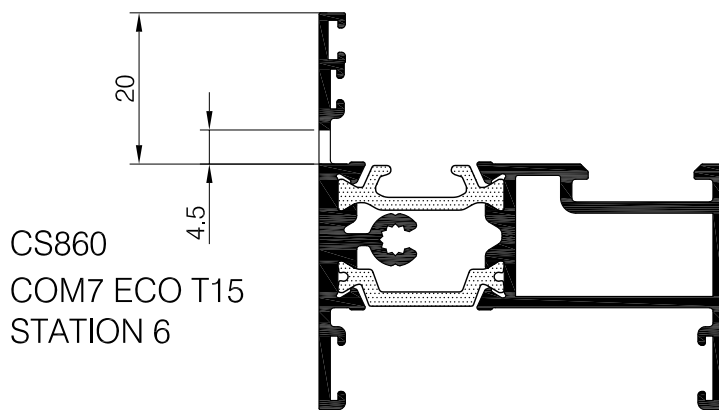
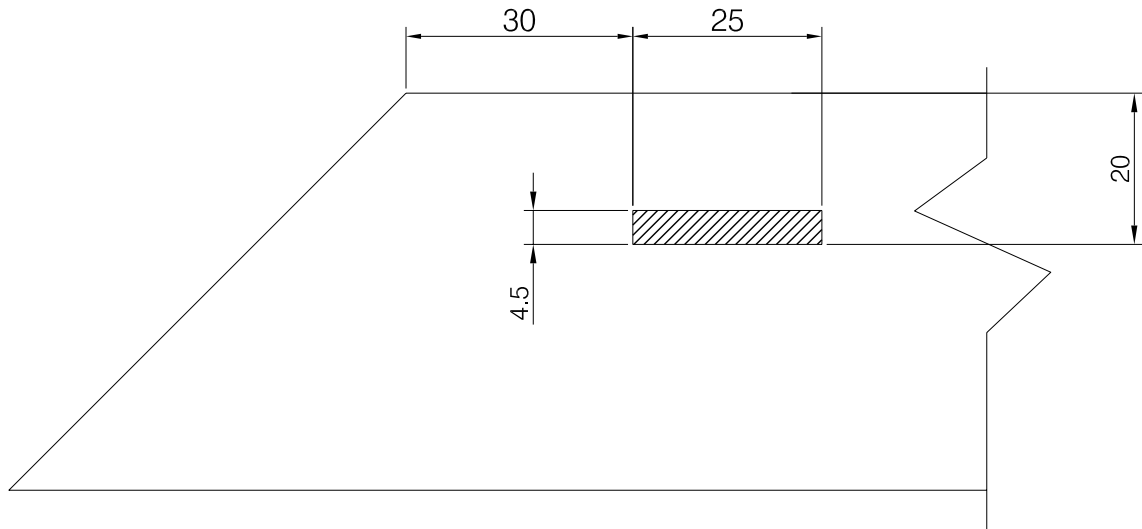
comar
ARCHITECTURAL ALUMINIUM SYSTEMS



Copyright & ownership of this drawing is vested in COMAR Architectural Aluminium Systems, whose prior written consent is required for its use, reproduction or publication to any third party. All other rights reserved. Subject to modifications without prior notification

THE PARKSIDE GROUP LTD
UNIT 5 ° THE WILLOW CENTRE
17 WILLOW LANE ° MITCHAM
SURREY ° CR4 4NX
Tel: 020-8685 9685 Fax: 020-8687 1142
Email: technical@parksidegrp.co.uk
Web Site: <http://www.comar-alu.co.uk>

SCALE	1: 2	© A4
DATE	29/01/2010	
DRAWN	OP /CAD	
DRG. No.	C7-Pi-RB-EC 4.10	



CS860
COM7 ECO T15
STATION 6

Copyright & ownership of this drawing is vested in COMAR Architectural Aluminium Systems, whose prior written consent is required for its use, reproduction or publication to any third party. All other rights reserved. Subject to modifications without prior notification

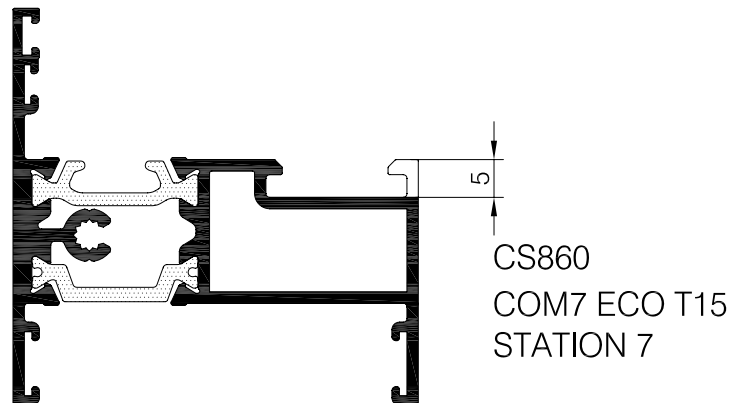
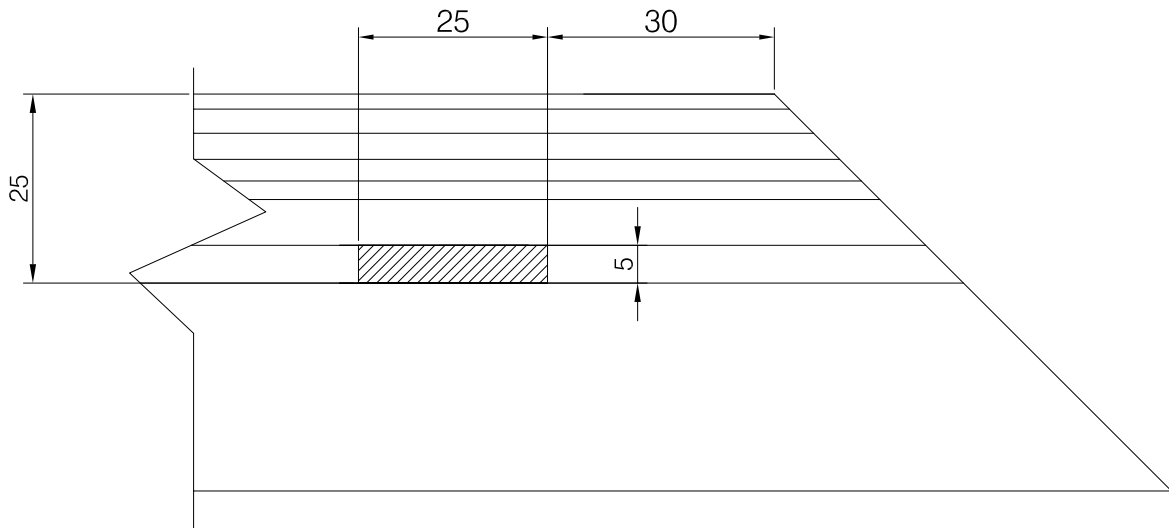
SCALE	1:1	© A4
DATE	18/06/2010	
DRAWN	OP/DGN	
DRG. No.	C7Pi-RB-EC 4.11 R1	

comar7P.i

TITLE **POLYAMIDE INSULATED ECO DOORS
THERMALLY EFFICIENT ECO DOOR SYSTEM**

SUB TITLE **PUNCH TOOLING
DRAINAGE - CS860**

SHEET No.
ECO 4.12



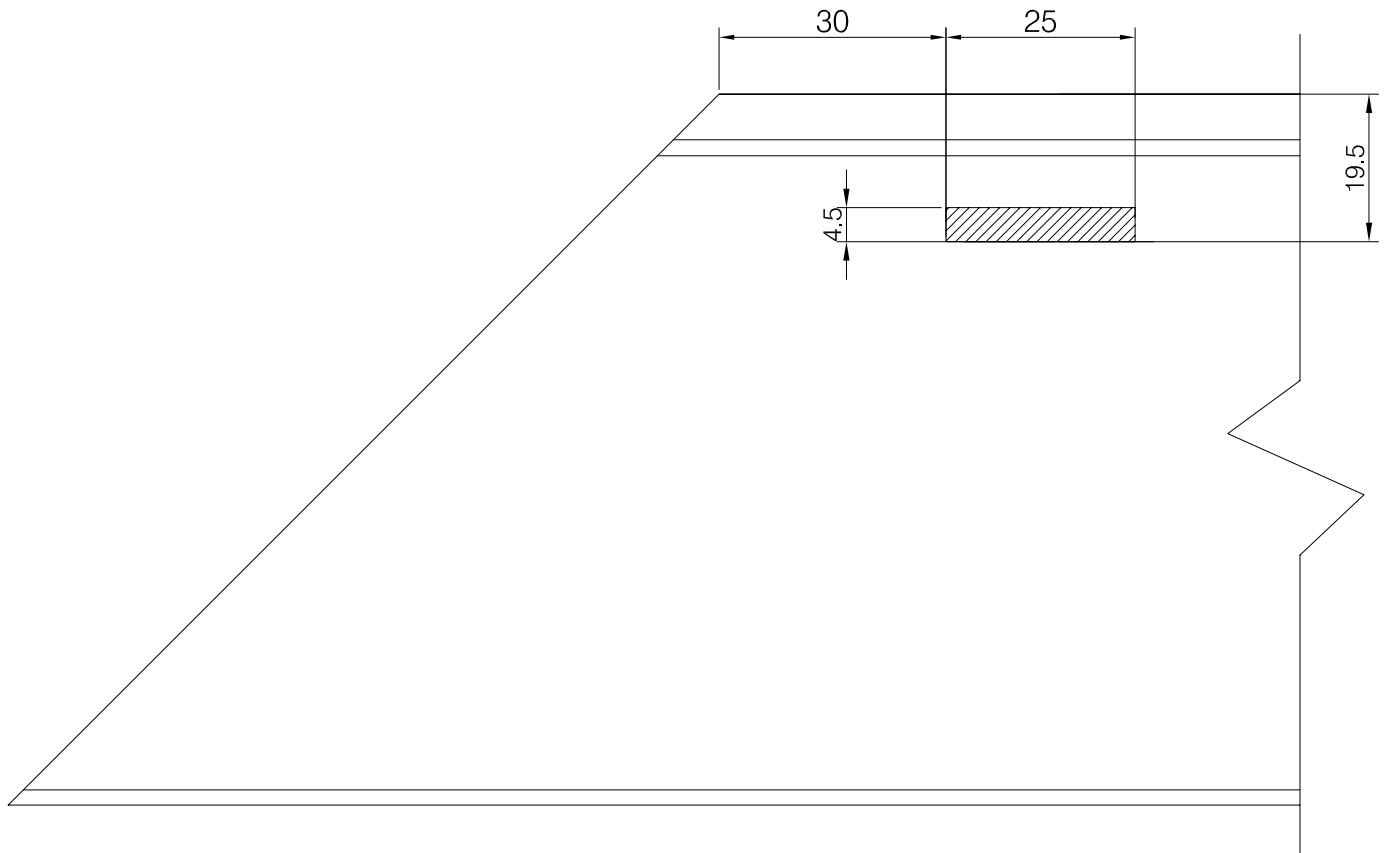
comar
ARCHITECTURAL ALUMINIUM SYSTEMS



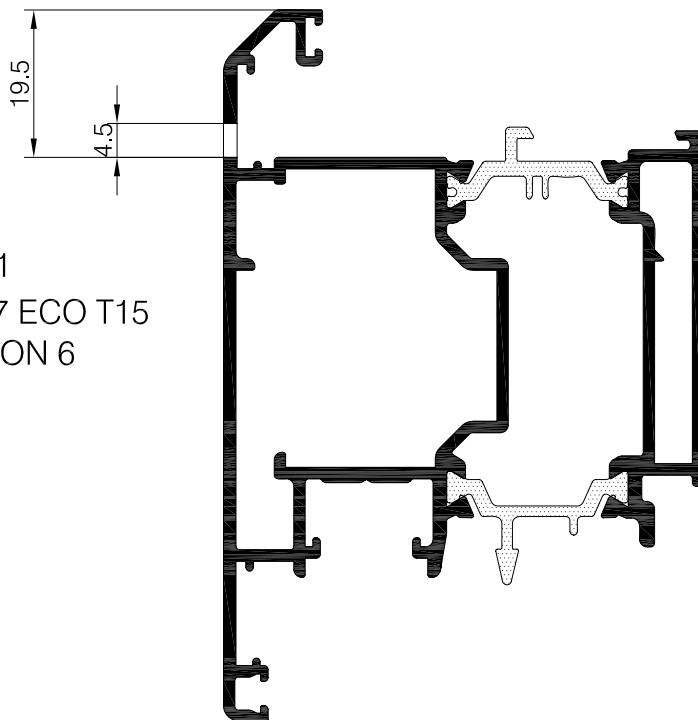
Copyright & ownership of this drawing is vested in COMAR Architectural Aluminium Systems, whose prior written consent is required for its use, reproduction or publication to any third party. All other rights reserved. Subject to modifications without prior notification

THE PARKSIDE GROUP LTD
UNIT 5 ° THE WILLOW CENTRE
17 WILLOW LANE ° MITCHAM
SURREY ° CR4 4NX
Tel: 020-8685 9685 Fax: 020-8687 1142
Email: technical@parksidegrp.co.uk
Web Site: <http://www.comar-alu.co.uk>

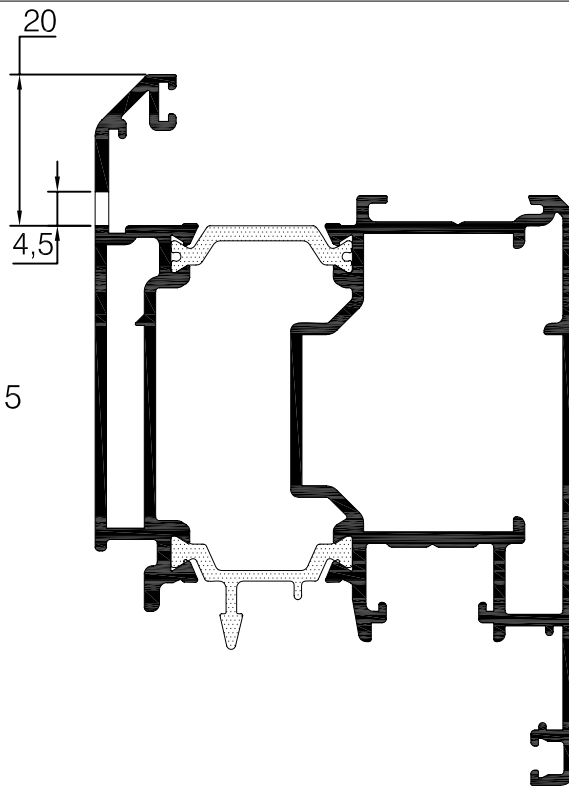
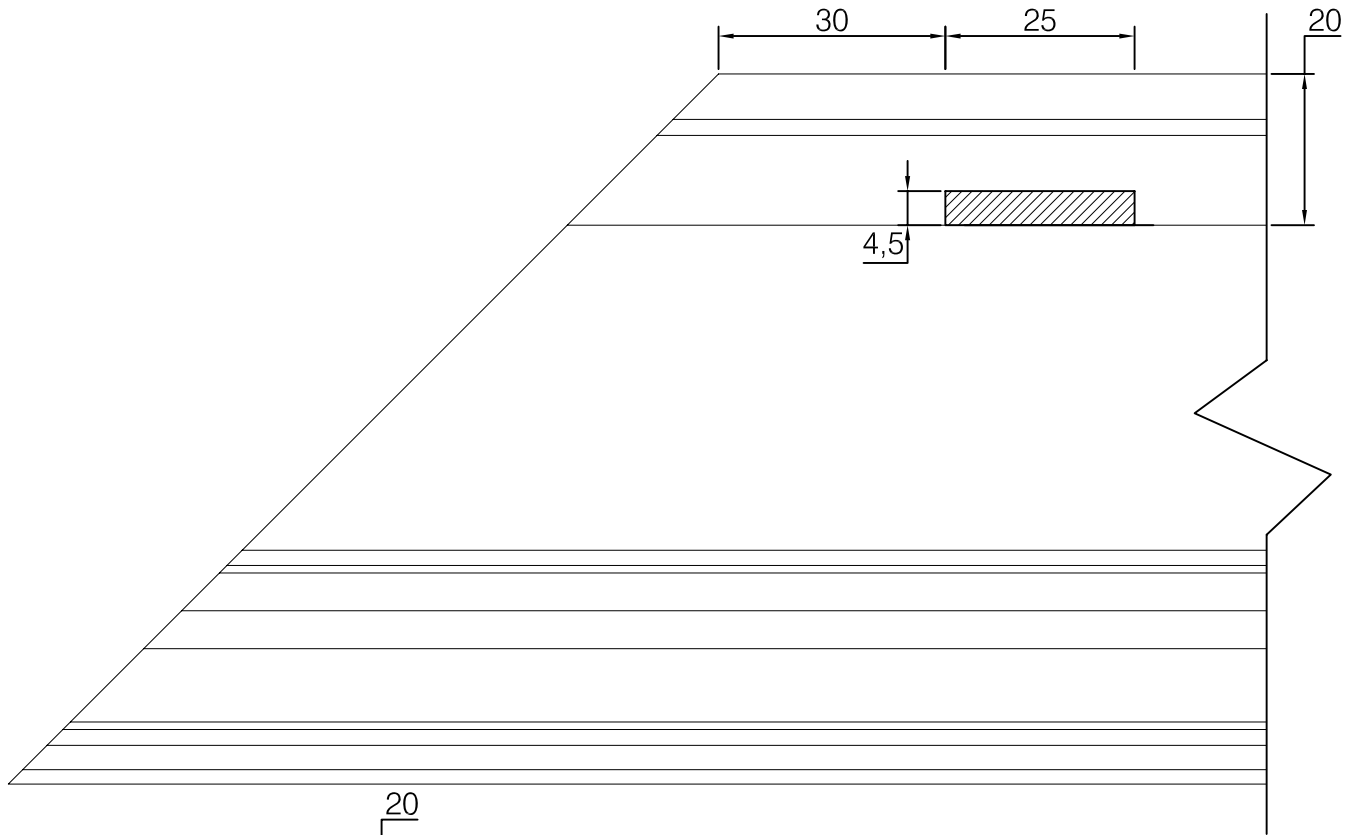
SCALE	1:1	© A4
DATE	29/01/2010	
DRAWN	OP /CAD	
DRG. No.	C7-Pi-RB-EC 4.12	



CS861
COM7 ECO T15
STATION 6

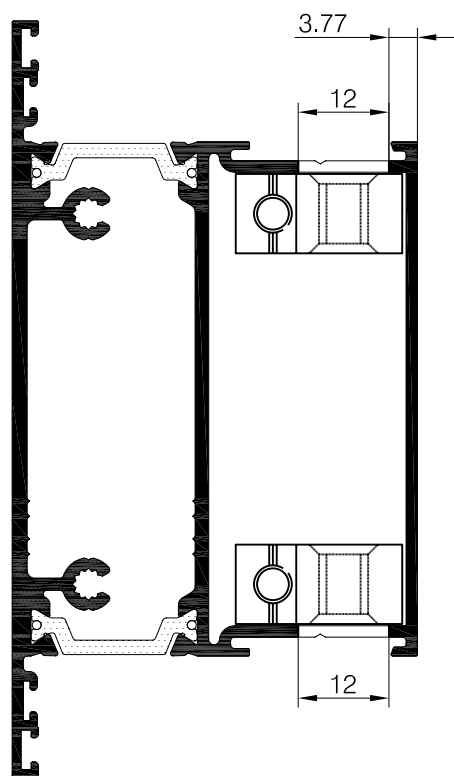
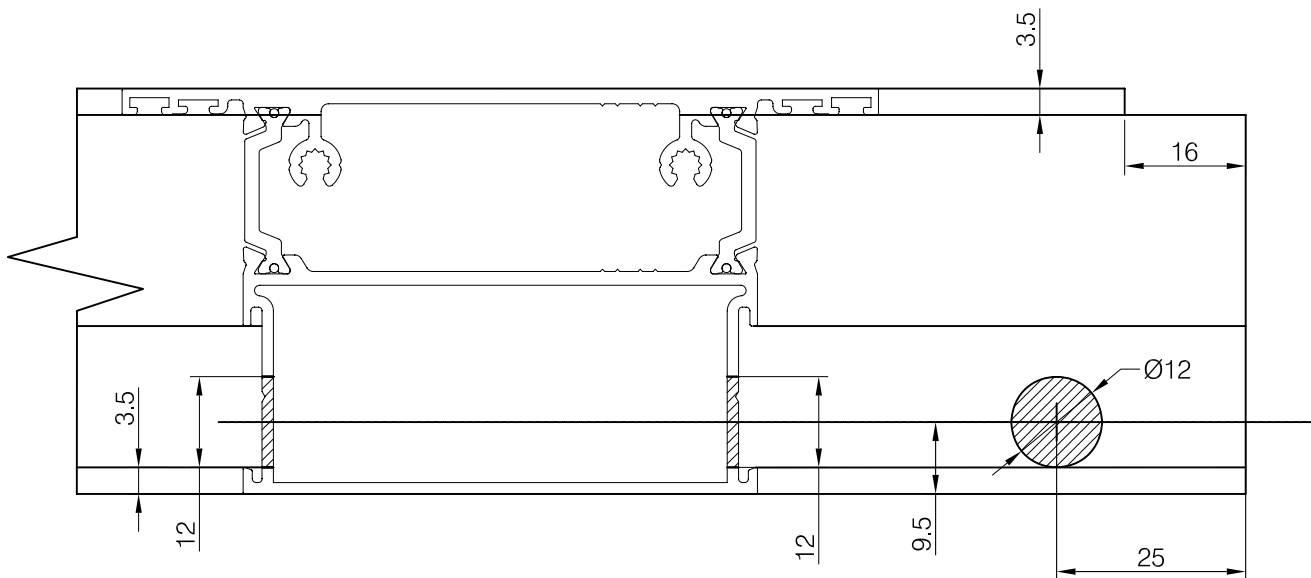


Copyright & ownership of this drawing is vested in COMAR Architectural Aluminium Systems, whose prior written consent is required for its use, reproduction or publication to any third party. All other rights reserved. Subject to modifications without prior notification



CS863
COM7 ECO T15
STATION 6

Copyright & ownership of this drawing is vested in COMAR Architectural Aluminium Systems, whose prior written consent is required for its use, reproduction or publication to any third party. All other rights reserved. Subject to modifications without prior notification



CS866
COM7 ECO T15
STATION 1

Copyright & ownership of this drawing is vested in COMAR Architectural Aluminium Systems, whose prior written consent is required for its use, reproduction or publication to any third party. All other rights reserved. Subject to modifications without prior notification

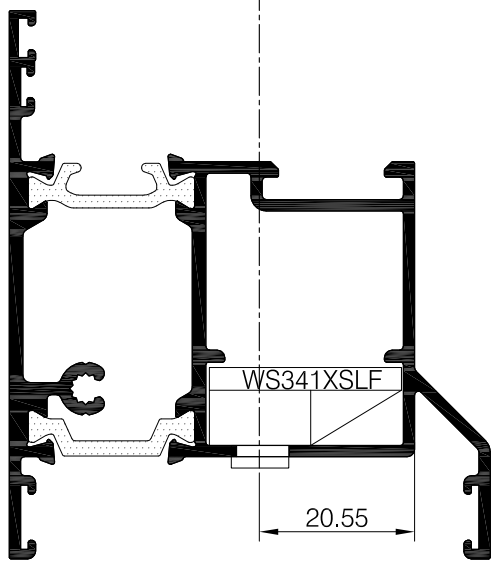
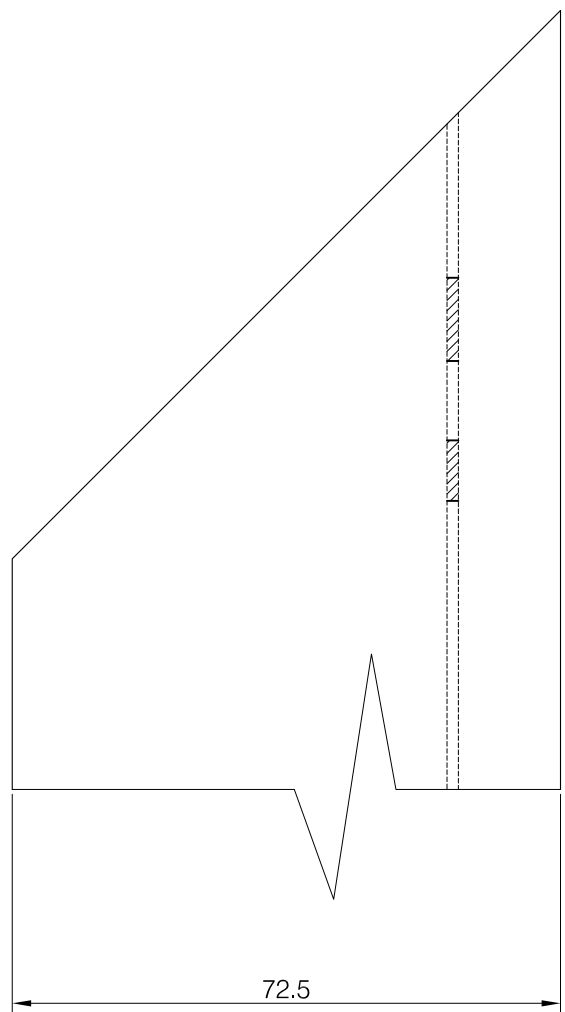
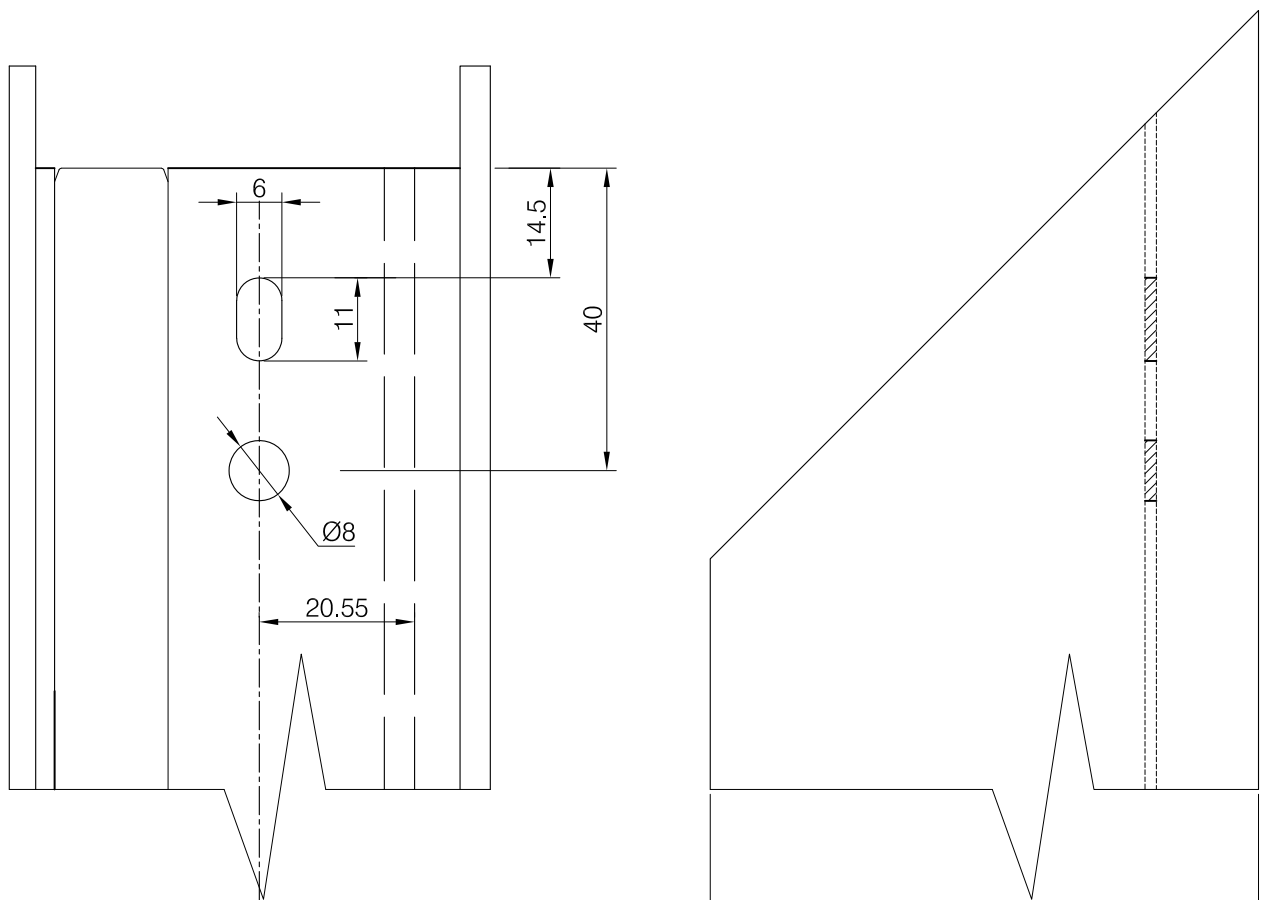
SCALE	1:1	© A4
DATE	29/01/2010	
DRAWN	OP /CAD	
DRG. No.	C7-Pi-RB-EC 4.15	

comar 7P.i

TITLE **POLYAMIDE INSULATED ECO DOORS
THERMALLY EFFICIENT ECO DOOR SYSTEM**

SUB TITLE **PUNCH TOOLING
CLEAT PREPARATION - CS5868**

SHEET No.
ECO 4.16



CS5868
COM5 - T28
STATION 1 & 3 (L&R)

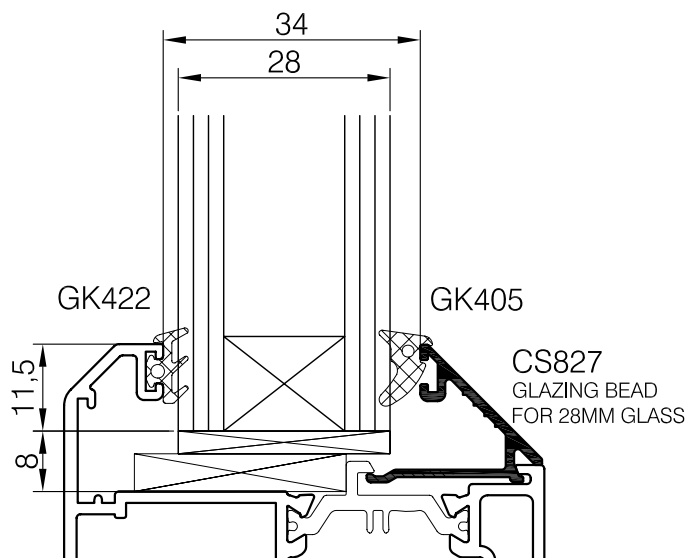
Copyright & ownership of this drawing is vested in COMAR Architectural Aluminium Systems, whose prior written consent is required for its use, reproduction or publication to any third party. All other rights reserved. Subject to modifications without prior notification



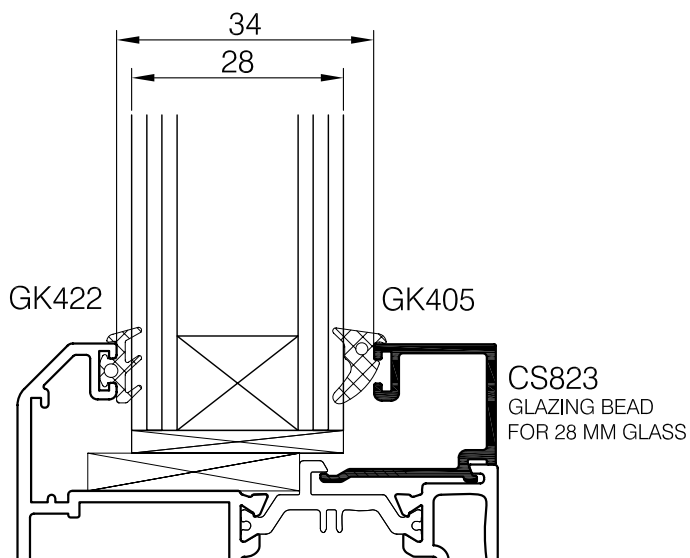
THE PARKSIDE GROUP LTD
UNIT 5 ° THE WILLOW CENTRE
17 WILLOW LANE ° MITCHAM
SURREY ° CR4 4NX
Tel: 020-8685 9685 Fax: 020-8687 1142
Email: technical@parksidegrp.co.uk
Web Site: http://www.comar-alu.co.uk

SCALE	1:1	@ A4
DATE	03/12/2019	
DRAWN	0P /SD	
DRG. No.	C7-Pi-RB-EC 4.16R0	

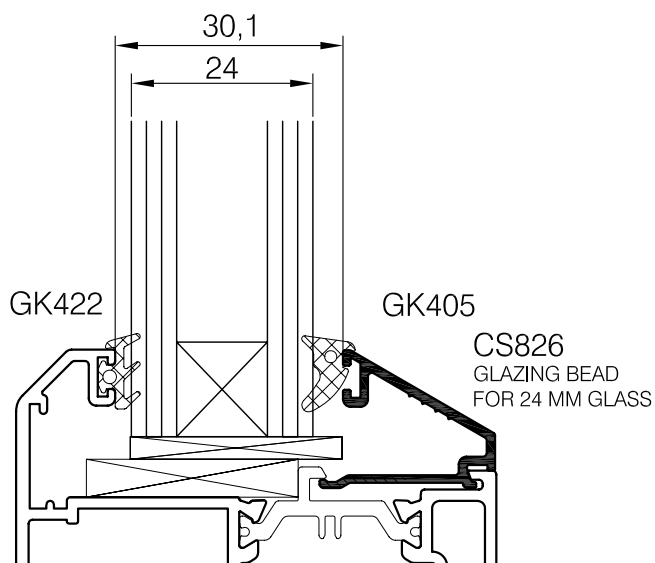
TITLE	POLYAMIDE INSULATED ECO DOORS THERMALLY EFFICIENT ECO DOOR SYSTEM	SHEET No. ECO 5.01
SUB TITLE	GLAZING OPTIONS (24mm, 28mm, 32mm) CS861, CS863, CS866	



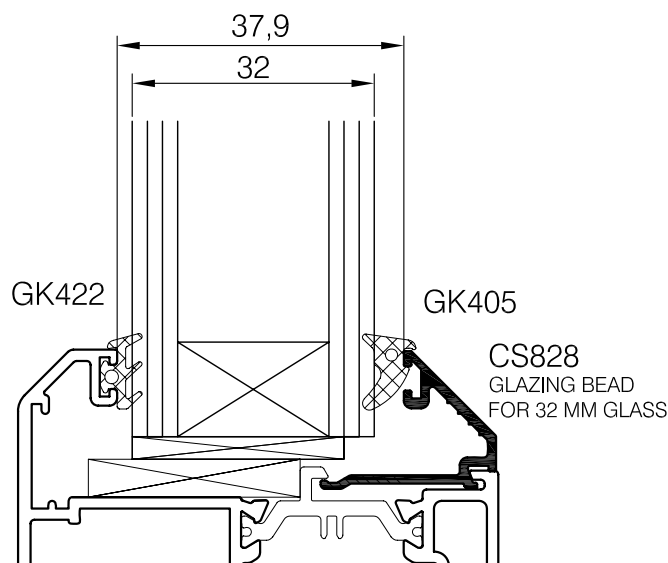
CS861/CS863/CS866



CS861/CS863/CS866



CS861/CS863/CS866



CS861/CS863/CS866

IMPORTANT NOTE

DUE TO PRODUCTION TOLERANCES IN ALUMINIUM, PAINTING/
ANODISING, GLASS AND GASKETS, CHECK AND TRIAL
BEFORE PROCEEDING WITH BULK
PRODUCTION.

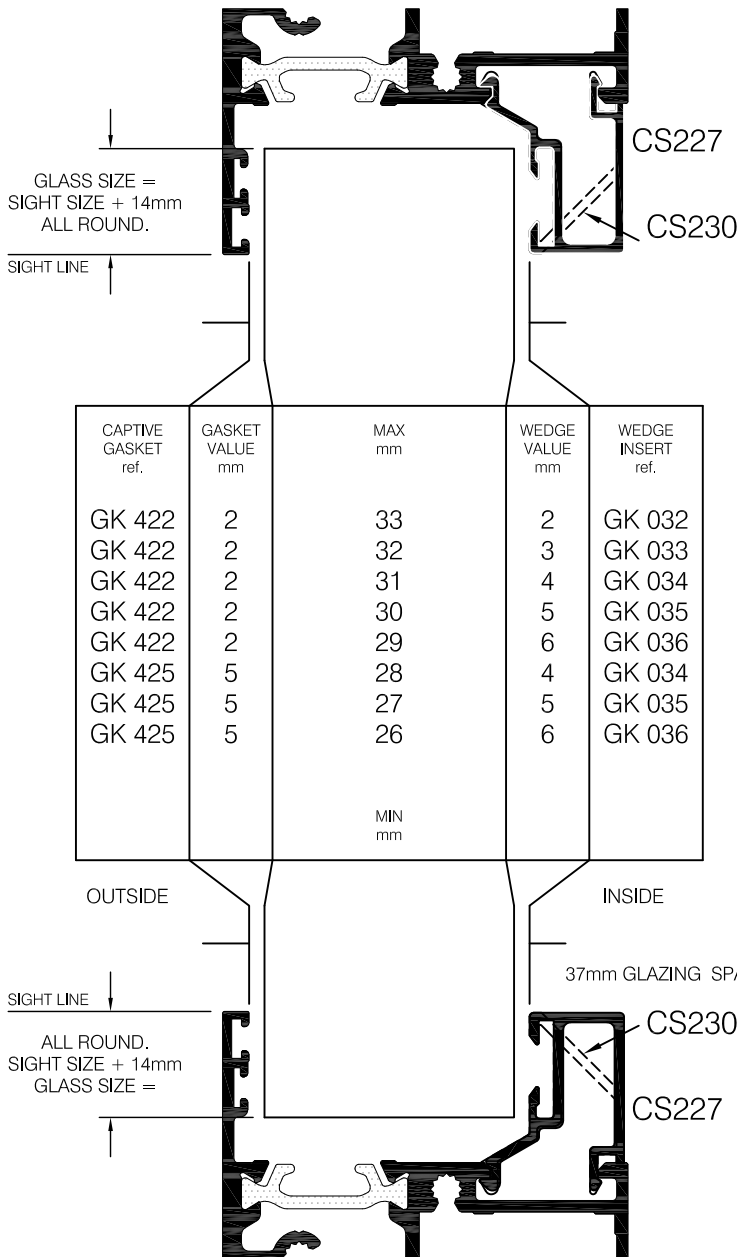


SCALE	1:1	© A4
DATE	29/01/2010	
DRAWN	OP/CAD	
DRG. No.	C7-Pi-RB-EC 5.01	

CS860 / CS865 / CS867 / CS868

DOUBLE GLAZED DOOR SYSTEM WITH SLOPING (COMMERCIAL) BEAD.

- ORDER OF ASSEMBLY:-
1. ARROW HEAD CAPTIVE GASKET.
 2. GLASS OR PANEL.
 3. CS227/CS230 BEAD.
 4. INSERT WEDGE GASKET.



TO ENSURE SATISFACTORY PRODUCT PERFORMANCE, BOTTOM CORNERS AND INTERNAL GASKET CORNER JOINTS SHOULD BE SILICONE SEALED.

WHEN FITTING OUTSIDE BEADS, PREPARE DRAINAGE SLOTS TO COINCIDE WITH THOSE IN THE FRAME PROFILE.

CS860 / CS865 / CS867 / CS868

IMPORTANT NOTE

DUE TO PRODUCTION TOLERANCES IN ALUMINIUM, PAINTING/ ANODISING, GLASS AND GASKETS, CHECK AND TRIAL ABOVE FORMULAE BEFORE PROCEEDING WITH BULK PRODUCTION.

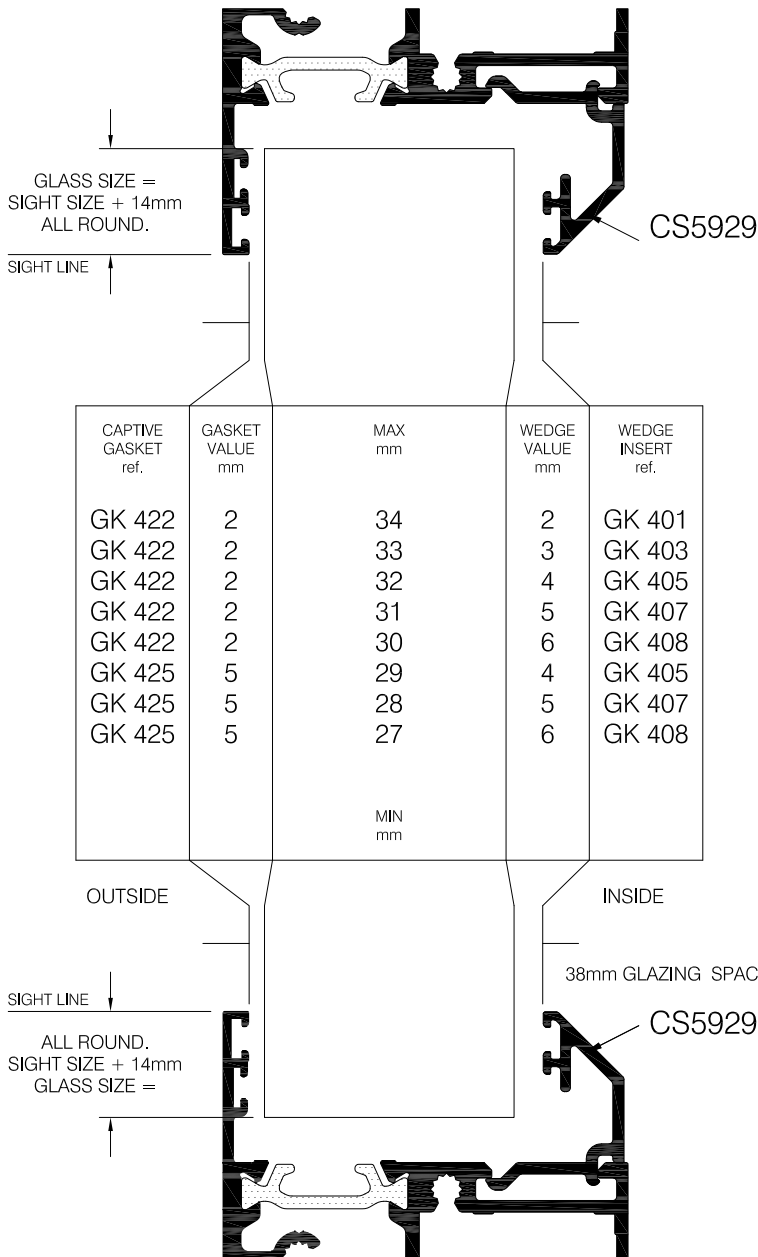


SCALE	NTS	@ A4
DATE	11/10/2018	
DRAWN	OP/BB	
DRG. No.	C7-Pi-RB-EC 5.02R1	

CS860 / CS865 / CS867 / CS868

DOUBLE GLAZED DOOR SYSTEM WITH SLOPING (COMMERCIAL) BEAD.

- ORDER OF ASSEMBLY:-
1. ARROW HEAD CAPTIVE GASKET.
 2. GLASS OR PANEL.
 3. CS227/CS230 BEAD.
 4. INSERT WEDGE GASKET.



TO ENSURE SATISFACTORY PRODUCT PERFORMANCE, BOTTOM CORNERS AND INTERNAL GASKET CORNER JOINTS SHOULD BE SILICONE SEALED.

WHEN FITTING OUTSIDE BEADS, PREPARE DRAINAGE SLOTS TO COINCIDE WITH THOSE IN THE FRAME PROFILE.

CS860 / CS865 / CS867 / CS868

IMPORTANT NOTE

DUE TO PRODUCTION TOLERANCES IN ALUMINIUM, PAINTING/ ANODISING, GLASS AND GASKETS, CHECK AND TRIAL ABOVE FORMULAE BEFORE PROCEEDING WITH BULK PRODUCTION.

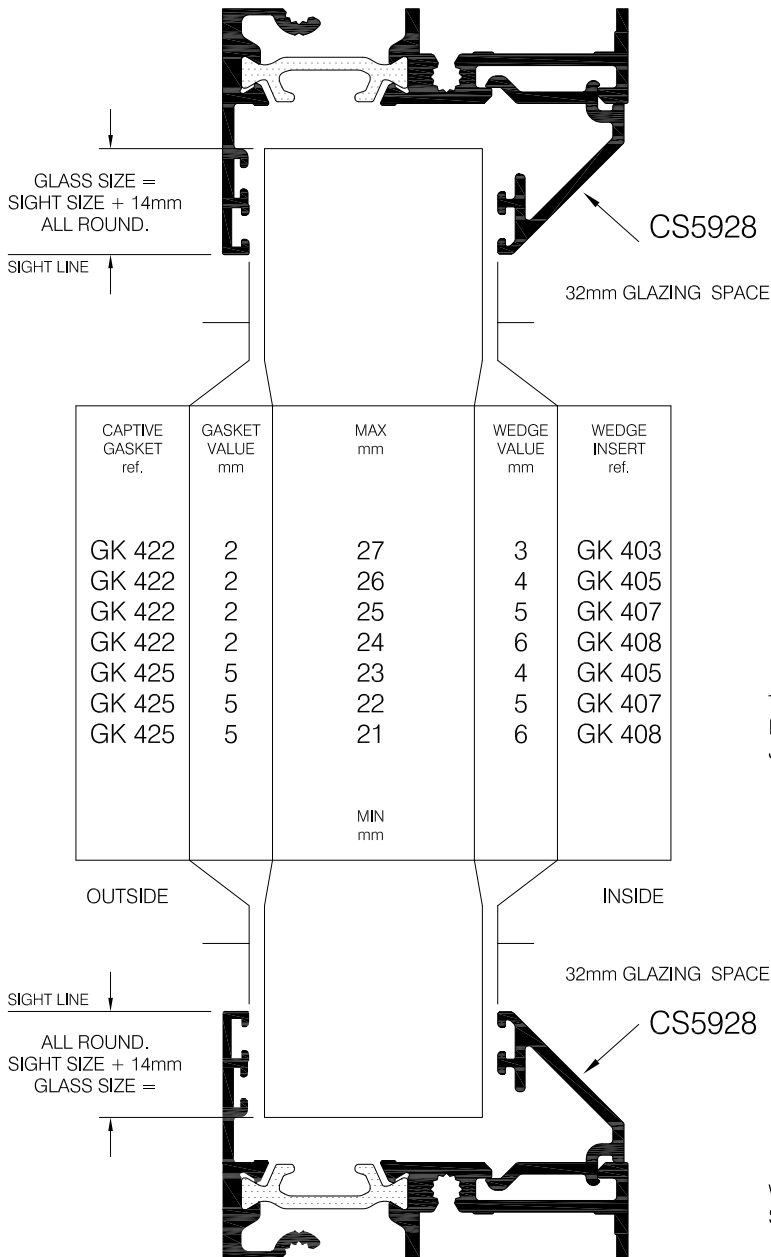


SCALE	NTS	@ A4
DATE	25/03/2015	
DRAWN	SJ/CAD	
DRG. No.	C7-Pi-RB-EC 5.03	

CS860 / CS865 / CS867 / CS868

DOUBLE GLAZED DOOR SYSTEM WITH SLOPING (COMMERCIAL) BEAD.

- ORDER OF ASSEMBLY:-
1. ARROW HEAD CAPTIVE GASKET.
 2. GLASS OR PANEL.
 3. CS5928 BEAD.
 4. INSERT WEDGE GASKET.



TO ENSURE SATISFACTORY PRODUCT PERFORMANCE, BOTTOM CORNERS AND INTERNAL GASKET CORNER JOINTS SHOULD BE SILICONE SEALED.

WHEN FITTING OUTSIDE BEADS, PREPARE DRAINAGE SLOTS TO COINCIDE WITH THOSE IN THE FRAME PROFILE.

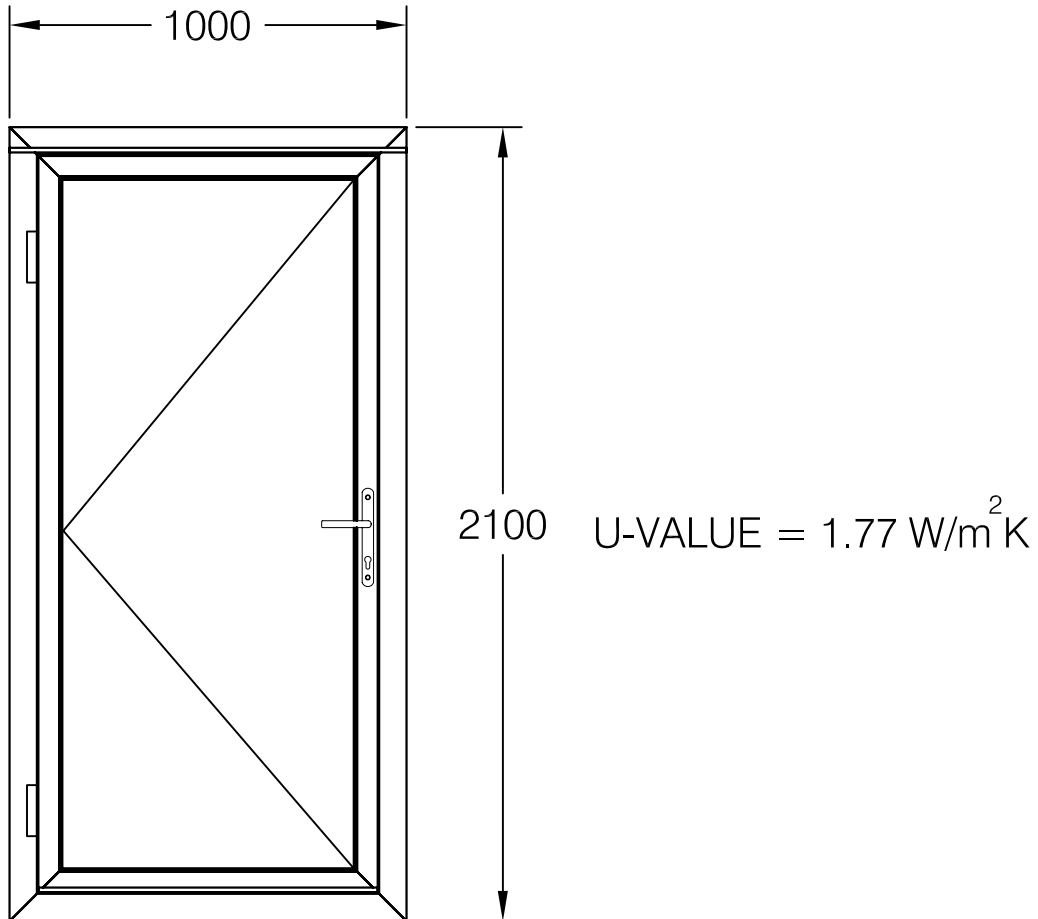
CS860 / CS865 / CS867 / CS868

IMPORTANT NOTE

DUE TO PRODUCTION TOLERANCES IN ALUMINIUM, PAINTING/ ANODISING, GLASS AND GASKETS, CHECK AND TRIAL ABOVE FORMULAE BEFORE PROCEEDING WITH BULK PRODUCTION.



SCALE	NTS	@ A4
DATE	25/03/2015	
DRAWN	SJ/CAD	
DRG. No.	C7-Pi-RB-EC 5.04	

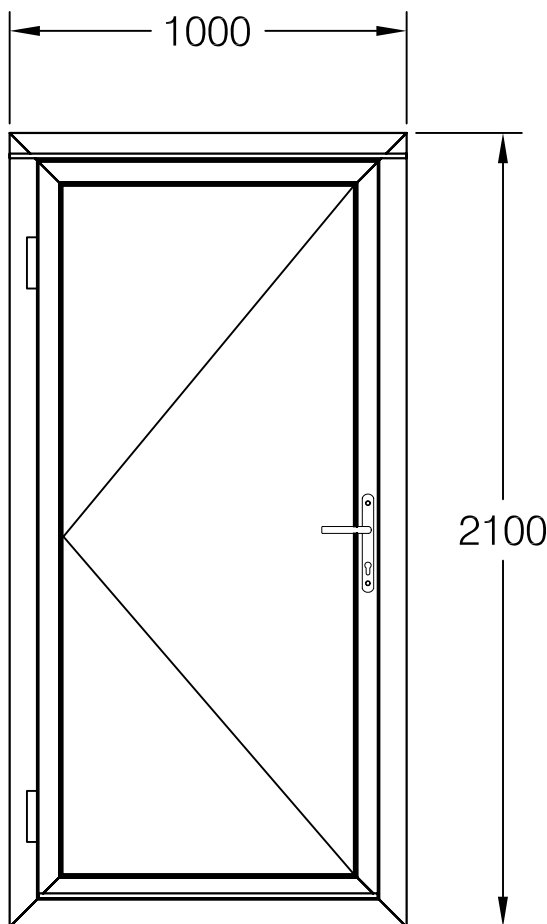


Glazing: 28mm Double Glaze (6/16/6) clear float, argon, optitherm
Centre Pane: 1.1 W/m²K (using warm edge spacer)

Door size: 1000mm x 2100mm (2.1m²)

Calculation Method: BS EN ISO 10077: Part 1





U-VALUE = 1.77 W/m²K

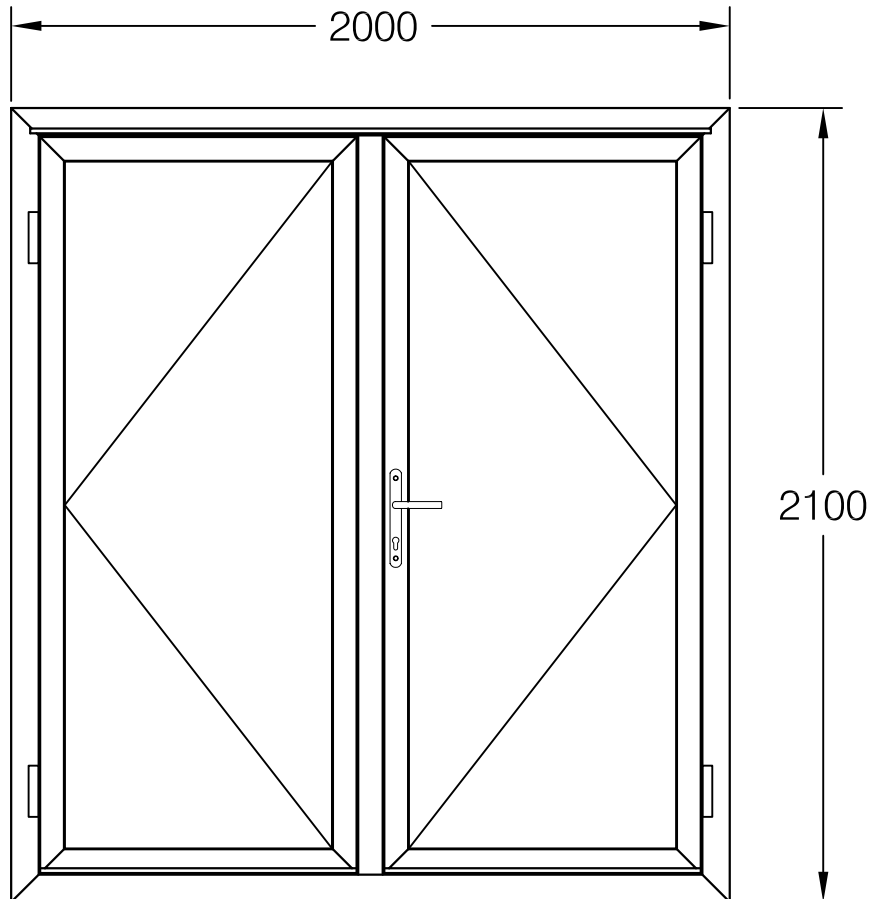
Glazing: 28mm Double Glaze (6/16/6)clear float, argon, optitherm
Centre Pane: 1.1 W/m²K (using warm edge spacer)

Door size: 1000mm x 2100mm (2.1m²)

Calculation Method: BS EN ISO 10077: Part 1



SCALE	NTS	© A4
DATE	29/01/2010	
DRAWN	KKR/CAD	
DRG. No.	C7-Pi-RB-EC-6.02	



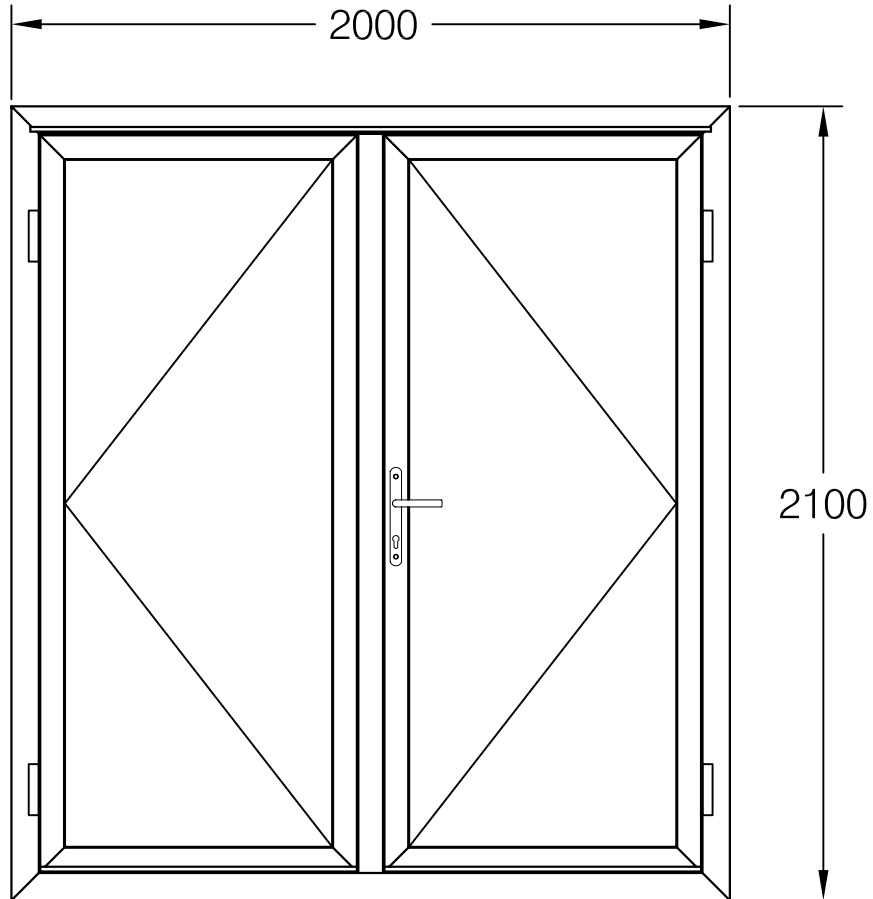
$$U\text{-VALUE} = 1.80 \text{ W/m}^2\text{K}$$

Glazing: 28mm Double Glaze (6/16/6)clear float, air, optitherm
Centre Pane: 1.1W/m²K (using warm edge spacer)

Door size: 2000mm x 2100mm (4.2m²)

Calculation Method: BS EN ISO 10077: Part 1





$$U\text{-VALUE} = 1.80 \text{ W/m}^2\text{K}$$

Glazing: 28mm Double Glaze (6/16/6) clear float, air, optitherm
Centre Pane: 1.1W/m²K (using warm edge spacer)

Door size: 2000mm x 2100mm (4.2m²)

Calculation Method: BS EN ISO 10077: Part 1



SCALE	NTS	© A4
DATE	29/01/2010	
DRAWN	KKR/CAD	
DRG. No.	C7-Pi-RB-EC-6.04	