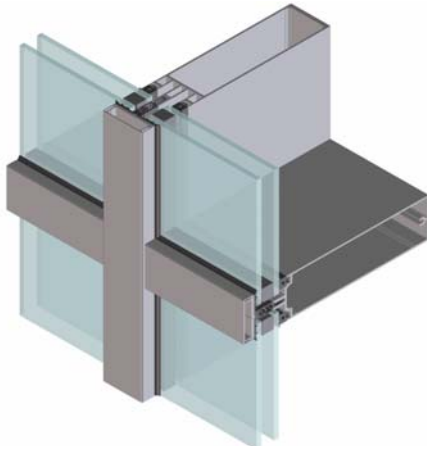
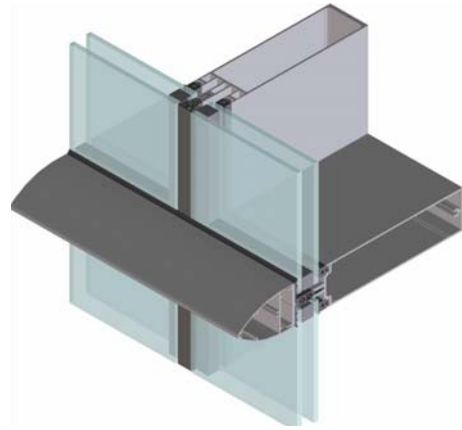


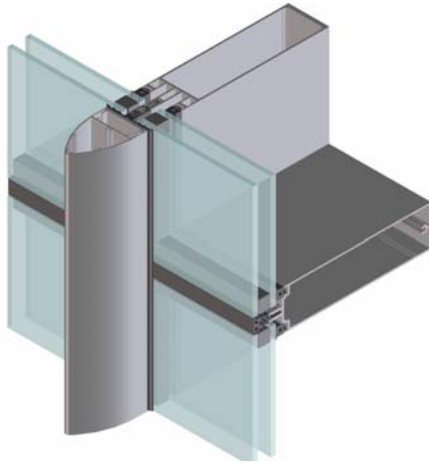
Copyright and ownership of this drawing is vested in EFT, Euro Facade Systems Ltd, whose prior written consent is required for its use, reproduction or for publication to any third party. All other rights reserved. Subject to modifications.



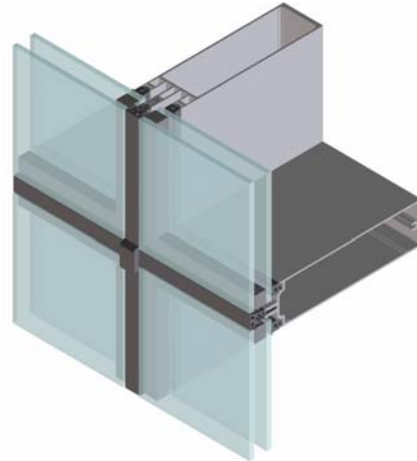
Capped



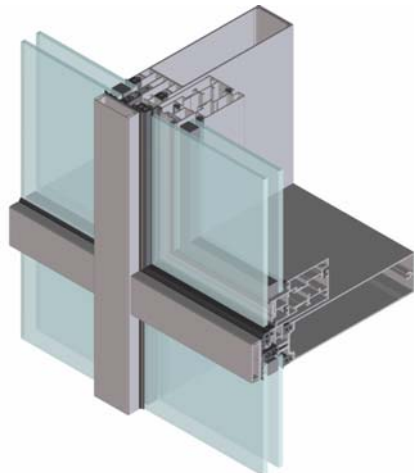
2sided SGH



2sided SGV



4sided SG



Concealed Vent

Changes reserved
Sous reserve de modifications
Änderungen vorbehalten

Issue: 04
Date :01-14



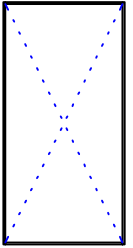
Copyright and ownership of this drawing is vested in EFT, Euro Facade Systems Ltd, whose prior written consent is required for its use, reproduction or for publication to any third party. All other rights reserved. Subject to modifications.

4

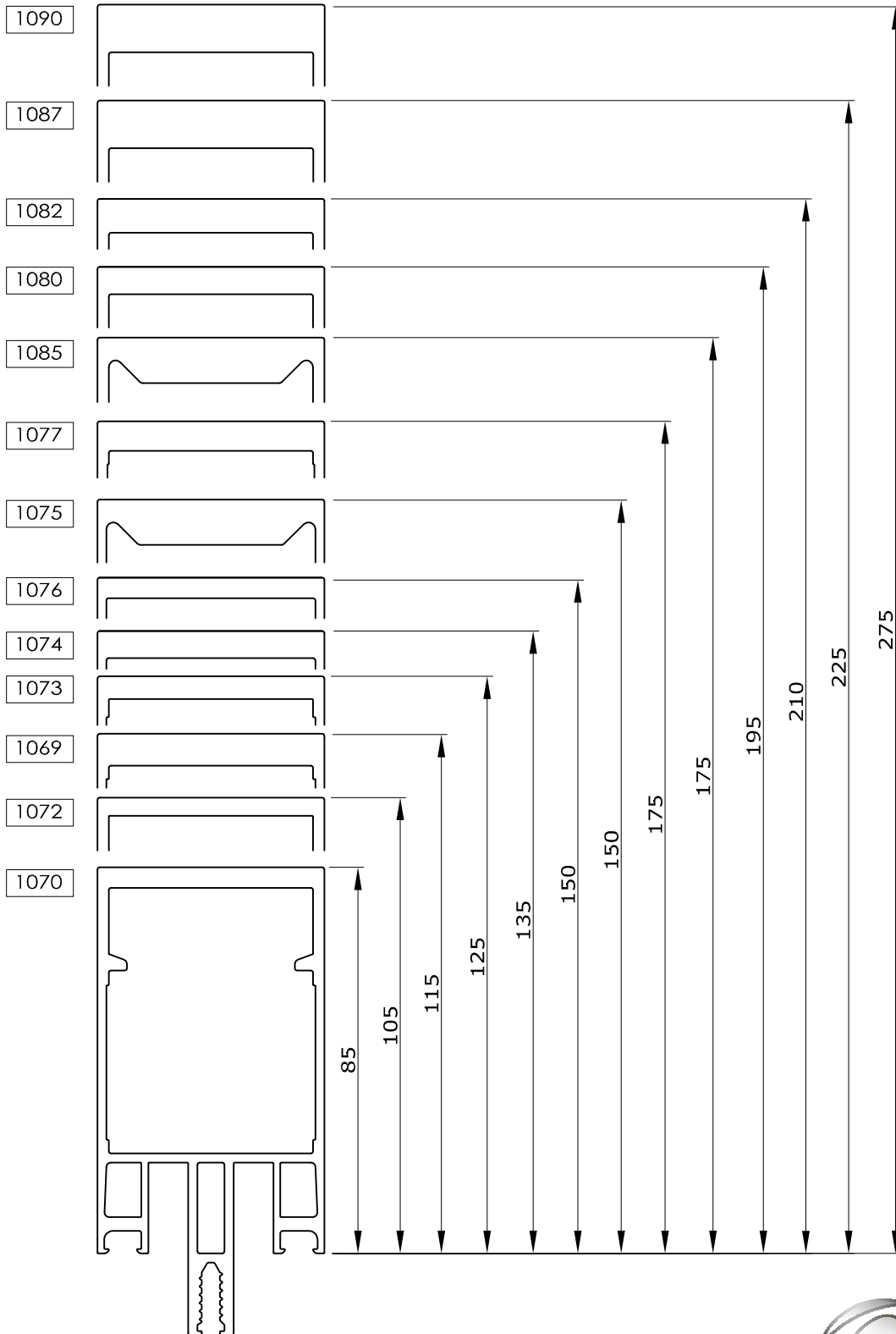
Profile sections

Mullions

Comar 6EFT



4.00



Fabricators Guide

Changes reserved
 Sous reserve de modifications
 Änderungen vorbehalten

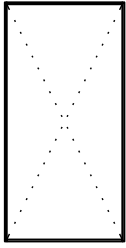
Issue: 04
 Date: 08-15

Profile sections

4

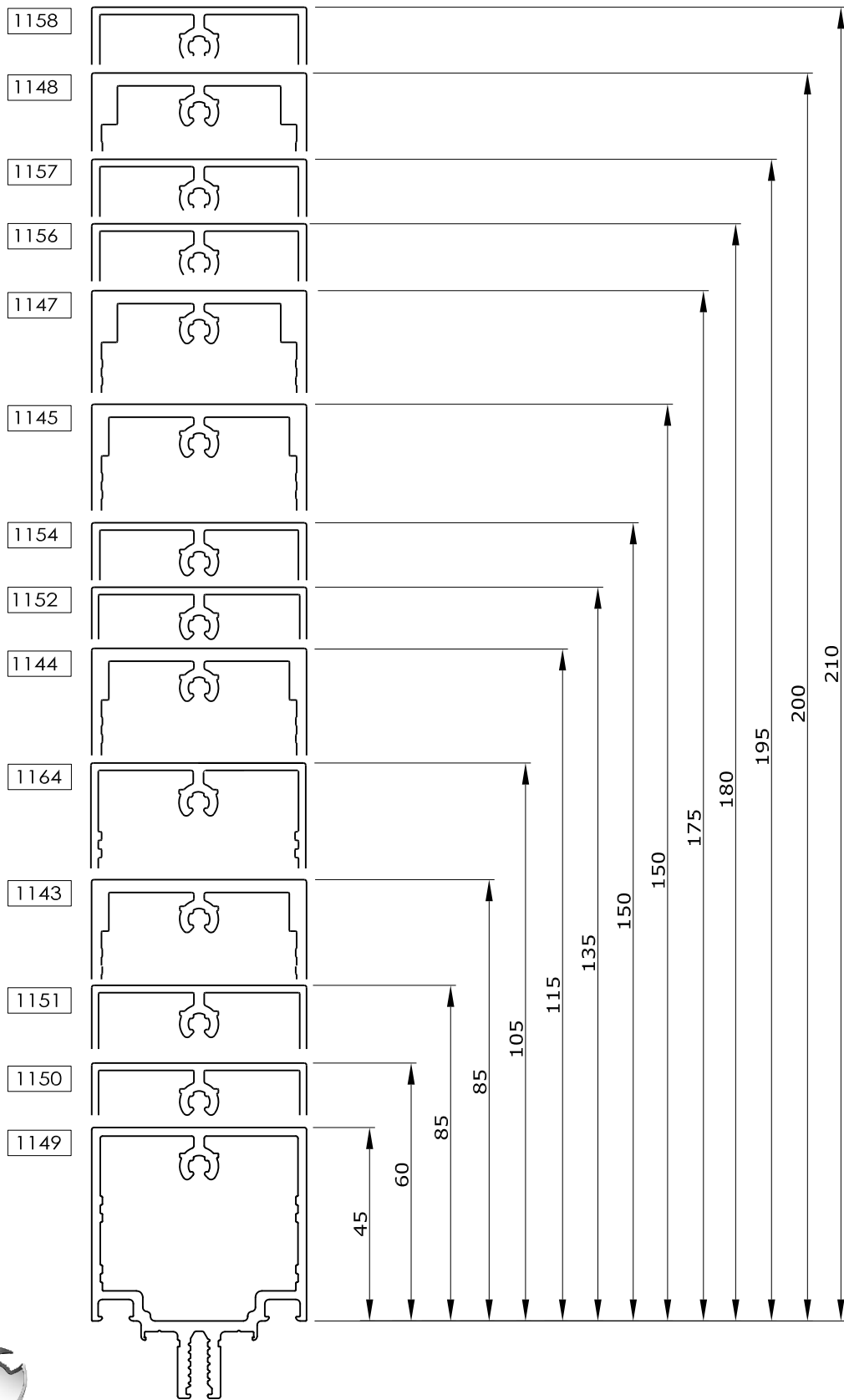
Comar 6EFT

Transoms



4.01

Fabricators Guide



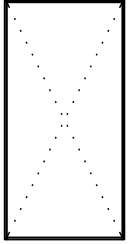
Copyright and ownership of this drawing is vested in EFT, Euro Facade Systems Ltd, whose prior written consent is required for its use, reproduction or for publication to any third party. All other rights reserved. Subject to modifications.

Copyright and ownership of this drawing is vested in EFT, Euro Facade Systems Ltd, whose prior written consent is required for its use, reproduction or for publication to any third party. All other rights reserved. Subject to modifications.

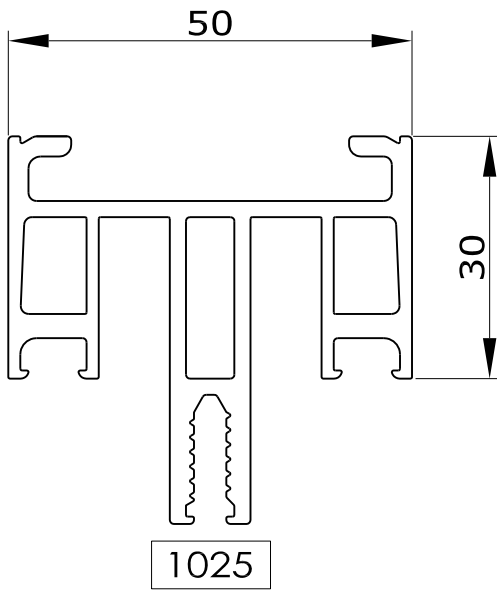
Direct fix to steel

4 Profile sections

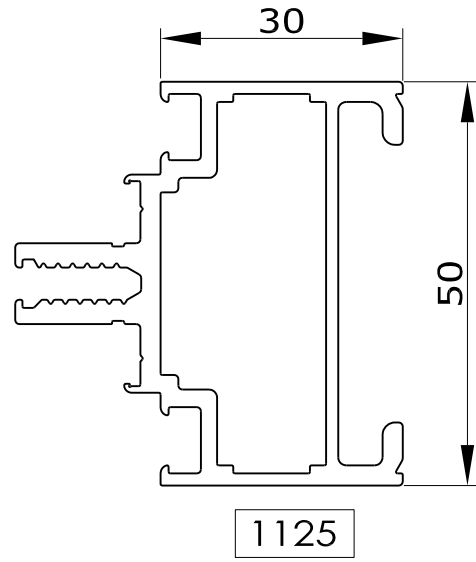
Comar 6EFT



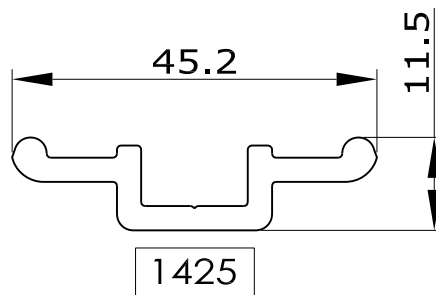
4.02



1025



1125



1425

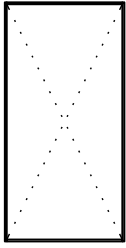
Fabricators Guide

Changes reserved
Sous reserve de modifications
Änderungen vorbehalten

Issue: 04
Date :01-14

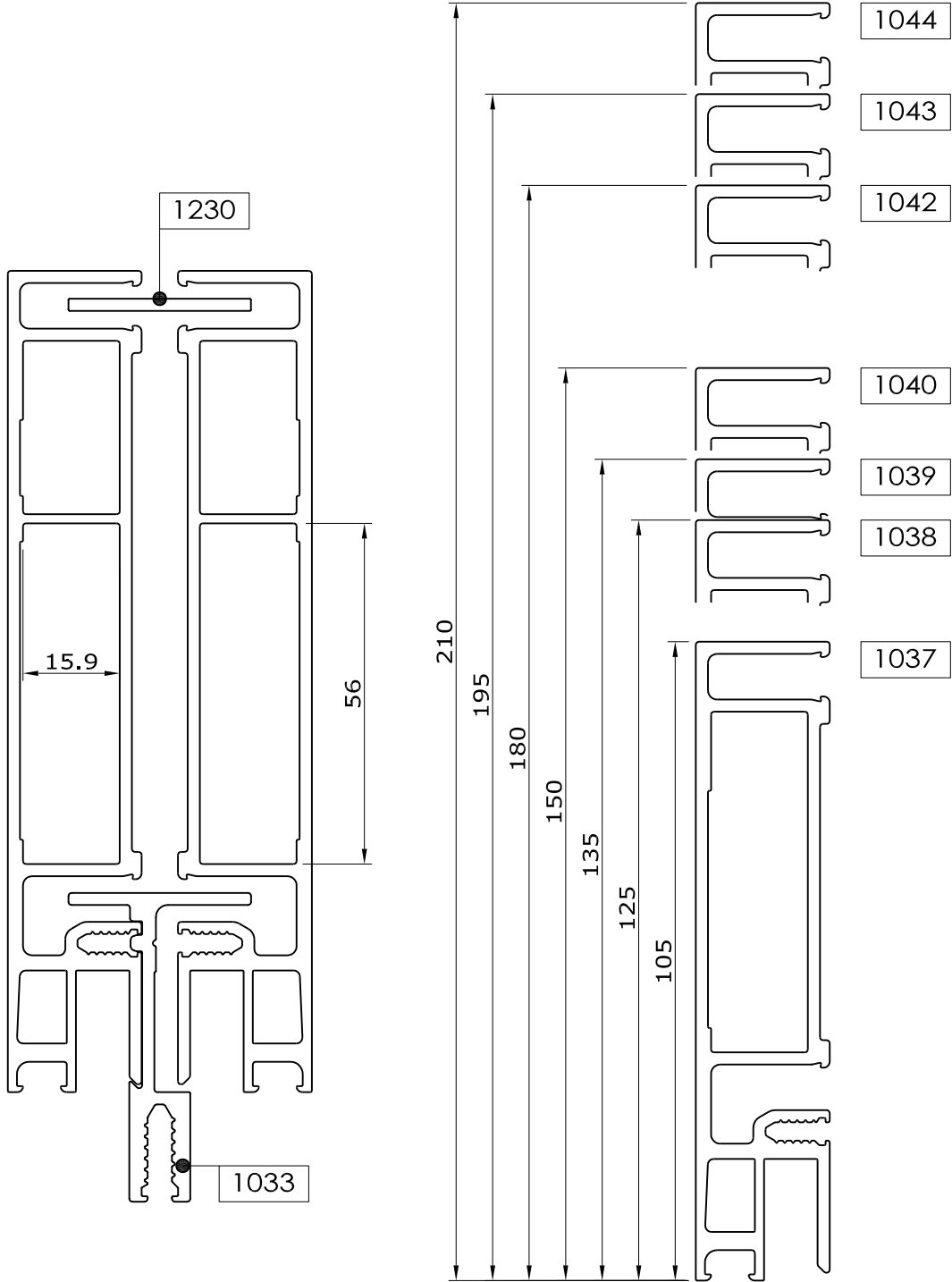
Comar 6EFT

Split mullions



4.03

Fabricators Guide



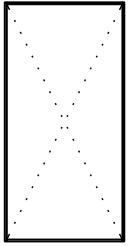
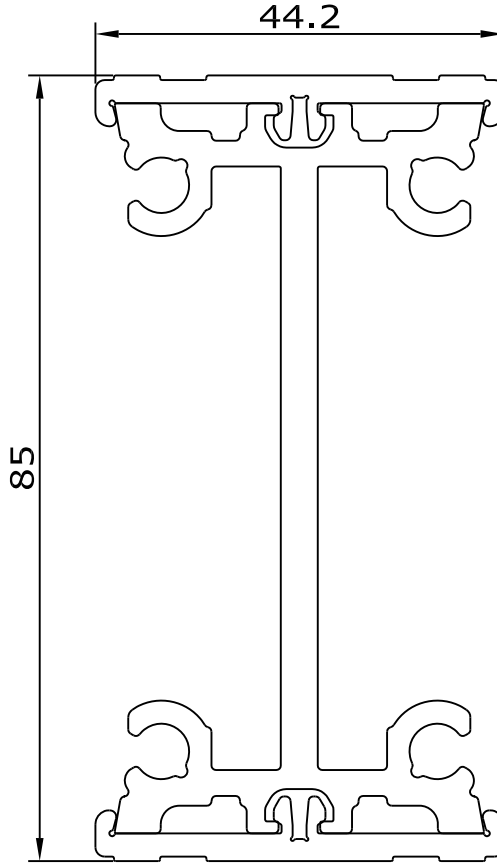
Copyright and ownership of this drawing is vested in EFT, Euro Facade Systems Ltd, whose prior written consent is required for its use, reproduction or for publication to any third party. All other rights reserved. Subject to modifications.

4 Profile sections

Mullion sleeves

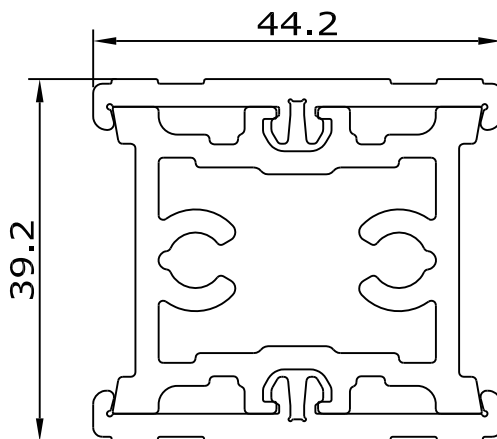
Comar 6EFT

1368



4.04

1366



Fabricators Guide

Changes reserved
Sous reserve de modifications
Änderungen vorbehalten

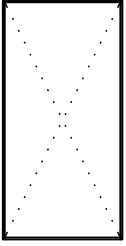
Issue: 04
Date :01-14

Profile sections

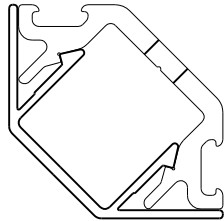
4

Comar 6EFT

90° corners

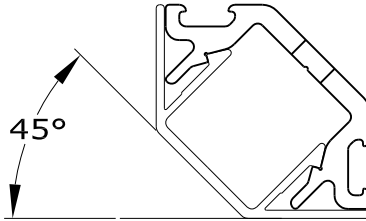


4.05



1210

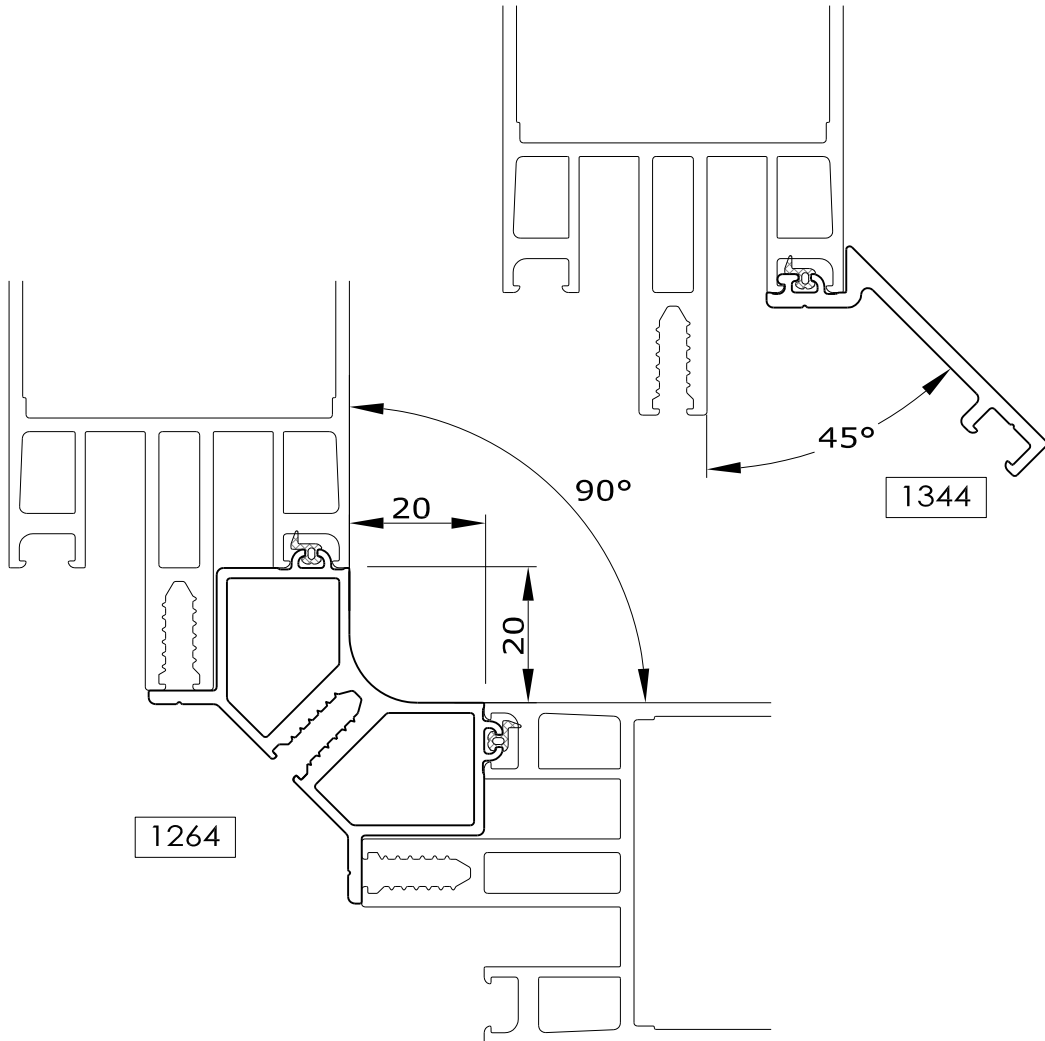
18



1270

45°

Fabricators Guide



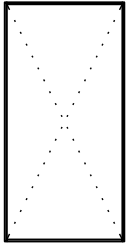
Copyright and ownership of this drawing is vested in EFT,
Euro Facade Systems Ltd, whose prior written consent is required
for its use, reproduction or for publication to any third party.
All other rights reserved. Subject to modifications.

4

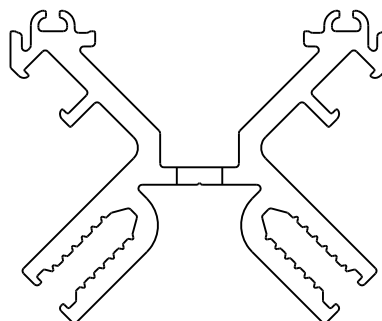
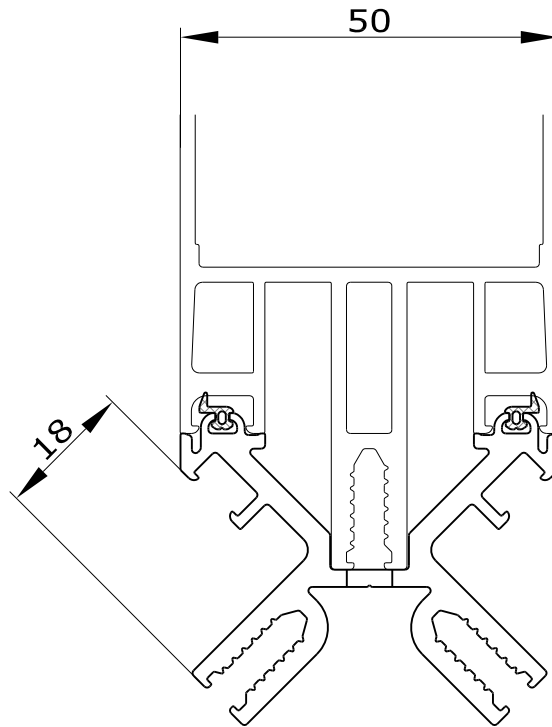
Profile sections

Corner mullion adaptor

Comar 6EFT



4.06



1265

Fabricators Guide

Changes reserved
Sous reserve de modifications
Änderungen vorbehalten

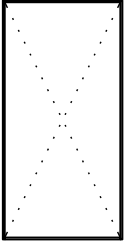
Issue: 04
Date :01-14

Profile sections

4

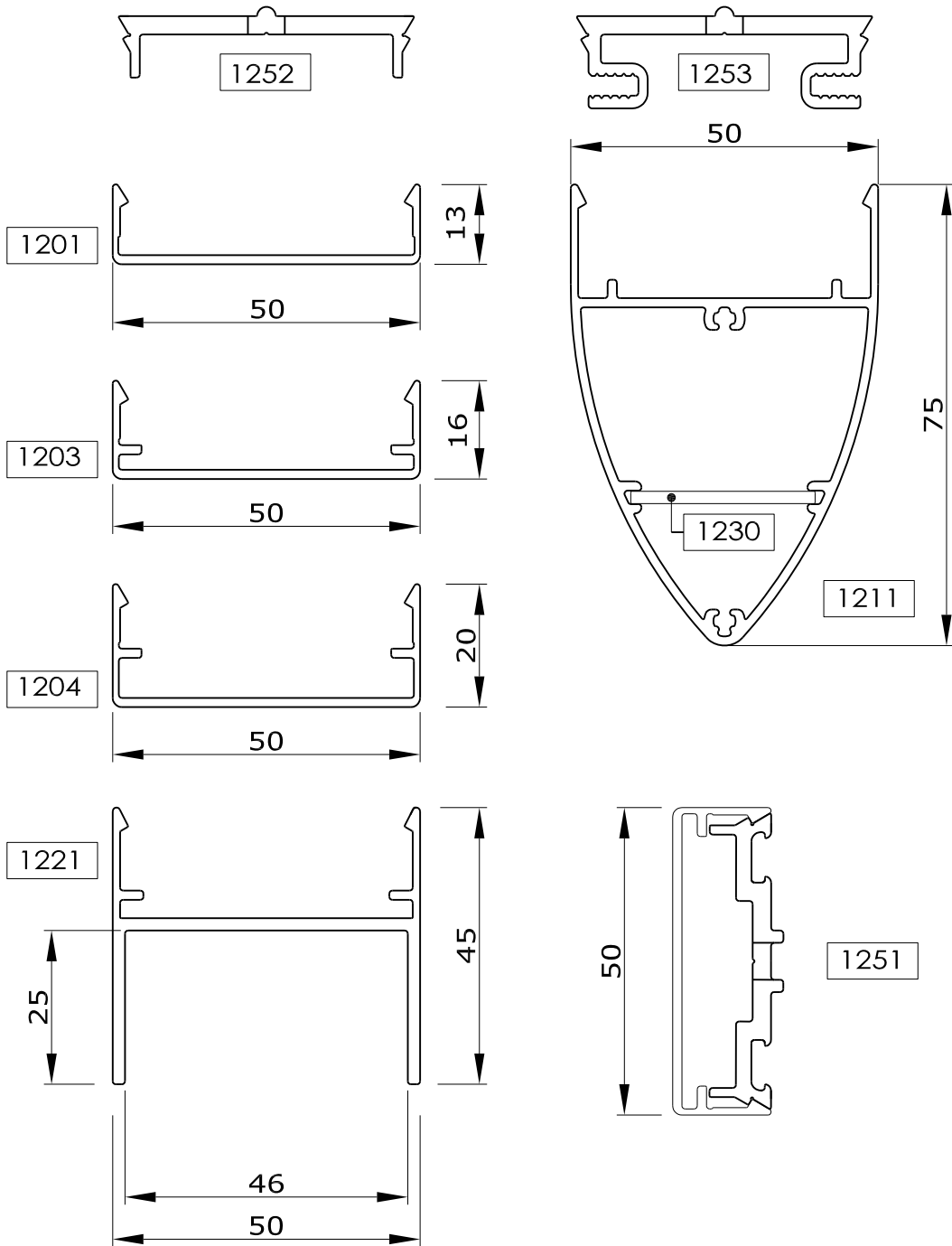
Comar 6EFT

Pressure plates & cover caps



4.07

Fabricators Guide



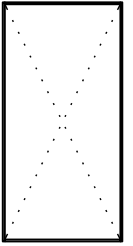
Copyright and ownership of this drawing is vested in EFT, Euro Facade Systems Ltd, whose prior written consent is required for its use, reproduction or for publication to any third party. All other rights reserved. Subject to modifications.

4

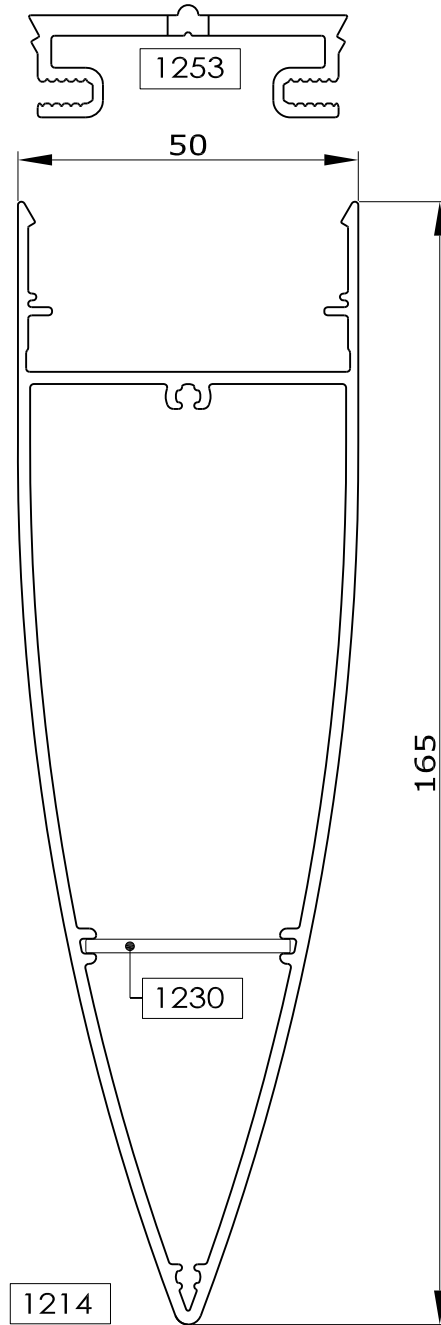
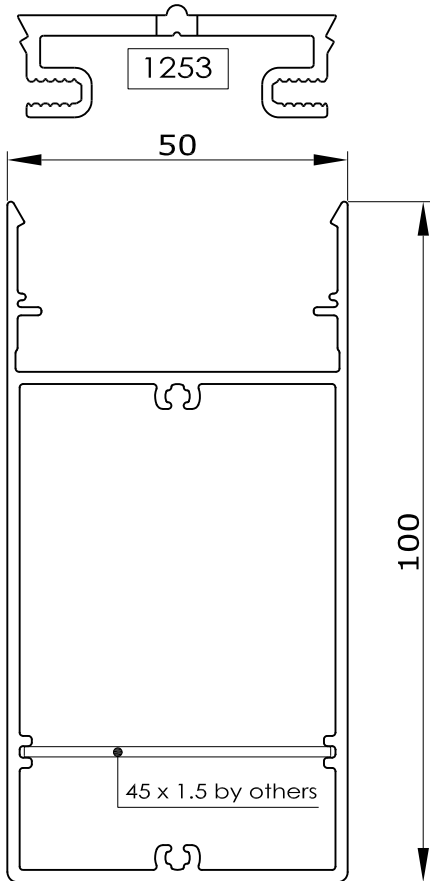
Profile sections

Pressure plates & cover caps

Comar 6EFT



4.08



Fabricators Guide

Copyright and ownership of this drawing is vested in EFT, Euro Facade Systems Ltd, whose prior written consent is required for its use, reproduction or for publication to any third party. All other rights reserved. Subject to modifications.

Changes reserved
 Sous reserve de modifications
 Änderungen vorbehalten

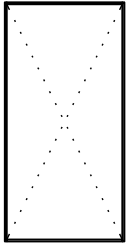
Issue: 04
 Date :01-14

Profile sections

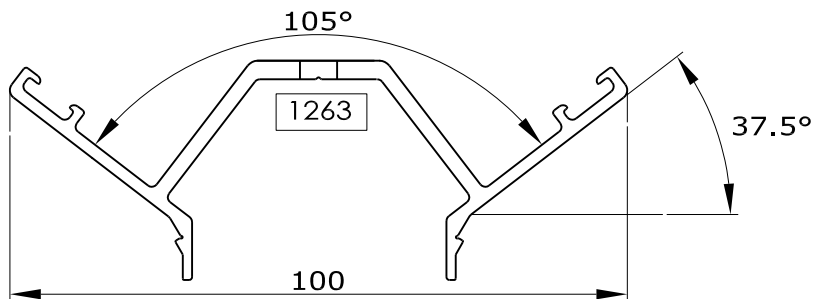
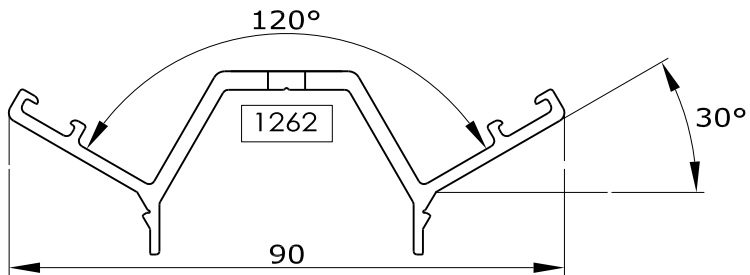
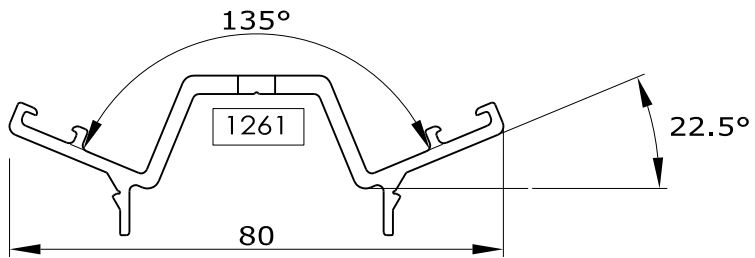
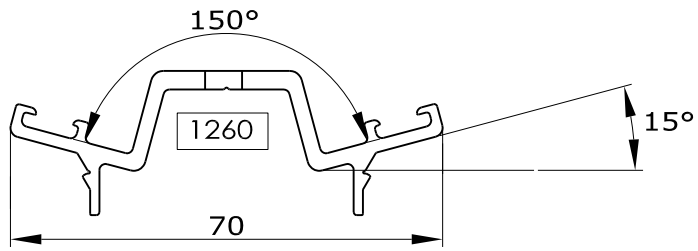
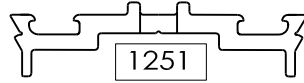
4

Comar 6EFT

Facetted pressure plates



4.09



Fabricators Guide

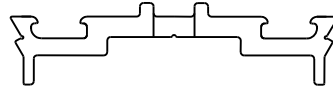
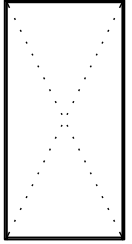
Copyright and ownership of this drawing is vested in EFT, Euro Facade Systems Ltd, whose prior written consent is required for its use, reproduction or for publication to any third party. All other rights reserved. Subject to modifications.

Copyright and ownership of this drawing is vested in EFT, Euro Facade Systems Ltd, whose prior written consent is required for its use, reproduction or for publication to any third party. All other rights reserved. Subject to modifications.

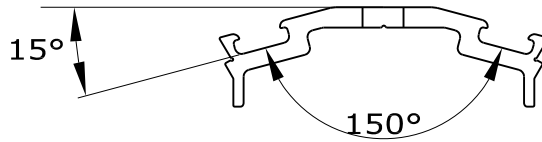
4 Profile sections

Facetted pressure plates

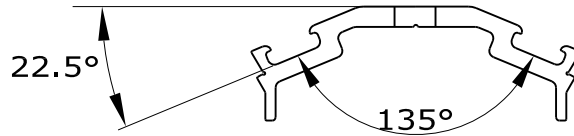
Comar 6EFT



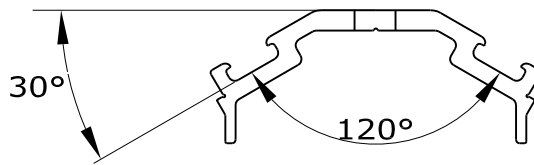
1251



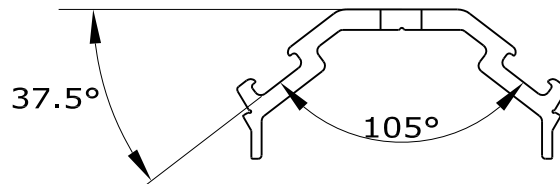
1266



1267



1268



1269

4.10

Fabricators Guide

Changes reserved
Sous reserve de modifications
Änderungen vorbehalten

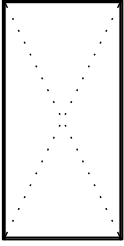
Issue: 04
Date :01-14

Profile sections

4

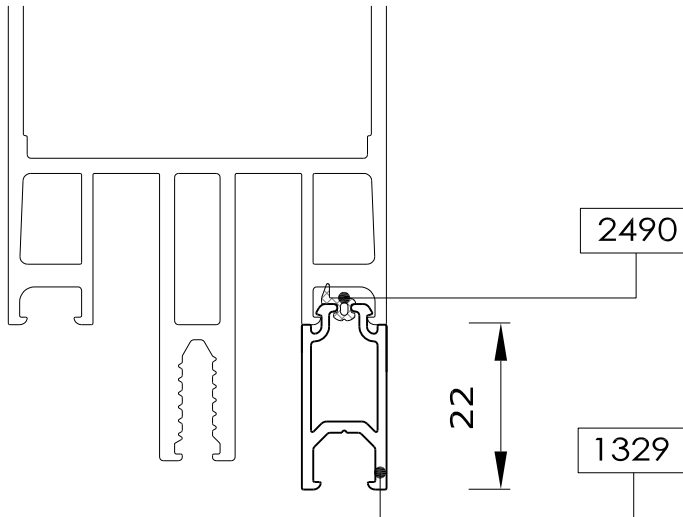
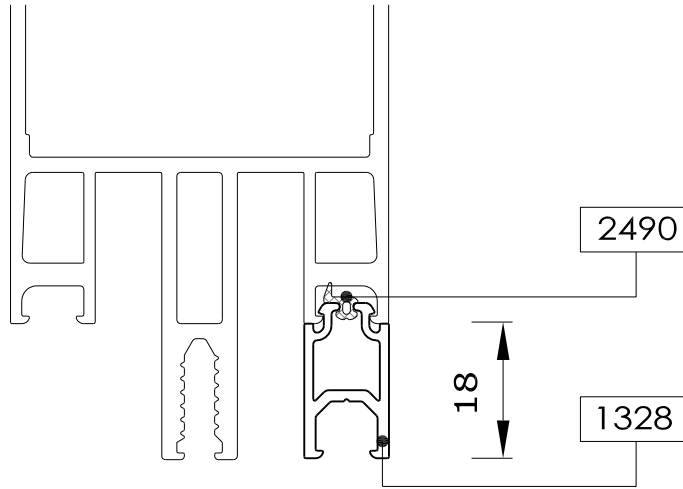
Comar 6EFT

Glazing adaptors



4.11

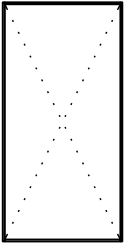
Fabricators Guide



Copyright and ownership of this drawing is vested in EFT, Euro Facade Systems Ltd, whose prior written consent is required for its use, reproduction or for publication to any third party. All other rights reserved. Subject to modifications.

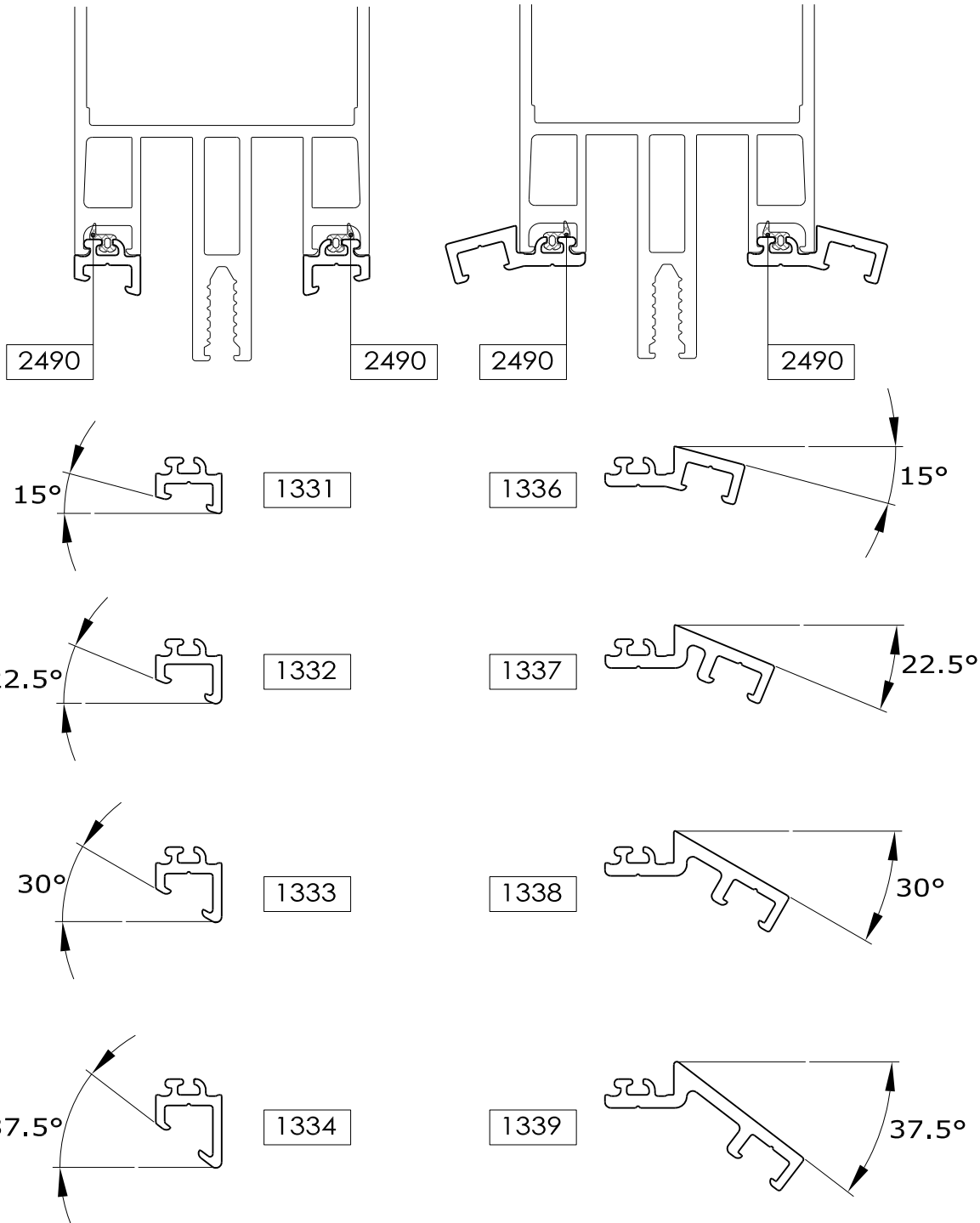
Facetted glazing adaptors

Comar 6EFT



4.12

Copyright and ownership of this drawing is vested in EFT, Euro Facade Systems Ltd, whose prior written consent is required for its use, reproduction or for publication to any third party. All other rights reserved. Subject to modifications.



Fabricators Guide

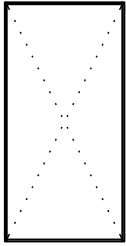
Changes reserved
 Sous reserve de modifications
 Änderungen vorbehalten

Issue: 04
 Date :01-14

Profile sections

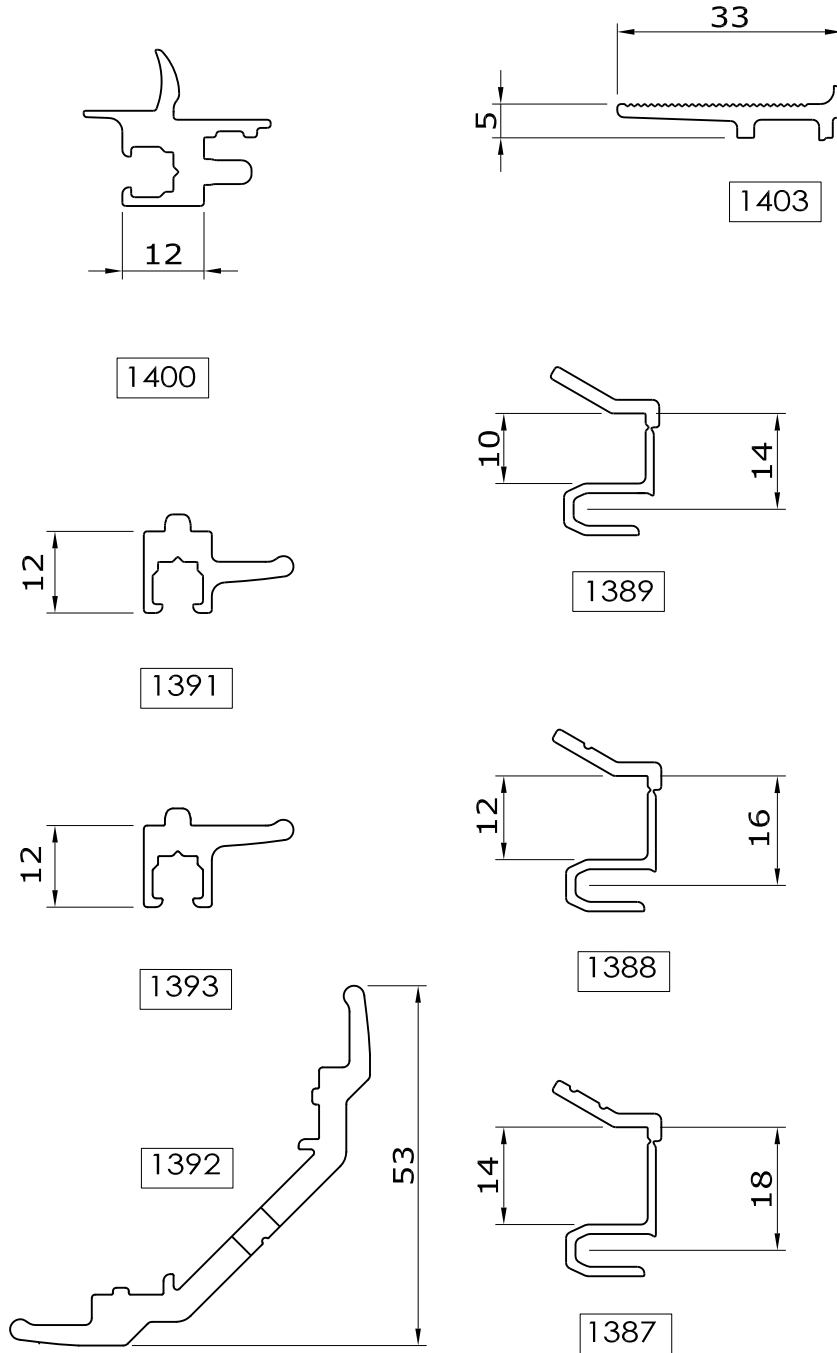
4

Comar 6EFT



4.13

Clamps, inserts & glass setting blocks



Copyright and ownership of this drawing is vested in EFT, Euro Facade Systems Ltd, whose prior written consent is required for its use, reproduction or for publication to any third party. All other rights reserved. Subject to modifications.

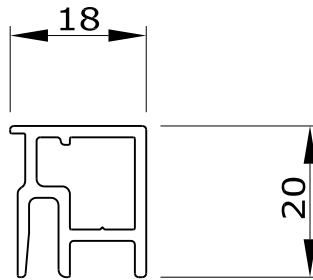
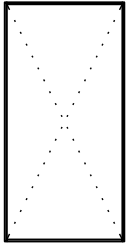
Copyright and ownership of this drawing is vested in EFT,
Euro Facade Systems Ltd, whose prior written consent is required
for its use, reproduction or for publication to any third party.
All other rights reserved. Subject to modifications.

4

Profile sections

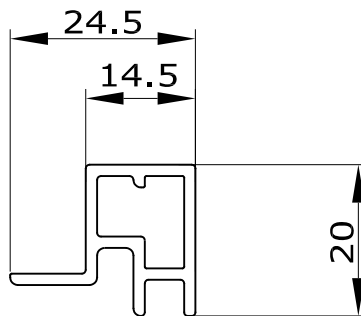
Single glazing & panel frames

Comar 6EFT



1335

4.14

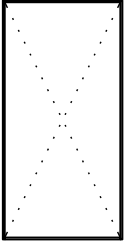


1346

Fabricators Guide

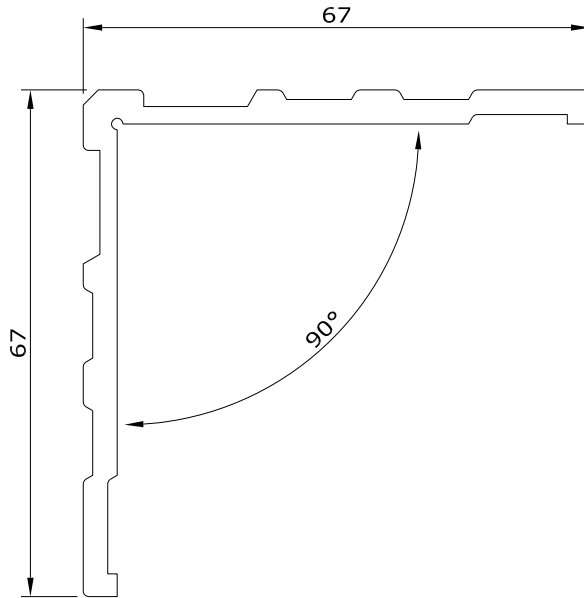
Changes reserved
Sous reserve de modifications
Änderungen vorbehalten

Issue: 04
Date :01-14

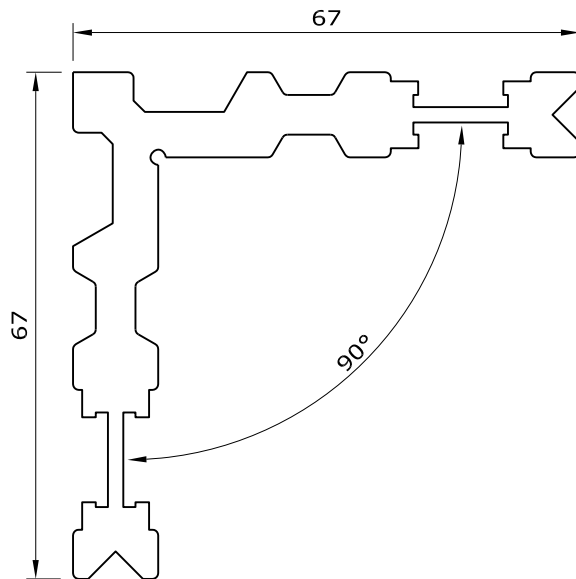


1431 - Corner cleat - 4.5 mm

4.15



1435 - Corner cleat - 11.8 mm

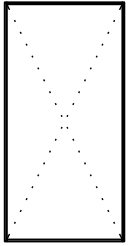


Copyright and ownership of this drawing is vested in EFT,
Euro Facade Systems Ltd, whose prior written consent is required
for its use, reproduction or for publication to any third party.
All other rights reserved. Subject to modifications.

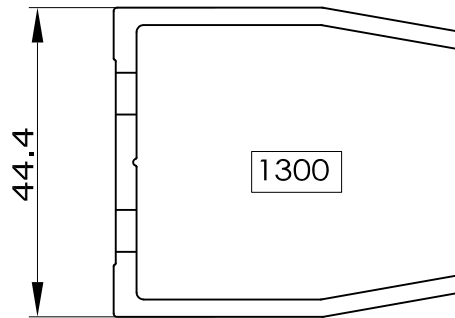
Cleats

4 Profiles sections

Comar 6EFT



4.16



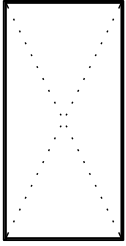
Fabricators Guide

Changes reserved
Sous reserve de modifications
Änderungen vorbehalten

Issue: 04
Date :01-14

Comar 6EFT

Future Additions



4.17-4.99

Fabricators Guide

FUTURE ADDITION

Copyright and ownership of this drawing is vested in EFT, Euro Facade Systems Ltd, whose prior written consent is required for its use, reproduction or for publication to any third party. All other rights reserved. Subject to modifications.