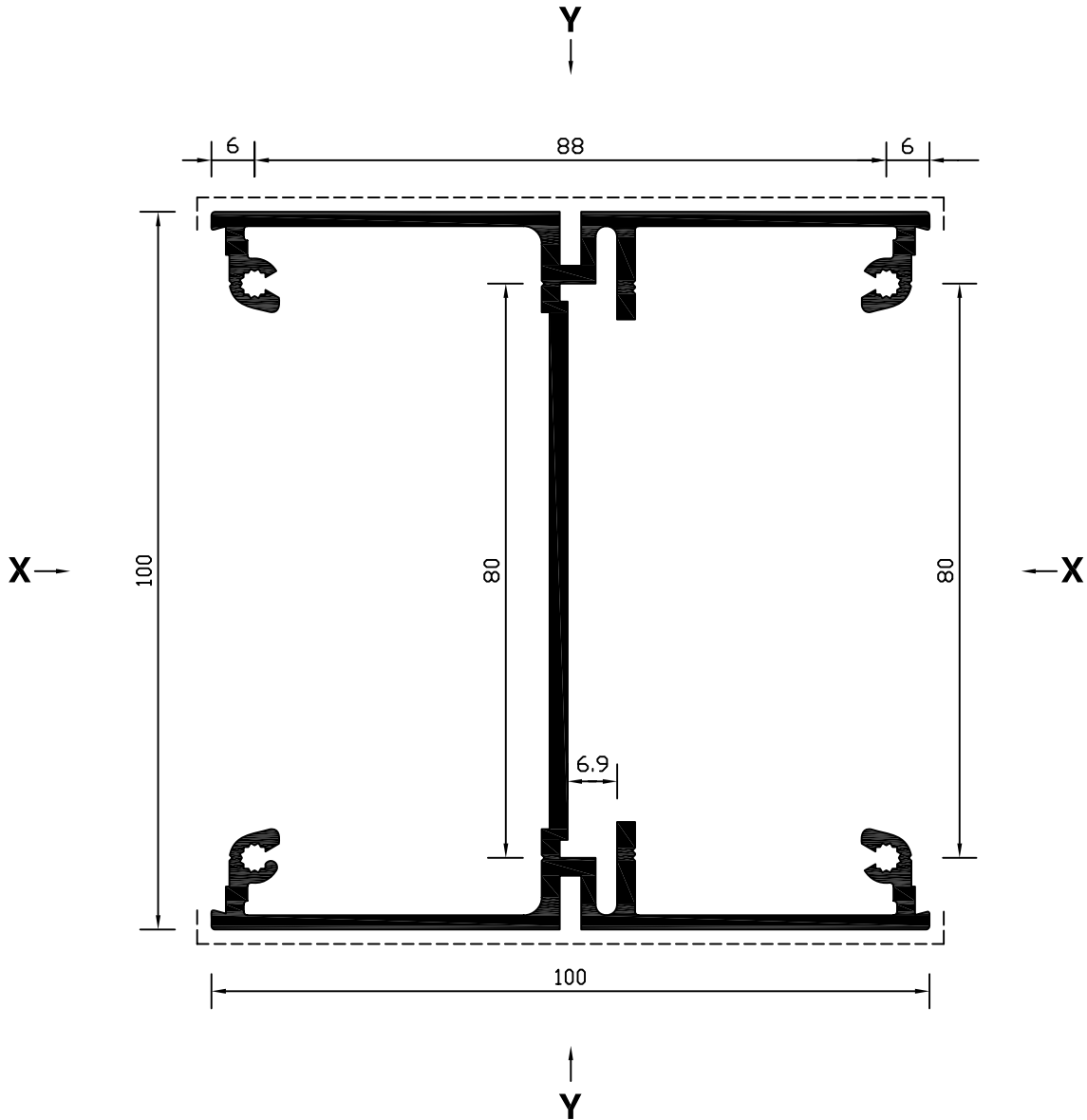
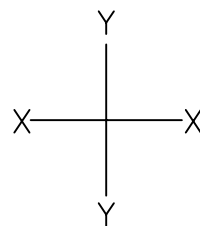


**CS206 - 100 x 100 mm FRAME / MULLION**



PERIPHERY = 849  
 STD. LENGTH = 6450  
 BOX QTY. = 4  
 VISIBLE SURFACE -----

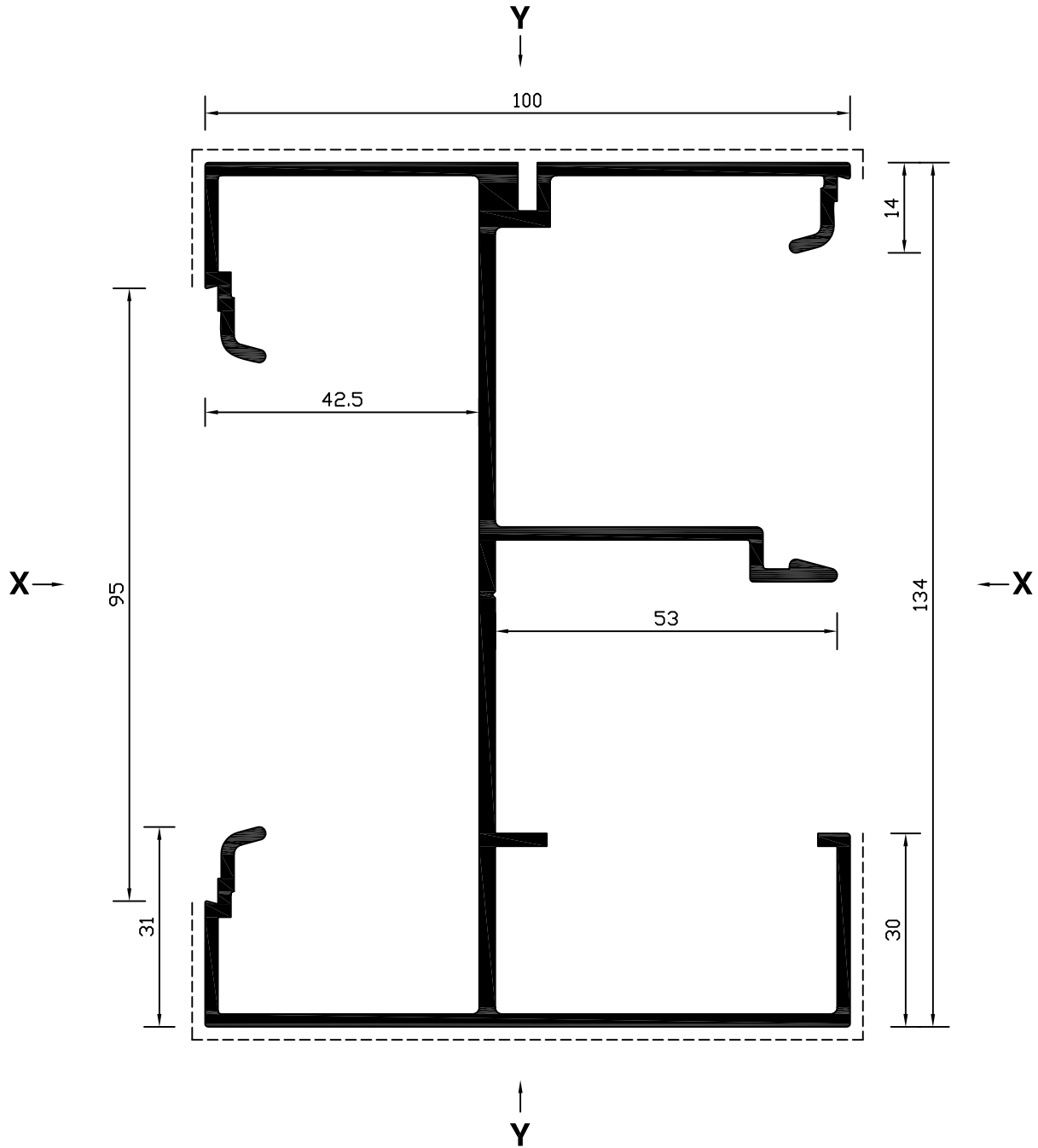


$I_{XX} = 161.5 \text{ cm}^4$   
 $I_{YY} = 66.8 \text{ cm}^4$   
 $Z_{XX} = 32.2 \text{ cm}^3$   
 $Z_{YY} = 13.3 \text{ cm}^3$

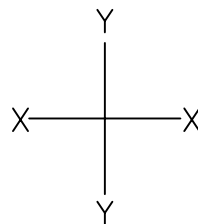


**ALL DIMENSIONS IN MM**

**CS207 - 100 x 134 mm SHUTTER FRAME MULLION**



PERIPHERY = 1038  
 STD. LENGTH = 6450  
 BOX QTY. = 2  
 VISIBLE SURFACE -----

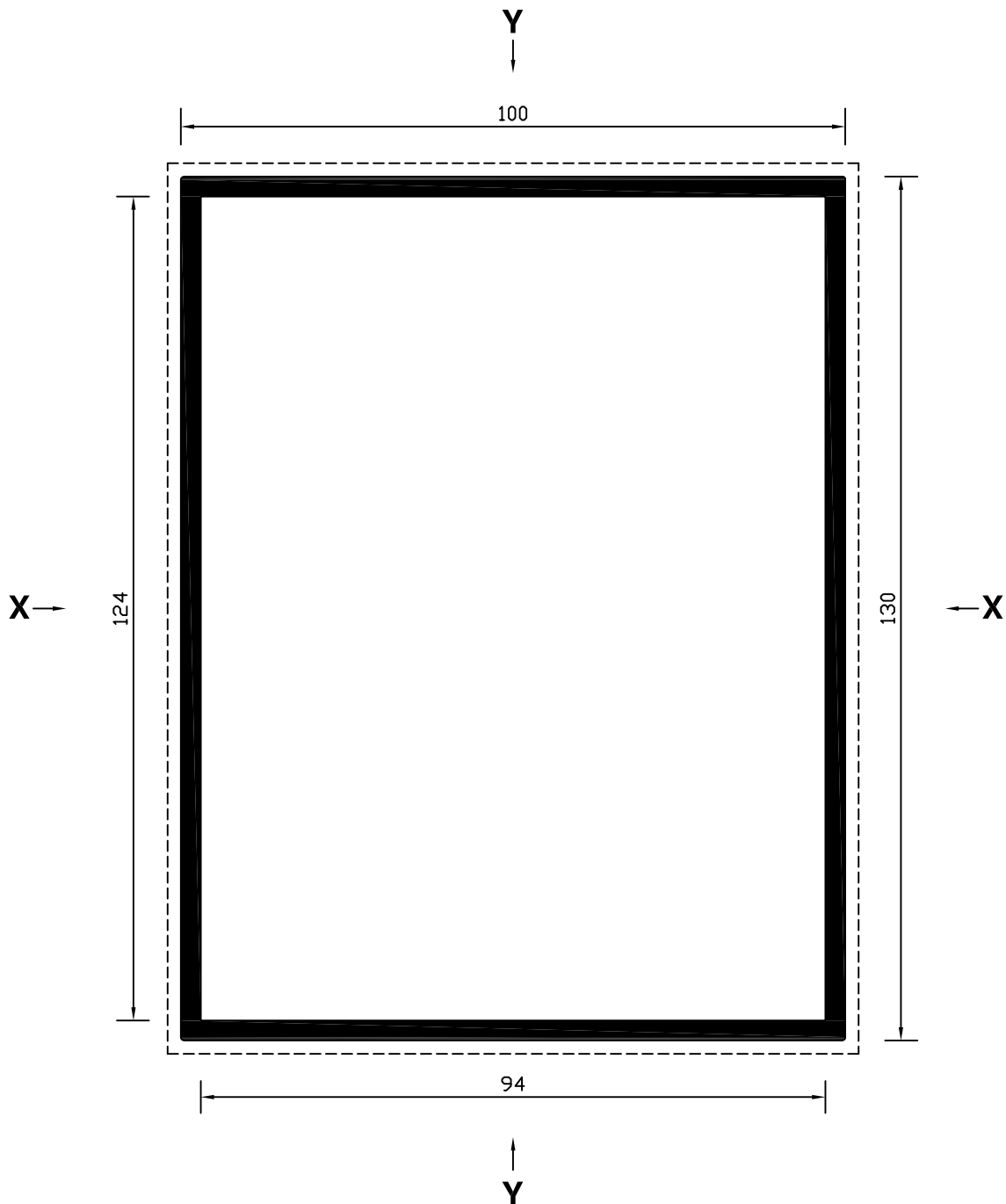


$I_{XX} = 301.0 \text{ cm}^4$   
 $I_{YY} = 97.1 \text{ cm}^4$   
 $Z_{XX} = 43.8 \text{ cm}^3$   
 $Z_{YY} = 19.0 \text{ cm}^3$

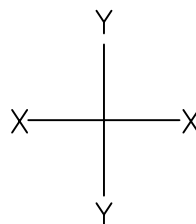
**ALL DIMENSIONS IN MM**



**CS208 - 100 x 130 mm BOX / PORTAL / JAMB**



PERIPHERY = 460  
 STD. LENGTH = 6450  
 BOX QTY. = 2  
 VISIBLE SURFACE -----

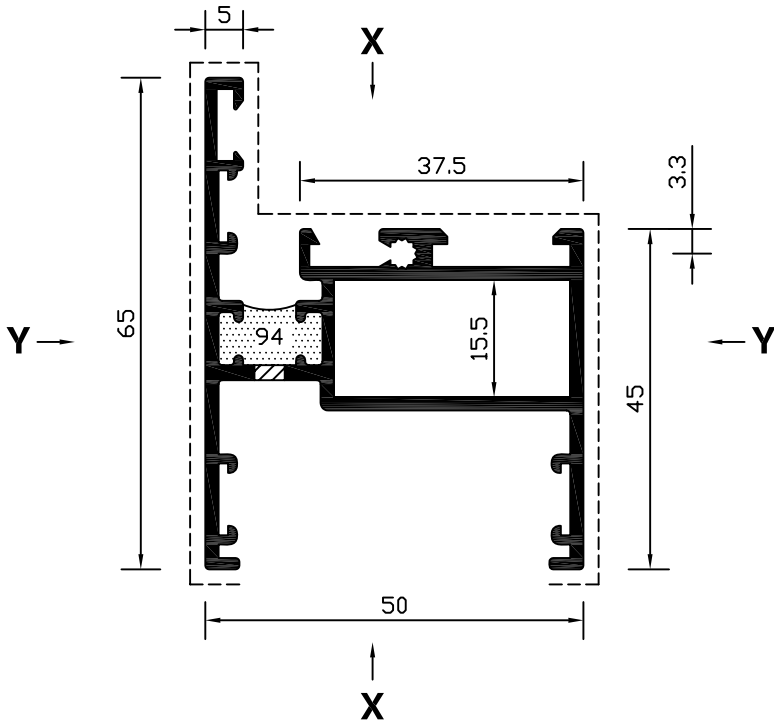


$\frac{I_{XX}}{I_{YY}} = 337.2 \text{ cm}^4$   
 $\frac{Z_{XX}}{Z_{YY}} = 51.8 \text{ cm}^3$   
 $\frac{I_{YY}}{Z_{YY}} = 225.0 \text{ cm}^4$   
 $\frac{Z_{XX}}{I_{XX}} = 51.8 \text{ cm}^3$

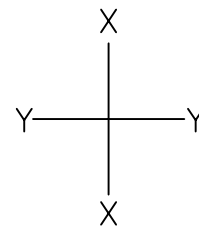


**ALL DIMENSIONS IN MM**

**CS209 - FIXED LIGHT & OUTER FRAME, LONG LEG (T.B)  
OBSOLETE WHEN STOCKS EXHAUSTED**

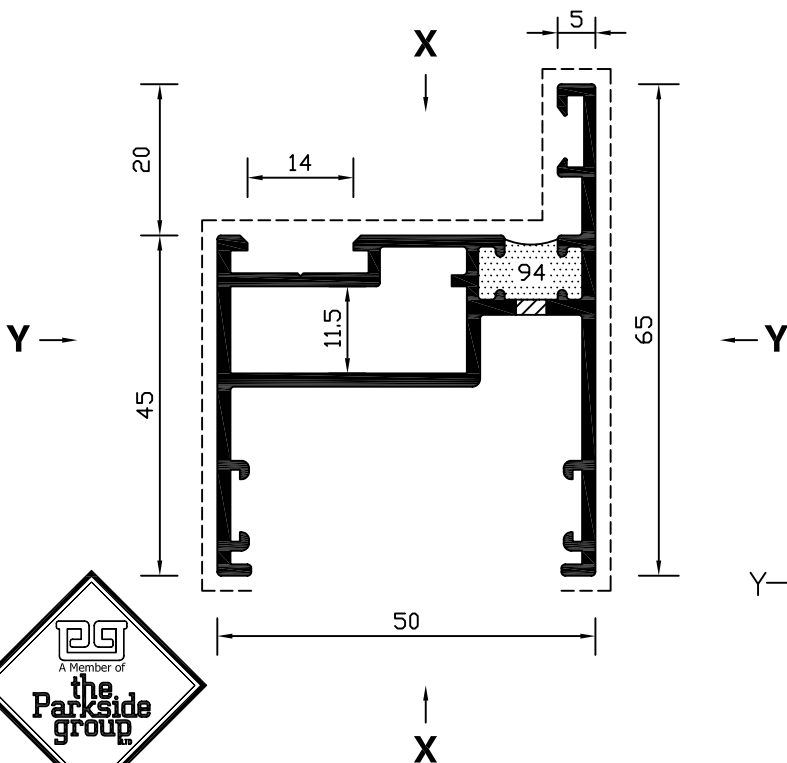


PERIPHERY = 445  
STD. LENGTH = 6450  
BOX QTY. = 6  
VISIBLE SURFACE -----

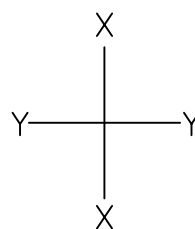


$I_{XX} = 16.1 \text{ cm}^4$   
 $I_{YY} = 9.9 \text{ cm}^4$   
 $Z_{XX} = 5.7 \text{ cm}^3$   
 $Z_{YY} = 2.8 \text{ cm}^3$

**CS210 - FIXED LIGHT & OUTER FRAME, LONG LEG (T.B)  
OBSOLETE WHEN STOCKS EXHAUSTED**



PERIPHERY = 408  
STD. LENGTH = 6450  
BOX QTY. = 6  
VISIBLE SURFACE -----

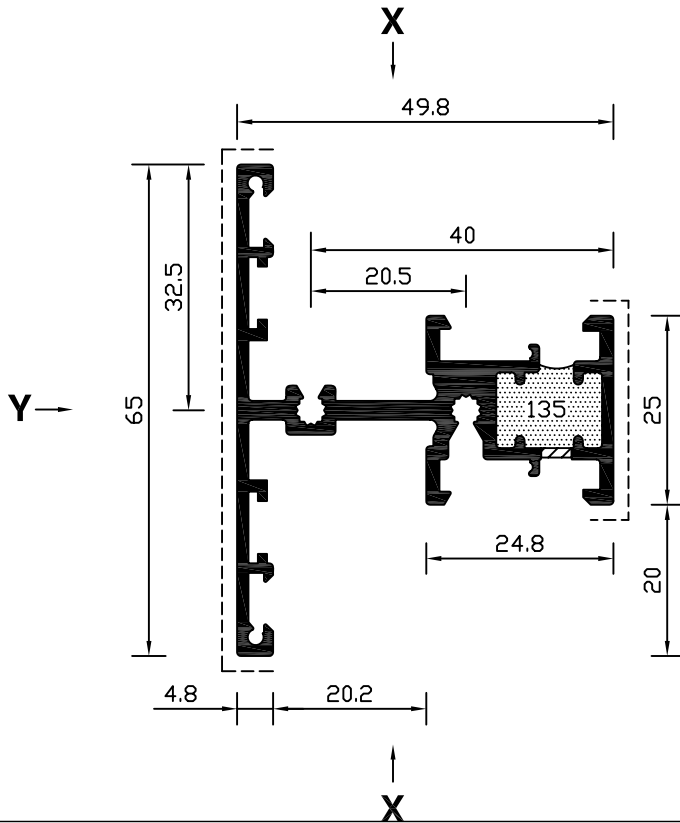


$I_{XX} = 15.7 \text{ cm}^4$   
 $I_{YY} = 9.6 \text{ cm}^4$   
 $Z_{XX} = 5.7 \text{ cm}^3$   
 $Z_{YY} = 2.8 \text{ cm}^3$

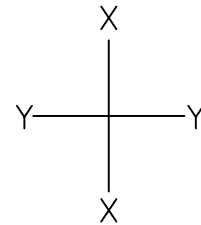


ALL DIMENSIONS IN MM

**CS211 - TOP SWING TRANSOM (T.B)**  
**OBSOLETE WHEN STOCKS EXHAUSTED**

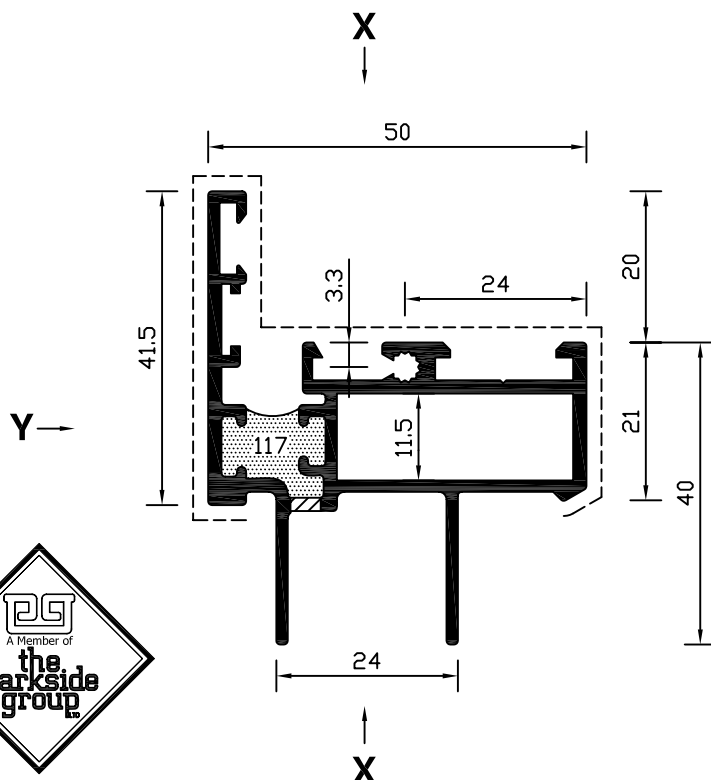


PERIPHERY = 469  
STD. LENGTH = 6450  
BOX QTY. = 4  
VISIBLE SURFACE -----

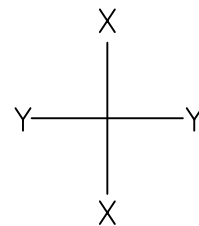


$\frac{I_{XX}}{I_{YY}} = 12.4 \text{ cm}^4$   
 $\frac{I_{YY}}{I_{XX}} = 6.5 \text{ cm}^4$   
 $\frac{Z_{XX}}{Z_{YY}} = 4.2 \text{ cm}^3$   
 $\frac{Z_{YY}}{Z_{XX}} = 2.0 \text{ cm}^3$

**CS212 - CURTAIN WALL INSERT (T.B)**  
**OBSOLETE WHEN STOCKS EXHAUSTED**



PERIPHERY = 402  
STD. LENGTH = 6450  
BOX QTY. = 4  
VISIBLE SURFACE -----

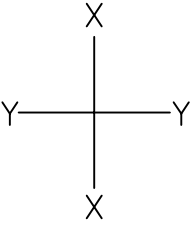


$\frac{I_{XX}}{I_{YY}} = 10.7 \text{ cm}^4$   
 $\frac{I_{YY}}{I_{XX}} = 6.1 \text{ cm}^4$   
 $\frac{Z_{XX}}{Z_{YY}} = 3.6 \text{ cm}^3$   
 $\frac{Z_{YY}}{Z_{XX}} = 1.9 \text{ cm}^3$

**ALL DIMENSIONS IN MM**

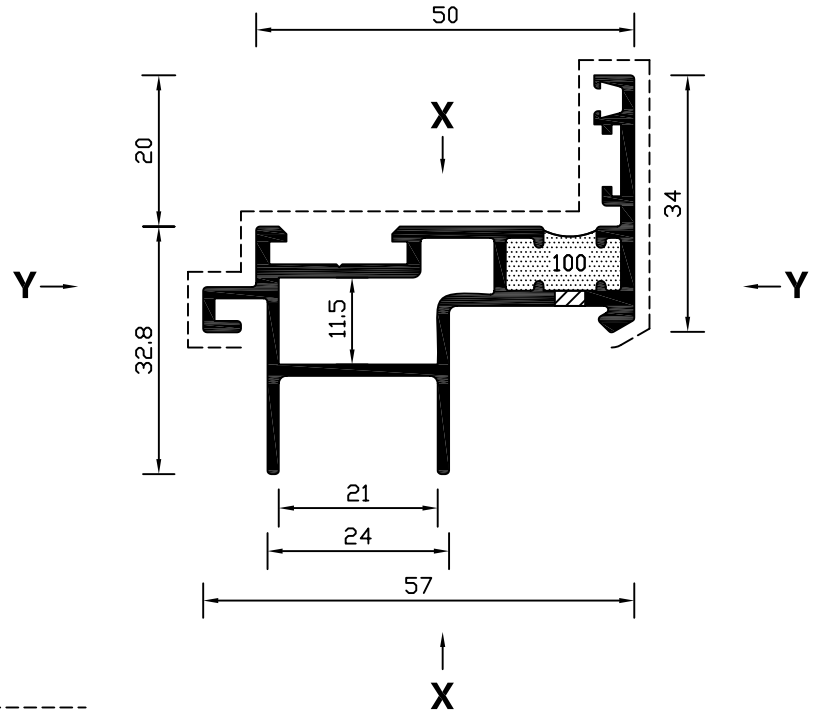


**CS213 - CURTAIN WALL WINDOW INSERT (T.B)  
OBSOLETE WHEN STOCKS EXHAUSTED**

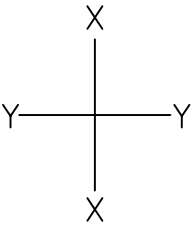


$I_{XX} = 12.1 \text{ cm}^4$   
 $I_{YY} = 4.1 \text{ cm}^4$   
 $Z_{XX} = 3.8 \text{ cm}^3$   
 $Z_{YY} = 1.4 \text{ cm}^3$

PERIPHERY = 348  
 STD. LENGTH = 6450  
 BOX QTY. = 4  
 VISIBLE SURFACE -----

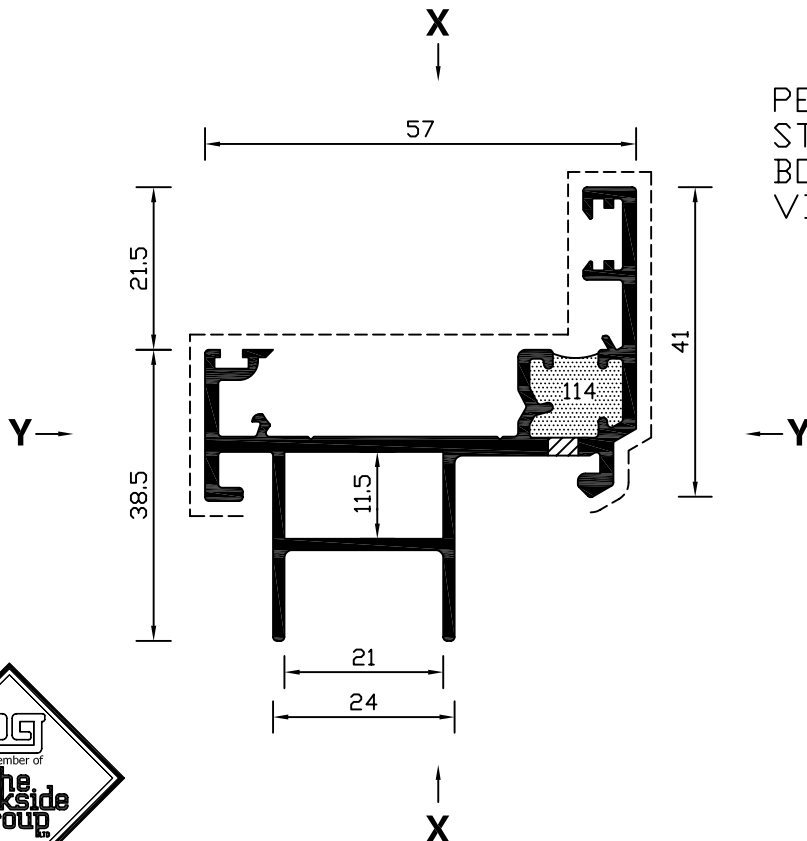


**CS214 - CURTAIN WALL WINDOW INSERT (T.B)  
OBSOLETE WHEN STOCKS EXHAUSTED**

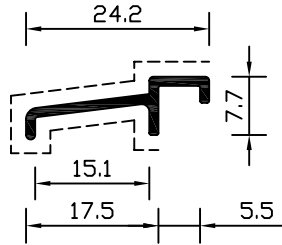


$I_{XX} = 15.6 \text{ cm}^4$   
 $I_{YY} = 6.8 \text{ cm}^4$   
 $Z_{XX} = 5.0 \text{ cm}^3$   
 $Z_{YY} = 2.1 \text{ cm}^3$

PERIPHERY = 414  
 STD. LENGTH = 6450  
 BOX QTY. = 4  
 VISIBLE SURFACE -----

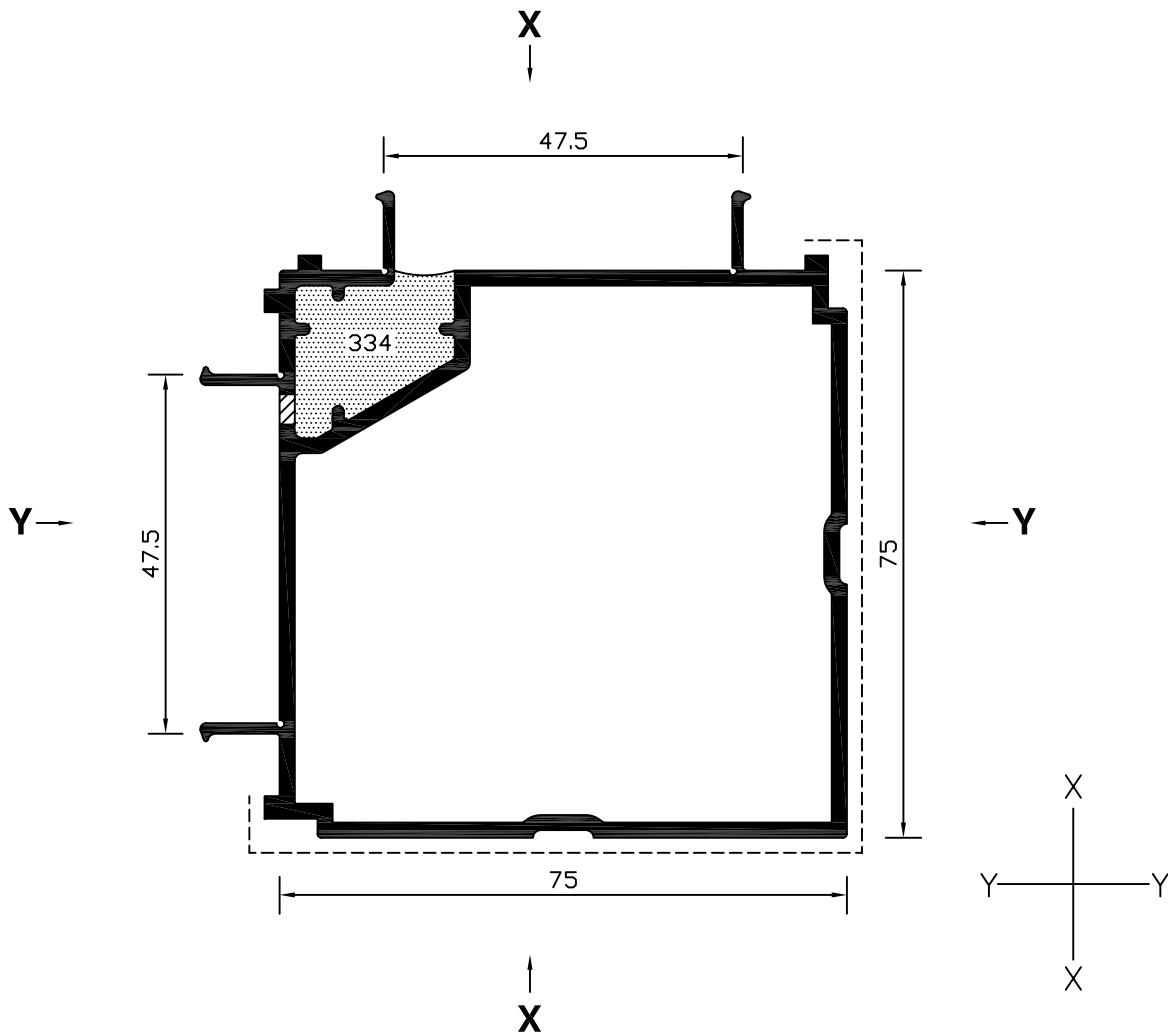


**CS215 - WINDOW DRIP**



PERIPHERY = 73 (100 MIN)  
 STD. LENGTH = 6450  
 BOX QTY. = 30  
 VISIBLE SURFACE -----

**CS216 - 75 mm CORNER POST (T.B)**



PERIPHERY = 484  
 STD. LENGTH = 6450  
 BOX QTY. = 4  
 VISIBLE SURFACE -----

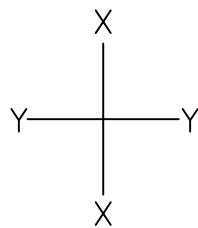
$\frac{I_{XX}}{I_{YY}} = 64.4 \text{ cm}^4$   
 $\frac{Z_{XX}}{Z_{YY}} = 14.7 \text{ cm}^3$   
 $\frac{Z_{YY}}{Z_{XX}} = 14.4 \text{ cm}^3$

**ALL DIMENSIONS IN MM**

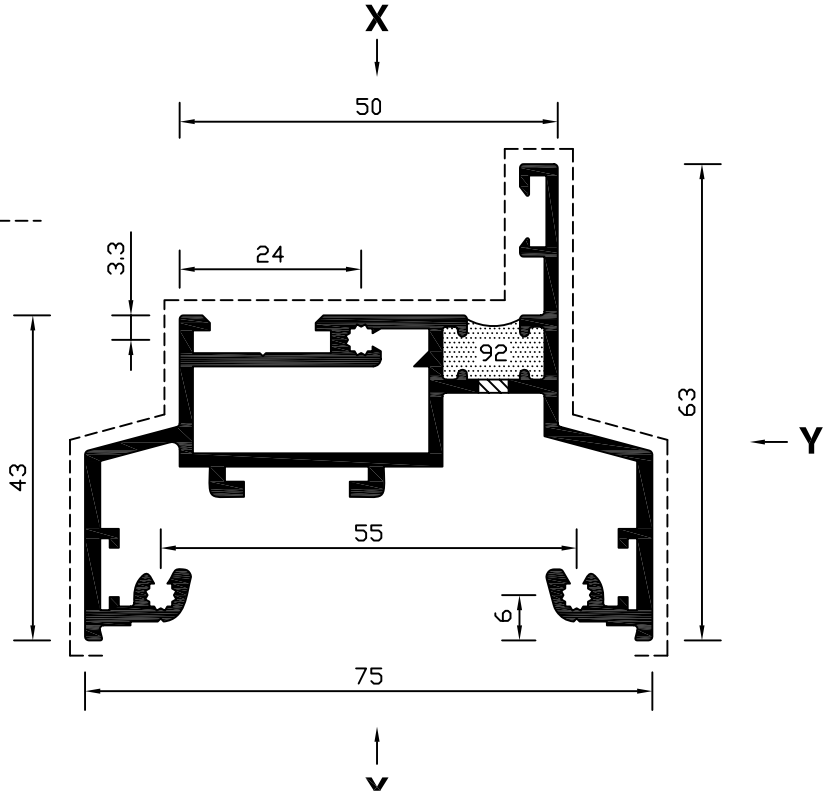


**CS217 - DIRECT FIX OUTER FRAME (T.B)**  
**OBSOLETE WHEN STOCKS EXHAUSTED**

PERIPHERY = 540  
STD. LENGTH = 6450  
BOX QTY. = 4  
VISIBLE SURFACE -----

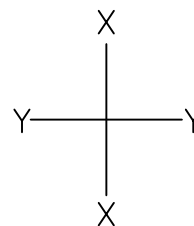


$$\begin{aligned} I_{XX} &= 34.6 \text{ cm}^4 \\ I_{YY} &= 12.6 \text{ cm}^4 \\ Z_{XX} &= 8.9 \text{ cm}^3 \\ Z_{YY} &= 3.4 \text{ cm}^3 \end{aligned}$$



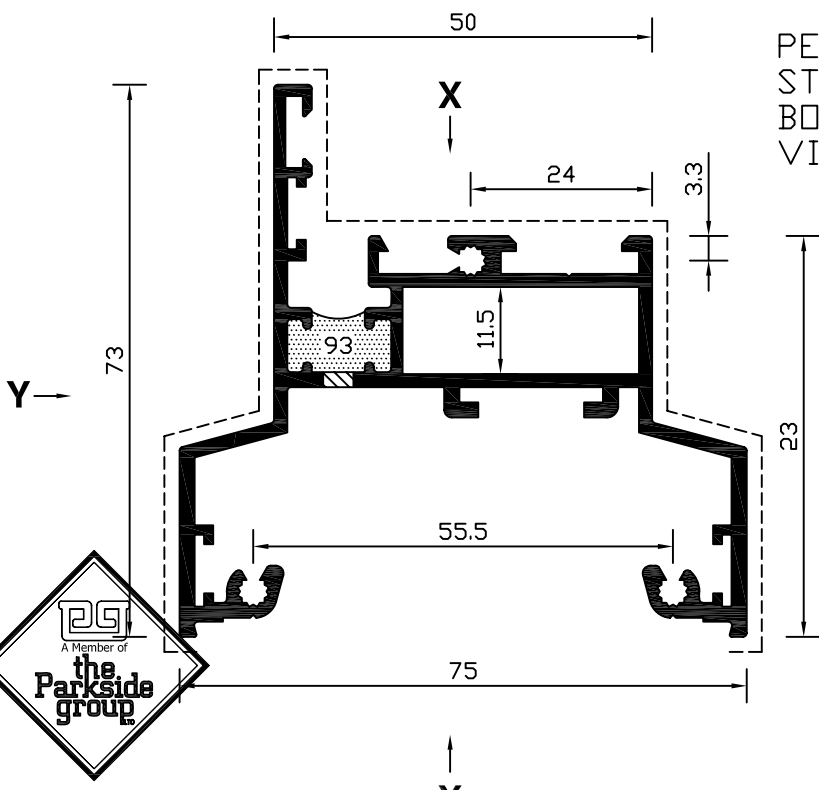
**CS218 - DIRECT FIX OUTER FRAME (T.B)**  
**OBSOLETE WHEN STOCKS EXHAUSTED**

PERIPHERY = 612  
STD. LENGTH = 6450  
BOX QTY. = 4  
VISIBLE SURFACE -----



$$\begin{aligned} I_{XX} &= 36.5 \text{ cm}^4 \\ I_{YY} &= 19.7 \text{ cm}^4 \\ Z_{XX} &= 9.3 \text{ cm}^3 \\ Z_{YY} &= 4.8 \text{ cm}^3 \end{aligned}$$

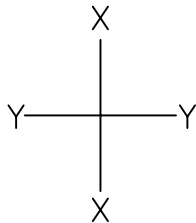
**ALL DIMENSIONS IN MM**



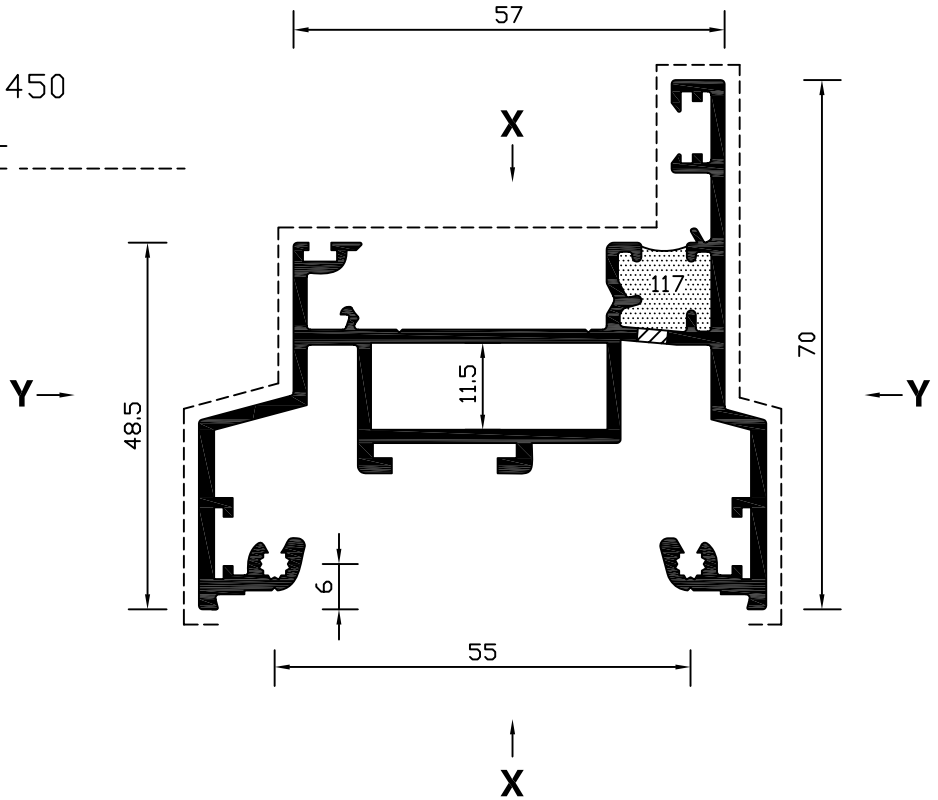


**CS219 - DIRECT FIX OUTER FRAME (T.B)  
OBSOLETE WHEN STOCKS EXHAUSTED**

PERIPHERY = 641  
STD. LENGTH = 6450  
BOX QTY. = 4  
VISIBLE SURFACE -----

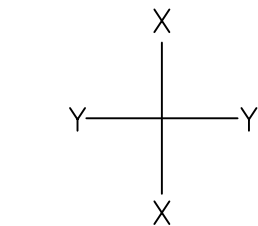
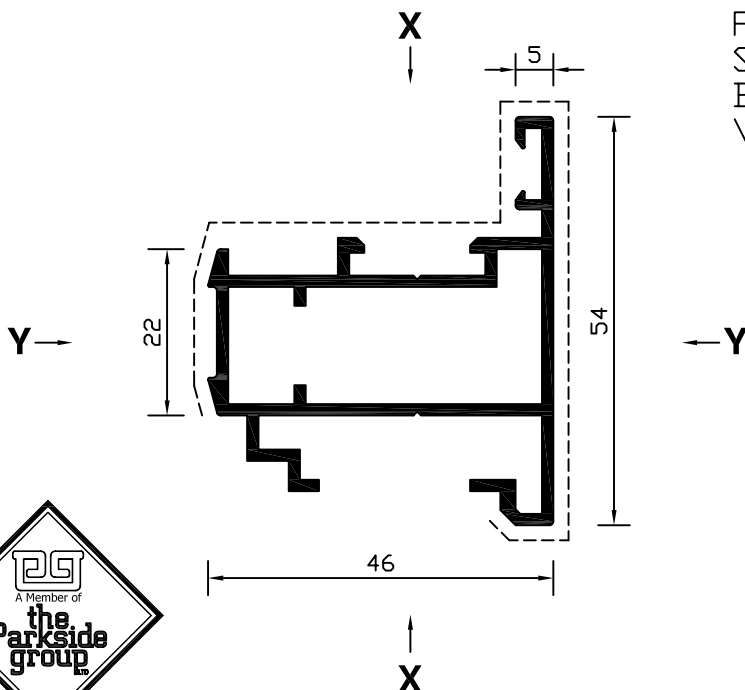


$I_{XX} = 41.1 \text{ cm}^4$   
 $I_{YY} = 17.5 \text{ cm}^4$   
 $Z_{XX} = 9.9 \text{ cm}^3$   
 $Z_{YY} = 4.2 \text{ cm}^3$



**CS220 - PIVOT TRANSFER  
OBSOLETE WHEN STOCKS EXHAUSTED**

PERIPHERY = 306  
STD. LENGTH = 6450  
BOX QTY. = 8  
VISIBLE SURFACE -----

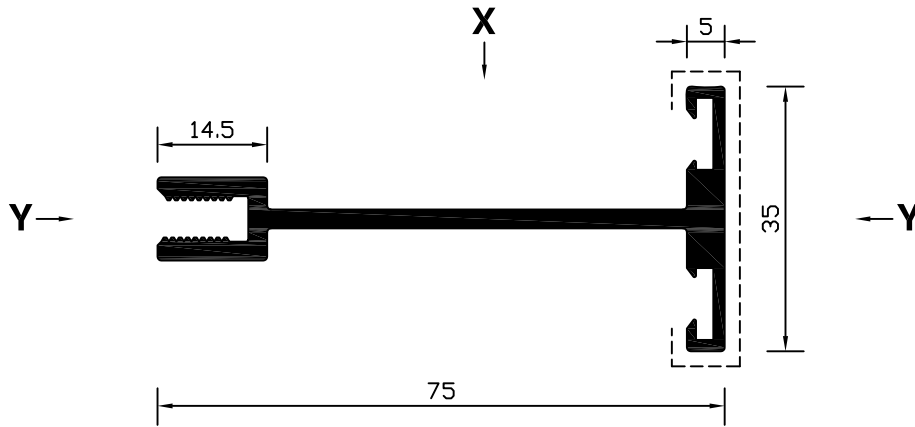


$I_{XX} = 8.8 \text{ cm}^4$   
 $I_{YY} = 5.9 \text{ cm}^4$   
 $Z_{XX} = 3.3 \text{ cm}^3$   
 $Z_{YY} = 2.0 \text{ cm}^3$

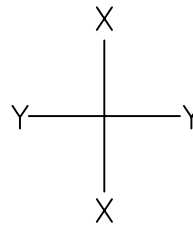
**ALL DIMENSIONS IN MM**



**CS221 - 75 mm WINDOW FRAME COUPLING**

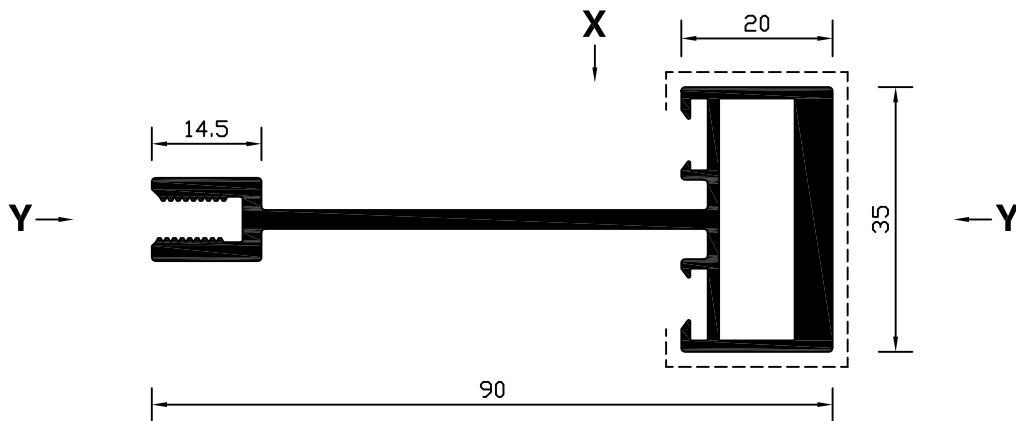


PERIPHERY = 297  
STD. LENGTH = 6450  
BOX QTY. = 8  
VISIBLE SURFACE .....

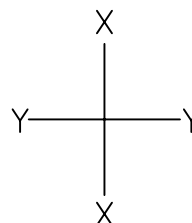


|          |   |      |                 |
|----------|---|------|-----------------|
| $I_{XX}$ | = | 25.4 | cm <sup>4</sup> |
| $I_{YY}$ | = | 1.1  | cm <sup>4</sup> |
| $Z_{XX}$ | = | 5.8  | cm <sup>3</sup> |
| $Z_{YY}$ | = | 0.6  | cm <sup>3</sup> |

**CS222 - 90 mm WINDOW FRAME COUPLING**



PERIPHERY = 340  
STD. LENGTH = 6450  
BOX QTY. = 5  
VISIBLE SURFACE .....

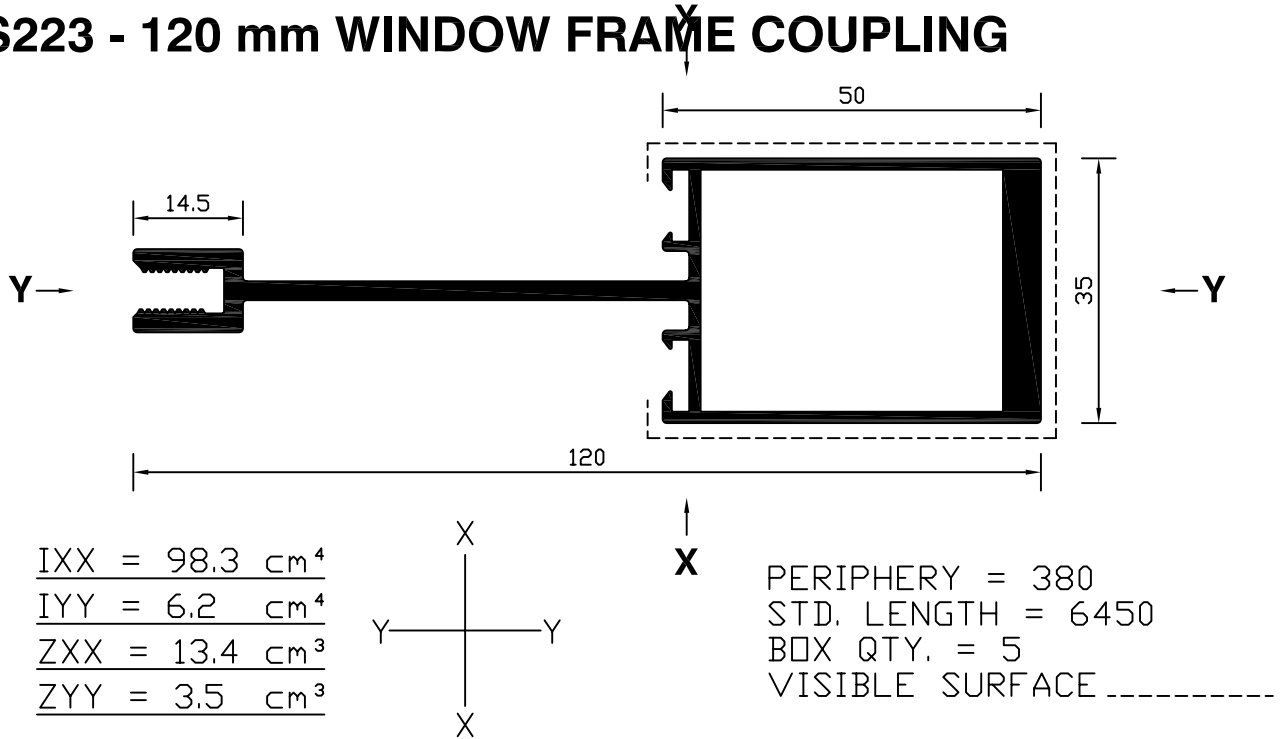


|          |   |      |                 |
|----------|---|------|-----------------|
| $I_{XX}$ | = | 49.2 | cm <sup>4</sup> |
| $I_{YY}$ | = | 3.7  | cm <sup>4</sup> |
| $Z_{XX}$ | = | 8.4  | cm <sup>3</sup> |
| $Z_{YY}$ | = | 2.1  | cm <sup>3</sup> |



**ALL DIMENSIONS IN MM**

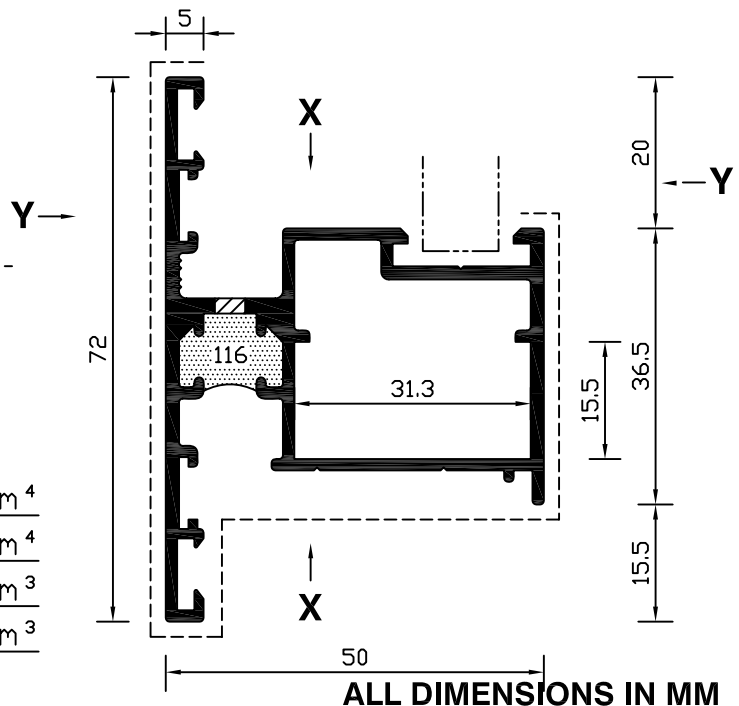
**CS223 - 120 mm WINDOW FRAME COUPLING**



**CS224 - SEE CS524**

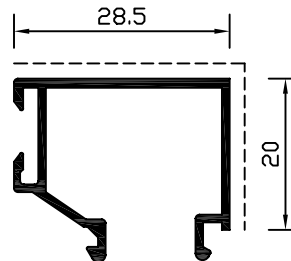
**CS225 - PROJECTED OUT, TOP HUNG SASH (T.B)  
OBSOLETER WHEN STOCKS EXHAUSTED**

PERIPHERY = 411  
 STD. LENGTH = 6450  
 BOX QTY. = 6  
 VISIBLE SURFACE -----  
 NO PAINT AREA -----



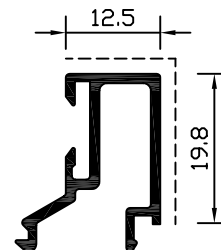
**CS226 - SINGLE GLAZING WINDOW BEAD  
(SQUARE)**

PERIPHERY = 191  
STD. LENGTH = 6450  
BOX QTY. = 20  
VISIBLE SURFACE .....



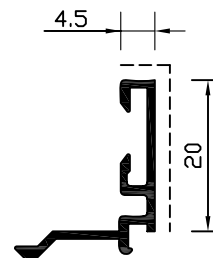
**CS227 - DOUBLE GLAZING WINDOW BEAD  
(SQUARE)**

PERIPHERY = 152  
STD. LENGTH = 6450  
BOX QTY. = 25  
VISIBLE SURFACE .....



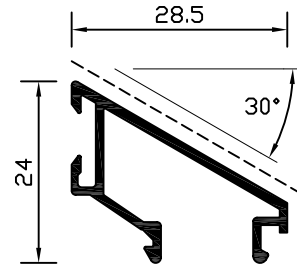
**CS228 - DOUBLE GLAZING WINDOW BEAD  
(SQUARE)**

PERIPHERY = 103  
STD. LENGTH = 6450  
BOX QTY. = 40  
VISIBLE SURFACE .....



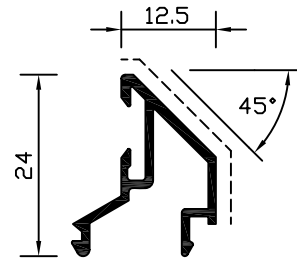
**CS229 - SINGLE GLAZING BEAD (SLOPING)**

PERIPHERY = 160  
STD. LENGTH = 6450  
BOX QTY. = 20  
VISIBLE SURFACE -----

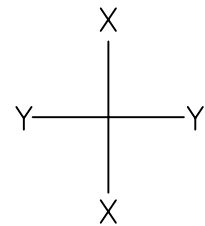
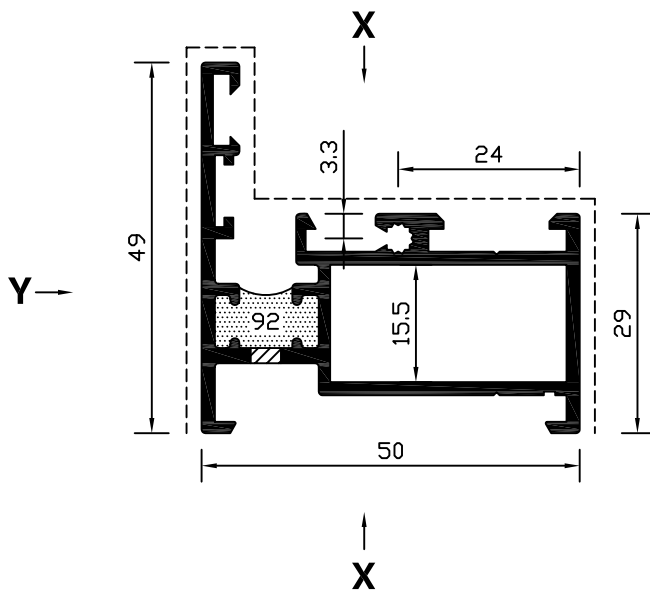


**CS230 - DOUBLE GLAZING BEAD (SLOPING)**

PERIPHERY = 136  
STD. LENGTH = 6450  
BOX QTY. = 25  
VISIBLE SURFACE -----



**CS231 - FIXED LIGHT & OUTER FRAME (T.B)**  
**OBSOLETE WHEN STOCKS EXHAUSTED**



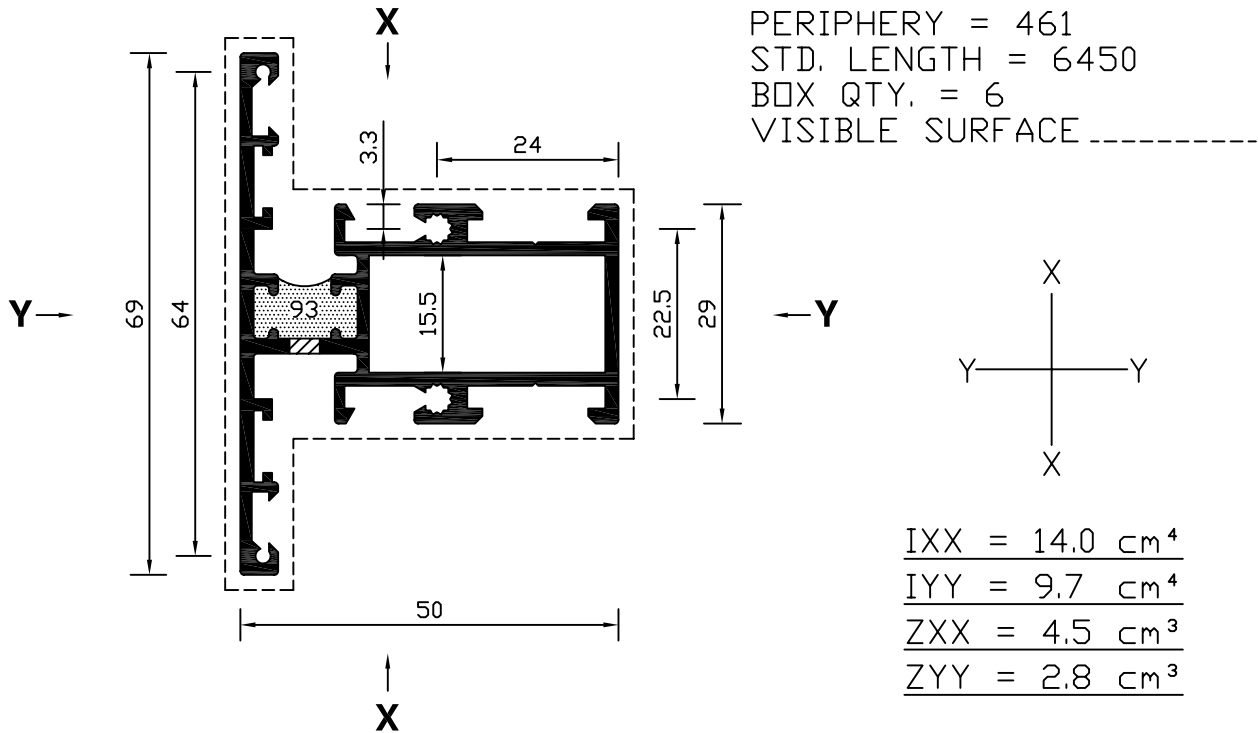
$$\begin{aligned} I_{XX} &= 11.9 \text{ cm}^4 \\ I_{YY} &= 5.0 \text{ cm}^4 \\ Z_{XX} &= 4.1 \text{ cm}^3 \\ Z_{YY} &= 1.6 \text{ cm}^3 \end{aligned}$$

PERIPHERY = 359  
STD. LENGTH = 6450  
BOX QTY. = 8  
VISIBLE SURFACE -----

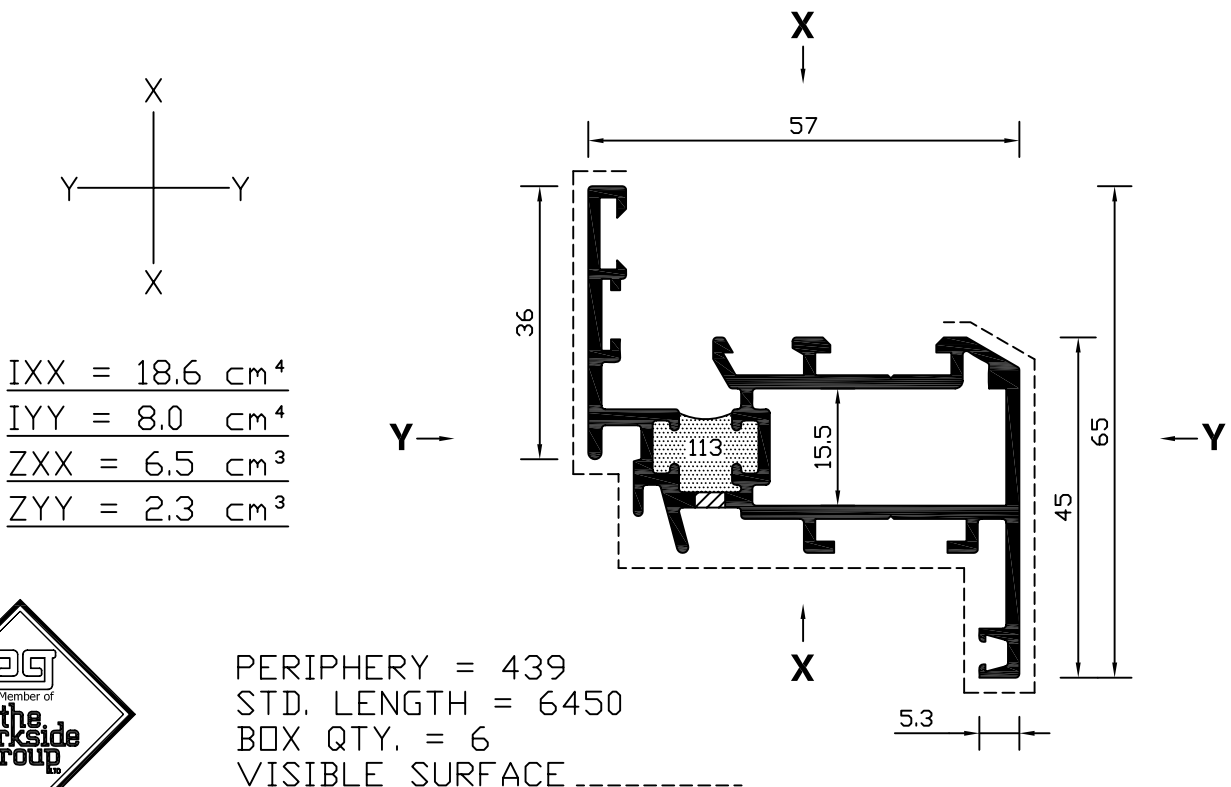
**ALL DIMENSIONS IN MM**



**CS232 - MULLION / TRANSOM & ODD LEG OUTER FRAME (T.B) OBSOLETE WHEN STOCKS EXHAUSTED**



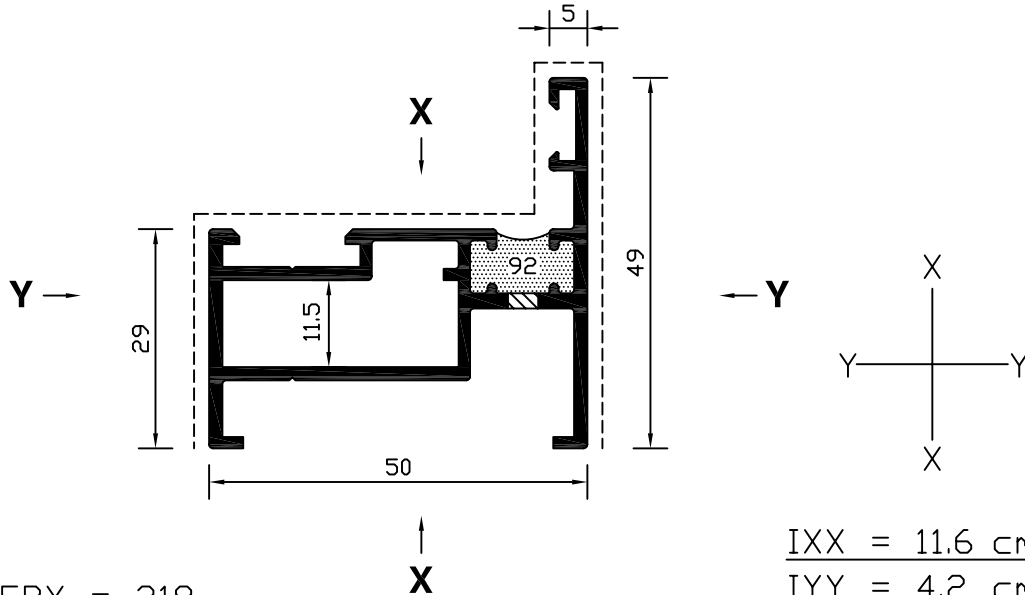
**CS233 - TILT / TURN & OPEN IN SASH (T.B) OBSOLETE WHEN STOCKS EXHAUSTED**



**ALL DIMENSIONS IN MM**



**CS234 - FIXED LIGHT & OUTER FRAME (T.B)  
OBSOLETE WHEN STOCKS EXHAUSTED**

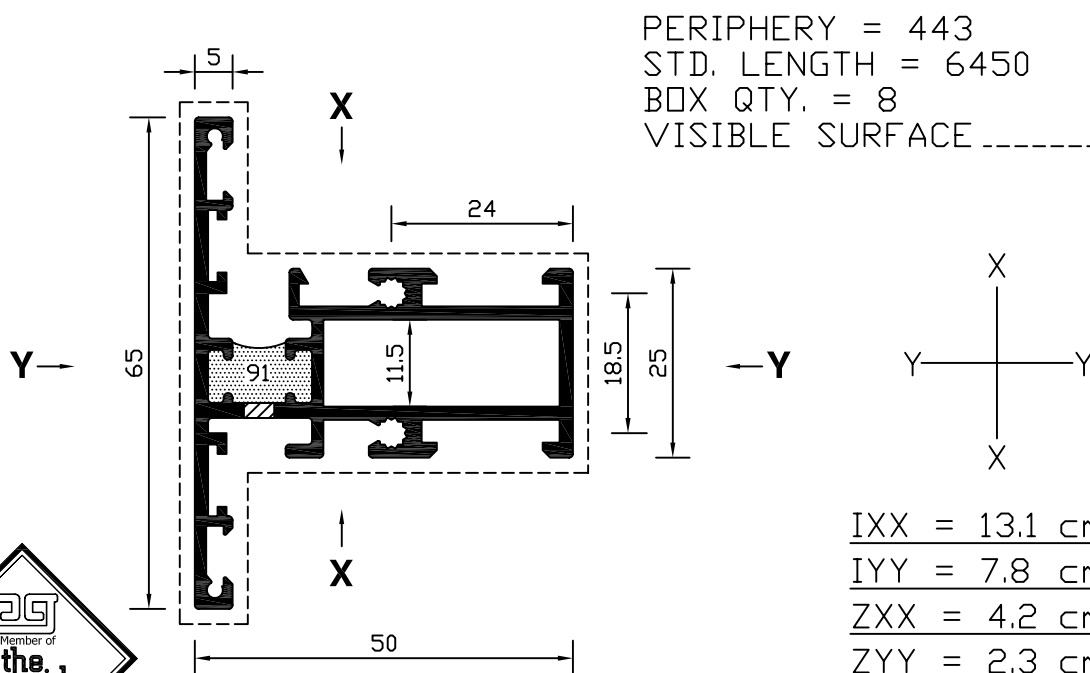


PERIPHERY = 318  
STD. LENGTH = 6450  
BOX QTY. = 8  
VISIBLE SURFACE .....

$$\frac{I_{XX} = 11.6 \text{ cm}^4}{I_{YY} = 4.2 \text{ cm}^4}$$

$$\frac{Z_{XX} = 4.1 \text{ cm}^3}{Z_{YY} = 1.4 \text{ cm}^3}$$

**CS235 - MULLION / TRANSOM & PROJECTED OUT SASH  
OBSOLETE WHEN STOCKS EXHAUSTED**



PERIPHERY = 443  
STD. LENGTH = 6450  
BOX QTY. = 8  
VISIBLE SURFACE .....

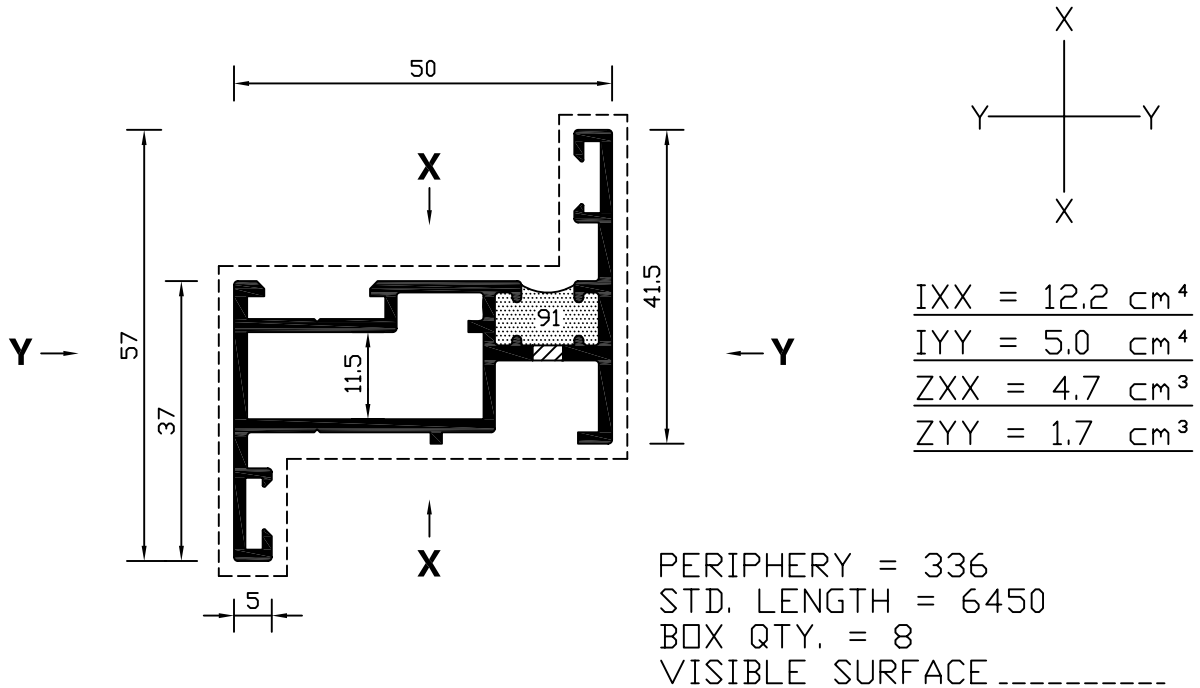
$$\frac{I_{XX} = 13.1 \text{ cm}^4}{I_{YY} = 7.8 \text{ cm}^4}$$

$$\frac{Z_{XX} = 4.2 \text{ cm}^3}{Z_{YY} = 2.3 \text{ cm}^3}$$

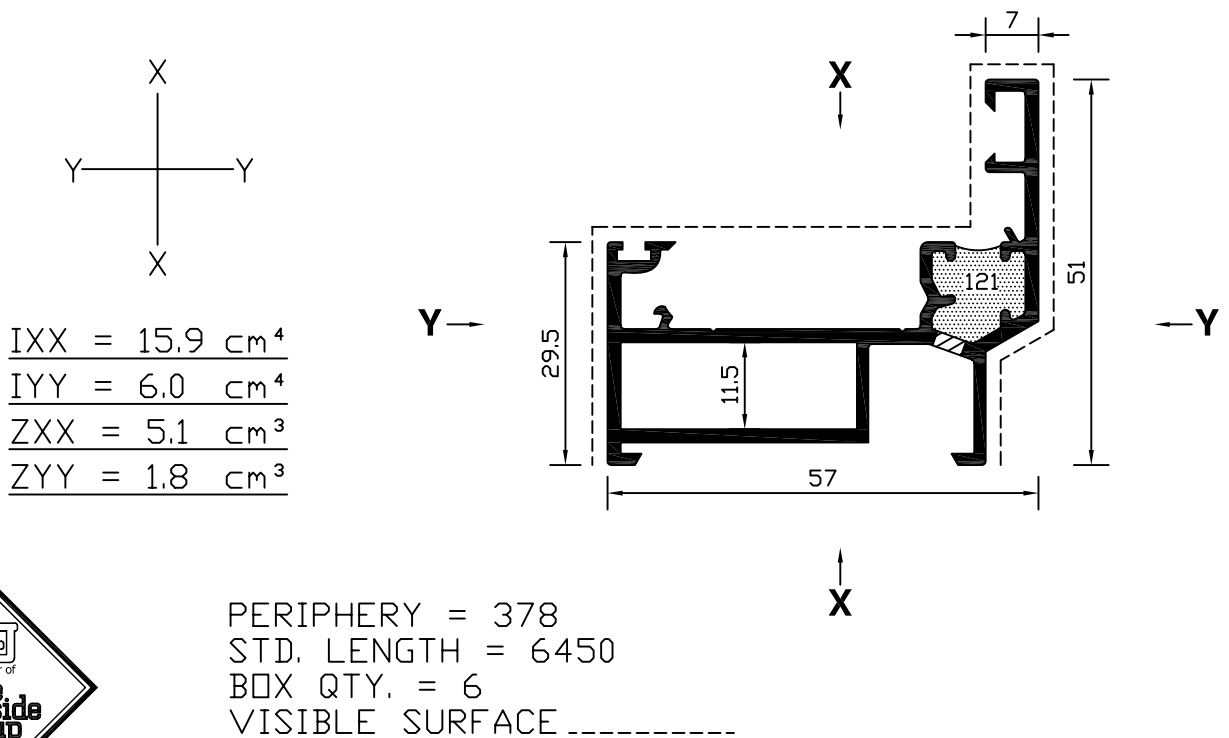
**ALL DIMENSIONS IN MM**



**CS236 - FIXED / OPEN VENT (T.B)  
OBSOLETE WHEN STOCKS EXHAUSTED**



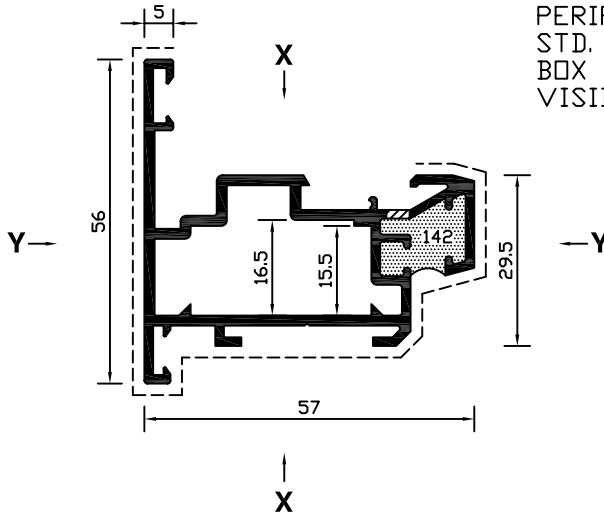
**CS237 - OUTER CASEMENT FRAME  
OBSOLETE WHEN STOCKS EXHAUSTED**



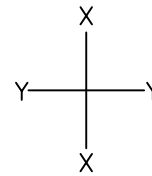
**ALL DIMENSIONS IN MM**



**CS238 - CASEMENT VENT, TOP SWING (T.B)**  
**OBSOLETE WHEN STOCKS EXHAUSTED**



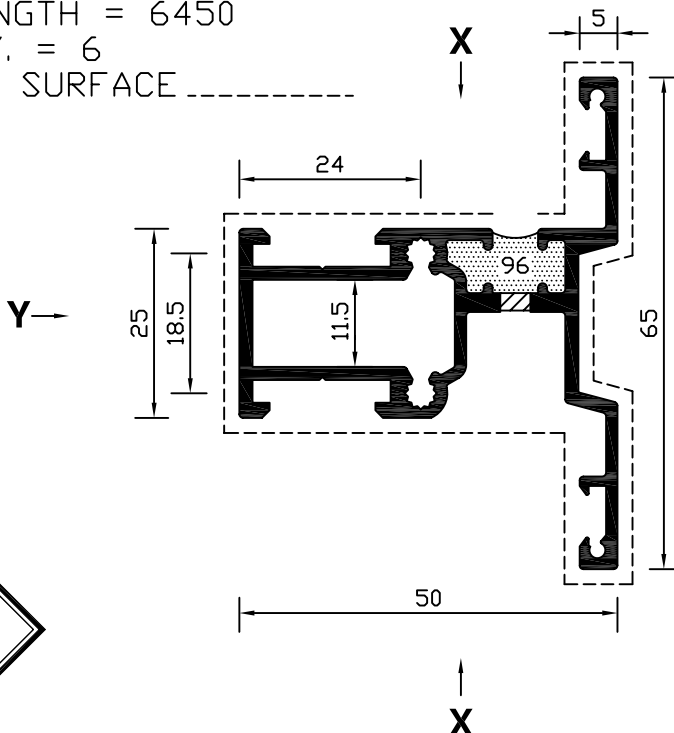
PERIPHERY = 388  
STD. LENGTH = 6450  
BOX QTY. = 6  
VISIBLE SURFACE -----



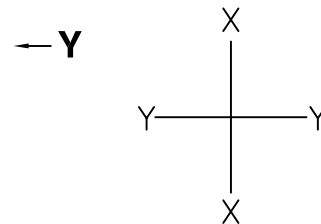
$I_{XX} = 16.1 \text{ cm}^4$   
 $I_{YY} = 6.7 \text{ cm}^4$   
 $Z_{XX} = 4.9 \text{ cm}^3$   
 $Z_{YY} = 2.1 \text{ cm}^3$

**CS239 - MULLION / TRANSOM (T.B)**  
**OBSOLETE WHEN STOCKS EXHAUSTED**

PERIPHERY = 376  
STD. LENGTH = 6450  
BOX QTY. = 6  
VISIBLE SURFACE -----



**AS A TRANSOM  
USE THIS WAY  
UP ONLY**

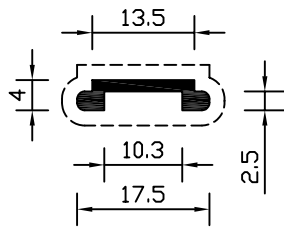


$I_{XX} = 12.0 \text{ cm}^4$   
 $I_{YY} = 7.5 \text{ cm}^4$   
 $Z_{XX} = 4.1 \text{ cm}^3$   
 $Z_{YY} = 2.2 \text{ cm}^3$

**ALL DIMENSIONS IN MM**

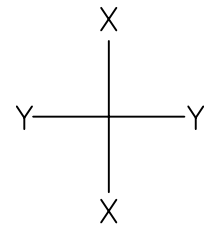
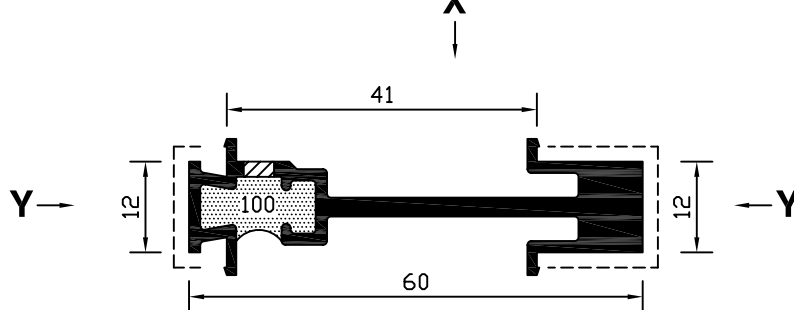


**CS240 - EURO GROOVE LOCK ROD**



PERIPHERY = 48 (100 MIN)  
STD. LENGTH = 4000  
BOX QTY. = 50  
VISIBLE SURFACE -----

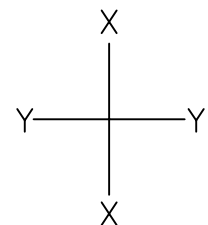
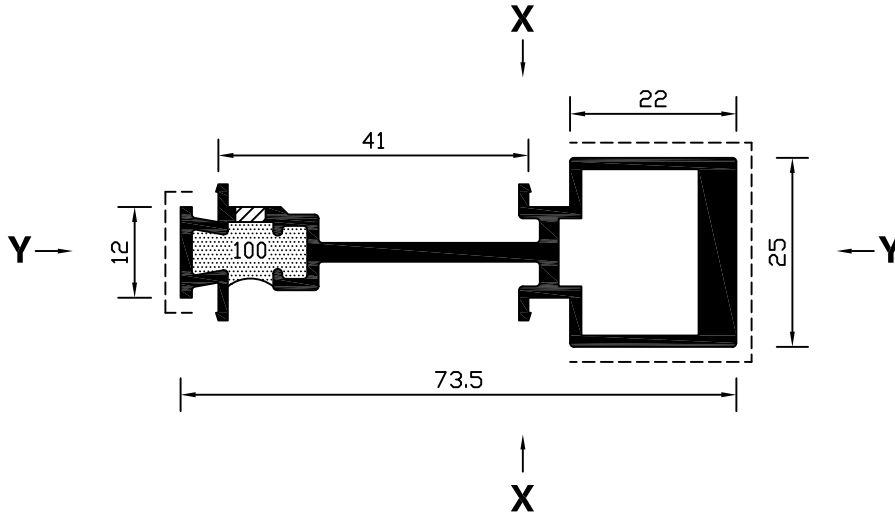
**CS241 - WINDOW COUPLING (T.B)  
OBSOLETE WHEN STOCKS EXHAUSTED**



PERIPHERY = 269  
STD. LENGTH = 6450  
BOX QTY. = 8  
VISIBLE SURFACE -----

$I_{XX} = 12.3 \text{ cm}^4$   
 $I_{YY} = 0.39 \text{ cm}^4$   
 $Z_{XX} = 3.5 \text{ cm}^3$   
 $Z_{YY} = 0.43 \text{ cm}^3$

**CS242 - WINDOW COUPLING (T.B)  
OBSOLETE WHEN STOCKS EXHAUSTED**



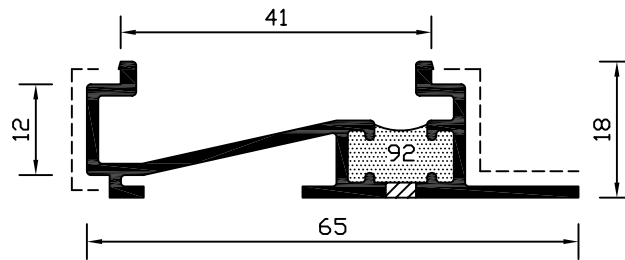
PERIPHERY = 310  
STD. LENGTH = 6450  
BOX QTY. = 5  
VISIBLE SURFACE -----

$I_{XX} = 23.9 \text{ cm}^4$   
 $I_{YY} = 1.7 \text{ cm}^4$   
 $Z_{XX} = 5.2 \text{ cm}^3$   
 $Z_{YY} = 1.4 \text{ cm}^3$

**ALL DIMENSIONS IN MM**



**CS243 - SUB SILL (T.B)  
OBSOLETE WHEN STOCKS EXHAUSTED**



PERIPHERY = 275  
STD. LENGTH = 6450  
BOX QTY. = 10  
VISIBLE SURFACE.....

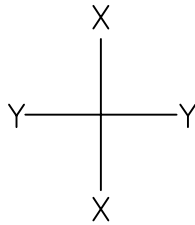
**SPARE**

**CS244 NOW OBSOLETE  
(SUPERSEDED BY CS212, 213, 214)**

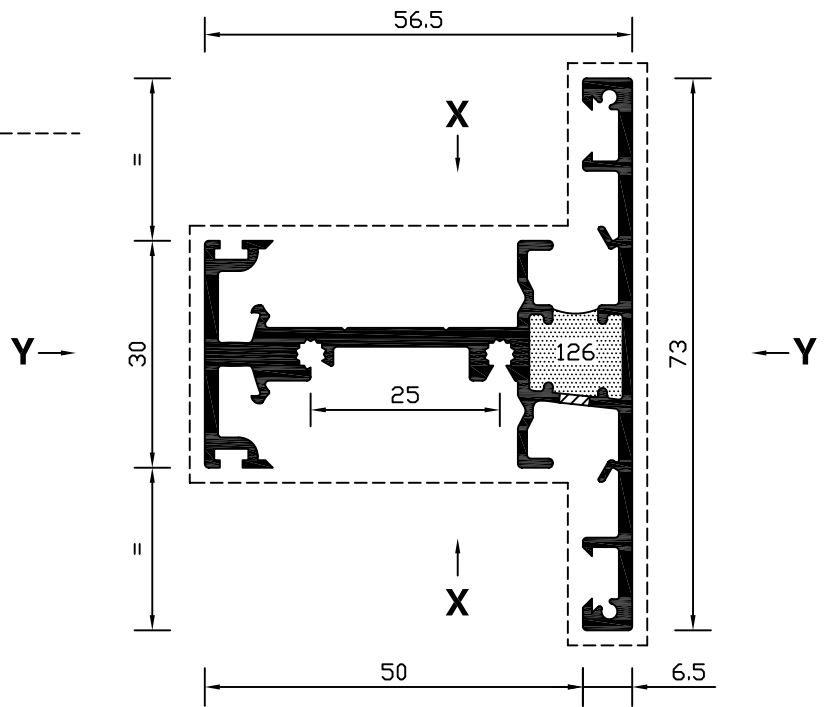


**CS245 - MULLION / TRANSOM  
OBSOLETE WHEN STOCKS EXHAUSTED**

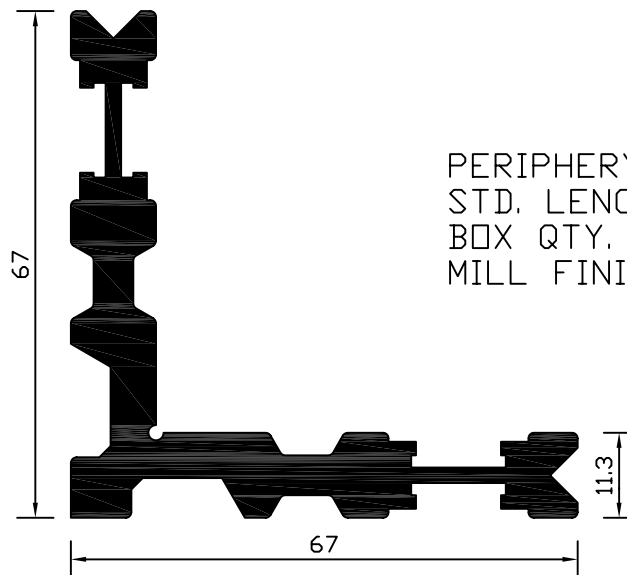
PERIPHERY = 551  
STD. LENGTH = 6450  
BOX QTY. = 6  
VISIBLE SURFACE -----



$$\begin{aligned} I_{XX} &= 21.2 \text{ cm}^4 \\ I_{YY} &= 11.2 \text{ cm}^4 \\ Z_{XX} &= 6.3 \text{ cm}^3 \\ Z_{YY} &= 3.0 \text{ cm}^3 \end{aligned}$$



**CS246 - 11 mm WINDOW CORNER CLEAT**

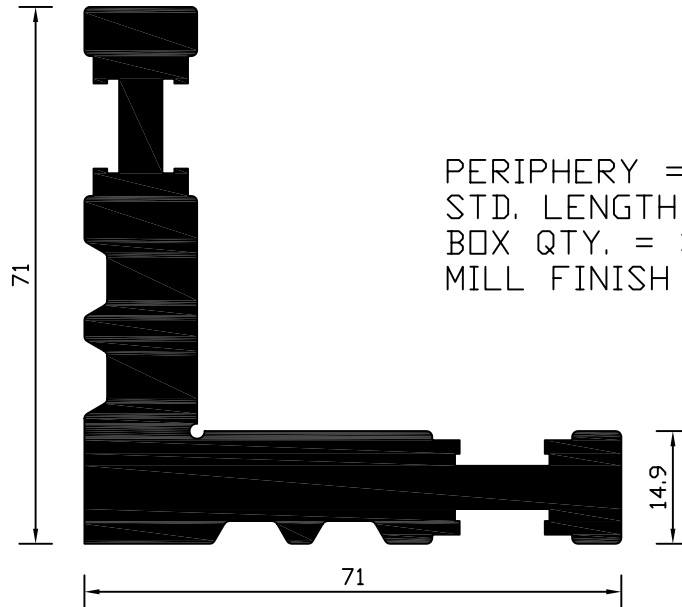


PERIPHERY = N/A  
STD. LENGTH = 6450  
BOX QTY. = 5  
MILL FINISH ONLY



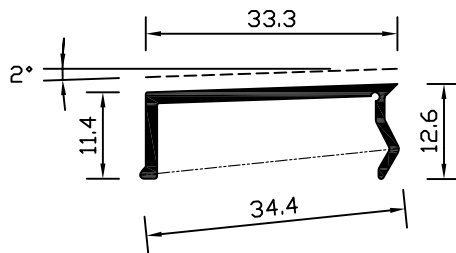
**ALL DIMENSIONS IN MM**

**CS247 - 15 mm WINDOW CORNER CLEAT**



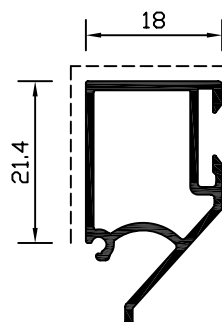
PERIPHERY = N/A  
STD. LENGTH = 6450  
BOX QTY. = 3  
MILL FINISH ONLY

**CS248 - SILL / TRANSOM FILLER  
TOP SWING WINDOW**



PERIPHERY = 113  
STD. LENGTH = 6450  
BOX QTY. = 30  
VISIBLE SURFACE .....

**CS249 - FIXED LIGHT EXTERNAL BEAD (D/G)  
(TO SUIT CS237 / CS245)**



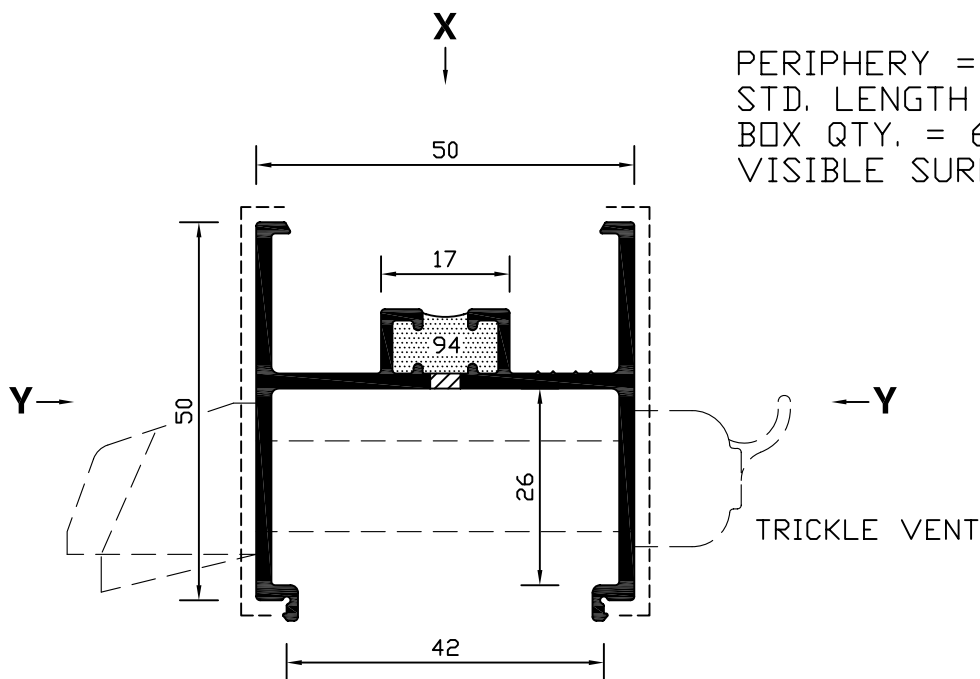
PERIPHERY = 129  
STD. LENGTH = 6450  
BOX QTY. = 24  
VISIBLE SURFACE .....



**SPARE**

**CS250 NOW OBSOLETE**

**CS251 - 50 mm OUTER FRAME EXTENSION (T.B)  
OBSOLETE WHEN STOCKS EXHAUSTED**



PERIPHERY = 384  
STD. LENGTH = 6450  
BOX QTY. = 6  
VISIBLE SURFACE .....

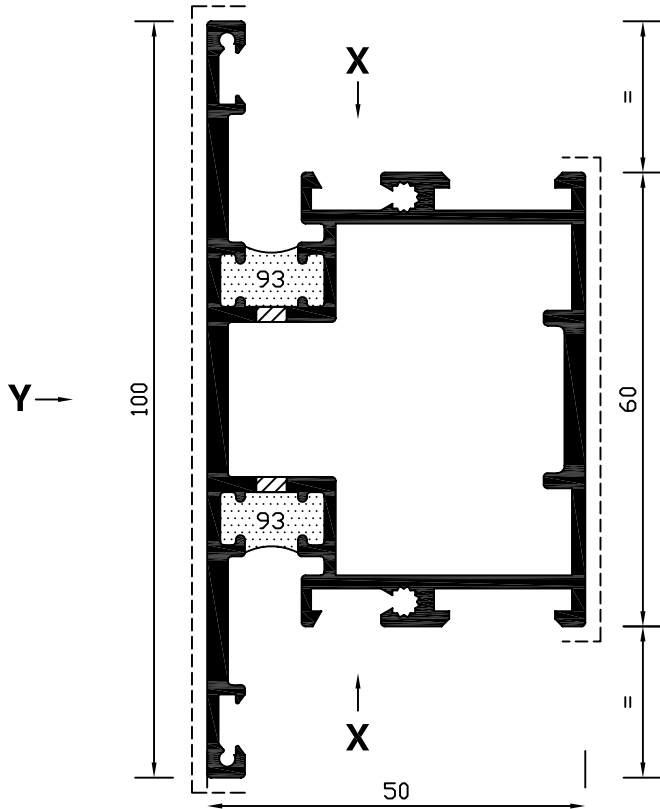
$$\begin{aligned} I_{XX} &= 14.6 \text{ cm}^4 \\ I_{YY} &= 6.4 \text{ cm}^4 \\ Z_{XX} &= 5.8 \text{ cm}^3 \\ Z_{YY} &= 2.2 \text{ cm}^3 \end{aligned}$$

**ALL DIMENSIONS IN MM**

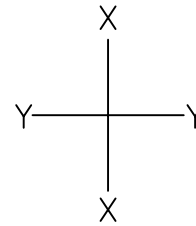


**CS252 - 100 mm TRANSOM / MULLION (T.B)**

**OBSOLETE WHEN STOCKS EXHAUSTED**



PERIPHERY = 539  
STD. LENGTH = 6450  
BOX QTY. = 4  
VISIBLE SURFACE -----



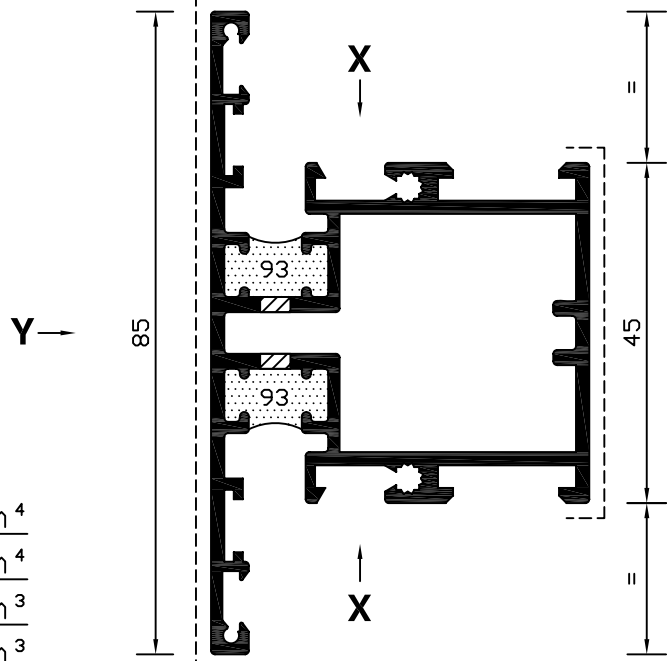
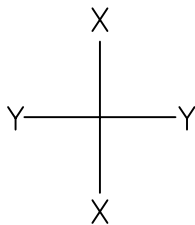
$$\frac{I_{XX}}{I_{YY}} = \frac{25.1 \text{ cm}^4}{41.5 \text{ cm}^4}$$

$$\frac{Z_{XX}}{Z_{YY}} = \frac{8.3 \text{ cm}^3}{8.3 \text{ cm}^3}$$

**CS253 - 85 mm TRANSOM / MULLION (T.B)**

**OBSOLETE WHEN STOCKS EXHAUSTED**

PERIPHERY = 532  
STD. LENGTH = 6450  
BOX QTY. = 4  
VISIBLE SURFACE -----



$$\frac{I_{XX}}{I_{YY}} = \frac{18.9 \text{ cm}^4}{21.6 \text{ cm}^4}$$

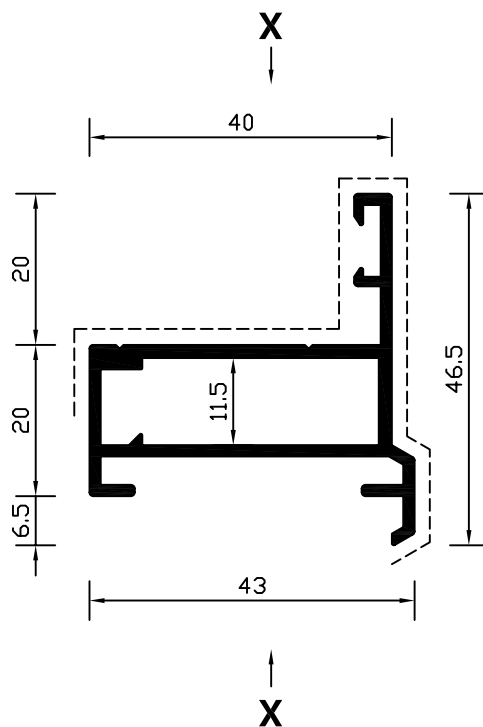
$$\frac{Z_{XX}}{Z_{YY}} = \frac{6.2 \text{ cm}^3}{5.0 \text{ cm}^3}$$

50  
**ALL DIMENSIONS IN MM**

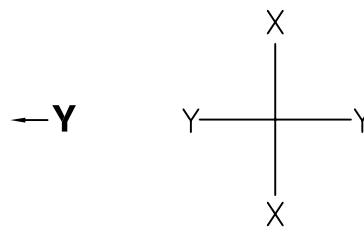


**SPARE**

**CS263 - 50 mm WINDOW TRANSFER  
OBSOLETE WHEN STOCKS EXHAUSTED**



PERIPHERY = 228  
STD. LENGTH = 6450  
BOX QTY. = 12  
VISIBLE SURFACE -----



$$\begin{aligned} I_{XX} &= 6.1 \text{ cm}^4 \\ I_{YY} &= 2.9 \text{ cm}^4 \\ Z_{XX} &= 2.5 \text{ cm}^3 \\ Z_{YY} &= 1.1 \text{ cm}^3 \end{aligned}$$

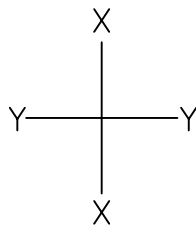
**ALL DIMENSIONS IN MM**



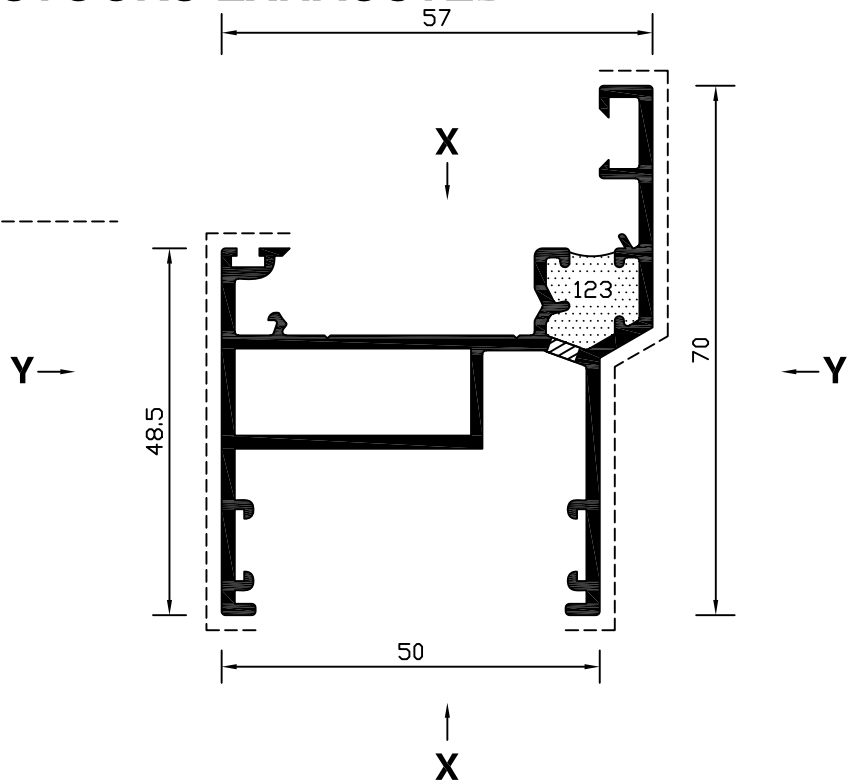


**CS297 - FIXED LIGHT & LONG LEG OUTER FRAME (T.B)  
OBSOLETE WHEN STOCKS EXHAUSTED**

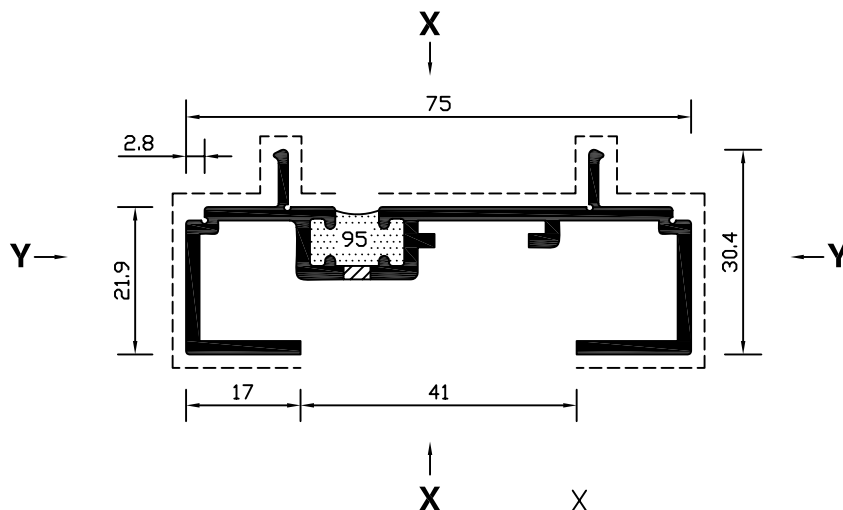
PERIPHERY = 481  
STD. LENGTH = 6450  
BOX QTY. = 6  
VISIBLE SURFACE -----



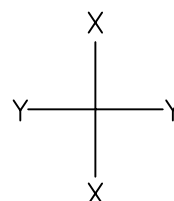
$$\begin{aligned} I_{XX} &= 20.9 \text{ cm}^4 \\ I_{YY} &= 12.3 \text{ cm}^4 \\ Z_{XX} &= 7.0 \text{ cm}^3 \\ Z_{YY} &= 3.2 \text{ cm}^3 \end{aligned}$$



**CS299-20 mm DIRECT FIX WINDOW EXTENSION**



PERIPHERY = 407  
STD. LENGTH = 6450  
BOX QTY. = 6  
VISIBLE SURFACE -----



$$\begin{aligned} I_{XX} &= 24.7 \text{ cm}^4 \\ I_{YY} &= 2.4 \text{ cm}^4 \\ Z_{XX} &= 6.3 \text{ cm}^3 \\ Z_{YY} &= 1.5 \text{ cm}^3 \end{aligned}$$



**ALL DIMENSIONS IN MM**