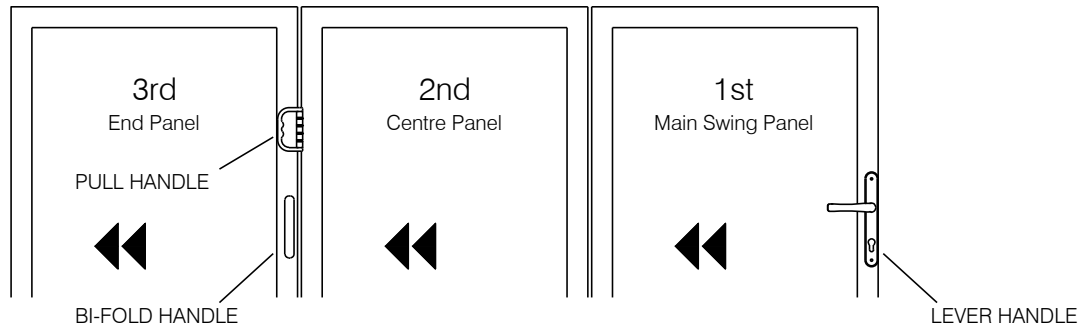


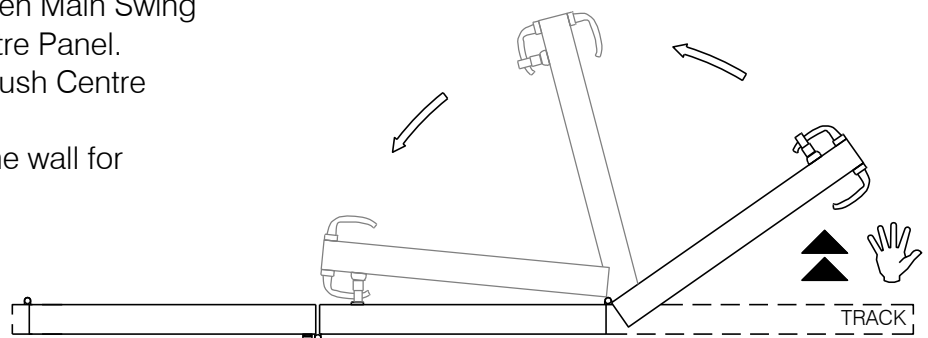
HOW TO OPERATE

LEFT HAND STACKING OUTWARD OPENING

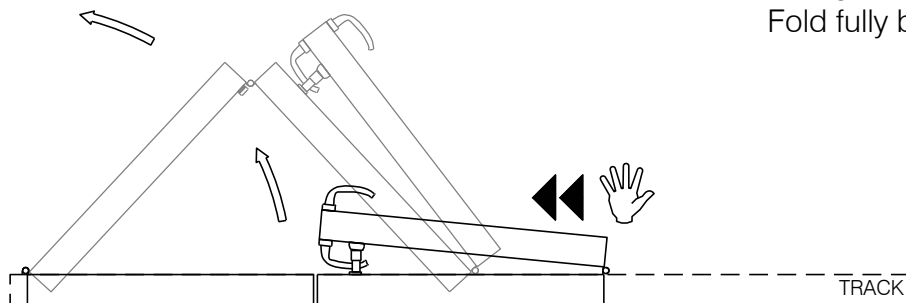
****IMPORTANT: REMOVE KEYS PRIOR TO FOLDING OPEN****



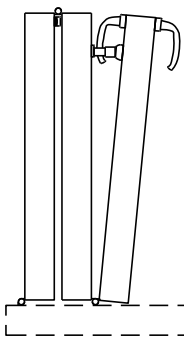
1. Starting from Main Swing Panel, operate Lever Handle then outward open Main Swing Panel inline with adjacent Centre Panel.
2. Release Bi-Fold handle then push Centre Panel adjacent to End Panel.
3. Fold all panels back against the wall for maximum opening.



STAGE 1 (Inside View)
Swing door opens first
Fold fully back in-line



STAGE 2 (Inside View)
Push to collapse out
Push from roller side to control door



STAGE 3 (Inside View)
Fully open position

HOW TO CLOSE

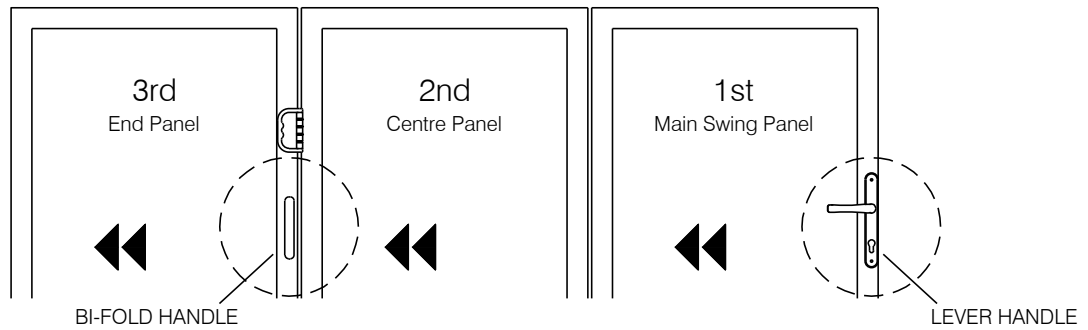
Reverse procedure from above.

1. Hold Main Swing Panel and Centre Panel and walk in direction of track.
2. Use Pull Handle attached to hinge above Bi-Fold handle to pull doors central to track before operating Bi-Fold handle.
3. Close and secure the main swing panel.

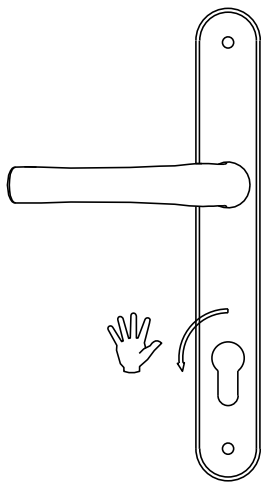
HOW TO OPERATE

LEFT HAND STACKING OUTWARD OPENING

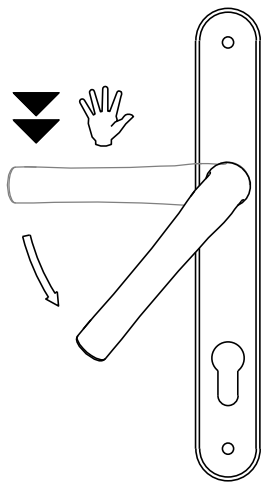
****IMPORTANT: REMOVE KEYS PRIOR TO FOLDING OPEN****



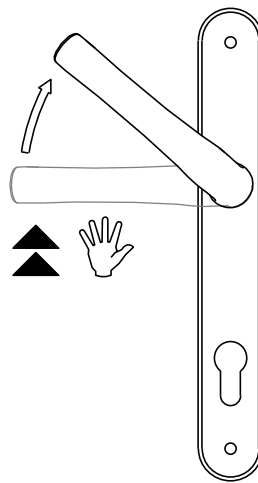
OPERATE THE LEVER HANDLE AS SHOWN



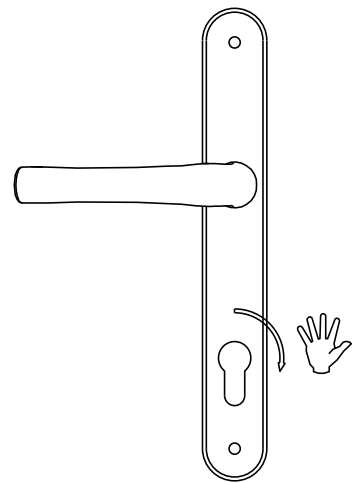
1. To Open
Use key to release handle operation



2. To Open
Rotate handle to retract locks and push door open

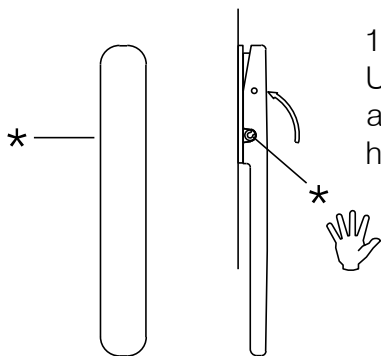


1. To Close
Pull door into frame and rotate handle to engage locks



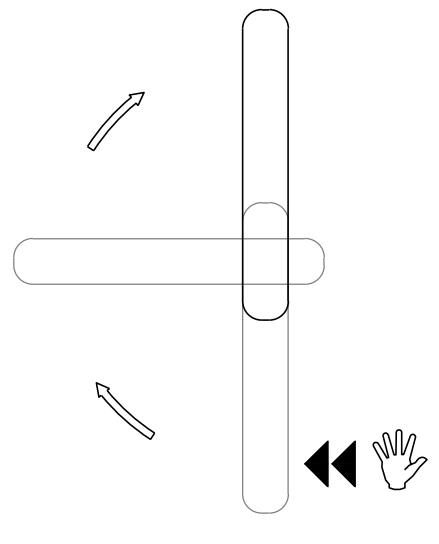
2. To Close
Use key to prevent handle operation

OPERATE THE BI-FOLD HANDLE AS SHOWN



1. To Open
Use key to side of handle and rotate to release handle operation

2. To Open
Lift Bi-Fold handle towards you and rotate through 180° to release Bi-Fold doors



Reverse procedure to lock Bi-Fold doors