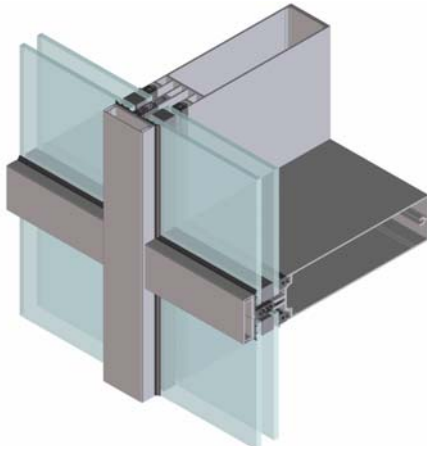


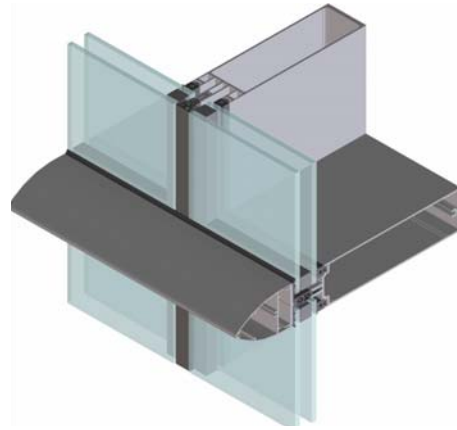
Copyright and ownership of this drawing is vested in EFT, Euro Facade Systems Ltd, whose prior written consent is required for its use, reproduction or for publication to any third party. All other rights reserved. Subject to modifications.

1 Stick Curtain Walling

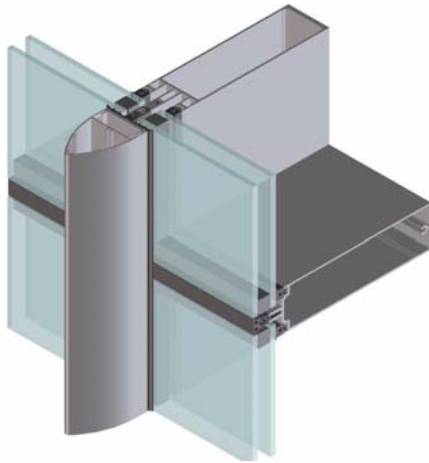
Comar 6EFT



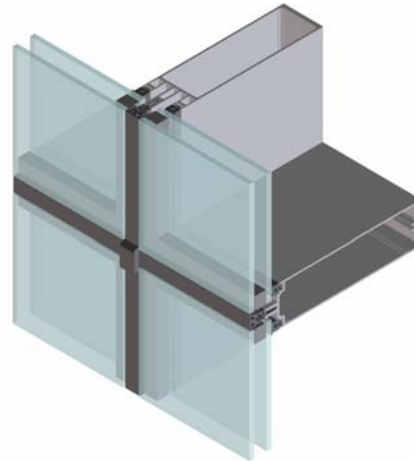
Capped



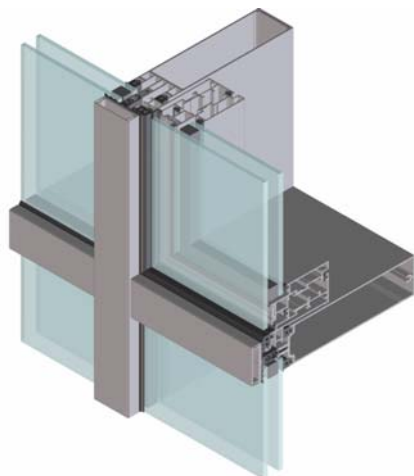
2sided SGH



2sided SGV



4sided SG



Concealed Vent

Changes reserved
Sous reserve de modifications
Änderungen vorbehalten

Issue: 05
Date : 10-16

Fabricators Guide

Introduction

Designing reassurance from the first stroke of a pencil is often the desire of even the most innovative practice. A proven system that has the potential of providing bespoke solutions exceeding current capability is now a reality.

To provide a flexible approach to aluminium facade engineering, Comar Architectural Aluminium Systems launch Comar 6 EFT utilising European wide design and extrusion expertise with Comar's market leading supply, support and delivery.

Comar 6 EFT delivers curtain walling with 50 mm standardised sight-lines with options for 4 sided structural glazing, 2 sided structural glazing with horizontal (SGH) or vertical (SGV) capping, concealed vents which maintain the slim 50 mm sight - lines.

Comar 6 EFT offers architects a custom-made solution with time proven reassurance. Design flexibility is at your finger-tips which offers performance beyond the capability of existing systems.

Comar 6 EFT Curtain Walling

The Comar 6 EFT 50 Curtain Walling Systems have been developed by experienced designers and are tested to the best European test institutes.

Comar 6 EFT Curtain Walling and Comar 6 EFT Concealed Vent System is the result of in-depth research and architecturally oriented developments.

The Comar 6 EFT Curtain Walling Systems:

1 Facades

1. Comar 6 EFT Capped Curtain Walling

Capped glazing system for vertical applications in single or double glazing.

2. Comar 6 EFT 2 Sided SGH

Two sided structural glazing with horizontal cover cap for vertical applications in single or double glazing.

3. Comar 6 EFT 2 Sided SGV

Two sided structural glazing with vertical cover cap for vertical or sloping applications in single or double glazing.

4. Comar 6 EFT 4 Sided SG

Four sided structural glazing for vertical or sloping applications in single or double glazing.

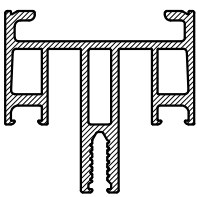
2 Windows

5. Comar 6 EFT Concealed Vent

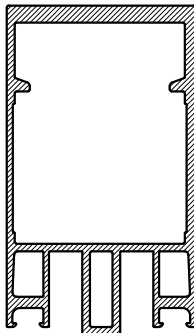
Top project or side project window range, Integrated into Comar 6 EFT Fully Capped Curtain Walling, Comar 6 EFT 2sided SGV or SGH & Comar 6 EFT 4sided SG

Copyright and ownership of this drawing is vested in EFT, Euro Facade Systems Ltd, whose prior written consent is required for its use, reproduction or for publication to any third party. All other rights reserved. Subject to modifications.

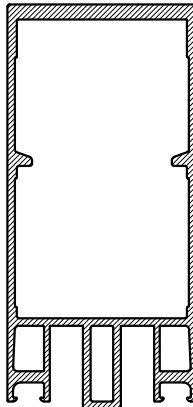
Mullions



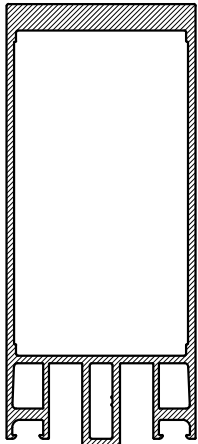
1025
30mm mullion
Direct fix to steel or timber



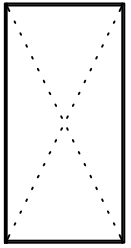
1070
85mm mullion



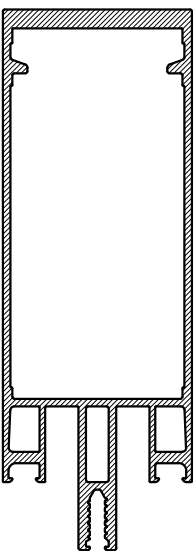
1072
105mm mullion



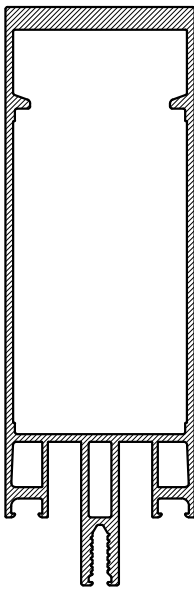
1069
115mm mullion



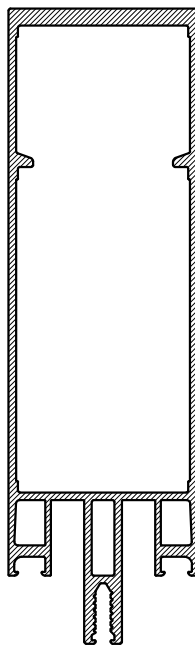
1.00



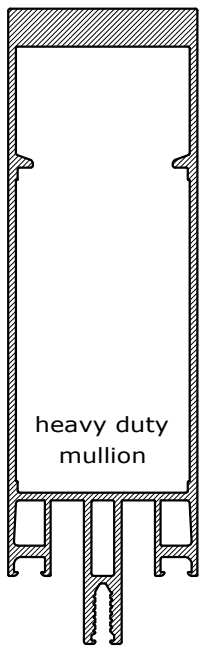
1073
125mm mullion



1074
135mm mullion



1076
150mm mullion

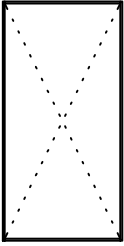


1075
150mm mullion
heavy duty mullion

Profiles Identification

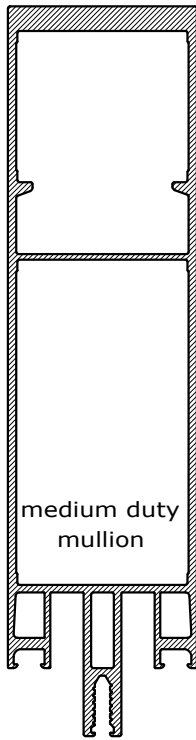
Changes reserved
Sous reserve de modifications
Änderungen vorbehalten

Issue: 05
Date : 10-16



1.01

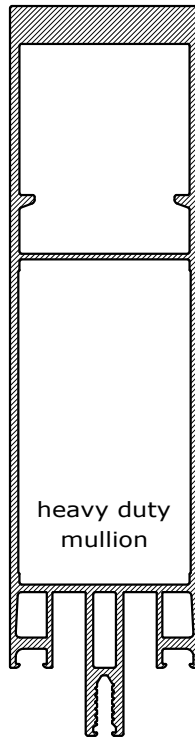
Profiles Identification



medium duty
mullion

1077

175mm mullion



heavy duty
mullion

1085

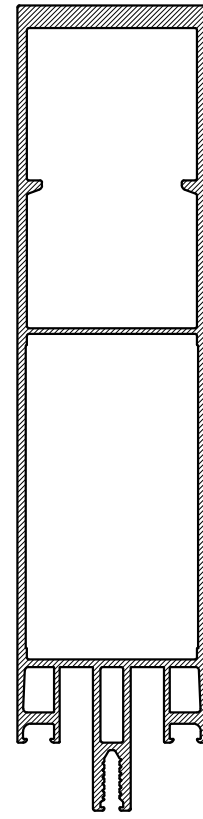
175mm mullion



**OBSOLETE
WHEN STOCKS
EXHAUSTED**

1078

180mm mullion



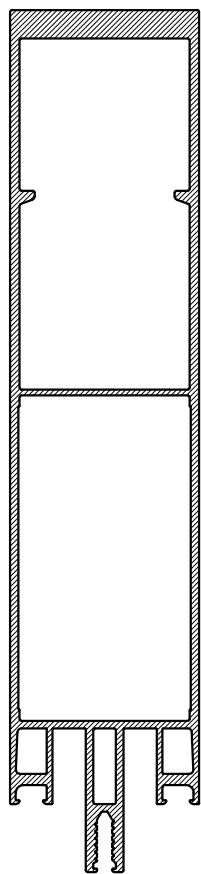
1080

195mm mullion

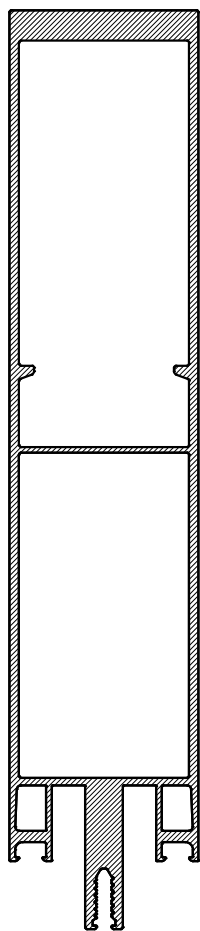
Copyright and ownership of this drawing is vested in EFT,
Euro Facade Systems Ltd, whose prior written consent is required
for its use, reproduction or for publication to any third party.
All other rights reserved. Subject to modifications.

Mullions

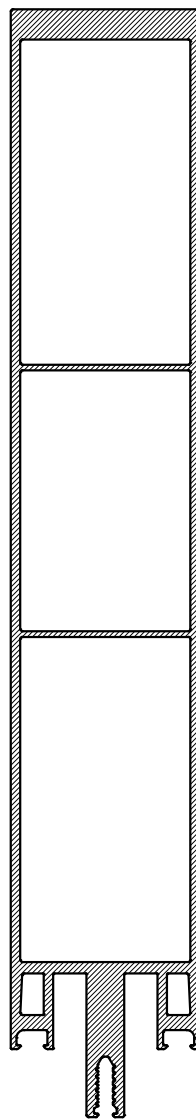
Copyright and ownership of this drawing is vested in EFT, Euro Facade Systems Ltd, whose prior written consent is required for its use, reproduction or for publication to any third party. All other rights reserved. Subject to modifications.



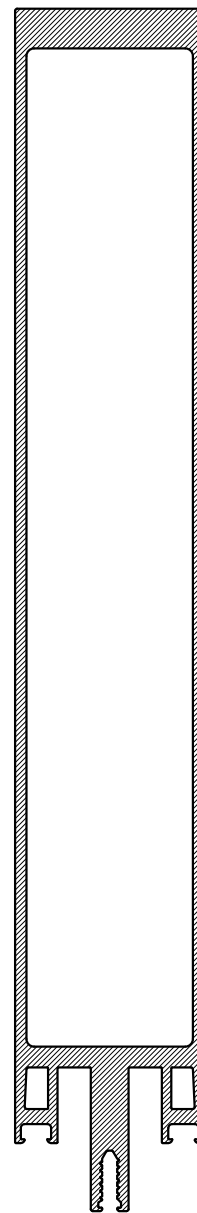
1082
210mm mullion



1087 *
225mm mullion



1090 *
275mm mullion



1095 *
300mm mullion



1.02

Profiles Identification

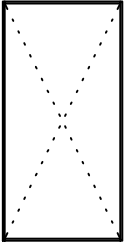
* These profiles are for project only and not held in stock. Profiles will be subject to longer lead times. Please contact our office for information.

Changes reserved
Sous reserve de modifications
Änderungen vorbehalten

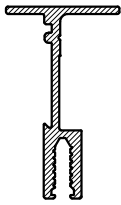
Issue: 05
Date : 04-17

Comar 6EFT

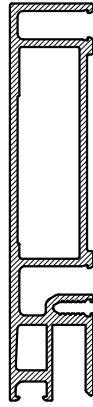
Split Mullions



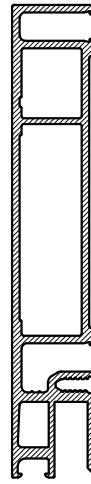
1.03



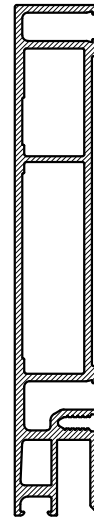
1033
Split mullion
nosing adaptor



1037
105mm split
mullion

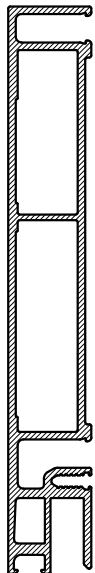


1038
125mm split
mullion

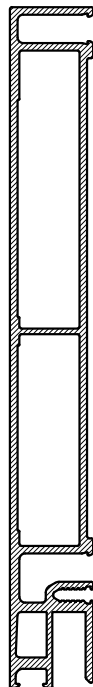


1039
135mm split
mullion

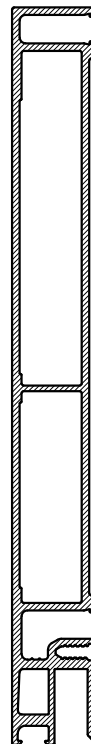
Profiles Identification



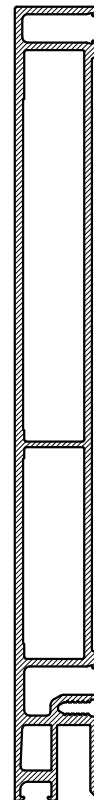
1040
150mm split
mullion



1042
180mm split
mullion



1043
195mm split
mullion

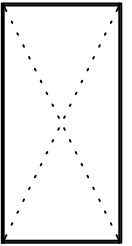


1044
210mm split
mullion

Copyright and ownership of this drawing is vested in EFT, Euro Facade Systems Ltd, whose prior written consent is required for its use, reproduction or for publication to any third party. All other rights reserved. Subject to modifications.

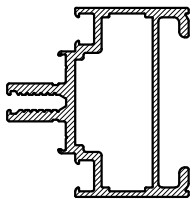


Transoms



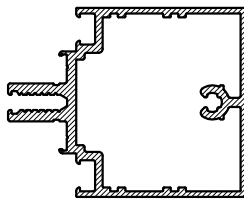
1.04

Copyright and ownership of this drawing is vested in EFT, Euro Facade Systems Ltd, whose prior written consent is required for its use, reproduction or for publication to any third party. All other rights reserved. Subject to modifications.



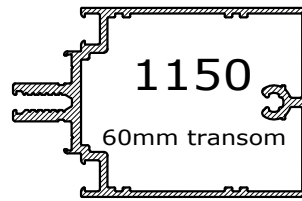
1125

30mm transom Direct fix to steel or timber



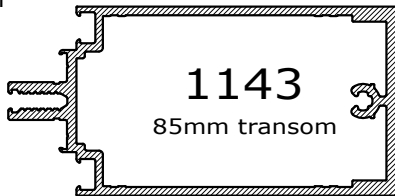
1149

45mm transom



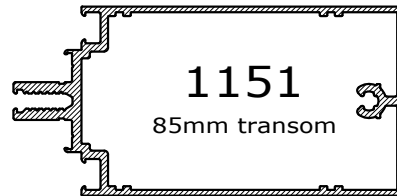
1150

60mm transom



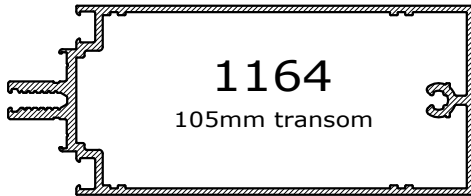
1143

85mm transom



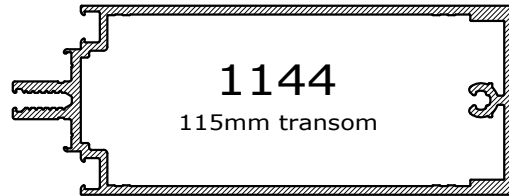
1151

85mm transom



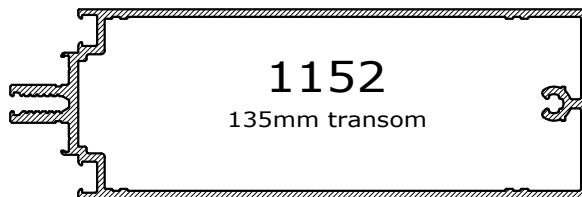
1164

105mm transom



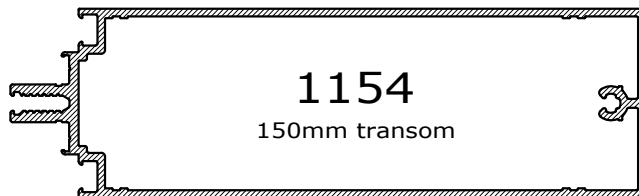
1144

115mm transom



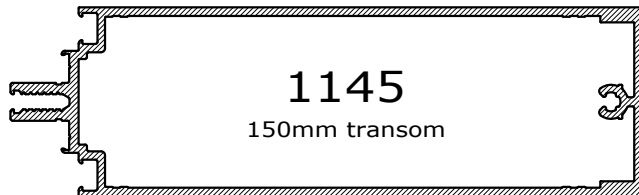
1152

135mm transom



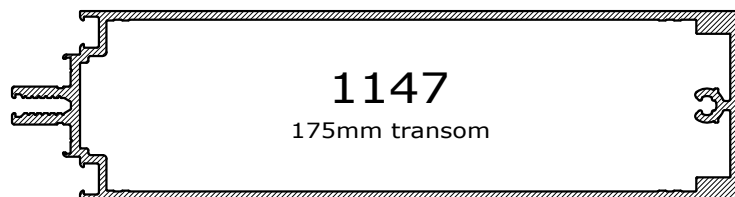
1154

150mm transom



1145

150mm transom



1147

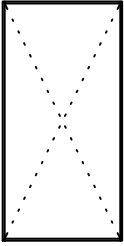
175mm transom

Profiles Identification

Changes reserved
Sous reserve de modifications
Änderungen vorbehalten

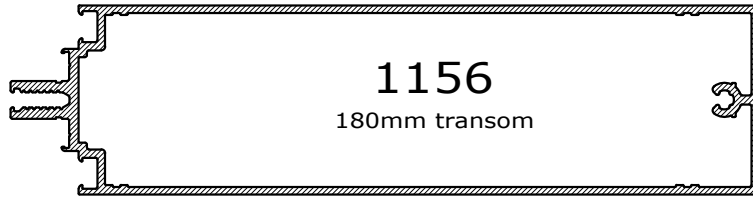
Issue: 05
Date : 04-17



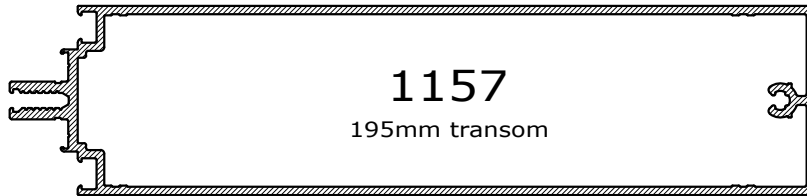


1.05

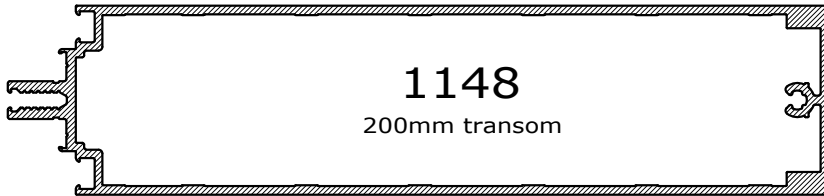
Profiles Identification



1156
180mm transom



1157
195mm transom



1148
200mm transom



1158
210mm transom



1159 *
225mm transom



1162 *
275mm transom

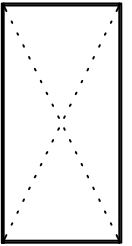
* These profiles are for project only and not held in stock. Profiles will be subject to longer lead times. Please contact our office for information.

Copyright and ownership of this drawing is vested in EFT, Euro Facade Systems Ltd, whose prior written consent is required for its use, reproduction or for publication to any third party. All other rights reserved. Subject to modifications.



Cover caps & pressure plates

Comar 6EFT



1.06

Copyright and ownership of this drawing is vested in EFT, Euro Facade Systems Ltd, whose prior written consent is required for its use, reproduction or for publication to any third party. All other rights reserved.



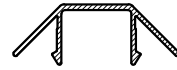
1201
13mm cover cap



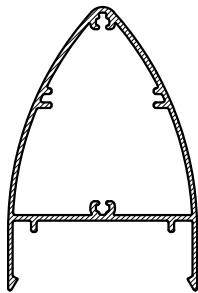
1203
16mm cover cap



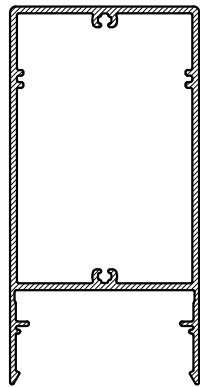
1204
20mm cover cap



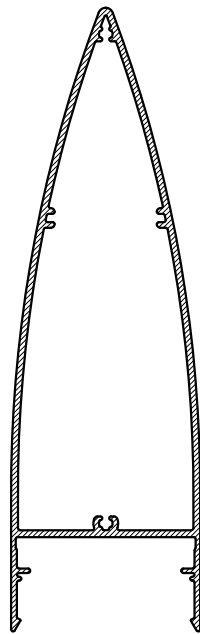
1210
45 degree cover cap



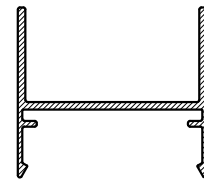
1211
75mm cover cap
Bullnose



1213
100mm cover cap
Square



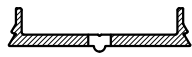
1214
165mm cover cap
Bullnose



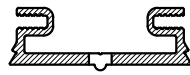
1221
45mm cover cap
Square 'H'



1251
Duo gasket
pressure plate



1252
Standard
pressure plate



1253
Screw fixing
pressure plate
For deep caps



1259
Pressure plate
for sloped roof

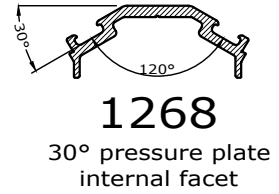
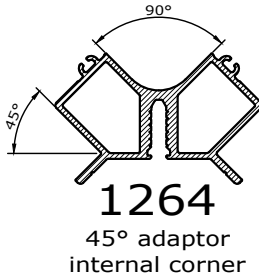
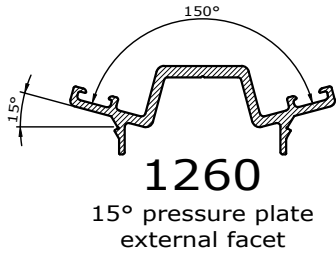
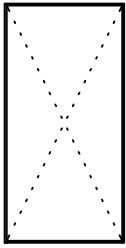
Profiles Identification

Changes reserved
Sous reserve de modifications
Änderungen vorbehalten

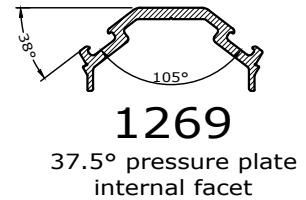
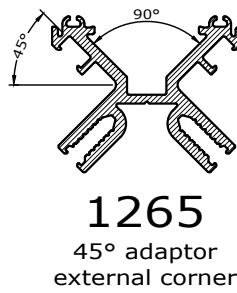
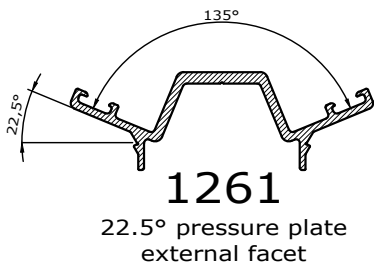
Issue: 05
Date : 10-16

Comar 6EFT

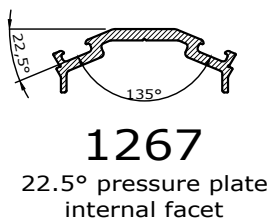
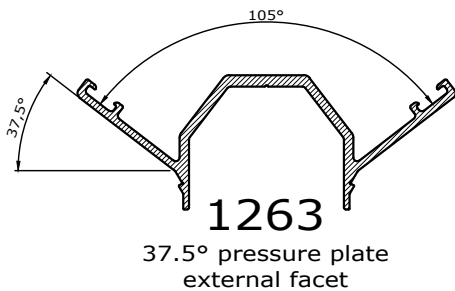
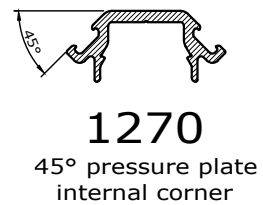
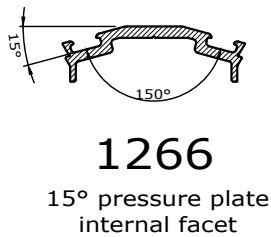
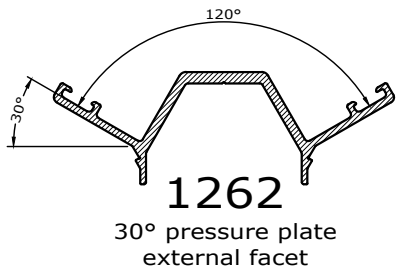
Pressure plates



1.07



Profiles Identification



Copyright and ownership of this drawing is vested in EFT, Euro Facade Systems Ltd, whose prior written consent is required for its use, reproduction or for publication to any third party. All other rights reserved. Subject to modifications.



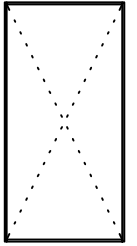
Copyright and ownership of this drawing is vested in EFT, Euro Facade Systems Ltd, whose prior written consent is required for its use, reproduction or for publication to any third party. All other rights reserved. Subject to modifications.

Glazing adaptors

1

Broadsheets

Comar 6EFT

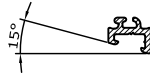


1.08



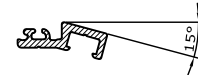
1328

18mm glazing adaptor



1331

15° glazing adaptor
external facet



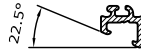
1336

15° glazing adaptor
internal facet



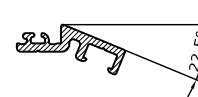
1329

22mm glazing adaptor



1332

22.5° glazing adaptor
external facet



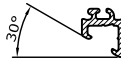
1337

22.5° glazing adaptor
internal facet



1330

6mm glazing adaptor



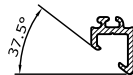
1333

30° glazing adaptor
external facet



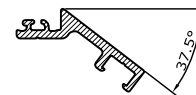
1338

30° glazing adaptor
internal facet



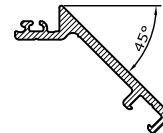
1334

37.5° glazing adaptor
external facet



1339

37.5° glazing adaptor
internal facet



1344

45° glazing adaptor
internal facet

Profiles Identification

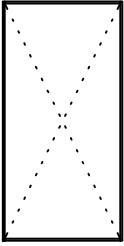
Changes reserved
Sous reserve de modifications
Änderungen vorbehalten

Issue: 05
Date : 09-17

Broadsheets

1

Comar 6EFT



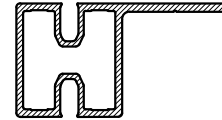
Frames, perimeters,
Inserts, clamps, setting
blocks & fixing lugs

1.09



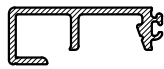
1335

Single glazing frame



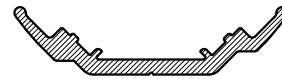
1348

Wall connector



1345

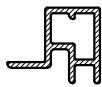
42mm glazing pocket
closer



1392

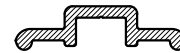
(2404)

Structural glazing 90°
corner glass clamp



1346

Spandrel panel frame



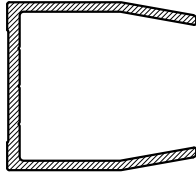
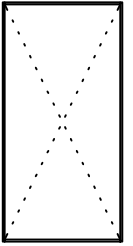
1425

Direct fix to steel or
timber
fixing lug

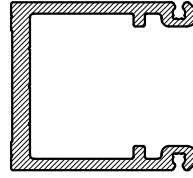
Profiles Identification

Copyright and ownership of this drawing is vested in EFT,
Euro Facade Systems Ltd, whose prior written consent is required
for its use, reproduction or for publication to any third party.
All other rights reserved. Subject to modifications.

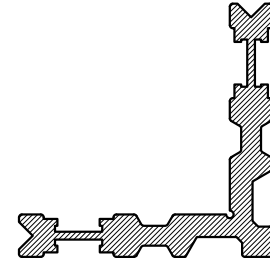
Cleats, flat bars, mullion sleeves & concealed vents



1300
Transom cleat

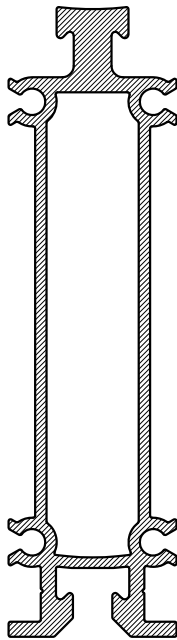


1305
Transom cleat

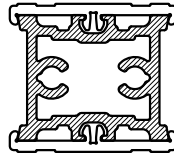


CS246
(2530/2538/2539)
Corner Cleat

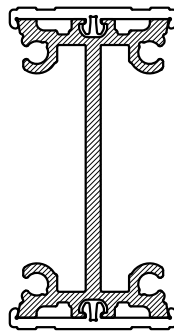
1.09.1



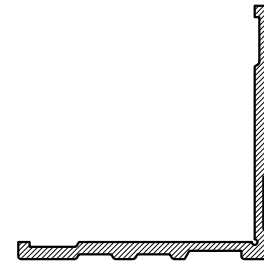
1373
Mullion's connector



1366
Mullion sleeve



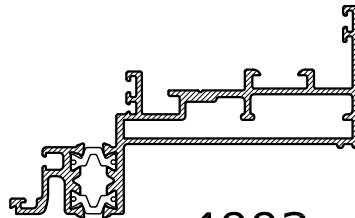
1368
Mullion sleeve



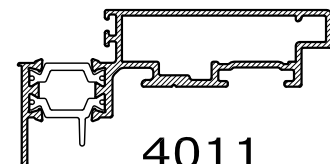
1431
(2535)
Corner Cleat



1230
30mm x 2mm flat bar



4003
Concealed vent outer frame



4011
Concealed vent sash

Copyright and ownership of this drawing is vested in EFT, Euro Facade Systems Ltd, whose prior written consent is required for its use, reproduction or for publication to any third party. All other rights reserved. Subject to modifications.

Profiles Identification

Changes reserved
Sous reserve de modifications
Änderungen vorbehalten

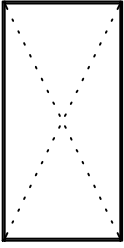
Issue: 05
Date : 01-18

Standard Profiles

1

Comar 6EFT

Future Additions



1.09.2

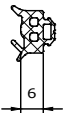
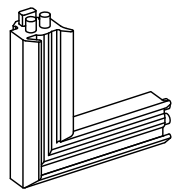
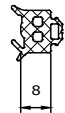
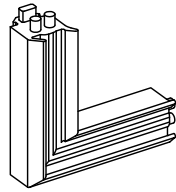

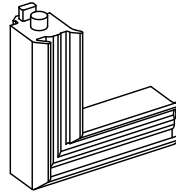

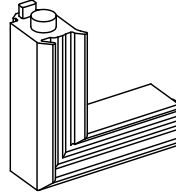

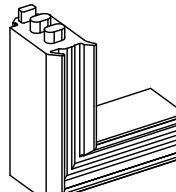

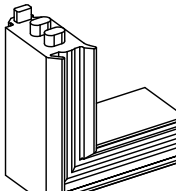
Profiles Identification

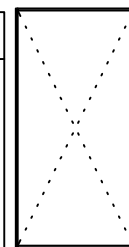
FUTURE ADDITION

Copyright and ownership of this drawing is vested in EFT, Euro Facade Systems Ltd, whose prior written consent is required for its use, reproduction or for publication to any third party. All other rights reserved. Subject to modifications.

Internal glazing gaskets & moulded corners Comar 6EFT

Copyright and ownership of this drawing is vested in EFT, Euro Facade Systems Ltd, whose prior written consent is required for its use, reproduction or for publication to any third party. All other rights reserved. Subject to modifications.

Illustration	Description	Illustration	Description
	2101 Glazing gasket 6mm Material: EPDM Colour: Black Packing unit: 100 m		2102 Corner moulding for 2101 Material: EPDM Colour: Black Packing unit: 100 pcs.
	2103 Glazing gasket 8mm Material: EPDM Colour: Black Packing unit: 100 m		2104 Corner moulding for 2103 Material: EPDM Colour: Black Packing unit: 100 pcs.
	2105 Glazing gasket 10mm Material: EPDM Colour: Black Packing unit: 100 m		2106 Corner moulding for 2105 Material: EPDM Colour: Black Packing unit: 100 pcs.
	2107 Glazing gasket 12mm Material: EPDM Colour: Black Packing unit: 100 m		2108 Corner moulding for 2107 Material: EPDM Colour: Black Packing unit: 100 pcs.
	2109 Glazing gasket 14mm Material: EPDM Colour: Black Packing unit: 100 m	 *	2110* Corner moulding for 2109 Material: EPDM Colour: Black Packing unit: 100 pcs.
	2111 Glazing gasket 16mm Material: EPDM Colour: Black Packing unit: 100 m	 *	2112* Corner moulding for 2111 Material: EPDM Colour: Black Packing unit: 100 pcs.



1.10

Fabricators Guide

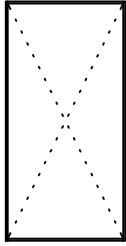
* Non standard item

Changes reserved
Sous reserve de modifications
Änderungen vorbehalten

Issue: 05
Date : 05-17

Comar 6EFT

External glazing gaskets



1.11

Profiles Identification

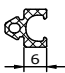
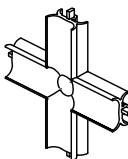
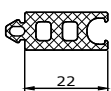
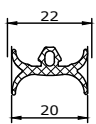
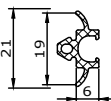
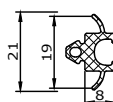
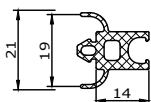
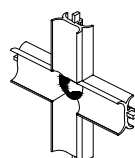
Illustration	Description	Illustration	Description
<p>For pressure plate: 1251</p>	<p>2150 Glazing gasket " DUO Gasket " (in combination with 1251) Material: EPDM Colour: Black Packing unit: 100 m</p>		<p>2171 Joint sealant gasket Material: EPDM Colour: Black Packing unit: 100 m</p>
	<p>2162 Glazing gasket Material: EPDM Colour: Black Packing unit: 50 m</p>		<p>2172 Joint sealant gasket Material: EPDM Colour: Black Packing unit: 100 m</p>
	<p>2163 Glazing gasket Material: EPDM Colour: Black Packing unit: 50 m</p>		<p>2174 Joint sealant gasket Material: EPDM Colour: Black Packing unit: 100 m</p>
	<p>2164 Glazing gasket Material: EPDM Colour: Black Packing unit: xx m</p>		<p>2175 Joint gasket Material: EPDM Colour: Black Packing unit: 50 m</p>
	<p>2165 Glazing gasket Material: EPDM Colour: Black Packing unit: xx m</p>		<p>2176 Joint sealant gasket Material: EPDM Colour: Black Packing unit: 100 m</p>
	<p>2170 Joint sealant gasket Material: EPDM Colour: Black Packing unit: 100 m</p>		<p>2178 Joint sealant gasket Material: EPDM Colour: Black Packing unit: 100 m</p>

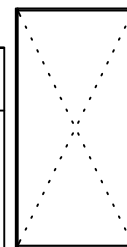
Copyright and ownership of this drawing is vested in EFT, Euro Facade Systems Ltd, whose prior written consent is required for its use, reproduction or for publication to any third party. All other rights reserved. Subject to modifications.



Glazing gaskets

Copyright and ownership of this drawing is vested in EFT, Euro Facade Systems Ltd, whose prior written consent is required for its use, reproduction or for publication to any third party. All other rights reserved. Subject to modifications.

Illustration	Description	Illustration	Description
	2153 Extension gasket Material: EPDM Colour: Black Packing unit: 100 m		2180 Cruciform gasket Material: EPDM Colour: Black Packing unit: 10 pcs.
	2155 Extension gasket Material: EPDM Colour: Black Packing unit: 100 m		2182 Joint sealant gasket Material: EPDM Colour: Black Packing unit: 100 m
	2166 6mm Extension gasket high performance Material: EPDM Colour: Black Packing unit: 100 m		
	2167 8mm Extension gasket high performance Material: EPDM Colour: Black Packing unit: 100 m		
	2168 14mm Extension gasket high performance Material: EPDM Colour: Black Packing unit: 100 m		
	2179 Cruciform for drainage diverter Material: EPDM Colour: Black Packing unit: 10 pcs.		



1.12

Profiles Identification

Changes reserved
Sous reserve de modifications
Änderungen vorbehalten

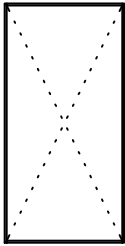
Issue: 05
Date : 10-16

Accessories

1

Comar 6EFT

Obsolete when
stocks are exhausted



1.12.1

Illustration	Description	Illustration	Description
	<p>2306 Glass setting block 33 mm</p> <p>Profile: 1403 Material: Aluminium Finish: Mill Packing unit: 100 pcs.</p> <p>WILL BE REPLACED BY 1409</p>		
<p>Obsolete when stocks are exhausted.</p> <p>Size: 4.8 x 22</p>	<p>3092 4.8 x 22 Countersunk head</p> <p>For glazing clamps 2403 & 2300 Material: Stainless steel Packing unit: 1000 pcs.</p>		

Copyright and ownership of this drawing is vested in EFT,
Euro Facade Systems Ltd, whose prior written consent is required
for its use, reproduction or for publication to any third party.
All other rights reserved. Subject to modifications.

Profiles Identification



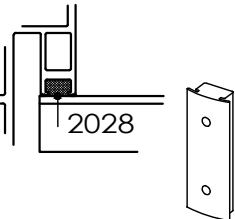
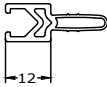

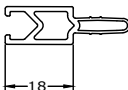
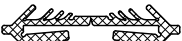
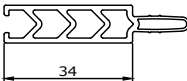
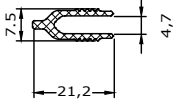
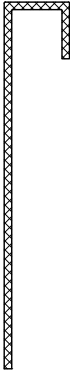

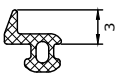
comar
ARCHITECTURAL ALUMINIUM SYSTEMS

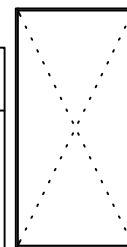
Changes reserved
Sous reserve de modifications
Änderungen vorbehalten

Issue: 05
Date : 10-16

Thermal break & pocket seal

Copyright and ownership of this drawing is vested in EFT, Euro Facade Systems Ltd, whose prior written consent is required for its use, reproduction or for publication to any third party. All other rights reserved. Subject to modifications.

Illustration	Description	Illustration	Description
	2028 Transom seal Material: EPDM Colour: Black Packing unit: 100 pcs.	 Standard length: 3m	2197 Thermal break Material: PVC Colour: Black Packing unit: 10 pcs.
 Standard length 6.45m	2033 Groove for K02 Gasket Material: PVC Colour: Black Packing unit: 10 pcs.	 Standard length: 3m	2200 Thermal break Material: PVC Colour: Black Packing unit: 10 pcs.
	2185 Seal for split mullion (30 x 2mm) Material: EPDM Colour: Black Packing unit: 50 m	 Standard length: 3m	2203 Thermal break Material: PVC Colour: Black Packing unit: 10 pcs.
	2186 Seal for split mullion (for 4mm sheet) Material: EPDM Colour: Black Packing unit: 100 m	 Standard length 6.45m	6003 End profile Material: PVC Colour: Black Packing unit: 5 pcs.
	2187 Seal for split mullion Material: EPDM Colour: Black Packing unit: 100 m		
	2490 Pocket seal gasket Material: EPDM Colour: Black Packing unit: 200 m		

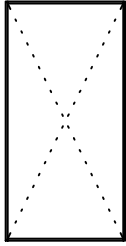


1.13

Profiles Identification

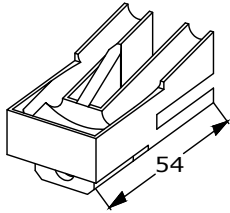
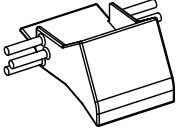
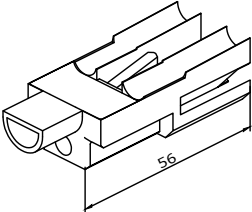
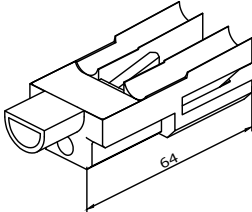
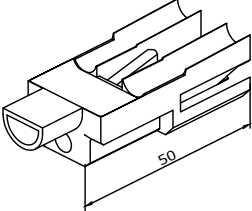
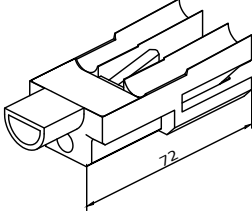
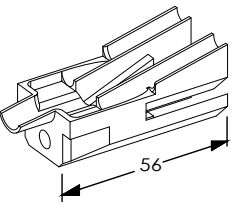
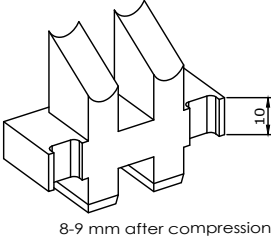
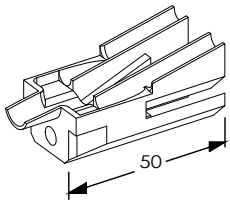
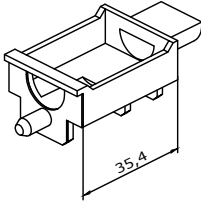
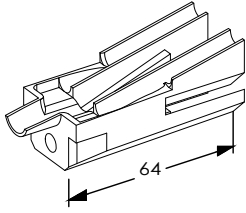
Changes reserved
Sous reserve de modifications
Änderungen vorbehalten

Issue: 05
Date : 10-16



1.14

Profiles Identification

Illustration	Description	Illustration	Description
	2019 Mullion drainage diverter Material: PP-Nylon Colour: Black Packing unit: 50 pcs.		2025 Transom drainage diverter 4sided SG Material: PP Colour: Black Packing unit: 50 pcs.
	2020 Mullion drainage diverter Closed spout Material: PP- Nylon Colour: Black Packing unit: 50 pcs.		2026 Mullion drainage diverter Closed spout Material: PP- Nylon Colour: Black Packing unit: 50 pcs.
	2021 Mullion drainage diverter Closed spout Material: PP- Nylon Colour: Black Packing unit: 50 pcs.		2027 Mullion drainage diverter Closed spout Material: PP- Nylon Colour: Black Packing unit: 50 pcs.
	2022 Mullion drainage diverter Material: PP- Nylon Colour: Black Packing unit: 50 pcs.		2030 Mullion coupling moulding Material: EPDM Colour: Black Packing unit: 50 pcs.
	2023 Mullion drainage diverter Material: PP- Nylon Colour: Black Packing unit: 50 pcs.		2032 35mm Extension drainage diverter Material: PP- Nylon Colour: Black Packing unit: 10 pcs.
	2024 Mullion drainage diverter Material: PP- Nylon Colour: Black Packing unit: 50 pcs.		

Copyright and ownership of this drawing is vested in EFT, Euro Facade Systems Ltd, whose prior written consent is required for its use, reproduction or for publication to any third party. All other rights reserved. Subject to modifications.



Glazing setting blocks

Comar 6EFT

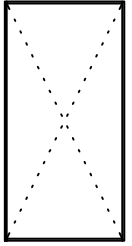


Illustration	Description	Illustration	Description
	2301 Glass setting block 15 mm Profile: 1403 Material: Aluminium Finish: Mill Packing unit: 100 pcs.		1402 Glass setting block 32 mm Width 100mm 1442 Glass setting block 32 mm Width 400mm Material: Aluminium Finish: Black Packing unit: 10 pcs.
	2305 Glass setting block 27 mm Profile: 1403 Material: Aluminium Finish: Mill Packing unit: 100 pcs.		1407 Glass setting block 36 mm Width 100mm 1447 Glass setting block 36 mm Width 400mm Material: Aluminium Finish: Black Packing unit: 10 pcs.
	1409 Glass setting block 33 mm Profile: 1412 Material: Aluminium Finish: Mill Packing unit: 10 pcs.		1411 Glass setting block 40 mm Profile: 1415 Material: Aluminium Finish: Mill Packing unit: 10 pcs.
	1401 Glass setting block 28 mm Width 100mm 1441 Glass setting block 28 mm Width 400mm Material: Aluminium Finish: Black Packing unit: 10 pcs.		1404 Glass setting block 40 mm Width 100mm 1444 Glass setting block 40 mm Width 400mm Material: Aluminium Finish: Black Packing unit: 10 pcs.

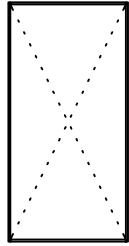
1.15

Profiles Identification

Accessories

1

Comar 6EFT



1.16

Profiles Identification

Glazing setting blocks sleeves & cleats

Illustration	Description	Illustration	Description
	<p>1400 Glass setting block 44 mm</p> <p>Width 100mm</p> <p>Material: Aluminium Finish: Black Packing unit: 10 pcs.</p>		<p>1406 Glass setting block 52 mm</p> <p>Width 100mm</p> <p>Material: Aluminium Finish: Black Packing unit: 10 pcs.</p>
	<p>1405 Glass setting block 48 mm</p> <p>Width 100mm</p> <p>Material: Aluminium Finish: Black Packing unit: 10 pcs.</p>		<p>1446 Glass setting block 52 mm</p> <p>Width 400mm Non-Stock item</p> <p>Material: Aluminium Finish: Black Packing unit: 10 pcs.</p>
	<p>1445 Glass setting block 44 mm</p> <p>Width 400mm Non-Stock item</p> <p>Material: Aluminium Finish: Black Packing unit: 10 pcs.</p>		<p>1366 33mm mullion sleeve/spigot kit</p> <p>Material: Aluminium /plastic Colour: Black Finish: Mill</p> <p>Standard length: 6.45m</p> <p>Packing unit: 1 pcs.</p>
	<p>2310 Transom cleat (spring loaded)</p> <p>Material: Aluminium pin/polyamide housing lock to transom with super glue (SE009XSLF)</p> <p>Packing unit: 50 pcs.</p>		<p>1368 79mm mullion sleeve/spigot kit</p> <p>Material: Aluminium /plastic Colour: Black Finish: Mill</p> <p>Standard length: 6.45m</p> <p>Packing unit: 1 pcs.</p>
	<p>2538 Corner cleat 8.2 mm</p> <p>For frames made from profile 1335</p> <p>Profile: 1435 Material: Aluminium Finish: Mill</p> <p>Packing unit: 10 pcs</p>		<p>2539 Corner cleat 4.8 mm</p> <p>For frames made from profile 1346</p> <p>Profile: 1435 Material: Aluminium Finish: Mill</p> <p>Packing unit: 50 pcs</p>

Copyright and ownership of this drawing is vested in EFT, Euro Facade Systems Ltd, whose prior written consent is required for its use, reproduction or for publication to any third party. All other rights reserved. Subject to modifications.



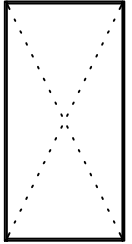
comar

ARCHITECTURAL ALUMINIUM SYSTEMS

Changes reserved
Sous reserve de modifications
Änderungen vorbehalten

Issue: 05
Date : 12-17

Fixing clamps - Structural glazing



1.17

Profiles Identification

Copyright and ownership of this drawing is vested in EFT, Euro Facade Systems Ltd, whose prior written consent is required for its use, reproduction or for publication to any third party. All other rights reserved. Subject to modifications.

Illustration	Description	Illustration	Description
	<p>2403 Double glass clamp</p> <p>For 2 or 4 sided structurally bonded units.</p> <p>2sided SGH/ 2sided SGV /4sided SG</p> <p>Profile: 1391 Length: 35 mm</p> <p>Material: Aluminium Finish: Red powder coating Packing unit: 100 pcs.</p>		<p>2406 Panel clamp</p> <p>For 2 or 4 sided structural bonded units.</p> <p>2sided SGH/2sided SGV /4sided SG</p> <p>Profile: 1393 Length: 35mm</p> <p>Material: Aluminium Finish: Blue powder coating. Packing unit: 100 pcs.</p>
	<p>2409 Glass clamp machined</p> <p>For support 400mm glass setting block</p> <p>Profile: 2403 Length: 35 mm</p> <p>Material: Aluminium Finish: Red powder coating Packing unit: 10 pcs.</p>		<p>1390 6mm Extension Profile</p> <p>For 2403 Glass Clamp</p> <p>Profile: 1390 Length: 70 mm</p> <p>Material: Aluminium Finish: Black powder coating Packing unit: 10 pcs.</p>
	<p>2431 Double glass Clamp.</p> <p>For 2 or 4 sided structural bonded units.</p> <p>2sided SGH 4sided SG</p> <p>Length: 35 mm</p> <p>Material: Aluminium Colour: Orange Powder Coating Packing unit: 100 pcs.</p>		<p>2441 Double glass Clamp.</p> <p>For 2 or 4 sided structural bonded units.</p> <p>2sided SGH 4sided SG</p> <p>Length: 35 mm</p> <p>Material: Aluminium Colour: White Powder coating Packing unit: 100 pcs.</p>

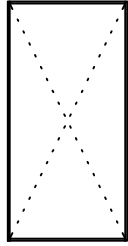
Changes reserved
Sous reserve de modifications
Änderungen vorbehalten

Issue: 05
Date : 10-16

Accessories

1

Comar 6EFT



1.18

Profiles Identification

Fixing clamps - Structural glazing

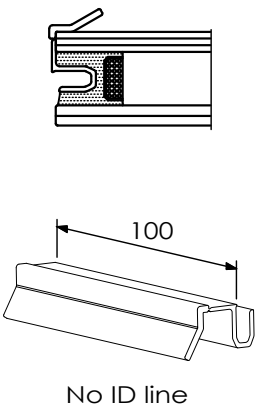
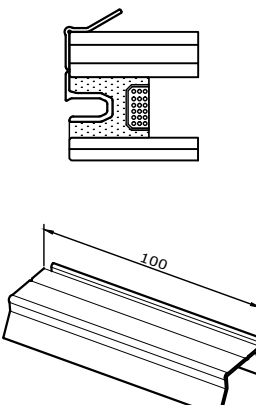
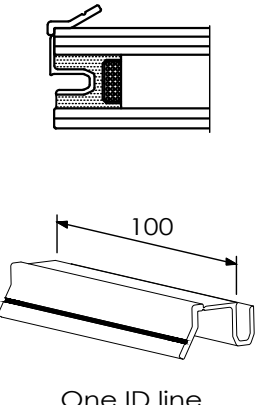
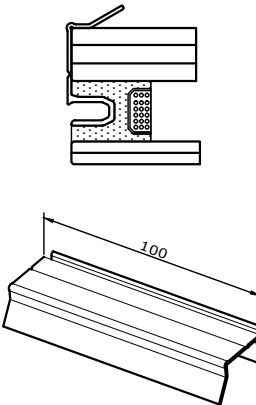
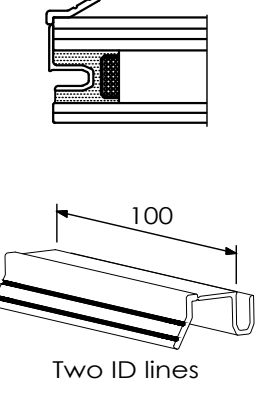
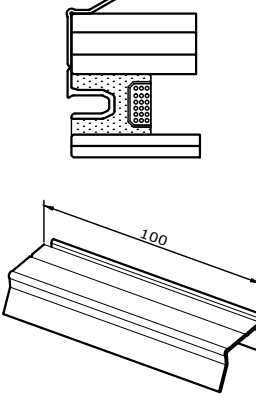
Illustration	Description	Illustration	Description
	<p>2432 Double glass Clamp. For 2 or 4 sided structural bonded units.</p> <p>2sided SGH 4sided SG</p> <p>Length: 35 mm</p> <p>Material: Aluminium Colour: Green powder coating Packing unit: 100 pcs.</p>		<p>2442 Double glass Clamp. For 2 or 4 sided structural bonded units.</p> <p>2sided SGH 4sided SG</p> <p>Length: 35 mm</p> <p>Material: Aluminium Colour: Grey powder coating Packing unit: 100 pcs.</p>
	<p>2433 Double glass Clamp. For 2 or 4 sided structural bonded units.</p> <p>2sided SGH 4sided SG</p> <p>Length: 35 mm</p> <p>Material: Aluminium Colour: Magenta powder coating Packing unit: 50 pcs.</p>		<p>2443 Double glass Clamp. For 2 or 4 sided structural bonded units.</p> <p>2sided SGH 4sided SG</p> <p>Length: 35 mm</p> <p>Material: Aluminium Colour: Black powder coating Packing unit: 100 pcs.</p>
	<p>2404 Double glass Corner Clamp For 2 or 4 sided structural bonded units.</p> <p>2sided SGH/4sided SG</p> <p>Profile: 1392 Length: 50mm</p> <p>Material: Aluminium Finish: Violet powder coating Packing unit: 10 pcs.</p>		<p>2448 Double glass Clamp. For 2 or 4 sided structural bonded units.</p> <p>2sided SGH 4side SG</p> <p>Length: 35 mm</p> <p>Material: Aluminium Colour: Brown powder coating Packing unit: 100 pcs.</p>

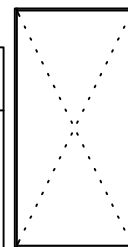
Copyright and ownership of this drawing is vested in EFT, Euro Facade Systems Ltd, whose prior written consent is required for its use, reproduction or for publication to any third party. All other rights reserved. Subject to modifications.



Glazing Inserts

Copyright and ownership of this drawing is vested in EFT, Euro Facade Systems Ltd, whose prior written consent is required for its use, reproduction or for publication to any third party. All other rights reserved. Subject to modifications.

Illustration	Description	Illustration	Description
 <p>No ID line</p>	<p>2401 Double glazing insert</p> <p>For 2 or 4 sided structural bonded units.</p> <p>2sided SGH/ 2sided SGV /4sided SG Profile: 1389 Length: 100 mm</p> <p>Material: Aluminium Colour: Silver anodised Packing unit: 100 pcs.</p>		<p>2416 Double glazing insert</p> <p>For 2 or 4 sided structural bonded units.</p> <p>2sided SGH/ 2sided SGV /4sided SG Profile: 1316 Length: 100 mm</p> <p>Material: Aluminium Colour: Silver anodised Packing unit: 10 pcs.</p>
 <p>One ID line</p>	<p>2402 Double glazing insert</p> <p>For 2 or 4 sided structural bonded units.</p> <p>2sided SGH/2sided SGV /4sided SG Profile: 1388 Length: 100 mm</p> <p>Material: Aluminium Colour: Silver anodised Packing unit: 100 pcs.</p>		<p>2418 Double glazing insert</p> <p>For 2 or 4 sided structural bonded units.</p> <p>2sided SGH/2sided SGV /4sided SG Profile: 1318 Length: 100 mm</p> <p>Material: Aluminium Colour: Black anodised Packing unit: 10 pcs.</p>
 <p>Two ID lines</p>	<p>2405 Double glazing insert</p> <p>For 2 or 4 sided structural bonded units.</p> <p>2sided SGH/2sided SGV /4sided SG Profile: 1387 Length: 100 mm</p> <p>Material: Aluminium Colour: Silver anodised Packing unit: 100 pcs.</p>		<p>2420 Double glazing insert</p> <p>For 2 or 4 sided structural bonded units.</p> <p>2sided SGH/2sided SGV /4sided SG Profile: 1390 Length: 100 mm</p> <p>Material: Aluminium Colour: Black anodised Packing unit: 10 pcs.</p>



1.19

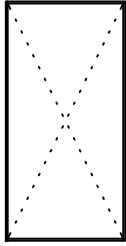
Profiles Identification

Changes reserved
Sous reserve de modifications
Änderungen vorbehalten

Issue: 05
Date : 10-16

Comar 6EFT

Transom Cleats



1.20

Profiles Identification

Illustration	Description	Illustration	Description
	<p>2551 Transom cleat For transom 1151 & 1143 (85mm) Material: Aluminium Finish: Mill finish Packing unit: 20 Profile: 1300 Length: 64 mm</p>		<p>2557 Transom cleat For transom 1157 (195mm) Material: Aluminium Finish: Mill finish Packing unit: 20 Profile: 1300 Length: 174 mm</p>
	<p>2564 Transom cleat For transom 1164 (105mm) Material: Aluminium Finish: Mill finish Packing unit: 20 Profile: 1300 Length: 84 mm</p>		<p>2558 Transom cleat For transom 1158 (210mm) Material: Aluminium Finish: Mill finish Packing unit: 20 Profile: 1300 Length: 189 mm</p>
	<p>2552 Transom cleat For transom 1152 (135mm) Material: Aluminium Finish: Mill finish Packing unit: 20 Profile: 1300 Length: 114 mm</p>	<p>see 6.08</p> <p>Cut to length to suit</p>	<p>2565 - 1166 (125mm) 2566 - 1152 (135mm) 2567 - 1145 & 1154 (150mm) 2568 - 1147 (175mm) 2569 - 1156 (180mm) 2570 - 1157 (195mm) 2571 - 1148 (200mm) 2572 - 1158 (210mm)</p> <p>Cut from Profile 1305</p>
	<p>2554 Transom cleat For transom 1154 & 1145 (150mm) Material: Aluminium Finish: Mill finish Packing unit: 20 Profile: 1300 Length: 129 mm</p>		<p>2559* Transom cleat For transom 11589 (225mm) Material: Aluminium Finish: Mill finish Packing unit: 20 Profile: Tube 43x43x4 Length: 135 mm</p>
	<p>2556 Transom cleat For transom 1156 (180mm) Material: Aluminium Finish: Mill finish Packing unit: 20 Profile: 1300 Length: 159 mm</p>		<p>2560* Transom cleat For transom 1162 (275mm) Material: Aluminium Finish: Mill finish Packing unit: 20 Profile: Tube 43x43x4 Length: 185 mm</p>

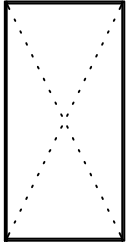
* These profiles are for project only and not held in stock. Profiles will be subject to longer lead times. Please contact our office for information.

Copyright and ownership of this drawing is vested in EFT, Euro Facade Systems Ltd, whose prior written consent is required for its use, reproduction or for publication to any third party. All other rights reserved. Subject to modifications.



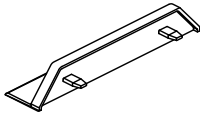
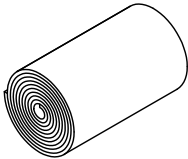
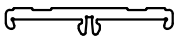
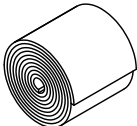
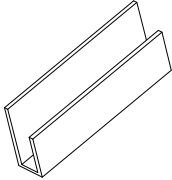
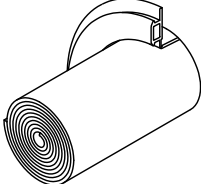
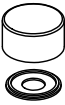
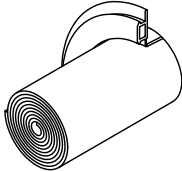

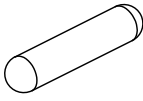
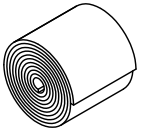
PVC Accessories & tapes

Comar 6EFT



1.21

Profiles Identification

Illustration	Description	Illustration	Description
	2031 End Cap for 1259 pressure plate Material: PVC Colour: Black Packing unit: 10 pcs.		6010 EPDM membrane 250mm Wide 25m Length
Included in spigot 1366 & 1368  Standard length: 6.45m	2181 Mullion sleeve/spigot isolator Material: PVC Colour: Black Packing unit: 1 pc.		6011 EPDM membrane 150mm Wide 25m Length
 Length: 50mm	2410 Drainage U channel Material: PVC Colour: White Packing unit: 20 pcs.		6012 EPDM membrane with gasket 150mm Wide 25m Length
	3016 Screw Head Cap Material: PVC Colour: EWHT- White DBLK- Black BSVR- Silver Packing unit: 50 pcs.		6013 EPDM membrane with gasket 250mm Wide 25m Length
	6001 Butyl tape 50mm Wide 25m Length		6020 Membrane adhesive 600 ml
	6002 Butyl tape 100mm Wide 25m Length		

Copyright and ownership of this drawing is vested in EFT,
Euro Facade Systems Ltd, whose prior written consent is required
for its use, reproduction or for publication to any third party.
All other rights reserved. Subject to modifications.

Changes reserved
Sous reserve de modifications
Änderungen vorbehalten

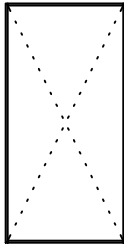
Issue: 05
Date : 10-16

Accessories

1

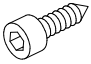
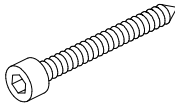
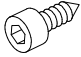
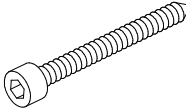
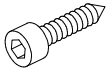
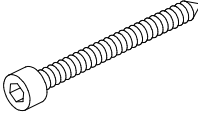
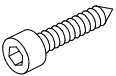
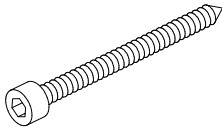
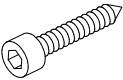
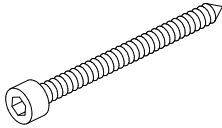
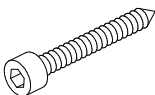
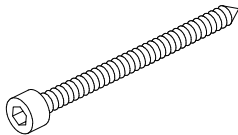
Comar 6EFT

Pressure plate screws



1.22

Profiles Identification

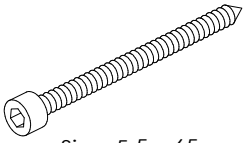
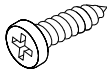
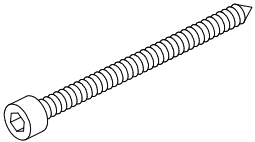
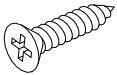
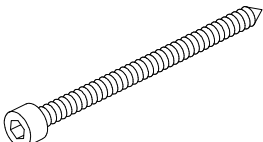


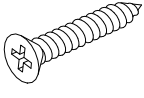
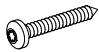
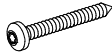
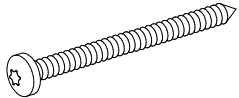
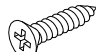
Illustration	Description	Illustration	Description
 Size: 5.5 x 16	3002 Screw Allen key 5.5 x 16 Material: Stainless steel Packing unit: 500 pcs.	 Size: 5.5 x 38	3008 Screw Allen key 5.5 x 38 Material: Stainless steel Packing unit: 500 pcs.
 Size: 5.5 x 13	3003 Screw Allen key 5.5 x 13 Material: Stainless steel Packing unit: 500 pcs.	 Size: 5.5 x 42	3090 Screw Allen key 5.5 x 42 Material: Stainless steel Packing unit: 200 pcs.
 Size: 5.5 x 19	3004 Screw Allen key 5.5 x 19 Material: Stainless steel Packing unit: 500 pcs.	 Size: 5.5 x 45	3009 Screw Allen key 5.5 x 45 Material: Stainless steel Packing unit: 500 pcs.
 Size: 5.5 x 22	3005 Screw Allen key 5.5 x 22 Material: Stainless steel Packing unit: 500 pcs.	 Size: 5.5 x 50	3010 Screw Allen key 5.5 x 50 Material: Stainless steel Packing unit: 200 pcs.
 Size: 5.5 x 25	3006 Screw Allen key 5.5 x 25 Material: Stainless steel Packing unit: 500 pcs.	 Size: 5.5 x 55	3011 Screw Allen key 5.5 x 55 Material: Stainless steel Packing unit: 100 pcs.
 Size: 5.5 x 32	3007 Screw Allen key 5.5 x 32 Material: Stainless steel Packing unit: 500 pcs.	 Size: 5.5 x 60	3012 Screw Allen key 5.5 x 60 Material: Stainless steel Packing unit: 100 pcs.

Copyright and ownership of this drawing is vested in EFT, Euro Facade Systems Ltd, whose prior written consent is required for its use, reproduction or for publication to any third party. All other rights reserved. Subject to modifications.



Screws

Copyright and ownership of this drawing is vested in EFT, Euro Facade Systems Ltd, whose prior written consent is required for its use, reproduction or for publication to any third party. All other rights reserved. Subject to modifications.

Illustration	Description	Illustration	Description
 Size: 5.5 x 65	3013 Screw Allen key 5.5 x 65 Material: Stainless steel Packing unit: 100 pcs.	 Size: 4.8 x 19	3023 4.8 x 19 Pan head For 4sided weephole covers Material: Stainless steel Packing unit: 500 pcs.
 Size: 5.5 x 70	3014 Screw Allen key 5.5 x 70 Material: Stainless steel Packing unit: 100 pcs.	 Size: 4.2 x 25	3024 4.2 x 25 Countersunk head For glazing adaptor 18mm , 1328 Material: Stainless steel Packing unit: 500 pcs.
 Size: 5.5 x 75	3015 Screw Allen key 5.5 x 75 Material: Stainless steel Packing unit: 100 pcs.	 Size: 4.8 x 13	3025 4.8 x 13 Pan head For transom cleats Material: Stainless steel Packing unit: 500 pcs.
 Size: 3.5 x 9	3020 3.5 x 9 Pan head For fixing large cover caps Material: Stainless steel Packing unit: 500 pcs.	 Size: 4.2 x 32	3026 4.2 x 32 Countersunk head For glazing adaptor 22mm , 1329 Material: Stainless steel Packing unit: 500 pcs.
 Size: 3.9 x 16	3021 Screw 3.9 x 16 DIN 7981 C-Z Transom-Mullion fixing Material: Stainless steel Packing unit: 1000 pcs.	 Size: 3.9 x 19	3027 Screw 3.9 x 19 DIN 7981 C-Z Transom-Mullion fixing for faceted joints Material: Stainless steel Packing unit: 1000 pcs.
 Size: 4.8 x 65	3022 Screw 4.8 x 65 DIN 7981 C-Z Ladder unit transom-mullion fixing Material: Stainless steel Packing unit: 200 pcs.	 Size: 3.6 x 13	3028 3.6 x 13 Countersunk head For split mullion nosing adaptor 1033 Material: Stainless steel Packing unit: 1000 pcs.



1.23

Profiles Identification

Changes reserved
Sous reserve de modifications
Änderungen vorbehalten

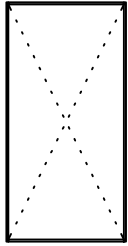
Issue: 05
Date : 10-16

Accessories

1

Comar 6EFT

Screws & washers



1.24

Profiles Identification

Illustration	Description	Illustration	Description
	<p>3029 5.5 x 23 Torx T x 20 For glazing clamps 2403 & 2300 Material: Stainless steel Packing unit: 100 pcs.</p>		<p>1889 6 x 30 Dowel pin Mullion's connector Material: Stainless steel Packing unit: 10 pcs.</p>
	<p>3030 5.5 x 29 Torx T x 20 For glazing clamps 2403 + 1407 Material: Stainless steel Packing unit: 100 pcs.</p>		<p>1890 Tube Ø11x3 Material: Aluminium Packing unit: 50 pcs.</p>
	<p>3093 5.5 x 25 Countersunk head Mullion's connector Material: Stainless steel Packing unit: 500 pcs.</p>		<p>1891 Tube Ø11x3 Material: Aluminium Packing unit: 50 pcs.</p>
	<p>FX7004 No8 x 13 Pan head self drill screw Material: Stainless steel Packing unit: 100 pcs.</p>		<p>FX008 No10 x 13 Flange head ST/ST pozidrive Material: Stainless steel Packing unit: 100 pcs.</p>
	<p>3091 M6 x 12.5 x 0.8 Nylon washer Material: Nylon Packing unit: 1000 pcs.</p>		
	<p>3094 Washer Ø6 for 3093 screw Material: Stainless steel Packing unit: 100 pcs.</p>		

Copyright and ownership of this drawing is vested in EFT, Euro Facade Systems Ltd, whose prior written consent is required for its use, reproduction or for publication to any third party. All other rights reserved. Subject to modifications.



comar

ARCHITECTURAL ALUMINIUM SYSTEMS

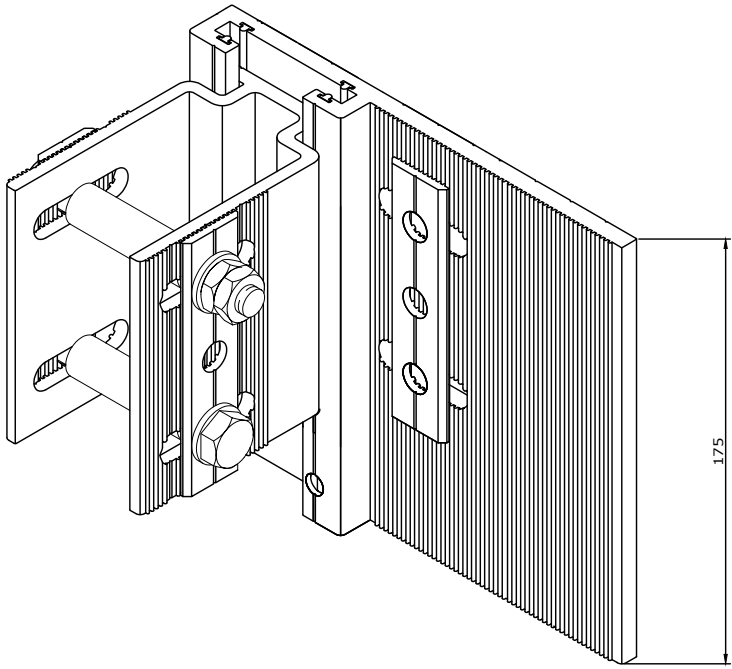
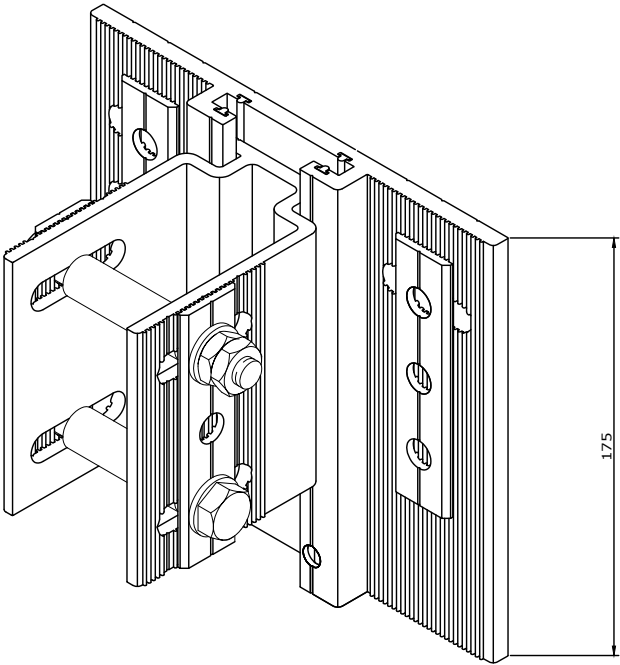
Changes reserved
Sous reserve de modifications
Änderungen vorbehalten

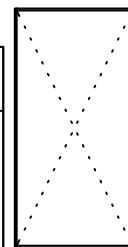
Issue: 05
Date : 09-17

Fixing and sliding brackets

Comar 6EFT

Copyright and ownership of this drawing is vested in EFT, Euro Facade Systems Ltd, whose prior written consent is required for its use, reproduction or for publication to any third party. All other rights reserved. Subject to modifications.

Illustration	Description
	<p>CW671 Wall fixing bracket (Jamb) 175 mm</p> <p>Material: Aluminium Finish: Mill</p> <p>Packing unit: 1 pcs.</p>
	<p>CW672 Wall fixing bracket (Intermediate) 175 mm</p> <p>Material: Aluminium Finish: Mill</p> <p>Packing unit: 1 pcs.</p>

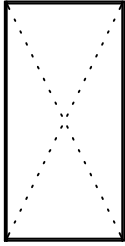


1.25

Profiles Identification

Changes reserved
Sous reserve de modifications
Änderungen vorbehalten

Issue: 05
Date : 10-16



1.26

Profiles Identification

Illustration	Description
	<p>CW673 Wall sliding bracket (Jamb) 130 mm</p> <p>Material: Aluminium Finish: Mill</p> <p>Packing unit: 1 pcs.</p>
	<p>CW674 Wall Sliding bracket (Intermediate) 130mm</p> <p>Material: Aluminium Finish: Mill</p> <p>Packing unit: 1 pcs.</p>

Copyright and ownership of this drawing is vested in EFT, Euro Facade Systems Ltd, whose prior written consent is required for its use, reproduction or for publication to any third party. All other rights reserved. Subject to modifications.



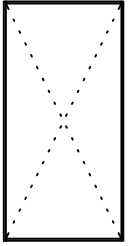
Copyright and ownership of this drawing is vested in EFT,
Euro Facade Systems Ltd, whose prior written consent is required
for its use, reproduction or for publication to any third party.
All other rights reserved. Subject to modifications.

Future Additions

1

Standard Profiles

Comar 6EFT



1.27

FUTURE
ADDITION

Fabricators Guide

Changes reserved
Sous reserve de modifications
Änderungen vorbehalten

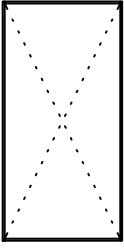
Issue: 05
Date : 10-16

Accessories

1

Comar 6EFT

Future Additions



1.28 - 1.49

Profiles Identification

FUTURE
ADDITION

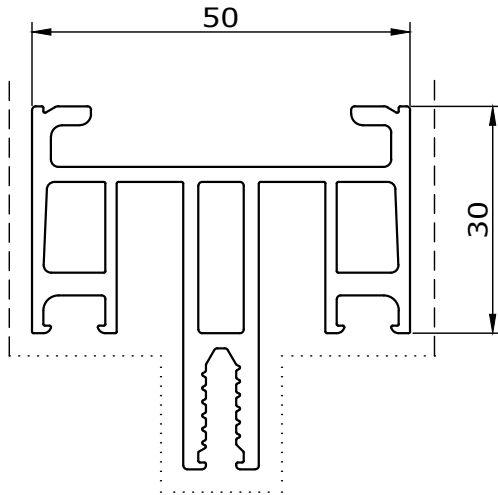
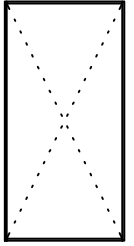
Copyright and ownership of this drawing is vested in EFT,
Euro Facade Systems Ltd, whose prior written consent is required
for its use, reproduction or for publication to any third party.
All other rights reserved. Subject to modifications.

Copyright and ownership of this drawing is vested in EFT,
Euro Facade Systems Ltd, whose prior written consent is required
for its use, reproduction or for publication to any third party.
All other rights reserved. Subject to modifications.

1 Standard Profiles

Comar 6EFT

1025 - Mullion - 30mm Direct fix to steel or timber

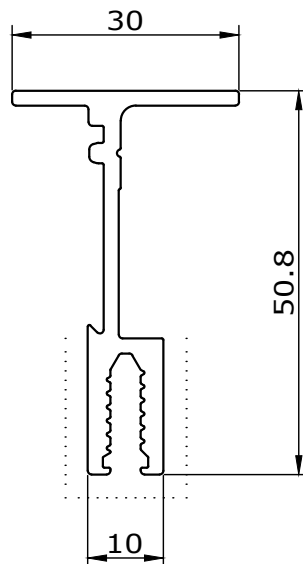


Area = 537.9 mm²
Perimeter = 372 mm
Length = 6.45 m

1.50

Visible Surface
Secondary Surface

1033 - Split mullion adaptor



Area = 248.1 mm²
Periphery = 217 mm
Length = 6.45 m

Secondary Surface

Profile Identification

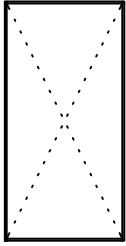
Changes reserved
Sous reserve de modifications
Änderungen vorbehalten

Issue: 05
Date :10-16

Standard Profiles

1

Comar 6EFT



1037 - Split mullion 105mm

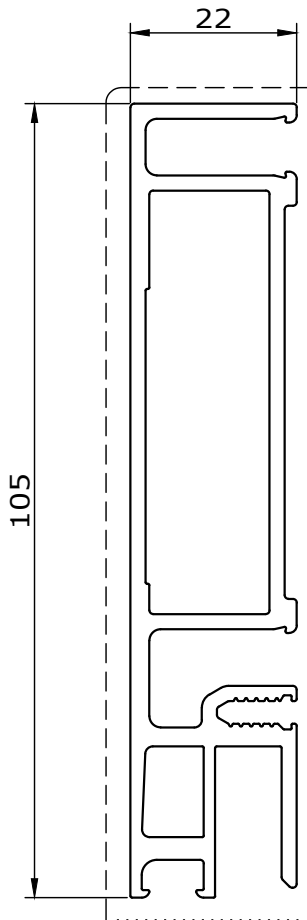
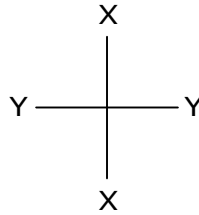
$$I_{xx} = 68.3 \text{ cm}^4$$

$$I_{yy} = 4.1 \text{ cm}^4$$

$$Z_{xx} = 12.5 \text{ cm}^3$$

$$Z_{yy} = 3.9 \text{ cm}^3$$

1.51



Perimeter = 417 mm
Length = 6.45 m

Visible Surface -----
Secondary Surface

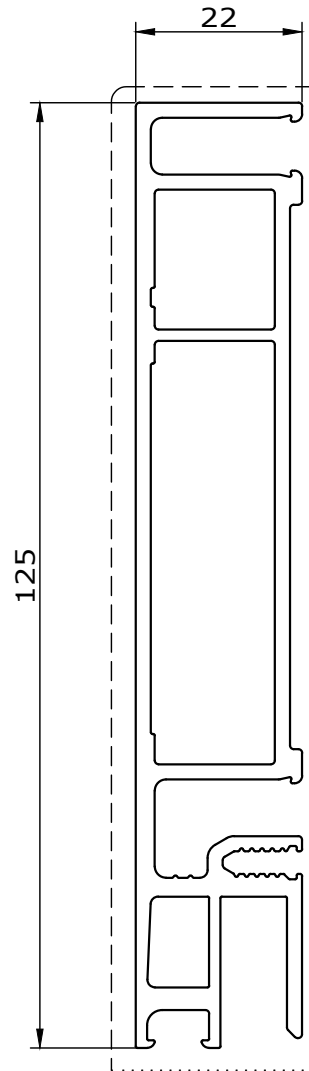
1038 - Split mullion 125mm

$$I_{xx} = 115.1 \text{ cm}^4$$

$$I_{yy} = 4.9 \text{ cm}^4$$

$$Z_{xx} = 17.9 \text{ cm}^3$$

$$Z_{yy} = 4.0 \text{ cm}^3$$



Perimeter = 457 mm
Length = 6.45 m

Visible Surface -----
Secondary Surface

Profiles Identification



comar
ARCHITECTURAL ALUMINIUM SYSTEMS

Changes reserved
Sous reserve de modifications
Änderungen vorbehalten

Issue: 05
Date : 10-16

Copyright and ownership of this drawing is vested in EFT,
Euro Facade Systems Ltd, whose prior written consent is required
for its use, reproduction or for publication to any third party.
All other rights reserved. Subject to modifications.

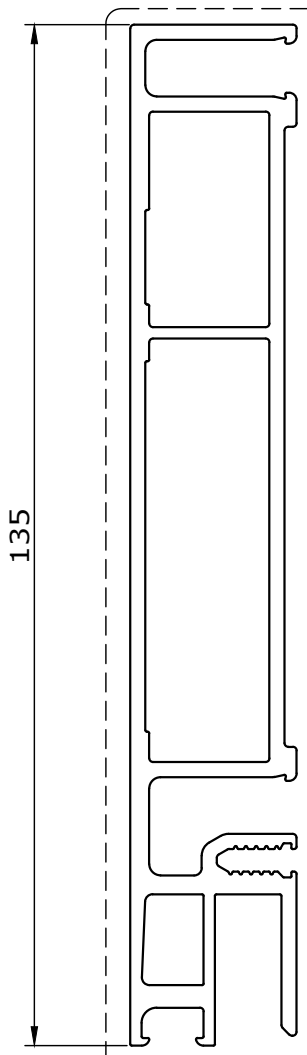
Copyright and ownership of this drawing is vested in EFT, Euro Facade Systems Ltd, whose prior written consent is required for its use, reproduction or for publication to any third party. All other rights reserved. Subject to modifications.

1 Standard Profiles

Comar 6EFT

1039 - Split mullion 135mm

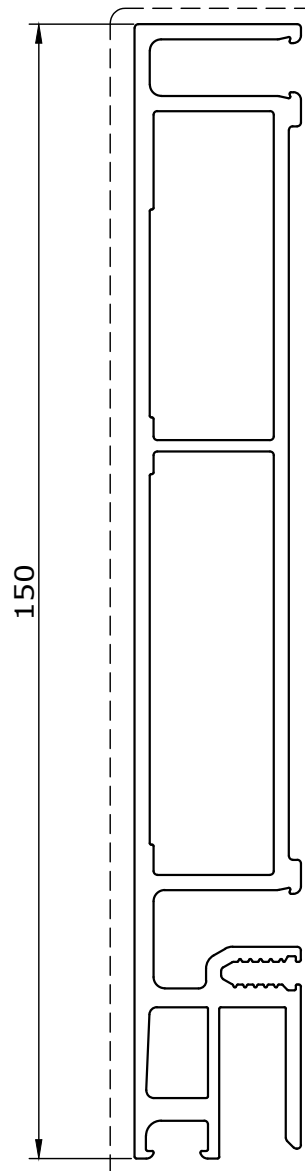
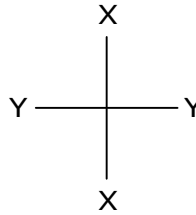
$$\begin{aligned}
 I_{xx} &= 141.3 \text{ cm}^4 \\
 I_{yy} &= 5.2 \text{ cm}^4 \\
 Z_{xx} &= 20.2 \text{ cm}^3 \\
 Z_{yy} &= 5.0 \text{ cm}^3
 \end{aligned}$$



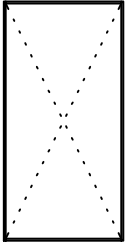
Perimeter = 417 mm
Length = 6.45 m
Visible Surface
Secondary Surface

1040 - Split mullion 150mm

$$\begin{aligned}
 I_{xx} &= 187.9 \text{ cm}^4 \\
 I_{yy} &= 5.7 \text{ cm}^4 \\
 Z_{xx} &= 24.0 \text{ cm}^3 \\
 Z_{yy} &= 5.5 \text{ cm}^3
 \end{aligned}$$



Perimeter = 507 mm
Length = 6.45 m
Visible Surface
Secondary Surface



1.52

Profile Identification

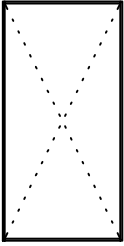
Changes reserved
 Sous reserve de modifications
 Änderungen vorbehalten

Issue: 05
 Date :10-16

Standard Profiles

1

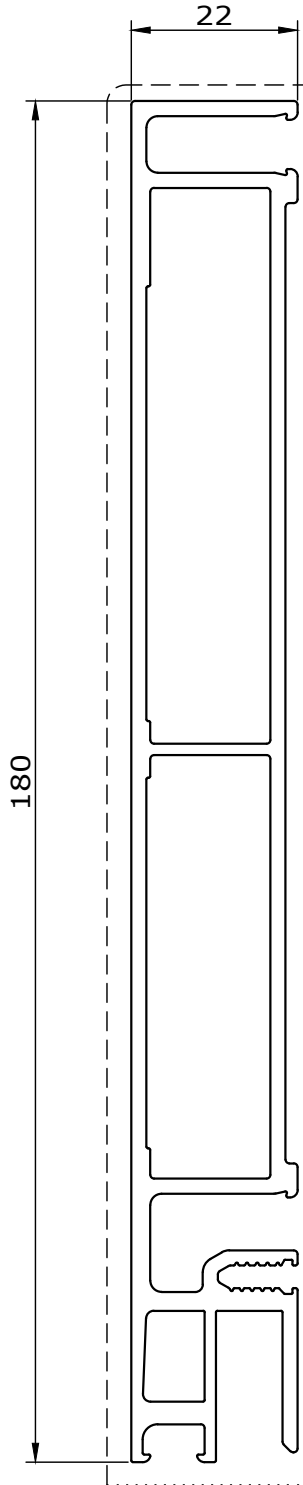
Comar 6EFT



1042 - Split mullion - 180mm

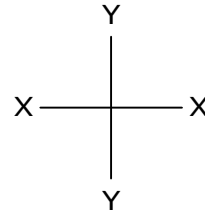
1.53

Profiles Identification



Perimeter = 567 mm
Length = 6.45 m

Visible Surface -----
Secondary Surface



$I_{xx} = 310.1 \text{ cm}$
 $I_{yy} = 6.7 \text{ cm}$
 $Z_{xx} = 32.8 \text{ cm}$
 $Z_{yy} = 6.5 \text{ cm}$

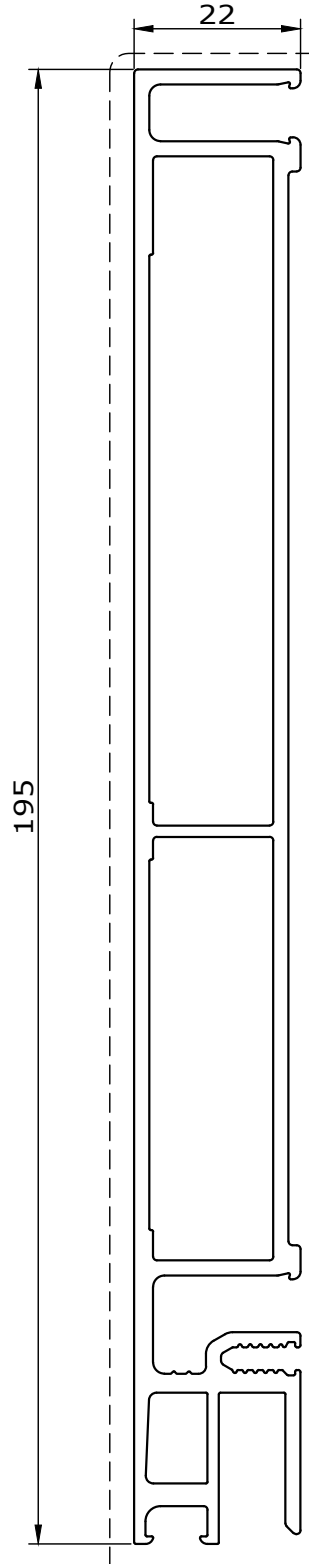
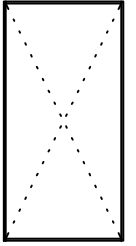
Copyright and ownership of this drawing is vested in EFT,
Euro Facade Systems Ltd, whose prior written consent is required
for its use, reproduction or for publication to any third party.
All other rights reserved. Subject to modifications.

Copyright and ownership of this drawing is vested in EFT,
Euro Facade Systems Ltd, whose prior written consent is required
for its use, reproduction or for publication to any third party.
All other rights reserved. Subject to modifications.

1 Standard Profiles

Comar 6EFT

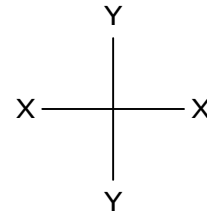
1043 - Split mullion - 195mm



1.54

Perimeter = 597 mm
Length = 6.45 m

Visible Surface -----
Secondary Surface



$I_{xx} = 387.1 \text{ cm}^4$
 $I_{yy} = 7.3 \text{ cm}^4$
 $Z_{xx} = 37.8 \text{ cm}^3$
 $Z_{yy} = 6.0 \text{ cm}^3$

Profiles Identification

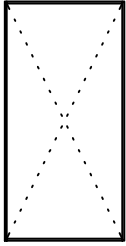
Changes reserved
Sous reserve de modifications
Änderungen vorbehalten

Issue: 05
Date : 10-16

Standard Profiles

1

Comar 6EFT

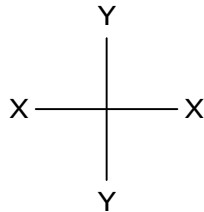


1044 - Split mullion - 210mm

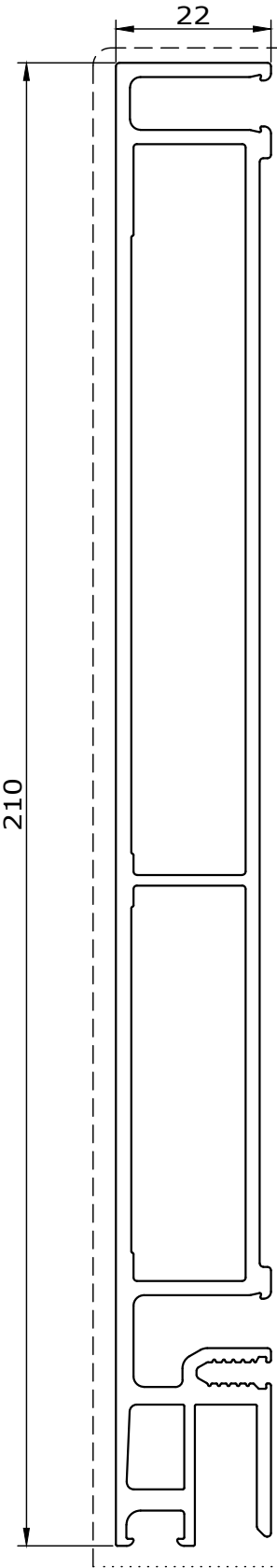
1.55

Perimeter = 627 mm
Length = 6.45 m

Visible Surface -----
Secondary Surface



$I_{xx} = 481.0 \text{ cm}^4$
 $I_{yy} = 7.9 \text{ cm}^4$
 $Z_{xx} = 43.7 \text{ cm}^3$
 $Z_{yy} = 6.5 \text{ cm}^3$



Copyright and ownership of this drawing is vested in EFT,
Euro Facade Systems Ltd, whose prior written consent is required
for its use, reproduction or for publication to any third party.
All other rights reserved. Subject to modifications.

Profiles Identification



comar

ARCHITECTURAL ALUMINIUM SYSTEMS

Changes reserved
Sous reserve de modifications
Änderungen vorbehalten

Issue: 05
Date : 10-16

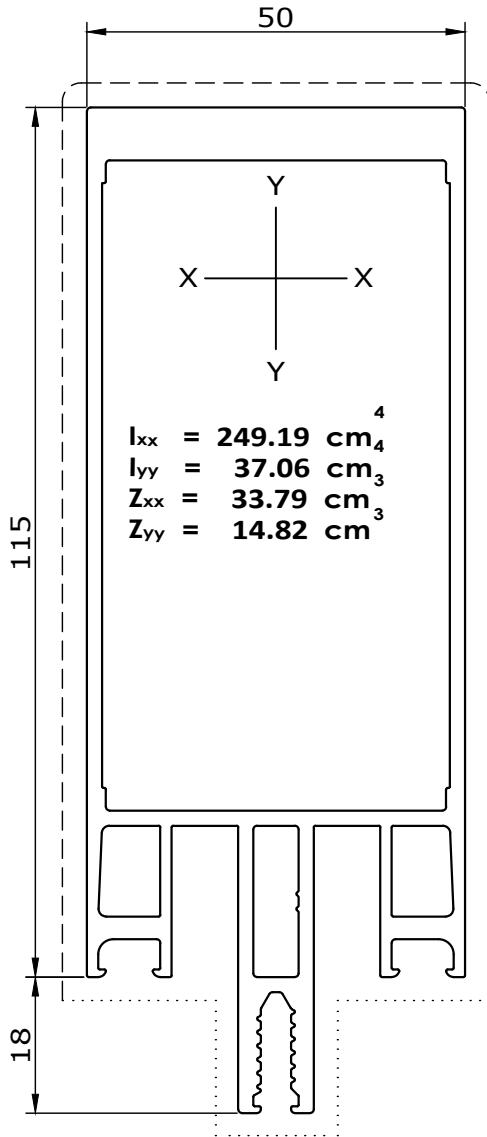
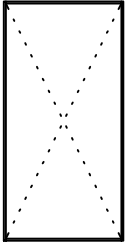
Copyright and ownership of this drawing is vested in EFT, Euro Facade Systems Ltd, whose prior written consent is required for its use, reproduction or for publication to any third party. All other rights reserved.

1 Standard Profiles

Comar 6EFT

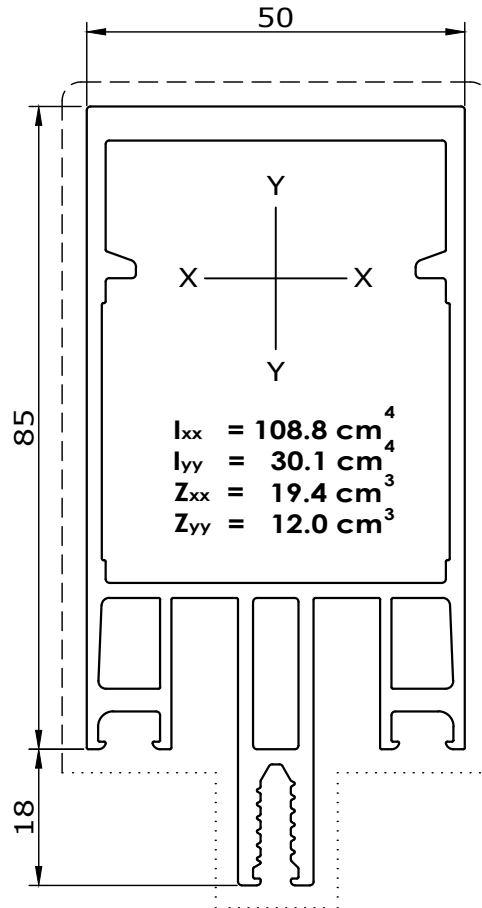
1069 - Mullion - 115mm

1070 - Mullion - 85mm



Perimeter = 506 mm
Length = 6.45 m

Visible Surface _____
Secondary Surface



Perimeter = 448 mm
Length = 6.45 m

Visible Surface _____
Secondary Surface

1.56

Profiles Identification

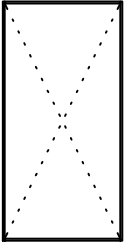
Changes reserved
Sous reserve de modifications
Änderungen vorbehalten

Issue: 05
Date :10-16

Standard Profiles

1

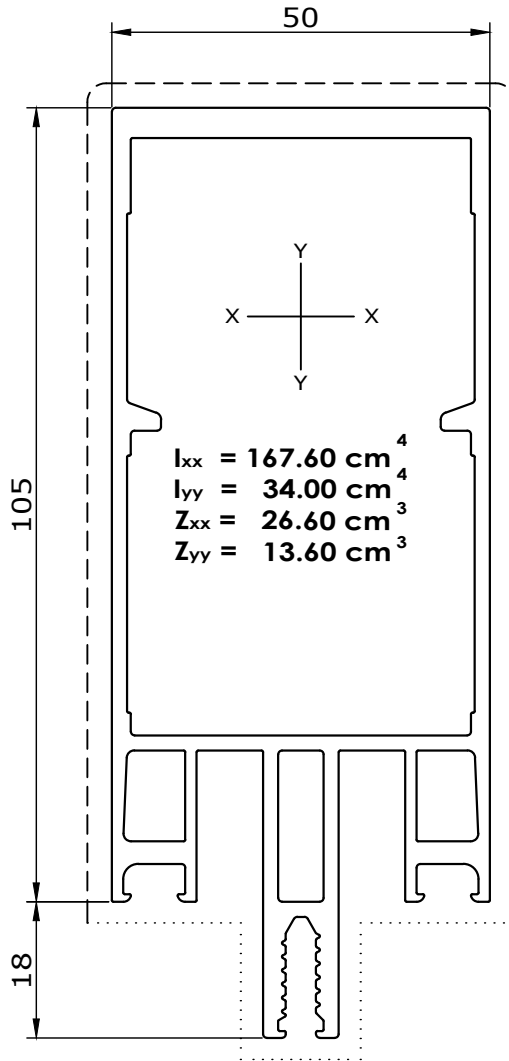
Comar 6EFT



1072 - Mullion - 105 mm

1.57

Profiles Identification



Perimeter = 487 mm

Length = 6.45 m

Visible Surface -----

Secondary Surface

Copyright and ownership of this drawing is vested in EFT, Euro Facade Systems Ltd, whose prior written consent is required for its use, reproduction or for publication to any third party. All other rights reserved. Subject to modifications.

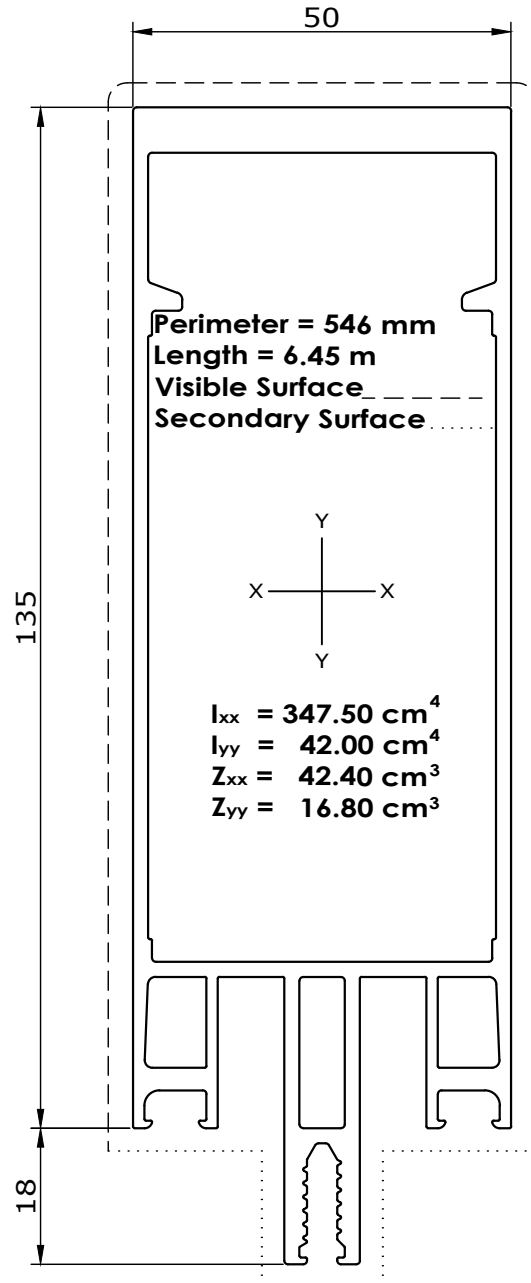
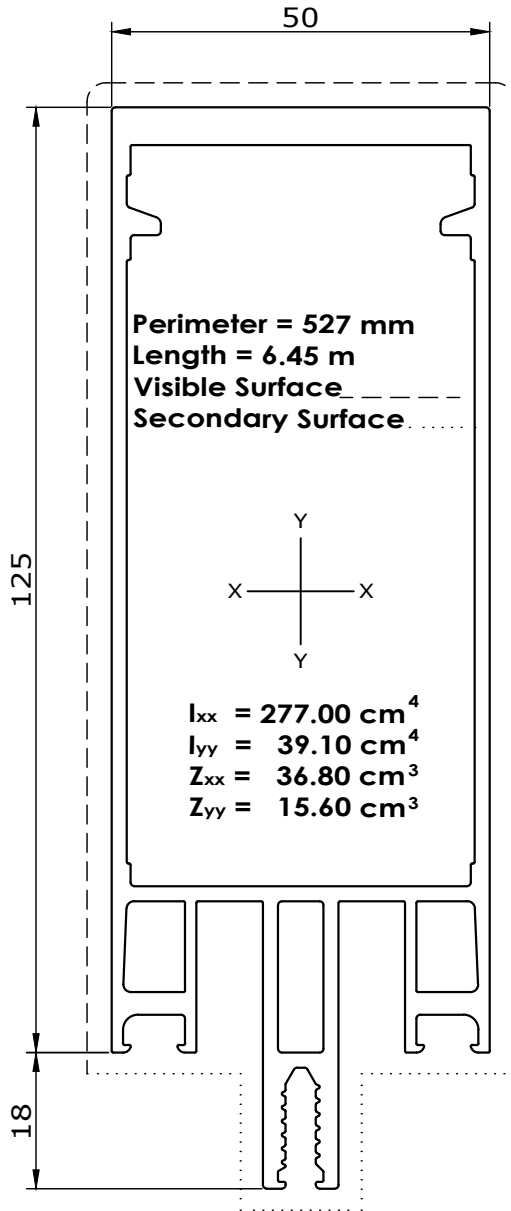
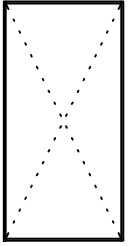
Copyright and ownership of this drawing is vested in EFT,
Euro Facade Systems Ltd, whose prior written consent is required
for its use, reproduction or for publication to any third party.
All other rights reserved. Subject to modifications.

1 Standard Profiles

Comar 6EFT

1073 - Mullion - 125 mm

1074 - Mullion - 135 mm



1.58

Profile Identification

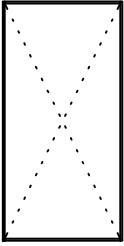
Changes reserved
Sous reserve de modifications
Änderungen vorbehalten

Issue: 05
Date :10-16

Standard Profiles

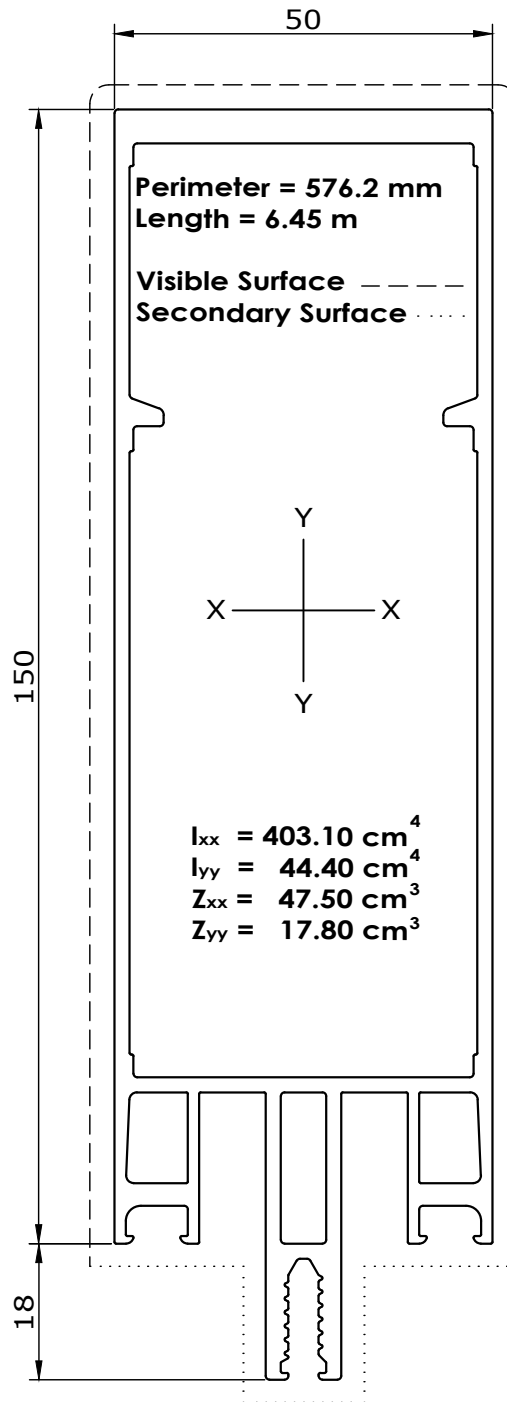
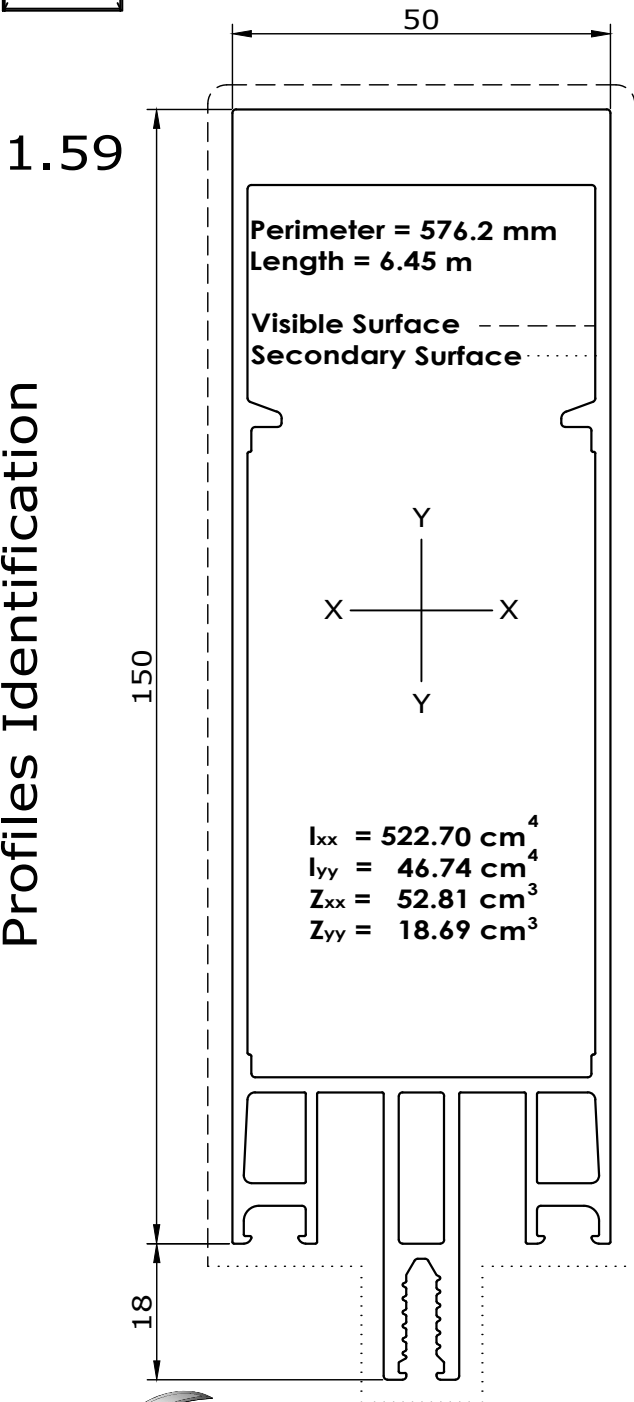
1

Comar 6EFT



1075 - Mullion - 150 mm 1076 - Mullion - 150 mm

Profiles Identification

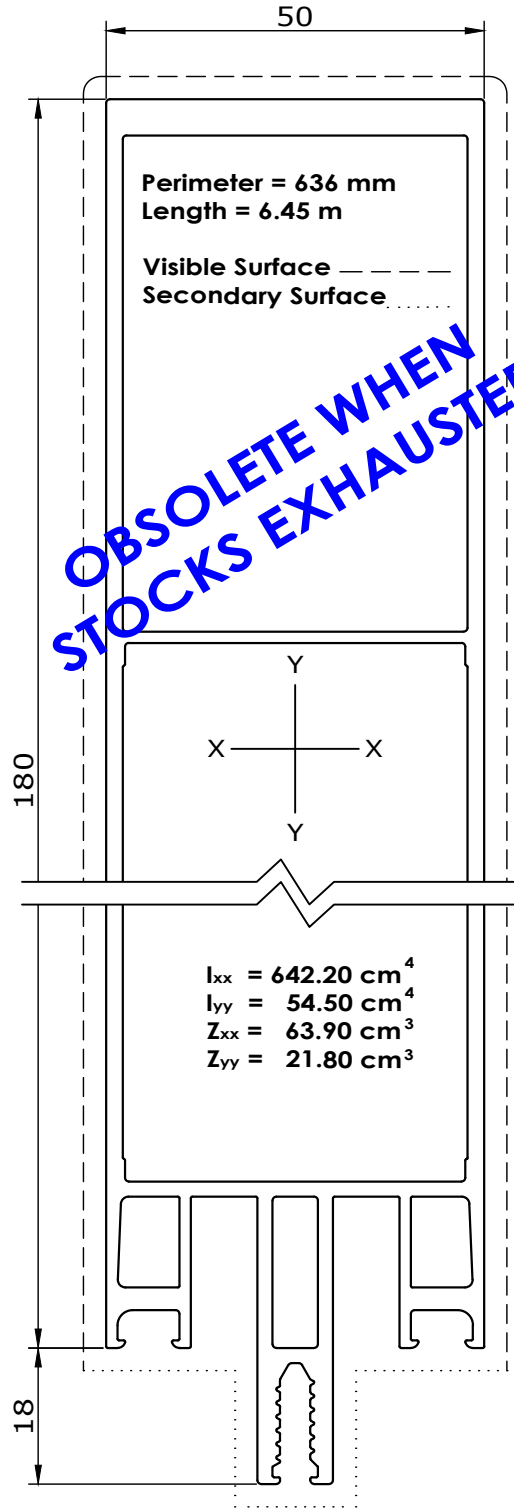
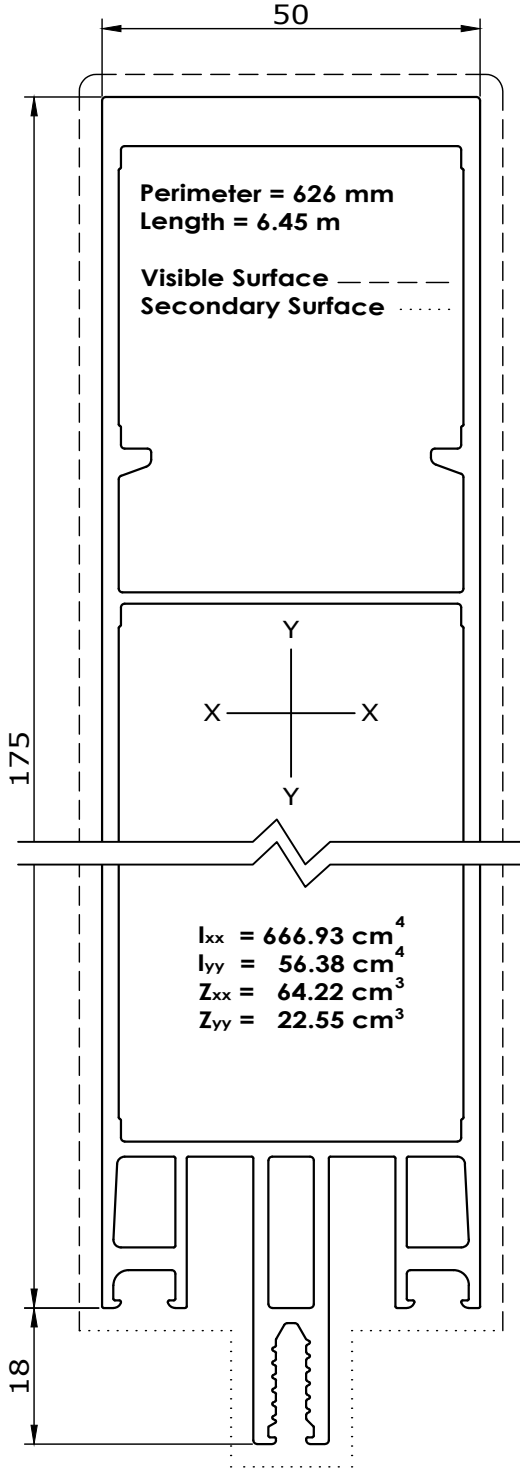
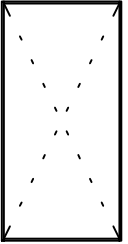


Copyright and ownership of this drawing is vested in EFT, Euro Facade Systems Ltd, whose prior written consent is required for its use, reproduction or for publication to any third party. All other rights reserved. Subject to modifications.



1077 - Mullion - 175 mm

1078 - Mullion - 180 mm



OBSOLETE WHEN STOCKS EXHAUSTED

1.60

Profile Identification

Copyright and ownership of this drawing is vested in EFT, Euro Facade Systems Ltd, whose prior written consent is required for its use, reproduction or for publication to any third party. All other rights reserved. Subject to modifications.

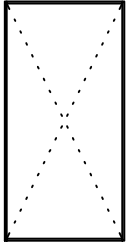
Changes reserved
Sous reserve de modifications
Änderungen vorbehalten

Issue: 05
Date :10-16

Standard Profiles

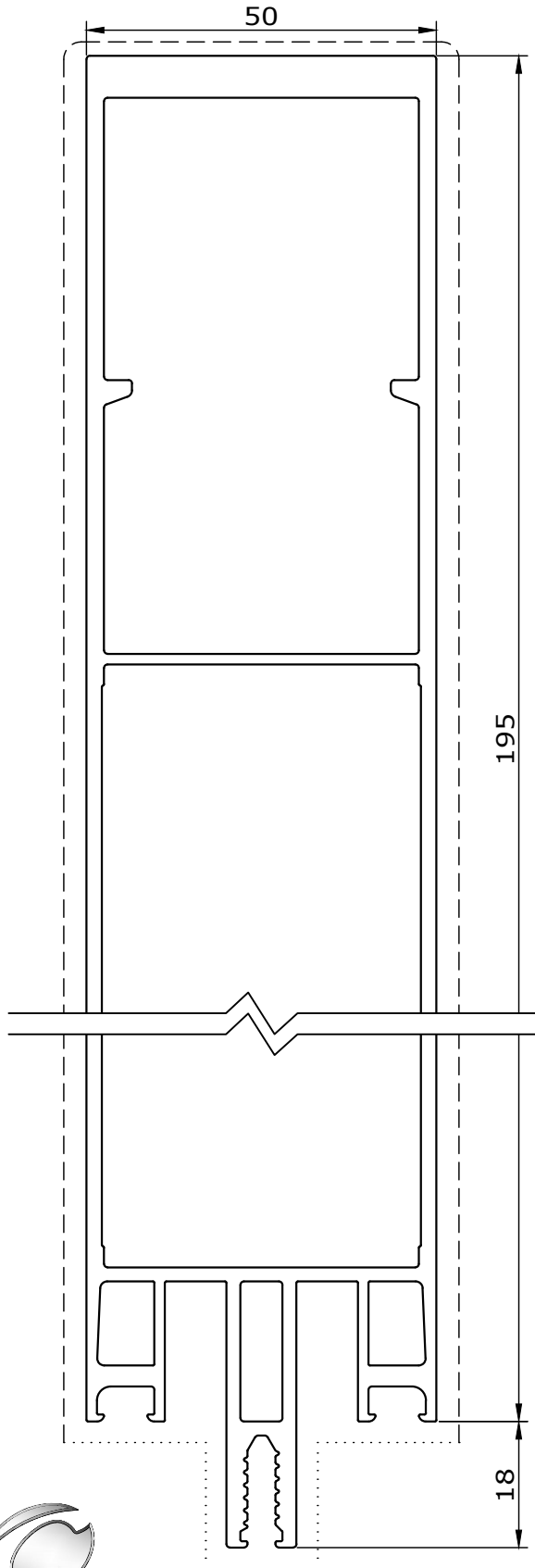
1

Comar 6EFT



1.61

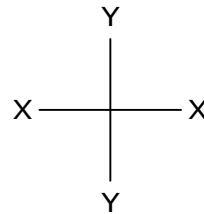
Profiles Identification



1080 - Mullion - 195mm

Perimeter = 666 mm
Length = 6.45 m

Visible Surface -----
Secondary Surface



$I_{xx} = 852.6 \text{ cm}^4$
 $I_{yy} = 62.7 \text{ cm}^4$
 $Z_{xx} = 75.4 \text{ cm}^3$
 $Z_{yy} = 25.1 \text{ cm}^3$

Copyright and ownership of this drawing is vested in EFT,
Euro Facade Systems Ltd, whose prior written consent is required
for its use, reproduction or for publication to any third party.
All other rights reserved. Subject to modifications.

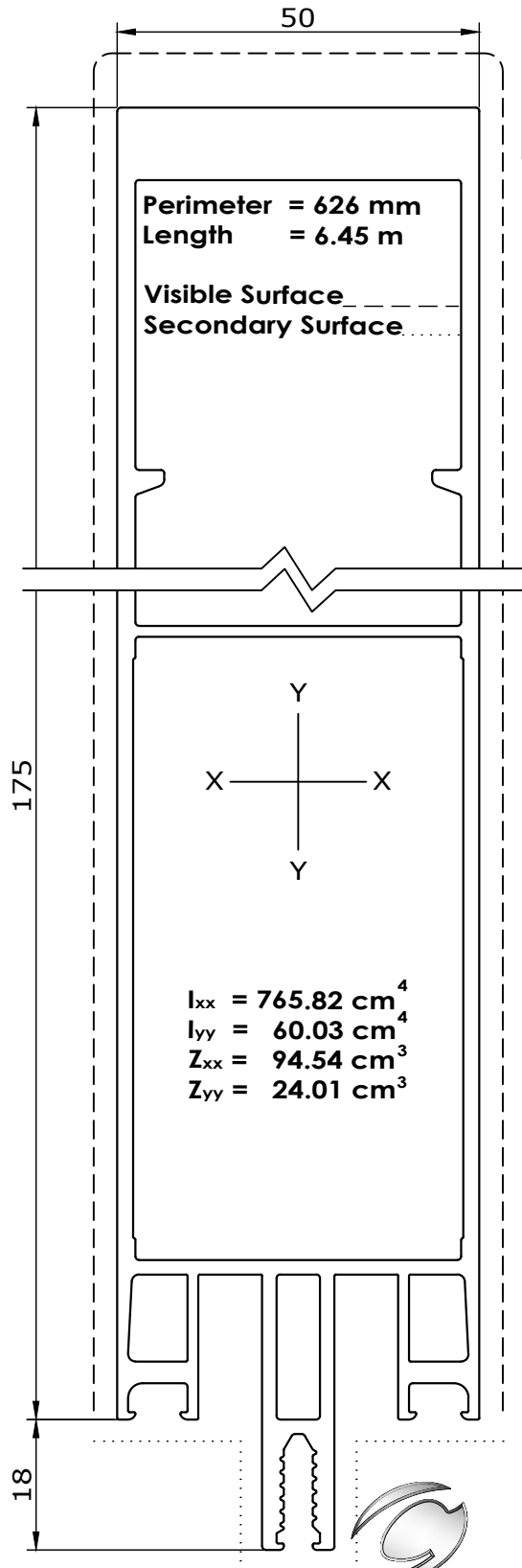
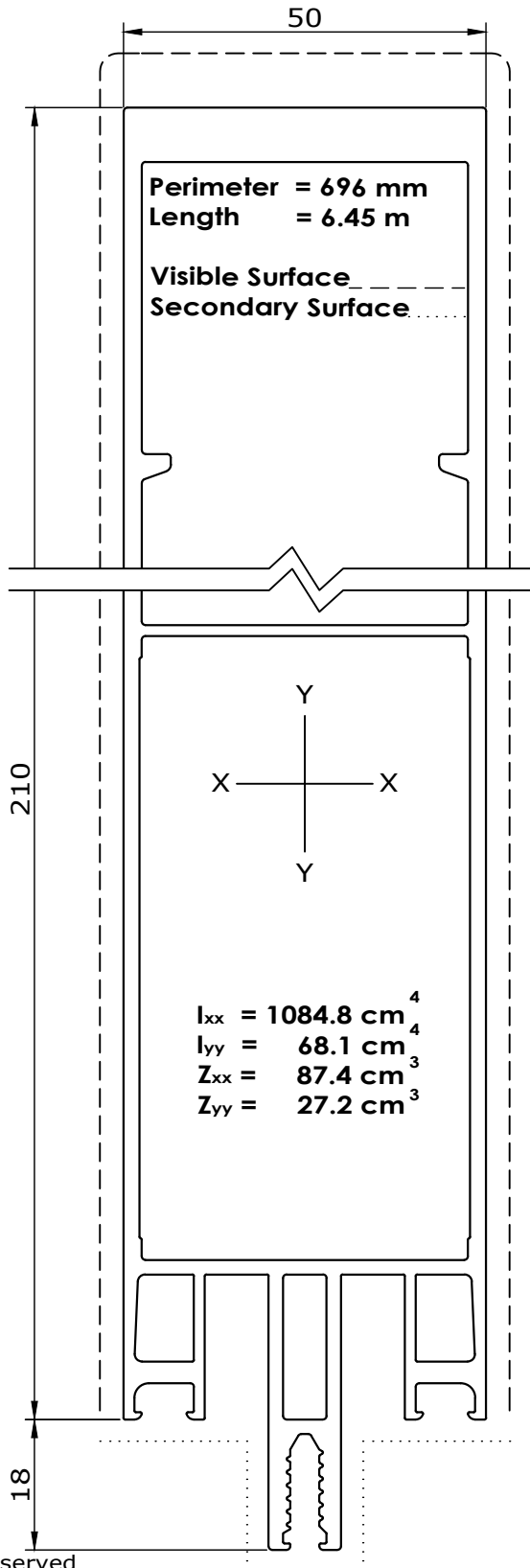
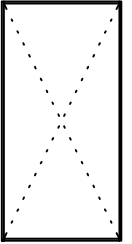


comar
ARCHITECTURAL ALUMINIUM SYSTEMS

Changes reserved
Sous reserve de modifications
Änderungen vorbehalten

Issue: 05
Date : 10-16

1082 - Mullion - 210 mm 1085 - Mullion - 175 mm



1.62

Profiles Identification

Copyright and ownership of this drawing is vested in EFT, Euro Facade Systems Ltd, whose prior written consent is required for its use, reproduction or for publication to any third party. All other rights reserved. Subject to modifications.

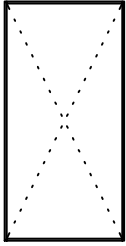
Changes reserved
 Sous reserve de modifications
 Änderungen vorbehalten

Issue: 05
 Date : 10-16

Standard Profiles

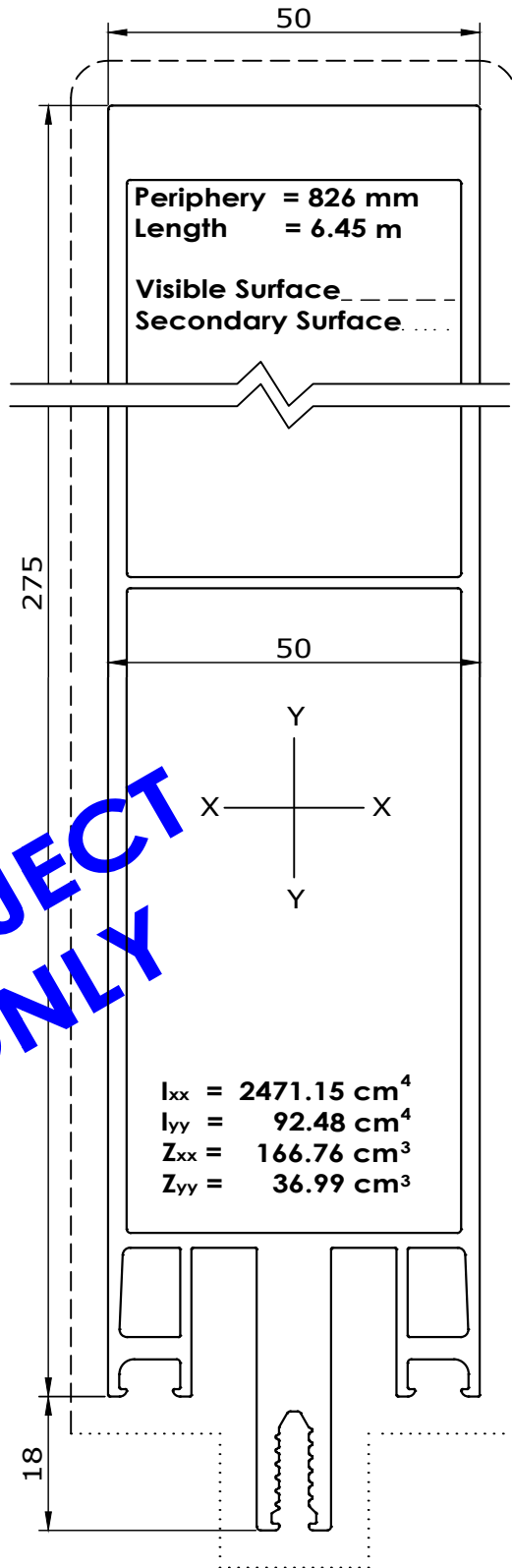
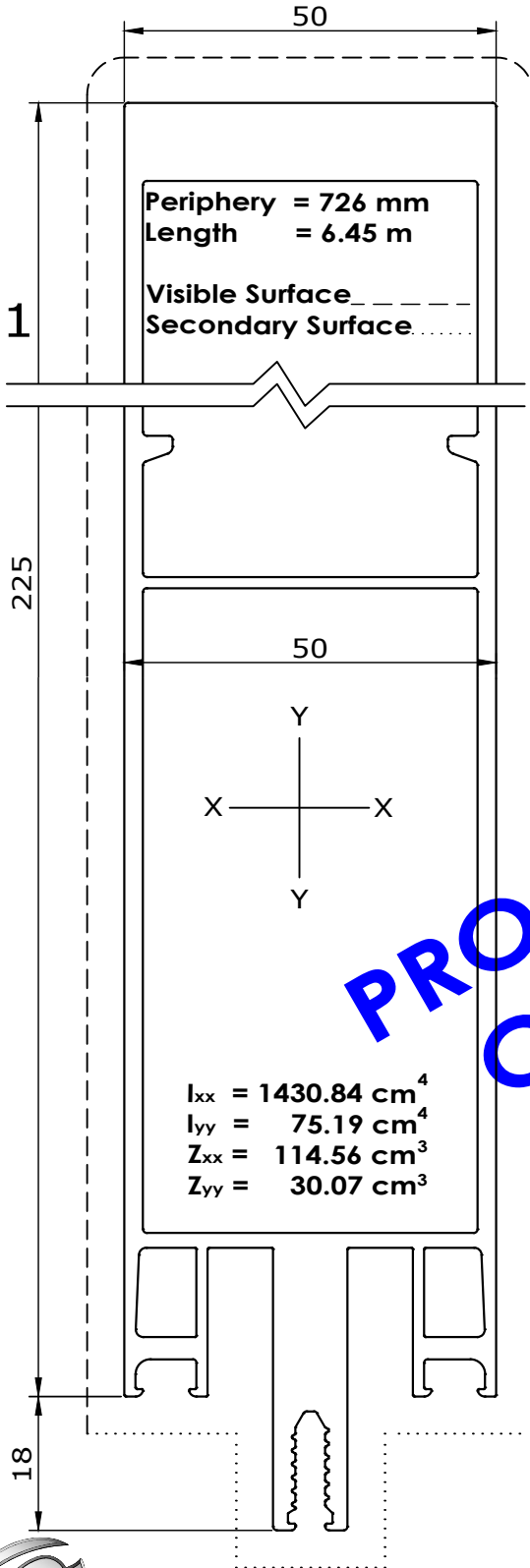
1

Comar 6EFT



1087 - Mullion - 225 mm 1090 - Mullion - 275 mm

1.62.1



PROJECT ONLY

Copyright and ownership of this drawing is vested in EFT, Euro Facade Systems Ltd, whose prior written consent is required for its use, reproduction or for publication to any third party. All other rights reserved. Subject to modifications.

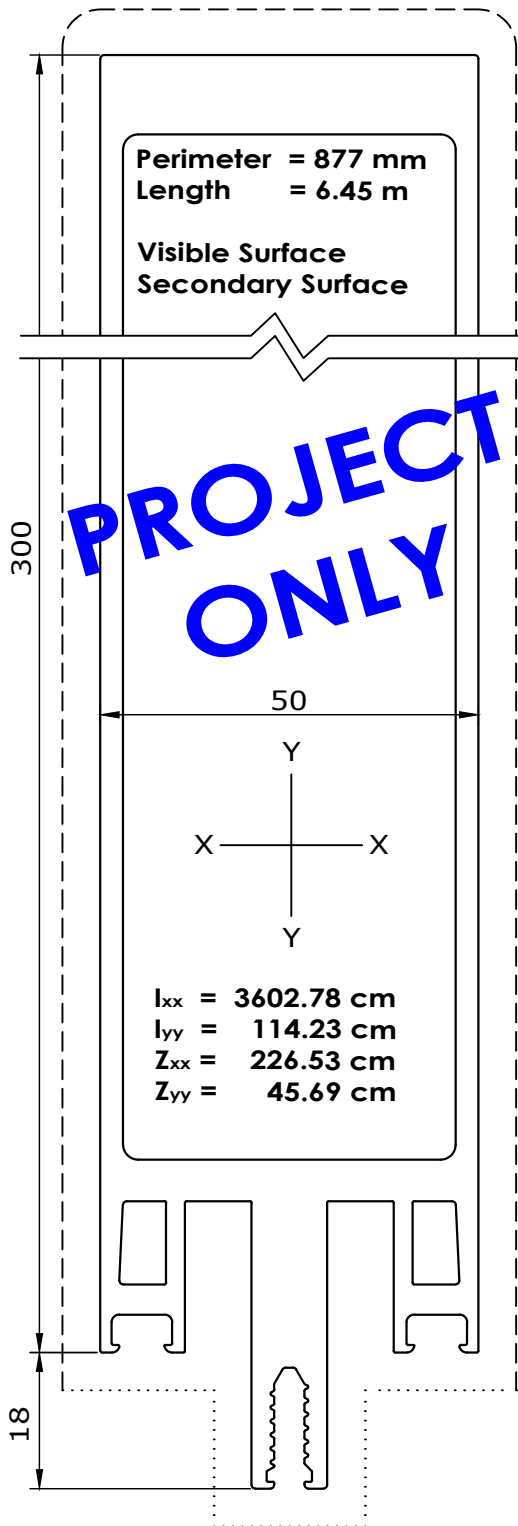
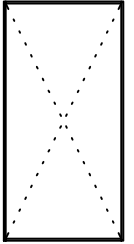
Copyright and ownership of this drawing is vested in EFT,
Euro Facade Systems Ltd, whose prior written consent is required
for its use, reproduction or for publication to any third party.
All other rights reserved. Subject to modifications.

1

Broadsheets

Comar 6EFT

1095 - Mullion - 300 mm



1.62.2

Profiles Identification

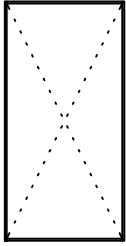
Changes reserved
Sous reserve de modifications
Änderungen vorbehalten

Issue:05
Date :05-17

Standard Profiles

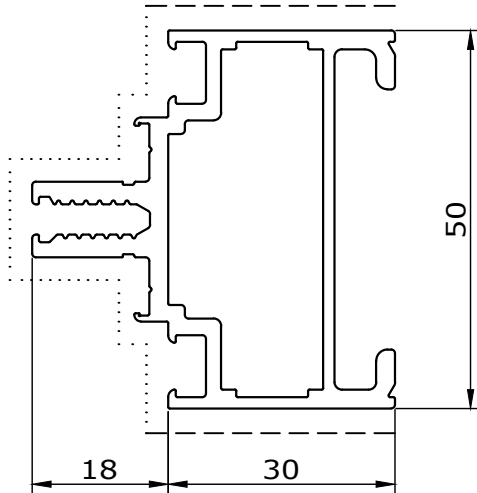
1

Comar 6EFT



1125 - Transom- 30 mm Direct to steel fix only

1.63

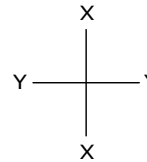


Perimeter = 302.2 mm

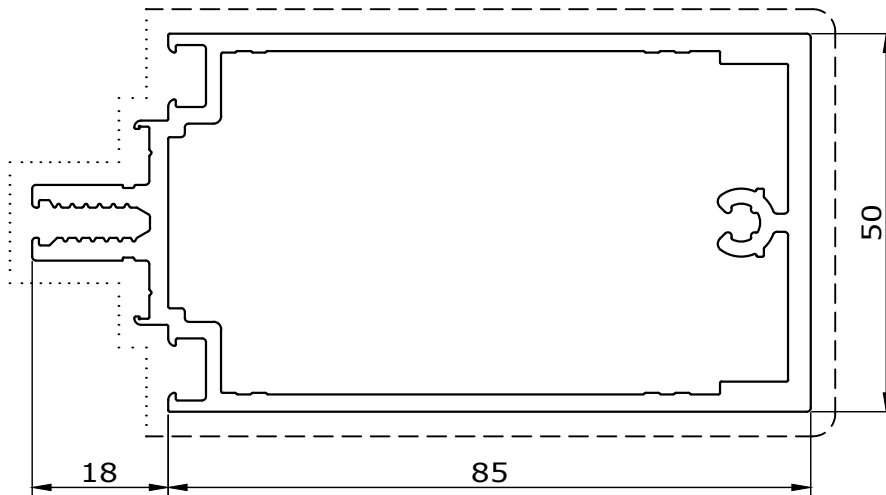
Length = 6.45 m

Visible Surface -----

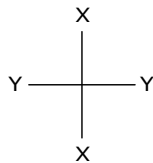
Secondary Surface



1143 - Transom- 85 mm



$I_{xx} = 101.89 \text{ cm}^4$
 $I_{yy} = 28.34 \text{ cm}^4$
 $Z_{xx} = 17.53 \text{ cm}^3$
 $Z_{yy} = 11.34 \text{ cm}^3$



Perimeter = 376.9 mm

Length = 6.45 m

Visible Surface _____

Secondary Surface _____

Profiles Identification



comar

ARCHITECTURAL ALUMINIUM SYSTEMS

Changes reserved
 Sous reserve de modifications
 Änderungen vorbehalten

Issue: 05
 Date : 10-16

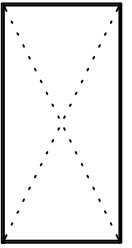
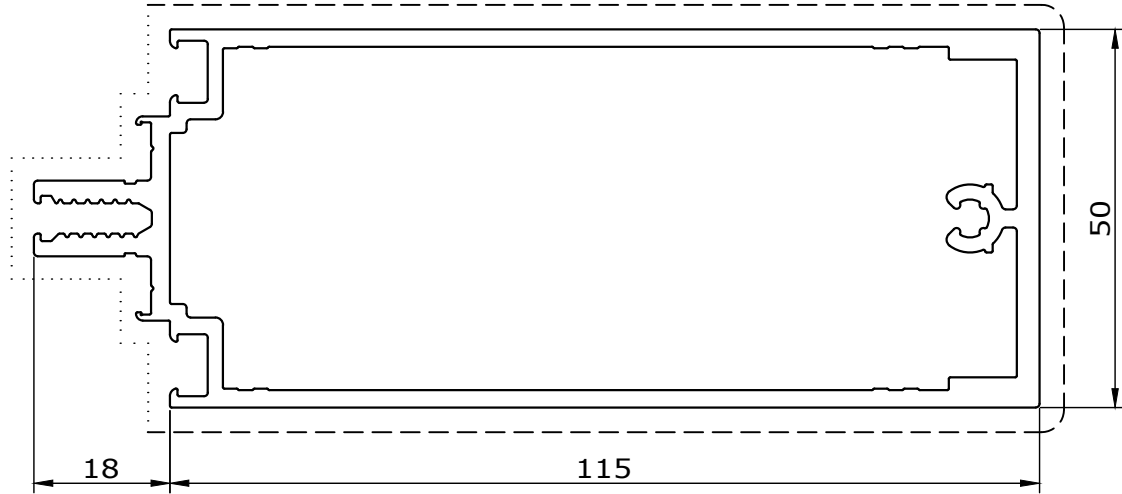
Copyright and ownership of this drawing is vested in EFT,
 Euro Facade Systems Ltd, whose prior written consent is required
 for its use, reproduction or for publication to any third party.
 All other rights reserved. Subject to modifications.

Copyright and ownership of this drawing is vested in EFT, Euro Facade Systems Ltd, whose prior written consent is required for its use, reproduction or for publication to any third party. All other rights reserved. Subject to modifications.

1 Standard Profiles

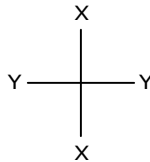
Comar 6EFT

1144 - Transom - 115 mm



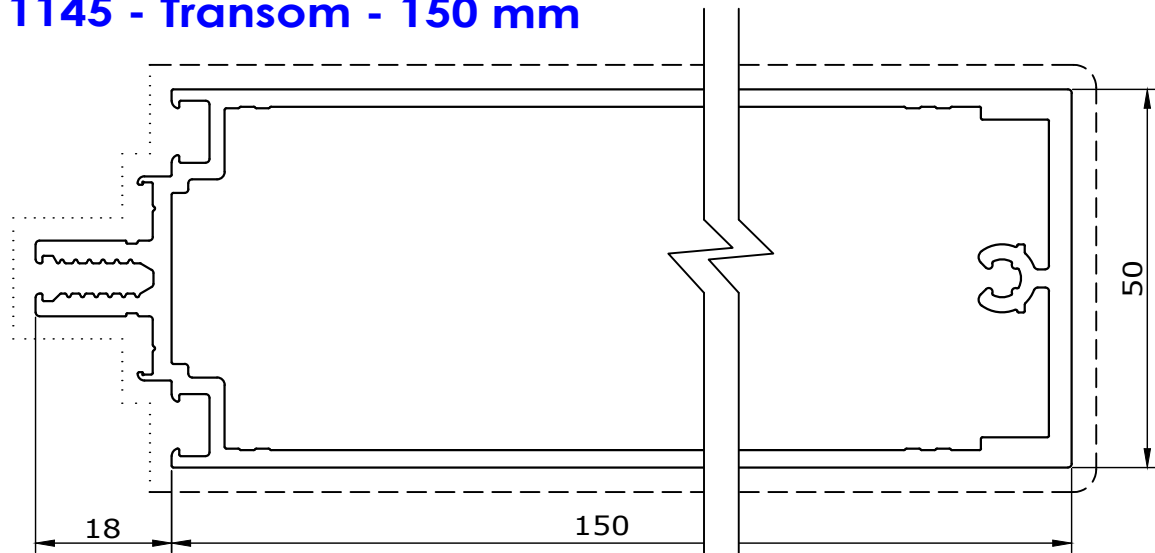
1.64

$$\begin{aligned}
 I_{xx} &= 210.13 \text{ cm}^4 \\
 I_{yy} &= 36.20 \text{ cm}^4 \\
 Z_{xx} &= 27.45 \text{ cm}^3 \\
 Z_{yy} &= 14.48 \text{ cm}^3
 \end{aligned}$$

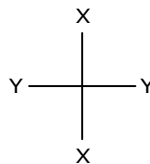


Perimeter = 436.9 mm
 Length = 6.45 m
 Visible Surface _____
 Secondary Surface

1145 - Transom - 150 mm



$$\begin{aligned}
 I_{xx} &= 372.00 \text{ cm}^4 \\
 I_{yy} &= 45.37 \text{ cm}^4 \\
 Z_{xx} &= 40.92 \text{ cm}^3 \\
 Z_{yy} &= 18.15 \text{ cm}^3
 \end{aligned}$$



Perimeter = 506.9 mm
 Length = 6.45 m
 Visible Surface _____
 Secondary Surface

Profile Identification

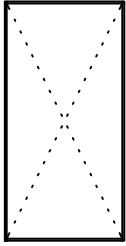
Changes reserved
 Sous reserve de modifications
 Änderungen vorbehalten

Issue: 05
 Date :10-16

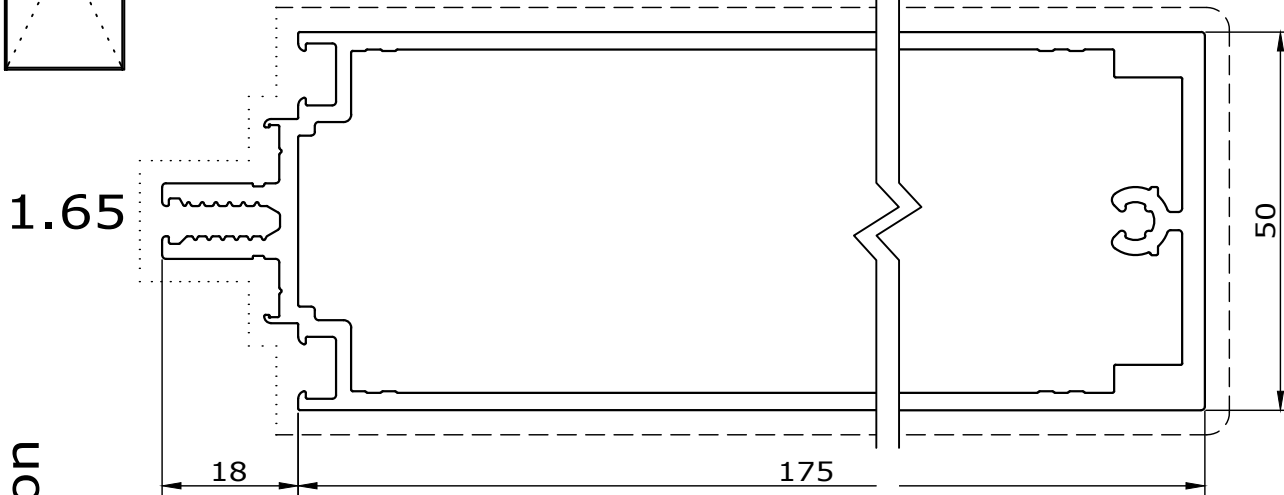
Standard Profiles

1

Comar 6EFT



1147 - Transom - 175 mm

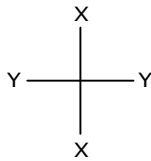


$$I_{xx} = 559.13 \text{ cm}^4$$

$$I_{yy} = 53.35 \text{ cm}^4$$

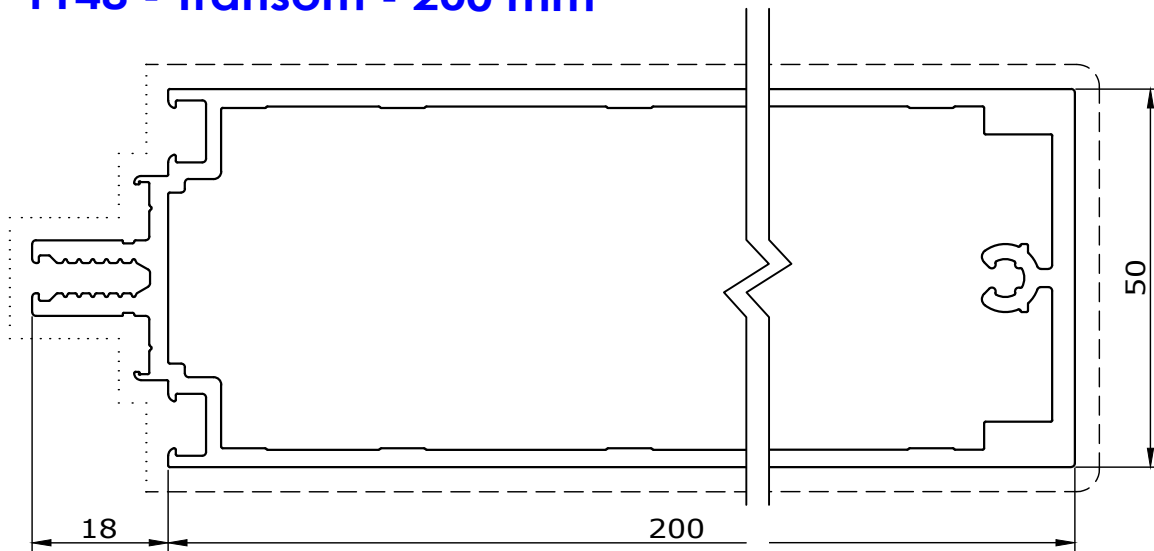
$$Z_{xx} = 52.85 \text{ cm}^3$$

$$Z_{yy} = 21.34 \text{ cm}^3$$



Perimeter = 556.9 mm
 Length = 6.45 m
 Visible Surface
 Secondary Surface

1148 - Transom - 200 mm

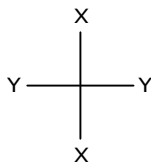


$$I_{xx} = 772.27 \text{ cm}^4$$

$$I_{yy} = 60.57 \text{ cm}^4$$

$$Z_{xx} = 65.21 \text{ cm}^3$$

$$Z_{yy} = 24.23 \text{ cm}^3$$



Perimeter = 606.75 mm
 Length = 6.45 m
 Visible Surface
 Secondary Surface

Copyright and ownership of this drawing is vested in EFT, Euro Facade Systems Ltd, whose prior written consent is required for its use, reproduction or for publication to any third party. All other rights reserved. Subject to modifications.

Profiles Identification



comar
 ARCHITECTURAL ALUMINIUM SYSTEMS

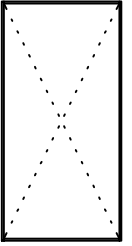
Changes reserved
 Sous reserve de modifications
 Änderungen vorbehalten

Issue: 05
 Date : 10-16

1

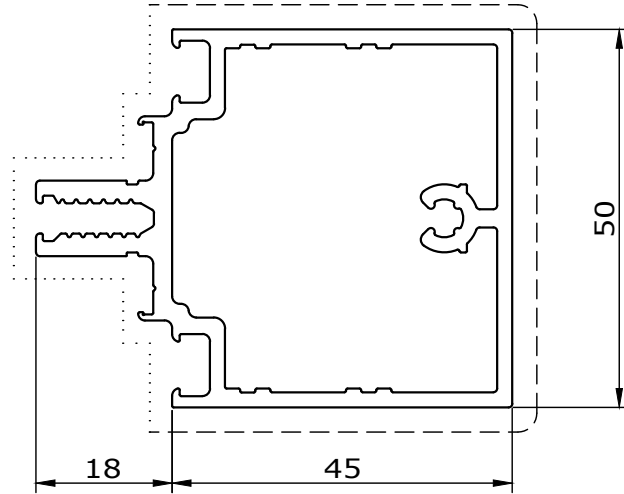
Standard Profiles

Comar 6EFT

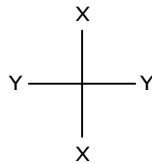


1.66

1149- Transom - 45 mm

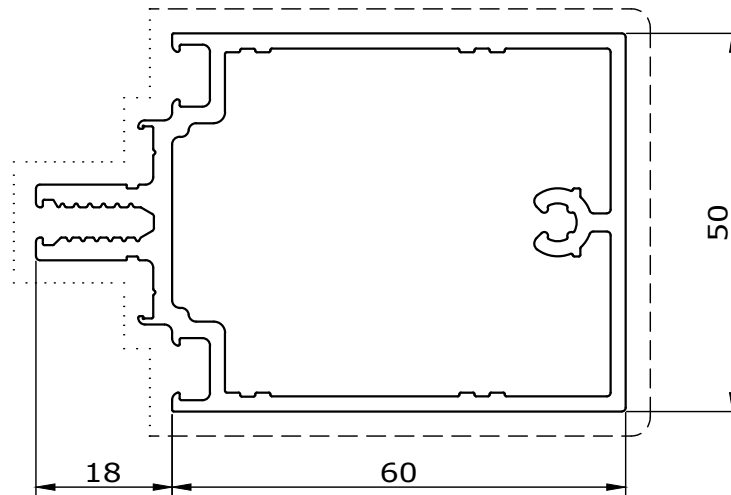


$$\begin{aligned}
 I_{xx} &= 19.9 \text{ cm}^4 \\
 I_{yy} &= 12.8 \text{ cm}^4 \\
 Z_{xx} &= 6.0 \text{ cm}^3 \\
 Z_{yy} &= 5.1 \text{ cm}^3
 \end{aligned}$$

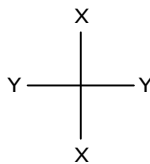


Perimeter = 296 mm
 Length = 6.45 m
 Visible Surface _____
 Secondary Surface

1150- Transom - 60 mm



$$\begin{aligned}
 I_{xx} &= 36.3 \text{ cm}^4 \\
 I_{yy} &= 15.5 \text{ cm}^4 \\
 Z_{xx} &= 9.2 \text{ cm}^3 \\
 Z_{yy} &= 6.2 \text{ cm}^3
 \end{aligned}$$



Perimeter = 329 mm
 Length = 6.45 m
 Visible Surface _____
 Secondary Surface

Profile Identification

Copyright and ownership of this drawing is vested in EFT,
 Euro Facade Systems Ltd, whose prior written consent is required
 for its use, reproduction or for publication to any third party.
 All other rights reserved. Subject to modifications.

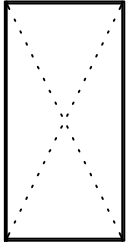
Changes reserved
 Sous reserve de modifications
 Änderungen vorbehalten

Issue: 05
 Date :10-16

Standard Profiles

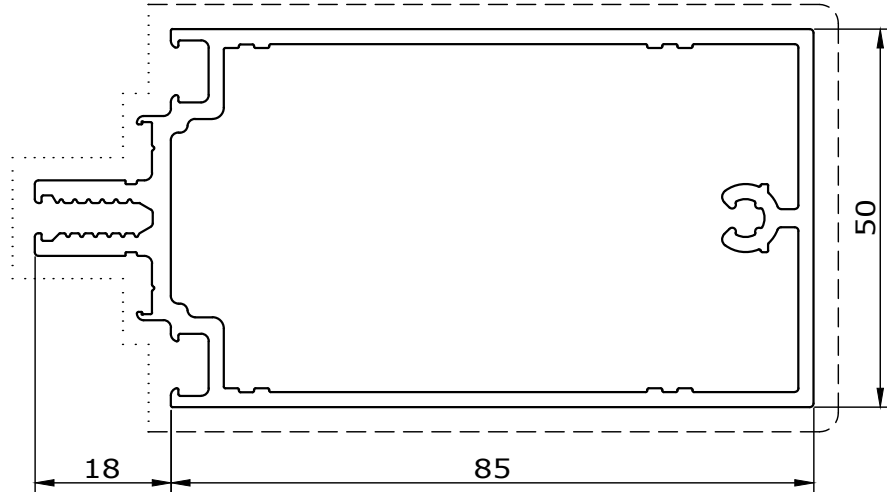
1

Comar 6EFT



1.67

1151 - Transom - 85 mm

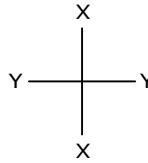


$$I_{xx} = 77.2 \text{ cm}^4$$

$$I_{yy} = 19.9 \text{ cm}^4$$

$$Z_{xx} = 14.8 \text{ cm}^3$$

$$Z_{yy} = 7.9 \text{ cm}^3$$



Perimeter = 379 mm

Length = 6.45 m

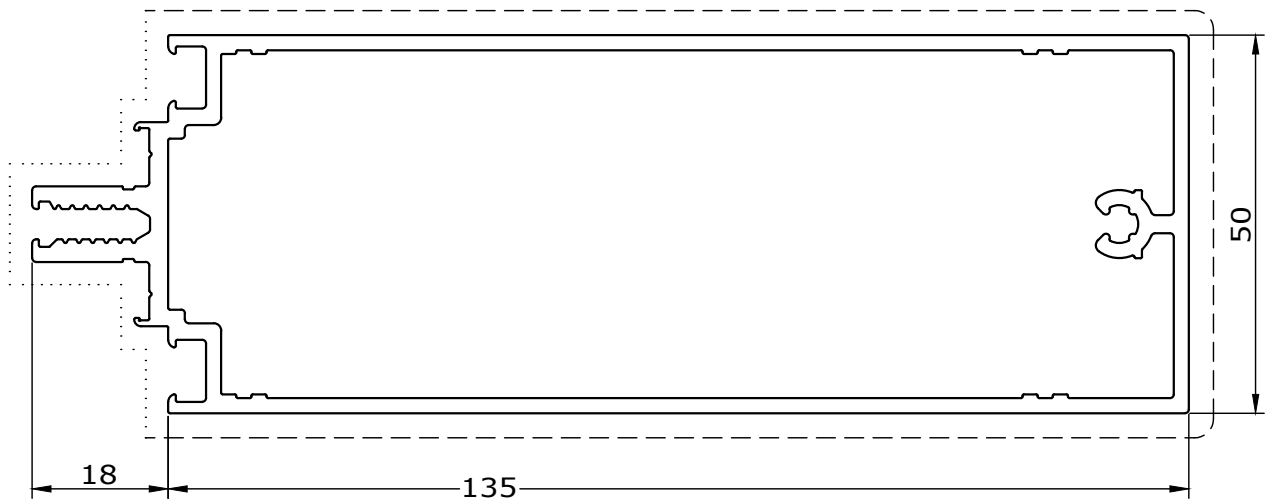
Visible Surface

Secondary Surface

Copyright and ownership of this drawing is vested in EFT, Euro Facade Systems Ltd, whose prior written consent is required for its use, reproduction or for publication to any third party. All other rights reserved. Subject to modifications.

Profiles Identification

1152 - Transom - 135mm

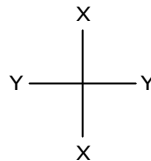


$$I_{xx} = 247.9 \text{ cm}^4$$

$$I_{yy} = 35.5 \text{ cm}^4$$

$$Z_{xx} = 31.9 \text{ cm}^3$$

$$Z_{yy} = 14.2 \text{ cm}^3$$



Perimeter = 476 mm

Length = 6.45 m

Visible Surface

Secondary Surface



comar

ARCHITECTURAL ALUMINIUM SYSTEMS

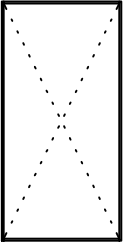
Changes reserved
Sous reserve de modifications
Änderungen vorbehalten

Issue: 05
Date : 10-16

1

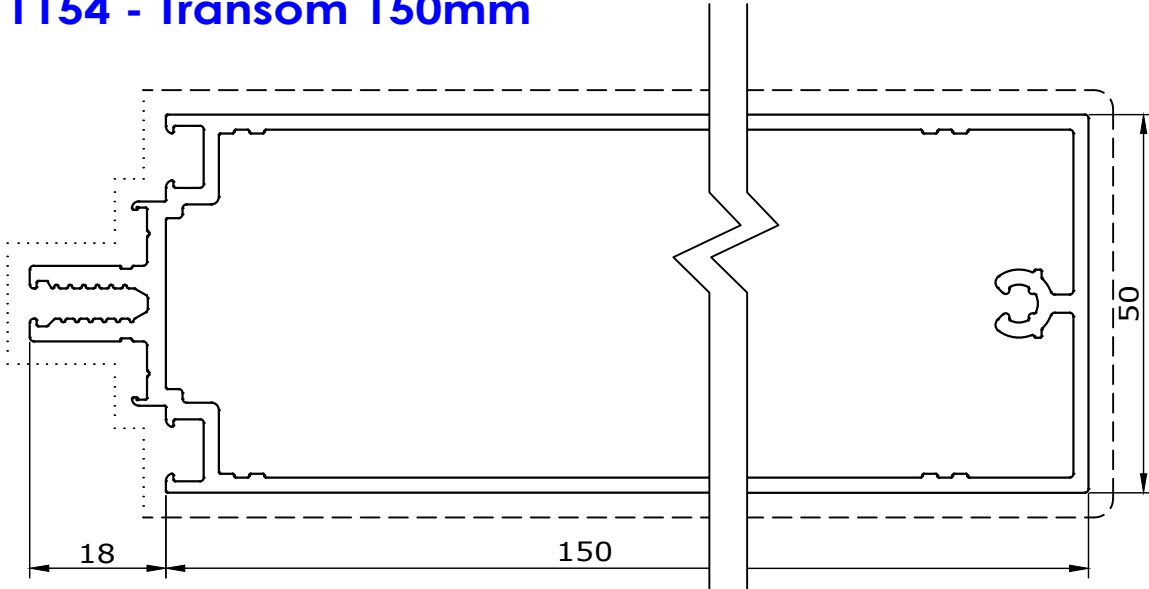
Standard Profiles

Comar 6EFT

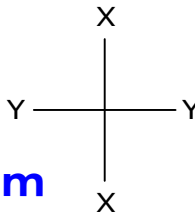


1.68

1154 - Transom 150mm



$$\begin{aligned}
 I_{xx} &= 317.3 \text{ cm}^4 \\
 I_{yy} &= 39.0 \text{ cm}^4 \\
 Z_{xx} &= 37.3 \text{ cm}^3 \\
 Z_{yy} &= 15.6 \text{ cm}^3
 \end{aligned}$$



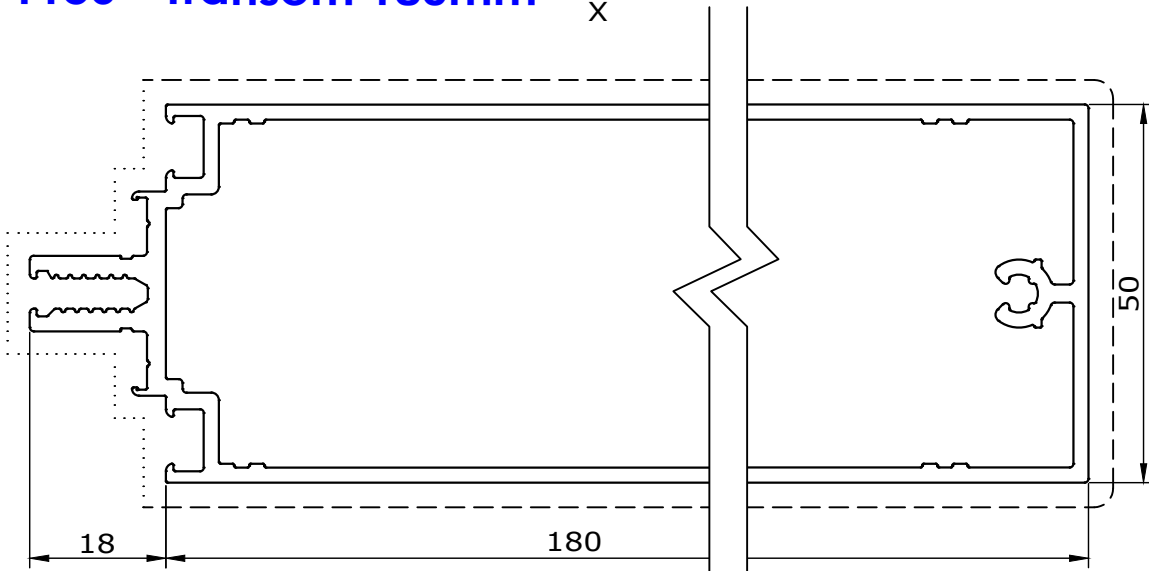
Perimeter = 506 mm

Length = 6.45 m

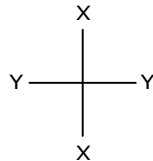
Visible Surface _____

Secondary Surface

1156 - Transom 180mm



$$\begin{aligned}
 I_{xx} &= 489.4 \text{ cm}^4 \\
 I_{yy} &= 45.9 \text{ cm}^4 \\
 Z_{xx} &= 49.1 \text{ cm}^3 \\
 Z_{yy} &= 18.4 \text{ cm}^3
 \end{aligned}$$



Perimeter = 565 mm

Length = 6.45 m

Visible Surface _____

Secondary Surface

Profiles Identification

Copyright and ownership of this drawing is vested in EFT, Euro Facade Systems Ltd, whose prior written consent is required for its use, reproduction or for publication to any third party. All other rights reserved.

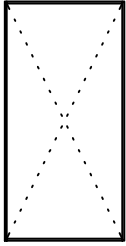
Changes reserved
 Sous reserve de modifications
 Änderungen vorbehalten

Issue: 05
 Date : 10-16

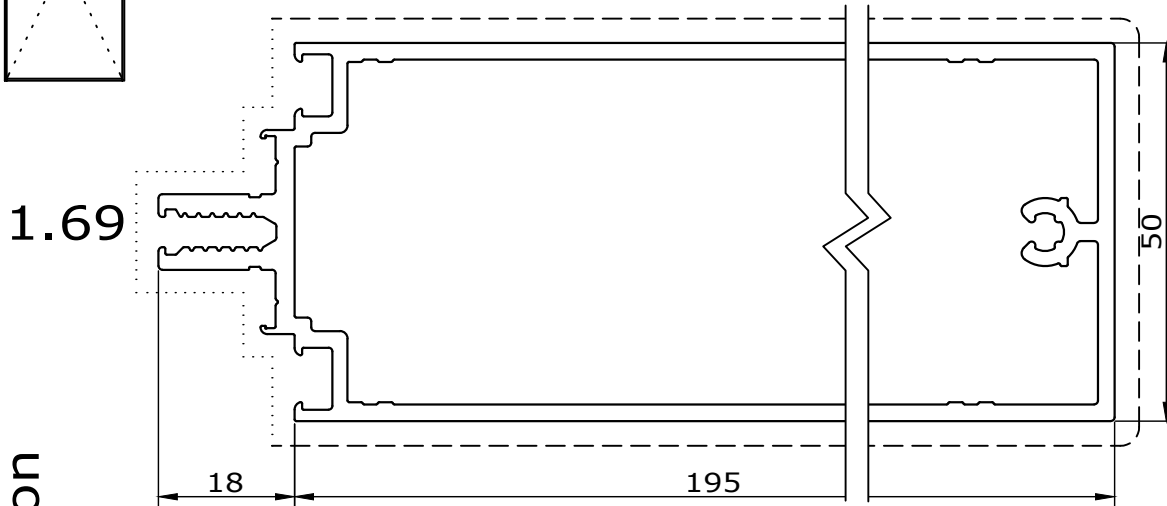
Standard Profiles

1

Comar 6EFT



1157 - Transom 195mm

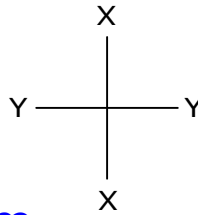


$$I_{xx} = 622.7 \text{ cm}^4$$

$$I_{yy} = 53.2 \text{ cm}^4$$

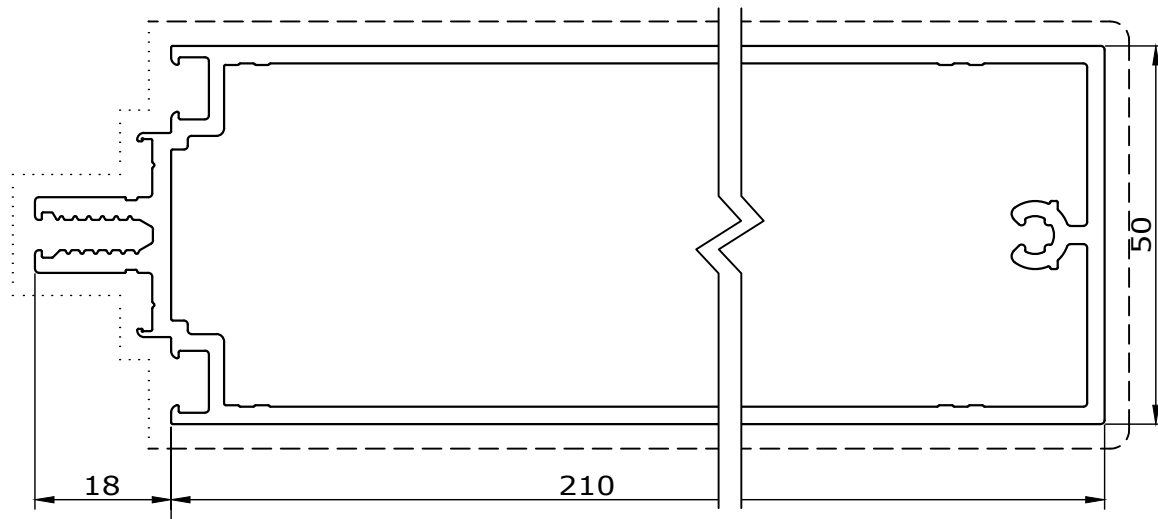
$$Z_{xx} = 57.4 \text{ cm}^3$$

$$Z_{yy} = 21.3 \text{ cm}^3$$



Perimeter = 595 mm
 Length = 6.45 m
 Visible Surface
 Secondary Surface

1158 - Transom 210mm



$$I_{xx} = 764.1 \text{ cm}^4$$

$$I_{yy} = 59.1 \text{ cm}^4$$

$$Z_{xx} = 65.6 \text{ cm}^3$$

$$Z_{yy} = 23.6 \text{ cm}^3$$

Perimeter = 625 mm
 Length = 6.45 m
 Visible Surface
 Secondary Surface

Profiles Identification

Copyright and ownership of this drawing is vested in EFT, Euro Facade Systems Ltd, whose prior written consent is required for its use, reproduction or for publication to any third party. All other rights reserved. Subject to modifications.



comar
 ARCHITECTURAL ALUMINIUM SYSTEMS

Changes reserved
 Sous reserve de modifications
 Änderungen vorbehalten

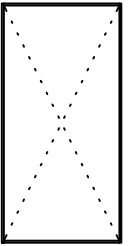
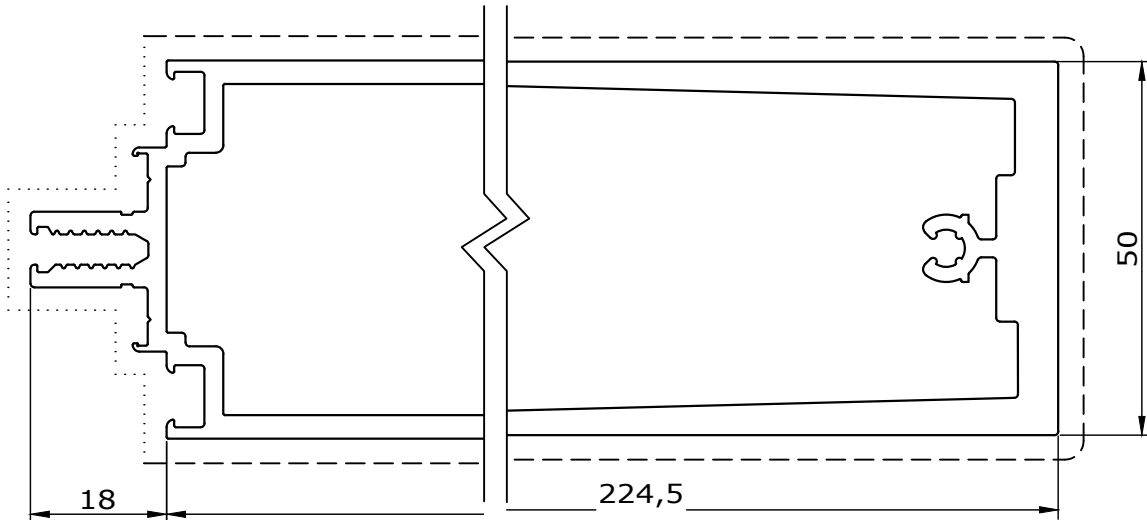
Issue: 05
 Date : 10-16

Copyright and ownership of this drawing is vested in EFT, Euro Facade Systems Ltd, whose prior written consent is required for its use, reproduction or for publication to any third party. All other rights reserved. Subject to modifications.

1 Standard Profiles

Comar 6EFT

1159 - Transom 225mm

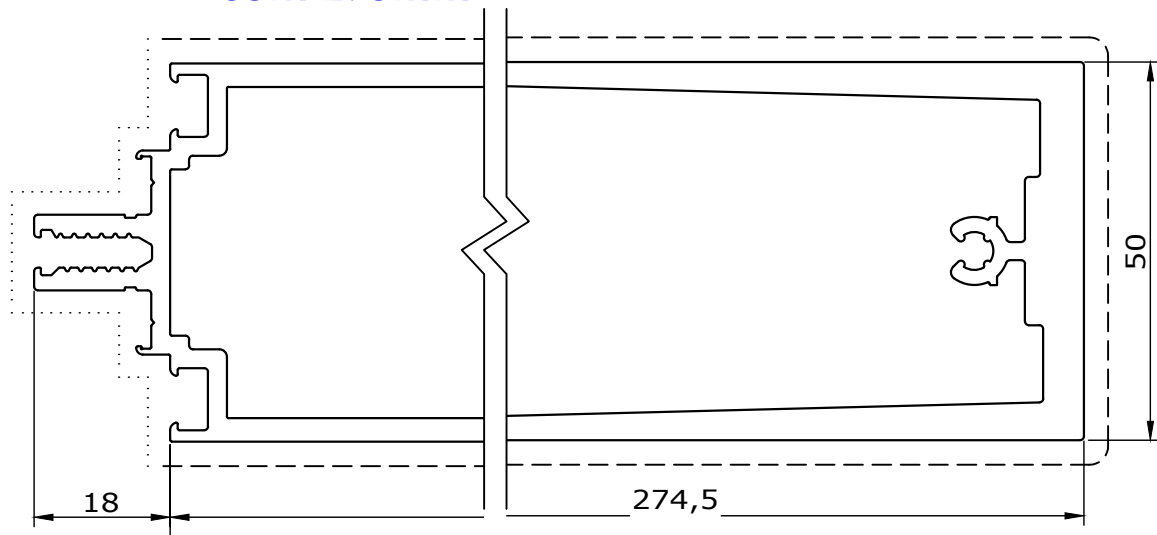


1.70

$I_{xx} = 1350.7 \text{ cm}^4$
 $I_{yy} = 89.1 \text{ cm}^4$
 $Z_{xx} = 95.8 \text{ cm}^3$
 $Z_{yy} = 35.6 \text{ cm}^3$

Perimeter = 656 mm
 Length = 6.10 m
 Visible Surface
 Secondary Surface

1162 - Transom 275mm



$I_{xx} = 2225.7 \text{ cm}^4$
 $I_{yy} = 106.2 \text{ cm}^3$
 $Z_{xx} = 133.4 \text{ cm}^3$
 $Z_{yy} = 42.5 \text{ cm}^3$

Perimeter = 656 mm
 Length = 6.10 m
 Visible Surface
 Secondary Surface

Profiles Identification

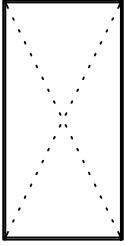
Changes reserved
 Sous reserve de modifications
 Änderungen vorbehalten

Issue: 05
 Date :04-17

Standard Profiles

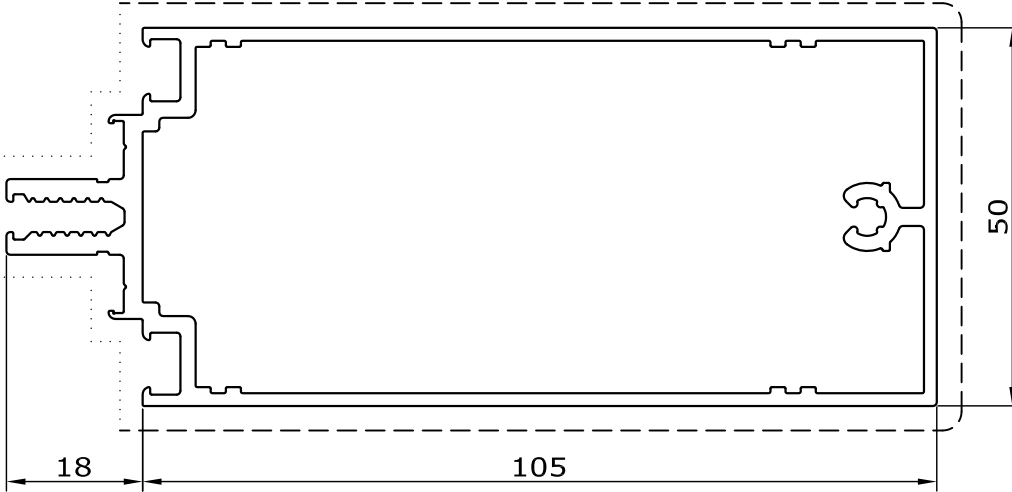
1

Comar 6EFT



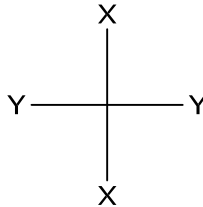
1164 - Transom - 105 mm

1.71



Profiles Identification

$I_{xx} = 130.0 \text{ cm}^4$
 $I_{yy} = 25.5 \text{ cm}^4$
 $Z_{xx} = 21.1 \text{ cm}^3$
 $Z_{yy} = 10.2 \text{ cm}^3$



Perimeter = 419 mm

Length = 6.45 m

Visible Surface _____

Secondary Surface

Copyright and ownership of this drawing is vested in EFT, Euro Facade Systems Ltd, whose prior written consent is required for its use, reproduction or for publication to any third party. All other rights reserved. Subject to modifications.



comar

ARCHITECTURAL ALUMINIUM SYSTEMS

Changes reserved
 Sous reserve de modifications
 Änderungen vorbehalten

Issue: 05
 Date : 04-17

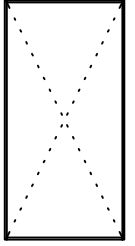
Copyright and ownership of this drawing is vested in EFT,
Euro Facade Systems Ltd, whose prior written consent is required
for its use, reproduction or for publication to any third party.
All other rights reserved. Subject to modifications.

Future Additions

1

Standard Profiles

Comar 6EFT



1.72

FUTURE
ADDITION

Profiles Identification

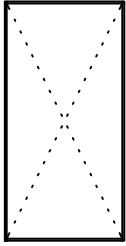
Changes reserved
Sous reserve de modifications
Änderungen vorbehalten

Issue: 05
Date :10-16

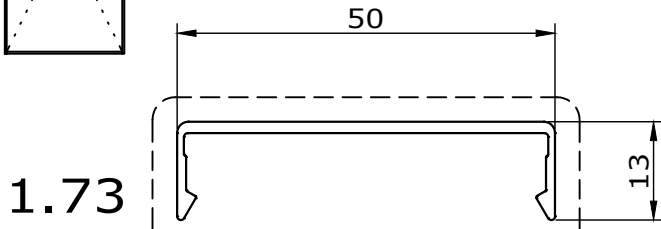
Standard Profiles

1

Comar 6EFT



1201 - Cover cap - 13mm



Perimeter = 149 mm
Length = 6.45 m

Visible Surface -----

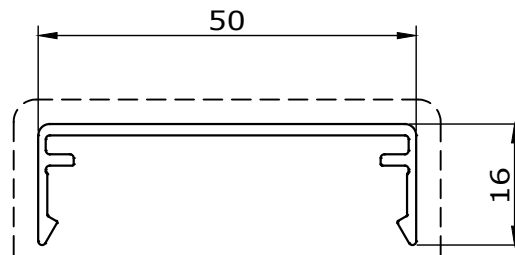
Copyright and ownership of this drawing is vested in EFT, Euro Facade Systems Ltd, whose prior written consent is required for its use, reproduction or for publication to any third party. All other rights reserved. Subject to modifications.

Profiles Identification

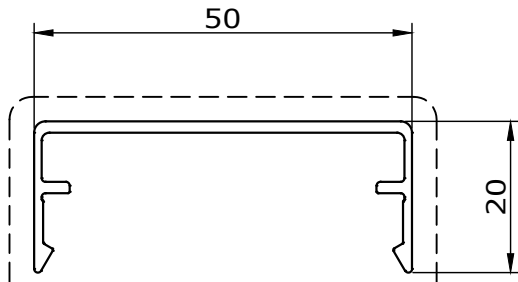
1203 - Cover cap - 16mm

Perimeter = 174 mm
Length = 6.45 m

Visible Surface -----



1204 - Cover cap - 20mm



Perimeter = 190 mm
Length = 6.45 m

Visible Surface -----



comar
ARCHITECTURAL ALUMINIUM SYSTEMS

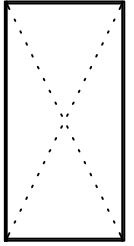
Changes reserved
Sous reserve de modifications
Änderungen vorbehalten

Issue: 05
Date : 10-16

Copyright and ownership of this drawing is vested in EFT,
Euro Facade Systems Ltd, whose prior written consent is required
for its use, reproduction or for publication to any third party.
All other rights reserved. Subject to modifications.

1 Standard Profiles

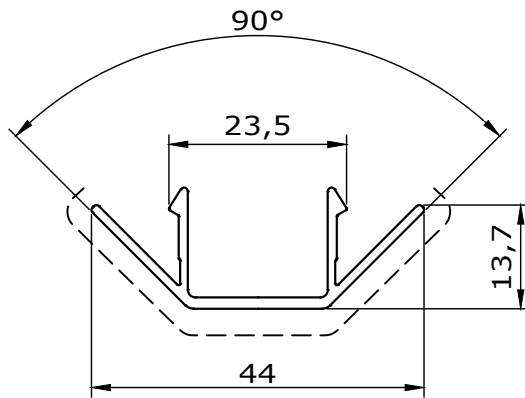
Comar 6EFT



1210 - Cover cap - 45°

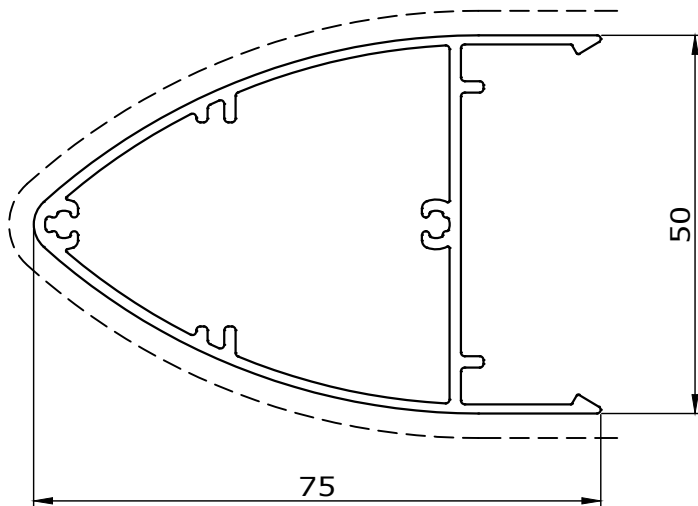
Perimeter = 164 mm
Length = 6.45 m

Visible Surface -----



1.74

1211 - Cover cap bull nose - 75mm



Perimeter = 263 mm
Length = 6.45 m

Visible Surface -----

Profiles Identification

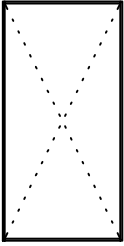
Changes reserved
Sous reserve de modifications
Änderungen vorbehalten

Issue: 05
Date :10-16

Standard Profiles

1

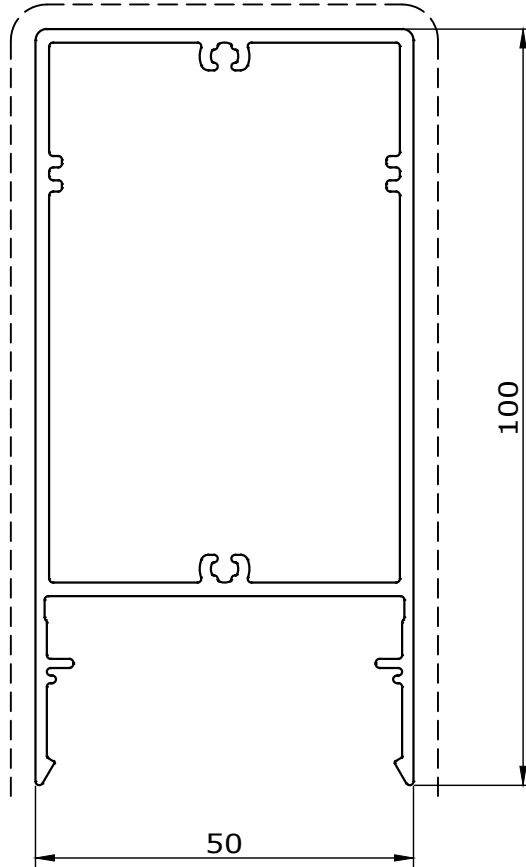
Comar 6EFT



1213 - Cover cap - 100 mm

1.75

Profiles Identification



Perimeter = 365 mm
Length = 6.45 m

Visible Surface - - - - -

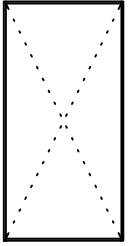
Copyright and ownership of this drawing is vested in EFT,
Euro Facade Systems Ltd, whose prior written consent is required
for its use, reproduction or for publication to any third party.
All other rights reserved. Subject to modifications.

Copyright and ownership of this drawing is vested in EFT,
Euro Facade Systems Ltd, whose prior written consent is required
for its use, reproduction or for publication to any third party.
All other rights reserved. Subject to modifications.

1 Standard Profiles

Comar 6EFT

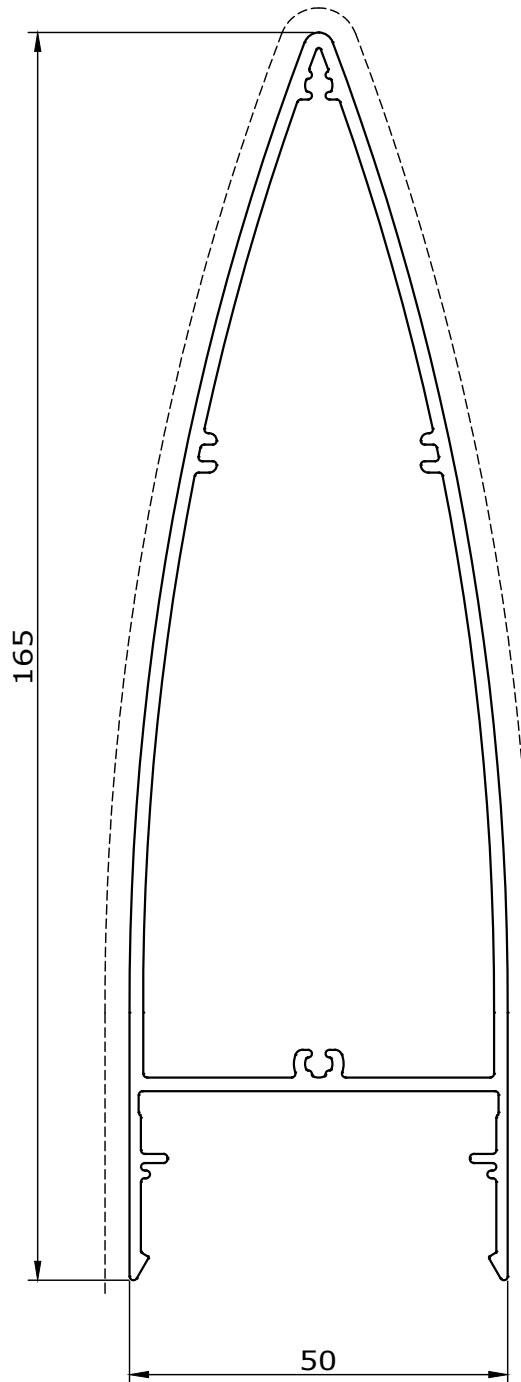
1214 - Cover cap bull nose - 165 mm



1.76

Perimeter = 454 mm
Length = 6.45 m

Visible Surface - - - - -



Profiles Identification

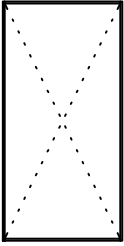
Changes reserved
Sous reserve de modifications
Änderungen vorbehalten

Issue: 05
Date :10-16

Standard Profiles

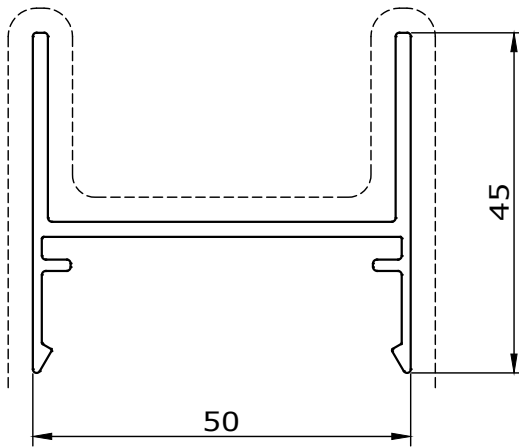
1

Comar 6EFT



1221 - Cover cap - 45 mm

1.77

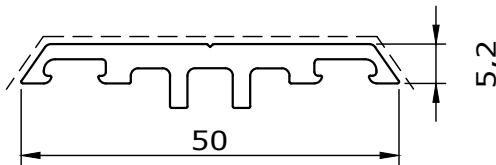


Perimeter = 289 mm

Length = 6.45 m

Visible Surface -----

1259 - Pressure plate for roof



Perimeter = 137 mm

Length = 6.45 m

Visible Surface -----

Profiles Identification



comar

ARCHITECTURAL ALUMINIUM SYSTEMS

Changes reserved
Sous reserve de modifications
Änderungen vorbehalten

Issue: 05
Date : 10-16

Copyright and ownership of this drawing is vested in EFT,
Euro Facade Systems Ltd, whose prior written consent is required
for its use, reproduction or for publication to any third party.
All other rights reserved. Subject to modifications.

Copyright and ownership of this drawing is vested in EFT, Euro Facade Systems Ltd, whose prior written consent is required for its use, reproduction or for publication to any third party. All other rights reserved. Subject to modifications.

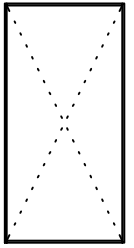
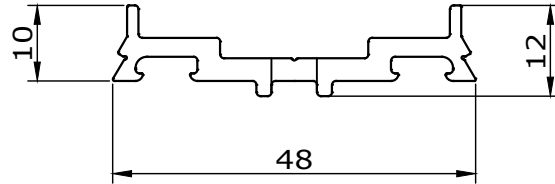
1 Standard Profiles

Comar 6EFT

1251 - Pressure plate - Duo gasket

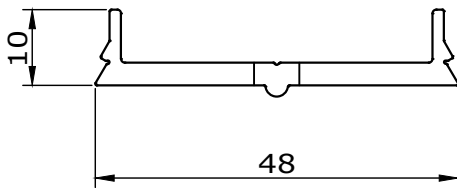
Perimeter = 150 mm
Length = 6.45 m

Visible Surface -----



1.78

1252 - Pressure plate - Standard



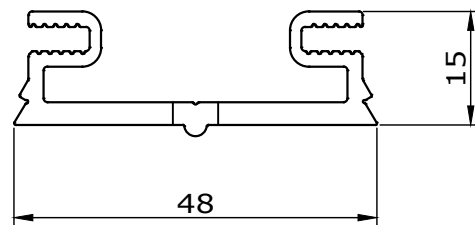
Perimeter = 130 mm
Length = 6.45 m

Visible Surface -----

1253 - Pressure plate - Screw fix

Perimeter = 214 mm
Length = 6.45 m

Visible Surface -----



Profiles Identification

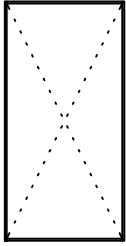
Changes reserved
Sous reserve de modifications
Änderungen vorbehalten

Issue: 05
Date :10-16

Standard Profiles

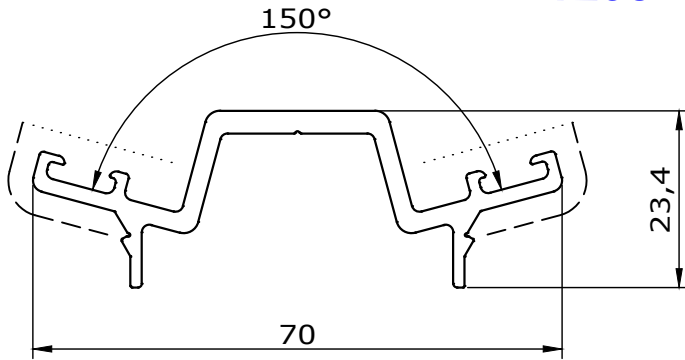
1

Comar 6EFT



1260 - Pressure plate - 15°

1.79



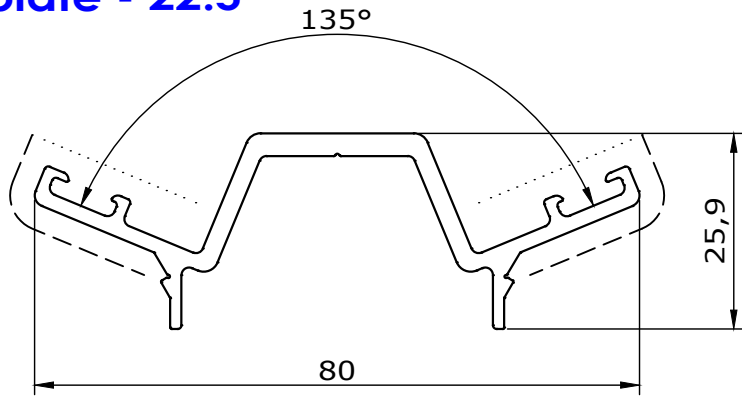
Perimeter = 250 mm
Length = 6.45 m

Visible Surface -----
Secondary Surface

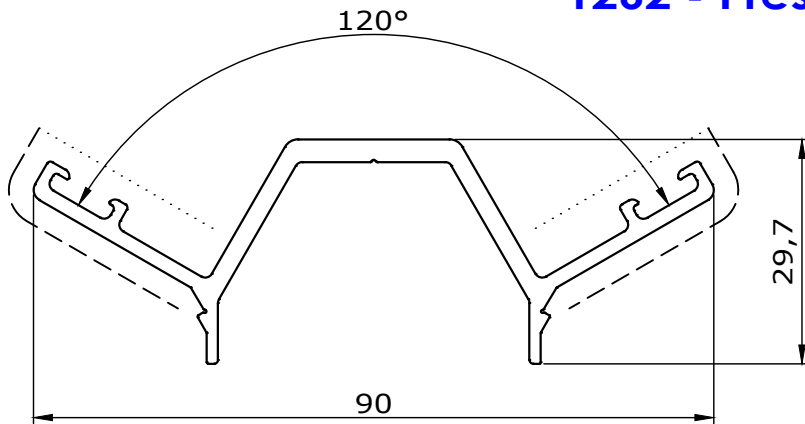
1261 - Pressure plate - 22.5°

Perimeter = 275 mm
Length = 6.45 m

Visible Surface -----
Secondary Surface



1262 - Pressure plate - 30°



Perimeter = 305 mm
Length = 6.45 m

Visible Surface -----
Secondary Surface

Profiles Identification



comar
ARCHITECTURAL ALUMINIUM SYSTEMS

Changes reserved
Sous reserve de modifications
Änderungen vorbehalten

Issue: 05
Date : 10-16

Copyright and ownership of this drawing is vested in EFT, Euro Facade Systems Ltd, whose prior written consent is required for its use, reproduction or for publication to any third party. All other rights reserved. Subject to modifications.

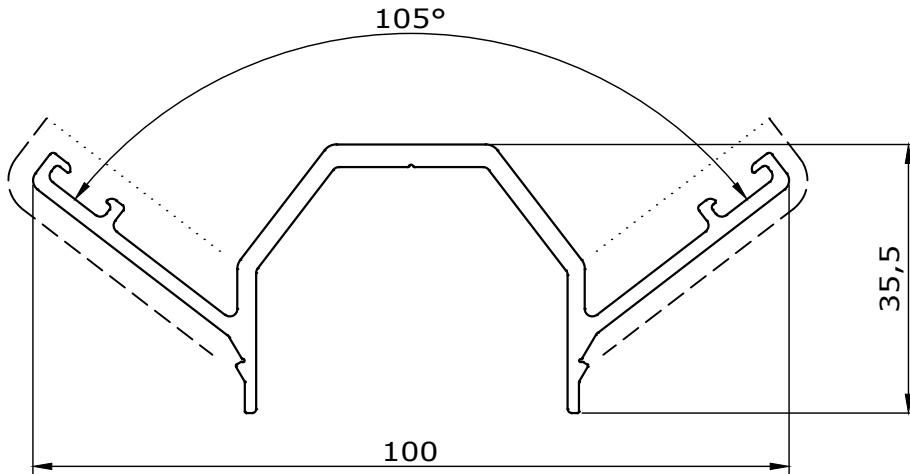
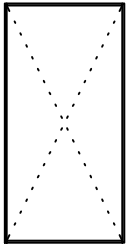
Copyright and ownership of this drawing is vested in EFT, Euro Facade Systems Ltd, whose prior written consent is required for its use, reproduction or for publication to any third party. All other rights reserved.

1

Broadsheets

Comar 6EFT

1263 - Pressure plate - 37.5°



1.80

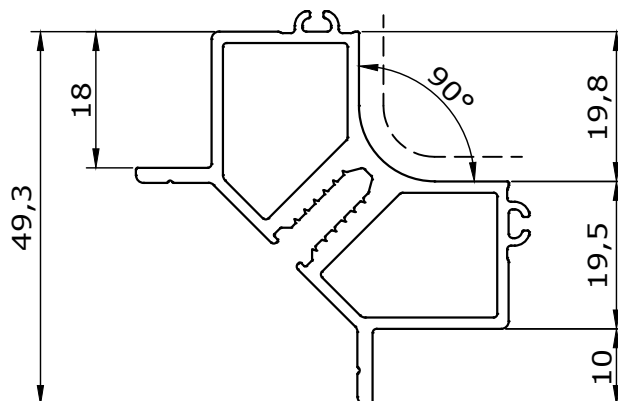
Perimeter = 360 mm
Length = 6.45 m

Visible Surface - - - - -
Secondary Surface ······

1264 - Corner adaptor

Perimeter = 241 mm
Length = 6.45 m

Visible Surface - - - - -



Profiles Identification

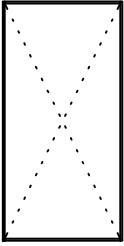
Changes reserved
Sous reserve de modifications
Änderungen vorbehalten

Issue: 05
Date :10-16

Standard Profiles

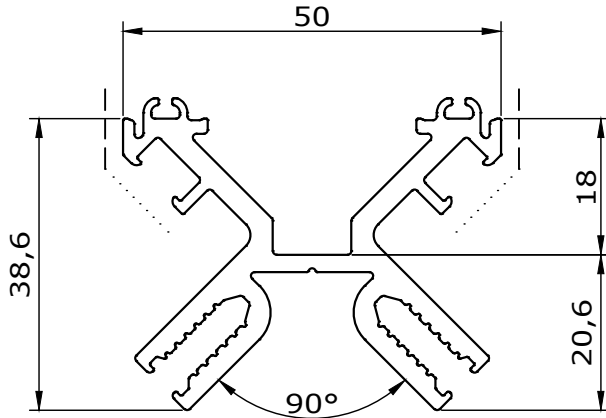
1

Comar 6EFT



1.81

1265 - Corner mullion adaptor - 45°



Perimeter = 399 mm
Length = 6.45 m

Visible Surface -----
Secondary Surface

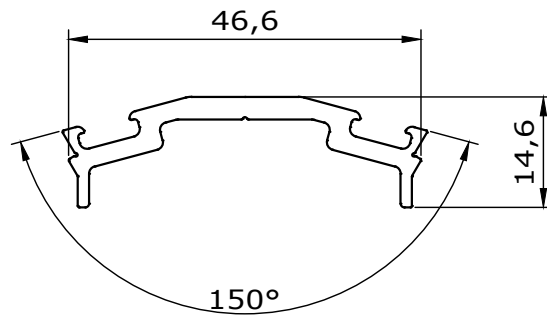
Copyright and ownership of this drawing is vested in EFT, Euro Facade Systems Ltd, whose prior written consent is required for its use, reproduction or for publication to any third party. All other rights reserved. Subject to modifications.

Profiles Identification

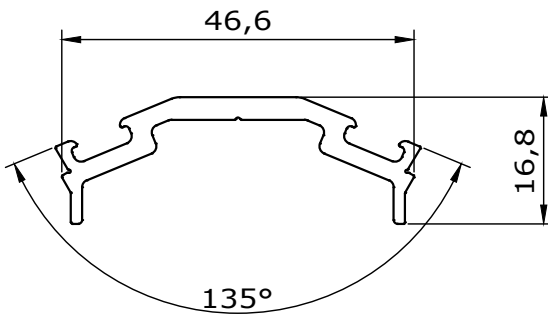
1266 - Pressure plate - 15°

Perimeter = 151 mm
Length = 6.45 m

Visible Surface -----



1267 - Pressure plate - 22.5°



Perimeter = 155 mm
Length = 6.45 m

Visible Surface -----

Copyright and ownership of this drawing is vested in EFT, Euro Facade Systems Ltd, whose prior written consent is required for its use, reproduction or for publication to any third party. All other rights reserved. Subject to modifications.

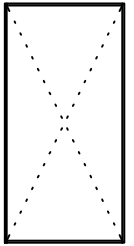
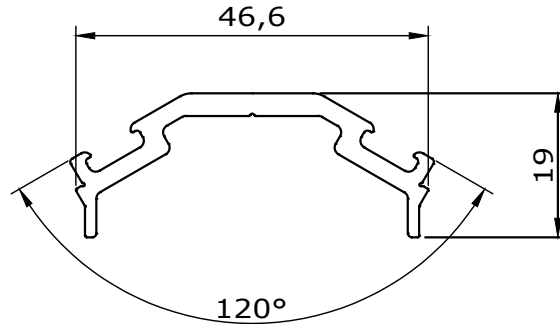
1 Standard Profiles

Comar 6EFT

1268 - Pressure plate - 30°

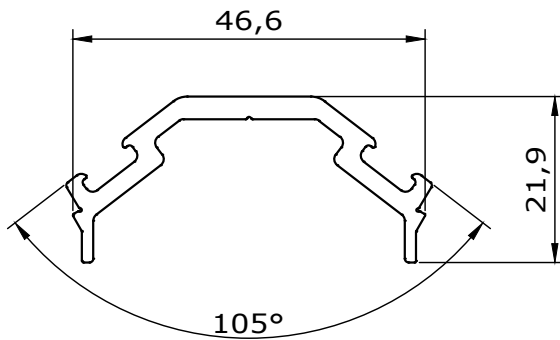
Perimeter = 160 mm
Length = 6.45 m

Visible Surface -----



1.82

1269 - Pressure plate - 37.5°



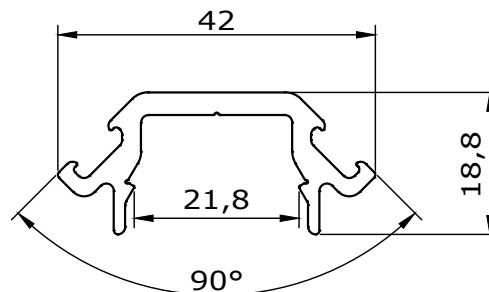
Perimeter = 168 mm
Length = 6.45 m

Visible Surface -----

1270 - Pressure plate - 45°

Perimeter = 154 mm
Length = 6.45 m

Visible Surface -----



Profiles Identification

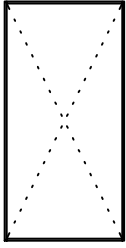
Changes reserved
Sous reserve de modifications
Änderungen vorbehalten

Issue: 05
Date :10-16

Standard Profiles

1

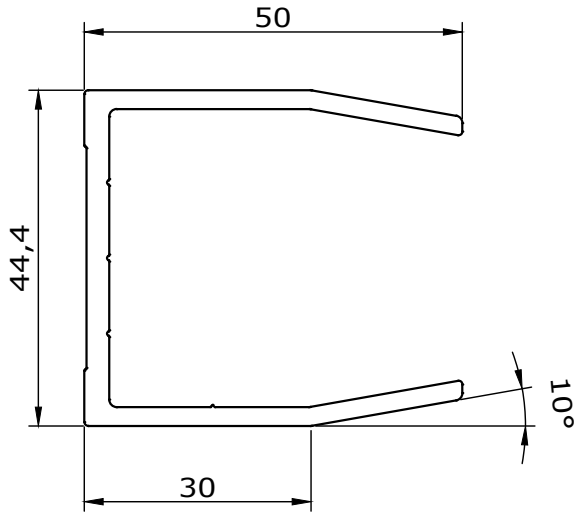
Comar 6EFT



1.83

Profiles Identification

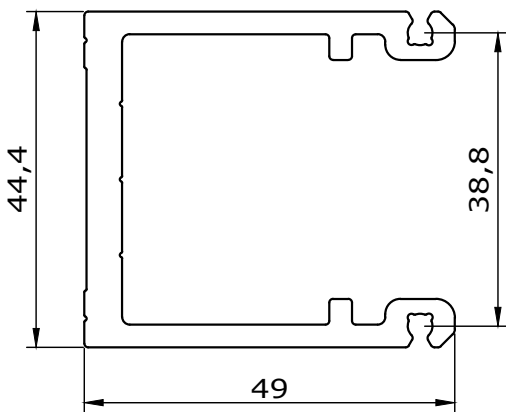
1300 - Transom cleat



Perimeter = 282 mm
Length = 6.45 m

Visible Surface -----

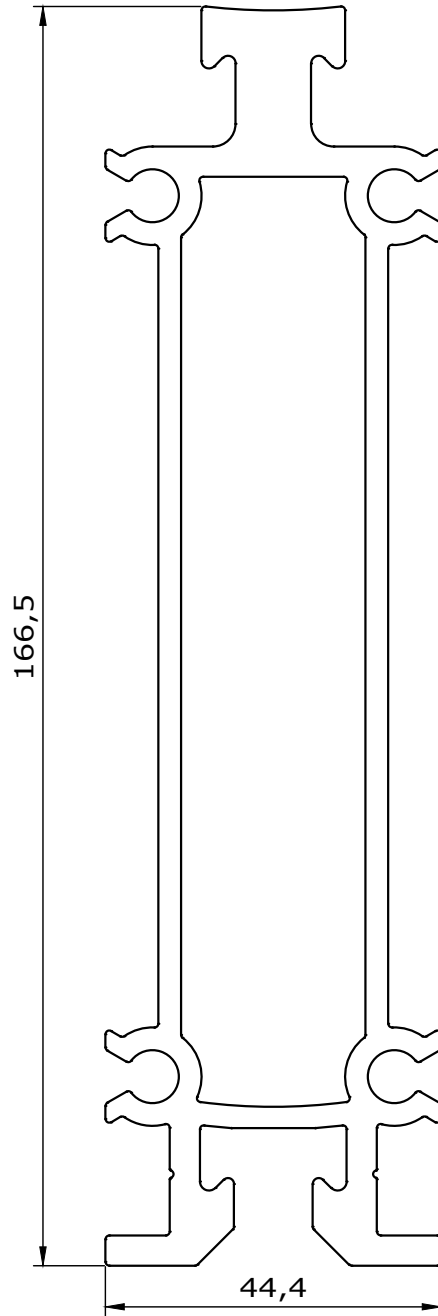
1305 - Transom cleat



Perimeter = 312 mm
Length = 6.45 m

Visible Surface -----

1373 - Mullion's connector



Perimeter = 910 mm
Length = 3.45 m

Visible Surface -----

Copyright and ownership of this drawing is vested in EFT, Euro Facade Systems Ltd, whose prior written consent is required for its use, reproduction or for publication to any third party. All other rights reserved. Subject to modifications.



comar
ARCHITECTURAL ALUMINIUM SYSTEMS

Changes reserved
Sous reserve de modifications
Änderungen vorbehalten

Issue: 05
Date : 10-16

Copyright and ownership of this drawing is vested in EFT, Euro Facade Systems Ltd, whose prior written consent is required for its use, reproduction or for publication to any third party. All other rights reserved. Subject to modifications.

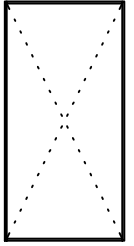
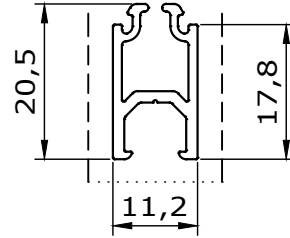
1 Standard Profiles

Comar 6EFT

1328 - Glazing adaptor - 18mm

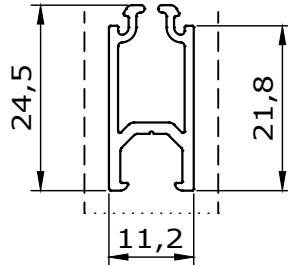
Perimeter = 121 mm
Length = 6.45 m

Visible Surface -----
Secondary Surface



1.84

1329 - Glazing adaptor - 22mm



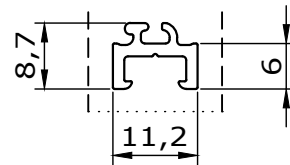
Perimeter = 137 mm
Length = 6.45 m

Visible Surface -----
Secondary Surface

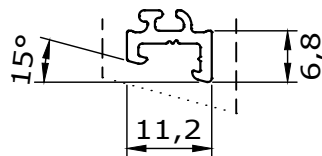
1330 - Glazing adaptor - 18mm

Perimeter = 59 mm
Length = 6.45 m

Visible Surface -----
Secondary Surface



1331 - Glazing adaptor - 15°



Perimeter = 58 mm
Length = 6.45 m

Visible Surface -----
Secondary Surface

Profiles Identification

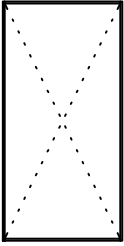
Changes reserved
Sous reserve de modifications
Änderungen vorbehalten

Issue: 05
Date :10-16

Standard Profiles

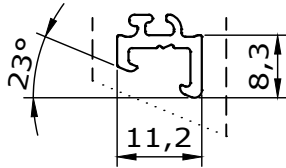
1

Comar 6EFT



1332 - Glazing adaptor - 22.5°

1.85



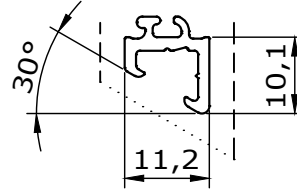
Perimeter = 61 mm
Length = 6.45 m

Visible Surface -----
Secondary Surface

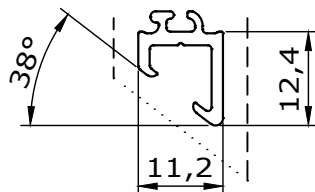
1333 - Glazing adaptor - 30°

Perimeter = 67 mm
Length = 6.45 m

Visible Surface -----
Secondary Surface



1334 - Glazing adaptor - 37.5°



Perimeter = 73 mm
Length = 6.45 m

Visible Surface -----
Secondary Surface

Copyright and ownership of this drawing is vested in EFT, Euro Facade Systems Ltd, whose prior written consent is required for its use, reproduction or for publication to any third party. All other rights reserved. Subject to modifications.

Profiles Identification



comar

ARCHITECTURAL ALUMINIUM SYSTEMS

Changes reserved
Sous reserve de modifications
Änderungen vorbehalten

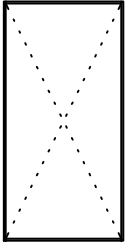
Issue: 05
Date : 10-16

Copyright and ownership of this drawing is vested in EFT, Euro Facade Systems Ltd, whose prior written consent is required for its use, reproduction or for publication to any third party. All other rights reserved. Subject to modifications.

1 Standard Profiles

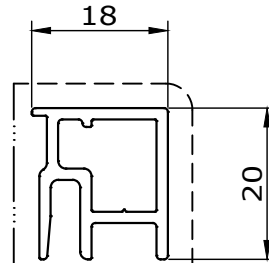
Comar 6EFT

1335 - Spandrel frame - 18 mm



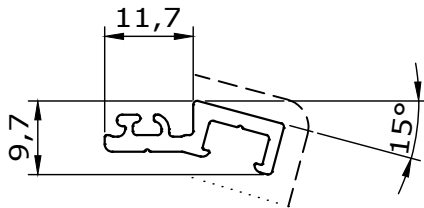
Perimeter = 155 mm
Length = 6.45 m

Visible Surface -----
Bonding Surface



1.86

1336 - Glazing adaptor - 15° (internal corner)



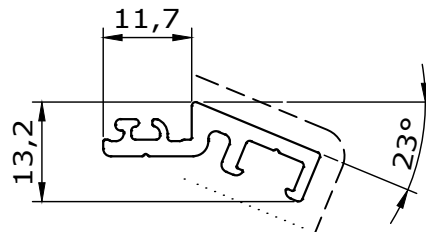
Perimeter = 86 mm
Length = 6.45 m

Visible Surface -----
Secondary Surface

1337 - Glazing adaptor - 22.5° (internal corner)

Perimeter = 104 mm
Length = 6.45 m

Visible Surface -----
Secondary Surface



Profiles Identification

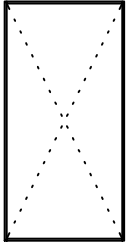
Changes reserved
Sous reserve de modifications
Änderungen vorbehalten

Issue: 05
Date :10-16

Standard Profiles

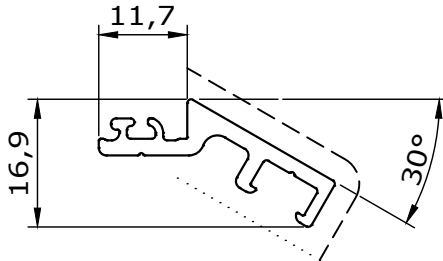
1

Comar 6EFT



1.87

1338 - Glazing adaptor - 30° (internal corner)



Perimeter = 112 mm
Length = 6.45 m

Visible Surface - - - - -
Secondary Surface ······

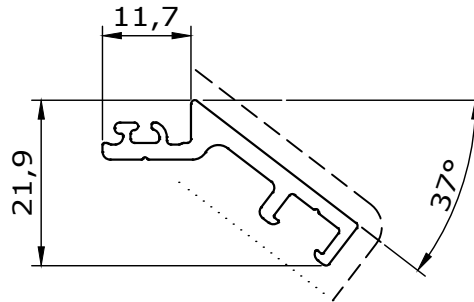
Copyright and ownership of this drawing is vested in EFT,
Euro Facade Systems Ltd, whose prior written consent is required
for its use, reproduction or for publication to any third party.
All other rights reserved. Subject to modifications.

Profiles Identification

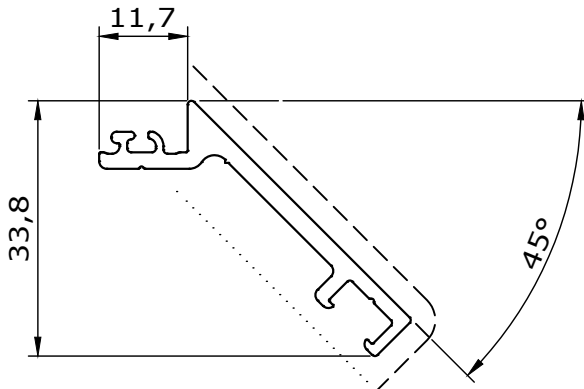
1339 - Glazing adaptor - 37.5° (internal corner)

Perimeter = 121 mm
Length = 6.45 m

Visible Surface - - - - -
Secondary Surface ······



1344 - Glazing adaptor - 45° (internal corner)



Perimeter = 149 mm
Length = 6.45 m

Visible Surface - - - - -
Secondary Surface ······

Copyright and ownership of this drawing is vested in EFT, Euro Facade Systems Ltd, whose prior written consent is required for its use, reproduction or for publication to any third party. All other rights reserved. Subject to modifications.

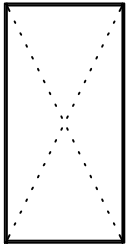
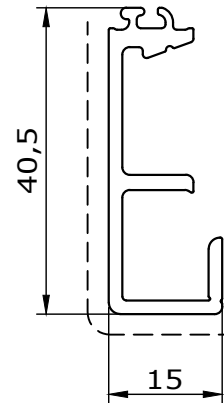
1 Standard Profiles

Comar 6EFT

1345 - 42mm glazing pocket closer

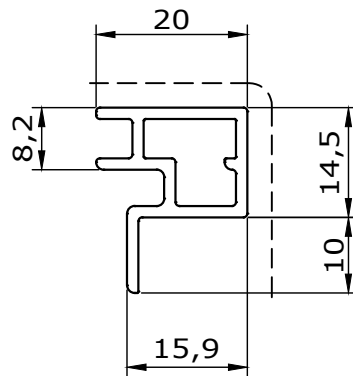
Perimeter = 104 mm
Length = 6.45 m

Visible Surface -----



1.88

1346 - Composite panel frame



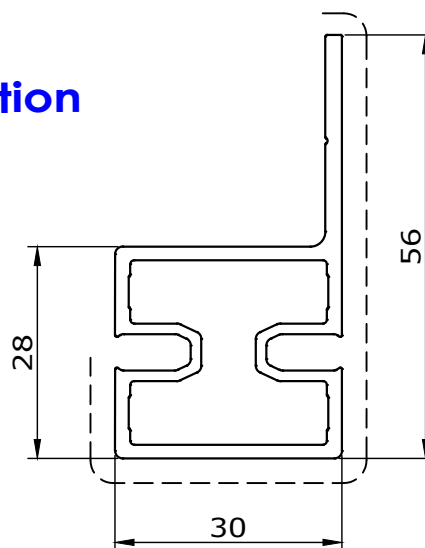
Perimeter = 104 mm
Length = 6.45 m

Visible Surface -----

1348 - Wall connection

Perimeter = 208 mm
Length = 6.45 m

Visible Surface -----



Profiles Identification

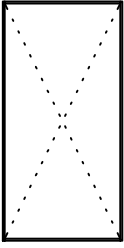
Changes reserved
Sous reserve de modifications
Änderungen vorbehalten

Issue: 05
Date :10-16

Standard Profiles

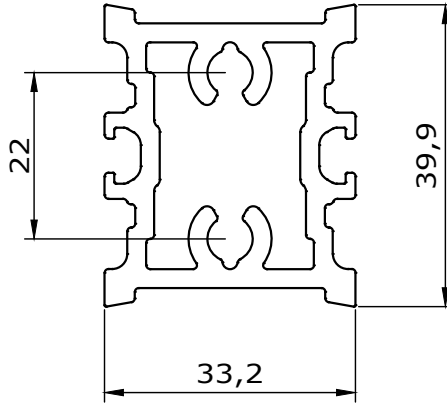
1

Comar 6EFT

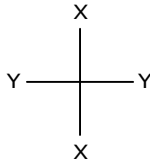


1.89

1366 - Mullion sleeve - 40.3mm



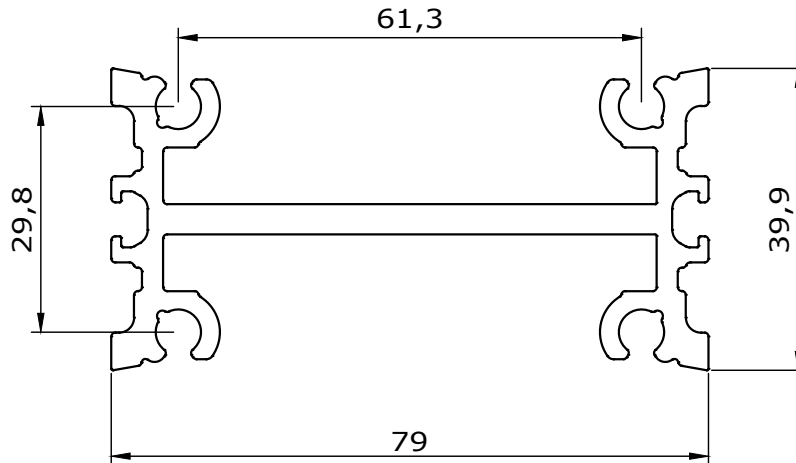
$I_{xx} = 5.6 \text{ cm}^4$
 $I_{yy} = 8.2 \text{ cm}^4$
 $Z_{xx} = 3.3 \text{ cm}^3$
 $Z_{yy} = 4.1 \text{ cm}^3$



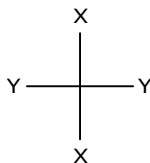
Perimeter = 200 mm
 Length = 6.45 m

Visible Surface - - - - -

1368 - Mullion sleeve - 85.3mm



$I_{xx} = 61.7 \text{ cm}^4$
 $I_{yy} = 7.3 \text{ cm}^4$
 $Z_{xx} = 15.6 \text{ cm}^3$
 $Z_{yy} = 3.7 \text{ cm}^3$



Perimeter = 458 mm
 Length = 6.45 m

Visible Surface - - - - -

Profiles Identification

Copyright and ownership of this drawing is vested in EFT, Euro Facade Systems Ltd, whose prior written consent is required for its use, reproduction or for publication to any third party. All other rights reserved. Subject to modifications.



comar
ARCHITECTURAL ALUMINIUM SYSTEMS

Changes reserved
Sous reserve de modifications
Änderungen vorbehalten

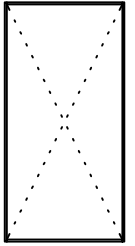
Issue: 05
Date : 10-16

Copyright and ownership of this drawing is vested in EFT,
Euro Facade Systems Ltd, whose prior written consent is required
for its use, reproduction or for publication to any third party.
All other rights reserved.

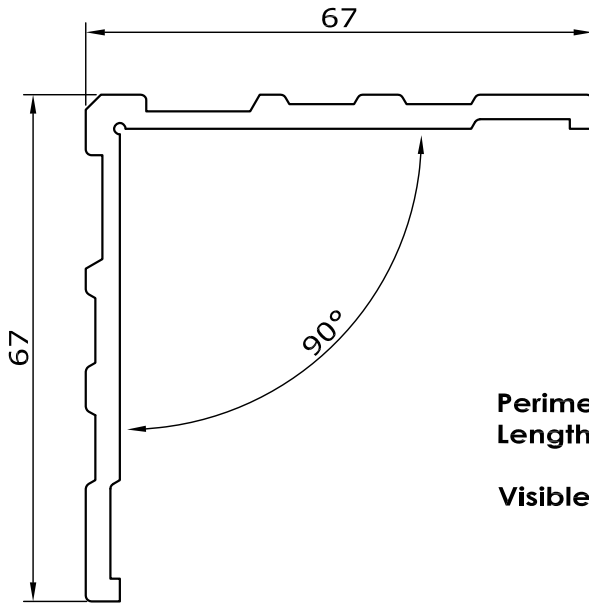
1

Standard Profiles

Comar 6EFT



1431 - Corner cleat - 4.5 mm

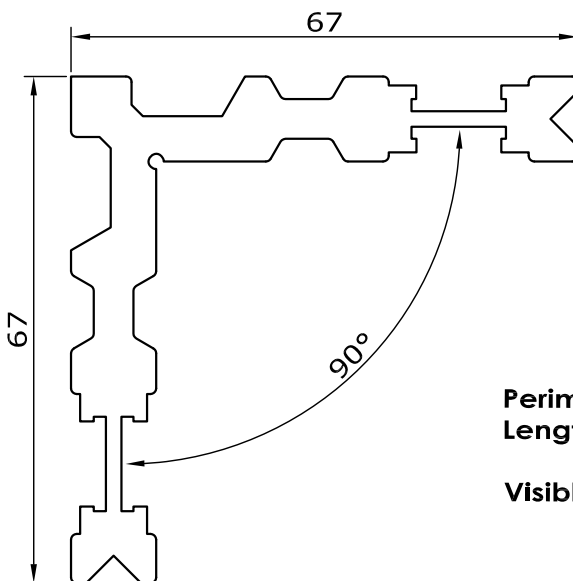


Perimeter = xxx mm
Length = 6.45 m

Visible Surface -----

1.90

CS246 - Corner cleat - 11.8 mm



Perimeter = xxx mm
Length = 6.45 m

Visible Surface -----

Profiles Identification

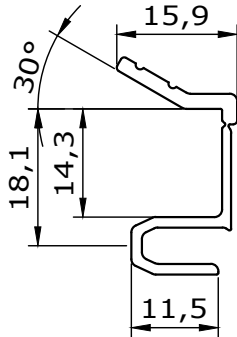
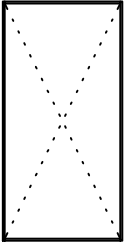
Changes reserved
Sous reserve de modifications
Änderungen vorbehalten

Issue: 05
Date :01-18

Standard Profiles

1

Comar 6EFT



1387 - Double glazed spacer bar insert (14mm)

Perimeter = 155 mm
Length = 6.45 m

Visible Surface -----

1.91

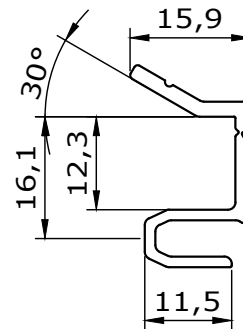
Copyright and ownership of this drawing is vested in EFT, Euro Facade Systems Ltd, whose prior written consent is required for its use, reproduction or for publication to any third party. All other rights reserved. Subject to modifications.

Profiles Identification

1388 - Double glazed spacer bar insert (12mm)

Perimeter = 167 mm
Length = 6.45 m

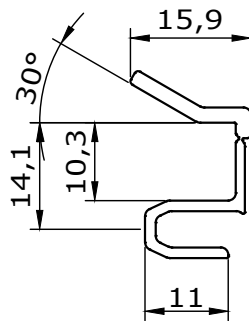
Visible Surface -----



1389 - Double glazed spacer bar insert (10mm)

Perimeter = 112 mm
Length = 6.45 m

Visible Surface -----



comar
ARCHITECTURAL ALUMINIUM SYSTEMS

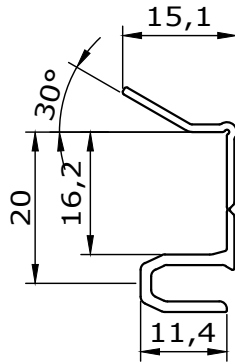
Changes reserved
Sous reserve de modifications
Änderungen vorbehalten

Issue: 05
Date : 10-16

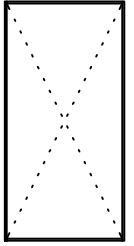
Copyright and ownership of this drawing is vested in EFT, Euro Facade Systems Ltd, whose prior written consent is required for its use, reproduction or for publication to any third party. All other rights reserved. Subject to modifications.

1 Standard Profiles

Comar 6EFT



1316 - Double glazed spacer bar insert (16mm)



Perimeter = 121 mm
Length = 6.45 m

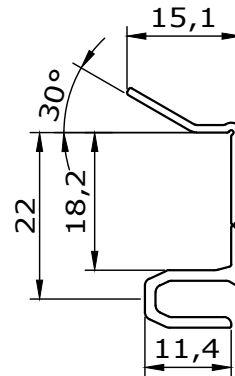
Visible Surface -----

1.92

1318 - Double glazed spacer bar insert (18mm)

Perimeter = 125 mm
Length = 6.45 m

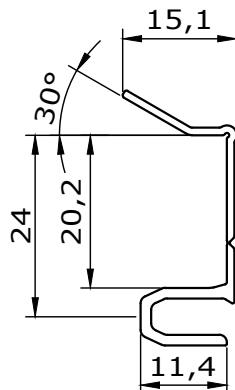
Visible Surface -----



1390 - Double glazed spacer bar insert (20mm)

Perimeter = 129 mm
Length = 6.45 m

Visible Surface -----



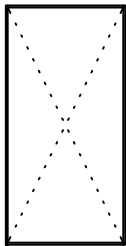
Profiles Identification

Changes reserved
Sous reserve de modifications
Änderungen vorbehalten

Issue: 05
Date :10-16

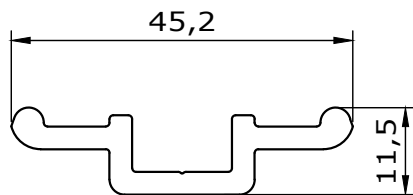
Standard Profiles **1**

Comar 6EFT



1425 - Direct fix to steel fixing lug

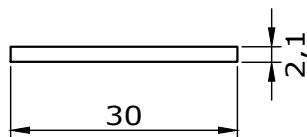
1.93



Perimeter = 125 mm
Length = 6.45 m

Visible Surface - - - - -

1230 - Flat bar - 30mm x 2mm



Perimeter = 64 mm
Length = 6.45 m

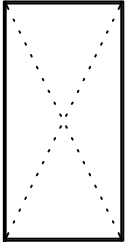
Visible Surface - - - - -

Copyright and ownership of this drawing is vested in EFT, Euro Facade Systems Ltd, whose prior written consent is required for its use, reproduction or for publication to any third party. All other rights reserved. Subject to modifications.

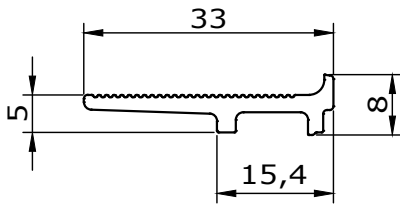
Copyright and ownership of this drawing is vested in EFT, Euro Facade Systems Ltd, whose prior written consent is required for its use, reproduction or for publication to any third party. All other rights reserved. Subject to modifications.

1 Standard Profiles

Comar 6EFT



1403 - Glass setting block - 5mm x 33mm

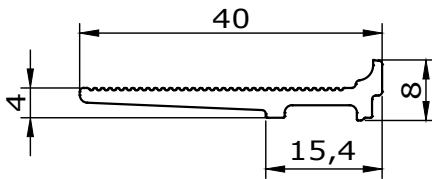


Perimeter = 89.3 mm
Length = 6.45 m

1.94

Visible Surface -----

1415 - Glass setting block - 4mm x 40 mm



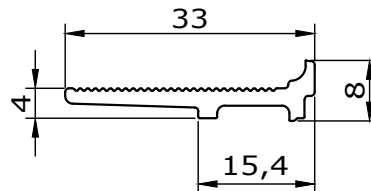
Perimeter = 104 mm
Length = 6.45 m

Visible Surface -----

1412 - Glass setting block - 4mm x 33mm

Perimeter = 87 mm
Length = 6.45 m

Visible Surface -----



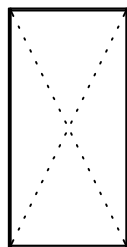
Profiles Identification

Changes reserved
Sous reserve de modifications
Änderungen vorbehalten

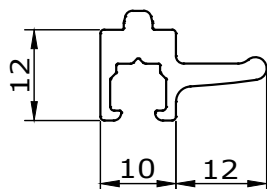
Issue: 05
Date :10-16

Standard Profiles **1**

Comar 6EFT



1391 - Double glass clamp



Perimeter = 87 mm
Length = 6.45 m

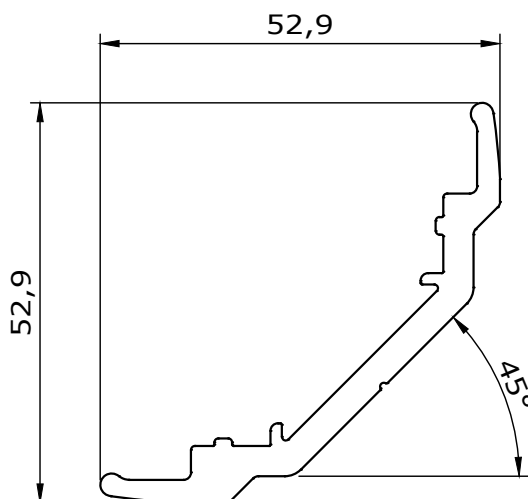
Visible Surface -----

1.95

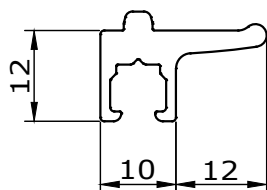
**1392 - 2sided SGH/4sided SG
Corner double glazed clamp**

Perimeter = 189 mm
Length = 6.45 m

Visible Surface -----



1393 - Panel clamp



Perimeter = 88 mm
Length = 6.45 m

Visible Surface -----

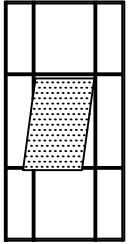
Copyright and ownership of this drawing is vested in EFT,
Euro Facade Systems Ltd, whose prior written consent is required
for its use, reproduction or for publication to any third party.
All other rights reserved. Subject to modifications.

Copyright and ownership of this drawing is vested in EFT,
Euro Facade Systems Ltd, whose prior written consent is required
for its use, reproduction or for publication to any third party.
All other rights reserved. Subject to modifications.

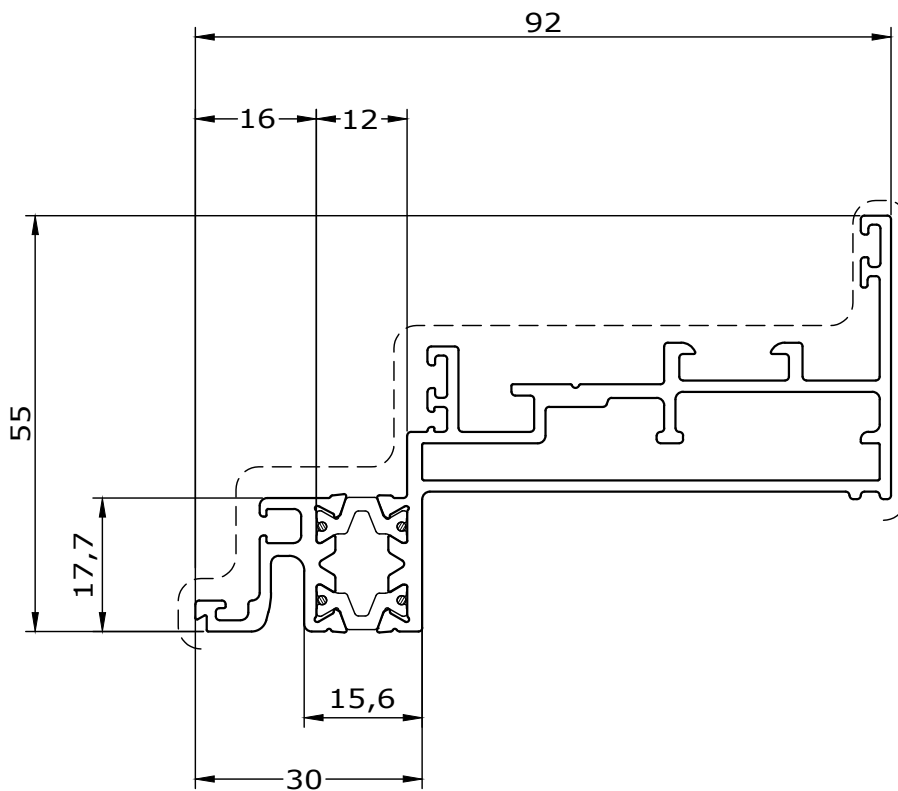
1 Standard Profiles

Comar 6EFT

4003 - Concealed vent outer frame



1.96



Perimeter = 419.5 mm
Length = 6.45 m

Visible Surface -----

Profiles Identification

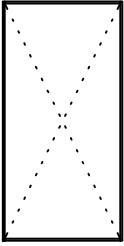
Changes reserved
Sous reserve de modifications
Änderungen vorbehalten

Issue: 05
Date :10-16

Standard Profiles

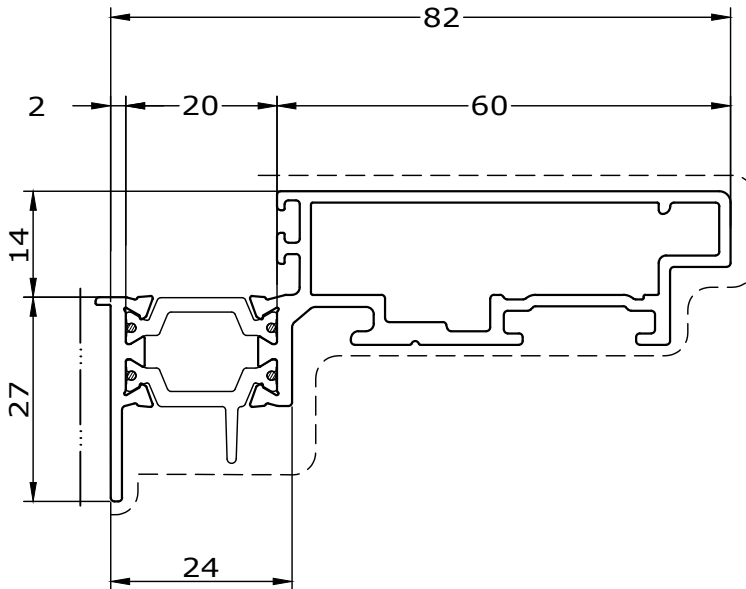
1

Comar 6EFT



4011 - Concealed vent inner frame

1.97



Perimeter = 320 mm
Length = 6.45 m

Visible Surface - - - - -
Bonding Surface — · — · —

Profiles Identification

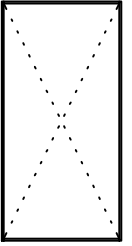
Copyright and ownership of this drawing is vested in EFT,
Euro Facade Systems Ltd, whose prior written consent is required
for its use, reproduction or for publication to any third party.
All other rights reserved. Subject to modifications.

Future Additions

1

Standard Profiles

Comar 6EFT



1.98

FUTURE
ADDITION

Fabricators Guide

Changes reserved
Sous reserve de modifications
Änderungen vorbehalten

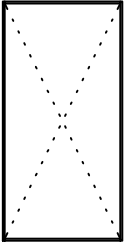
Issue: 05
Date : 10-16

Standard Profiles

1

Comar 6EFT

Future Additions



1.99

Profiles Identification

FUTURE
ADDITION

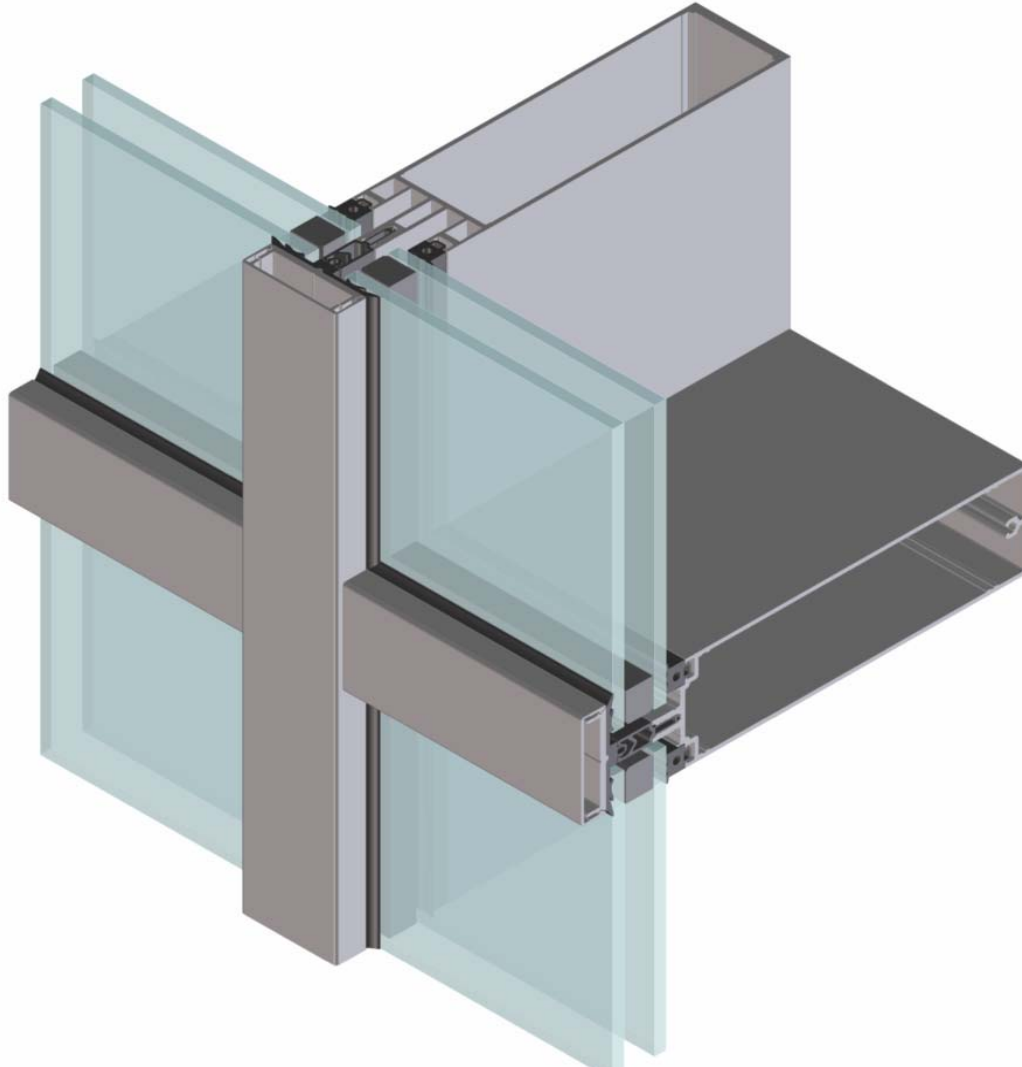
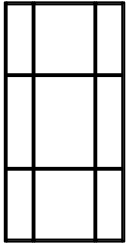
Copyright and ownership of this drawing is vested in EFT,
Euro Facade Systems Ltd, whose prior written consent is required
for its use, reproduction or for publication to any third party.
All other rights reserved. Subject to modifications.

Copyright and ownership of this drawing is vested in EFT, Euro Facade Systems Ltd, whose prior written consent is required for its use, reproduction or for publication to any third party. All other rights reserved. Subject to modifications.

2 Typical details

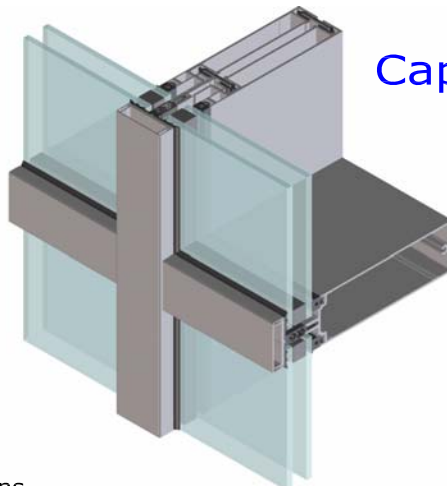
Comar 6EFT

Capped



Fabricators Guide

Capped Split Mullion



Changes reserved
Sous reserve de modifications
Änderungen vorbehalten

Issue: 05
Date : 10 -16

Introduction

Comar 6EFT Curtain Wall

Comar 6EFT Capped Curtain Wall System enables the construction of attractive curtain walling, with the benefits of slim sightlines.

This thermally insulated system consists of standard 50mm profiles, bespoke profiles are available upon request.

Specification Summary

Comar 6EFT Curtain Walling is a mullion drained, thermally broken curtain wall system, which consists of 50mm mullions and transoms suitable for facades.

Various cover caps are available for this system. The smallest sightline can be achieved using a 50 mm wide double chamfered cap to provide a visible front face of 16mm.

Cover caps should have a typical edge radius of 1.5mm for an even distribution of the powder coated layer.

Glazing

The system is externally glazed. Glazing should conform to the requirements of BS 6262 for thickness, type, wind resistance, safety and security.

Drainage

The system is mullion drained, achieved by meeting the requirements of "ventilated and drained glazing system" as specified in BS 6262.

Thermal Insulation

Class 2.1 in accordance with DIN 4108 (2.0-2.8 W/m²K) or EN ISO 10077 - 1

The thermal transmittance (U_f) W/m²K, is depending on the insulator strip, calculated as per EN ISO 10077 - 1.

Comparable with class 2.1 DIN 4108 - 4 Table 3

Sound Insulation

Dependant on the glass specification, generally the curtain wall framing reduces the figure by 2dB (A).

Materials

The system is constructed from extruded aluminium profiles, using alloy 6063 complying to the requirements of BS 1474.

The thermal barrier system is achieved by means of PVC/PP extrusion.

Construction

Any instructions regarding the manufacture and installation of the system must be strictly adhered to.

Weathering

Glazing vision strips are made of EPDM conforming to BS 4255 Part 1

Performance / exposure category

The system will achieve the following criteria when manufactured, installed and glazed to EFT recommended procedures, in accordance with CWCT approved testing methods.

Classification

Air permeability:	BS EN 12152 - Class AE 750
Water tightness:	BS EN 12154 - Class RE 750
Wind resistance:	BS EN 13116 - 2400 Pa design - 3600 Pa safety

2400Pa (Pascal's) is dependant upon correct mullion and transom selection to suit span and spacing by project.

Size limitations

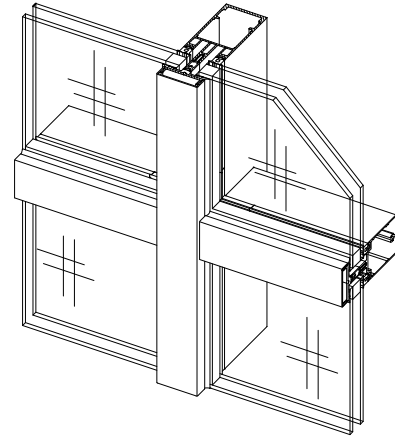
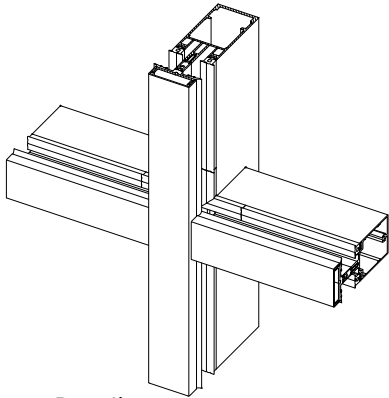
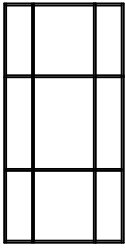
The size limitations of the system depends mainly on the mullion/transom members used to suit the span, spacing and wind/dead loads, which are specific for each individual project.

Please refer to Comar's Technical Office for advise.



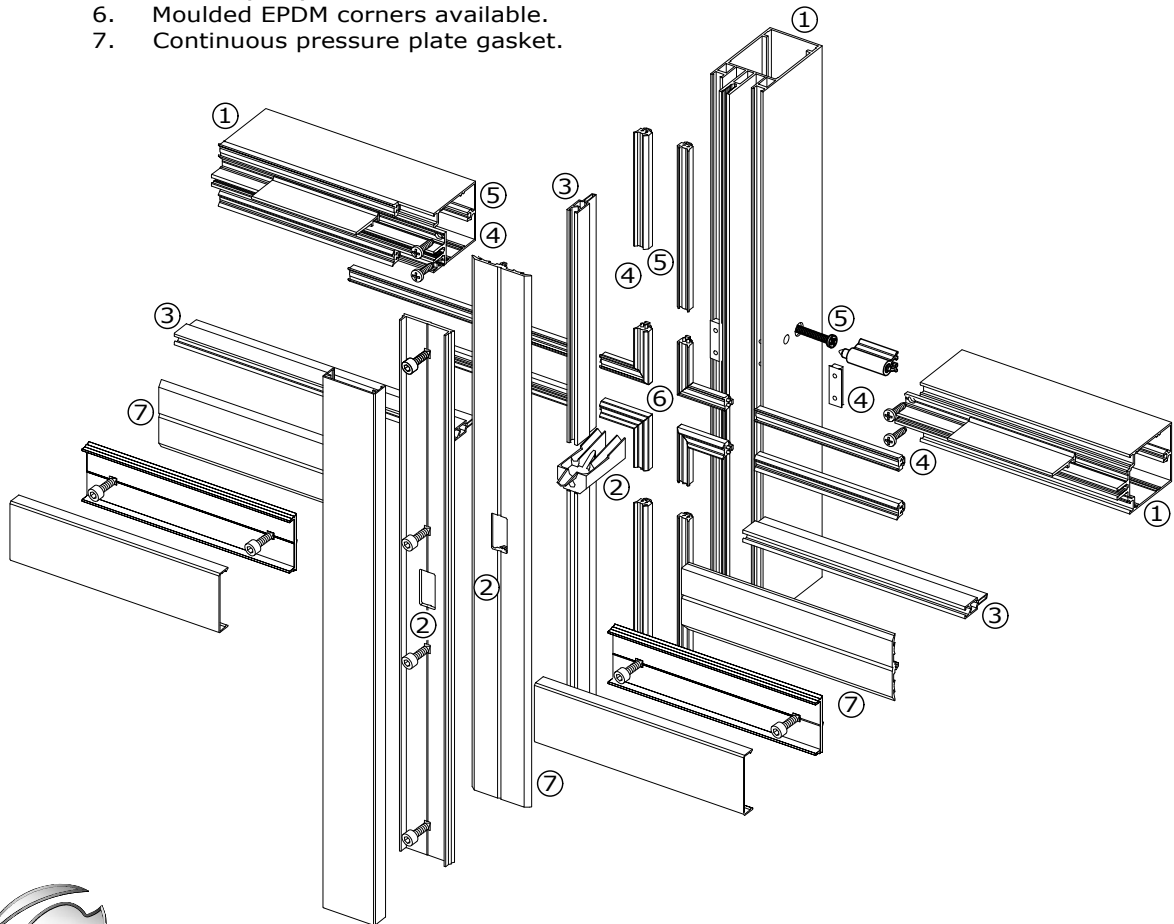
Comar 6EFT

Exploded Typical Detail Fully Capped



Details:

1. One substructure for all curtain wall types (Fully Capped / 2sided SGH / 2sided SGV / 4sided SG).
2. Controlled drainage system (mullion drained) drainage diverter/cover.
3. Thermally broken.
4. Mullion-Transom step-cut & sealed by EPDM moulding.
5. Ladder (unit) construction or stick build.
6. Moulded EPDM corners available.
7. Continuous pressure plate gasket.



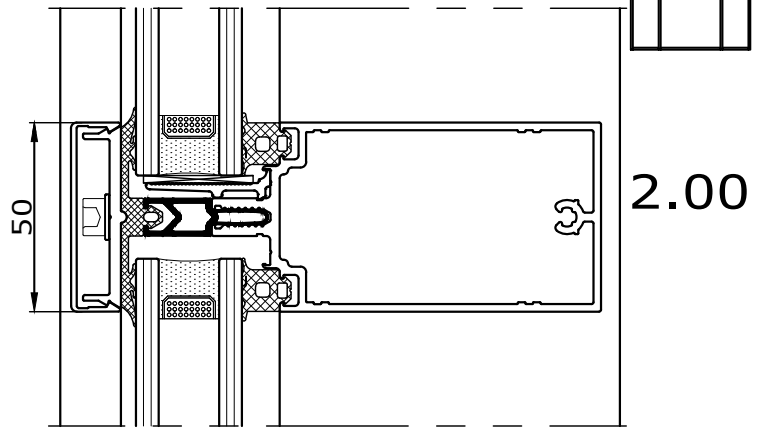
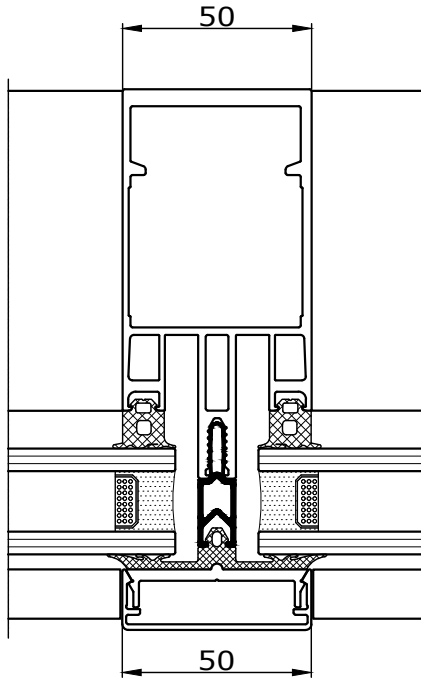
Copyright and ownership of this drawing is vested in EFT, Euro Facade Systems Ltd, whose prior written consent is required for its use, reproduction or for publication to any third party. All other rights reserved.

2

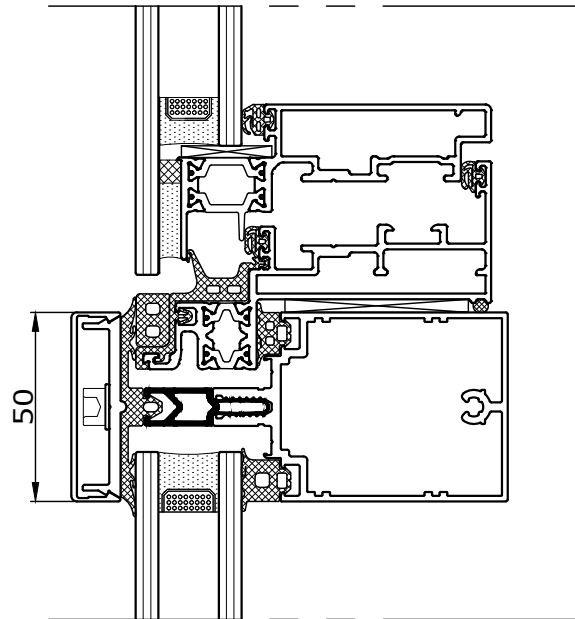
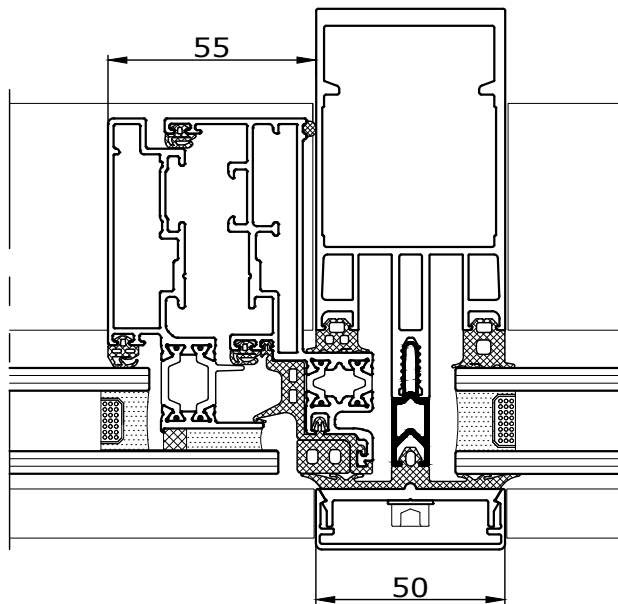
Typical details

Capped Curtain Walling

Comar 6EFT



Including Comar 6EFT Concealed Vent



For concealed vent details, refer to section 8

Fabricators Guide

Changes reserved
 Sous reserve de modifications
 Änderungen vorbehalten

Issue: 05
 Date : 03-17

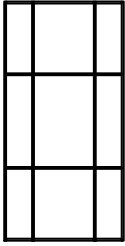


Typical details

2

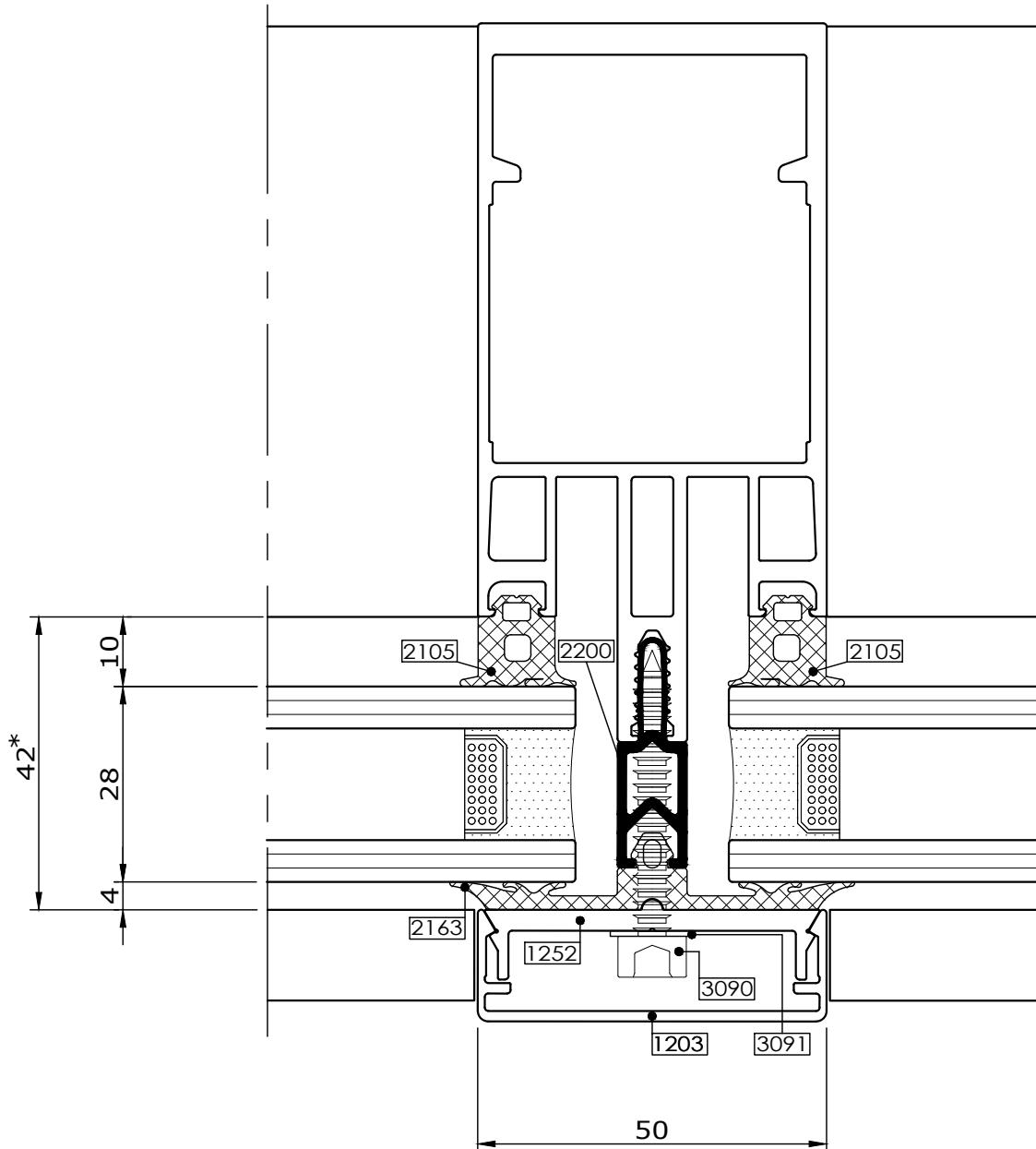
Comar 6EFT

Mullion detail
Double glazed



2.01

Fabricators Guide



Copyright and ownership of this drawing is vested in EFT, Euro Facade Systems Ltd, whose prior written consent is required for its use, reproduction or for publication to any third party. All other rights reserved. Subject to modifications.

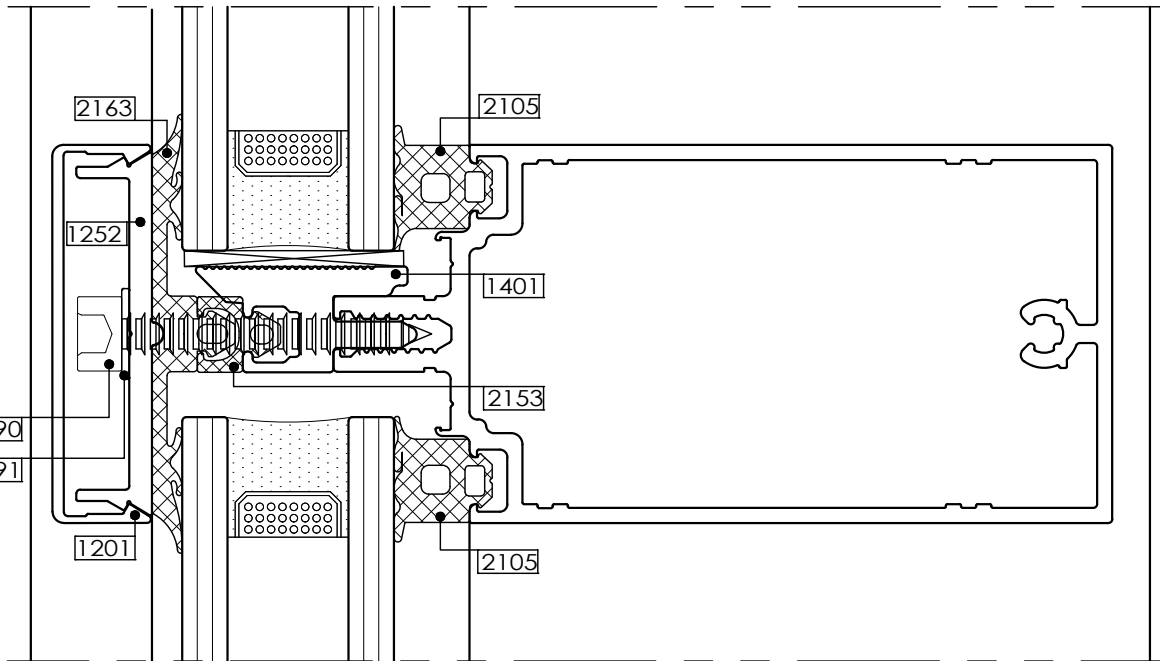
* Refer to Glazing Chart for glazing options

Changes reserved
Sous reserve de modifications
Änderungen vorbehalten

Issue: 05
Date : 03 -17

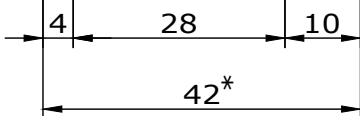
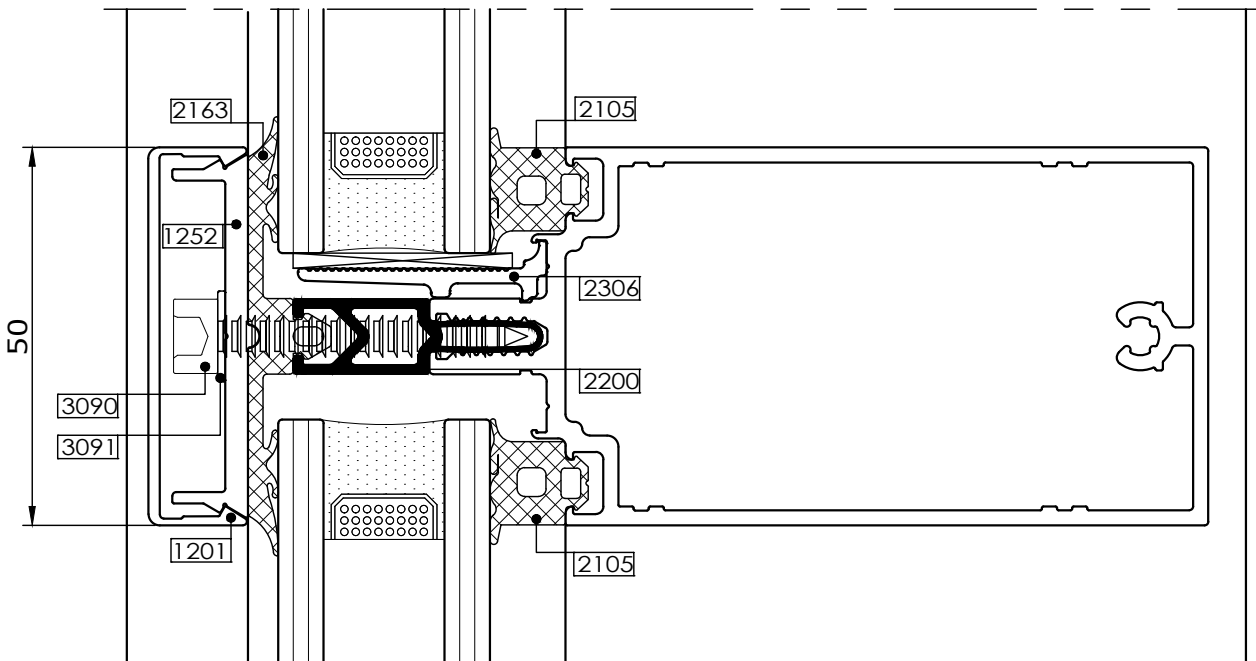
Transom detail
Double glazed

Copyright and ownership of this drawing is vested in EFT, Euro Facade Systems Ltd, whose prior written consent is required for its use, reproduction or for publication to any third party. All other rights reserved. Subject to modifications.



2.02

Fabricators Guide



* Refer to Glazing Chart for glazing options

Changes reserved
Sous reserve de modifications
Änderungen vorbehalten

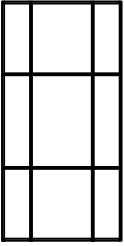
Issue: 05
Date : 10 -16

Typical details

2

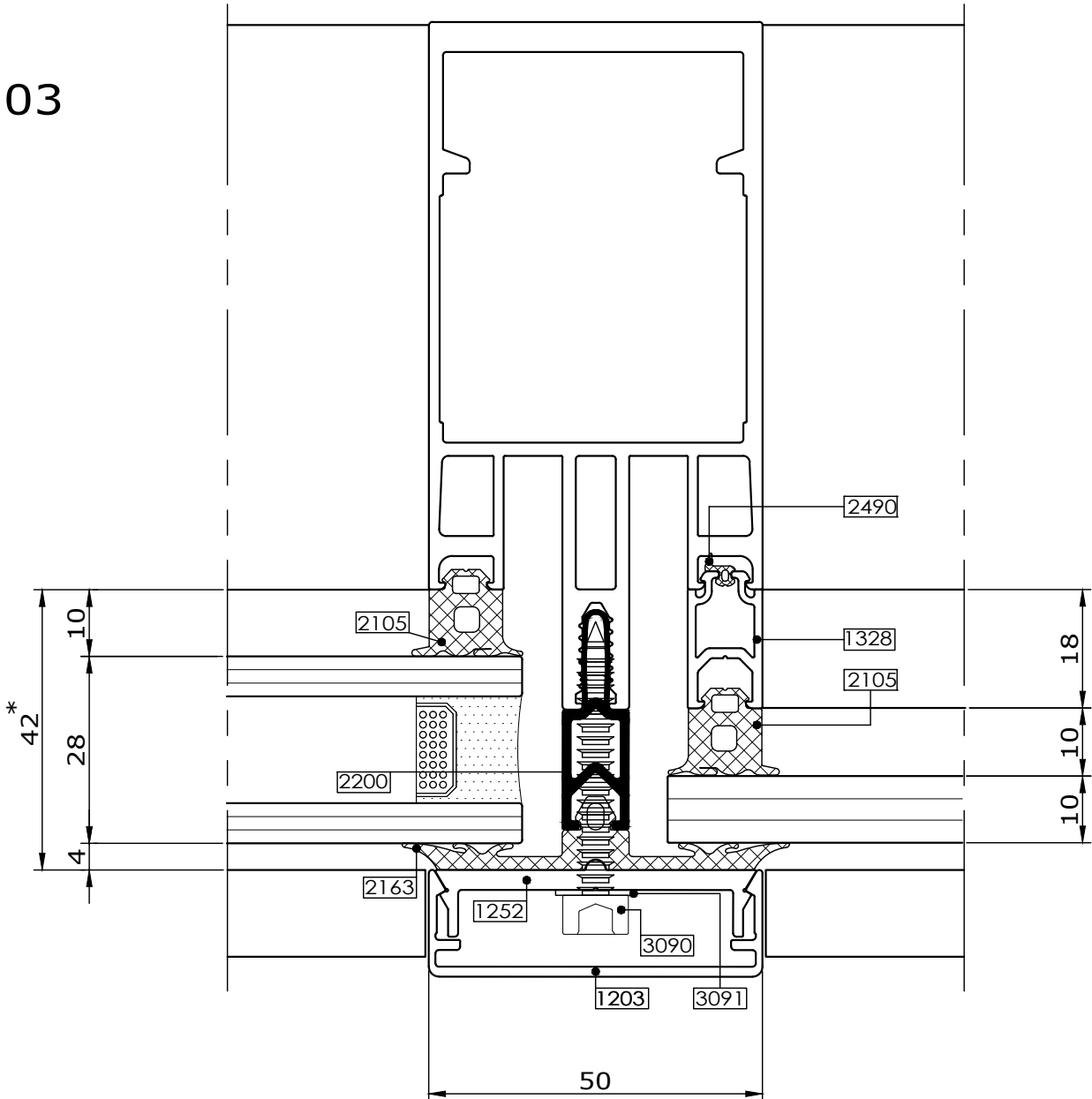
Comar 6EFT

Mullion detail Double to single glazed



2.03

Fabricators Guide



* Refer to Glazing Chart for glazing options



comar
ARCHITECTURAL ALUMINIUM SYSTEMS

Changes reserved
Sous reserve de modifications
Änderungen vorbehalten

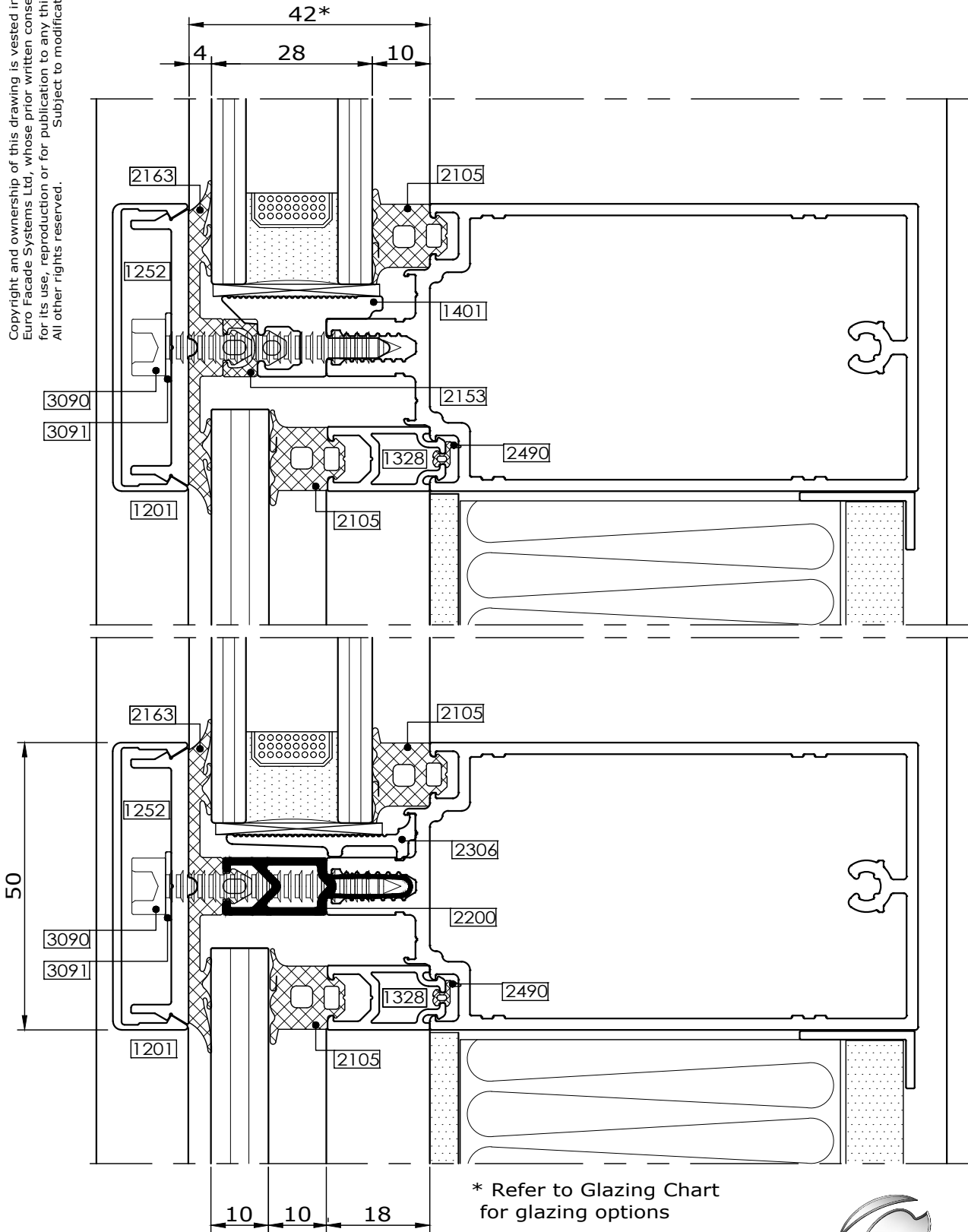
Issue: 05
Date : 03 -17

Copyright and ownership of this drawing is vested in EFT, Euro Facade Systems Ltd, whose prior written consent is required for its use, reproduction or for publication to any third party. All other rights reserved. Subject to modifications.

Transom detail
Double to single glazed

2.04

Copyright and ownership of this drawing is vested in EFT, Euro Facade Systems Ltd, whose prior written consent is required for its use, reproduction or for publication to any third party. All other rights reserved. Subject to modifications.



Changes reserved
Sous reserve de modifications
Änderungen vorbehalten

Issue: 05
Date : 10 -16

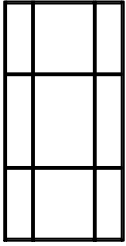


Typical details

2

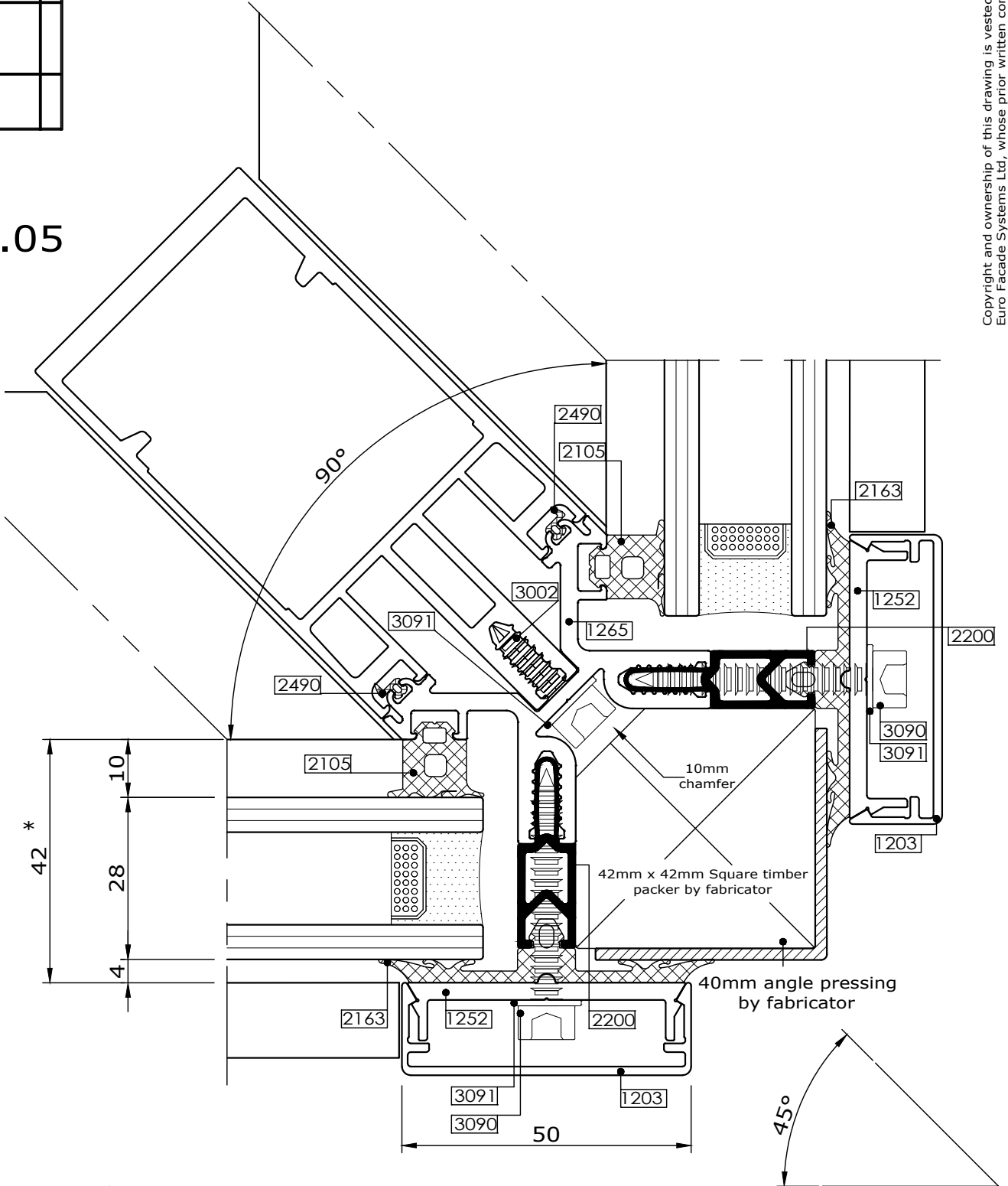
Comar 6EFT

Mullion detail 45° corner



2.05

Fabricators Guide



* Refer to Glazing Chart for glazing options

Changes reserved
Sous reserve de modifications
Änderungen vorbehalten

Issue: 05
Date : 03 -17

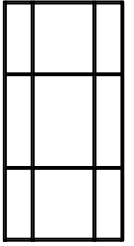
Copyright and ownership of this drawing is vested in EFT, Euro Facade Systems Ltd, whose prior written consent is required for its use, reproduction or for publication to any third party. All other rights reserved. Subject to modifications.

Copyright and ownership of this drawing is vested in EFT, Euro Facade Systems Ltd, whose prior written consent is required for its use, reproduction or for publication to any third party. All other rights reserved. Subject to modifications.

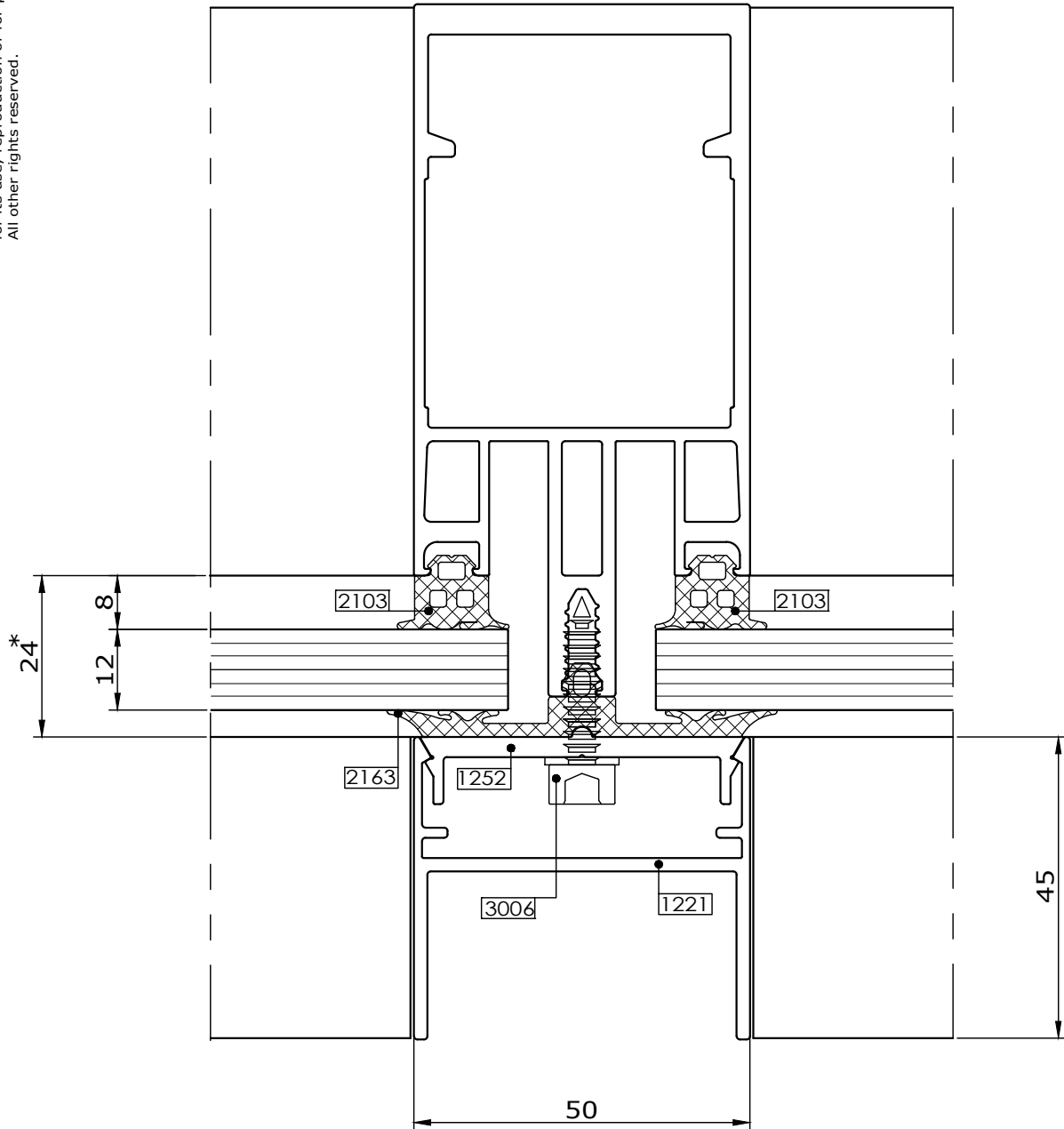
Mullion detail Single glazed

2 Typical details

Comar 6EFT



2.06



Fabricators Guide

* Refer to Glazing Chart for glazing options

Changes reserved
 Sous reserve de modifications
 Änderungen vorbehalten

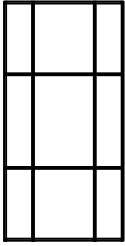
Issue: 05
 Date : 03 -17

Typical details

2

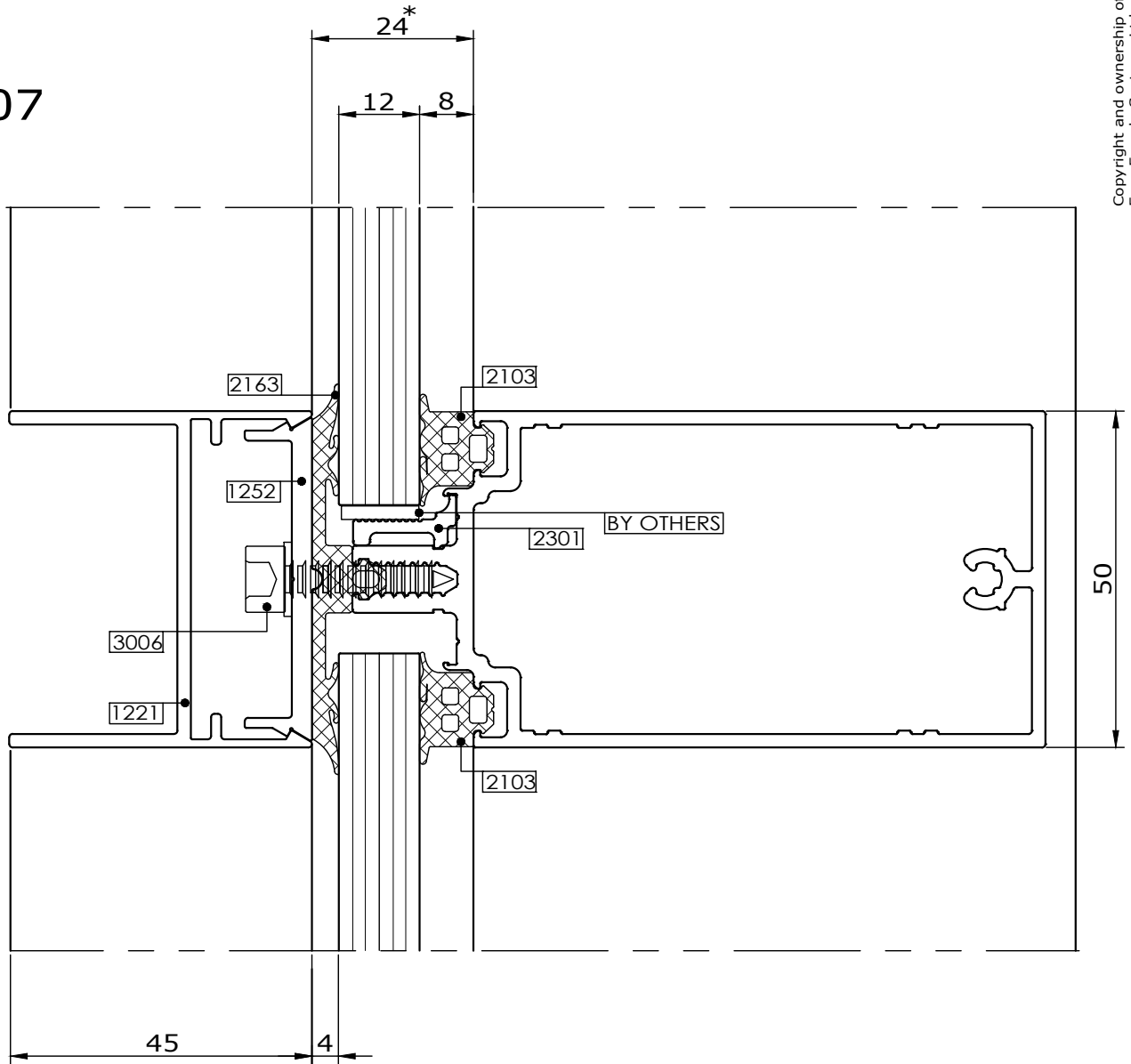
Comar 6EFT

Transom detail
Single glazed



2.07

Fabricators Guide



* Refer to Glazing Chart for glazing options



comar
ARCHITECTURAL ALUMINIUM SYSTEMS

Changes reserved
Sous reserve de modifications
Änderungen vorbehalten

Issue: 05
Date : 10 -16

Copyright and ownership of this drawing is vested in EFT,
Euro Facade Systems Ltd, whose prior written consent is required
for its use, reproduction or for publication to any third party.
All other rights reserved. Subject to modifications.

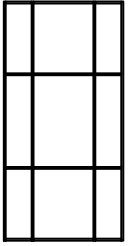
Copyright and ownership of this drawing is vested in EFT, Euro Facade Systems Ltd, whose prior written consent is required for its use, reproduction or for publication to any third party. All other rights reserved. Subject to modifications.

2

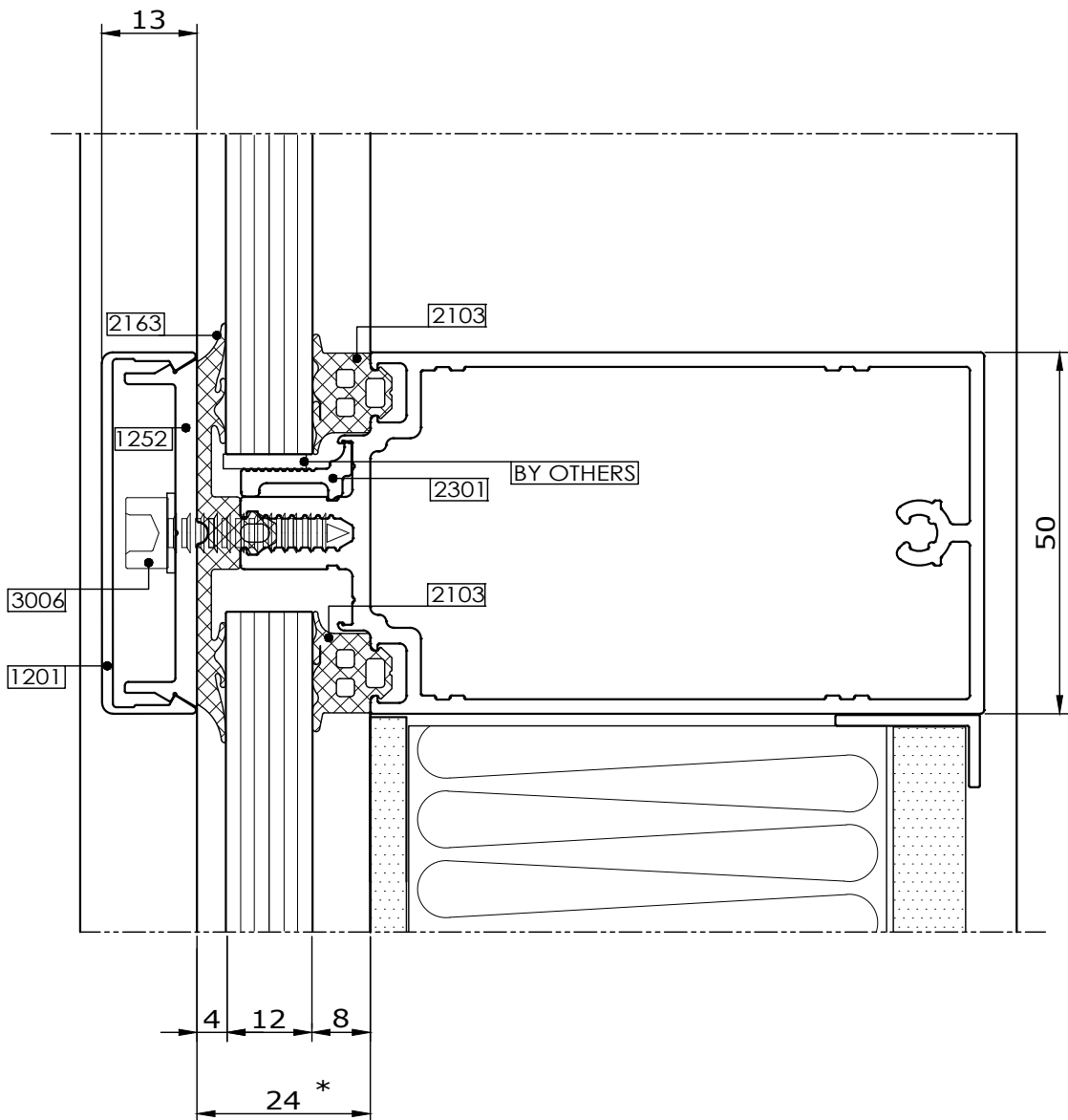
Typical details

Transom detail
Single glazed

Comar 6EFT



2.08



Fabricators Guide

* Refer to Glazing Chart for glazing options

Changes reserved
Sous reserve de modifications
Änderungen vorbehalten

Issue: 05
Date : 10 -16

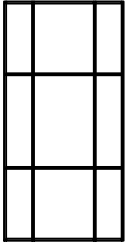


Typical details

2

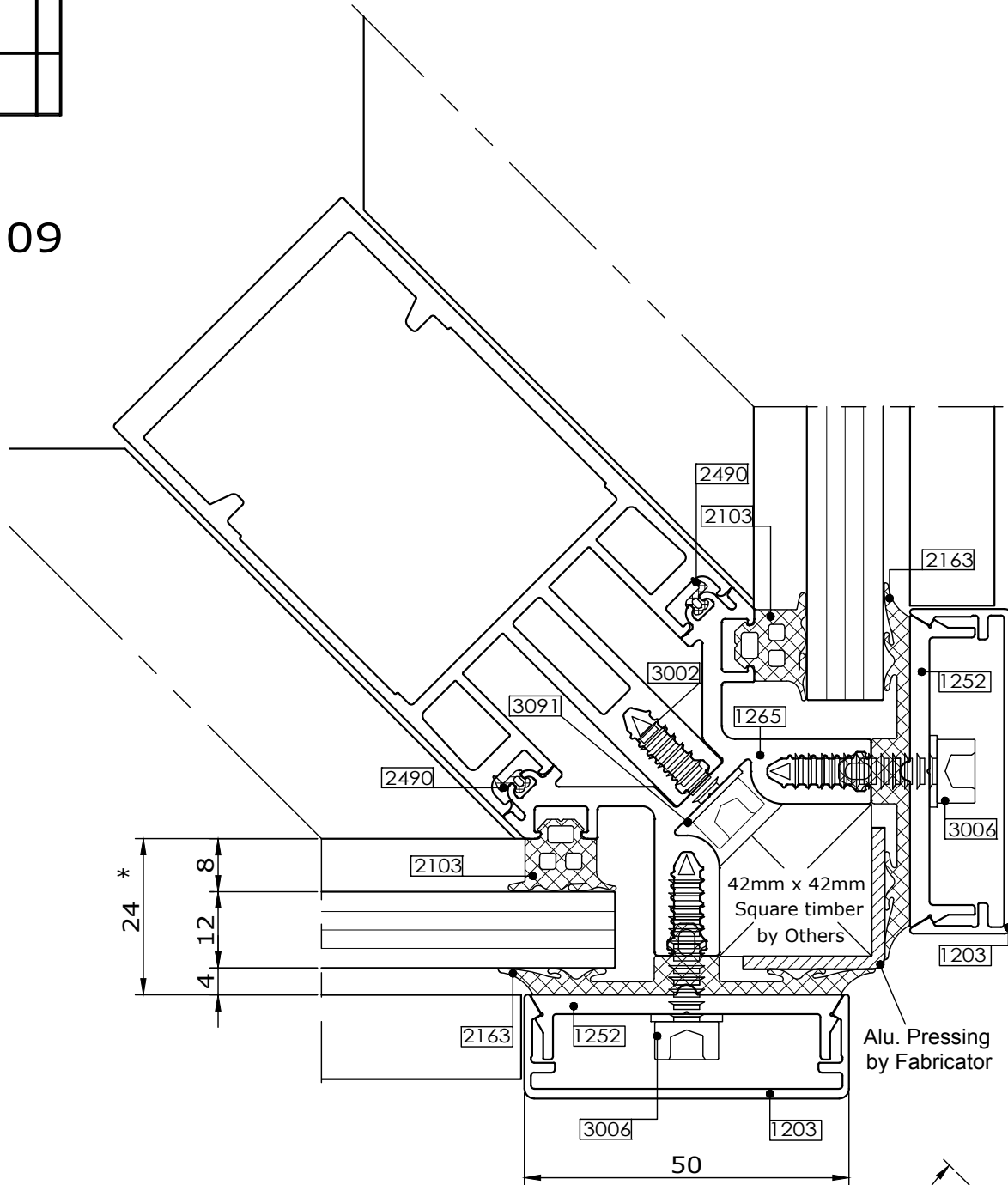
Comar 6EFT

45° Mullion corner detail
Single glazed



2.09

Fabricators Guide



* Refer to Glazing Chart for glazing options

45°



comar

ARCHITECTURAL ALUMINIUM SYSTEMS

Changes reserved
Sous reserve de modifications
Änderungen vorbehalten

Issue: 05
Date : 03 -17

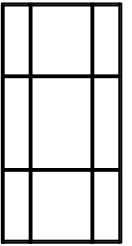
Copyright and ownership of this drawing is vested in EFT, Euro Facade Systems Ltd, whose prior written consent is required for its use, reproduction or for publication to any third party. All other rights reserved. Subject to modifications.

2

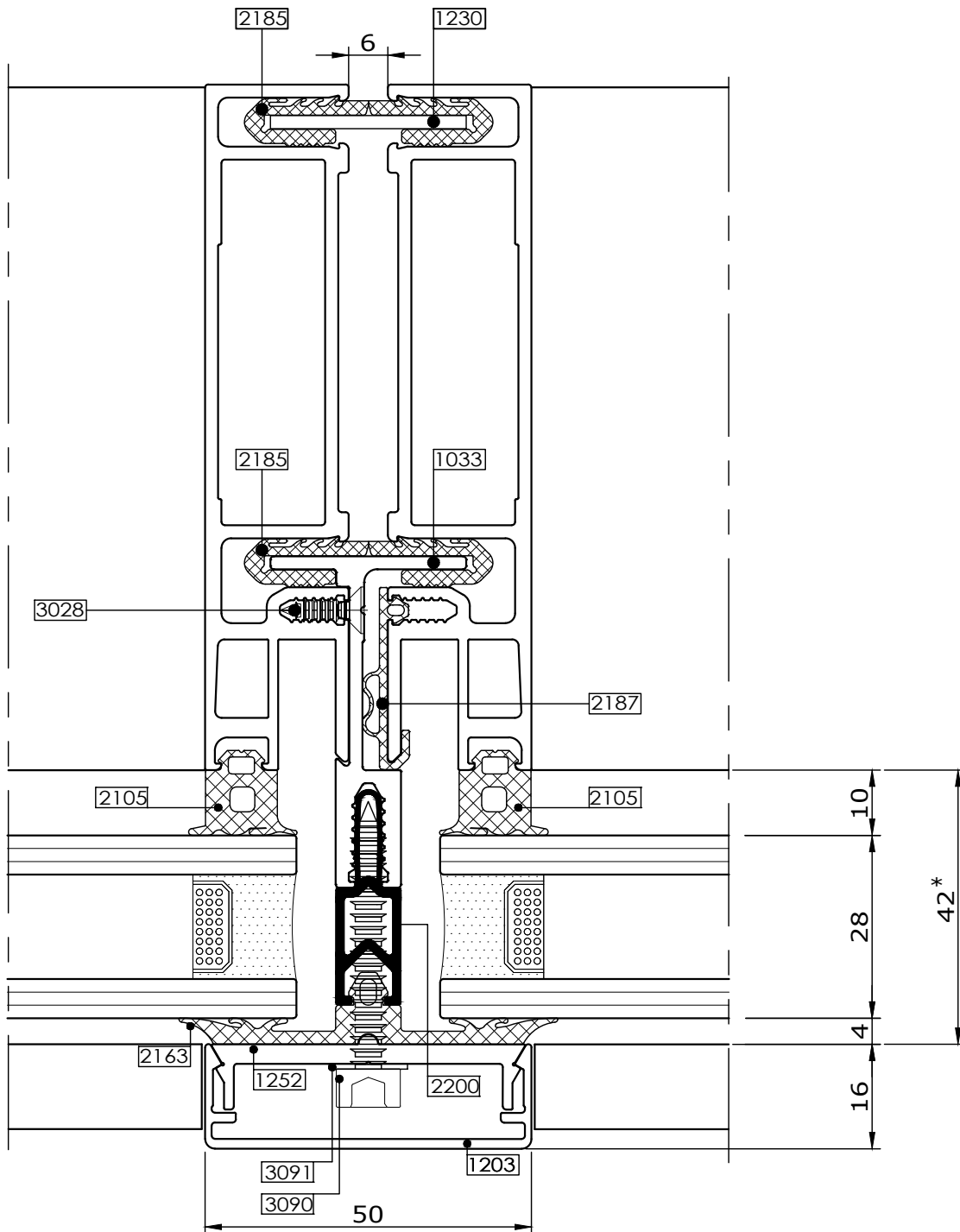
Typical details

Split mullion detail

Comar 6EFT



2.10



Fabricators Guide

Copyright and ownership of this drawing is vested in EFT, Euro Facade Systems Ltd, whose prior written consent is required for its use, reproduction or for publication to any third party. All other rights reserved.

Changes reserved
 Sous reserve de modifications
 Änderungen vorbehalten

Issue: 05
 Date : 10 -16

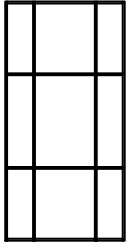


Typical details

2

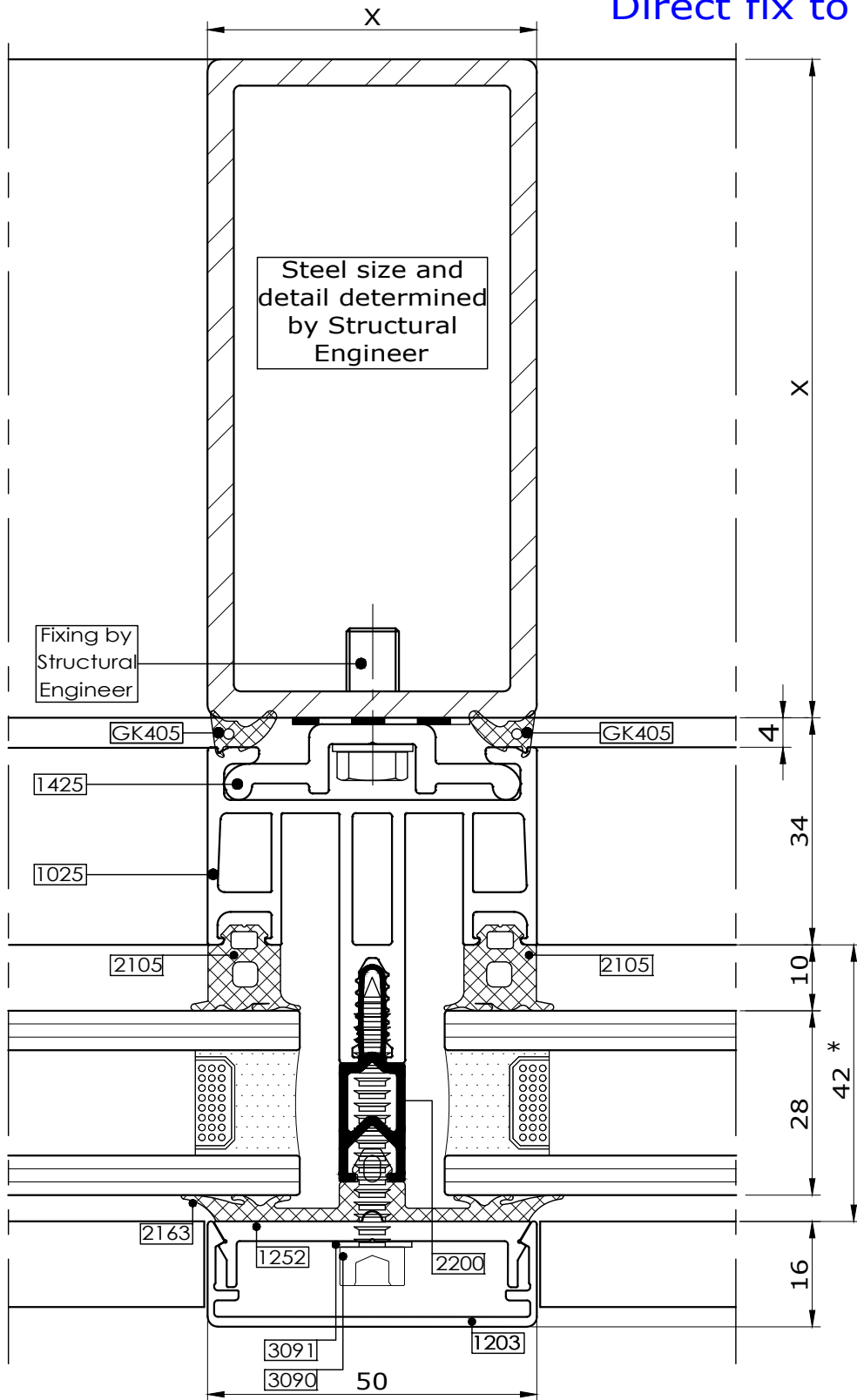
Comar 6EFT

Mullion detail
Direct fix to steel



2.11

Fabricators Guide



* Refer to Glazing Chart for glazing options

Changes reserved
Sous reserve de modifications
Änderungen vorbehalten

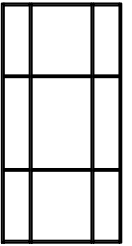


comar
ARCHITECTURAL ALUMINIUM SYSTEMS

Issue: 05
Date : 10 -16

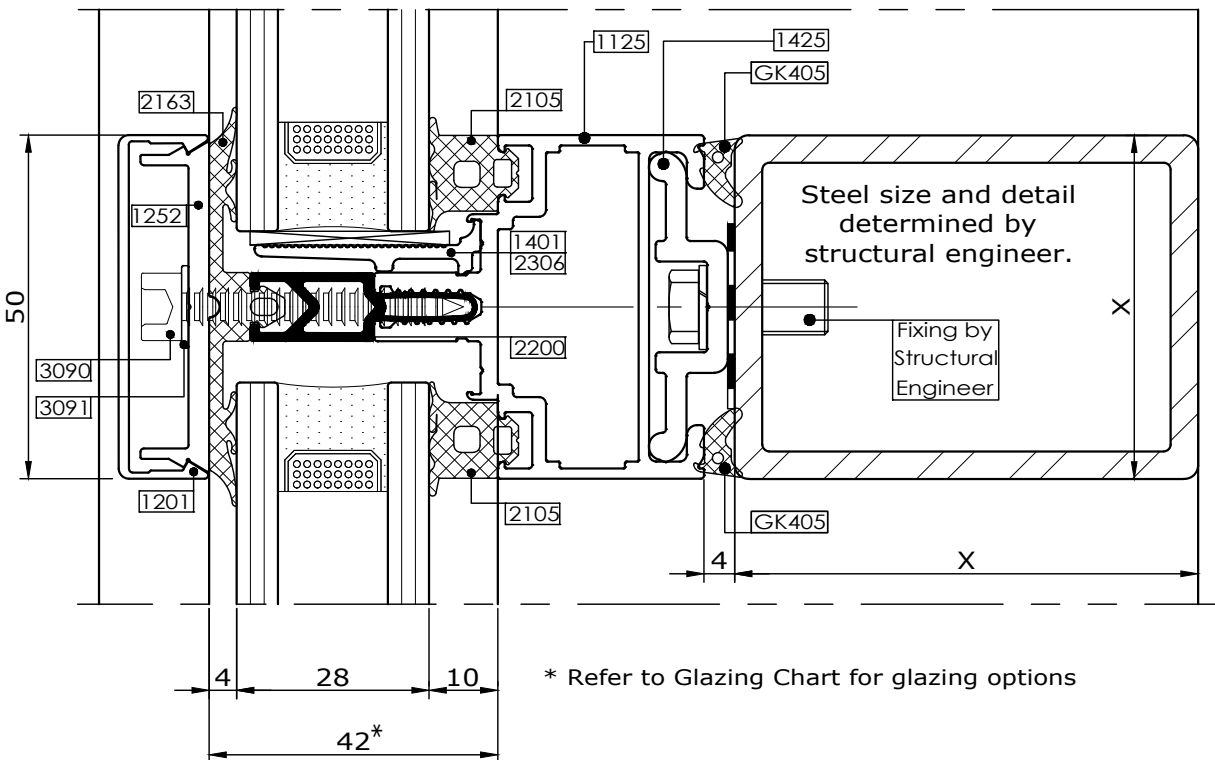
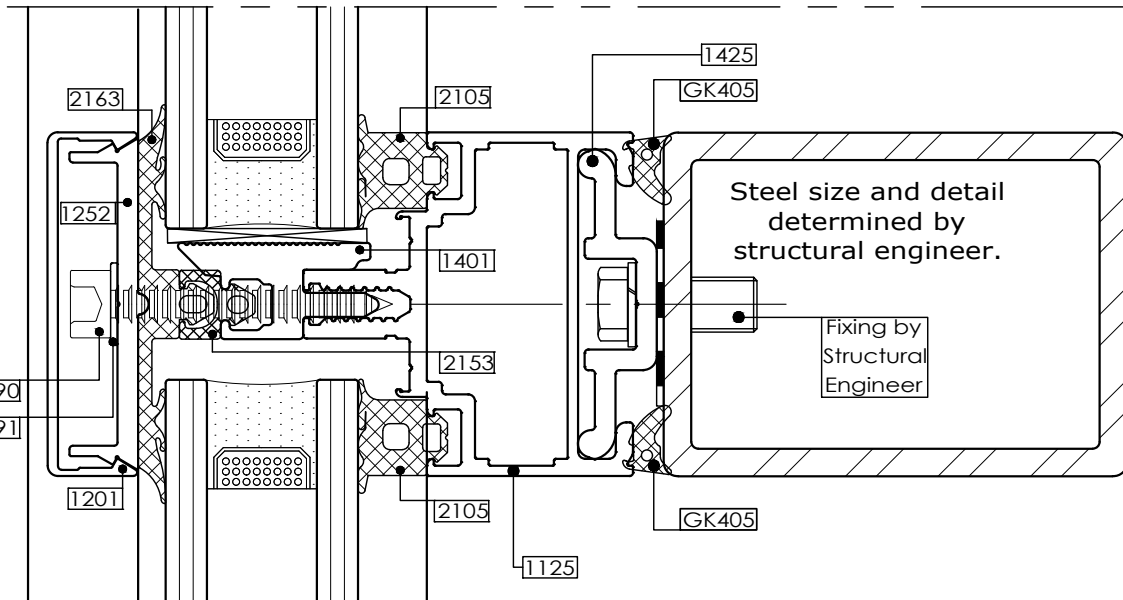
Copyright and ownership of this drawing is vested in EFT, Euro Facade Systems Ltd, whose prior written consent is required for its use, reproduction or for publication to any third party. All other rights reserved. Subject to modifications.

Transom detail
Direct fix to steel



2.12

Copyright and ownership of this drawing is vested in EFT, Euro Facade Systems Ltd, whose prior written consent is required for its use, reproduction or for publication to any third party. All other rights reserved. Subject to modifications.



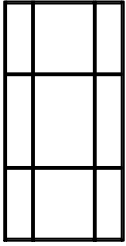
* Refer to Glazing Chart for glazing options

Changes reserved
Sous reserve de modifications
Änderungen vorbehalten

Issue: 05
Date : 02 -17

Comar 6EFT

Future addition



2.13

Fabricators Guide

FUTURE ADDITION

Copyright and ownership of this drawing is vested in EFT,
 Euro Facade Systems Ltd, whose prior written consent is required
 for its use, reproduction or for publication to any third party.
 All other rights reserved. Subject to modifications.

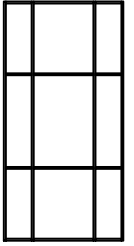
Copyright and ownership of this drawing is vested in EFT,
Euro Facade Systems Ltd, whose prior written consent is required
for its use, reproduction or for publication to any third party.
All other rights reserved. Subject to modifications.

Future addition

2

Typical details

Comar 6EFT



2.14

FUTURE
ADDITION

Fabricators Guide

Changes reserved
Sous reserve de modifications
Änderungen vorbehalten

Issue: 05
Date : 10 -16

Typical details

2

Comar 6EFT

Future addition

2.15

Fabricators Guide

FUTURE
ADDITION

Copyright and ownership of this drawing is vested in EFT,
Euro Facade Systems Ltd, whose prior written consent is required
for its use, reproduction or for publication to any third party.
All other rights reserved. Subject to modifications.



comar

ARCHITECTURAL ALUMINIUM SYSTEMS

Changes reserved
Sous reserve de modifications
Änderungen vorbehalten

Issue: 05
Date : 10 -16

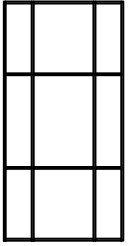
Copyright and ownership of this drawing is vested in EFT,
Euro Facade Systems Ltd, whose prior written consent is required
for its use, reproduction or for publication to any third party.
All other rights reserved. Subject to modifications.

2

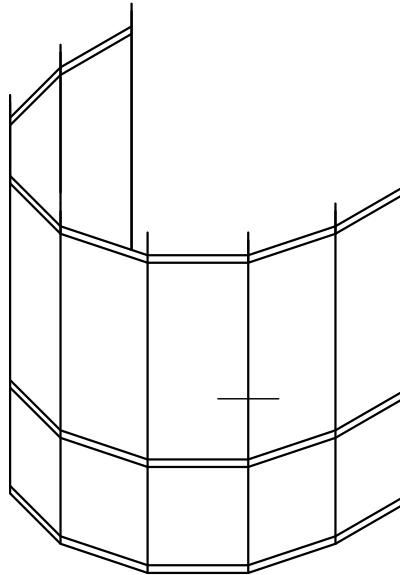
Typical details

Facetted Facades

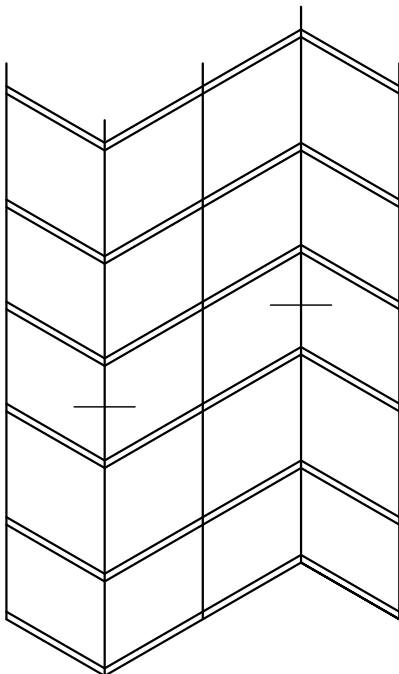
Comar 6EFT



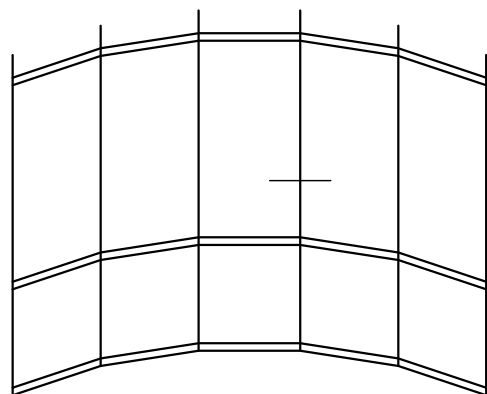
2.16



External corners



90° corners



Internal corners

Fabricators Guide

Changes reserved
Sous reserve de modifications
Änderungen vorbehalten

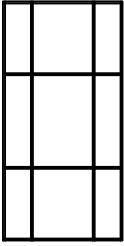
Issue: 05
Date : 10 -16

Typical details

2

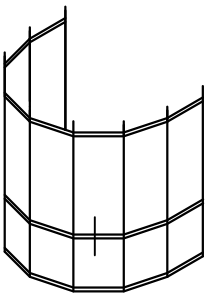
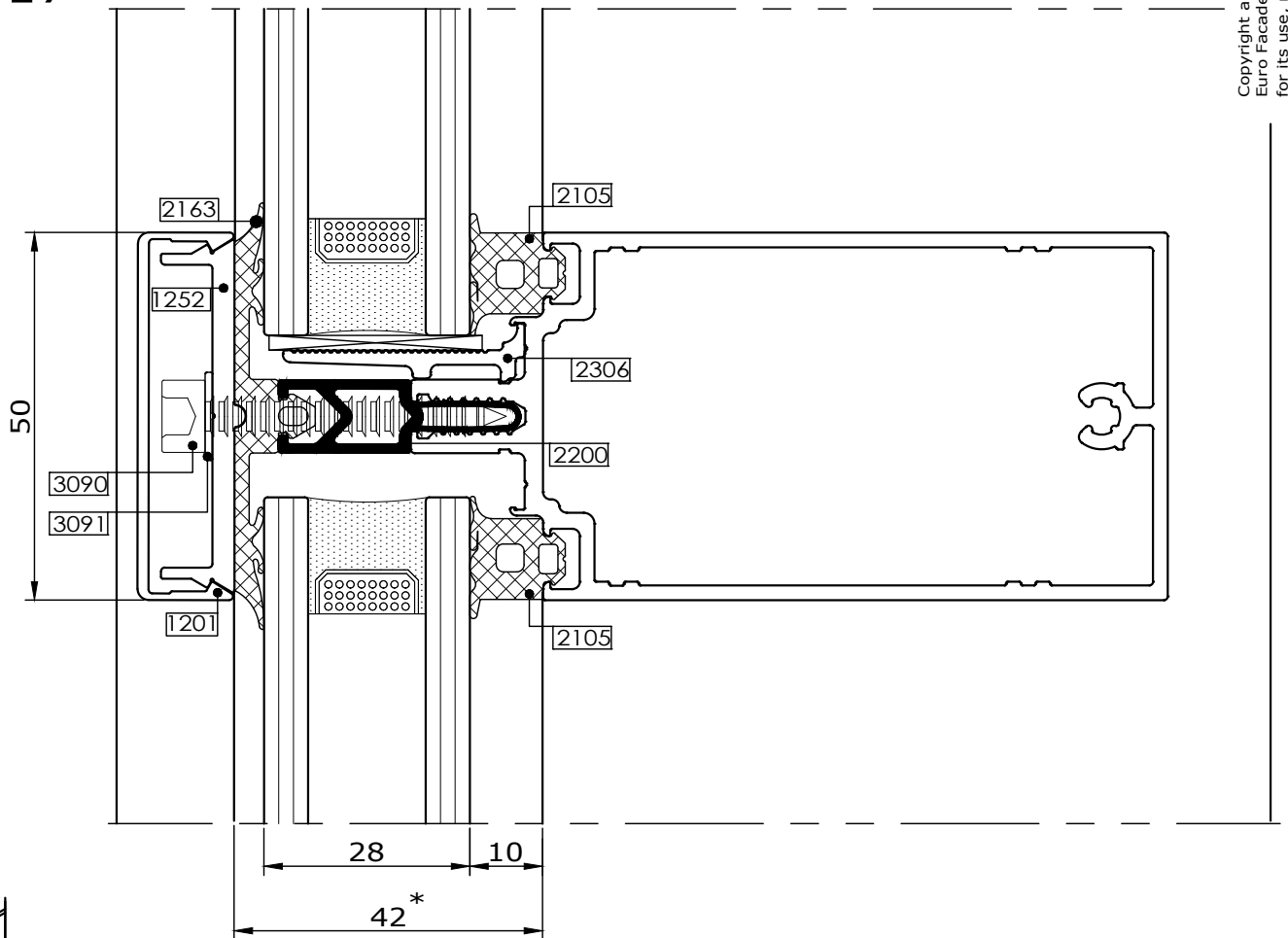
Comar 6EFT

Transom detail Facetted Facade



2.17

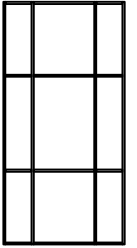
Fabricators Guide



* Refer to Glazing Chart for glazing options

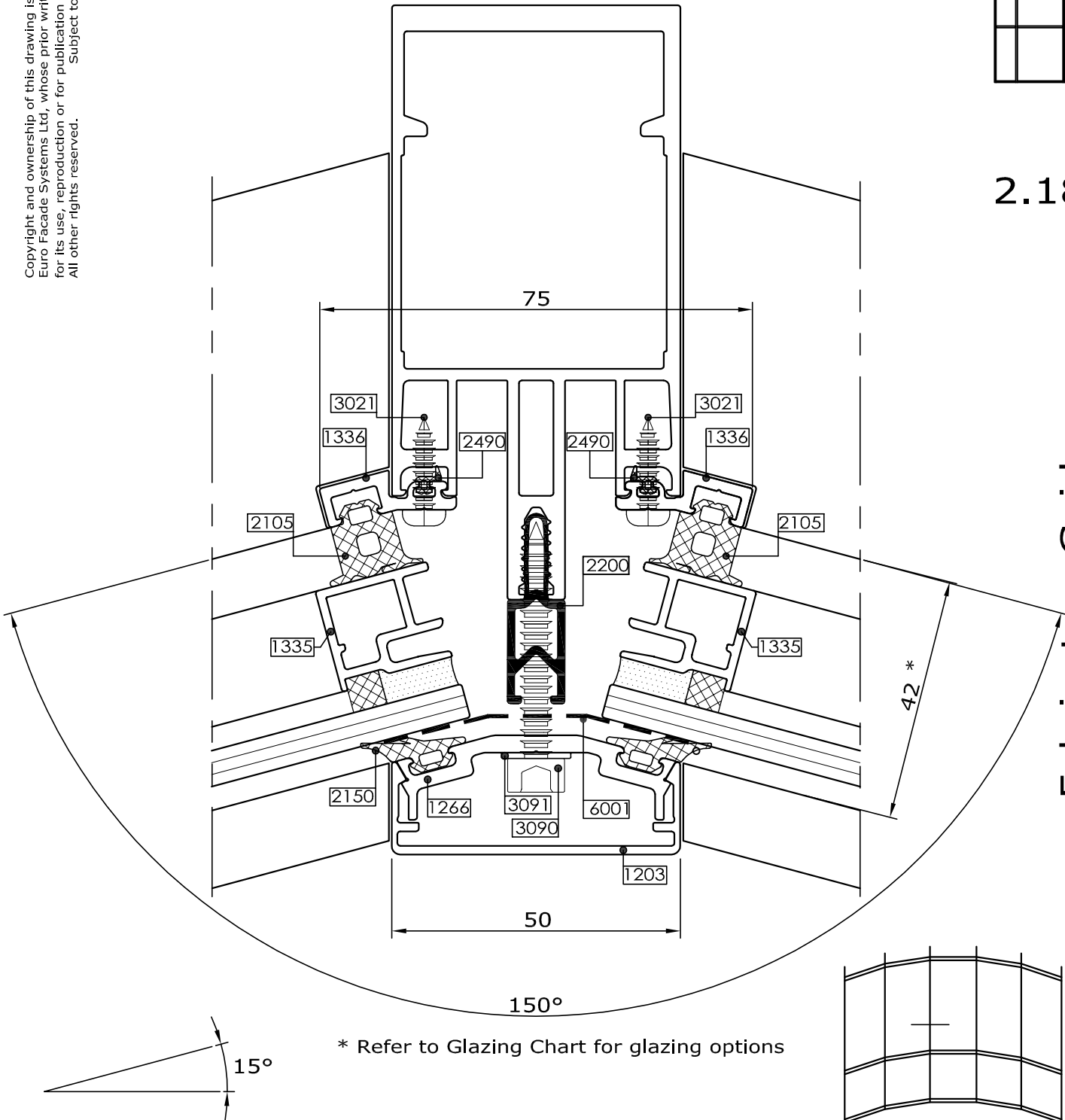
Copyright and ownership of this drawing is vested in EFT, Euro Facade Systems Ltd, whose prior written consent is required for its use, reproduction or for publication to any third party. All other rights reserved. Subject to modifications.

Mullion detail
Facetted facade - Single glazed
15° nominal



2.18

Fabricators Guide



Copyright and ownership of this drawing is vested in EFT, Euro Facade Systems Ltd, whose prior written consent is required for its use, reproduction or for publication to any third party. All other rights reserved. Subject to modifications.

Changes reserved
Sous reserve de modifications
Änderungen vorbehalten

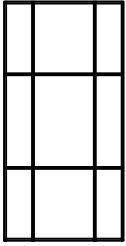
Issue: 05
Date : 09 -17

Typical details

2

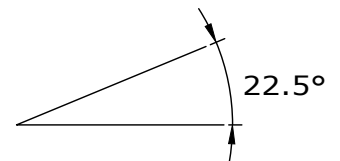
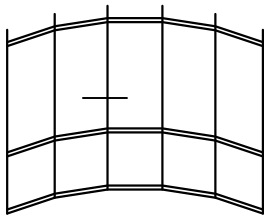
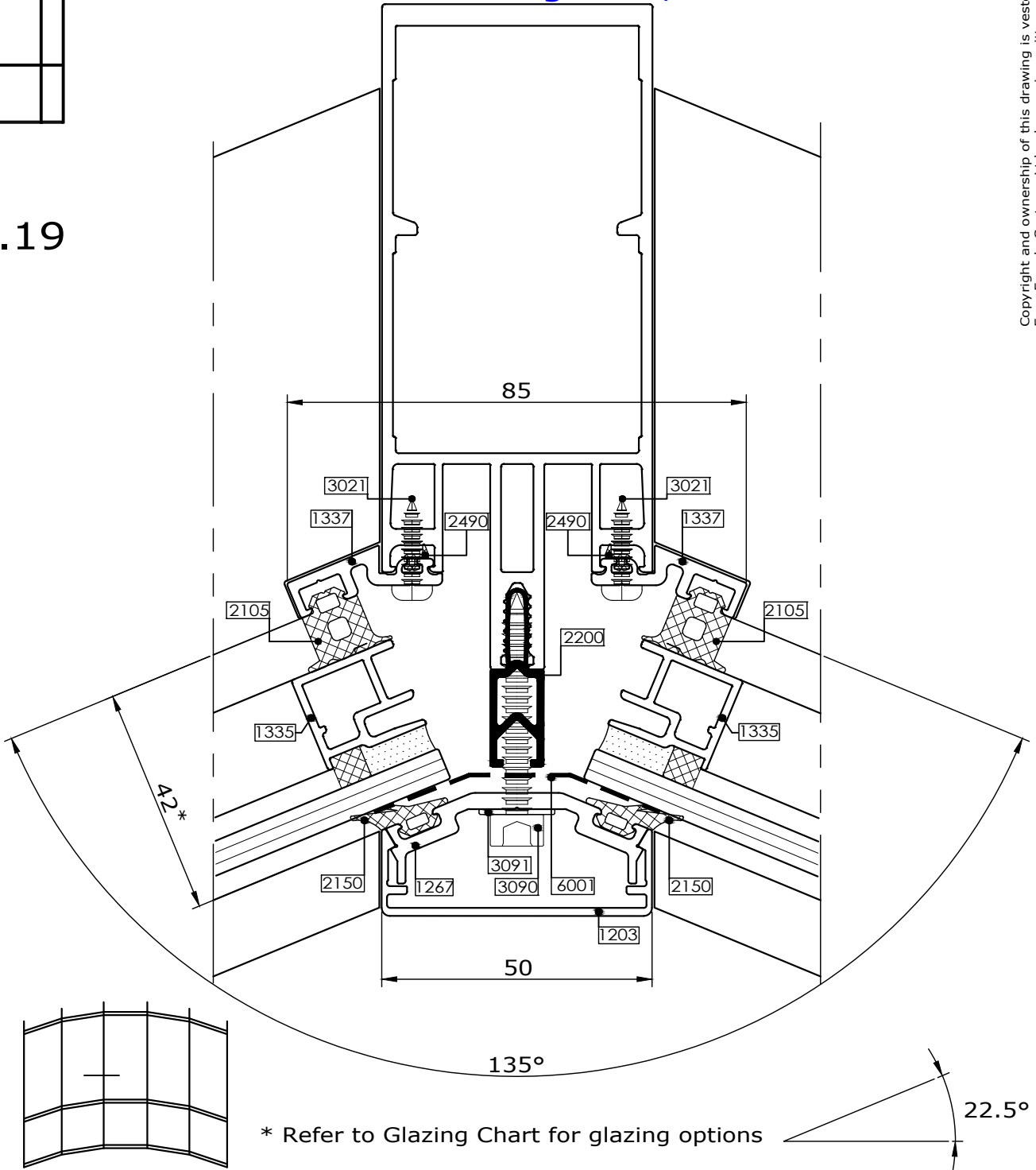
Comar 6EFT

Mullion detail
Facetted facade - Single glazed, 22.5° nominal



2.19

Fabricators Guide



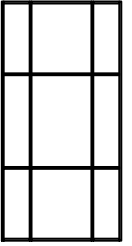
Copyright and ownership of this drawing is vested in EFT, Euro Facade Systems Ltd, whose prior written consent is required for its use, reproduction or for publication to any third party. All other rights reserved. Subject to modifications.

2

Typical details

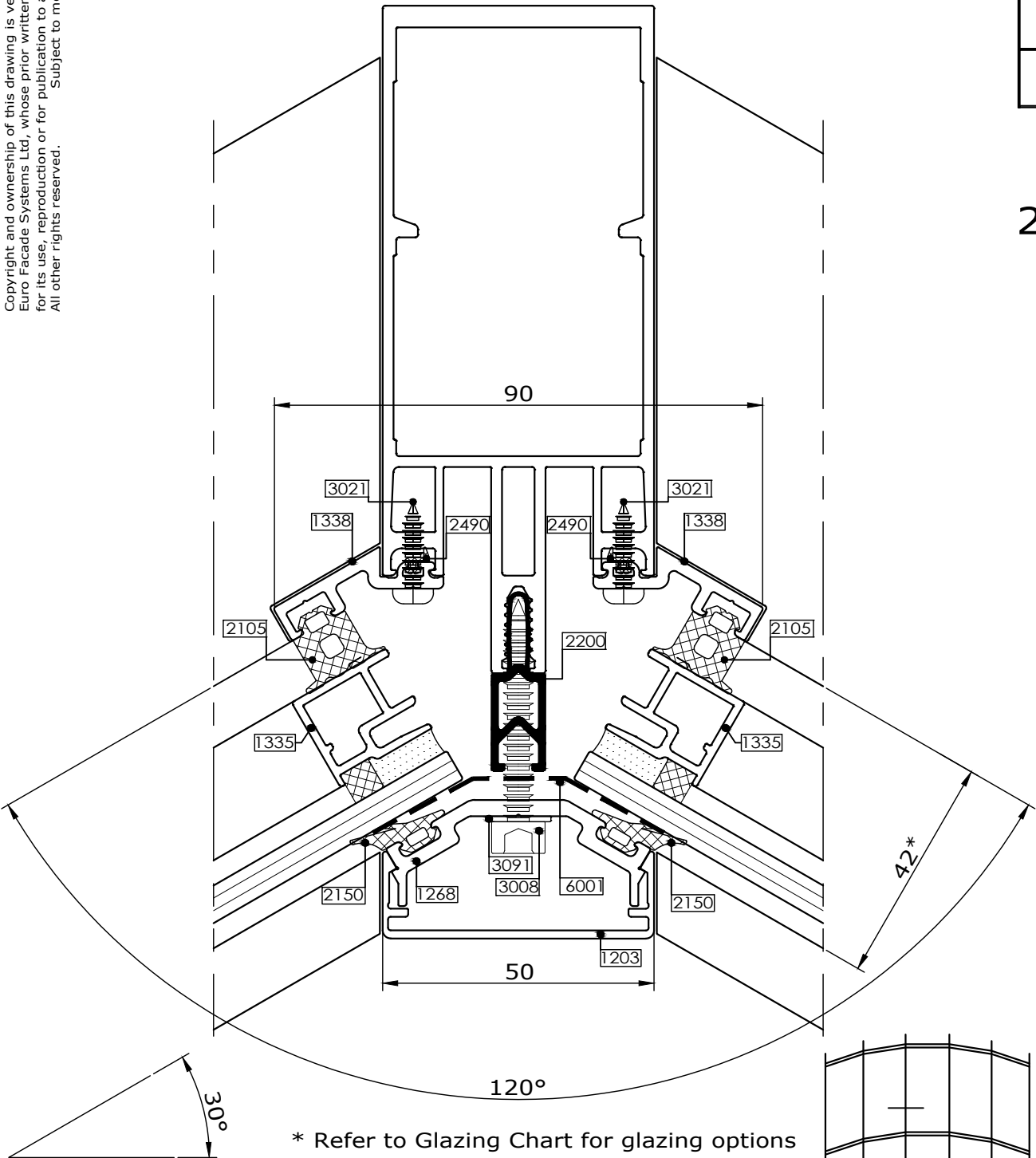
Comar 6EFT

Mullion detail
Facetted facade - Single glazed
30°nominal

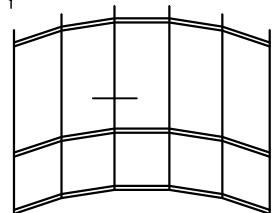


2.20

Copyright and ownership of this drawing is vested in EFT, Euro Facade Systems Ltd, whose prior written consent is required for its use, reproduction or for publication to any third party. All other rights reserved. Subject to modifications.



Fabricators Guide



Changes reserved
Sous reserve de modifications
Änderungen vorbehalten

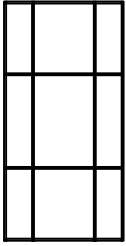
Issue: 05
Date : 10 -16

Typical details

2

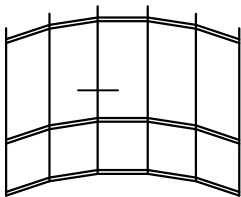
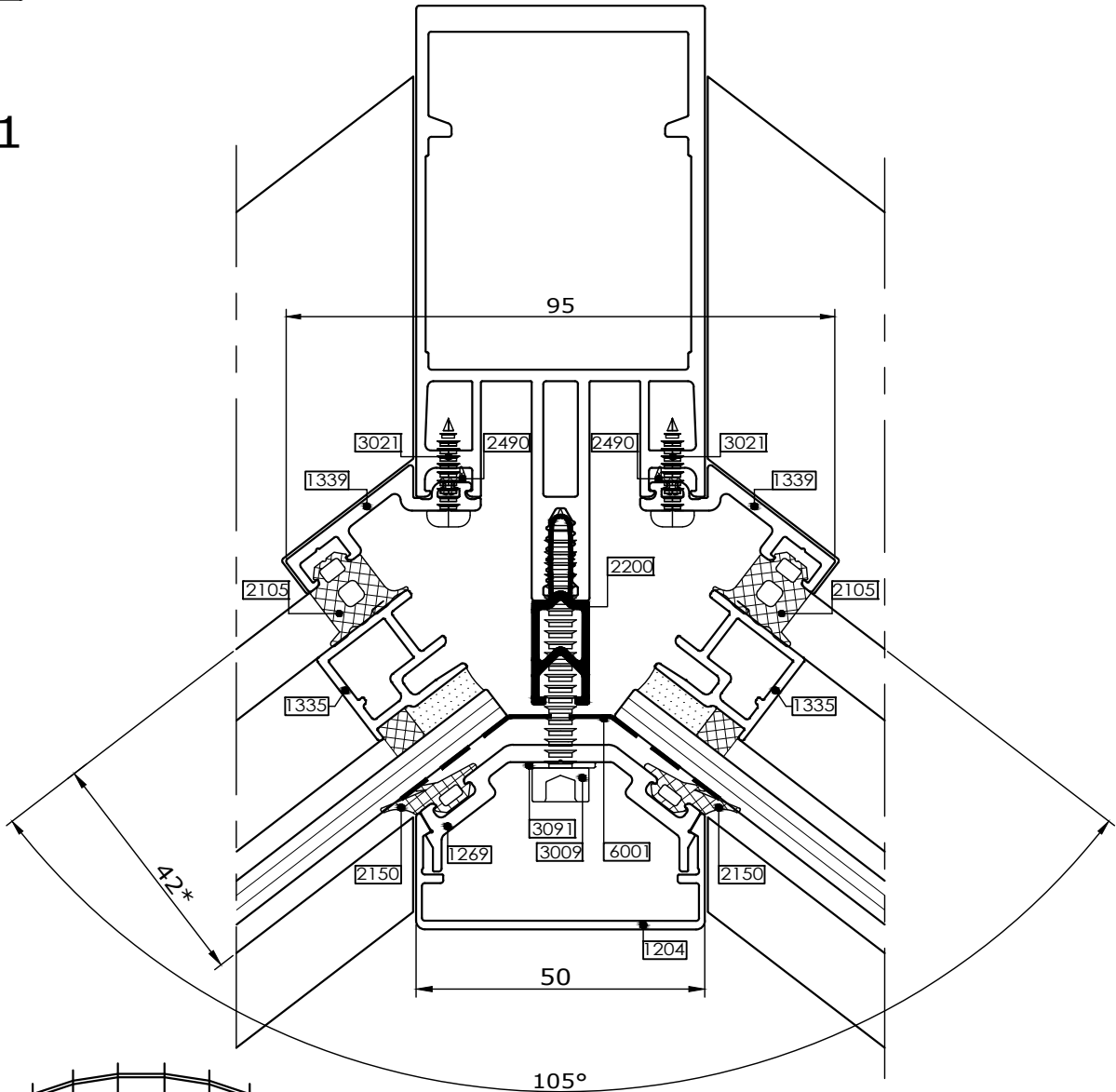
Comar 6EFT

Mullion detail
Facetted facade - Single glazed, 37.5° nominal

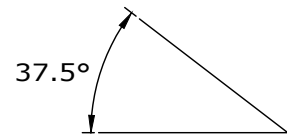


2.21

Fabricators Guide



* Refer to Glazing Chart for glazing options



Copyright and ownership of this drawing is vested in EFT, Euro Facade Systems Ltd, whose prior written consent is required for its use, reproduction or for publication to any third party. All other rights reserved. Subject to modifications.



comar
ARCHITECTURAL ALUMINIUM SYSTEMS

Changes reserved
Sous reserve de modifications
Änderungen vorbehalten

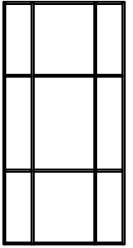
Issue: 05
Date : 03 -17

2

Typical details

Comar 6EFT

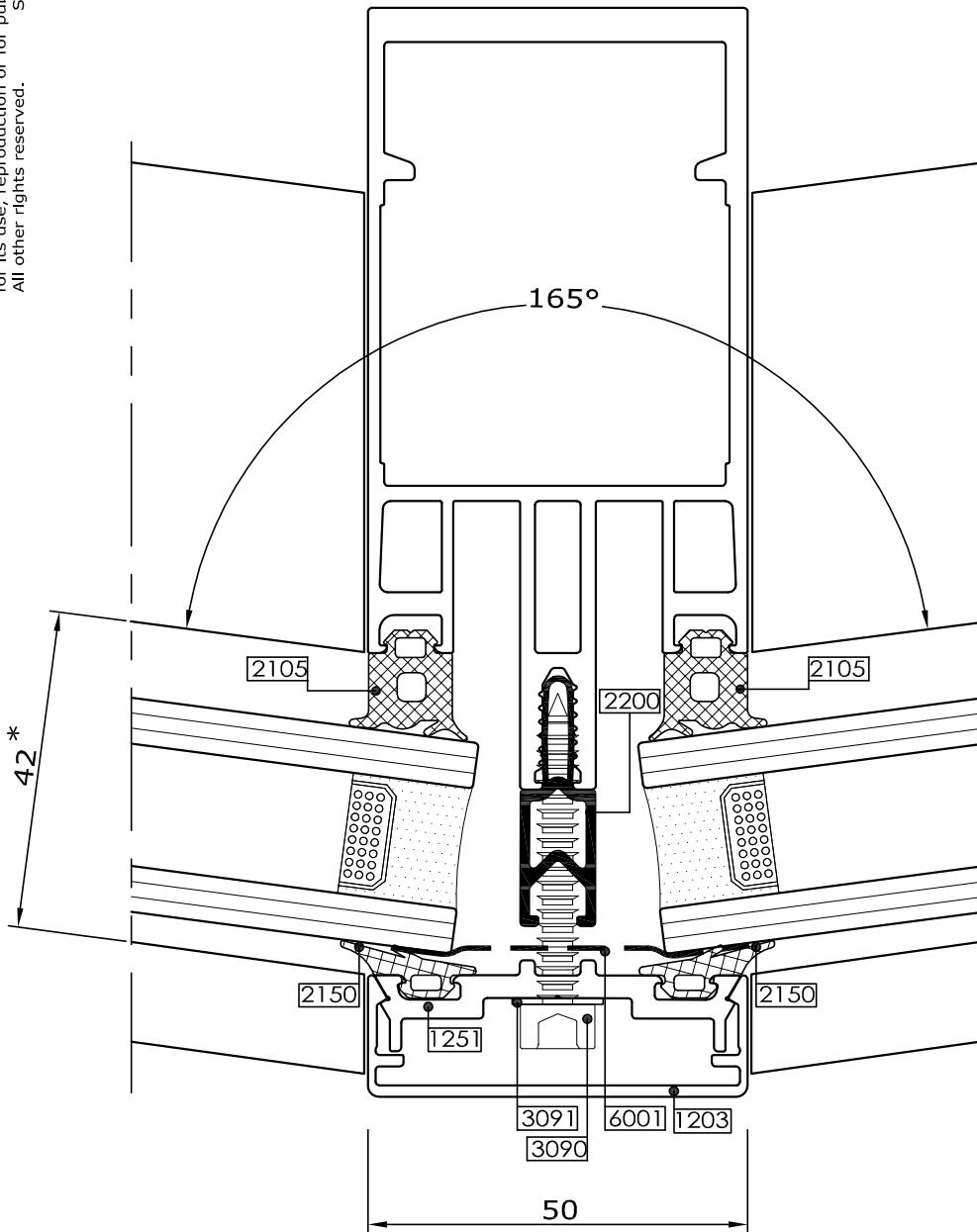
Mullion detail
Facetted facade
7.5° nominal



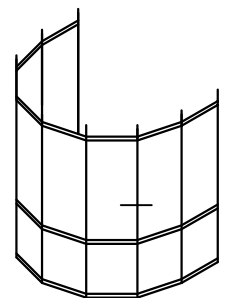
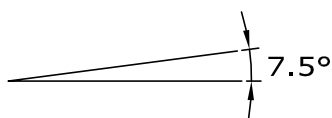
2.22

Fabricators Guide

Copyright and ownership of this drawing is vested in EFT, Euro Facade Systems Ltd, whose prior written consent is required for its use, reproduction or for publication to any third party. All other rights reserved. Subject to modifications.



* Refer to Glazing Chart for glazing options



Changes reserved
Sous reserve de modifications
Änderungen vorbehalten

Issue: 05
Date : 09 -17

Typical detail

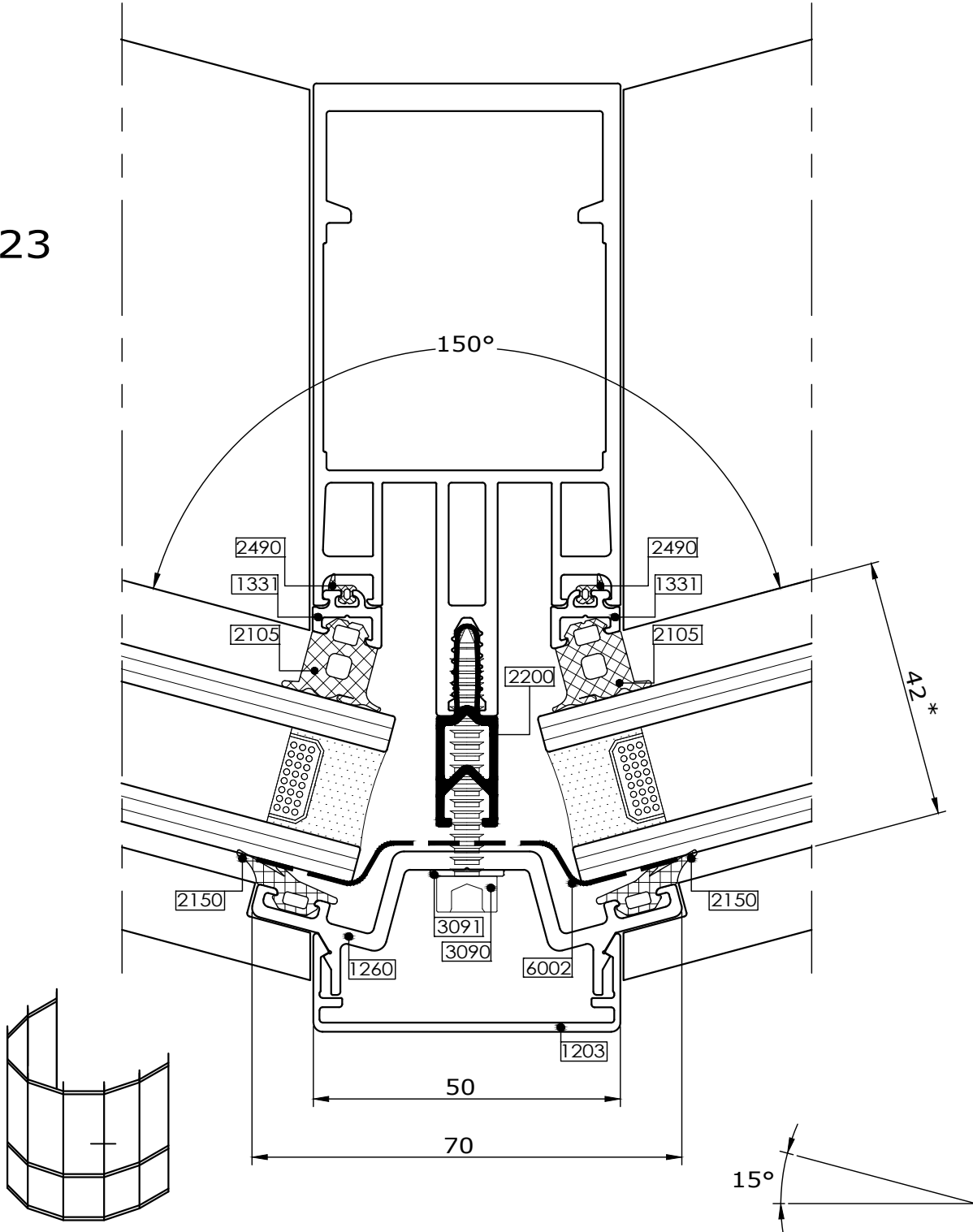
2

Comar 6EFT

Mullion detail
Facetted facade
15° nominal

2.23

Fabricators Guide



* Refer to Glazing Chart for glazing options

Copyright and ownership of this drawing is vested in EFT, Euro Facade Systems Ltd, whose prior written consent is required for its use, reproduction or for publication to any third party. All other rights reserved. Subject to modifications.



comar
ARCHITECTURAL ALUMINIUM SYSTEMS

Changes reserved
Sous reserve de modifications
Änderungen vorbehalten

Issue: 05
Date : 03 -17

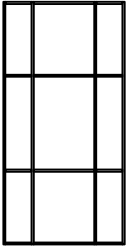
Copyright and ownership of this drawing is vested in EFT, Euro Facade Systems Ltd, whose prior written consent is required for its use, reproduction or for publication to any third party. All other rights reserved. Subject to modifications.

2

Typical detail

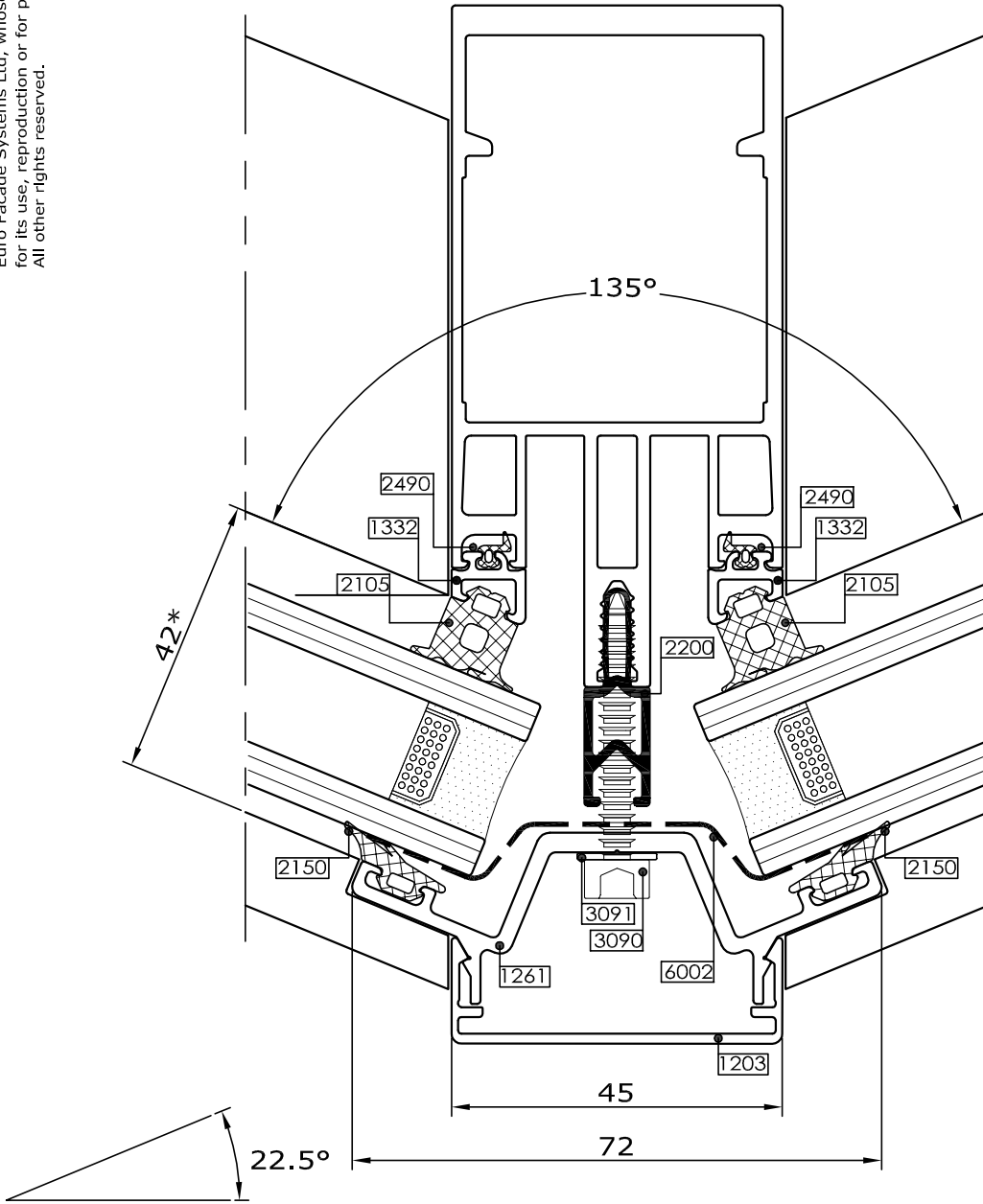
Comar 6EFT

Mullion detail
Facetted facade
22.5° nominal



2.24

Fabricators Guide



* Refer to Glazing Chart for glazing options

Changes reserved
Sous reserve de modifications
Änderungen vorbehalten

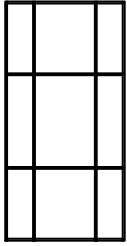
Issue: 05
Date : 09 -17

Typical detail

2

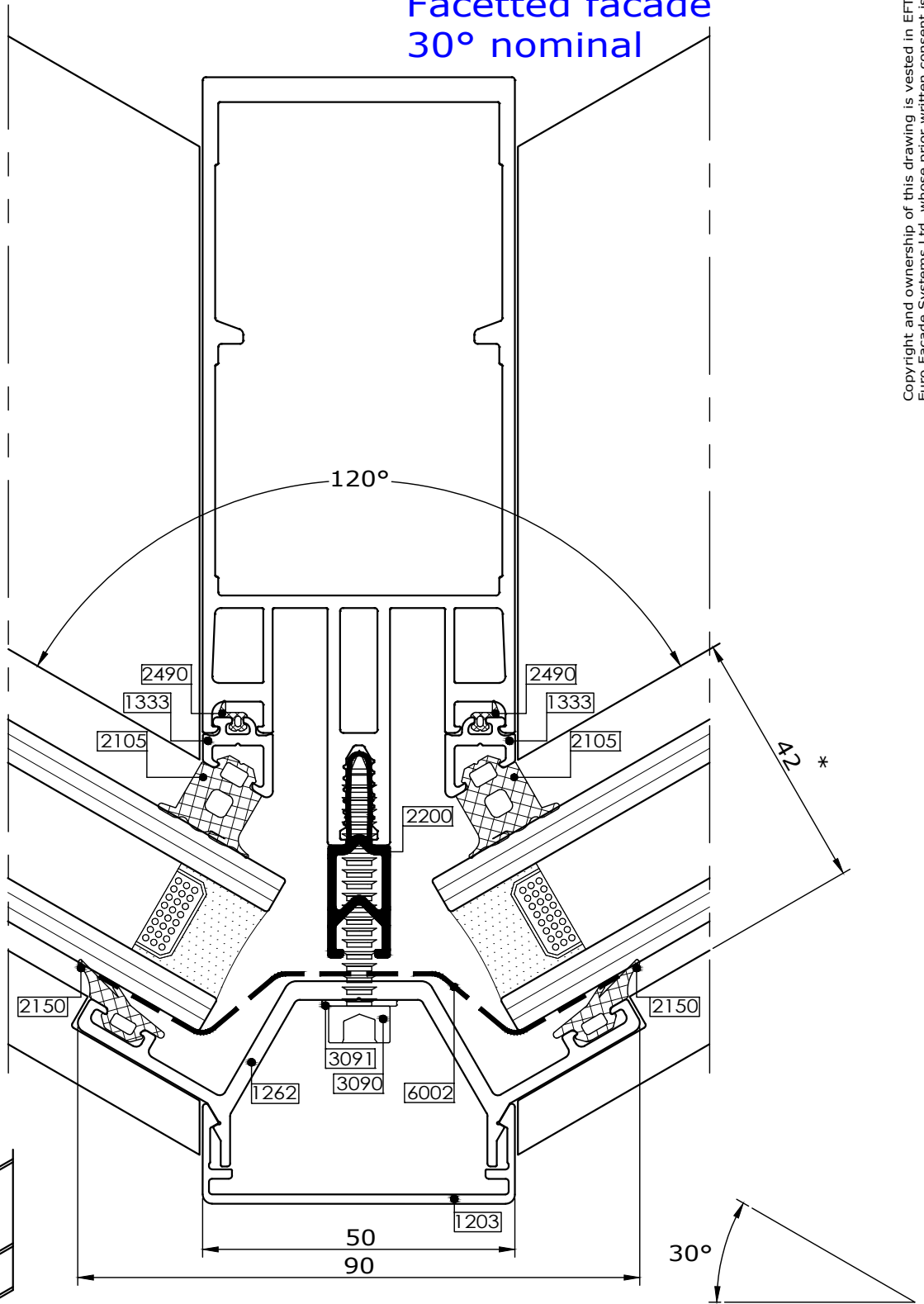
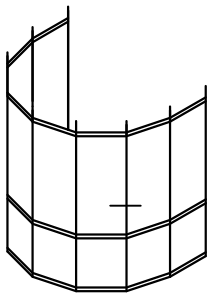
Comar 6EFT

Mullion detail
Facetted facade
30° nominal



2.25

Fabricators Guide



* Refer to Glazing Chart for glazing options

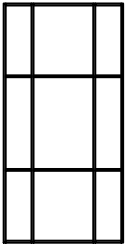
Changes reserved
Sous reserve de modifications
Änderungen vorbehalten

2

Typical detail

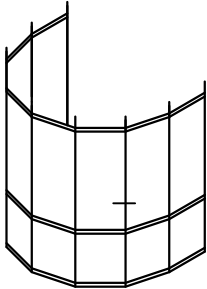
Comar 6EFT

Mullion detail
Facetted facade
37.5° nominal

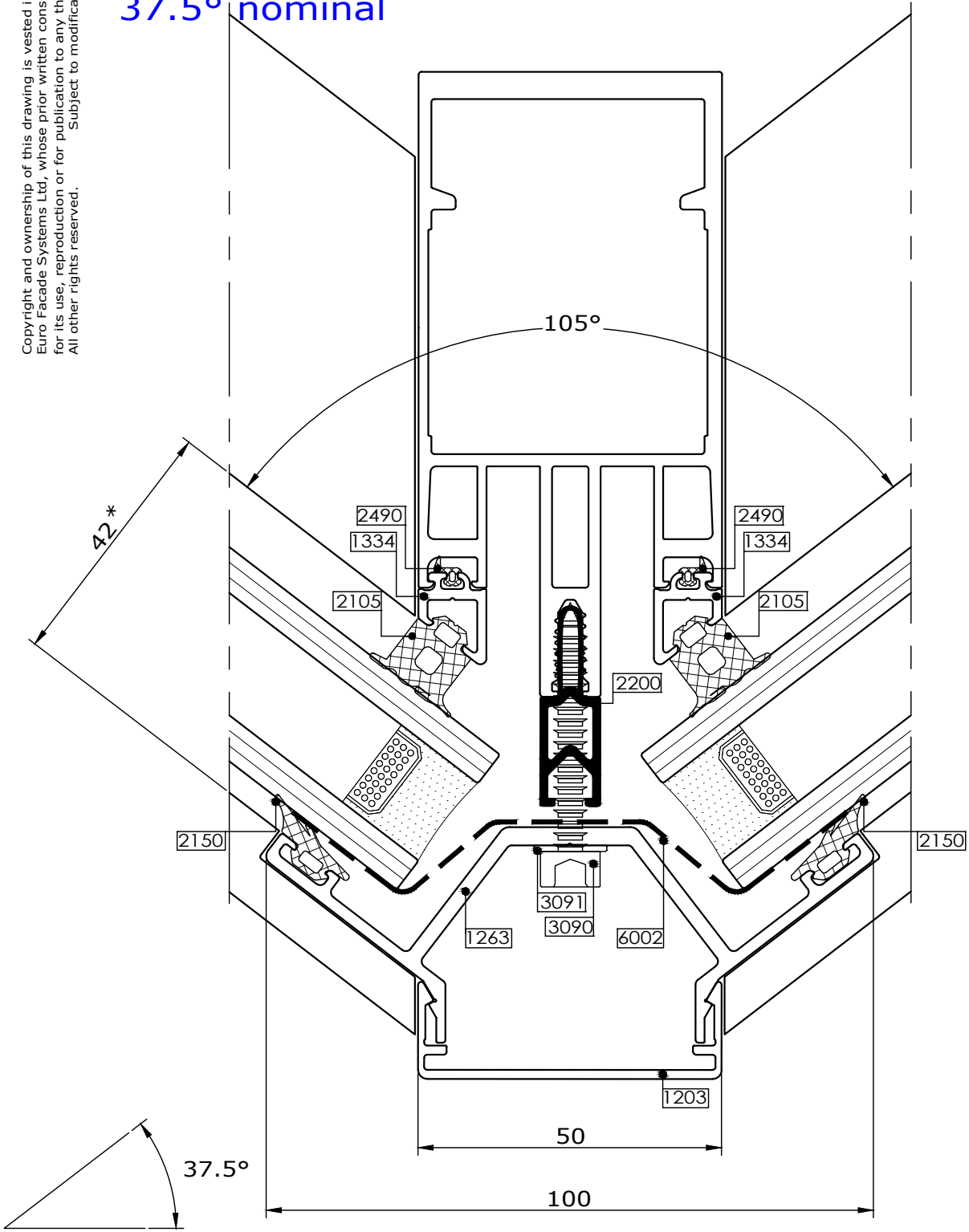


2.26

Fabricators Guide



Copyright and ownership of this drawing is vested in EFT, Euro Facade Systems Ltd, whose prior written consent is required for its use, reproduction or for publication to any third party. All other rights reserved.



* Refer to Glazing Chart for glazing options

Changes reserved
Sous reserve de modifications
Änderungen vorbehalten

Issue: 05
Date : 03 -17

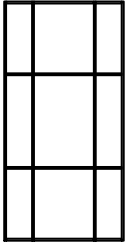


Typical detail

2

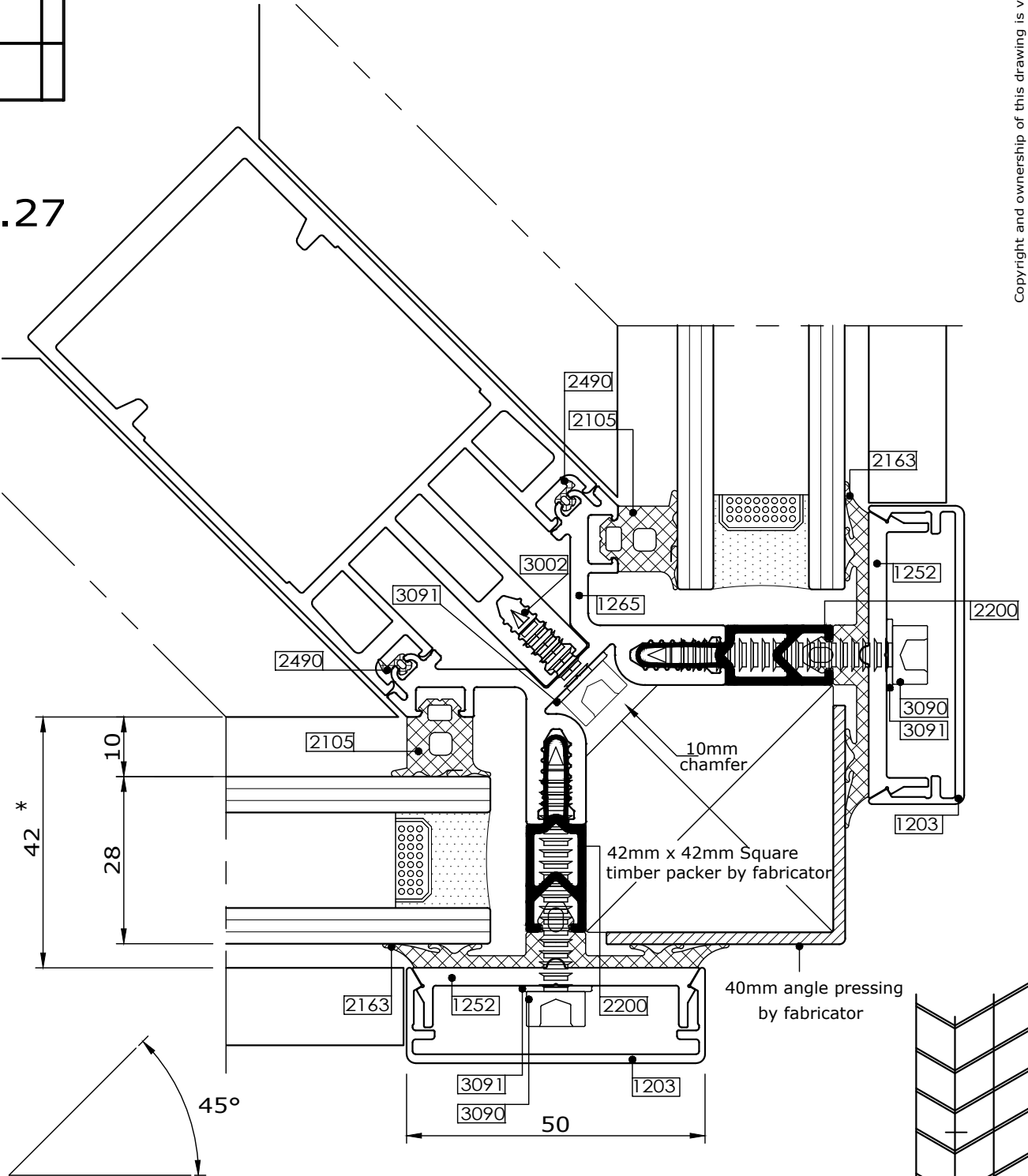
Comar 6EFT

Mullion Detail
Facetted facade
45° corner

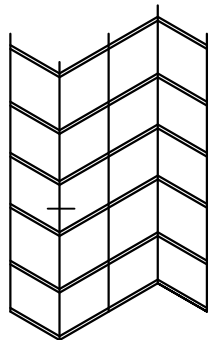


2.27

Fabricators Guide



* Refer to Glazing Chart for glazing options



Changes reserved
Sous reserve de modifications
Änderungen vorbehalten

Issue: 05
Date : 03 -17

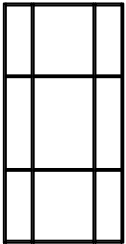
Copyright and ownership of this drawing is vested in EFT, Euro Facade Systems Ltd, whose prior written consent is required for its use, reproduction or for publication to any third party. All other rights reserved. Subject to modifications.

2

Typical detail

Comar 6EFT

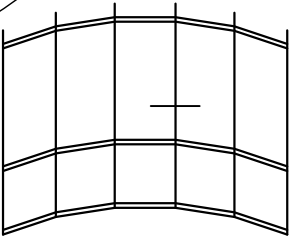
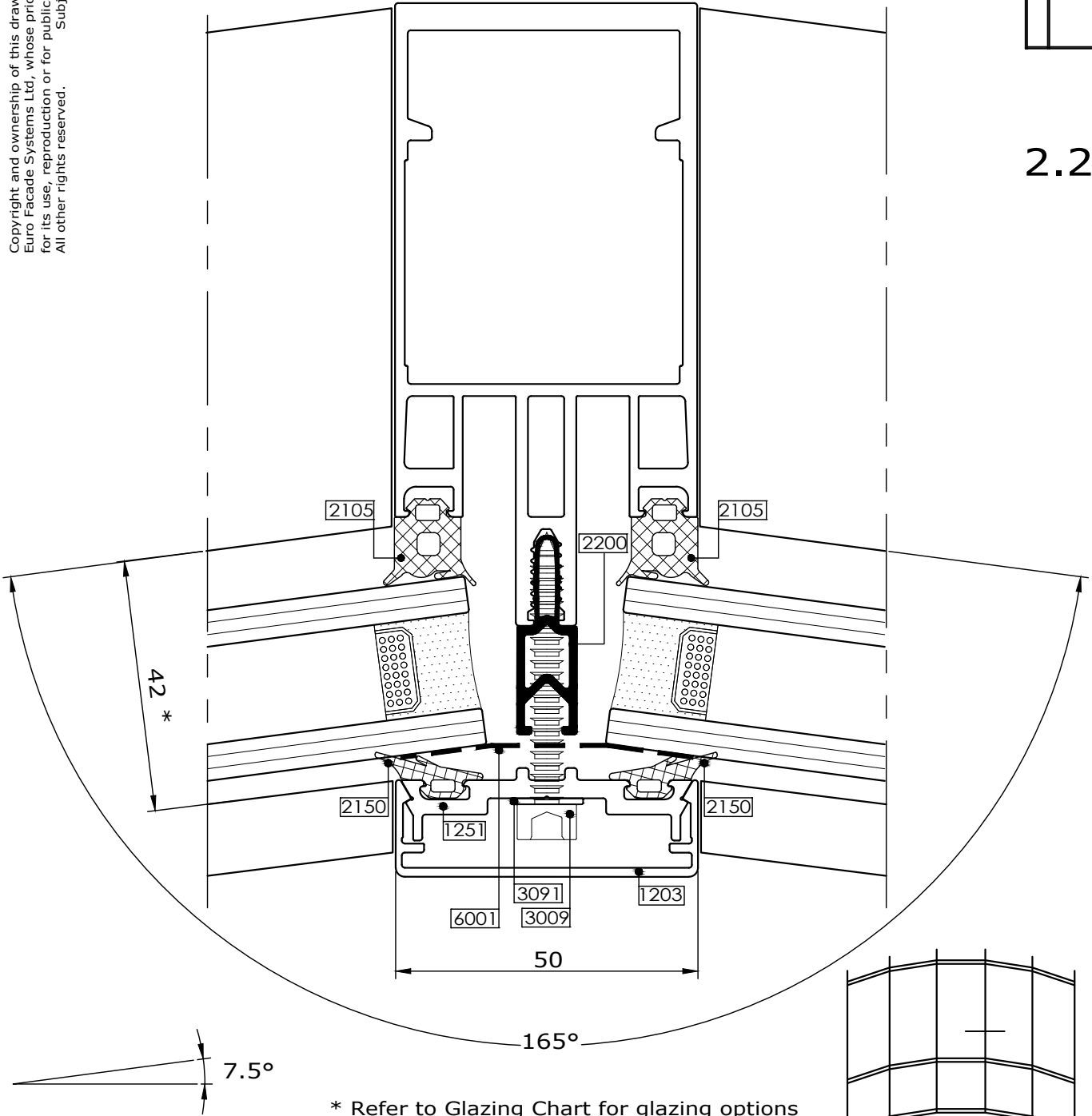
Mullion detail
Facetted facade
7.5° maximum



2.28

Fabricators Guide

Copyright and ownership of this drawing is vested in EFT, Euro Facade Systems Ltd, whose prior written consent is required for its use, reproduction or for publication to any third party. All other rights reserved.



* Refer to Glazing Chart for glazing options

Changes reserved
Sous reserve de modifications
Änderungen vorbehalten

Issue: 05
Date : 03 -17

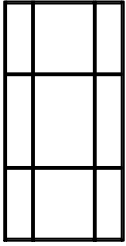


Typical detail

2

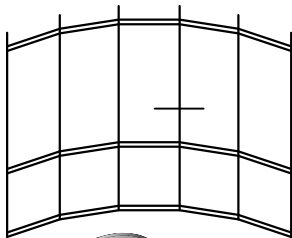
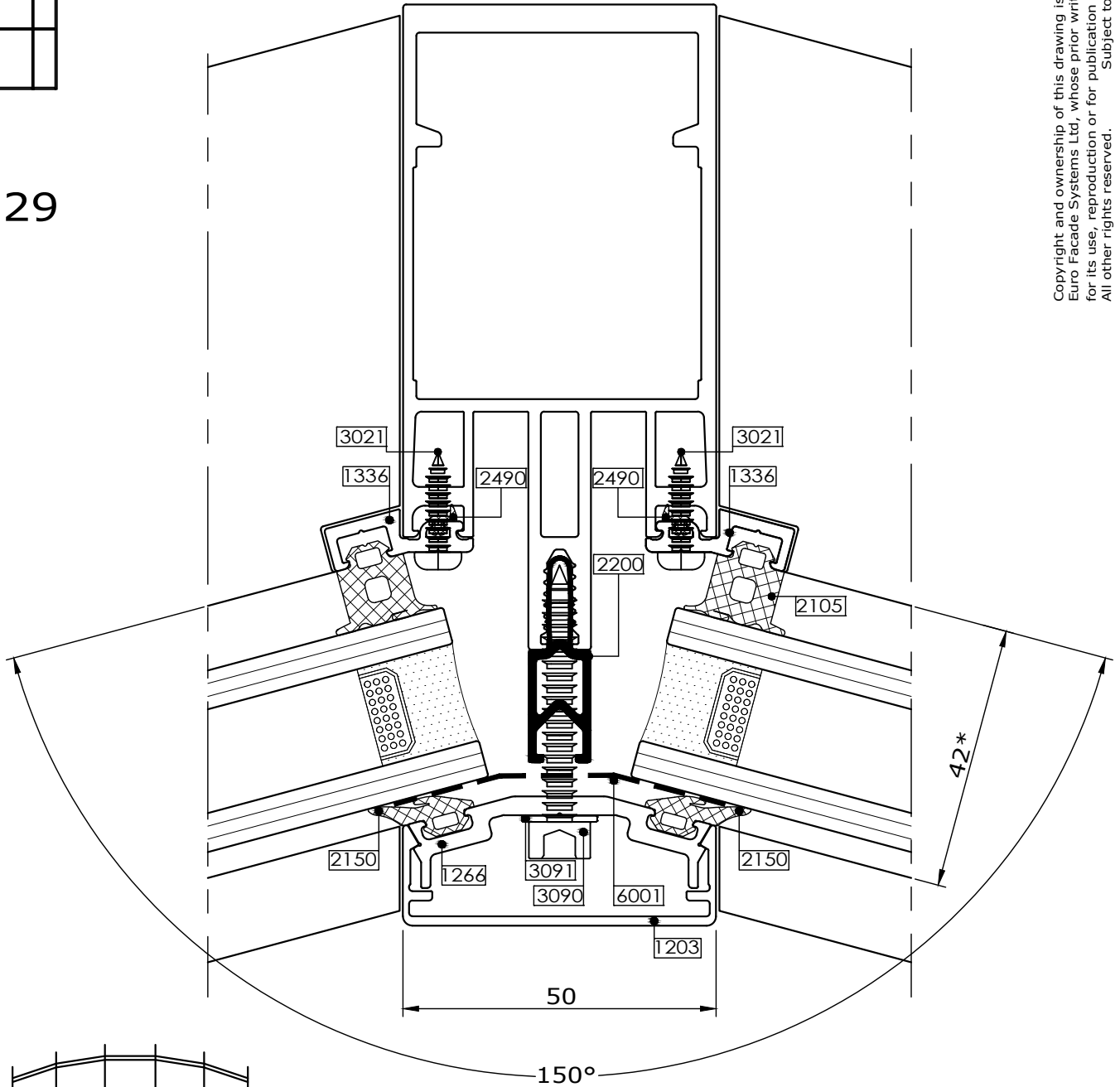
Comar 6EFT

Mullion detail
Facetted facade
15° nominal

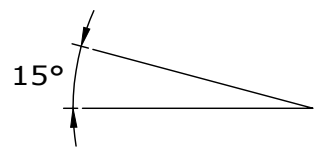


2.29

Fabricators Guide



* Refer to Glazing Chart for glazing options



Changes reserved
Sous reserve de modifications
Änderungen vorbehalten

Issue: 05
Date : 03 -17

Copyright and ownership of this drawing is vested in EFT, Euro Facade Systems Ltd, whose prior written consent is required for its use, reproduction or for publication to any third party. All other rights reserved. Subject to modifications.

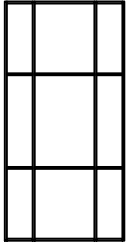
Copyright and ownership of this drawing is vested in EFT, Euro Facade Systems Ltd, whose prior written consent is required for its use, reproduction or for publication to any third party. All other rights reserved. Subject to modifications.

Mullion detail
Facetted facade
22.5° nominal

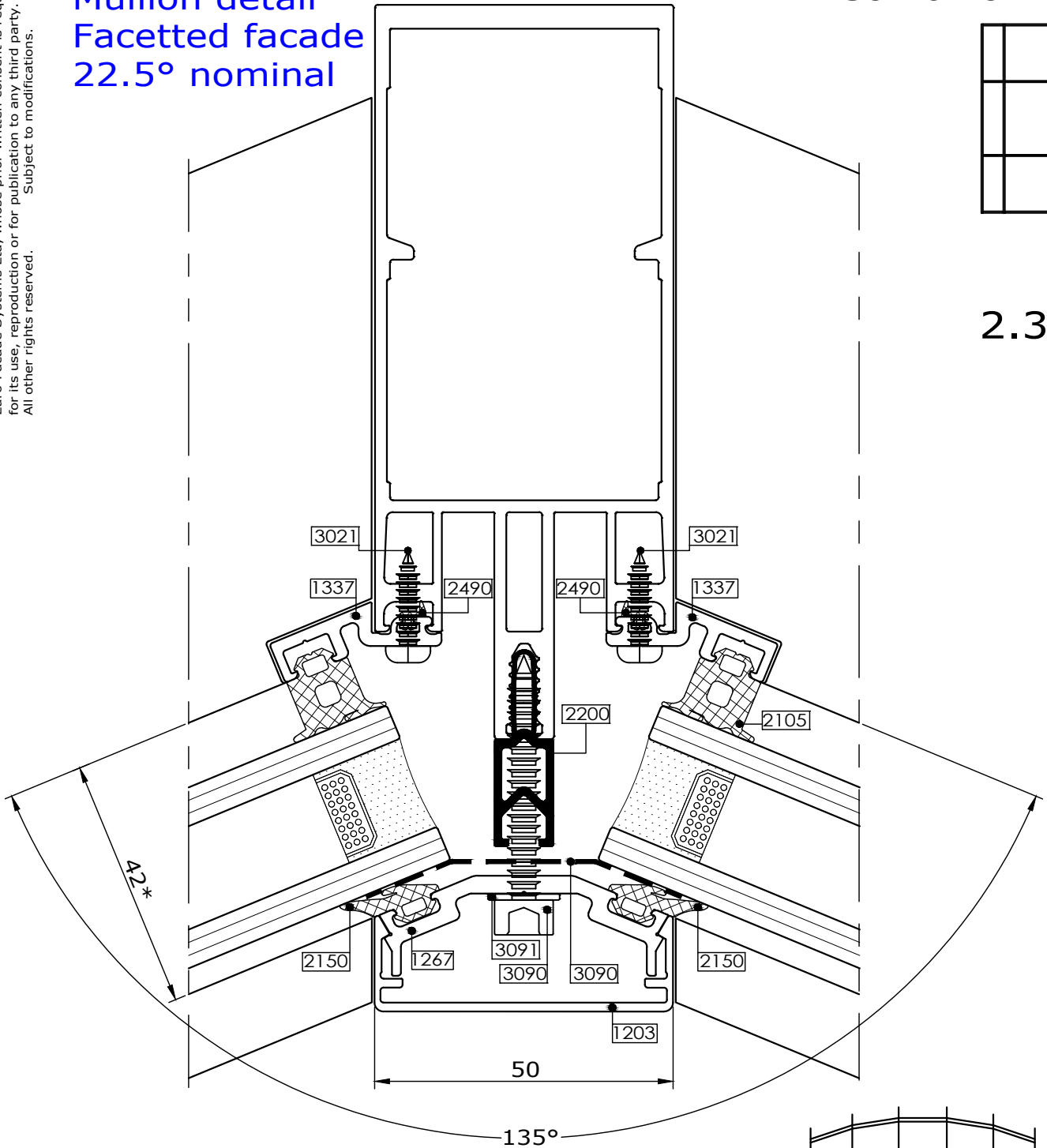
2

Typical detail

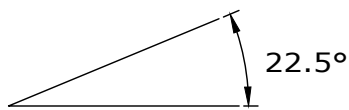
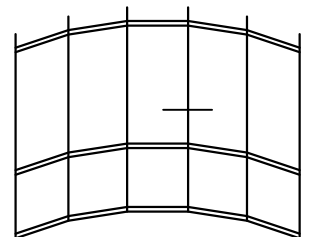
Comar 6EFT



2.30



Fabricators Guide



* Refer to Glazing Chart for glazing options

Changes reserved
Sous reserve de modifications
Änderungen vorbehalten

Issue: 05
Date : 10 -16

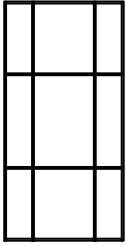


Typical detail

2

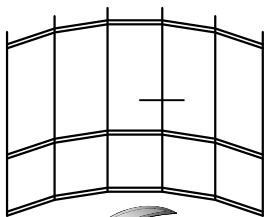
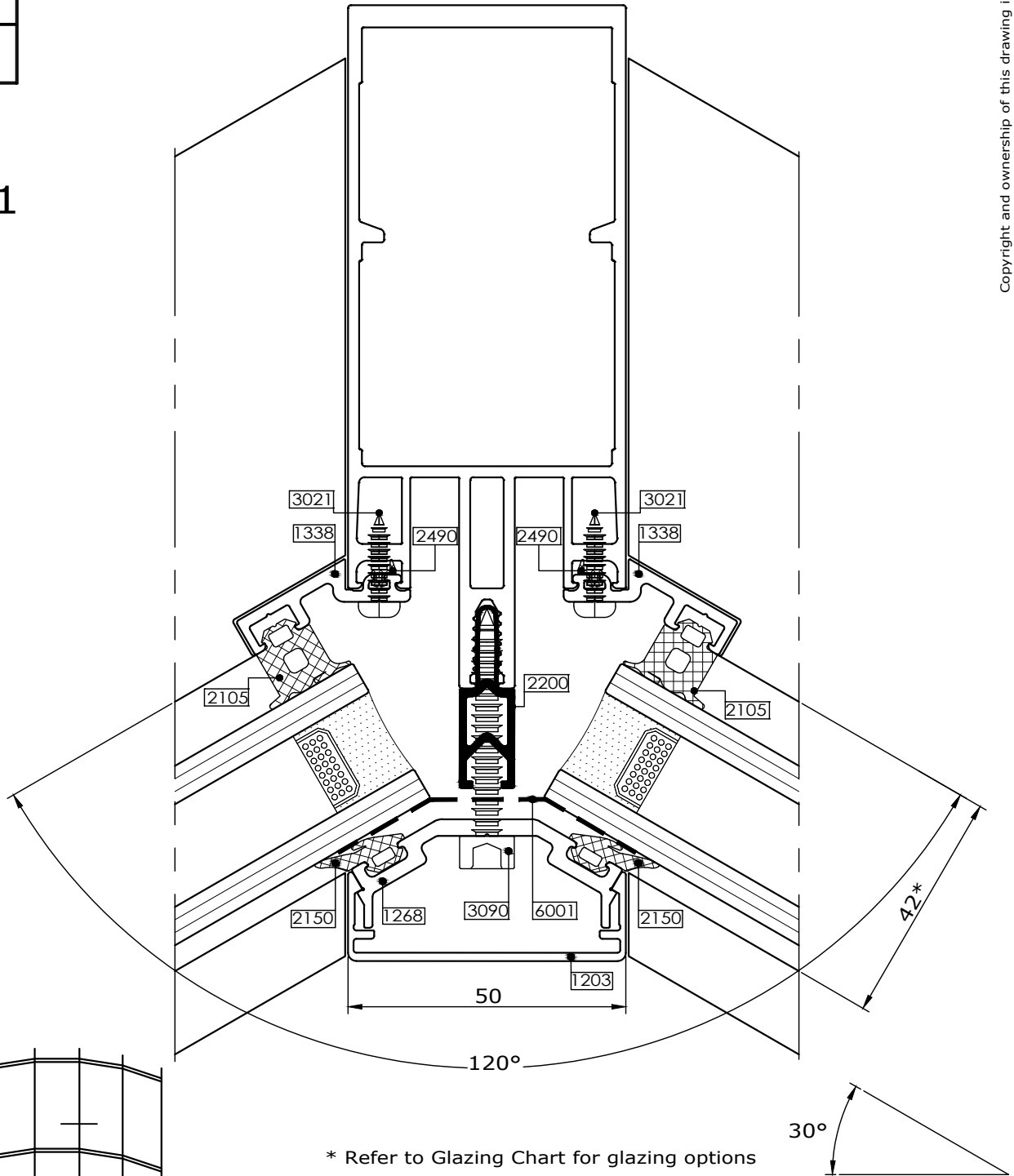
Comar 6EFT

Mullion detail
Facetted facade
30° nominal



2.31

Fabricators Guide



comar
ARCHITECTURAL ALUMINIUM SYSTEMS

Changes reserved
Sous reserve de modifications
Änderungen vorbehalten

Issue: 05
Date : 10 -16

Copyright and ownership of this drawing is vested in EFT,
Euro Facade Systems Ltd, whose prior written consent is required
for its use, reproduction or for publication to any third party.
All other rights reserved. Subject to modifications.

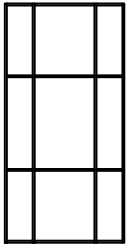
Copyright and ownership of this drawing is vested in EFT, Euro Facade Systems Ltd, whose prior written consent is required for its use, reproduction or for publication to any third party. All other rights reserved. Subject to modifications.

Mullion detail
Facetted facade
37.5° nominal

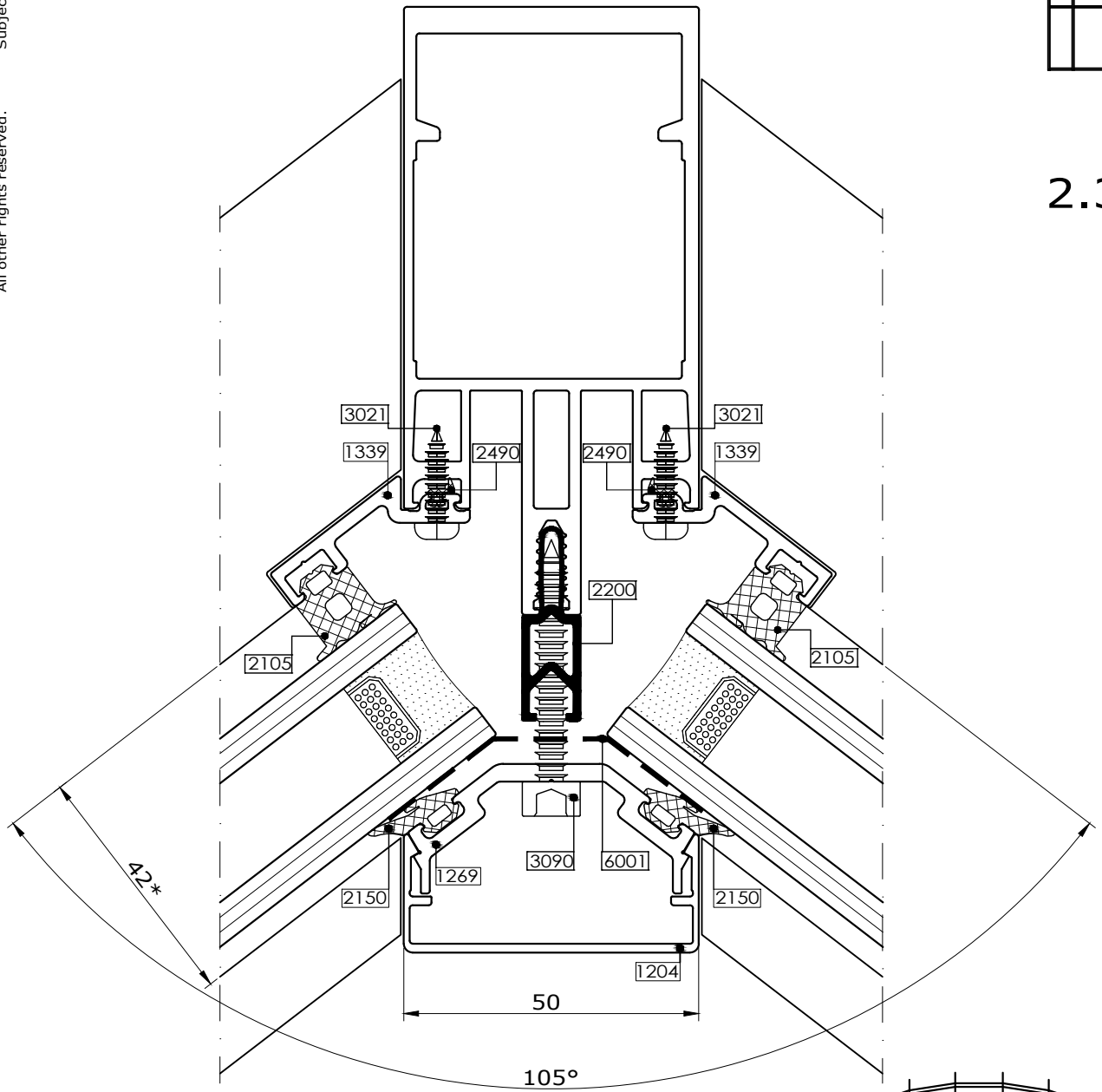
2

Typical detail

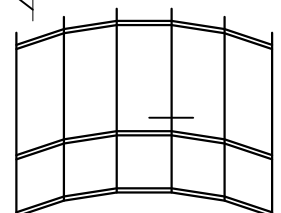
Comar 6EFT



2.32



Fabricators Guide



Changes reserved
Sous reserve de modifications
Änderungen vorbehalten

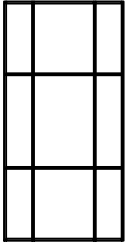
Issue: 05
Date : 03 -17

Typical detail

2

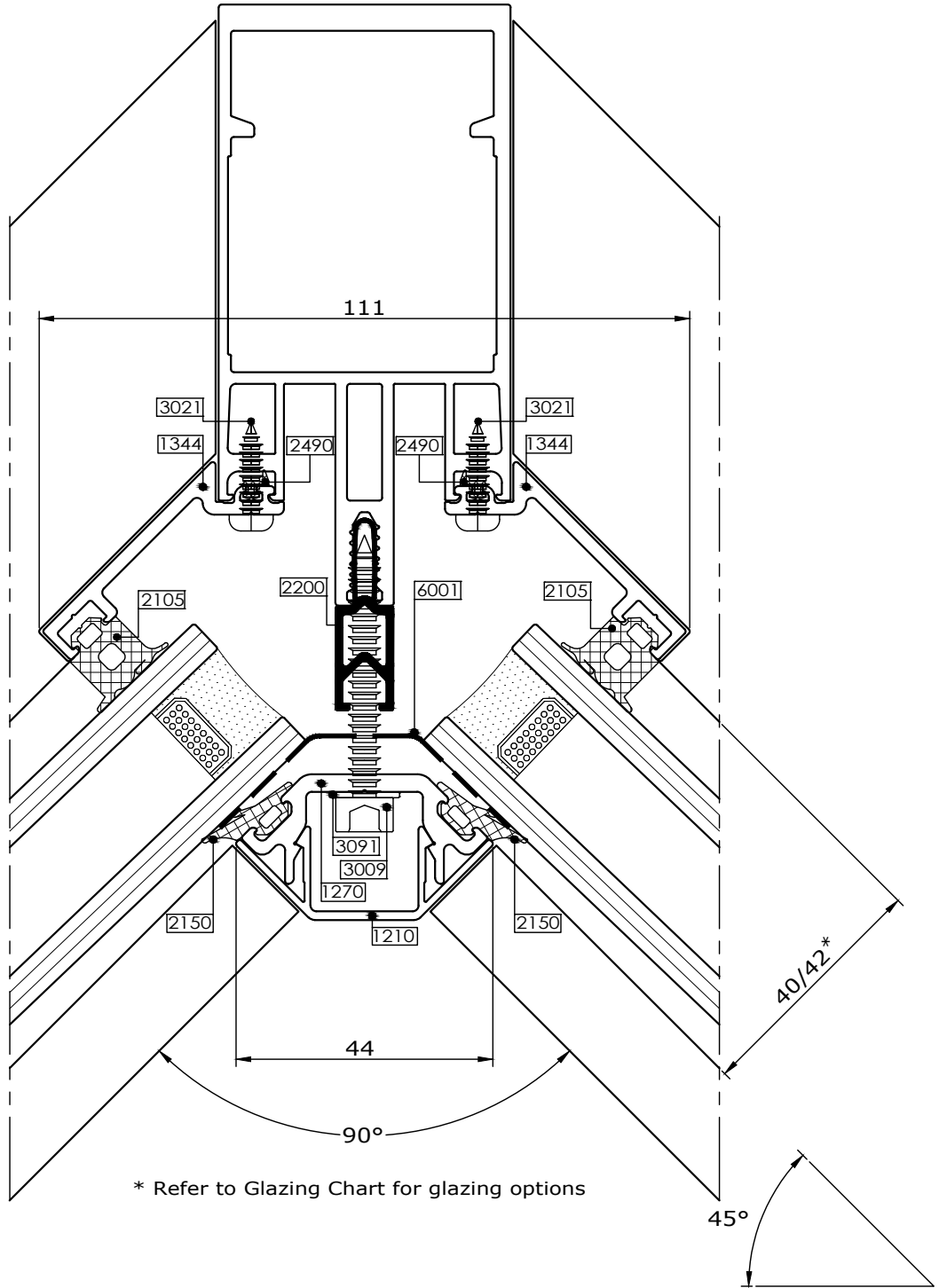
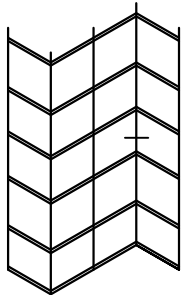
Comar 6EFT

Mullion detail
Facetted facade
45° nominal



2.33

Fabricators Guide



* Refer to Glazing Chart for glazing options

45°

Copyright and ownership of this drawing is vested in EFT, Euro Facade Systems Ltd, whose prior written consent is required for its use, reproduction or for publication to any third party. All other rights reserved. Subject to modifications.



comar
ARCHITECTURAL ALUMINIUM SYSTEMS

Changes reserved
Sous reserve de modifications
Änderungen vorbehalten

Issue: 05
Date : 03 -17

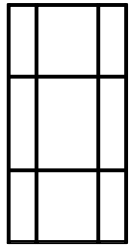
Copyright and ownership of this drawing is vested in EFT, Euro Facade Systems Ltd, whose prior written consent is required for its use, reproduction or for publication to any third party. All other rights reserved. Subject to modifications.

Mullion detail
Facetted facade
45° corner

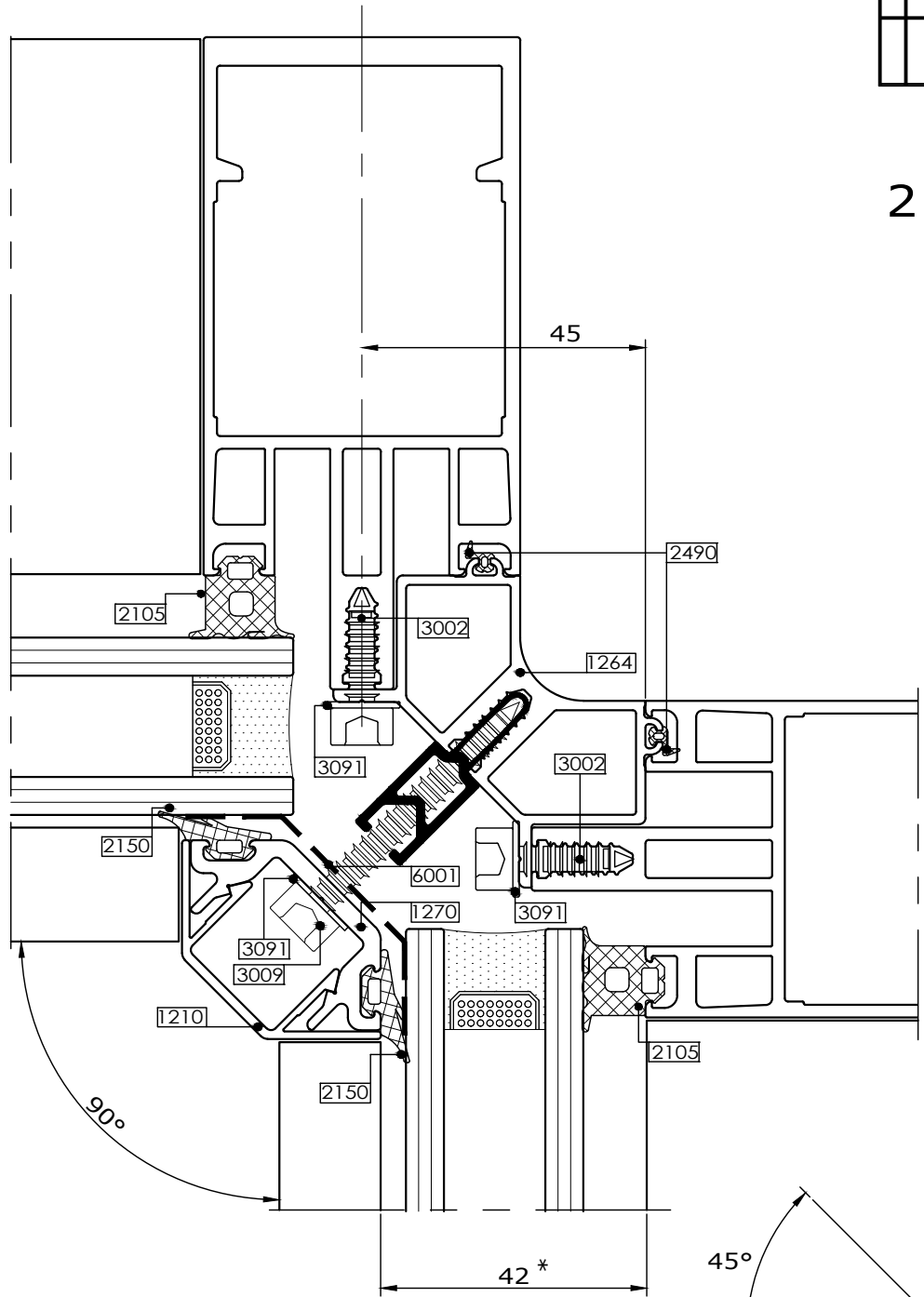
2

Typical detail

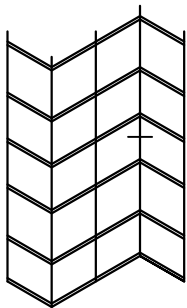
Comar 6EFT



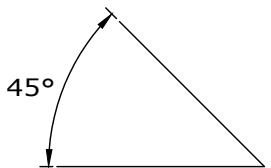
2.34



Fabricators Guide



* Refer to Glazing Chart for glazing options



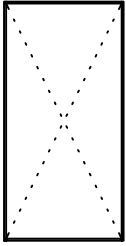
Changes reserved
Sous reserve de modifications
Änderungen vorbehalten

Issue: 05
Date : 03 -17



Comar 6EFT

Future Additions



2.35

Fabricators Guide

FUTURE ADDITION

Copyright and ownership of this drawing is vested in EFT, Euro Facade Systems Ltd, whose prior written consent is required for its use, reproduction or for publication to any third party. All other rights reserved. Subject to modifications.

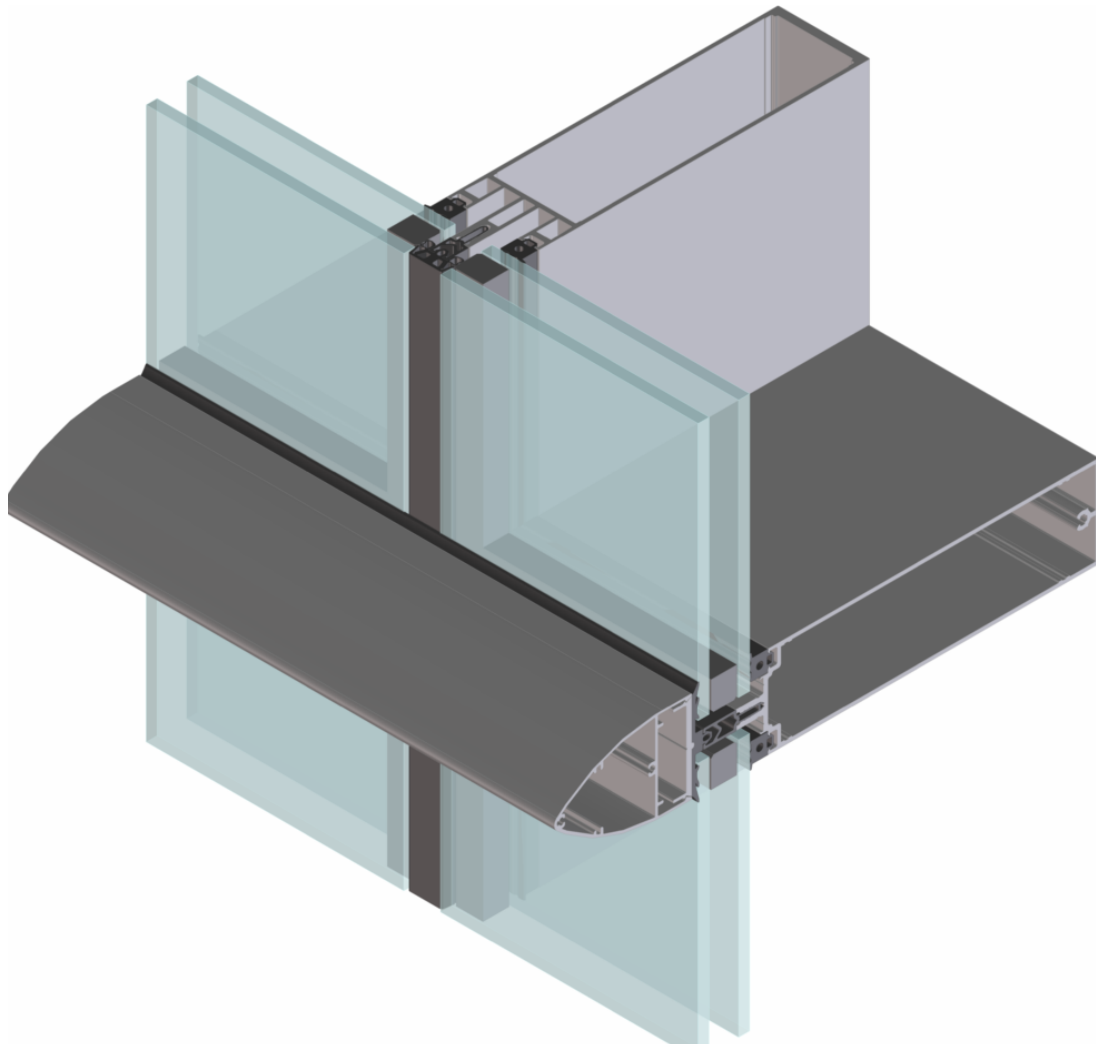
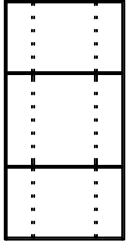
Copyright and ownership of this drawing is vested in EFT,
Euro Facade Systems Ltd, whose prior written consent is required
for its use, reproduction or for publication to any third party.
All other rights reserved. Subject to modifications.

2sided SGH

2

Typical details

Comar 6EFT



Fabricators Guide

Changes reserved
Sous reserve de modifications
Änderungen vorbehalten

Issue: 05
Date: 10 -16

Introduction

Comar 6EFT 2Sided SGH

Comar 6EFT 2Sided Horizontal Curtain Wall System

enables the construction of attractive 2sided structural glazed curtain walling, with the benefits of slim vertical sightlines or, by using different horizontal cover cap design features.

This thermally insulated system consists of standard 50mm profiles, bespoke profiles are available upon request.

Specification Summary

Comar 6EFT 2Sided Horizontal Curtain Walling is a mullion drained, thermally broken curtain wall system, which consists of 50mm mullions and transoms suitable for facades.

The external vertical sightline (joint seal) is 20mm. The joint seal can be made from EPDM, compatible with most silicone sealants or this can be made out of silicone sealant.

Various cover caps are available for this system. The smallest sightline can be achieved using a 50 mm wide double chamfered cap to provide a visible front face of 16mm

Glazing

The system is externally glazed. Glazing should conform to the requirements of BS 6262 for thickness, type, wind resistance, safety and security.

Drainage

The system is mullion drained, achieved by meeting the requirements of "ventilated and drained glazing system" as specified in BS 6262

Thermal Insulation

Class 2.1 in accordance with DIN 4108 (2.0-2.8 W/m²K) or EN ISO 10077 - 1

The thermal transmittance (Uf) W/m²K, is depending on the insulator strip, calculated as per EN ISO 10077 - 1.

Comparable with class 2.1 DIN 4108 - 4 Table 3

Sound Insulation

Dependant on the glass specification, generally the curtain wall framing reduces the figure by 2dB (A).

Materials

The system is constructed from extruded aluminium profiles, using alloy 6063 complying to the requirements of BS 1474.

The thermal barrier system is achieved by means of PVC/PP extrusion

Construction

Any instructions regarding the manufacture and installation of the system must be strictly adhered to.

Weathering

Glazing vision strips are made of EPDM conforming to BS 4255 Part 1

Performance / exposure category

The system will achieve the following criteria when manufactured, installed and glazed to EFT recommended procedures, in accordance with CWCT approved testing methods.

Classification

Air permeability: BS EN 12152 - Class AE 750

Water tightness: BS EN 12154 - Class RE 750

Wind resistance: BS EN 13116 -
2400 Pa design - 3600 Pa safety

2400Pa (Pascal's) is dependant upon correct mullion and transom selection to suit span and spacing by project.

Size limitations

The size limitations of the system depends mainly on the mullion/transom members used to suit the span, spacing and wind/dead loads, which are specific for each individual project. Please refer to Comar's Technical Office for advise.



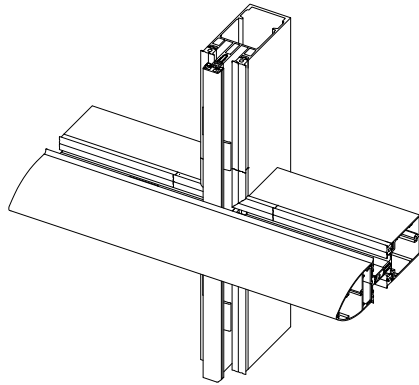
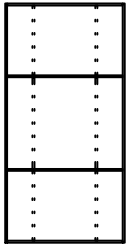
comar

ARCHITECTURAL ALUMINIUM SYSTEMS

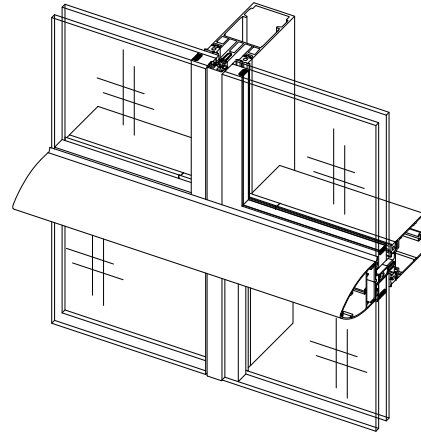
Typical details

2

Comar 6EFT



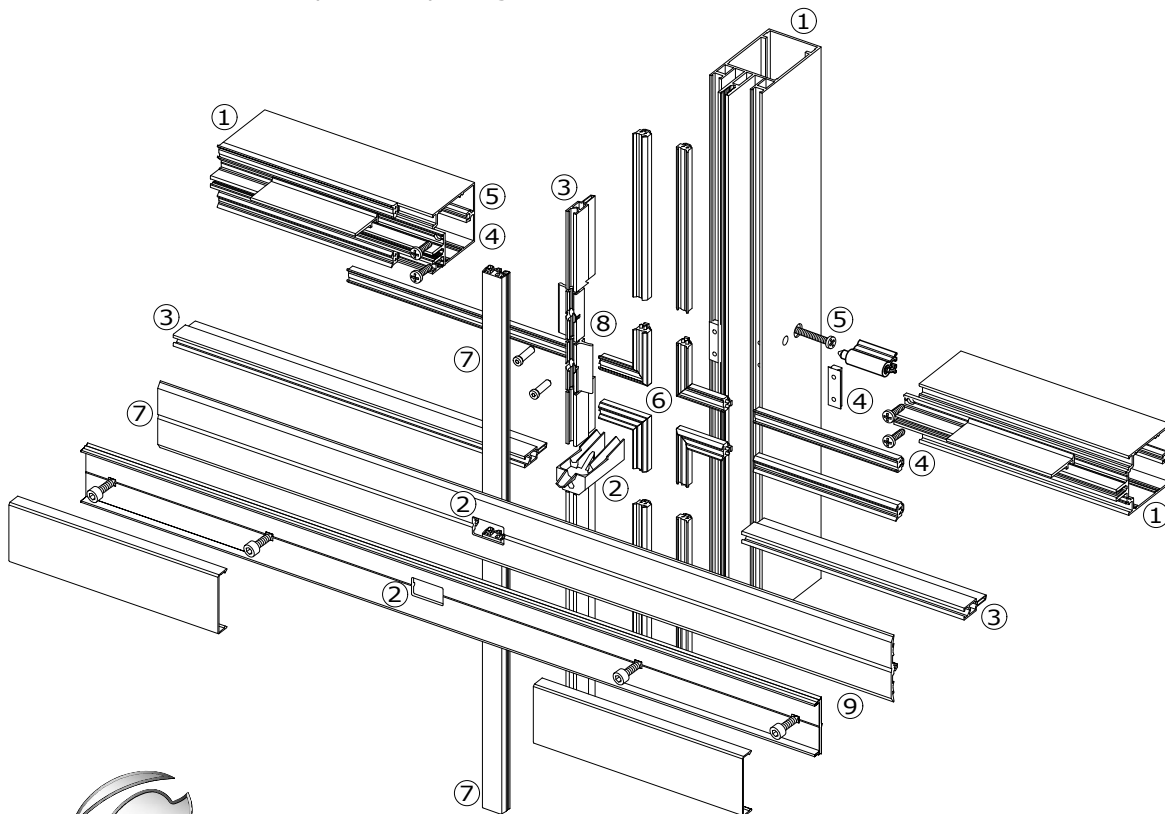
Typical Exploded Detail Horizontal cover cap (2sided SGH)



Details:

1. One substructure for all curtain wall types, Fully Capped, 2sided SGH, 2sided SGV & 4sided SG.
2. Controlled drainage system (mullion drained) drainage diverter/cover.
3. Thermally broken.
4. Mullion-Transom step-cut & sealed by EPDM moulding.
5. Ladder (unit) construction or stick build.
6. Moulded EPDM corners available.
7. Continuous pressure plate gasket.
8. Glazing clamping system into DG unit.
9. Continuous pressure plate gasket.

Fabrications Guide



comar
ARCHITECTURAL ALUMINIUM SYSTEMS

Changes reserved
Sous reserve de modifications
Änderungen vorbehalten

Issue: 05
Date: 10 -16

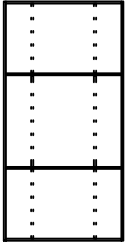
Copyright and ownership of this drawing is vested in EFT, Euro Facade Systems Ltd, whose prior written consent is required for its use, reproduction or for publication to any third party. All other rights reserved.

2sided SGH

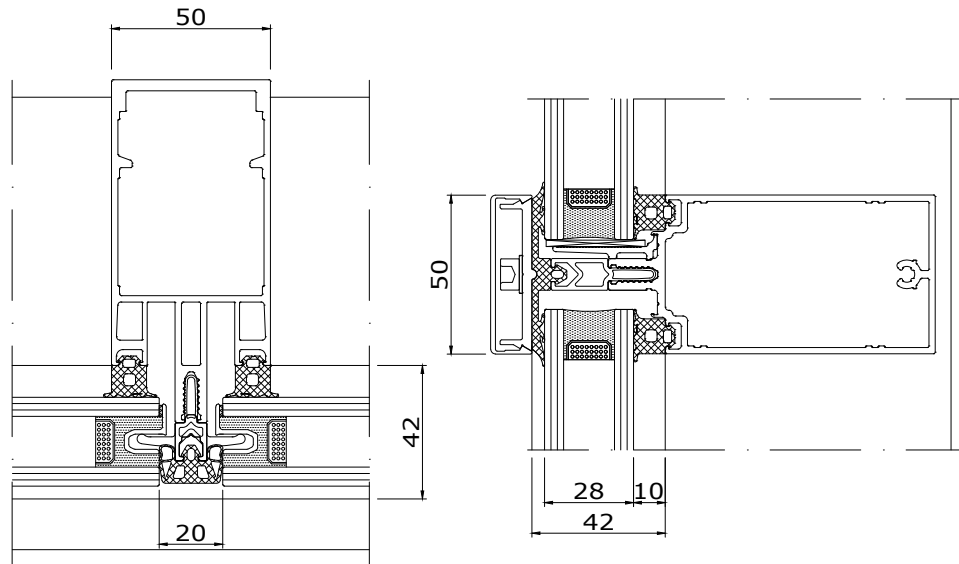
2

Typical details

Comar 6EFT

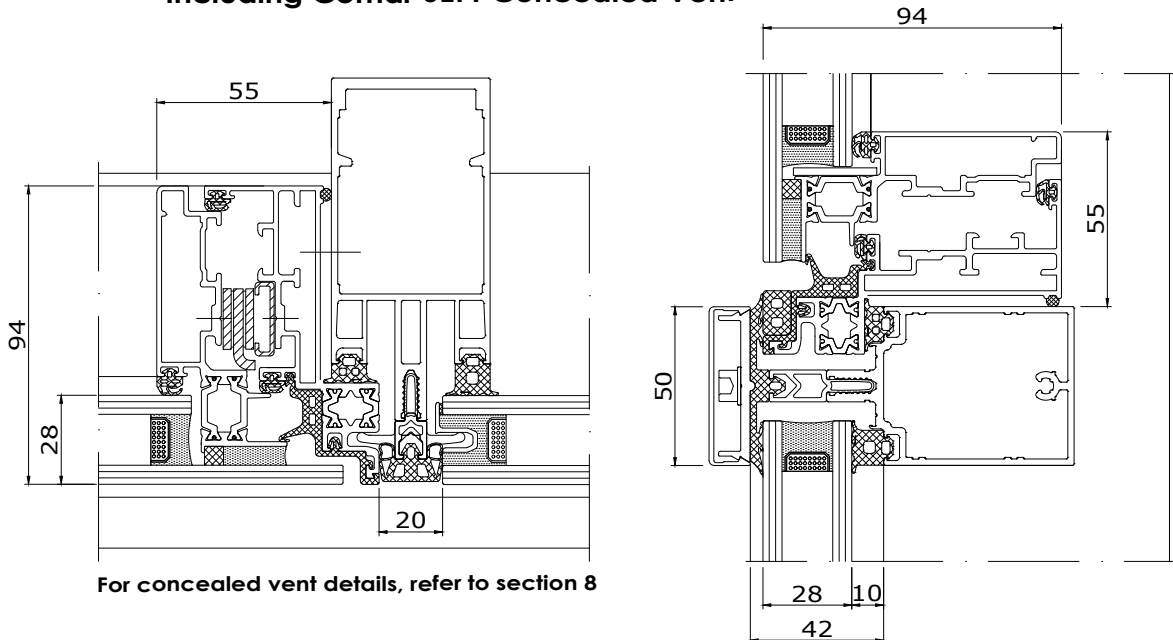


Horizontal cover cap / Vertical EPDM gasket or silicone sealant



2.36

Including Comar 6EFT Concealed Vent



For concealed vent details, refer to section 8

Fabricators Guide

Changes reserved
 Sous reserve de modifications
 Änderungen vorbehalten

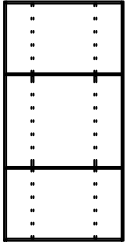
Issue: 05
 Date: 10 -16

Typical details

2

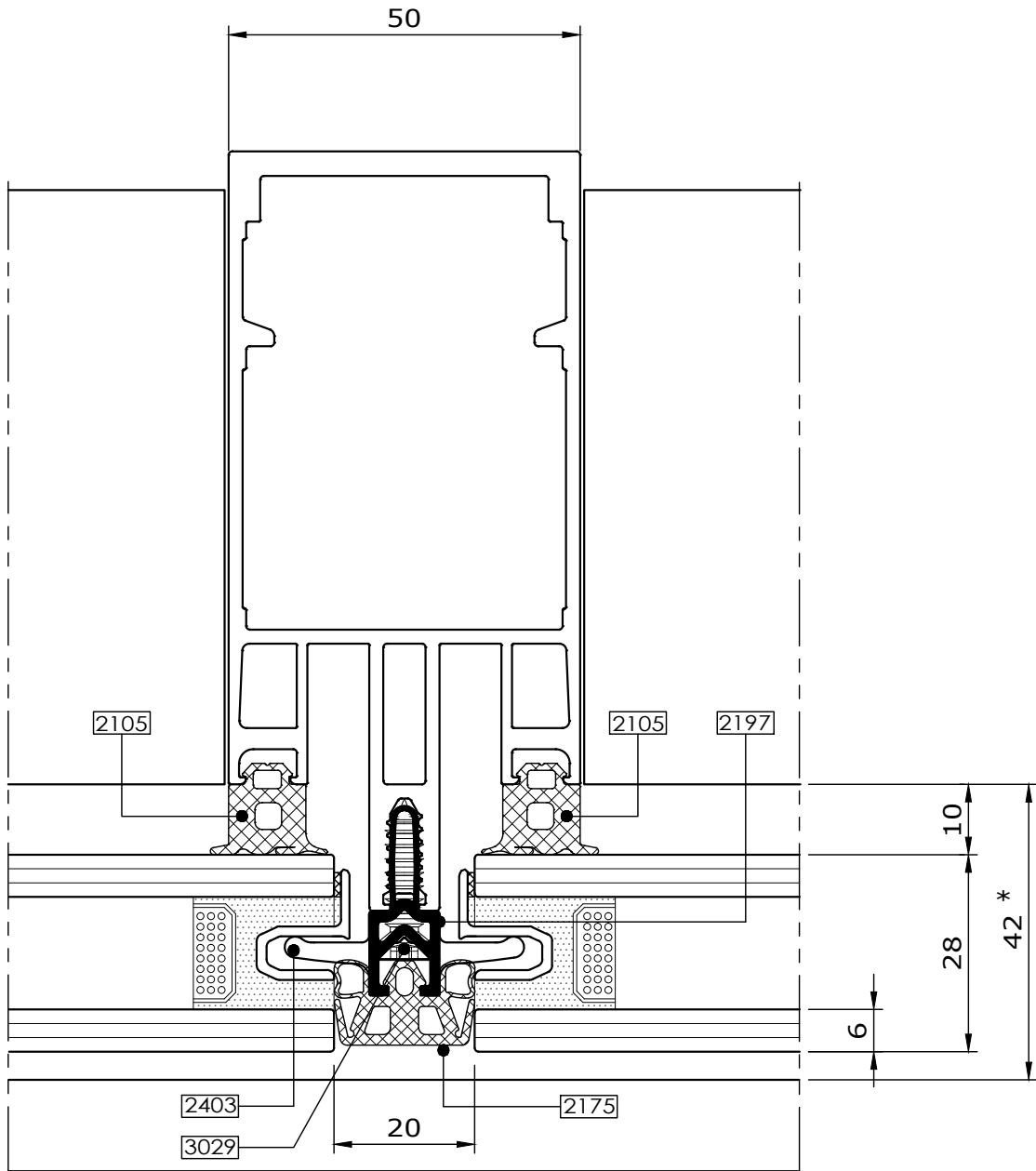
Comar 6EFT

Mullion detail Gasket seal



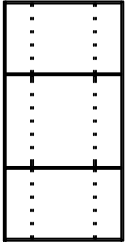
2.37

Fabricators Guide



* Refer to Glazing Chart for glazing options

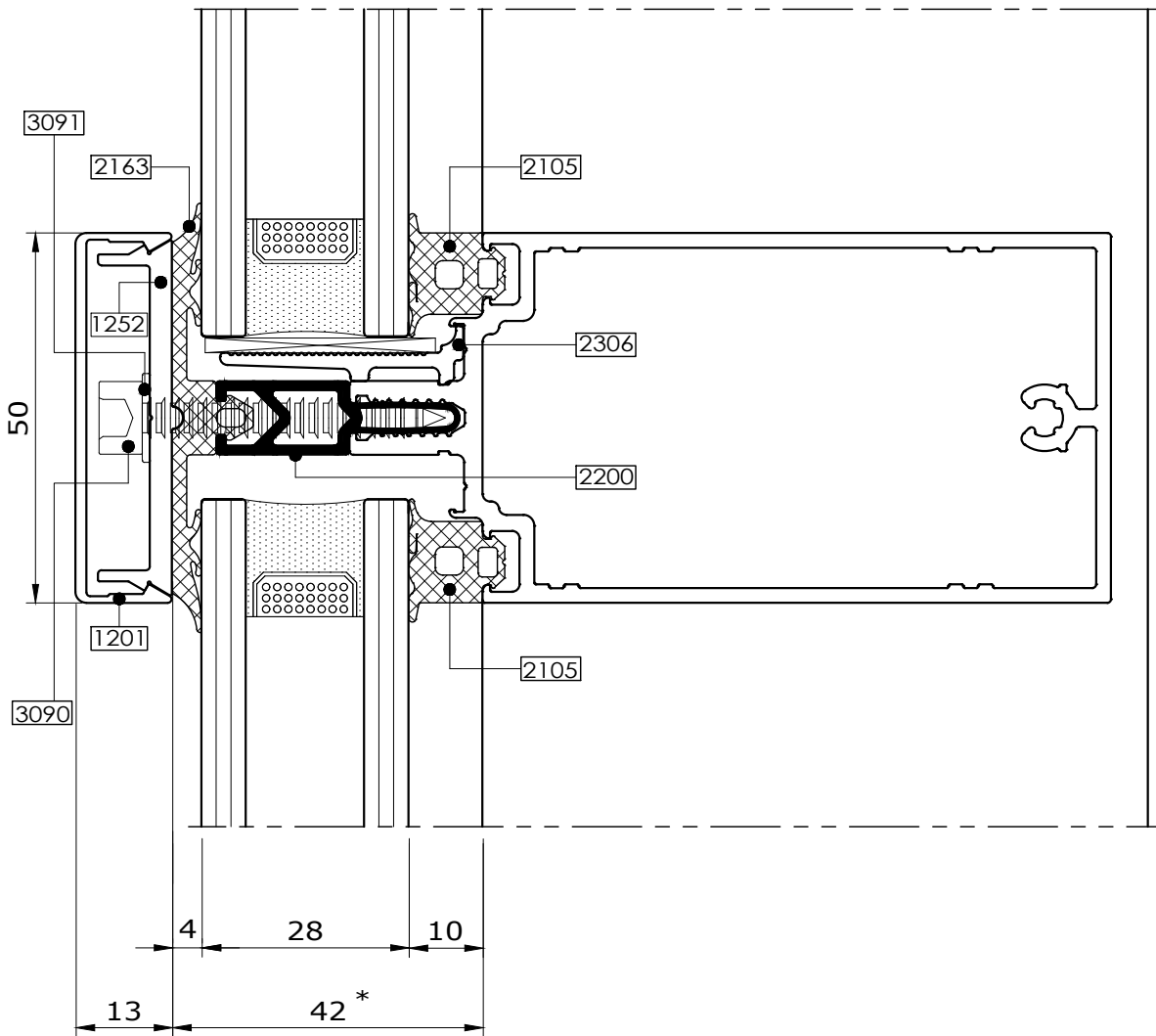
Transom detail



2.38

Fabricators Guide

Copyright and ownership of this drawing is vested in EFT, Euro Facade Systems Ltd, whose prior written consent is required for its use, reproduction or for publication to any third party. All other rights reserved. Subject to modifications.



* Refer to Glazing Chart for glazing options

Changes reserved
 Sous reserve de modifications
 Änderungen vorbehalten

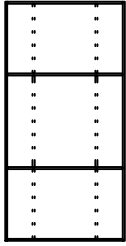
Issue: 05
 Date: 10 -16

Typical details

2

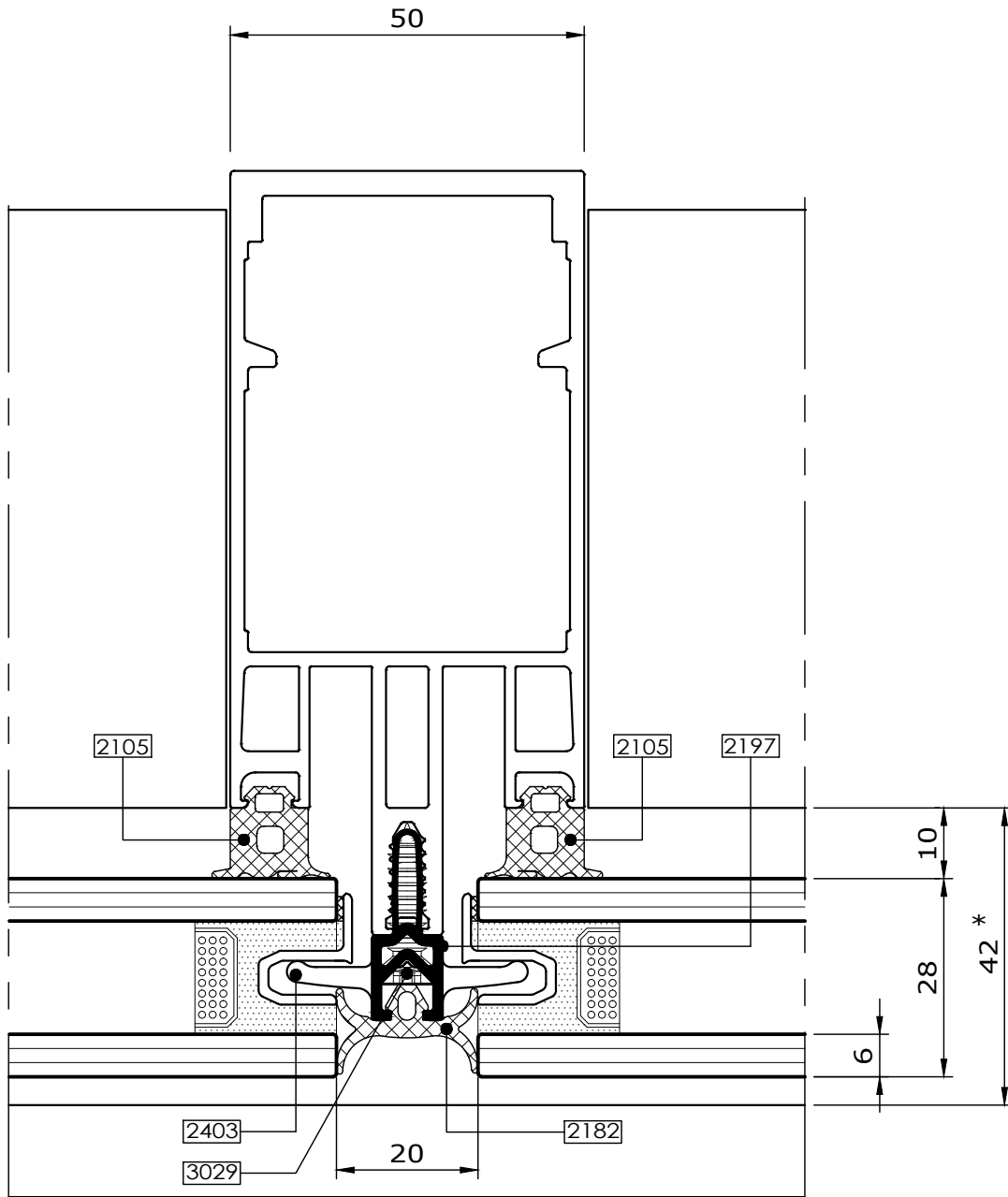
Comar 6EFT

Mullion Detail Gasket seal



2.38.1

Fabricators Guide



* Refer to Glazing Chart for glazing options

Copyright and ownership of this drawing is vested in EFT, Euro Facade Systems Ltd, whose prior written consent is required for its use, reproduction or for publication to any third party. All other rights reserved. Subject to modifications.



comar
ARCHITECTURAL ALUMINIUM SYSTEMS

Changes reserved
Sous reserve de modifications
Änderungen vorbehalten

Issue: 05
Date: 10 -16

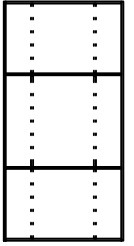
Copyright and ownership of this drawing is vested in EFT, Euro Facade Systems Ltd, whose prior written consent is required for its use, reproduction or for publication to any third party. All other rights reserved. Subject to modifications.

Mullion detail Silicone seal

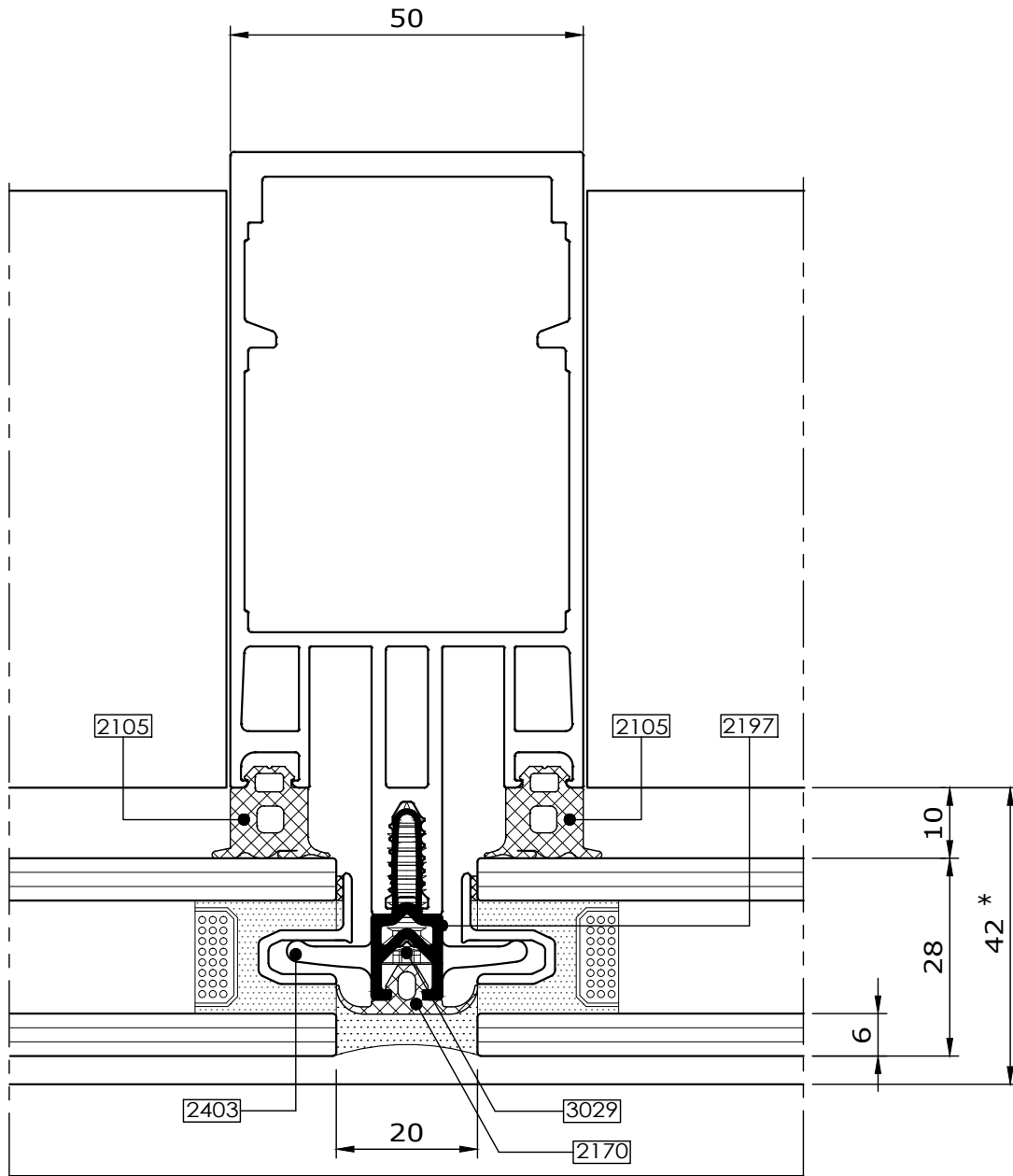
2

Typical details

Comar 6EFT



2.39



Fabrications Guide

Changes reserved
Sous reserve de modifications
Änderungen vorbehalten

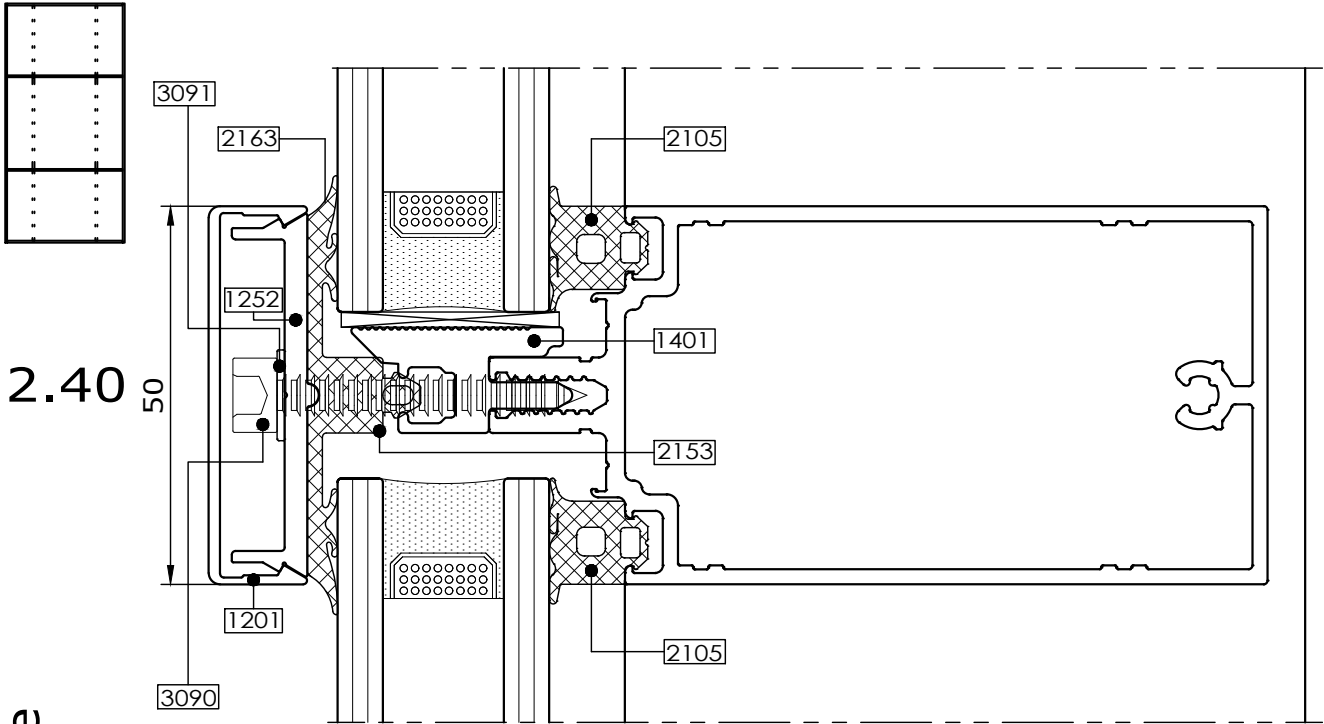
Issue: 05
Date: 10 -16

Typical details

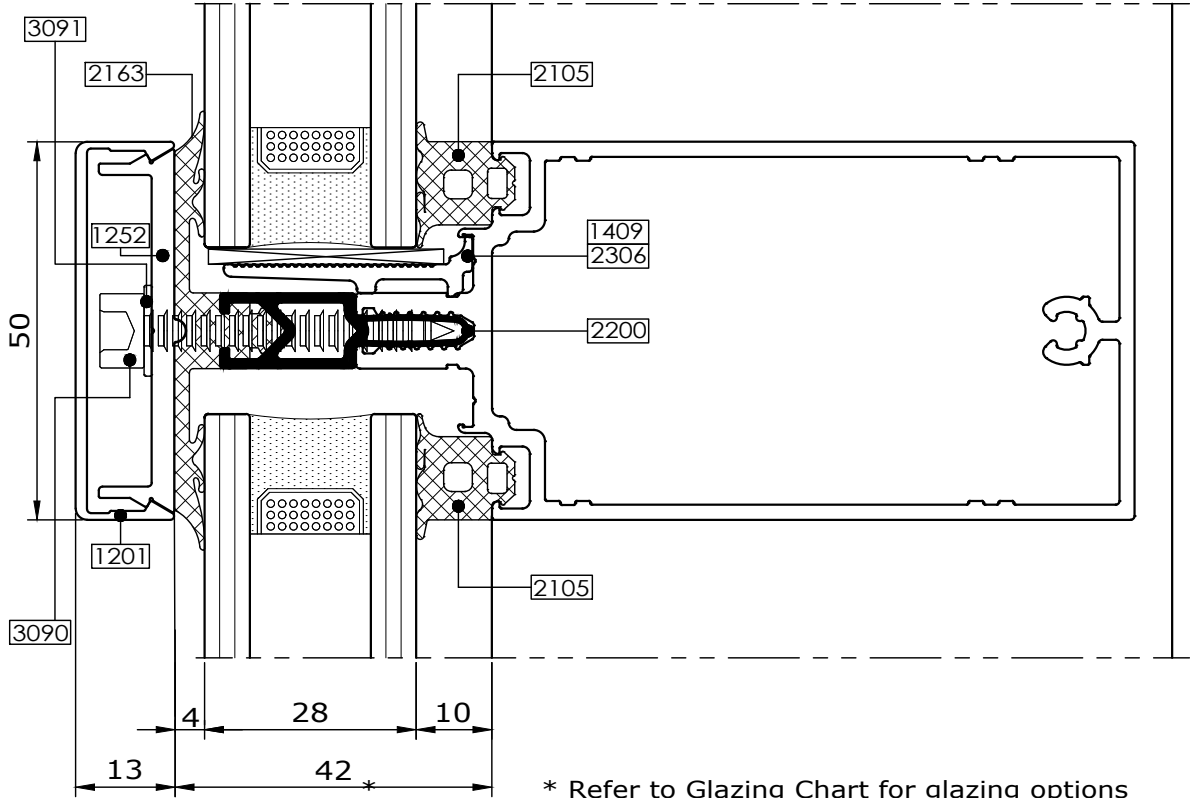
2

Comar 6EFT

Transom detail



Fabricators Guide



* Refer to Glazing Chart for glazing options

Copyright and ownership of this drawing is vested in EFT, Euro Facade Systems Ltd, whose prior written consent is required for its use, reproduction or for publication to any third party. All other rights reserved. Subject to modifications.



comar
ARCHITECTURAL ALUMINIUM SYSTEMS

Changes reserved
Sous reserve de modifications
Änderungen vorbehalten

Issue: 05
Date: 10 -16

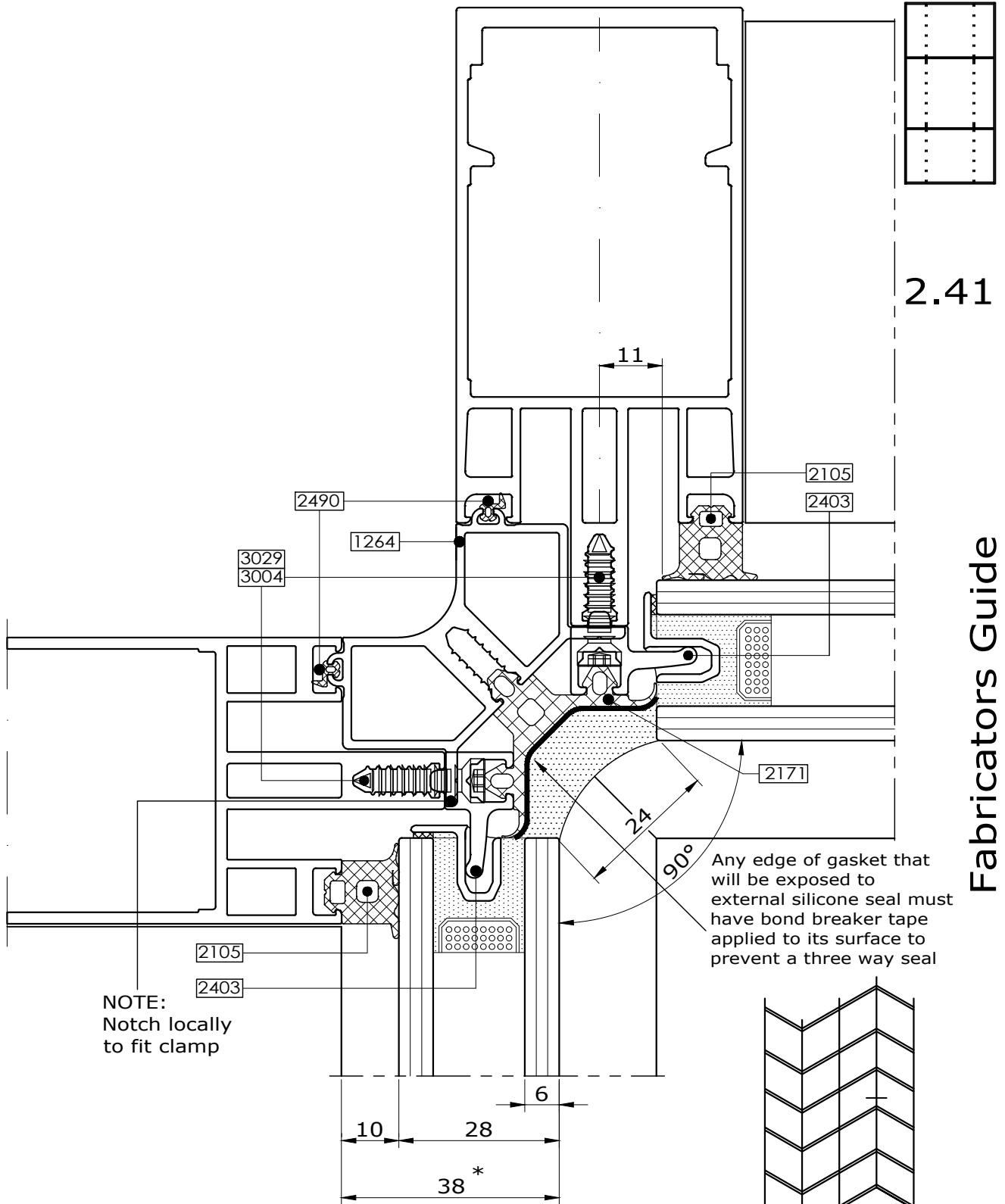
Copyright and ownership of this drawing is vested in EFT, Euro Facade Systems Ltd, whose prior written consent is required for its use, reproduction or for publication to any third party. All other rights reserved. Subject to modifications.

2

Typical details

Mullion corner detail

Comar 6EFT



Fabricators Guide

* Refer to Glazing Chart for glazing options

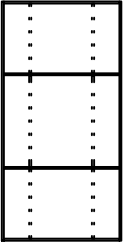
Changes reserved
 Sous reserve de modifications
 Änderungen vorbehalten

Issue: 05
 Date: 10 -16



45° mullion corner detail

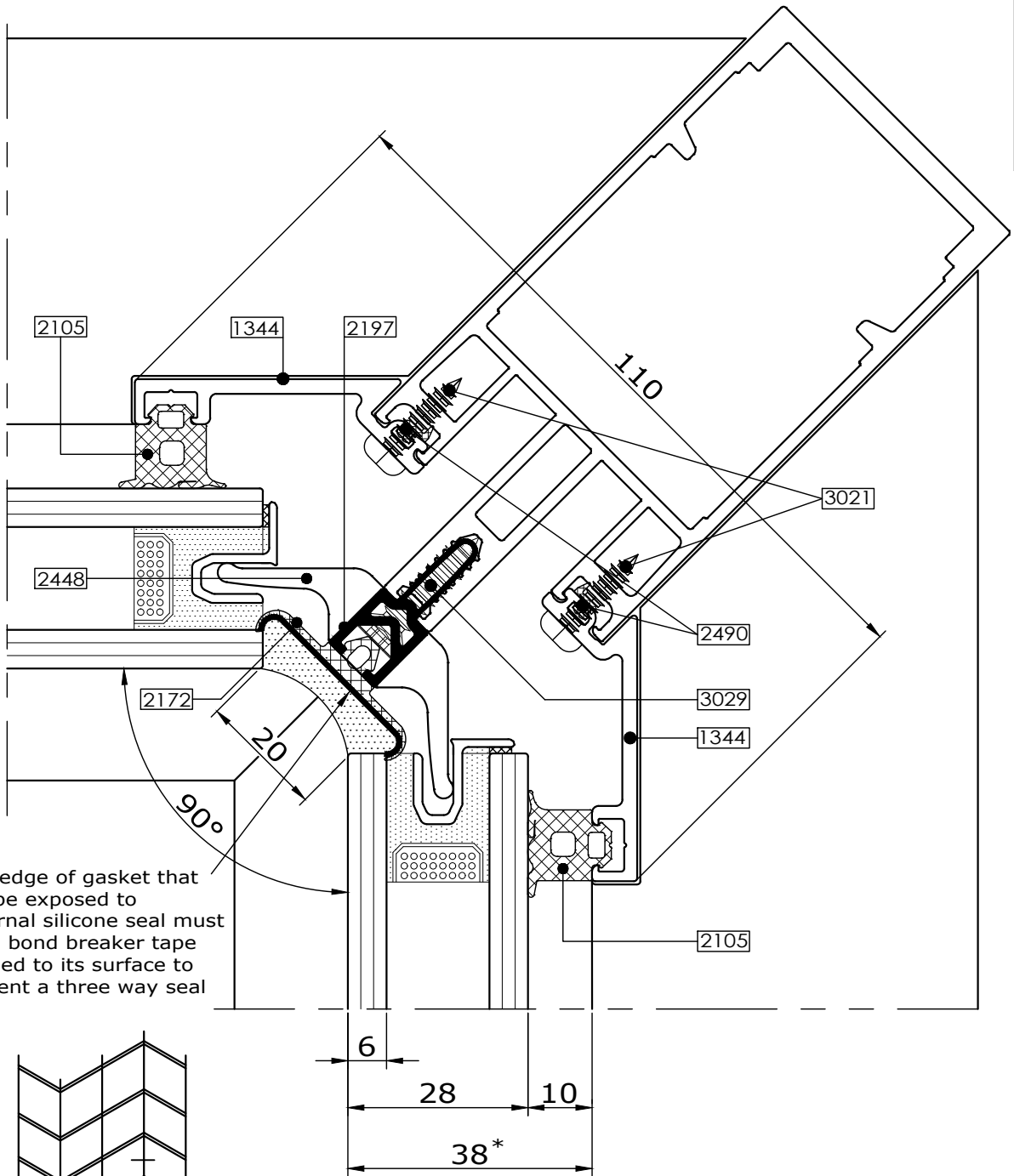
Comar 6EFT



2.42

Fabricators Guide

Copyright and ownership of this drawing is vested in EFT, Euro Facade Systems Ltd, whose prior written consent is required for its use, reproduction or for publication to any third party. All other rights reserved. Subject to modifications.



* Refer to Glazing Chart for glazing options

Changes reserved
 Sous reserve de modifications
 Änderungen vorbehalten

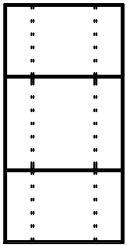
Issue: 05
 Date :10 -16

2

Typical details

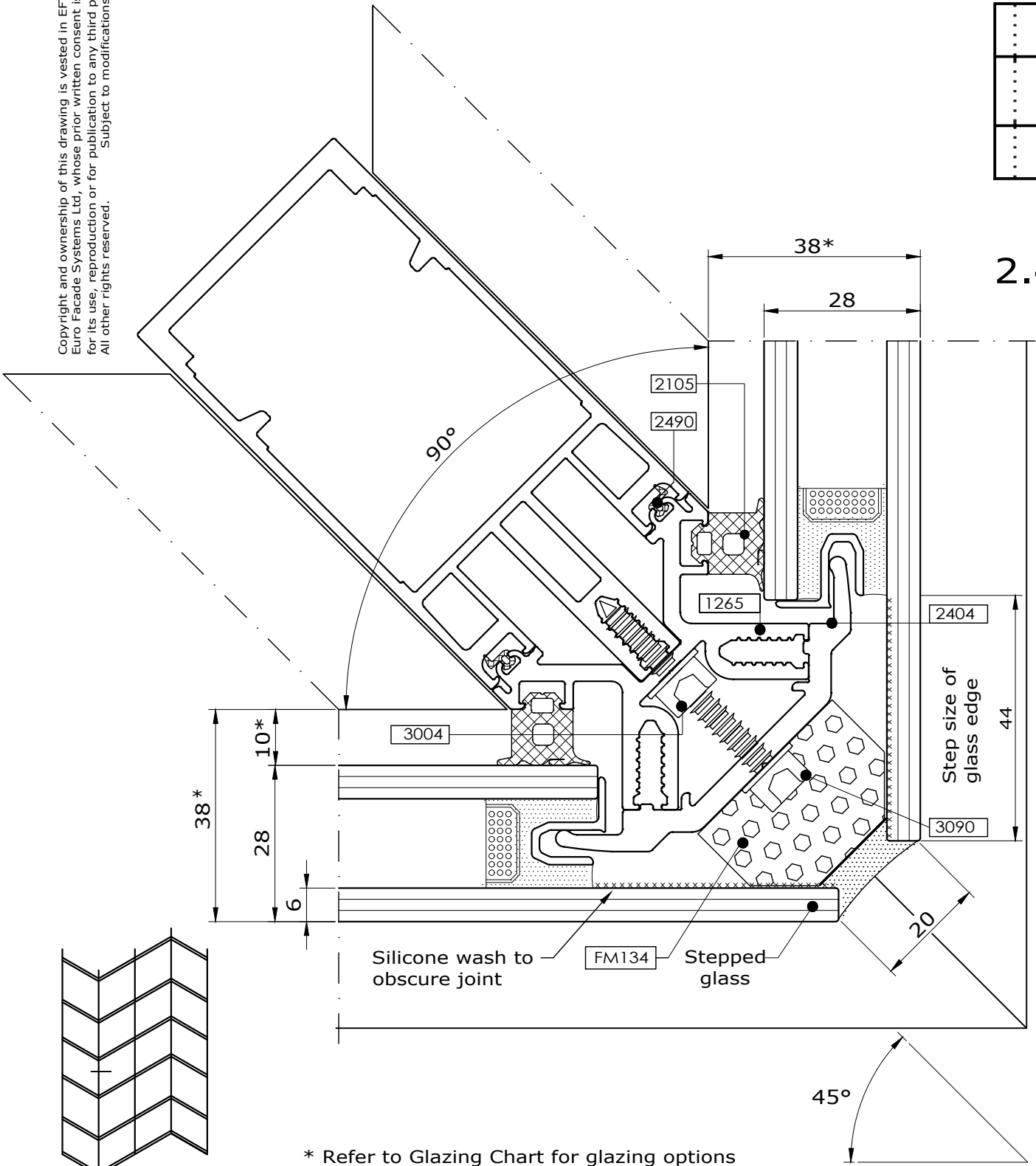
Comar 6EFT

45° corner detail

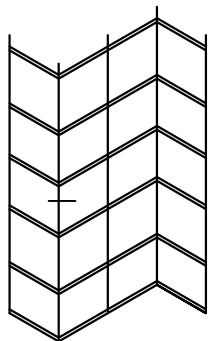


2.43

Copyright and ownership of this drawing is vested in EFT, Euro Facade Systems Ltd, whose prior written consent is required for its use, reproduction or for publication to any third party. All other rights reserved. Subject to modifications.



Fabricators Guide



Changes reserved
Sous reserve de modifications
Änderungen vorbehalten

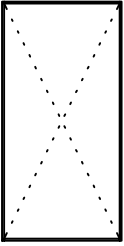
Issue: 05
Date: 10 -16



comar
ARCHITECTURAL ALUMINIUM SYSTEMS

Comar 6EFT

Future Additions



2.44

Fabricators Guide

FUTURE ADDITION

Copyright and ownership of this drawing is vested in EFT, Euro Facade Systems Ltd, whose prior written consent is required for its use, reproduction or for publication to any third party. All other rights reserved. Subject to modifications.

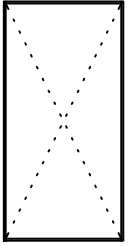
Copyright and ownership of this drawing is vested in EFT,
Euro Facade Systems Ltd, whose prior written consent is required
for its use, reproduction or for publication to any third party.
All other rights reserved. Subject to modifications.

Future Additions

2

Typical details

Comar 6EFT



2.45

FUTURE
ADDITION

Fabrications Guide

Changes reserved
Sous reserve de modifications
Änderungen vorbehalten

Issue: 05
Date: 10 -16

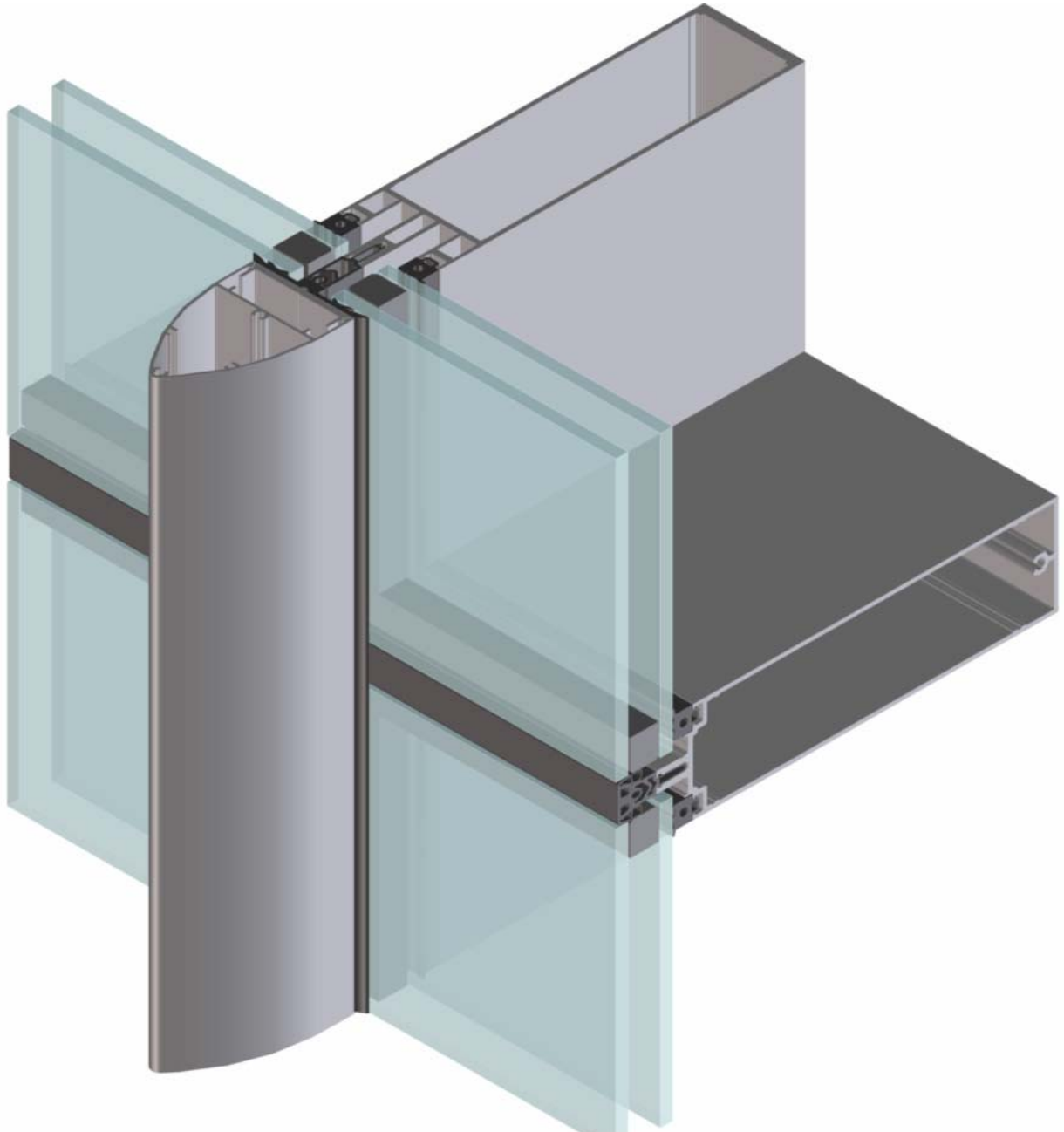
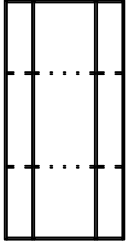
Copyright and ownership of this drawing is vested in EFT,
Euro Facade Systems Ltd, whose prior written consent is required
for its use, reproduction or for publication to any third party.
All other rights reserved. Subject to modifications.

2sided SGV

2

Typical detail

Comar 6EFT



Fabricators Guide

Changes reserved
Sous reserve de modifications
Änderungen vorbehalten

Issue: 05
Date: 10 -16

Introduction

Comar 6EFT 2Sided SGV

Comar 6EFT 2Sided Vertical Curtain Wall System enables the construction of attractive 2sided structural glazed curtain walling, with the benefits of slim horizontal sightlines or, by using different vertical cover cap design features.

This thermally insulated system consists of standard 50mm profiles, bespoke profiles are available upon request.

Specification Summary

Comar 6EFT 2Sided Vertical Curtain Walling is a mullion drained, thermally broken curtain wall system, which consists of 50mm mullions and transoms suitable for facades.

The external horizontal sightline (joint seal) is 20mm. The joint seal can be made from EPDM, compatible with most silicone sealants or this can be made out of silicone sealant.

Various cover caps are available for this system. The smallest sightline can be achieved using a 50 mm wide double chamfered cap to provide a visible front face of 16mm

Glazing

The system is externally glazed. Glazing should conform to the requirements of BS 6262 for thickness, type, wind resistance, safety and security.

Drainage

The system is mullion drained, achieved by meeting the requirements of "ventilated and drained glazing system" as specified in BS 6262

Thermal Insulation

Class 2.1 in accordance with DIN 4108 (2.0-2.8 W/m²K) or EN ISO 10077 - 1

The thermal transmittance (U_f) W/m²K, is depending on the insulator strip, calculated as per EN ISO 10077 - 1.

Comparable with class 2.1 DIN 4108 - 4 Table 3

Sound Insulation

Dependant on the glass specification, generally the curtain wall framing reduces the figure by 2dB (A).

Materials

The system is constructed from extruded aluminium profiles, using alloy 6063 complying to the requirements of BS 1474.

The thermal barrier system is achieved by means of PVC/PP extrusion

Construction

Any instructions regarding the manufacture and installation of the system must be strictly adhered to.

Weathering

Glazing vision strips are made of EPDM conforming to BS 4255 Part 1

Performance / exposure category

The system will achieve the following criteria when manufactured, installed and glazed to EFT recommended procedures, in accordance with CWCT approved testing methods.

Classification

Air permeability: BS EN 12152 - Class AE 750

Water tightness: BS EN 12154 - Class RE 750

Wind resistance: BS EN 13116 -
2400 Pa design - 3600 Pa safety

2400Pa (Pascal's) is dependant upon correct mullion and transom selection to suit span and spacing by project.

Size limitations

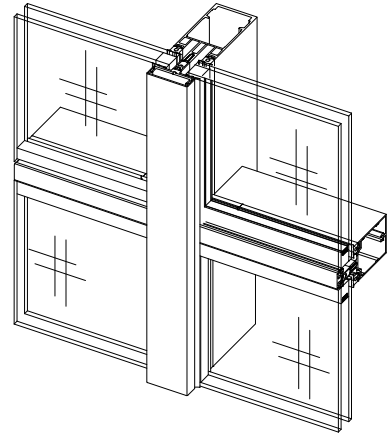
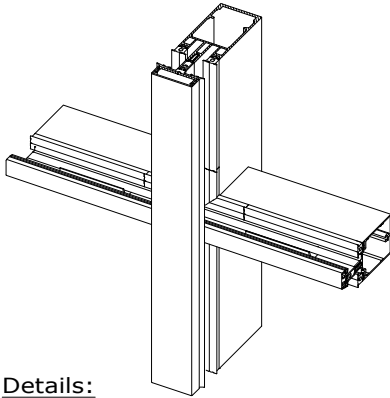
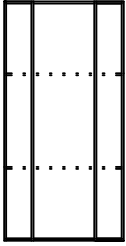
The size limitations of the system depends mainly on the mullion/transom members used to suit the span, spacing and wind/dead loads, which are specific for each individual project.

Please refer to Comar's Technical Office for advise.



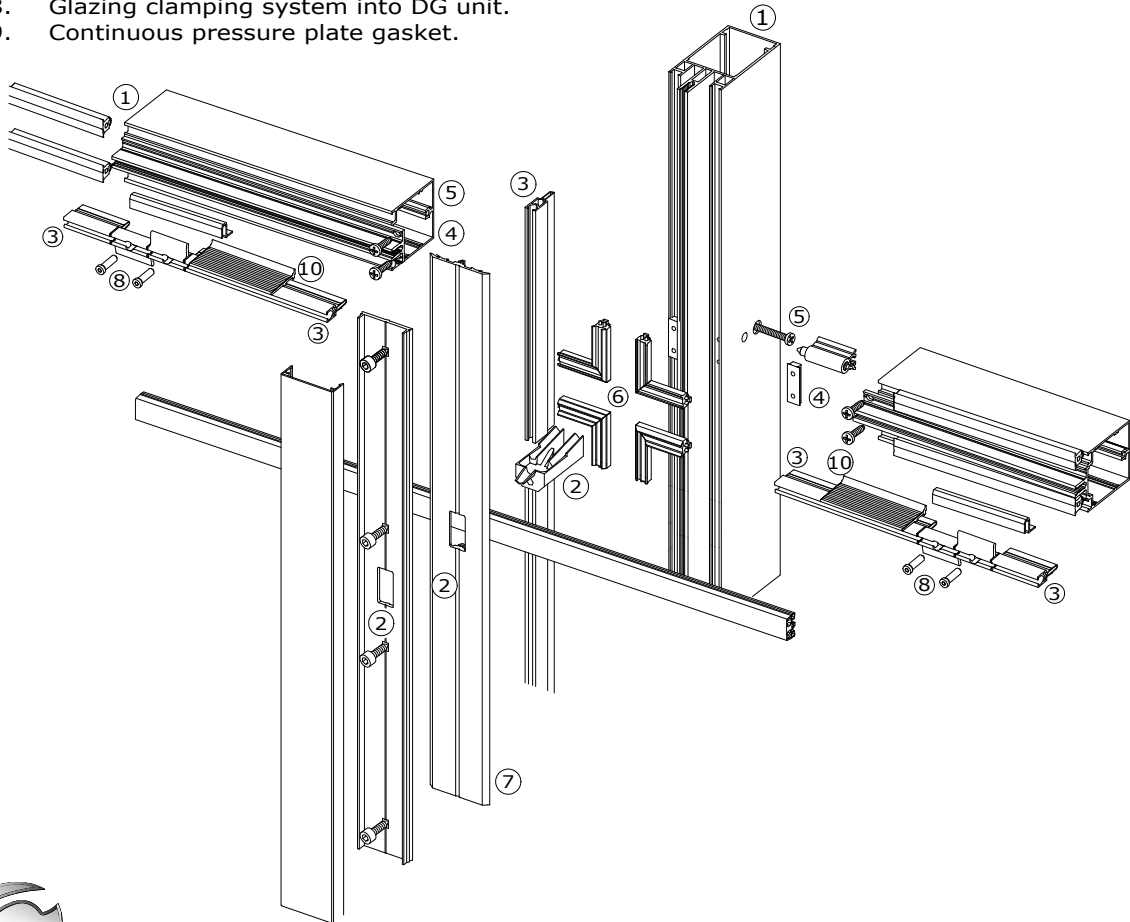
Comar 6EFT

Typical Exploded Detail
Vertical cover cap
(2sided SGV)



Details:

1. One substructure for all curtain wall types, Fully Capped, 2sided SGH, 2sided SGV & 4sided SG.
2. Controlled drainage system (mullion drained) drainage diverter/cover.
3. Thermally broken.
4. Mullion-Transom step-cut & sealed by EPDM moulding.
5. Ladder (unit) construction or stick build.
6. Moulded EPDM corners available.
7. Continuous pressure plate gasket.
8. Glazing clamping system into DG unit.
9. Continuous pressure plate gasket.



Fabricators Guide

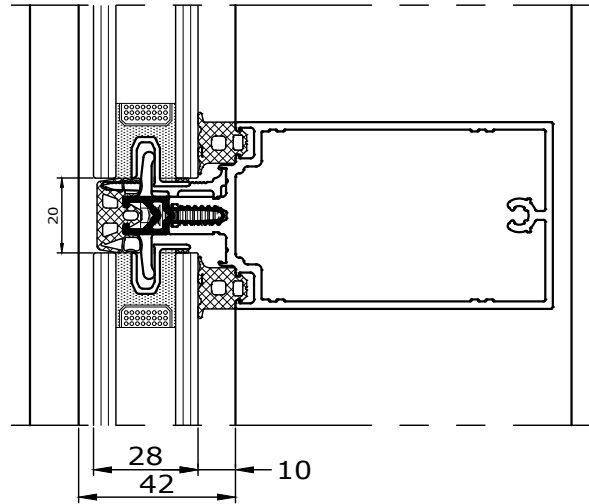
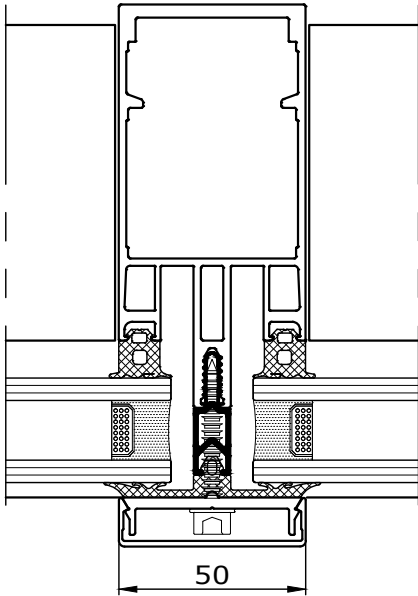
Copyright and ownership of this drawing is vested in EFT, Euro Facade Systems Ltd, whose prior written consent is required for its use, reproduction or for publication to any third party. All other rights reserved. Subject to modifications.



Two sided structural glazing with vertical cover cap (2sided SGV)

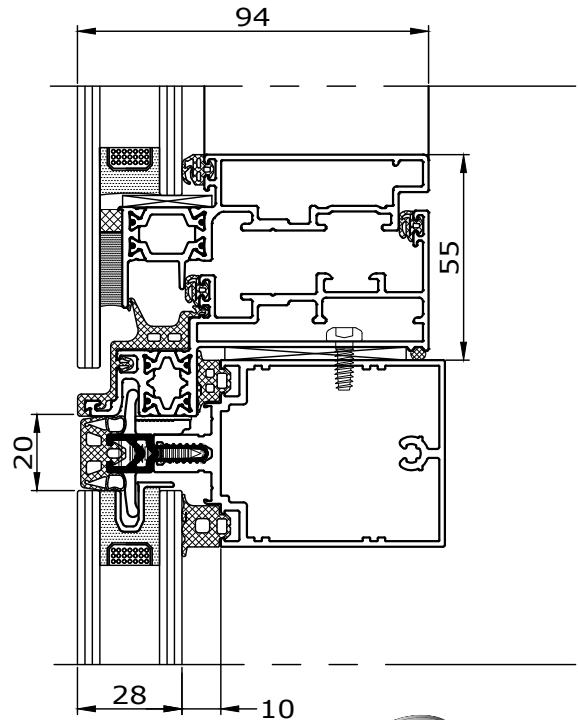
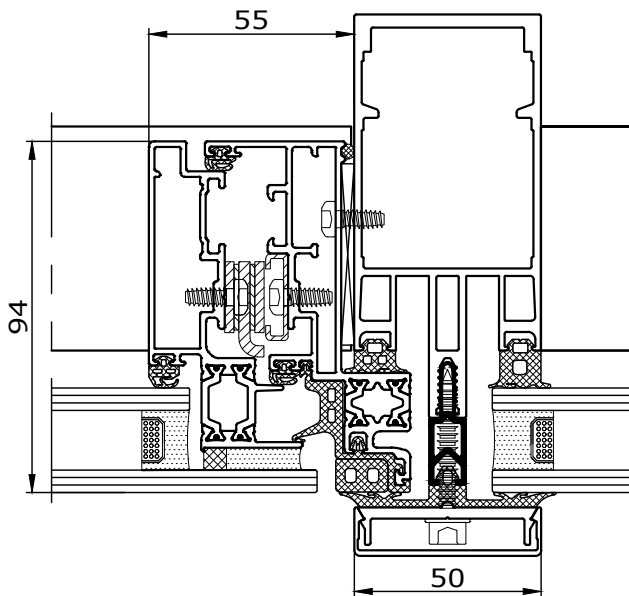
Vertical cover cap / Horizontal EPDM gasket or silicone sealant.

Copyright and ownership of this drawing is vested in EFT, Euro Facade Systems Ltd, whose prior written consent is required for its use, reproduction or for publication to any third party. All other rights reserved.



2.46

Including Comar 6EFT Concealed Vent



For concealed vent details, refer to section 8

Changes reserved
 Sous reserve de modifications
 Änderungen vorbehalten

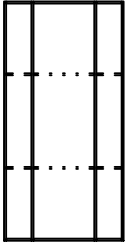
Issue: 05
 Date: 10 -16

Typical details

2

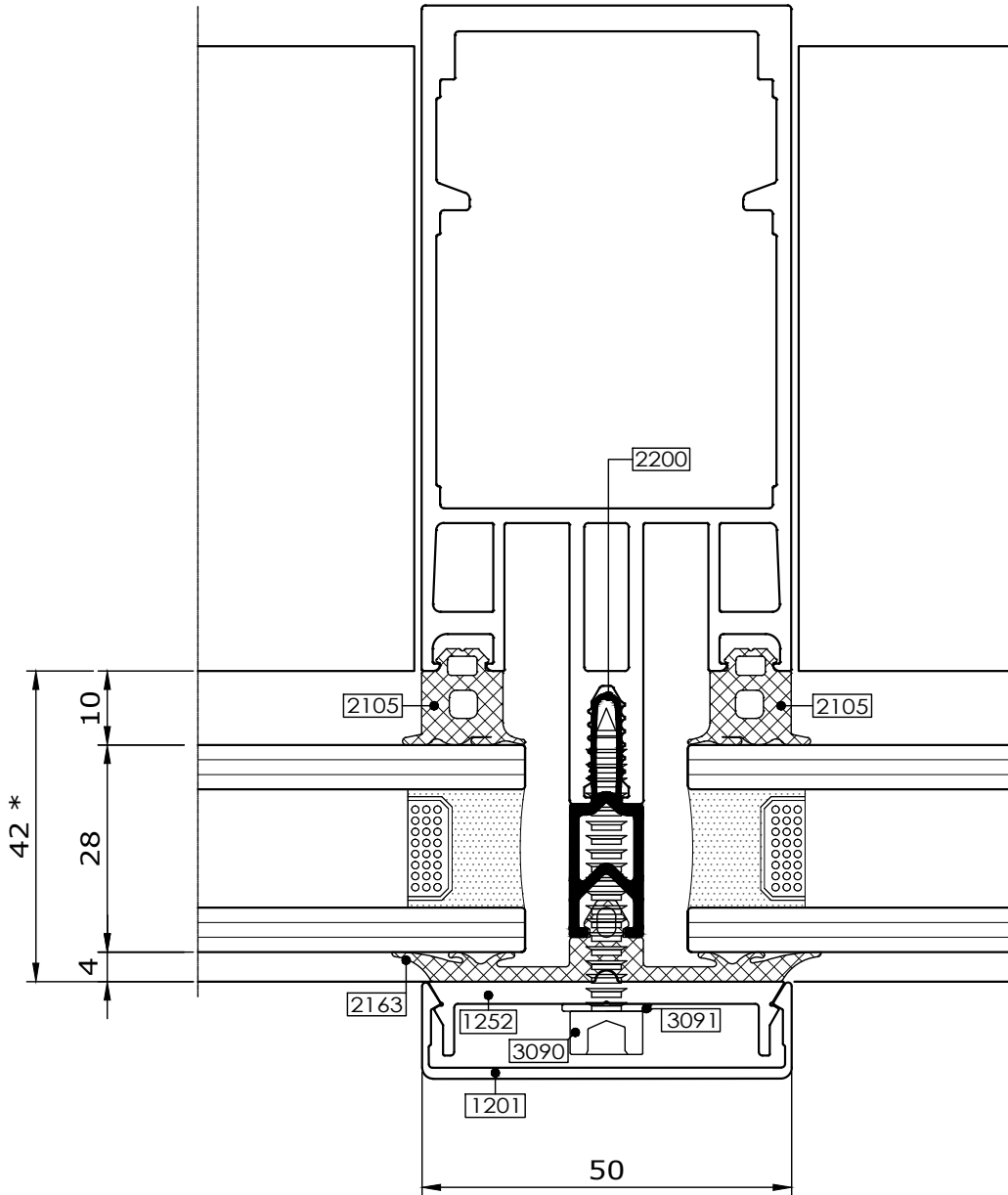
Comar 6EFT

Mullion detail



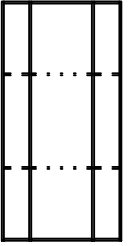
2.47

Fabricators Guide



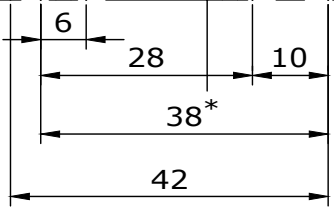
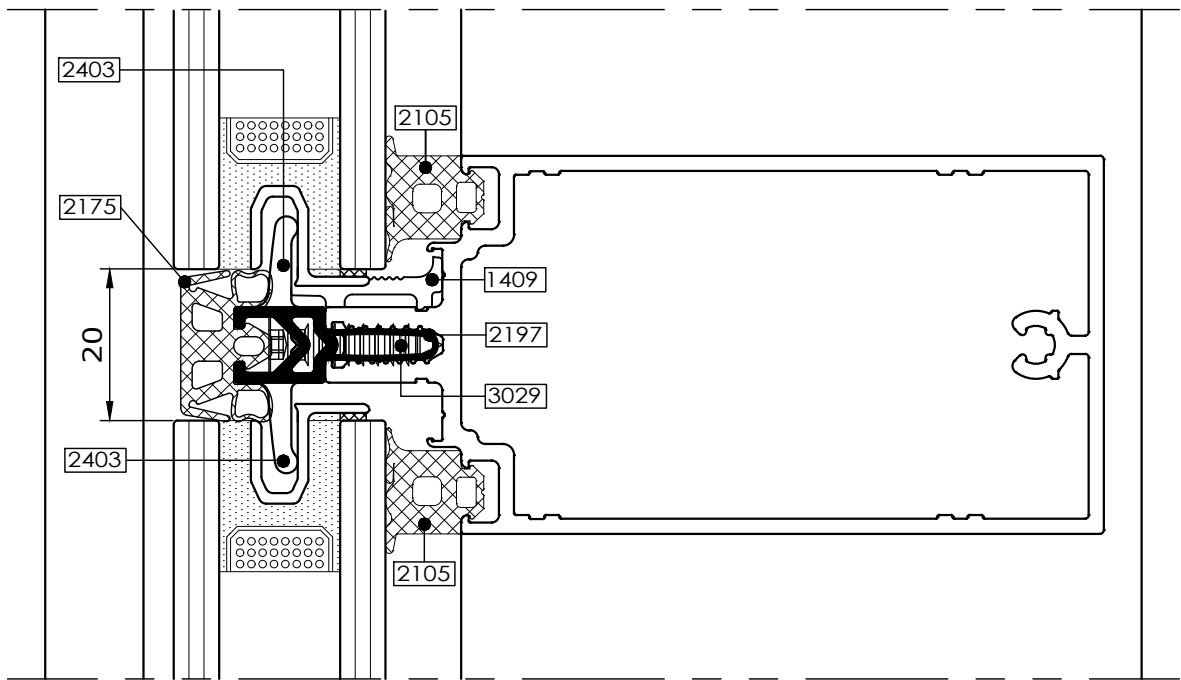
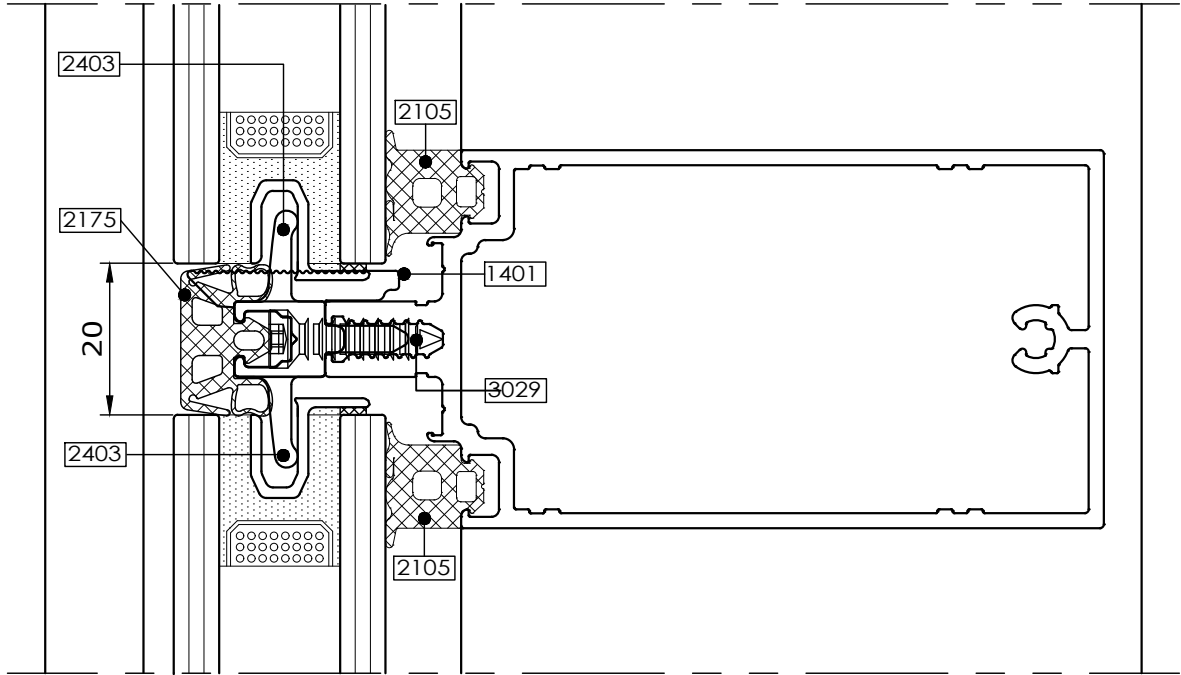
* Refer to Glazing Chart for glazing options

Transom detail
Gasket seal



2.48

Copyright and ownership of this drawing is vested in EFT, Euro Facade Systems Ltd, whose prior written consent is required for its use, reproduction or for publication to any third party. All other rights reserved. Subject to modifications.



* Refer to Glazing Chart for glazing options

Fabricators Guide

Changes reserved
Sous reserve de modifications
Änderungen vorbehalten

Issue: 05
Date: 10 -16

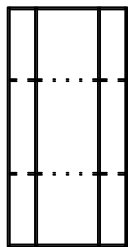


Typical details

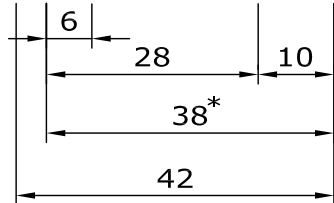
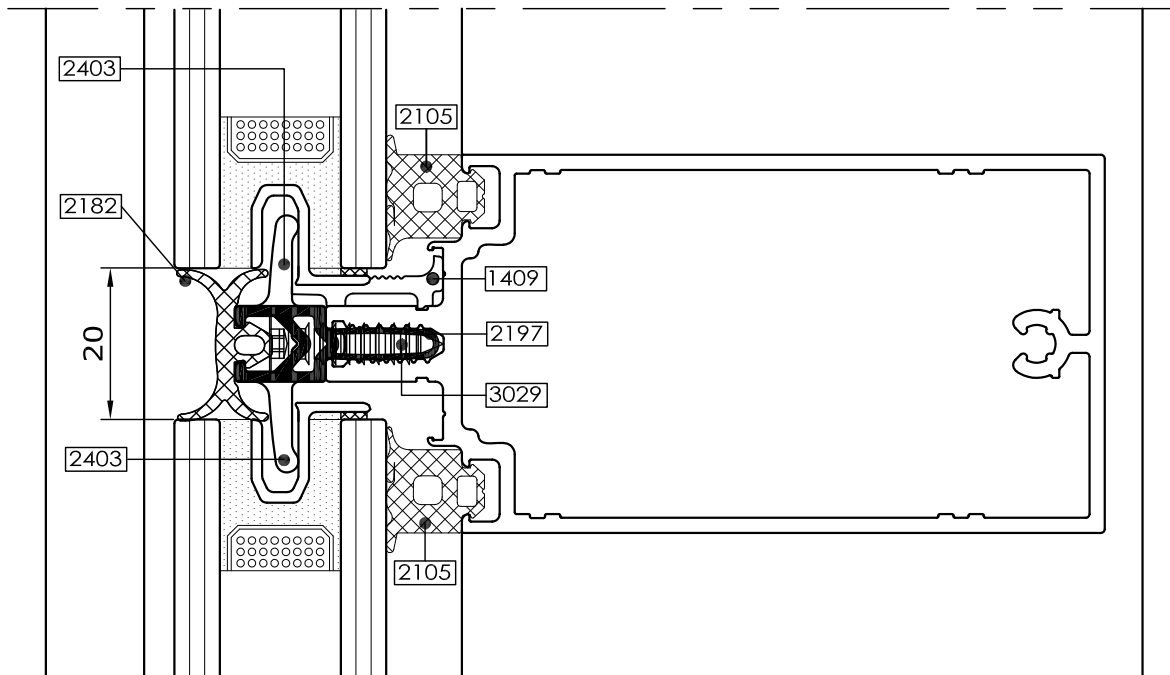
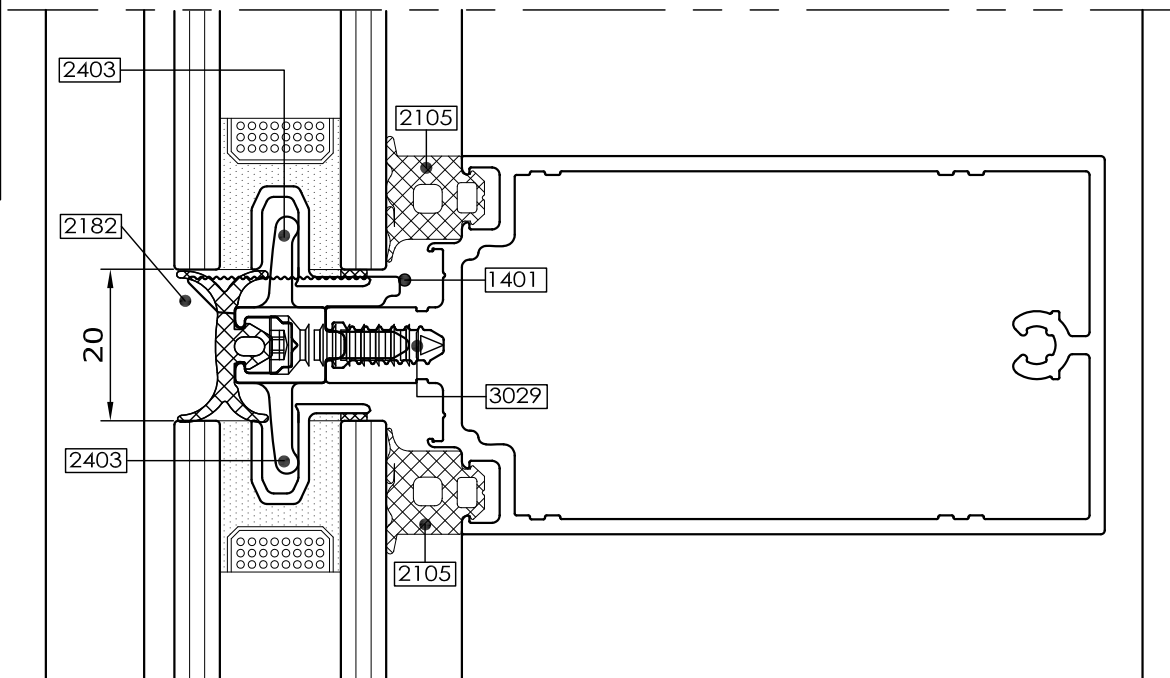
2

Comar 6EFT

Transom detail Gasket seal



2.49



* Refer to Glazing Chart for glazing options

Fabricators Guide

Copyright and ownership of this drawing is vested in EFT, Euro Facade Systems Ltd, whose prior written consent is required for its use, reproduction or for publication to any third party. All other rights reserved. Subject to modifications.



comar

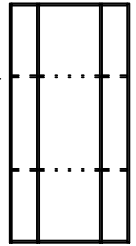
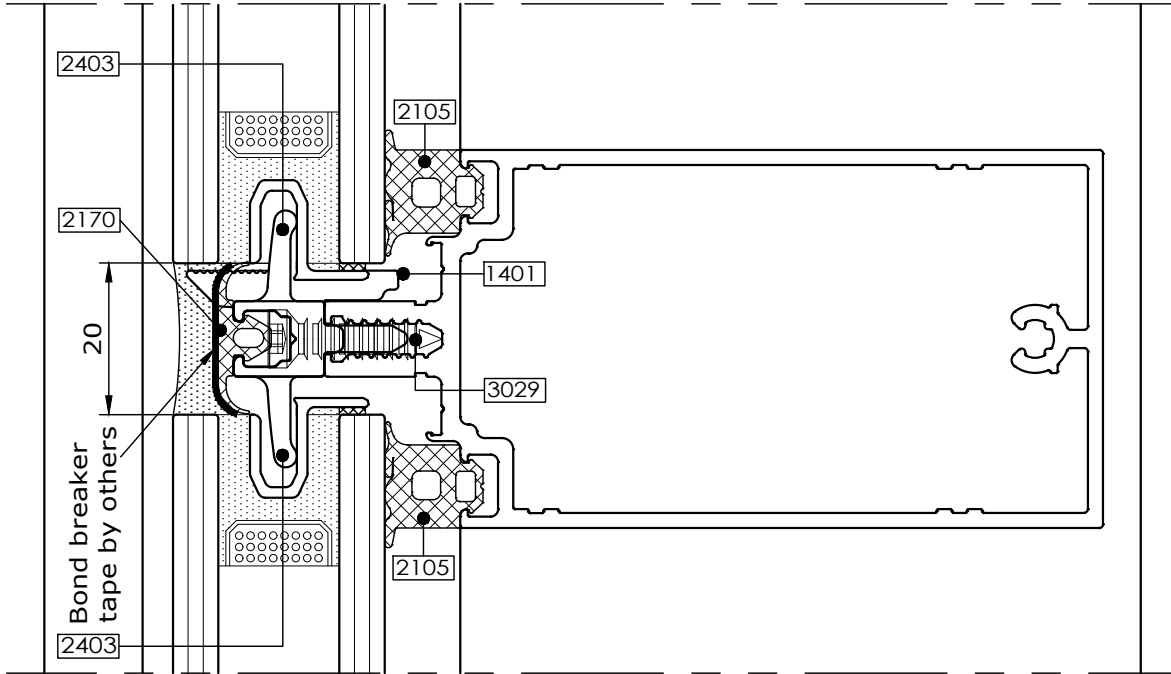
ARCHITECTURAL ALUMINIUM SYSTEMS

Changes reserved
Sous reserve de modifications
Änderungen vorbehalten

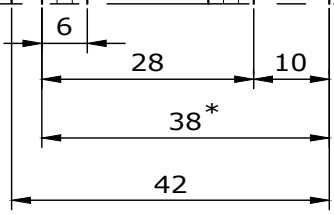
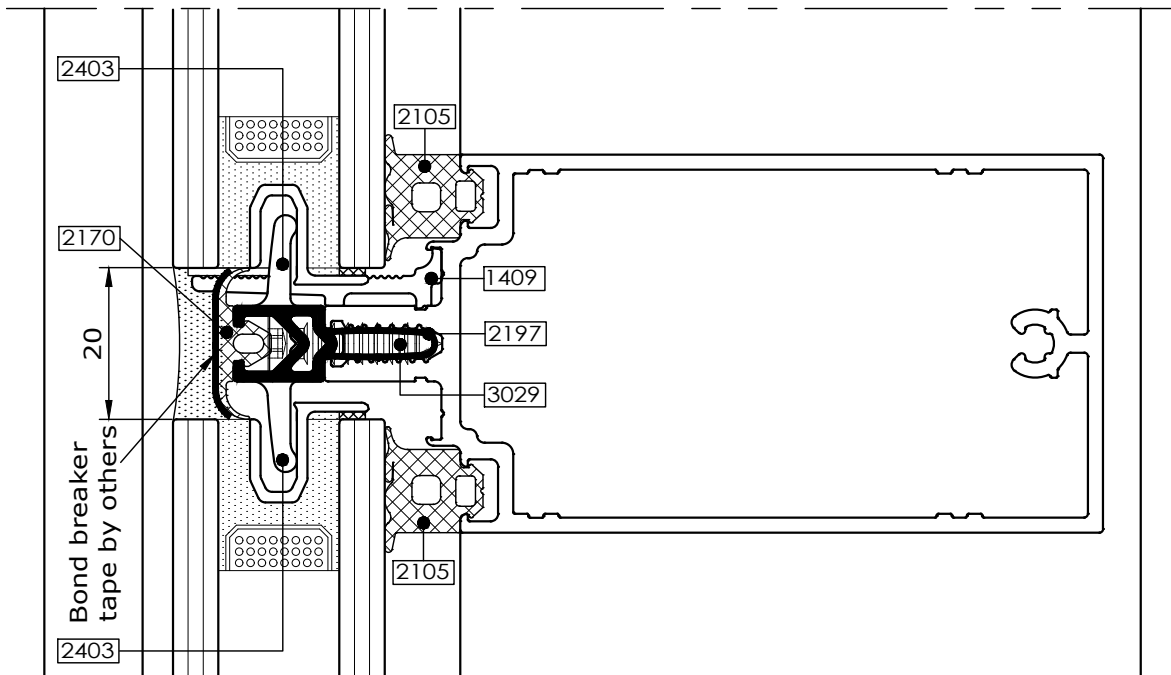
Issue: 05
Date: 12 -17

Transom detail
Silicone seal

Copyright and ownership of this drawing is vested in EFT, Euro Facade Systems Ltd, whose prior written consent is required for its use, reproduction or for publication to any third party. All other rights reserved. Subject to modifications.



2.50



* Refer to Glazing Chart for glazing options

Fabricators Guide

Changes reserved
Sous reserve de modifications
Änderungen vorbehalten

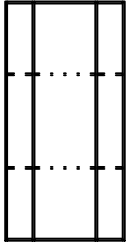
Issue: 05
Date: 10 -16

Typical details

2

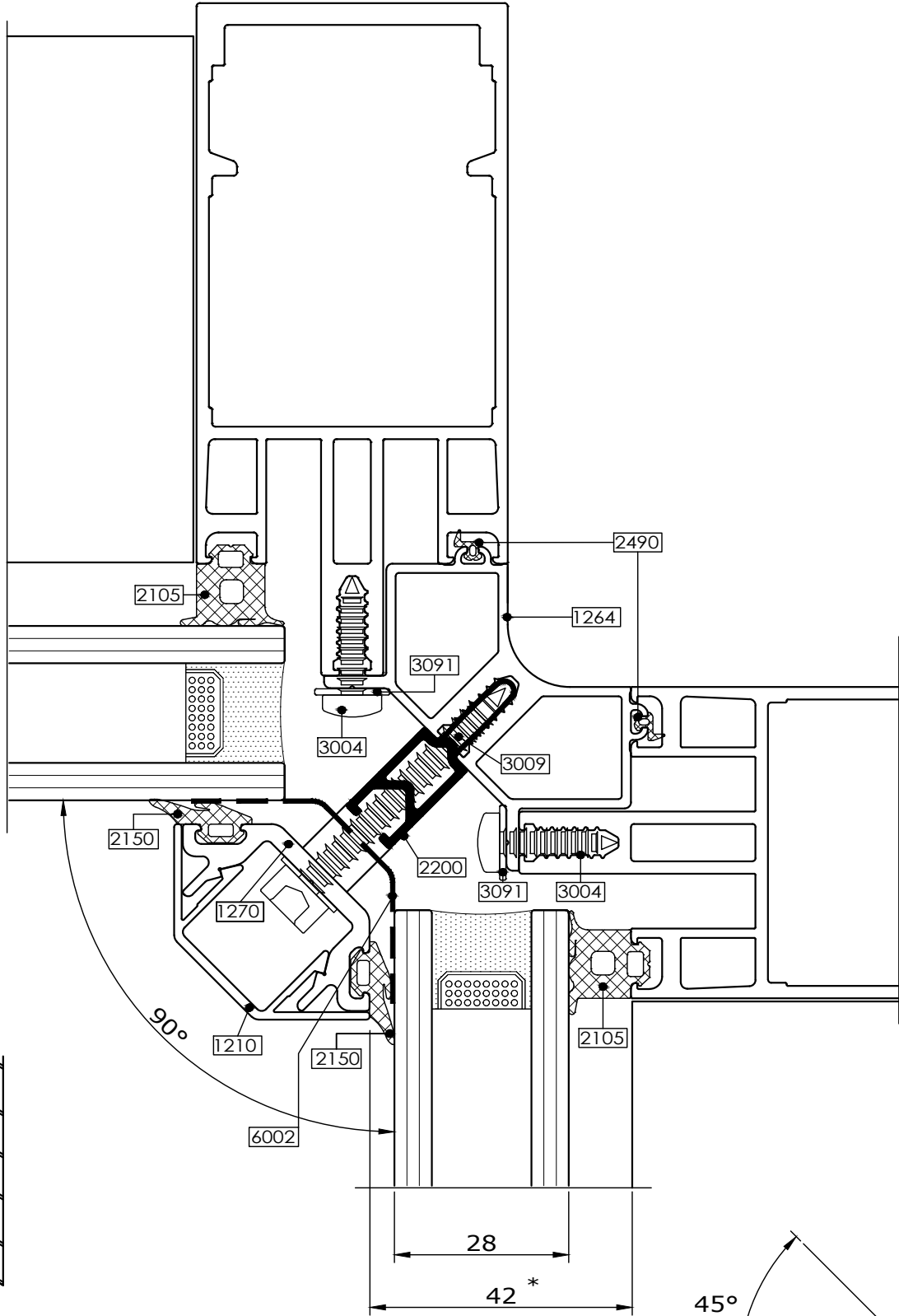
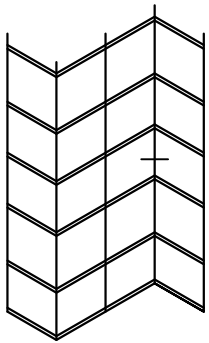
Comar 6EFT

Mullion corner post

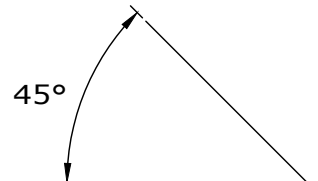


2.51

Fabricators Guide



* Refer to Glazing Chart for glazing options

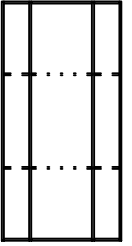


Changes reserved
Sous reserve de modifications
Änderungen vorbehalten

Copyright and ownership of this drawing is vested in EFT, Euro Facade Systems Ltd, whose prior written consent is required for its use, reproduction or for publication to any third party. All other rights reserved. Subject to modifications.

45° mullion corner post

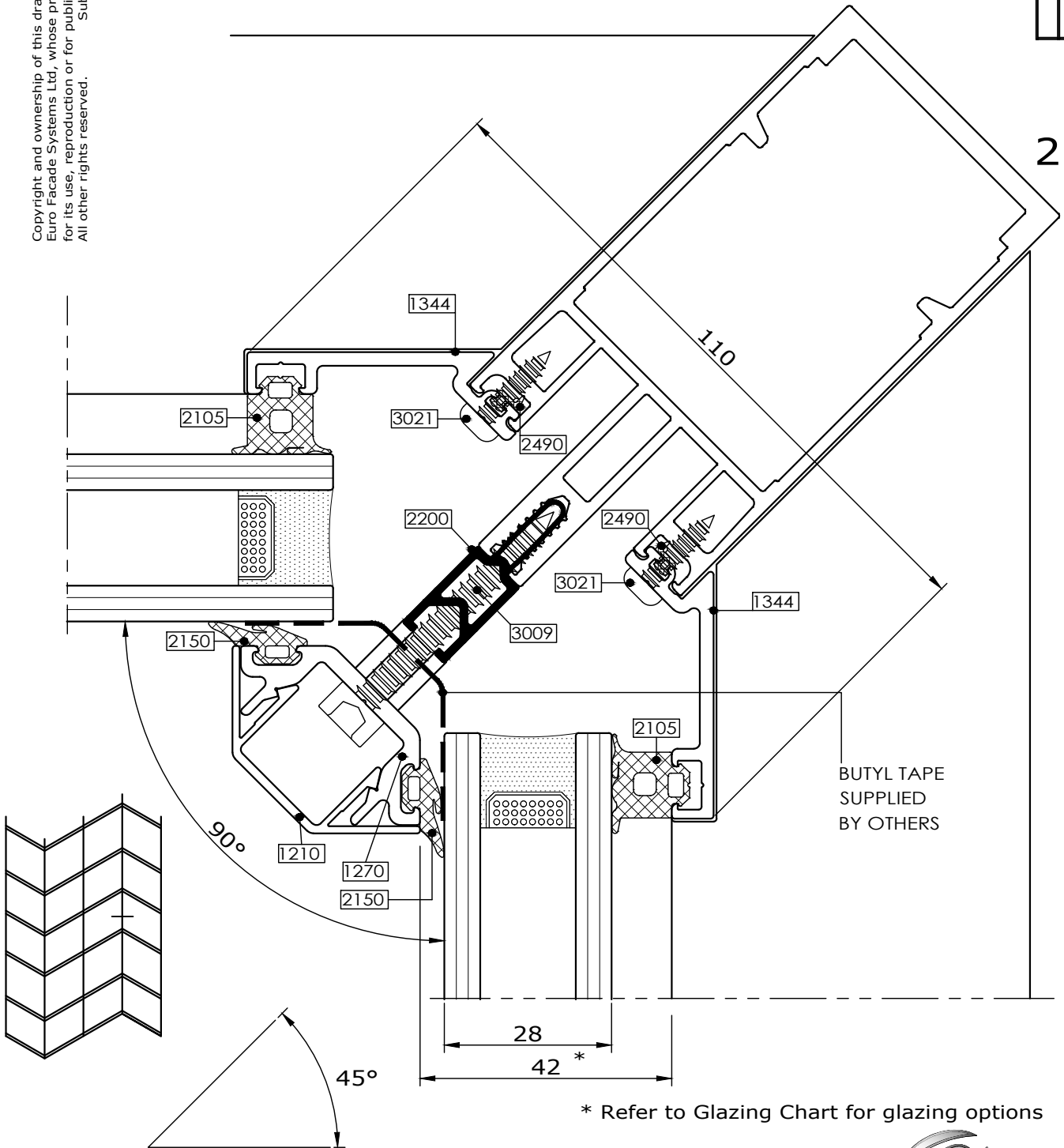
Comar 6EFT



2.52

Fabricators Guide

Copyright and ownership of this drawing is vested in EFT, Euro Facade Systems Ltd, whose prior written consent is required for its use, reproduction or for publication to any third party. All other rights reserved. Subject to modifications.



Changes reserved
 Sous reserve de modifications
 Änderungen vorbehalten

Issue: 05
 Date: 10 -16



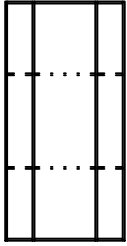
comar
 ARCHITECTURAL ALUMINIUM SYSTEMS

Typical details

2

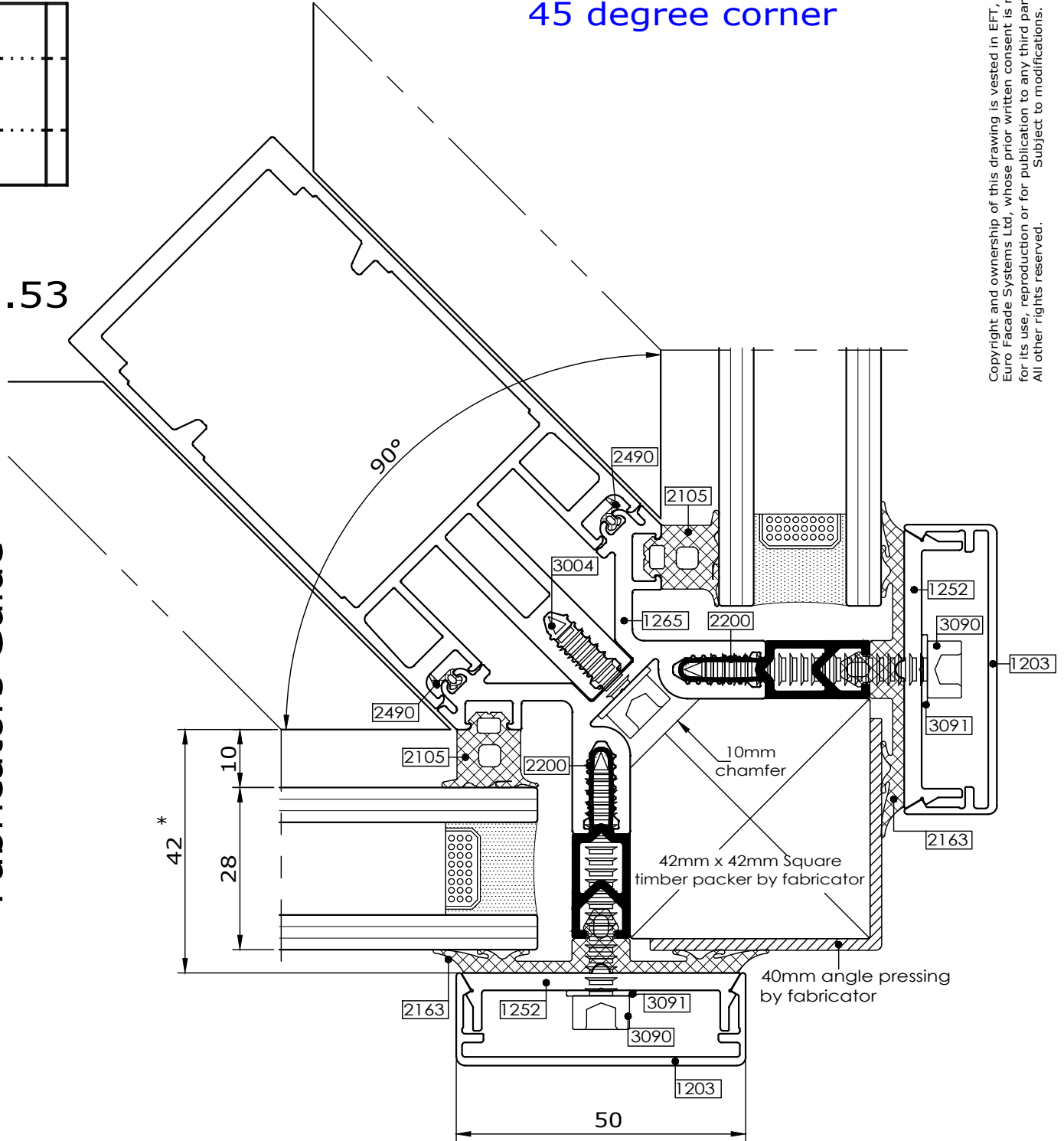
Comar 6EFT

Mullion detail 45 degree corner



2.53

Fabricators Guide



Copyright and ownership of this drawing is vested in EFT, Euro Facade Systems Ltd, whose prior written consent is required for its use, reproduction or for publication to any third party. All other rights reserved. Subject to modifications.

* Refer to Glazing Chart for glazing options

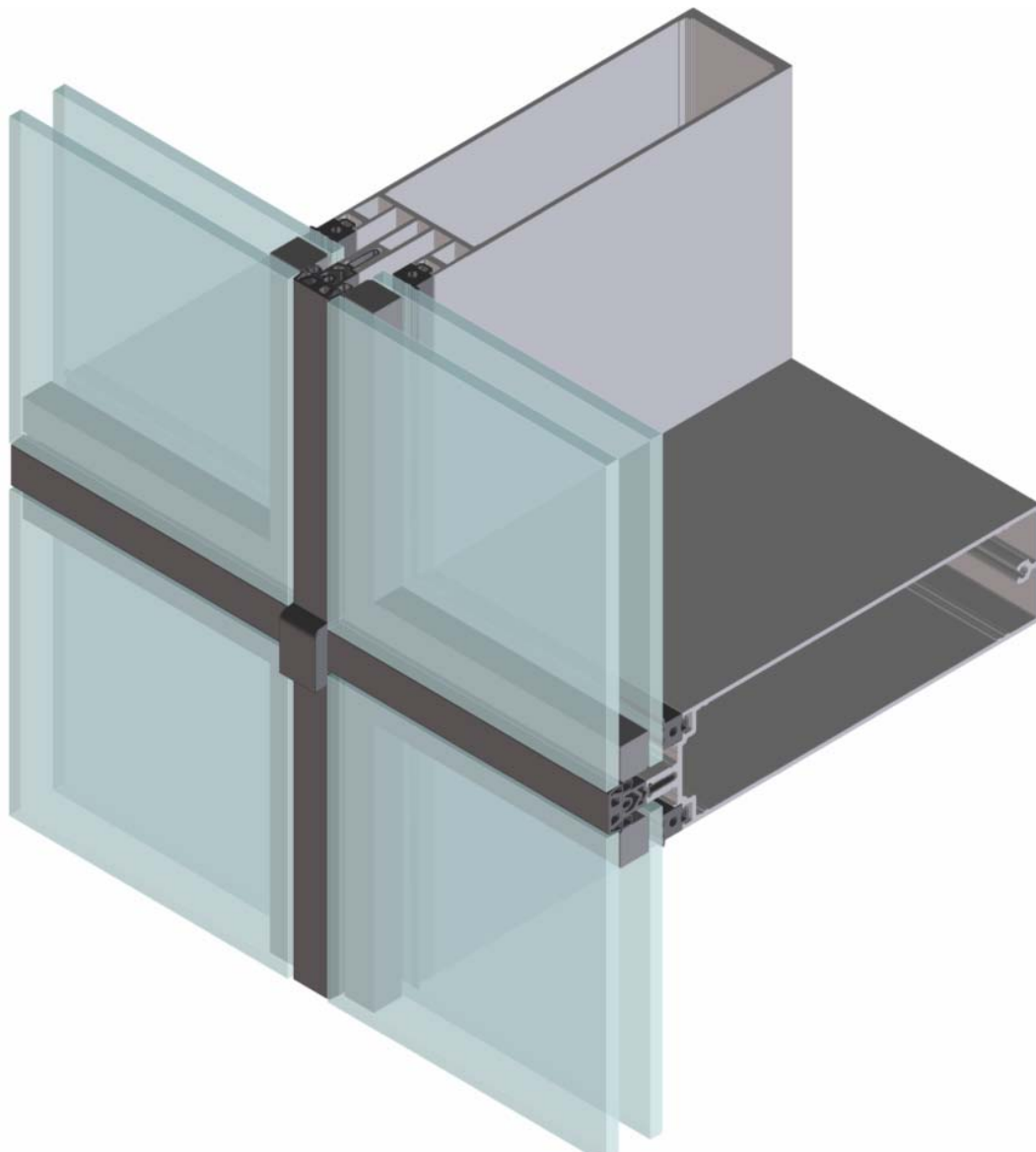
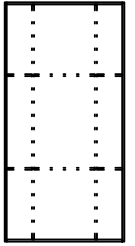
Copyright and ownership of this drawing is vested in EFT,
Euro Facade Systems Ltd, whose prior written consent is required
for its use, reproduction or for publication to any third party.
All other rights reserved. Subject to modifications.

4sided SG

2

Typical details

Comar 6EFT



Fabricators Guide

Changes reserved
Sous reserve de modifications
Änderungen vorbehalten

Issue: 05
Date : 10 -16

Introduction

Comar 6EFT 4Sided SG

Comar 6EFT 4Sided Structural Glazed Curtain Wall System enables the construction of curtain walling, with the benefits of slim sightlines.

This thermally insulated system consists of standard 50mm profiles, bespoke profiles are available upon request.

Specification Summary

Comar 6EFT 4sided structural glazing is a mullion drained, thermally broken curtain wall system, with standardised 50mm mullions and transoms.

The external vertical and horizontal sightline (joint seal) is 20mm.

The joint seal can be made of EPDM, compatible with most silicone sealants or this can be made out of silicone sealant.

Various cover caps are available for this system. The smallest sightline can be achieved using a 50 mm wide double chamfered cap to provide a visible front face of 16mm

Glazing

The system is externally glazed. Glazing should conform to the requirements of BS 6262 for thickness, type, wind resistance, safety and security.

Drainage

The system is mullion drained, achieved by meeting the requirements of "ventilated and drained glazing system" as specified in BS 6262

Thermal Insulation

Class 2.1 in accordance with DIN 4108 (2.0-2.8 W/m²K) or EN ISO 10077 - 1

The thermal transmittance (Uf) W/m²K, is depending on the insulator strip, calculated as per EN ISO 10077 - 1.

Comparable with class 2.1 DIN 4108 - 4 Table 3

Sound Insulation

Dependant on the glass specification, generally the curtain wall framing reduces the figure by 2dB (A).

Materials

The system is constructed from extruded aluminium profiles, using alloy 6063 complying to the requirements of BS 1474.

The thermal barrier system is achieved by means of PVC/PP extrusion

Construction

Any instructions regarding the manufacture and installation of the system must be strictly adhered to.

Weathering

Glazing vision strips are made of EPDM conforming to BS 4255 Part 1

Performance / exposure category

The system will achieve the following criteria when manufactured, installed and glazed to EFT recommended procedures, in accordance with CWCT approved testing methods.

Classification

Air permeability:	BS EN 12152 - Class AE 750
Water tightness:	BS EN 12154 - Class RE 750
Wind resistance:	BS EN 13116 - 2400 Pa design - 3600 Pa safety

2400Pa (Pascal's) is dependant upon correct mullion and transom selection to suit span and spacing by project.

Size limitations

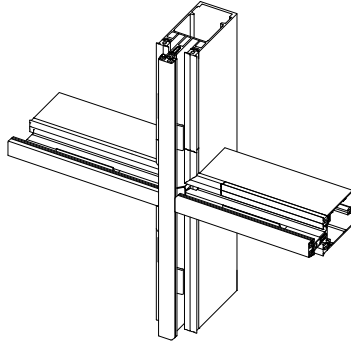
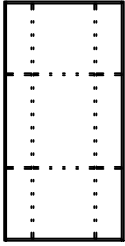
The size limitations of the system depends mainly on the hardware used. Please refer to Comar's Technical Office for advise.



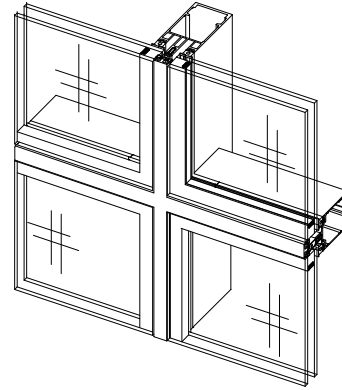
Typical details

2

Comar 6EFT



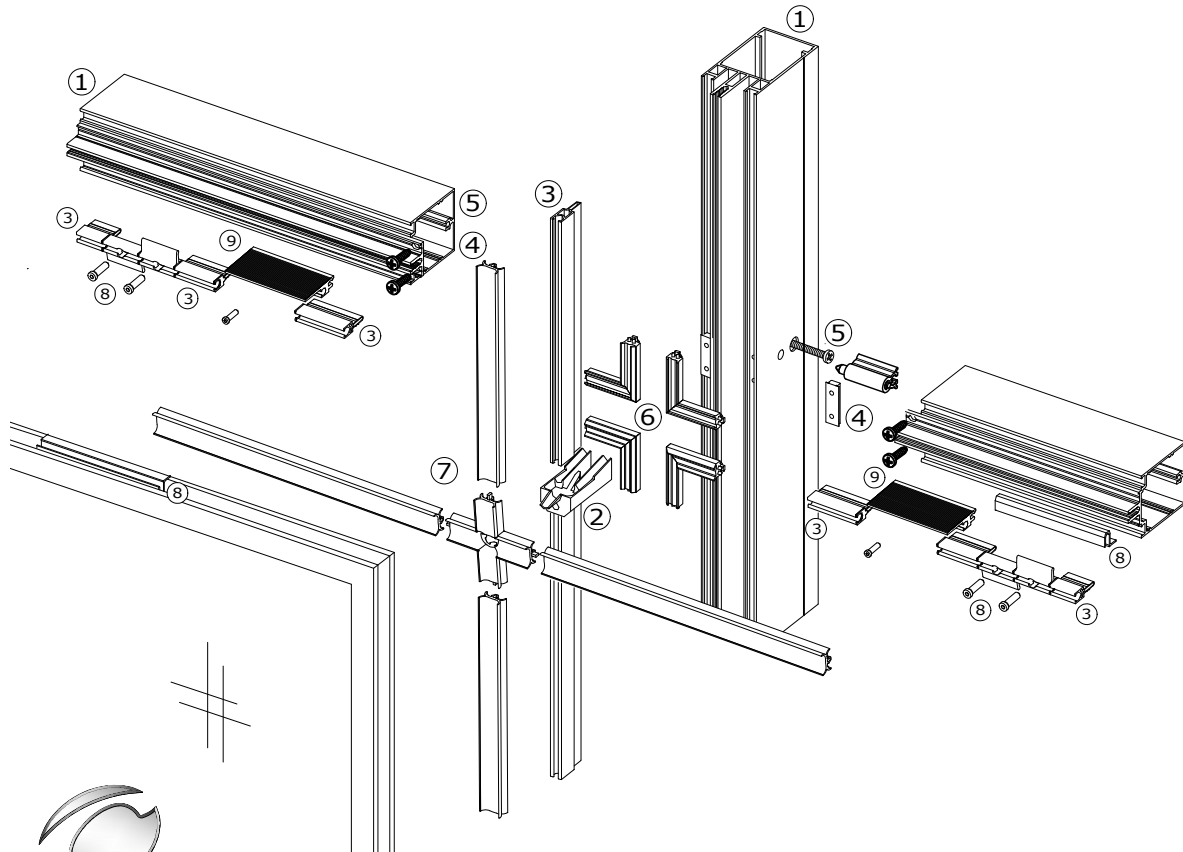
Typical Exploded Detail Four Sided Structural EFT (4sided SG)



Details:

1. One substructure for all curtain wall types, Fully Capped, 2sided SGH, 2sided SGV & 4sided SG.
2. Controlled drainage system (mullion drained) drainage diverter/cover.
3. Thermally broken.
4. Mullion-Transom step-cut & sealed by EPDM gasket.
5. Ladder (unit) construction or stick build.
6. Moulded EPDM corners available.
7. Joint cruciform gasket.
8. Glazing clamping system into DG unit.
9. Glass setting block

Fabrications Guide



Copyright and ownership of this drawing is vested in EFT, Euro Facade Systems Ltd, whose prior written consent is required for its use, reproduction or for publication to any third party. All other rights reserved. Subject to modifications.

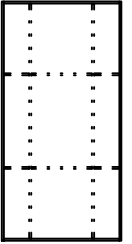


comar
ARCHITECTURAL ALUMINIUM SYSTEMS

Changes reserved
Sous reserve de modifications
Änderungen vorbehalten

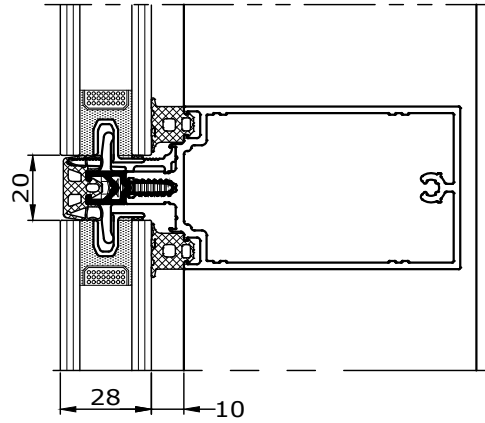
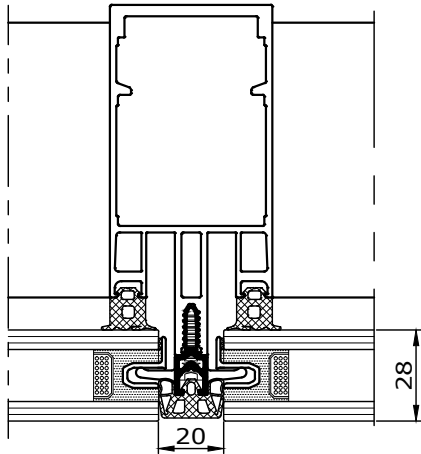
Issue: 05
Date : 10 -16

Four sided structural glazing
(4sided SG)

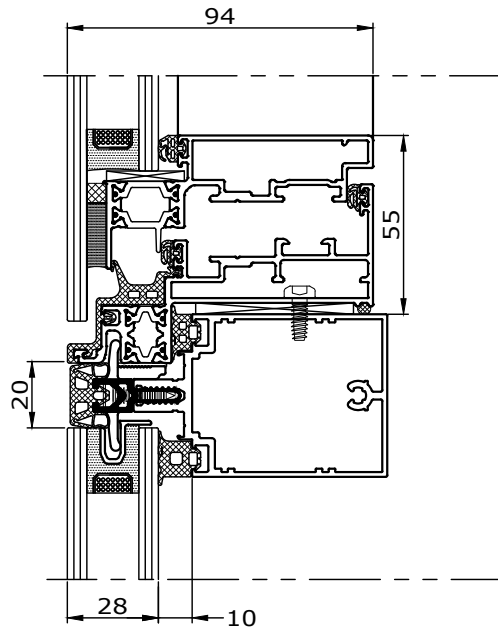
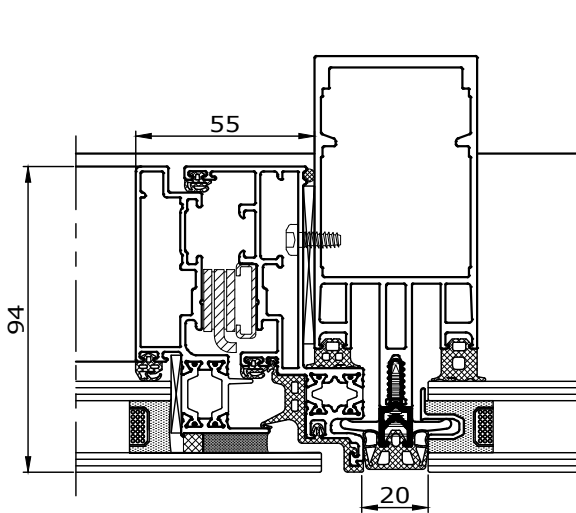


2.56

Copyright and ownership of this drawing is vested in EFT, Euro Facade Systems Ltd, whose prior written consent is required for its use, reproduction or for publication to any third party. All other rights reserved.



Including Comar 6EFT Concealed Vent



For concealed vent details, refer to section 8

Changes reserved
Sous reserve de modifications
Änderungen vorbehalten

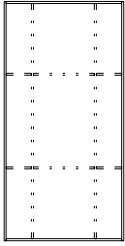
Issue: 05
Date : 10 -16

Typical details

2

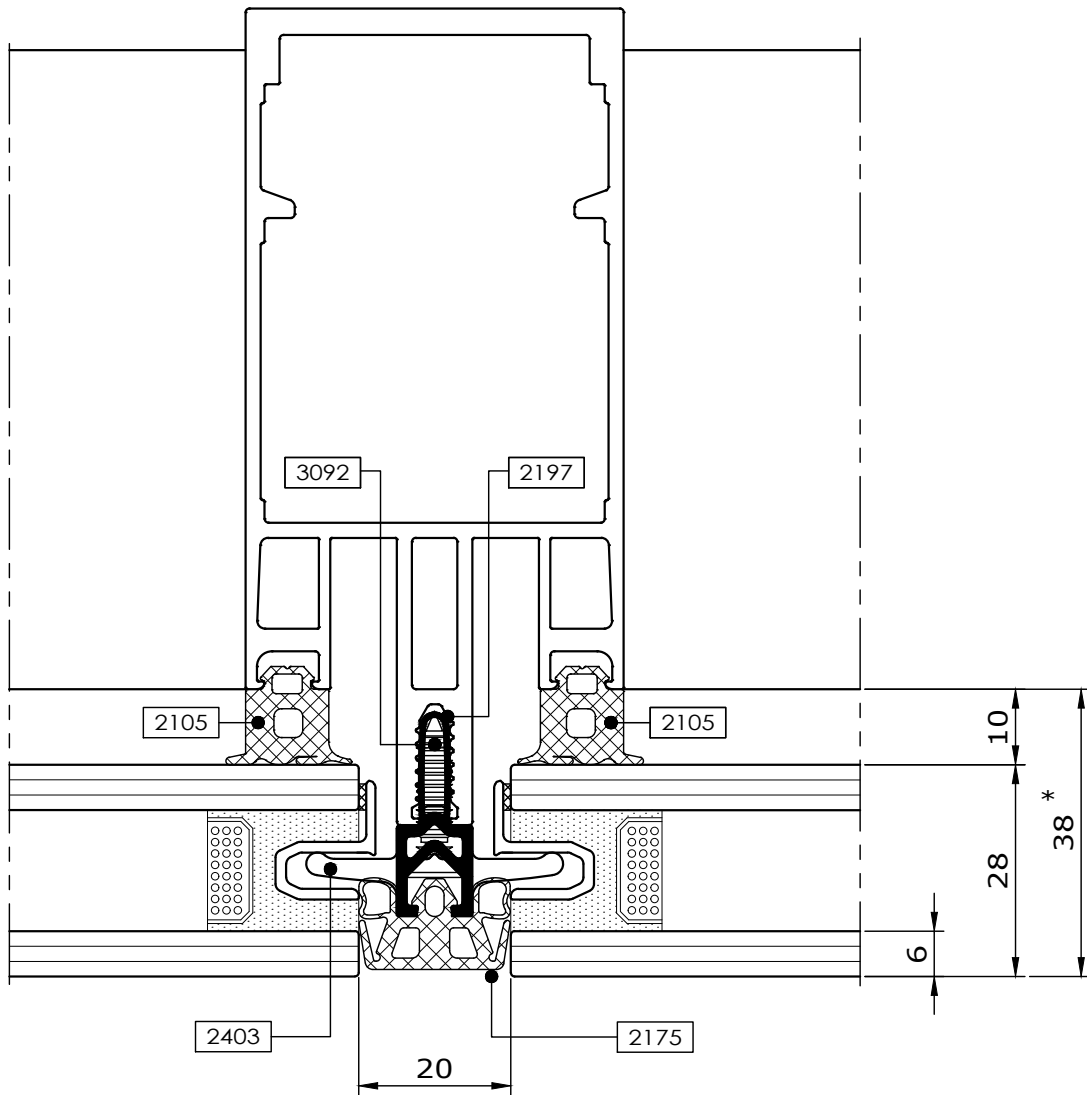
Comar 6EFT

Mullion detail EPDM gasket seal



2.57

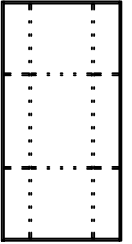
Fabricators Guide



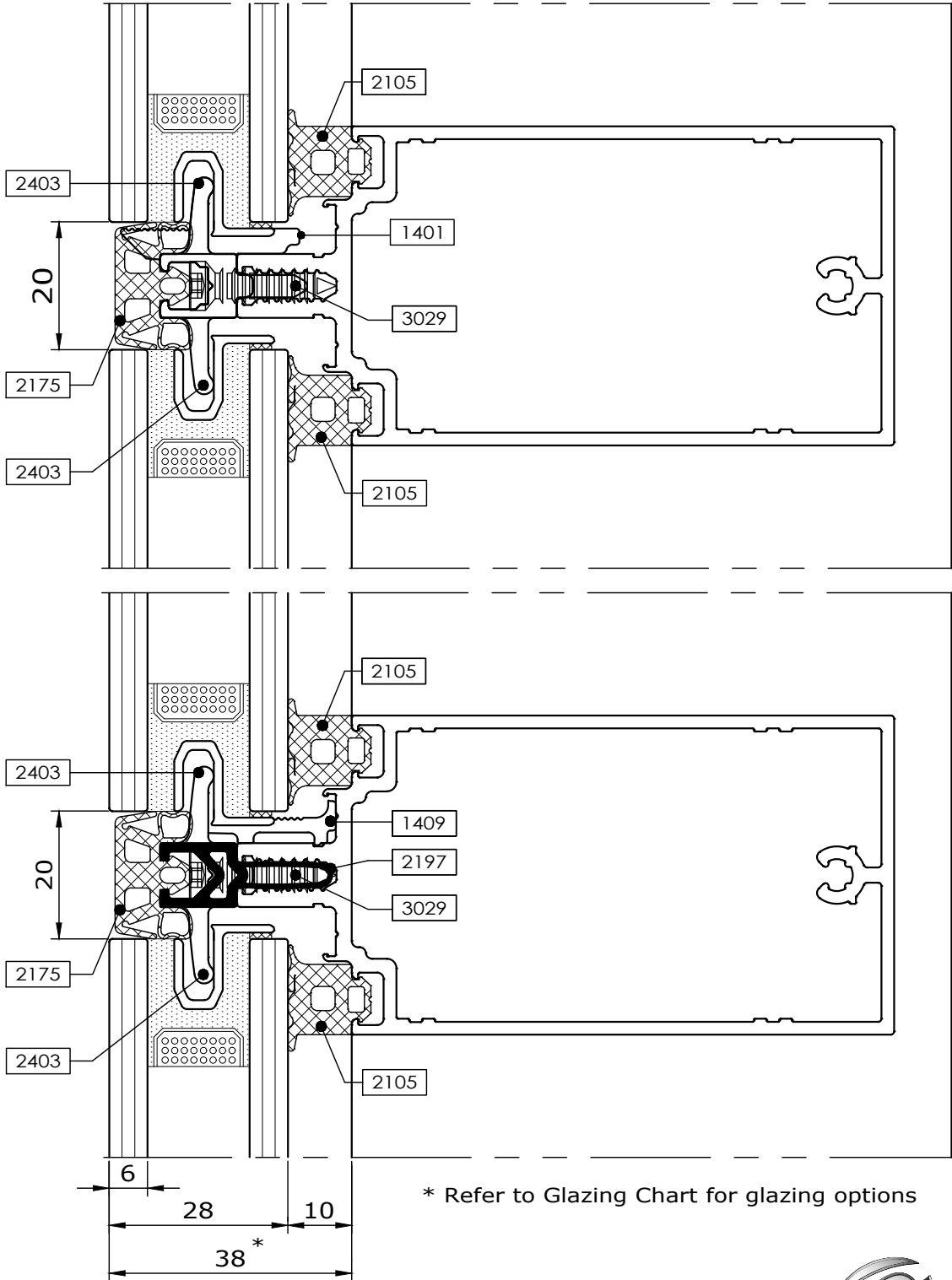
* Refer to Glazing Chart for glazing options

Copyright and ownership of this drawing is vested in EFT, Euro Facade Systems Ltd, whose prior written consent is required for its use, reproduction or for publication to any third party. All other rights reserved. Subject to modifications.

Transom detail
EPDM gasket seal



2.58



Copyright and ownership of this drawing is vested in EFT, Euro Facade Systems Ltd, whose prior written consent is required for its use, reproduction or for publication to any third party. All other rights reserved. Subject to modifications.

Changes reserved
Sous reserve de modifications
Änderungen vorbehalten

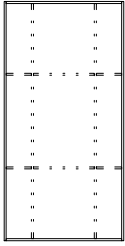
Issue: 05
Date : 10 -16

Typical details

2

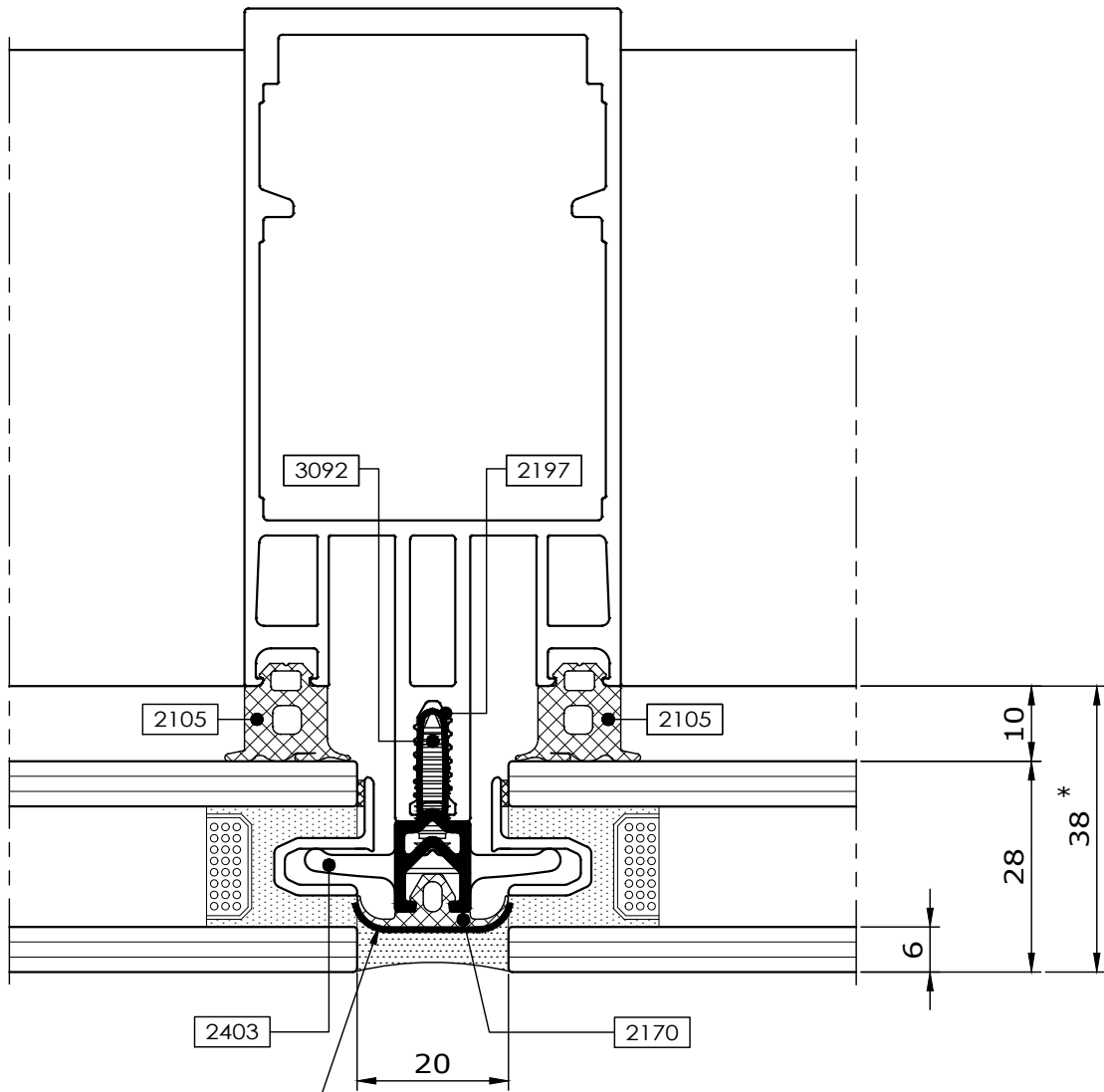
Comar 6EFT

Mullion detail Silicone seal



2.59

Fabricators Guide



Any edge of gasket that will be exposed to external silicone seal must have bond breaker tape applied to its surface to prevent a three way seal

* Refer to Glazing Chart for glazing options



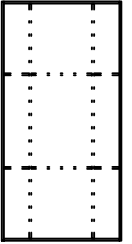
comar
ARCHITECTURAL ALUMINIUM SYSTEMS

Changes reserved
Sous reserve de modifications
Änderungen vorbehalten

Issue: 05
Date : 10 -16

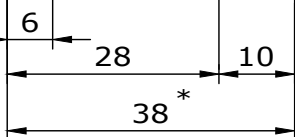
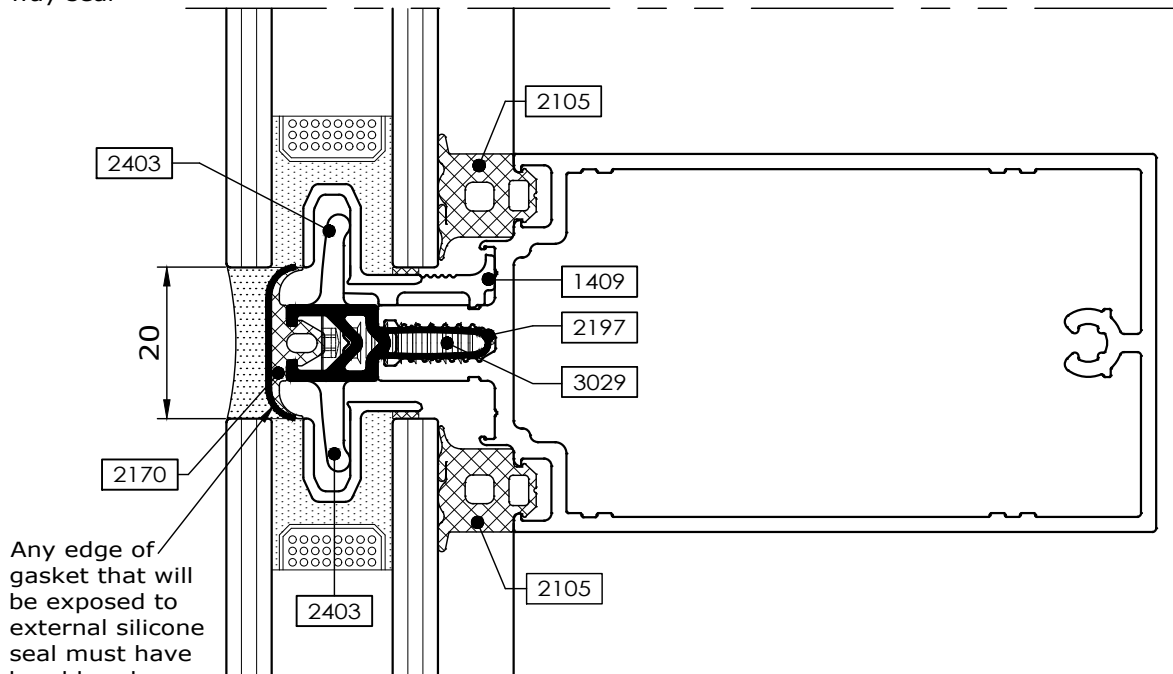
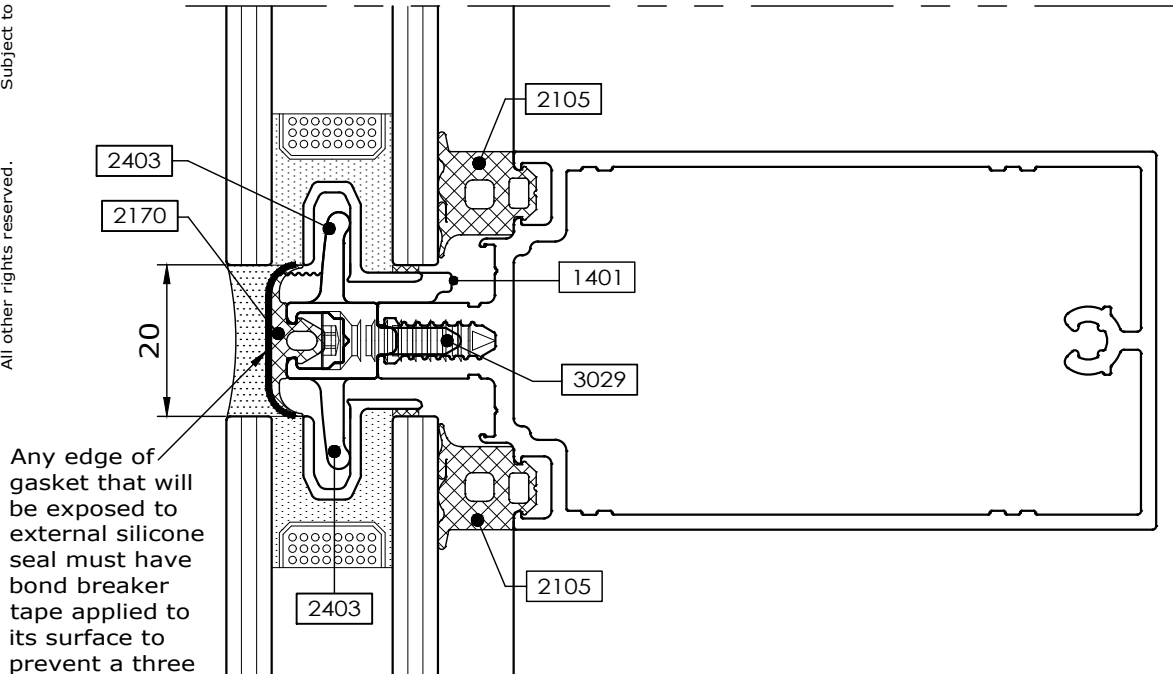
Copyright and ownership of this drawing is vested in EFT, Euro Facade Systems Ltd, whose prior written consent is required for its use, reproduction or for publication to any third party. All other rights reserved. Subject to modifications.

Transom detail
Silicone seal



2.60

Copyright and ownership of this drawing is vested in EFT, Euro Facade Systems Ltd, whose prior written consent is required for its use, reproduction or for publication to any third party. All other rights reserved. Subject to modifications.



* Refer to Glazing Chart for glazing options

Changes reserved
Sous reserve de modifications
Änderungen vorbehalten

Issue: 05
Date : 10 -16

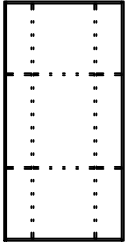


Typical details

2

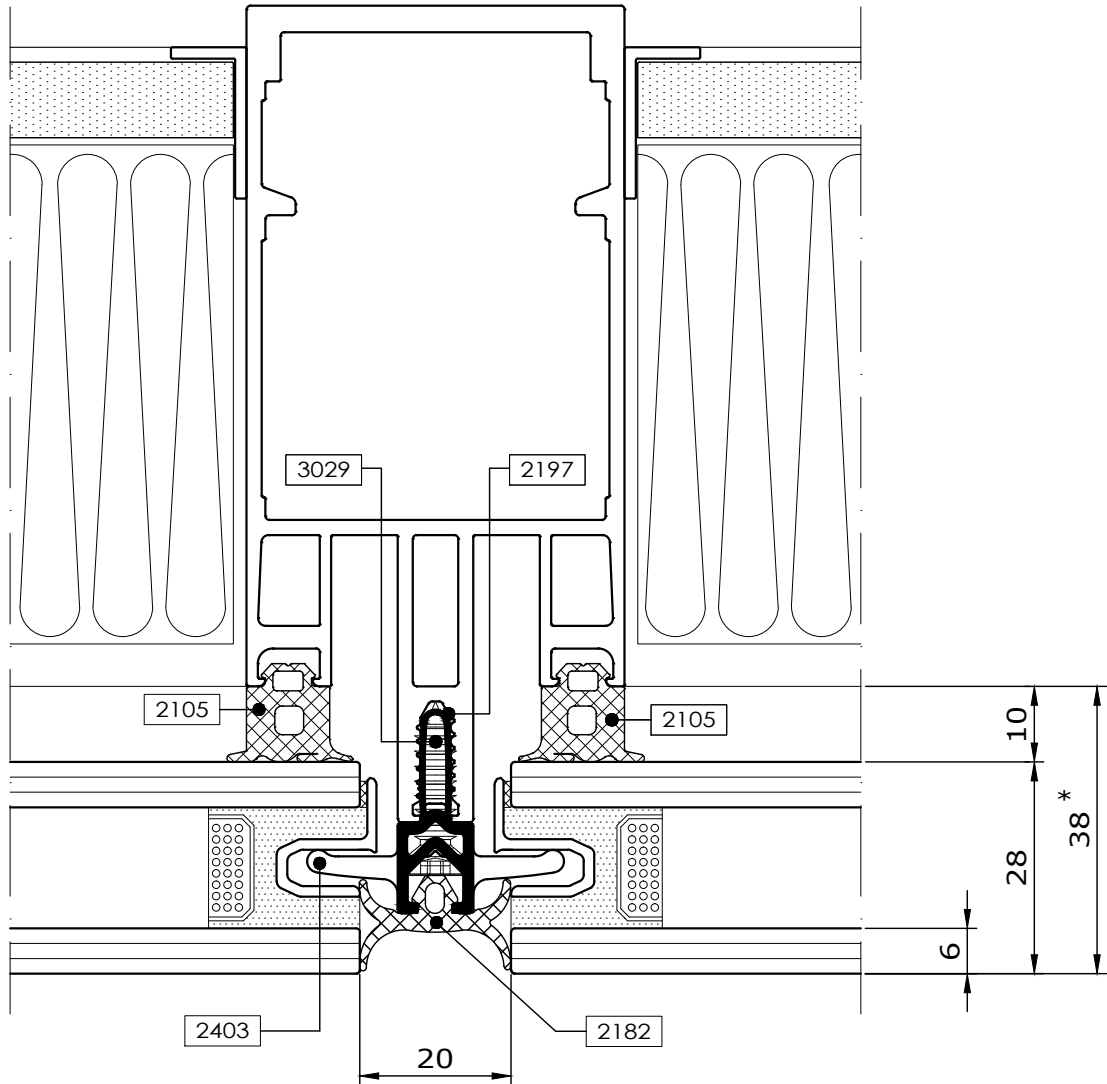
Comar 6EFT

Mullion detail EPDM gasket seal



2.61

Fabricators Guide



* Refer to Glazing Chart for glazing options

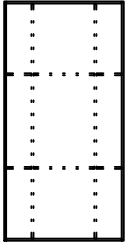
Copyright and ownership of this drawing is vested in EFT, Euro Facade Systems Ltd, whose prior written consent is required for its use, reproduction or for publication to any third party. All other rights reserved. Subject to modifications.

Typical details

2

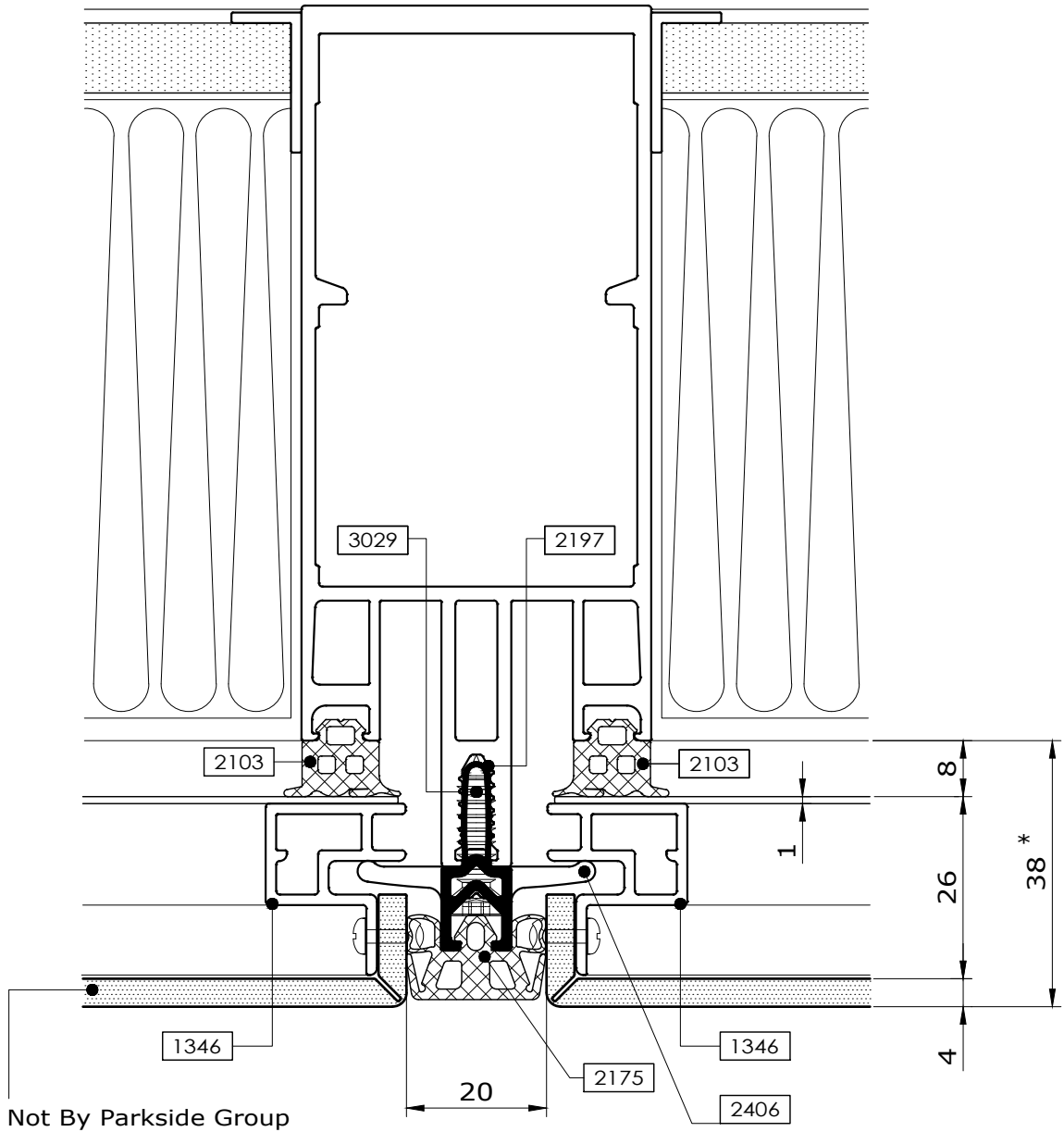
Comar 6EFT

Mullion detail
Panel frame 1346



2.63

Fabricators Guide



* Refer to Glazing Chart for glazing options

Copyright and ownership of this drawing is vested in EFT, Euro Facade Systems Ltd, whose prior written consent is required for its use, reproduction or for publication to any third party. All other rights reserved. Subject to modifications.

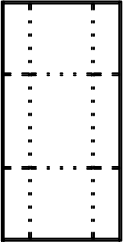
Copyright and ownership of this drawing is vested in EFT, Euro Facade Systems Ltd, whose prior written consent is required for its use, reproduction or for publication to any third party. All other rights reserved. Subject to modifications.

2

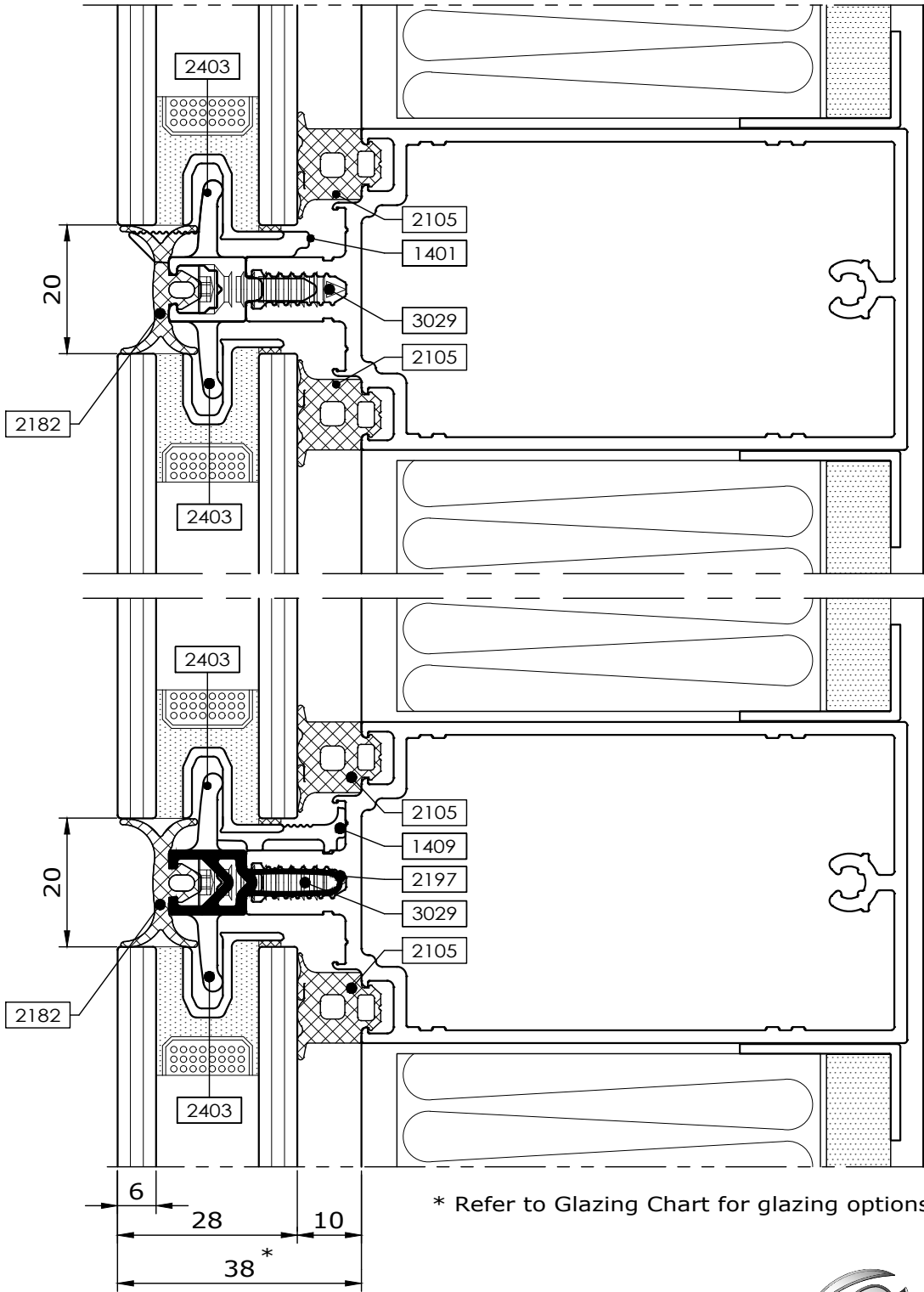
Typical details

Comar 6EFT

Transom detail



2.62



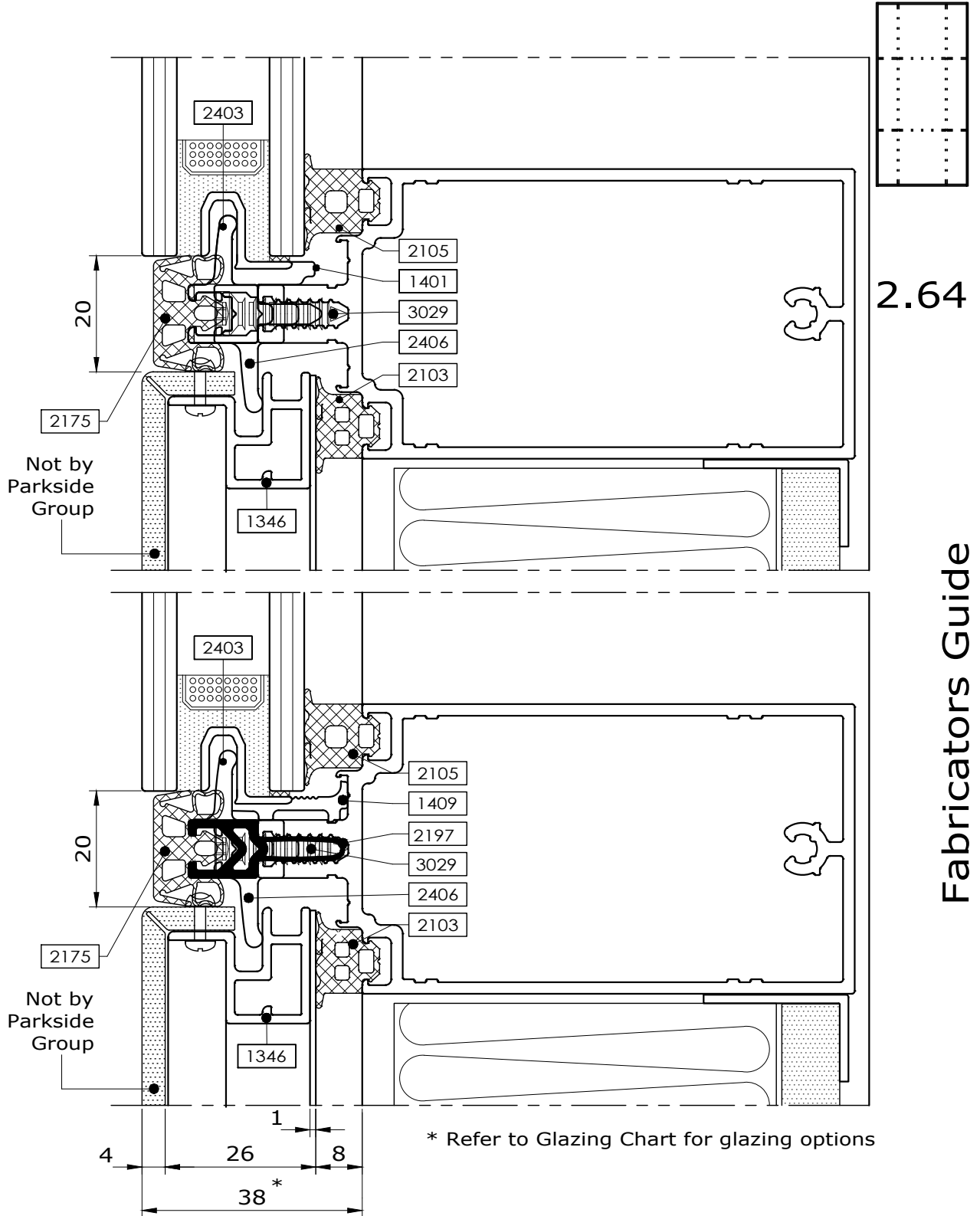
Fabricators Guide

Changes reserved
 Sous reserve de modifications
 Änderungen vorbehalten

Issue: 05
 Date : 10 -16

Transom detail 1346

Copyright and ownership of this drawing is vested in EFT, Euro Facade Systems Ltd, whose prior written consent is required for its use, reproduction or for publication to any third party. All other rights reserved. Subject to modifications.



Fabricators Guide

Changes reserved
 Sous reserve de modifications
 Änderungen vorbehalten

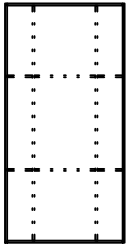
Issue: 05
 Date : 10 -16

Typical details

2

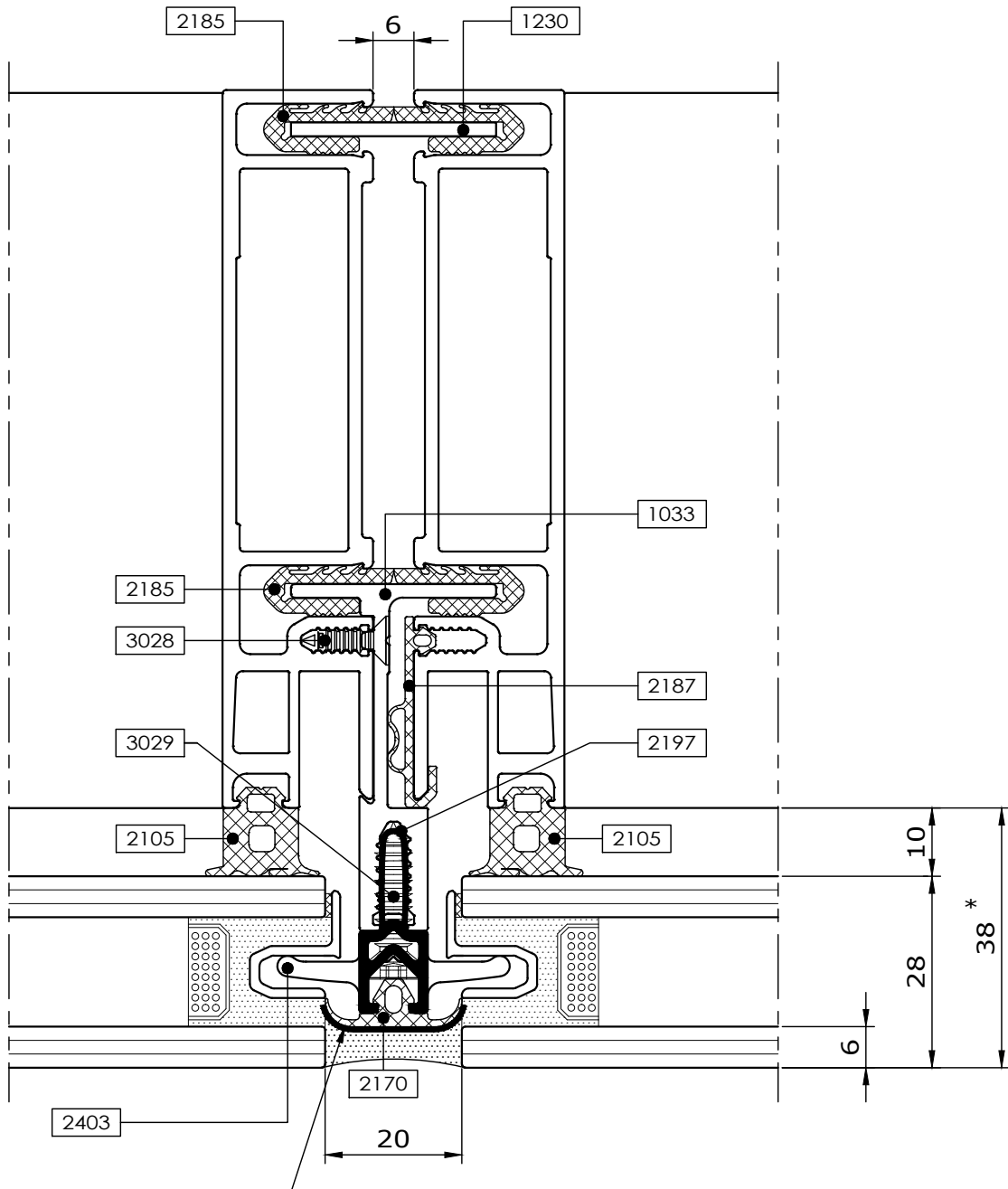
Comar 6EFT

Split mullion detail Silicone seal



2.65

Fabricators Guide



Any edge of gasket that will be exposed to external silicone seal must have bond breaker tape applied to its surface to prevent a three way seal

* Refer to Glazing Chart for glazing options

Copyright and ownership of this drawing is vested in EFT, Euro Facade Systems Ltd, whose prior written consent is required for its use, reproduction or for publication to any third party. All other rights reserved. Subject to modifications.



comar
ARCHITECTURAL ALUMINIUM SYSTEMS

Changes reserved
Sous reserve de modifications
Änderungen vorbehalten

Issue: 05
Date : 10 -16

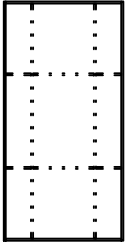
Copyright and ownership of this drawing is vested in EFT, Euro Facade Systems Ltd, whose prior written consent is required for its use, reproduction or for publication to any third party. All other rights reserved. Subject to modifications.

2

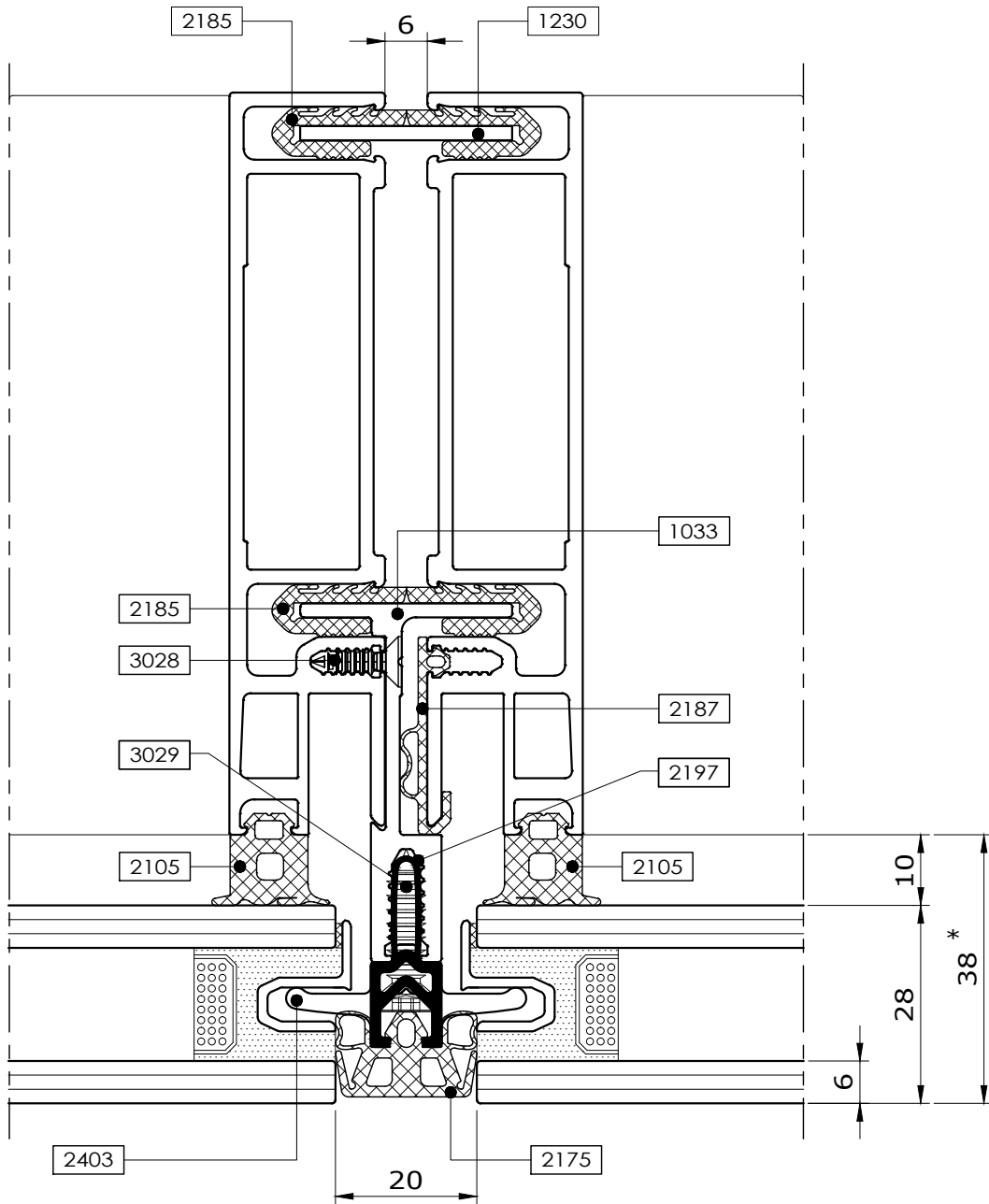
Typical details

Split mullion details
EPDM gasket seal

Comar 6EFT



2.66



Fabricators Guide

* Refer to Glazing Chart for glazing options

Changes reserved
Sous reserve de modifications
Änderungen vorbehalten

Issue: 05
Date : 10 -16

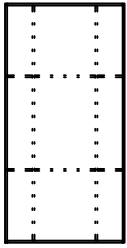


Typical details

2

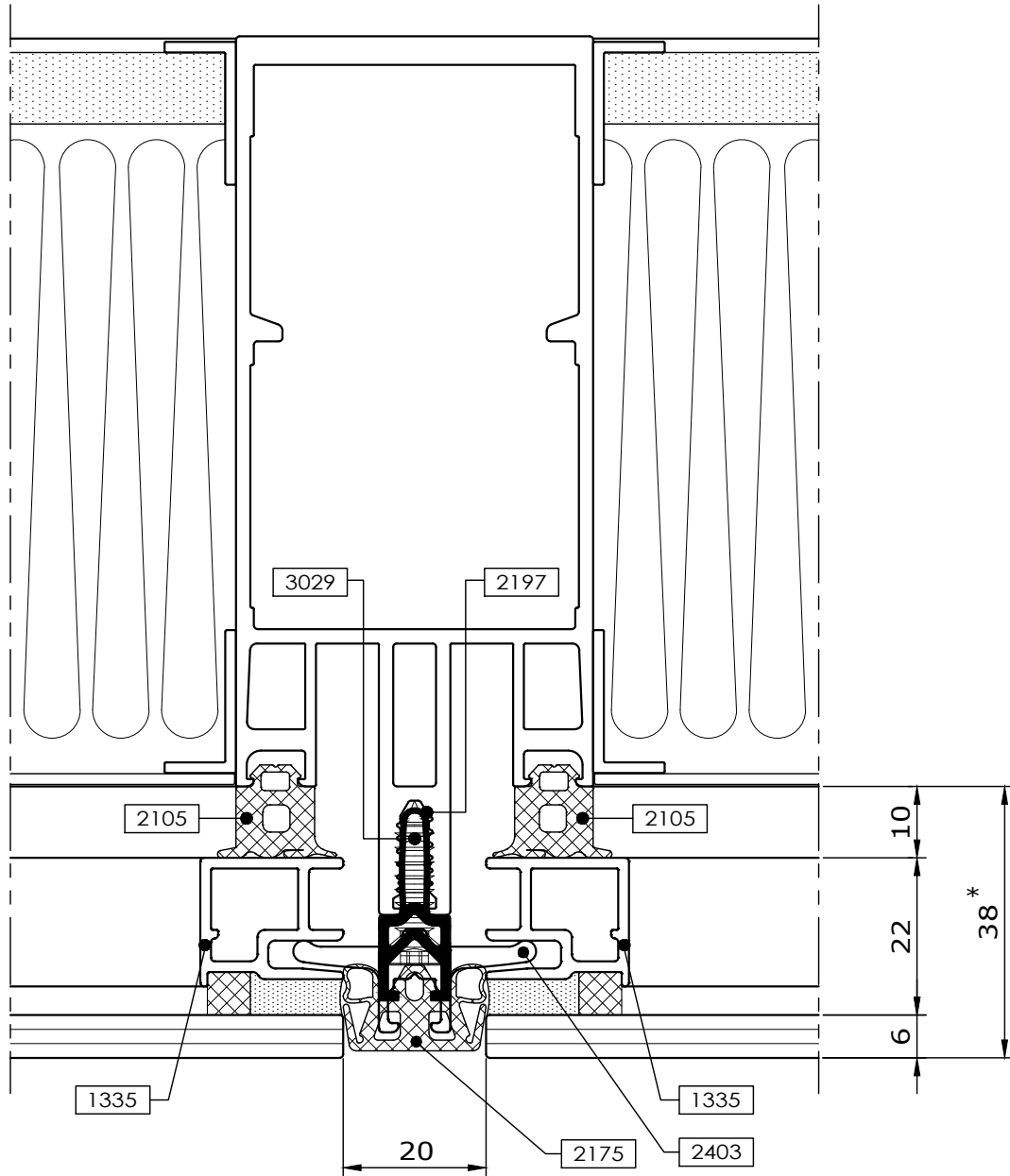
Comar 6EFT

Mullion detail
Single Glazed
EPDM Gasket seal



2.67

Fabricators Guide



* Refer to Glazing Chart for glazing options

Copyright and ownership of this drawing is vested in EFT, Euro Facade Systems Ltd, whose prior written consent is required for its use, reproduction or for publication to any third party. All other rights reserved. Subject to modifications.

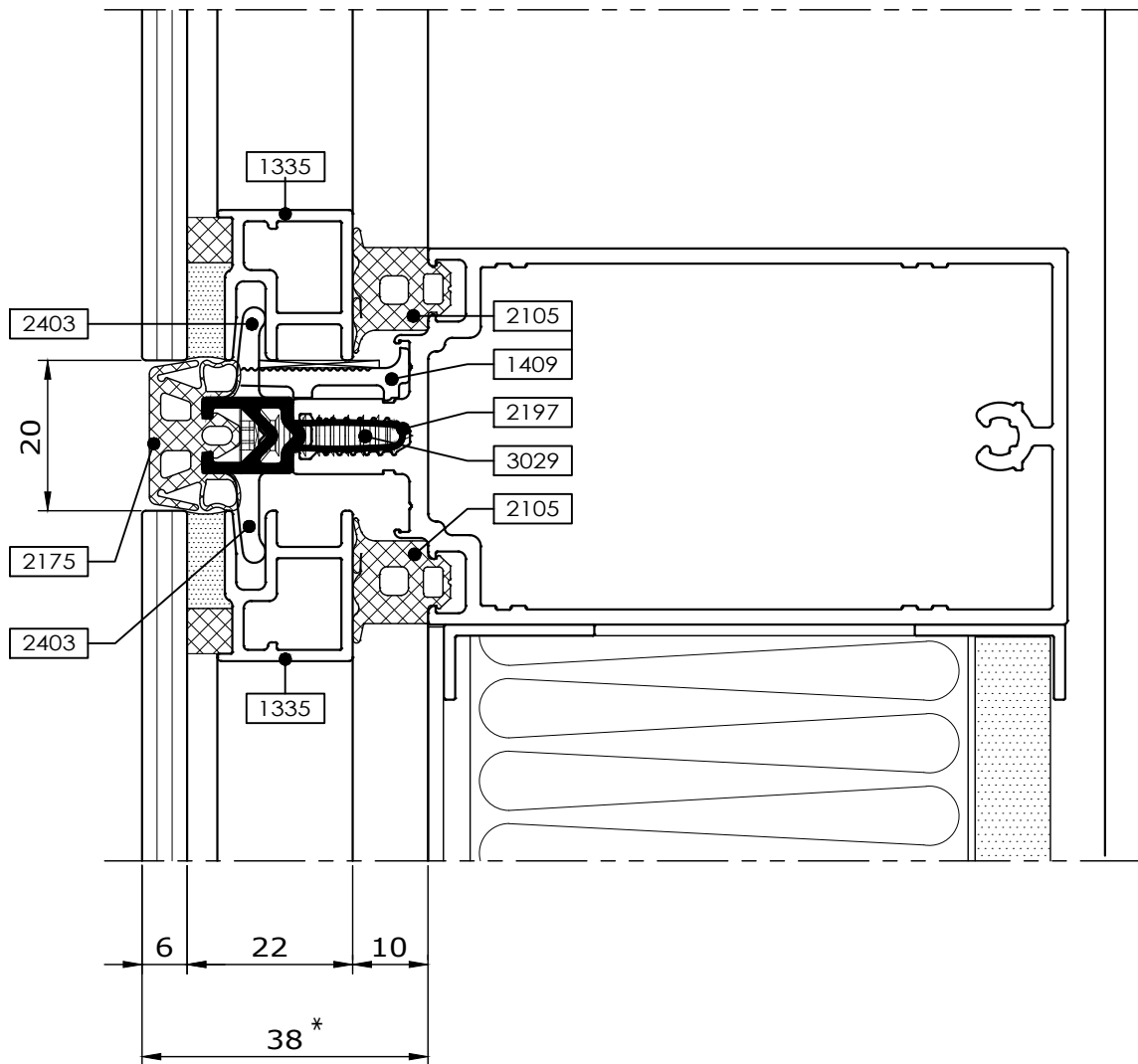
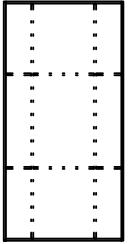
Copyright and ownership of this drawing is vested in EFT, Euro Facade Systems Ltd, whose prior written consent is required for its use, reproduction or for publication to any third party. All other rights reserved.

2

Typical details

Comar 6EFT

Transom detail
Single glazed
EPDM gasket seal



2.68

Fabricators Guide

* Refer to Glazing Chart for glazing options

Changes reserved
Sous reserve de modifications
Änderungen vorbehalten

Issue: 05
Date : 10 -16

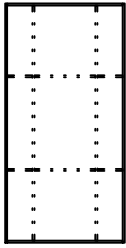


Typical details

2

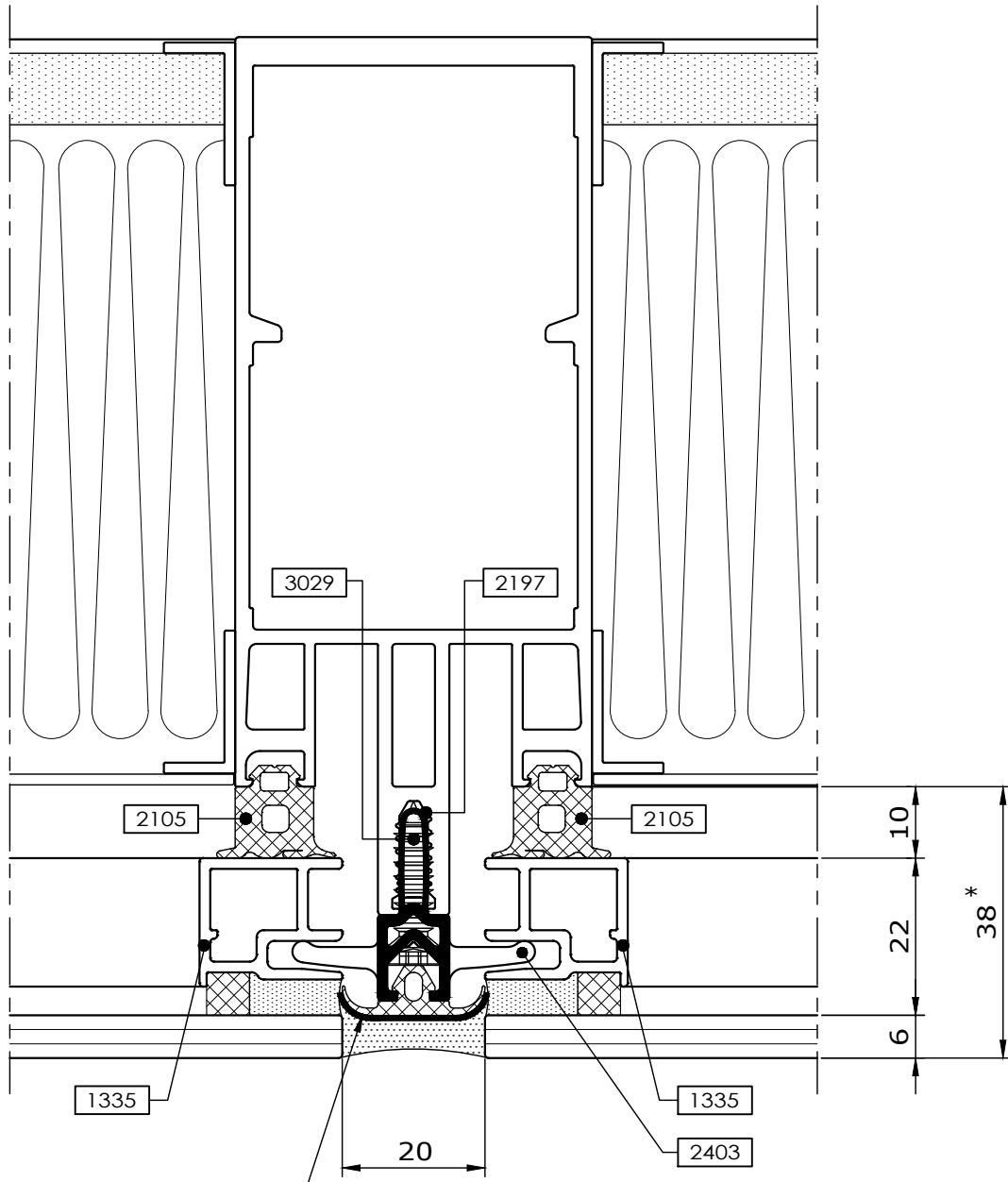
Comar 6EFT

Mullion detail
Single glazed
Silicone seal



2.69

Fabricators Guide



Any edge of gasket that will be exposed to external silicone seal must have bond breaker tape applied to its surface to prevent a three way seal

* Refer to Glazing Chart for glazing options

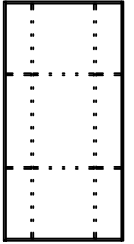
Copyright and ownership of this drawing is vested in EFT, Euro Facade Systems Ltd, whose prior written consent is required for its use, reproduction or for publication to any third party. All other rights reserved. Subject to modifications.



comar
ARCHITECTURAL ALUMINIUM SYSTEMS

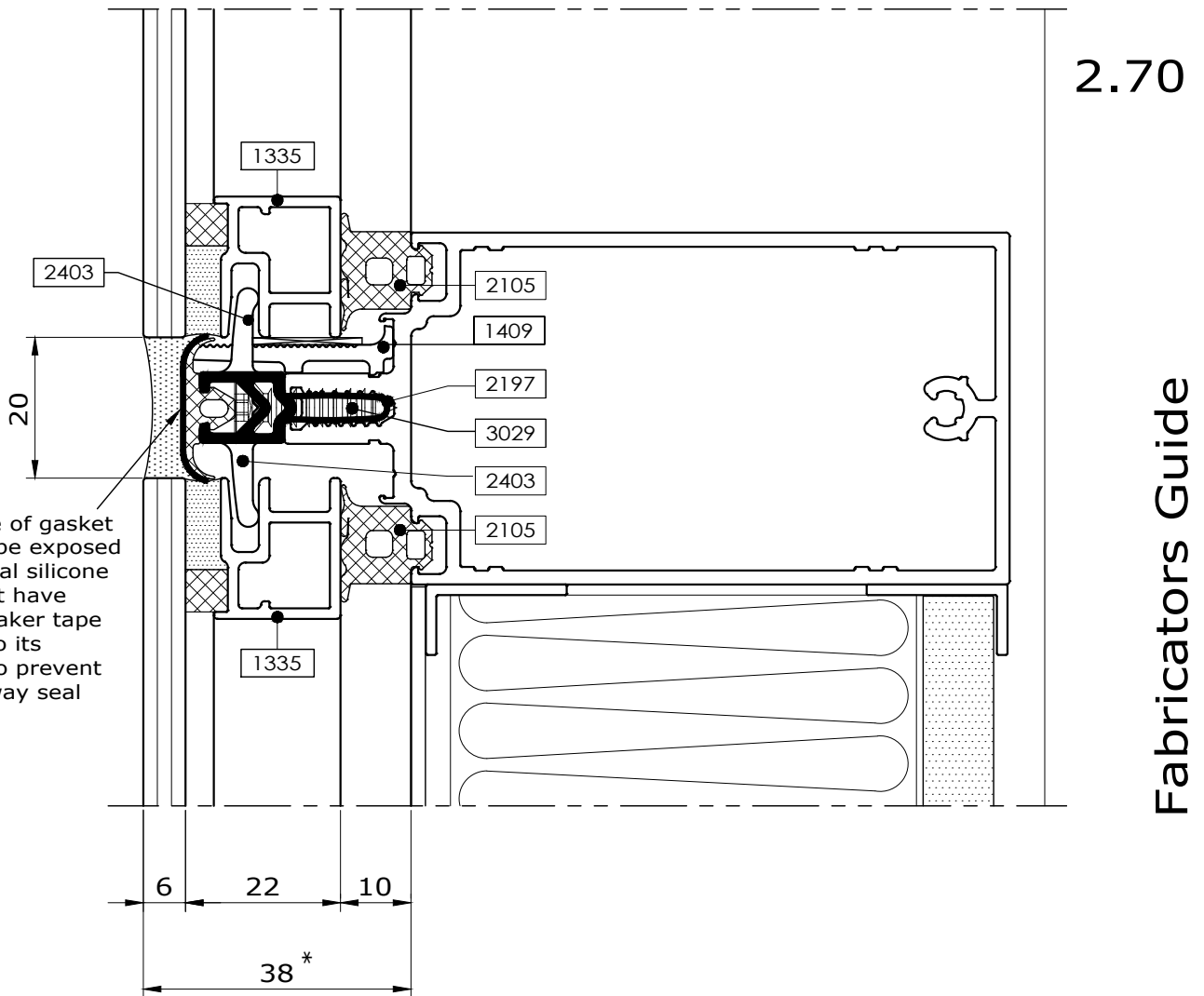
Changes reserved
Sous reserve de modifications
Änderungen vorbehalten

Issue: 05
Date : 10 -16



Transom detail
Single glazed
Silicone seal

Copyright and ownership of this drawing is vested in EFT, Euro Facade Systems Ltd, whose prior written consent is required for its use, reproduction or for publication to any third party. All other rights reserved.



* Refer to Glazing Chart for glazing options

Changes reserved
Sous reserve de modifications
Änderungen vorbehalten

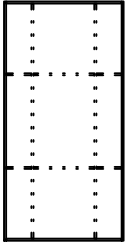
Issue: 05
Date : 10 -16

Typical details

2

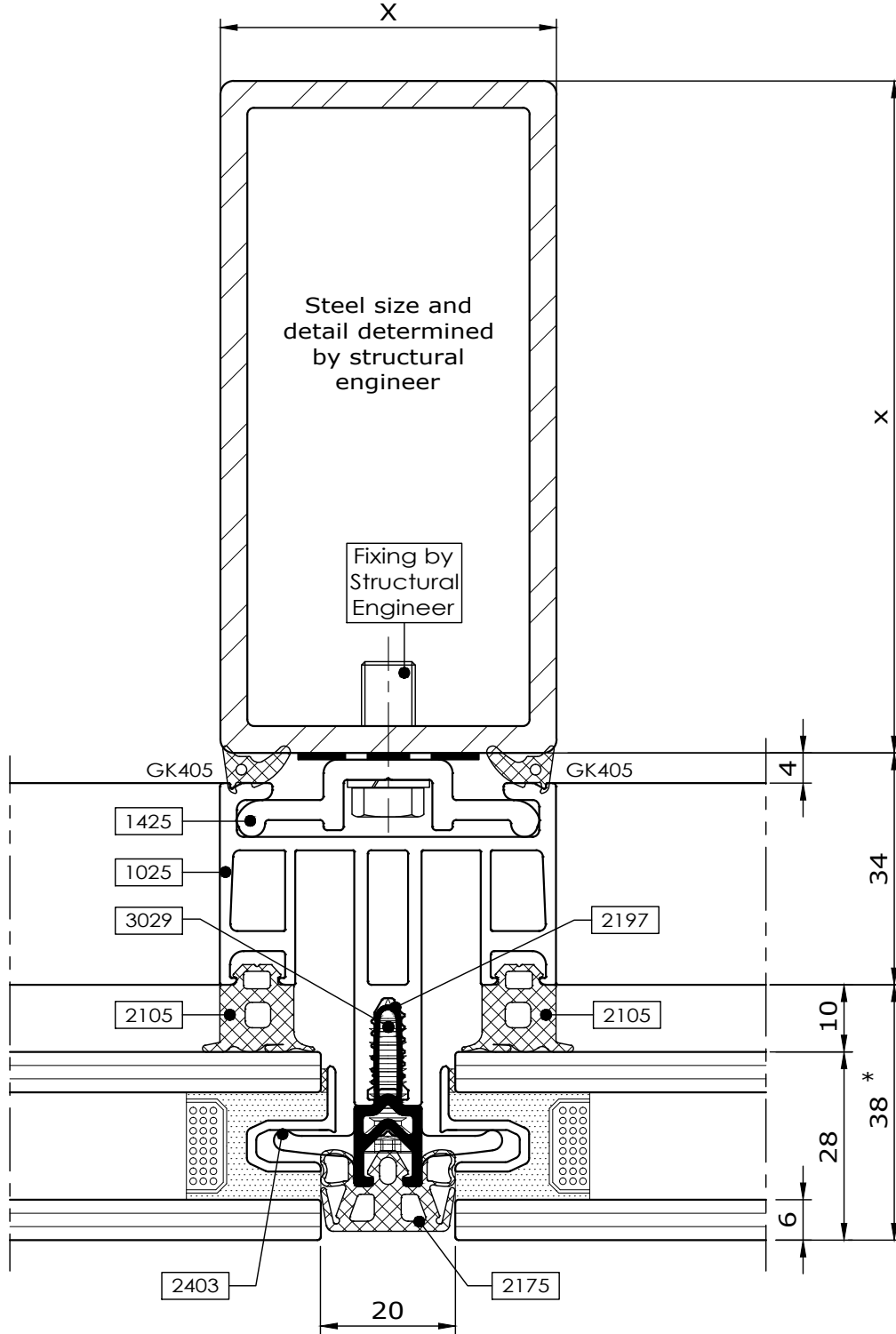
Comar 6EFT

Mullion details
Direct fix to steel
EPDM Gasket seal



2.71

Fabricators Guide



* Refer to Glazing Chart for glazing options



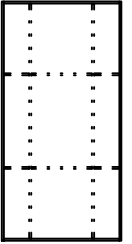
comar
ARCHITECTURAL ALUMINIUM SYSTEMS

Changes reserved
Sous reserve de modifications
Änderungen vorbehalten

Issue: 05
Date : 10 -16

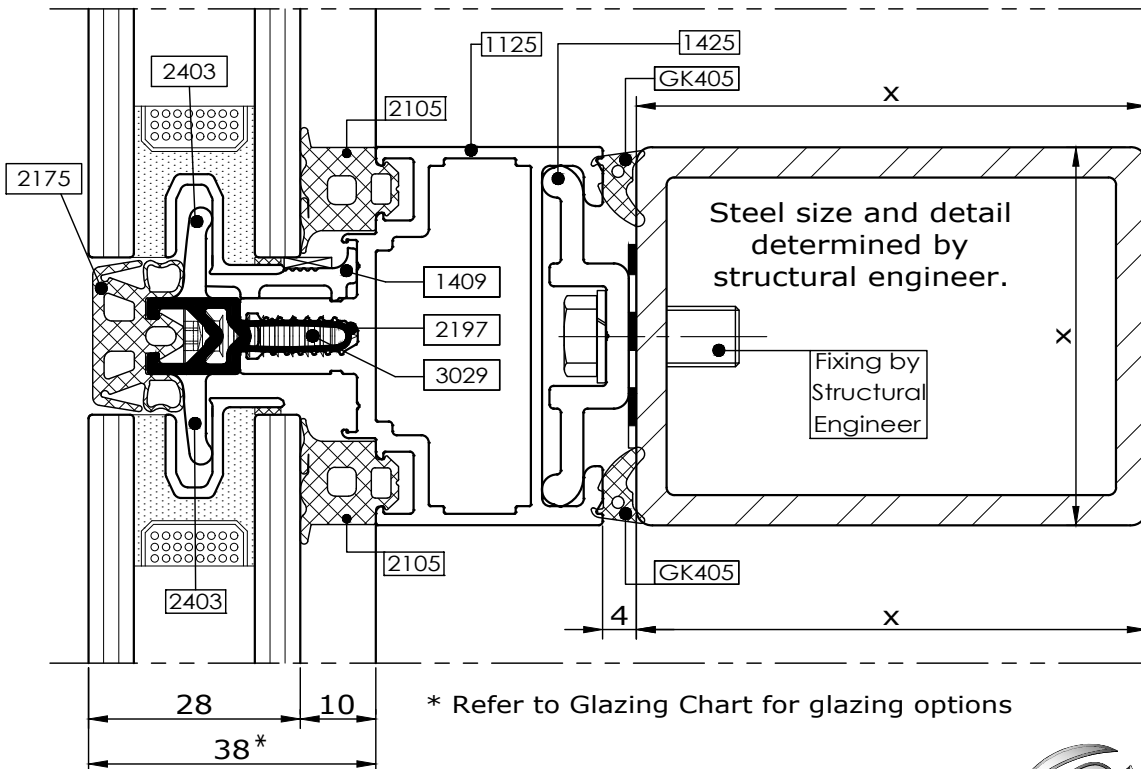
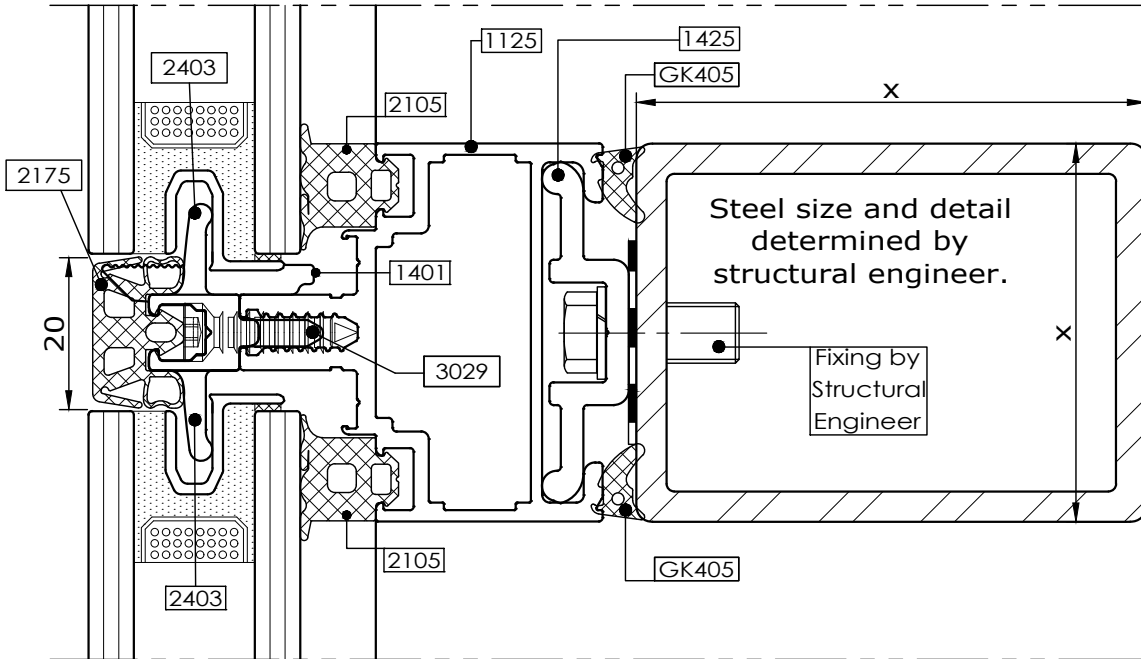
Copyright and ownership of this drawing is vested in EFT, Euro Facade Systems Ltd, whose prior written consent is required for its use, reproduction or for publication to any third party. All other rights reserved. Subject to modifications.

Transom detail
Direct fix to steel
EPDM gasket seal



2.72

Copyright and ownership of this drawing is vested in EFT, Euro Facade Systems Ltd, whose prior written consent is required for its use, reproduction or for publication to any third party. All other rights reserved. Subject to modifications.



Changes reserved
Sous reserve de modifications
Änderungen vorbehalten

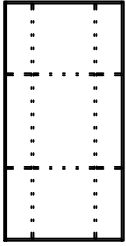
Issue: 05
Date : 02 -17

Typical details

2

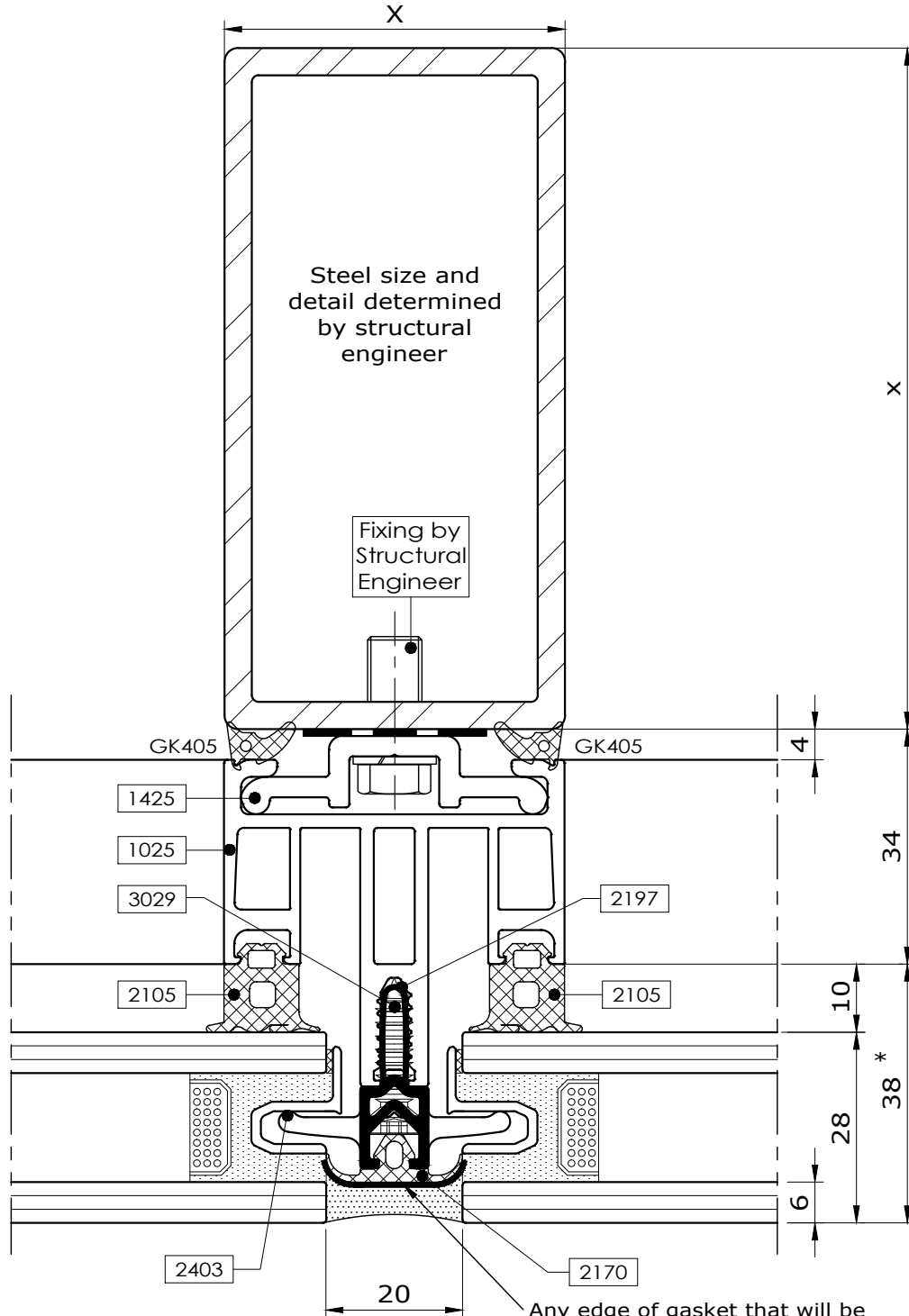
Comar 6EFT

Mullion detail
Direct fix to steel
Silicone seal



2.73

Fabricators Guide



* Refer to Glazing Chart for glazing options

Any edge of gasket that will be exposed to external silicone seal must have bond breaker tape applied to its surface to prevent a three way seal



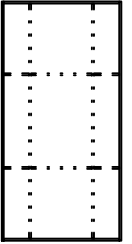
comar
ARCHITECTURAL ALUMINIUM SYSTEMS

Changes reserved
Sous reserve de modifications
Änderungen vorbehalten

Issue: 05
Date : 10 -16

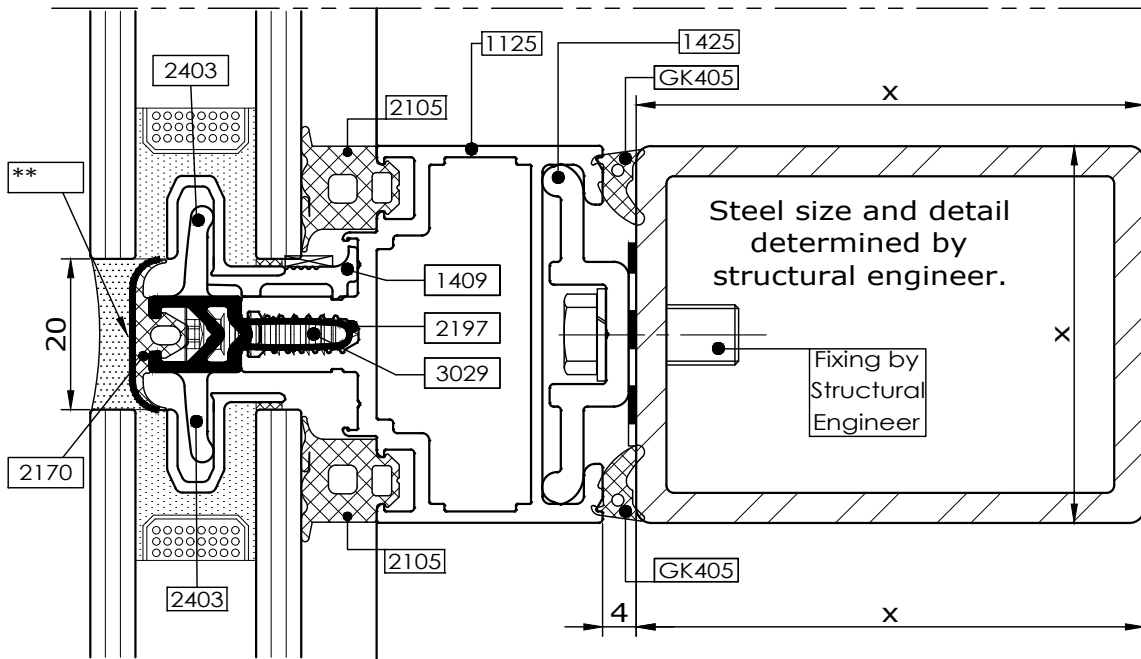
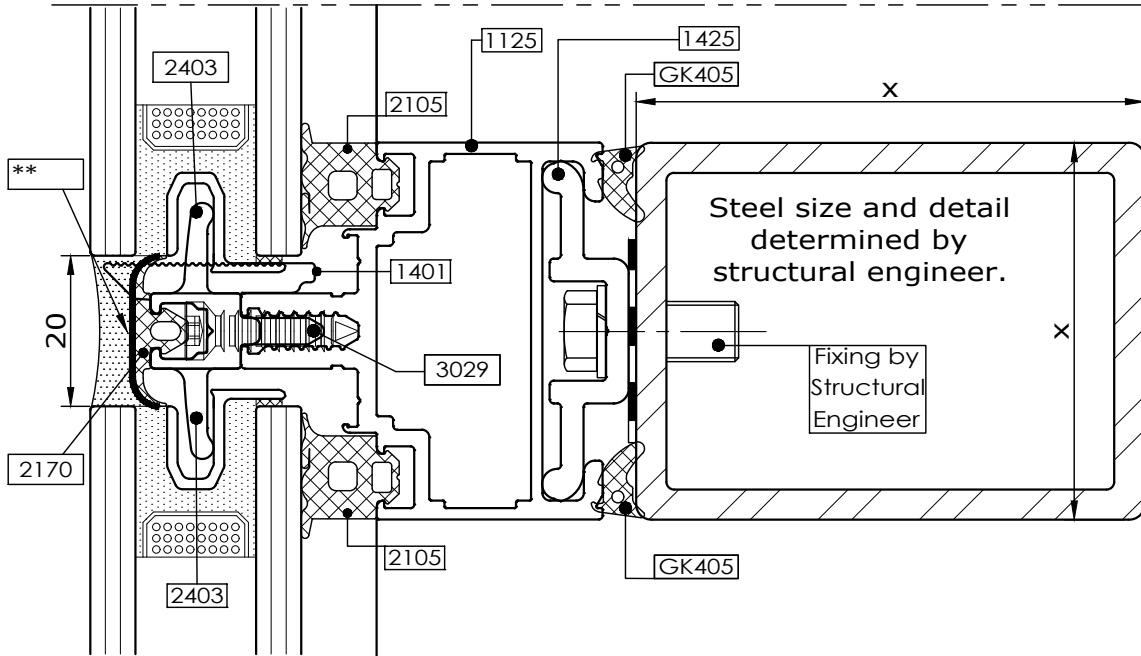
Copyright and ownership of this drawing is vested in EFT, Euro Facade Systems Ltd, whose prior written consent is required for its use, reproduction or for publication to any third party. All other rights reserved. Subject to modifications.

Transom detail
Direct fix to steel
Silicone seal



2.74

Copyright and ownership of this drawing is vested in EFT, Euro Facade Systems Ltd, whose prior written consent is required for its use, reproduction or for publication to any third party. All other rights reserved. Subject to modifications.



28 10
38*

- * Refer to Glazing Chart for glazing options
- ** Any edge of gasket that will be exposed to external silicone seal must have bond breaker tape applied to its surface to prevent a three way seal

Changes reserved
Sous reserve de modifications
Änderungen vorbehalten

Issue: 05
Date : 02 -17

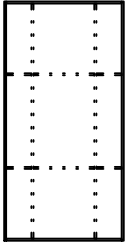


Typical details

2

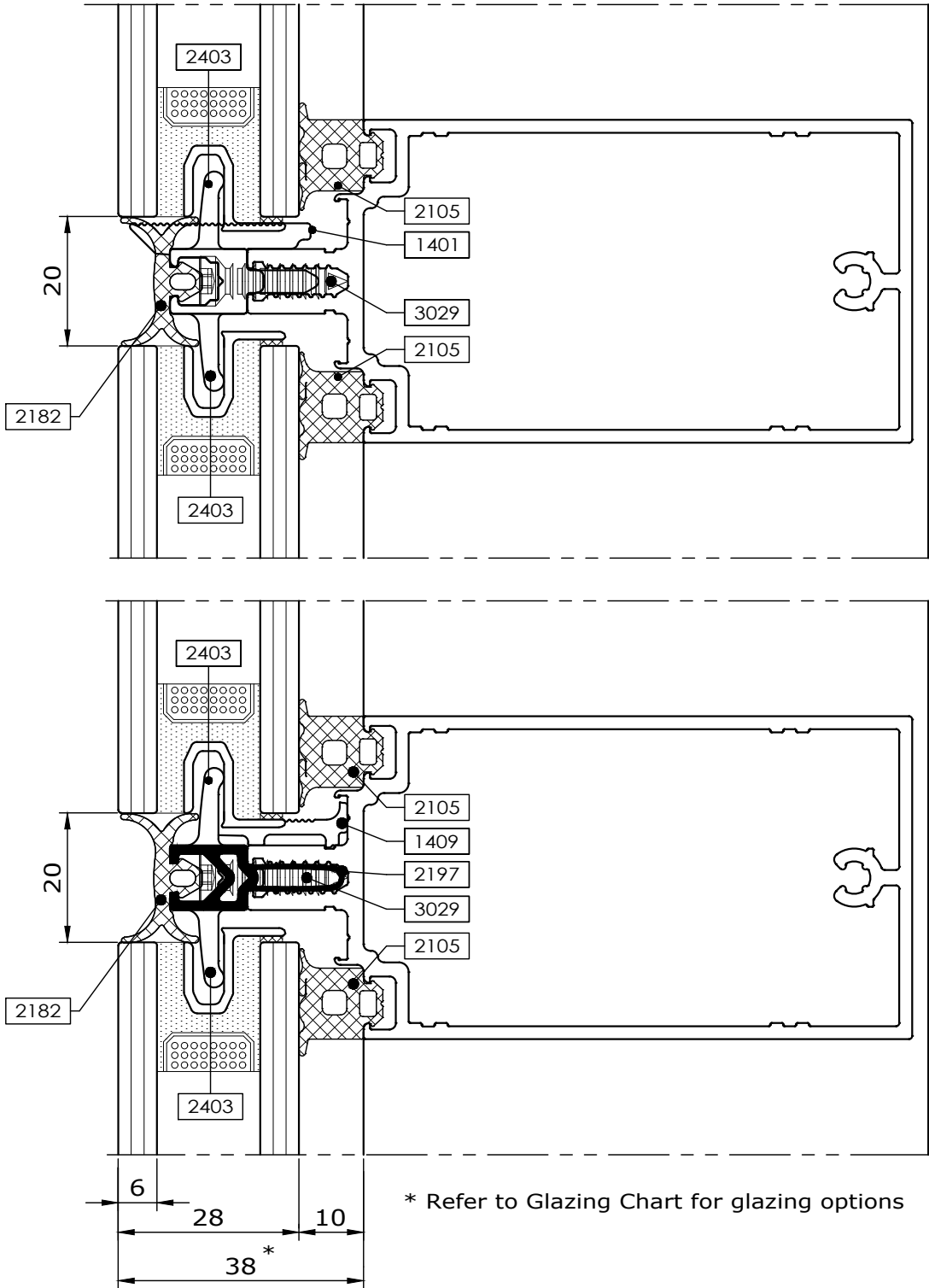
Comar 6EFT

Transom detail.
Gasket seal



2.75

Fabricators Guide



Copyright and ownership of this drawing is vested in EFT, Euro Facade Systems Ltd, whose prior written consent is required for its use, reproduction or for publication to any third party. All other rights reserved. Subject to modifications.

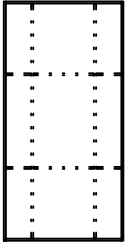


comar
ARCHITECTURAL ALUMINIUM SYSTEMS

Changes reserved
Sous reserve de modifications
Änderungen vorbehalten

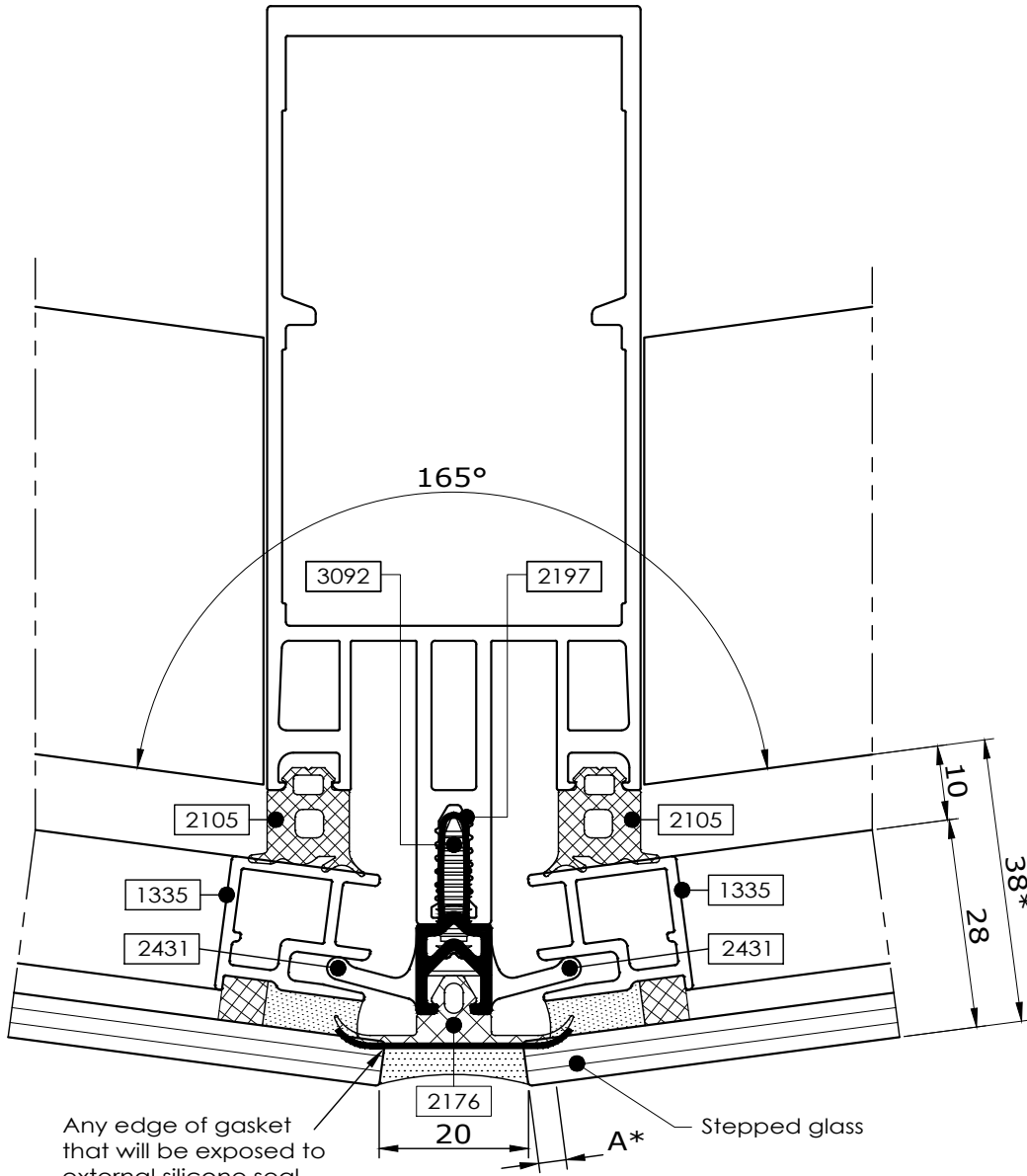
Issue: 05
Date : 10 -16

Mullion detail
Facetted facade - Single glazed
7.5° maximum



2.76

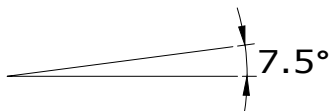
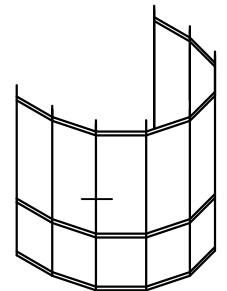
Copyright and ownership of this drawing is vested in EFT, Euro Facade Systems Ltd, whose prior written consent is required for its use, reproduction or for publication to any third party. All other rights reserved.



Any edge of gasket that will be exposed to external silicone seal must have bond breaker tape applied to its surface to prevent a three way seal

* Refer to Glazing Chart for glazing options

Fabricators Guide



Changes reserved
Sous reserve de modifications
Änderungen vorbehalten

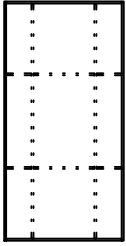
Issue: 05
Date : 10 -16

Typical details

2

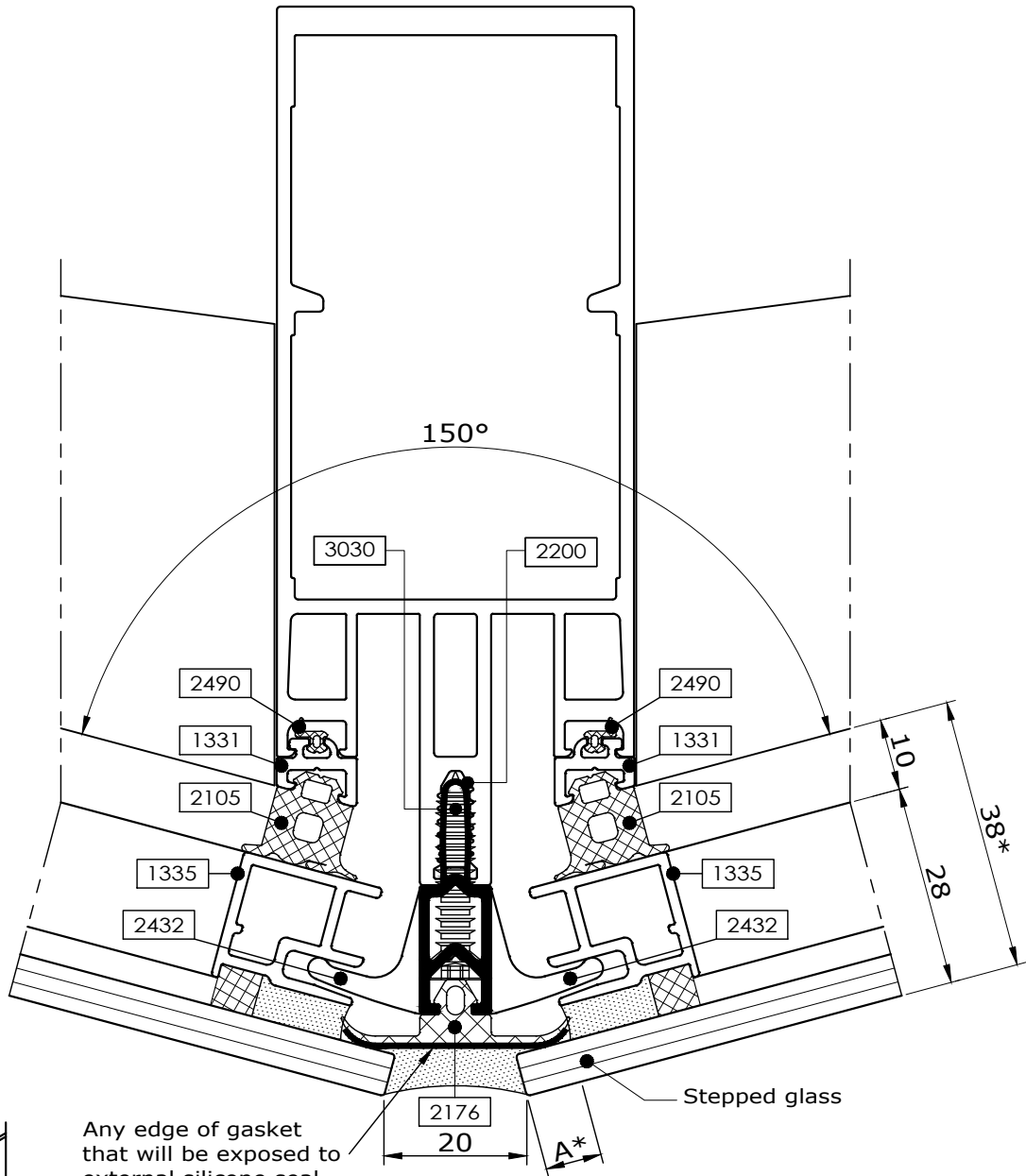
Comar 6EFT

Mullion detail, Facetted facade - Single glazed 15° nominal

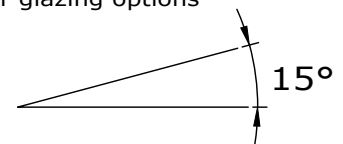


2.76.1

Fabricators Guide

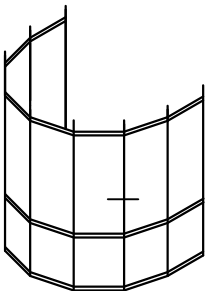


* Refer to Glazing Chart for glazing options



Changes reserved
Sous reserve de modifications
Änderungen vorbehalten

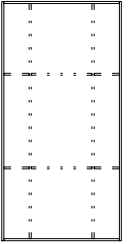
Copyright and ownership of this drawing is vested in EFT, Euro Facade Systems Ltd, whose prior written consent is required for its use, reproduction or for publication to any third party. All other rights reserved. Subject to modifications.



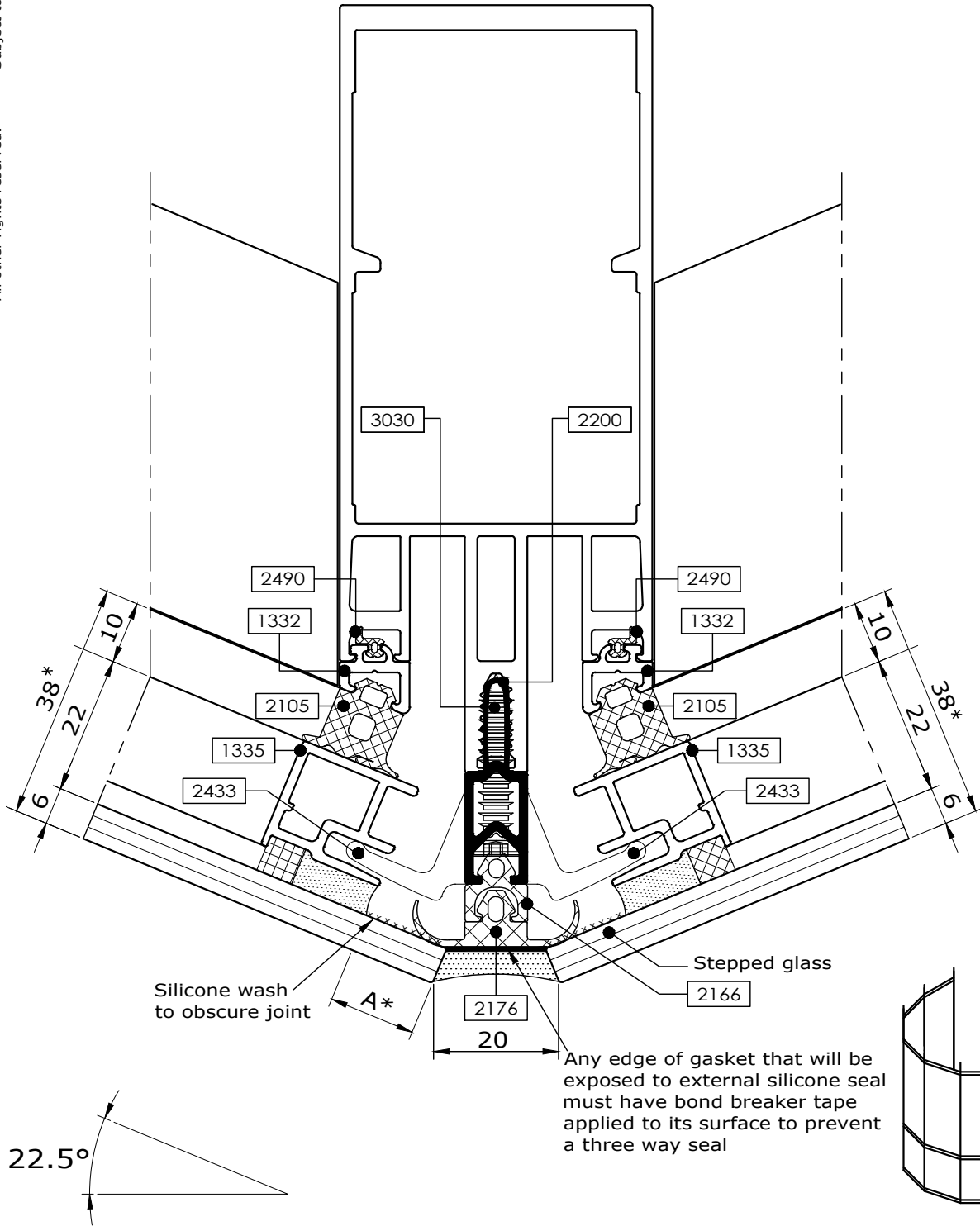
comar
ARCHITECTURAL ALUMINIUM SYSTEMS

Issue: 05
Date : 10-16

Mullion detail
Facetted facade - Single glazed
22.5° nominal



2.77



Copyright and ownership of this drawing is vested in EFT, Euro Facade Systems Ltd, whose prior written consent is required for its use, reproduction or for publication to any third party. All other rights reserved.

22.5°

* Refer to Glazing Chart for glazing options

Changes reserved
Sous reserve de modifications
Änderungen vorbehalten

Issue: 05
Date : 10 -16

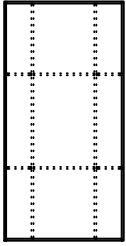


Typical details

2

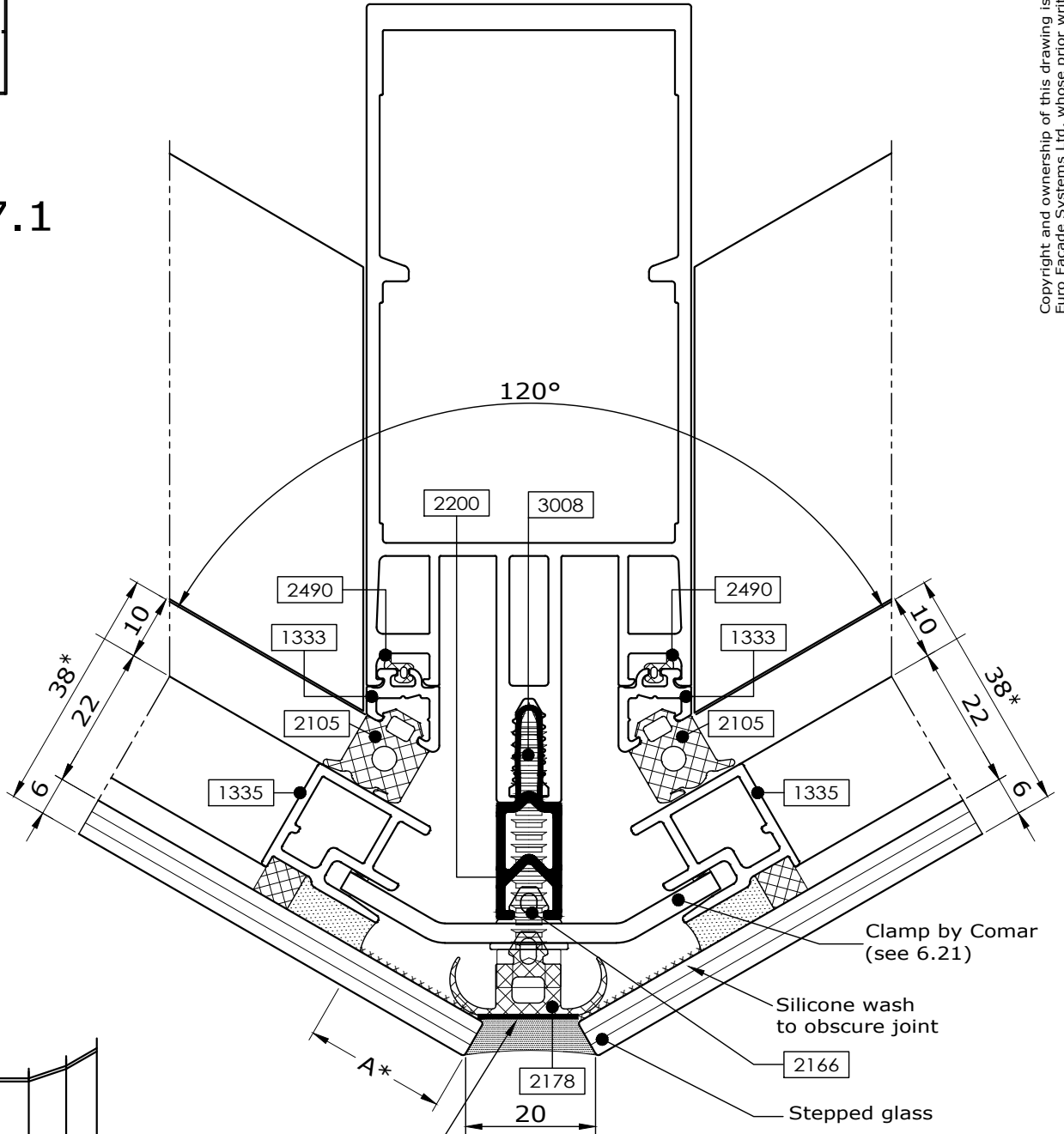
Comar 6EFT

Mullion detail Facetted facade 30° nominal



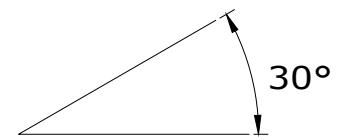
2.77.1

Fabricators Guide



Any edge of gasket that will be exposed to external silicone seal must have bond breaker tape applied to its surface to prevent a three way seal

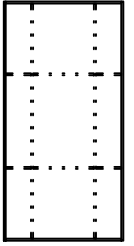
* Refer to Glazing Chart for glazing options



Changes reserved
Sous reserve de modifications
Änderungen vorbehalten

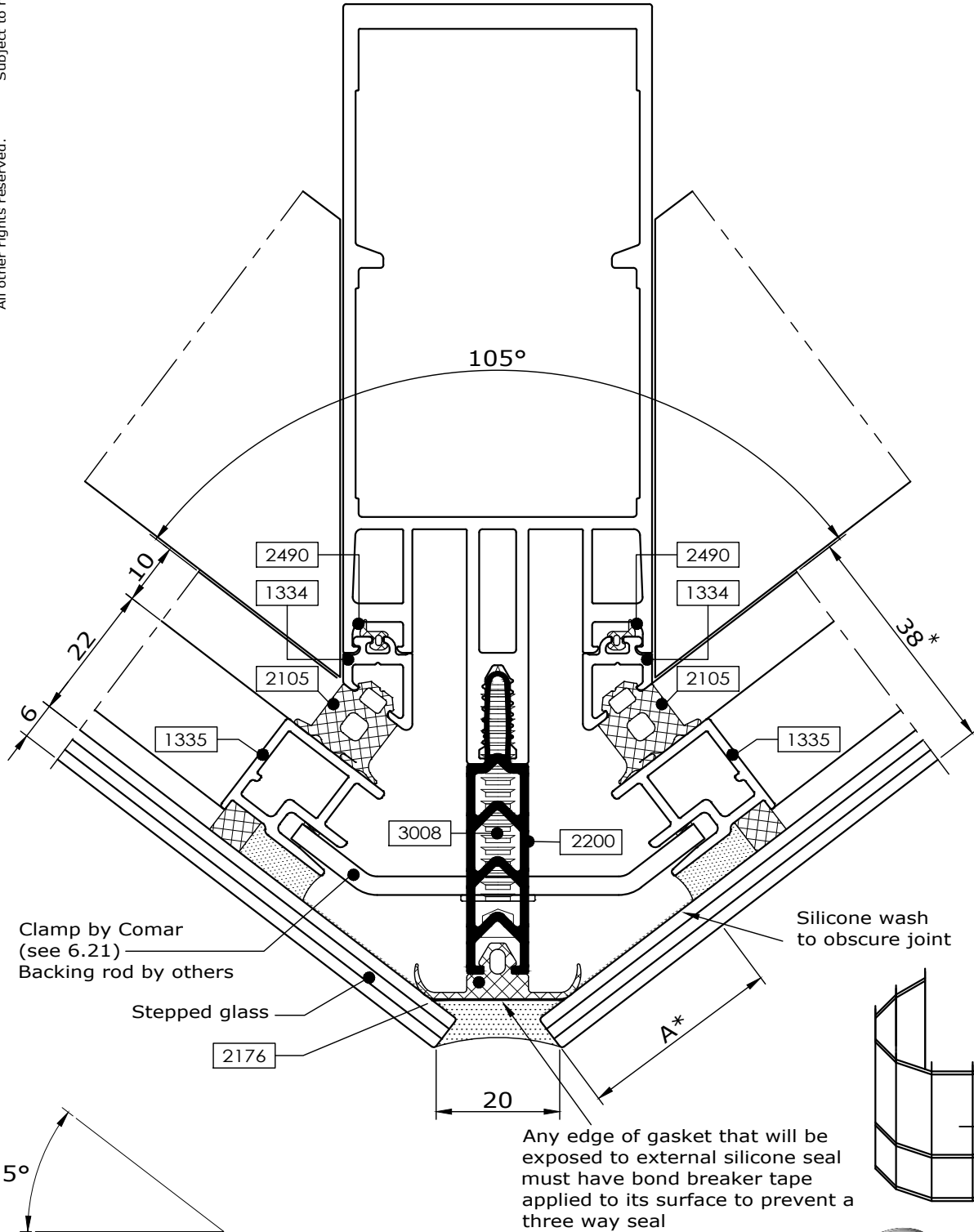
Copyright and ownership of this drawing is vested in EFT, Euro Facade Systems Ltd, whose prior written consent is required for its use, reproduction or for publication to any third party. All other rights reserved. Subject to modifications.

Mullion detail
Facetted facade
37.5° nominal



2.78

Copyright and ownership of this drawing is vested in EFT, Euro Facade Systems Ltd, whose prior written consent is required for its use, reproduction or for publication to any third party. All other rights reserved.



* Refer to Glazing Chart for glazing options

Changes reserved
Sous reserve de modifications
Änderungen vorbehalten

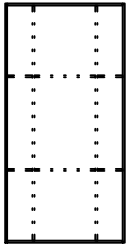
Issue: 05
Date : 10 -16

Typical details

2

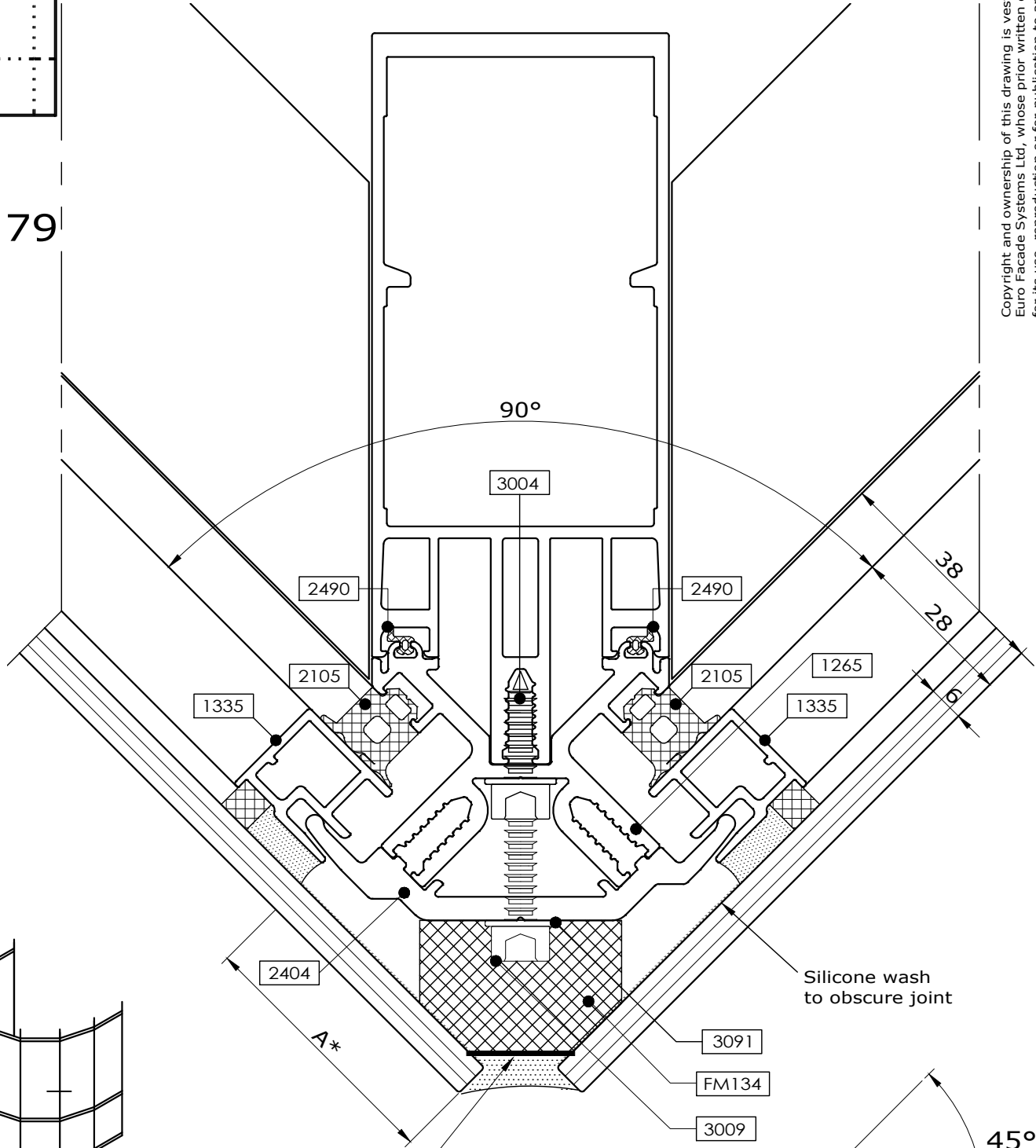
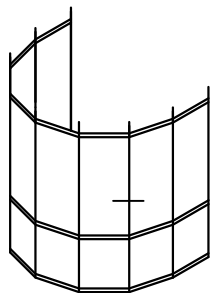
Comar 6EFT

Mullion detail, Facetted facade - Single glazed 45° nominal



2.79

Fabricators Guide



Any edge of gasket that will be exposed to external silicone seal must have bond breaker tape applied to its surface to prevent a three way seal

* Refer to Glazing Chart for glazing options

Changes reserved
 Sous reserve de modifications
 Änderungen vorbehalten

Copyright and ownership of this drawing is vested in EFT, Euro Facade Systems Ltd, whose prior written consent is required for its use, reproduction or for publication to any third party. All other rights reserved. Subject to modifications.

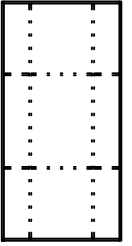


2

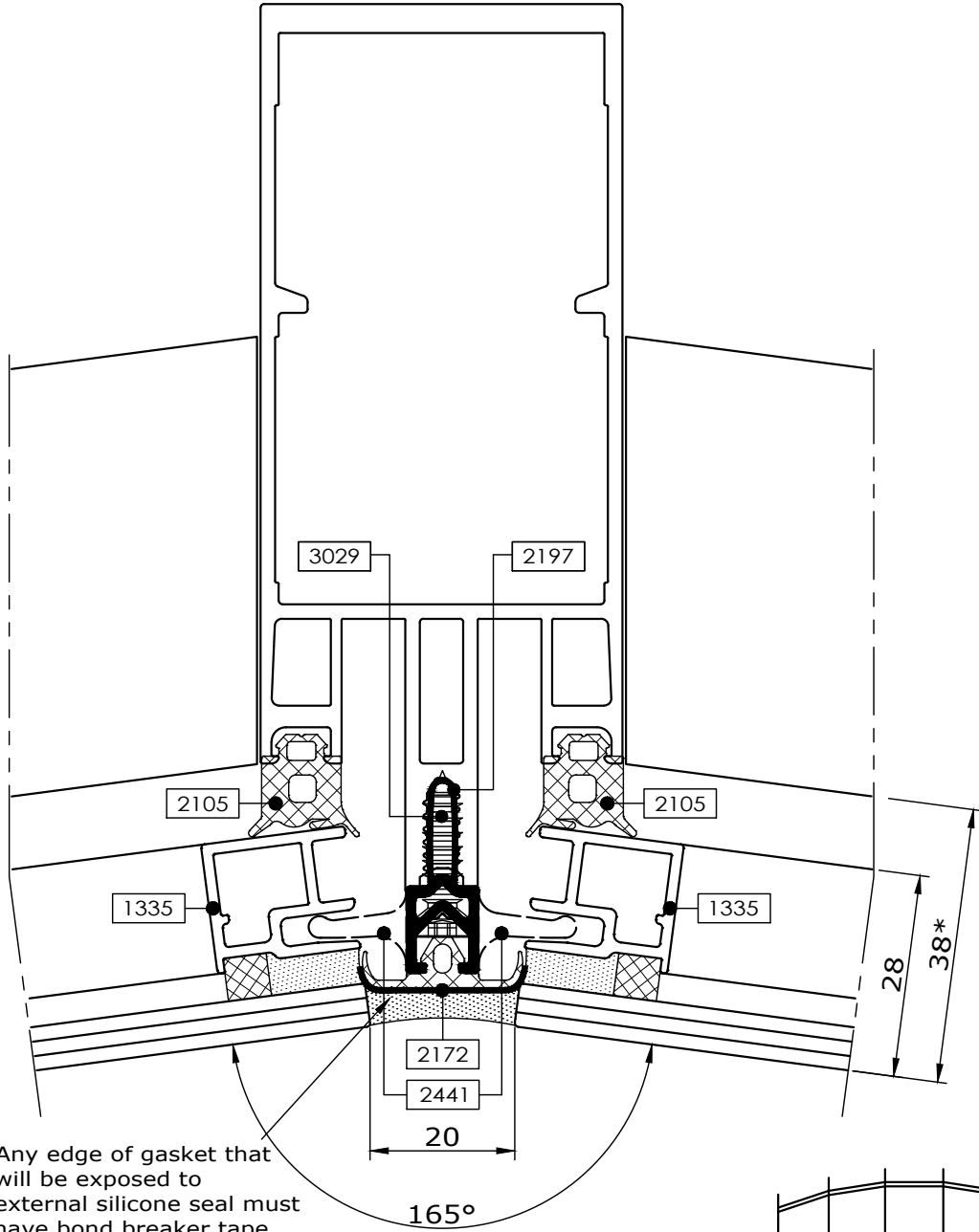
Typical details

Comar 6EFT

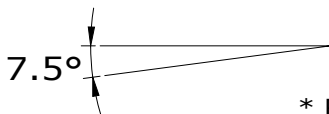
Mullion detail
Facetted facade - Single glazed
7.5° maximum



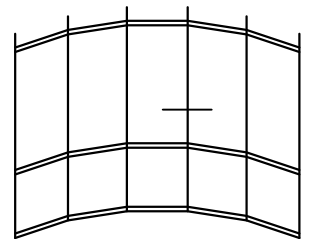
2.80



Any edge of gasket that will be exposed to external silicone seal must have bond breaker tape applied to its surface to prevent a three way seal



* Refer to Glazing Chart for glazing options



Fabricators Guide

Copyright and ownership of this drawing is vested in EFT, Euro Facade Systems Ltd, whose prior written consent is required for its use, reproduction or for publication to any third party. All other rights reserved.

Changes reserved
Sous reserve de modifications
Änderungen vorbehalten

Issue: 05
Date : 10 -16

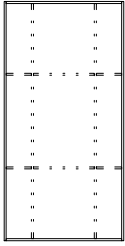


Typical details

2

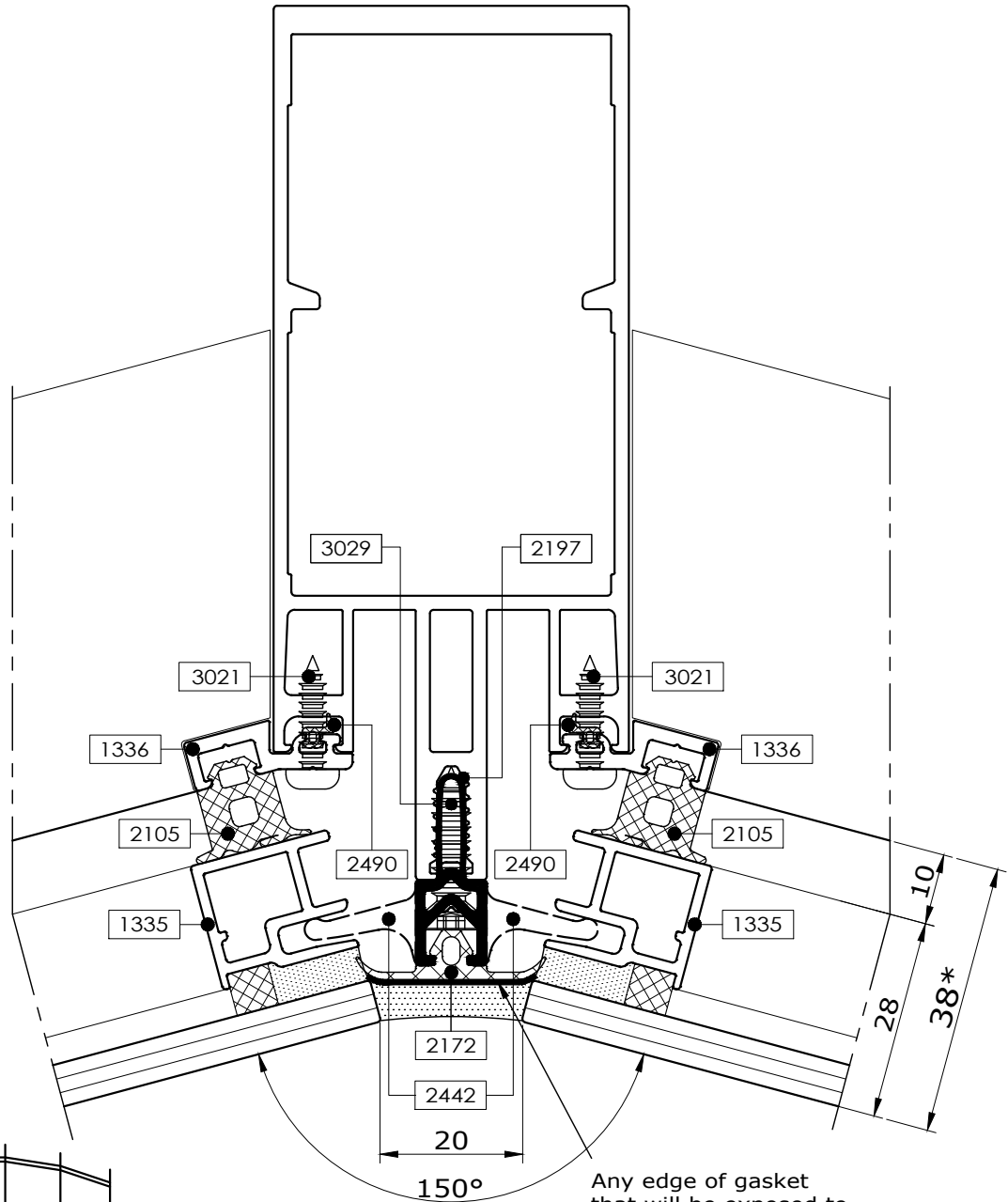
Comar 6EFT

Mullion detail, Facetted facade - Single glazed 15° nominal

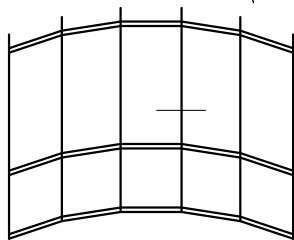


2.80.1

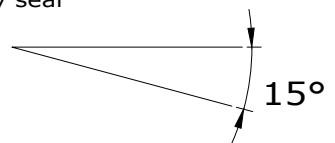
Fabricators Guide



Any edge of gasket that will be exposed to external silicone seal must have bond breaker tape applied to its surface to prevent a three way seal

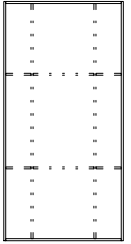


* Refer to Glazing Chart for glazing options



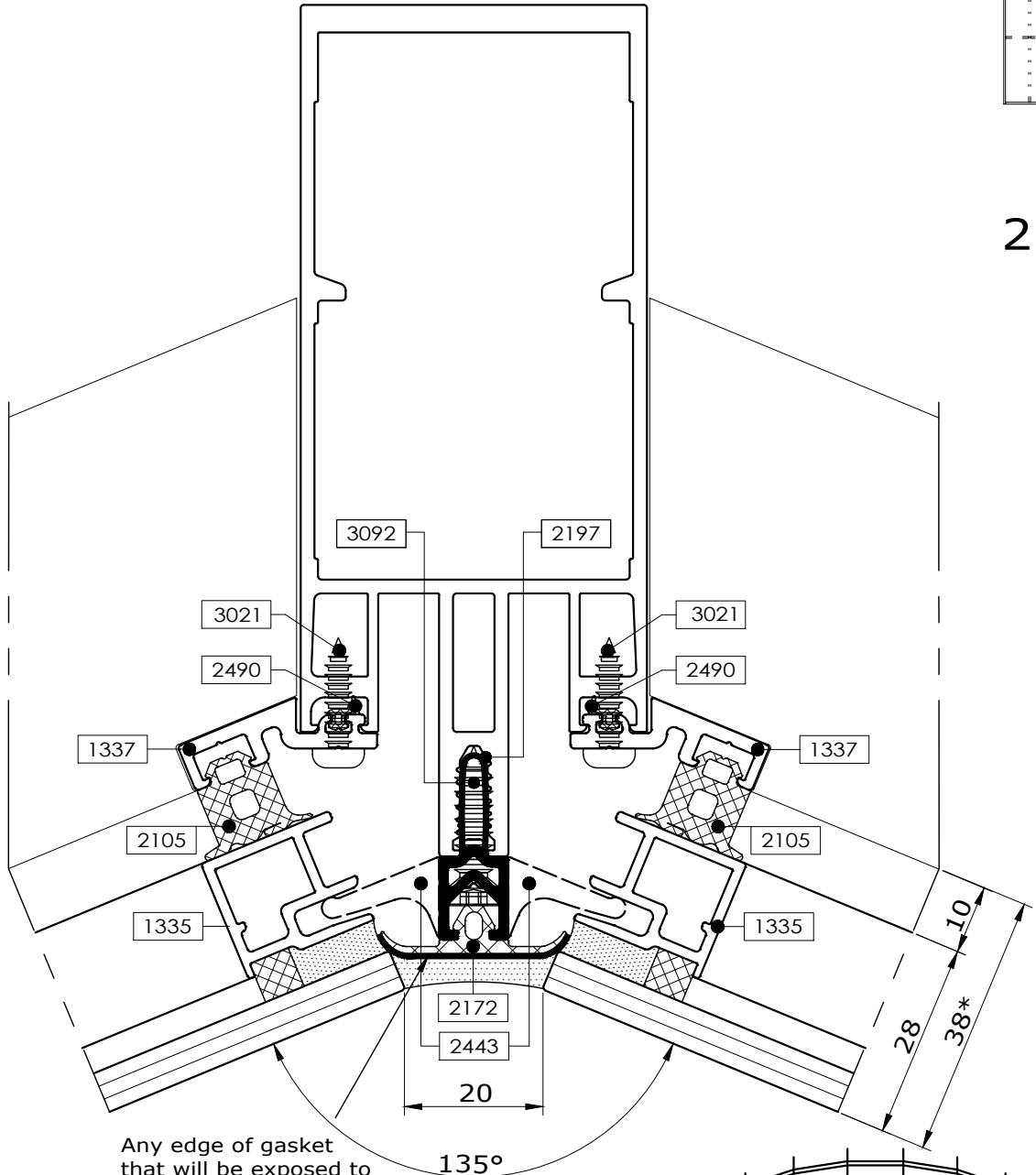
Changes reserved
Sous reserve de modifications
Änderungen vorbehalten

Mullion detail
Facetted facade - Single glazed
22.5° nominal

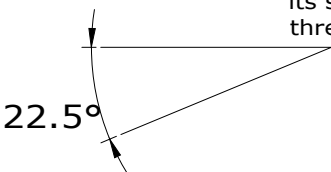


2.81

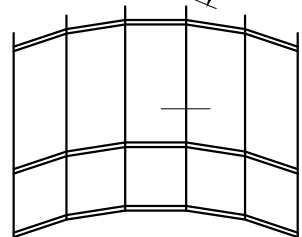
Copyright and ownership of this drawing is vested in EFT, Euro Facade Systems Ltd, whose prior written consent is required for its use, reproduction or for publication to any third party. All other rights reserved.



Any edge of gasket that will be exposed to external silicone seal must have bond breaker tape applied to its surface to prevent a three way seal



* Refer to Glazing Chart for glazing options



Changes reserved
Sous reserve de modifications
Änderungen vorbehalten

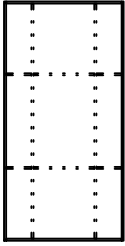
Issue: 05
Date : 10 -16

Typical details

2

Comar 6EFT

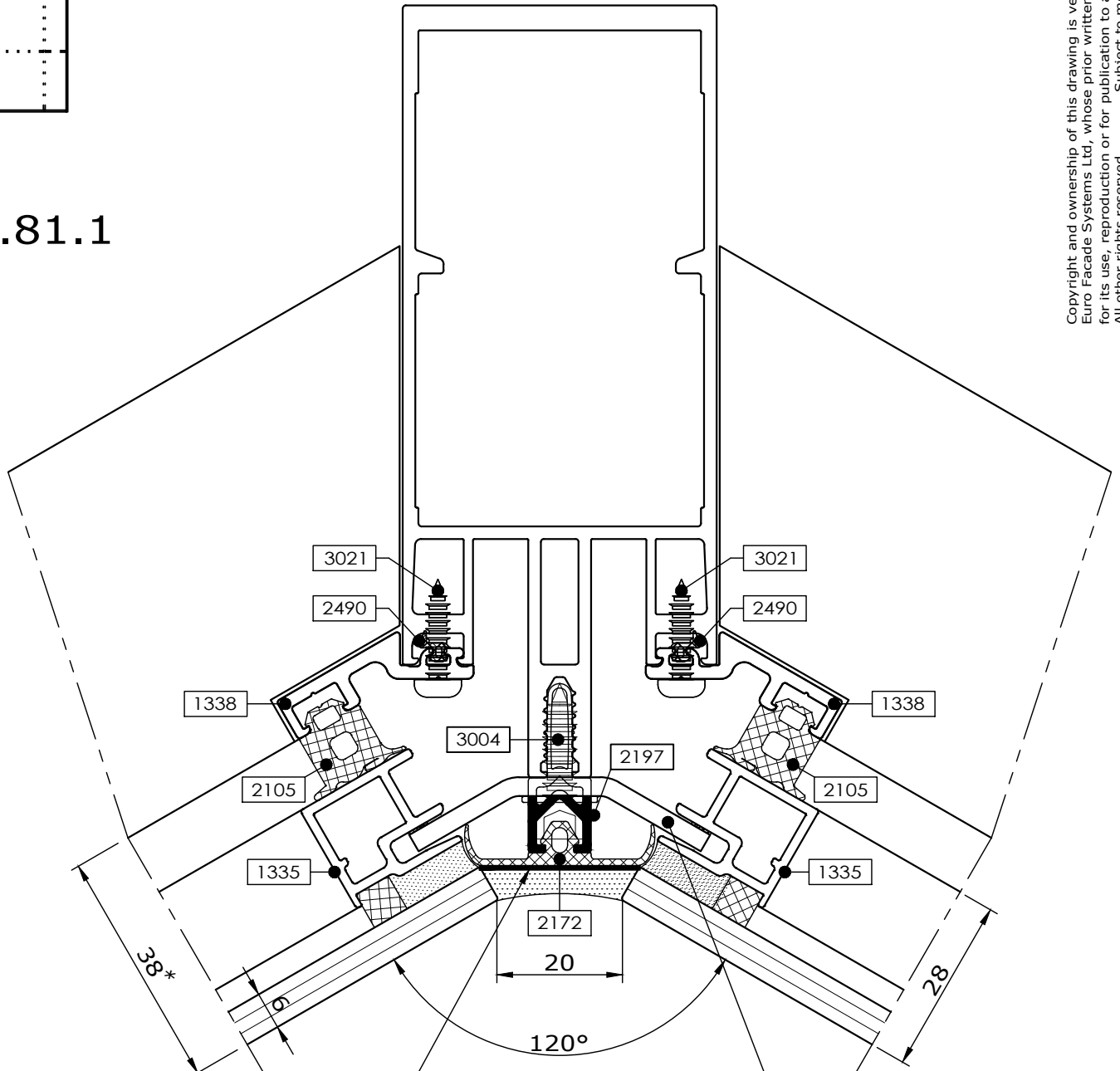
Mullion detail, Facetted facade - Single glazed 30° nominal



2.81.1

Fabricators Guide

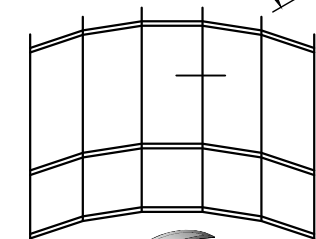
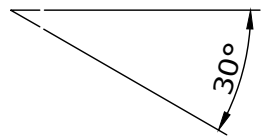
Copyright and ownership of this drawing is vested in EFT, Euro Facade Systems Ltd, whose prior written consent is required for its use, reproduction or for publication to any third party. All other rights reserved. Subject to modifications.



Any edge of gasket that will be exposed to external silicone seal must have bond breaker tape applied to its surface to prevent a three way seal

Clamp by Comar (see 6.21)

* Refer to Glazing Chart for glazing options

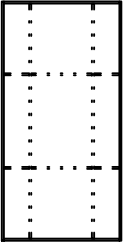


comar
ARCHITECTURAL ALUMINIUM SYSTEMS

Changes reserved
Sous reserve de modifications
Änderungen vorbehalten

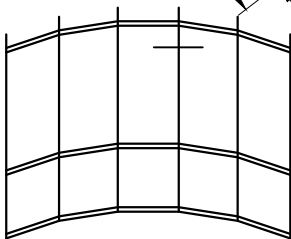
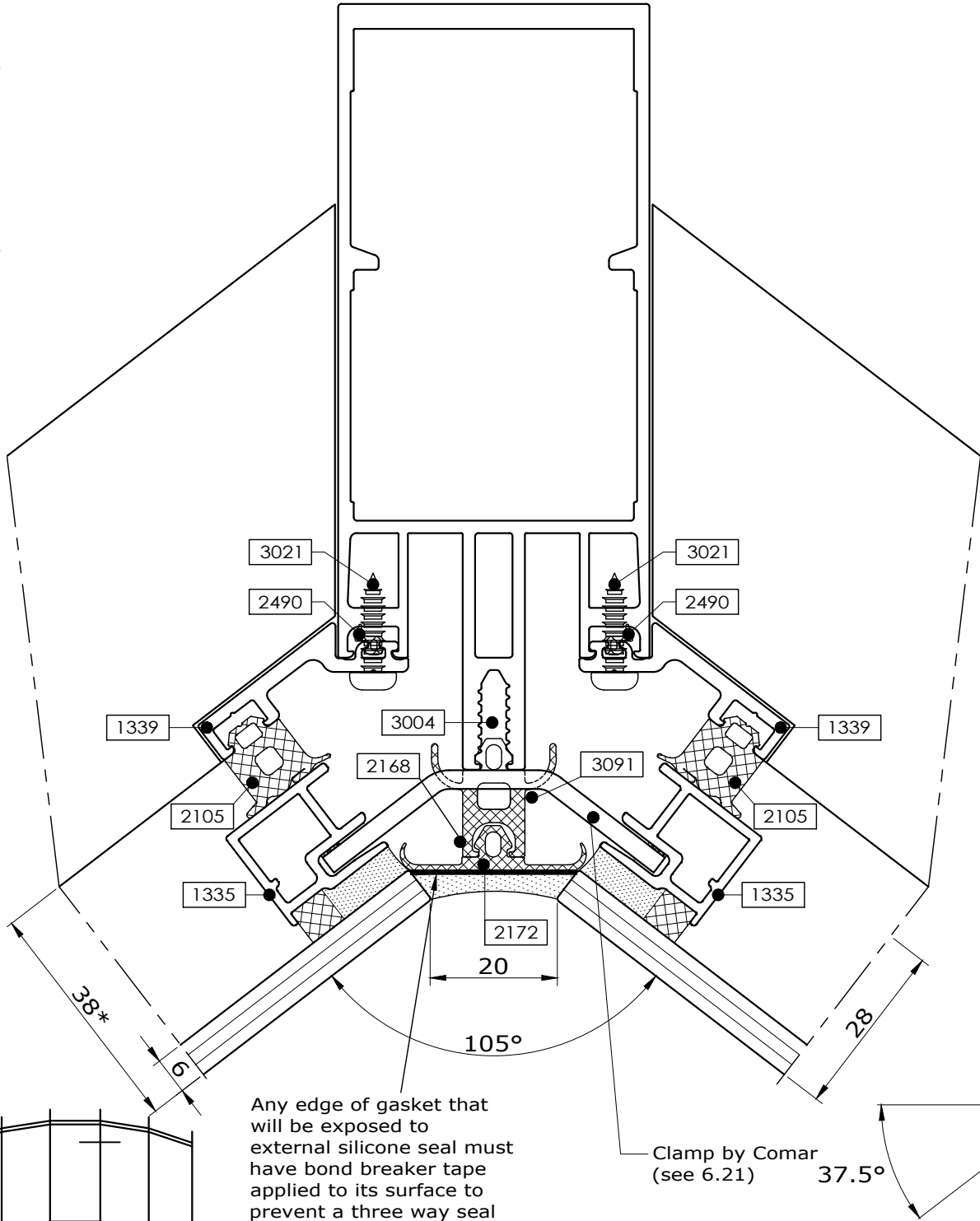
Issue: 05
Date : 10 -16

Mullion detail
Facetted facade - Single glazed
37.5° nominal



2.82

Copyright and ownership of this drawing is vested in EFT, Euro Facade Systems Ltd, whose prior written consent is required for its use, reproduction or for publication to any third party. All other rights reserved. Subject to modifications.



* Refer to Glazing Chart for glazing options

Changes reserved
Sous reserve de modifications
Änderungen vorbehalten

Issue: 05
Date : 10 -16

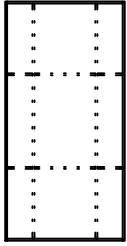


Typical details

2

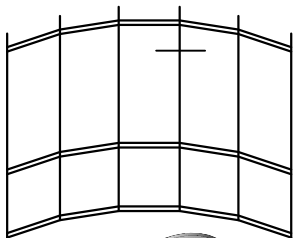
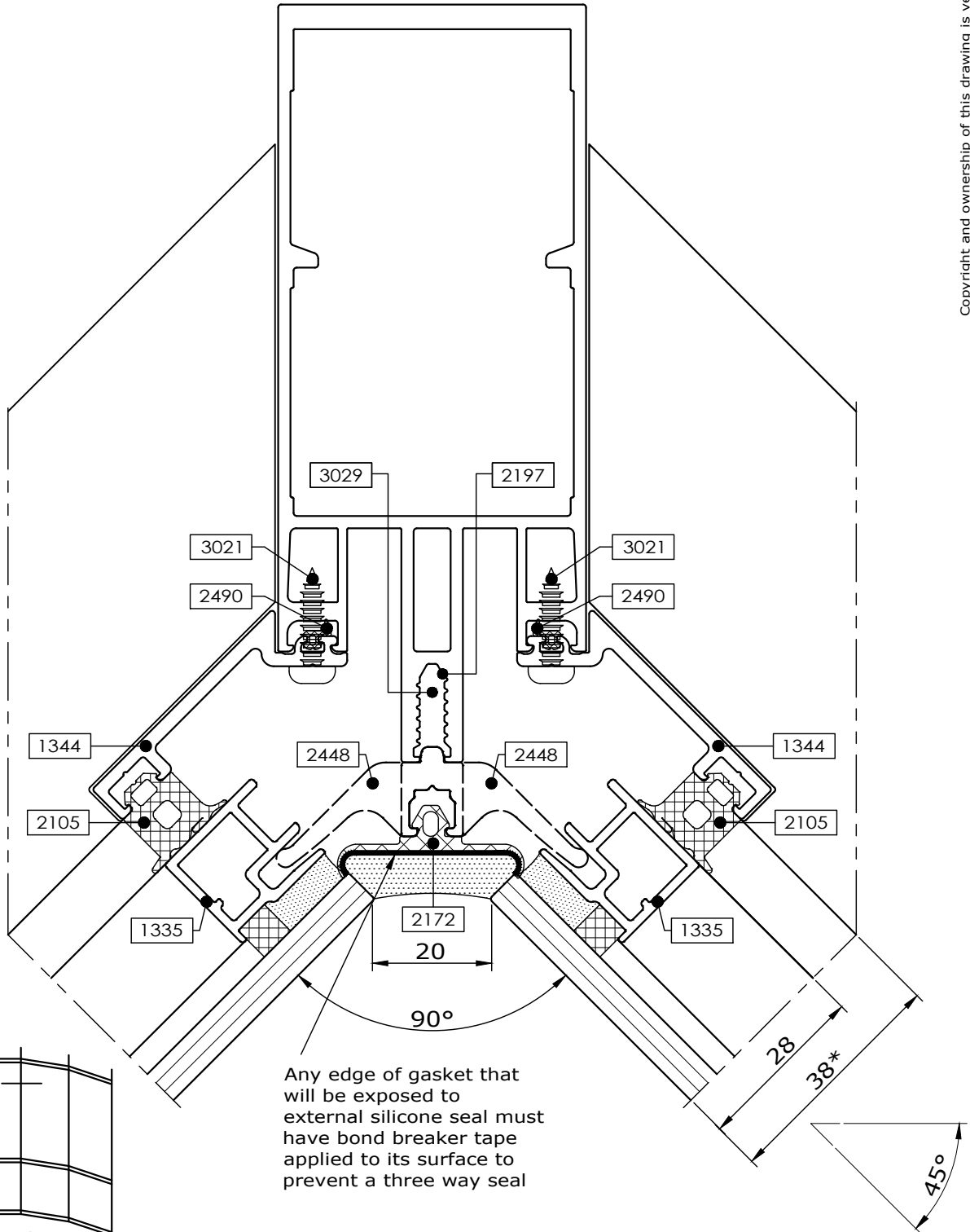
Comar 6EFT

Mullion detail, Facetted facade - Single glazed 45° nominal



2.83

Fabricators Guide



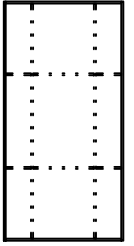
* Refer to Glazing Chart for glazing options

2

Typical details

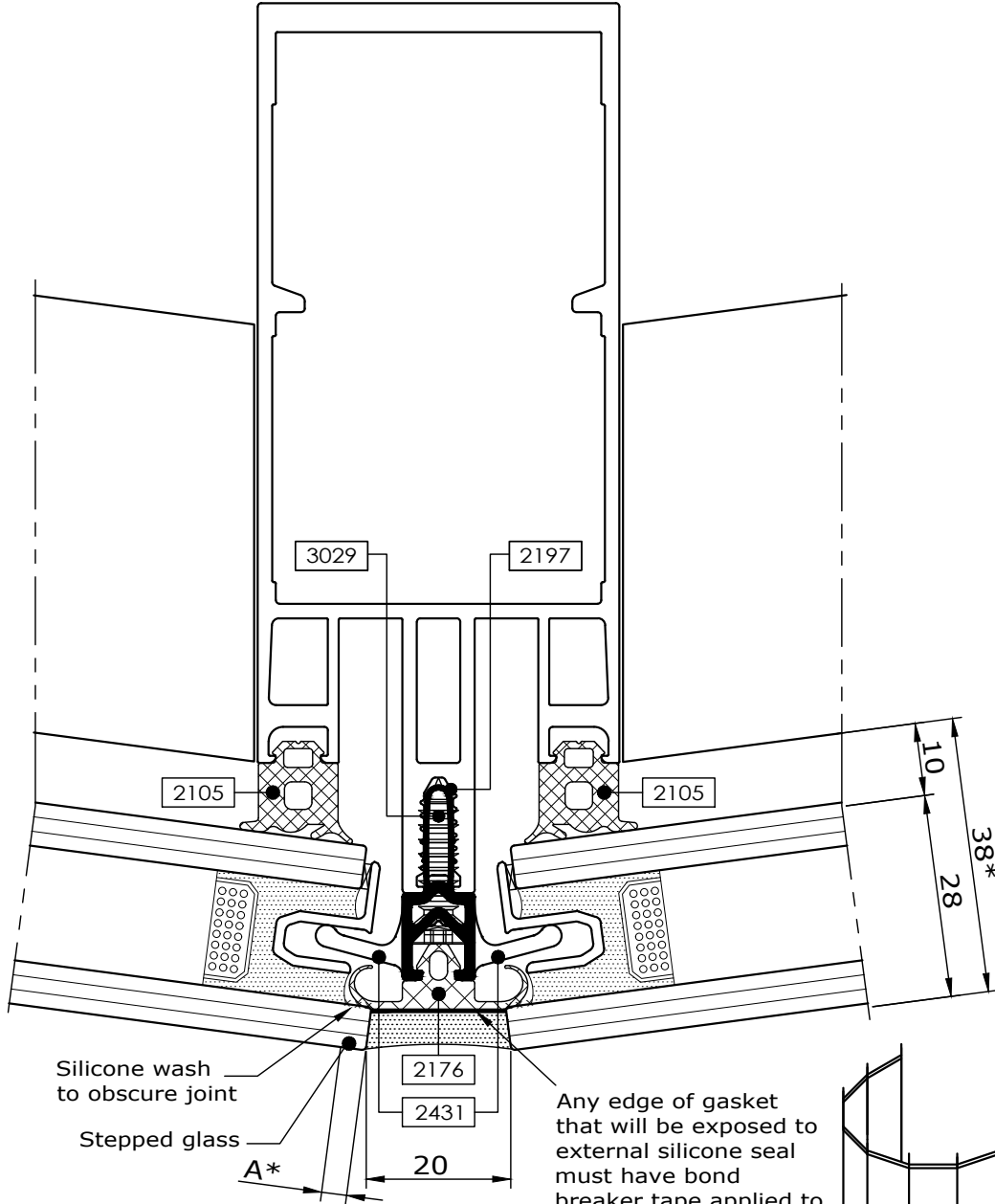
Comar 6EFT

Mullion detail
Facetted facade
7.5° maximum

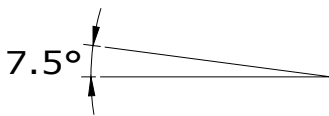
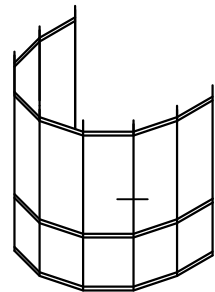


2.84

Copyright and ownership of this drawing is vested in EFT, Euro Facade Systems Ltd, whose prior written consent is required for its use, reproduction or for publication to any third party. All other rights reserved. Subject to modifications.



Fabricators Guide



* Refer to Glazing Chart for glazing options

Changes reserved
Sous reserve de modifications
Änderungen vorbehalten

Issue: 05
Date : 10 -16

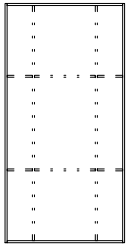


Typical details

2

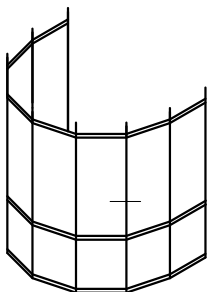
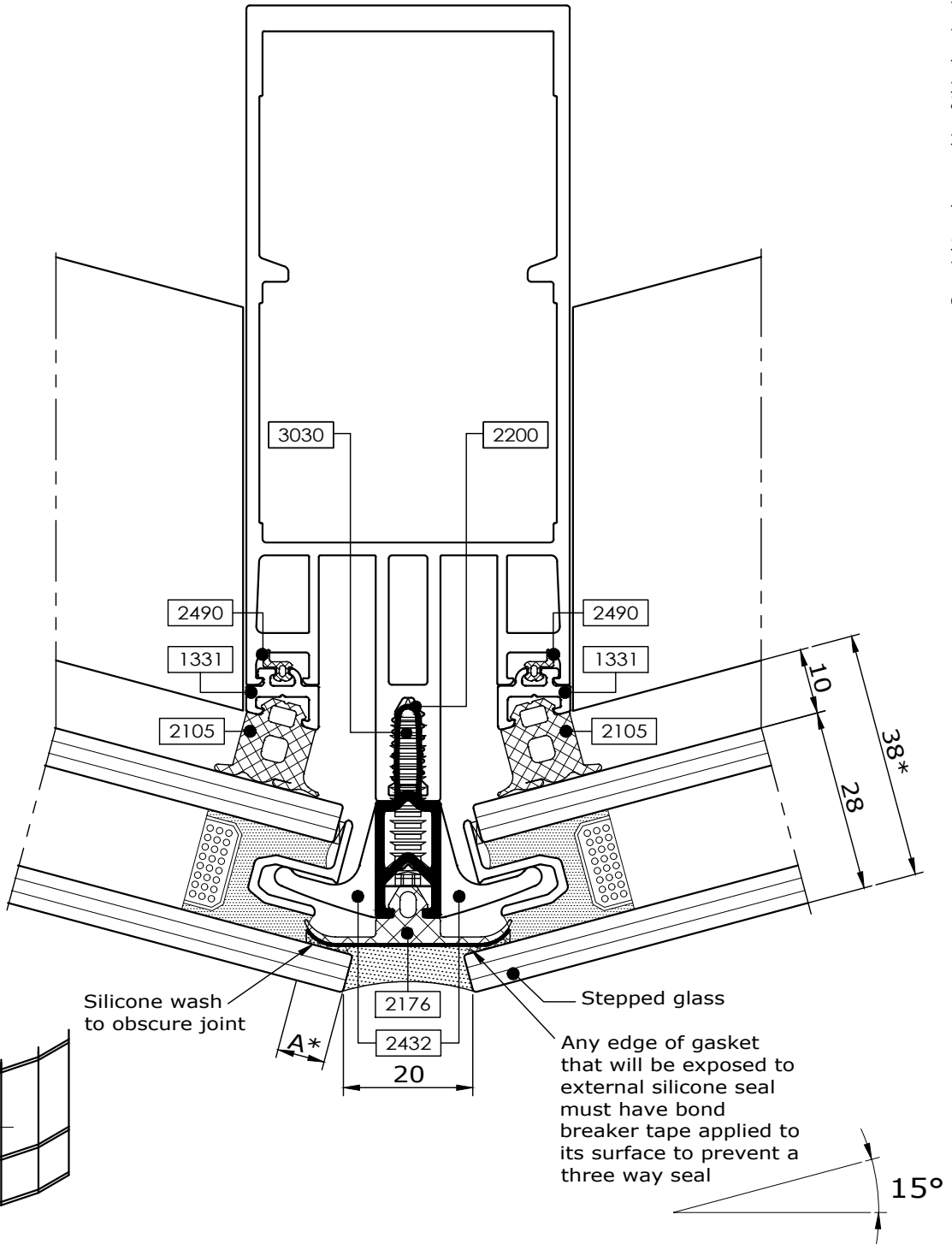
Comar 6EFT

Mullion detail
Facetted facade
15° nominal



2.85

Fabricators Guide



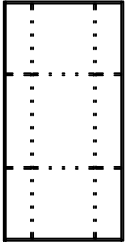
* Refer to Glazing Chart for glazing options

2

Typical details

Comar 6EFT

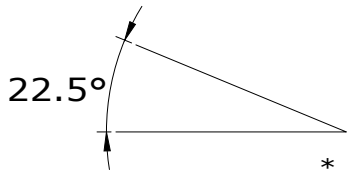
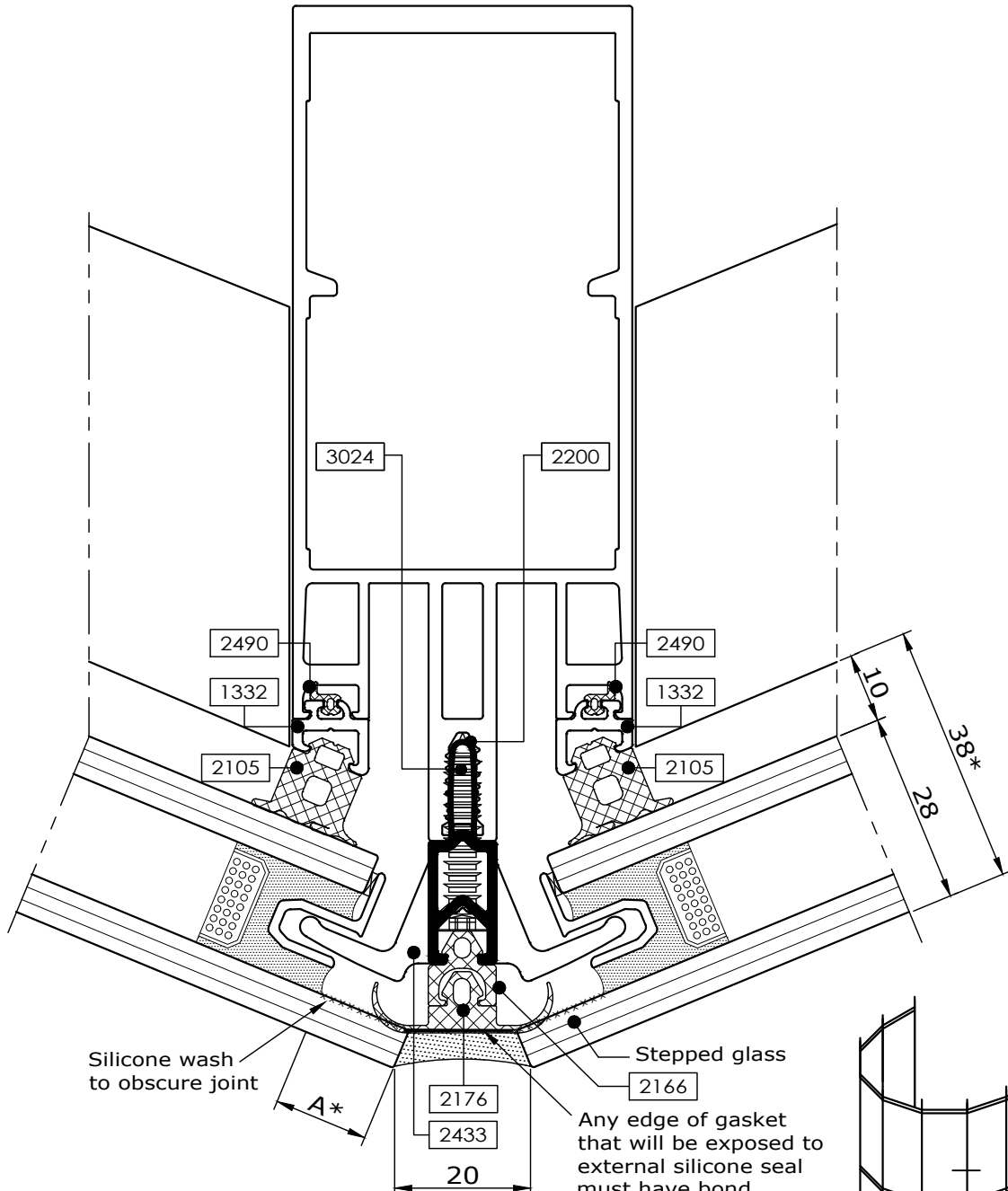
Mullion detail
Facetted facade
22.5° nominal



2.86

Fabricators Guide

Copyright and ownership of this drawing is vested in EFT, Euro Facade Systems Ltd, whose prior written consent is required for its use, reproduction or for publication to any third party. All other rights reserved.



* Refer to Glazing Chart for glazing options

Changes reserved
Sous reserve de modifications
Änderungen vorbehalten

Issue: 05
Date : 10 -16



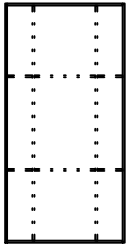
comar
ARCHITECTURAL ALUMINIUM SYSTEMS

Typical details

2

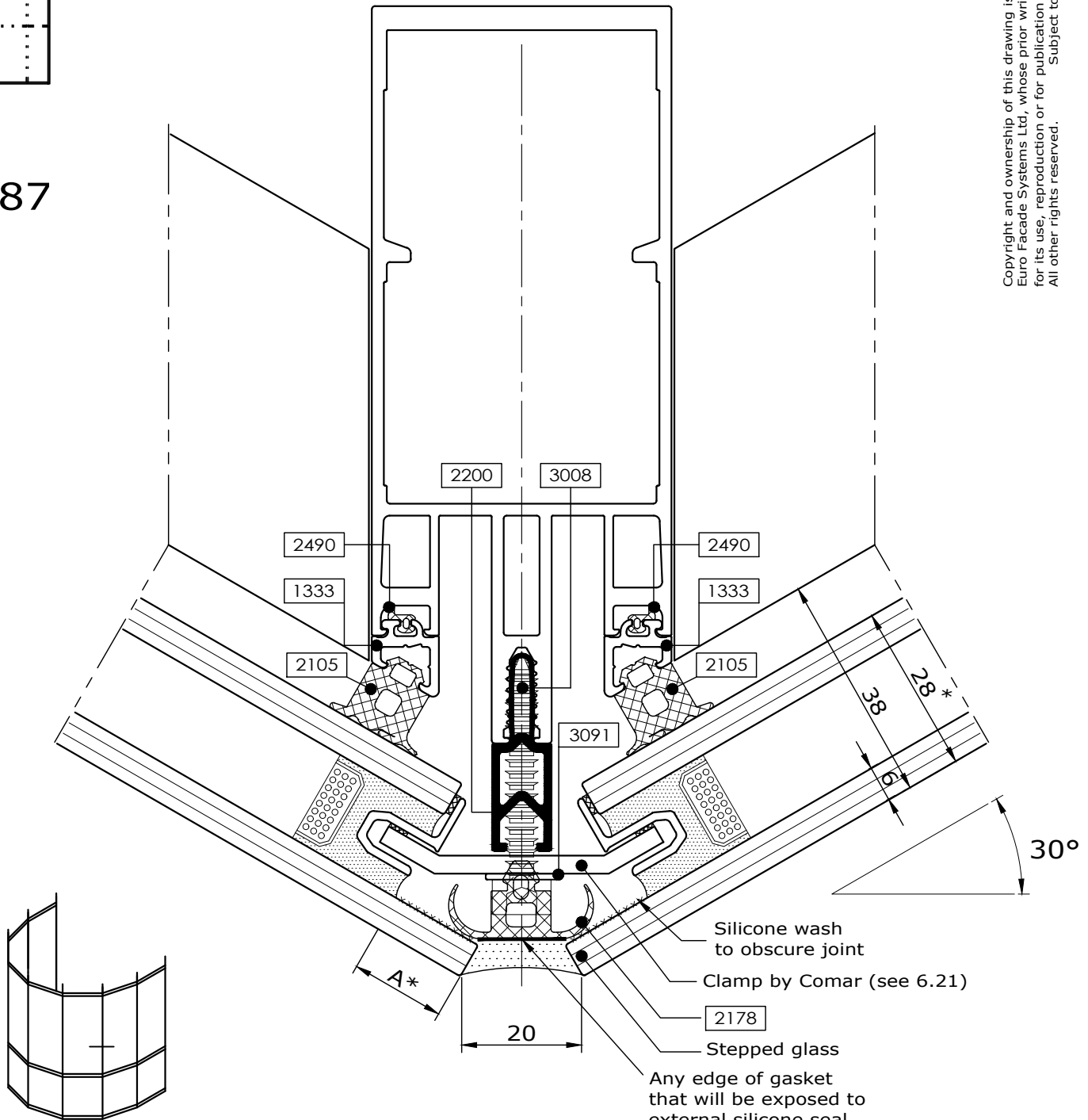
Comar 6EFT

Mullion detail Facetted facade 30° nominal



2.87

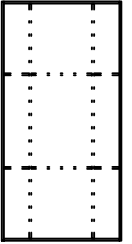
Fabricators Guide



* Refer to Glazing Chart for glazing options

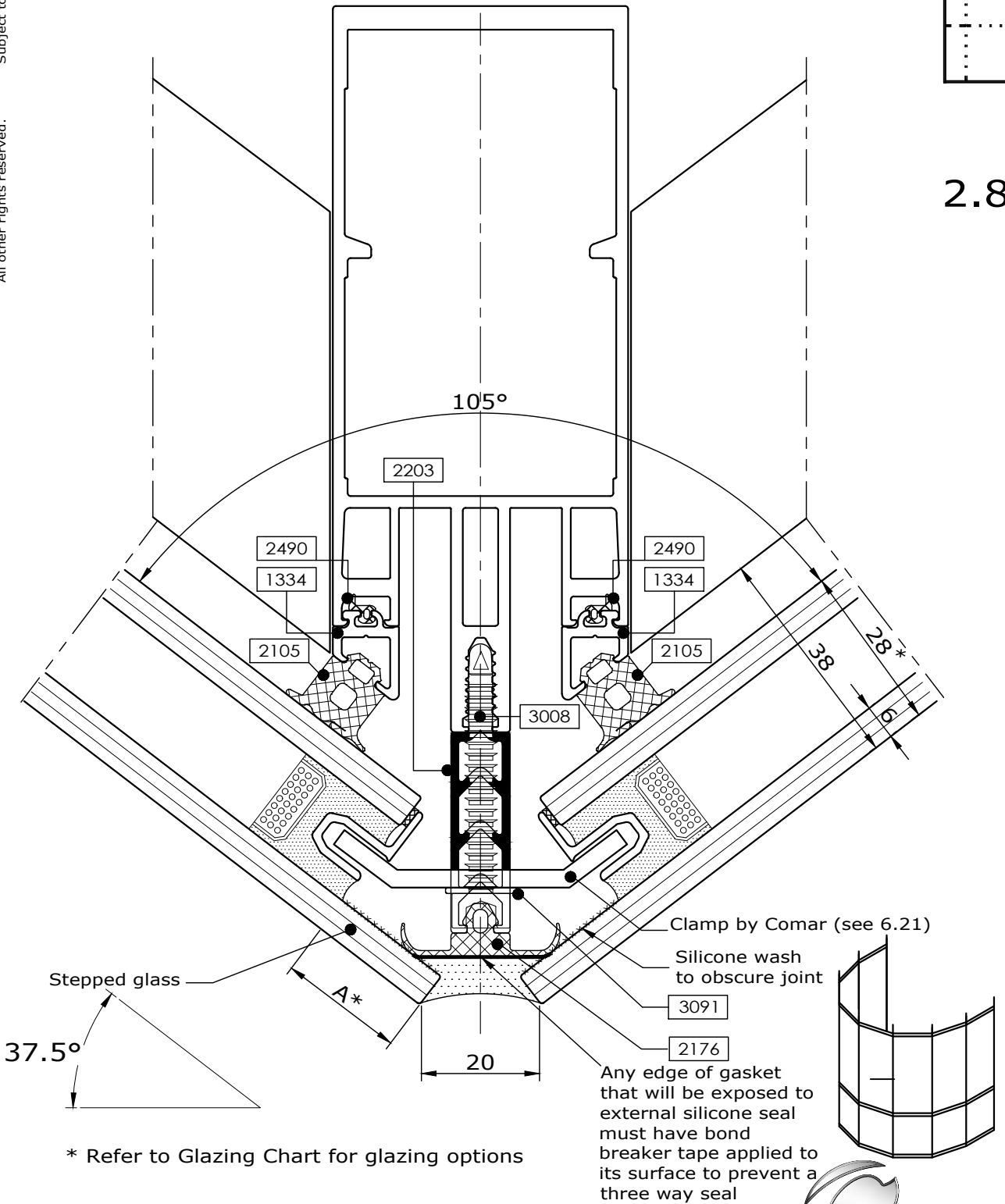
Any edge of gasket that will be exposed to external silicone seal must have bond breaker tape applied to its surface to prevent a three way seal

Mullion detail
Facetted facade
37.5° nominal



2.88

Copyright and ownership of this drawing is vested in EFT, Euro Facade Systems Ltd, whose prior written consent is required for its use, reproduction or for publication to any third party. All other rights reserved.



* Refer to Glazing Chart for glazing options

Changes reserved
Sous reserve de modifications
Änderungen vorbehalten

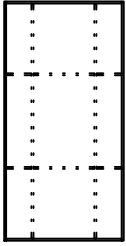
Issue: 05
Date : 10 -16

Typical details

2

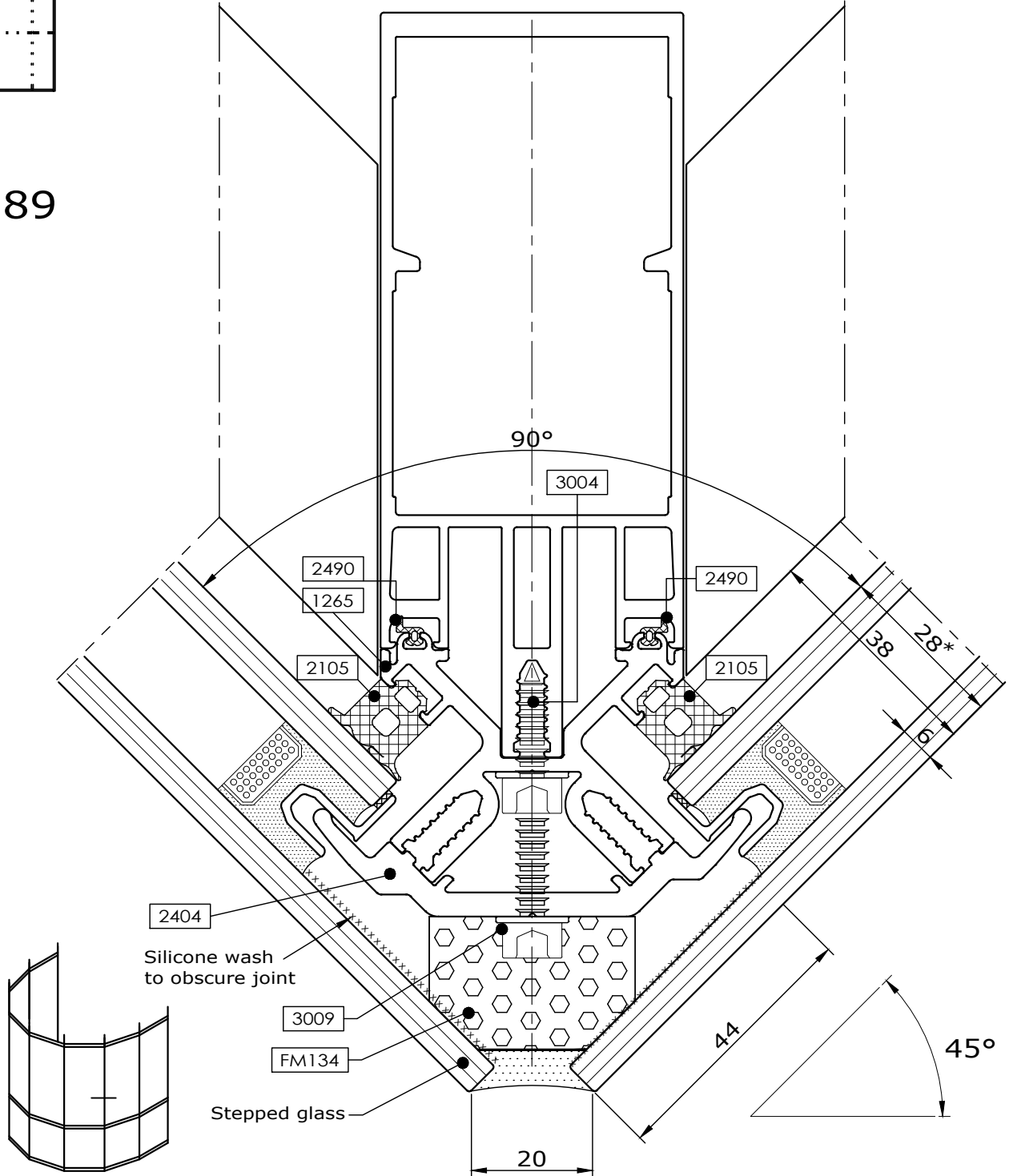
Comar 6EFT

Mullion detail
Faceted facade
45° nominal



2.89

Fabricators Guide



* Refer to Glazing Chart for glazing options

Copyright and ownership of this drawing is vested in EFT, Euro Facade Systems Ltd, whose prior written consent is required for its use, reproduction or for publication to any third party. All other rights reserved. Subject to modifications.



comar
ARCHITECTURAL ALUMINIUM SYSTEMS

Changes reserved
Sous réserve de modifications
Änderungen vorbehalten

Issue: 05
Date : 10 -16

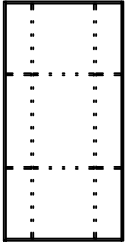
Copyright and ownership of this drawing is vested in EFT, Euro Facade Systems Ltd, whose prior written consent is required for its use, reproduction or for publication to any third party. All other rights reserved. Subject to modifications.

2

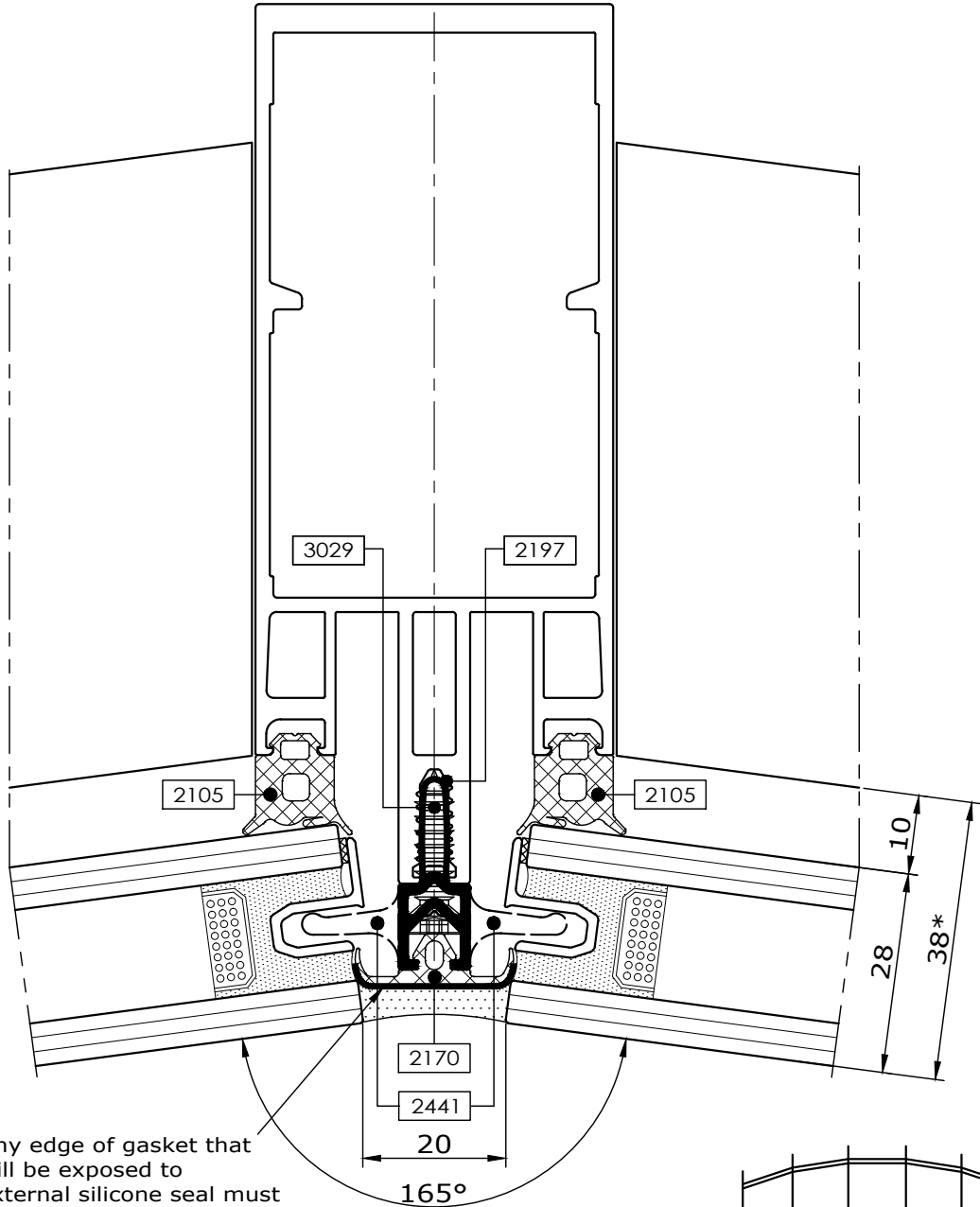
Typical details

Comar 6EFT

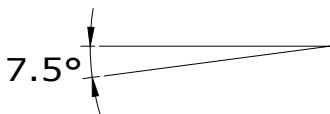
Mullion detail
Facetted facade
7.5° maximum



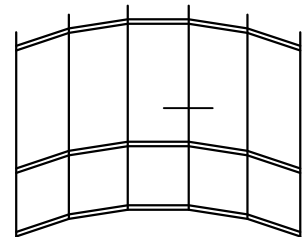
2.90



Any edge of gasket that will be exposed to external silicone seal must have bond breaker tape applied to its surface to prevent a three way seal



* Refer to Glazing Chart for glazing options



Fabricators Guide

Changes reserved
Sous reserve de modifications
Änderungen vorbehalten

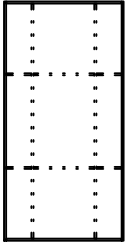
Issue: 05
Date : 10 -16

Typical details

2

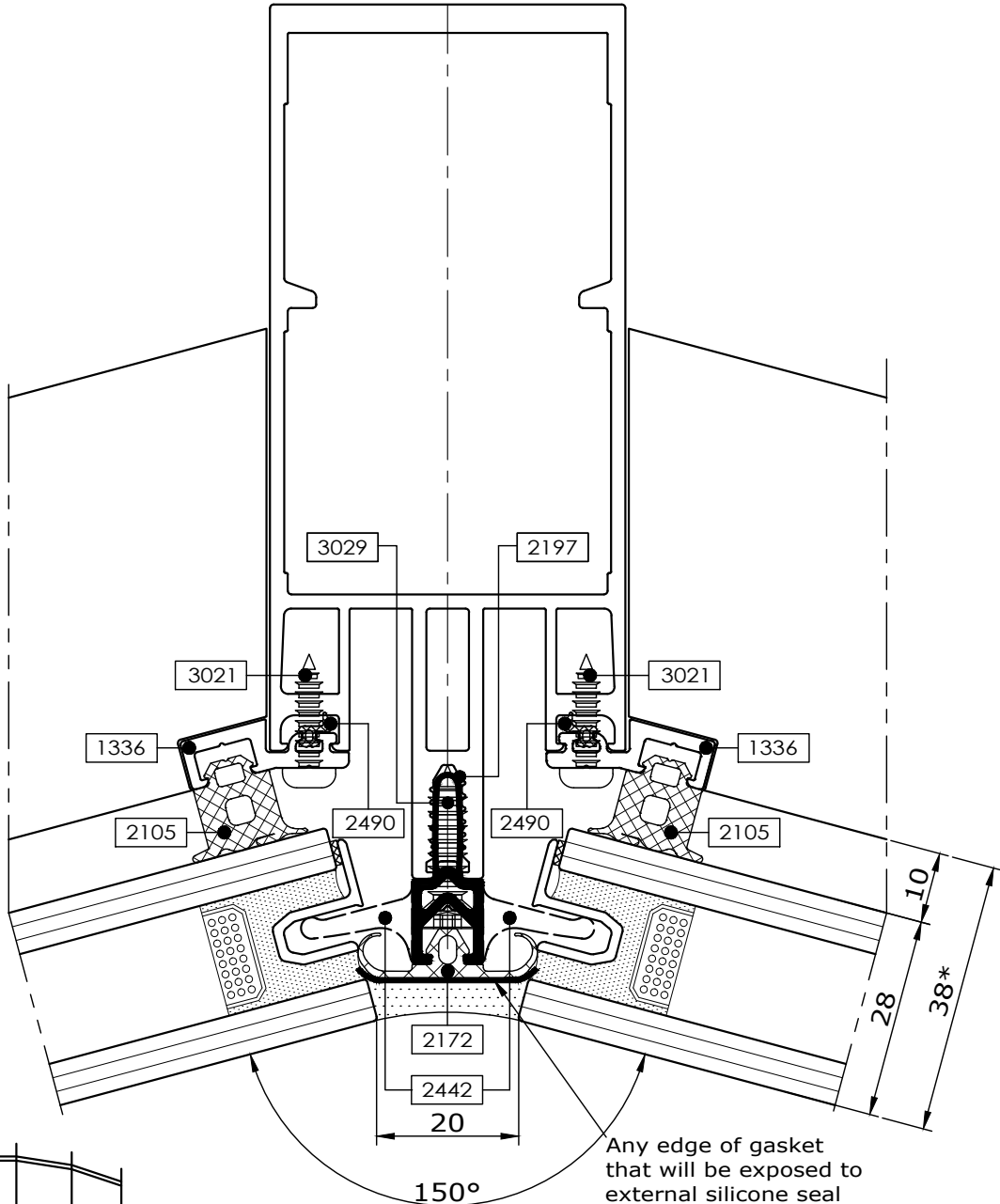
Comar 6EFT

Mullion detail Facetted facade 15° nominal

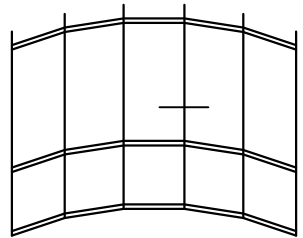


2.91

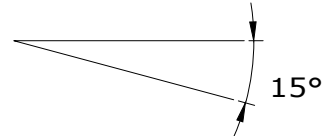
Fabricators Guide



Any edge of gasket that will be exposed to external silicone seal must have bond breaker tape applied to its surface to prevent a three way seal



* Refer to Glazing Chart for glazing options



Changes reserved
Sous reserve de modifications
Änderungen vorbehalten



Issue: 05
Date : 10 -16

Copyright and ownership of this drawing is vested in EFT, Euro Facade Systems Ltd, whose prior written consent is required for its use, reproduction or for publication to any third party. All other rights reserved. Subject to modifications.

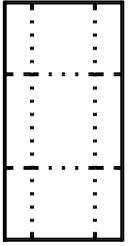
Copyright and ownership of this drawing is vested in EFT, Euro Facade Systems Ltd, whose prior written consent is required for its use, reproduction or for publication to any third party. All other rights reserved. Subject to modifications.

2

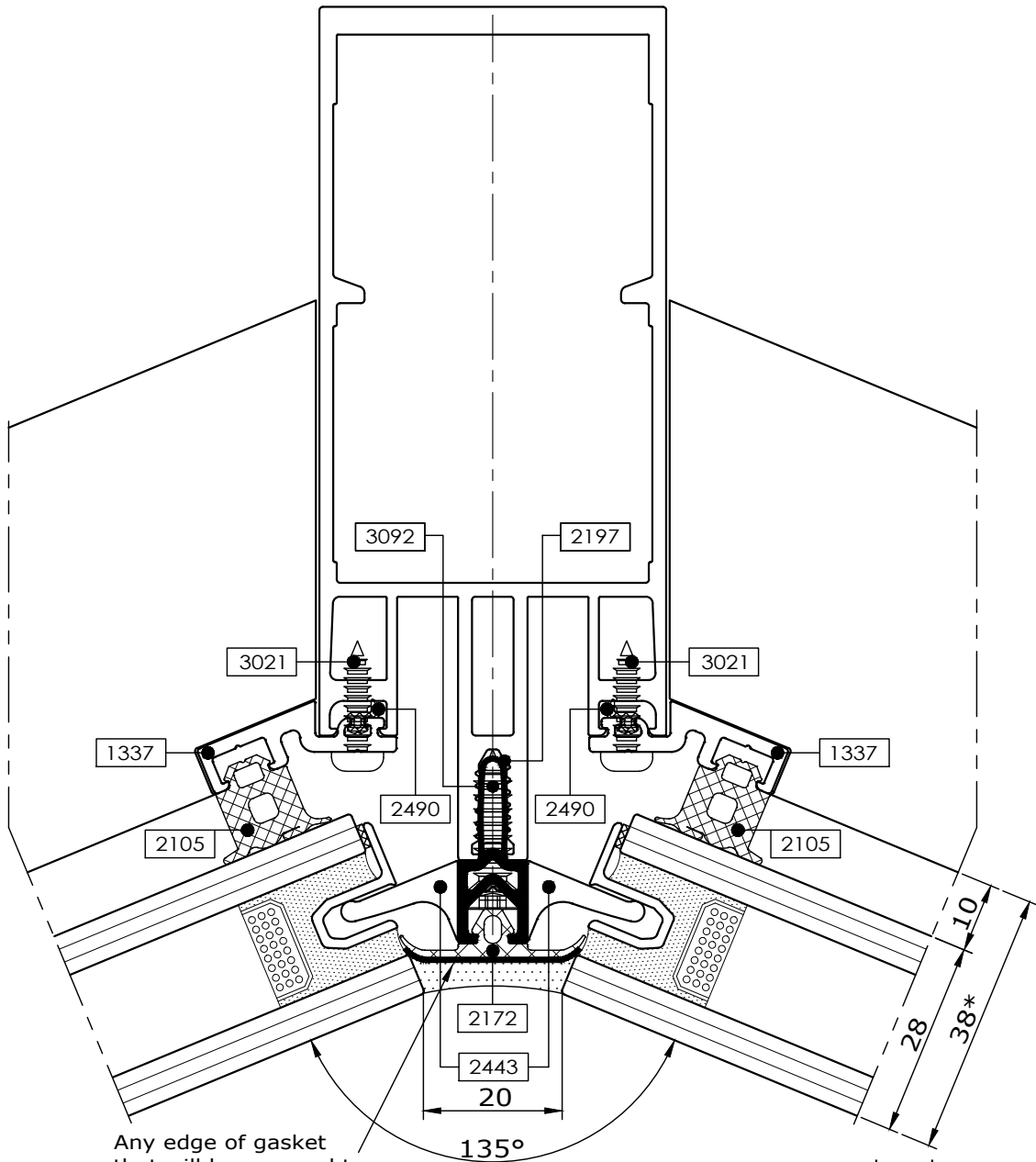
Typical details

Mullion detail
Facetted facade
22.5° nominal

Comar 6EFT



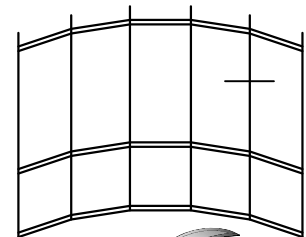
2.92



Any edge of gasket that will be exposed to external silicone seal must have bond breaker tape applied to its surface to prevent a three way seal

22.5°

* Refer to Glazing Chart for glazing options



Fabricators Guide

Changes reserved
Sous reserve de modifications
Änderungen vorbehalten

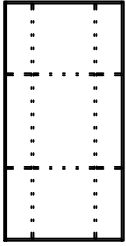
Issue: 05
Date : 10 -16

Typical details

2

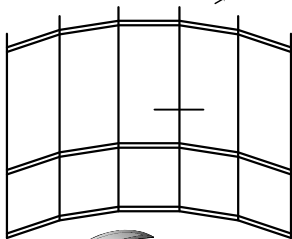
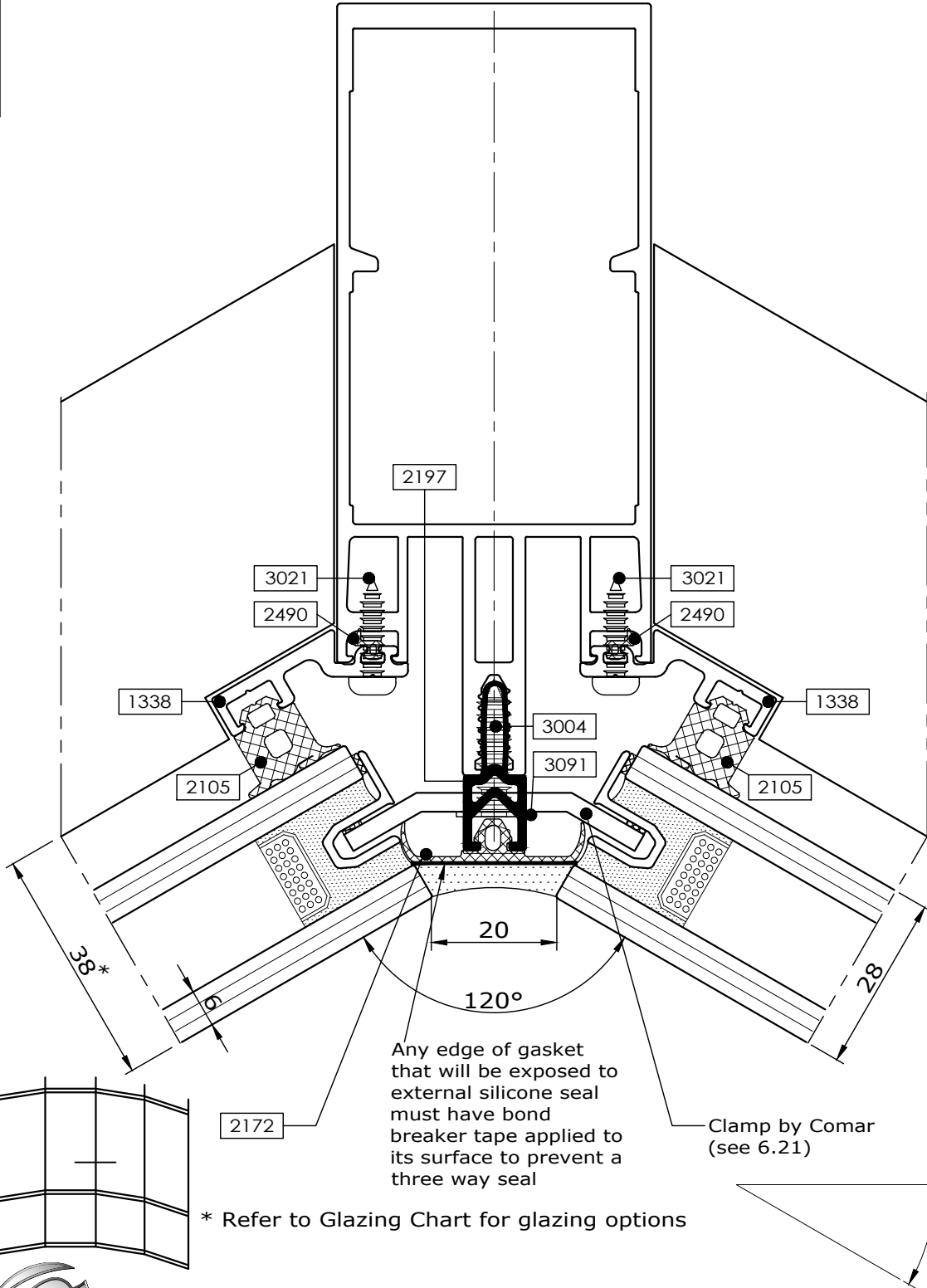
Comar 6EFT

Mullion detail
Facetted facade
30° nominal

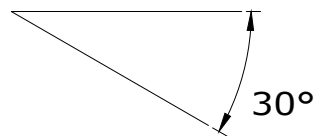


2.93

Fabricators Guide



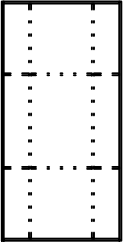
* Refer to Glazing Chart for glazing options



Changes reserved
Sous reserve de modifications
Änderungen vorbehalten

Issue: 05
Date : 10 -16

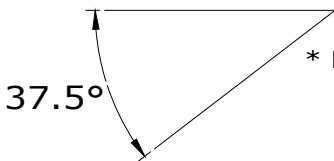
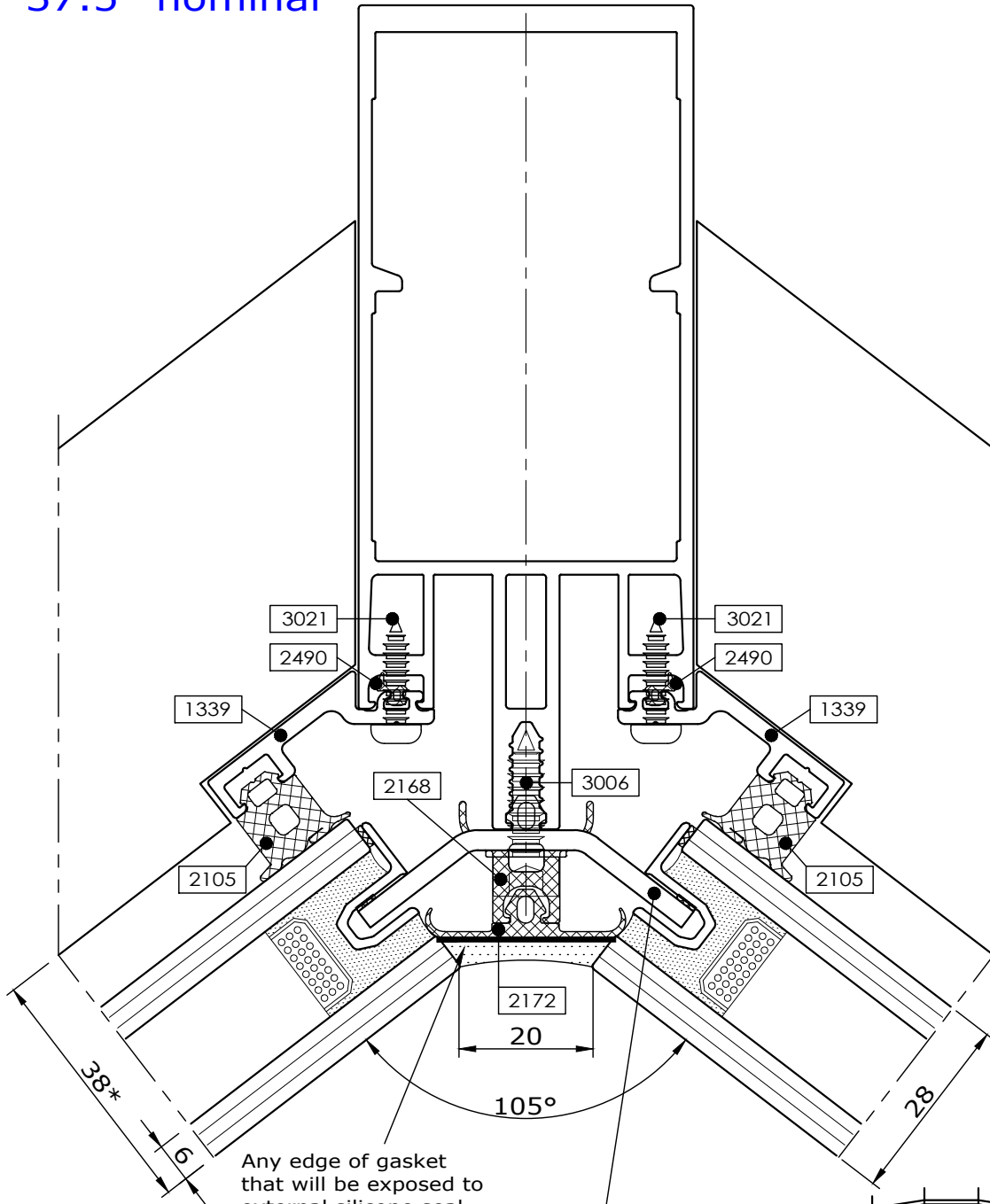
Copyright and ownership of this drawing is vested in EFT, Euro Facade Systems Ltd, whose prior written consent is required for its use, reproduction or for publication to any third party. All other rights reserved. Subject to modifications.



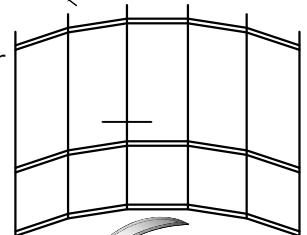
2.94

Mullion detail
Facetted facade
37.5° nominal

Copyright and ownership of this drawing is vested in EFT, Euro Facade Systems Ltd, whose prior written consent is required for its use, reproduction or for publication to any third party. All other rights reserved.



* Refer to Glazing Chart for glazing options



Changes reserved
Sous reserve de modifications
Änderungen vorbehalten

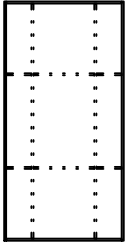
Issue: 05
Date : 10 -16

Typical details

2

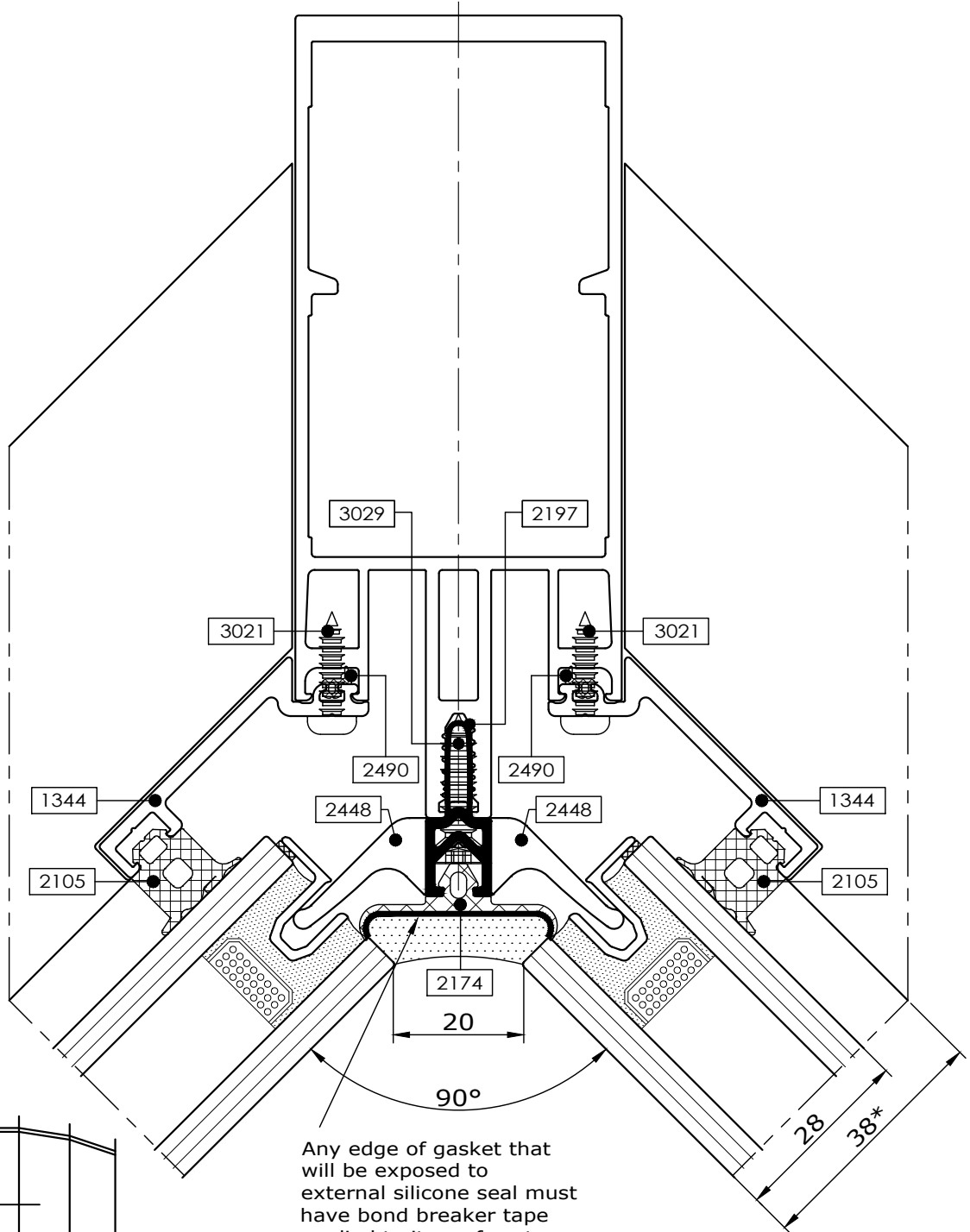
Comar 6EFT

Mullion detail Facetted facade 45° nominal



2.95

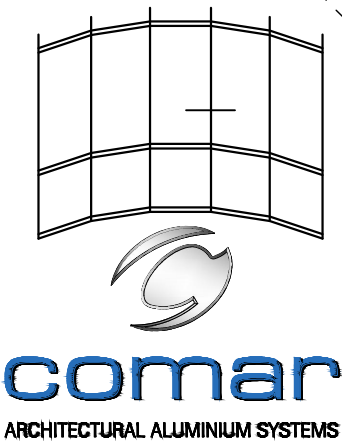
Fabricators Guide



Any edge of gasket that will be exposed to external silicone seal must have bond breaker tape applied to its surface to prevent a three way seal

45°
Changes reserved
Sous réserve de modifications
Änderungen vorbehalten

Copyright and ownership of this drawing is vested in EFT, Euro Facade Systems Ltd, whose prior written consent is required for its use, reproduction or for publication to any third party. All other rights reserved. Subject to modifications.

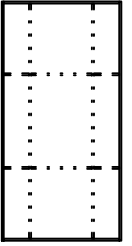


2

Typical details

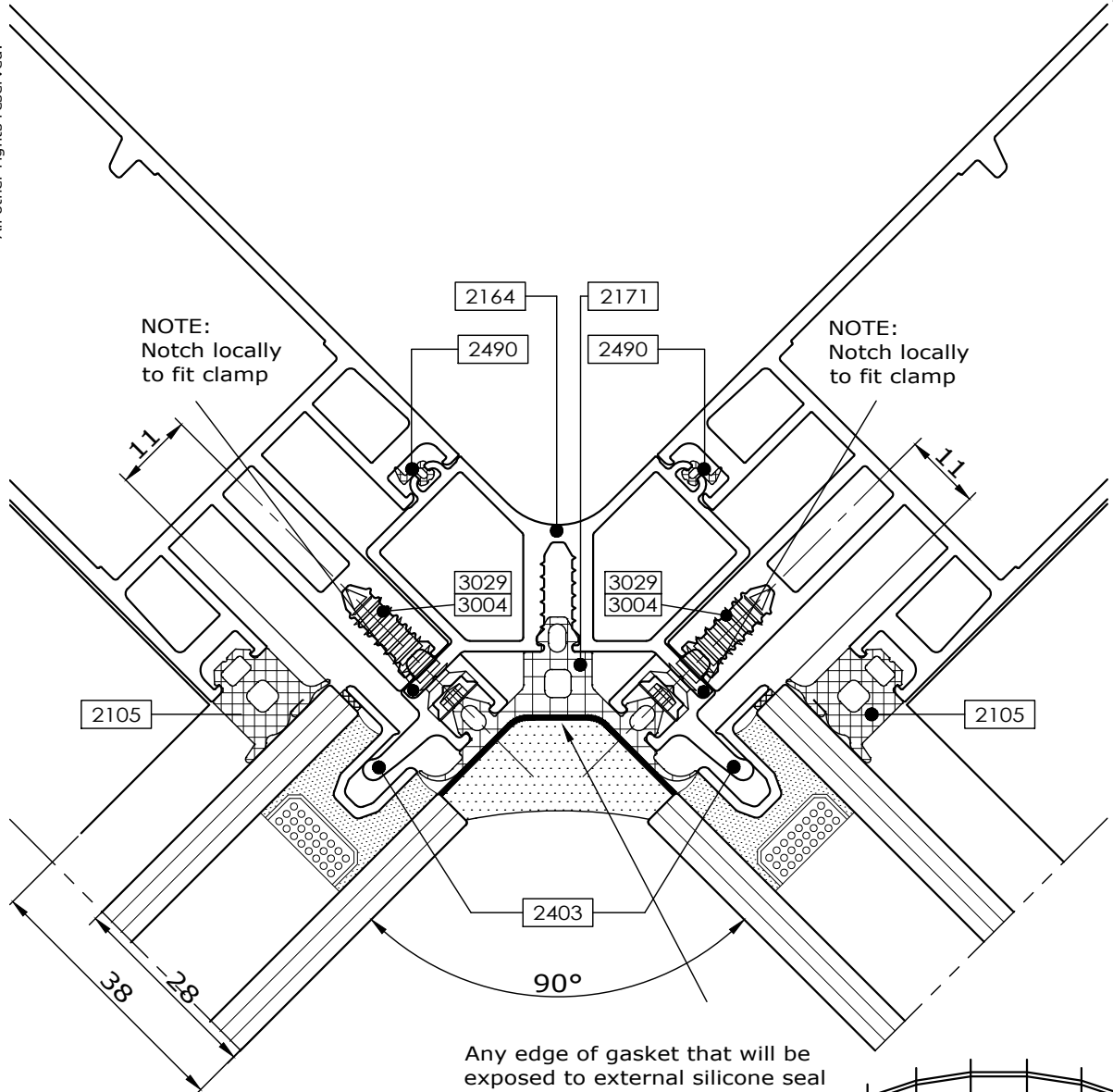
Comar 6EFT

Mullion detail
Facetted facade
45° nominal



2.96

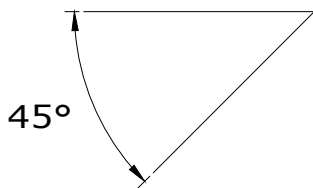
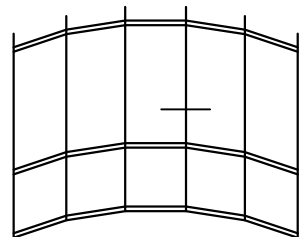
Copyright and ownership of this drawing is vested in EFT, Euro Facade Systems Ltd, whose prior written consent is required for its use, reproduction or for publication to any third party. All other rights reserved. Subject to modifications.



Fabricators Guide

Any edge of gasket that will be exposed to external silicone seal must have bond breaker tape applied to its surface to prevent a three way seal

* Refer to Glazing Chart for glazing options



Changes reserved
Sous reserve de modifications
Änderungen vorbehalten

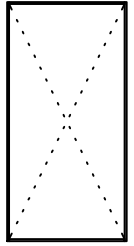
Issue: 05
Date : 10 -16

2

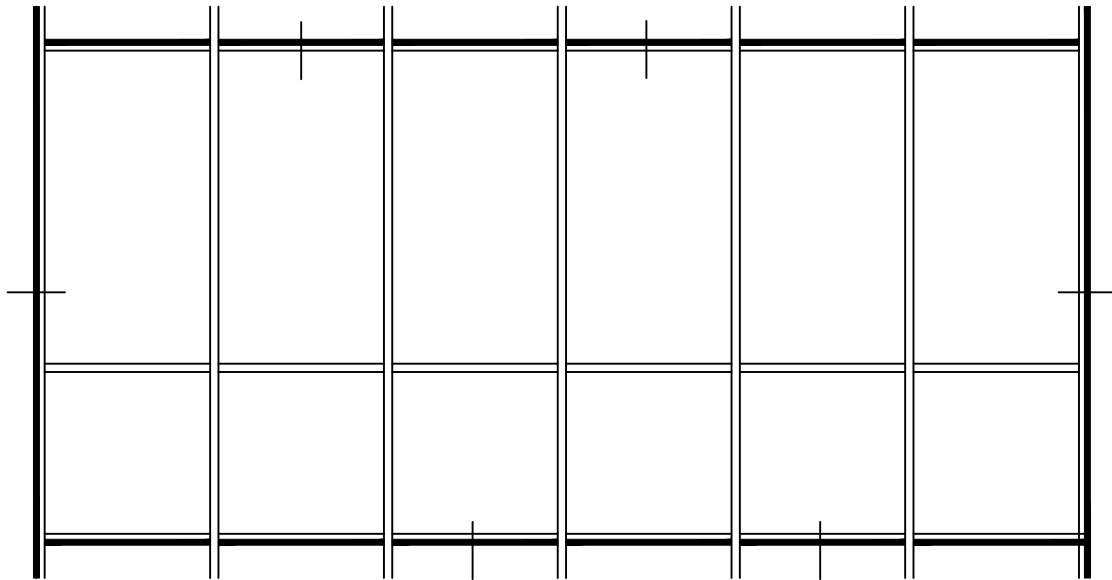
Typical details

Perimeter Detail

Comar 6EFT



2.100



Fabricators Guide

Capped
2Sided SGH
2Sided SGV
4Sided SG

Copyright and ownership of this drawing is vested in EFT,
Euro Facade Systems Ltd, whose prior written consent is required
for its use, reproduction or for publication to any third party.
All other rights reserved. Subject to modifications.

Changes reserved
Sous reserve de modifications
Änderungen vorbehalten

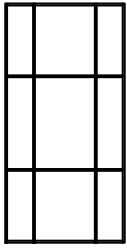
Issue: 05
Date : 10 -16

Typical details

2

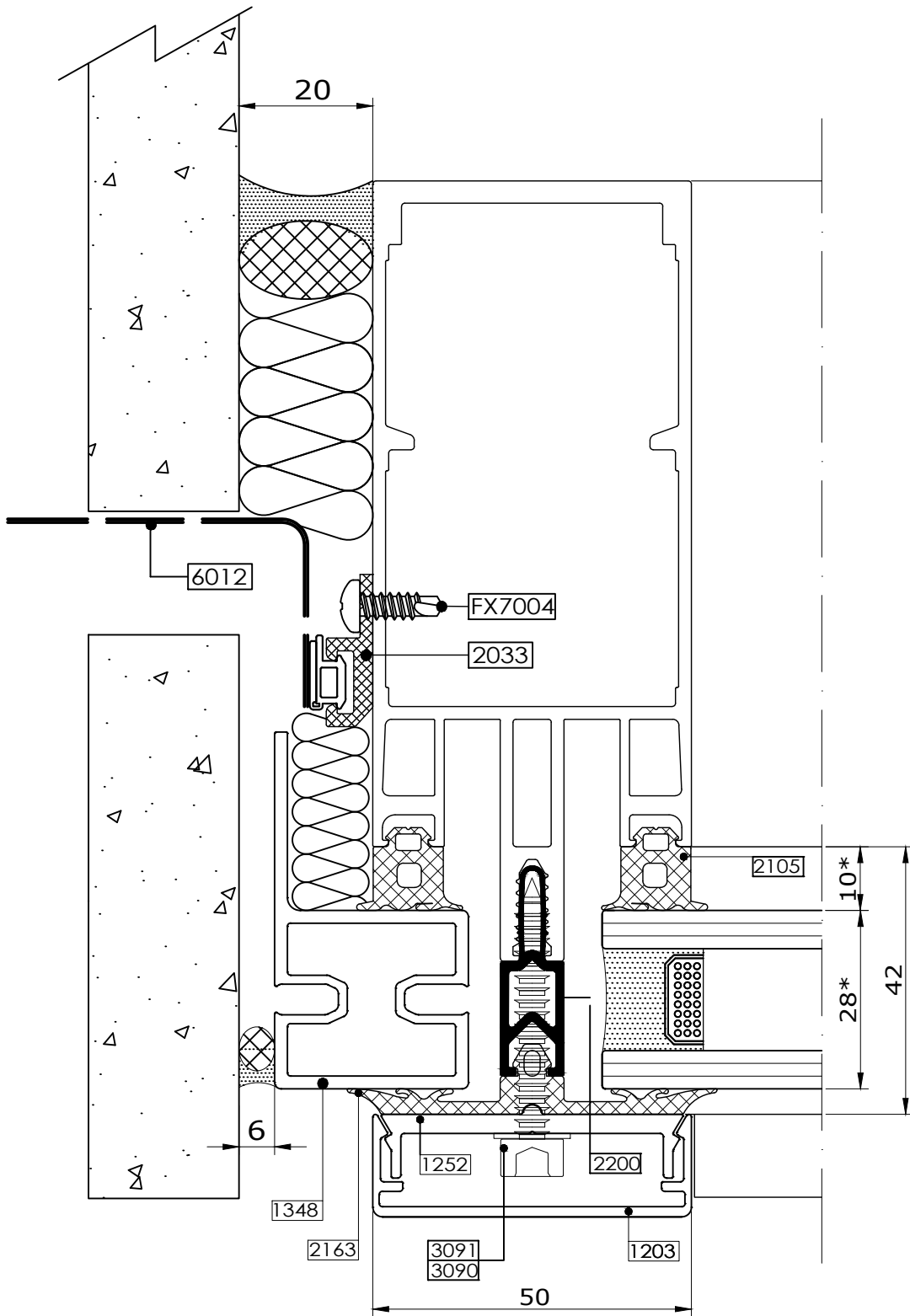
Comar 6EFT

Perimeter mullion detail



2.101

Fabricators Guide



* Refer to Glazing Chart for glazing options

2

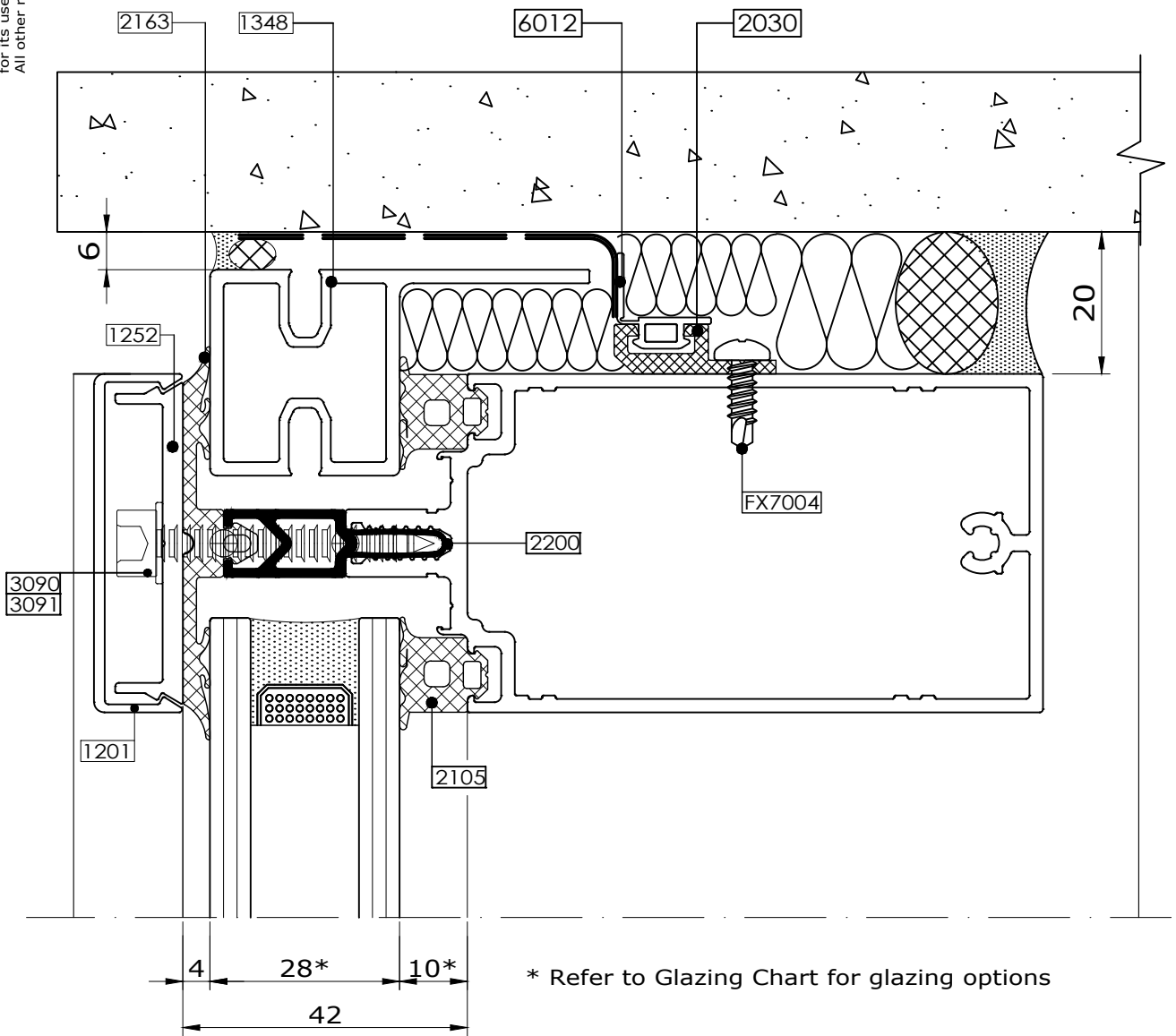
Typical details

Transom head detail

Comar 6EFT

2.102

Copyright and ownership of this drawing is vested in EFT,
 Euro Facade Systems Ltd, whose prior written consent is required
 for its use, reproduction or for publication to any third party.
 All other rights reserved. Subject to modifications.



Fabricators Guide

Changes reserved
 Sous reserve de modifications
 Änderungen vorbehalten

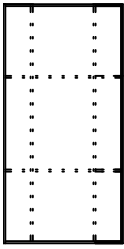
Issue: 05
 Date : 10 -16

Typical details

2

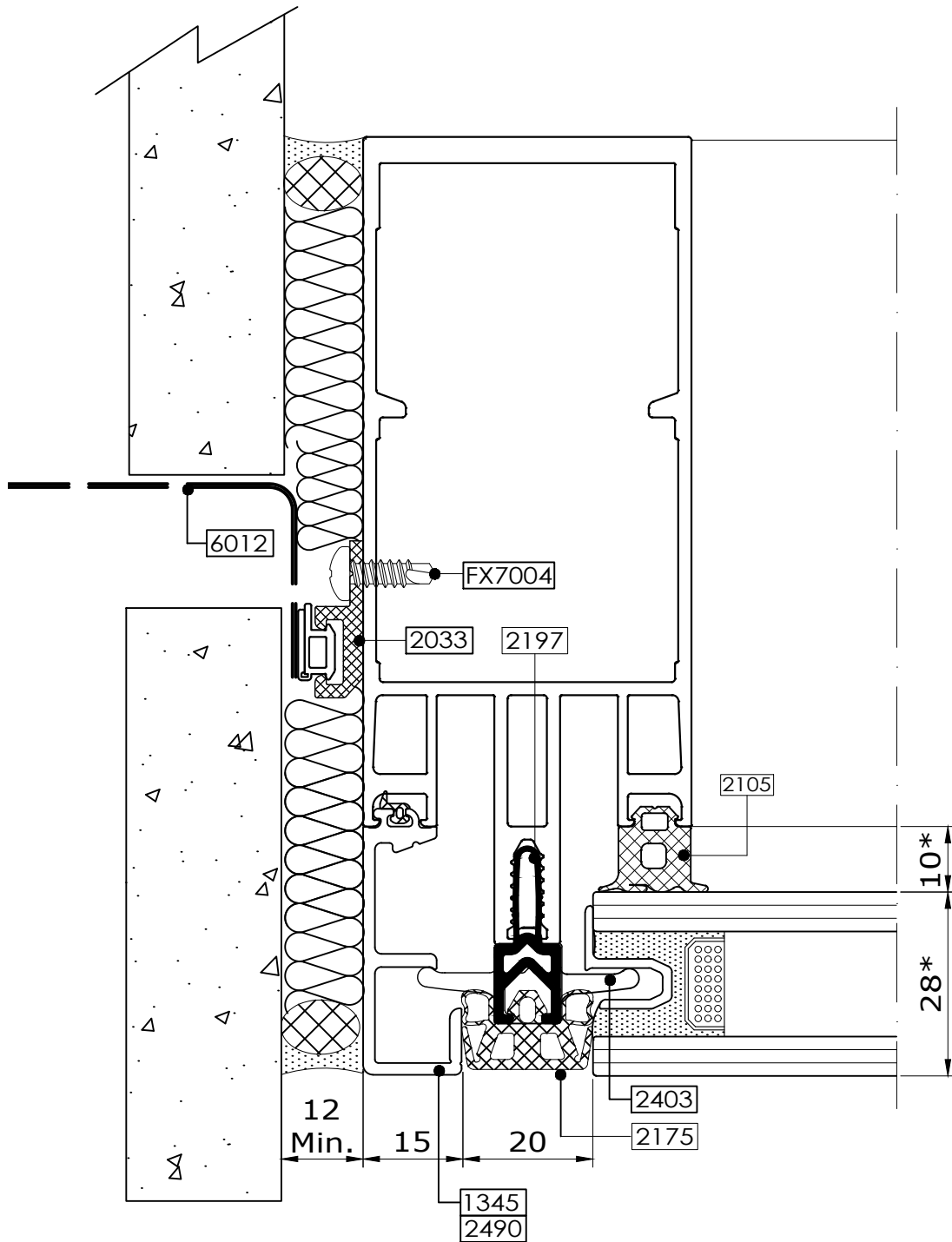
Comar 6EFT

Mullion jamb detail gasket seal



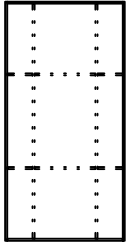
2.103

Fabricators Guide

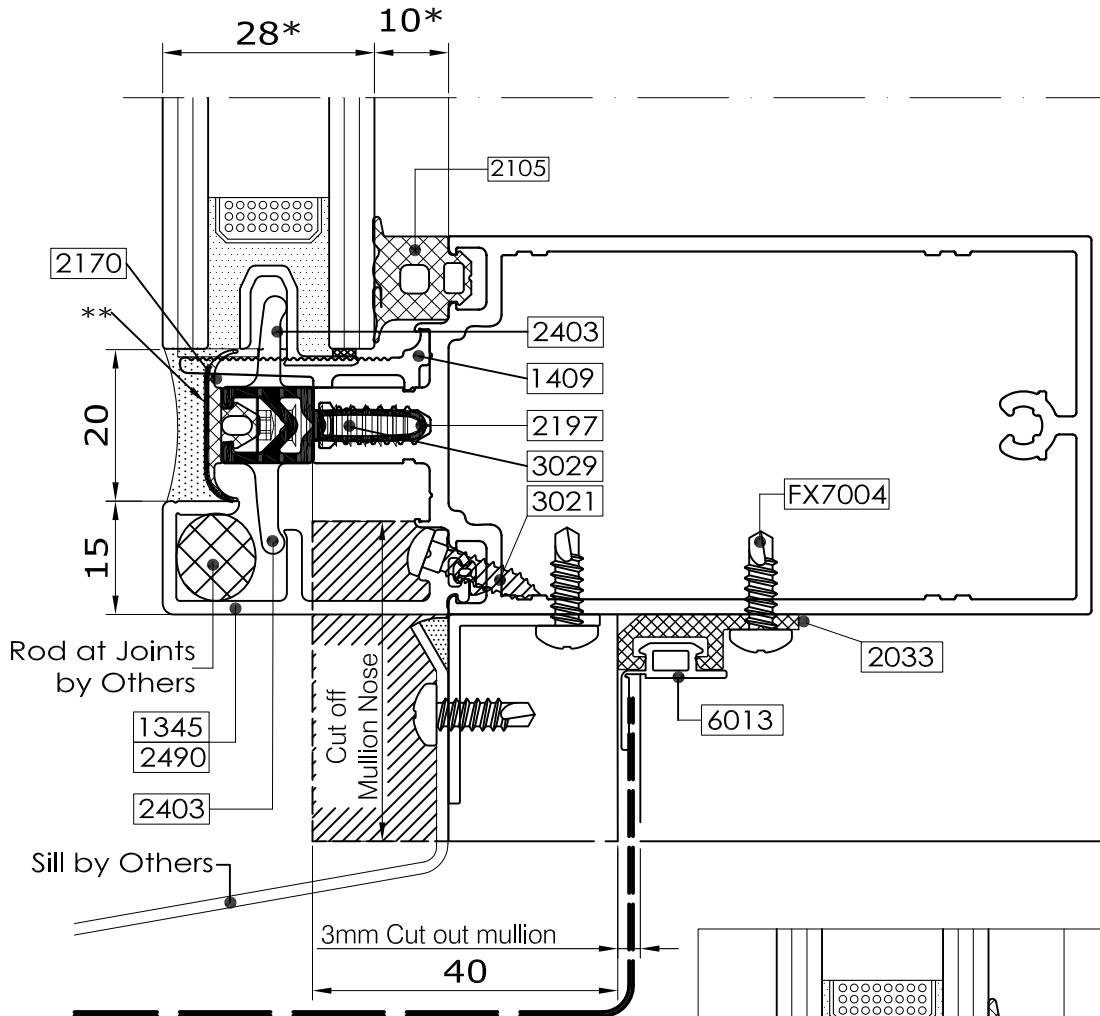


* Refer to Glazing Chart for glazing options

Transom sill detail
Silicone & gasket seal



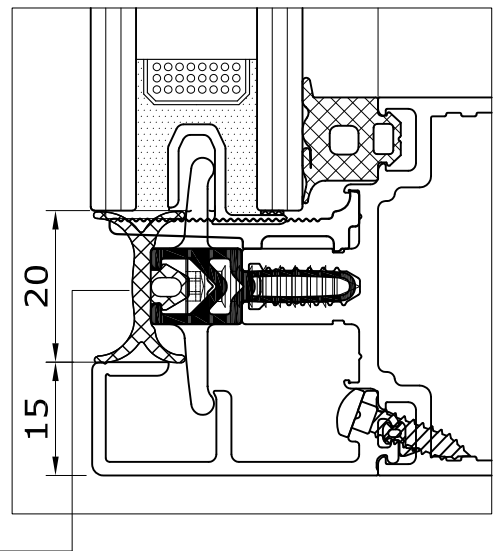
2.104



* Refer to Glazing Chart for glazing options

**Any edge of gasket that will be exposed to external silicone seal must have bond breaker tape applied to its surface to prevent a three way seal

Also available with gasket seal using EFT gasket 2175,2182



Copyright and ownership of this drawing is vested in EFT, Euro Facade Systems Ltd, whose prior written consent is required for its use, reproduction or for publication to any third party. All other rights reserved. Subject to modifications.

Changes reserved
Sous reserve de modifications
Änderungen vorbehalten

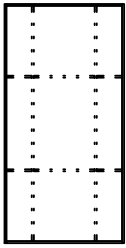
Issue: 05
Date : 10 -17

Typical details

2

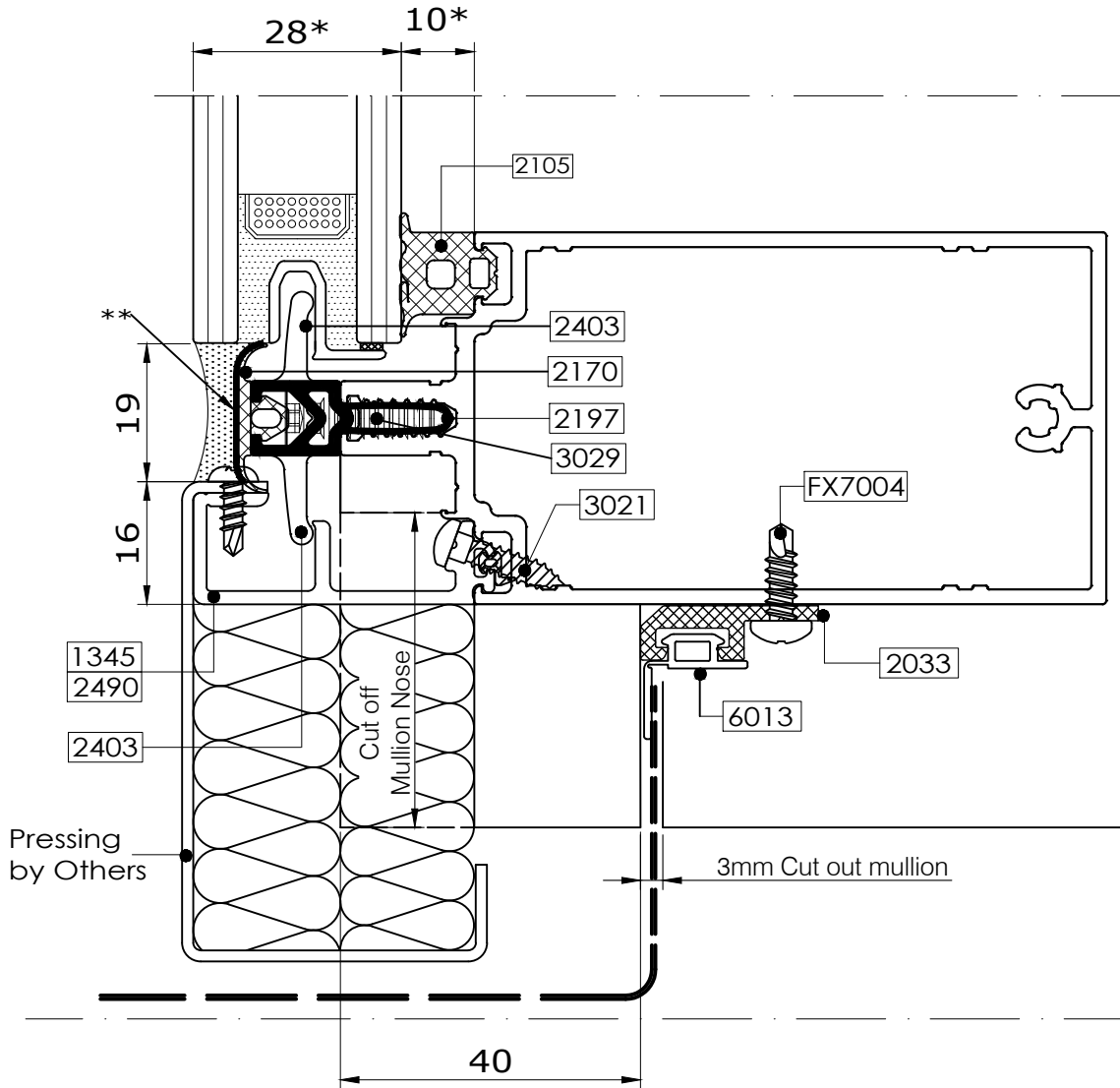
Comar 6EFT

Transom sill detail
Silicone seal



2.105

Fabricators Guide



* Refer to Glazing Chart for glazing options

**Any edge of gasket that will be exposed to external silicone seal must have bond breaker tape applied to its surface to prevent a three way seal

Copyright and ownership of this drawing is vested in EFT, Euro Facade Systems Ltd, whose prior written consent is required for its use, reproduction or for publication to any third party. All other rights reserved. Subject to modifications.

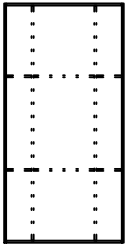


comar
ARCHITECTURAL ALUMINIUM SYSTEMS

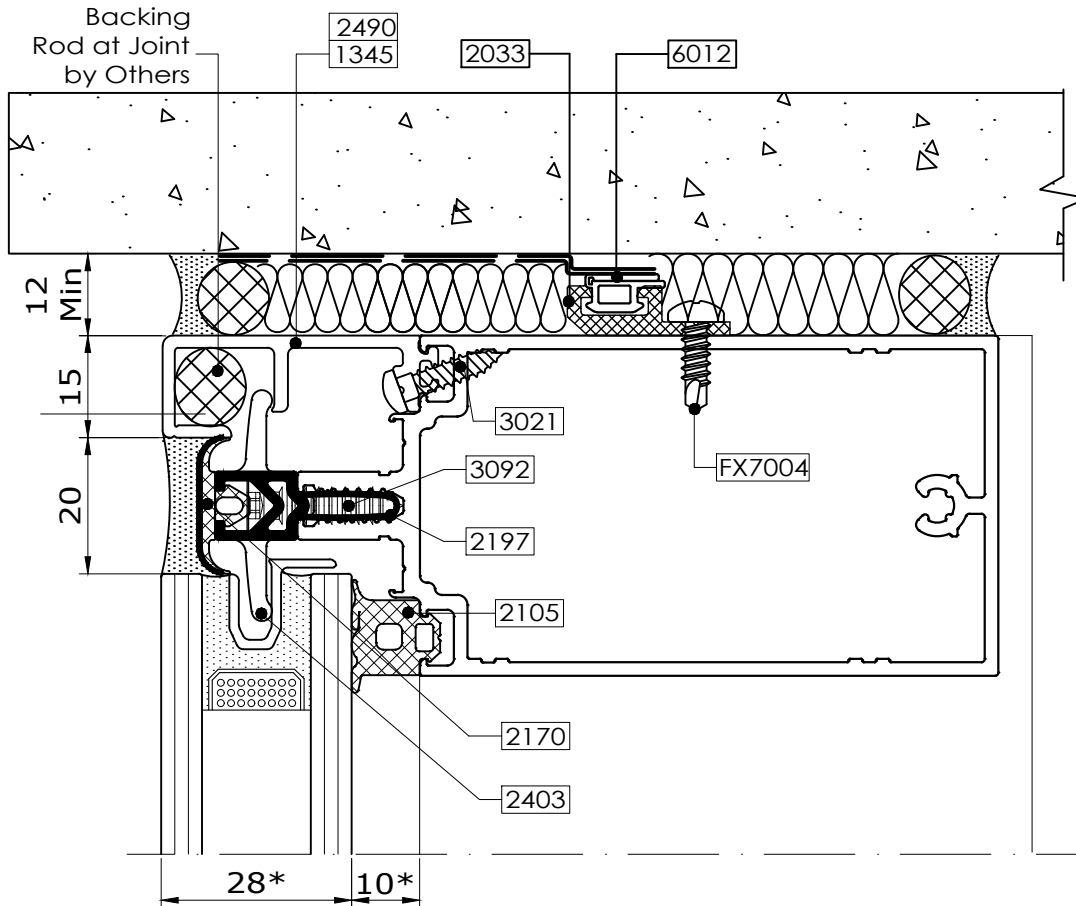
Changes reserved
Sous reserve de modifications
Änderungen vorbehalten

Issue: 05
Date : 10 -16

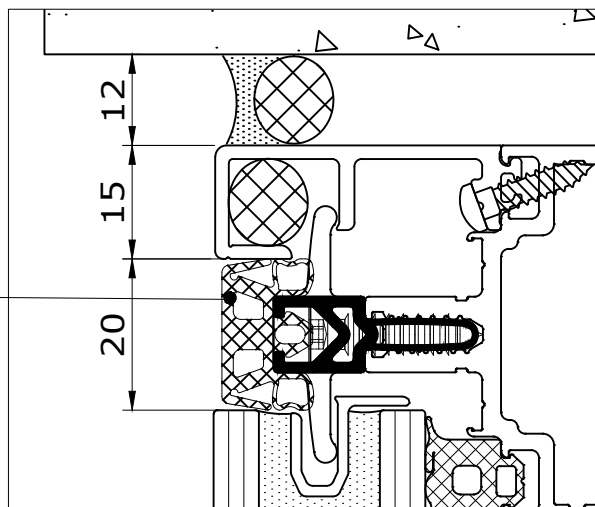
Transom head detail
Silicone & gasket seal



2.106



Also available
with gasket seal
using EFT gasket
2175,2182



Copyright and ownership of this drawing is vested in EFT, Euro Facade Systems Ltd, whose prior written consent is required for its use, reproduction or for publication to any third party. All other rights reserved. Subject to modifications.

Changes reserved
Sous reserve de modifications
Änderungen vorbehalten

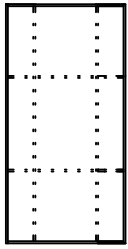
Issue: 05
Date : 10 -16

Typical details

2

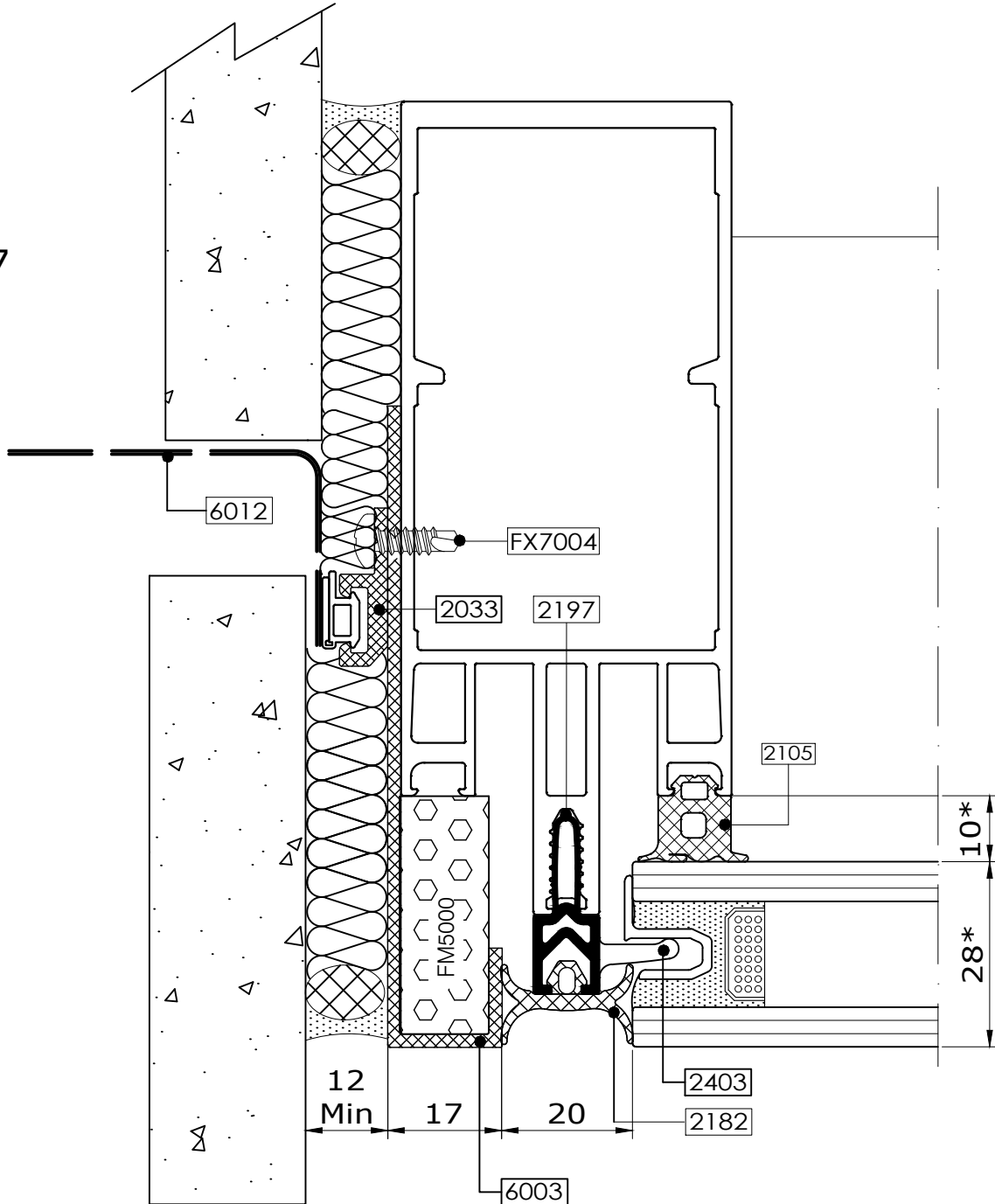
Comar 6EFT

Mullion perimeter
Jamb closure detail



2.107

Fabricators Guide



* Refer to Glazing Chart for glazing options

Copyright and ownership of this drawing is vested in EFT,
Euro Facade Systems Ltd, whose prior written consent is required
for its use, reproduction or for publication to any third party.
All other rights reserved. Subject to modifications.



comar
ARCHITECTURAL ALUMINIUM SYSTEMS

Changes reserved
Sous reserve de modifications
Änderungen vorbehalten

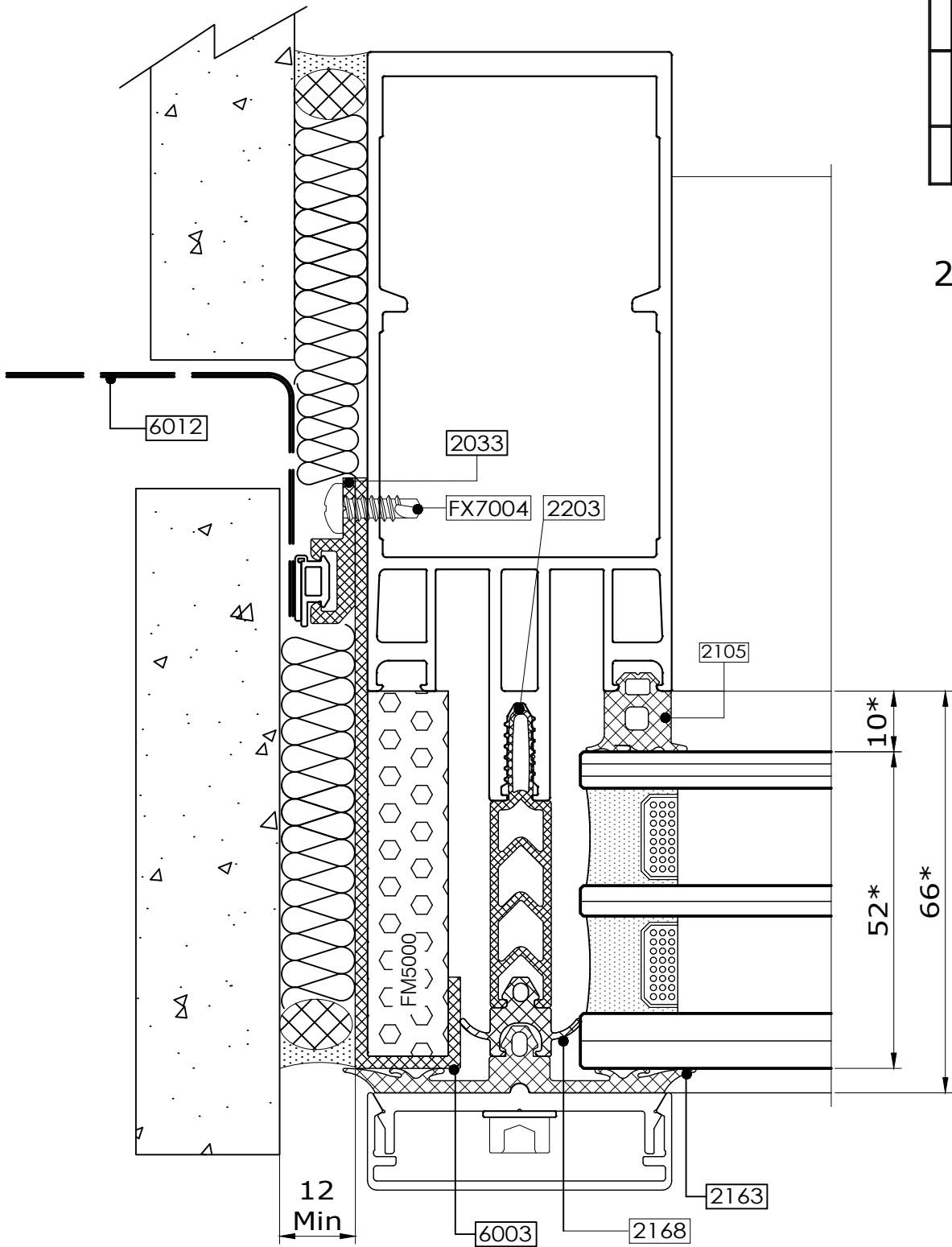
Issue: 05
Date : 10 -16

Copyright and ownership of this drawing is vested in EFT, Euro Facade Systems Ltd, whose prior written consent is required for its use, reproduction or for publication to any third party. All other rights reserved. Subject to modifications.

Mullion perimeter Jamb closure detail

2 Typical details

Comar 6EFT



Fabricators Guide

* Refer to Glazing Chart for glazing options

Changes reserved
 Sous reserve de modifications
 Änderungen vorbehalten

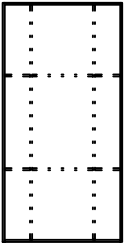
Issue: 05
 Date : 10 -16

Typical details

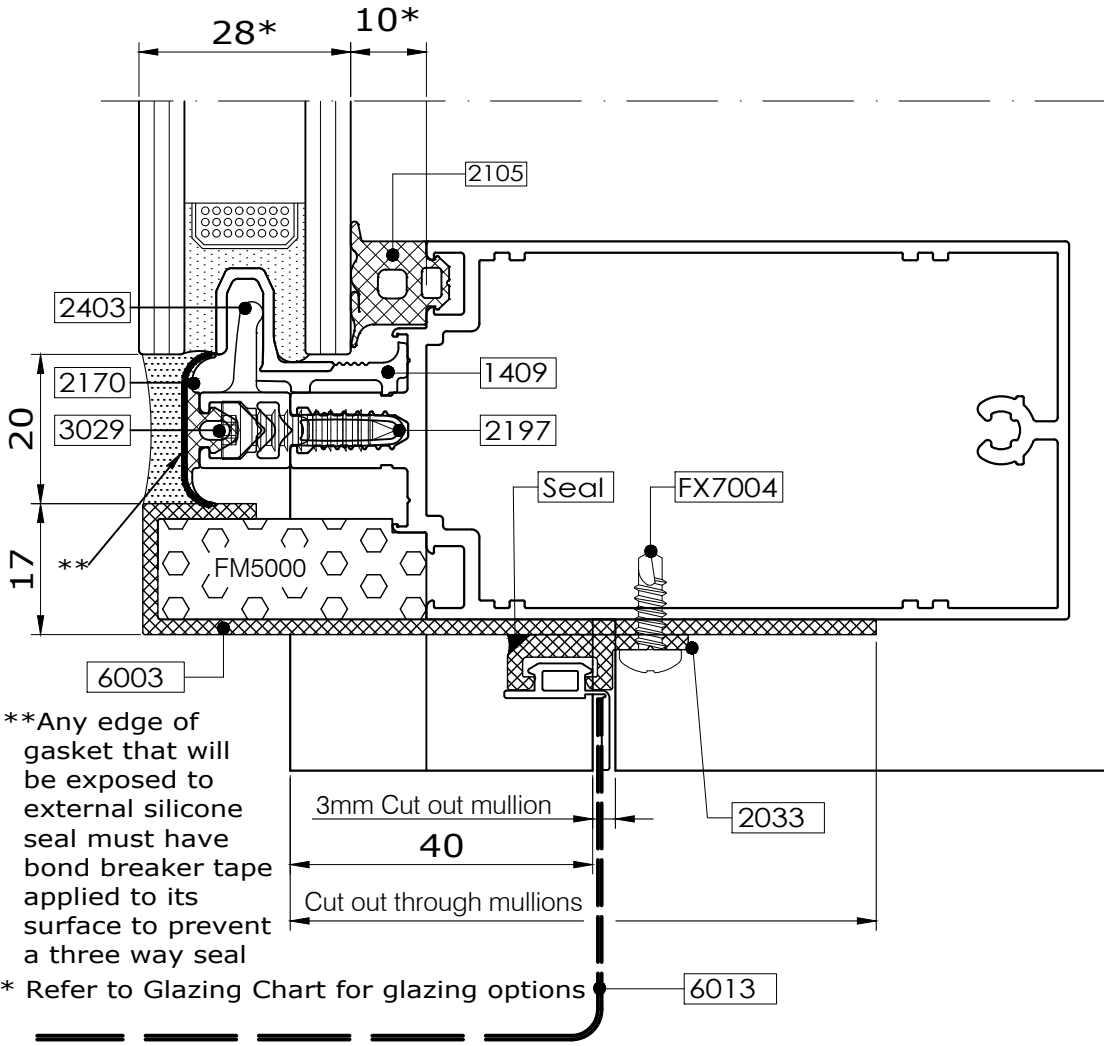
2

Comar 6EFT

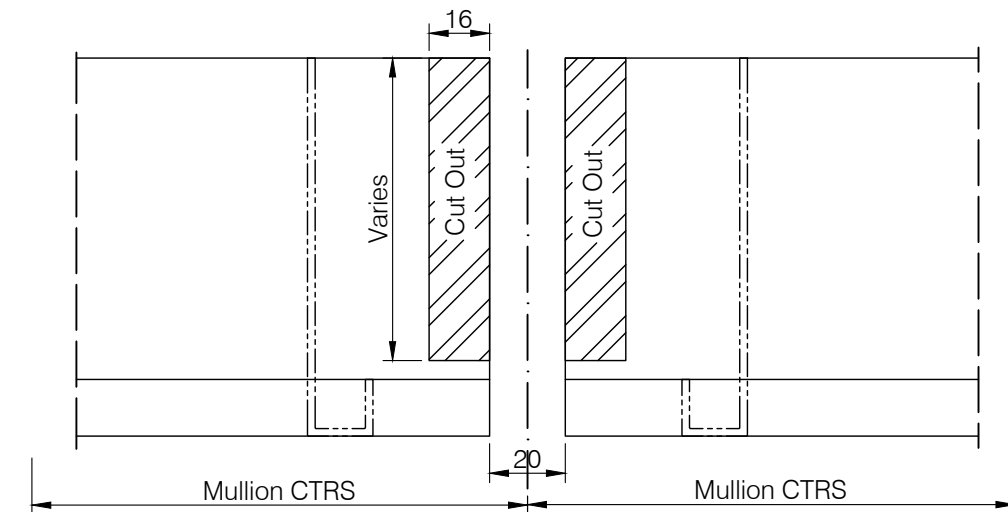
Transom sill Closure detail



2.109



Fabricators Guide



Copyright and ownership of this drawing is vested in EFT, Euro Facade Systems Ltd, whose prior written consent is required for its use, reproduction or for publication to any third party. All other rights reserved. Subject to modifications.



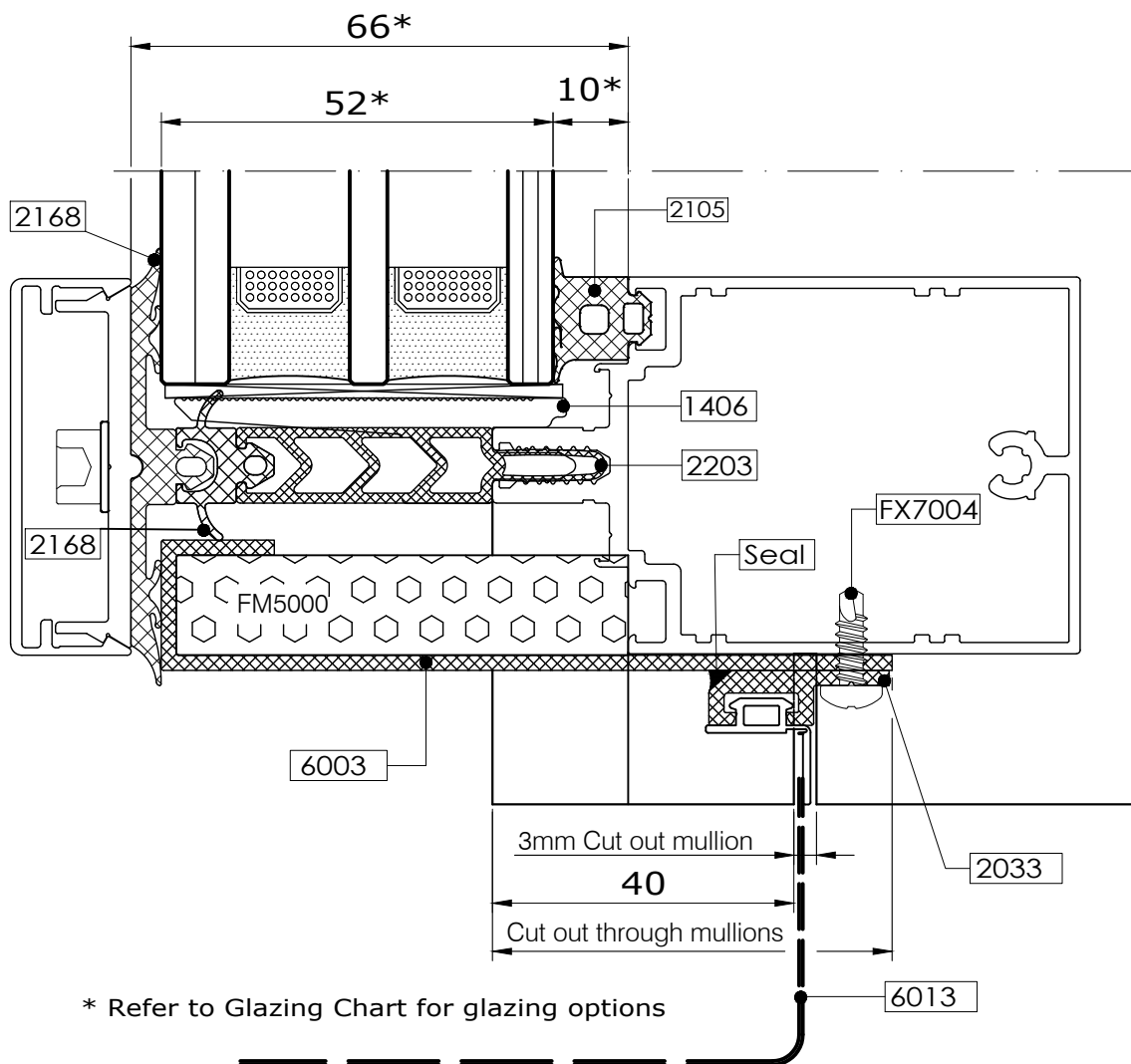
comar
ARCHITECTURAL ALUMINIUM SYSTEMS

Changes reserved
Sous reserve de modifications
Änderungen vorbehalten

Issue: 05
Date : 10 -16

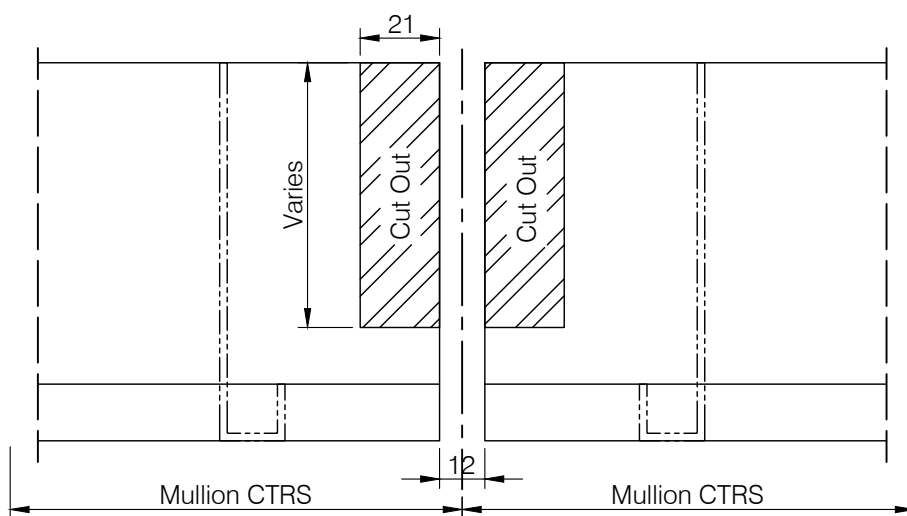
Transom sill
Closure detail

Copyright and ownership of this drawing is vested in EFT, Euro Facade Systems Ltd, whose prior written consent is required for its use, reproduction or for publication to any third party. All other rights reserved. Subject to modifications.



2.110

Fabrications Guide



Changes reserved
Sous reserve de modifications
Änderungen vorbehalten

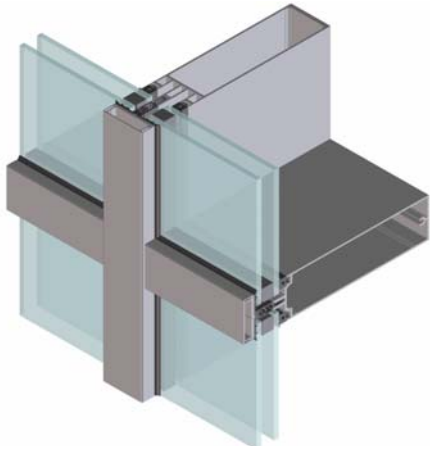
Issue: 05
Date : 10 -16

Copyright and ownership of this drawing is vested in EFT, Euro Facade Systems Ltd, whose prior written consent is required for its use, reproduction or for publication to any third party. All other rights reserved. Subject to modifications.

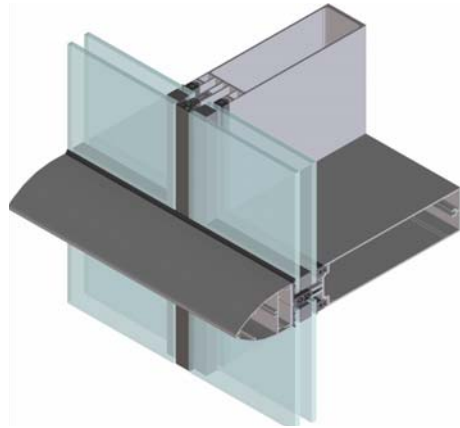
3

Glazing Charts

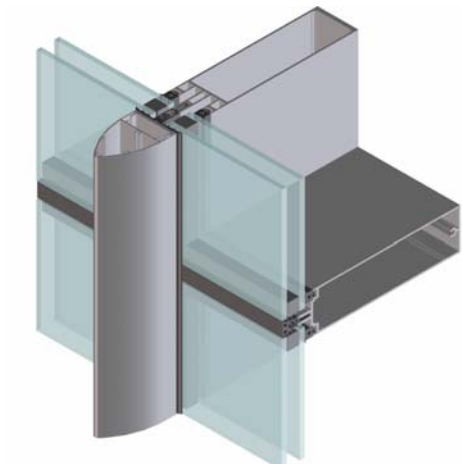
Comar 6EFT



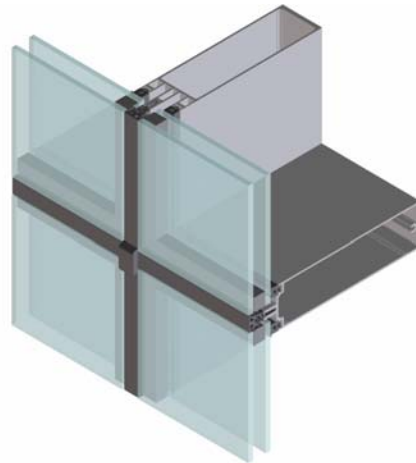
Capped



2 sided SGH



2 sided SGV



4 sided SG

Fabricators Guide

Changes reserved
Sous reserve de modifications
Änderungen vorbehalten

Issue: 05
Date : 10-16

Important Information

BONDING AND SEALING - ADHESIVE DETAILS

For Comar 6 EFT Curtain Walling System

1. For the 20mm Glass to Glass sealant joint, you can use Dow Corning 797. This is a one part low modulus silicone sealant, for laminated and surface coated glass contact Dow Corning for suitability. If using other brands please ensure that it is suitable. A bond breaker tape is required to the outside gasket surface to prevent a three way seal. Minimum joint sealant thickness is usually 6mm with a ratio of 2:1.

It is advisable to use an approved applicator to ensure quality of workmanship. Your Sealant Supplier can advise your nearest agent.

2. For Structural Bonding applications (double glazed units / single glass panes to frames and Concealed Vents) Dow Corning sealant 993 is recommended. When bonding to aluminium it is recommended that the bonding surface is anodised prior to bonding. Alternatively, if bonding to powder coat or other finish the bonding agent and the profile finish MUST be checked for compatibility by the finish applicator / sealant supplier.
3. For general external pointing Dow Corning 791 (or equivalent) with appropriate backer rod is recommended for gaps to walls etc.
4. The gasket sealant is specified by us as this forms an important part of the rebate seal and is specified as Arbomeric MP20 from Adshead Ratcliffe. Therefore gasket joints and any bedding required (including all transom gasket grooves) should have this sealant applied. One should also bed 100mm up or down the vertical (mullion) from a transom corner joint.
5. The above notes are for guidance only and any customer should satisfy themselves that the product being used is fit for purpose.

Important information

Glass cutting sizes

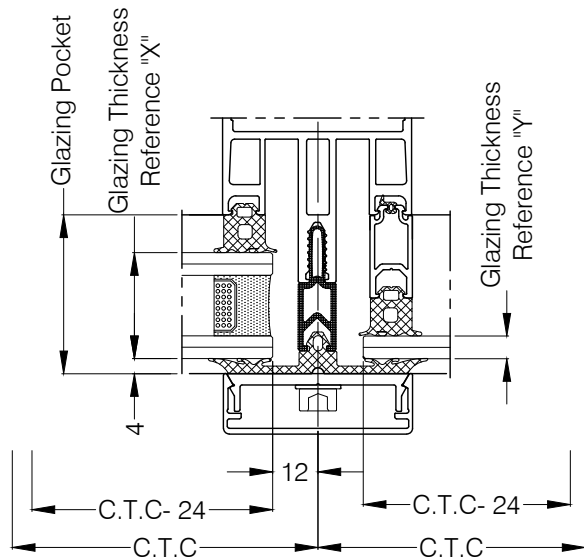
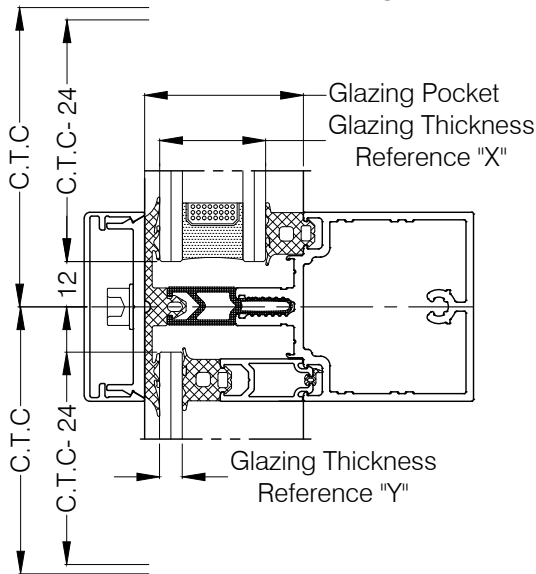
For standard curtain walling glass cutting sizes are:

C.T.C - 24mm e.g. 7mm ventilation gap.

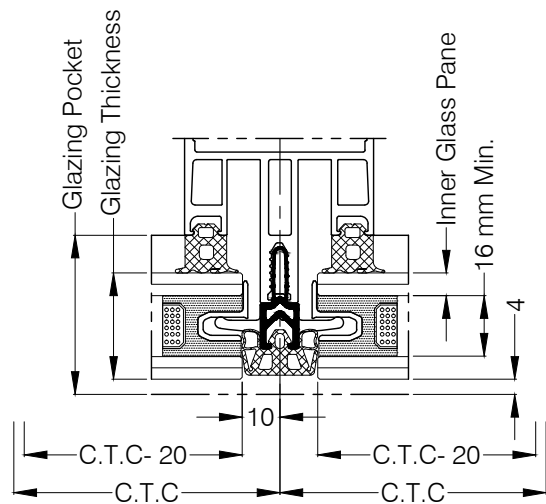
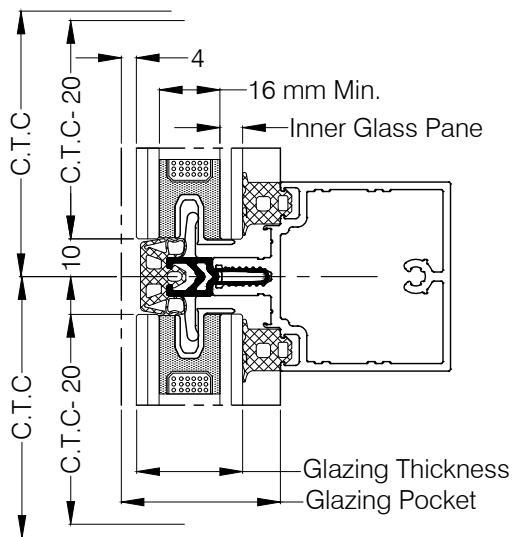
For 2 and 4 sided structural glazing glass cutting sizes are:

C.T.C - 20mm e.g. 5mm ventilation gap.

Standard Curtain walling

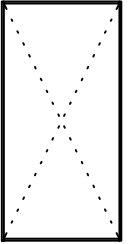


Structural Sealed Glazing



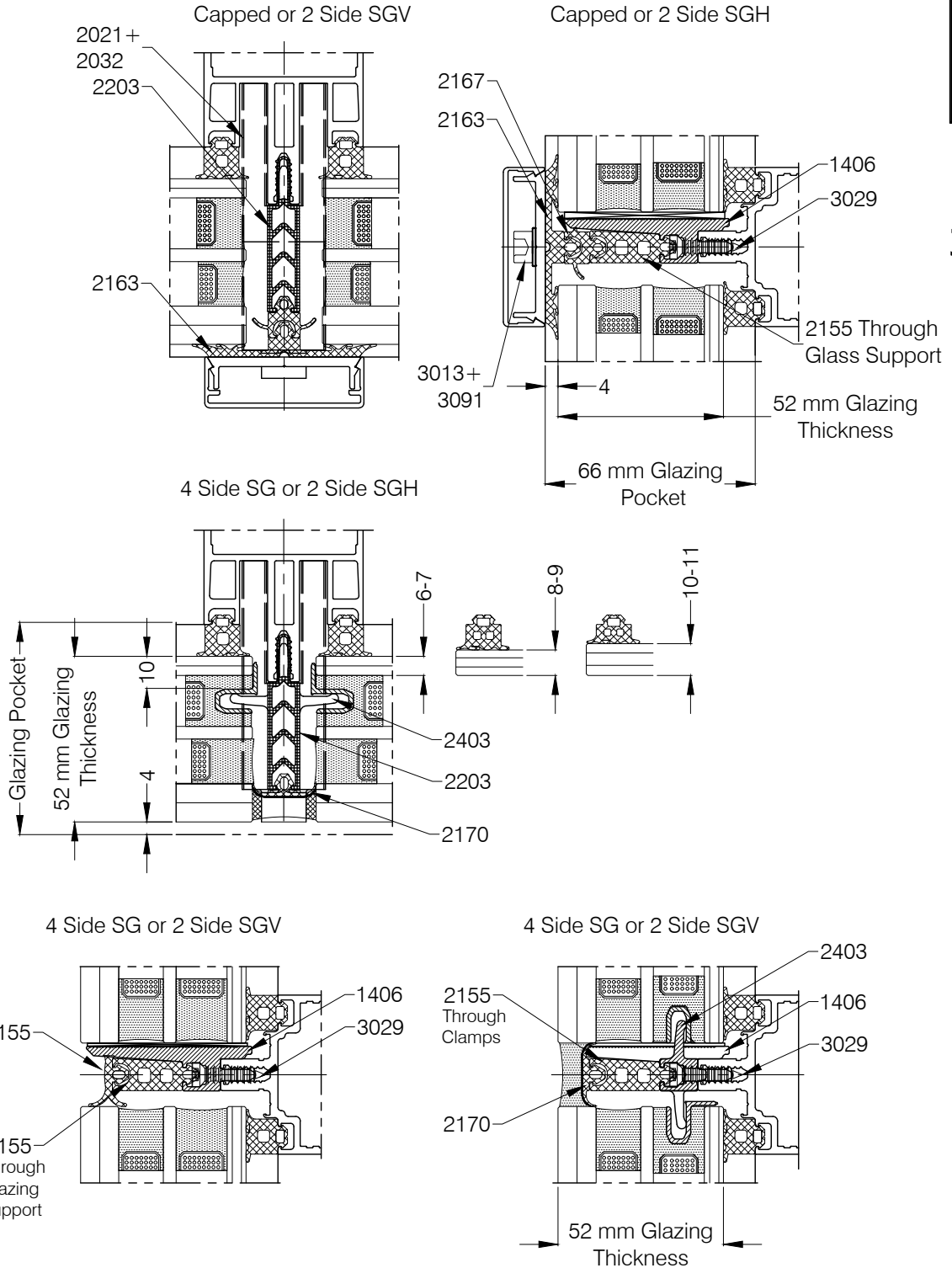
Detail section

Inner Glass Thickness 6-11 mm



3.00

Copyright and ownership of this drawing is vested in EFT, Euro Facade Systems Ltd, whose prior written consent is required for its use, reproduction or for publication to any third party. All other rights reserved. Subject to modifications.

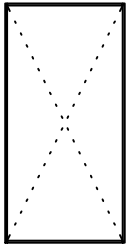


Changes reserved
 Sous reserve de modifications
 Änderungen vorbehalten

Issue: 05
 Date : 04-17

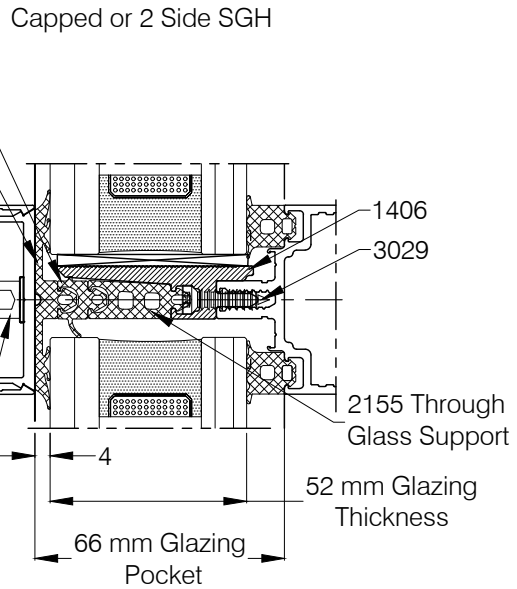
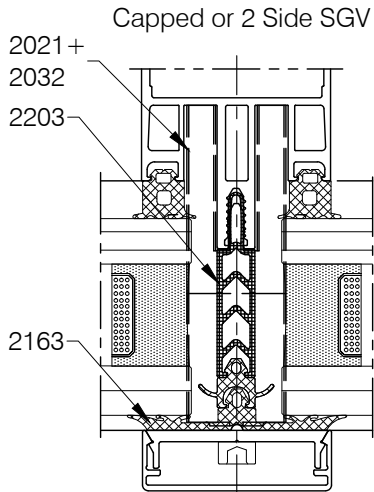
Comar 6EFT

Detail section

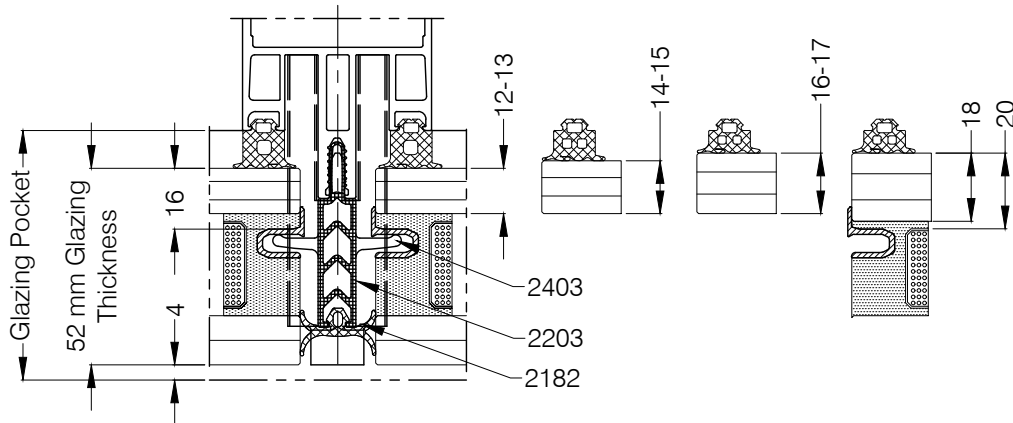


3.01

Inner Glass Thickness 12-18 mm

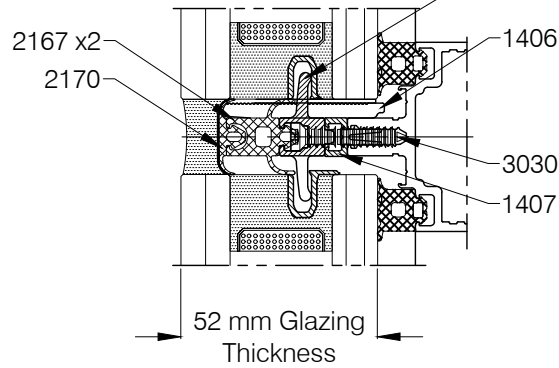
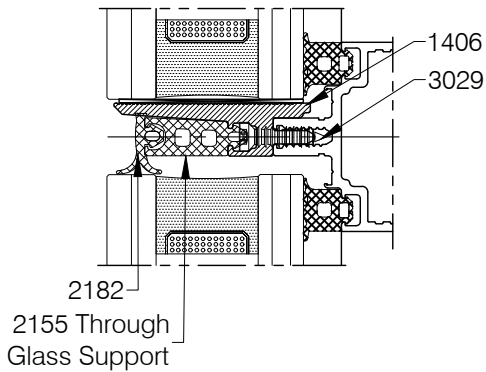


4 Side SG or 2 Side SGH



4 Side SG or 2 Side SGV

4 Side SG or 2 Side SGV



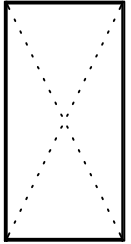
Fabricators Guide

Copyright and ownership of this drawing is vested in EFT, Euro Facade Systems Ltd, whose prior written consent is required for its use, reproduction or for publication to any third party. All other rights reserved. Subject to modifications.



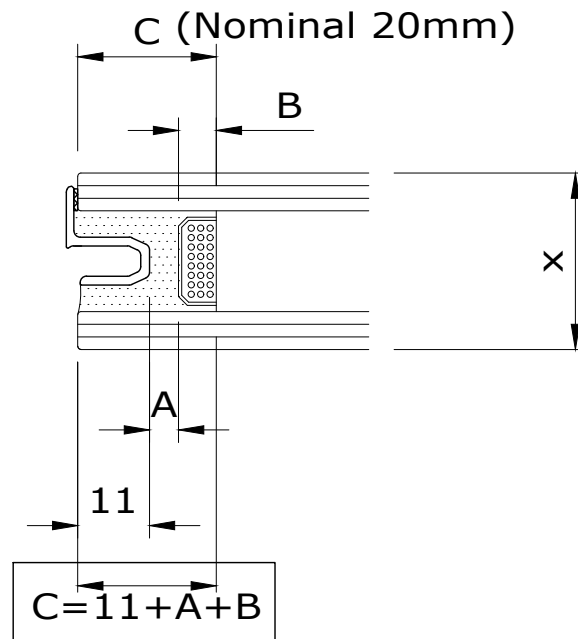
Structural sealed units

Comar 6EFT



A Sealant dimension C (side line spacer)

The sealant dimension (A) is set by your glass supplier according to standards and calculations made and as set by the structural sealant supplier (re: warranty)



3.02

B Sealant dimension A

Dimension A depends on and/or will be influenced by:

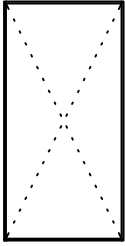
- if for 2 or 4 sided structural glazing
- Project situation (location- building height etc.) requirements / windload etc.
- Glazing insert length (standard length / pcs = 100mm)
- Number of inserts used (depends on if 2 or 4 sided structural glazing)
- Glass size / load - weight
- Structural Sealant type used

C Other

For further information, details and options please check Fabrication details

Comar 6EFT

Glazing thickness & inserts



3.03

Double or Triple Glass Panel- 2 Side SGH, 2 Side SGV, 4 Side SG	
Outer Glass Pane (mm)	Inner Glass Pane (mm)
	6-7 8-9 10-11
6-7	<p>2401</p> <p>Min.28</p> <p>Min.16</p>
8-9	
10-11	
12-13	

Double or Triple Glass Panel- 2 Side SGH, 2 Side SGV, 4 Side SG	
Outer Glass Pane (mm)	Inner Glass Pane (mm)
	12-13 14-15 16-17 18
6-7	<p>2416</p> <p>Min.16</p> <p>Min.14</p>
8-9	
10-11	
12-13	

Single Glass Panel- 2 Side SGH, 2 Side SGV, 4 Side SG			
Outer Glass Pane (mm)			
6-7	8-9	10-11	12-13
<p>Min.28</p> <p>5</p> <p>A</p>	<p>5</p> <p>A</p>	<p>5</p> <p>A</p>	<p>5</p> <p>A</p>

The sealant dimension (A) is set by your glass supplier according to standards and calculation.
 For details see Glazing Chart.
 For glazing thickness above 56mm please contact Technical Support.

Copyright and ownership of this drawing is vested in EFT, Euro Facade Systems Ltd, whose prior written consent is required for its use, reproduction or for publication to any third party. All other rights reserved. Subject to modifications.

Fabricators Guide

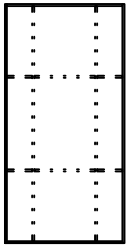


Glazing Chart Explanation 4 sided SG C.W.

Copyright and ownership of this drawing is vested in EFT, Euro Facade Systems Ltd, whose prior written consent is required for its use, reproduction or for publication to any third party. All other rights reserved. Subject to modifications.

Glazing Pocket 48mm		Inner Glass Pane (mm)			Glazing Thickness			
		6-7	8-9	10-11	34	36	38	
2102 6mm 2101	Outer Glass Pane (mm)	12		X			X	
		10					18	20
		8					18	20
2104 8mm 2103	Outer Glass Pane (mm)	12	X			X	18	
		10				18	20	22
		8				18	20	22
2106 10mm 2105	Outer Glass Pane (mm)	12	X		X	18	20	
		10				18	20	22
		8				20	22	24
	6				22	24		

X = 16mm
Minimum glazing spacer



3.04

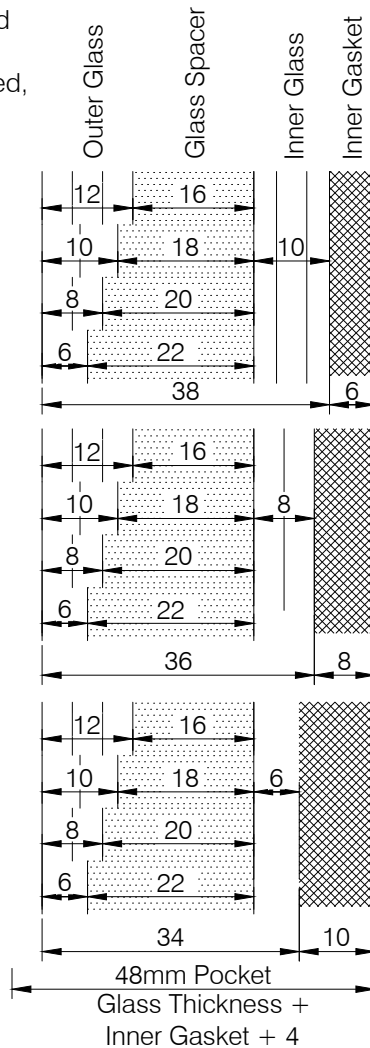
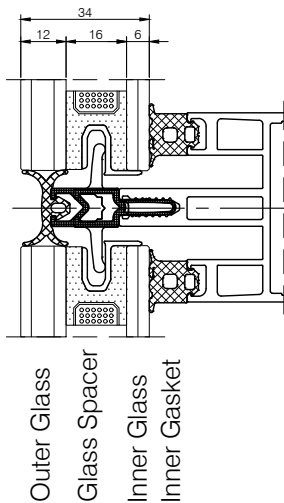
Highlighted options in row indicate same outer glazing thickness

*Glazing Spacer Guide Size

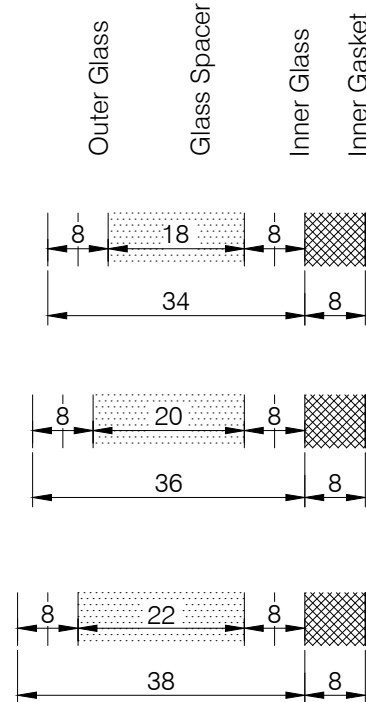
*when choosing larger spacer sizes consult spacer manufacture and confirm correct components are selected, ie: gaskets, supports, clamps & drainage diverters.

Highlighted Options

Highlighted options in column indicate outer glazing faces are aligned

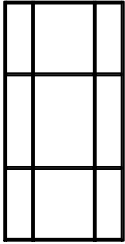


Highlighted Options



Changes reserved
Sous réserve de modifications
Änderungen vorbehalten

Issue: 05
Date : 10-16



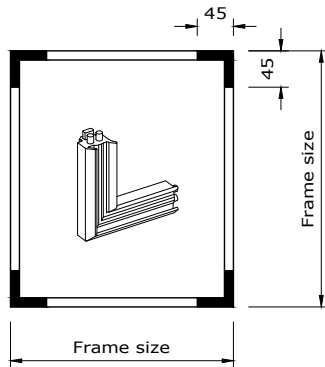
Important information

A Internal gaskets

For gaskets from 6 to 16 mm moulded corners are available to ensure secure excellent performance regarding water / air tightness. Seal joints with recommended sealant.

3.05

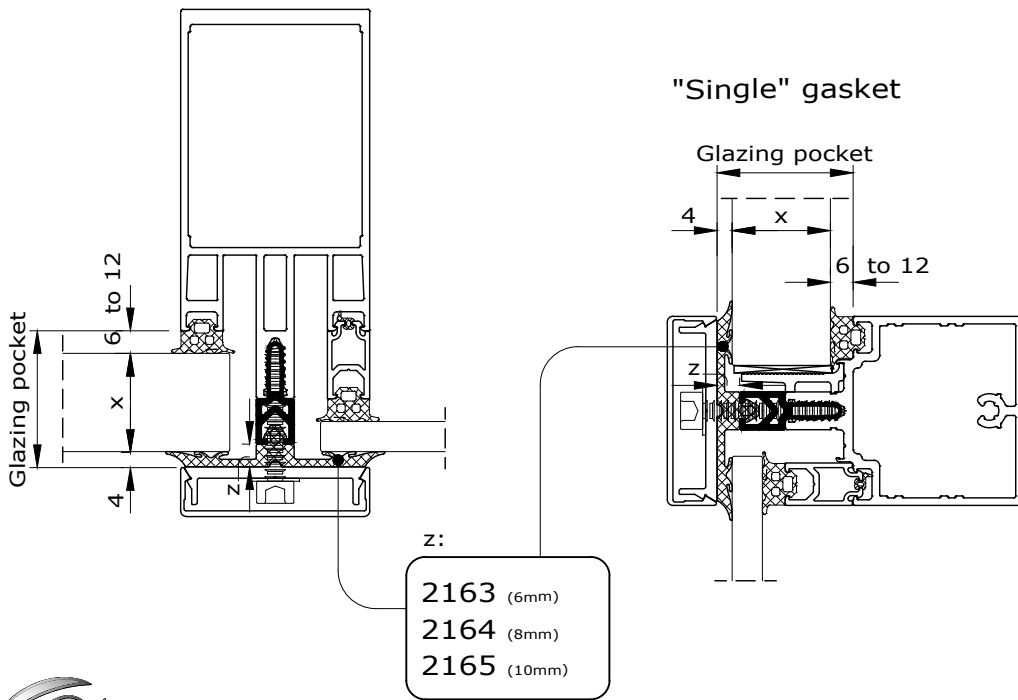
4 corners are required per frame, see sketch.



For other gasket sizes or types, please contact Comar's technical department.

B External gaskets / gasket options:

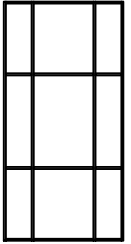
Vertical and horizontal , **Single gasket**
EFT 2163 (6mm) or EFT 2164(8mm) etc.



Copyright and ownership of this drawing is vested in EFT, Euro Facade Systems Ltd, whose prior written consent is required for its use, reproduction or for publication to any third party. All other rights reserved. Subject to modifications.




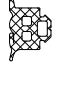

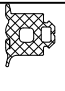

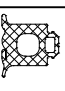

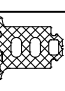
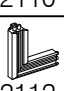
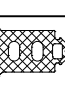
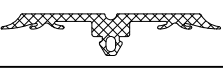
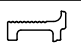

Capped curtain wall

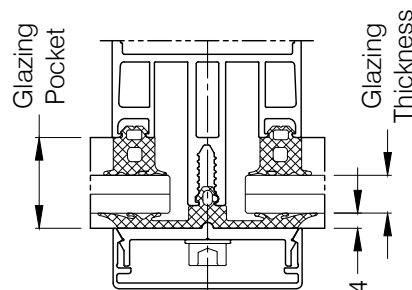
Comar 6EFT



3.06

Copyright and ownership of this drawing is vested in EFT, Euro Facade Systems Ltd, whose prior written consent is required for its use, reproduction or for publication to any third party. All other rights reserved. Subject to modifications.

GLAZING POCKET 24	Glazing Thickness (mm)					
	4	6	8	10	12	14
 2102  6mm 2101						X
 2104  8mm 2103					X	
 2106  10mm 2105				X		
 2108  12mm 2107			X			
 2110  14mm 2109		X				
 2112  16mm 2111	X					
	2163- 6mm Pressure Plate Gasket					
	2301- 15mm Glass Support					
	3006- 25mm Screw 3091- Washer					



Changes reserved
 Sous reserve de modifications
 Änderungen vorbehalten

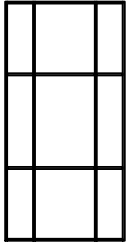
Issue: 05
 Date : 10-16

Glazing charts

3

Comar 6EFT

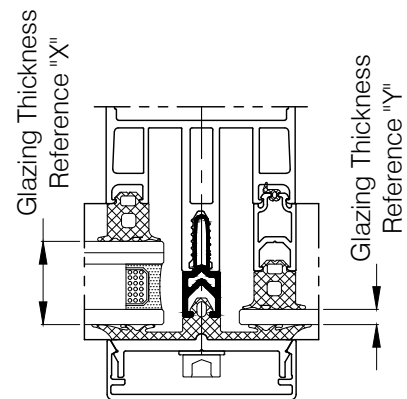
Capped curtain wall



3.07

Fabricators Guide

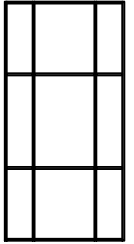
GLAZING POCKET 36	Glazing Thickness Reference "X" (mm)					
	16	18	20	22	24	26
2102 6mm 2101			Y			X
2104 8mm 2103		Y			X	
2106 10mm 2105	Y			X		
2108 12mm 2107			X			Y
2110 14mm 2109		X			Y	
2112 16mm 2111	X			Y		
2490 6mm 1330				Y	Y	Y
2490 18mm 1328	Y	Y	Y			
Glazing Thickness Reference "Y" (mm)	4	6	8	10	12	14
	2163- 6mm Pressure Plate Gasket					
	2197- 12mm Thermal Break					
	2305- 27mm Glass Support					
	3008 - 38mm Screw 3091 - Washer					
	2021- 50mm Drainage Diverter					






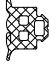
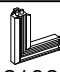
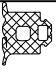
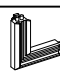
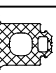
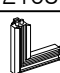
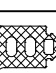


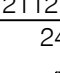
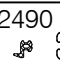
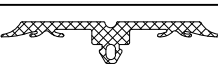

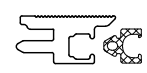

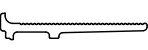

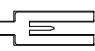
Copyright and ownership of this drawing is vested in EFT, Euro Facade Systems Ltd, whose prior written consent is required for its use, reproduction or for publication to any third party. All other rights reserved. Subject to modifications.

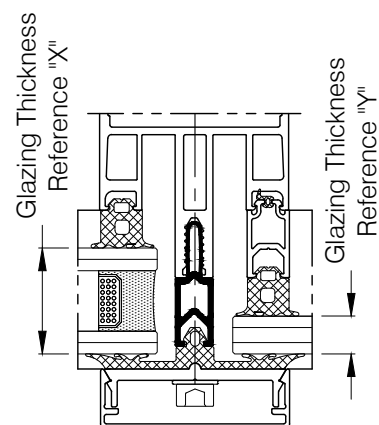
Capped curtain wall

Comar 6EFT



3.08

GLAZING POCKET 42		Glazing Thickness Reference "X" (mm)							
		22	24	26	28	30	32		
 2102	 6mm 2101			Y			X		
 2104	 8mm 2103		Y			X			
 2106	 10mm 2105		Y		X				
 2108	 12mm 2107	Y			X		Y		
 2110	 14mm 2109	Y		X		Y			
 2112	 16mm 2111		X		Y				
 2490 1330	6mm				Y	Y	Y		
 2490 1328	18mm	Y	Y	Y	Y				
Glazing Thickness Reference "Y" (mm)		6	8	10	12	14	16	18	20
	2163- 6mm Pressure Plate Gasket								
	2200- 18mm Thermal Break								
	1401 - 28mm Glass Support + 2153- 6mm Gasket								
	3029-23mm Screw								
OR 	2306- 33mm Glass Support 1409- 33mm Glass Support								
	3090- 42mm Screw 3091- Washer								
	2020- 56mm Drainage Diverter								

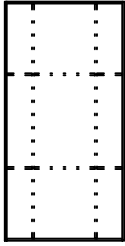


Glazing charts

3

Comar 6EFT

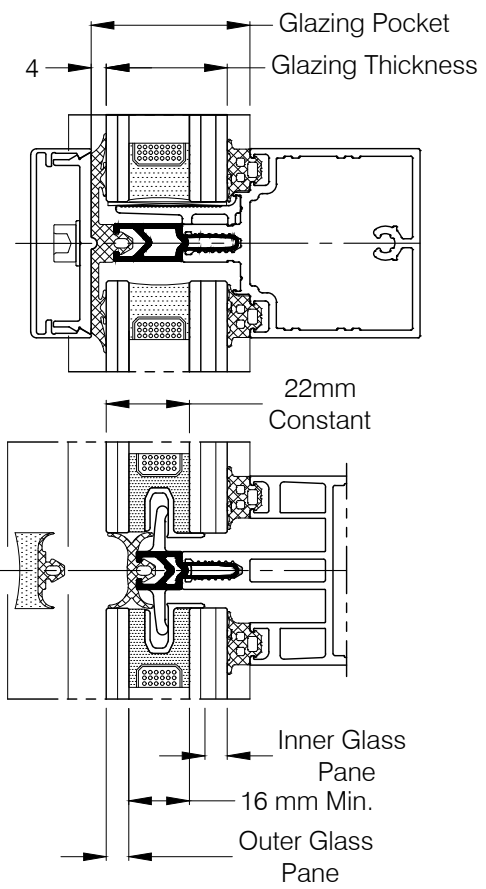
2 sided SGH & SGV c.w.



3.09

GLAZING POCKET 42		Outer Glass Pane (mm)		Inner Glass Pane (mm)			Glazing Thickness (mm)		
		6	6-7	8-9	10-11	28	30	32	
	6mm 2101	X			X			X	
	8mm 2103	X		X			X		
	10mm 2105	X	X			X			
	2153	1401-28mm Glass Support							
OR		1409- 33mm Glass Support							
		3029-23mm Screw							
		2163-6mm Pressure Plate Gasket							
		3090+ 3091 42mm Screw + Washer							
		2020 56mm Drainage Diverter							
		2200-18mm Thermal Break							
OR		2170- 2mm Joint Gasket							
OR		2182- 2mm Joint Gasket							
		2175- 7mm Joint Gasket							
		2197- 12mm Thermal Break							
		2403- 12mm Double Glazing Clamp							

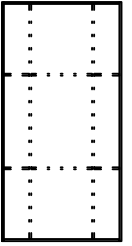
STRUCTURAL



Fabricators Guide



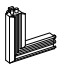



Copyright and ownership of this drawing is vested in EFT, Euro Facade Systems Ltd, whose prior written consent is required for its use, reproduction or for publication to any third party. All other rights reserved. Subject to modifications.





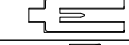


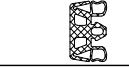


4 sided SG c.w.

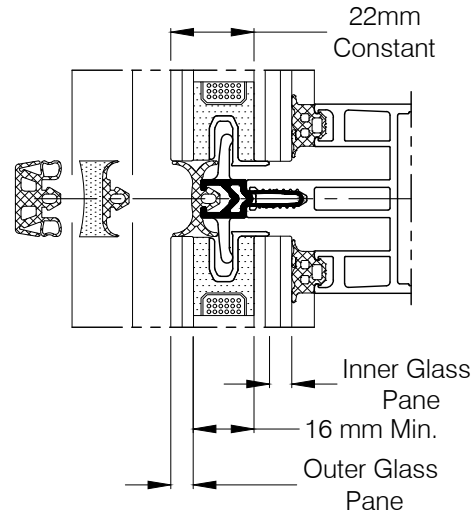


3.10

Copyright and ownership of this drawing is vested in EFT, Euro Facade Systems Ltd, whose prior written consent is required for its use, reproduction or for publication to any third party. All other rights reserved. Subject to modifications.

GLAZING POCKET 42	Outer Glass Pane (mm)		Inner Glass Pane (mm)			Glazing Thickness (mm)		
	6	6-7	8-9	10-11	28	30	32	
  2102 6mm 2101	X			X			X	
  2104 8mm 2103	X		X			X		
  2106 10mm 2105	X	X			X			

 2153 OR 	1401-28mm Glass Support
	1409- 33mm Glass Support
	3029-23mm Screw
	2021 50mm Drainage Diverter
OR 	2170- 2mm Joint Gasket
OR 	2182- 2mm Joint Gasket
	2175- 7mm Joint Gasket
	2197- 12mm Thermal Break
	2403- 12mm Double Glazing Clamp



Fabricators Guide

Changes reserved
 Sous reserve de modifications
 Änderungen vorbehalten

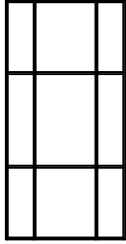
Issue: 05
 Date : 10-16

Glazing charts

3

Comar 6EFT

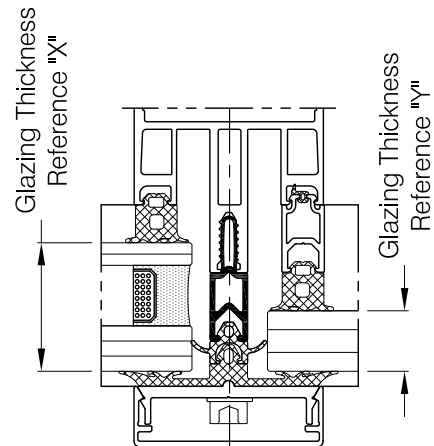
Capped curtain wall



3.11

Fabricators Guide

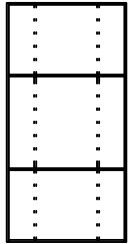
GLAZING POCKET 48							Glazing Thickness Reference "X" (mm)					
							28	30	32	34	36	38
2102	6mm 2101								Y			X
2104	8mm 2103							Y			X	
2106	10mm 2105						Y			X		
2108	12mm 2107				Y				X			Y
2110	14mm 2109		Y		Y				X			Y
2112	16mm 2111	Y		Y			X			Y		
2490	6mm 1330									Y	Y	Y
2490	18mm 1328			Y	Y	Y	Y	Y	Y			
2490	22mm 1329	Y	Y									
Glazing Thickness Reference "Y" (mm)		6	8	10	12	14	16	18	20	22	24	26
	2163 - 6mm Pressure Plate Gasket											
	2200 - 18mm Thermal Break											
	1407 - 36mm Glass Support + 2153 - 6mm Gasket											
OR	3029 - 23mm Screw											
	1411 - 40mm Glass Support											
	2166 6mm High Preformed Gasket											
	3010 - 50mm Screw 3091 - Washer											
	2026 - 64mm Drainage Diverter											



Copyright and ownership of this drawing is vested in EFT, Euro Facade Systems Ltd, whose prior written consent is required for its use, reproduction or for publication to any third party. All other rights reserved. Subject to modifications.

2 sided SGH & SGV c.w.

Comar 6EFT

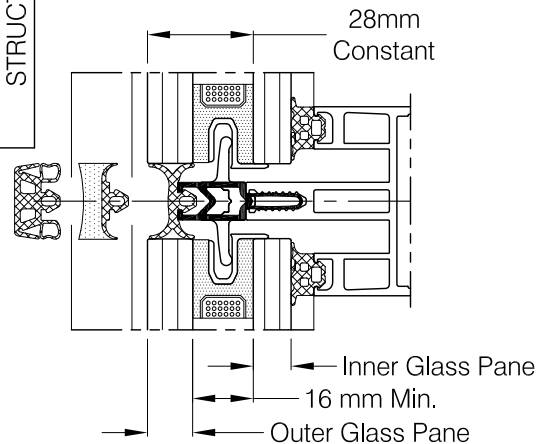
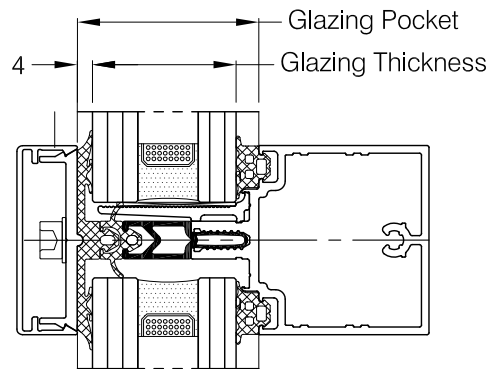


3.12

Copyright and ownership of this drawing is vested in EFT, Euro Facade Systems Ltd, whose prior written consent is required for its use, reproduction or for publication to any third party. All other rights reserved. Subject to modifications.

GLAZING POCKET 48	Outer Glass Pane (mm)		Inner Glass Pane (mm)			Glazing Thickness (mm)		
	12	6-7	8-9	10-11	34	36	38	
2102 2101	X			X			X	
2104 2103	X		X			X		
2106 2105	X	X			X			

2153 OR 	1407-36mm Glass Support	STRUCTURAL
	1411- 40mm Glass Support	
	3029-23mm Screw	
	2163-6mm Pressure Plate Gasket	
	3010+ 3091 50mm Screw + Washer	
	2026 64mm Drainage Diverter	
	2200-18mm Thermal Break	
	2166- 6mm Gasket	
OR OR 	2170- 2mm Joint Gasket 2182- 2mm Joint Gasket 2175- 7mm Joint Gasket	
	2403- 12mm Double Glazing Clamp	



Changes reserved
 Sous reserve de modifications
 Änderungen vorbehalten

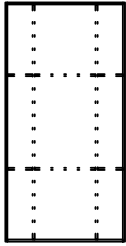
Issue: 05
 Date : 12-17

Glazing charts




3

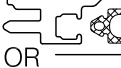
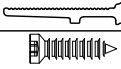
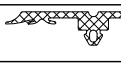



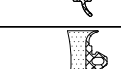





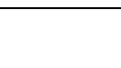


Comar 6EFT

2 sided SGH & SGV c.w.

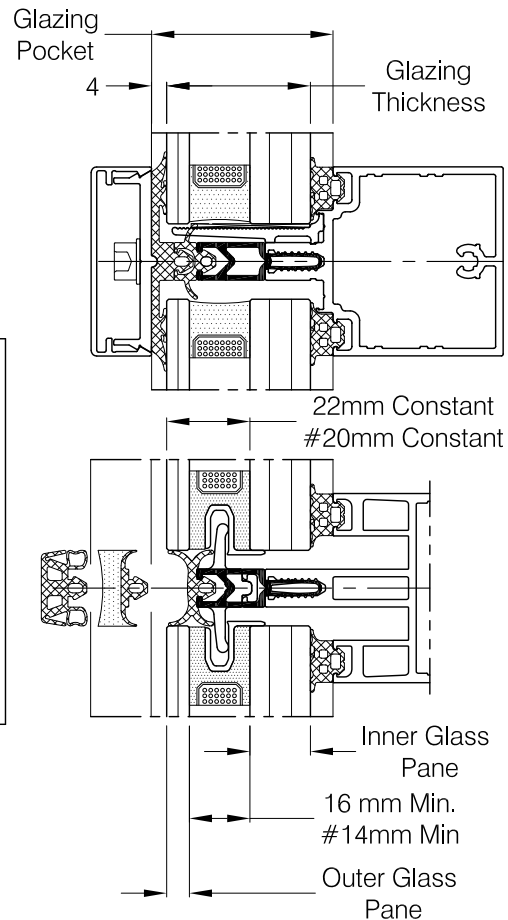


3.13

GLAZING POCKET 48	Outer Glass Pane (mm)	Inner Glass Pane (mm)				Glazing Thickness (mm)		
	6	12-13	14-15	16-17	18 [#]	34	36	38
 2102 6mm 2101	X			X	X			X
 2104 8mm 2103	X		X				X	
 2106 10mm 2105	X	X				X		

 2153 OR 	1407-36mm Glass Support
	1411- 40mm Glass Support
	3029-23mm Screw
	2163-6mm Pressure Plate Gasket
	3010+ 3091 50mm Screw + Washer
	2026 64mm Drainage Diverter
	2200-18mm Thermal Break
	2166- 6mm Gasket
OR 	2170- 2mm Joint Gasket
OR 	2182- 2mm Joint Gasket
	2175- 7mm Joint Gasket
	2403- 12mm Double Glazing Clamp
	1390- 70mm Length
	3030 29mm Screw

STRUCTURAL



Copyright and ownership of this drawing is vested in EFT, Euro Facade Systems Ltd, whose prior written consent is required for its use, reproduction or for publication to any third party. All other rights reserved. Subject to modifications.

Fabricators Guide



comar

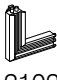



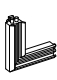

ARCHITECTURAL ALUMINIUM SYSTEMS

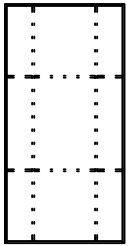
Changes reserved
Sous reserve de modifications
Änderungen vorbehalten

Issue: 05
Date : 12-17


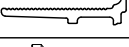




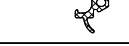





4 sided SG c.w.

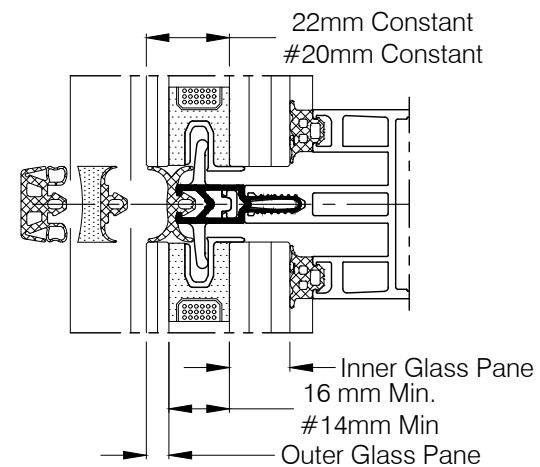
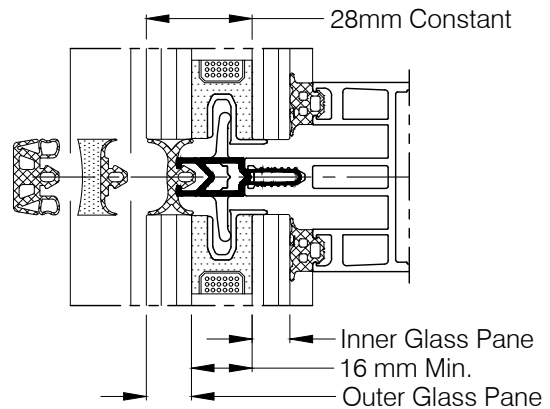
Copyright and ownership of this drawing is vested in EFT, Euro Facade Systems Ltd, whose prior written consent is required for its use, reproduction or for publication to any third party. All other rights reserved. Subject to modifications.

GLAZING POCKET 48		Inner Glass Pane (mm)							Glazing Thickness		
		6-7	8-9	10-11	12-13	14-15	16-17	18 [#]	34	36	38
 2102  6mm 2101	Outer Glass Pane (mm)	12		X							X
		10									
		8									
 2104  8mm 2103	Outer Glass Pane (mm)	12	X							X	
		10									
		8									
 2106  10mm 2105	Outer Glass Pane (mm)	12	X			X			X		
		10									
		8									
	6				X			X			



3.14

 2153	1407-36mm Glass Support
OR 	1411- 40mm Glass Support
	3029-23mm Screw
	2020 56mm Drainage Diverter
	2200-18mm Thermal Break
	2166- 6mm Gasket
OR 	2170- 2mm Joint Gasket
OR 	2182- 2mm Joint Gasket
	2175- 7mm Joint Gasket
	2403- 12mm Double Glazing Clamp
	1390- 70mm Length
	3030 29mm Screw



Changes reserved
 Sous reserve de modifications
 Änderungen vorbehalten

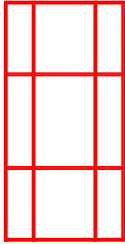
Issue: 05
 Date : 10-16

Glazing charts

3

Comar 6EFT

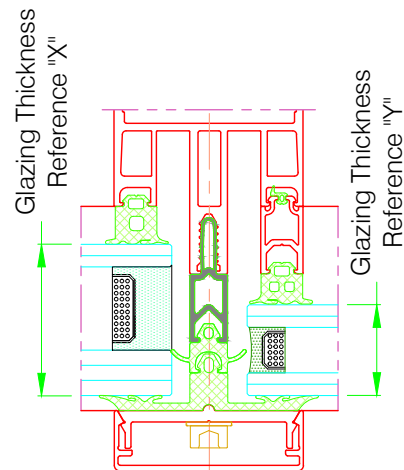
Capped curtain wall



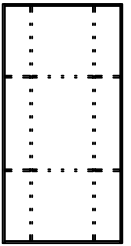
3.15

Fabricators Guide

GLAZING POCKET 54									Glazing Thickness Reference "X" (mm)							
									34	36	38	40	42	44		
		6mm 2101										Y				X
		8mm 2103									Y				X	
		10mm 2105								Y				X		
		12mm 2107			Y				Y				X			Y
		14mm 2109		Y			Y		Y				X			Y
		16mm 2111	Y			Y		Y					X		Y	
		6mm 1330	Y	Y	Y									Y	Y	Y
		18mm 1328					Y	Y	Y	Y	Y	Y				
		22mm 1329	Y	Y	Y	Y	Y									
Glazing Thickness Reference "Y" (mm)			6	8	10	12	14	16	18	20	22	24	26	28	30	32
	2165- 10mm Pressure Plate Gasket															
	2200- 18mm Thermal Break															
	1404 - 40mm Glass Support + 2153- 6mm Gasket															
	2167 8mm High Preformed Gasket															
	3029-23mm Screw															
	3011- 55mm Screw 3091- Washer															
	2026- 64mm Drainage Diverter															



Copyright and ownership of this drawing is vested in EFT, Euro Facade Systems Ltd, whose prior written consent is required for its use, reproduction or for publication to any third party. All other rights reserved. Subject to modifications.



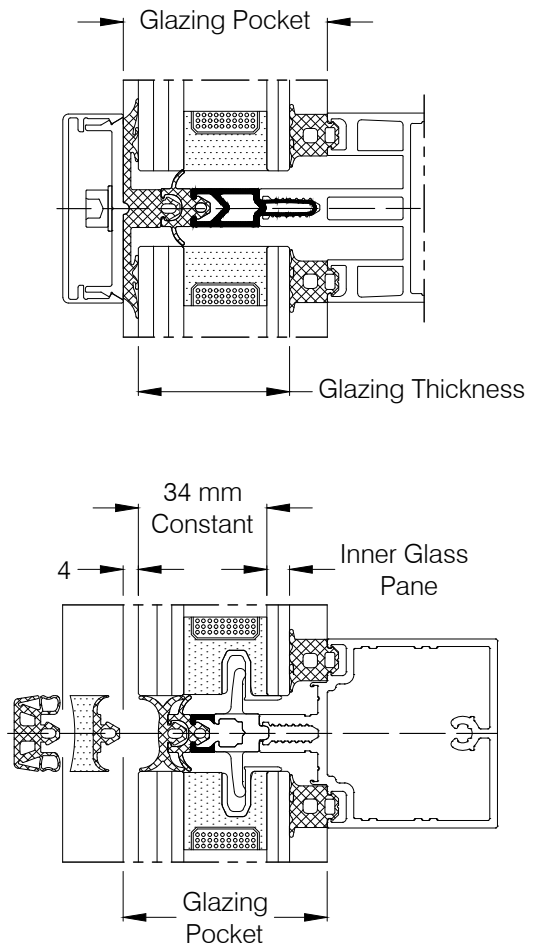
3.16

Copyright and ownership of this drawing is vested in EFT, Euro Facade Systems Ltd, whose prior written consent is required for its use, reproduction or for publication to any third party. All other rights reserved. Subject to modifications.

GLAZING POCKET 54	Inner Glass Pane (mm)			Glazing Thickness (mm)		
	6-7	8-9	10-11	40	42	44
2102 6mm 2101			X			X
2104 8mm 2103		X			X	
2106 10mm 2105	X			X		

	1404- 40mm Glass Support	STRUCTURAL
	2153 - 6mm Gasket	
	3029- 23mm Screw	
	2165- 10mm Pressure Plate Gasket	
	3011+ 3091 55mm Screw + Washer	
	2167 8mm Gasket	
	2200-18mm Thermal Break	
	2166- 6mm Gasket	
OR	2170 Joint Gasket	
OR	2182 Joint Gasket	
OR	2175 Joint Gasket	
	2403 12mm Glazing Clamp	
	2153 - 6mm Gasket	
	2026 64mm Drainage Diverter	

OUTER GLASS PANE MAX. 12-13mm



Changes reserved
 Sous reserve de modifications
 Änderungen vorbehalten

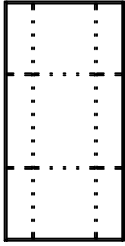
Issue: 05
 Date : 10-16

Glazing charts

3

Comar 6EFT

2 sided SGH & SGV c.w.

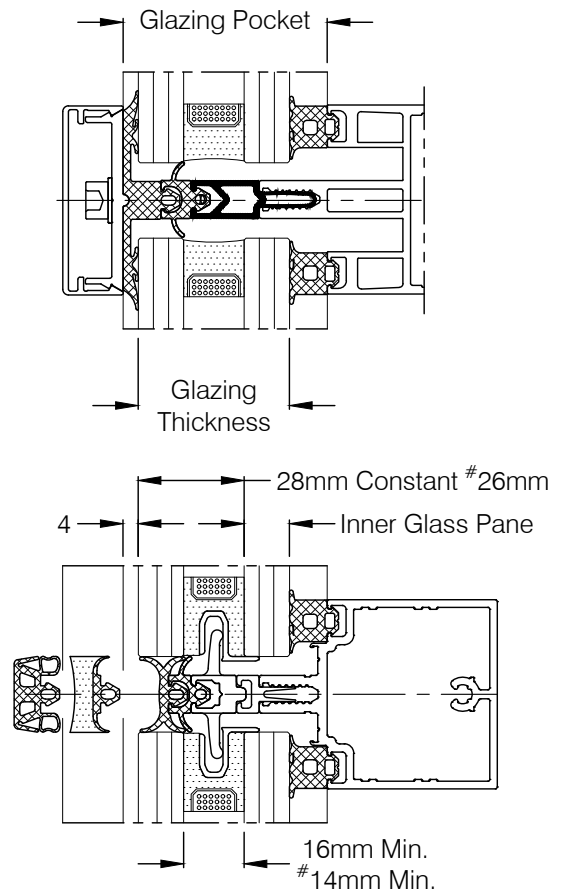


3.17

Fabricators Guide

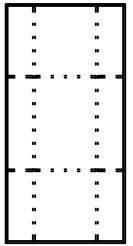
GLAZING POCKET 54		Inner Glass Pane (mm)				Glazing Thickness (mm)		
		12-13	14-15	16-17	18 [#]	40	42	44
	6mm 2101			X	X			X
	8mm 2103		X			X		
	10mm 2105	X				X		
	1404- 40mm Glass Support	STRUCTURAL						
	2153- 6mm Gasket							
	3029-23mm Screw							
	2165- 10mm Pressure Plate Gasket							
	3011+ 3091 55mm Screw + Washer							
	2167 8mm- Gasket							
	2200-18mm Thermal Break							
	2166 6mm- Gasket							
	2170 Joint Gasket							
OR	2182 Joint Gasket							
OR	2175 Joint Gasket							
	2403 12mm Glazing Clamp							
	1390 - 70mm Length							
	3030 29mm Screw							
	2026 64mm Drainage Diverter							

OUTER GLASS PANE MAX. 12-13mm



Copyright and ownership of this drawing is vested in EFT, Euro Facade Systems Ltd, whose prior written consent is required for its use, reproduction or for publication to any third party. All other rights reserved. Subject to modifications.

4 sided SG C.W.

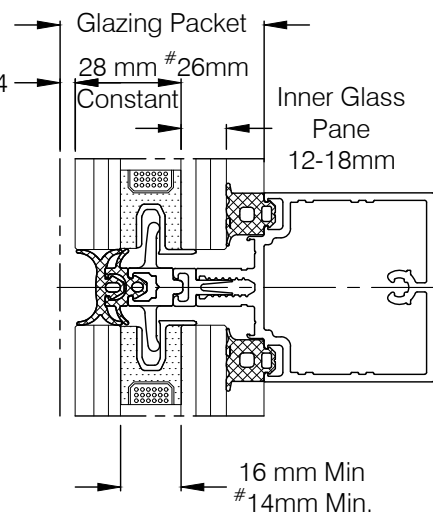
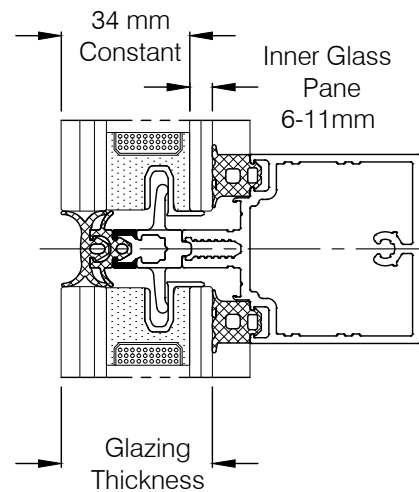


3.18

Copyright and ownership of this drawing is vested in EFT, Euro Facade Systems Ltd, whose prior written consent is required for its use, reproduction or for publication to any third party. All other rights reserved. Subject to modifications.

GLAZING POCKET 54	Inner Glass Pane (mm)							Glazing Thickness (mm)		
	6-7	8-9	10-11	12-13	14-15	16-17	18 [#]	40	42	44
2102 6mm Gasket			X			X	X			X
2104 8mm Gasket		X			X			X		
2106 10mm Gasket	X			X				X		
1404- 40mm Glass Support	X	X	X	X	X	X	X			
2153 6mm- Gasket	X	X	X	X	X	X	X			
3029 23mm Screw	X	X	X	X	X	X	X			
3030 29mm Screw				X	X	X	X			
1390 70mm Length				X	X	X	X			
2200 18mm Thermal Break										
2166 6mm- Gasket										
2403 12mm Double Glazing Clamp										
2170 Joint Gasket										
OR 2182 Joint Gasket										
OR 2175 Joint Gasket										
2020 56mm Drainage Diverter										

OUTER GLASS PANE MAX. 12-13mm



Changes reserved
 Sous reserve de modifications
 Änderungen vorbehalten

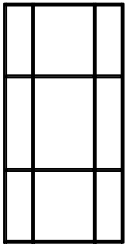
Issue: 05
 Date : 10-16

Glazing charts

3

Comar 6EFT

Capped curtain wall



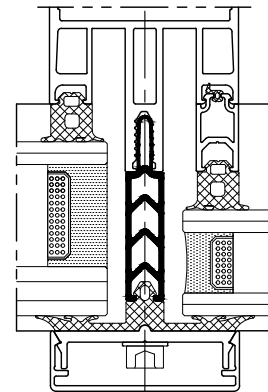
3.19

Fabricators Guide

	GLAZING POCKET 60								Glazing Thickness Reference "X" (mm)							
	40	42	44	46	48	50										
2102 6mm 2101											Y					X
2104 8mm 2103										Y					X	
2106 10mm 2105										Y			X			
2108 12mm 2107				Y				Y				X			Y	
2110 14mm 2109			Y			Y		Y				X			Y	
2112 16mm 2111		Y				Y		Y				X			Y	
2490 6mm 1330	Y	Y	Y										Y	Y	Y	
2490 18mm 1328						Y	Y	Y	Y	Y	Y					
2490 22mm 1329	Y	Y	Y	Y	Y											
Glazing Thickness Reference "Y" (mm)	12	14	16	18	20	22	24	26	28	30	32	34	36	38		
2164- 8mm Pressure Plate Gasket																
2203- 34mm Thermal Break																
1405 - 48mm Glass Support + 2155 - 22mm Gasket																
OR *1400 - 44mm Glass Support + 2155 - 22mm Gasket																
3029-23mm Screw																
3012- 60mm Screw 3091- Washer																
2027- 72mm Drainage Diverter																

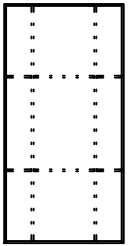
Glazing Thickness Reference "X"

Glazing Thickness Reference "Y"



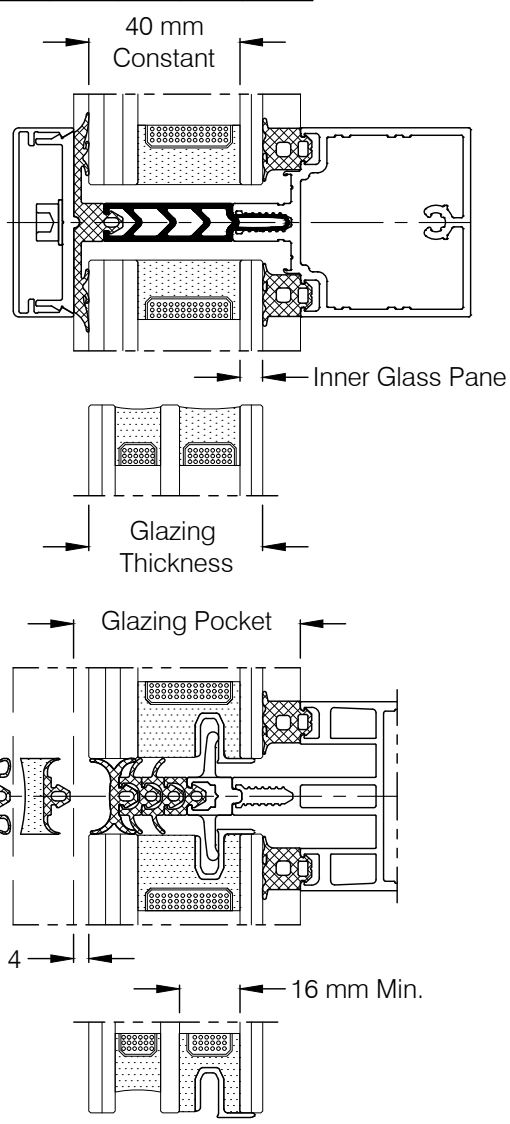
*Note! Use of 1400 Glass Support as option to 1405 only when external glass pane is 8mm or over in thickness.

Copyright and ownership of this drawing is vested in EFT, Euro Facade Systems Ltd, whose prior written consent is required for its use, reproduction or for publication to any third party. All other rights reserved. Subject to modifications.



3.20

GLAZING POCKET 60		Inner Glass Pane (mm)			Glazing Thickness (mm)		
		6-7	8-9	10-11	46	48	50
				X			X
			X			X	
		X			X		
		1405- 48mm Glass Support 2153 6mm Gasket (for SGV) 2155 22mm Gasket (for SGH)					
	3029- 23mm Screw						
	2164- 8mm Pressure Plate Gasket						
	3012+ 3091 60mm Screw + Washer						
	2203 - 34mm Thermal Break						
	2166 6mm Gasket x 2						
	2200- 18mm Thermal Break						
	2170 Joint Gasket						
	2182 Joint Gasket						
	2175 Joint Gasket						
	2403 12mm Glazing Clamp 2153 6mm Gasket						
	2027 72mm Drainage Diverter						



OUTER GLASS PANE MAX. 12-13mm

*Note! Use of 1400 glass support as option to 1405 only when external glass pane is 8mm or over in thickness.

Changes reserved
 Sous reserve de modifications
 Änderungen vorbehalten

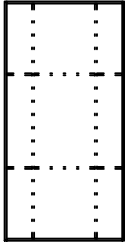
Issue: 05
 Date : 10-16

Glazing charts

3

Comar 6EFT

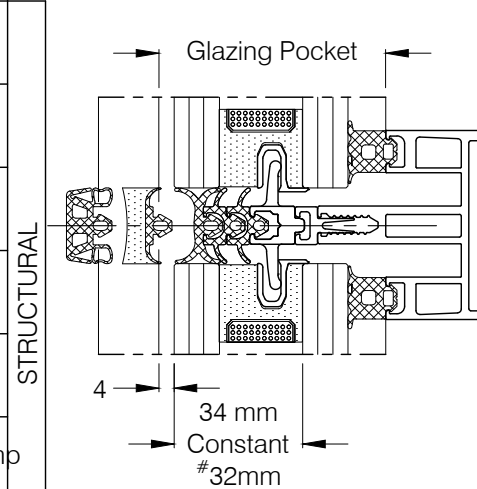
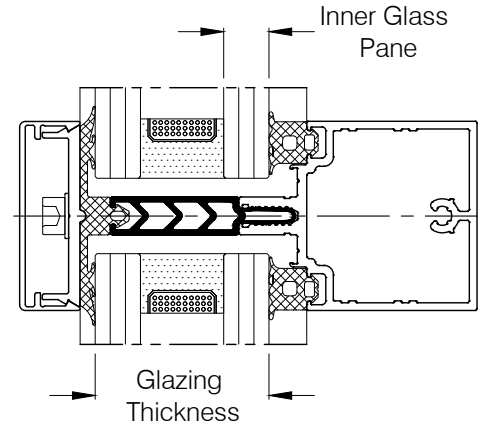
2 sided SGH & SGV c.w.



3.21

GLAZING POCKET 60		Inner Glass Pane (mm)				Glazing Thickness (mm)		
Inner Glass Pane (mm)		12-13	14-15	16-17	18#	46	48	50
2102	6mm 2101			X	X			X
2104	8mm 2103		X				X	
2106	10mm 2105	X				X		

1405- 48mm Glass Support 2153 6mm Gasket (for SGV) 2155 22mm Gasket (for SGH)	OR	1400- 44mm Glass Support 2153 6mm Gasket (for SGV) 2155 22mm Gasket (for SGH)
3029- 23mm Screw		
2164- 8mm Pressure Plate Gasket		
3012+ 3091 60mm Screw + Washer		
2203-34mm Thermal Break		
2166- 6mm Gasket x 2		
2200- 18mm Thermal Break		
2170 Joint Gasket	OR	2182 Joint Gasket
2175 Joint Gasket	OR	2175 Joint Gasket
2403 12mm Double Glazing Clamp		
1390- 70mm Length		
3030 29mm Screw		
2027 72mm Drainage Diverter		



*Note! Use of 1400 glass support as option to 1405 only when external glass pane is 8mm or over in thickness.

Copyright and ownership of this drawing is vested in EFT, Euro Facade Systems Ltd, whose prior written consent is required for its use, reproduction or for publication to any third party. All other rights reserved. Subject to modifications.

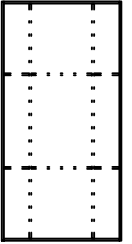
Fabricators Guide



OUTER GLASS PANE MAX. 12-13mm

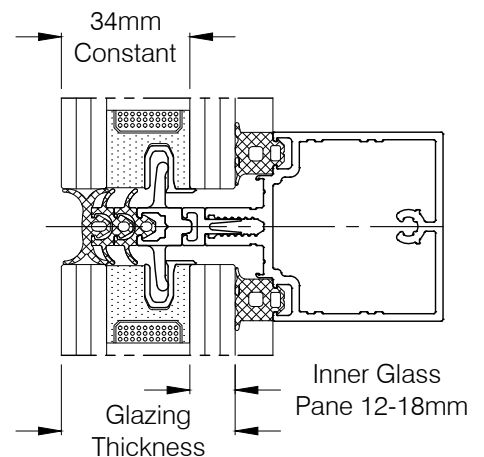
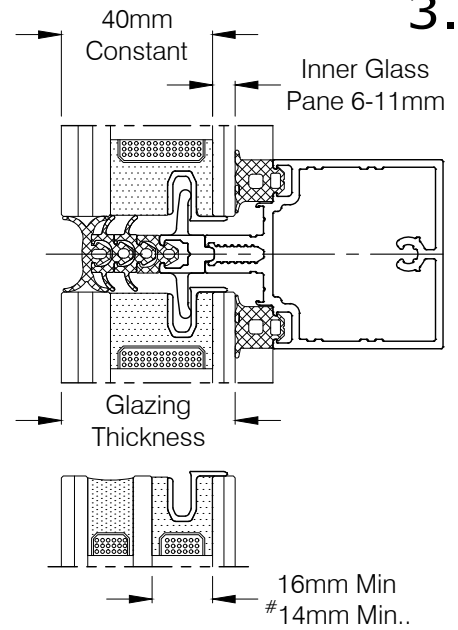
4 side SG C.W.

Comar 6EFT



GLAZING POCKET 60	Inner Glass Pane (mm)							Glazing Thickness (mm)		
	6-7	8-9	10-11	12-13	14-15	16-17	18 [#]	46	48	50
2102 6mm 2101			X			X	X			X
2104 8mm 2103		X			X				X	
2106 10mm 2105	X			X				X		
1405- 48mm Glass Support OR 1400 44mm Glass Support	X	X	X	X	X	X	X			
2153 6mm- Gasket	X	X	X	X	X	X	X			
3029 23mm Screw	X	X	X	X	X	X	X			
2166 6mm- Gasket x 2	X	X	X	X	X	X	X			
2200 18mm Thermal Break	X	X	X	X	X	X	X			
3030 29mm Screw				X	X	X	X			
1390 70mm Length				X	X	X	X			
2403 12mm Double Glazing Clamp										
OR 2170 Joint Gasket										
OR 2182 Joint Gasket										
OR 2175 Joint Gasket										
2026 64mm Drainage Diverter										

3.22



*Note! Use of 1400 glass support as option to 1405 only when external glass pane is 8mm or over in thickness.

OUTER GLASS PANE MAX. 12-13mm

Changes reserved
 Sous reserve de modifications
 Änderungen vorbehalten

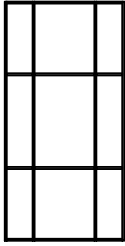
Issue: 05
 Date : 10-16

Glazing charts

3

Comar 6EFT

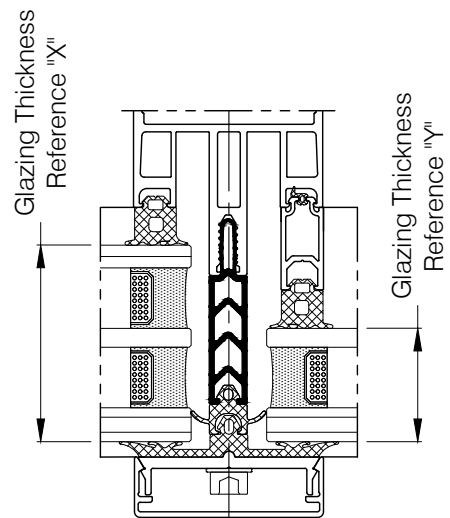
Capped curtain wall



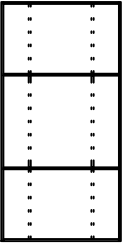
3.23

Fabricators Guide

GLAZING POCKET 66								Glazing Thickness Reference "X" (mm)							
								46	48	50	52	54	56		
2102	6mm 2101									Y			X		
2104	8mm 2103								Y			X			
2106	10mm 2105							Y			X				
2108	12mm 2107			Y			Y			X			Y		
2110	14mm 2109		Y			Y	Y		X			Y			
2112	16mm 2111	Y			Y		Y	X			Y				
2490	6mm 1330	Y	Y	Y							Y	Y	Y		
2490	18mm 1328					Y	Y	Y	Y	Y					
2490	22mm 1329	Y	Y	Y	Y	Y									
Glazing Thickness Reference "Y" (mm)		18	20	22	24	26	28	30	32	34	36	38	40	42	44
	2163- 6mm Pressure Plate Gasket														
	2203- 34mm Thermal Break														
	1406 - 52mm Glass Support + 2155- 22mm Gasket														
	2167 8mm High Preformed Gasket														
	3029-23mm Screw														
	3013- 65mm Screw 3091- Washer														
	2021- 50mm Drainage Diverter + 2032- 35mm Drainage Extension														



Copyright and ownership of this drawing is vested in EFT, Euro Facade Systems Ltd, whose prior written consent is required for its use, reproduction or for publication to any third party. All other rights reserved. Subject to modifications.



3.24

Copyright and ownership of this drawing is vested in EFT, Euro Facade Systems Ltd, whose prior written consent is required for its use, reproduction or for publication to any third party. All other rights reserved. Subject to modifications.

GLAZING POCKET 66		Inner Glass Pane (mm)			Glazing Thickness (mm)		
		6-7	8-9	10-11	52	54	56
	2102 6mm 2101			X			X
	2104 8mm 2103		X			X	
	2106 10mm 2105	X			X		
	1406- 52mm Glass Support						
	2155 22mm Gasket						
	3029- 23mm Screw						
	2163- 6mm Pressure Plate Gasket						
	3013+ 3091 65mm Screw + Washer						
	2167 8mm Gasket						
	2203-34mm Thermal Break						
	2170 Joint Gasket						
OR 	2182 Joint Gasket						
OR 	2175 Joint Gasket						
	2155 22mm Gasket						
	2403 12mm Glazing Clamp						
	2021 50mm Drainage Diverter + 2032 35mm Drainage Extension						

STRUCTURAL

OUTER GLASS PANE MAX. 12-13mm

Changes reserved
 Sous reserve de modifications
 Änderungen vorbehalten

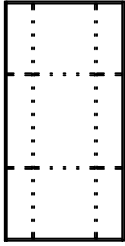
Issue: 05
 Date : 10-16

Glazing charts

3

Comar 6EFT

2 sided SGH & SGV c.w.



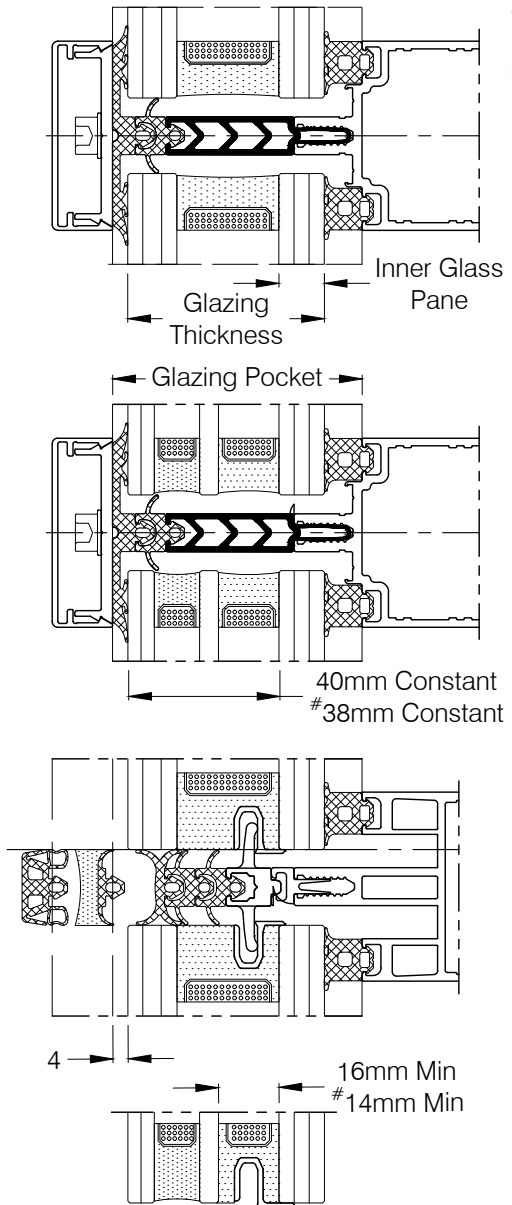
3.25

Fabricators Guide

GLAZING POCKET 66		Inner Glass Pane (mm)				Glazing Thickness (mm)		
		12-13	14-15	16-17	18#	52	54	56
	6mm 2101			X	X			X
	8mm 2103		X			X		
	10mm 2105	X				X		

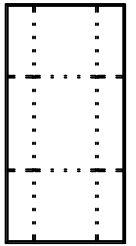
	1406- 52mm Glass Support	STRUCTURAL
	2155 22mm Gasket	
	3029- 23mm Screw	
	2163- 6mm Pressure Plate Gasket	
	3013+ 3091 65mm Screw + Washer	
	2021 50mm Drainage Diverter + 2032 35mm Drainage Extension	
	2203-34mm Thermal Break	
	2167 8mm Gasket	
	2167 8mm Gasket x 2	
	2170 Joint Gasket	
OR	2182 Joint Gasket	
OR	2175 Joint Gasket	
	2403 12mm Glazing Clamp	
	1390- 70mm Length	
	3030 29mm Screw	

OUTER GLASS PANE MAX. 12-13mm



Copyright and ownership of this drawing is vested in EFT, Euro Facade Systems Ltd, whose prior written consent is required for its use, reproduction or for publication to any third party. All other rights reserved. Subject to modifications.

4 sided SG C.W.

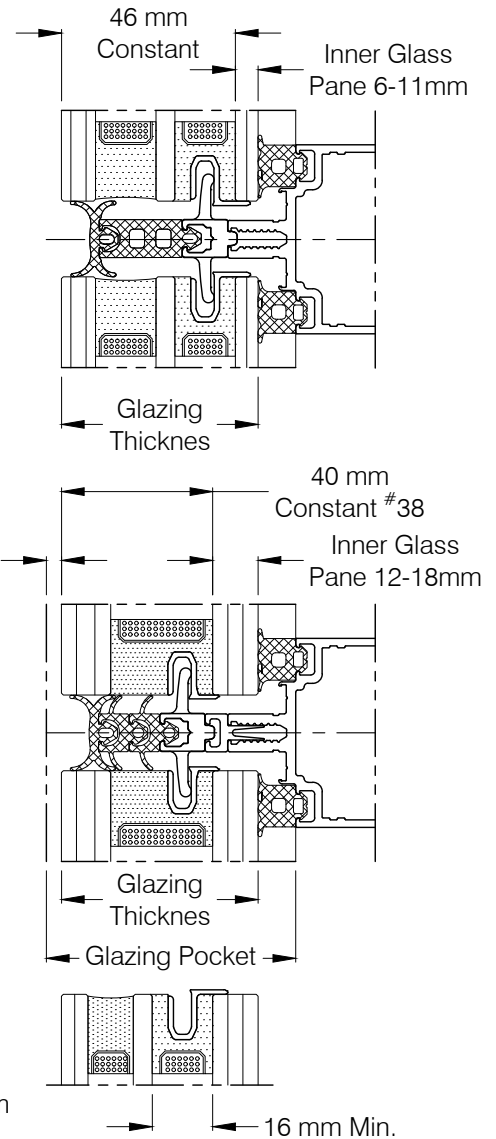


3.26

Copyright and ownership of this drawing is vested in EFT, Euro Facade Systems Ltd, whose prior written consent is required for its use, reproduction or for publication to any third party. All other rights reserved. Subject to modifications.

GLAZING POCKET 66	Inner Glass Pane (mm)							Glazing Thickness (mm)		
	6-7	8-9	10-11	12-13	14-15	16-17	18 [#]	52	54	56
2102 6mm 2101			X			X	X			X
2104 8mm 2103		X			X				X	
2106 10mm 2105	X			X				X		
1406- 52mm Glass Support	X	X	X	X	X	X	X			
2153 6mm- Gasket	X	X	X	X	X	X	X			
3029 23mm Screw	X	X	X	X	X	X	X			
2167 8mm- Gasket x 2				X	X	X	X			
2155 22mm- Gasket	X	X	X							
3030 29mm Screw				X	X	X	X			
1390 70mm Length				X	X	X	X			
2203- 34mm Thermal Break	X	X	X	X	X	X	X			
2403 12mm Double Glazing Clamp										
OR 2170 Joint Gasket										
OR 2182 Joint Gasket										
OR 2175 Joint Gasket										
2027 72mm Drainage Diverter										

OUTER GLASS PANE MAX. 12-13mm

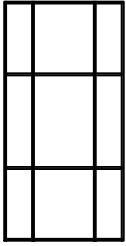


Fabricators Guide

Changes reserved
 Sous reserve de modifications
 Änderungen vorbehalten

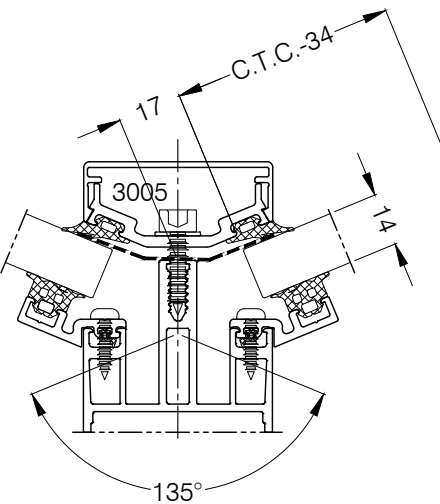
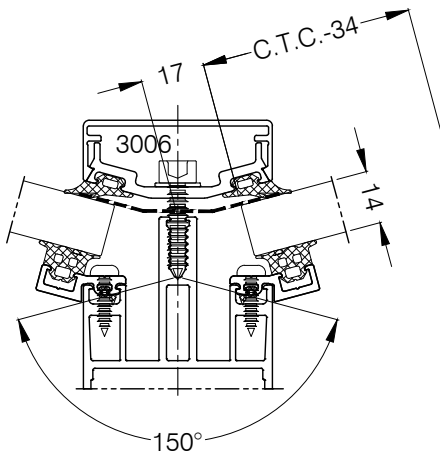
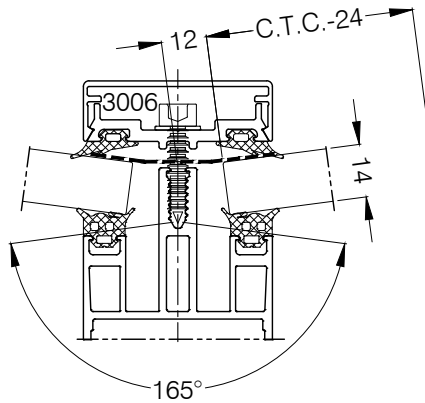
Issue: 05
 Date : 10-16

Comar 6EFT



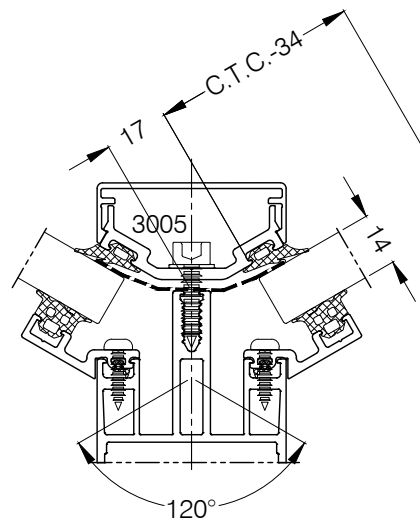
3.27

Fabricators Guide



Capped curtain wall
Internal corner

GLAZING POCKET 24	Glazing Thickness (mm)					
	4	6	8	10	12	14
2102 2101 6mm						X
2104 2103 8mm					X	
2106 2105 10mm				X		
2108 2107 12mm			X			
2110 2109 14mm		X				
2112 2111 16mm	X					
	1336-15° Glazing Adapter + 3021 Screw+2490 Gasket					
	1337-22.5° Glazing Adapter + 3021 Screw+2490 Gasket					
	1338-30° Glazing Adapter + 3021 Screw+2490 Gasket					
	2150+ 6001 Pressure Plate Gasket					
	3005- 22mm Screw 3091- Washer					
	3006- 25mm Screw 3091- Washer					
	As required for ventilation					



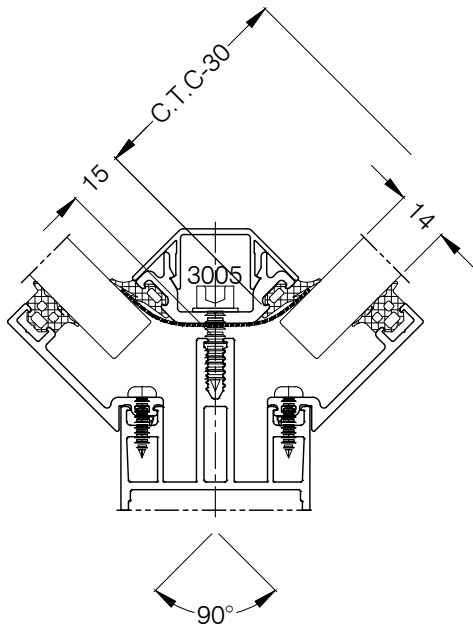
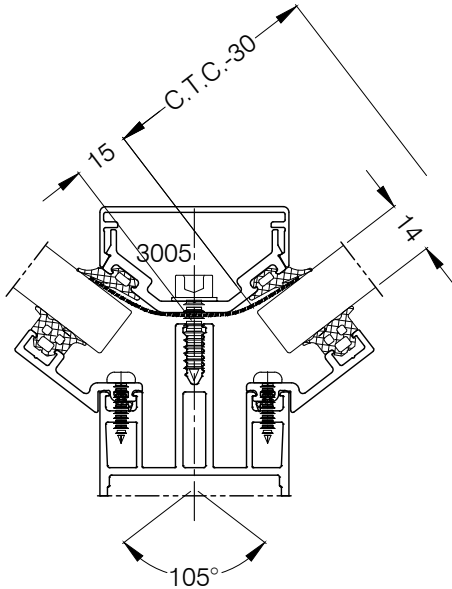
TRANSOM ITEMS SEE GLAZING CHART FOR CAPPED C.W.

Copyright and ownership of this drawing is vested in EFT, Euro Facade Systems Ltd, whose prior written consent is required for its use, reproduction or for publication to any third party. All other rights reserved. Subject to modifications.



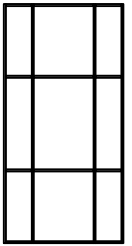
Capped curtain wall
Internal corner

Copyright and ownership of this drawing is vested in EFT, Euro Facade Systems Ltd, whose prior written consent is required for its use, reproduction or for publication to any third party. All other rights reserved. Subject to modifications.



GLAZING POCKET 24	Glazing Thickness (mm)					
	4	6	8	10	12	14
2102 6mm 2101						X
2104 8mm 2103					X	
2106 10mm 2105				X		
2108 12mm 2107			X			
2110 14mm 2109		X				
2112 16mm 2111	X					
1339-37.5° Glazing Adapter + 3021 Screw+2490 Gasket						
1344-45° Glazing Adapter + 3021 Screw+2490 Gasket						
BUTYL 2150+ 6001 or 6002 Pressure Plate Gasket						
3005- 22mm Screw 3091- Washer						
As required for ventilation						

TRANSOM ITEMS SEE GLAZING CHART FOR CAPPED C.W.



3.28

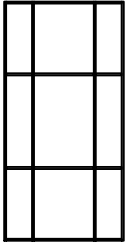
Changes reserved
Sous reserve de modifications
Änderungen vorbehalten

Issue: 05
Date : 10-16

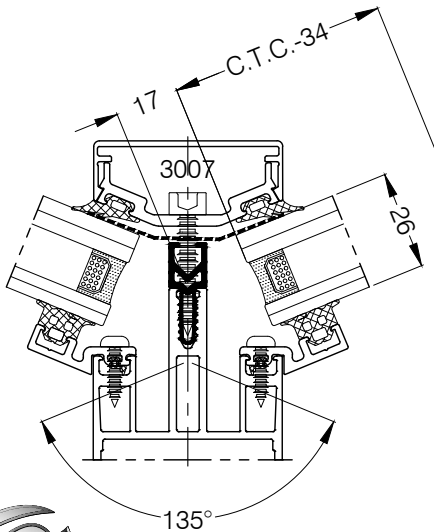
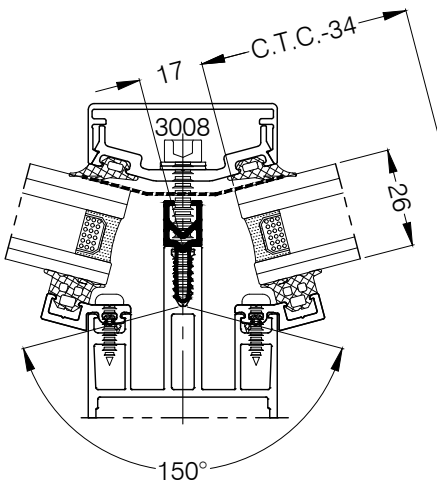
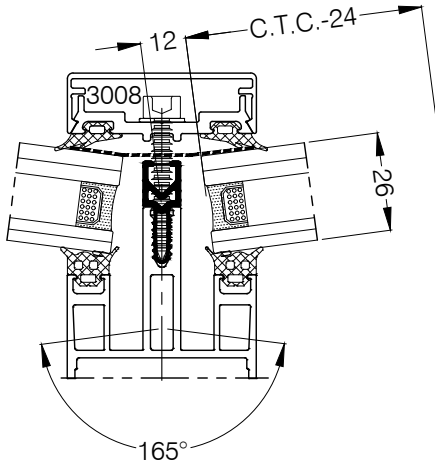
Glazing charts

3

Comar 6EFT

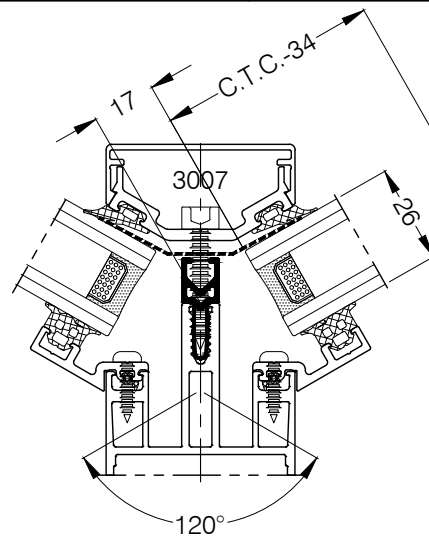


3.29



Capped curtain wall Internal corner

GLAZING POCKET 36	Glazing Thickness (mm)					
	16	18	20	22	24	26
2102 2101 6mm						X
2104 2103 8mm					X	
2106 2105 10mm				X		
2108 2107 12mm			X			
2110 2109 14mm		X				
2112 2111 16mm	X					
BUTYL	2150+ 6001 Pressure Plate Gasket					
	1336-15° Glazing Adapter + 3021 Screw+2490 Gasket					
	1337-22.5° Glazing Adapter + 3021 Screw+2490 Gasket					
	1338-30° Glazing Adapter + 3021 Screw+2490 Gasket					
	2197-12mm Thermal Break					
	3007- 32mm Screw + 3091 Washer when Fit					
	3008- 38mm Screw + 3091 Washer when Fit					
	As required for ventilation					



TRANSOM ITEMS SEE GLAZING CHART FOR CAPPED C.W.

Copyright and ownership of this drawing is vested in EFT, Euro Facade Systems Ltd, whose prior written consent is required for its use, reproduction or for publication to any third party. All other rights reserved. Subject to modifications.

Fabricators Guide



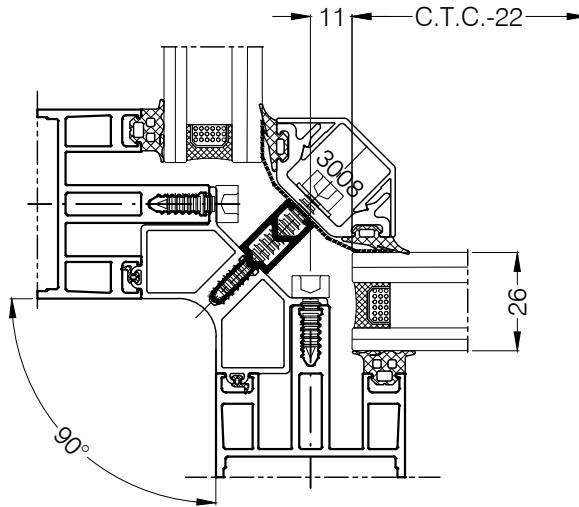
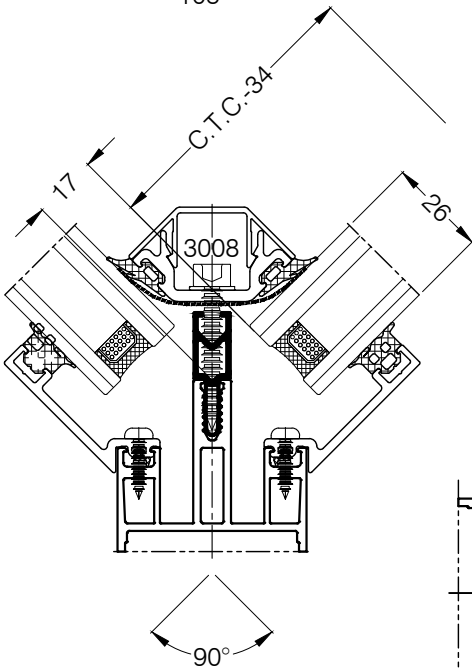
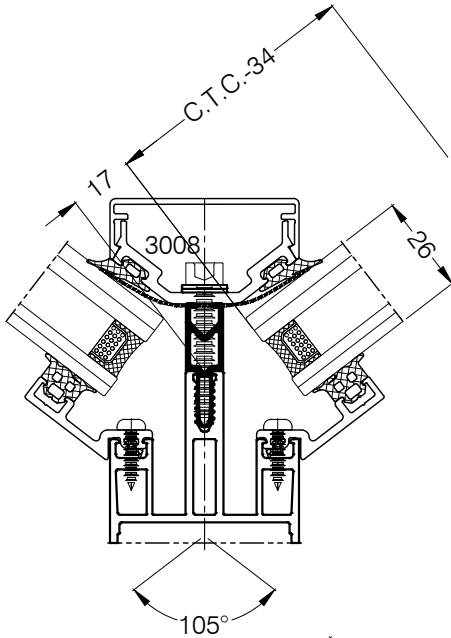
comar
ARCHITECTURAL ALUMINIUM SYSTEMS

Changes reserved
Sous reserve de modifications
Änderungen vorbehalten

Issue: 05
Date : 10-16

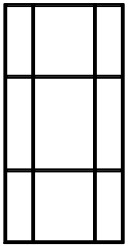
Capped curtain wall
Internal corner

Copyright and ownership of this drawing is vested in EFT, Euro Facade Systems Ltd, whose prior written consent is required for its use, reproduction or for publication to any third party. All other rights reserved. Subject to modifications.



GLAZING POCKET 36	Glazing Thickness (mm)					
	16	18	20	22	24	26
2102 2101 6mm						X
2104 2103 8mm					X	
2106 2105 10mm				X		
2108 2107 12mm			X			
2110 2109 14mm		X				
2112 2111 16mm	X					
BUTYL	2150+ 6001 Pressure Plate Gasket					
	1339-37.5° Glazing Adapter + 3021 Screw+2490 Gasket					
	1344-45° Glazing Adapter +3021 Screw+2490 Gasket					
	2200-18mm Thermal Break					
	3008- 38mm Screw + 3091 Washer when Fit					
	As required for ventilation					

TRANSOM ITEMS SEE GLAZING CHART FOR CAPPED C.W.



3.30

Changes reserved
Sous reserve de modifications
Änderungen vorbehalten

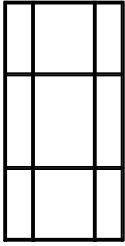
Issue: 05
Date : 10-16

Glazing charts

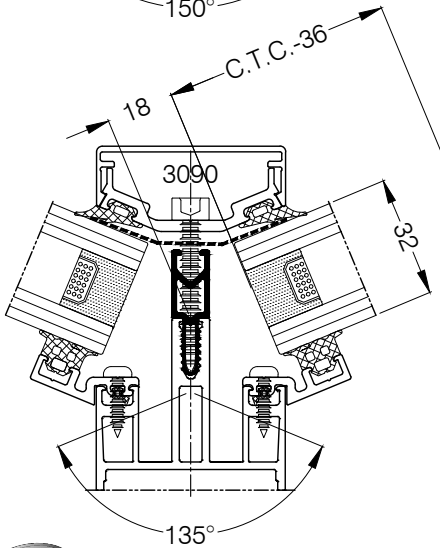
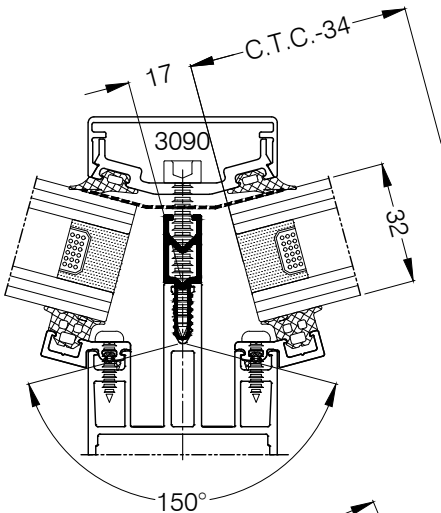
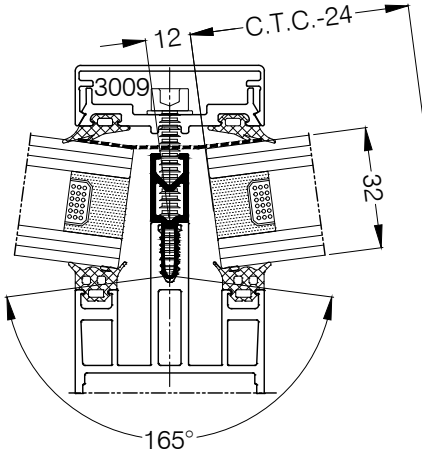
3

Comar 6EFT

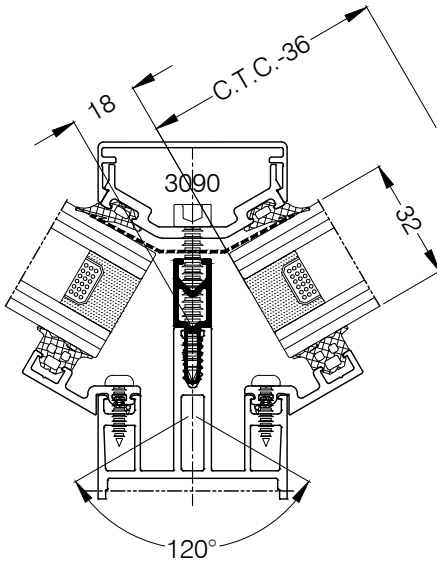
Capped curtain wall Internal corner



3.31



GLAZING POCKET 42	Glazing Thickness (mm)					
	22	24	26	28	30	32
2102 2101 6mm						X
2104 2103 8mm					X	
2106 2105 10mm				X		
2108 2107 12mm			X			
2110 2109 14mm		X				
2112 2111 16mm	X					
BUTYL	2150+ 6001 Pressure Plate Gasket					
1336-15° Glazing Adapter	+ 3021 Screw+2490 Gasket					
1337-22.5° Glazing Adapter	+ 3021 Screw+2490 Gasket					
1338-30° Glazing Adapter	+ 3021 Screw+2490 Gasket					
2200-18mm Thermal Break						
3090- 42mm Screw + 3091 Washer when Fit						
3009- 45mm Screw + 3091 Washer when Fit						
As required for ventilation						



TRANSOM ITEMS SEE GLAZING CHART FOR CAPPED C.W.

Copyright and ownership of this drawing is vested in EFT, Euro Facade Systems Ltd, whose prior written consent is required for its use, reproduction or for publication to any third party. All other rights reserved. Subject to modifications.

Fabricaors Guide

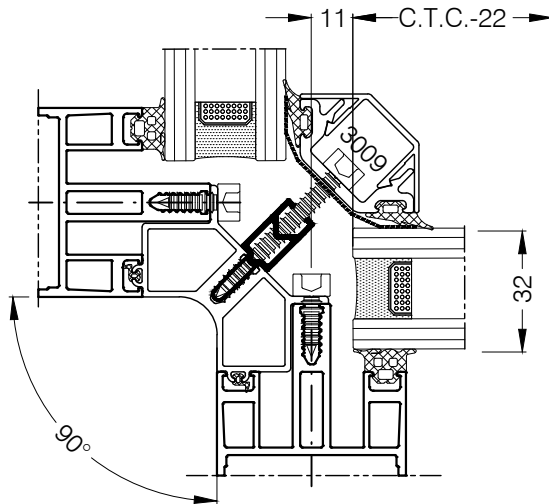
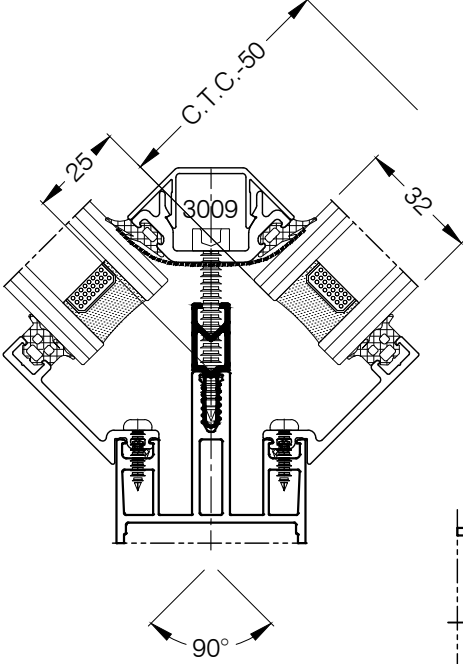
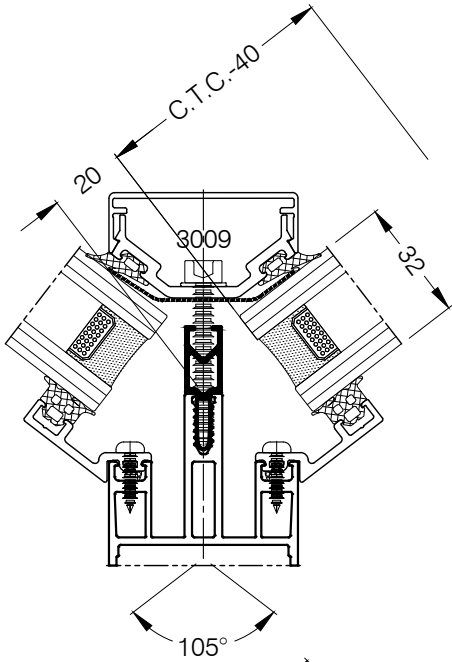


Changes reserved
Sous reserve de modifications
Änderungen vorbehalten

Issue: 05
Date : 10-16

Copyright and ownership of this drawing is vested in EFT, Euro Facade Systems Ltd, whose prior written consent is required for its use, reproduction or for publication to any third party. All other rights reserved. Subject to modifications.

Capped curtain wall Internal corner



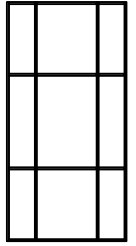
3

GLAZING CHART

Comar 6EFT

GLAZING POCKET 42	Glazing Thickness (mm)					
	22	24	26	28	30	32
2102 2101 6mm						X
2104 2103 8mm					X	
2106 2105 10mm				X		
2108 2107 12mm			X			
2110 2109 14mm		X				
2112 2111 16mm	X					
BUTYL	2150+ 6001 Pressure Plate Gasket					
1339-37.5° Glazing Adapter + 3021 Screw+2490 Gasket	1339-37.5° Glazing Adapter + 3021 Screw+2490 Gasket					
1344-45° Glazing Adapter +3021 Screw+2490 Gasket	1344-45° Glazing Adapter +3021 Screw+2490 Gasket					
2200-18mm Thermal Break	2200-18mm Thermal Break					
3009- 45mm Screw + 3091 Washer when Fit	3009- 45mm Screw + 3091 Washer when Fit					
As required for drainage	As required for drainage					

TRANSOM ITEMS SEE GLAZING CHART FOR CAPPED C.W.



3.32

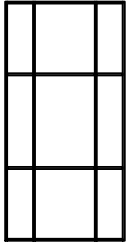
Fabricators Guide

Changes reserved
Sous reserve de modifications
Änderungen vorbehalten

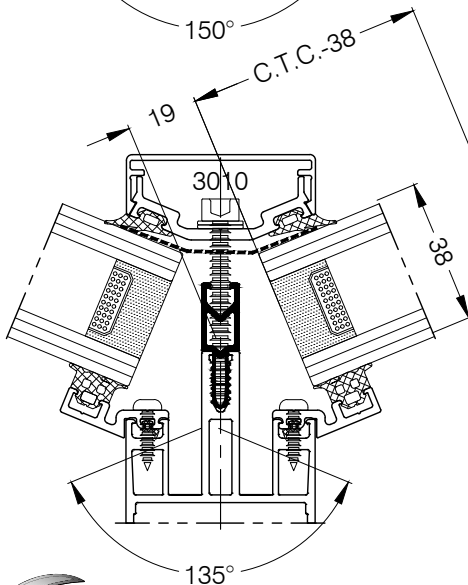
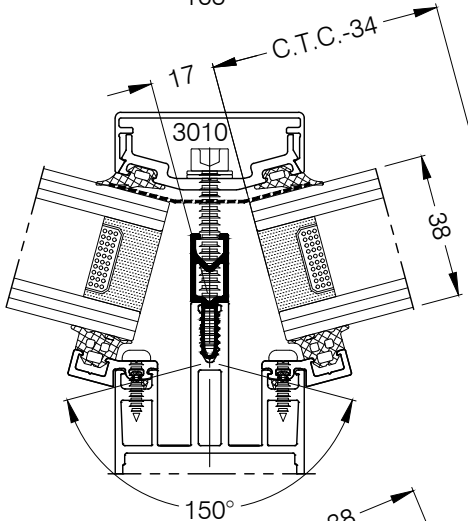
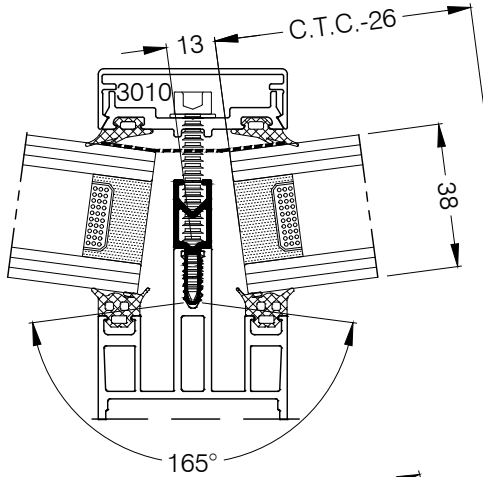
Issue: 05
Date : 10-16

Comar 6EFT

Capped curtain wall
Internal corner



3.33

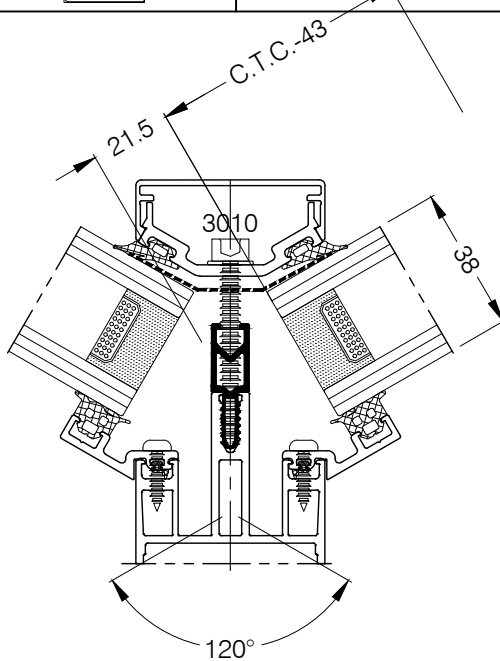


GLAZING POCKET 48	Glazing Thickness (mm)					
	28	30	32	34	36	38
2102 2101						X
2104 2103					X	
2106 2105				X		
2108 2107			X			
2110 2109		X				
2112 2111	X					
BUTYL	2150+ 6001 Pressure Plate Gasket					
1336-15° Glazing Adapter + 3021 Screw+2490 Gasket	1336-15° Glazing Adapter + 3021 Screw+2490 Gasket					
1337-22.5° Glazing Adapter + 3021 Screw+2490 Gasket	1337-22.5° Glazing Adapter + 3021 Screw+2490 Gasket					
1338-30° Glazing Adapter + 3021 Screw+2490 Gasket	1338-30° Glazing Adapter + 3021 Screw+2490 Gasket					
2200-18mm Thermal Break	2200-18mm Thermal Break					
3010- 50mm Screw + 3091 Washer when Fit	3010- 50mm Screw + 3091 Washer when Fit					
As required for ventilation	As required for ventilation					

TRANSOM ITEMS SEE GLAZING CHART FOR CAPPED C.W.

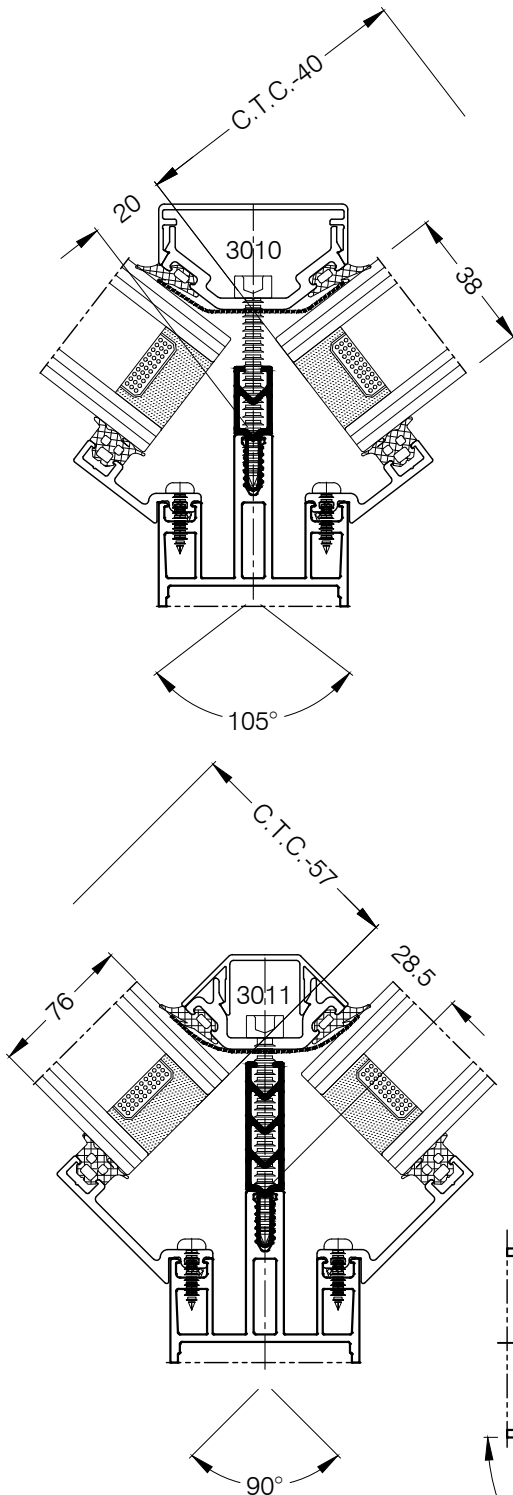
Copyright and ownership of this drawing is vested in EFT, Euro Facade Systems Ltd, whose prior written consent is required for its use, reproduction or for publication to any third party. All other rights reserved. Subject to modifications.

Fabricators Guide



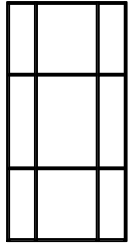
Capped curtain wall
Internal Corner

Copyright and ownership of this drawing is vested in EFT, Euro Facade Systems Ltd, whose prior written consent is required for its use, reproduction or for publication to any third party. All other rights reserved. Subject to modifications.



GLAZING POCKET 48	Glazing Thickness (mm)					
	28	30	32	34	36	38
2102 6mm 2101						X
2104 8mm 2103					X	
2106 10mm 2105				X		
2108 12mm 2107			X			
2110 14mm 2109		X				
2112 16mm 2111	X					
BUTYL	2150+ 6001 Pressure Plate Gasket					
	1339-37.5° Glazing Adapter + 3021 Screw+2490 Gasket					
	1344-45° Glazing Adapter +3021 Screw+2490 Gasket					
	2200-18mm Thermal Break					
	2203-34mm Thermal Break					
	3010- 50mm Screw + 3091 Washer when Fit					
	3011- 55mm Screw + 3091 Washer when Fit					
	As required for ventilation					

TRANSOM ITEMS SEE GLAZING CHART FOR CAPPED C.W.



3.34

Changes reserved
Sous reserve de modifications
Änderungen vorbehalten

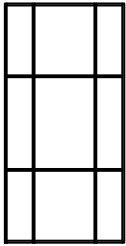
Issue: 05
Date : 10-16



Glazing charts

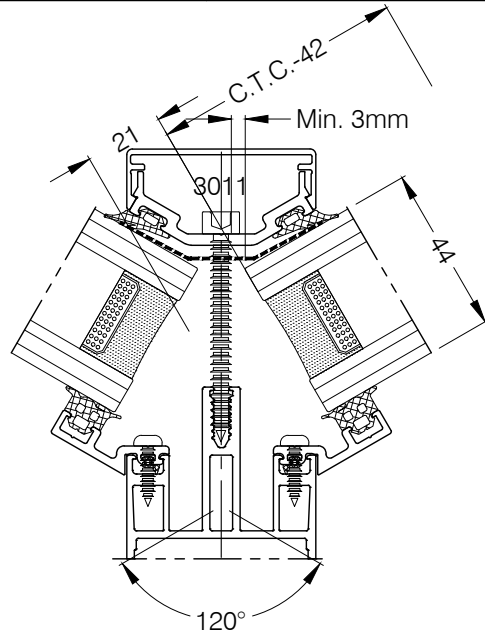
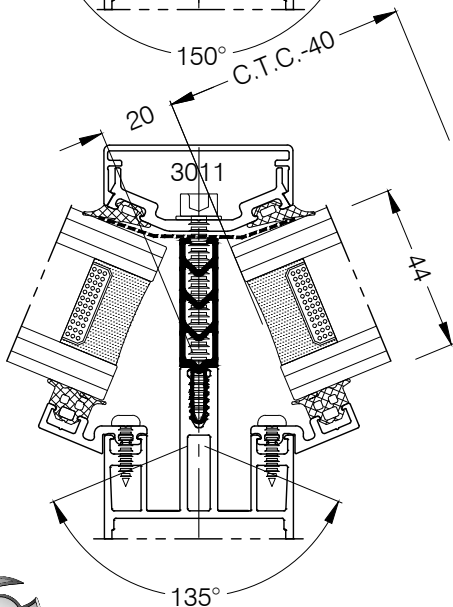
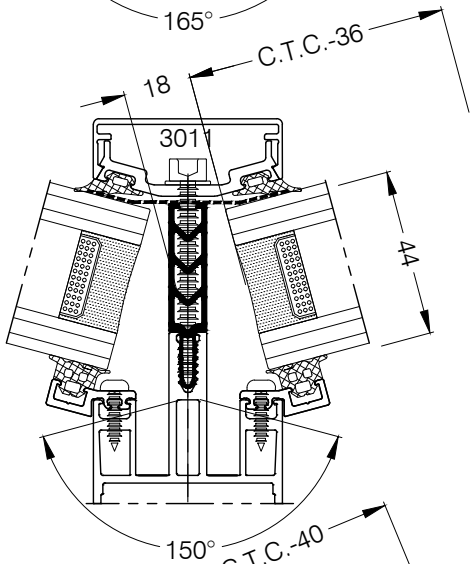
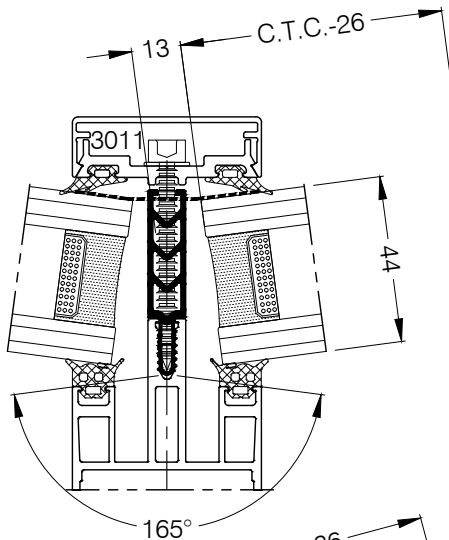
Comar 6EFT

Capped curtain wall Internal corner



3.35

Fabricators Guide



GLAZING POCKET 54	Glazing Thickness (mm)					
	34	36	38	40	42	44
2102 6mm						X
2104 8mm					X	
2106 10mm				X		
2108 12mm			X			
2110 14mm		X				
2112 16mm	X					
BUTYL	2150+ 6001 Pressure Plate Gasket					
1336-15° Glazing Adapter	+ 3021 Screw+2490 Gasket					
1337-22.5° Glazing Adapter	+ 3021 Screw+2490 Gasket					
1338-30° Glazing Adapter	+ 3021 Screw+2490 Gasket					
2203-34mm Thermal Break						
3011- 55mm Screw + 3091 Washer when Fit						
As required for ventilation						

TRANSOM ITEMS SEE GLAZING CHART FOR CAPPED C.W.

Copyright and ownership of this drawing is vested in EFT, Euro Facade Systems Ltd, whose prior written consent is required for its use, reproduction or for publication to any third party. All other rights reserved. Subject to modifications.



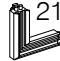

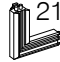

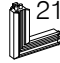


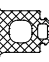





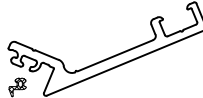

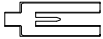
Copyright and ownership of this drawing is vested in EFT, Euro Facade Systems Ltd, whose prior written consent is required for its use, reproduction or for publication to any third party. All other rights reserved. Subject to modifications.

Capped curtain wall Internal corner

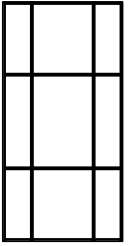
3

Glazing charts

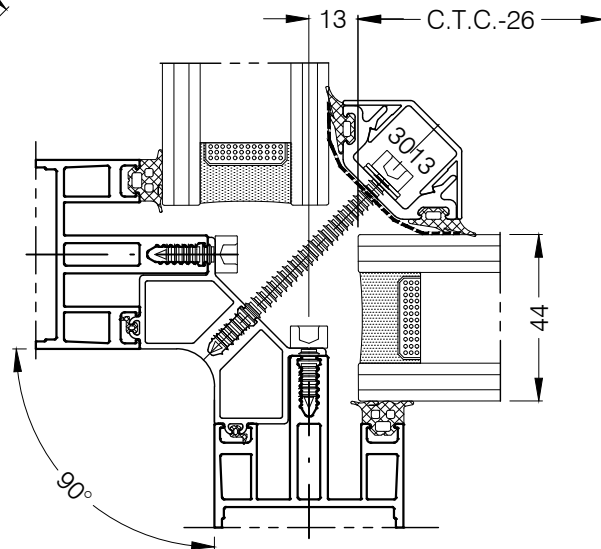
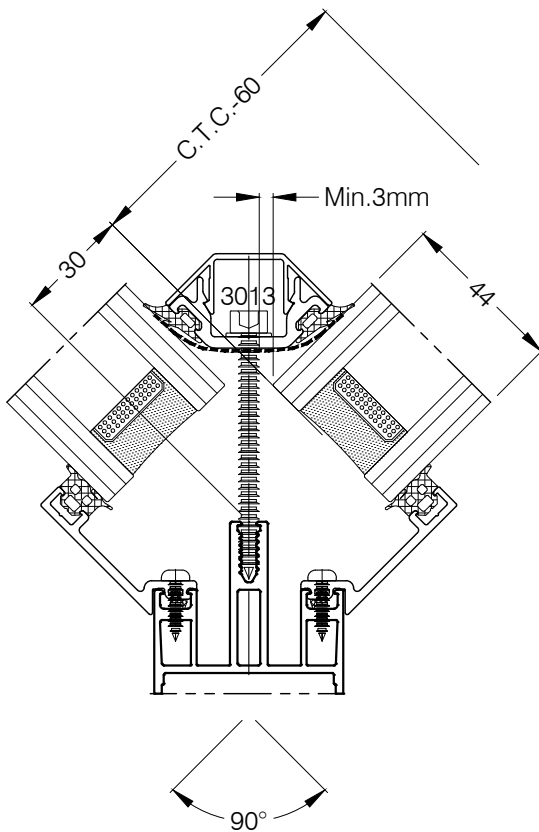
Comar 6EFT

GLAZING POCKET 54	Glazing Thickness (mm)					
	34	36	38	40	42	44
 2102  6mm 2101						X
 2104  8mm 2103					X	
 2106  10mm 2105				X		
 2108  12mm 2107			X			
 2110  14mm 2109		X				
 2112  16mm 2111	X					
 BUTYL	2150+ 6001 Pressure Plate Gasket					
	1344-45° Glazing Adapter +3021 Screw+2490 Gasket					
	3013- 65mm Screw + 3091 Washer when Fit					
	As required for ventilation					

TRANSOM ITEMS SEE GLAZING CHART FOR CAPPED C.W.



3.36



Fabricators Guide

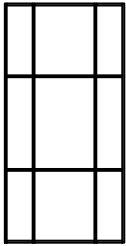
Changes reserved
Sous reserve de modifications
Änderungen vorbehalten

Issue: 05
Date : 10-16

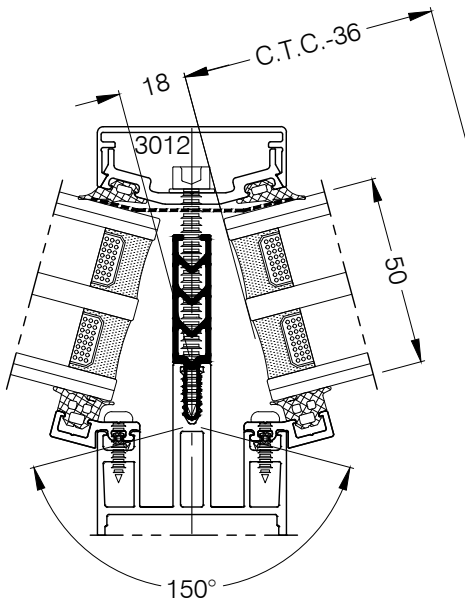
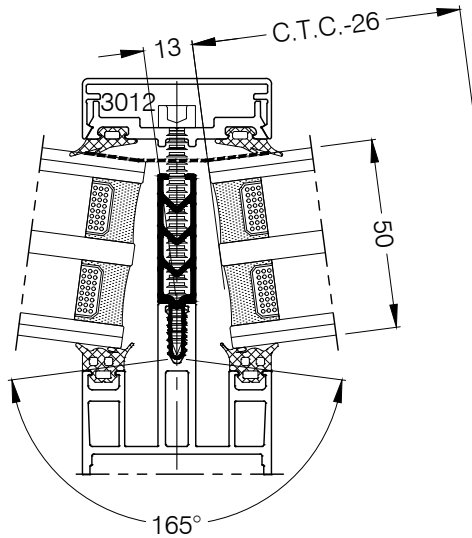
Glazing charts

Comar 6EFT

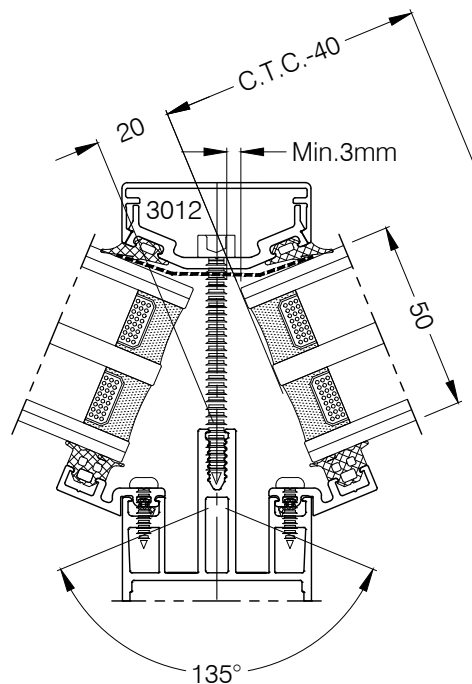
Capped curtain wall Internal corner



3.37



GLAZING POCKET 60	Glazing Thickness (mm)					
	40	42	44	46	48	50
2102 2101						X
2104 2103					X	
2106 2105				X		
2108 2107			X			
2110 2109		X				
2112 2111	X					
BUTYL	2150+ 6001 Pressure Plate Gasket					
1336-15° Glazing Adapter + 3021 Screw+2490 Gasket	1336-15° Glazing Adapter + 3021 Screw+2490 Gasket					
1337-22.5° Glazing Adapter + 3021 Screw+2490 Gasket	1337-22.5° Glazing Adapter + 3021 Screw+2490 Gasket					
2203-34mm Thermal Break	2203-34mm Thermal Break					
3012- 60mm Screw + 3091 Washer when Fit	3012- 60mm Screw + 3091 Washer when Fit					
As required for ventilation	As required for ventilation					



TRANSOM ITEMS SEE GLAZING CHART FOR CAPPED C.W.
 Copyright and ownership of this drawing is vested in EFT,
 Euro Facade Systems Ltd, whose prior written consent is required
 for its use, reproduction or for publication to any third party.
 All other rights reserved. Subject to modifications.

Fabricators Guide





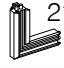
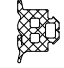
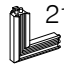

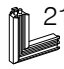
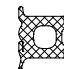
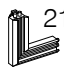

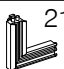
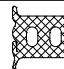





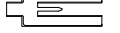
Copyright and ownership of this drawing is vested in EFT, Euro Facade Systems Ltd, whose prior written consent is required for its use, reproduction or for publication to any third party. All other rights reserved. Subject to modifications.

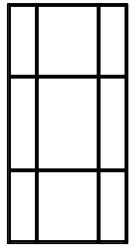
Capped curtain wall Internal corner

3

Glazing charts

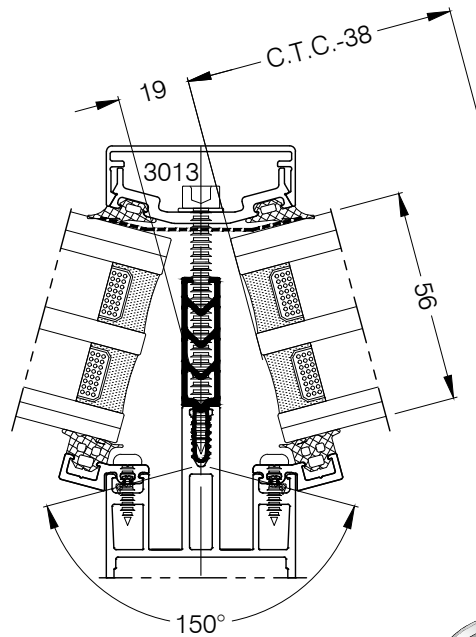
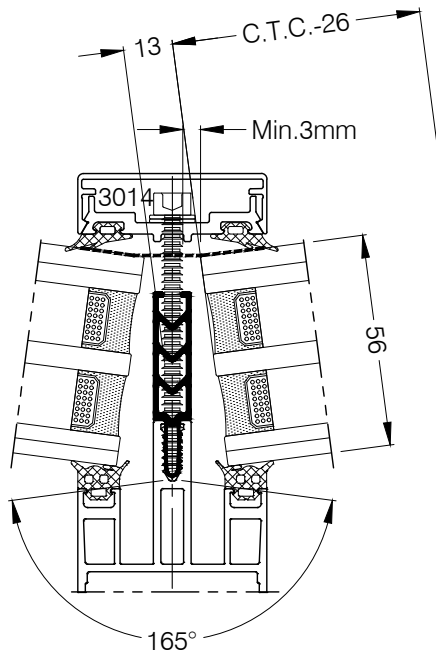
Comar 6EFT

GLAZING POCKET 60	Glazing Thickness (mm)					
	46	48	50	52	54	56
 2102  6mm 2101						X
 2104  8mm 2103					X	
 2106  10mm 2105				X		
 2108  12mm 2107			X			
 2110  14mm 2109		X				
 2112  16mm 2111	X					
 BUTYL	2150+ 6001 Pressure Plate Gasket					
	1336-15° Glazing Adapter + 3021 Screw+2490 Gasket					
	2203-34mm Thermal Break					
	3013- 65mm Screw + 3091 Washer when Fit					
	3014- 70mm Screw + 3091 Washer when Fit					
	As required for ventilation					



3.38

TRANSOM ITEMS SEE GLAZING CHART FOR CAPPED C.W.



Fabricators Guide

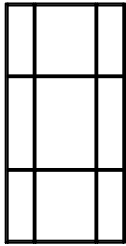
Changes reserved
Sous reserve de modifications
Änderungen vorbehalten

Issue: 05
Date : 10-16

Glazing charts

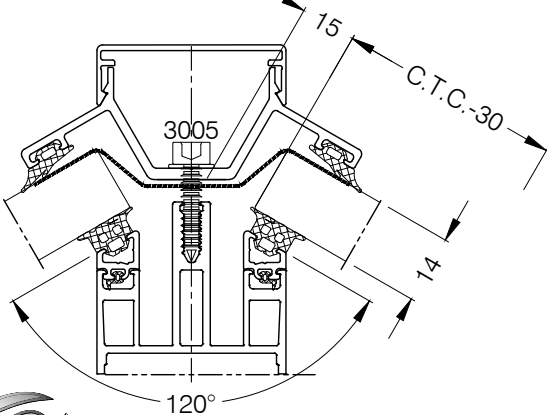
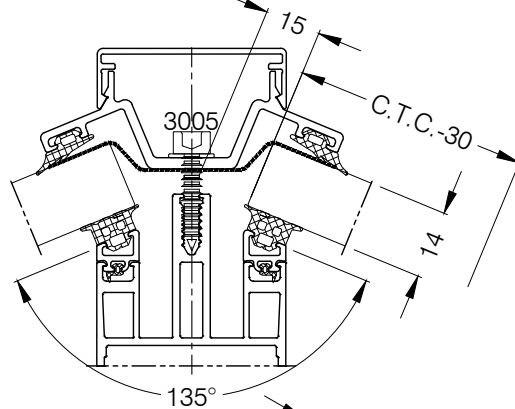
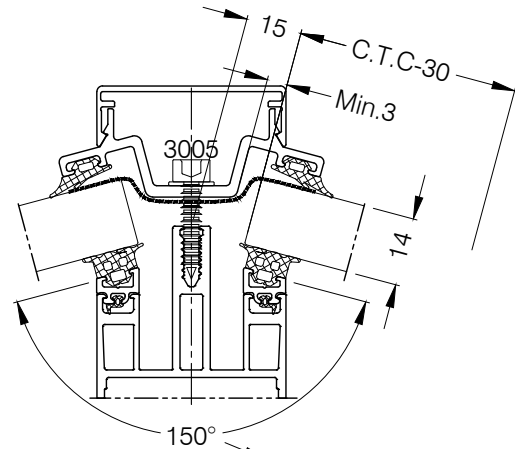
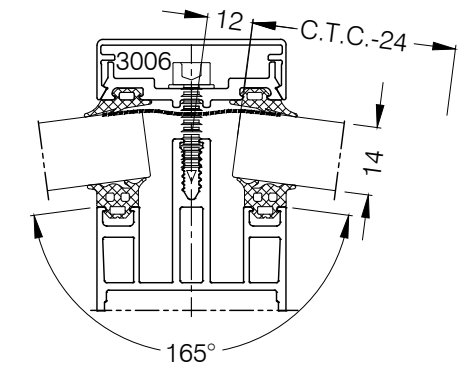
Comar 6EFT

Capped curtain wall Externall corner



3.39

Fabricators Guide



GLAZING POCKET 24	Glazing Thickness (mm)					
	4	6	8	10	12	14
2102 6mm 2101						X
2104 8mm 2103					X	
2106 10mm 2105				X		
2108 12mm 2107			X			
2110 14mm 2109		X				
2112 16mm 2111	X					
1331-15° Glazing Adapter+2490 Gasket						
1332-22.5° Glazing Adapter+2490 Gasket						
1333-30° Glazing Adapter+2490 Gasket						
1334-37.5° Glazing Adapter+2490 Gasket						
BUTYL 2150+ 6001or 6002 Pressure Plate Gasket						
3005- 22mm Screw + 3091 Washer when Fit						
3006- 25mm Screw + 3091 Washer when Fit						
As required for ventilation						

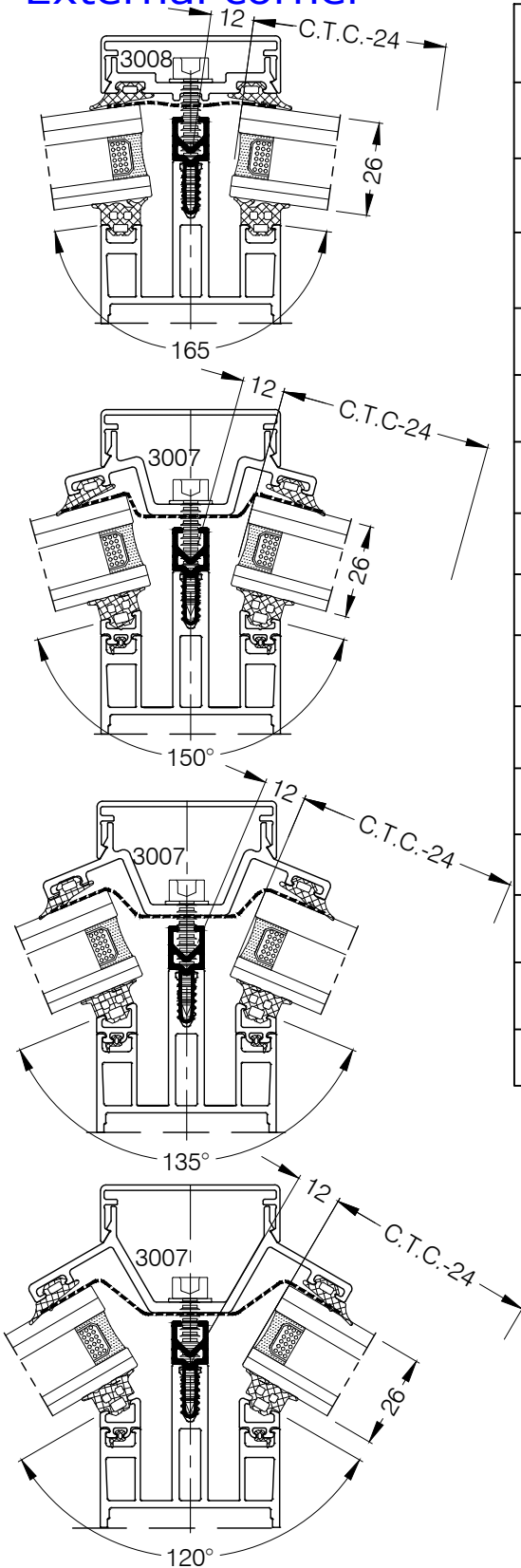
TRANSOM ITEMS SEE GLAZING CHART FOR CAPPED C.W.

Copyright and ownership of this drawing is vested in EFT, Euro Facade Systems Ltd, whose prior written consent is required for its use, reproduction or for publication to any third party. All other rights reserved. Subject to modifications.

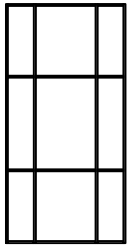


Capped curtain wall
External corner

Copyright and ownership of this drawing is vested in EFT, Euro Facade Systems Ltd, whose prior written consent is required for its use, reproduction or for publication to any third party. All other rights reserved. Subject to modifications.



GLAZING POCKET 36	Glazing Thickness (mm)					
	16	18	20	22	24	26
2102 6mm 2101						X
2104 8mm 2103					X	
2106 10mm 2105				X		
2108 12mm 2107			X			
2110 14mm 2109		X				
2112 16mm 2111	X					
BUTYL	2150+ 6001 or 6002 Pressure Plate Gasket					
	1331-15° Glazing Adapter+2490 Gasket					
	1332-22.5° Glazing Adapter+2490 Gasket					
	1333-30° Glazing Adapter+2490 Gasket					
	1334-37.5° Glazing Adapter+2490 Gasket					
	2197-12mm Thermal Break					
	3007- 32mm Screw + 3091 Washer when Fit					
	3008- 38mm Screw + 3091 Washer when Fit					
	As required for ventilation					



3.40

TRANSOM ITEMS SEE GLAZING CHART FOR CAPPED C.W.

Changes reserved
Sous reserve de modifications
Änderungen vorbehalten

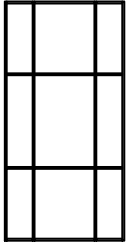
Issue: 05
Date : 10-16

Glazing charts

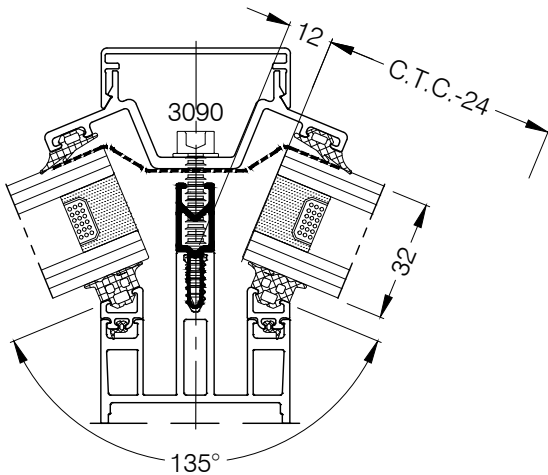
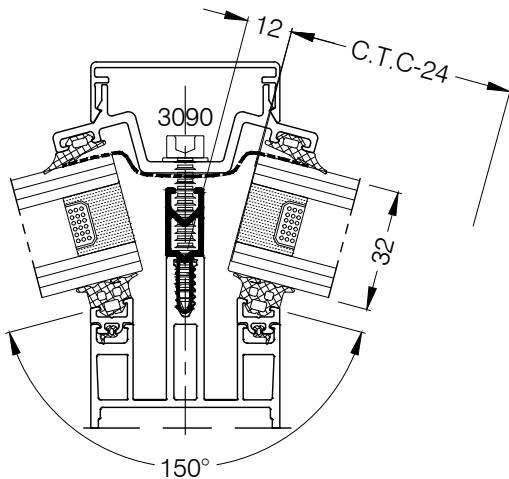
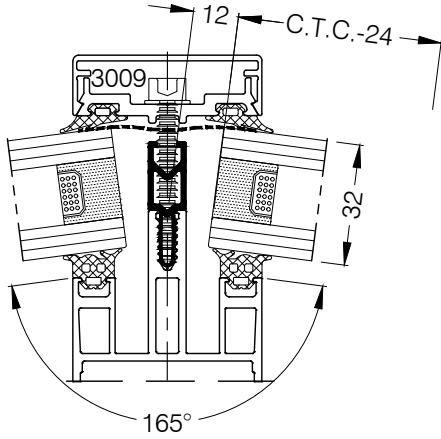
3

Comar 6EFT

Capped curtain wall External corner



3.41



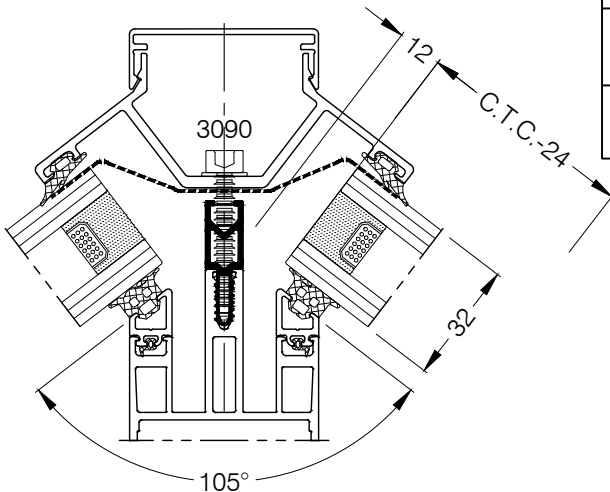
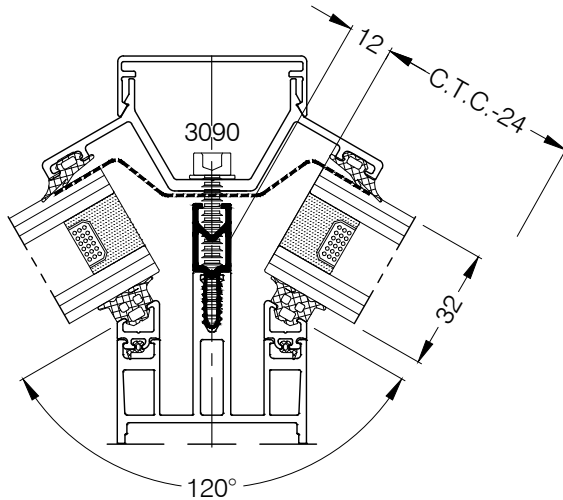
GLAZING POCKET 42	Glazing Thickness (mm)					
	22	24	26	28	30	32
2102 2101 6mm						X
2104 2103 8mm					X	
2106 2105 10mm				X		
2108 2107 12mm			X			
2110 2109 14mm		X				
2112 2111 16mm	X					
BUTYL	2150 + 6001 or 6002 Pressure Plate Gasket					
1331-15° Glazing Adapter + 2490 Gasket	1331-15° Glazing Adapter + 2490 Gasket					
1332-22.5° Glazing Adapter + 2490 Gasket	1332-22.5° Glazing Adapter + 2490 Gasket					
2200-18mm Thermal Break	2200-18mm Thermal Break					
3090- 42mm Screw + 3091 Washer when Fit	3090- 42mm Screw + 3091 Washer when Fit					
3009- 45mm Screw + 3091 Washer when Fit	3009- 45mm Screw + 3091 Washer when Fit					
	As required for ventilation					

TRANSOM ITEMS SEE GLAZING CHART FOR CAPPED C.W.
 Copyright and ownership of this drawing is vested in EFT, Euro Facade Systems Ltd, whose prior written consent is required for its use, reproduction or for publication to any third party. All other rights reserved. Subject to modifications.

Fabricators Guide

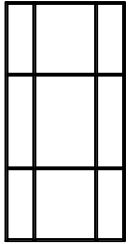
Capped curtain wall
External corner

Copyright and ownership of this drawing is vested in EFT, Euro Facade Systems Ltd, whose prior written consent is required for its use, reproduction or for publication to any third party. All other rights reserved. Subject to modifications.



GLAZING POCKET 42	Glazing Thickness (mm)					
	22	24	26	28	30	32
2102 6mm 2101						X
2104 8mm 2103					X	
2106 10mm 2105				X		
2108 12mm 2107			X			
2110 14mm 2109		X				
2112 16mm 2111	X					
BUTYL	2150 + 6002 Pressure Plate Gasket					
	1333-30° Glazing Adapter+2490 Gasket					
	1334-37.5° Glazing Adapter+2490 Gasket					
	2200-18mm Thermal Break					
	3090- 42mm Screw + 3091 Washer when Fit					
	As required for ventilation					

TRANSOM ITEMS SEE GLAZING CHART FOR CAPPED C.W.



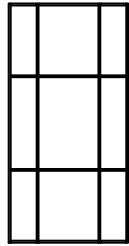
3.42

Changes reserved
Sous reserve de modifications
Änderungen vorbehalten

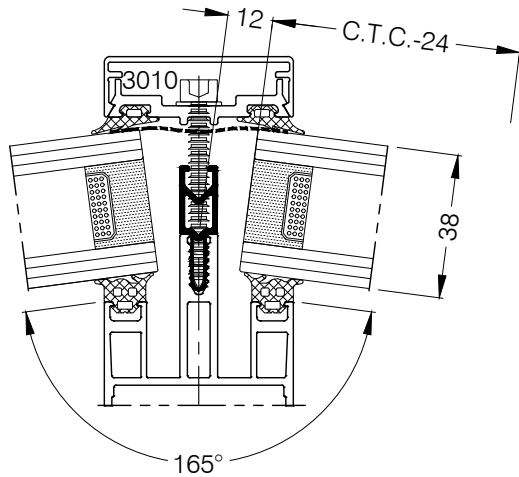
Issue: 05
Date : 10-16

Glazing charts

Comar 6EFT



3.43

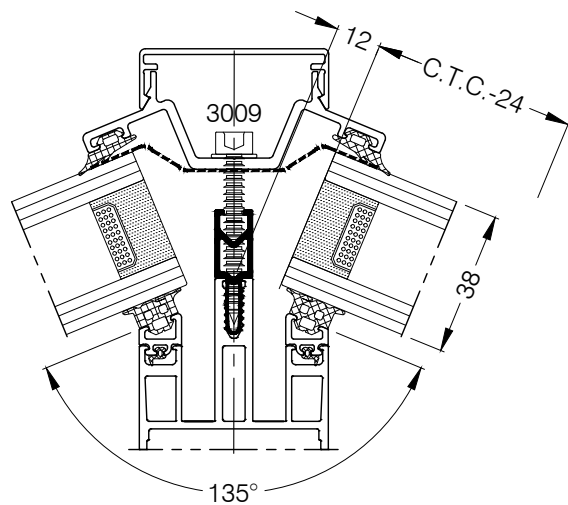
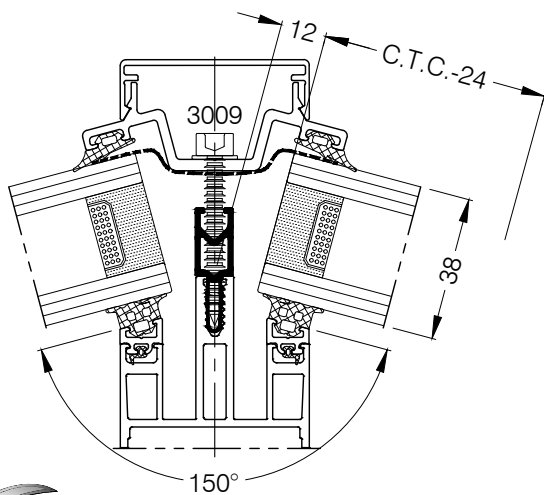


Capped curtain wall
External corner

GLAZING POCKET 48	Glazing Thickness (mm)					
	28	30	32	34	36	38
2102 6mm 2101						X
2104 8mm 2103					X	
2106 10mm 2105				X		
2108 12mm 2107			X			
2110 14mm 2109		X				
2112 16mm 2111	X					
BUTYL	2150 + 6001 or 6002 Pressure Plate Gasket					
	1331-15° Glazing Adapter+2490 Gasket					
	1332-22.5° Glazing Adapter+2490 Gasket					
	2200-18mm Thermal Break					
	3009- 45mm Screw + 3091 Washer when Fit					
	3010- 50mm Screw + 3091 Washer when Fit					
	As required for ventilation					

TRANSOM ITEMS SEE GLAZING CHART FOR CAPPED C.W.

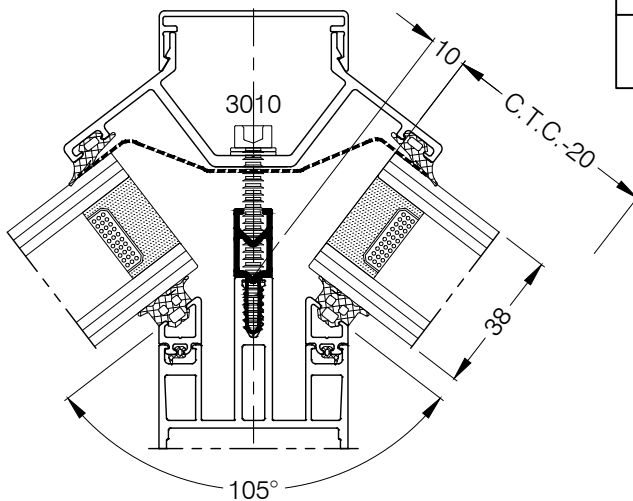
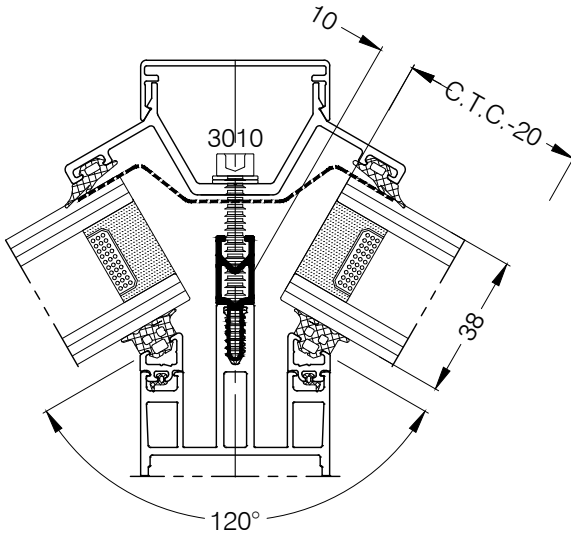
Copyright and ownership of this drawing is vested in EFT, Euro Facade Systems Ltd, whose prior written consent is required for its use, reproduction or for publication to any third party. All other rights reserved. Subject to modifications.



Changes reserved
Sous reserve de modifications
Änderungen vorbehalten

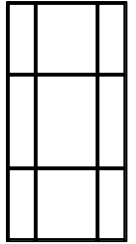
Capped curtain wall
External corner

Copyright and ownership of this drawing is vested in EFT, Euro Facade Systems Ltd, whose prior written consent is required for its use, reproduction or for publication to any third party. All other rights reserved. Subject to modifications.



GLAZING POCKET 48	Glazing Thickness (mm)					
	28	30	32	34	36	38
2102 2101 6mm						X
2104 2103 8mm					X	
2106 2105 10mm				X		
2108 2107 12mm			X			
2110 2109 14mm		X				
2112 2111 16mm	X					
BUTYL	2150 + 6002 Pressure Plate Gasket					
1333-30° Glazing Adapter	+2490 Gasket					
1334-37.5° Glazing Adapter	+2490 Gasket					
2200-18mm Thermal Break						
3010- 50mm Screw + 3091 Washer when Fit						
As required for ventilation						

TRANSOM ITEMS SEE GLAZING CHART FOR CAPPED C.W.



3.44

Changes reserved
Sous reserve de modifications
Änderungen vorbehalten

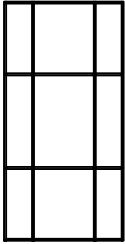
Issue: 05
Date : 10-16

Glazing charts

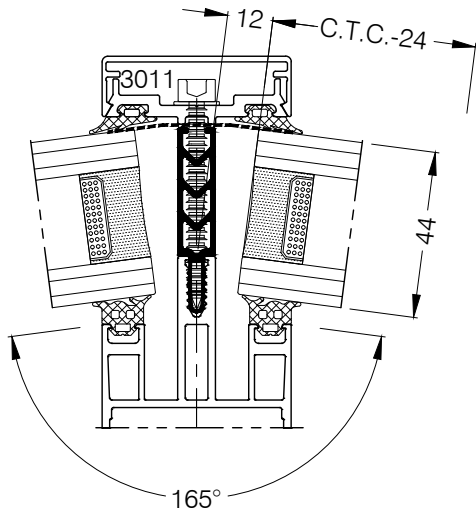
3

Comar 6EFT

Capped curtain wall External corner



3.45

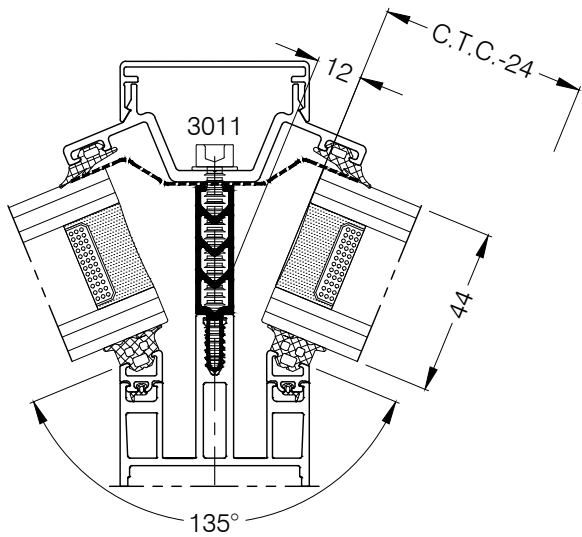
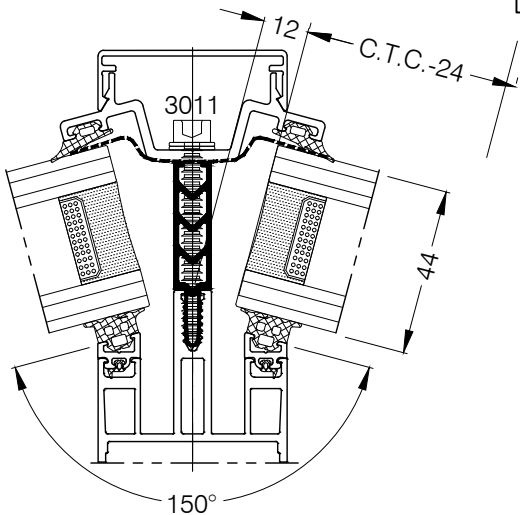


GLAZING POCKET 54	Glazing Thickness (mm)					
	34	36	38	40	42	44
2102 6mm 2101						X
2104 8mm 2103					X	
2106 10mm 2105				X		
2108 12mm 2107			X			
2110 14mm 2109		X				
2112 16mm 2111	X					
BUTYL	2150 + 6001 or 6002 Pressure Plate Gasket					
	1331-15° Glazing Adapter+2490 Gasket					
	1332-22.5° Glazing Adapter+2490 Gasket					
	2203-34mm Thermal Break					
	3011- 55mm Screw + 3091 Washer when Fit					
	As required for ventilation					

TRANSOM ITEMS SEE GLAZING CHART FOR CAPPED C.W.

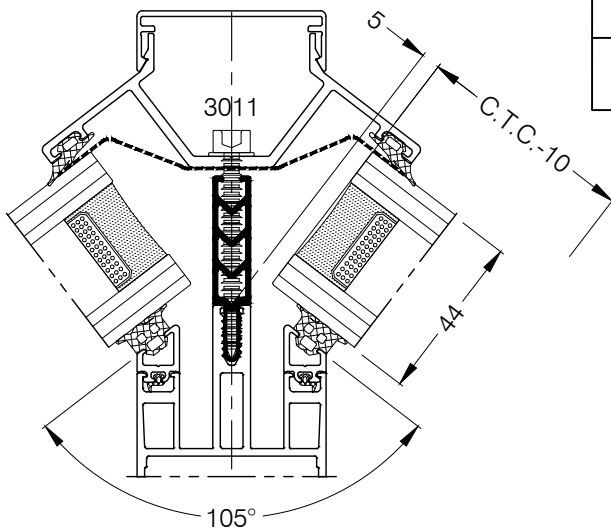
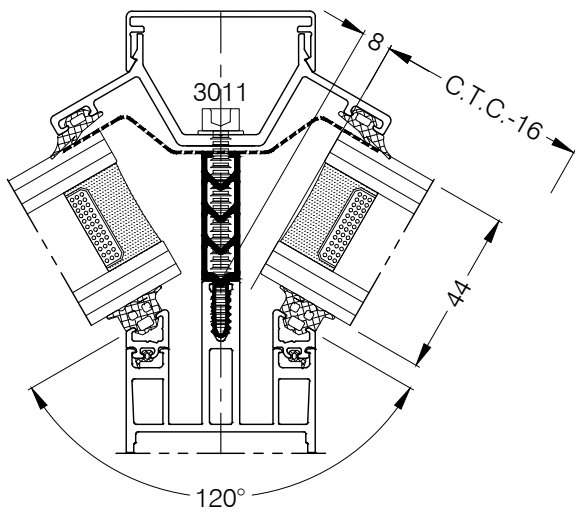
Copyright and ownership of this drawing is vested in EFT, Euro Facade Systems Ltd, whose prior written consent is required for its use, reproduction or for publication to any third party. All other rights reserved. Subject to modifications.

Fabricators Guide



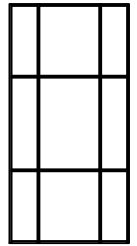
Capped curtain wall
External Corner

Copyright and ownership of this drawing is vested in EFT, Euro Facade Systems Ltd, whose prior written consent is required for its use, reproduction or for publication to any third party. All other rights reserved. Subject to modifications.



GLAZING POCKET 54	Glazing Thickness (mm)					
	34	36	38	40	42	44
2102 2101 6mm						X
2104 2103 8mm					X	
2106 2105 10mm				X		
2108 2107 12mm			X			
2110 2109 14mm		X				
2112 2111 16mm	X					
BUTYL	2150 + 6002 Pressure Plate Gasket					
	1333-30° Glazing Adapter+2490 Gasket					
	1334-37.5° Glazing Adapter+2490 Gasket					
	22034-34mm Thermal Break					
	3011- 55mm Screw + 3091 Washer when Fit					
	As required for ventilation					

TRANSOM ITEMS SEE GLAZING CHART FOR CAPPED C.W.



3.46

Changes reserved
Sous reserve de modifications
Änderungen vorbehalten

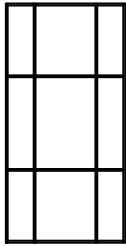
Issue: 05
Date : 10-16

Glazing charts

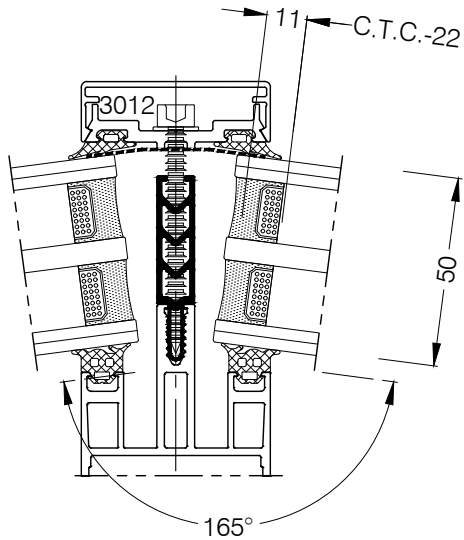
3

Comar 6EFT

Capped c.w. external corner



3.47

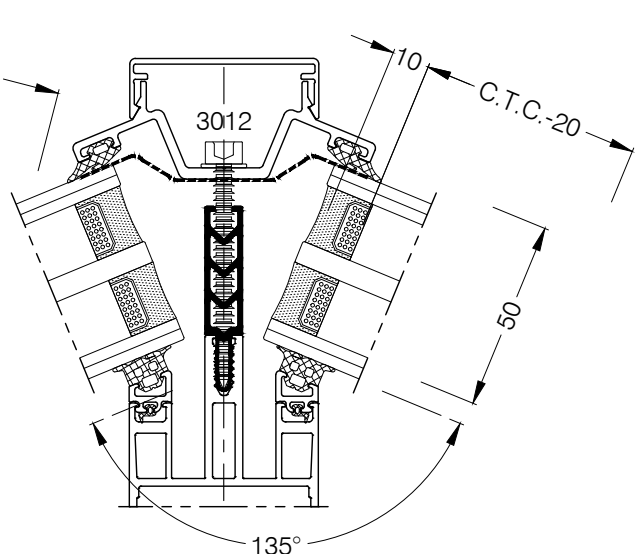
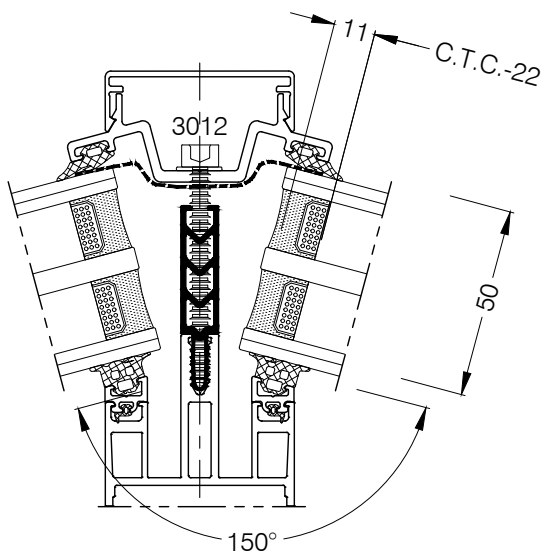


GLAZING POCKET 60	Glazing Thickness (mm)					
	40	42	44	46	48	50
2102 6mm 2101						X
2104 8mm 2103					X	
2106 10mm 2105				X		
2108 12mm 2107			X			
2110 14mm 2109		X				
2112 16mm 2111	X					
BUTYL	2150 + 6001 or 6002 Pressure Plate Gasket					
	1331-15° Glazing Adapter + 2490 Gasket					
	1332-22.5° Glazing Adapter + 2490 Gasket					
	22034-34mm Thermal Break					
	3012- 60mm Screw + 3091 Washer when Fit					
	As required for ventilation					

TRANSOM ITEMS SEE GLAZING CHART FOR CAPPED C.W.

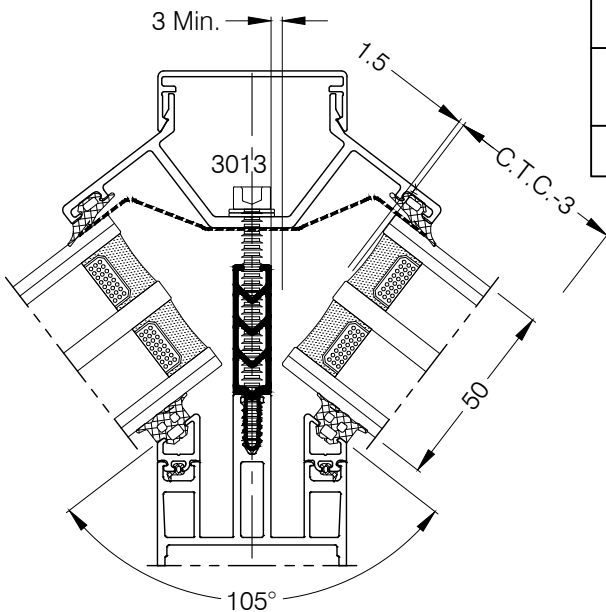
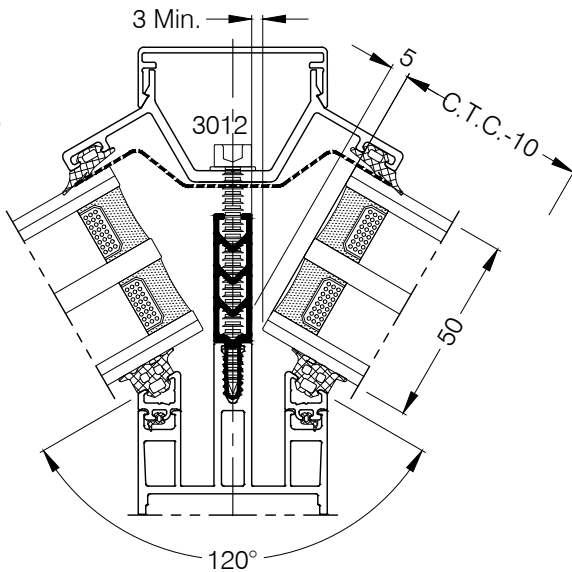
Copyright and ownership of this drawing is vested in EFT, Euro Facade Systems Ltd, whose prior written consent is required for its use, reproduction or for publication to any third party. All other rights reserved. Subject to modifications.

Fabricators Guide



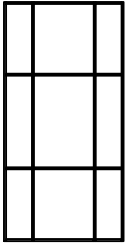
Capped c.w
External Corner

Copyright and ownership of this drawing is vested in EFT, Euro Facade Systems Ltd, whose prior written consent is required for its use, reproduction or for publication to any third party. All other rights reserved. Subject to modifications.



GLAZING POCKET 60	Glazing Thickness (mm)					
	40	42	44	46	48	50
2102 6mm 2101						X
2104 8mm 2103					X	
2106 10mm 2105				X		
2108 12mm 2107			X			
2110 14mm 2109		X				
2112 16mm 2111	X					
BUTYL	2150 + 6002 Pressure Plate Gasket					
	1333-30° Glazing Adapter+2490 Gasket					
	1334-37.5° Glazing Adapter+2490 Gasket					
	2203-34mm Thermal Break					
	3012- 60mm Screw + 3091 Washer when Fit					
	3013- 65mm Screw + 3091 Washer when Fit					
	As required for ventilation					

TRANSOM ITEMS SEE GLAZING CHART FOR CAPPED C.W.



3.48

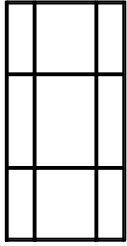
Changes reserved
Sous reserve de modifications
Änderungen vorbehalten

Issue: 05
Date : 10-16

Glazing charts

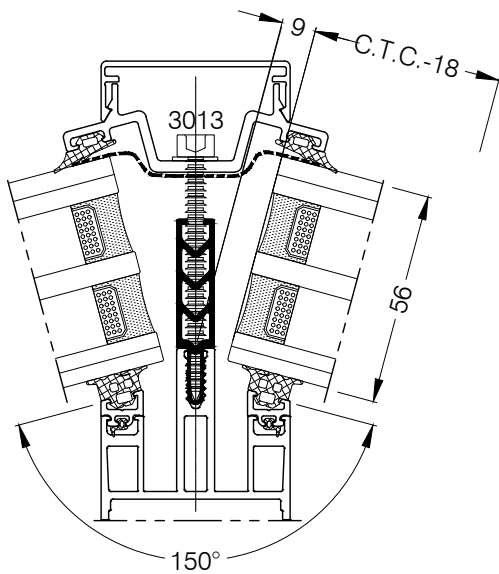
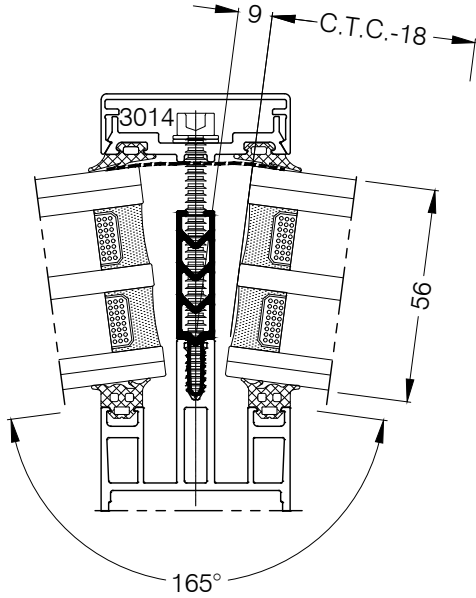
3

Comar 6EFT



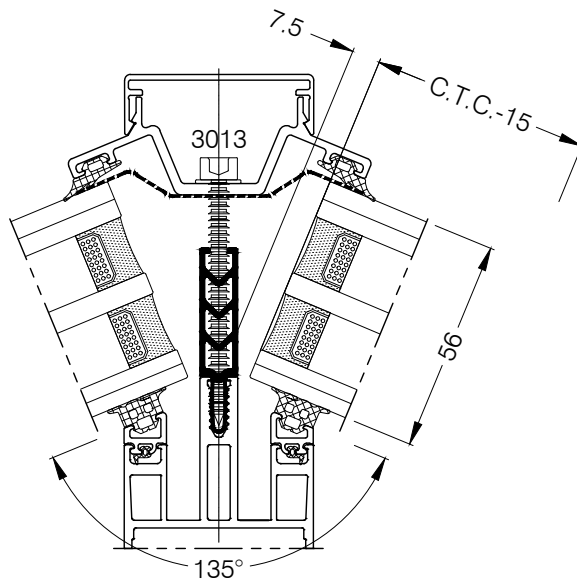
3.49

Fabricators Guide



Capped c.w. External Corner

GLAZING POCKET 66	Glazing Thickness (mm)					
	46	48	50	52	54	56
2102 6mm 2101						X
2104 8mm 2103					X	
2106 10mm 2105				X		
2108 12mm 2107			X			
2110 14mm 2109		X				
2112 16mm 2111	X					
BUTYL	2150 + 6001 or 6002 Pressure Plate Gasket					
	1331-15° Glazing Adapter + 2490 Gasket					
	1332-22.5° Glazing Adapter + 2490 Gasket					
	2203-34mm Thermal Break					
	3013- 65mm Screw + 3091 Washer when Fit					
	3014- 70mm Screw + 3091 Washer when Fit					
	As required for ventilation					



TRANSOM ITEMS SEE GLAZING CHART FOR CAPPED C.W.

Copyright and ownership of this drawing is vested in EFT, Euro Facade Systems Ltd, whose prior written consent is required for its use, reproduction or for publication to any third party. All other rights reserved. Subject to modifications.



comar
ARCHITECTURAL ALUMINIUM SYSTEMS

Changes reserved
Sous reserve de modifications
Änderungen vorbehalten

Issue: 05
Date : 10-16

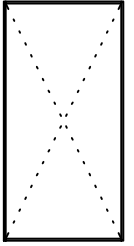
Copyright and ownership of this drawing is vested in EFT,
Euro Facade Systems Ltd, whose prior written consent is required
for its use, reproduction or for publication to any third party.
All other rights reserved. Subject to modifications.

Future Additions

3

Glazing Charts

Comar 6EFT



3.50

FUTURE
ADDITION

Fabricators Guide

Changes reserved
Sous reserve de modifications
Änderungen vorbehalten

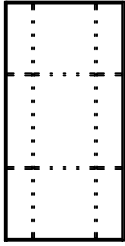
Issue: 05
Date :10-16

Glazing charts

3

Comar 6EFT

4 sided SG & 2 sided SGH



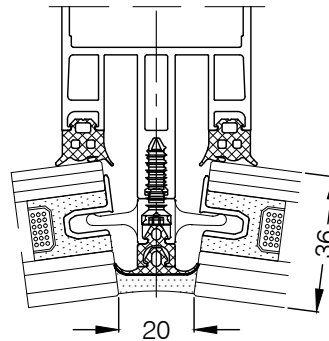
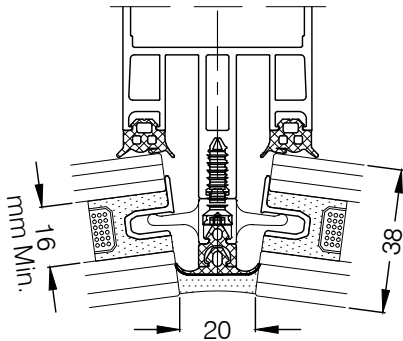
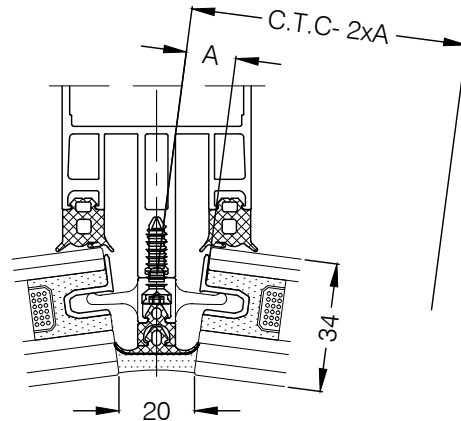
3.51

Fabricators Guide

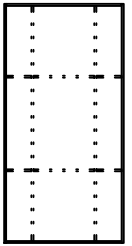
Inward Angle 7.5°		Outer Glass Pane (mm)			Inner Glass Pane (mm)			Glazing Thickness (mm)						A (mm)
					6-7	8-9	10-11	28	30	32	34	36	38	
2102 6mm 2101	Outer Glass Pane (mm)	12		X								X	13.2	
		10			X							X	12.9	
		8			X				X				12.3	
2104 8mm 2103	Outer Glass Pane (mm)	12		X								X	13.2	
		10			X				X				12.9	
		8			X			X					12.7	
2106 10mm 2105	Outer Glass Pane (mm)	12	X							X			13.2	
		10	X					X					12.9	
		8	X				X						12.5	
		6	X			X							12.4	
2176- 4mm Joint Gasket			X	X										
2170- 2mm Joint Gasket			X									X		
2166 6mm- Gasket												X		
2197- 12mm Thermal Break														
2403- 12mm Double Glazing Clamp														
3029-23mm Screw														
As required for ventilation														

TRANSOM ITEMS SEE GLAZING CHART FOR 4 SIDE SG OR 2 SIDE SGH

Copyright and ownership of this drawing is vested in EFT, Euro Facade Systems Ltd, whose prior written consent is required for its use, reproduction or for publication to any third party. All other rights reserved. Subject to modifications.



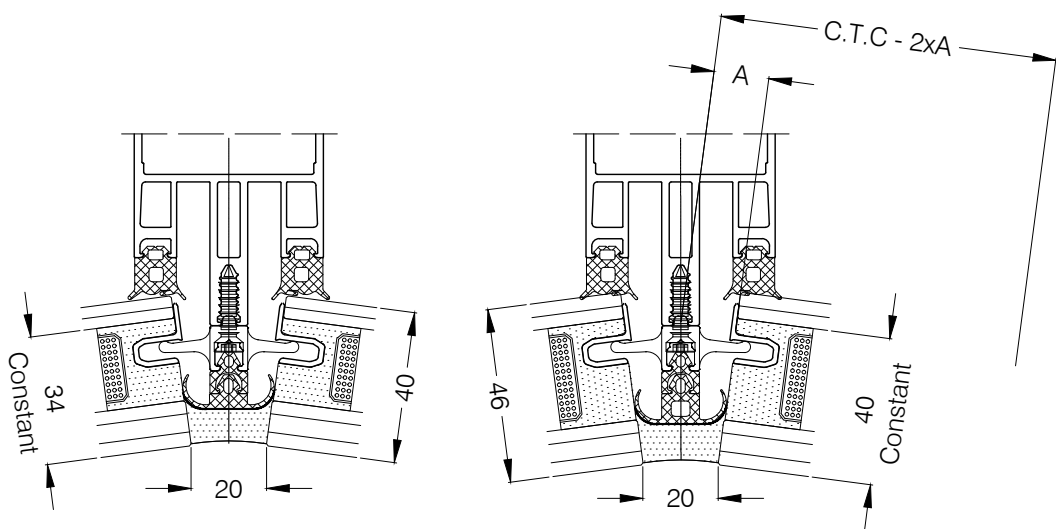
4 sided SG & 2 sided SGH



3.52

Copyright and ownership of this drawing is vested in EFT, Euro Facade Systems Ltd, whose prior written consent is required for its use, reproduction or for publication to any third party. All other rights reserved. Subject to modifications.

Inward Angle 7.5°	Inner Glass Pane (mm)			Glazing Thickness (mm)						A (mm)	TRANSOM ITEMS SEE GLAZING CHART FOR 4 SIDE SG OR 2 SIDE SGH
	6-7	8-9	10-11	40	42	44	46	48	50		
2102 6mm 2101			X			X				14.1	
									X	14.6	
2104 8mm 2103		X			X					14.1	
								X		14.6	
2106 10mm 2105	X			X						14.1	
							X			14.6	
2176 - 4mm Joint Gasket											
2178 - 8mm Joint Gasket											
2166 - 6mm- Gasket											
2100 - 18mm Thermal Break											
2431 - 12mm Double Glazing Clamp											
3029 - 23mm Screw											
As required for ventilation											



Changes reserved
 Sous reserve de modifications
 Änderungen vorbehalten

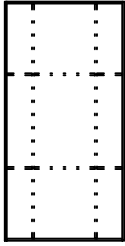
Issue: 05
 Date : 10-16

Glazing charts

3

Comar 6EFT

4 sided SG & 2 sided SGH



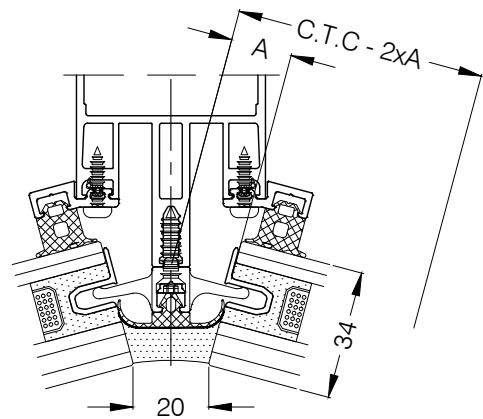
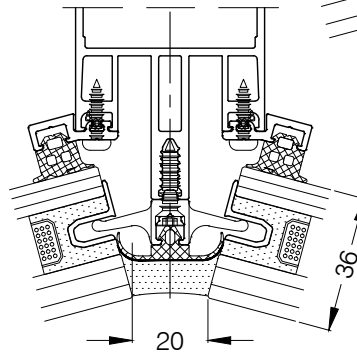
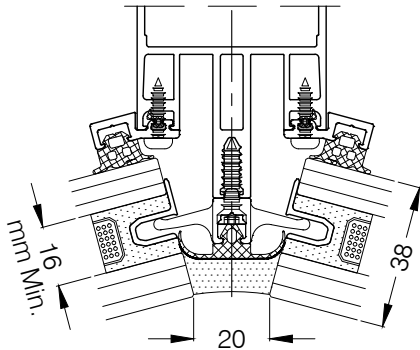
3.53

Fabricators Guide

Inward Angle 15°		Inner Glass Pane (mm)			Glazing Thickness (mm)						A (mm)		
		6-7	8-9	10-11	28	30	32	34	36	38			
2102 6mm 2101	Outer Glass Pane (mm)	6	12		X						X	16.9	
			10		X					X		15.7	
			8		X				X			15.2	
		6	12		X						X		16.3
			10		X				X			15.7	
			8		X			X				15.2	
		6	12	X						X			16.3
			10	X				X				15.7	
			8	X				X				15.1	
6		X		X						14.6			

TRANSOM ITEMS SEE GLAZING CHART FOR 4 SIDE SG OR 2 SIDE SGH

	2176- 4mm Joint Gasket		X	X	X
	2172- 2mm Joint Gasket	X			
	2442- 12mm Double Glazing Clamp				
	3029-23mm Screw				
	2197- 12mm Thermal Break				
	As required for ventilation				
	1339- 15° Glazing Adapter +3021 Screw + 2490 Gasket				



Copyright and ownership of this drawing is vested in EFT, Euro Facade Systems Ltd, whose prior written consent is required for its use, reproduction or for publication to any third party. All other rights reserved. Subject to modifications.

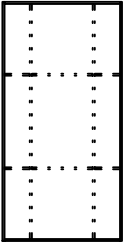


comar
ARCHITECTURAL ALUMINIUM SYSTEMS

Changes reserved
Sous reserve de modifications
Änderungen vorbehalten

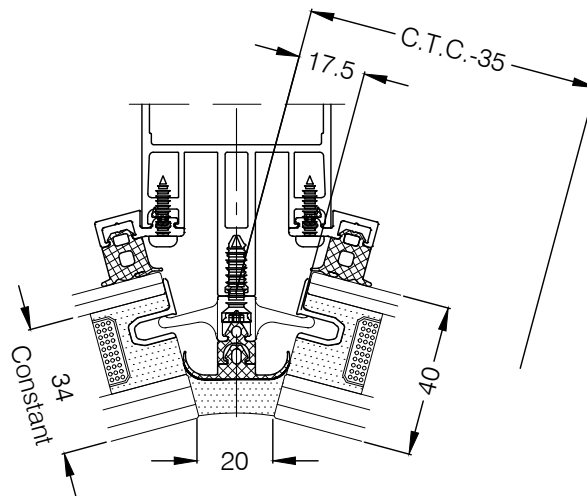
Issue: 05
Date : 10-16

4 sided SG & 2 sided SGH



3.54

Inward Angle 15°	Inner Glass Pane (mm)			Glazing Thickness (mm)			TRANSOM ITEMS SEE GLAZING CHART FOR 4 SIDE SG OR 2 SIDE SGH
	6-7	8-9	10-11	40	42	44	
2102 6mm 2101			X			X	
2104 8mm 2103		X			X		
2106 10mm 2105	X			X			
2176- 4mm Joint Gasket							
2166 6mm- Gasket							
2100- 18mm Thermal Break							
1339- 15° Glazing Adapter +3021 Screw + 2490 Gasket							
2442- 12mm Double Glazing Clamp							
3029-23mm Screw							
As required for ventilation							



Copyright and ownership of this drawing is vested in EFT, Euro Facade Systems Ltd, whose prior written consent is required for its use, reproduction or for publication to any third party. All other rights reserved. Subject to modifications.

Changes reserved
 Sous reserve de modifications
 Änderungen vorbehalten

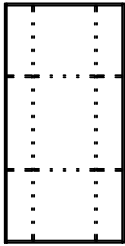
Issue: 05
 Date : 10-16

Glazing charts

3

Comar 6EFT

4 sided SG & 2 sided SGH

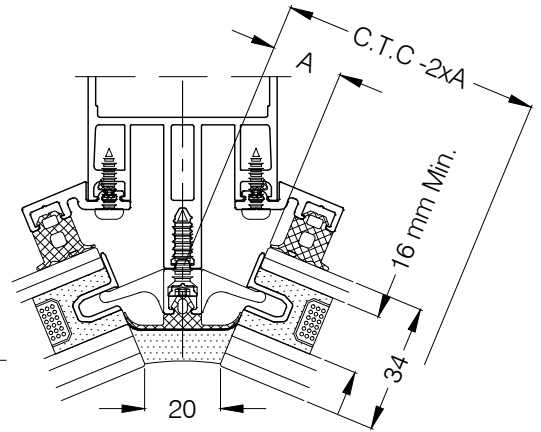
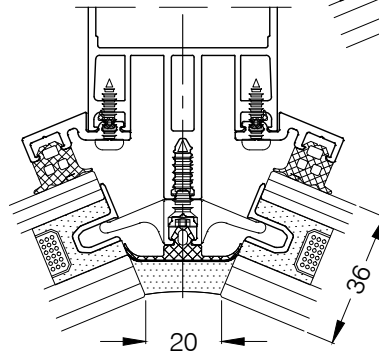
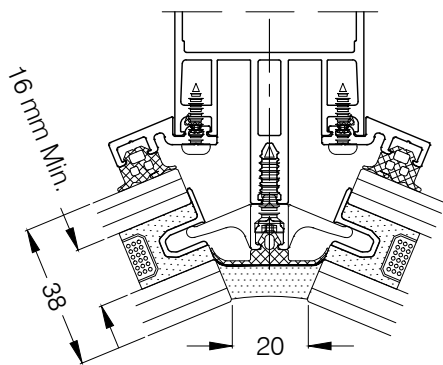


3.55

Fabricators Guide

Inward Angle 22.5°		Inner Glass Pane (mm)			Glazing Thickness (mm)						A (mm)	TRANSOM ITEMS SEE GLAZING CHART FOR 4 SIDE SG OR 2 SIDE SGH
					6-7	8-9	10-11	28	30	32		
2102 6mm 2101	Outer Glass Pane (mm)	12		X						X	18.5	
		10		X					X		18.0	
		8		X			X				16.8	
		6		X			X				16.4	
		12		X				X			18.6	
		10		X			X				18.0	
2104 8mm 2103	6		X			X				17.4		
	12		X					X		16.4		
	10		X			X				16.4		
2106 10mm 2105	6		X		X					18.8		
	12	X					X			18.1		
	10	X				X				17.2		
	6	X			X					16.4		
2176- 4mm Joint Gasket				X	X							
2172- 2mm Joint Gasket		X	X									
2443- 12mm Double Glazing Clamp		1337- 22.5° Glazing Adapter +3021 Screw + 2490 Gasket										
3029-23mm Screw												
2197- 12mm Thermal Break												
As required for ventilation												

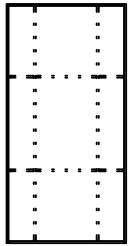
Copyright and ownership of this drawing is vested in EFT, Euro Facade Systems Ltd, whose prior written consent is required for its use, reproduction or for publication to any third party. All other rights reserved. Subject to modifications.



4 sided SG & 2 sided SGH

Comar 6EFT

Copyright and ownership of this drawing is vested in EFT, Euro Facade Systems Ltd, whose prior written consent is required for its use, reproduction or for publication to any third party. All other rights reserved. Subject to modifications.



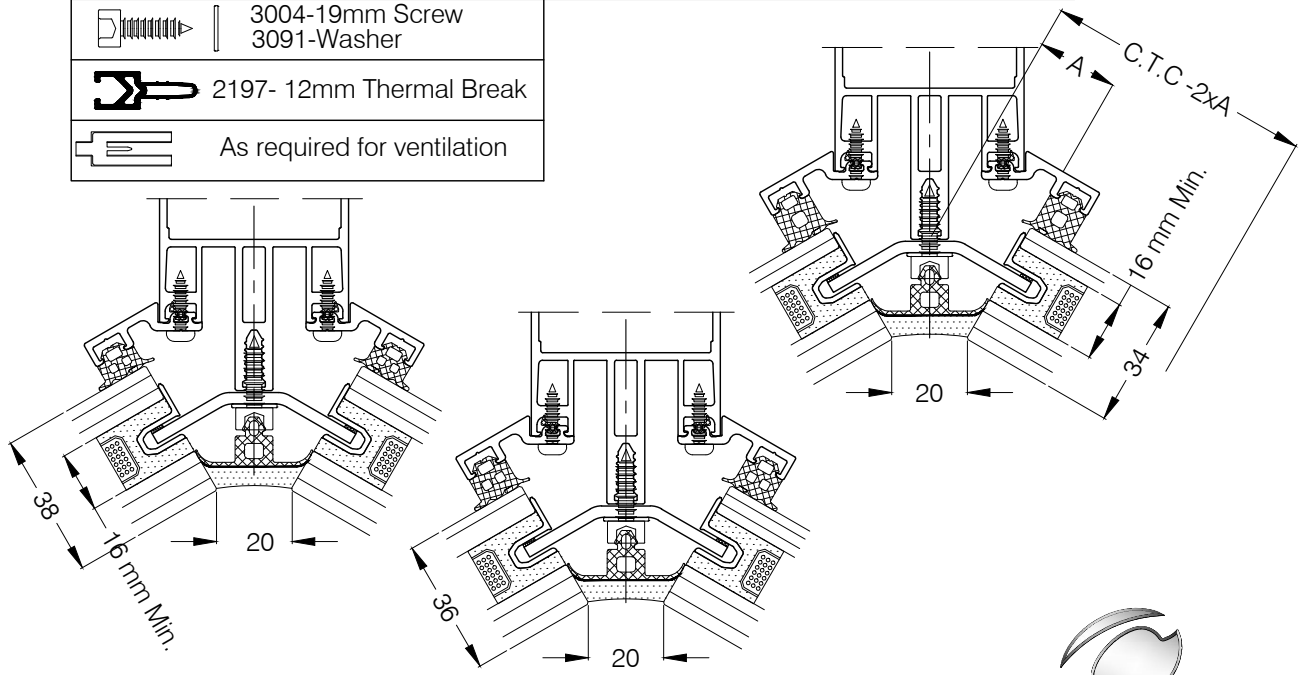
3.56

Inward Angle 30°		Outer Glass Pane (mm)		Inner Glass Pane (mm)			Glazing Thickness (mm)					A (mm)	TRANSOM ITEMS SEE GLAZING CHART FOR 4 SIDE SG OR 2 SIDE SGH
				6-7	8-9	10-11	28	30	32	34	36		
2102 6mm 2101	6	12		X							X	21.5	
		10		X						X		20.4	
		8		X			X					19.3	
2104 8mm 2103	6	12		X							X	21.6	
		10		X					X			20.4	
		8		X			X					19.2	
2106 10mm 2105	6	12	X							X		21.6	
		10	X				X					20.4	
		8	X			X						19.3	
		6	X		X							18.1	

2178- 8mm Joint Gasket				X
2176- 4mm Joint Gasket	X	X		
2172- 2mm Joint Gasket	X			

Clamp Inner Angle 30°

- 3004-19mm Screw
- 3091-Washer
- 2197- 12mm Thermal Break
- As required for ventilation



Fabricators Guide

Changes reserved
 Sous reserve de modifications
 Änderungen vorbehalten

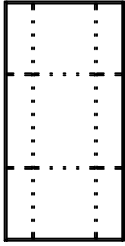
Issue: 05
 Date : 10-16

Glazing charts

3

Comar 6EFT

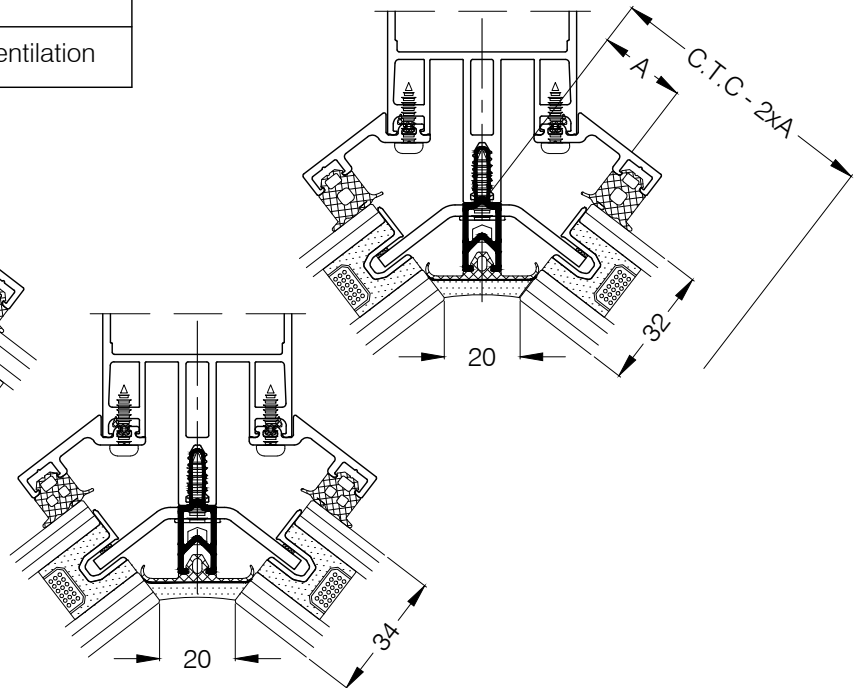
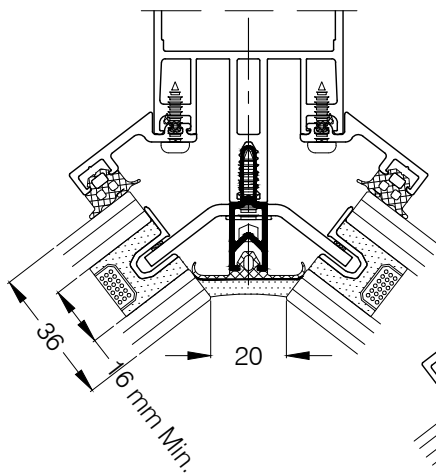
4 sided SG & 2 sided SGH



3.57

Fabricators Guide

Inward Angle 37.5°		Outer Glass Pane (mm)		Inner Glass Pane (mm)			Glazing Thickness (mm)					A (mm)	TRANSOM ITEMS SEE GLAZING CHART FOR 4 SIDE SG OR 2 SIDE SGH
				6-7	8-9	10-11	28	30	32	34	36		
2102 6mm 2101	6	10		X					X	23	TRANSOM ITEMS SEE GLAZING CHART FOR 4 SIDE SG OR 2 SIDE SGH		
		8		X			X			22			
2104 8mm 2103	6	10		X				X	23				
		8		X			X			22			
2106 10mm 2105	6	10	X					X	23				
		8	X				X			22			
			X			X				20			
2172- 2mm Joint Gasket		X	X	X									
2166- 6mm Gasket 2167- 8mm Gasket		X	X										
2200- 18mm Thermal Break				X									
Clamp Inner Angle 37.5°		1339- 37.5° Glazing Adapter +3021 Screw + 2490 Gasket											
3004-19mm Screw 3091-Washer													
As required for ventilation													









Copyright and ownership of this drawing is vested in EFT, Euro Facade Systems Ltd, whose prior written consent is required for its use, reproduction or for publication to any third party. All other rights reserved. Subject to modifications.

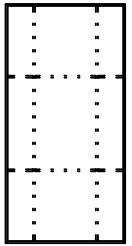
4 sided SG & 2 sided SGH

Comar 6EFT

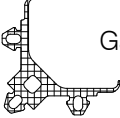
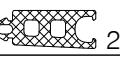
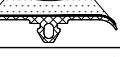
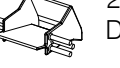


Copyright and ownership of this drawing is vested in EFT, Euro Facade Systems Ltd, whose prior written consent is required for its use, reproduction or for publication to any third party. All other rights reserved. Subject to modifications.

Inward Angle 45°		Outer Glass Pane (mm)			Inner Glass Pane (mm)			Glazing Thickness (mm)						A (mm)
					6-7	8-9	10-11	28	30	32	34	36	38	
 2102  6mm 2101	6	12		X							X	13		
		10		X						X		11		
		8		X			X						11**	
 2104  8mm 2103	6	12	X							X		13		
		10	X					X				11		
		8	X				X						11**	
 2106  10mm 2105	6	12	X						X			13		
		10	X				X					11		
		8	X			X							11**	
		6	X		X							11*		

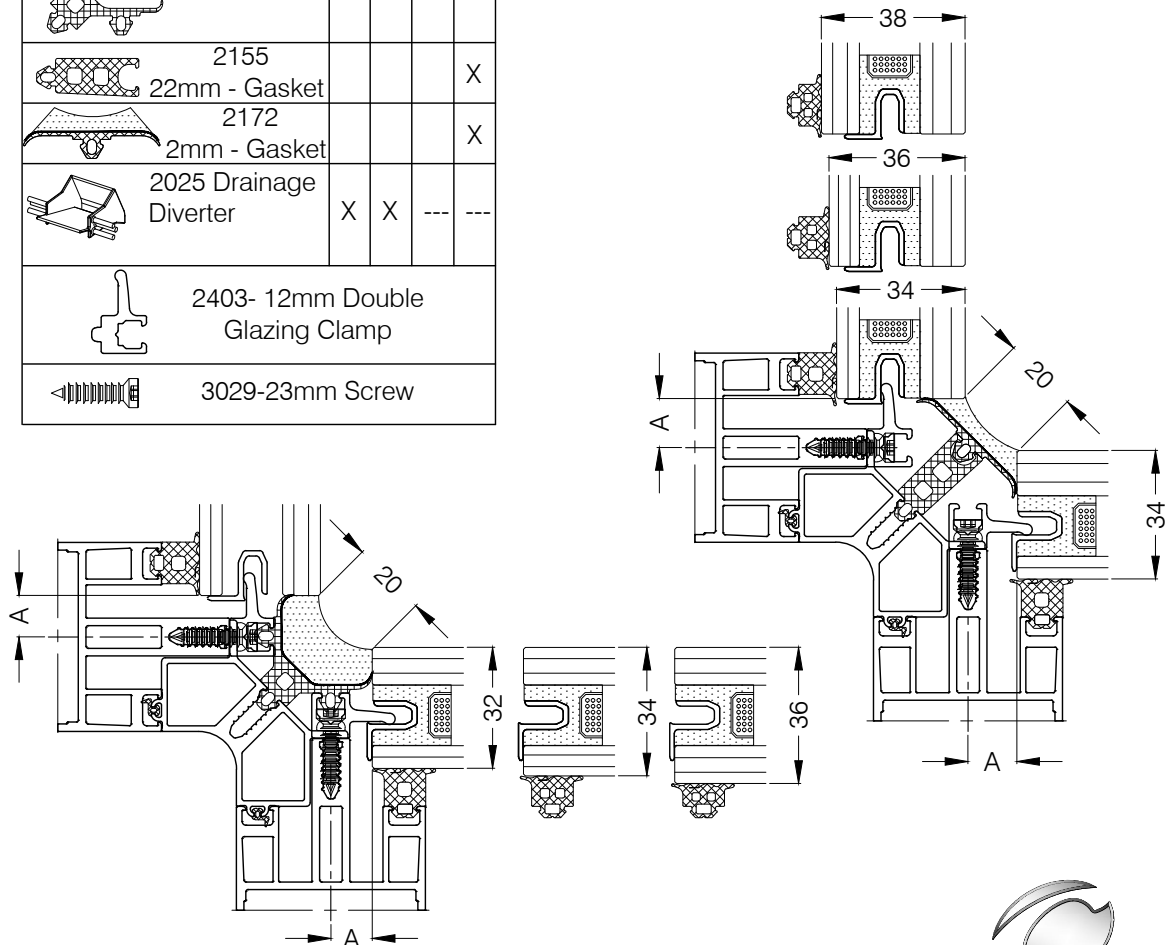
TRANSOM ITEMS SEE GLAZING CHART FOR 4 SIDE SG OR 2 SIDE SGH



3.58

	Gasket 2171	X	X	X	
	2155 22mm - Gasket				X
	2172 2mm - Gasket				X
	2025 Drainage Diverter	X	X	---	---
	2403- 12mm Double Glazing Clamp				
	3029-23mm Screw				

*- Seal Gap 25mm
**- Seal Gap 23mm



Fabricators Guide

Changes reserved
Sous reserve de modifications
Änderungen vorbehalten

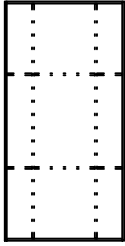
Issue: 05
Date : 10-16

Glazing charts

3

Comar 6EFT

4 sided SG & 2 sided SGH

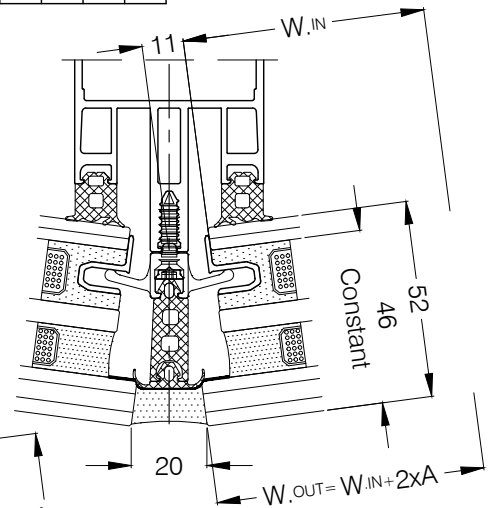
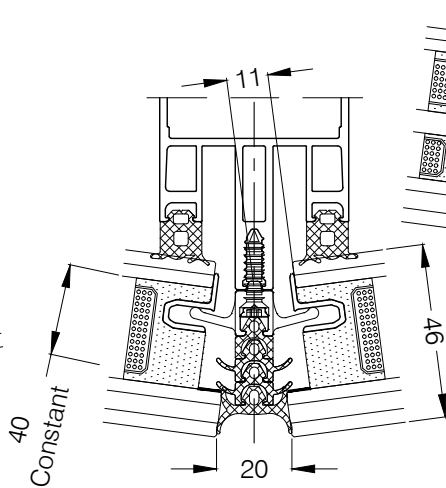
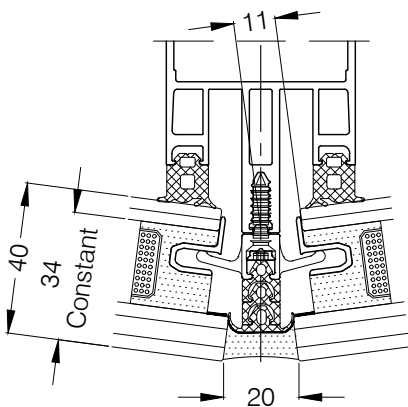
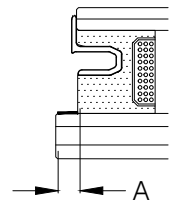


3.59

Outward Angle 7.5°	Inner Glass Pane (mm)			Glazing Thickness (mm)											A (mm)	TRANSOM ITEMS SEE GLAZING CHART FOR 4 SIDE SG OR 2 SIDE SGH
	6-7	8-9	10-11	40	42	44	46	48	50	52	54	56				
2102 6mm 2101			X						X			X	7.0			
2104 8mm 2103		X				X		X			X	7.0				
2106 10mm 2105	X				X		X			X		7.0				
2170- 2mm Joint Gasket				X	X	X				X	X	X	6.1			
2182- 2mm Joint Gasket							X	X	X				5.4			
2166 6mm- Gasket				X	X	X	X	X	X				5.4			
2166- 6mm Gasket x 2							X	X	X				7.0			
2155 22mm- Gasket										X	X	X	6.1			
2100- 18mm Thermal Break				X	X	X	X	X					5.4			
2103- 34mm Thermal Break									X	X	X	X				
2026- 64mm Drainage Diverter				X	X	X										
2027- 72mm Drainage Diverter							X	X	X	X	X	X				
2431- 12mm Double Glazing Clamp																
3029-23mm Screw																

Copyright and ownership of this drawing is vested in EFT, Euro Facade Systems Ltd, whose prior written consent is required for its use, reproduction or for publication to any third party. All other rights reserved. Subject to modifications.

Fabricators Guide

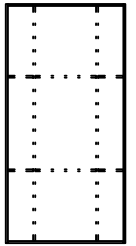


4 sided SG & 2 sided SGH

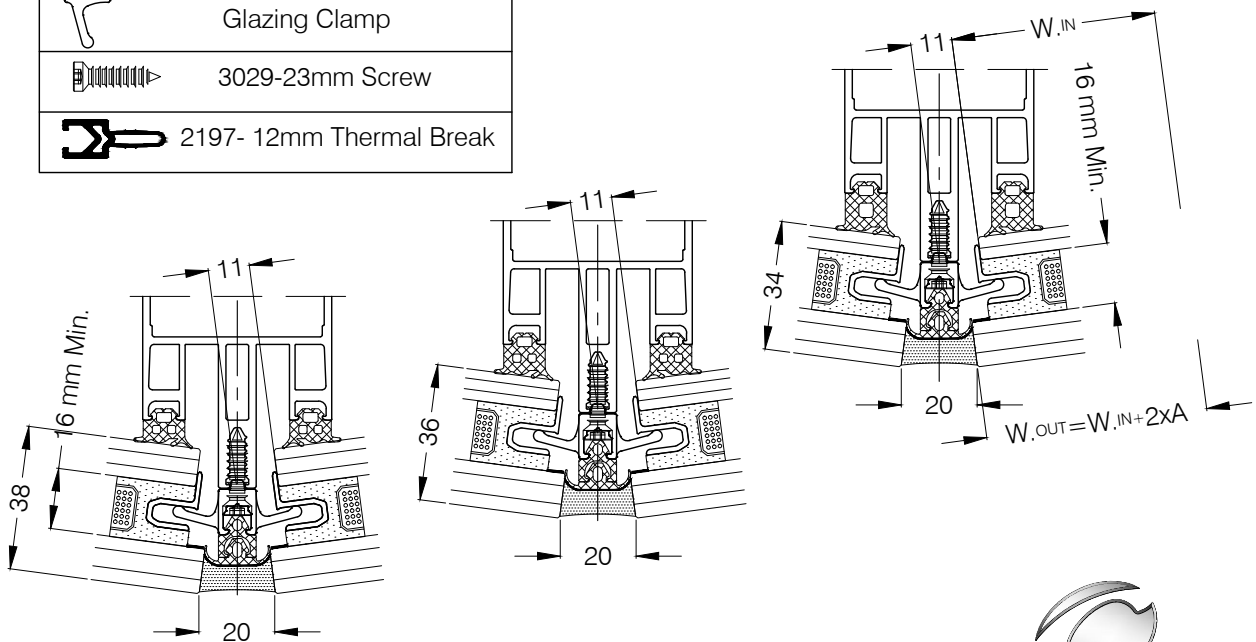
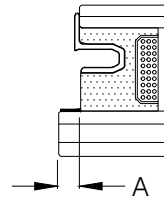
Comar 6EFT

Copyright and ownership of this drawing is vested in EFT, Euro Facade Systems Ltd, whose prior written consent is required for its use, reproduction or for publication to any third party. All other rights reserved. Subject to modifications.

Outward Angle 7.5°		Outer Glass Pane (mm)			Inner Glass Pane (mm)			Glazing Thickness (mm)					A (mm)	TRANSOM ITEMS SEE GLAZING CHART FOR 4 SIDE SG OR 2 SIDE SGH
					6-7	8-9	10-11	28	30	32	34	36		
2102 6mm 2101	Outer Glass Pane (mm)	12		X							X	4.6		
		10		X						X		4.5		
		8		X			X							4.3
2104 8mm 2103	Outer Glass Pane (mm)	12	X							X		4.5		
		10	X					X				4.3		
		8	X			X						4.2		
2106 10mm 2105	Outer Glass Pane (mm)	12	X						X			4.3		
		10	X				X					4.2		
		8	X			X						4.0		
		6	X			X						3.8		
	2176- 4mm Joint Gasket	X	X											
	2170- 2mm Joint Gasket			X	X									
	2166 6mm- Gasket			X	X									
	2021- 50mm Drainage Diverter	X	X											
	2020- 56mm Drainage Diverter			X	X									
	2431- 12mm Double Glazing Clamp													
	3029-23mm Screw													
	2197- 12mm Thermal Break													



3.60



Fabricators Guide

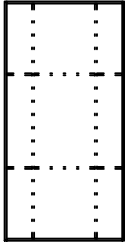
Changes reserved
 Sous reserve de modifications
 Änderungen vorbehalten

Issue: 05
 Date : 10-16

Glazing charts

Comar 6EFT

4 sided SG & 2 sided SGH

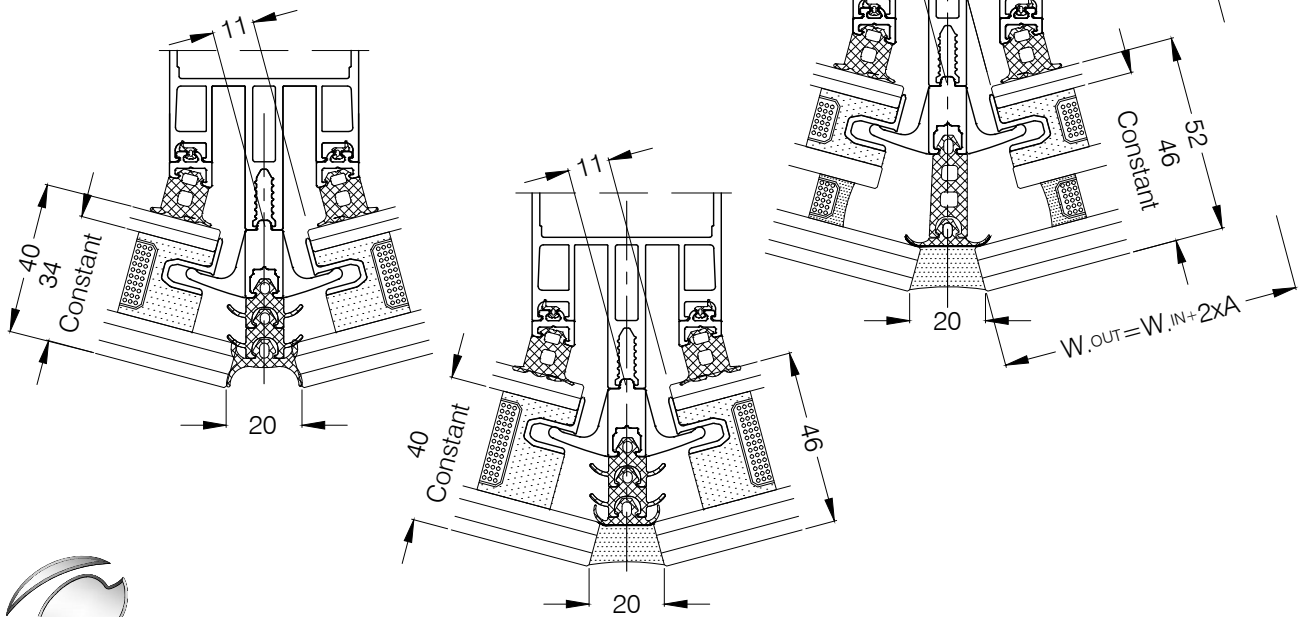


3.61

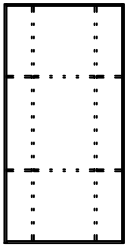
Outward Angle 15°	Inner Glass Pane (mm)			Glazing Thickness (mm)											A (mm)	TRANSOM ITEMS SEE GLAZING CHART FOR 4 SIDE SG OR 2 SIDE SGH
	6-7	8-9	10-11	40	42	44	46	48	50	52	54	56				
2102 6mm 2101			X						X			X	15.3			
2104 8mm 2103		X				X					X		13.3			
2106 10mm 2105	X				X		X			X			11.8			
2170- 2mm Joint Gasket							X	X	X	X	X	X	15.3			
2182- 2mm Joint Gasket				X	X	X							13.3			
2167 8mm- Gasket x 2				X	X	X	X	X	X				11.8			
2166 6mm- Gasket										X	X	X	15.3			
2155 22mm- Gasket										X	X	X	13.3			
2432- 18mm Double Glazing Clamp				1331- 15° Glazing Adapter + 2490 Gasket									11.8			
3030-23mm Screw																
2103- 34mm Thermal Break																
NO Drainage Diverter																

Copyright and ownership of this drawing is vested in EFT, Euro Facade Systems Ltd, whose prior written consent is required for its use, reproduction or for publication to any third party. All other rights reserved. Subject to modifications.

Fabricators Guide

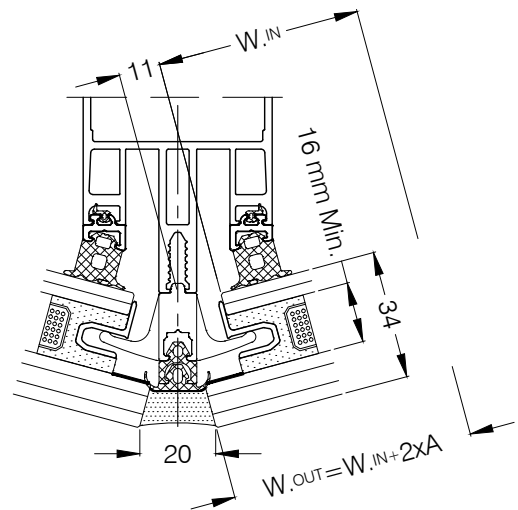
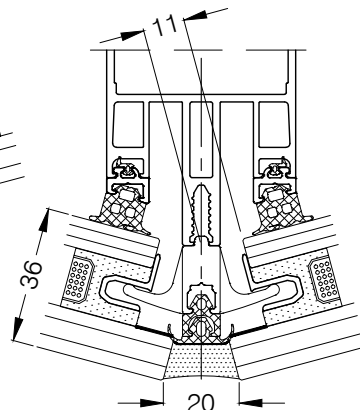
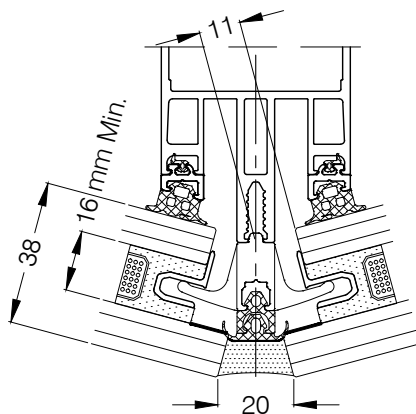


Copyright and ownership of this drawing is vested in EFT, Euro Facade Systems Ltd, whose prior written consent is required for its use, reproduction or for publication to any third party. All other rights reserved. Subject to modifications.



3.62

Outward Angle 15°		Inner Glass Pane (mm)			Glazing Thickness (mm)						A (mm)	TRANSOM ITEMS SEE GLAZING CHART FOR 4 SIDE SG OR 2 SIDE SGH			
		6-7	8-9	10-11	28	30	32	34	36	38					
2102 6mm 2101 2104 8mm 2103 2106 10mm 2105	Outer Glass Pane (mm)	6	12		X						X	10.4			
			10		X				X					9.9	
			8		X			X						9.4	
		6	12		X					X					10.4
			10		X				X						9.9
			8		X			X							9.4
		6	12	X						X					10.4
			10	X					X						9.4
			8	X				X							9.4
		6		X		X						8.4			
2172- 2mm Joint Gasket			X	X	X										
2176- 4mm Joint Gasket		X													
2020- 56mm Drainage Diverter		X	X	X	---										
2432- 18mm Double Glazing Clamp					1331- 15° Glazing Adapter + 2490 Gasket										
3030-29mm Screw															
2200- 18mm Thermal Break															



Changes reserved
 Sous reserve de modifications
 Änderungen vorbehalten

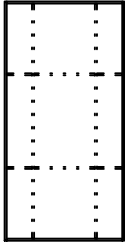
Issue: 05
 Date : 10-16

Glazing charts

3

Comar 6EFT

4 sided SG & 2 sided SGH

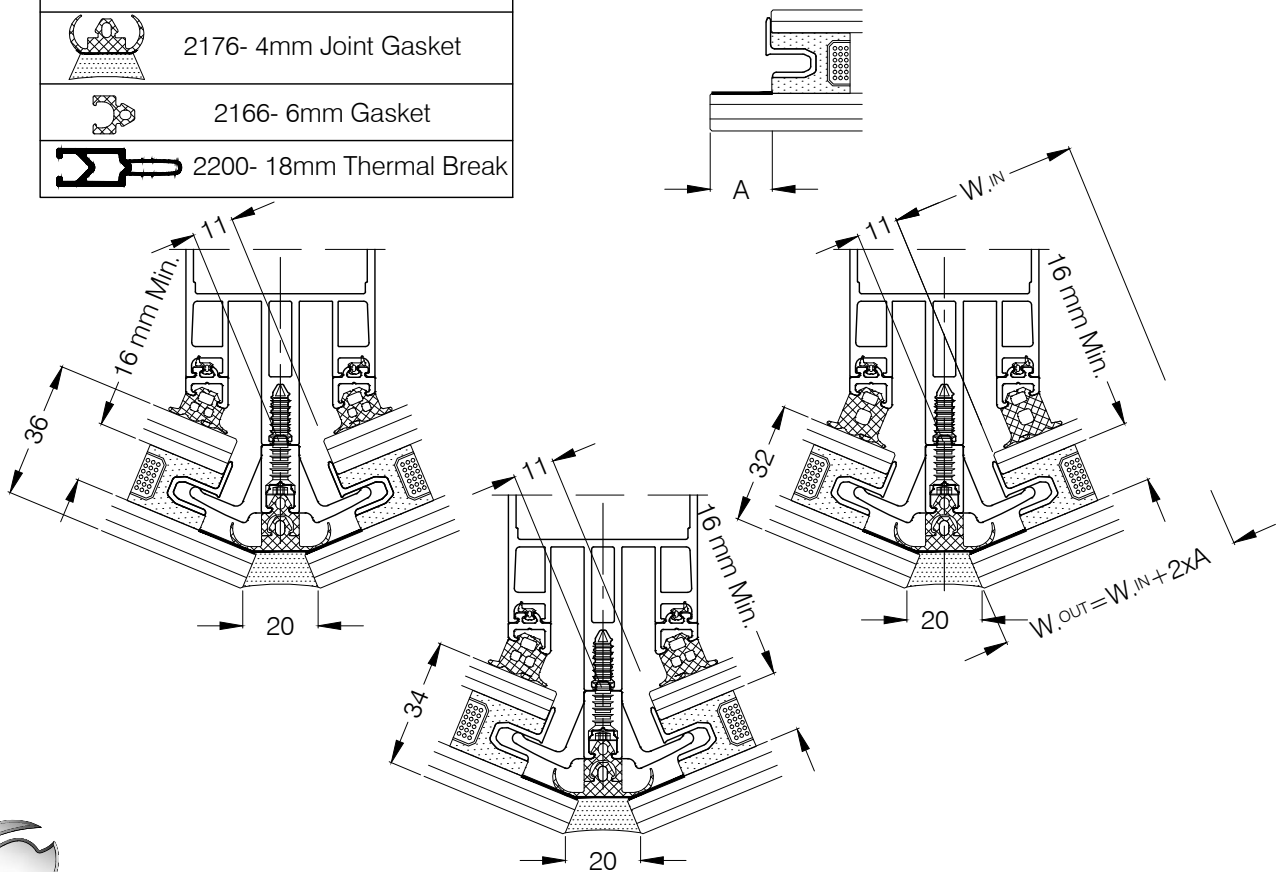


3.63

Outward Angle 22.5°		Outer Glass Pane (mm)		Inner Glass Pane (mm)			Glazing Thickness (mm)					A (mm)	TRANSOM ITEMS SEE GLAZING CHART FOR 4 SIDE SG OR 2 SIDE SGH
				6-7	8-9	10-11	28	30	32	34	36		
2102 6mm 2101	2104 8mm 2103	2106 10mm 2105	6	10		X					X	16.1	
				8			X			X		15.2	
						X				X		14.5	
				10		X				X		16.1	
				8		X				X		15.2	
						X			X			14.5	
2025 Drainage Diverter	2433- 18mm Double Glazing Clamp	3030-29mm Screw	6	10	X					X		16.2	
				8	X				X		15.3		
					X		X				14.5		
				10	X				X		16.2		
				8	X			X			15.3		
					X		X				14.5		
2176- 4mm Joint Gasket		2166- 6mm Gasket		2200- 18mm Thermal Break		1332- 22.5° Glazing Adapter + 2490 Gasket							

Copyright and ownership of this drawing is vested in EFT, Euro Facade Systems Ltd, whose prior written consent is required for its use, reproduction or for publication to any third party. All other rights reserved. Subject to modifications.

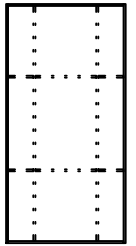
Fabricators Guide



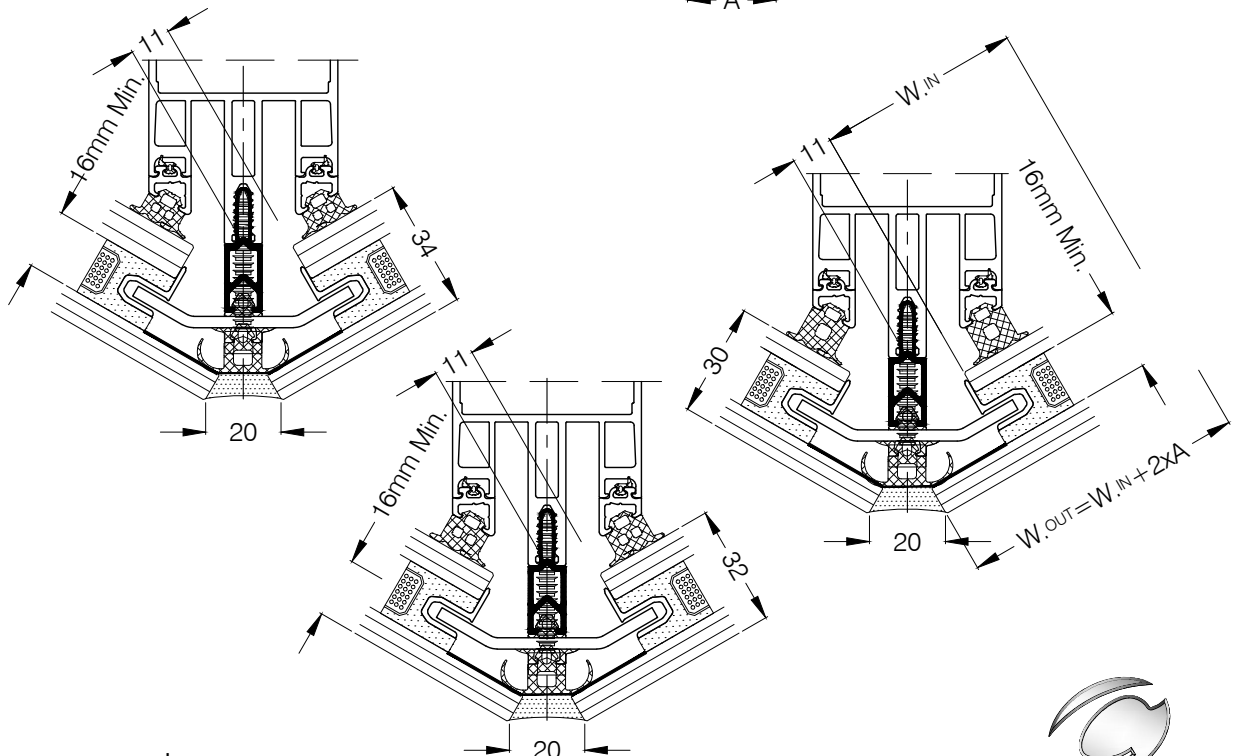
4 sided SG & 2 sided SGH

Copyright and ownership of this drawing is vested in EFT, Euro Facade Systems Ltd, whose prior written consent is required for its use, reproduction or for publication to any third party. All other rights reserved. Subject to modifications.

Outward Angle 30°		Inner Glass Pane (mm)			Glazing Thickness (mm)				A (mm)	TRANSOM ITEMS SEE GLAZING CHART FOR 4 SIDE SG OR 2 SIDE SGH	
		6-7	8-9	10-11	28	30	32	34			
2102 2101 6mm	Outer Glass Pane (mm)	8		X				X	22.8		
		6		X			X		22.1		
2104 2103 8mm		8		X			X		22.8		
		6		X		X			21.8		
2106 2105 10mm		8	X			X			22.7		
		6	X			X			22.1		
2178- 8mm Joint Gasket											
2166- 6mm Gasket											
3008-38mm Screw +3091 Washer											
2200- 18mm Thermal Break											
2025 Drainage Diverter											
1333- 30° Glazing Adapter + 2490 Gasket											



3.64



Fabricators Guide

Changes reserved
 Sous reserve de modifications
 Änderungen vorbehalten

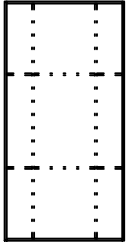
Issue: 05
 Date : 10-16

Glazing charts

3

Comar 6EFT

4 sided SG & 2 sided SGH

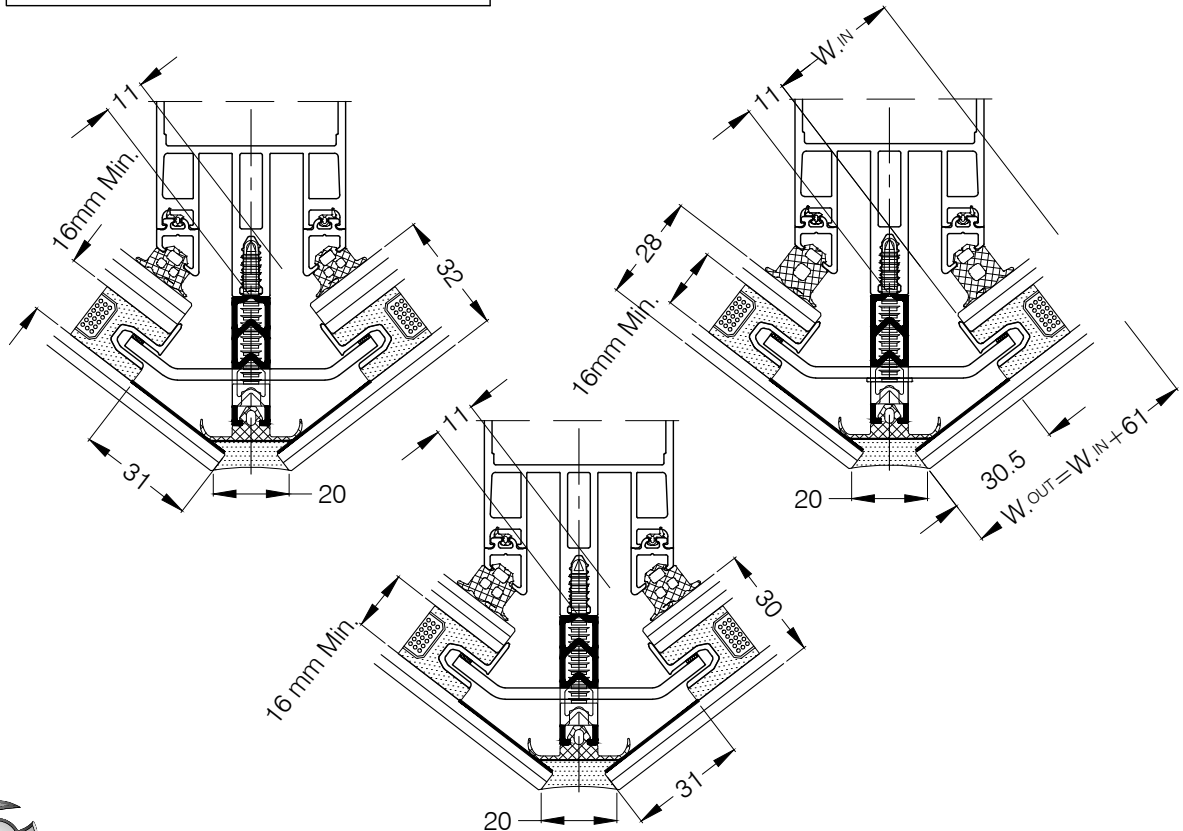


3.65

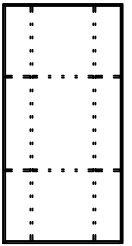
Outward Angle 37.5°		Inner Glass Pane (mm)			Glazing Thickness (mm)			TRANSOM ITEMS SEE GLAZING CHART FOR 4 SIDE SG OR 2 SIDE SGH
		6-7	8-9	10-11	28	30	32	
	6mm 2101	Outer Glass Pane (mm) 6		X			X	
	8mm 2103			X		X		
	10mm 2105		X		X			
2176- 4mm Joint Gasket								
Clamp Outer Angle 30°		1334- 37.5° Glazing Adapter + 2490 Gasket						
3008-38mm Screw + 3091 Washer								
2203- 34mm Thermal Break								
2025 Drainage Diverter								

Copyright and ownership of this drawing is vested in EFT, Euro Facade Systems Ltd, whose prior written consent is required for its use, reproduction or for publication to any third party. All other rights reserved. Subject to modifications.

Fabricators Guide



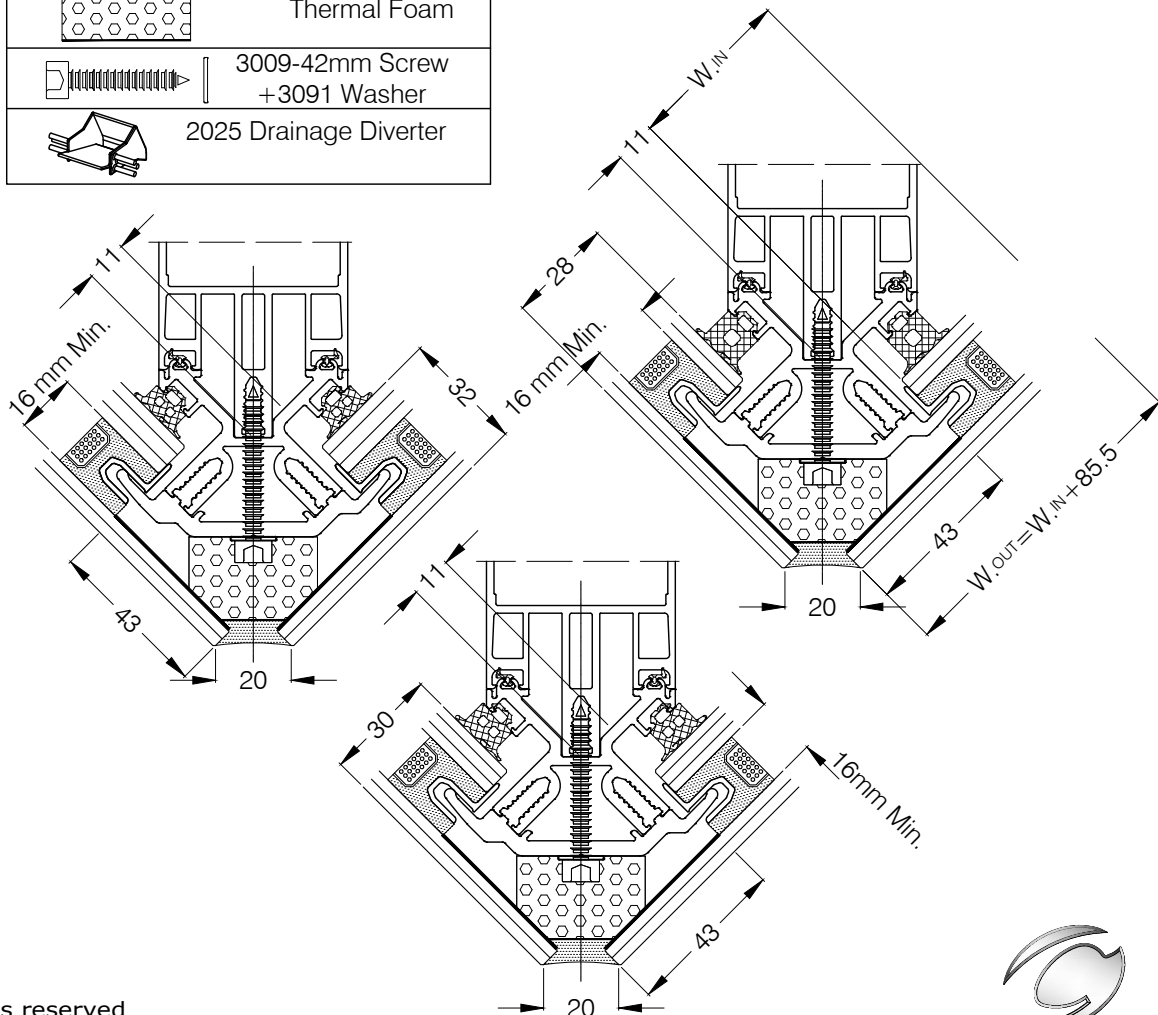
4 sided SG & 2 sided SGH



3.66

Copyright and ownership of this drawing is vested in EFT, Euro Facade Systems Ltd, whose prior written consent is required for its use, reproduction or for publication to any third party. All other rights reserved. Subject to modifications.

Outward Angle 45°				Inner Glass Pane (mm)			Glazing Thickness (mm)			TRANSOM ITEMS SEE GLAZING CHART FOR 4 SIDE SG OR 2 SIDE SGH
				6-7	8-9	10-11	28	30	32	
		6mm 2101	Outer Glass Pane (mm) 6			X			X	
		8mm 2103			X			X		
		10mm 2105		X			X			
1265+2490 Gasket				2404						
FM134 Thermal Foam										
3009-42mm Screw +3091 Washer										
2025 Drainage Diverter										



Changes reserved
 Sous reserve de modifications
 Änderungen vorbehalten

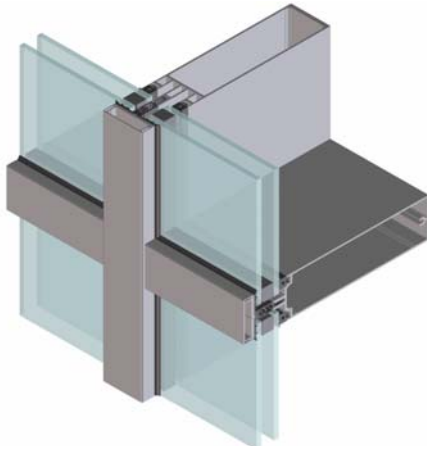
Issue: 05
 Date : 10-16

Copyright and ownership of this drawing is vested in EFT, Euro Facade Systems Ltd, whose prior written consent is required for its use, reproduction or for publication to any third party. All other rights reserved. Subject to modifications.

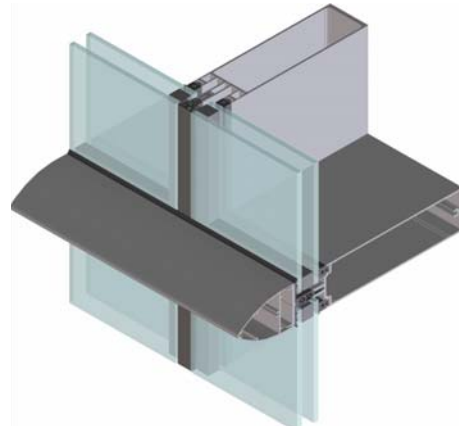
4

Profile Sections

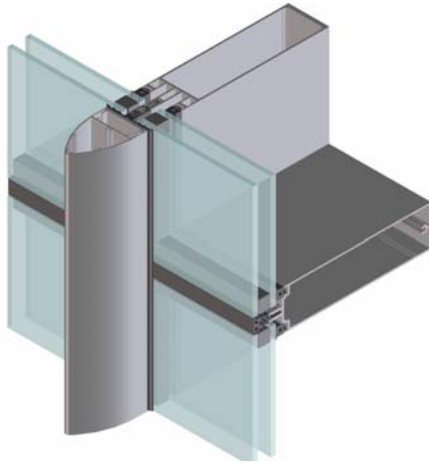
Comar 6EFT



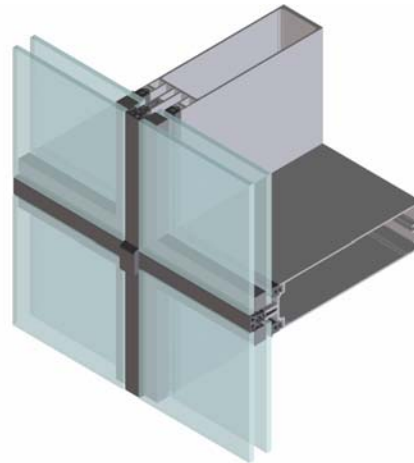
Capped



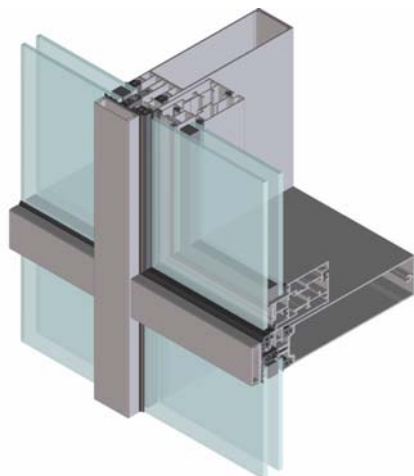
2sided SGH



2sided SGV



4sided SG

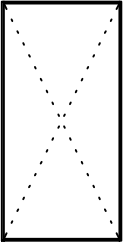


Concealed Vent

Changes reserved
Sous reserve de modifications
Änderungen vorbehalten

Issue: 05
Date : 10-16

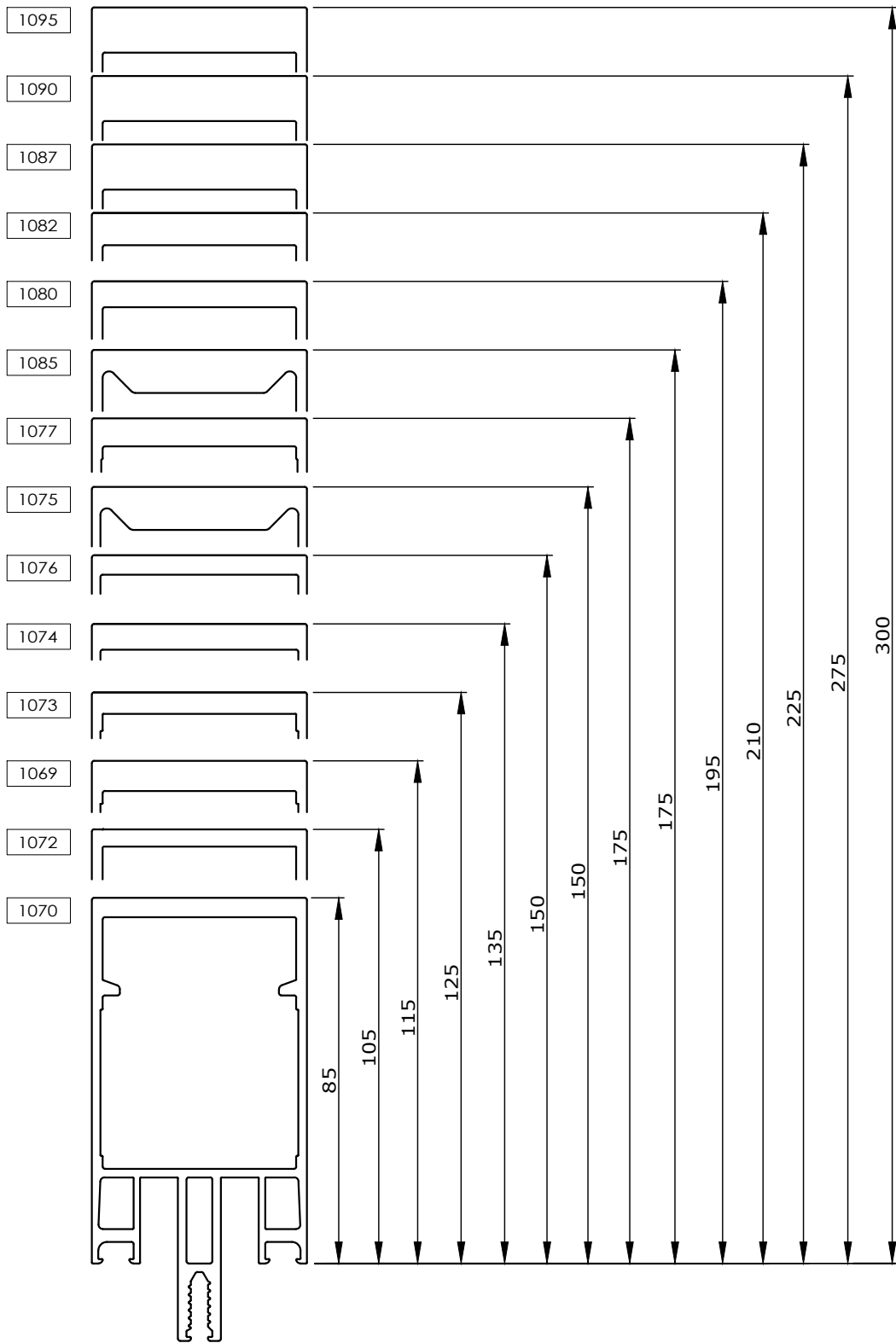
Mullions



4.00

Fabricators Guide

Copyright and ownership of this drawing is vested in EFT, Euro Facade Systems Ltd, whose prior written consent is required for its use, reproduction or for publication to any third party. All other rights reserved. Subject to modifications.



Changes reserved
 Sous reserve de modifications
 Änderungen vorbehalten

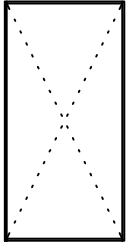
Issue: 05
 Date: 10-16

Profile Sections

4

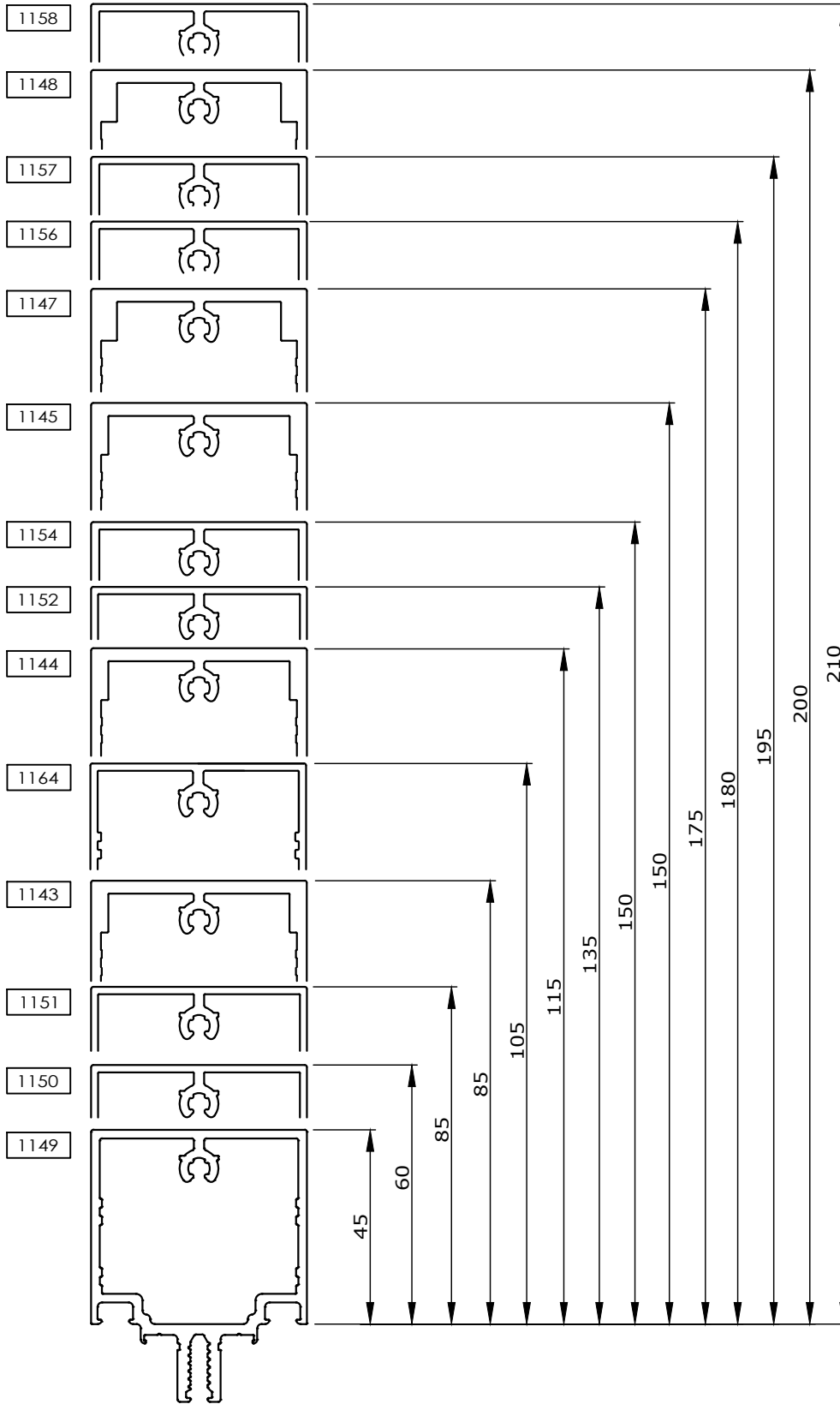
Comar 6EFT

Transoms



4.01

Fabricators Guide



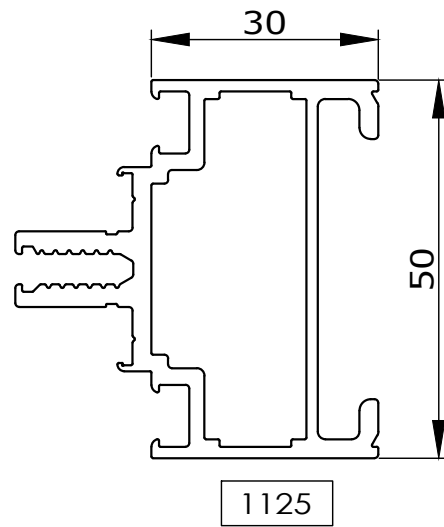
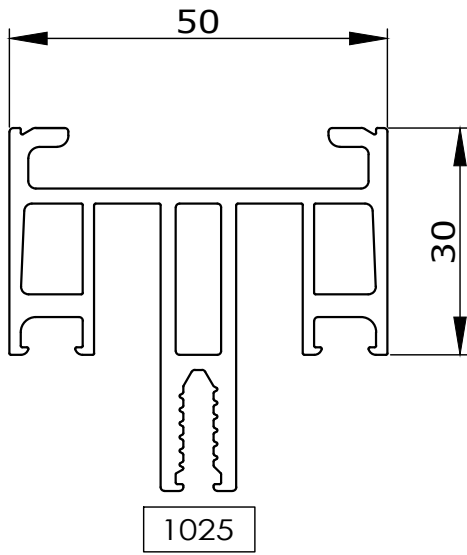
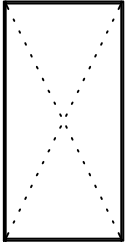
Copyright and ownership of this drawing is vested in EFT, Euro Facade Systems Ltd, whose prior written consent is required for its use, reproduction or for publication to any third party. All other rights reserved. Subject to modifications.

Copyright and ownership of this drawing is vested in EFT, Euro Facade Systems Ltd, whose prior written consent is required for its use, reproduction or for publication to any third party. All other rights reserved. Subject to modifications.

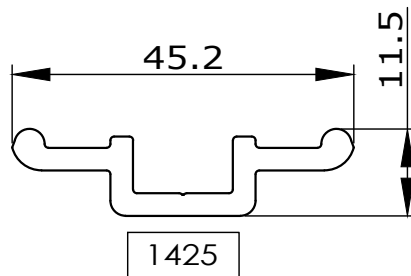
Direct fix to steel

4 Profile sections

Comar 6EFT



4.02



Fabricators Guide

Changes reserved
Sous reserve de modifications
Änderungen vorbehalten

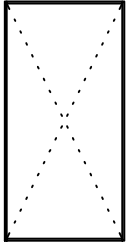
Issue: 05
Date: 10-16

Profile Sections

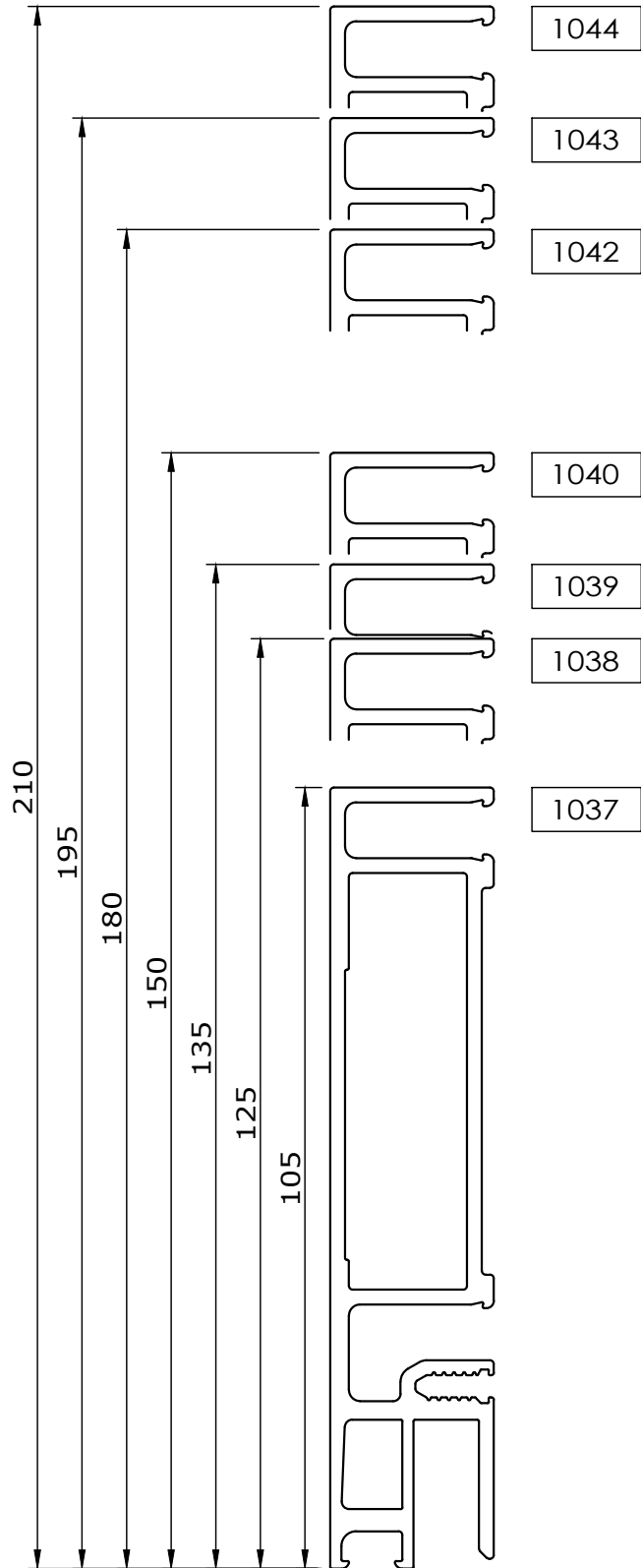
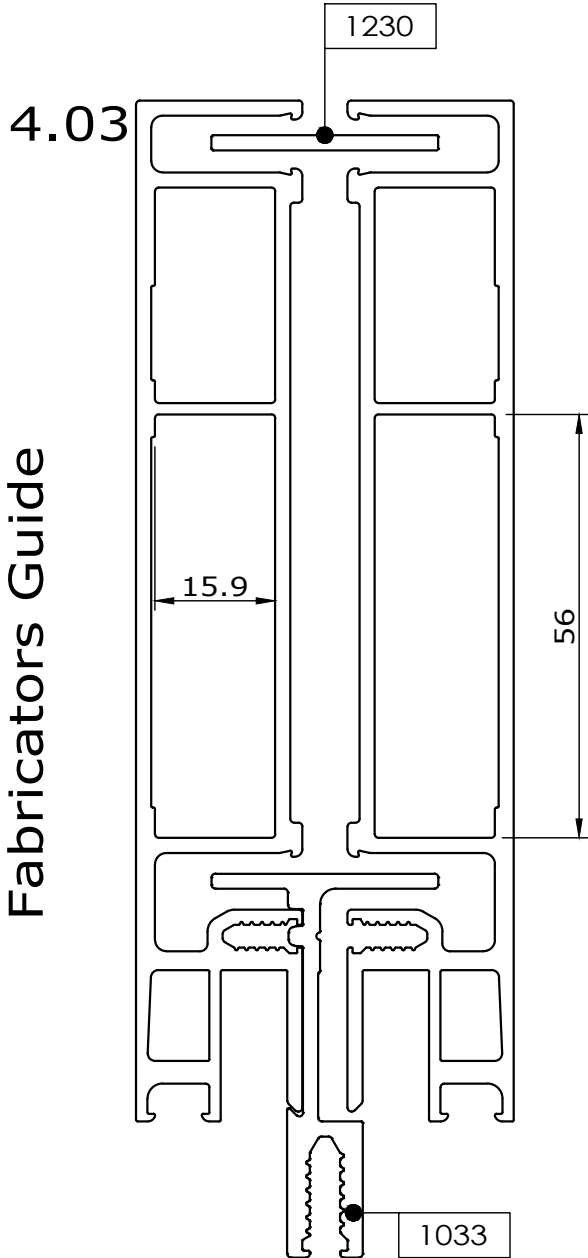
4

Comar 6EFT

Split mullions



Fabricators Guide



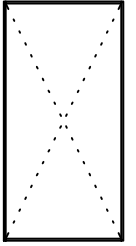
Copyright and ownership of this drawing is vested in EFT, Euro Facade Systems Ltd, whose prior written consent is required for its use, reproduction or for publication to any third party. All other rights reserved. Subject to modifications.

Copyright and ownership of this drawing is vested in EFT, Euro Facade Systems Ltd, whose prior written consent is required for its use, reproduction or for publication to any third party. All other rights reserved. Subject to modifications.

Mullion sleeves

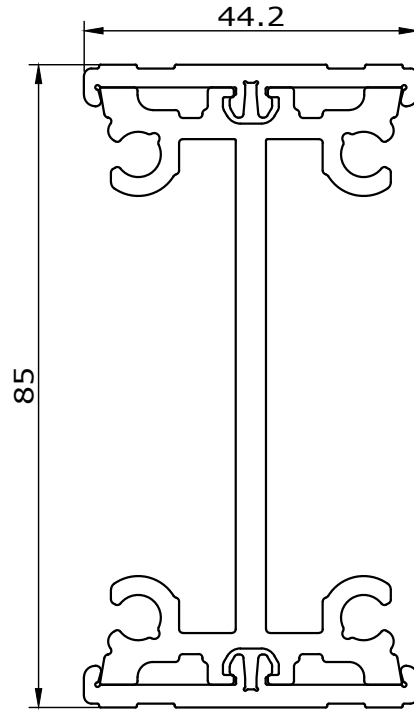
4 Profile sections

Comar 6EFT



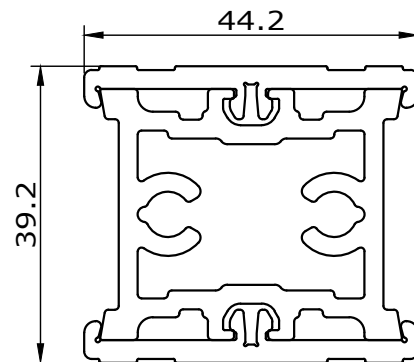
4.04

1368



1281

1366



1281

Fabricators Guide

Changes reserved
Sous reserve de modifications
Änderungen vorbehalten

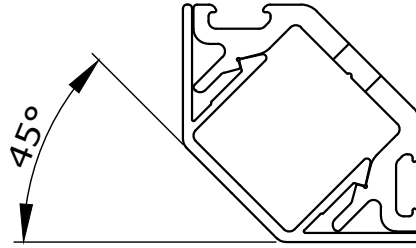
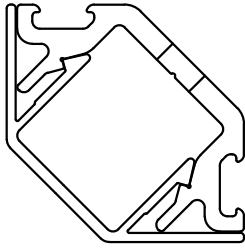
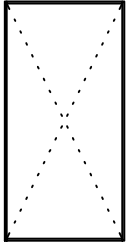
Issue: 05
Date: 10-16

Profile Sections

4

Comar 6EFT

90° Corners



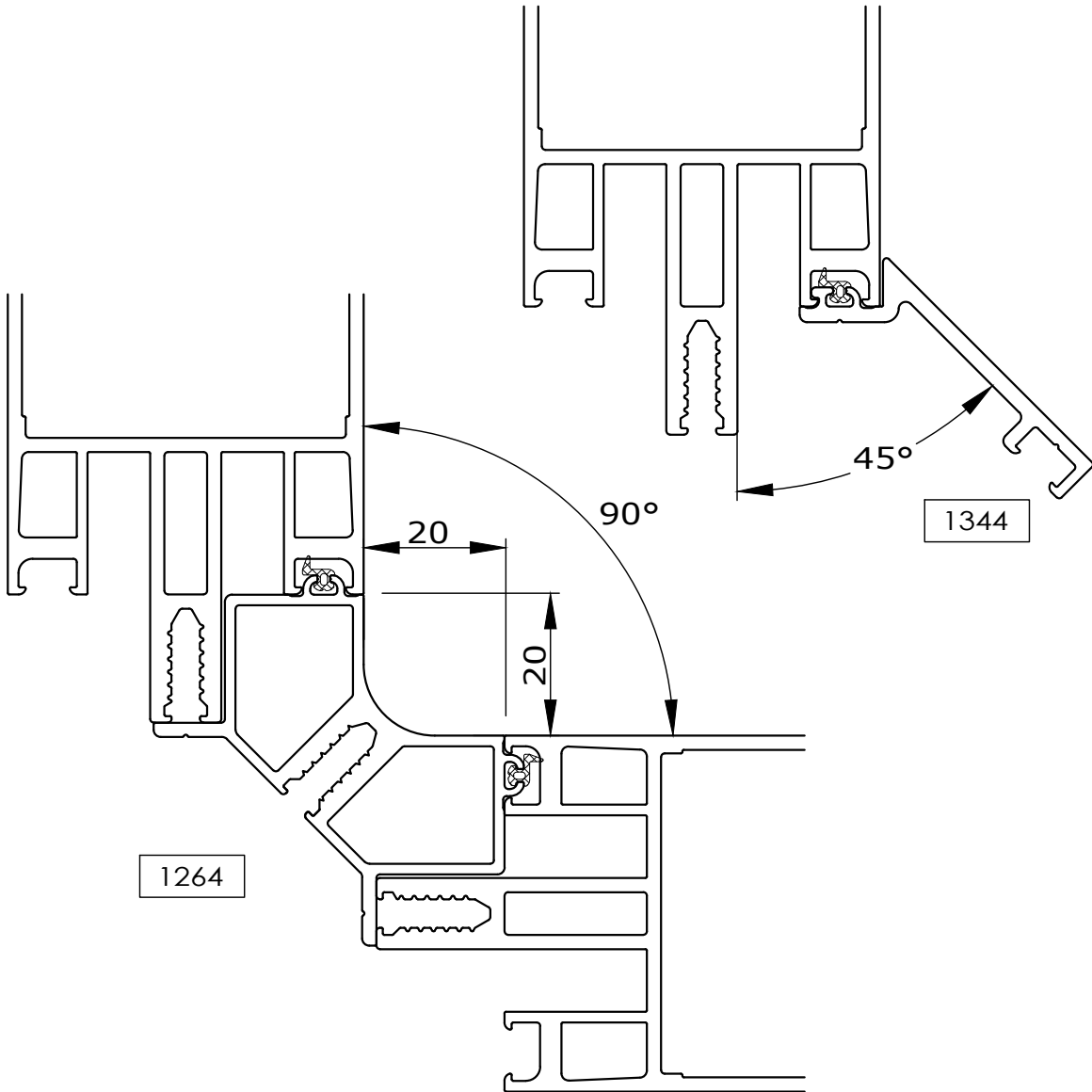
1270

4.05

1210

18

Fabricators Guide



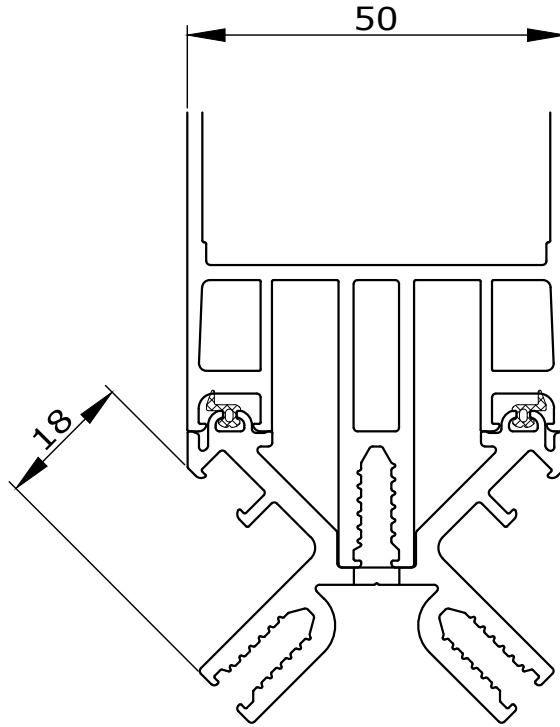
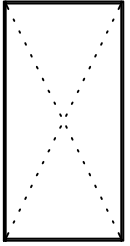
Copyright and ownership of this drawing is vested in EFT, Euro Facade Systems Ltd, whose prior written consent is required for its use, reproduction or for publication to any third party. All other rights reserved. Subject to modifications.

Copyright and ownership of this drawing is vested in EFT, Euro Facade Systems Ltd, whose prior written consent is required for its use, reproduction or for publication to any third party. All other rights reserved.

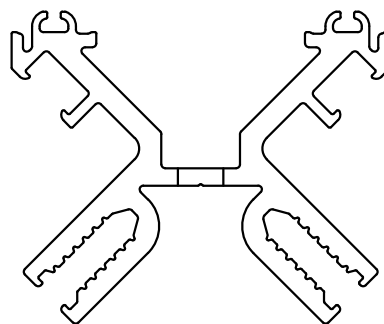
4 Profile sections

Corner mullion adaptor

Comar 6EFT



4.06



1265

Fabricators Guide

Changes reserved
Sous reserve de modifications
Änderungen vorbehalten

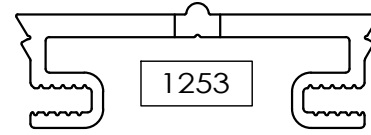
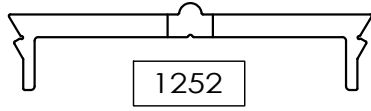
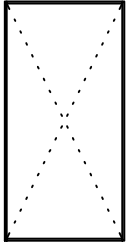
Issue: 05
Date: 10-16

Profile Sections

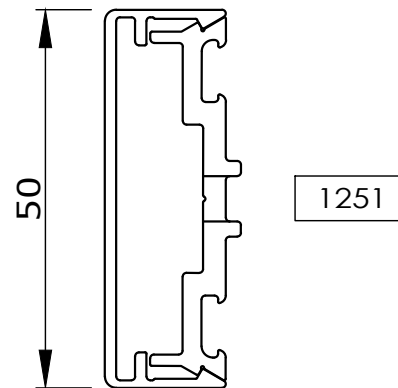
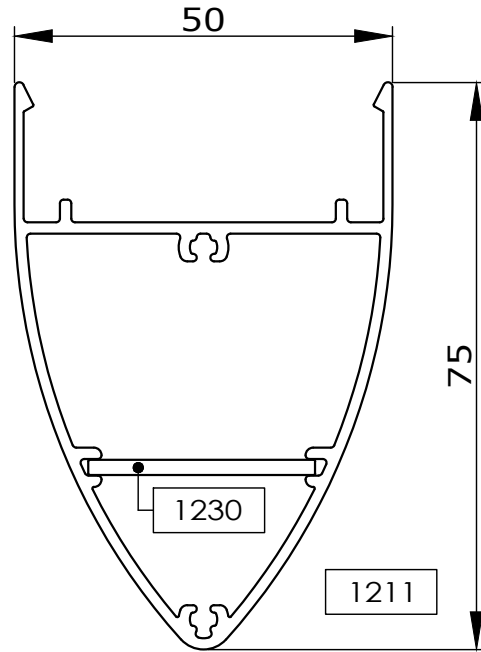
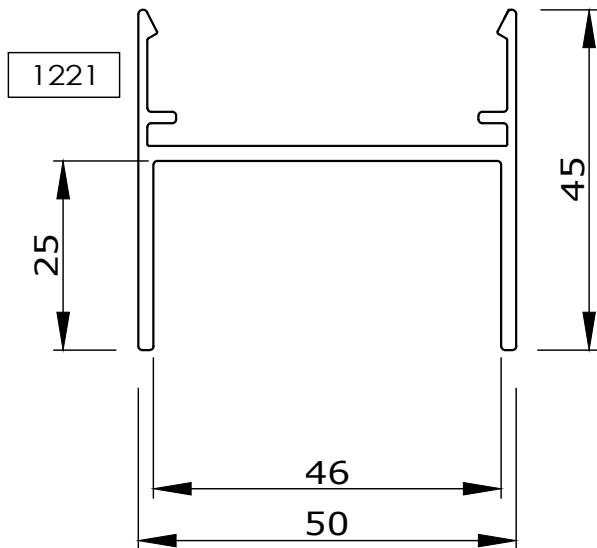
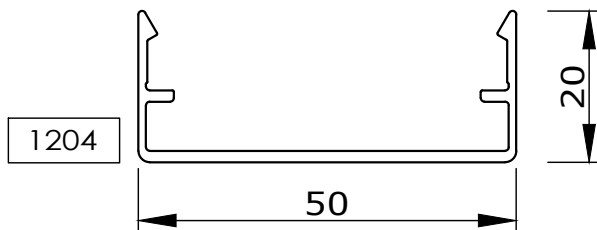
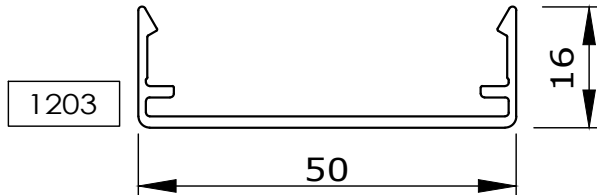
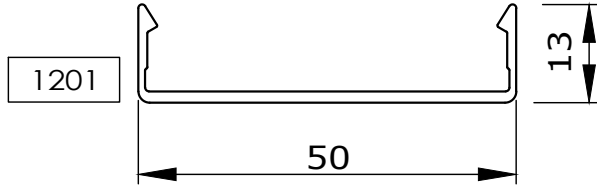
4

Comar 6EFT

Pressure plates & cover caps



4.07



Fabricators Guide

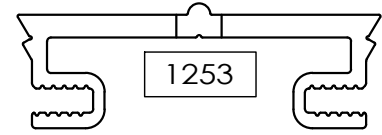
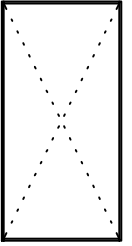
Copyright and ownership of this drawing is vested in EFT, Euro Facade Systems Ltd, whose prior written consent is required for its use, reproduction or for publication to any third party. All other rights reserved. Subject to modifications.

4

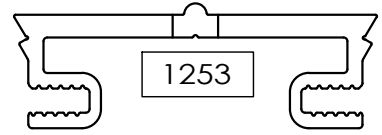
Profile sections

Pressure plates & cover caps

Comar 6EFT



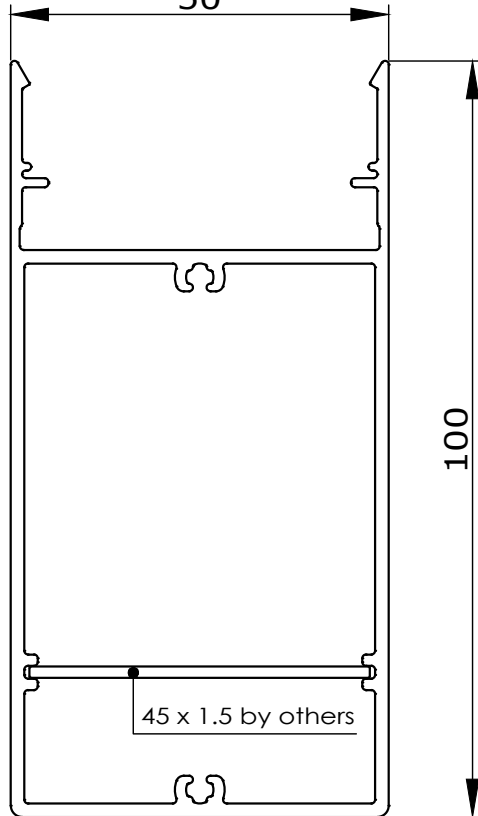
1253



1253

50

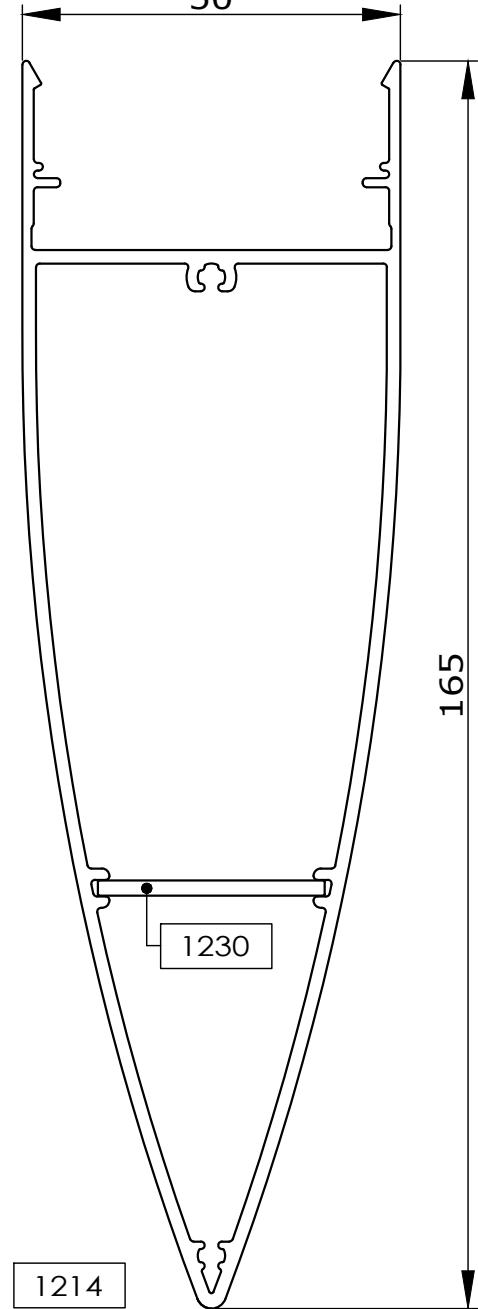
50



1213

100

45 x 1.5 by others



1214

4.08

165

1230

Fabricators Guide

Copyright and ownership of this drawing is vested in EFT, Euro Facade Systems Ltd, whose prior written consent is required for its use, reproduction or for publication to any third party. All other rights reserved.

Changes reserved
 Sous reserve de modifications
 Änderungen vorbehalten

Issue: 05
 Date: 10-16

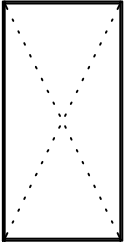


Profile Sections

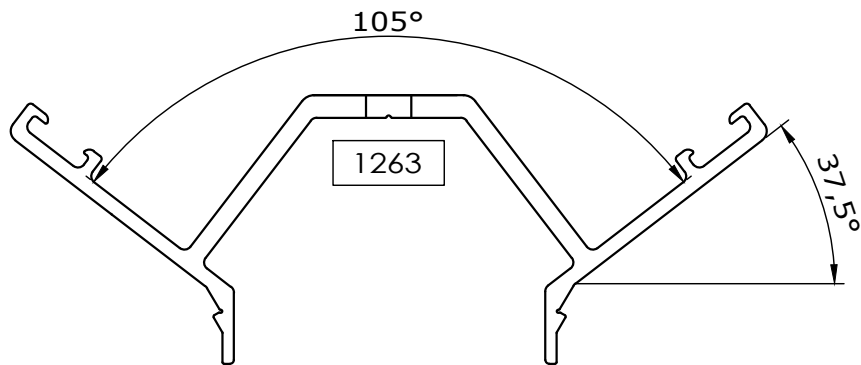
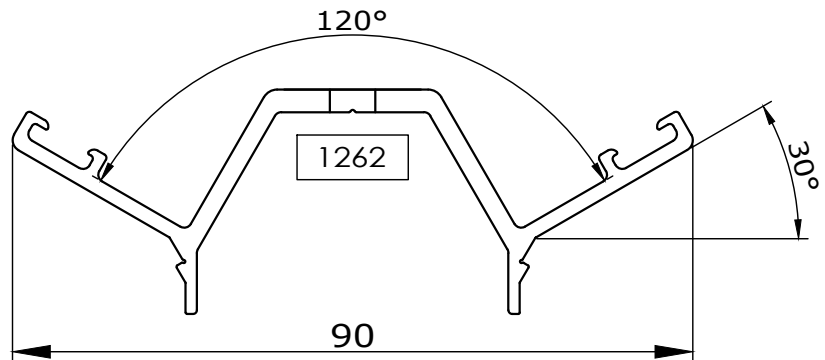
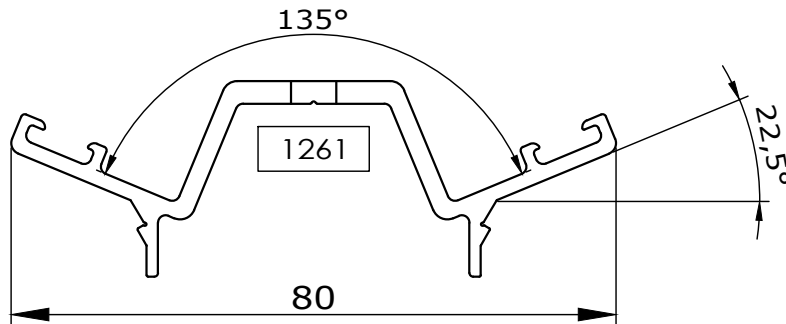
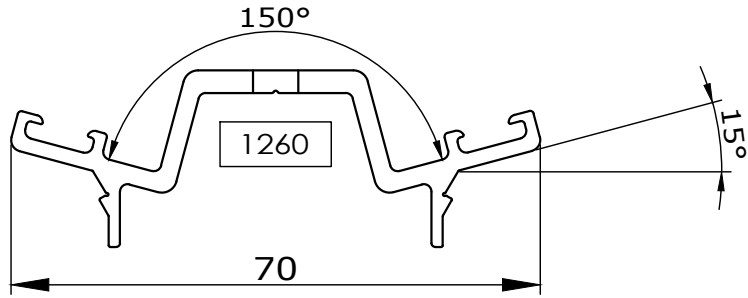
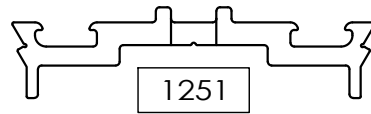
4

Comar 6EFT

Facetted pessure plates



4.09



Copyright and ownership of this drawing is vested in EFT, Euro Facade Systems Ltd, whose prior written consent is required for its use, reproduction or for publication to any third party. All other rights reserved. Subject to modifications.

Fabricators Guide



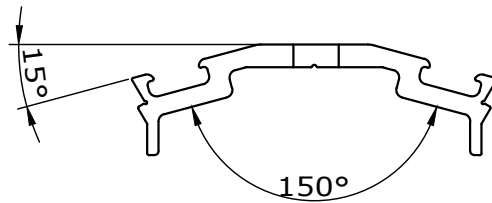
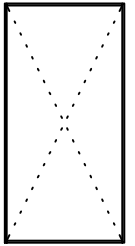
comar
ARCHITECTURAL ALUMINIUM SYSTEMS

Changes reserved
Sous reserve de modifications
Änderungen vorbehalten

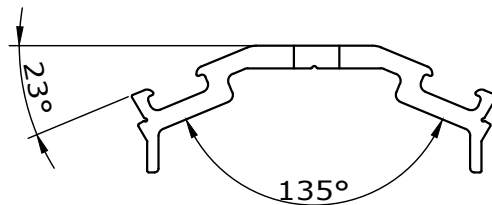
Issue: 05
Date : 10-16

Facetted pressure plates

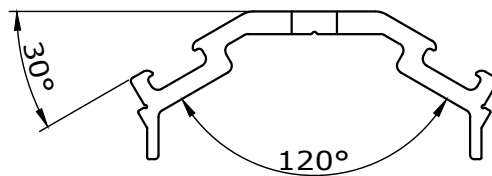
Comar 6EFT



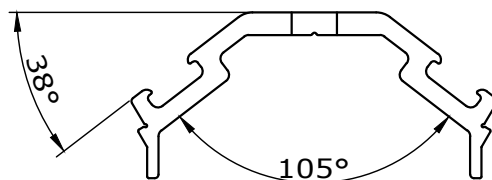
1266



1267



1268



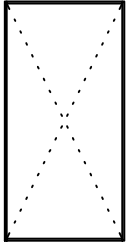
1269

4.10

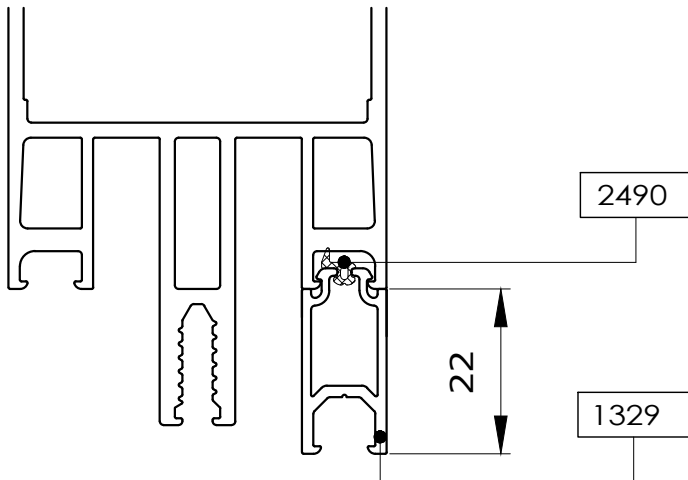
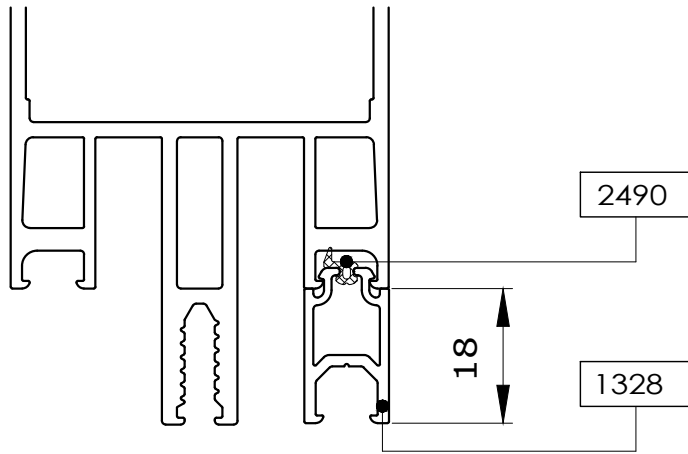
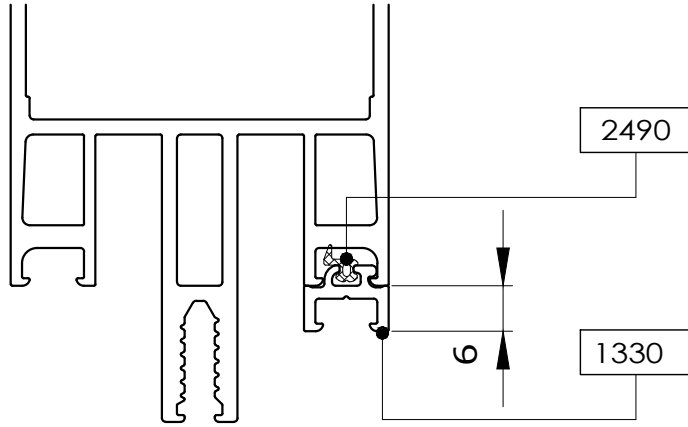
Profile Sections 4

Comar 6EFT

Glazing adaptors



4.11



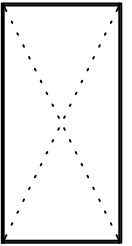
Copyright and ownership of this drawing is vested in EFT, Euro Facade Systems Ltd, whose prior written consent is required for its use, reproduction or for publication to any third party. All other rights reserved. Subject to modifications.

Changes reserved
Sous reserve de modifications
Änderungen vorbehalten

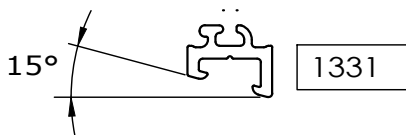
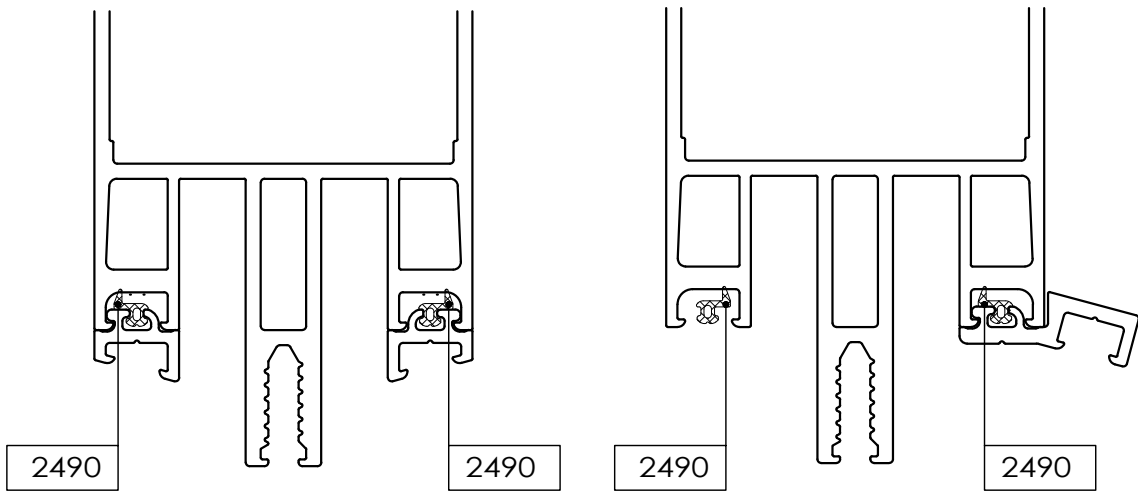
Issue: 05
Date : 10-16

Facetted glazing adaptors

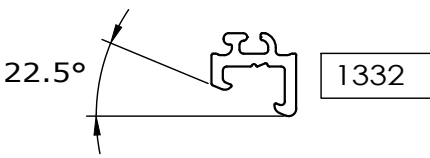
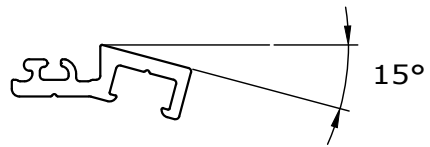
Comar 6EFT



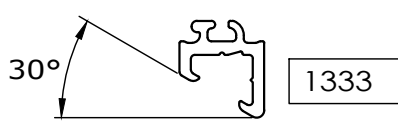
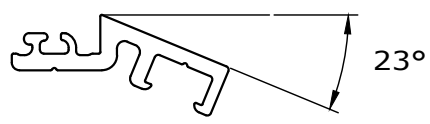
4.12



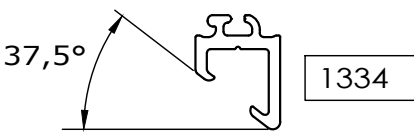
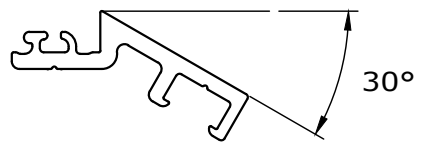
1336



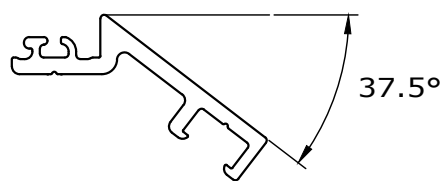
1337



1338



1339



Copyright and ownership of this drawing is vested in EFT, Euro Facade Systems Ltd, whose prior written consent is required for its use, reproduction or for publication to any third party. All other rights reserved. Subject to modifications.

Changes reserved
 Sous reserve de modifications
 Änderungen vorbehalten

Issue: 05
 Date: 10-16

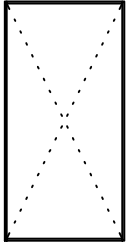


Profile Sections

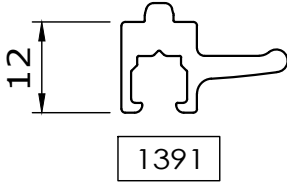
4

Comar 6EFT

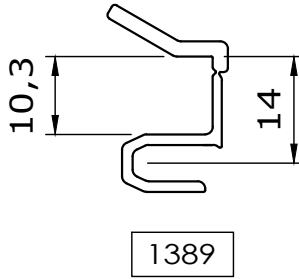
Clamps, inserts & glass setting blocks



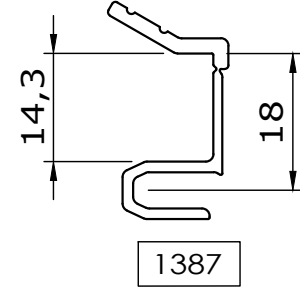
4.13



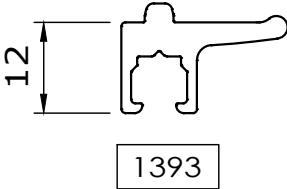
1391



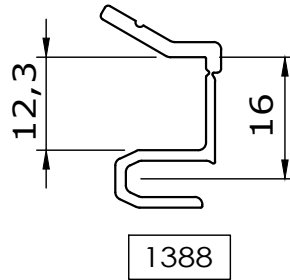
1389



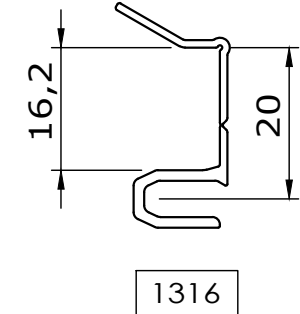
1387



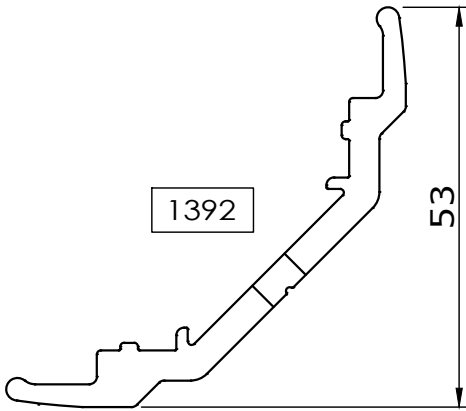
1393



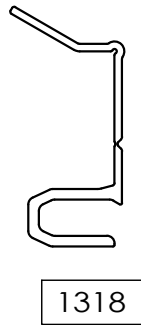
1388



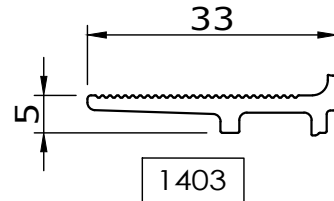
1316



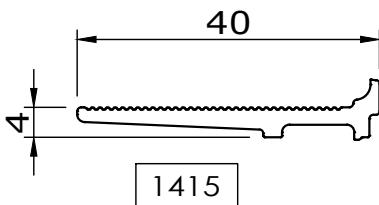
1392



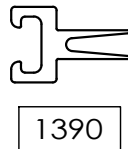
1318



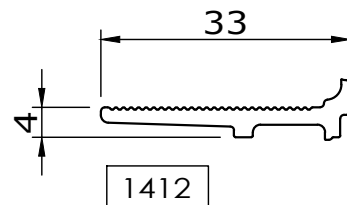
1403



1415



1390



1412

Copyright and ownership of this drawing is vested in EFT, Euro Facade Systems Ltd, whose prior written consent is required for its use, reproduction or for publication to any third party. All other rights reserved. Subject to modifications.

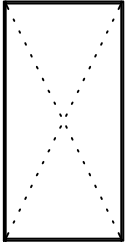
Fabricators Guide

Copyright and ownership of this drawing is vested in EFT, Euro Facade Systems Ltd, whose prior written consent is required for its use, reproduction or for publication to any third party. All other rights reserved. Subject to modifications.

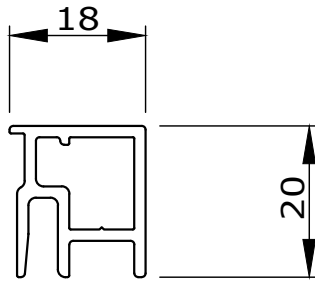
4 Profile sections

Single glazing & panel frames

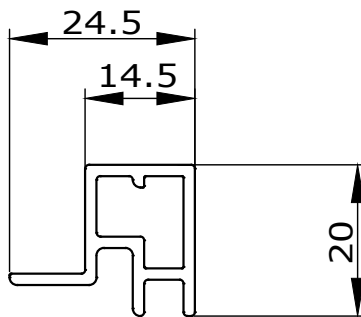
Comar 6EFT



4.14



1335



1346

Changes reserved
Sous reserve de modifications
Änderungen vorbehalten

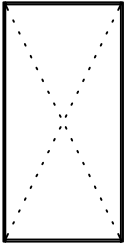
Issue: 05
Date: 10-16

Profile Sections

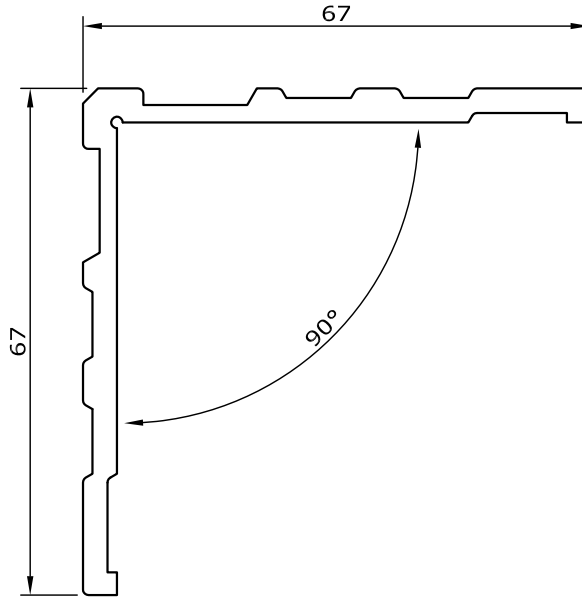
4

Comar 6EFT

Crimping cleats

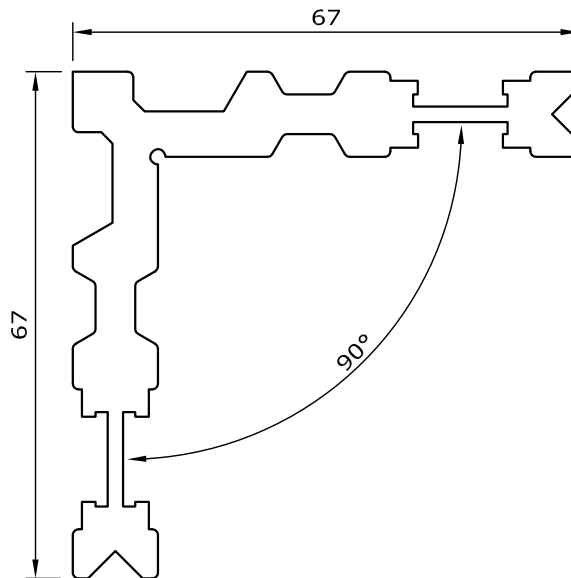


1431 - Corner cleat - 4.5 mm



4.15

CS246 - Corner cleat - 11.8 mm



Fabricators Guide

Copyright and ownership of this drawing is vested in EFT, Euro Facade Systems Ltd, whose prior written consent is required for its use, reproduction or for publication to any third party. All other rights reserved. Subject to modifications.



comar

ARCHITECTURAL ALUMINIUM SYSTEMS

Changes reserved
Sous reserve de modifications
Änderungen vorbehalten

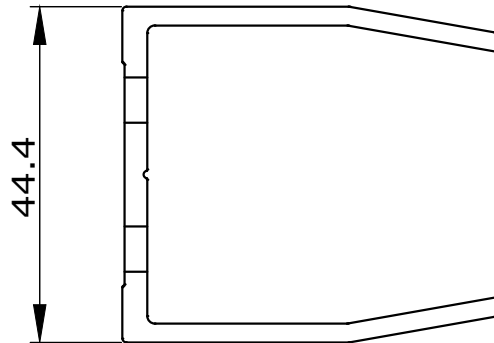
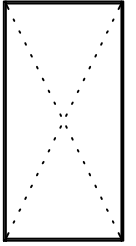
Issue: 05
Date : 01-18

Copyright and ownership of this drawing is vested in EFT,
Euro Facade Systems Ltd, whose prior written consent is required
for its use, reproduction or for publication to any third party.
All other rights reserved. Subject to modifications.

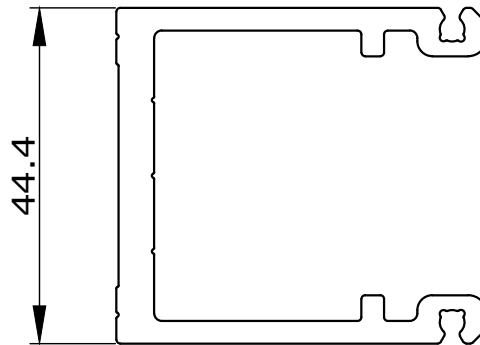
Cleats

4 Profiles sections

Comar 6EFT



1300



1305

4.16

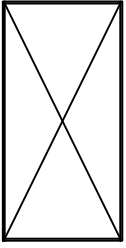
Fabricators Guide

Changes reserved
Sous reserve de modifications
Änderungen vorbehalten

Issue: 05
Date: 10-16

Comar 6EFT

Future Additions



4.17 - 4.99

Fabricators Guide

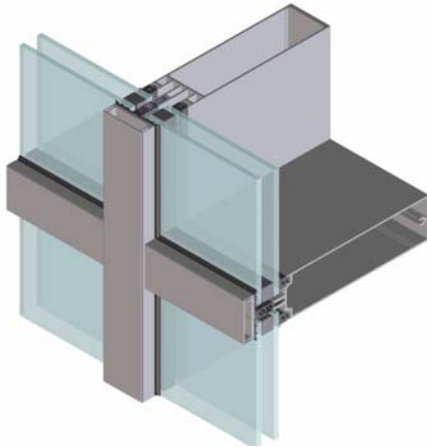
FUTURE
ADDITION

Copyright and ownership of this drawing is vested in EFT,
Euro Facade Systems Ltd, whose prior written consent is required
for its use, reproduction or for publication to any third party.
All other rights reserved. Subject to modifications.

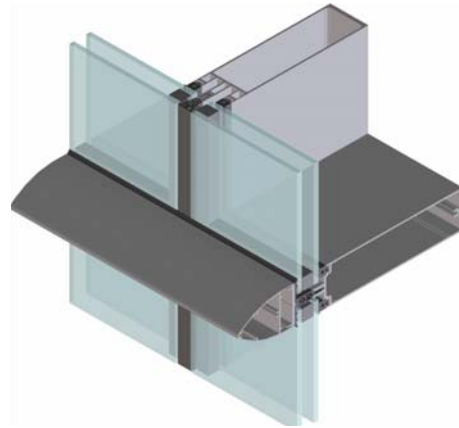
Copyright and ownership of this drawing is vested in EFT, Euro Facade Systems Ltd, whose prior written consent is required for its use, reproduction or for publication to any third party. All other rights reserved. Subject to modifications.

5

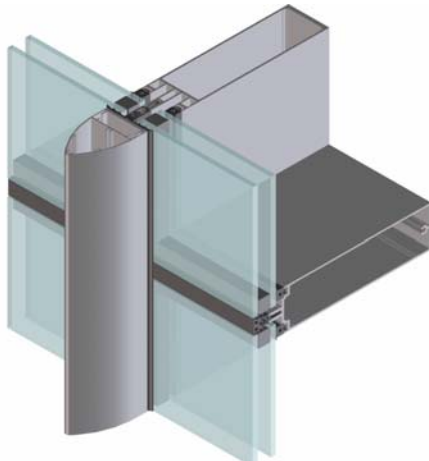
Integration
Comar 6EFT



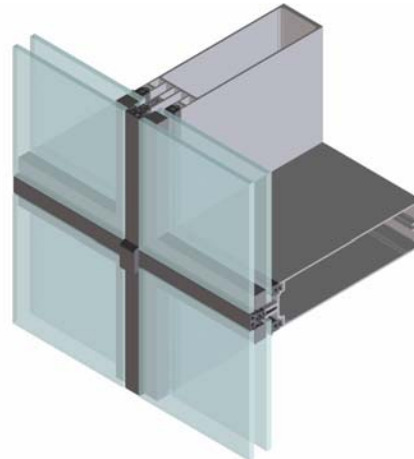
Capped



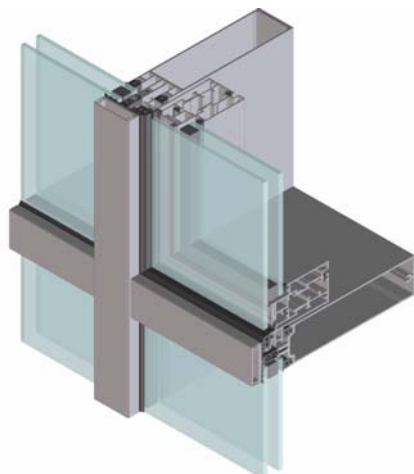
2 sided SGH



2 sided SGV



4 sided SG



Concealed

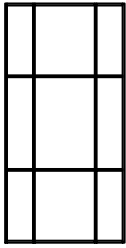
Fabricators Guide

Changes reserved
Sous reserve de modifications
Änderungen vorbehalten

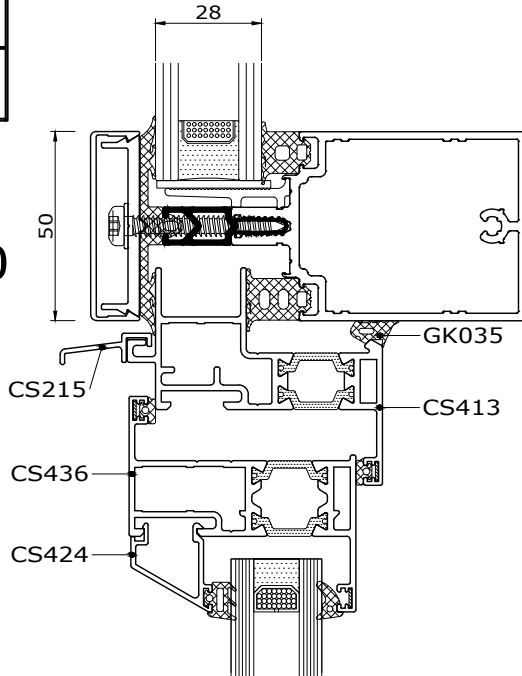
Issue: 05
Date: 10 -16

Comar 6EFT

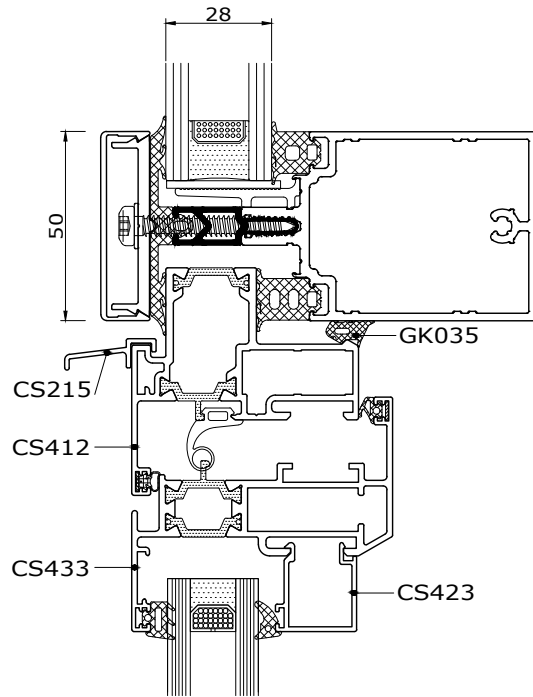
Comar 5Pi window system inserted into EFT



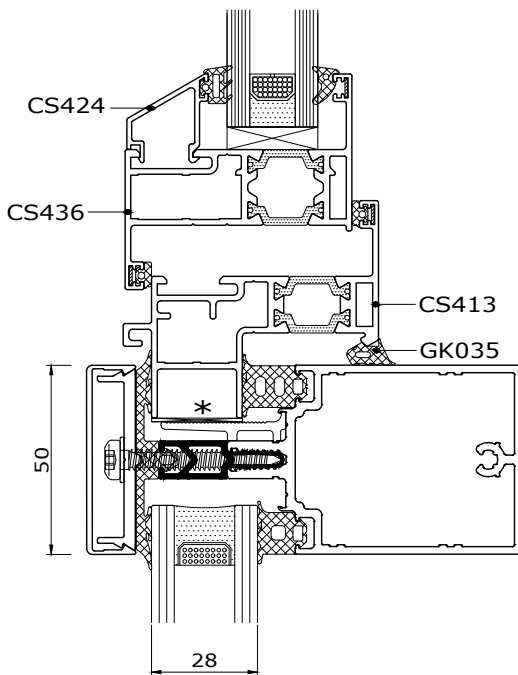
5.00



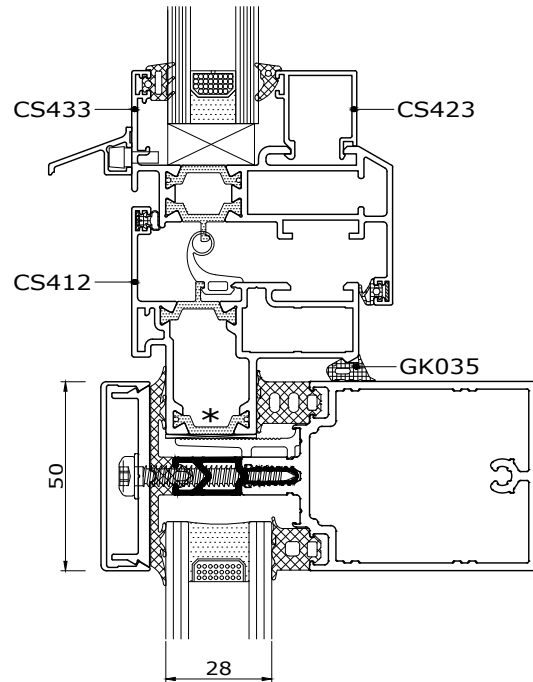
OPEN OUT CASEMENT VENT,
TOP / SIDE PROJECT / HUNG.
5Pi 60mm WINDOW SYSTEM
EXTERNALLY BEADED



TILT TURN / BOTTOM HUNG, OPEN IN.
5Pi 60mm WINDOW SYSTEM
INTERNALLY BEADED



* 1mm packer with
glazing shelf 2305 & 2306.



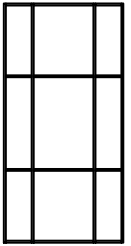
Copyright and ownership of this drawing is vested in EFT,
Euro Facade Systems Ltd, whose prior written consent is required
for its use, reproduction or for publication to any third party.
All other rights reserved. Subject to modifications.



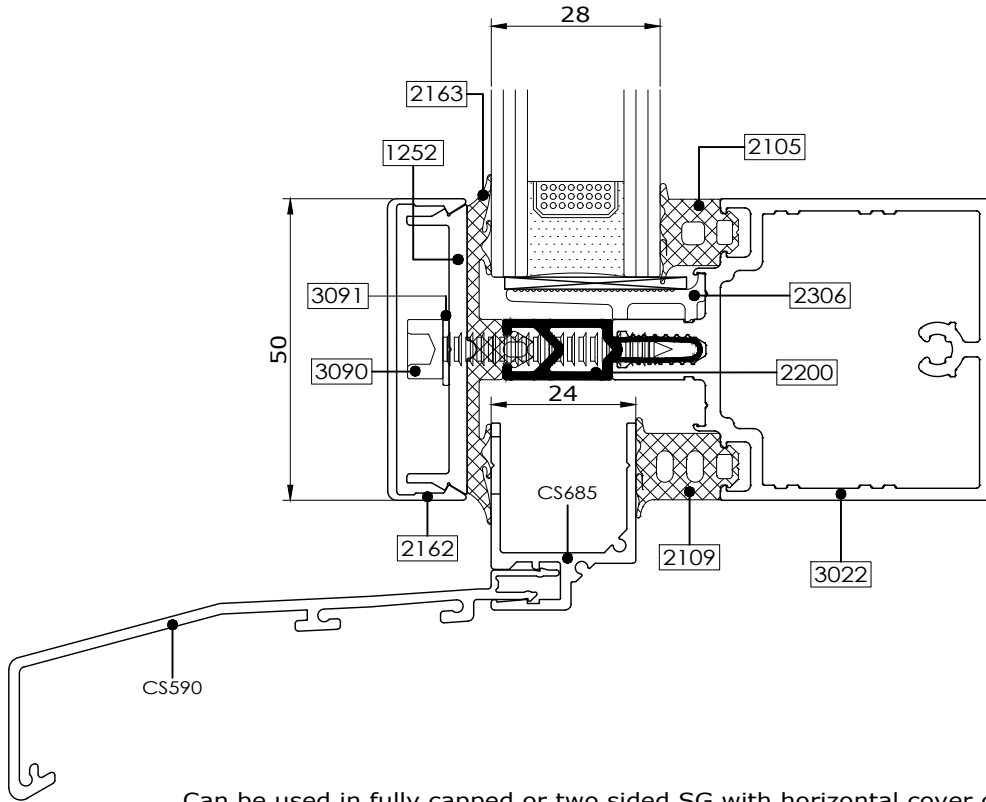
Copyright and ownership of this drawing is vested in EFT, Euro Facade Systems Ltd, whose prior written consent is required for its use, reproduction or for publication to any third party. All other rights reserved. Subject to modifications.

5

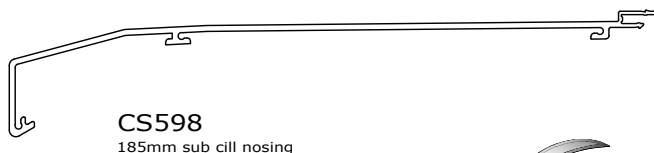
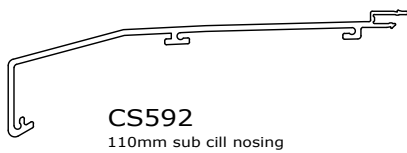
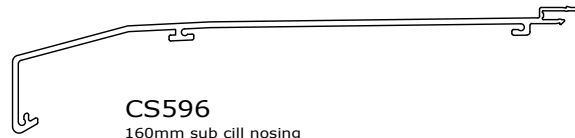
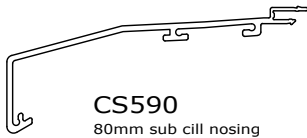
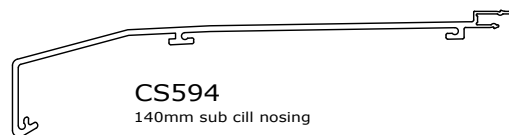
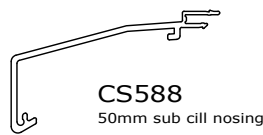
Integration
Comar 6EFT



5.01



Can be used in fully capped or two sided SG with horizontal cover caps



Fabricators Guide

Changes reserved
Sous reserve de modifications
Änderungen vorbehalten

Issue: 05
Date: 03-16

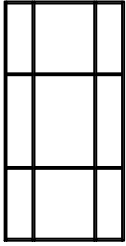


Integration

5

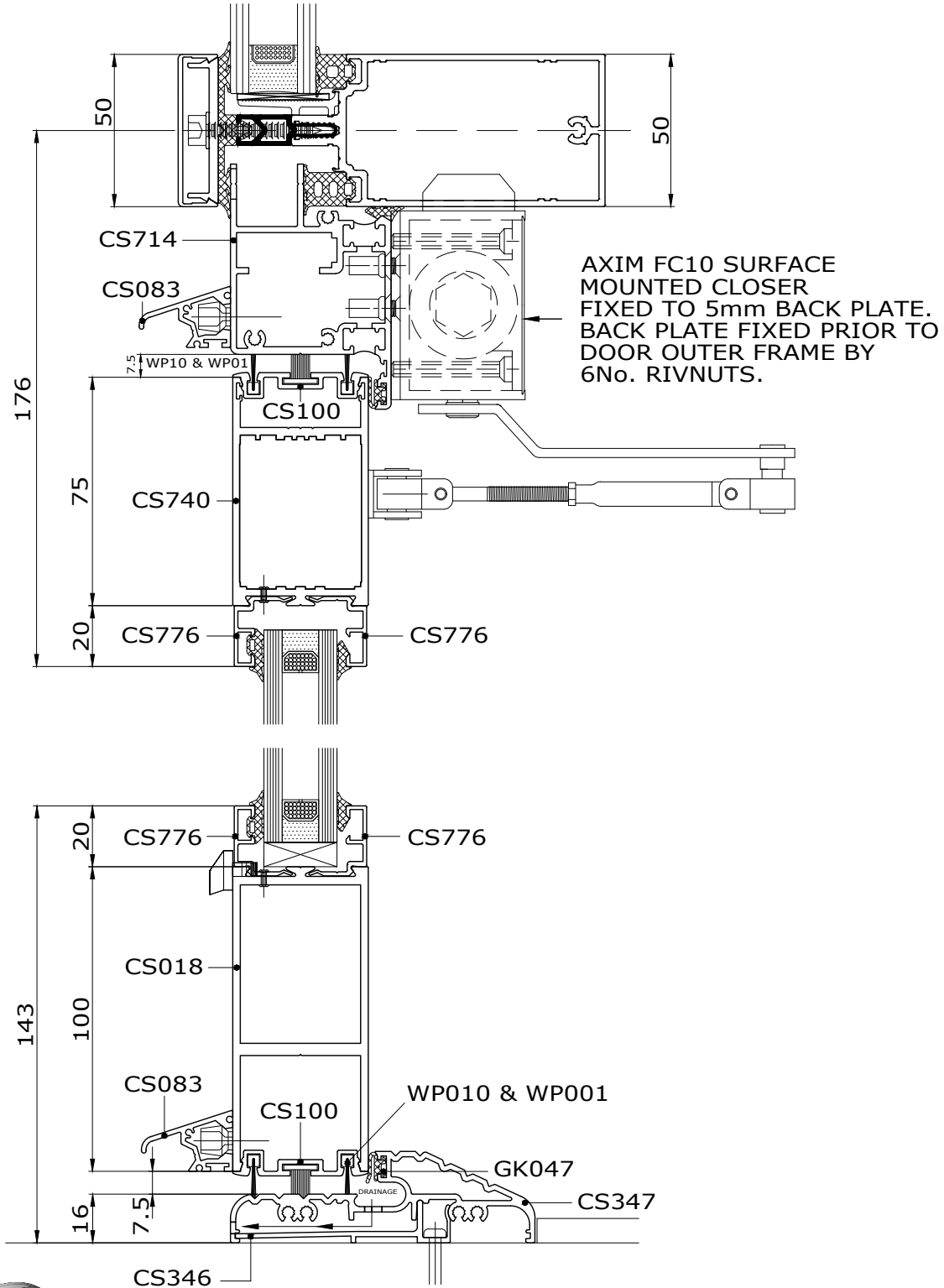
Comar 6EFT

Comar 7 tempest door into EFT



5.02

Fabricators Guide

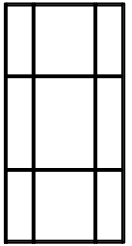


SECTION A-A

Copyright and ownership of this drawing is vested in EFT, Euro Facade Systems Ltd, whose prior written consent is required for its use, reproduction or for publication to any third party. All other rights reserved. Subject to modifications.



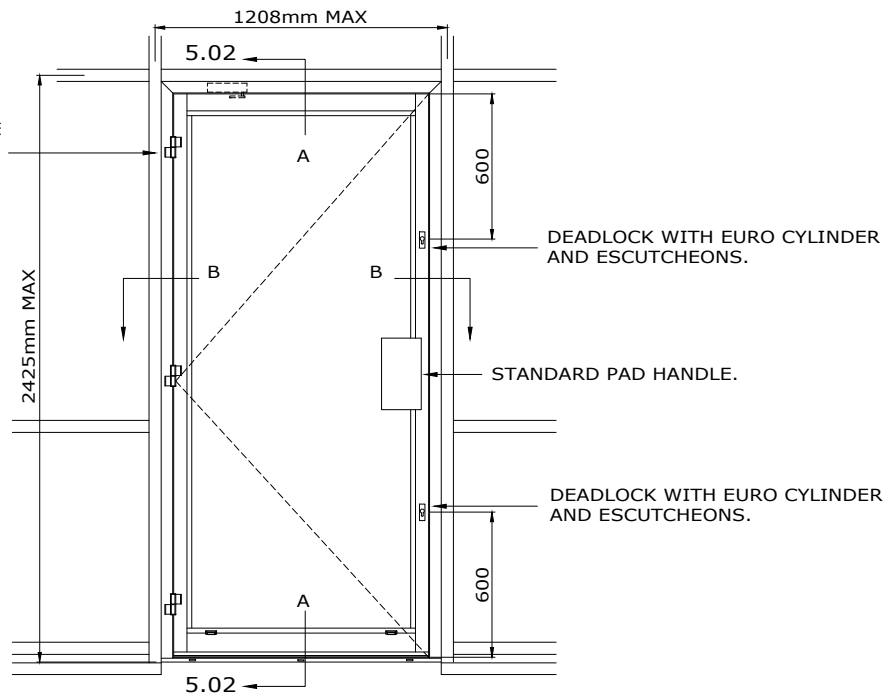
Comar 7 tempest door into EFT



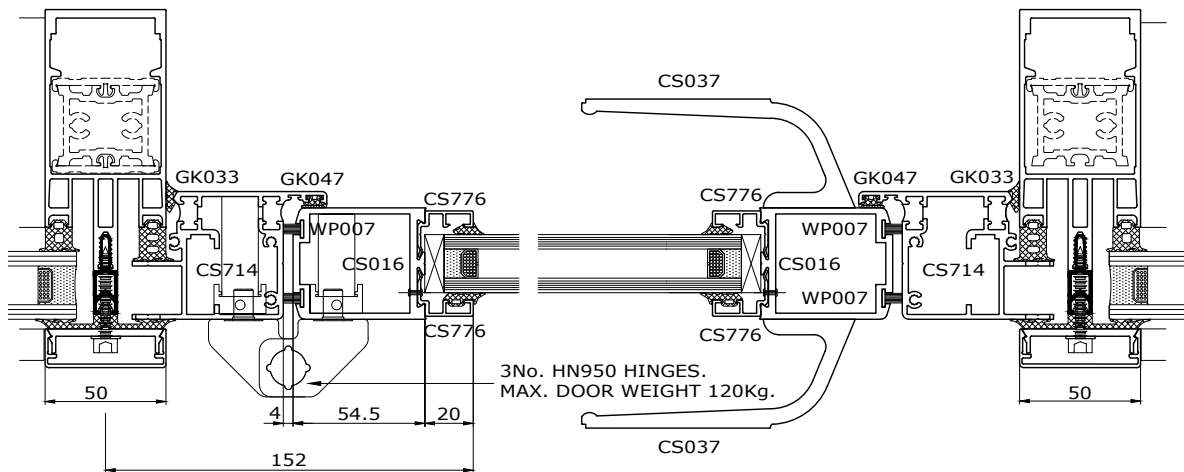
5.03

Copyright and ownership of this drawing is vested in EFT, Euro Facade Systems Ltd, whose prior written consent is required for its use, reproduction or for publication to any third party. All other rights reserved. Subject to modifications.

NUMBER OF HINGES DEPENDANT ON SIZE DOOR AND GLAZING WEIGHT.



EXTERNAL ELEVATION (COMAR 7 REBATED DOOR)



SECTION B-B

Changes reserved
 Sous reserve de modifications
 Änderungen vorbehalten

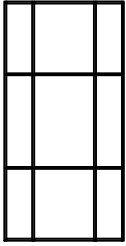
Issue: 05
 Date: 10 -16

Integration

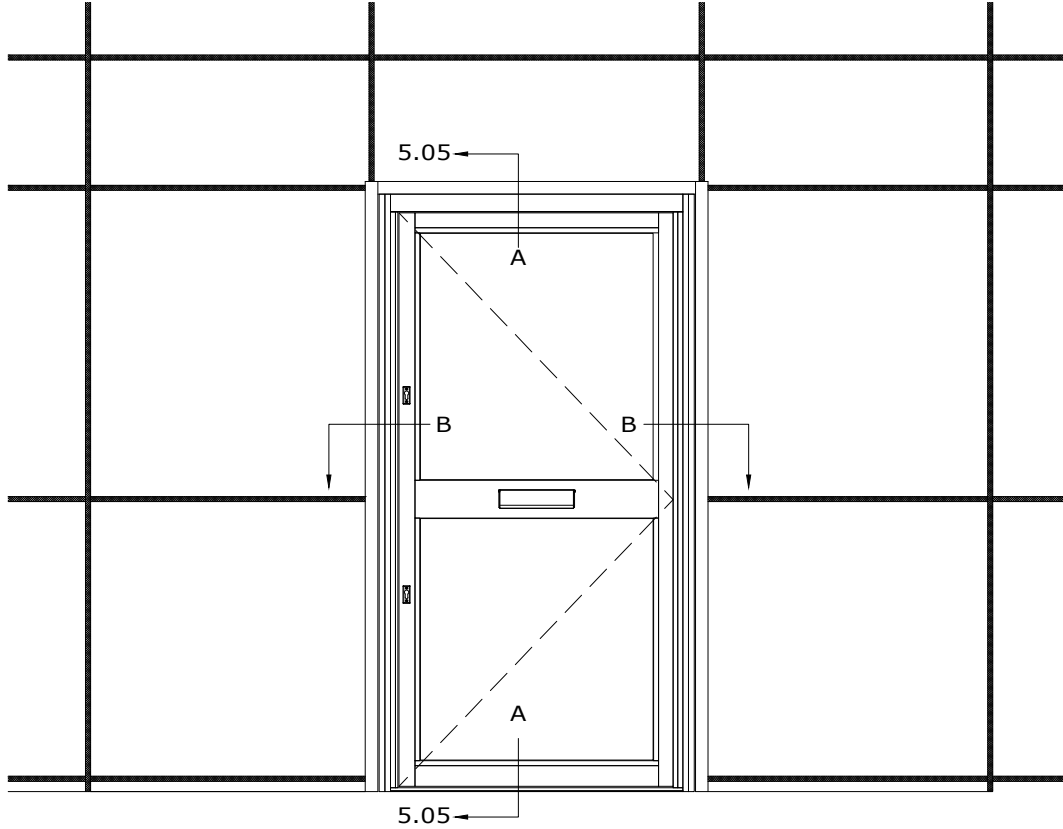
5

Comar 6EFT

Comar 7 Pi CD Door
Comar 6 EFT (4 sided SG)



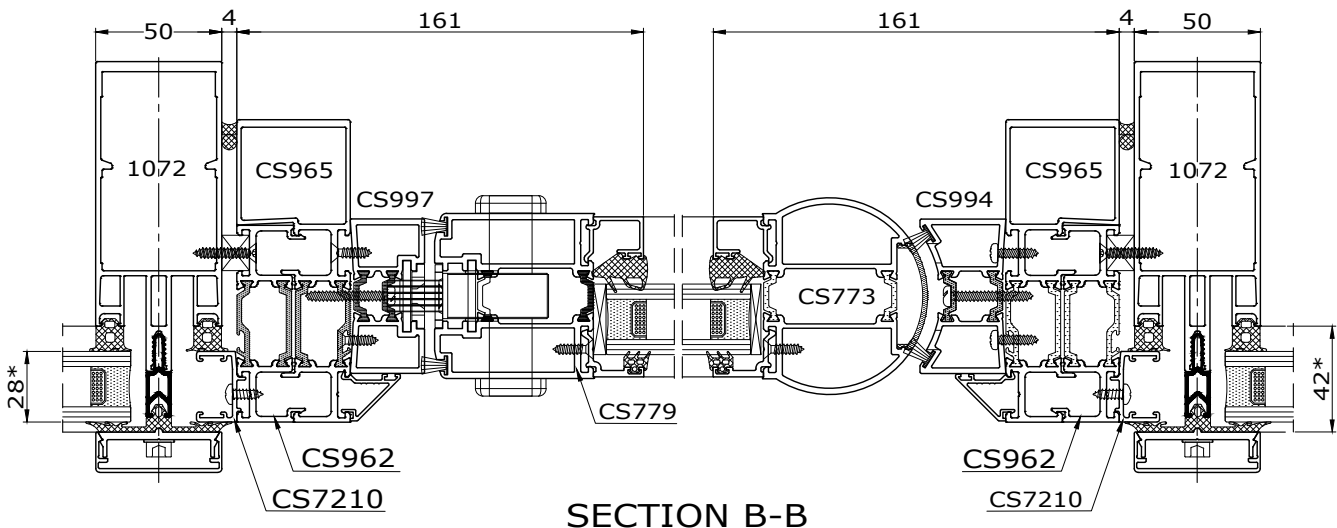
5.04



EXTERNAL ELEVATION (COMAR 7Pi COMMERCIAL DOOR)

Copyright and ownership of this drawing is vested in EFT, Euro Facade Systems Ltd, whose prior written consent is required for its use, reproduction or for publication to any third party. All other rights reserved. Subject to modifications.

Fabricators Guide



SECTION B-B

* Refer to Glazing Chart for glazing options

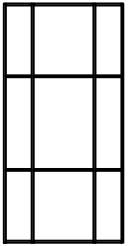


comar
ARCHITECTURAL ALUMINIUM SYSTEMS

Changes reserved
Sous reserve de modifications
Änderungen vorbehalten

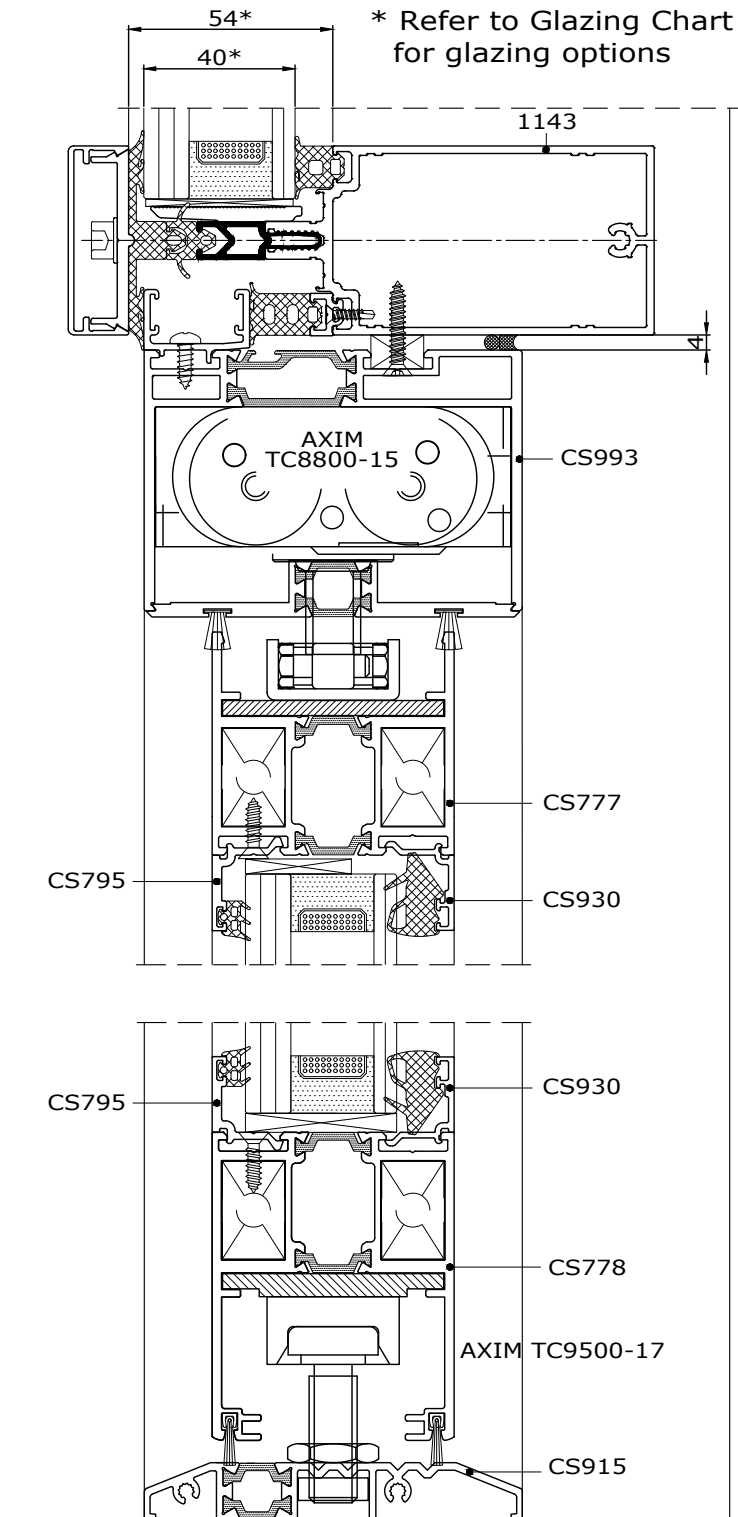
Issue: 05
Date: 10 -16

Comar 7Pi CD Door
Comar 6 EFT



5.05

Copyright and ownership of this drawing is vested in EFT, Euro Facade Systems Ltd, whose prior written consent is required for its use, reproduction or for publication to any third party. All other rights reserved. Subject to modifications.



SECTION A-A

Changes reserved
Sous reserve de modifications
Änderungen vorbehalten

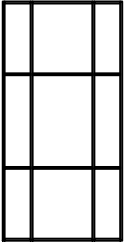
Issue: 05
Date: 10 -16

Integration

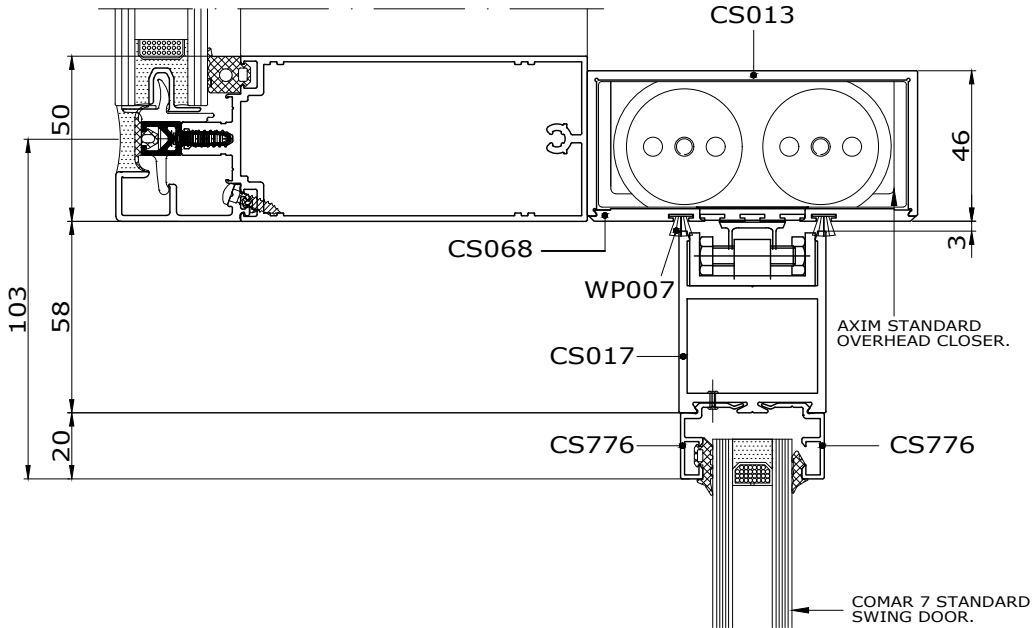
5

Comar 6EFT

Comar 7 door into Comar 6 EFT (4 sided SG)

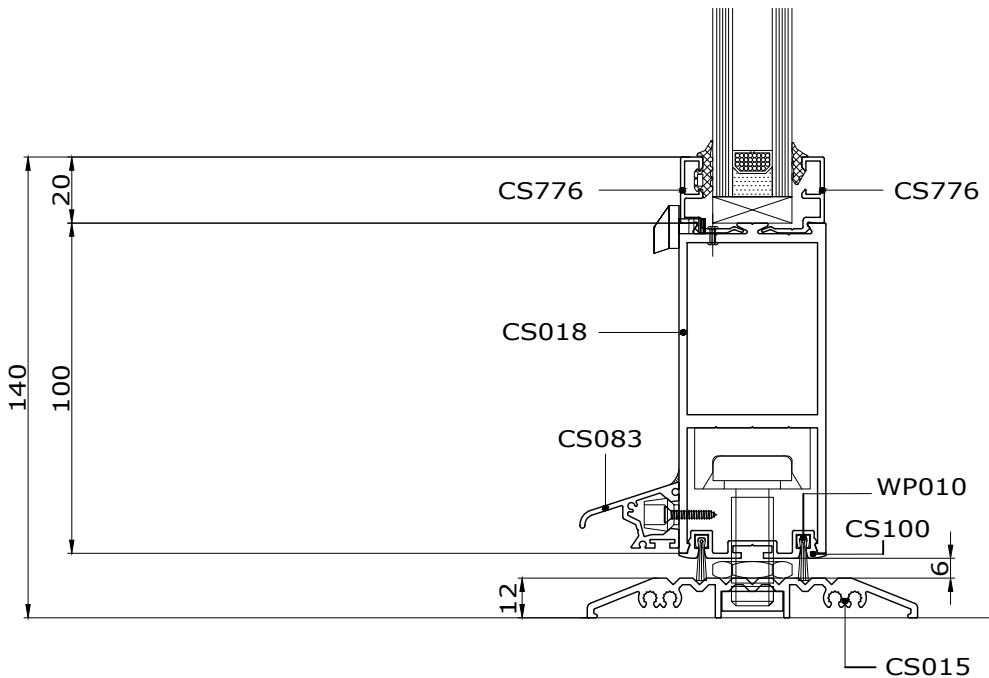


5.06



Copyright and ownership of this drawing is vested in EFT, Euro Facade Systems Ltd, whose prior written consent is required for its use, reproduction or for publication to any third party. All other rights reserved. Subject to modifications.

Fabricators Guide



SECTION A-A

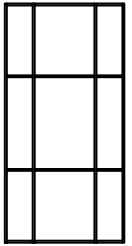
Copyright and ownership of this drawing is vested in EFT, Euro Facade Systems Ltd, whose prior written consent is required for its use, reproduction or for publication to any third party. All other rights reserved. Subject to modifications.

5

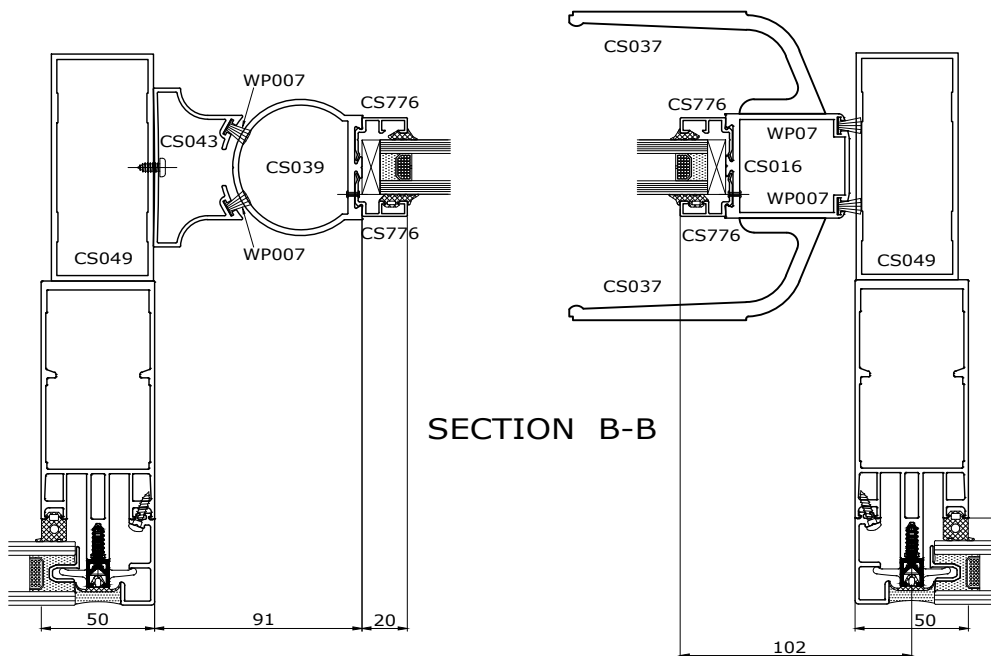
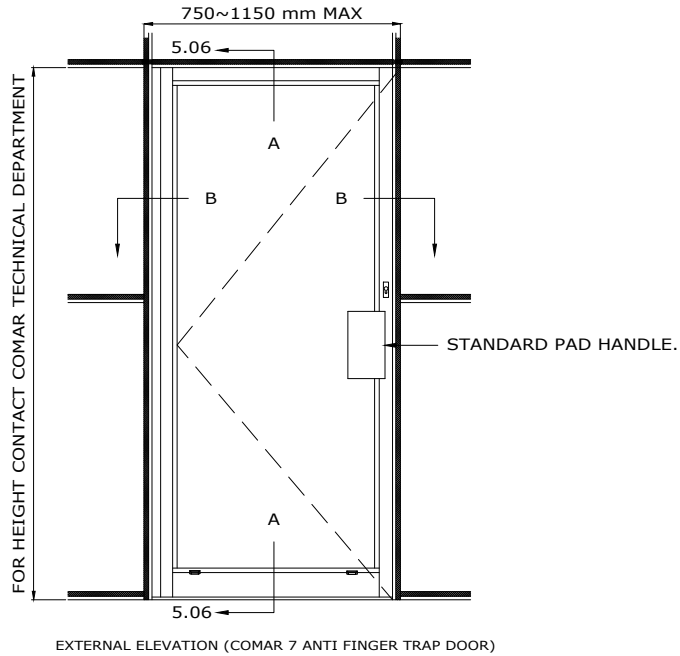
Integration

Comar 7 door anti -finger
Comar 6 EFT (4 sided SG)

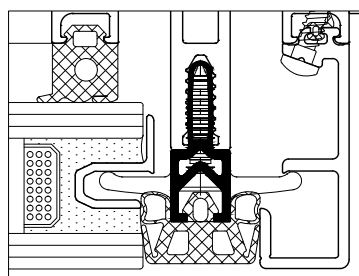
Comar 6EFT



5.07



Gasket seals are also available



Changes reserved
Sous reserve de modifications
Änderungen vorbehalten

Issue: 05
Date: 10 -16

Fabricators Guide

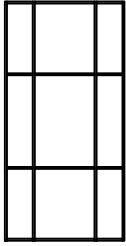


Integration

5

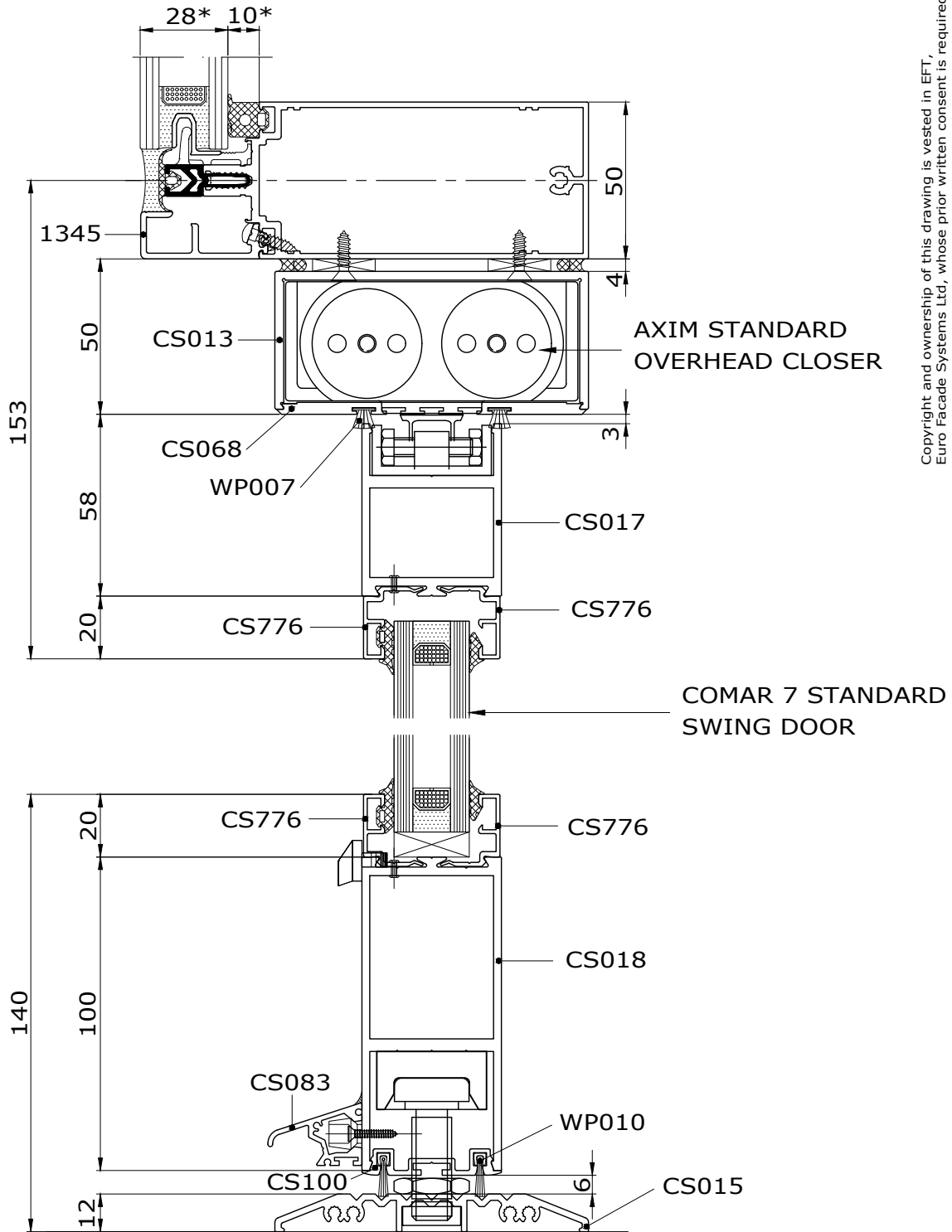
Comar 6EFT

Comar 7 into Comar 6 EFT (4 sided SG)



5.08

Fabricators Guide



Copyright and ownership of this drawing is vested in EFT, Euro Facade Systems Ltd, whose prior written consent is required for its use, reproduction or for publication to any third party. All other rights reserved. Subject to modifications.

SECTION A-A

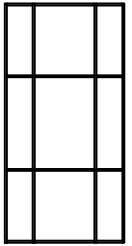
Copyright and ownership of this drawing is vested in EFT, Euro Facade Systems Ltd, whose prior written consent is required for its use, reproduction or for publication to any third party. All other rights reserved. Subject to modifications.

5

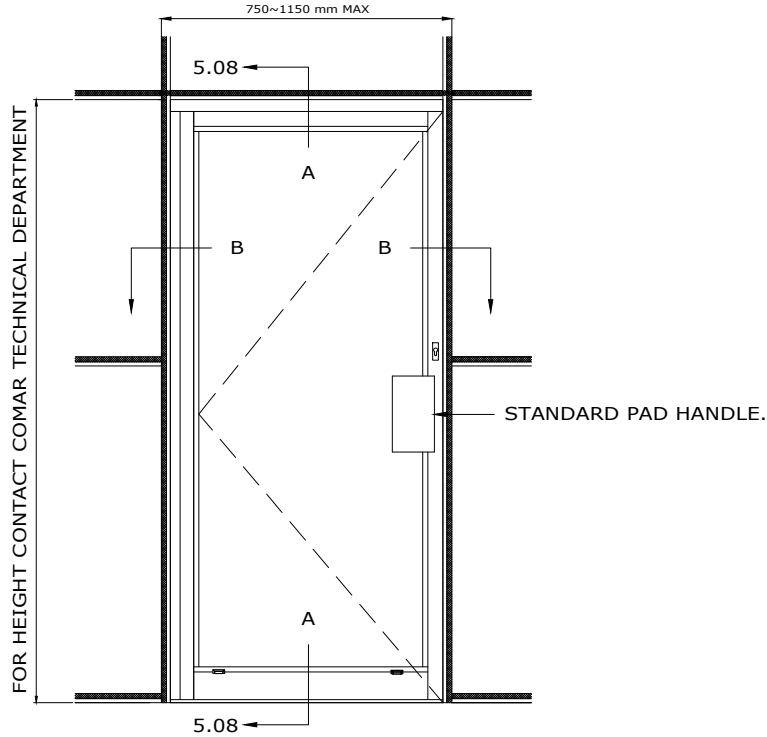
Integration

Comar 6EFT

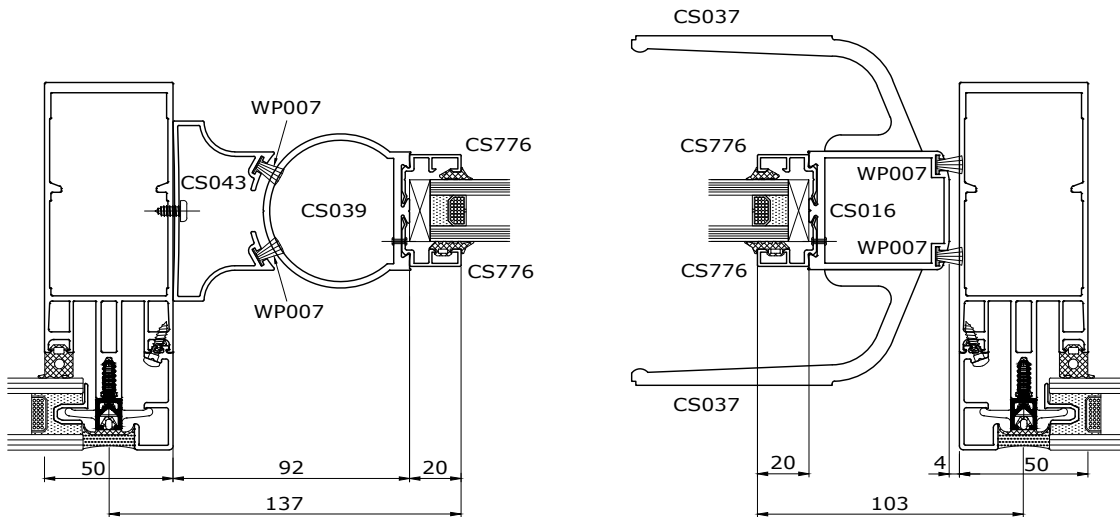
Comar 7 door into Comar 6 EFT (4 sided SG)



5.09

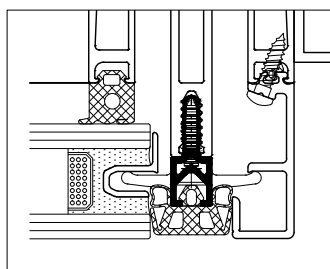


EXTERNAL ELEVATION (COMAR 7 ANTI FINGER TRAP DOOR)



SECTION B-B

Gasket seals are also available



Changes reserved
 Sous reserve de modifications
 Änderungen vorbehalten

Issue: 05
 Date: 10 -16

Fabricators Guide

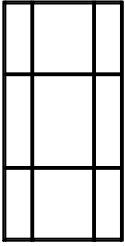


Integration

5

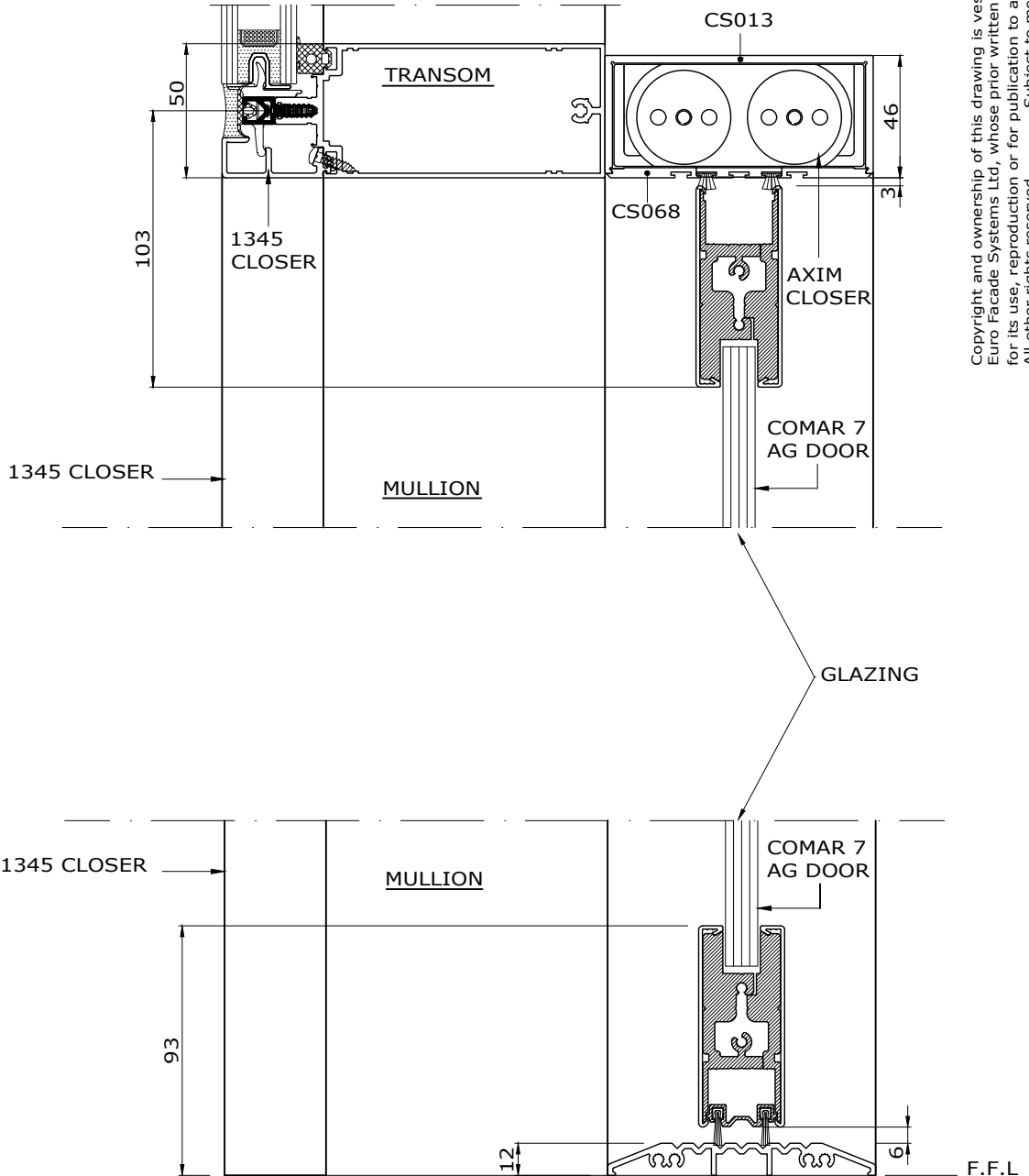
Comar 6EFT

Comar 7 AG door into Comar 6 EFT (4 sided SG)



5.10

Fabricators Guide



Copyright and ownership of this drawing is vested in EFT, Euro Facade Systems Ltd, whose prior written consent is required for its use, reproduction or for publication to any third party. All other rights reserved. Subject to modifications.

SECTION A-A

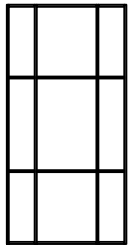
Copyright and ownership of this drawing is vested in EFT, Euro Facade Systems Ltd, whose prior written consent is required for its use, reproduction or for publication to any third party. All other rights reserved. Subject to modifications.

5

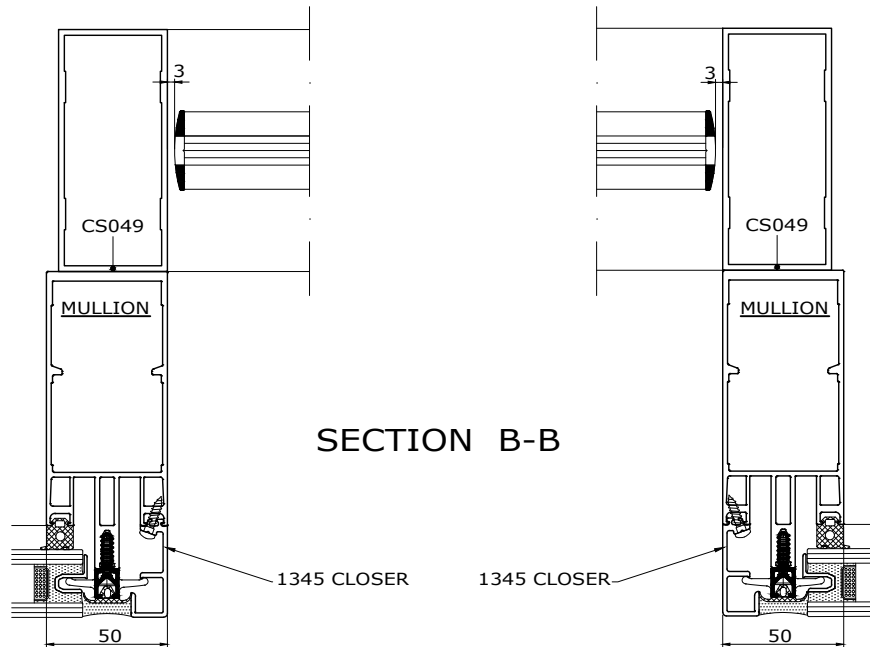
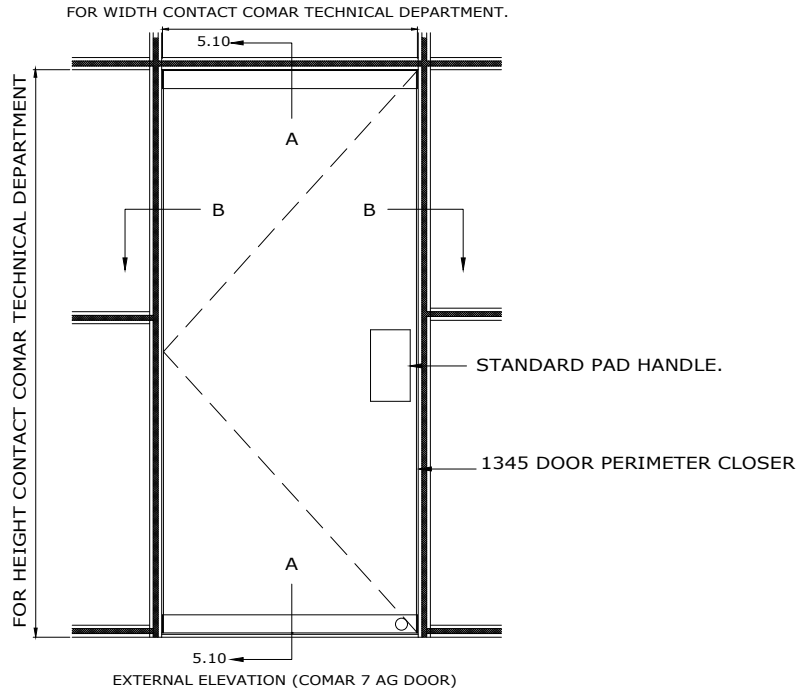
Integration

Comar 6EFT

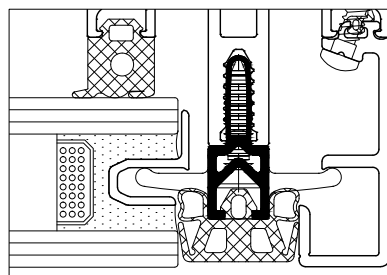
Comar 7 AG door into Comar 6 EFT (4 sided SG)



5.11



Gasket seals are also available



Changes reserved
Sous reserve de modifications
Änderungen vorbehalten

Issue: 05
Date: 10 -16

Fabricators Guide

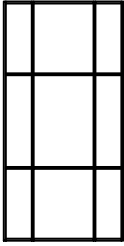


Integration

5

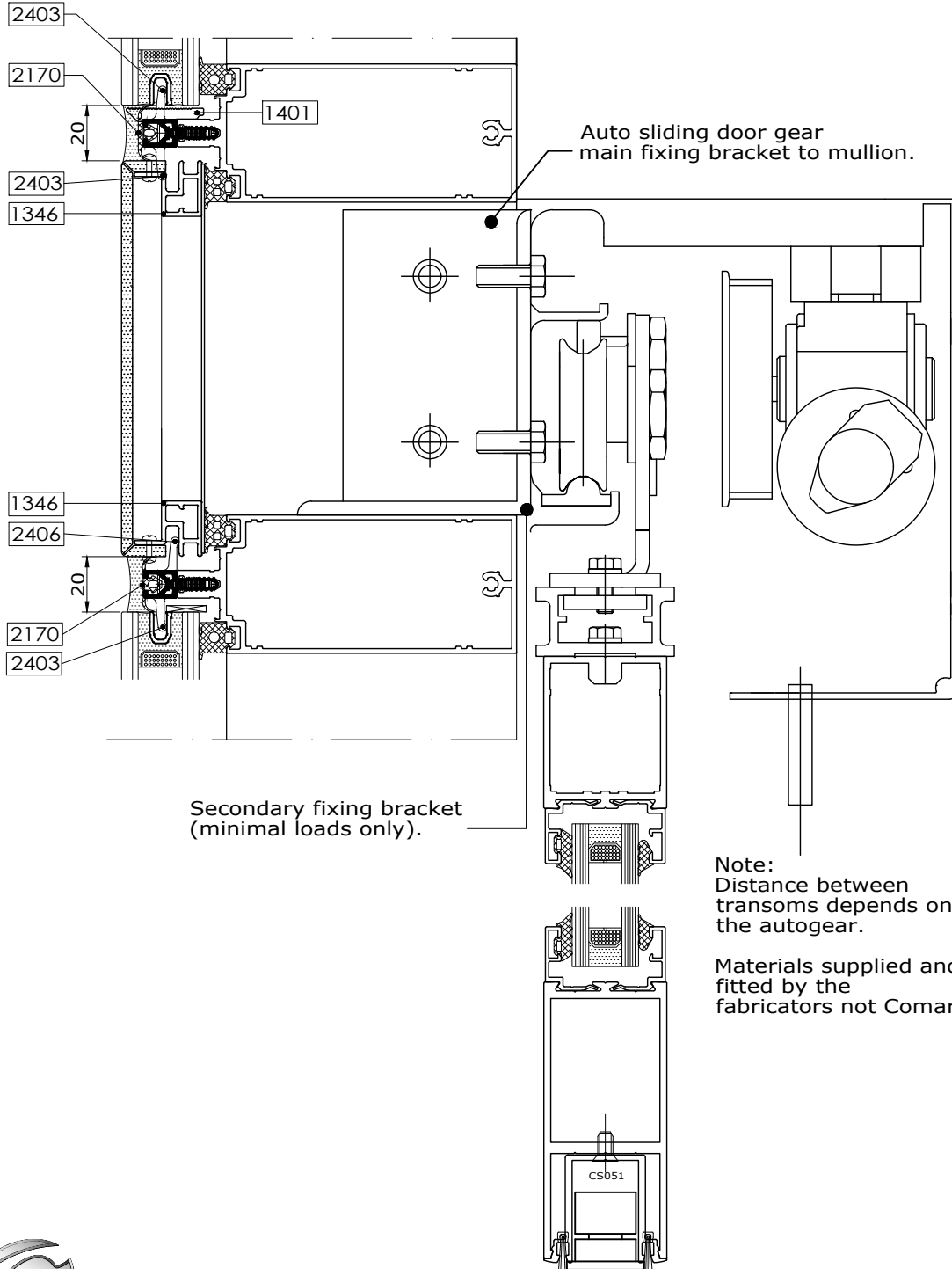
Comar 6EFT

Comar 7 auto sliding door into Comar 6 EFT (4 sided SG)



5.12

Fabricators Guide



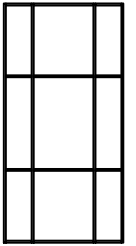
Copyright and ownership of this drawing is vested in EFT, Euro Facade Systems Ltd, whose prior written consent is required for its use, reproduction or for publication to any third party. All other rights reserved. Subject to modifications.

5

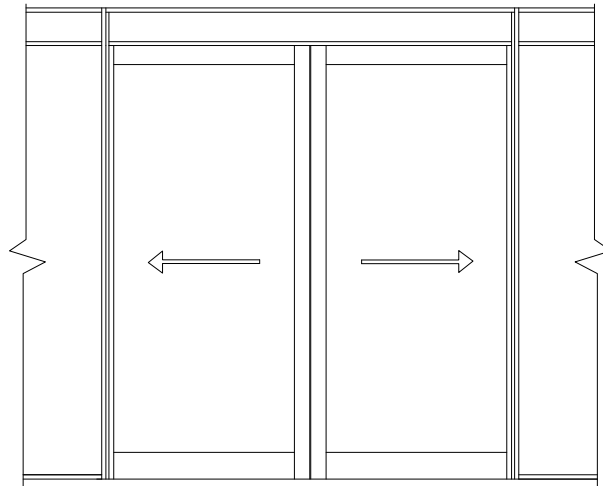
Integration

Comar 6EFT

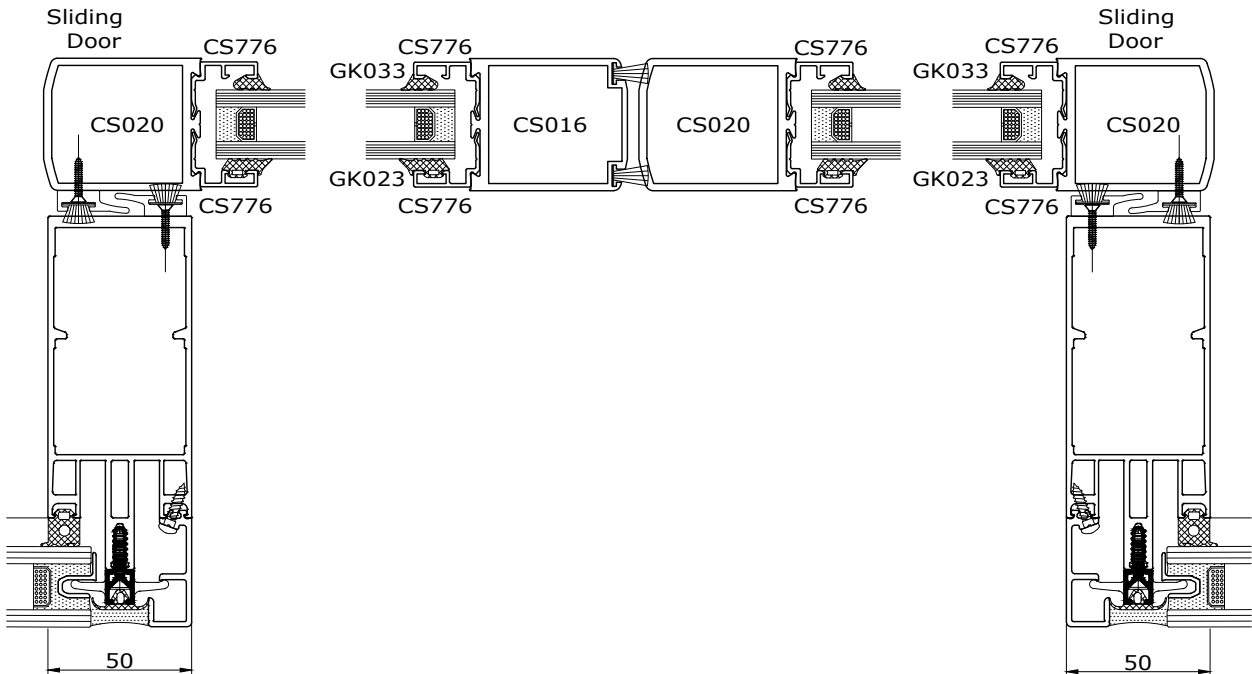
Comar 7 auto sliding door into Comar 6 EFT (4 sided SG)



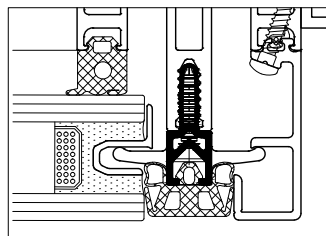
5.13



Copyright and ownership of this drawing is vested in EFT, Euro Facade Systems Ltd, whose prior written consent is required for its use, reproduction or for publication to any third party. All other rights reserved. Subject to modifications.



Gasket seals are also available



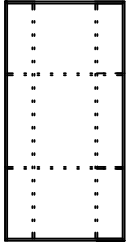
Changes reserved
 Sous reserve de modifications
 Änderungen vorbehalten

Issue :05
 Date: 10 -16



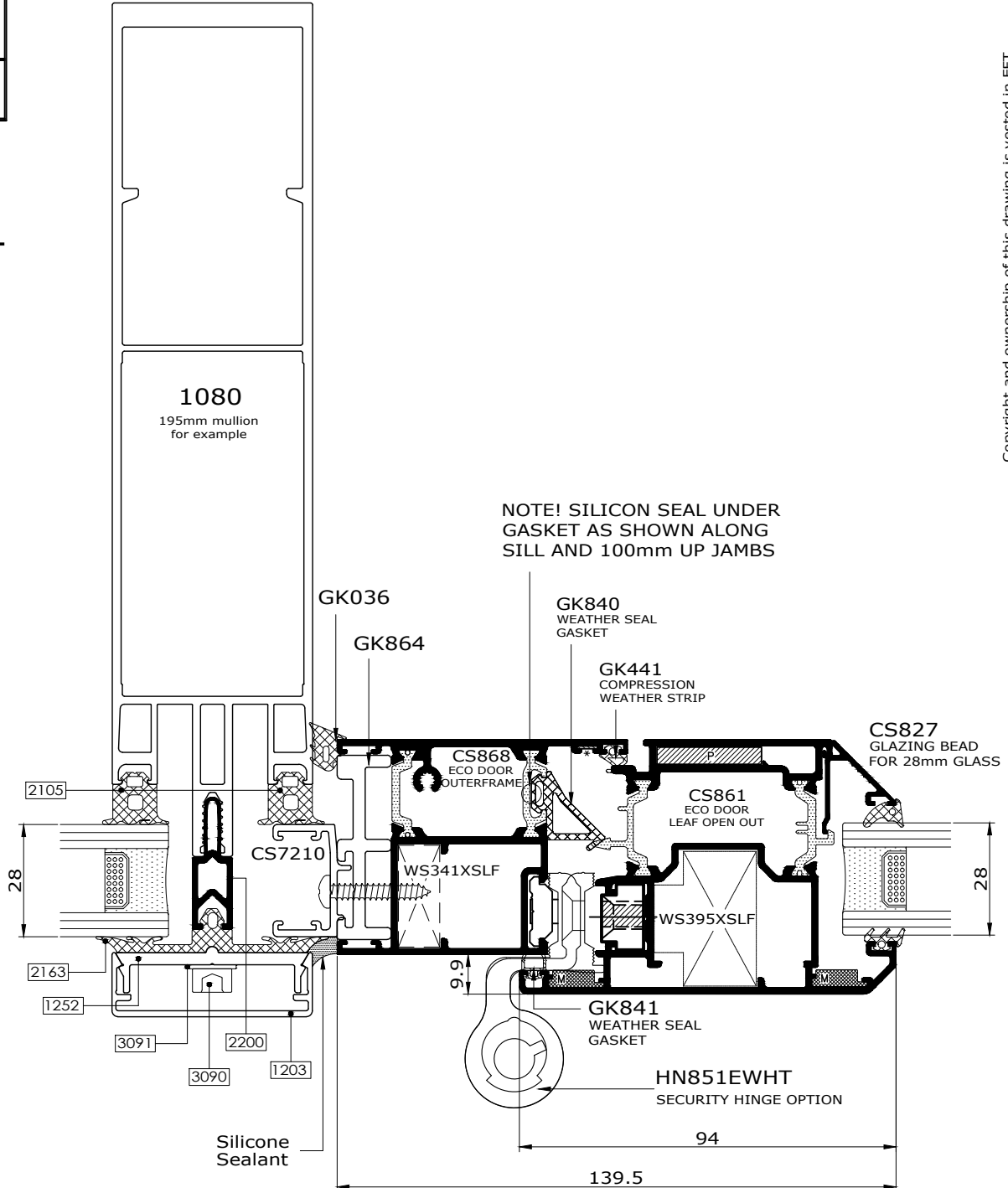
Comar 6EFT

Comar 7Pi ECO door into FCCW Rebated Door Open Out Jamb Detail



5.14

Fabricators Guide

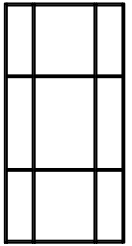


Copyright and ownership of this drawing is vested in EFT, Euro Facade Systems Ltd, whose prior written consent is required for its use, reproduction or for publication to any third party. All other rights reserved. Subject to modifications.

M DENOTES WS416XSLF ALIGNMENT SQUARE
 P DENOTES WS172XSLF CORNER CLEAT
 * DENOTES WS515 CHEVRON

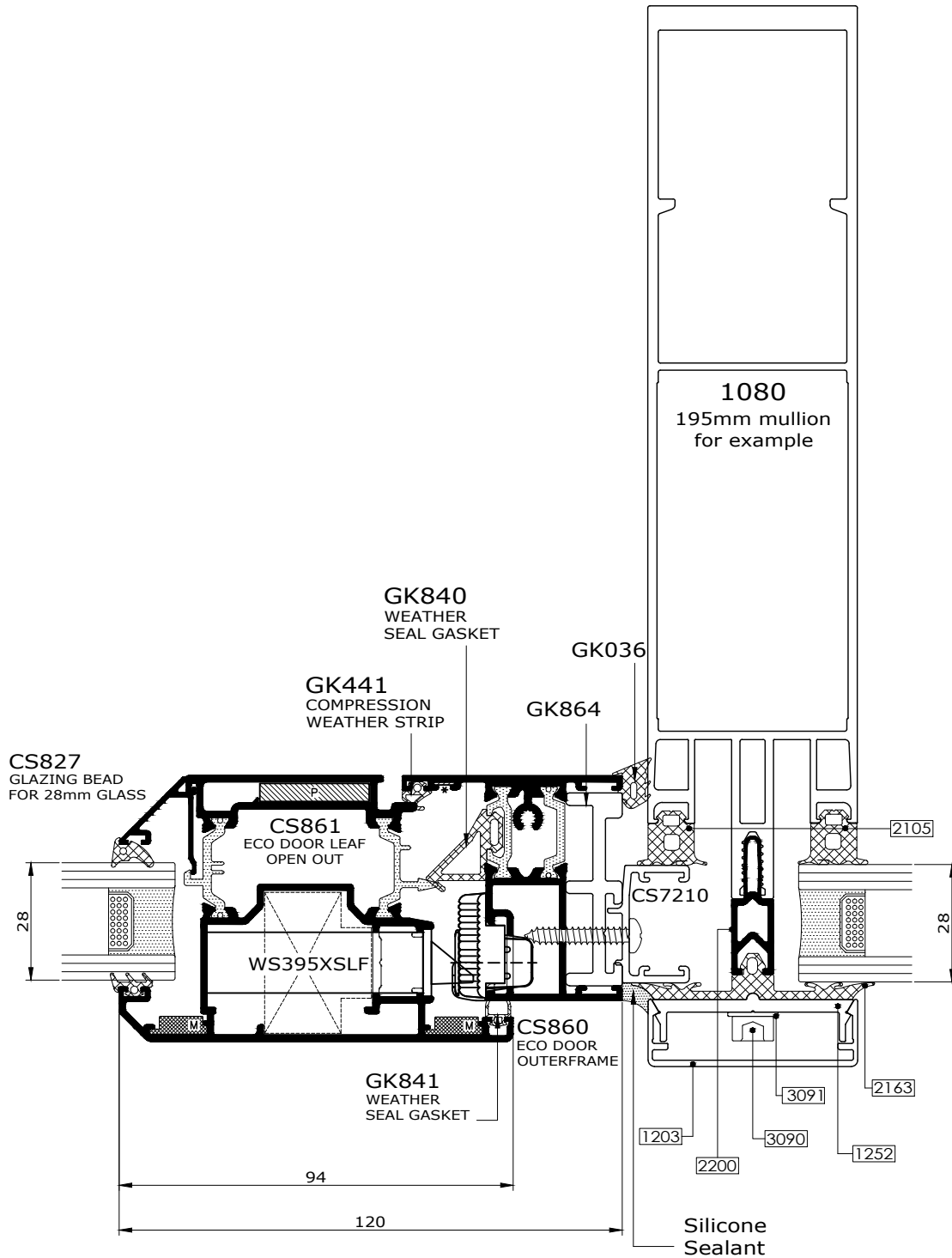


Comar 7 Pi ECO Door into
FCCW Rebated Door
Open Out Locking Detail



5.15

Copyright and ownership of this drawing is vested in EFT, Euro Facade Systems Ltd, whose prior written consent is required for its use, reproduction or for publication to any third party. All other rights reserved. Subject to modifications.

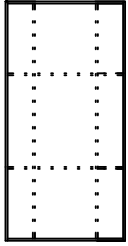


Changes reserved
Sous reserve de modifications
Änderungen vorbehalten

Issue: 05
Date: 10 -16

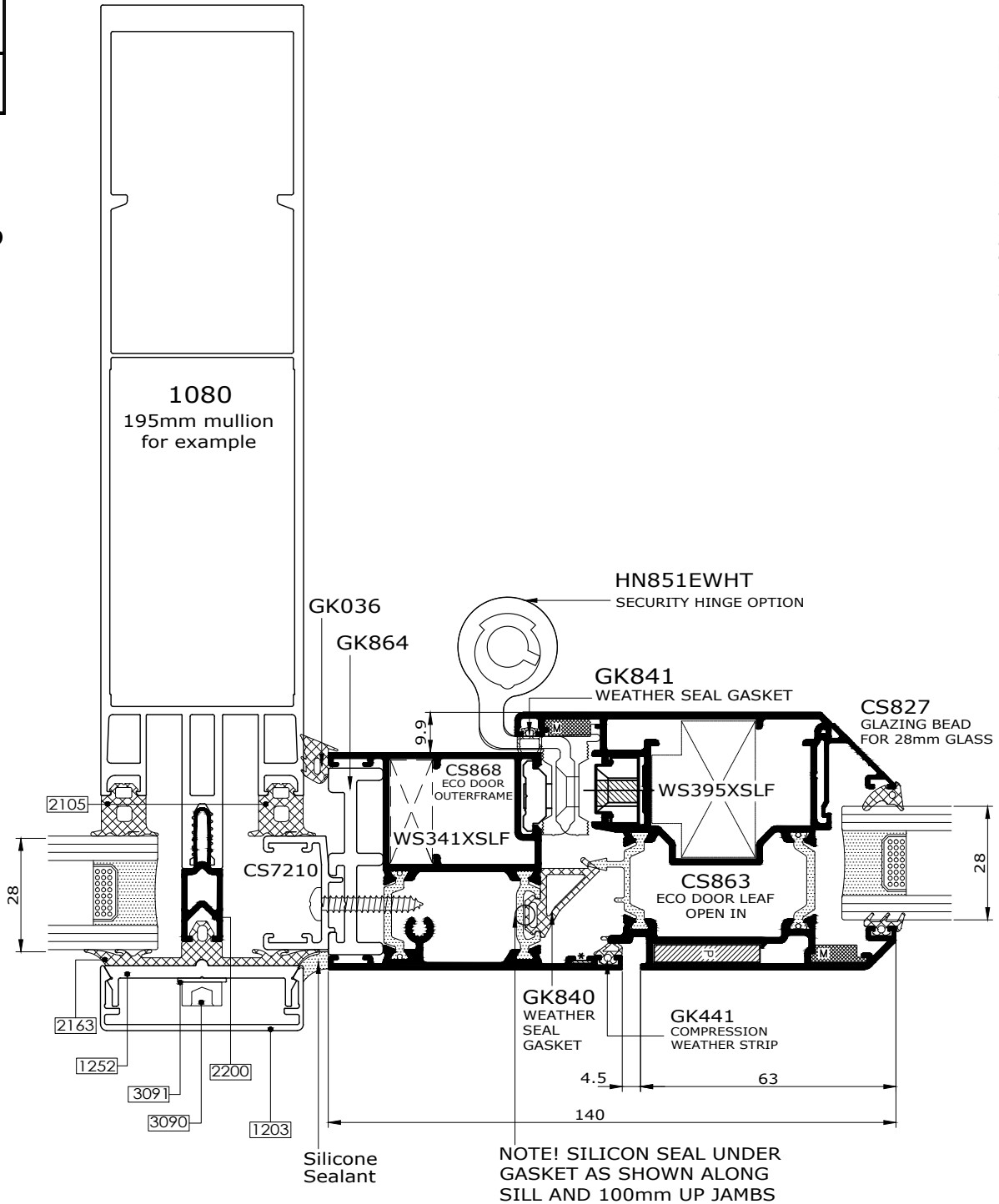
Comar 6EFT

Comar 7Pi ECO door into FCCW Rebated Door Open In Jamb Detail



5.16

Fabricators Guide

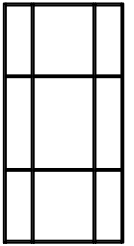


Copyright and ownership of this drawing is vested in EFT, Euro Facade Systems Ltd, whose prior written consent is required for its use, reproduction or for publication to any third party. All other rights reserved. Subject to modifications.



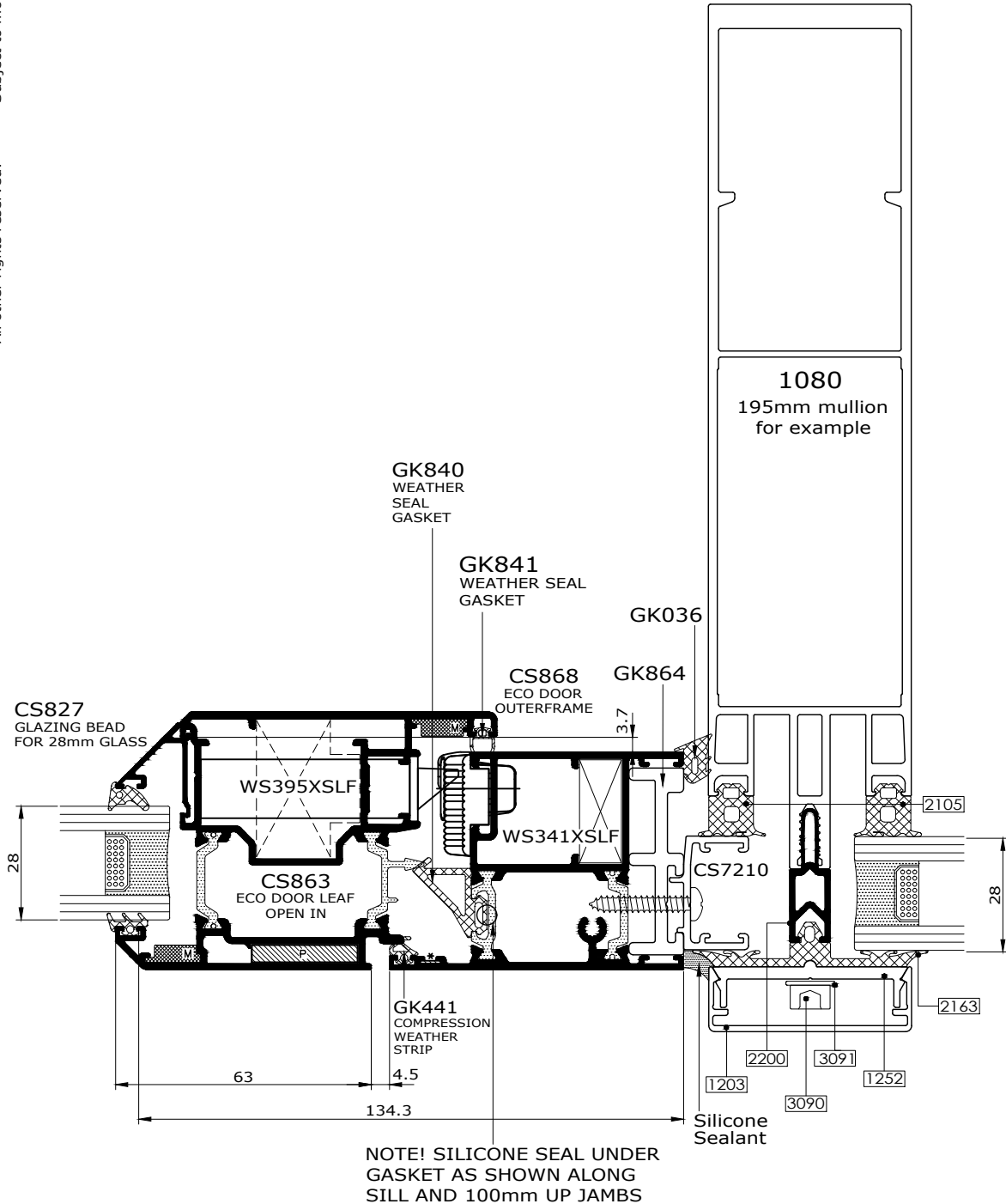
M DENOTES WS416XSLF ALIGNMENT SQUARE
P DENOTES WS172XSLF CORNER CLEAT
* DENOTES WS515 CHEVRON

Comar 7 Pi ECO Door into
FCCW Rebated Door
Open In Locking Detail



5.17

Copyright and ownership of this drawing is vested in EFT, Euro Facade Systems Ltd, whose prior written consent is required for its use, reproduction or for publication to any third party. All other rights reserved. Subject to modifications.



- M DENOTES WS416XSLF ALIGNMENT SQUARE
- P DENOTES WS172XSLF CORNER CLEAT
- * DENOTES WS515 CHEVRON

Changes reserved
Sous reserve de modifications
Änderungen vorbehalten

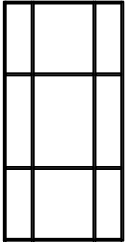
Issue: 05
Date: 10 -16

Integration

5

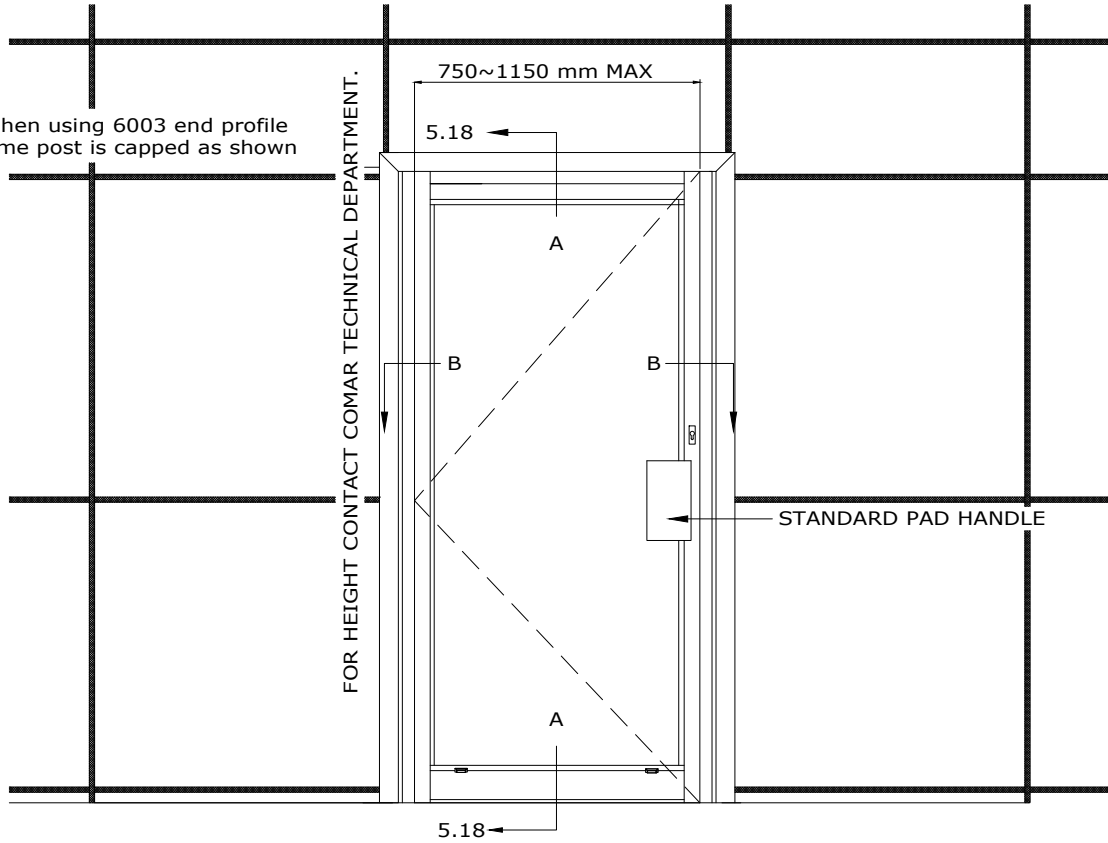
Comar 6EFT

Comar 7 into Comar 6 EFT Capped Perimeter



5.18

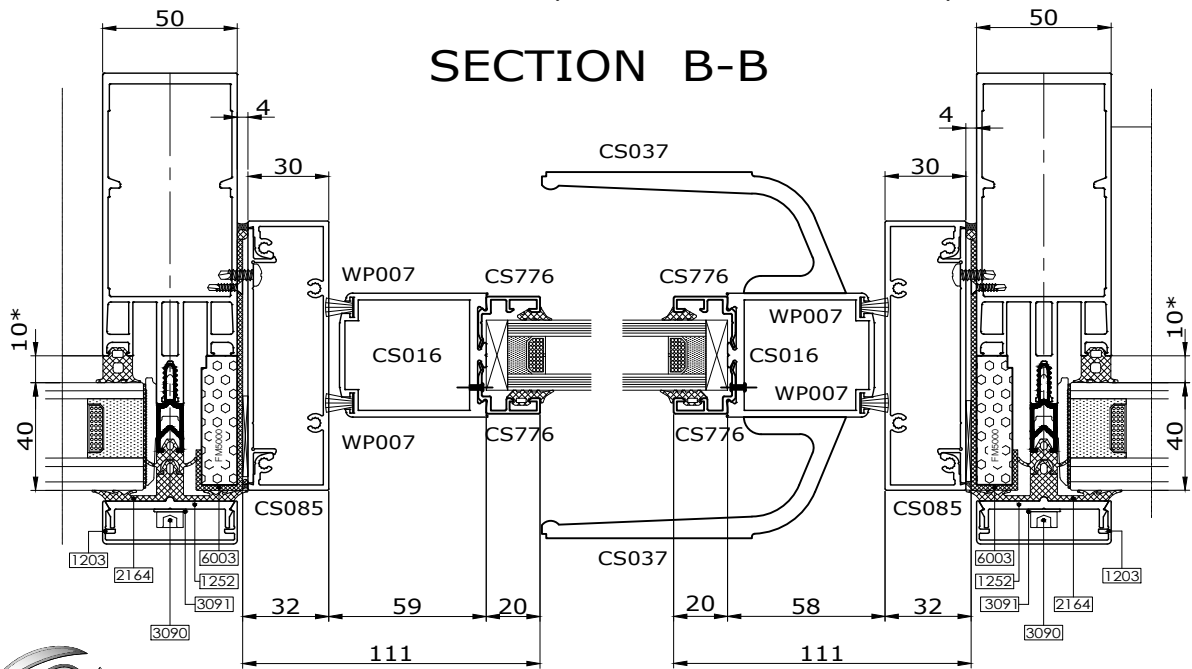
*When using 6003 end profile frame post is capped as shown



Copyright and ownership of this drawing is vested in EFT, Euro Facade Systems Ltd, whose prior written consent is required for its use, reproduction or for publication to any third party. All other rights reserved. Subject to modifications.

EXTERNAL ELEVATION (COMAR 7 STANDARD SWING DOOR)

SECTION B-B

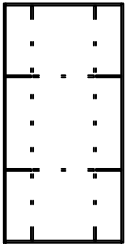


* Refer to Glazing Chart for glazing options

Changes reserved
Sous reserve de modifications
Änderungen vorbehalten

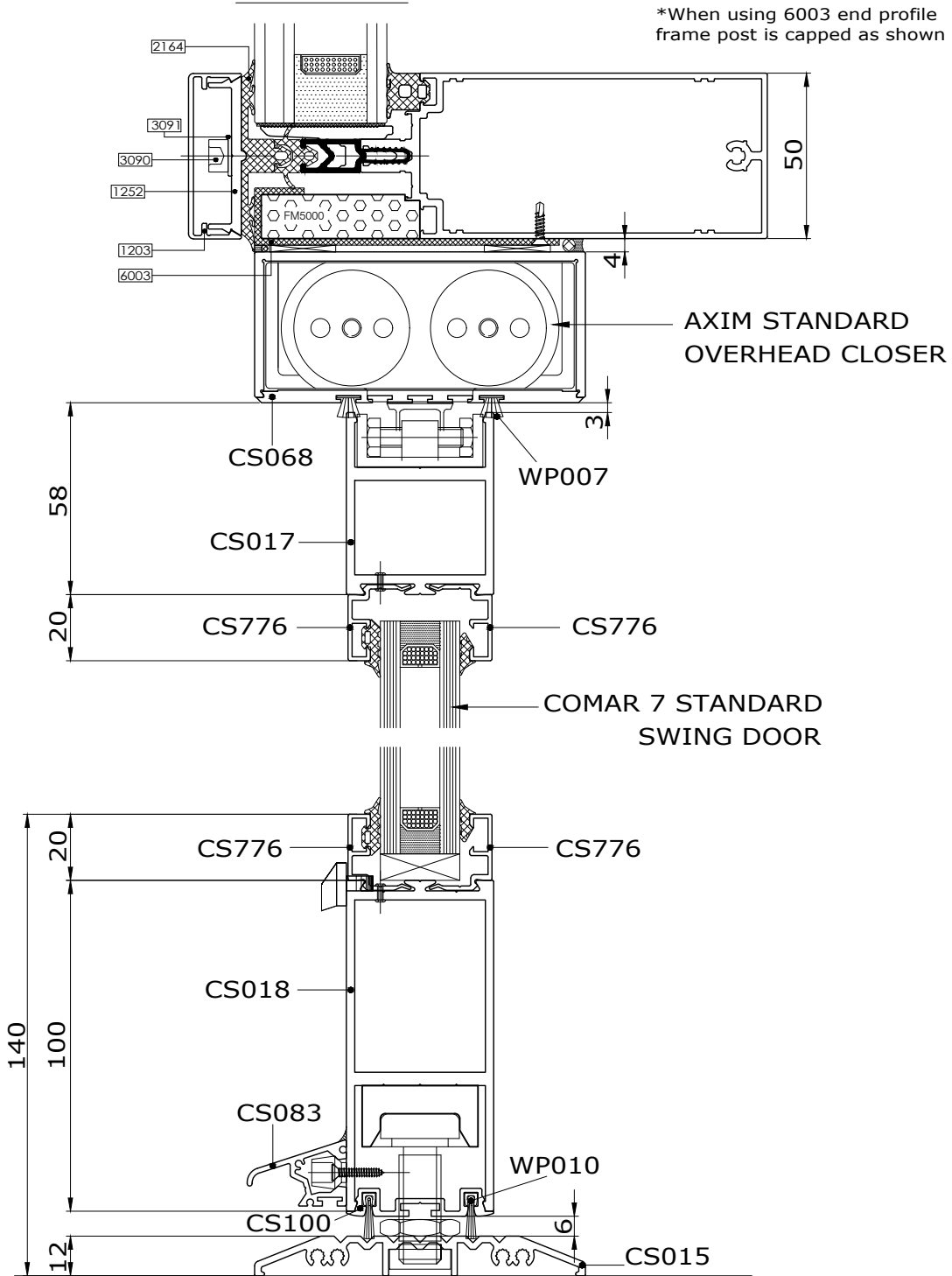
Issue: 05
Date: 10 -16

Comar 7 door into
Comar 6 EFT Capped perimeter



5.19

Copyright and ownership of this drawing is vested in EFT, Euro Facade Systems Ltd, whose prior written consent is required for its use, reproduction or for publication to any third party. All other rights reserved. Subject to modifications.



SECTION A-A

* Refer to Glazing Chart for glazing options

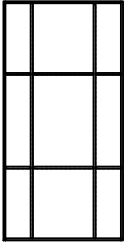
Changes reserved
Sous reserve de modifications
Änderungen vorbehalten

Issue: 05
Date: 10 -16

Integration 5

Comar 6EFT

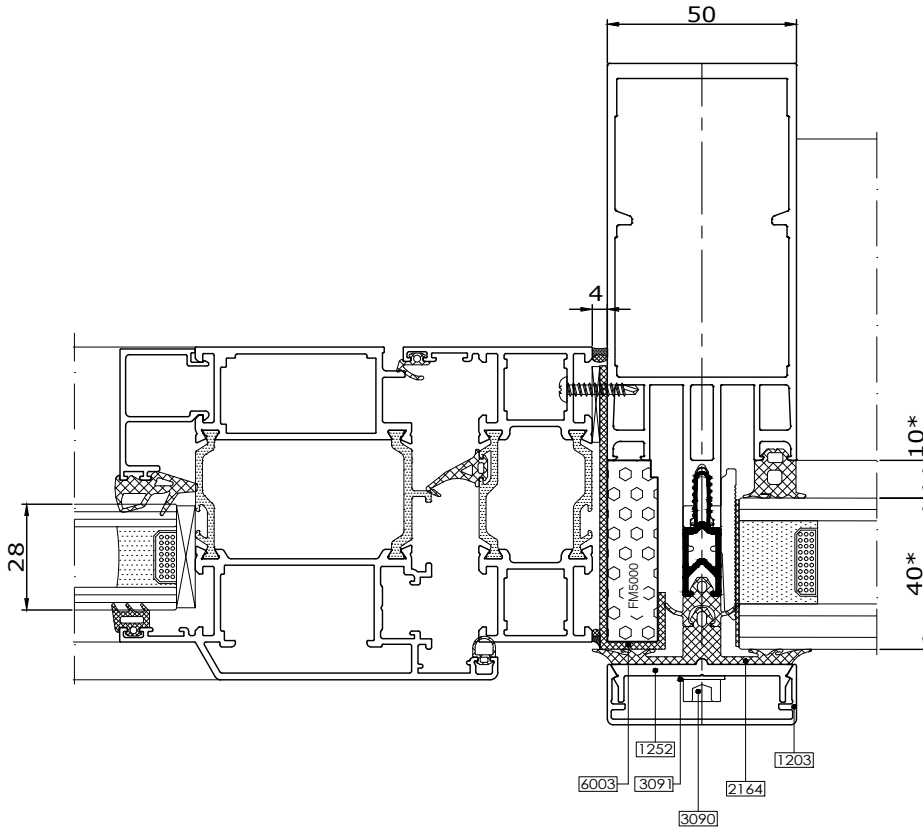
Comar 9 Pi into
Comar 6 EFT
Capped Perimeter



COMAR 9Pi Mitred Door Open Out

*When using 6003 end profile frame post is capped as shown

5.20



* Refer to Glazing Chart for glazing options

Copyright and ownership of this drawing is vested in EFT, Euro Facade Systems Ltd, whose prior written consent is required for its use, reproduction or for publication to any third party. All other rights reserved. Subject to modifications.

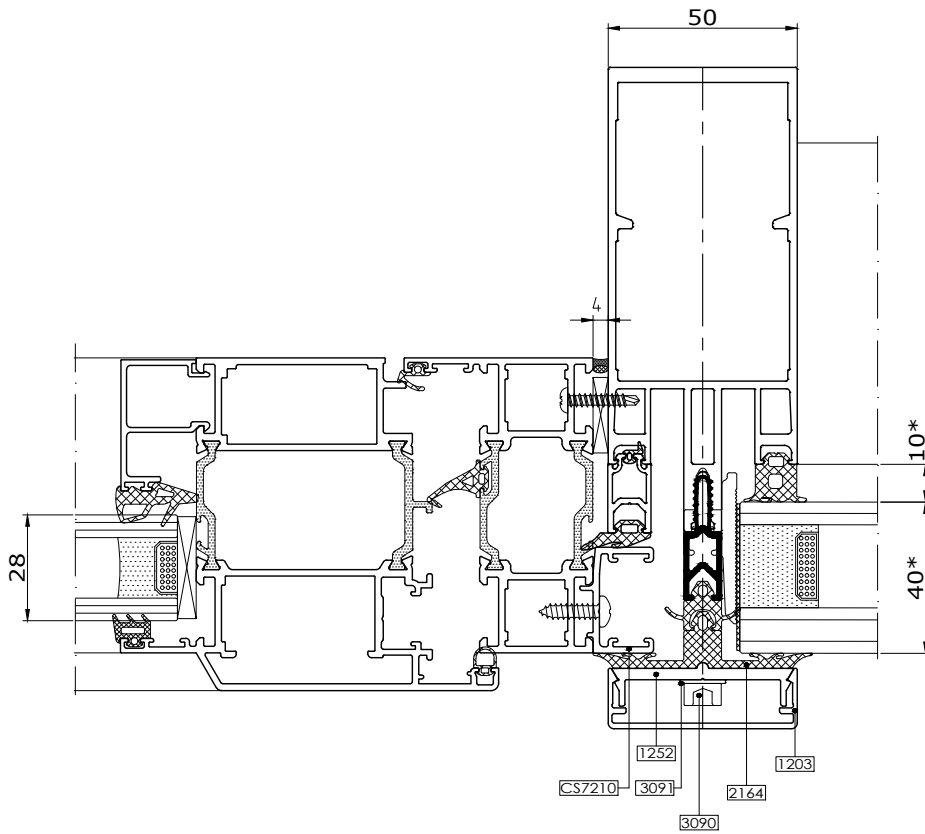
5

Integration
Comar 6EFT

Comar 9Pi into Comar 6EFT Capped with CS7210

COMAR 9Pi Mitred Door Open Out

5.21



Fabricators Guide

* Refer to Glazing Chart for glazing options

Changes reserved
Sous reserve de modifications
Änderungen vorbehalten

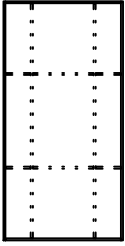
Issue: 05
Date: 02 -17

Integration

5

Comar 6EFT

Future addition



5.22-5.99

Fabricators Guide

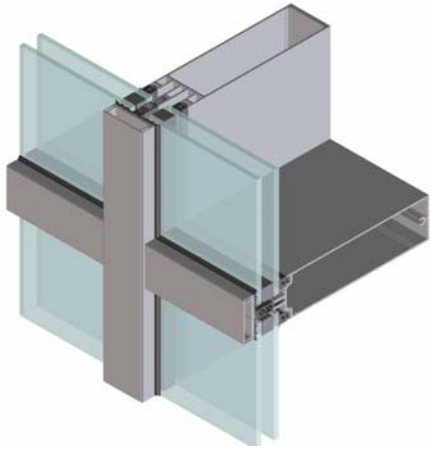
FUTURE
ADDITION

Copyright and ownership of this drawing is vested in EFT,
Euro Facade Systems Ltd, whose prior written consent is required
for its use, reproduction or for publication to any third party.
All other rights reserved. Subject to modifications.

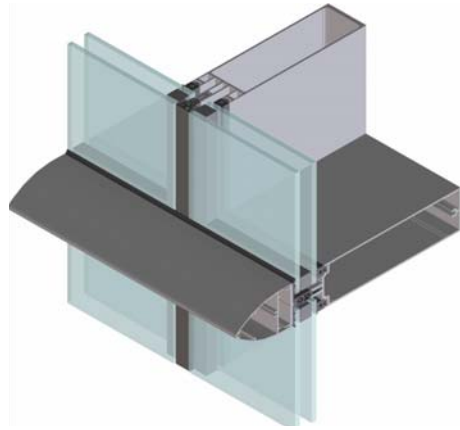
Copyright and ownership of this drawing is vested in EFT, Euro Facade Systems Ltd, whose prior written consent is required for its use, reproduction or for publication to any third party. All other rights reserved. Subject to modifications.

6

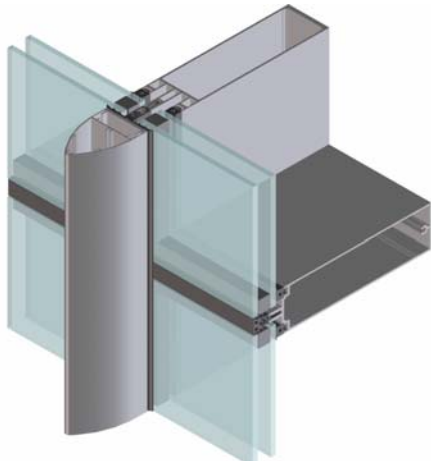
Fabrication
Comar 6EFT



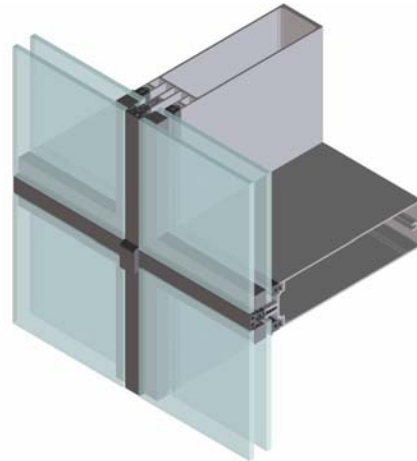
Capped



2sided SGH



2sided SGV



4sided SG

Changes reserved
Sous reserve de modifications
Änderungen vorbehalten

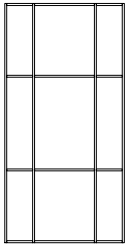
Issue: 05
Date: 10-16

Fabrication

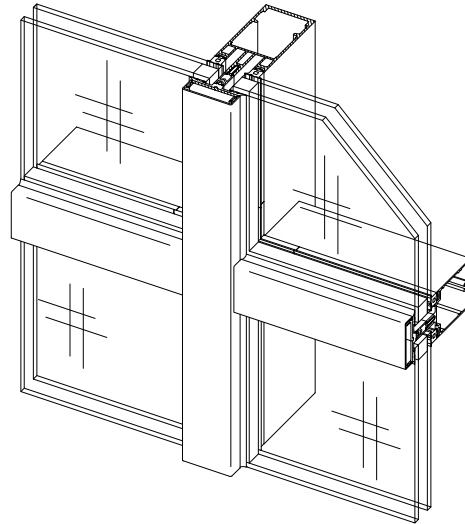
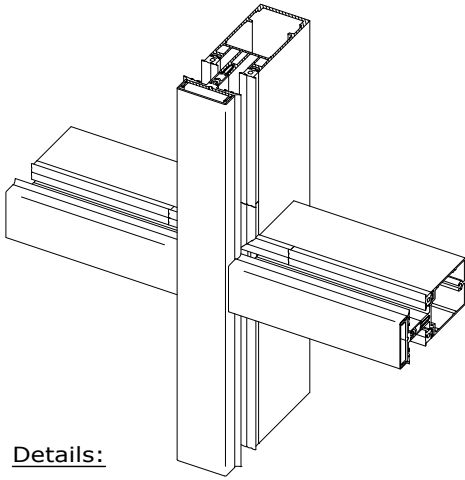
6

Comar 6EFT

Exploded typical detail Fully capped

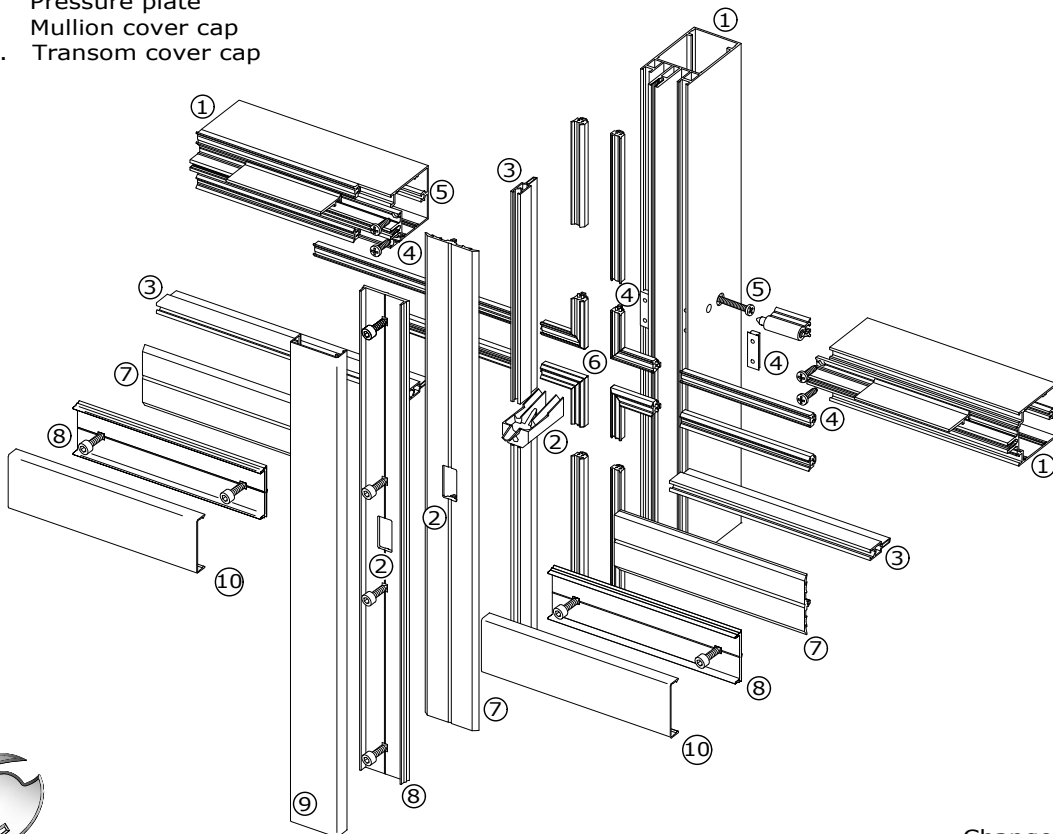


6.00



Details:

1. One substructure for all curtain wall types (Fully Capped / 2sided SGH / 2sided SGV / 4sided SG)
2. Controlled drainage system (mullion drained) - drainage diverter
3. Thermal break
4. Mullion-Transom step-cut & sealed by EPDM moulding
5. Ladder (unit) construction or stick build
6. Moulded EPDM corners available
7. Mullion / Transom pressure plate gasket
8. Pressure plate
9. Mullion cover cap
10. Transom cover cap



Copyright and ownership of this drawing is vested in EFT, Euro Facade Systems Ltd, whose prior written consent is required for its use, reproduction or for publication to any third party. All other rights reserved. Subject to modifications.

Fabricators Guide

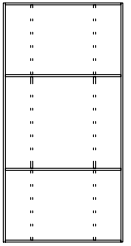


comar
ARCHITECTURAL ALUMINIUM SYSTEMS

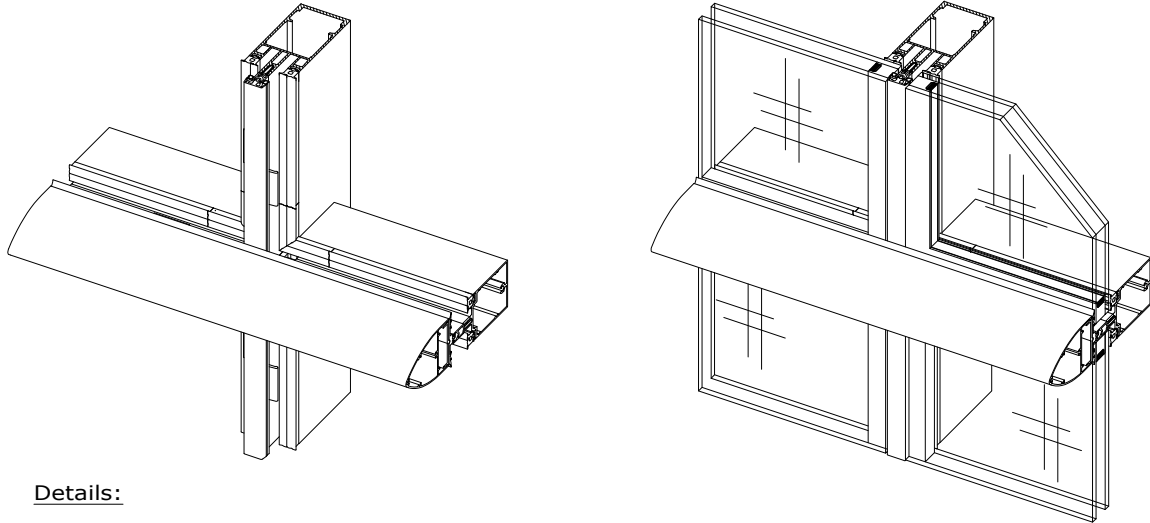
Changes reserved
Sous reserve de modifications
Änderungen vorbehalten

Issue: 05
Date : 10-16

Exploded typical details Horizontal cover cap (2sided SGH)

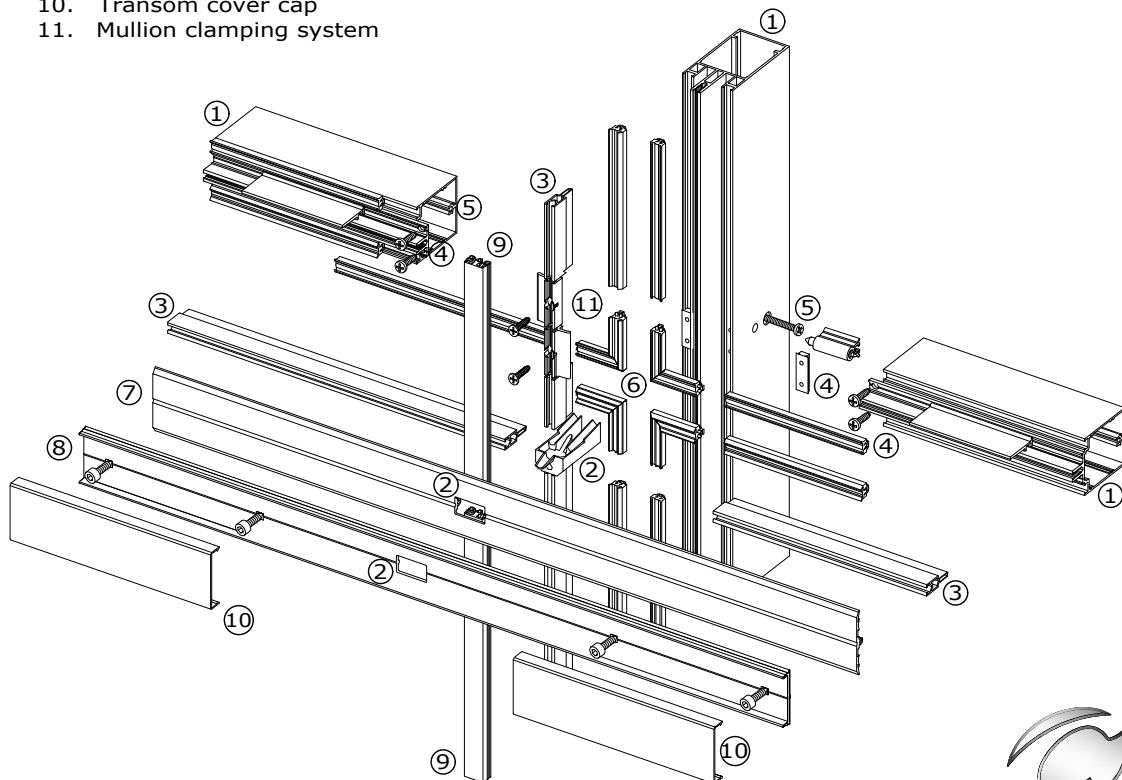


6.01



Details:

1. One substructure for all curtain wall types (Fully Capped / 2sided SGH / 2sided SGV / 4sided SG)
2. Controlled drainage system (mullion drained) - drainage diverter
3. Thermal break
4. Mullion-Transom step-cut & sealed by EPDM moulding.
5. Ladder (unit) construction or stick build
6. Moulded EPDM corners available
7. Transom pressure plate gasket
8. Transom pressure plate
9. Mullion joint gasket
10. Transom cover cap
11. Mullion clamping system



Changes reserved
Sous reserve de modifications
Änderungen vorbehalten

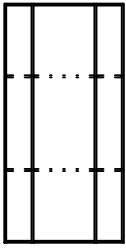
Issue: 05
Date: 10-16

Fabrication

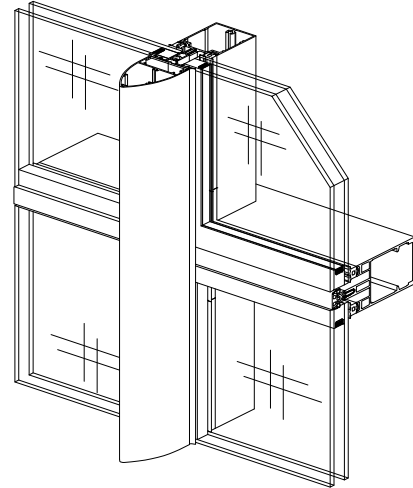
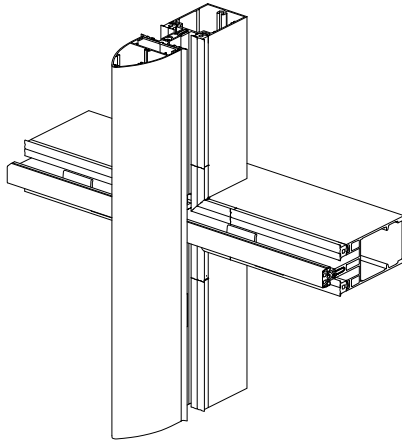
6

Comar 6EFT

Exploded typical detail Vertical cover cap (2Sided SGV)

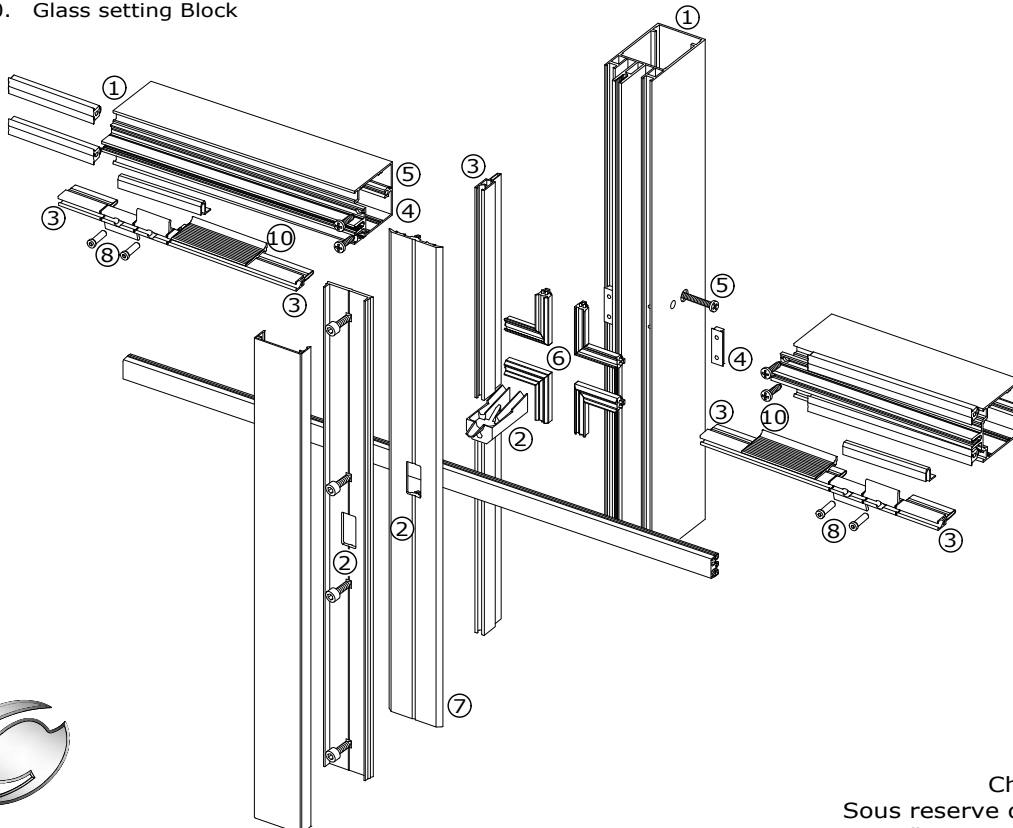


6.02



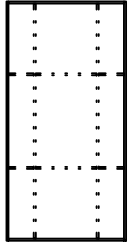
Details:

1. One substructure for all curtain wall types, Fully Capped, 2sided SGH, 2sided SGV & 4sided SG.
2. Controlled drainage system (mullion drained) drainage diverter
3. Thermally broken.
4. Mullion-Transom step-cut & sealed by EPDM moulding.
5. Ladder (unit) construction or stick build.
6. Moulded EPDM corners available.
7. Continuous pressure plate gasket.
8. Glazing clamping system into DG unit.
9. Continuous pressure plate gasket.
10. Glass setting Block

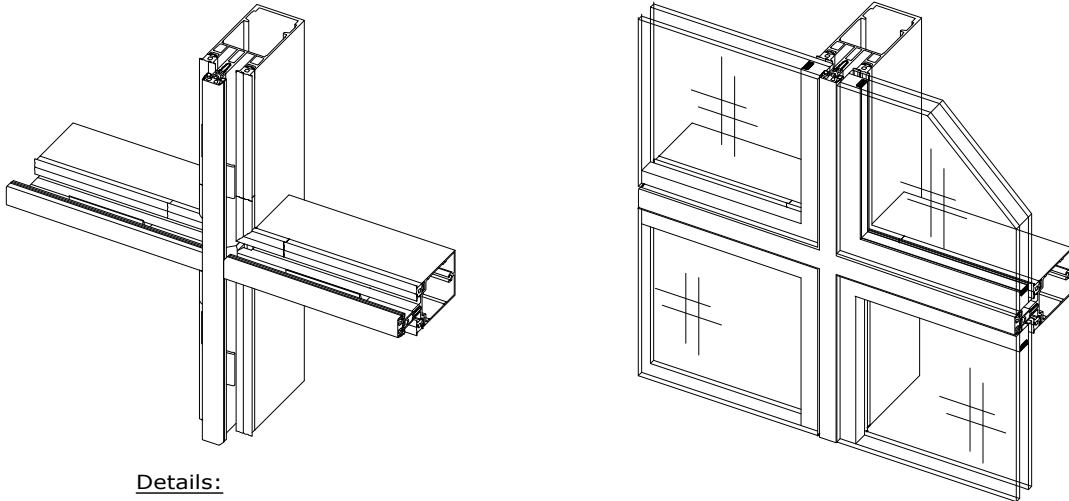


Copyright and ownership of this drawing is vested in EFT, Euro Facade Systems Ltd, whose prior written consent is required for its use, reproduction or for publication to any third party. All other rights reserved. Subject to modifications.

Exploded typical details Four sided structural EFT (4sided SG)

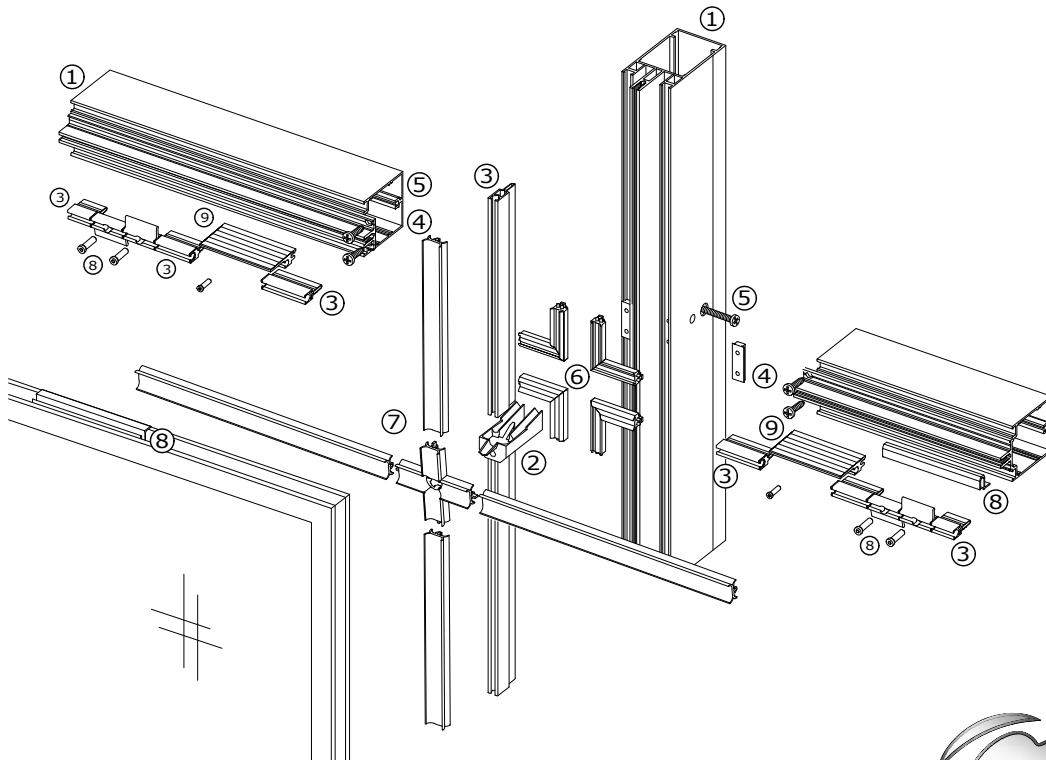


6.03



Details:

1. One substructure for all curtain wall types, Fully Capped, 2sided SGH, 2sided SGV & 4sided SG.
2. Controlled drainage system (mullion drained) drainage diverter/cover
3. Thermally broken.
4. Mullion-Transom step-cut & sealed by EPDM gasket.
5. Ladder (unit) construction or stick build.
6. Moulded EPDM corners available.
7. Joint cruciform gasket.
8. Glazing clamping system into DG unit.
9. Glass setting block



Changes reserved
Sous reserve de modifications
Änderungen vorbehalten

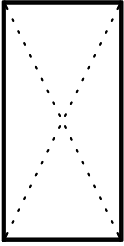
Issue: 05
Date: 10-16

Fabrication

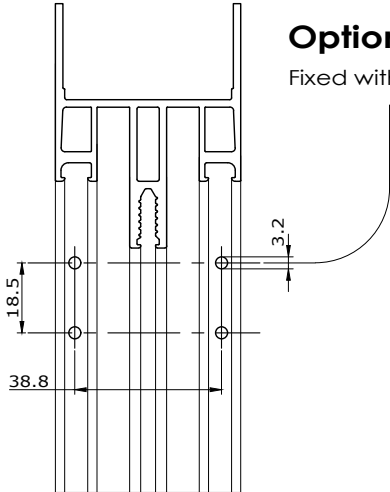
6

Comar 6EFT

Mullion - Transom Connection



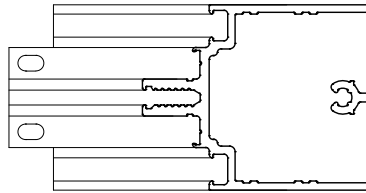
6.04



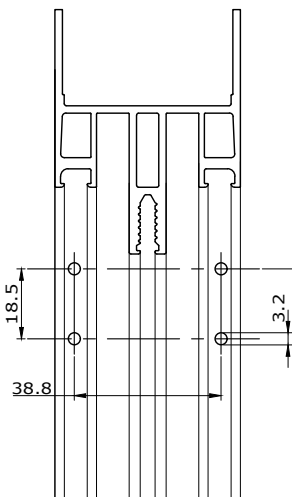
Option 1 (for 45mm Transoms only)

Fixed with 2 screws EFT 3021 (3.9x16)

Glass weight: max. 100 kg



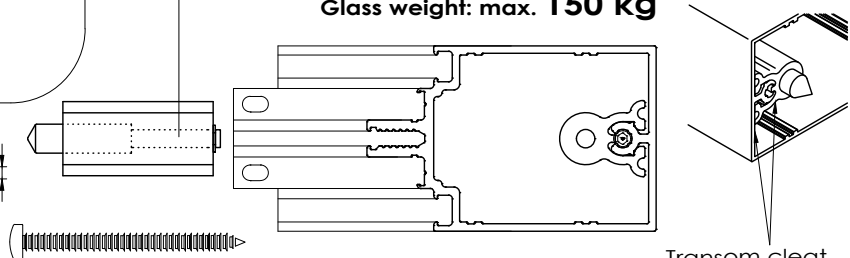
Fabricators Guide



Option 2 (for 60mm or deeper Transoms)

Fixed with 2 screws EFT 3021 (3.9x16) +
Transom spigot EFT 2310 or
Ladder screw 3022 (4.8x60)

Glass weight: max. 150 kg



Transom cleat
2310 body to be
positioned flush
to prepared
edge of transom
and super glued

Copyright and ownership of this drawing is vested in EFT,
Euro Facade Systems Ltd, whose prior written consent is required
for its use, reproduction or for publication to any third party.
All other rights reserved. Subject to modifications.



comar

ARCHITECTURAL ALUMINIUM SYSTEMS

Changes reserved
Sous reserve de modifications
Änderungen vorbehalten

Issue: 05
Date : 10-16

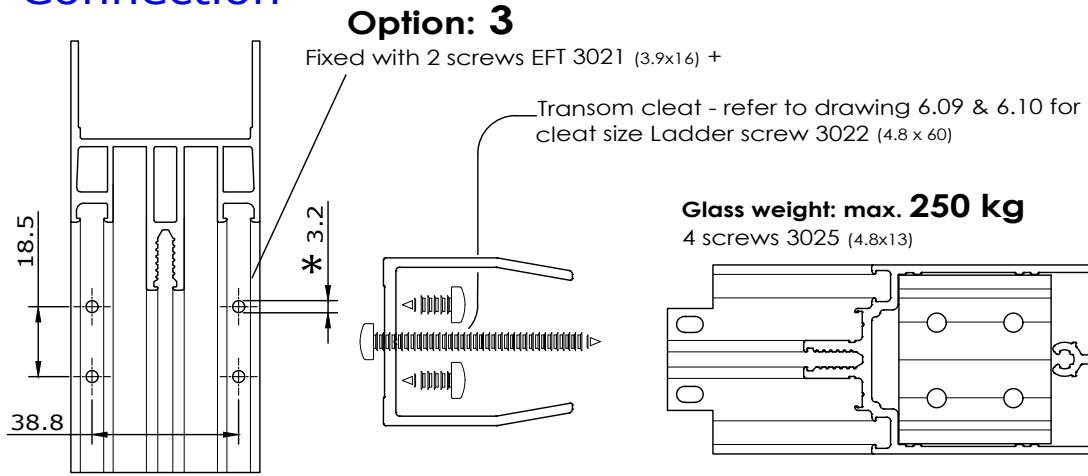
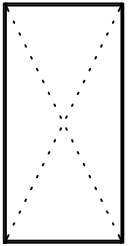
Copyright and ownership of this drawing is vested in EFT, Euro Facade Systems Ltd, whose prior written consent is required for its use, reproduction or for publication to any third party. All other rights reserved. Subject to modifications.

6

Fabrication

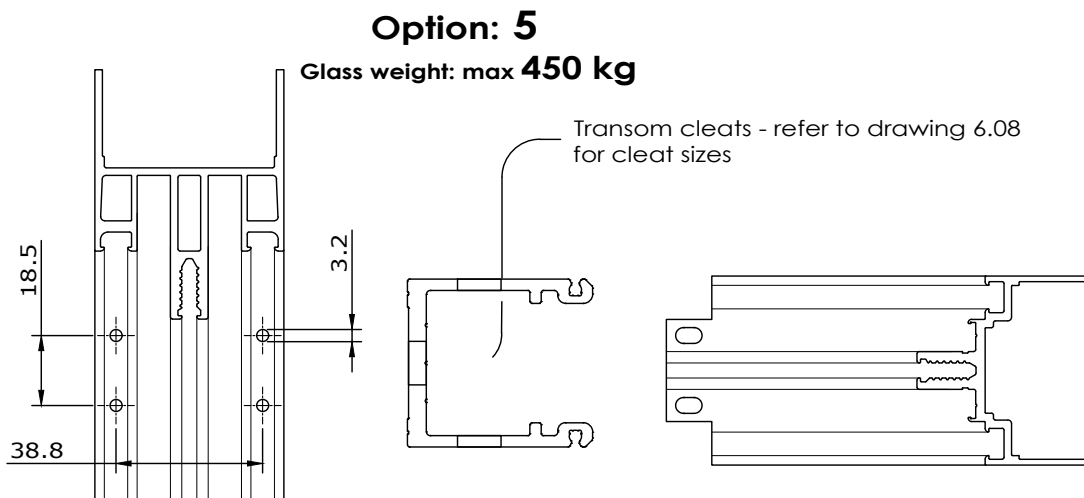
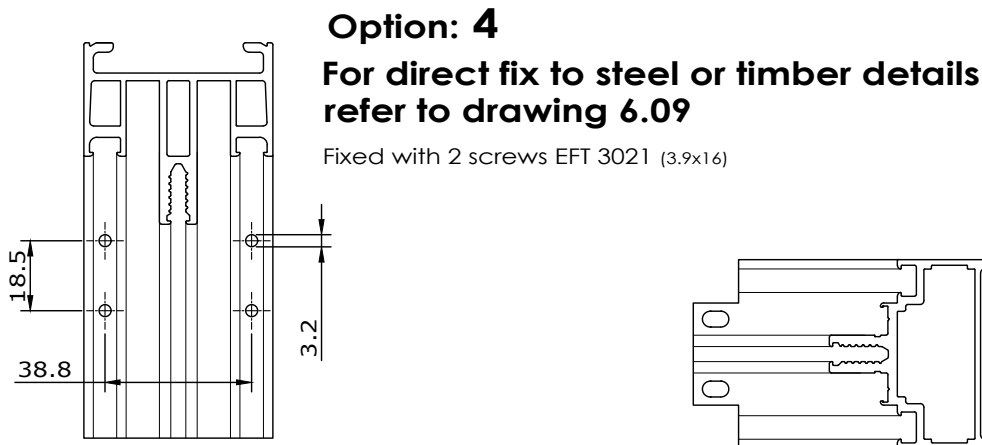
Comar 6EFT

Mullion - Transom Connection



6.05

*
For ladder unit only, 3022 (4.8 x 60)



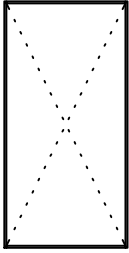
Changes reserved
Sous reserve de modifications
Änderungen vorbehalten

Issue: 05
Date: 10-16

Fabrication

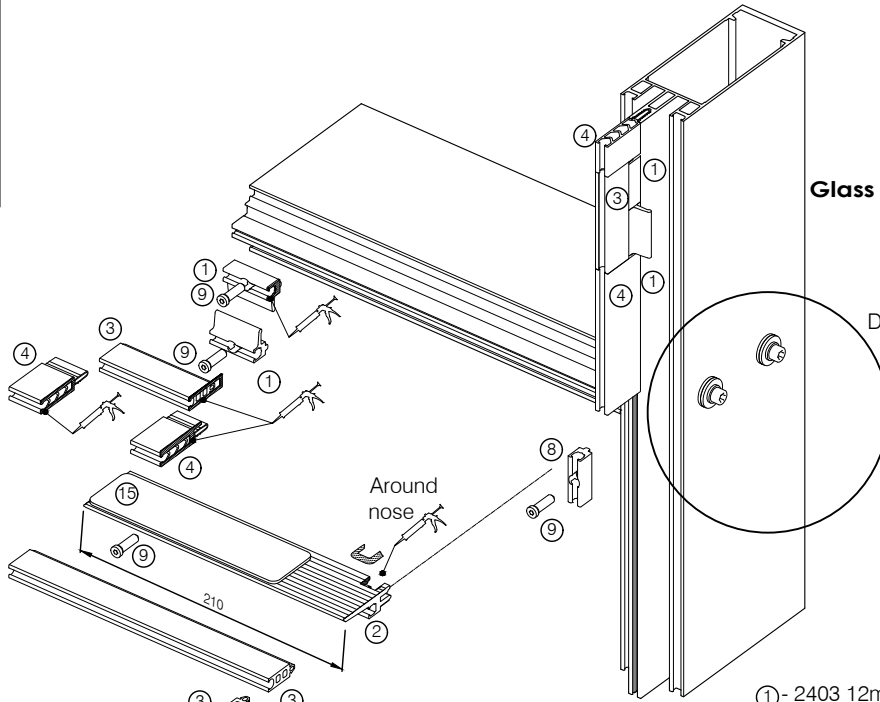
6

Comar 6EFT



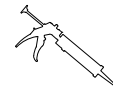
Heavy glass support Jamb detail

6.06

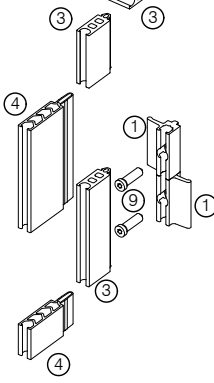


Option: 5
Glass weight: Max 450 kg

Detail A

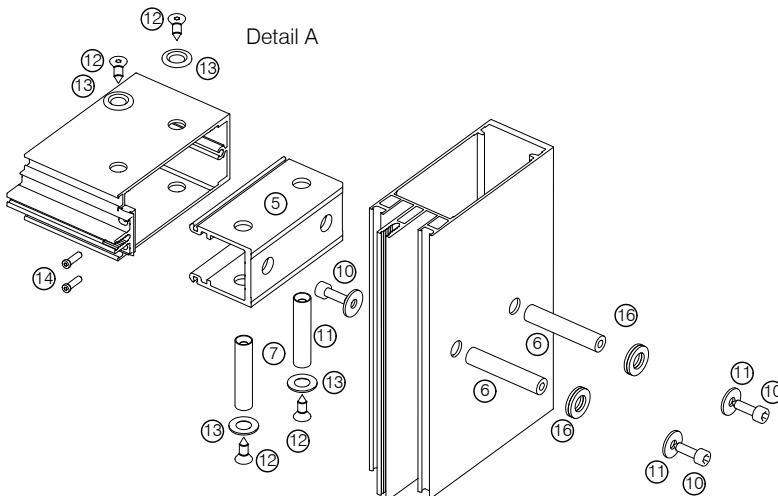


APPLY SEALANT
TO ALL JOINTS



- ①- 2403 12mm double glazing clamp
- ②- 140x series 12mm glass setting block
- ③- 2155 22mm extension gasket
- ④- 2203 34mm thermal break
- ⑤- 1305 transom cleat
- ⑥- 1891 11x3 59.5mm aluminium tube
- ⑦- 1890 11x3 50mm aluminium tube
- ⑧- 2409 setting block support
- ⑨- 3029 5.5x23mm special screw
- ⑩- 3004 5.5x19mm socked screw
- ⑪- 3095 M6 DIN9021SS washer
- ⑫- 3017 5.5x16 countersink screw
- ⑬- 3094 SS countersink washer
- ⑭- 3021 3.9x16 special screw
- ⑮- 150mm wide glass shims
- ⑯- M12 SS washers by Others

Detail A



Fabricators Guide

Copyright and ownership of this drawing is vested in EFT, Euro Facade Systems Ltd, whose prior written consent is required for its use, reproduction or for publication to any third party. All other rights reserved. Subject to modifications.



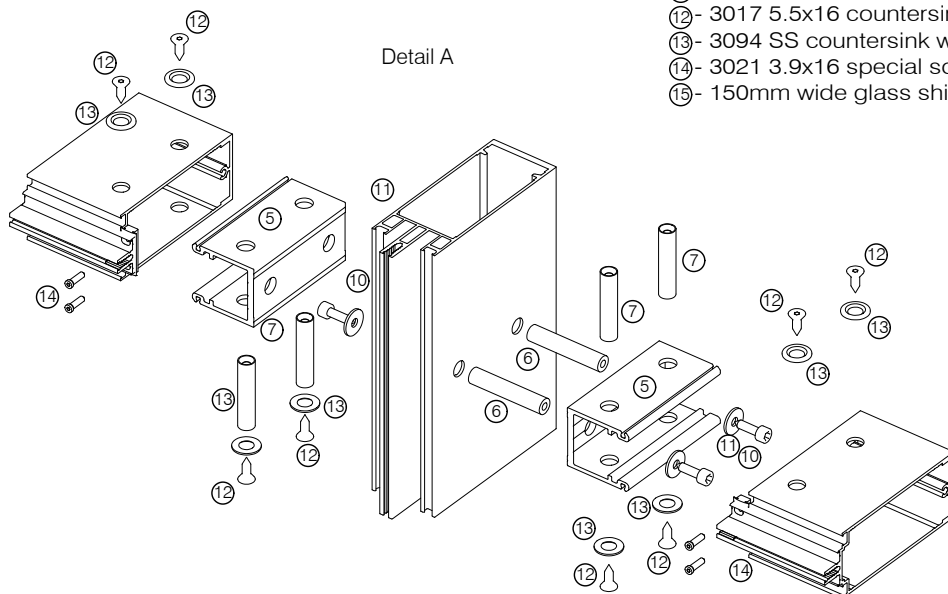
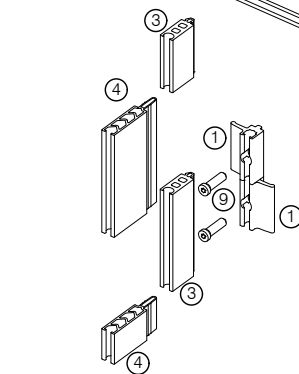
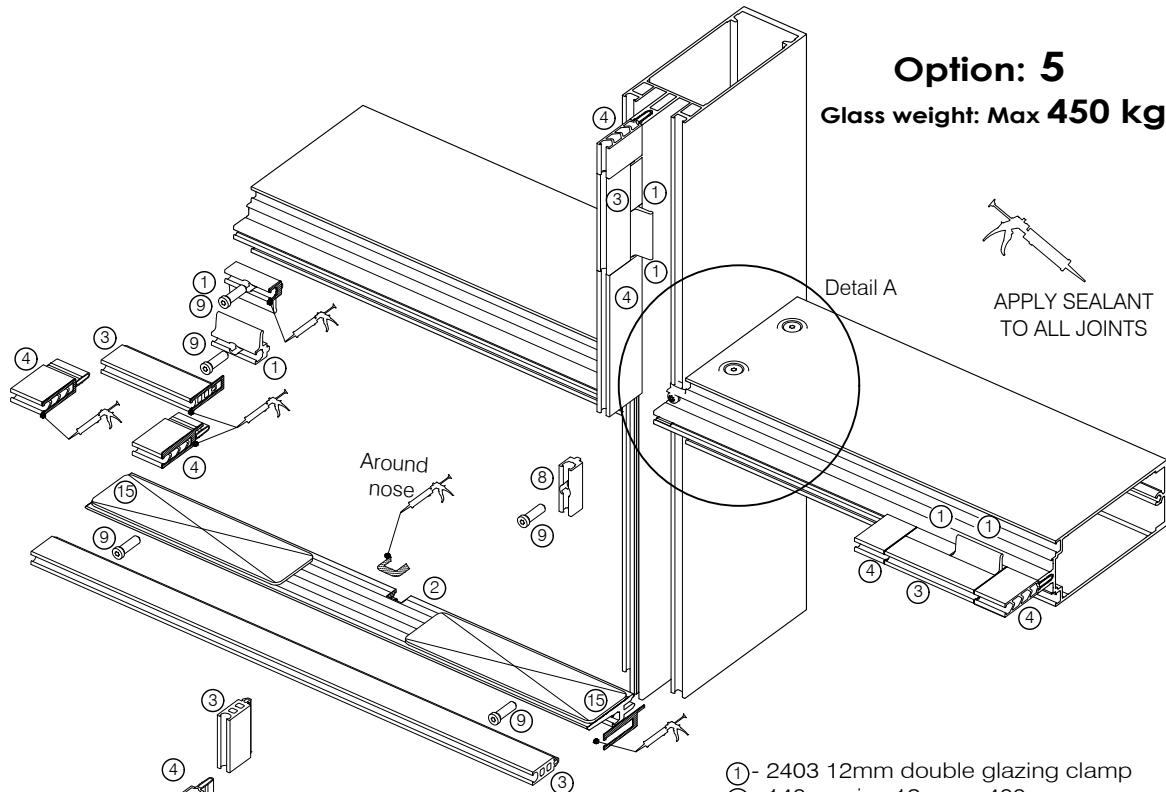
comar
ARCHITECTURAL ALUMINIUM SYSTEMS

Changes reserved
Sous reserve de modifications
Änderungen vorbehalten

Issue: 05
Date : 04-17

Heavy glass support Mullion Detail

Copyright and ownership of this drawing is vested in EFT, Euro Facade Systems Ltd, whose prior written consent is required for its use, reproduction or for publication to any third party. All other rights reserved. Subject to modifications.



- ①- 2403 12mm double glazing clamp
- ②- 140x series 12mm x 400mm glass setting block
- ③- 2155 22mm extension gasket
- ④- 2203 34mm thermal break
- ⑤- 1305 transom cleat
- ⑥- 1891 11x3 59.5mm aluminium tube
- ⑦- 1890 11x3 50mm aluminium tube
- ⑧- 2409 setting block support
- ⑨- 3029 5.5x23mm special screw
- ⑩- 3004 5.5x19mm socked screw
- ⑪- 3095 M6 SS DIN9021 washer
- ⑫- 3017 5.5x16 countersink screw
- ⑬- 3094 SS countersink washer
- ⑭- 3021 3.9x16 special screw
- ⑮- 150mm wide glass shims

Changes reserved
Sous reserve de modifications
Änderungen vorbehalten

Issue: 05
Date: 10-16

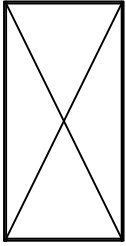


Installation

6

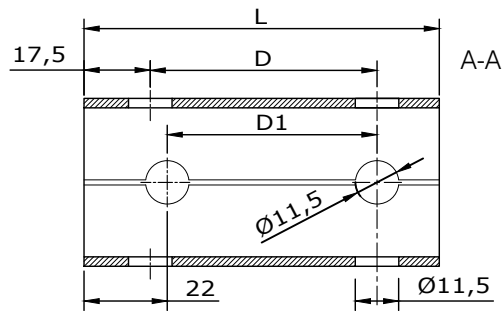
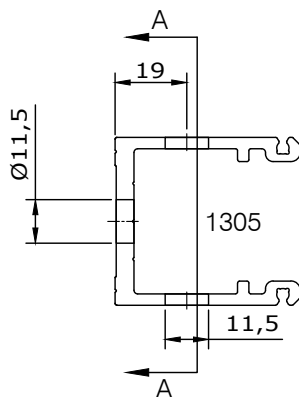
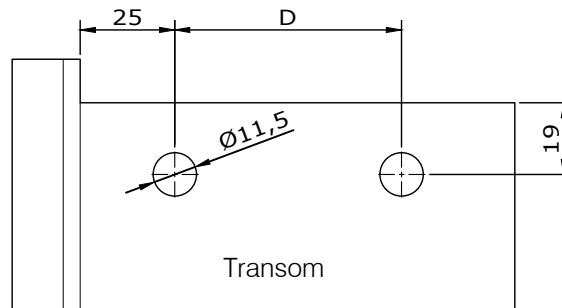
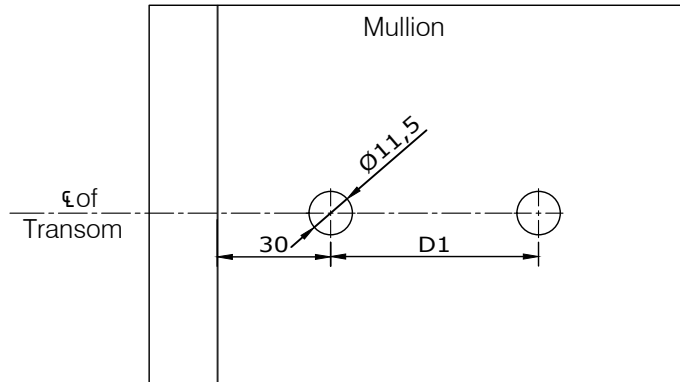
Comar 6EFT

Mullion - Transom Connection



6.08

Option: 5
Glass weight max **450 kg**



Fabricators Guide

Note:
Cut cleats are for project only and are not held in stock. Cut cleats will be subject to a longer lead time.

Cleat Reference	Transom	L (mm)	D (mm)	D1(mm)
2566	1152 - 135mm	114	75	70
2567	1145 & 1154 -150mm	129	100	95
2568	1147 - 175mm	154	125	120
2569	1156 - 180mm	159	130	125
2570	1157 - 195mm	174	145	140
2571	1148 - 200mm	179	145	140
2572	1158 - 210mm	189	160	156

Copyright and ownership of this drawing is vested in EFT, Euro Facade Systems Ltd, whose prior written consent is required for its use, reproduction or for publication to any third party. All other rights reserved. Subject to modifications.



comar
ARCHITECTURAL ALUMINIUM SYSTEMS

Changes reserved
Sous reserve de modifications
Änderungen vorbehalten

Issue: 05
Date : 03-17

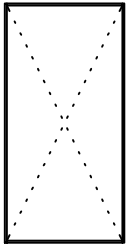
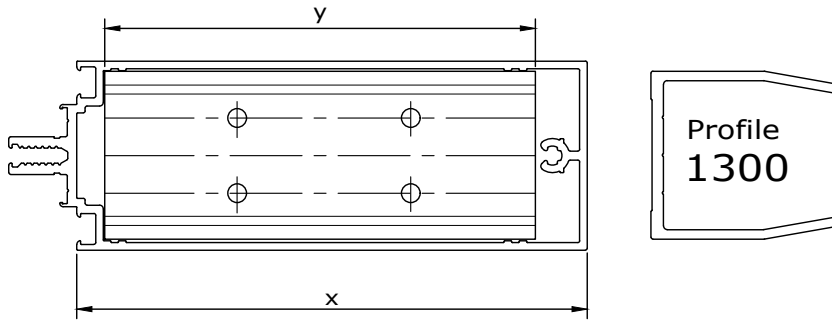
Copyright and ownership of this drawing is vested in EFT, Euro Facade Systems Ltd, whose prior written consent is required for its use, reproduction or for publication to any third party. All other rights reserved.

6

Fabrication

Comar 6EFT

Transom cleat size



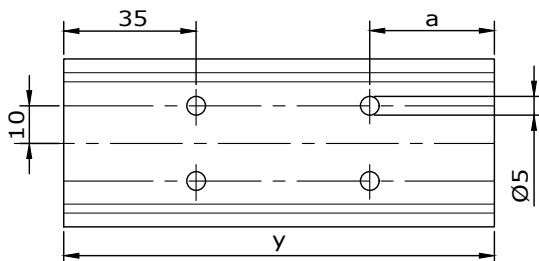
Cleat length (y) = Transom size (x) - 21mm

6.09

Transom number	Transom Size (x)	Cleat part no.	Cleat length (y)	Hole Ctr (a)
1149	45mm	N/A	N/A	N/A
1150	60mm	N/A	N/A	N/A
1151	85mm	2551	64mm	N/A
1143	85mm	2551	64mm	N/A
1164	105mm	2564	84mm	20mm
1144	115mm	Cut by Fab	94mm	See 6.10
1152	135mm	2552	114mm	35mm
1145	150mm	2554	129mm	20mm
1154	150mm	2554	129mm	20mm
1147	175mm	Cut by Fab	154mm	See 6.10
1156	180mm	2556	159mm	25&50mm
1157	195mm	2557	174mm	25mm
1148	200mm	Cut by Fab	179mm	See 6.10
1158	210mm	2558	189mm	25mm

Fabricators Guide

4 screws 3025 (4.8 x 13)
Max. glass weight = 250kg



Changes reserved
Sous reserve de modifications
Änderungen vorbehalten

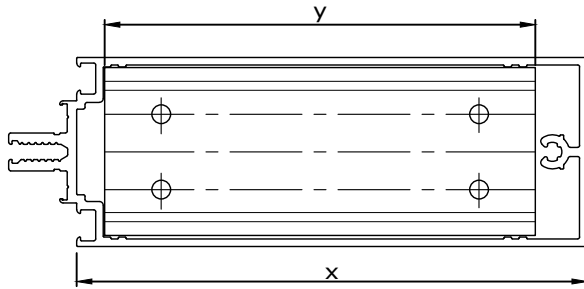
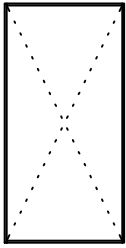
Issue: 05
Date : 03-17

Fabrication

6

Comar 6EFT

Transom cleat sizes



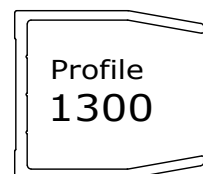
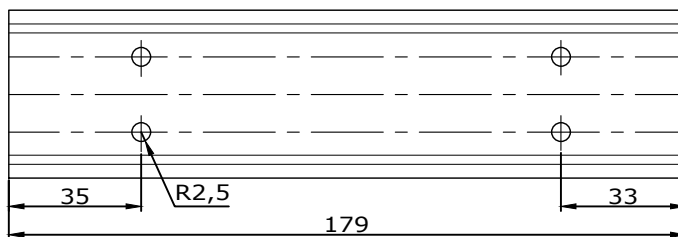
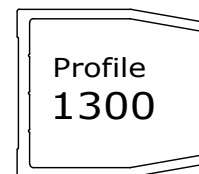
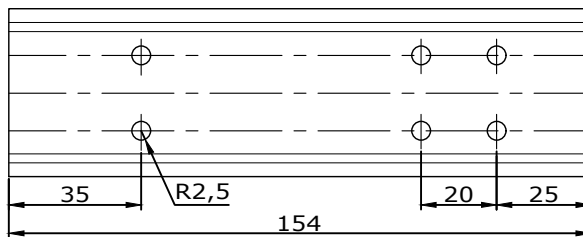
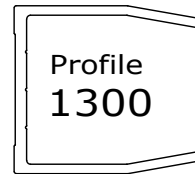
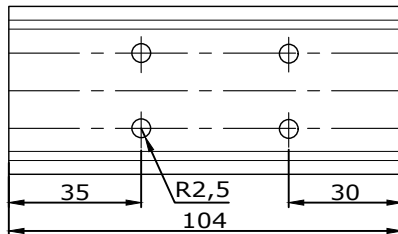
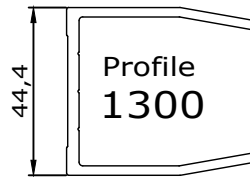
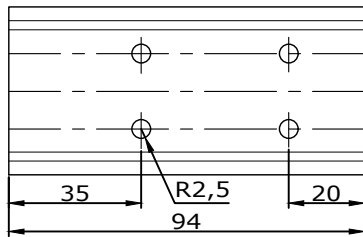
6.10

Transom number	Transom Size (x)	Cleat length (y)
1144	115mm	94mm
1147	175mm	154mm
1148	200mm	179mm

4 screws 3025(4.8 x 13)
Max. glass weight = 250kg

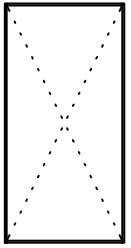
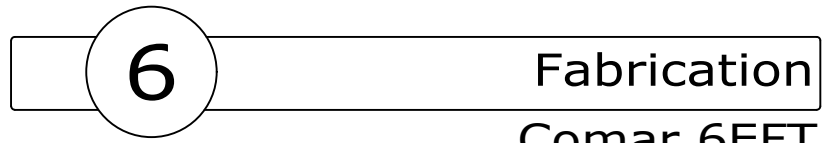
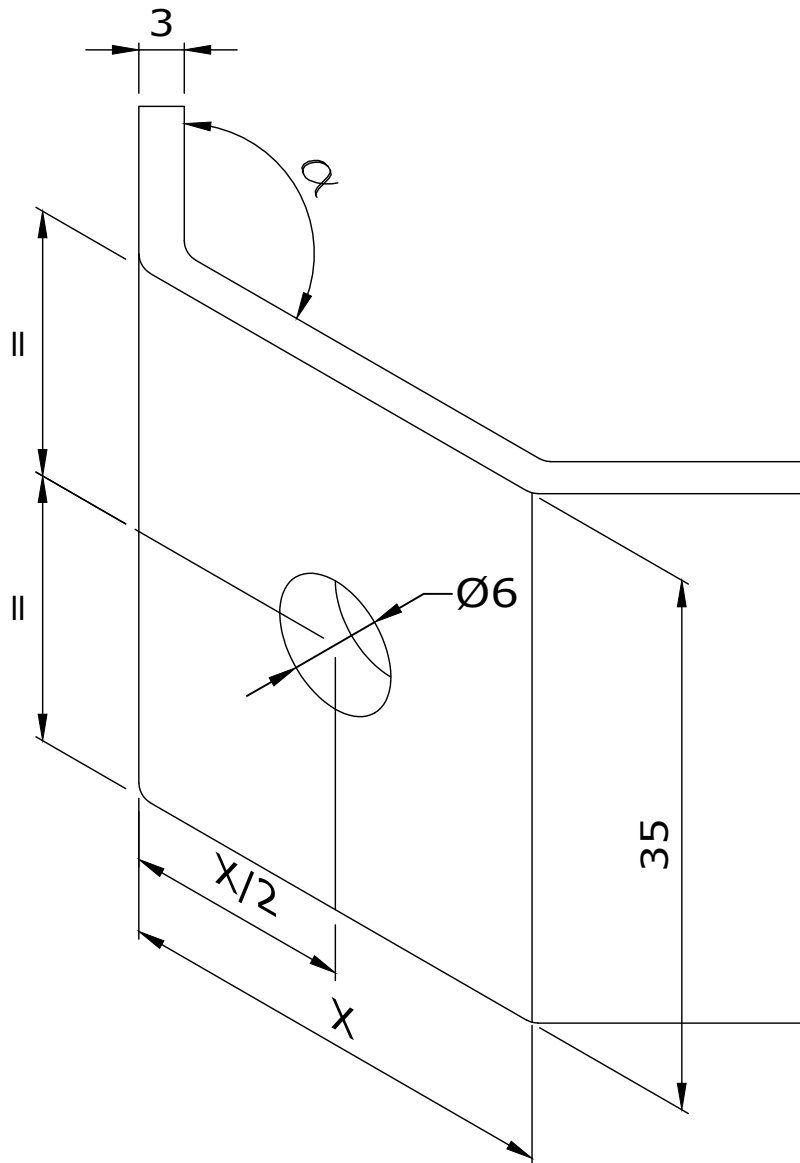
Copyright and ownership of this drawing is vested in EFT, Euro Facade Systems Ltd, whose prior written consent is required for its use, reproduction or for publication to any third party. All other rights reserved. Subject to modifications.

Fabricators Guide



Copyright and ownership of this drawing is vested in EFT, Euro Facade Systems Ltd, whose prior written consent is required for its use, reproduction or for publication to any third party. All other rights reserved.

Facetted clamp



6.11

Fabricators Guide

Facetted clamps to be made to required angle α .

Material : Stainless steel

Clamps to be screwed to mullion with suitable length screw.
Length of screw is dependant on design of clamp and angle
of facetted joint.

For additional clamp information contact Comar's technical department.

Changes reserved
Sous reserve de modifications
Änderungen vorbehalten

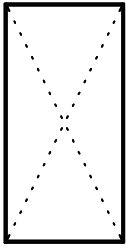
Issue: 05
Date : 10-16

Profile Sections

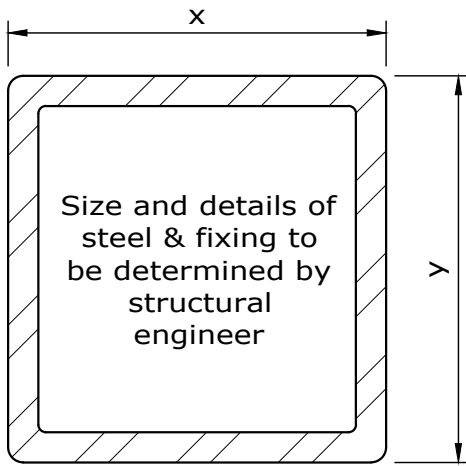
6

Comar 6EFT

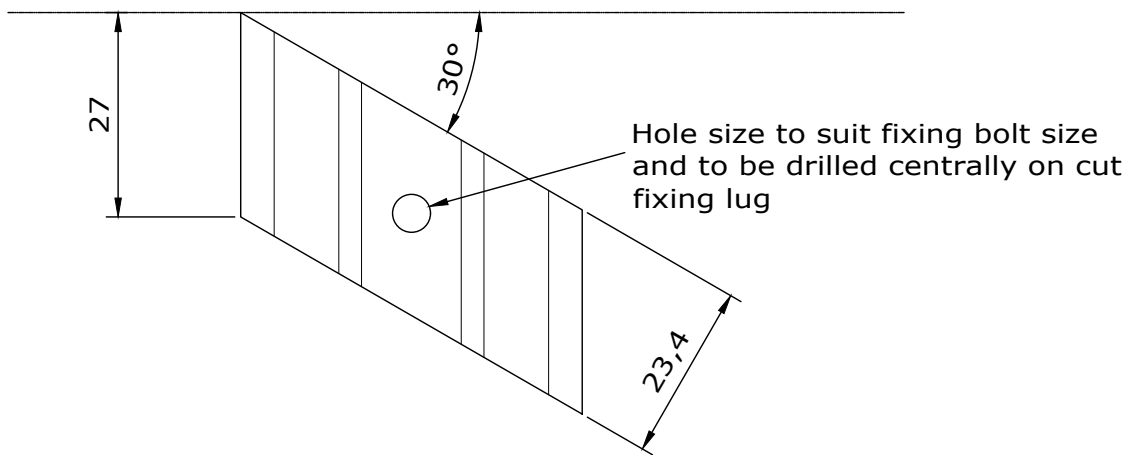
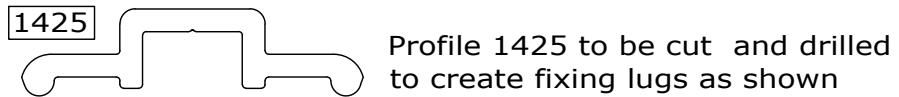
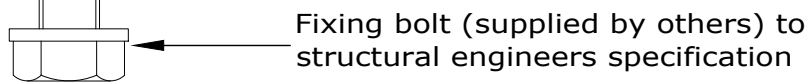
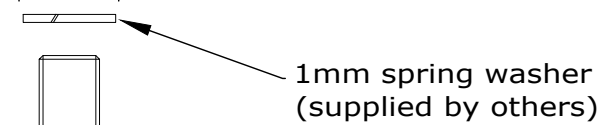
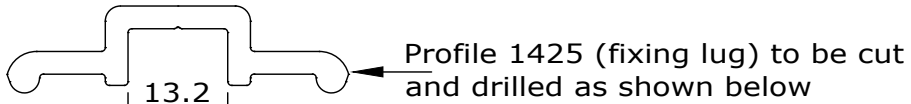
Direct fix to steel
fixing lug preparation



6.12



Aluminium to steel isolator
(supplied by others)



Fabricators Guide

Copyright and ownership of this drawing is vested in EFT, Euro Facade Systems Ltd, whose prior written consent is required for its use, reproduction or for publication to any third party. All other rights reserved. Subject to modifications.

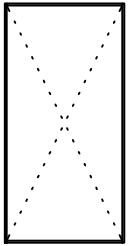
Copyright and ownership of this drawing is vested in EFT, Euro Facade Systems Ltd, whose prior written consent is required for its use, reproduction or for publication to any third party. All other rights reserved.

6

Fabrication

Comar 6EFT

Mullion sleeve plate
85 mm (1070)
105 mm (1072)



6.13

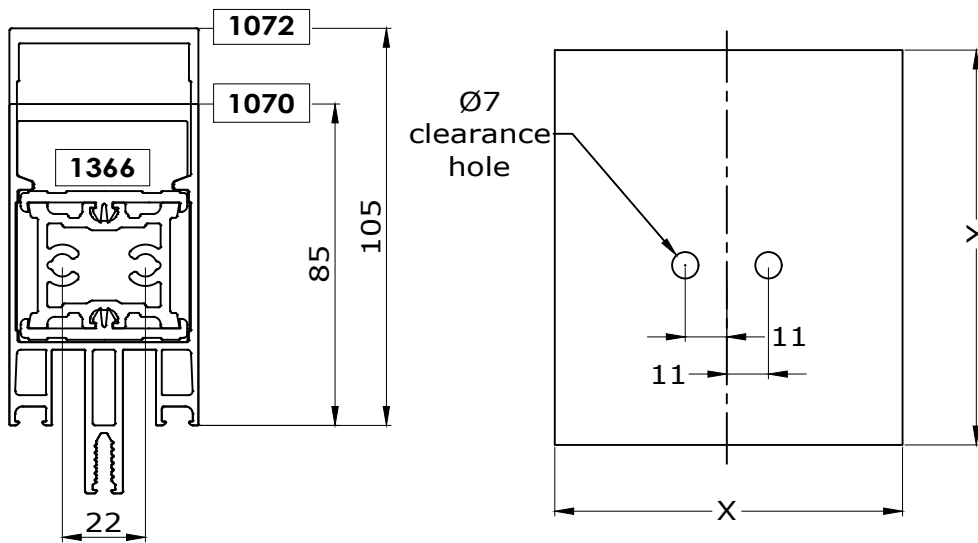
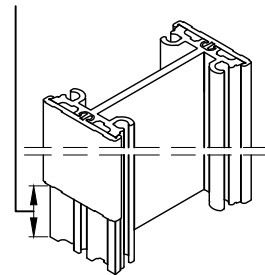


Plate supplied by others

Use Ø6.3mm number 14 x 25mm self tapping screw, countersunk (supplied by others) or plate can be welded.

Length & width of plate and anchor bolts to be determined by site conditions and to structural engineers specification.

Front plastic cover cap cut back as needed to fit EPDM



Fabricators Guide

Changes reserved
Sous reserve de modifications
Änderungen vorbehalten

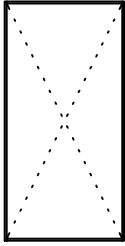
Issue: 05
Date: 10-16

Fabrication

6

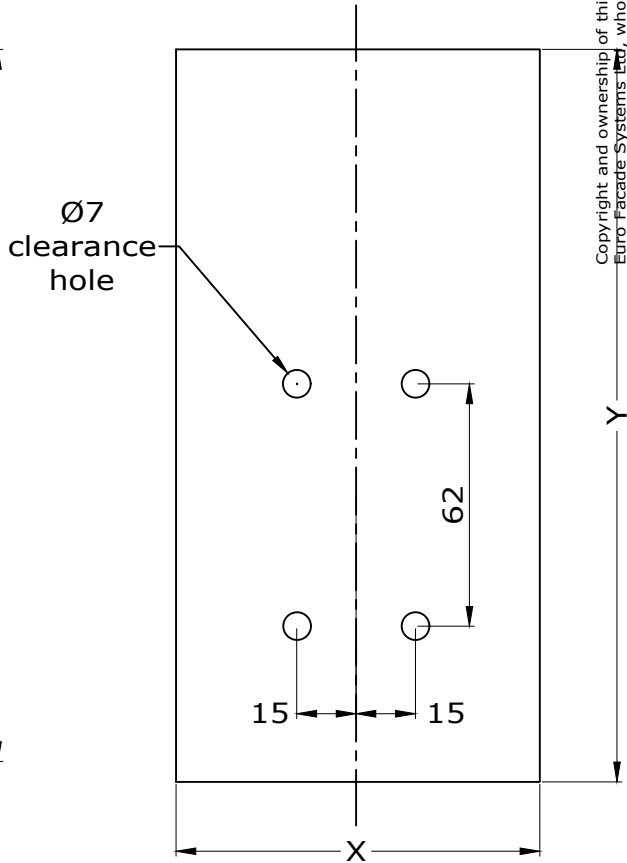
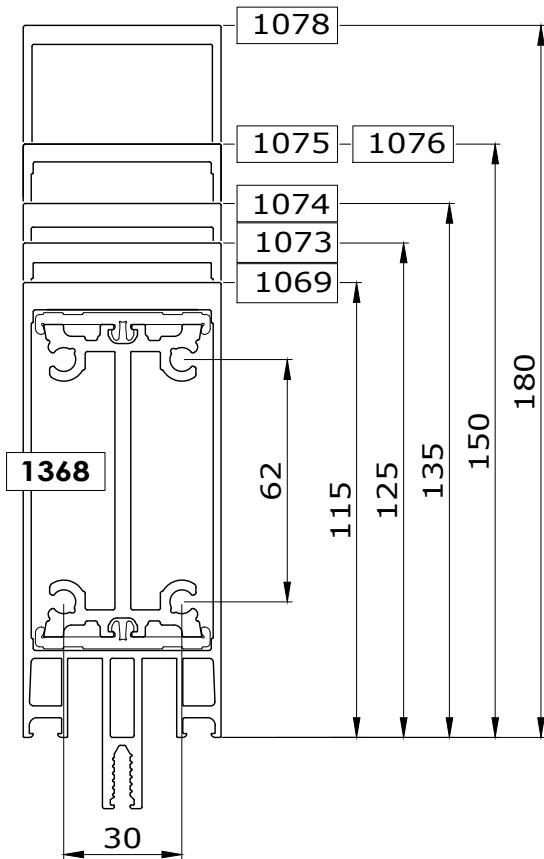
Comar 6EFT

Mullion Sleeve Plate 115mm(1069),125mm(1073) 135mm(1074),150mm(1075) 150mm(1076),180mm(1078)



6.14

Fabricators Guide



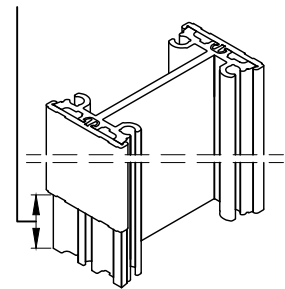
Copyright and ownership of this drawing is vested in EFT, Euro Facade Systems Ltd, whose prior written consent is required for its use, reproduction or for publication to any third party. All other rights reserved. Subject to modifications.

Plate supplied by others

Use Ø6.3mm number 14 x 25mm self tapping screw, countersunk (supplied by others) or plate can be welded.

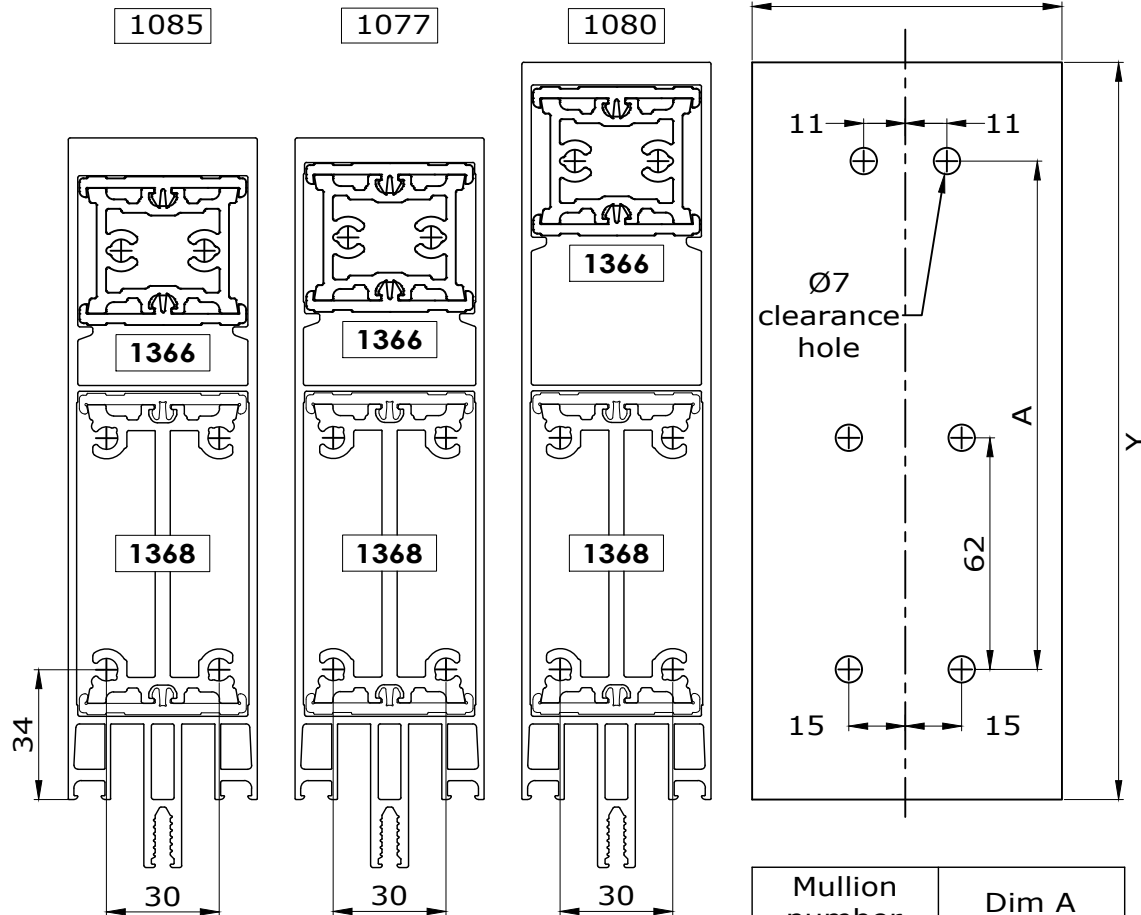
Length & width of plate and anchor bolts to be determined by site conditions and to structural engineers specification.

Front plastic cover cap cut back as needed to fit EPDM



Mullion sleeve plate
175mm (1085), 175mm (1077)
195 mm (1080)

Copyright and ownership of this drawing is vested in EFT,
Euro Facade Systems Ltd, whose prior written consent is required
for its use, reproduction or for publication to any third party.
All other rights reserved. Subject to modifications.



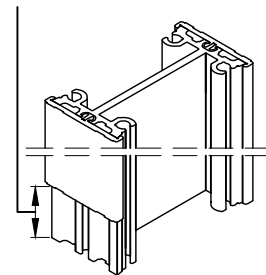
Mullion number	Dim A
1085	111
1077	114
1080	134

Plate supplied by others

Use Ø6.3mm number 14 x 25mm self tapping screw, countersunk (supplied by others) or plate can be welded.

Length & width of plate and anchor bolts to be determined by site conditions and to structural engineers specification.

Front plastic cover cap cut back as needed to fit EPDM



Changes reserved
Sous reserve de modifications
Änderungen vorbehalten

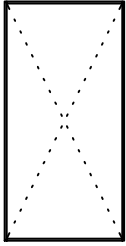
Issue: 05
Date: 10-16

Fabrication

6

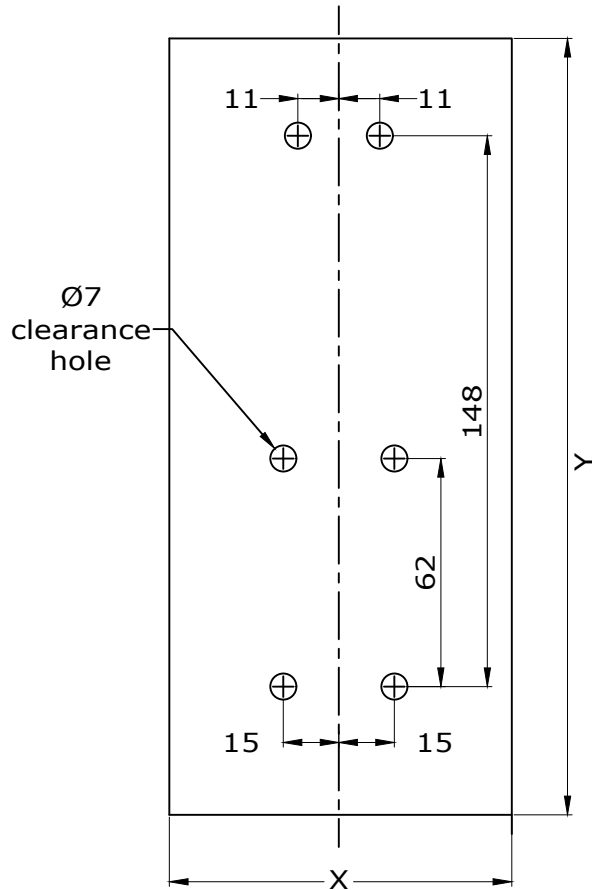
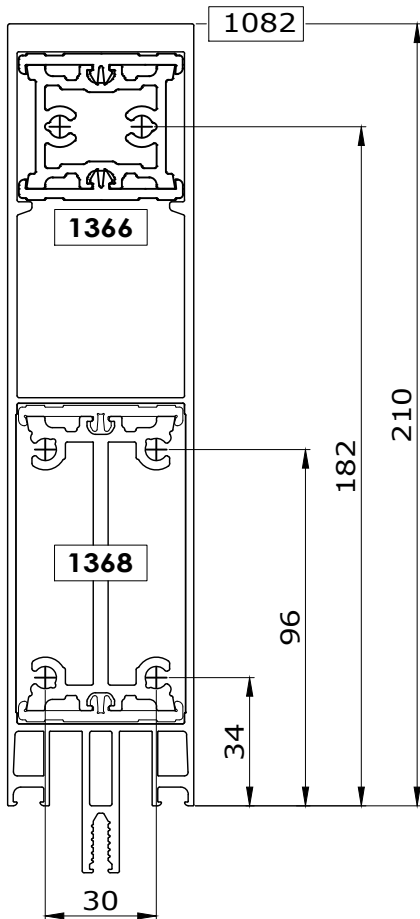
Comar 6EFT

Mullion sleeve plate 210 mm (1082)



6.16

Fabricators Guide



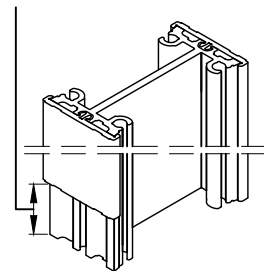
Copyright and ownership of this drawing is vested in EFT, Euro Facade Systems Ltd, whose prior written consent is required for its use, reproduction or for publication to any third party. All other rights reserved. Subject to modifications.

5mm thick aluminium plate supplied by others

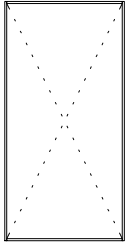
Use Ø6.3mm number 14 x 25mm self tapping screw, countersunk (supplied by others) or plate can be welded.

Length & width of plate and anchor bolts to be determined by site conditions and to structural engineers specification.

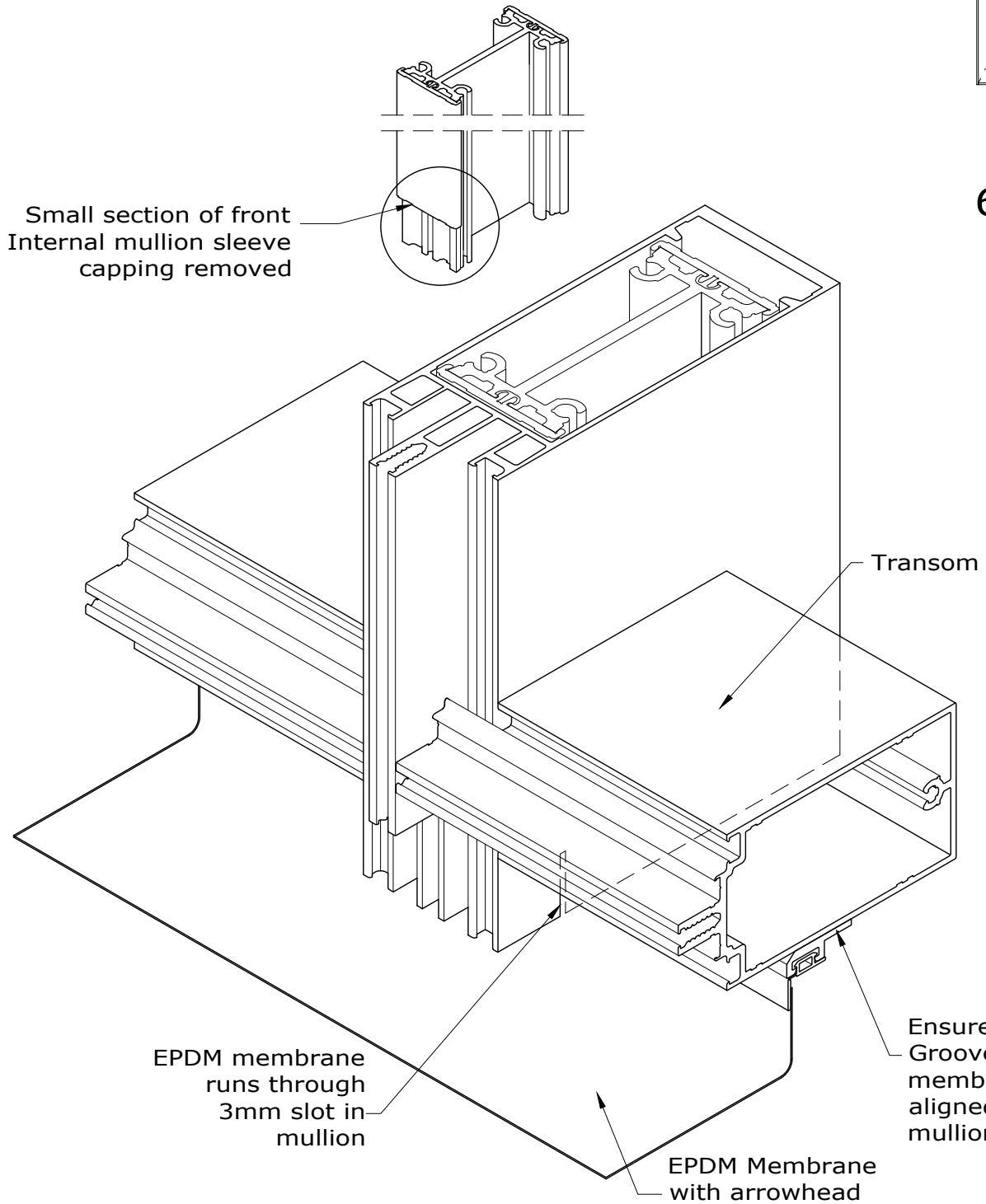
Front plastic cover cap cut back as needed to fit EPDM



EPDM membrane Transom Sill, Head & Mullion preparation



6.17

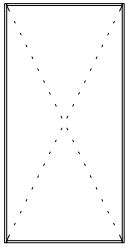


Fabrication

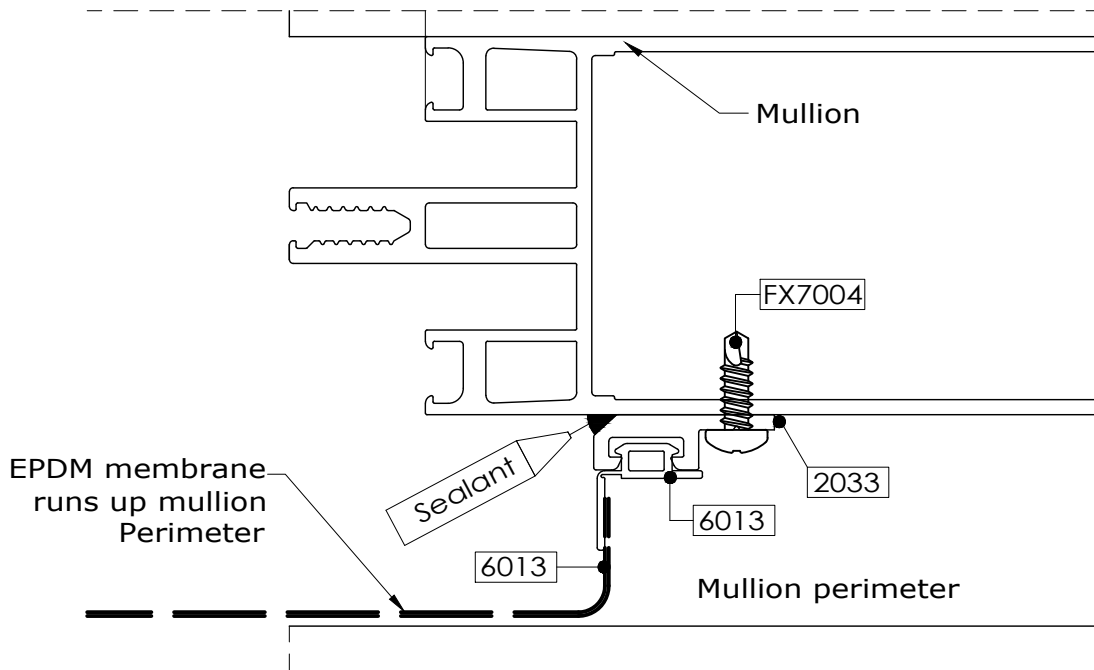
6

Comar 6EFT

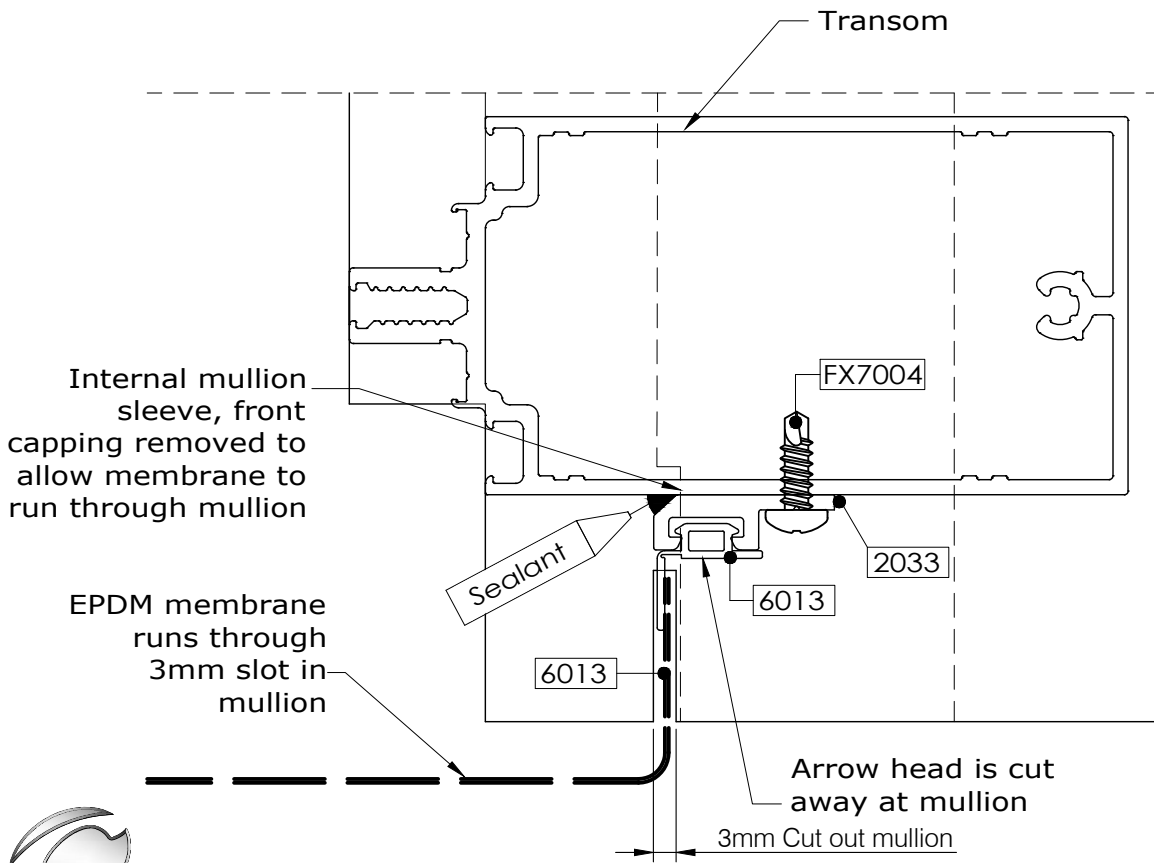
EPDM membrane Curtain wall perimeter Preparation



6.18



Fabricators Guide



Copyright and ownership of this drawing is vested in EFT, Euro Facade Systems Ltd, whose prior written consent is required for its use, reproduction or for publication to any third party. All other rights reserved. Subject to modifications.

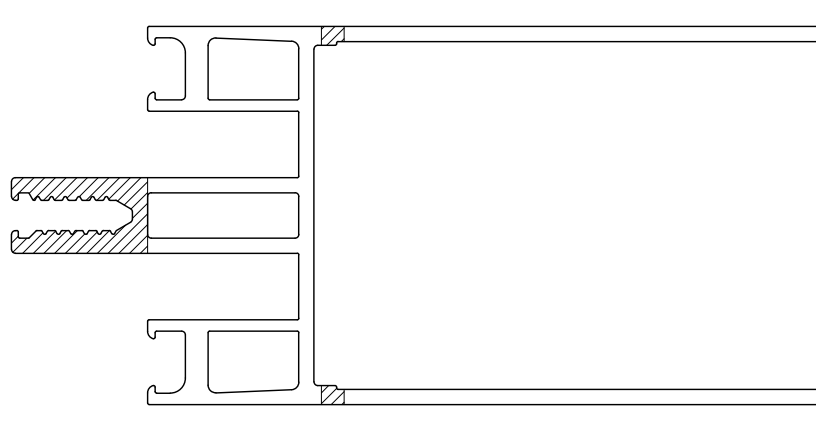
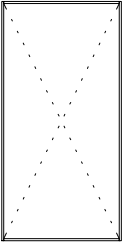


Copyright and ownership of this drawing is vested in EFT, Euro Facade Systems Ltd, whose prior written consent is required for its use, reproduction or for publication to any third party. All other rights reserved.

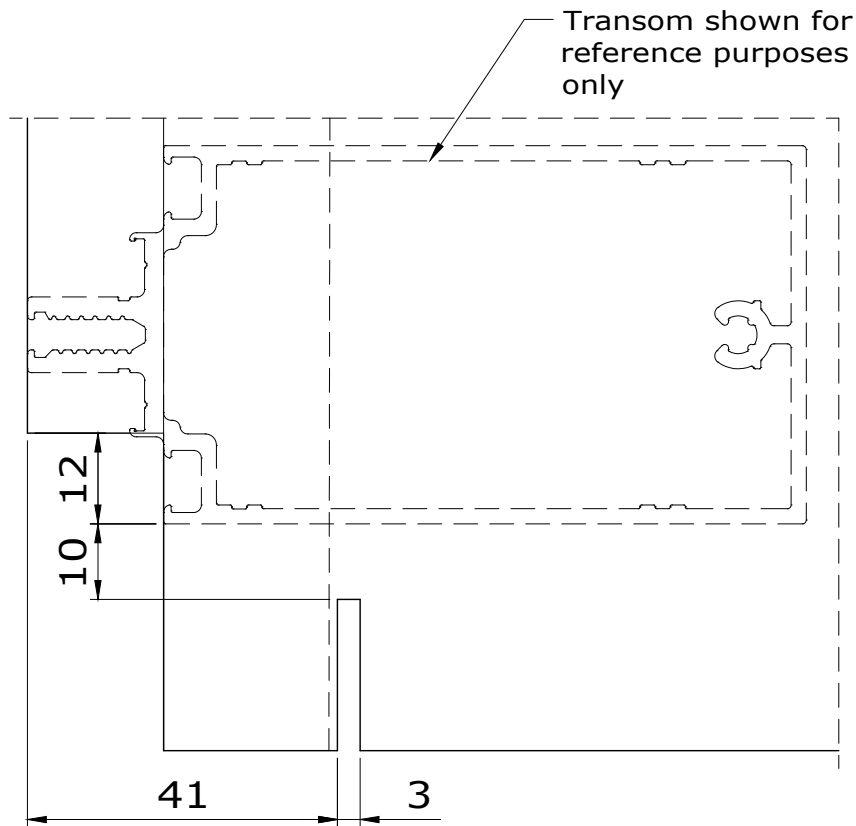
EPDM membrane Mullion preparation Slot cutting details

6

Fabrication
Comar 6EFT



6.19



Fabricators Guide

Changes reserved
Sous reserve de modifications
Änderungen vorbehalten

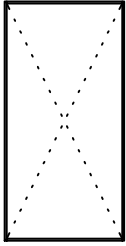
Issue: 05
Date: 10-16

Fabrication

6

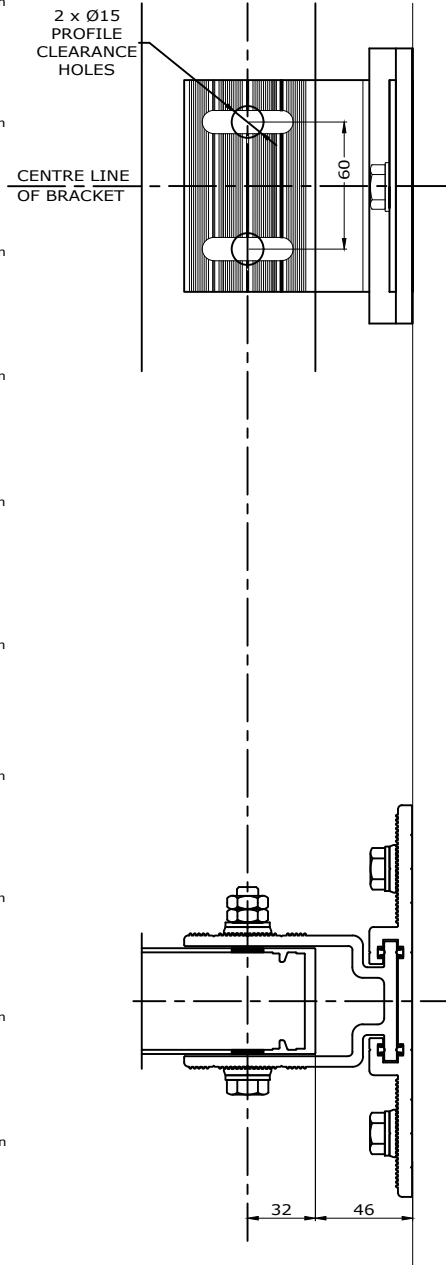
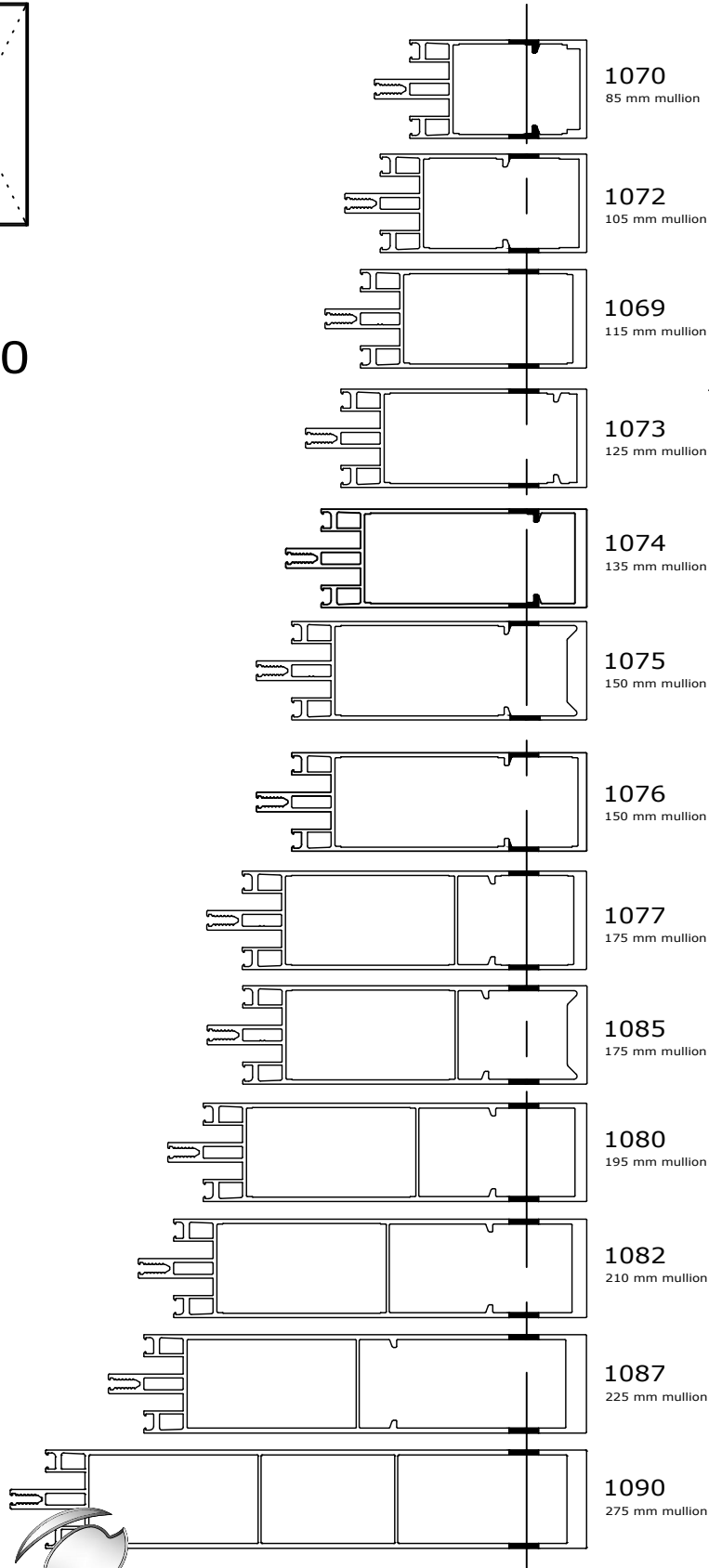
Comar 6EFT

Fixing bracket hole prep



6.20

Fabricators Guide



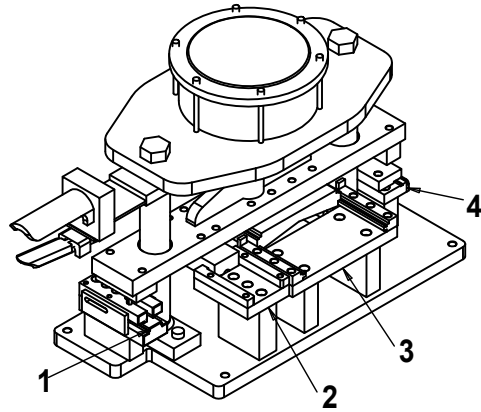
Copyright and ownership of this drawing is vested in EFT, Euro Facade Systems Ltd, whose prior written consent is required for its use, reproduction or for publication to any third party. All other rights reserved. Subject to modifications.

Copyright and ownership of this drawing is vested in EFT, Euro Facade Systems Ltd, whose prior written consent is required for its use, reproduction or for publication to any third party. All other rights reserved.

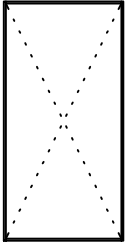
6

Fabrication Comar 6EFT

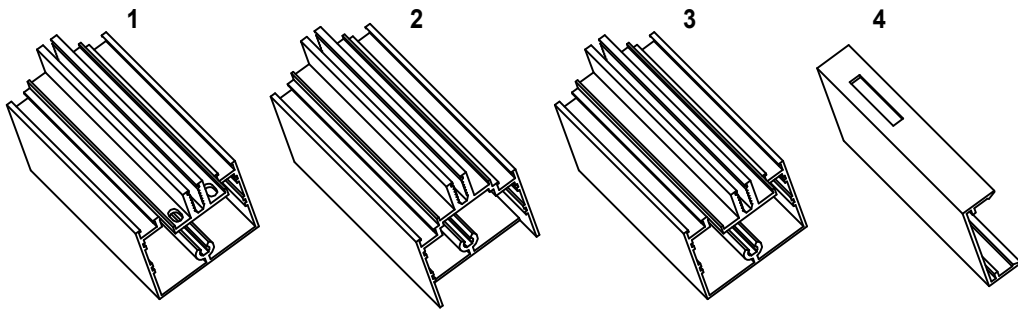
Tooling



Preparations:
As per drawing 6.23
transom end notch

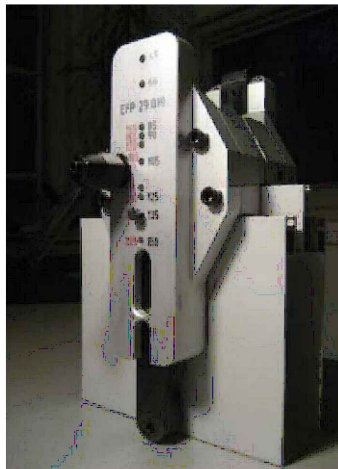
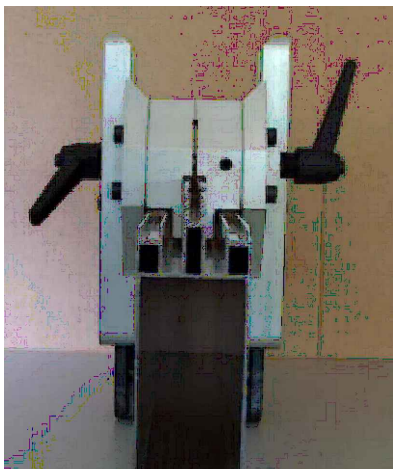


6.21



Tool: Pneumatic punch tool Com6-EFT-T13

Mullion - Transom connection



Tool: Com6-EFT-Jig 1

Changes reserved
Sous reserve de modifications
Änderungen vorbehalten

Issue: 05
Date : 10-16



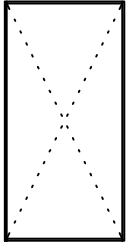
comar
ARCHITECTURAL ALUMINIUM SYSTEMS

Fabrication

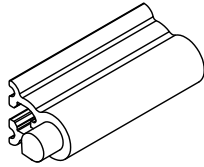
6

Comar 6EFT

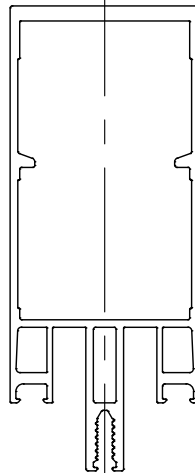
Mullion preparation



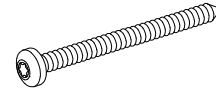
Transoms installed in between ladders



EFT 2310



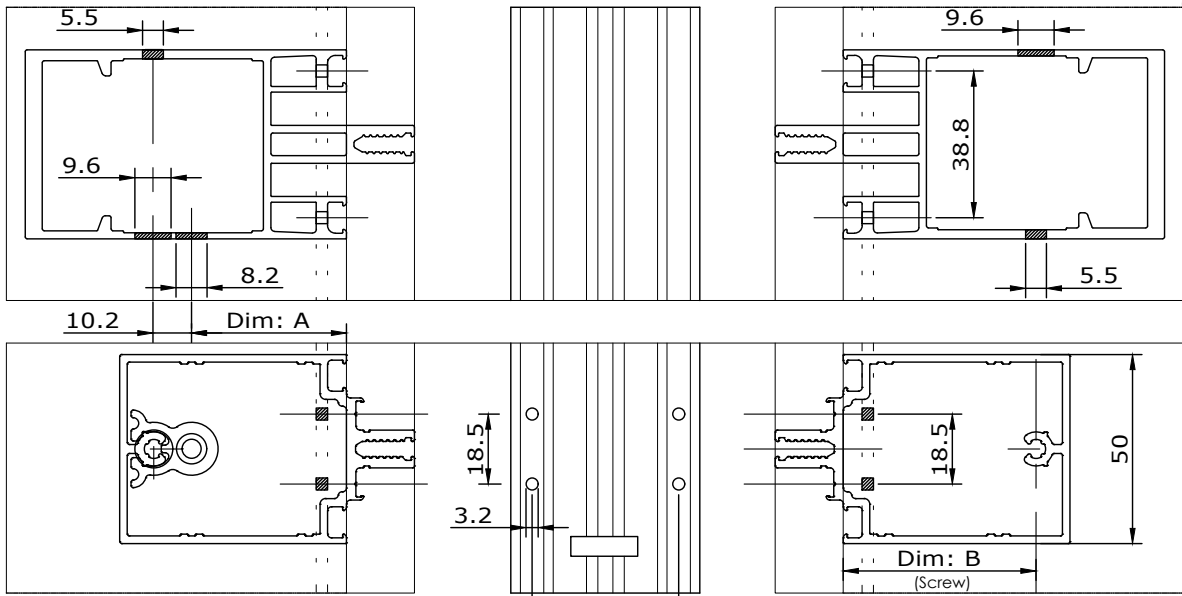
Ladder / unit



3022 (4.8 x 65)

6.22

Fabricators Guide



Transom no:		Dim: A
EFT 1149	45 mm	25.2
EFT 1150	60 mm	40.2
EFT 1151	85 mm	65.2
EFT 1143	85 mm	65.0
EFT 1164	105 mm	85.0
EFT 1144	115 mm	95.0
EFT 1152	135 mm	115.0
EFT 1154	150 mm	130.0
EFT 1145	150 mm	130.0
EFT 1147	175 mm	155.0
EFT 1156	180 mm	160.0
EFT 1157	195 mm	175.0
EFT 1158	210 mm	180.0
EFT 1148	200 mm	190.0

Transom no:		Dim: B
EFT 1149	45 mm	35.4
EFT 1150	60 mm	50.4
EFT 1151	85 mm	75.4
EFT 1143	85 mm	75.2
EFT 1164	105 mm	95.2
EFT 1144	115 mm	105.2
EFT 1152	135 mm	125.2
EFT 1154	150 mm	140.2
EFT 1145	150 mm	140.2
EFT 1147	175 mm	165.2
EFT 1156	180 mm	170.2
EFT 1157	195 mm	185.2
EFT 1148	200 mm	190.2
EFT 1158	210 mm	200.2

Copyright and ownership of this drawing is vested in EFT, Euro Facade Systems Ltd, whose prior written consent is required for its use, reproduction or for publication to any third party. All other rights reserved. Subject to modifications.



6

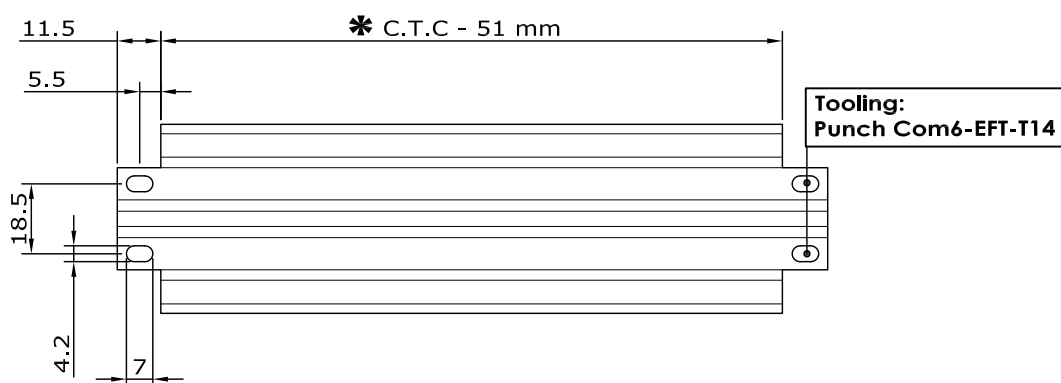
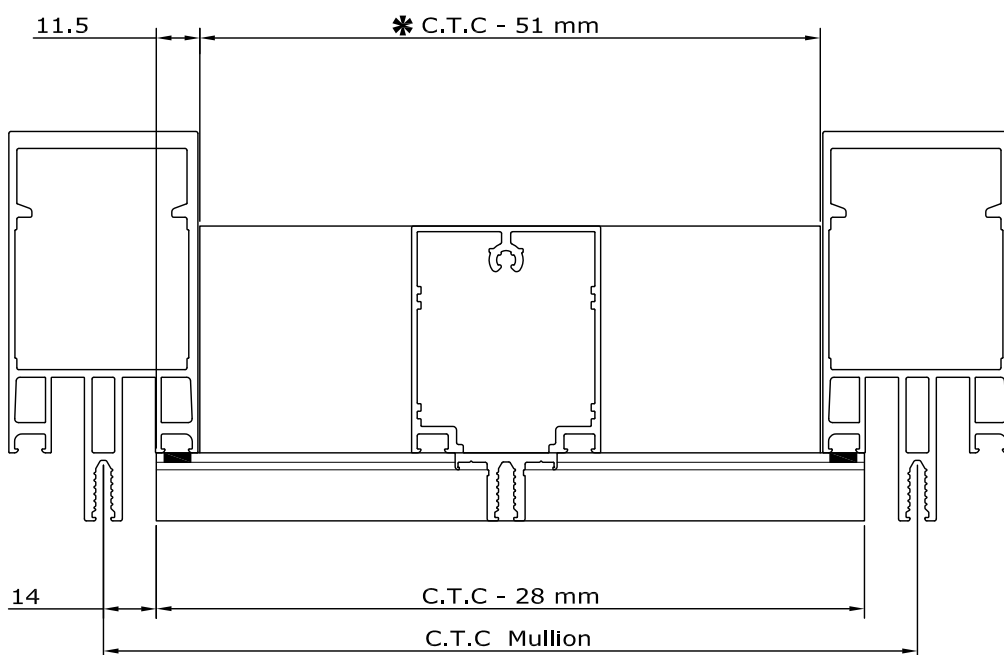
Fabrication
Comar 6EFT

Transom preparation

Copyright and ownership of this drawing is vested in EFT, Euro Facade Systems Ltd, whose prior written consent is required for its use, reproduction or for publication to any third party. All other rights reserved. Subject to modifications.



6.23



Fabricators Guide

*** For pre-fabricated units use C.T.C-50mm (ladders)**

*** For faceted transom preparation please contact Comar's technical department.**

Changes reserved
Sous reserve de modifications
Änderungen vorbehalten

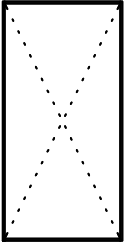
Issue: 05
Date: 03-17

Fabrication

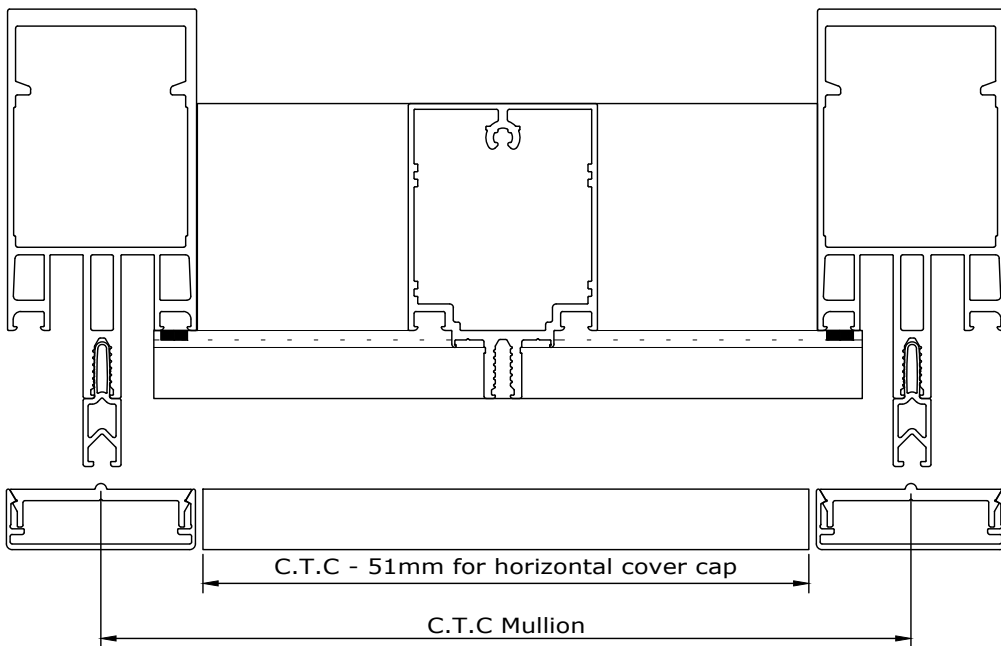
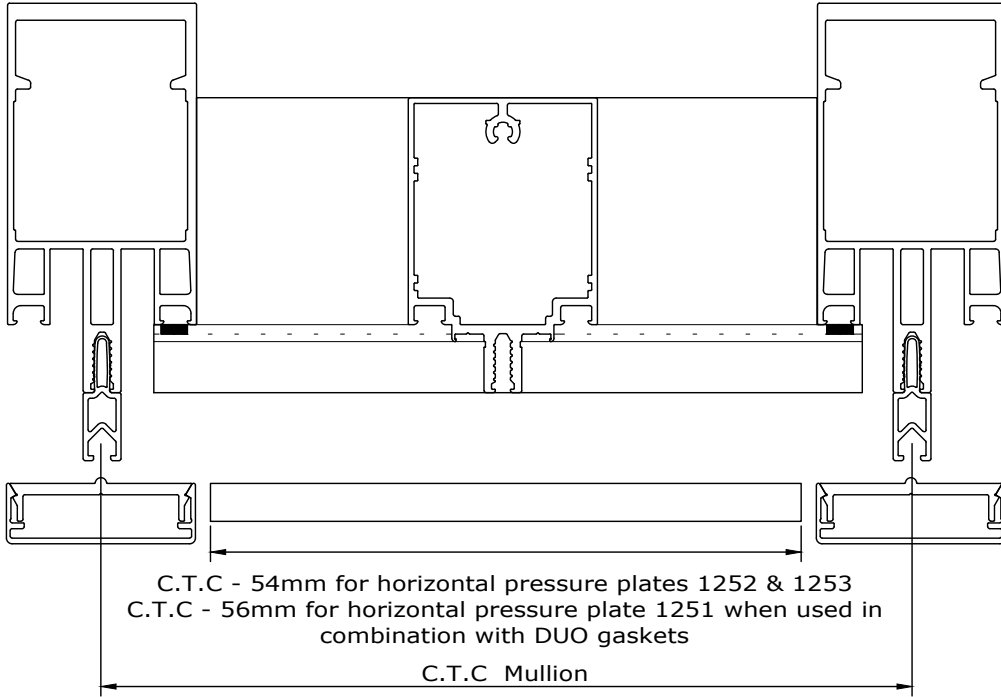
6

Comar 6EFT

Horizontal pressure plate & horizontal cover cap



6.24



Copyright and ownership of this drawing is vested in EFT, Euro Facade Systems Ltd, whose prior written consent is required for its use, reproduction or for publication to any third party. All other rights reserved. Subject to modifications.

Fabricators Guide

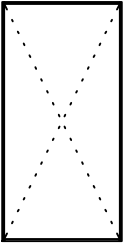


comar
ARCHITECTURAL ALUMINIUM SYSTEMS

Changes reserved
Sous reserve de modifications
Änderungen vorbehalten

Issue: 05
Date : 03 -17

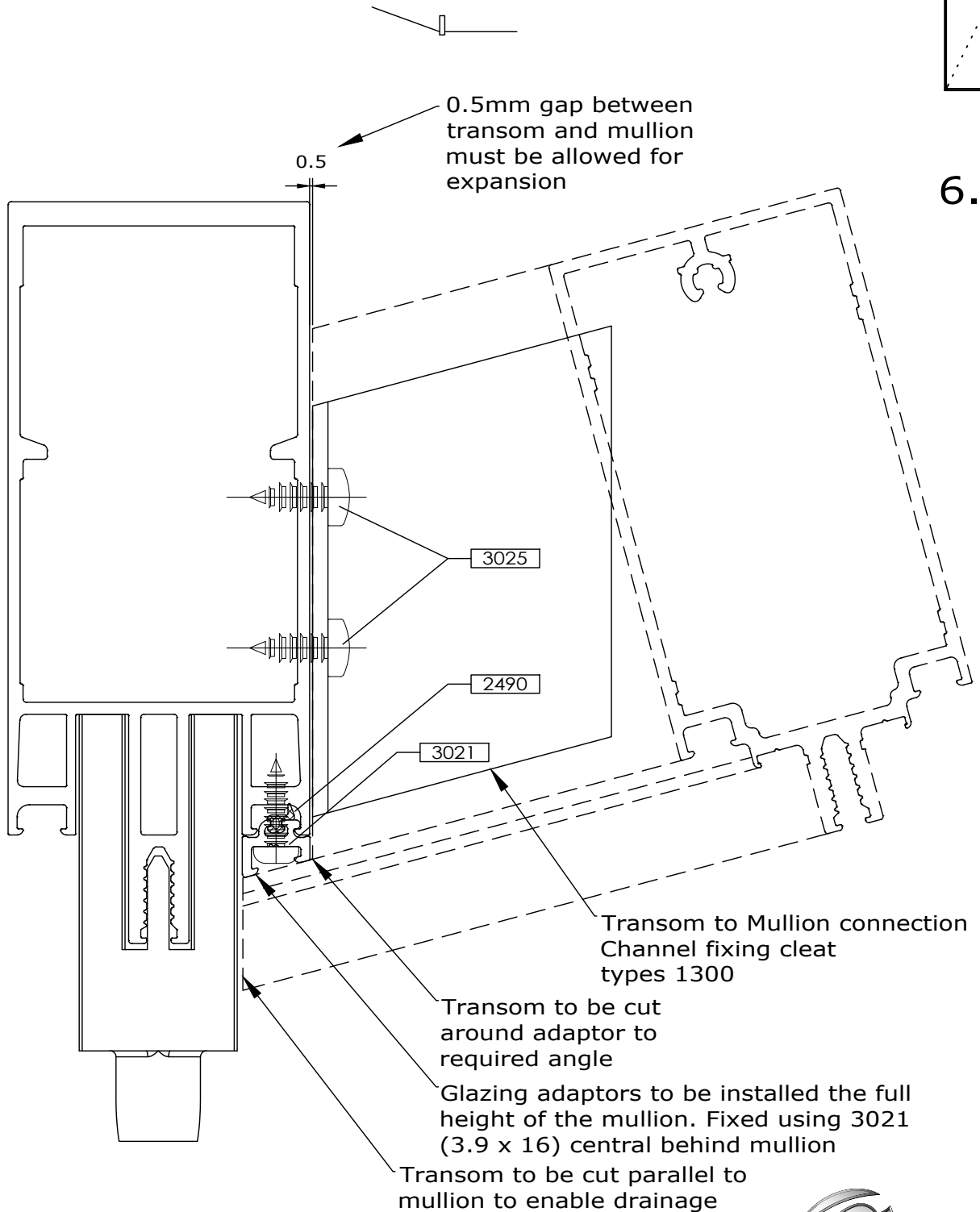
Facetted transom preparation
External Corner



6.25

Fabricators Guide

Copyright and ownership of this drawing is vested in EFT, Euro Facade Systems Ltd, whose prior written consent is required for its use, reproduction or for publication to any third party. All other rights reserved.



Changes reserved
Sous reserve de modifications
Änderungen vorbehalten

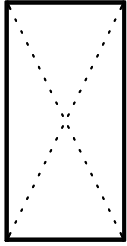
Issue: 05
Date: 10-16

Fabrication

6

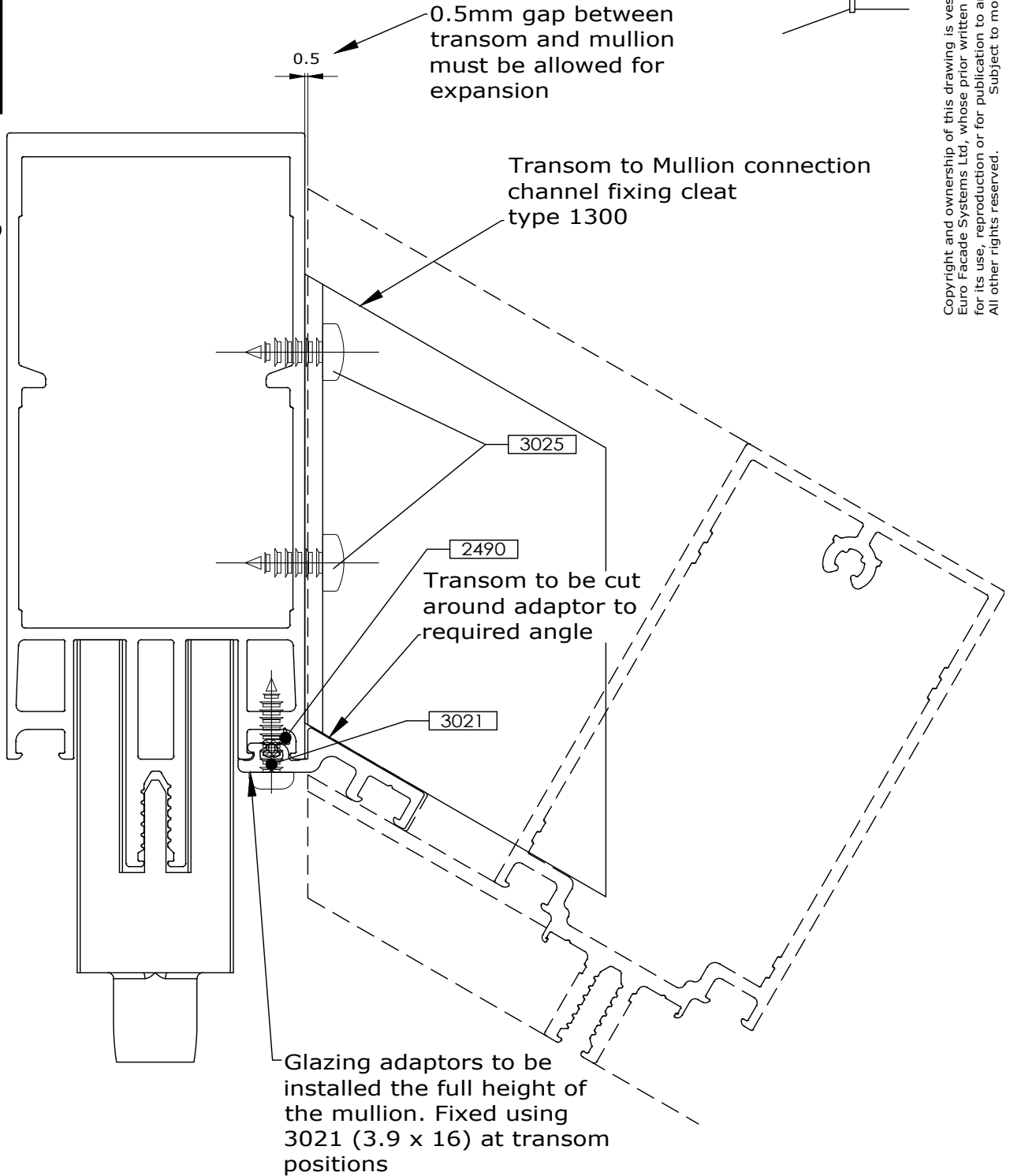
Comar 6EFT

Facetted transom preparation Internal Corner



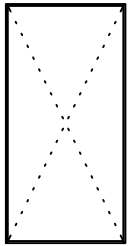
6.26

Fabricators Guide



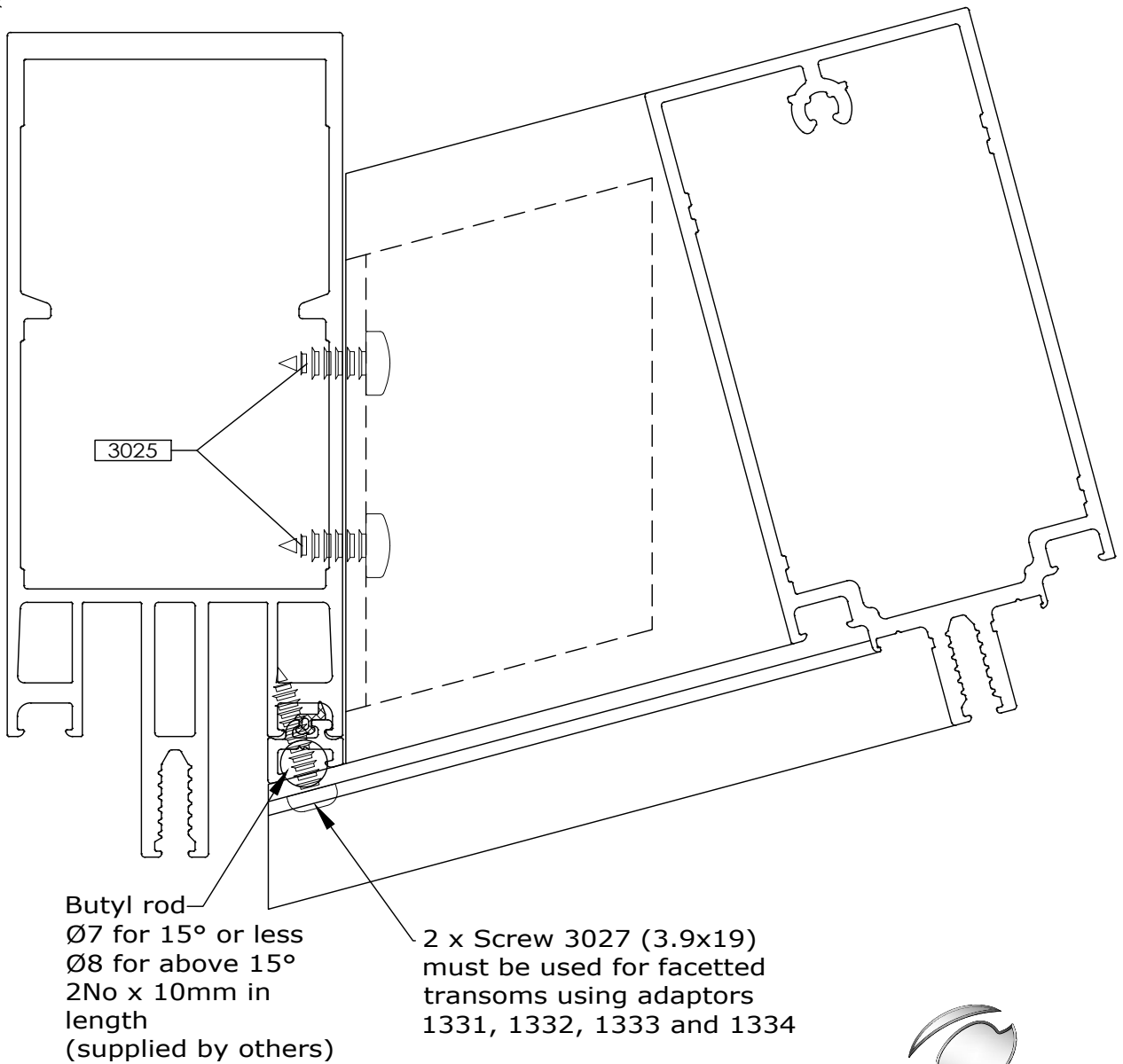
Copyright and ownership of this drawing is vested in EFT, Euro Facade Systems Ltd, whose prior written consent is required for its use, reproduction or for publication to any third party. All other rights reserved. Subject to modifications.

Fixing facatted transoms
External Corner



6.27

Copyright and ownership of this drawing is vested in EFT,
Euro Facade Systems Ltd, whose prior written consent is required
for its use, reproduction or for publication to any third party.
All other rights reserved.



Butyl rod
Ø7 for 15° or less
Ø8 for above 15°
2No x 10mm in
length
(supplied by others)

2 x Screw 3027 (3.9x19)
must be used for facatted
transoms using adaptors
1331, 1332, 1333 and 1334

Fabricators Guide

Changes reserved
Sous reserve de modifications
Änderungen vorbehalten

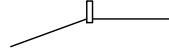
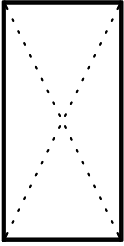
Issue: 05
Date: 10 -16

Fabrication

6

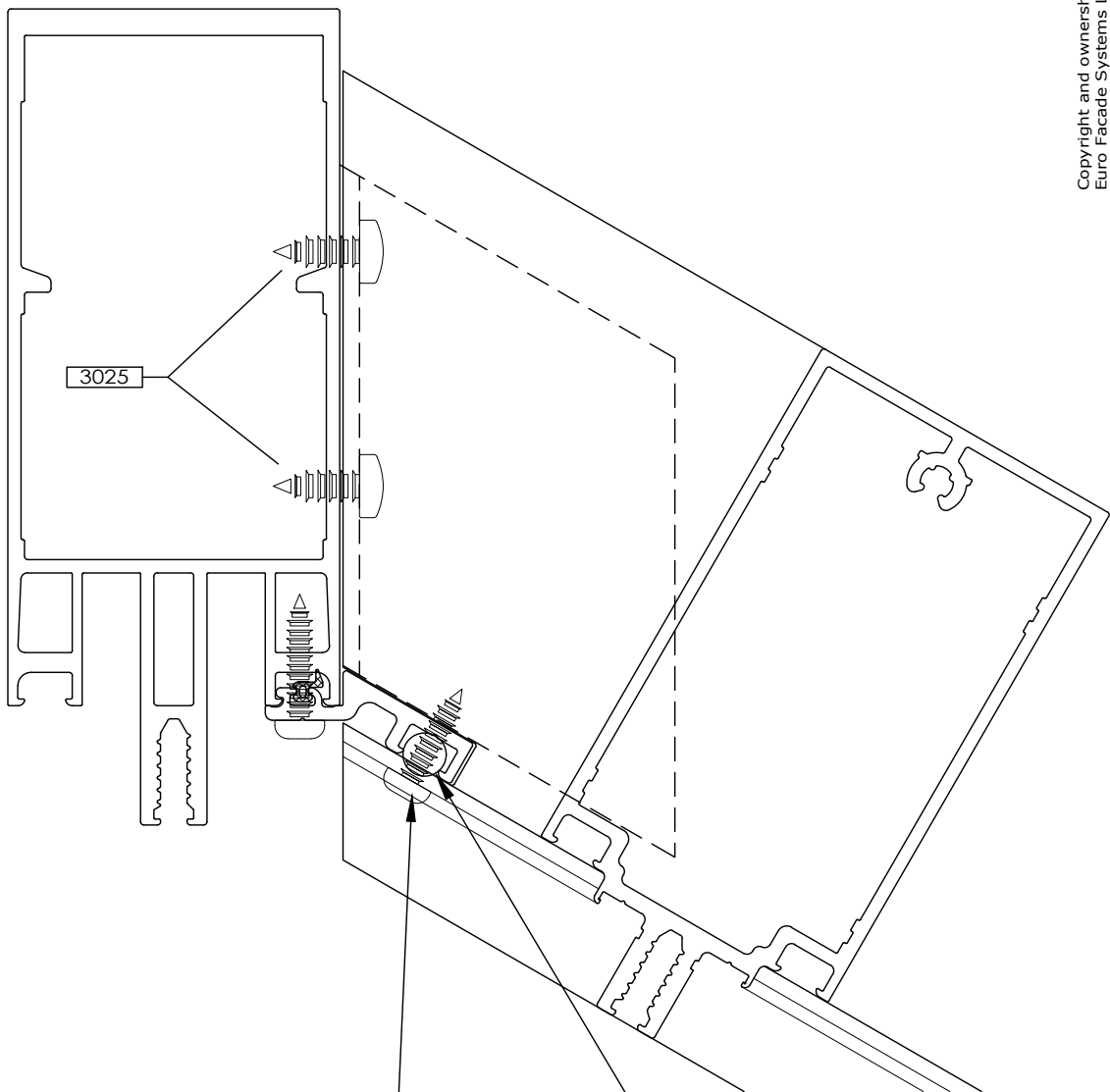
Comar 6EFT

Fixing faceted transoms Internal Corner



6.28

Fabricators Guide



Transoms to be fixed to adaptor with screws 3021 (3.9x16)

For exact angle adaptors ie 7.5°, 15° etc, use transom pad 2028. For all other angles use butyl rod, Ø8mm, 27mm long, supplied by others.

Copyright and ownership of this drawing is vested in EFT, Euro Facade Systems Ltd, whose prior written consent is required for its use, reproduction or for publication to any third party. All other rights reserved. Subject to modifications.



comar
ARCHITECTURAL ALUMINIUM SYSTEMS

Changes reserved
Sous reserve de modifications
Änderungen vorbehalten

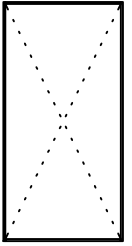
Issue: 05
Date : 10-16

Copyright and ownership of this drawing is vested in EFT, Euro Facade Systems Ltd, whose prior written consent is required for its use, reproduction or for publication to any third party. All other rights reserved.

Facatted transom cleat preparation

6

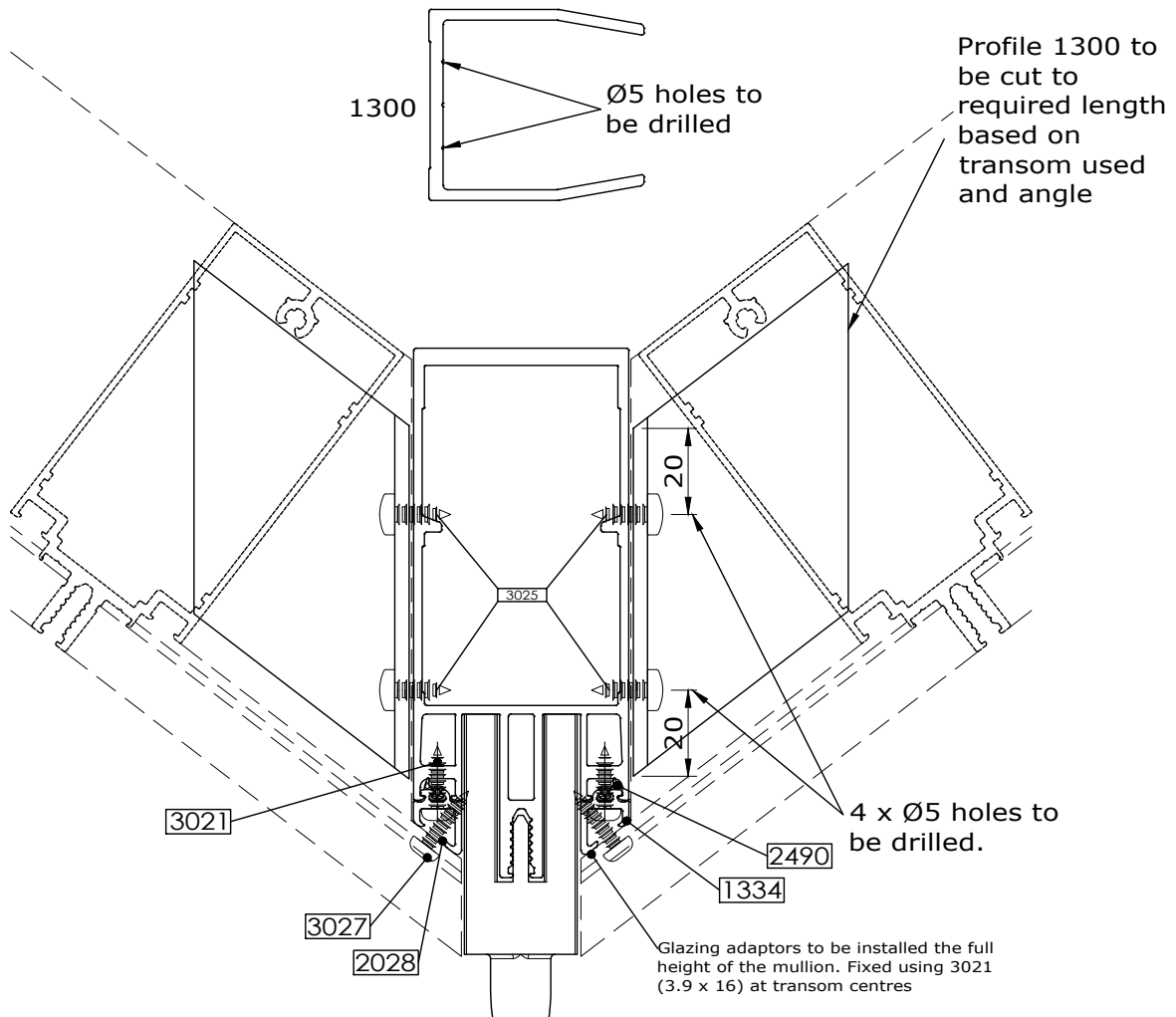
Fabrication
Comar 6EFT



Any facatted transom must be held in place by cleats made from profile 1300 (or 1305 if specified)

Same cleat preparation can be used for outward (reflex) angles.

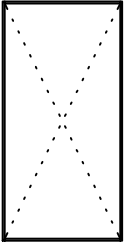
6.29



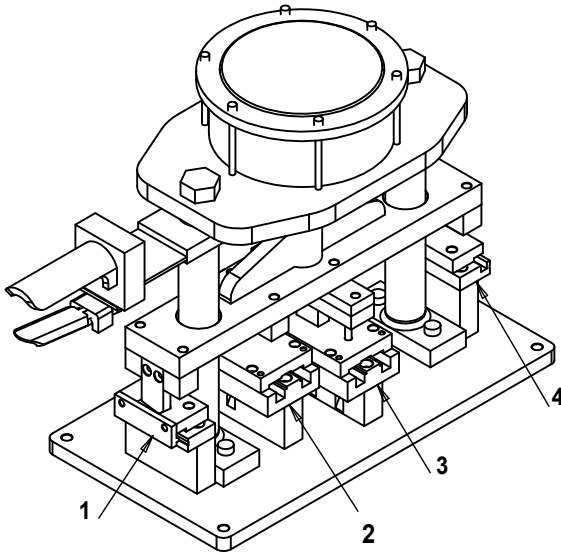
Fabricators Guide

Changes reserved
Sous reserve de modifications
Änderungen vorbehalten

Issue: 05
Date: 10-16



6.30



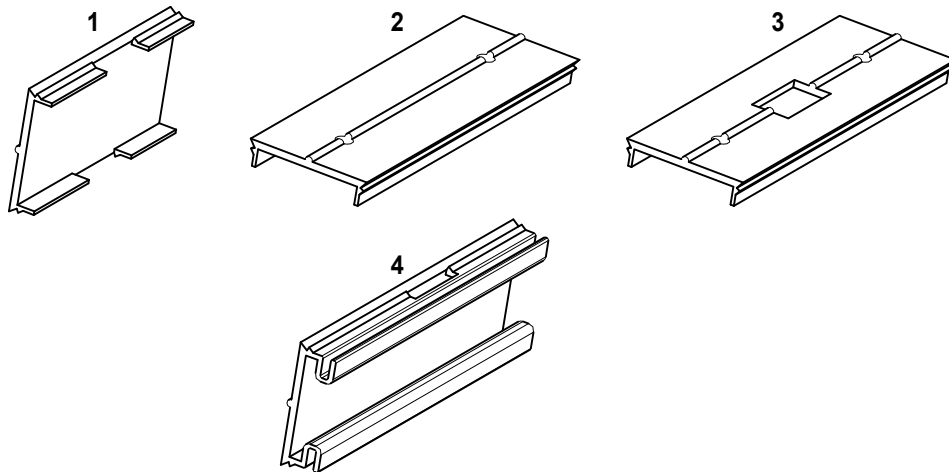
Preparations:

As per drawings: 6.31 & 6.36

- * Pressure plate fixing holes
- * Pressure plate drainage slots
- * Cover cap drainage slots
- * Transom slots
(mullion - transom connection)

Copyright and ownership of this drawing is vested in EFT,
 Euro Facade Systems Ltd, whose prior written consent is required
 for its use, reproduction or for publication to any third party.
 All other rights reserved. Subject to modifications.

Tool: Pneumatic punch tool Com6-EFT-T14

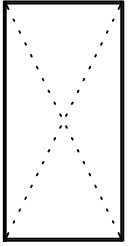


Copyright and ownership of this drawing is vested in EFT, Euro Facade Systems Ltd, whose prior written consent is required for its use, reproduction or for publication to any third party. All other rights reserved. Subject to modifications.

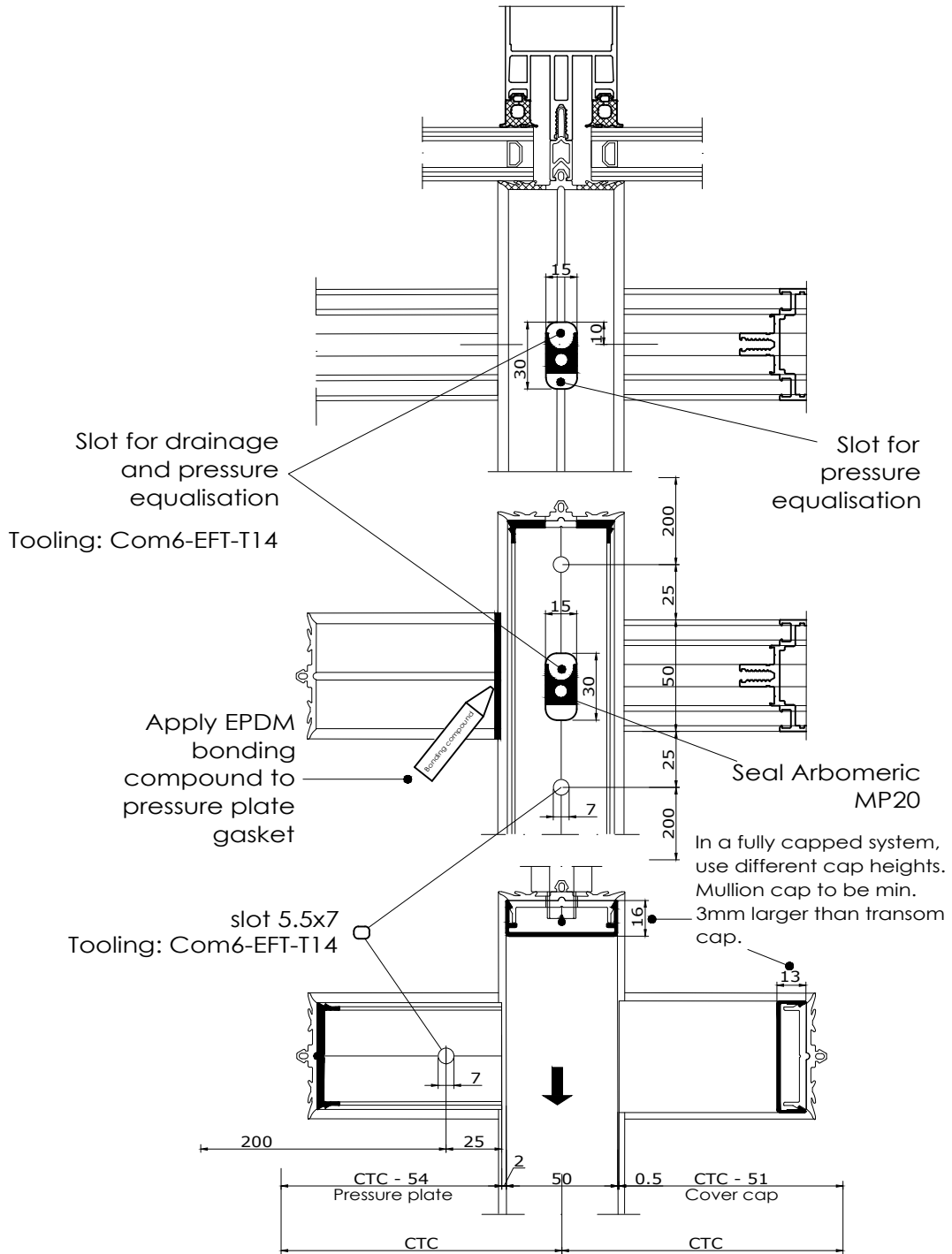
Single gasket installation

6

Fabrication Comar 6EFT



6.31

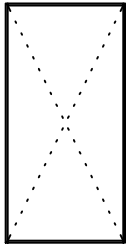


Changes reserved
Sous reserve de modifications
Änderungen vorbehalten

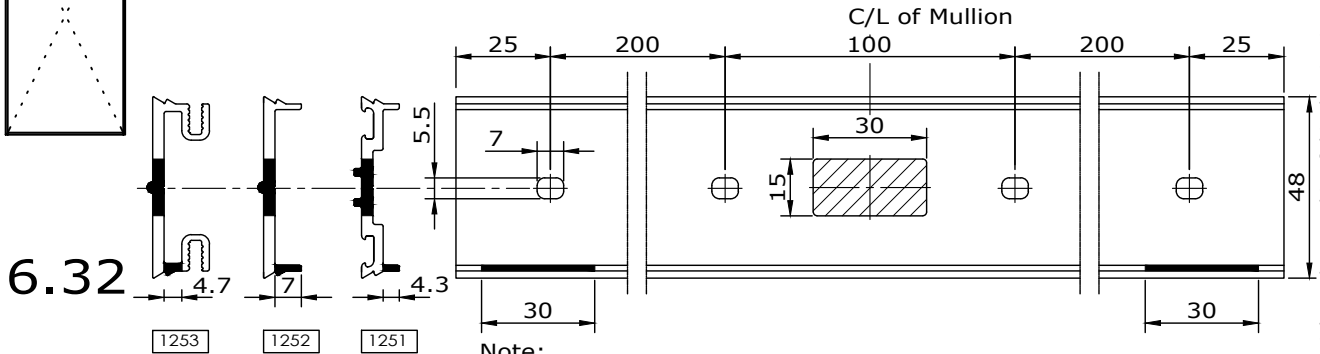
Issue: 05
Date: 10-16

Comar 6EFT

Tooling:
Punch Com6-EFT-T14



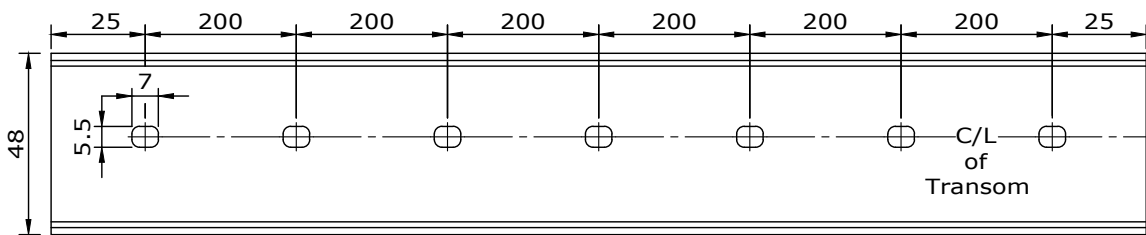
1A. Drainage slots & fixing holes Transom Pressure Plates
2sided SGH (Two Sided Structural Glazed Horizontal)



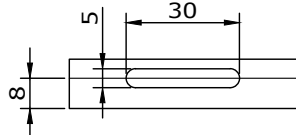
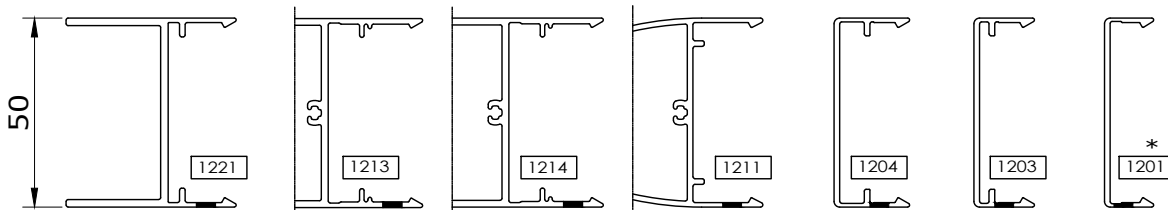
Note:
Fixing holes to be 25mm from edge and 200mm maximum centres.
Drainage slots to bottom of pressure plate to be 600mm cts. max.
30x15 drainage slot required at C/L of mullion positions.

Copyright and ownership of this drawing is vested in EFT, Euro Facade Systems Ltd, whose prior written consent is required for its use, reproduction or for publication to any third party. All other rights reserved. Subject to modifications.

1B. Fixing holes Transom Pressure Plates
Curtain Walling (Fully Capped Curtain Walling)

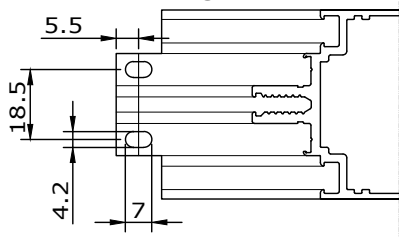


2. Drainage slots Transom Cover Caps
2sided SGH (Two Sided Structural Glazed Horizontal)



* Note: To punch drainage slots in profile 1201, a plate must be unscrewed from the Punch tooling which will allow the profile to be positioned correctly

3. Fixing slots transom

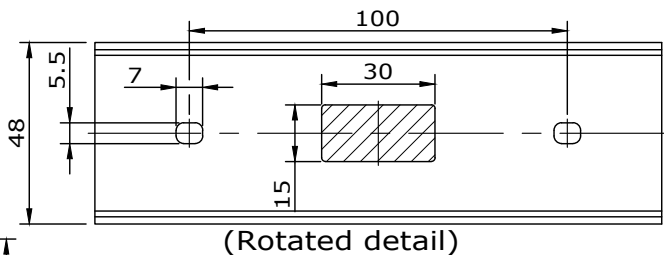
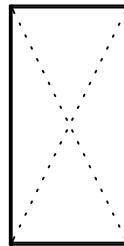


Fabricators Guide

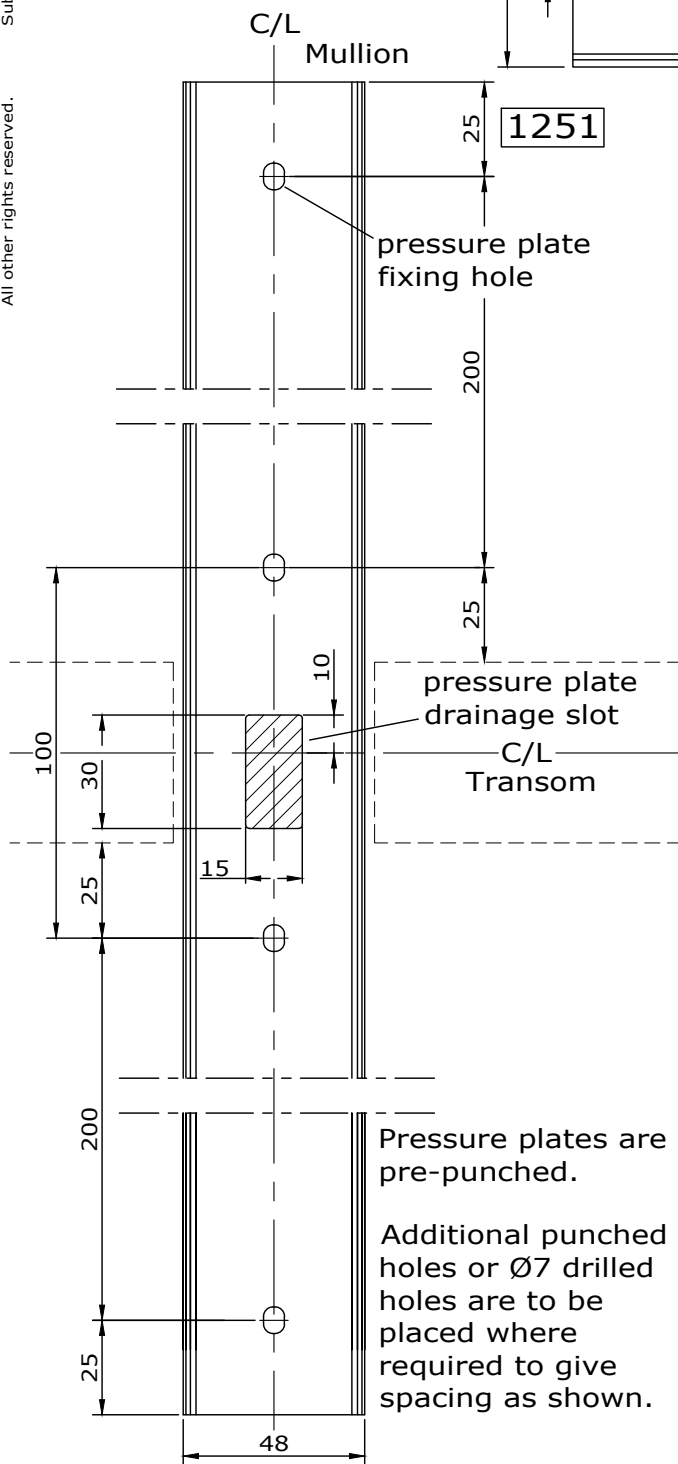


Tooling:
Punch Com 6-EFT-T14

Drainage slots & fixing holes
Mullion Pressure Plates
2sided SGV
Fully Capped Curtain Walling



Copyright and ownership of this drawing is vested in EFT, Euro Facade Systems Ltd, whose prior written consent is required for its use, reproduction or for publication to any third party. All other rights reserved.



1251

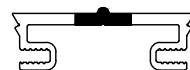


6.33

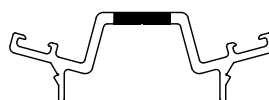
1252



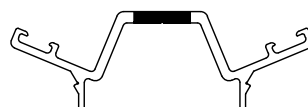
1253



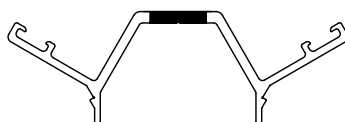
1260



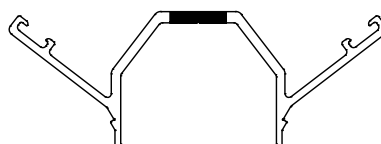
1261



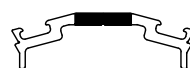
1262



1263



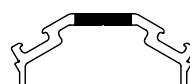
1266



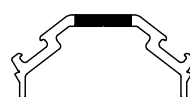
1267



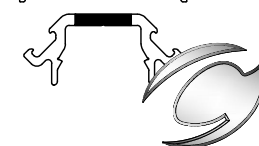
1268



1269



1270



Pressure plates are pre-punched.

Additional punched holes or Ø7 drilled holes are to be placed where required to give spacing as shown.

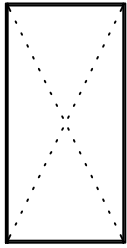
Changes reserved
Sous reserve de modifications
Änderungen vorbehalten

Issue: 05
Date : 10-16

Fabrication

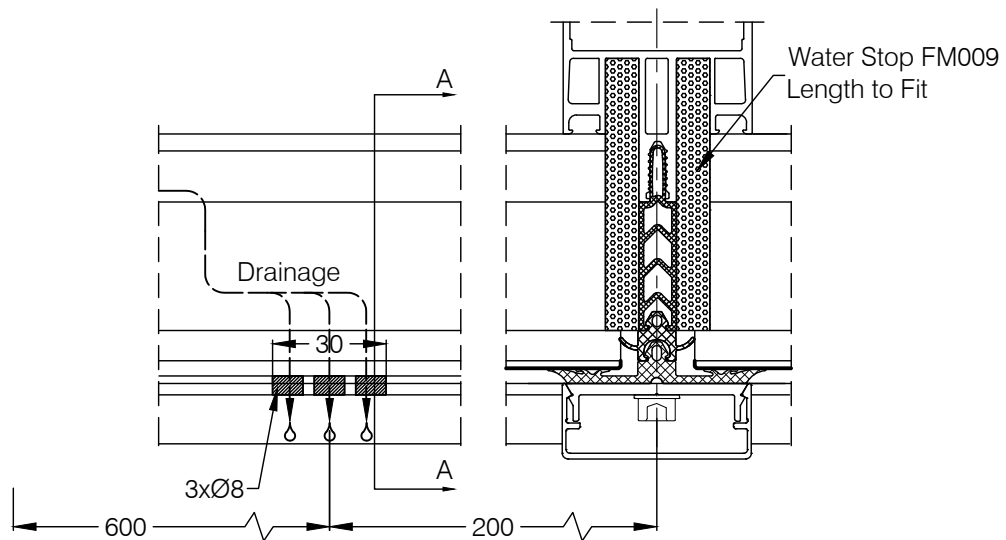
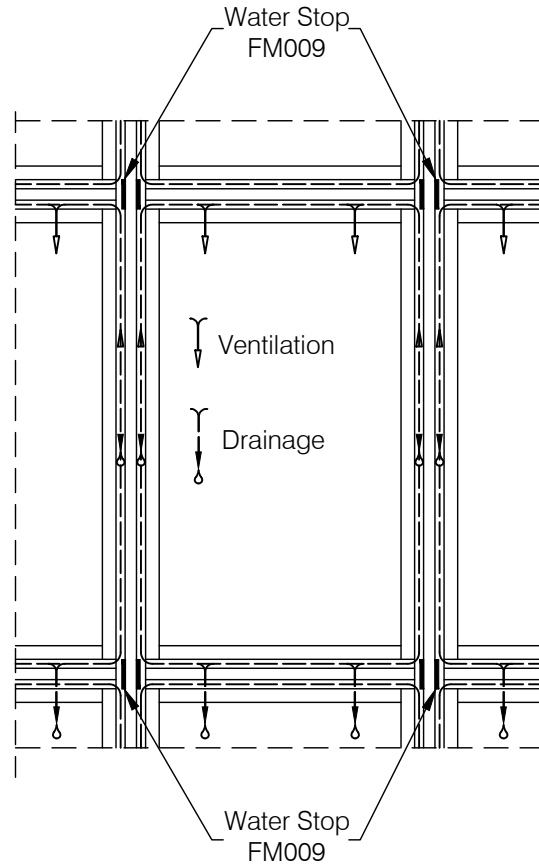
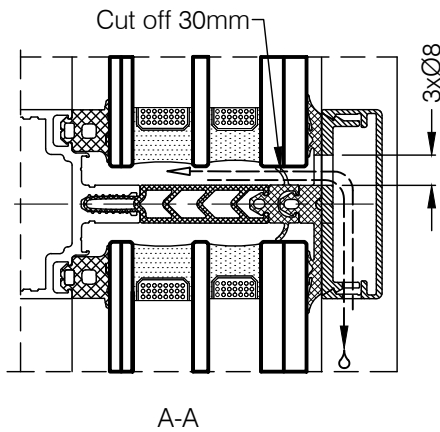
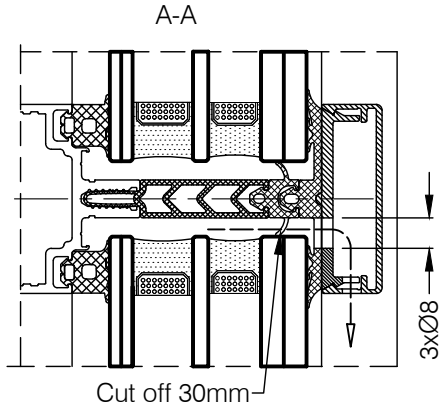
6

Comar 6EFT



6.34

Drainage & Ventilation by Individual Window



Copyright and ownership of this drawing is vested in EFT, Euro Facade Systems Ltd, whose prior written consent is required for its use, reproduction or for publication to any third party. All other rights reserved. Subject to modifications.



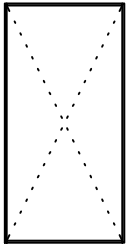
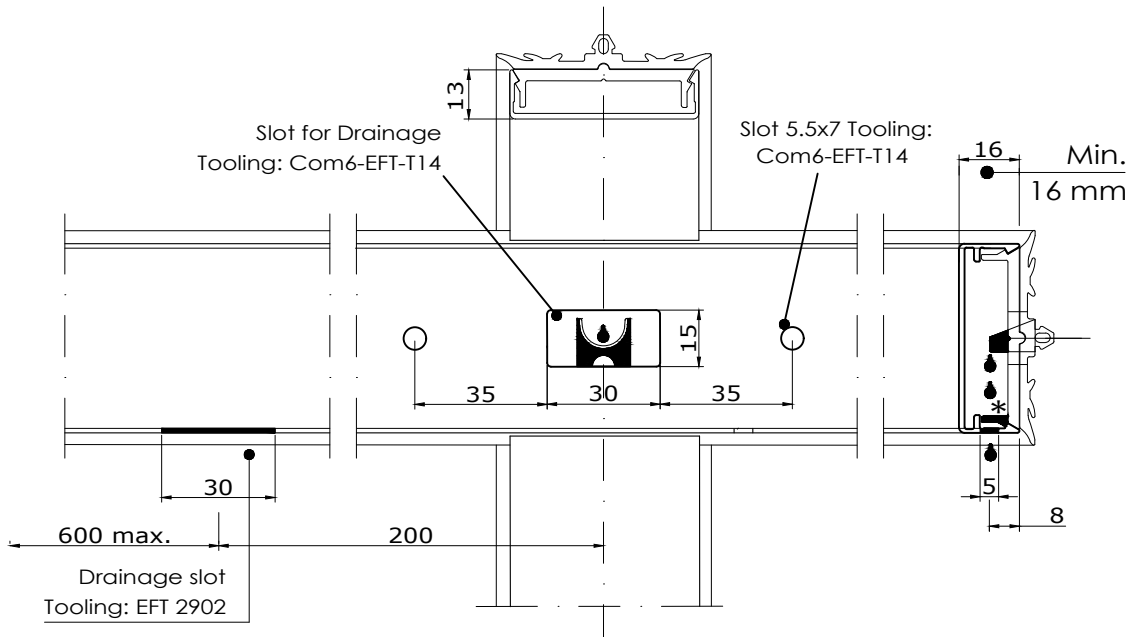
Copyright and ownership of this drawing is vested in EFT, Euro Facade Systems Ltd, whose prior written consent is required for its use, reproduction or for publication to any third party. All other rights reserved. Subject to modifications.

6

Fabrication

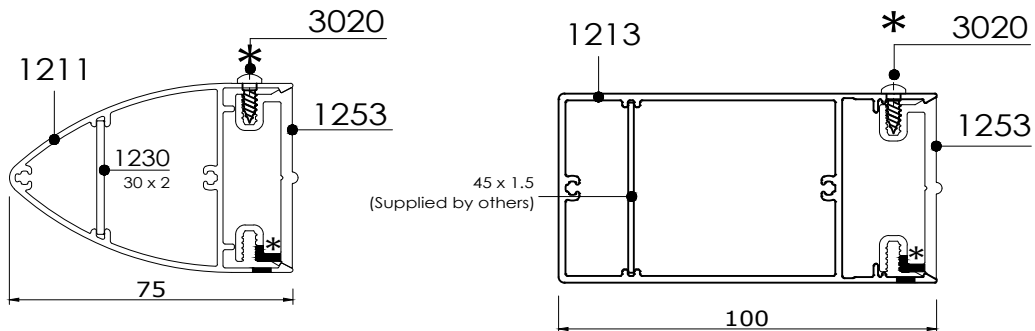
Draining horizontal

Comar 6EFT

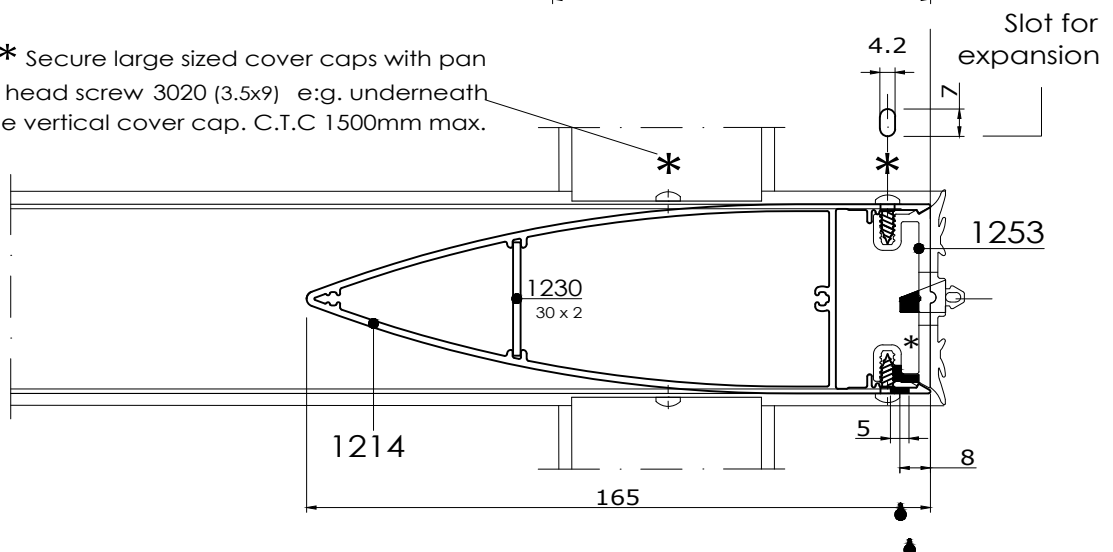


6.35

FIXING LARGE COVER CAPS



* Secure large sized cover caps with pan head screw 3020 (3.5x9) e.g. underneath the vertical cover cap. C.T.C 1500mm max.



Fabricators Guide

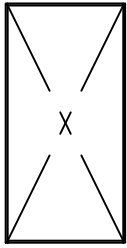
Changes reserved
 Sous reserve de modifications
 Änderungen vorbehalten

Issue: 05
 Date: 10-16

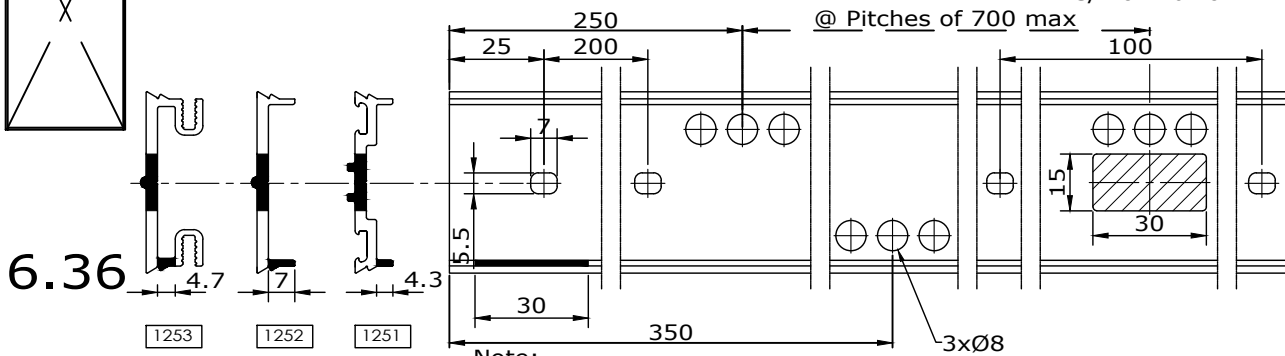


Comar 6EFT

Tooling:
Punch Com6-EFT-T14

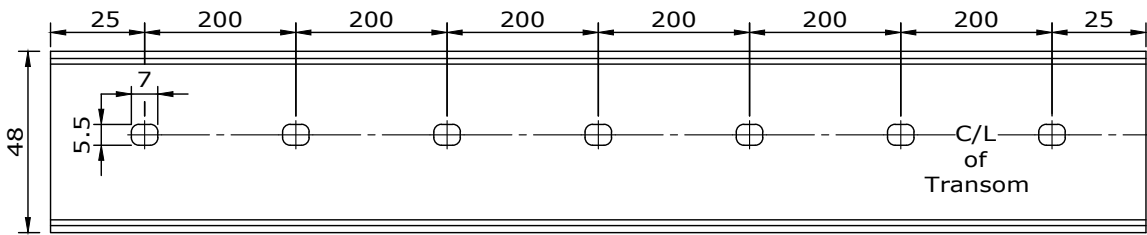


1A. Drainage slots & fixing holes Transom Pressure Plates
2sided SGH (Two Sided Structural Glazed Horizontal)

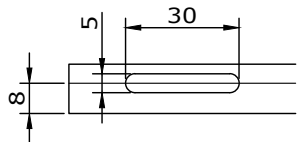
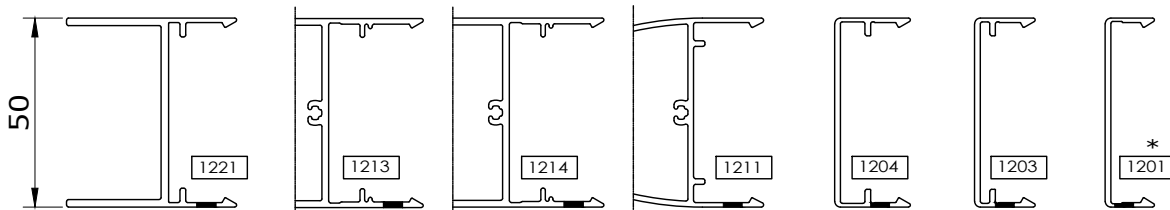


Note:
Fixing holes to be 25mm from edge and 200mm maximum centres.
Drainage slots to bottom of pressure plate to be 600mm cts. max.
30x15 drainage slot required at C/L of mullion positions.

1B. Fixing holes Transom Pressure Plates
Curtain Walling (Fully Capped Curtain Walling)

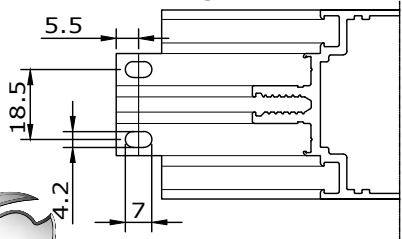


2. Drainage slots Transom Cover Caps
2sided SGH (Two Sided Structural Glazed Horizontal)



* Note: To punch drainage slots in profile 1201, a plate must be unscrewed from the Punch tooling which will allow the profile to be positioned correctly

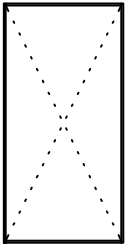
3. Fixing slots transom



Fabricators Guide

Copyright and ownership of this drawing is vested in EFT, Euro Facade Systems Ltd, whose prior written consent is required for its use, reproduction or for publication to any third party. All other rights reserved. Subject to modifications.

Panel & Single glazed frames

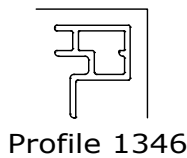


Profiles 1335 & 1346 to be cut to same dimensions as glass or panel

Between capped mullions/transoms: C.T.C - 22

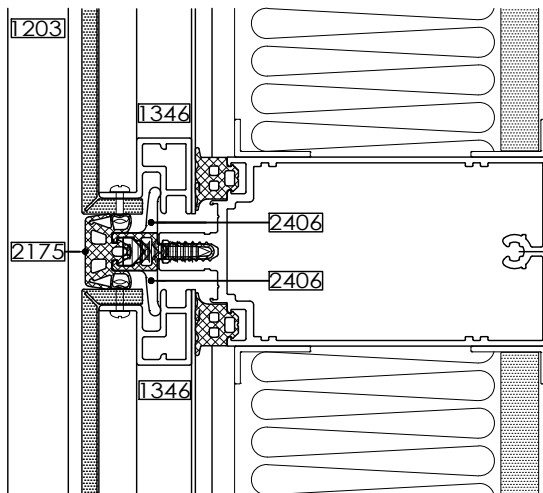
Between structural glazing mullions/transoms: C.T.C - 20

Copyright and ownership of this drawing is vested in EFT, Euro Facade Systems Ltd, whose prior written consent is required for its use, reproduction or for publication to any third party. All other rights reserved.

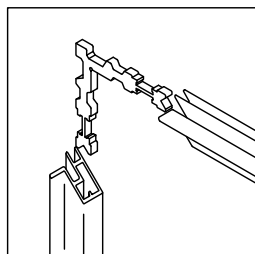


Profile 1346

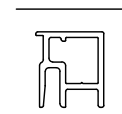
1346 between structural glazed joints when panels are required



EFT - 2539 Corner Cleat
EFT - 1346

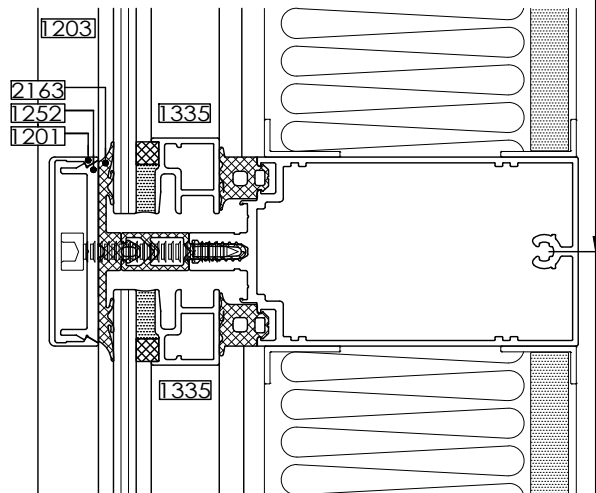


Frame lengths of 1346 to be mitred at 45° and crimped together using cleat 2539

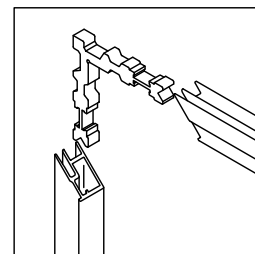


Profile 1335

1335 between capped joints when glazing joints are required



EFT - 2538 Corner Cleat
EFT - 1335



Frame lengths of 1335 to be mitred at 45° and crimped together using cleat 2538

6.37

Changes reserved
Sous reserve de modifications
Änderungen vorbehalten

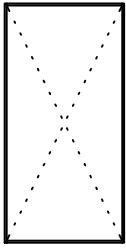
Issue: 05
Date: 10-16

Fabrication

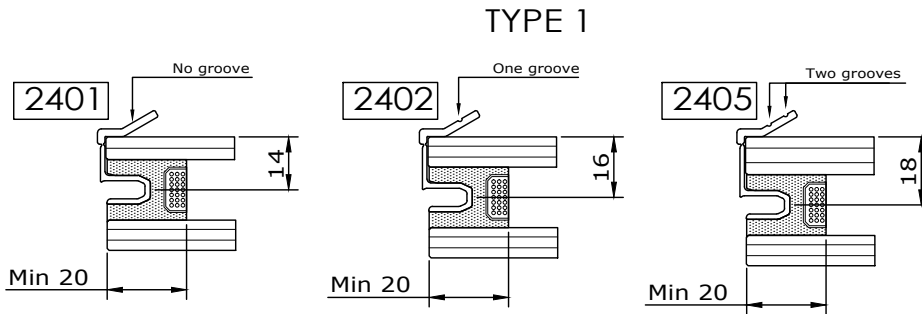
6

Comar 6EFT

Glass inserts



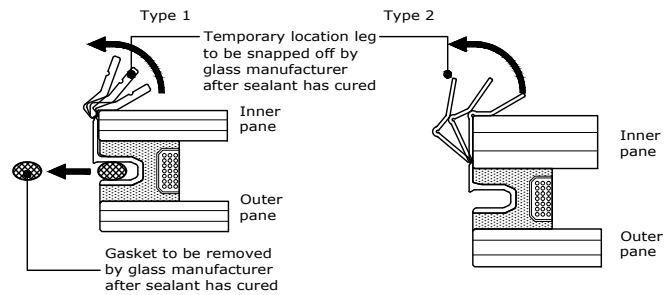
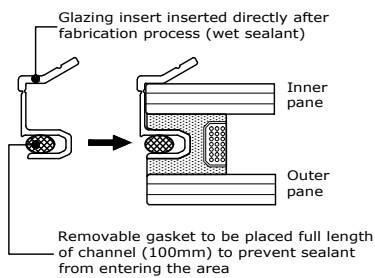
6.38



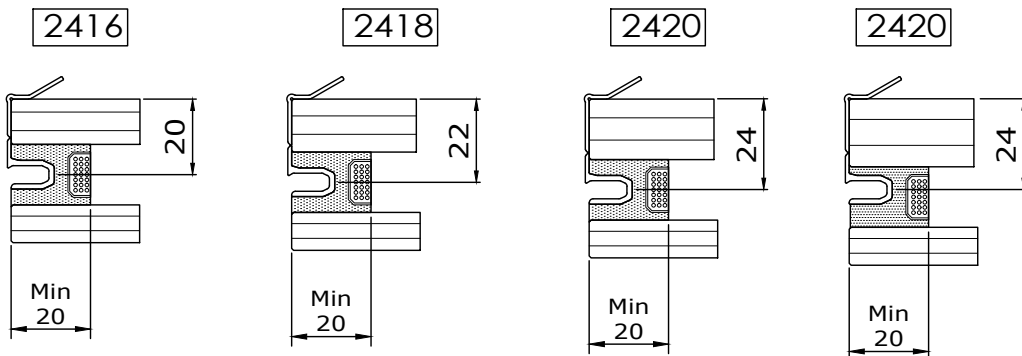
The Min.20mm to be set by your glass supplier according to standards and calculation.

1 Placing insert into spacer bar

2 Removing snap off leg & gasket



TYPE 2



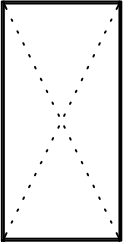
The Min.20mm to be set by your glass supplier according to standards and calculation.

6

Fabrication

Comar 6EFT

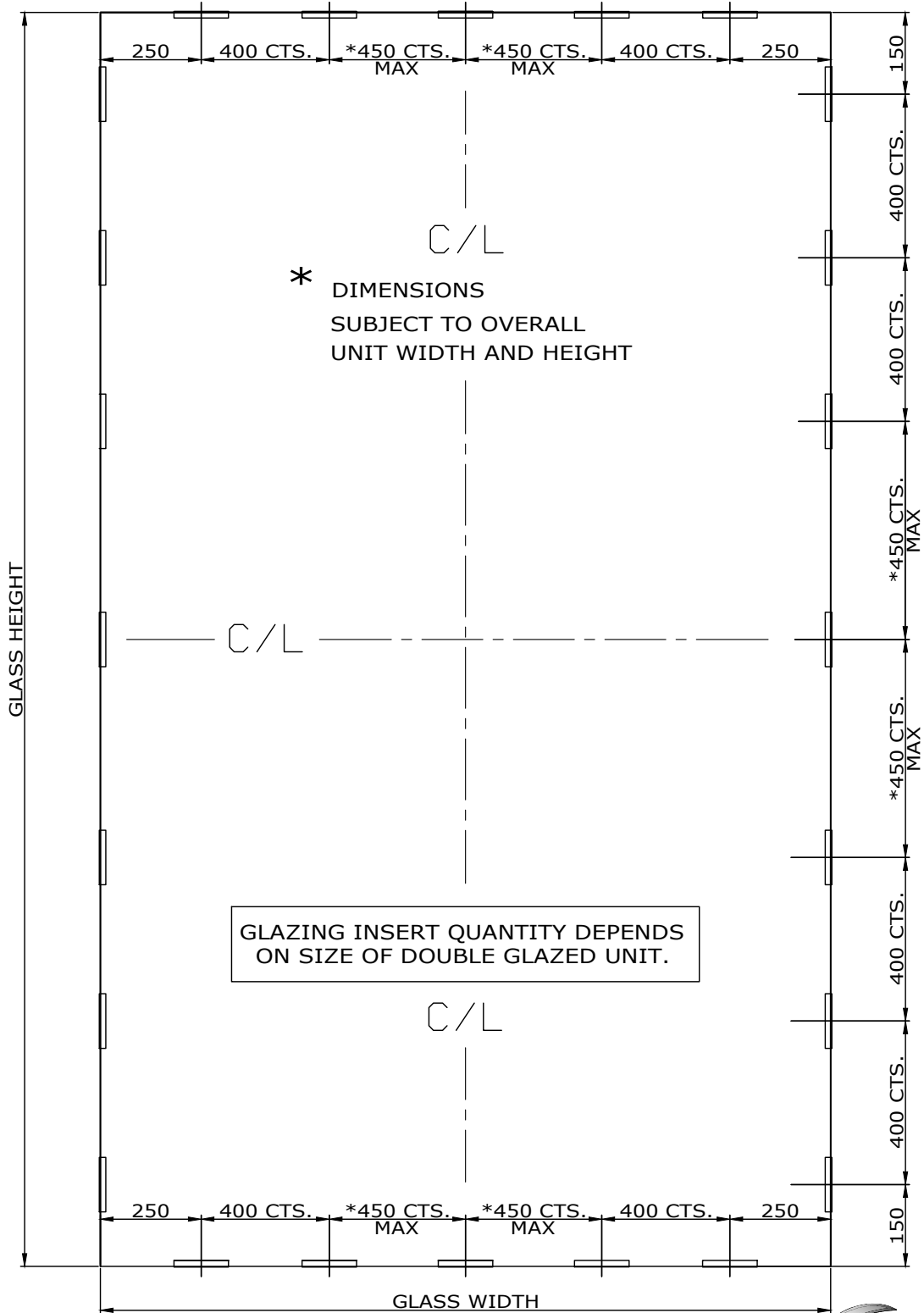
Location of glazing inserts



6.39

Fabricators Guide

Copyright and ownership of this drawing is vested in EFT, Euro Facade Systems Ltd, whose prior written consent is required for its use, reproduction or for publication to any third party. All other rights reserved. Subject to modifications.



Changes reserved
Sous reserve de modifications
Änderungen vorbehalten

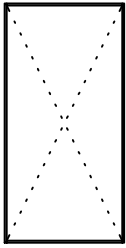
Issue: 05
Date: 10-16

Fabrication

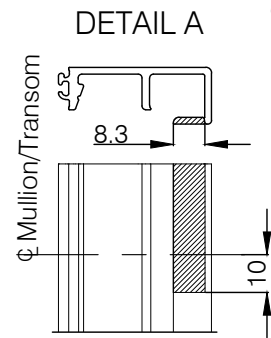
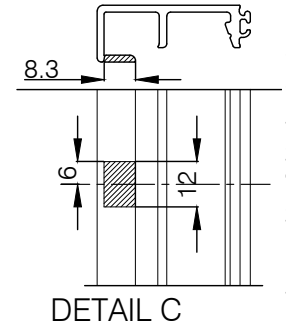
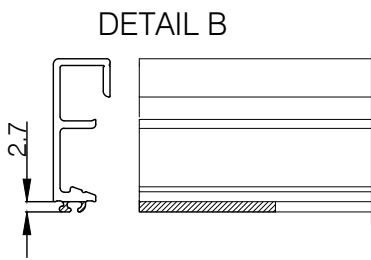
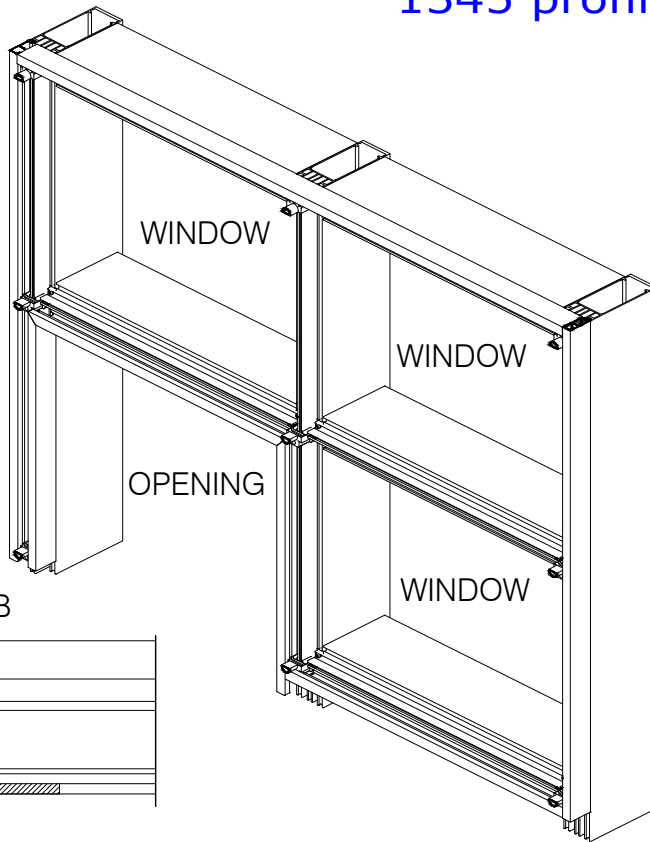
6

Comar 6EFT

Drainage diverter & 1345 profile preparation

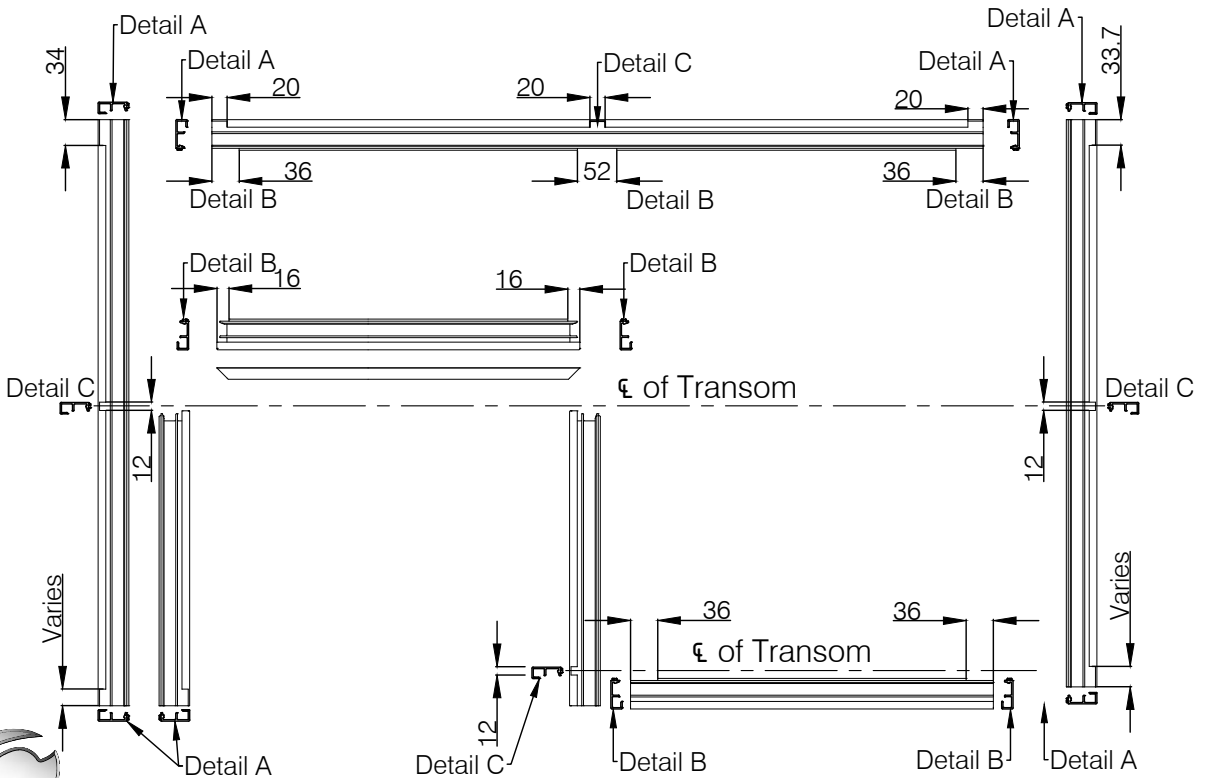


6.40

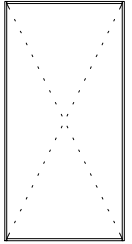


Copyright and ownership of this drawing is vested in EFT, Euro Facade Systems Ltd, whose prior written consent is required for its use, reproduction or for publication to any third party. All other rights reserved. Subject to modifications.

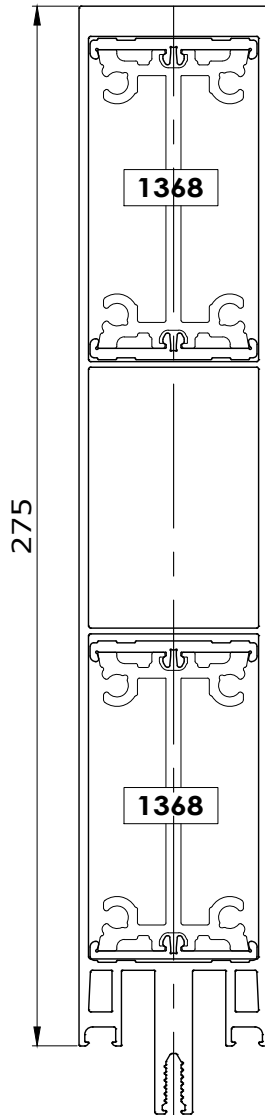
Fabricators Guide



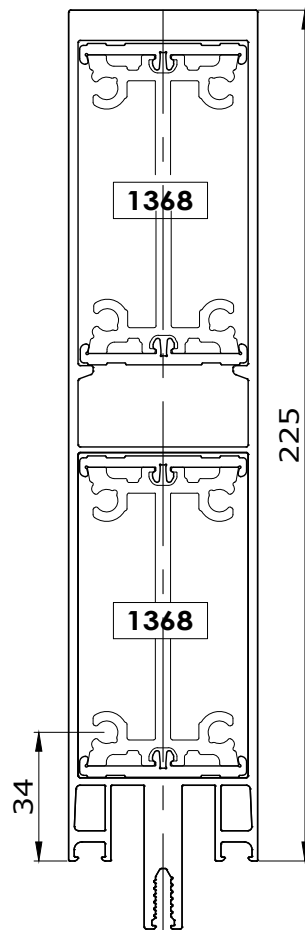
Mullion sleeve plate 1087- 225mm & 1090- 275mm



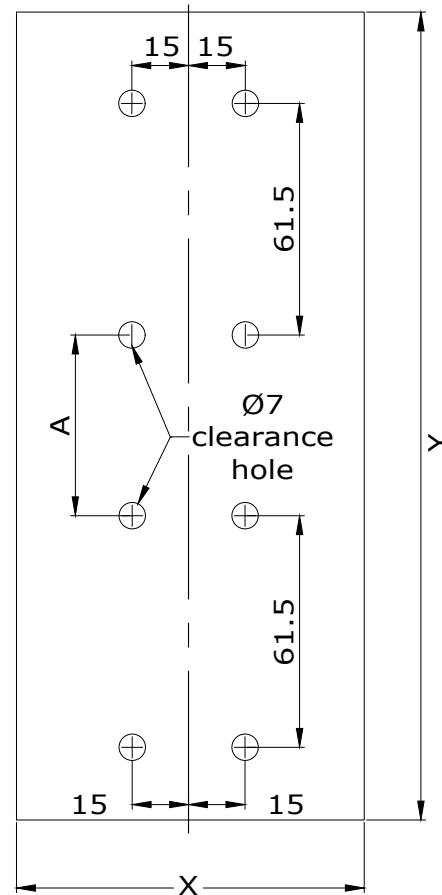
Mullion number	Dim A
1087	48
1090	98



1090



1087



6.41

Front plastic cover
cap cut back as
needed to fit EPDM

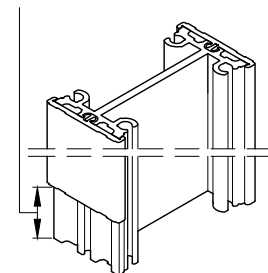


Plate supplied by others

Use $\text{Ø}6.3\text{mm}$ number 14 x 25mm self tapping screw, countersunk (supplied by others) or plate can be welded.

Length & width of plate and anchor bolts to be determined by site conditions and to structural engineers specification.

Changes reserved
Sous réserve de modifications
Änderungen vorbehalten

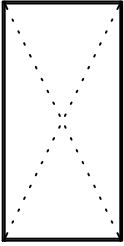
Issue: 05
Date: 04-17

Fabrication

6

Comar 6EFT

Mullion shoe bracket

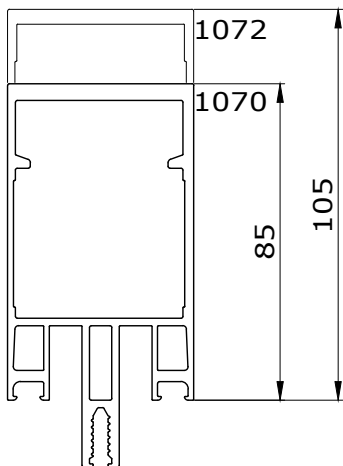
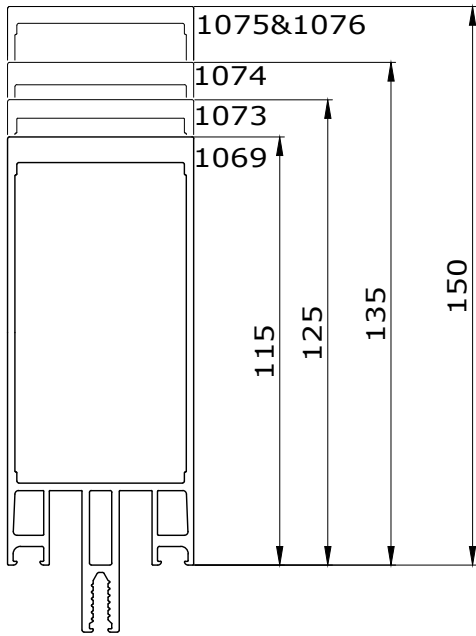


6.42

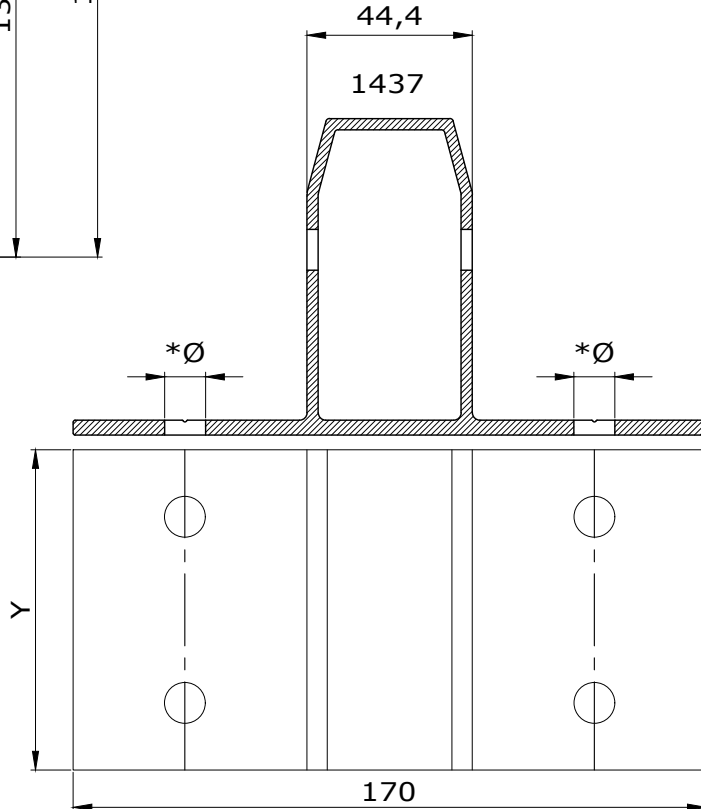
Mullion number	Size "Y" of Bracket	
	Bottom	Top
1070, 1072	36mm	39mm
1069, 1073 1074, 1075 1076	82mm	85mm
1077, 1080 1082, 1085	36mm 82mm	39mm 85mm
1087, 1090	2x 82mm	2x 85mm

Copyright and ownership of this drawing is vested in EFT, Euro Facade Systems Ltd, whose prior written consent is required for its use, reproduction or for publication to any third party. All other rights reserved. Subject to modifications.

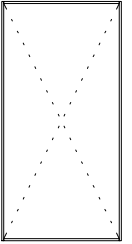
Fabricators Guide



*Size of anchor bolts to be determined by site conditions and to structural engineers specification.



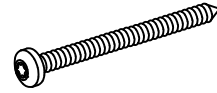
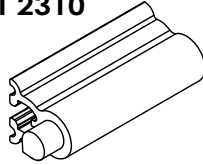
Mullion 1087 & 1090
Preparation



Transoms installed in
between ladders

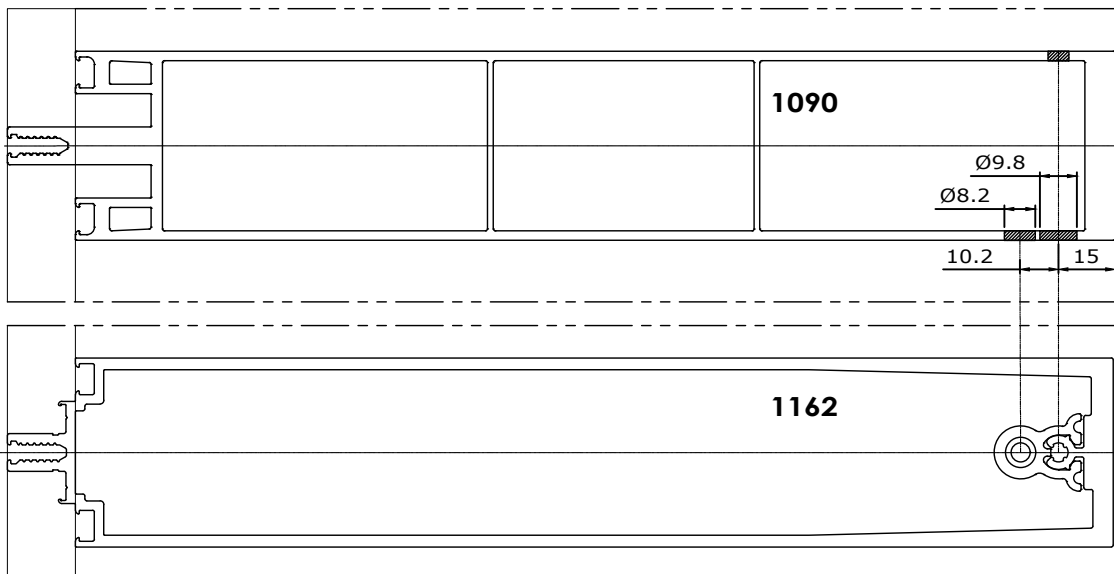
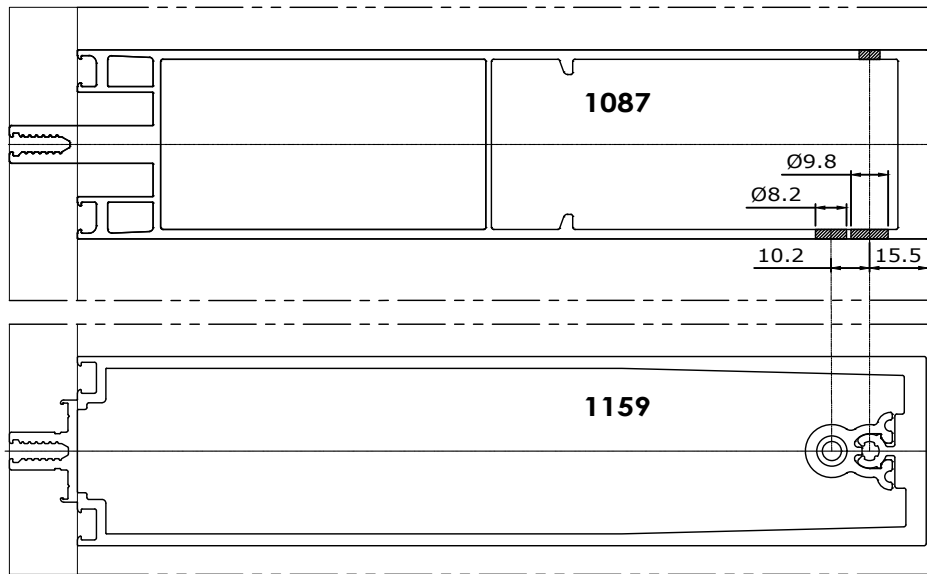
Ladder / unit

EFT 2310



3022 (4.8 x 65)

6.43



Copyright and ownership of this drawing is vested in EFT,
Euro Facade Systems Ltd, whose prior written consent is required
for its use, reproduction or for publication to any third party.
All other rights reserved. Subject to modifications.

Changes reserved
Sous reserve de modifications
Änderungen vorbehalten

Issue: 05
Date: 04-17

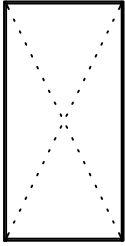
Installation

6

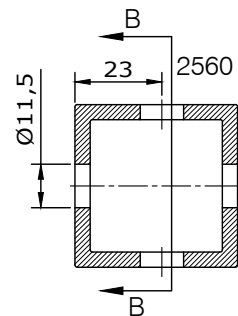
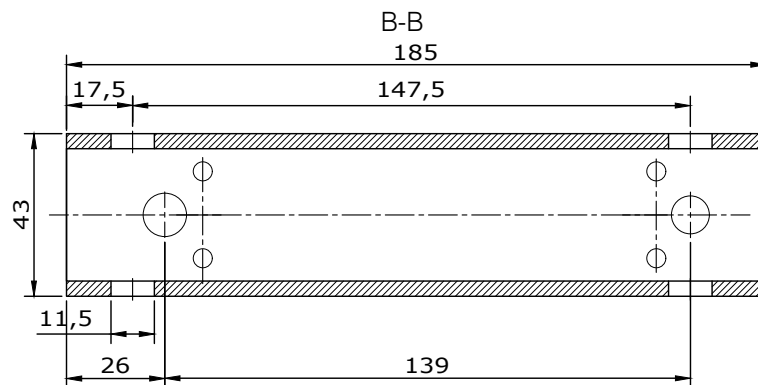
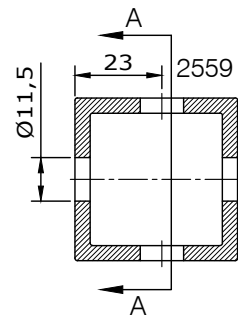
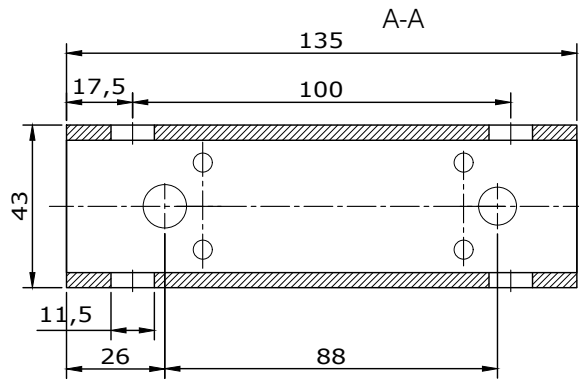
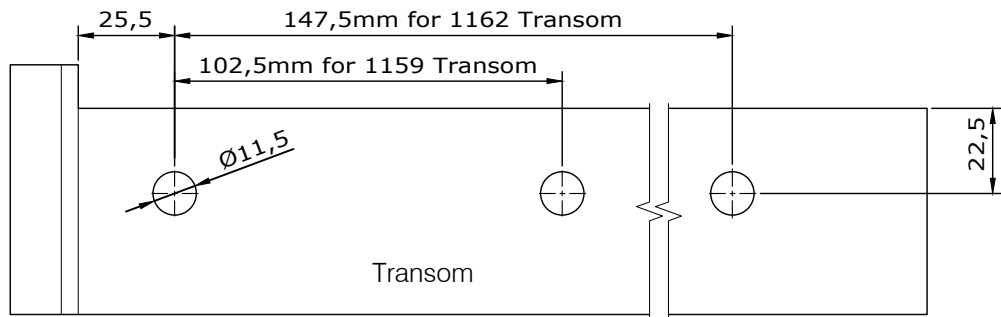
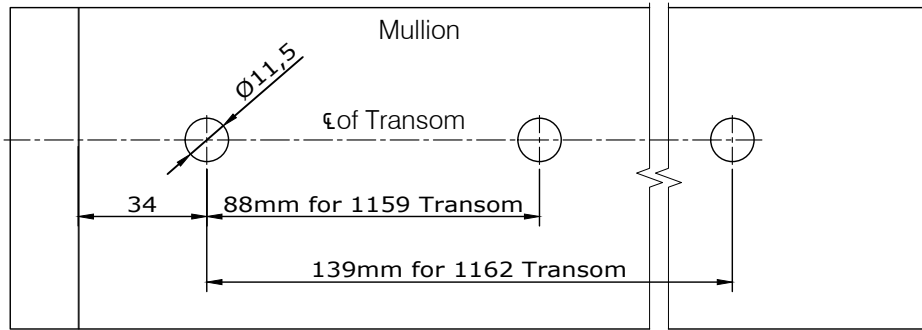
Comar 6EFT

Mullion - Transom Connection

Option: 5 Glass weight max 450 kg



6.44



Fabricators Guide

Copyright and ownership of this drawing is vested in EFT, Euro Facade Systems Ltd, whose prior written consent is required for its use, reproduction or for publication to any third party. All other rights reserved. Subject to modifications.



comar
ARCHITECTURAL ALUMINIUM SYSTEMS

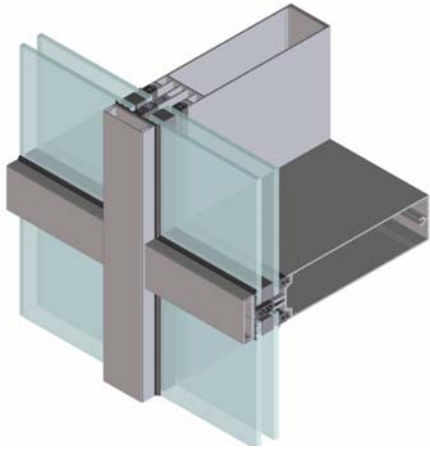
Changes reserved
Sous reserve de modifications
Änderungen vorbehalten

Issue: 05
Date : 04-17

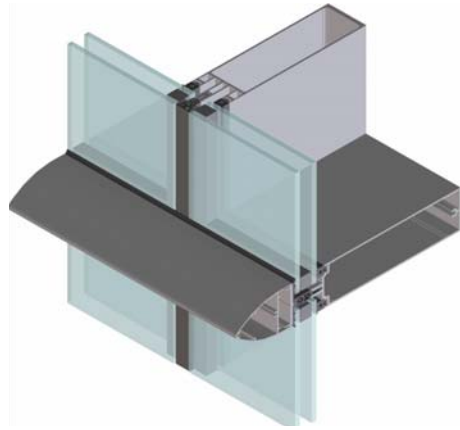
Copyright and ownership of this drawing is vested in EFT, Euro Facade Systems Ltd, whose prior written consent is required for its use, reproduction or for publication to any third party. All other rights reserved. Subject to modifications.

7

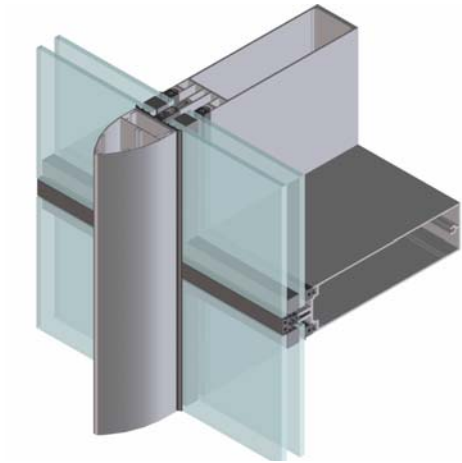
Installation
Comar 6EFT



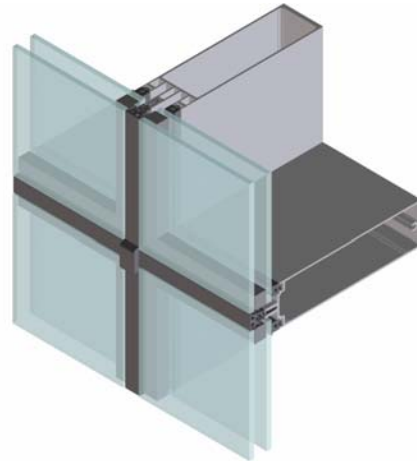
Capped



2sided SGH



2sided SGV



4sided SG

Changes reserved
Sous reserve de modifications
Änderungen vorbehalten

Issue: 05
Date: 10-16

Installation Guide for Erecting Comar 6EFT Curtain Wall System.

1 On-site / project conditions

The structural surface to which the brackets will be attached must be rigid steelwork or concrete floor-slabs and must be within tolerances.

- The fixing bolts and inserts must be adequate for structural requirements and site conditions. ([Please consult your structural engineer](#))

2 Wall Brackets

Available are standard brackets CW671, CW672, CW673 & CW674. Strength of the bracket and the size of fixing bolts are to be verified and specified by a structural engineer.

Single or a two-field span?

- Wall brackets must be installed in position as defined and be lined out to allow the mullion to expand freely.
- In case of **a single field span**, one bracket should transfer the wind/dead load and should be fixed. The second bracket (or coupling sleeve) must slide to allow the mullion to expand.
- In case of a **two-field span**, one bracket should transfer the wind/dead load and should be fixed. The middle and the third bracket (or coupling sleeve) must slide to allow mullion to expand.

Please refer to EFT Technical Manual section 7 for further details of wall brackets, fixing methods, fixing materials, expansion joints and the choice of a hanging or standing construction.

[For details please refer to EFT drawings 7.00 – 7.05.](#)

3 Coupling of Mullions

If the building height requires coupling of mullions, a mullion sleeve of sufficient length must be used. (Minimum length should be 600mm; length depends on position of mullion coupling and wall bracket. Length to be decided and verified by a structural engineer). Also the EPDM mullion expansion moulding (EFT 2030) needs to be installed in such a way to allow the mullion to expand.

- Fix mullion sleeve to one (end of) mullion only (7.01 or 7.02).
- Apply sealant at drainage channel in the top mullion and install EPDM coupling mould EFT 2030.
- Clean off excess sealant.

[For details please refer to drawings 7.03, 7.05 & 7.40.](#)

Installation Guide for Erecting Comar 6EFT Curtain Wall System.

4 Mullion-Transom Connection

The Mullion-Transom connection is designed so that notched transoms are secured to the gasket groove on the mullions.

There are several installation methods such as:

1. Fasten mullions first and clip in transoms afterwards.
2. Fasten pre-fabricated ladders (units of practical sizes) and clip in transoms connecting the ladders. [\(Please refer to drawing 7.11\)](#)

The second option is the most practical method, however, the choice of installation method will depend on the size of the project, the preferred working methods of the fabricator/installer, possible access to the building as well as installation equipment available etc.

For all methods of installation, different mullion-transom cleats and connection components are available:

- When mullions or ladders are installed already, use spring-loaded cleat, EFT 2310, for transom fixing.
- Prefab units (ladders) screw EFT 3022 or transom cleat for transom fixing.
- Transoms must be fixed overlapping the mullion and must be sealed by a special EPDM seal EFT 2028 and fixed with screws EFT 3021.
- Set torque to fix transom screws EFT 3021 at a turning moment of 2,5 Nm,
- Allow for a minimum of 0.5 mm space for expansion at both ends of transoms.

[For details please refer to drawings 7.34.](#)

5 Spandrel and glazing adaptors

For different glass and spandrel panel thickness or segmented facades, glazing adaptors are required, the following needs to be observed:

- Seal the gasket groove at the transom ends.
- To seal the vertical glazing adaptor inject sealant at the end of the adaptor and apply sealant at edges of the horizontal glazing adaptor.
- When the vertical glazing adaptor is bridging a coupling of 2 mullions it is advisable to have a joint gap to the adaptor equal to that of the mullion, to be located below the mullion joint. The upper adaptor to be fixed in position above mullion joint. Apply sealant to joint.
- Factory fitting of adaptors to be screw fixed with minimum of two screws with fixings not more than 1m apart.

Installation Guide for Erecting Comar 6EFT Curtain Wall System.

6 Thermal break / Isolator

- Install the correct thermal break size as advised as per glazing tables.

7 Glazing gaskets and EPDM corner mouldings (inner seal)

The inner seal gasket is the most important seal to avoid air and water ingress, Comar 6EFT is pressure equalised allowing small amounts of water into the glazing rebate which is then drained out via the mullions.

Drainage diverters are designed to drain the water out of the system and sufficient drainage and pressure equalisation slots must be punched into the pressure plates, pressure-plate gaskets and cover caps.

- Apply a sealant into glazing groove before installing the corner moulding.
- Cut EPDM glazing gasket size plus approx. 5 % to ensure compression of the gaskets and allow for shrink back. Apply bonding compound and slide/bond gasket into its position.
- Clean off excess sealant.

For details please refer to glazing tables in section 3 and drawings 7.12 – 7.15, 7.35 & 7.36

8 Drainage diverter

- Select the correct drainage diverter for mullion drainage as per glazing tables.
- Install drainage diverter and inject sealant mastic into hole provided. To achieve a watertight seal, mastic must cover all edges.
- Apply mastic to seal the drainage diverter to the thermal break.

For details please refer to glazing tables in section 3 and drawings 7.12, 7.15, 7.37 & 7.38

9 Glass setting blocks and glazing

- Clean out debris from the glazing rebates and ensure that the drainage routes are clear of obstruction.
- Clip-fit proprietary glass setting blocks into position on the transom making sure that they do not interfere with the drainage grooves. (Approx. 50 mm from corner edge)
- Position 1*, 2* or 3* mm thick location blocks (of correct size) onto fitted glass setting block, ensuring that it is positioned centrally in accordance with glazing tables.

1mm block (**5mm gap) for Comar 6EFT 2sided vertical and Comar 6EFT 4sided curtain walling.

Installation Guide for Erecting Comar 6EFT Curtain Wall System.

2mm block (**7mm gap) for Comar 6EFT curtain wall and Comar 6EFT 2sided horizontal with setting blocks XX2301, XX2305 & XX2306, 3mm block(**7mm gap) to all other glass setting blocks.

- In accordance with current relevant Health and Safety legislation, use proprietary glass suckers to lift the glass unit, onto the location blocks and fit into the glazing rebate. Ensure that there is a minimum of 5** to 7** mm ventilation gap between the edge of the glass pane and the curtain wall frame, for the full perimeter of the glass unit.
- Check that the internal glazing gasket fits against the glass face correctly with no tucks in the gasket leg.
- Fix glazing aids to hold the glass unit into its position.

[For details please refer to drawings.](#)

10 Pressure-plate gasket.

The pressure-plate outer gasket stops water ingress into the system; to ensure a tight seal close attention to this gasket is required in the cruciform area.

Comar 6EFT curtain wall has 2 options for the outer transom gasket e.g.

1 [Single](#) gasket EFT 2162 (or 2163) along with pressure plate EFT 1252 or 1252

2 [Duo*](#) gasket combination EFT 2150 + 2150 along with pressure plate EFT 1251

When to use [Single or Duo*](#) gasket.

Single and Duo gasket options can be used for all EFT curtain walls.

For single transom gasket conditions, EFT 2162 is sealed (butt joint) against the outer vertical gasket EFT 2162.

For duo gaskets conditions, the vertical outer gasket EFT 2162 overlaps the horizontal Duo* gasket and is not sealed.

- Remove vertical fixed glazing aids, at one side of the glass unit only.
- First select the correct vertical pressure plate gasket (as detailed in the glazing tables) minimising butt joints. All butt joints must be sealed.
- Cut gasket straight, size plus approx. 2 % to ensure compression of the gaskets and allow for shrink back, make sure that gasket is not stretched.
- Ensure that drainage or pressure equalisation slots are correctly positioned.
- **Fix vertical pressure-plate** ([see item 11](#))
- Remove horizontal fixed glazing aids.
- Fix horizontal pressure-plate-gasket and cut this gasket straight. (Plus approx. 2 %)

Installation Guide for Erecting Comar 6EFT Curtain Wall System.

- Apply sealant against vertical pressure-plate-gasket and slide horizontal gasket against vertical gasket into position.

[For details please refer to drawings.](#)

11 Pressure plates

- Pressure plate screw connections should be spaced at intervals of 200 mm. The first and last screw should be fixed at 25mm from the ends of the pressure plate and 50mm from the centre of mullion or transom cruciform.
- Use correct screw-type and length in accordance with glazing tables.
- Install vertical pressure plates first, [as mentioned under item 10](#)
- Check both the outer gasket and pressure plate, there should be no protrusion in the outer pressure plate gasket and no depression in the pressure plate, it is advisable to set the torque moment of 3,5 – 4,5 Nm, (specific project requirements might require a different value)
- Make sure the slot for drainage and pressure equalisation is positioned correctly.

- When coupling is required (at least every 6.45 m), leave sufficient space between the pressure plates to allow for expansion.
(Typically there is approximately 1mm expansion per metre of profile but this varies depending on location of the curtain wall and colour of cover-cap which should both be considered)
- Install horizontal pressure-plate and leave a minimum of 2 mm space between vertical cover cap and horizontal pressure-plate to allow for expansion.
(Cutting size; C.T.C - 54 mm)

[For details please refer to drawings.](#)

12 Cover caps

Vertical cover caps need to be 3mm wider than the horizontal to ensure that there are no raw edges.

Cover caps have a typical edge radius of 1,5mm, edge radii for even distribution of the powder coating layer.

Vertical cover-caps

- First install correct vertical cover-cap.
- When coupling is required (at least every 6.45 m), leave sufficient space between the cover caps to allow for expansion.
(Typically there is approximately 1mm expansion per metre of profile but this varies depending on location of the curtain wall and colour of cover-cap which should both be considered)
- For some cover caps (75mm and higher) a coupling strip will be available to align the cover caps.
- Fix one screw in the cover-cap and pressure-plate at transom (cruciform) location to let cover-cap expand in one direction only.

Installation Guide for Erecting Comar 6EFT Curtain Wall System.

- Higher cover caps need to be fixed at each cruciform location, preferably concealed underneath the transom cover and if the vertical span exceeds 1.5m, additional fixing points will be required.
(A special designed pressure plate (EFT 1253) is available to ease the fixing)
- If drainage is chosen through the vertical cover cap it is advisable to divert the majority of water (drained out of the mullion) to the outside approx. every 20 m
A location can be where cover caps are connected.

[For details please refer to drawings.](#)

13 Other?

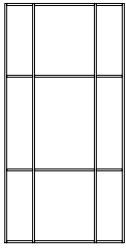
Further questions or suggestions; or if the standard solutions don't meet your requirements, please do not hesitate to contact our office.

Installation

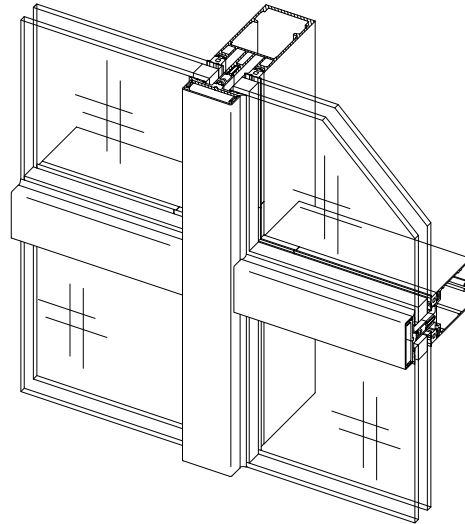
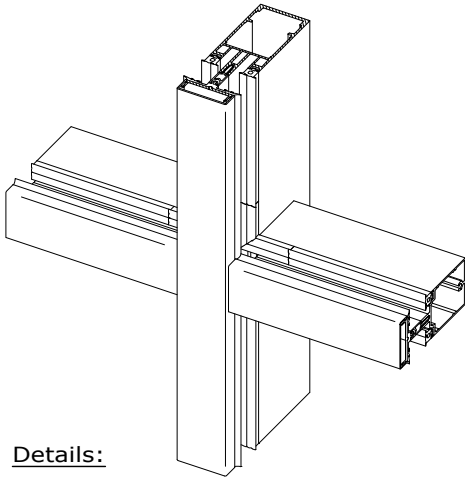
7

Comar 6EFT

Exploded typical detail Fully capped

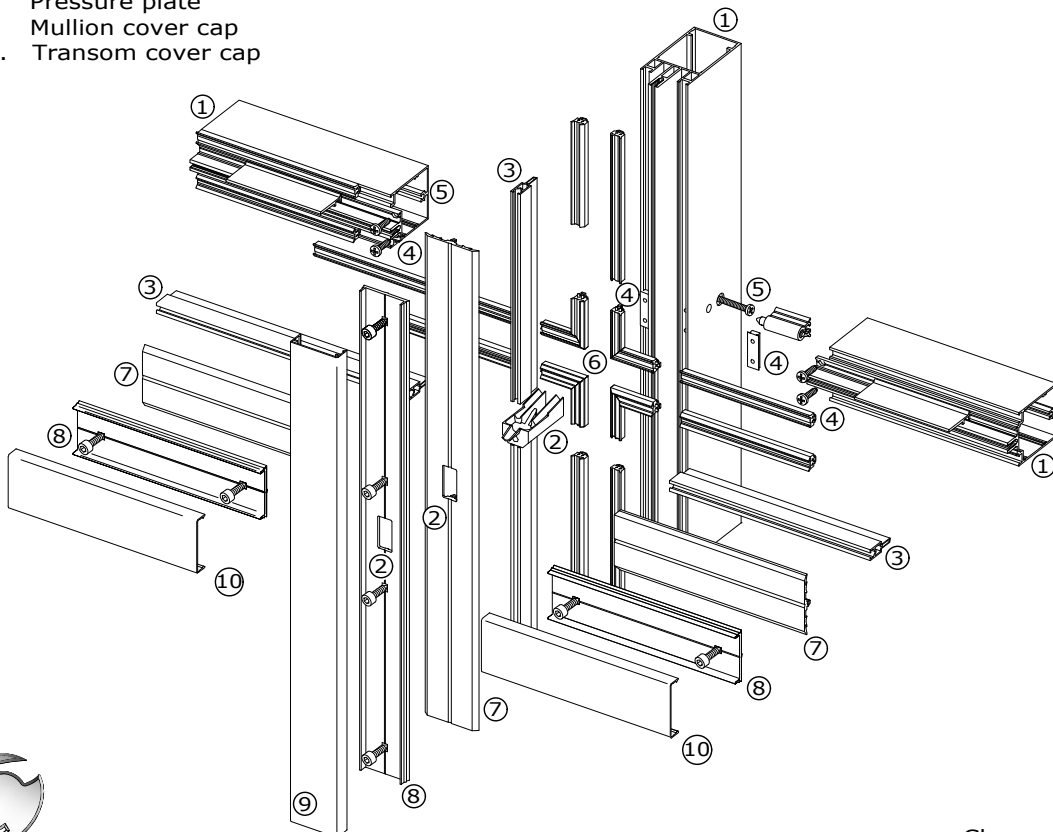


7.00



Details:

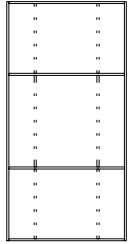
1. One substructure for all curtain wall types (Fully Capped / 2sided SGH / 2sided SGV / 4sided SG)
2. Controlled drainage system (mullion drained) - drainage diverter
3. Thermal break
4. Mullion-Transom step-cut & sealed by EPDM moulding
5. Ladder (unit) construction or stick build
6. Moulded EPDM corners available
7. Mullion / Transom pressure plate gasket
8. Pressure plate
9. Mullion cover cap
10. Transom cover cap



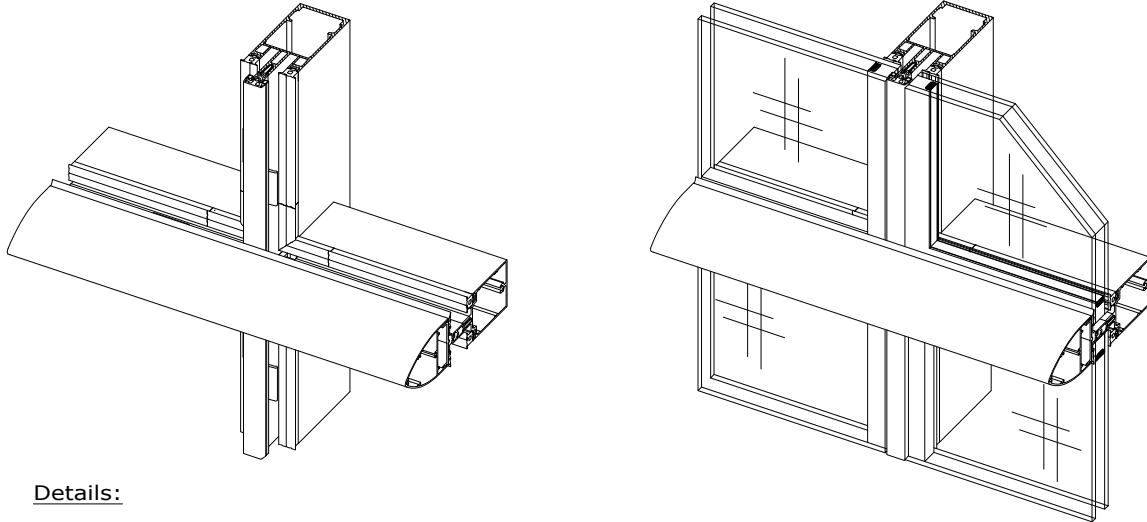
Copyright and ownership of this drawing is vested in EFT, Euro Facade Systems Ltd, whose prior written consent is required for its use, reproduction or for publication to any third party. All other rights reserved. Subject to modifications.



Exploded typical details Horizontal cover cap (2sided SGH)

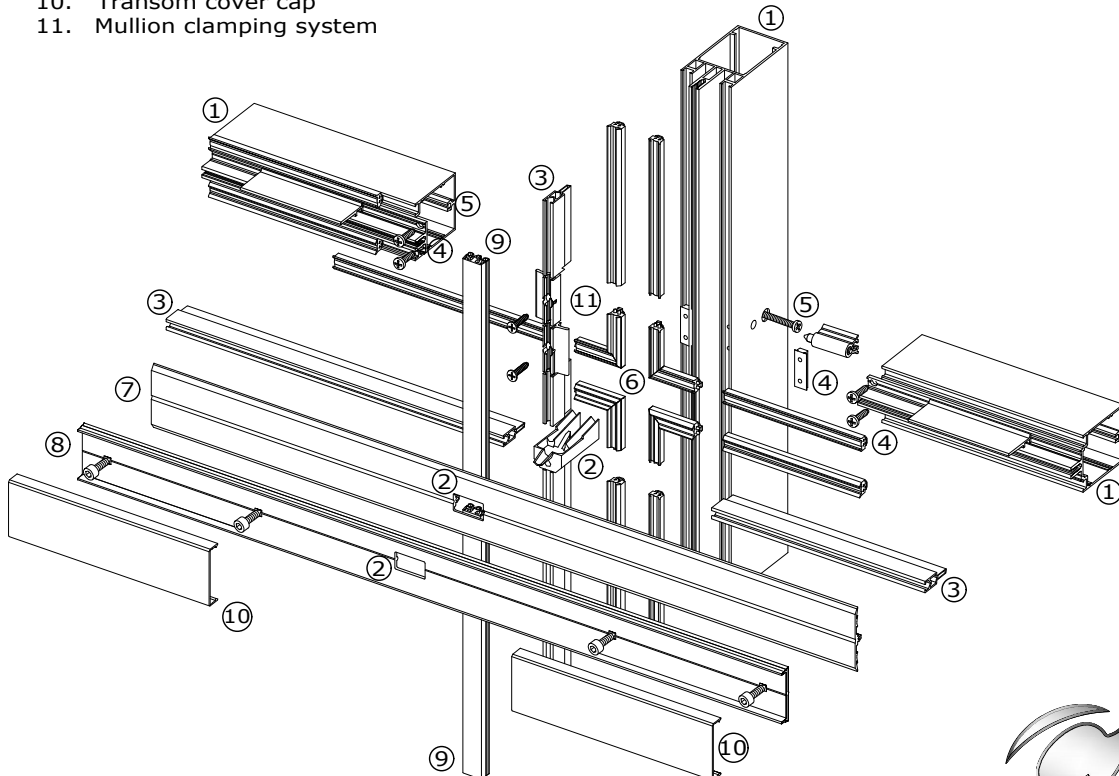


7.01



Details:

1. One substructure for all curtain wall types (Fully Capped / 2sided SGH / 2sided SGV / 4sided SG)
2. Controlled drainage system (mullion drained) - drainage diverter
3. Thermal break
4. Mullion-Transom step-cut & sealed by EPDM moulding.
5. Ladder (unit) construction or stick build
6. Moulded EPDM corners available
7. Transom pressure plate gasket
8. Transom pressure plate
9. Mullion joint gasket
10. Transom cover cap
11. Mullion clamping system



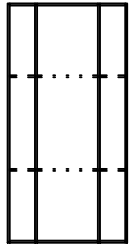
Changes reserved
Sous reserve de modifications
Änderungen vorbehalten

Issue: 05
Date: 10-16

Installation

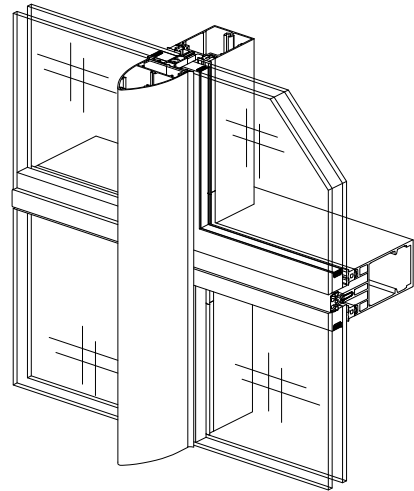
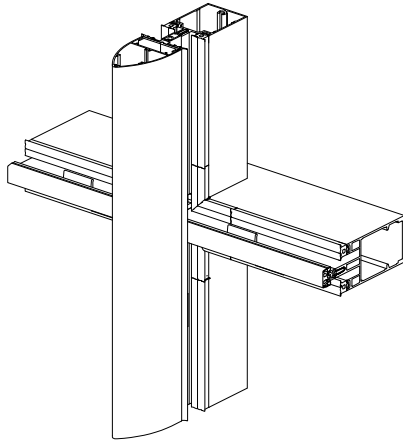
7

Comar 6EFT



7.02

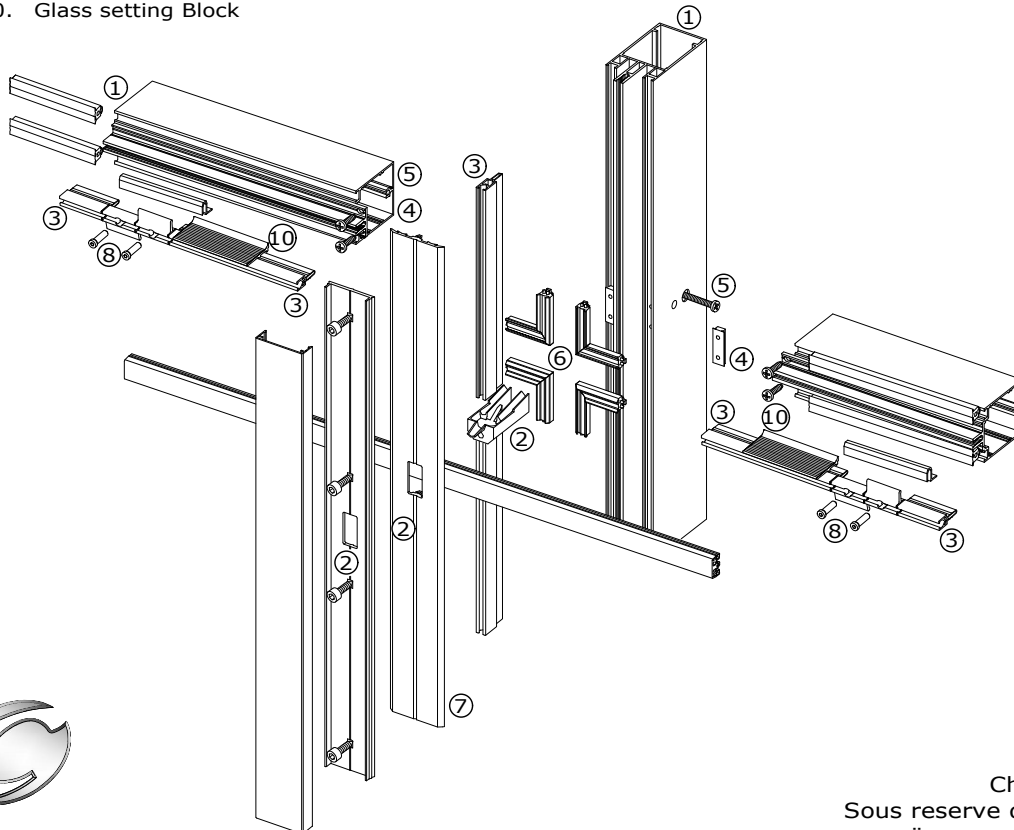
Exploded typical detail Vertical cover cap (2 Sided SGV)



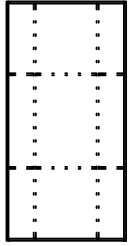
Copyright and ownership of this drawing is vested in EFT,
Euro Facade Systems Ltd, whose prior written consent is required
for its use, reproduction or for publication to any third party.
All other rights reserved. Subject to modifications.

Details:

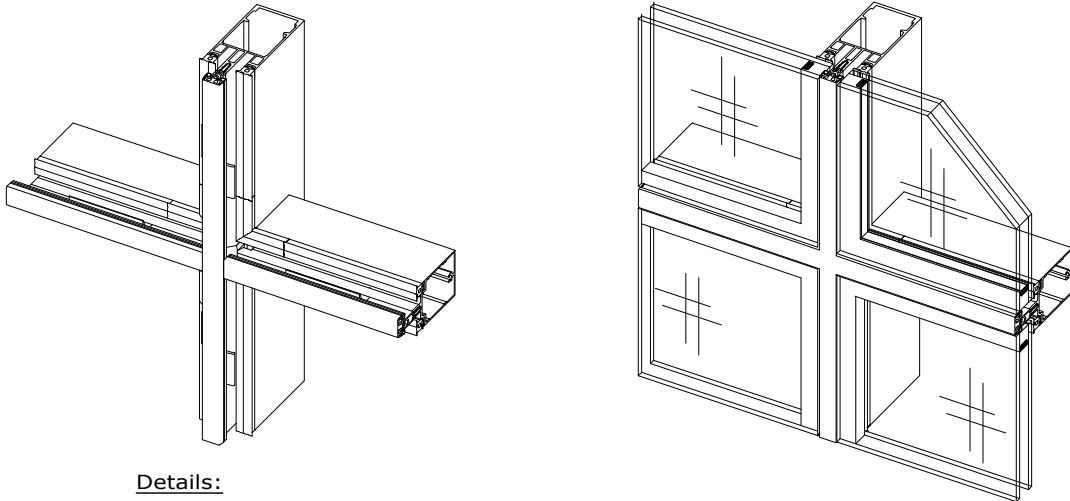
1. One substructure for all curtain wall types, Fully Capped, 2sided SGH, 2sided SGV & 4sided SG.
2. Controlled drainage system (mullion drained) drainage diverter
3. Thermally broken.
4. Mullion-Transom step-cut & sealed by EPDM moulding.
5. Ladder (unit) construction or stick build.
6. Moulded EPDM corners available.
7. Continuous pressure plate gasket.
8. Glazing clamping system into DG unit.
9. Continuous pressure plate gasket.
10. Glass setting Block



Exploded typical details Four sided structural EFT (4sided SG)

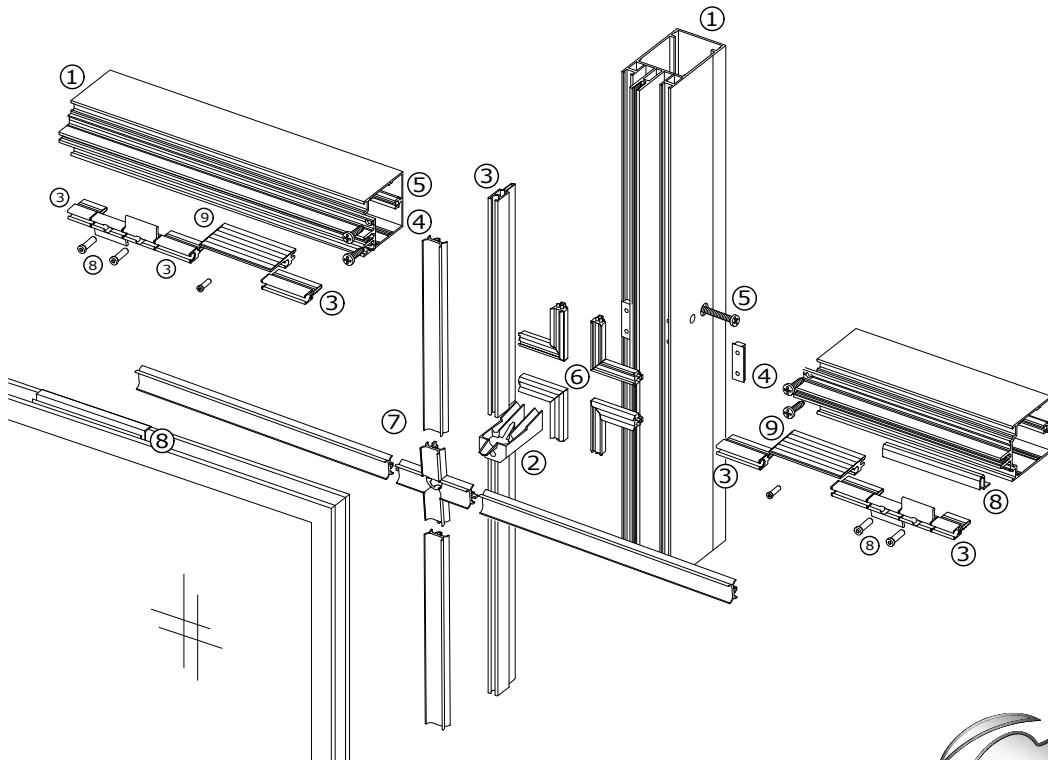


7.03



Details:

1. One substructure for all curtain wall types, Fully Capped, 2sided SGH, 2sided SGV & 4sided SG.
2. Controlled drainage system (mullion drained) drainage diverter/cover
3. Thermally broken.
4. Mullion-Transom step-cut & sealed by EPDM gasket.
5. Ladder (unit) construction or stick build.
6. Moulded EPDM corners available.
7. Joint cruciform gasket.
8. Glazing clamping system into DG unit.
9. Glass setting block



Changes reserved
Sous reserve de modifications
Änderungen vorbehalten

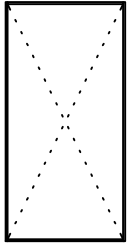
Issue: 05
Date: 10-16

Installation

7

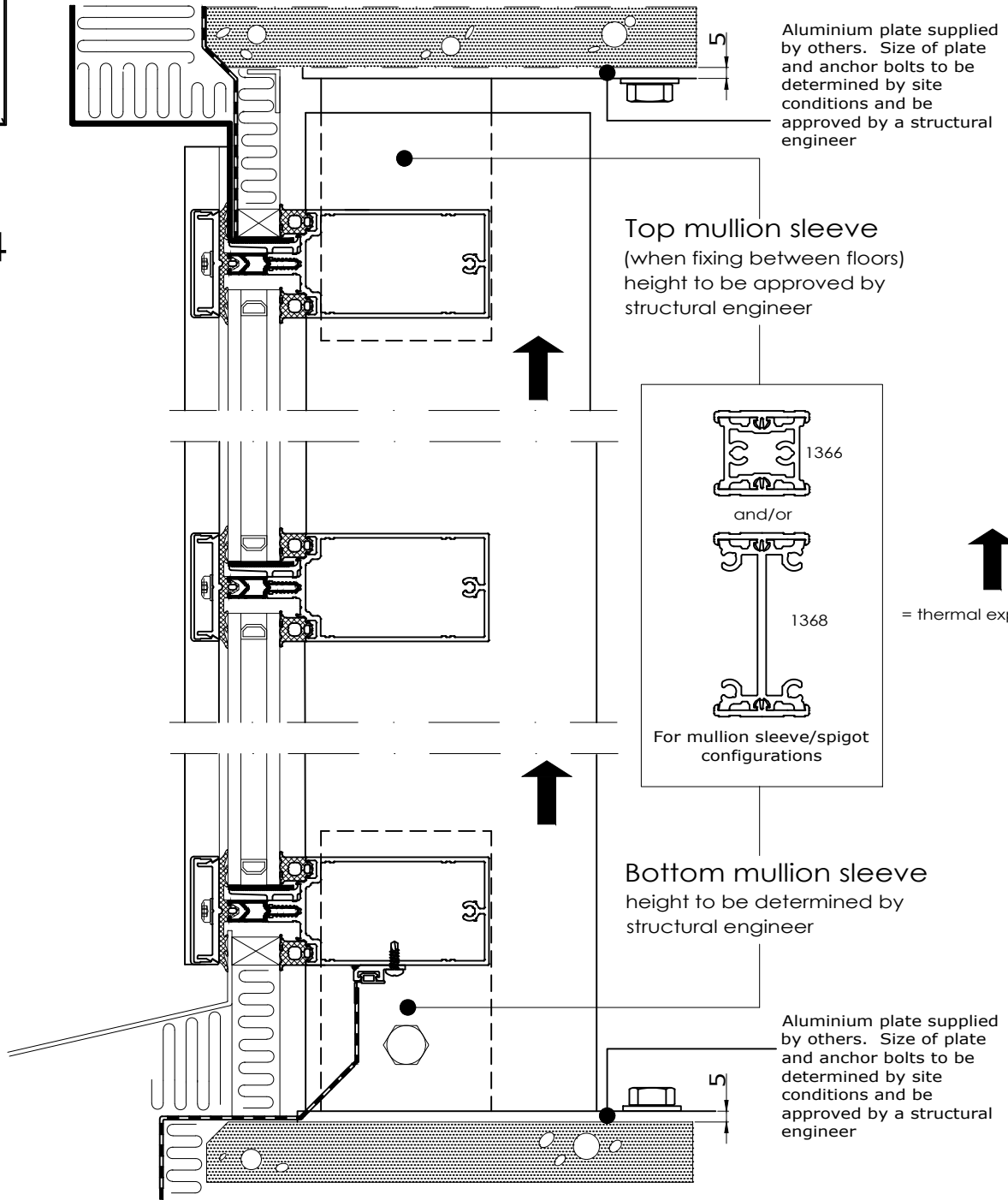
Comar 6EFT

Fixed between floors



7.04

Fabricators Guide

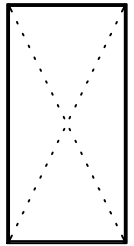


* Standing Construction *

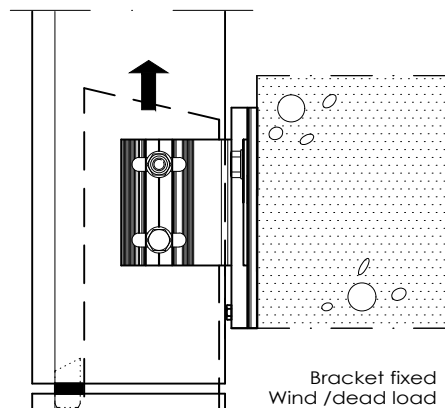
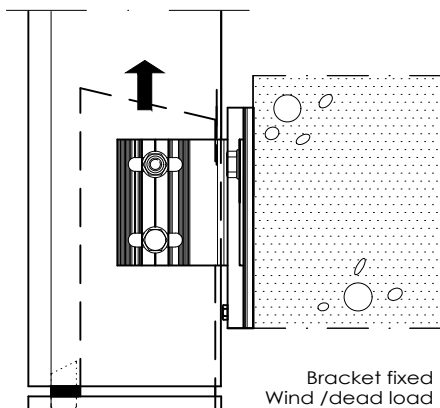
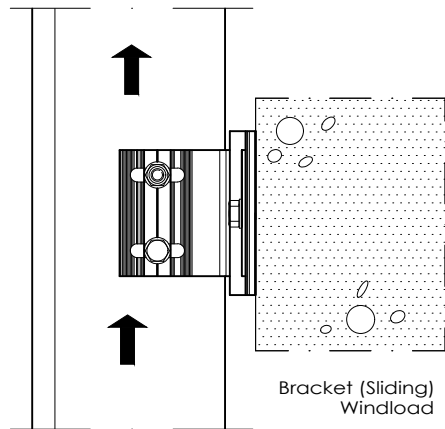
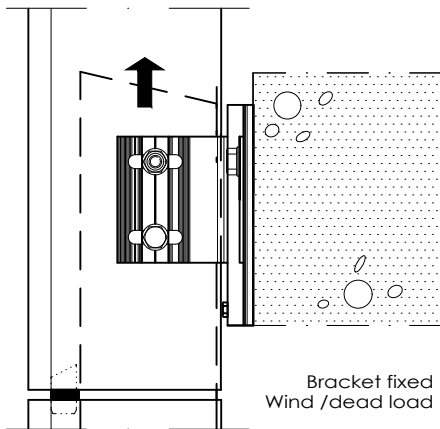
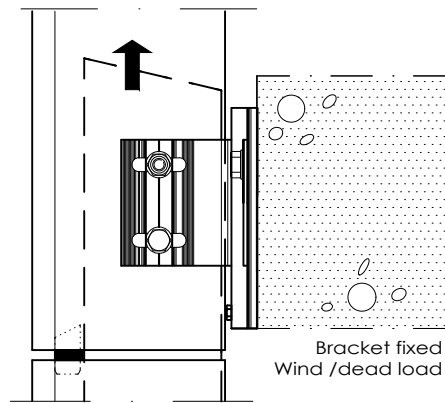
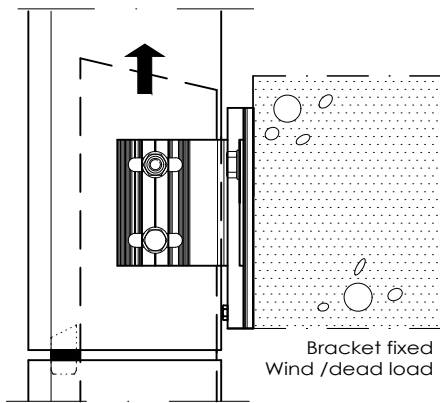
Copyright and ownership of this drawing is vested in EFT, Euro Facade Systems Ltd, whose prior written consent is required for its use, reproduction or for publication to any third party. All other rights reserved. Subject to modifications.

Brackets & Couplings

Copyright and ownership of this drawing is vested in EFT, Euro Facade Systems Ltd, whose prior written consent is required for its use, reproduction or for publication to any third party. All other rights reserved. Subject to modifications.



7.05



↑
= thermal expansion

Single Field Span

Two Field Span

* Propped Construction *

Changes reserved
Sous reserve de modifications
Änderungen vorbehalten

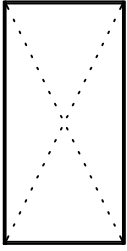
Issue: 05
Date: 10-16

Installation

7

Comar 6EFT

Brackets & coupling



7.06

Fabricators Guide



* Hanging Construction *

Copyright and ownership of this drawing is vested in EFT, Euro Facade Systems Ltd, whose prior written consent is required for its use, reproduction or for publication to any third party. All other rights reserved. Subject to modifications.



comar
ARCHITECTURAL ALUMINIUM SYSTEMS

Changes reserved
Sous reserve de modifications
Änderungen vorbehalten

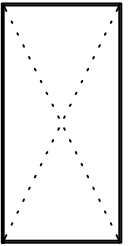
Issue: 05
Date: 10-16

Copyright and ownership of this drawing is vested in EFT, Euro Facade Systems Ltd, whose prior written consent is required for its use, reproduction or for publication to any third party. All other rights reserved. Subject to modifications.

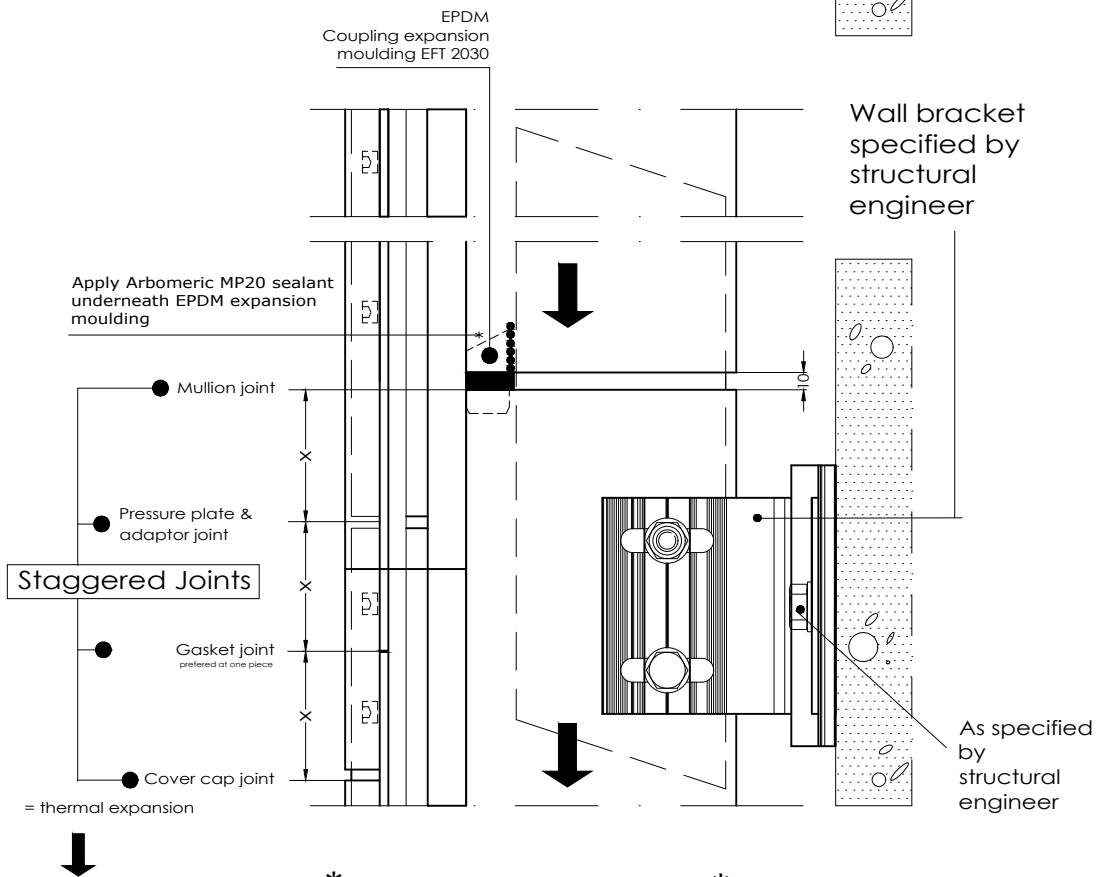
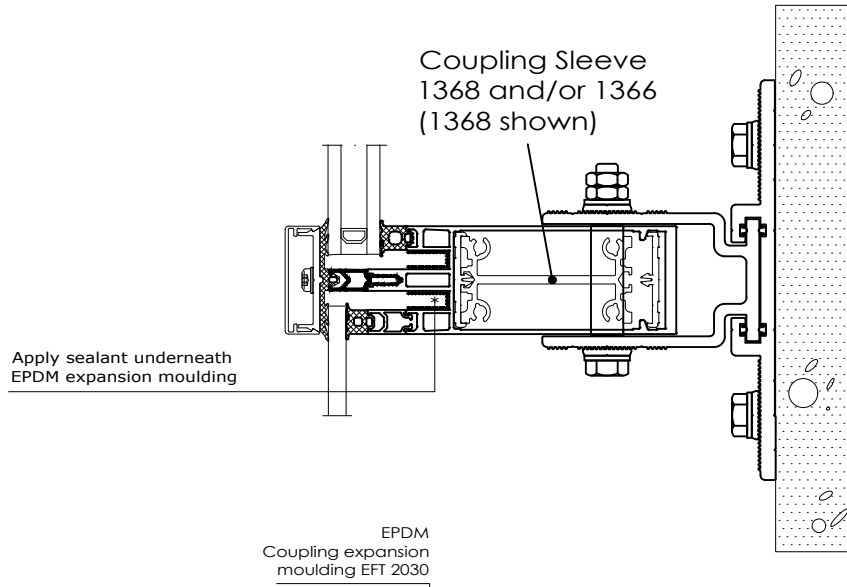
7

Brackets & Coupling

Installation
Comar 6EFT



7.07



Fabricators Guide

Changes reserved
Sous reserve de modifications
Änderungen vorbehalten

Issue: 05
Date: 10-16

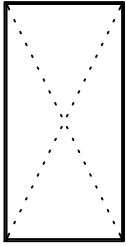


Installation

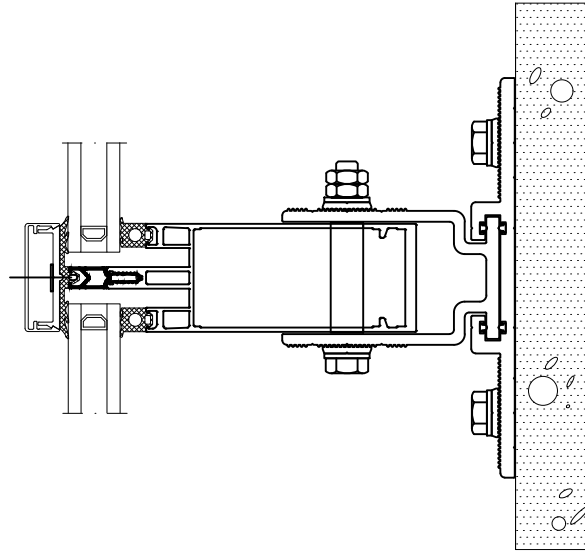
7

Comar 6EFT

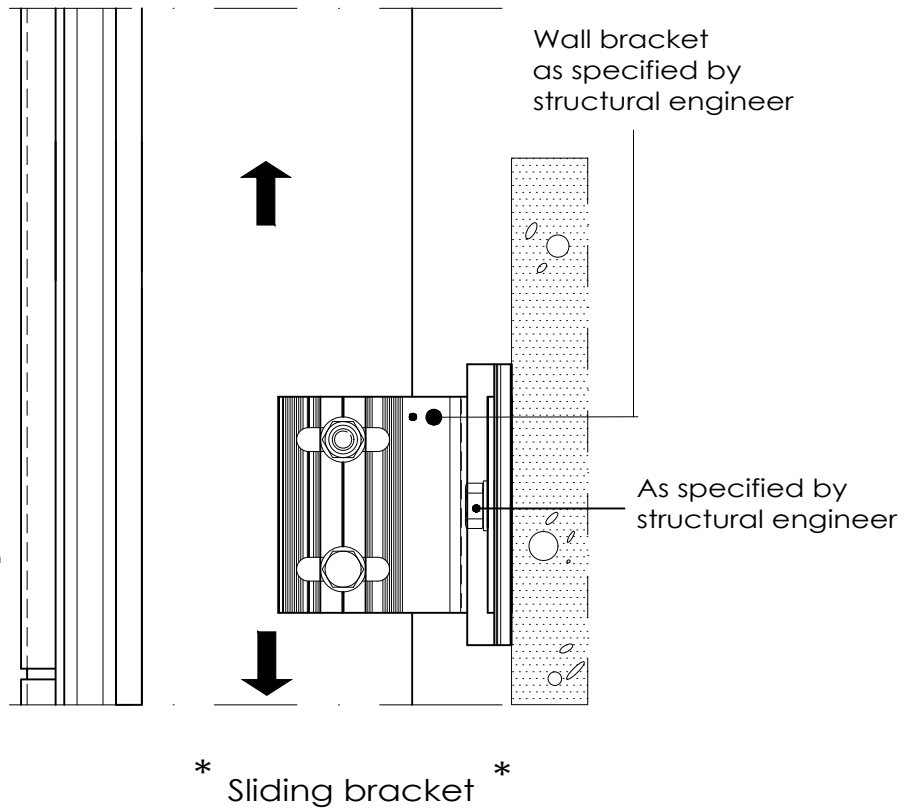
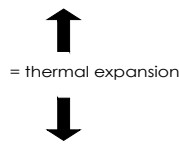
Brackets & coupling



7.08

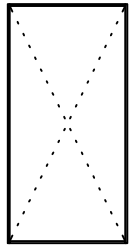


Fabricators Guide



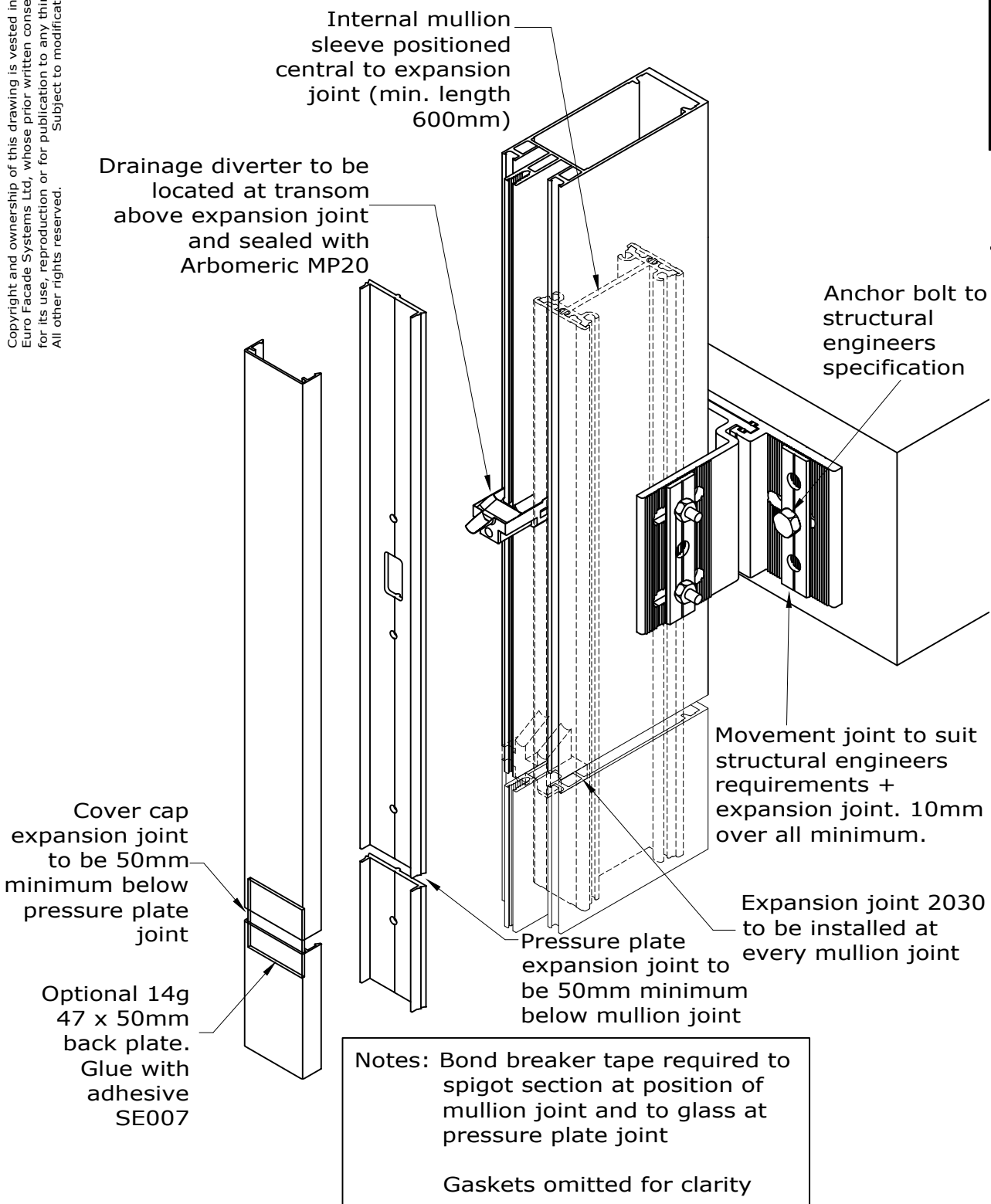
Copyright and ownership of this drawing is vested in EFT, Euro Facade Systems Ltd, whose prior written consent is required for its use, reproduction or for publication to any third party. All other rights reserved. Subject to modifications.

Mullion movement joint preparation



7.09

Copyright and ownership of this drawing is vested in EFT, Euro Facade Systems Ltd, whose prior written consent is required for its use, reproduction or for publication to any third party. All other rights reserved. Subject to modifications.



Changes reserved
Sous reserve de modifications
Änderungen vorbehalten

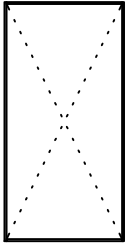
Issue: 05
Date: 10-16

Installation

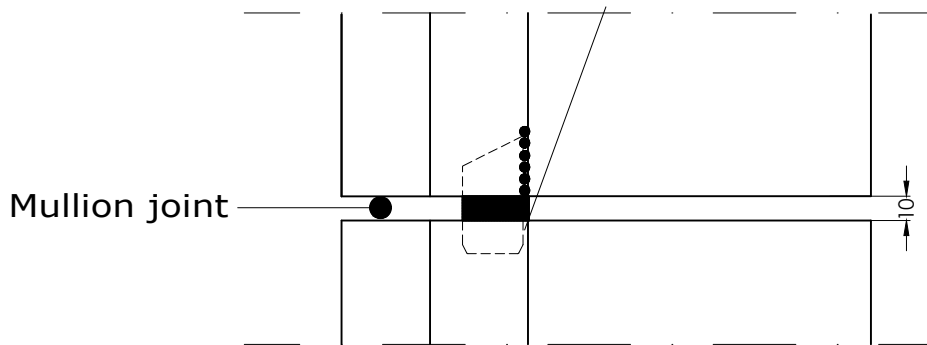
7

Comar 6EFT

Mullion coupling 2030



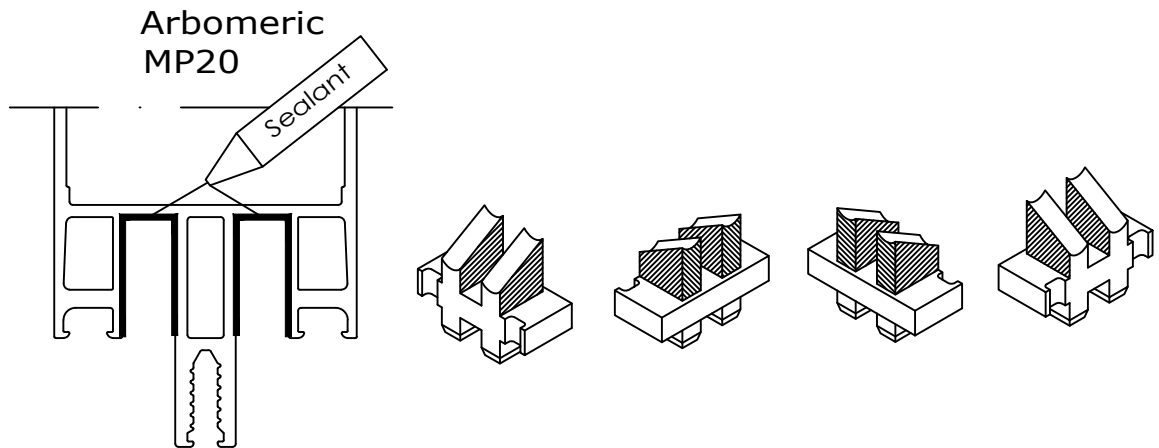
7.10



Copyright and ownership of this drawing is vested in EFT, Euro Facade Systems Ltd, whose prior written consent is required for its use, reproduction or for publication to any third party. All other rights reserved. Subject to modifications.

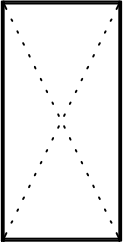
Fabricators Guide

Sealant to be applied at drainage channel in the upper mullion to all shown edges so the mullion coupling is sealed on all sides.



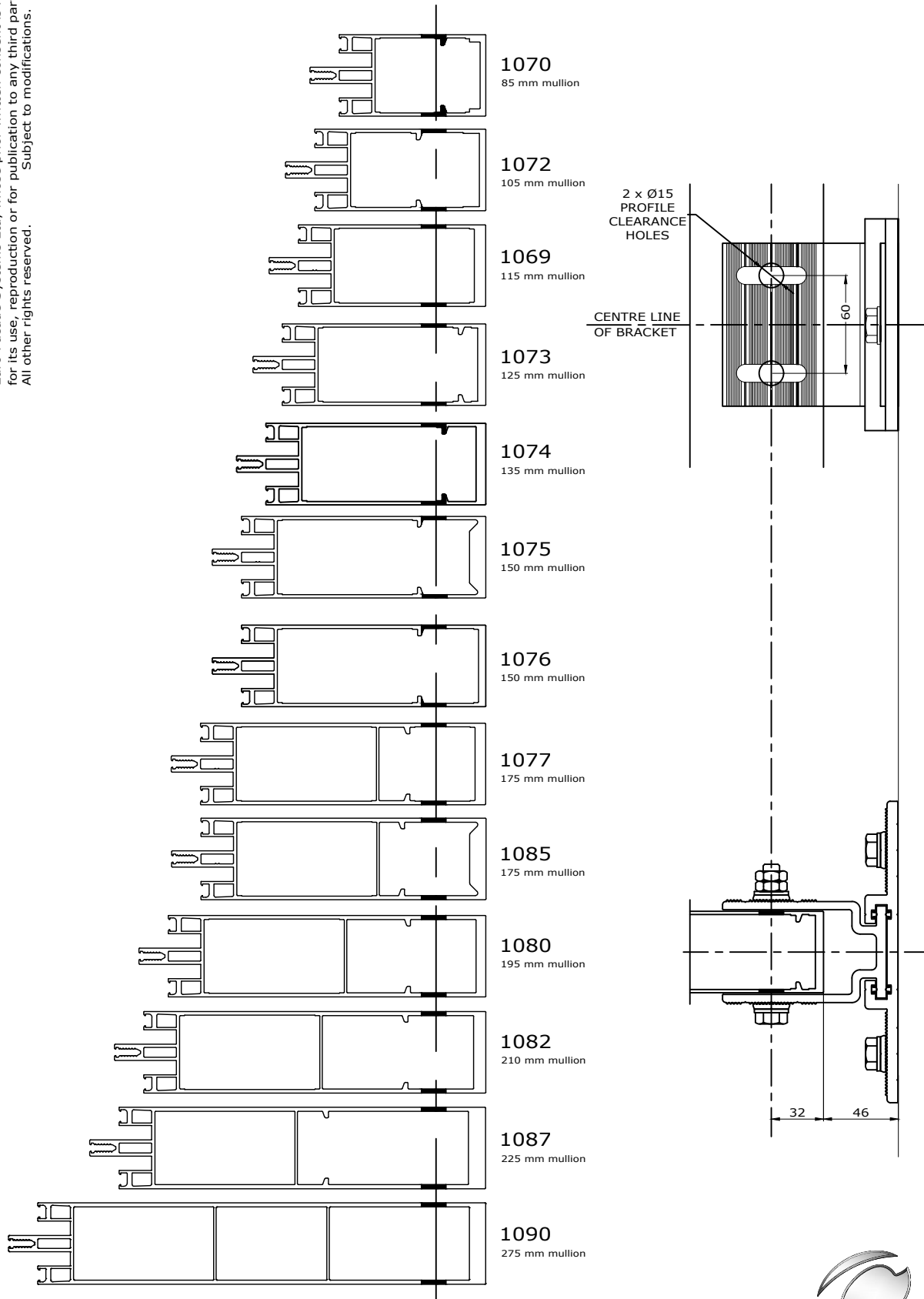
Fixing bracket hole preparation

Comar 6EFT



7.11

Copyright and ownership of this drawing is vested in EFT, Euro Facade Systems Ltd, whose prior written consent is required for its use, reproduction or for publication to any third party. All other rights reserved. Subject to modifications.



Changes reserved
 Sous reserve de modifications
 Änderungen vorbehalten

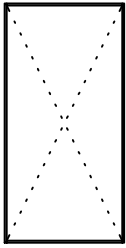
Issue: 05
 Date:10-16

Installation

7

Comar 6EFT

Fixing bracket instructions Page 1



7.12

- 1 Back Plate
- 2 Guide Strip
- 3 Sleeve Channel
- 4 Bearing Tube
- 5 Locking Plate
- 6 Anchor bolts & nuts

Fit anchor bolts (6) specified by your structural engineer to the structure.

Offer the back plate (1) to the structure and line up to the center of the mullion and about the center of the mullions pre-drilled fixing holes.

Secure the back plate (1) with the locking plates (5) and the anchor bolt nuts (6) as shown.

To aid insertion of the sleeve channel fit the glide strips (2) into the back plate (1) leaving them proud by 5 to 6 mm and open out the ends as shown.

Insert the bearing tubes (4) into the mullion profiles pre-drilled holes (See page 7.17)

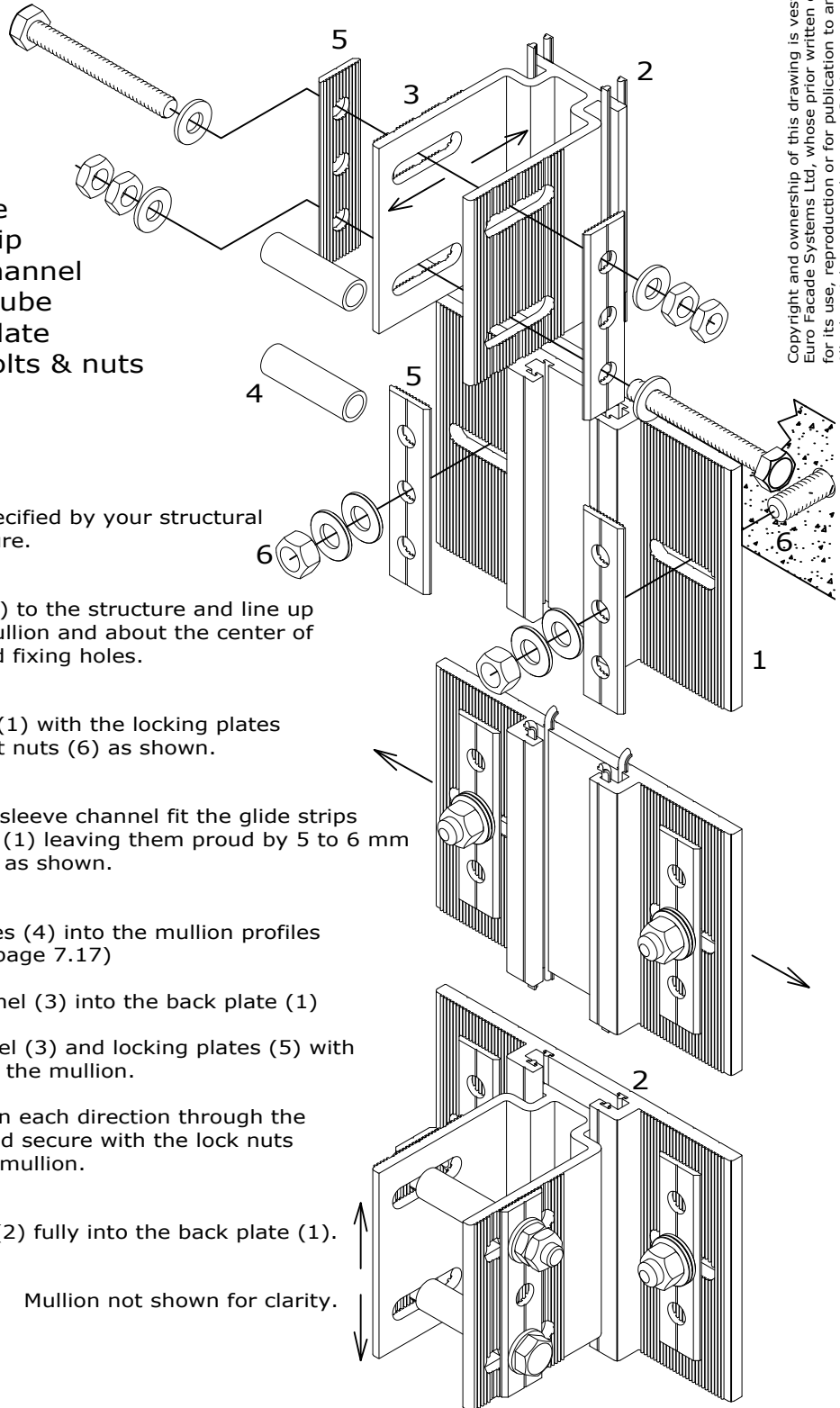
Insert the sleeve channel (3) into the back plate (1)

Align the sleeve channel (3) and locking plates (5) with the pre-drilled holes in the mullion.

Insert the fixings one in each direction through the mullion and bracket and secure with the lock nuts upon alignment of the mullion.

Insert the glide strips (2) fully into the back plate (1).

Mullion not shown for clarity.

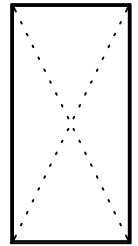


Copyright and ownership of this drawing is vested in EFT, Euro Facade Systems Ltd, whose prior written consent is required for its use, reproduction or for publication to any third party. All other rights reserved. Subject to modifications.



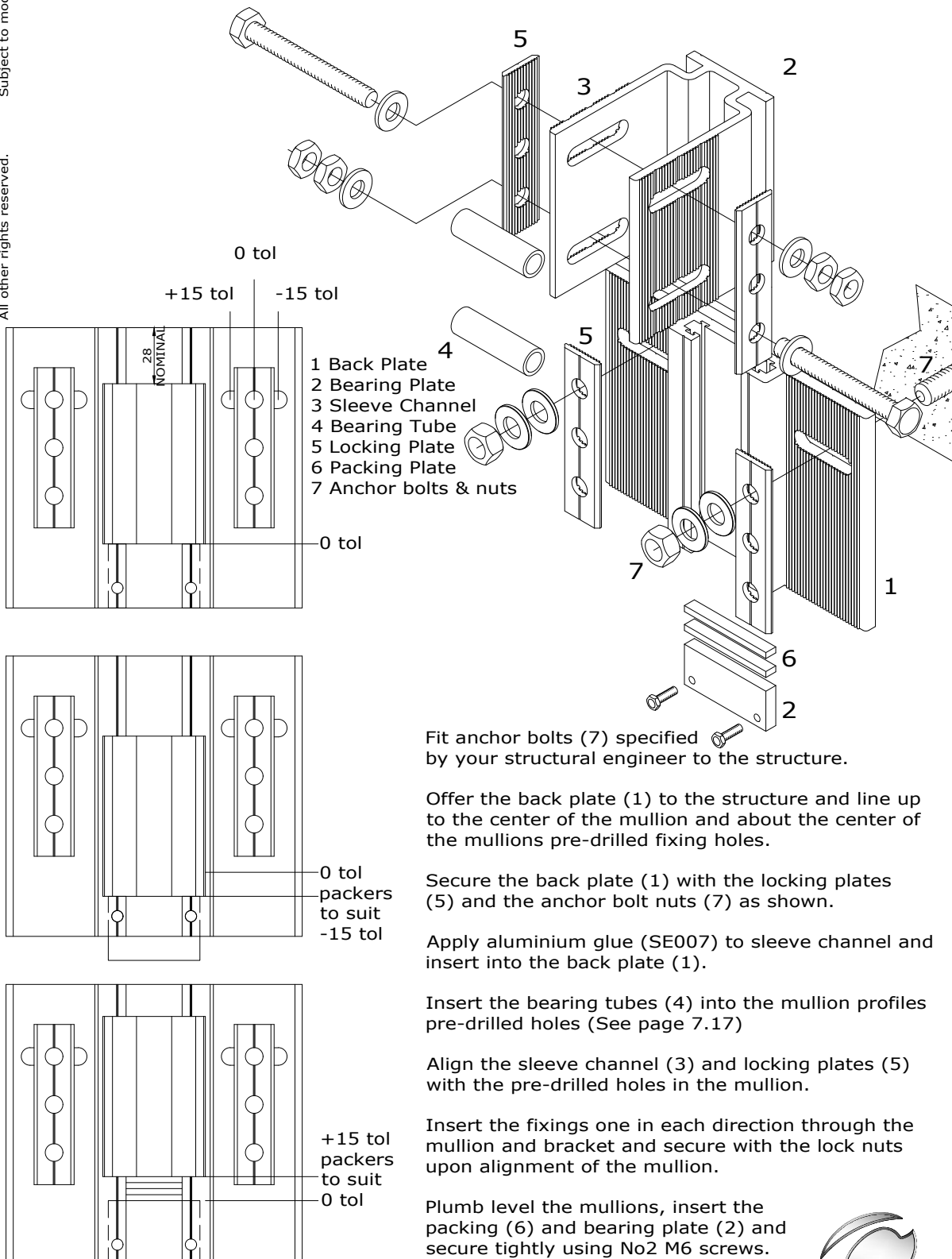
Fixing bracket instructions

Page 2



7.13

Copyright and ownership of this drawing is vested in EFT, Euro Facade Systems Ltd, whose prior written consent is required for its use, reproduction or for publication to any third party. All other rights reserved. Subject to modifications.



Fit anchor bolts (7) specified by your structural engineer to the structure.

Offer the back plate (1) to the structure and line up to the center of the mullion and about the center of the mullions pre-drilled fixing holes.

Secure the back plate (1) with the locking plates (5) and the anchor bolt nuts (7) as shown.

Apply aluminium glue (SE007) to sleeve channel and insert into the back plate (1).

Insert the bearing tubes (4) into the mullion profiles pre-drilled holes (See page 7.17)

Align the sleeve channel (3) and locking plates (5) with the pre-drilled holes in the mullion.

Insert the fixings one in each direction through the mullion and bracket and secure with the lock nuts upon alignment of the mullion.

Plumb level the mullions, insert the packing (6) and bearing plate (2) and secure tightly using No2 M6 screws.

Changes reserved
Sous reserve de modifications
Änderungen vorbehalten

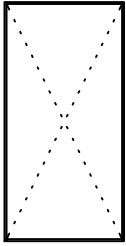
Issue: 05
Date: 10-16

Installation

7

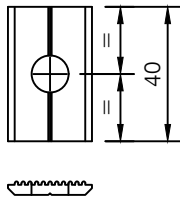
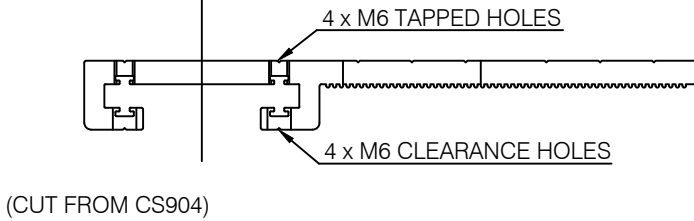
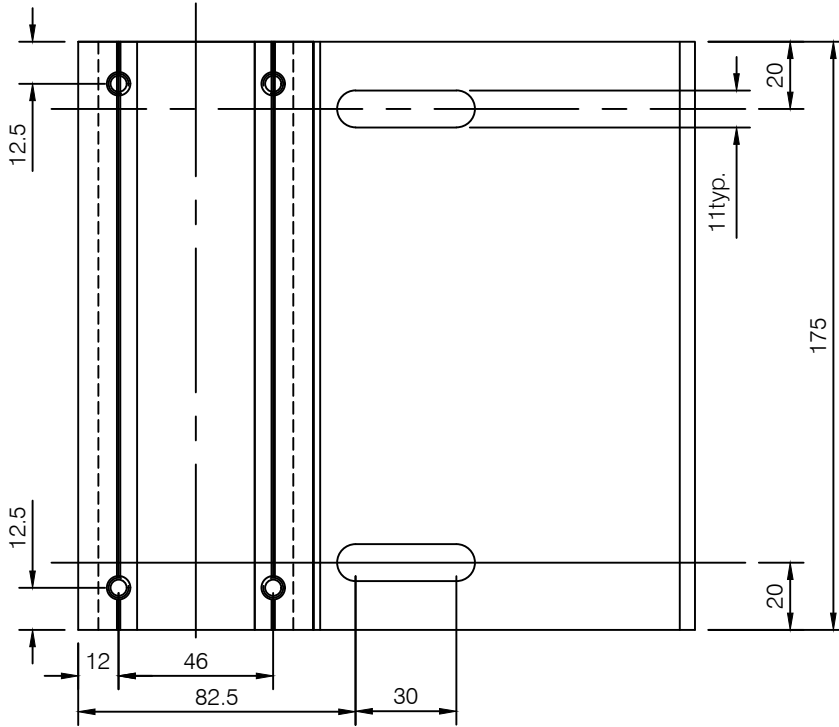
Comar 6EFT

Wall fixing bracket (jamb) CW671 Page 1

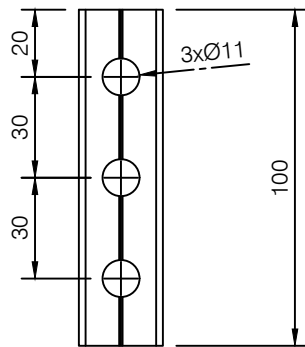


7.14

Fabricators Guide



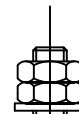
(CUT FROM CS903)



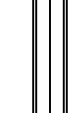
(CUT FROM CS903)



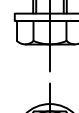
2 No. M6x20mm SCREWS
FX676XSLF



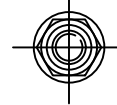
4 No. M10 Locking Nuts.
FX673XSLF



2 No. M10 x 90mm Hex Head Bolts.
FX672XSLF



4 No. M10 Nylon Washers.
FX674XSLF



Copyright and ownership of this drawing is vested in EFT,
Euro Facade Systems Ltd, whose prior written consent is required
for its use, reproduction or for publication to any third party.
All other rights reserved. Subject to modifications.



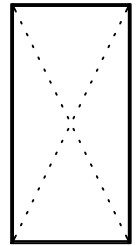
comar
ARCHITECTURAL ALUMINIUM SYSTEMS

Changes reserved
Sous reserve de modifications
Änderungen vorbehalten

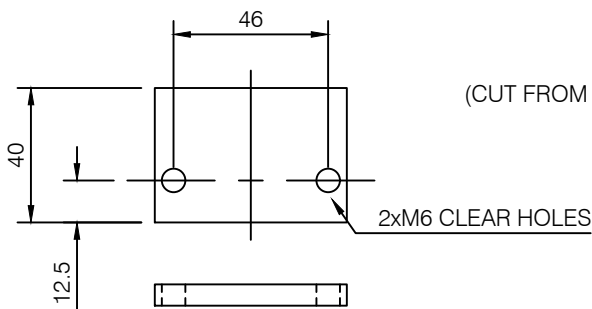
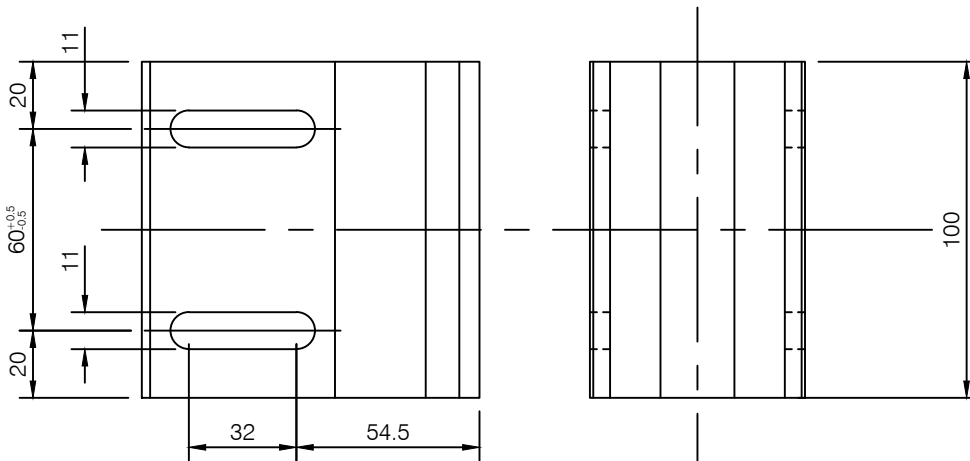
Issue: 05
Date: 10-16

Wall fixing bracket instructions (jamb) CW671 Page 2

Copyright and ownership of this drawing is vested in EFT, Euro Facade Systems Ltd, whose prior written consent is required for its use, reproduction or for publication to any third party. All other rights reserved. Subject to modifications.



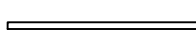
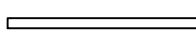
7.15



(CUT FROM CS902)

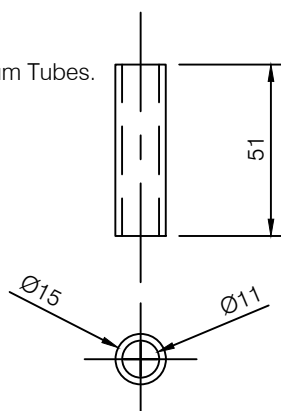
Aluminium glue to be applied before assembly (SE007)
Not supplied in kit.

1 No. 2 1/4" x 1/4" Aluminium Flat
CL006XSLF

 2mm packer - CL012XSLF (pack of 10)
 3mm packer - CL013XSLF (pack of 10)

Packers are purchased as separate items.

2 No. Aluminium Tubes.
FX675XSLF



KIT COMPRISES

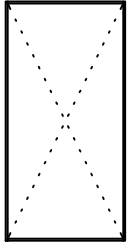
- 1 No. CS901 Component
- 1 No. CS902 Component
- 4 No. CS903 Components
- 1 No. Aluminium Flat. CL006XSLF
- 2 No. Aluminium Tubes. FX675XSLF
- 4 No. M10 Locking Nuts. FX673XSLF
- 2 No. M10 x 90mm Hex Head Bolts. FX672XSLF
- 4 No. M10 Nylon Washers. FX674XSLF
- 2 No. M6 x 20mm Screws. FX676XSLF

Changes reserved
Sous reserve de modifications
Änderungen vorbehalten

Issue: 05
Date: 10-16

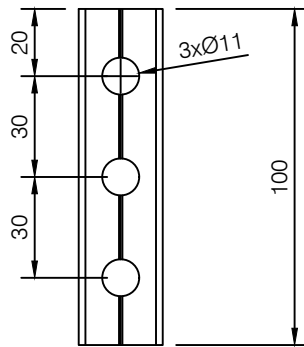
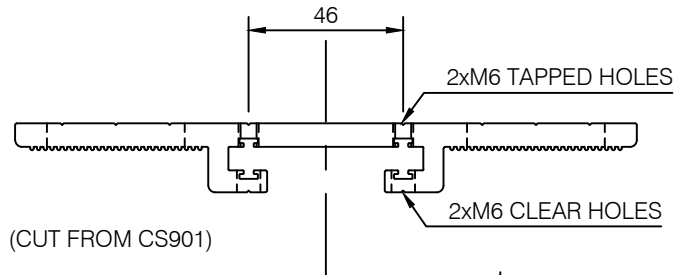
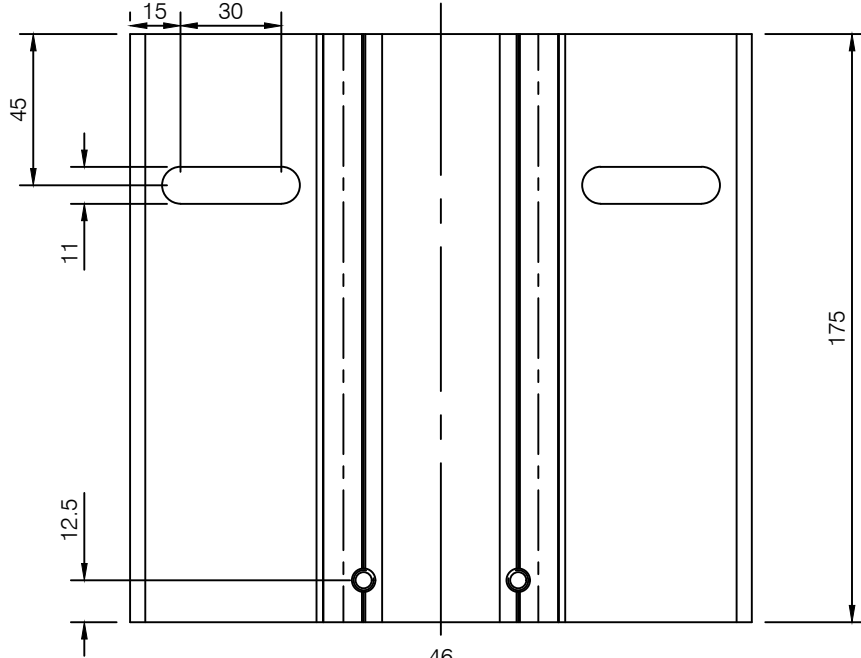
Installation 7

Comar 6EFT



7.16

Wall fixing bracket
(intermediate) CW672
Page 1



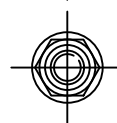
(CUT FROM CS903)

2 No. M6 x 20mm SCREWS
FX676XSLF

4 No. M10 Locking Nuts.
FX673XSLF

2 No. M10 x 90mm Hex Head Bolts.
FX672XSLF

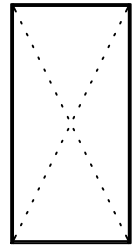
4 No. M10 Nylon Washers.
FX674XSLF



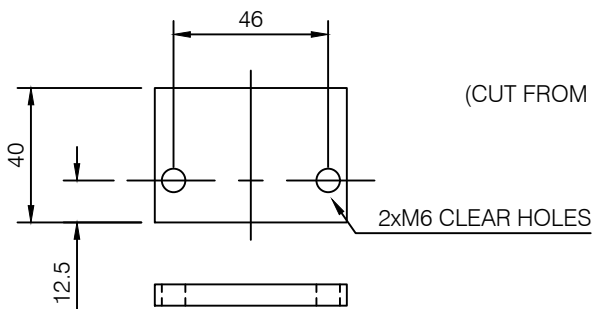
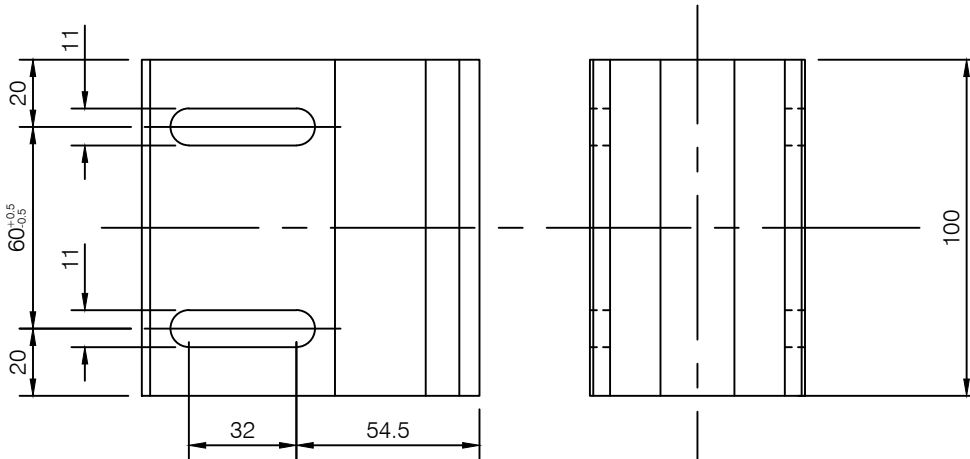
Copyright and ownership of this drawing is vested in EFT, Euro Facade Systems Ltd, whose prior written consent is required for its use, reproduction or for publication to any third party. All other rights reserved. Subject to modifications.

Wall fixing bracket instructions (intermediate) CW672 Page 2

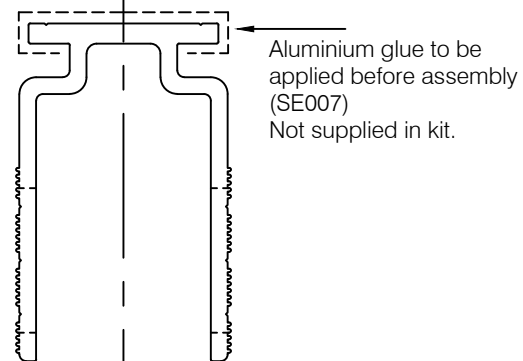
Copyright and ownership of this drawing is vested in EFT, Euro Facade Systems Ltd, whose prior written consent is required for its use, reproduction or for publication to any third party. All other rights reserved. Subject to modifications.



7.17



(CUT FROM CS902)

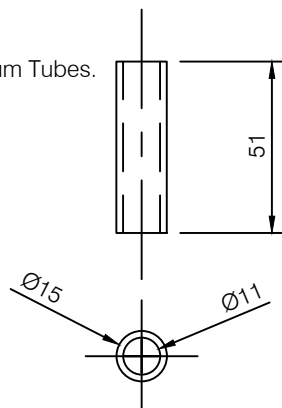


1 No. 2 1/4" x 1/4" Aluminium Flat
CL006XSFLF

2mm packer - CL012XSFLF (pack of 10)
3mm packer - CL013XSFLF (pack of 10)

Packers are purchased as separate items.

2 No. Aluminium Tubes.
FX675XSFLF



KIT COMPRISES

- 1 No. CS901 Component
- 1 No. CS902 Component
- 4 No. CS903 Components
- 1 No. Aluminium Flat. CL006XSFLF
- 2 No. Aluminium Tubes. FX675XSFLF
- 4 No. M10 Locking Nuts. FX673XSFLF
- 2 No. M10 x 90mm Hex Head Bolts. FX672XSFLF
- 4 No. M10 Nylon Washers. FX674XSFLF
- 2 No. M6 x 20mm Screws. FX676XSFLF

Changes reserved
Sous reserve de modifications
Änderungen vorbehalten

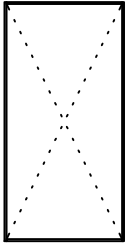
Issue: 05
Date: 10-16

Installation

7

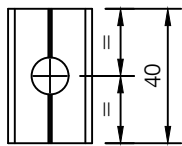
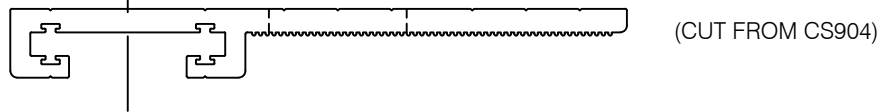
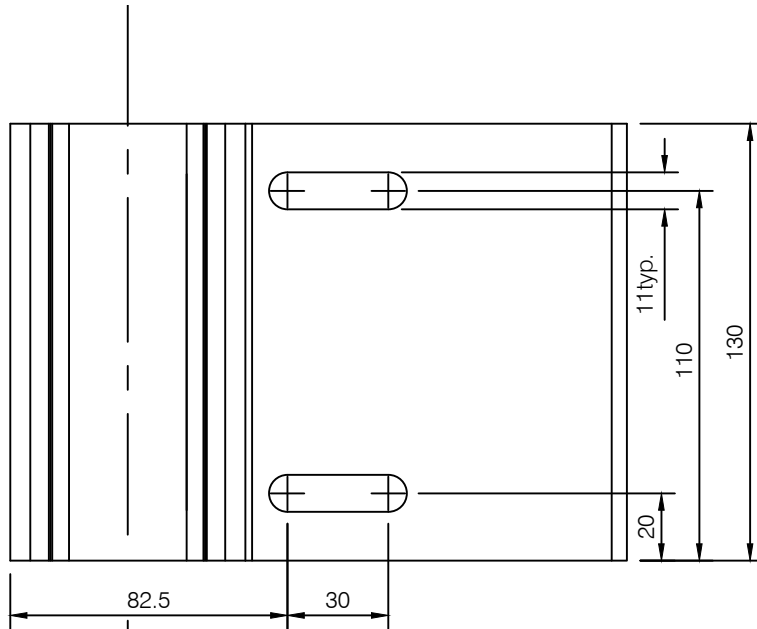
Comar 6EFT

Wall sliding bracket (jamb) CW673 Page 1

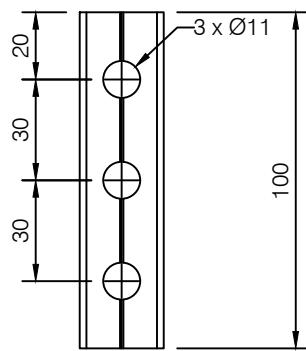


7.18

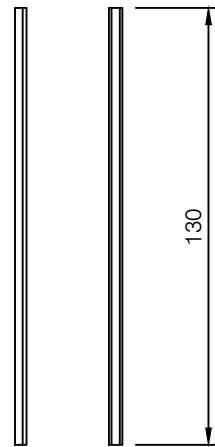
Fabricators Guide



(CUT FROM CS903)



(CUT FROM CS903)



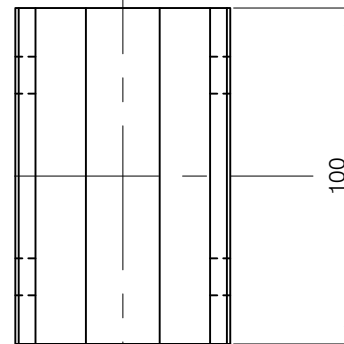
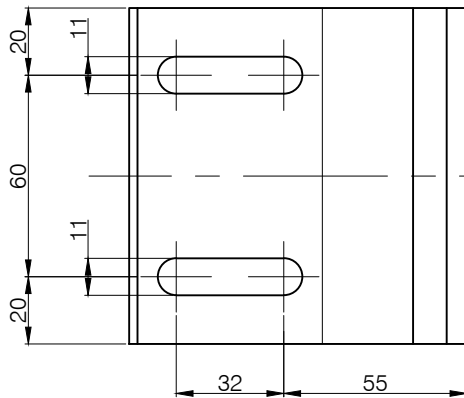
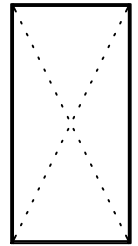
4 No. Req'd cut from GK055.
These items are not supplied in the kit.

Copyright and ownership of this drawing is vested in EFT, Euro Facade Systems Ltd, whose prior written consent is required for its use, reproduction or for publication to any third party. All other rights reserved. Subject to modifications.

Wall fixing bracket (jamb) CW673

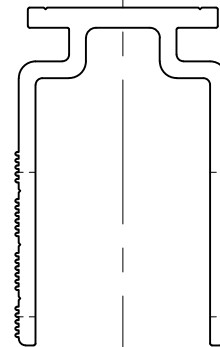
Page 2

Comar 6EFT

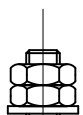


7.19

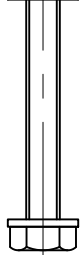
(CUT FROM CS902)



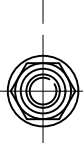
Fabricators Guide



4 No. M10 Locking Nuts.
FX673XSLF



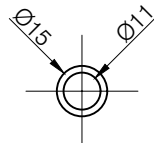
2 No. M10 x 90mm Hex Head Bolts.
FX672XSLF



4 No. M10 Nylon Washers.
FX674XSLF



2 No. Aluminium Tubes.
FX675XSLF



KIT COMPRISES

- 1 No. CS901 Component
- 1 No. CS902 Component
- 4 No. CS903 Components
- 2 No. Aluminium Tubes. FX675XSLF
- 4 No. M10 Locking Nuts. FX673XSLF
- 2 No. M10 x 90mm Hex Head Bolts. FX672XSLF
- 4 No. M10 Nylon Washers. FX674XSLF

Changes reserved
Sous reserve de modifications
Änderungen vorbehalten

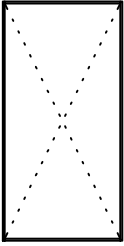
Issue: 05
Date: 10-16

Installation

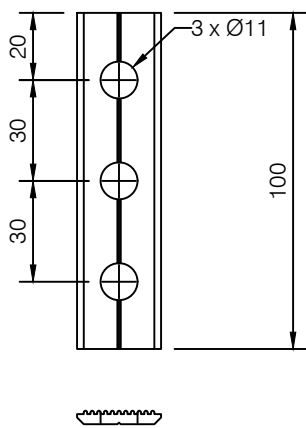
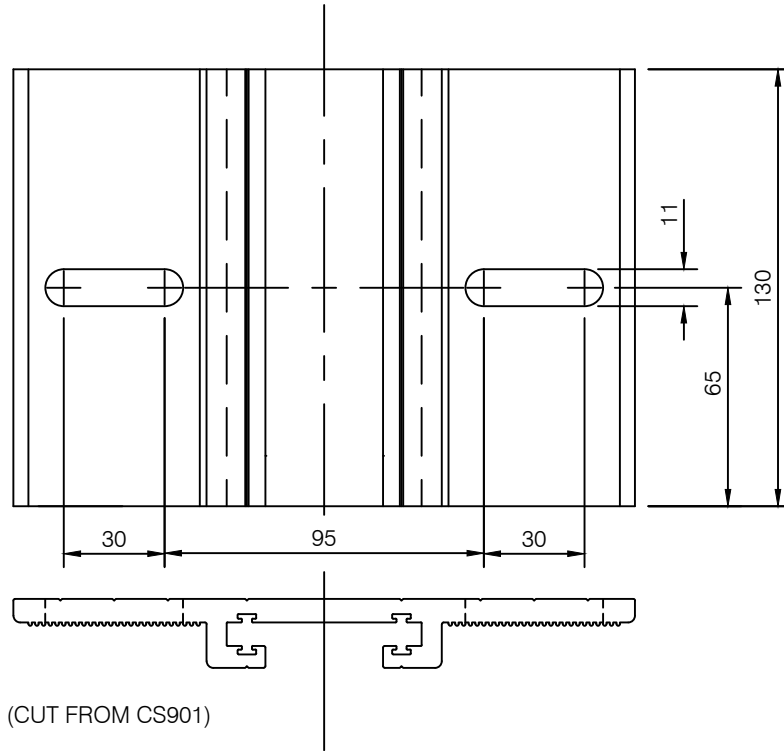
7

Comar 6EFT

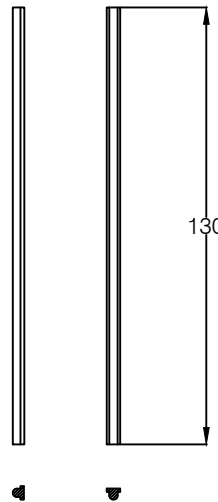
Wall sliding bracket (intermediate) CW674 Page 1



7.20



(CUT FROM CS903)

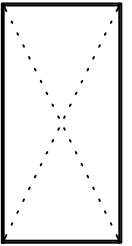


4 No. Req'd cut from GK055.
These items are not supplied in the kit.

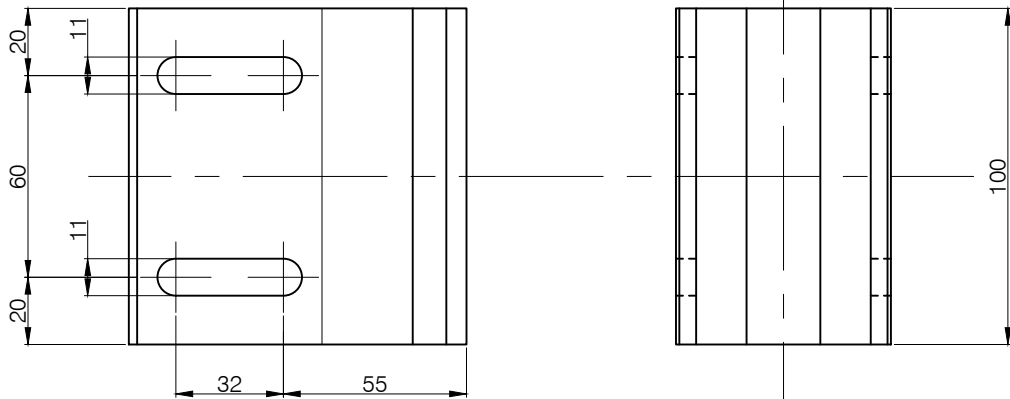
Copyright and ownership of this drawing is vested in EFT, Euro Facade Systems Ltd, whose prior written consent is required for its use, reproduction or for publication to any third party. All other rights reserved. Subject to modifications.

Fabricators Guide

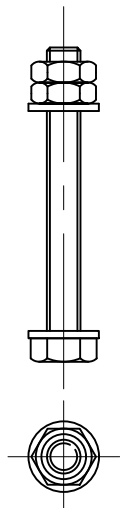
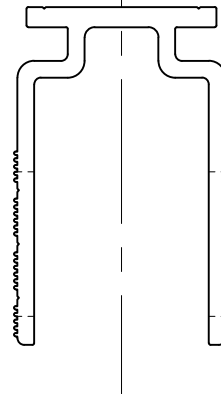
Wall fixing bracket
(intermediate) CW674
Page 2



7.21



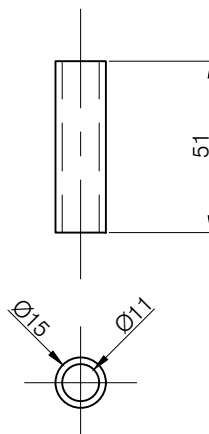
(CUT FROM CS902)



4 No. M10 Locking Nuts.
FX673XSLF

2 No. M10 x 90mm Hex Head Bolts.
FX672XSLF

4 No. M10 Nylon Washers.
FX674XSLF



2 No. Aluminium Tubes.
FX675XSLF

KIT COMPRISES

- 1 No. CS901 Component
- 1 No. CS902 Component
- 4 No. CS903 Components
- 2 No. Aluminium Tubes. FX675XSLF
- 4 No. M10 Locking Nuts. FX673XSLF
- 2 No. M10 x 90mm Hex Head Bolts. FX672XSLF
- 4 No. M10 Nylon Washers. FX674XSLF

Changes reserved
Sous reserve de modifications
Änderungen vorbehalten

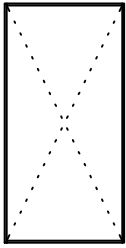
Issue: 05
Date: 10-16

Profile Sections

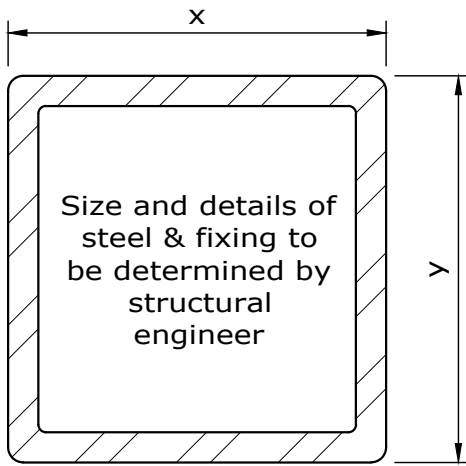
7

Comar 6EFT

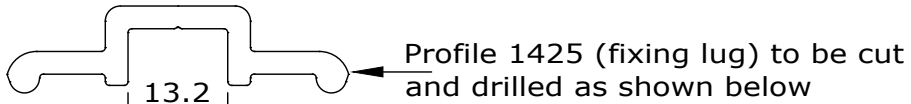
Direct fix to steel
fixing lug preparation



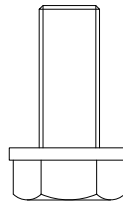
7.22



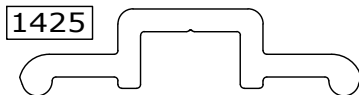
Aluminium to steel isolator
(supplied by others)



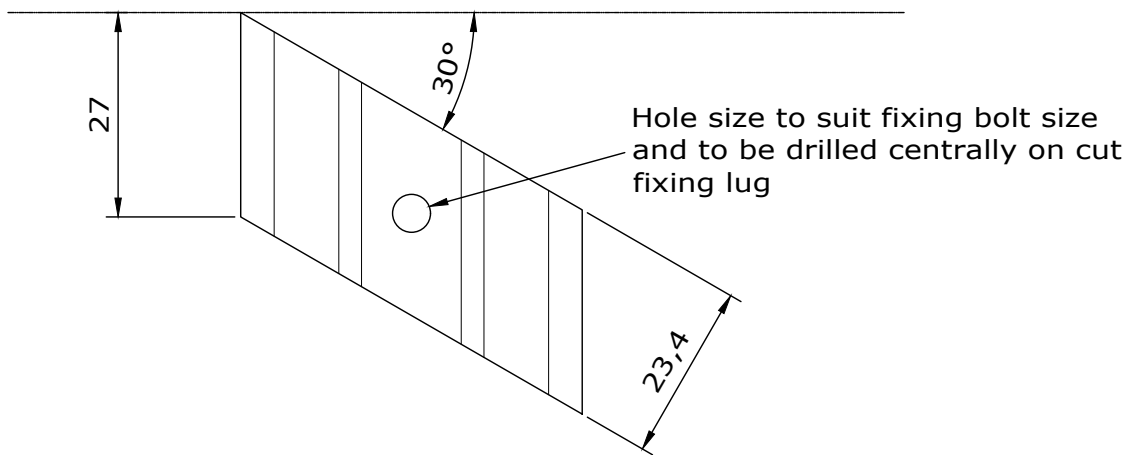
1mm spring washer
(supplied by others)



Fixing bolt (supplied by others) to
structural engineers specification



Profile 1425 to be cut and drilled
to create fixing lugs as shown



Copyright and ownership of this drawing is vested in EFT,
Euro Facade Systems Ltd, whose prior written consent is required
for its use, reproduction or for publication to any third party.
All other rights reserved. Subject to modifications.

Fabricators Guide

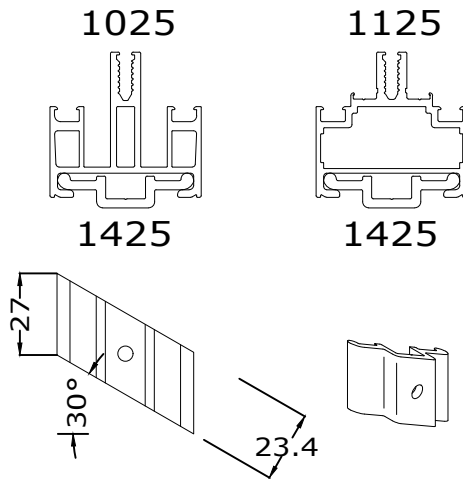


comar
ARCHITECTURAL ALUMINIUM SYSTEMS

Changes reserved
Sous reserve de modifications
Änderungen vorbehalten

Issue: 05
Date : 10-16

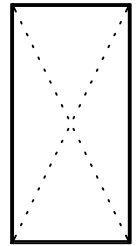
Direct fix to steel Fixing lug spacing



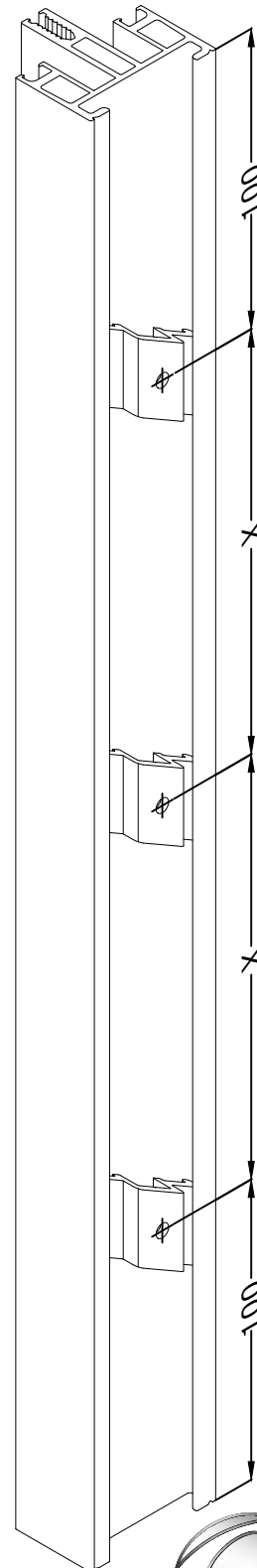
Centre of fixing lug to be positioned 100mm from the end of each mullion and transom.

Fixing lug spacing then depends on height of curtain walling.

Areas of curtain walling	
≤15m in height	>15m in height
Fixing lugs at 600mm centres max.	Fixing lugs at 400mm centres max.

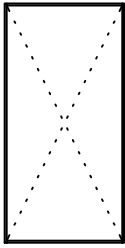


7.23

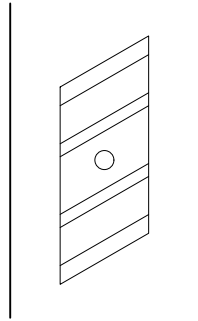


Comar 6EFT

Direct fix to steel
Fixing lugs



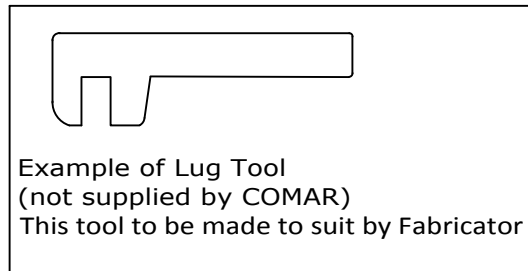
7.24



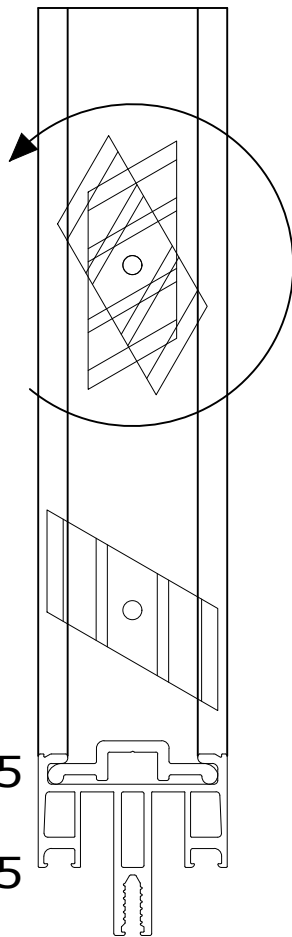
1. Aluminium to steel separator, fixing lug and 1mm spring washer to be fixed to steel using suitable fixing as approved by structural engineer at spacing as stated on page 7.28.

2. Mullion/transom profile to be placed over toggles.

3. Toggle to be twisted through 90°



4. Toggle in final position

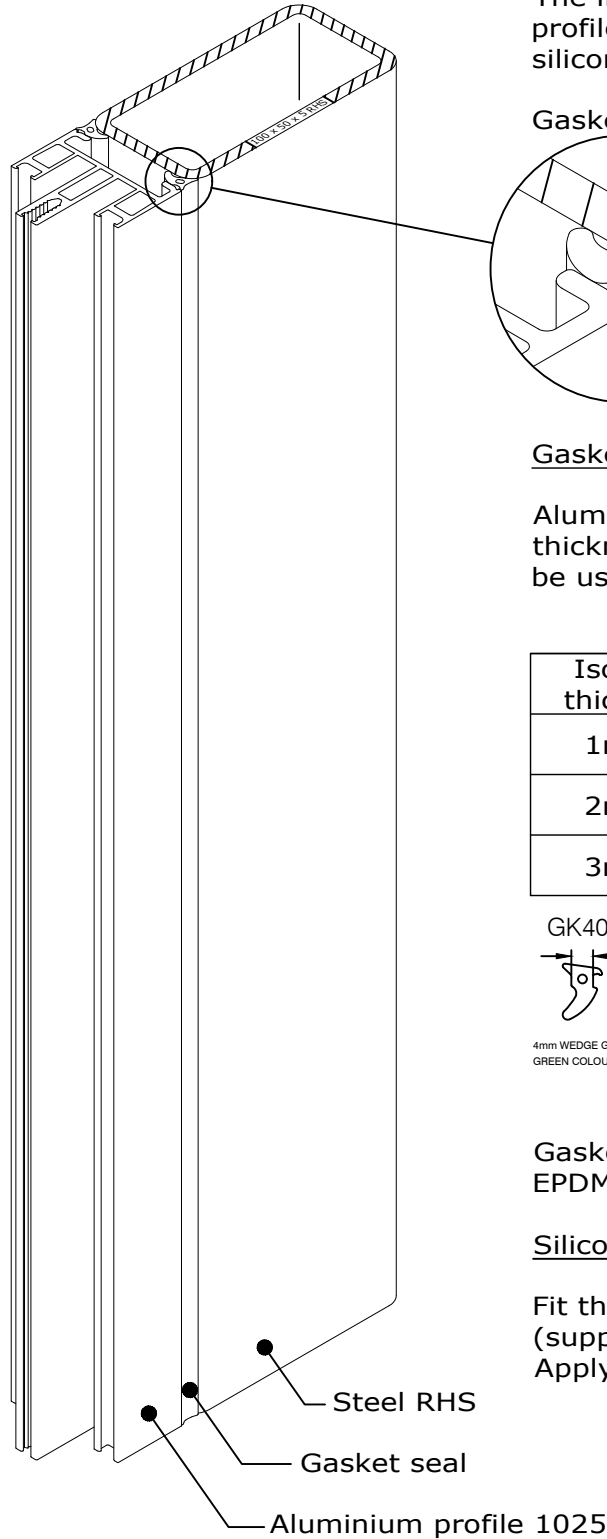


Fabricators Guide

Copyright and ownership of this drawing is vested in EFT, Euro Facade Systems Ltd, whose prior written consent is required for its use, reproduction or for publication to any third party. All other rights reserved. Subject to modifications.

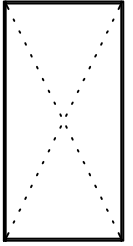
Copyright and ownership of this drawing is vested in EFT, Euro Facade Systems Ltd, whose prior written consent is required for its use, reproduction or for publication to any third party. All other rights reserved.

Direct fix to steel Internal sealing



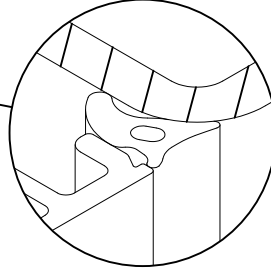
7 Installation

Comar 6EFT

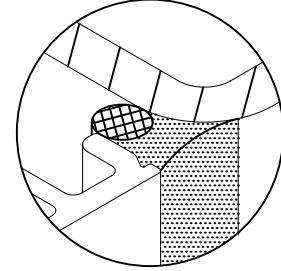


The internal seal between the aluminium profile and the steel can be a gasket or silicone sealant.

Gasket seal



Silicone seal



or

7.25

Gasket seal

Aluminium to steel isolator thickness will affect which gasket should be used.

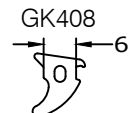
Isolator thickness	Gasket to use	Wedge size
1mm	GK405	4mm
2mm	GK407	5mm
3mm	GK408	6mm



4mm WEDGE GASKET
GREEN COLOUR STRIP



5.2mm WEDGE GASKET
BROWN COLOUR STRIP



6mm WEDGE GASKET
PINK COLOUR STRIP

Gasket joints to be bonded using EPDM bonding compound.

Silicone seal

Fit the backing rods as shown.
(supplied by others)
Apply the silicone sealant as shown.

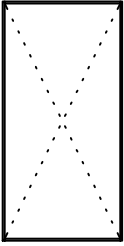
Changes reserved
Sous reserve de modifications
Änderungen vorbehalten

Issue: 05
Date: 10-16

Installation **7**

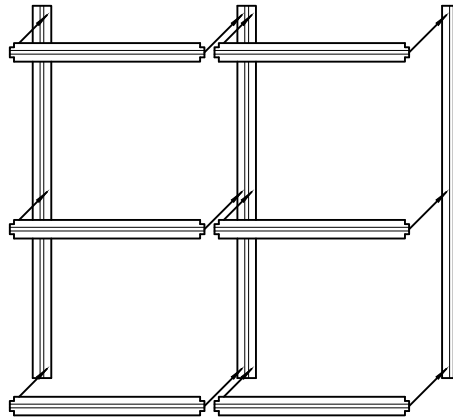
Comar 6EFT

Installation methods



Installation Method: 1

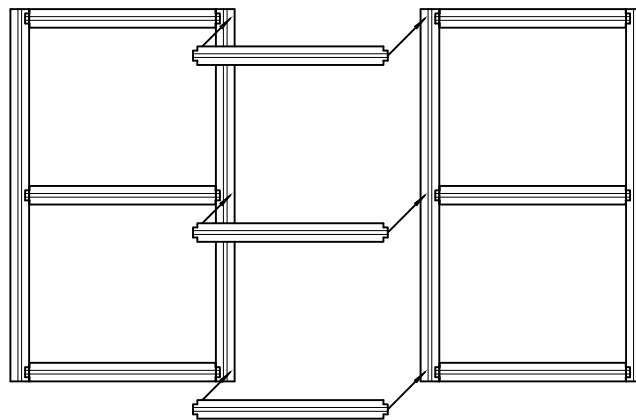
Mullions followed by transoms.



7.26

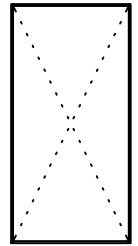
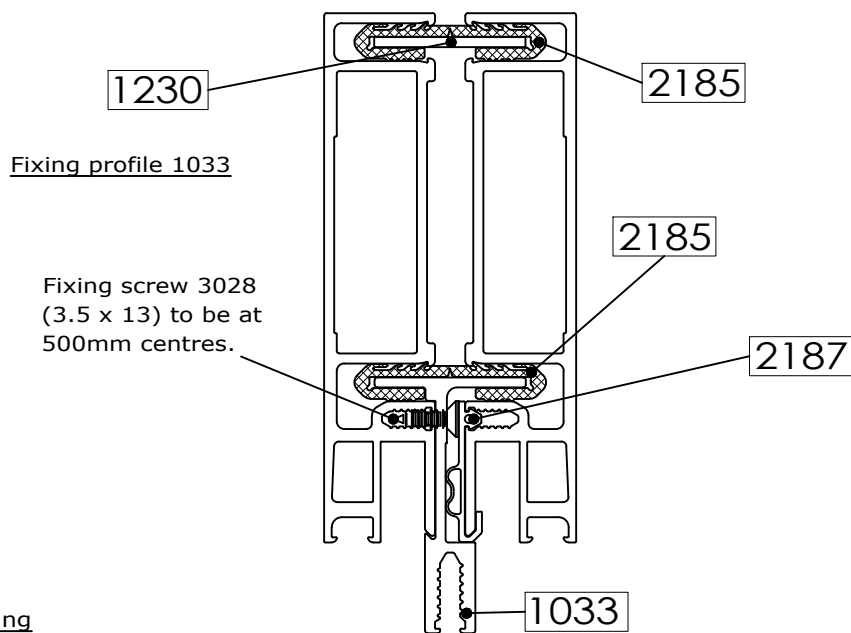
Installation Method: 2

Elements (ladders) followed by intermediate transoms.



Copyright and ownership of this drawing is vested in EFT, Euro Facade Systems Ltd, whose prior written consent is required for its use, reproduction or for publication to any third party. All other rights reserved. Subject to modifications.

Split mullion details



7.27

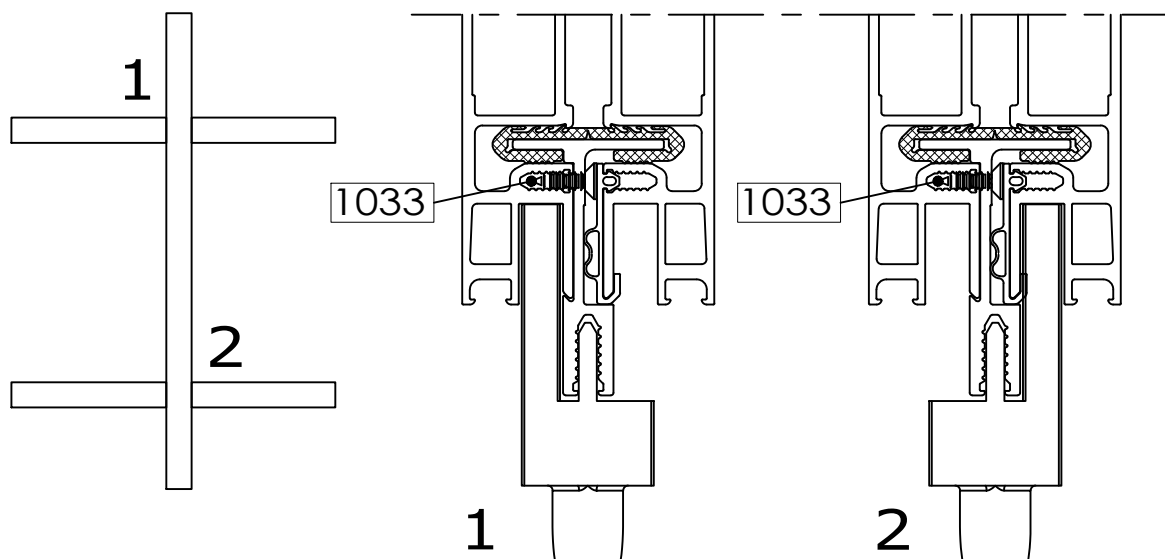
Mullion-transom fixing

For split mullions, either spring loaded cleats (2310) or precut transom cleats can be used to fix to the mullions.

Note: With spring loaded cleat 2310, the 45mm transom cannot be used with a split mullion.

Drainage diverter installation (for split mullions only)

Where a drainage diverter should be installed according to page 7.37, opposite sides of the drainage diverter must be cut away and positioned at 2 different transom levels.



Installation

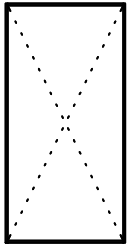
7

Comar 6EFT

Mullion - Transom connection (Option 1)

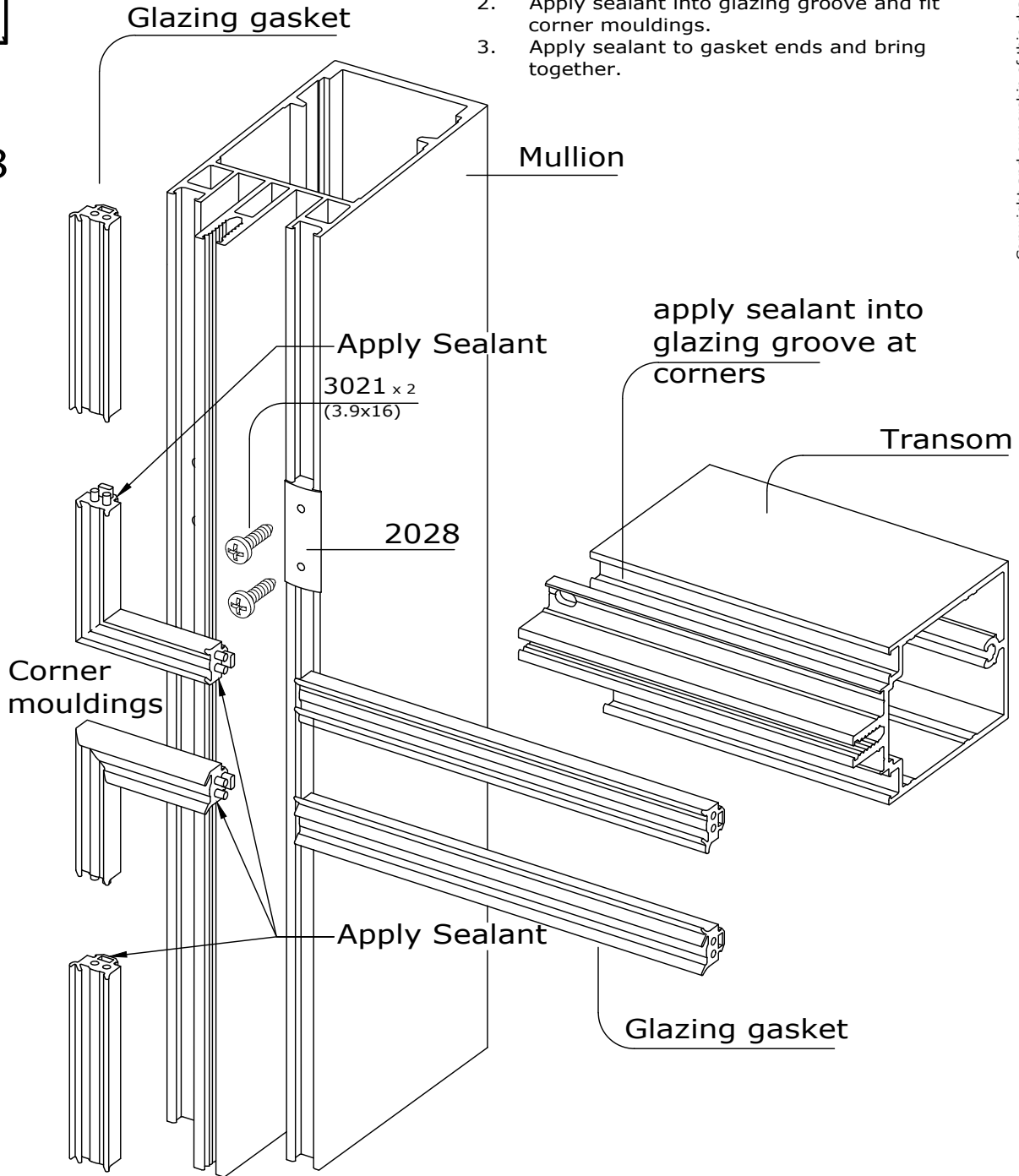
Notes:

1. Apply sealant to transom fixing screws and gasket groove below transom seal.
2. Apply sealant into glazing groove and fit corner mouldings.
3. Apply sealant to gasket ends and bring together.



7.28

Fabricators Guide



Copyright and ownership of this drawing is vested in EFT, Euro Facade Systems Ltd, whose prior written consent is required for its use, reproduction or for publication to any third party. All other rights reserved. Subject to modifications.



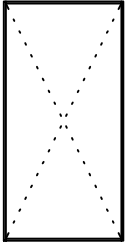
comar
ARCHITECTURAL ALUMINIUM SYSTEMS

Changes reserved
Sous reserve de modifications
Änderungen vorbehalten

Issue: 05
Date : 10-16

Mullion - Transom connection (Option 2)

Comar 6EFT

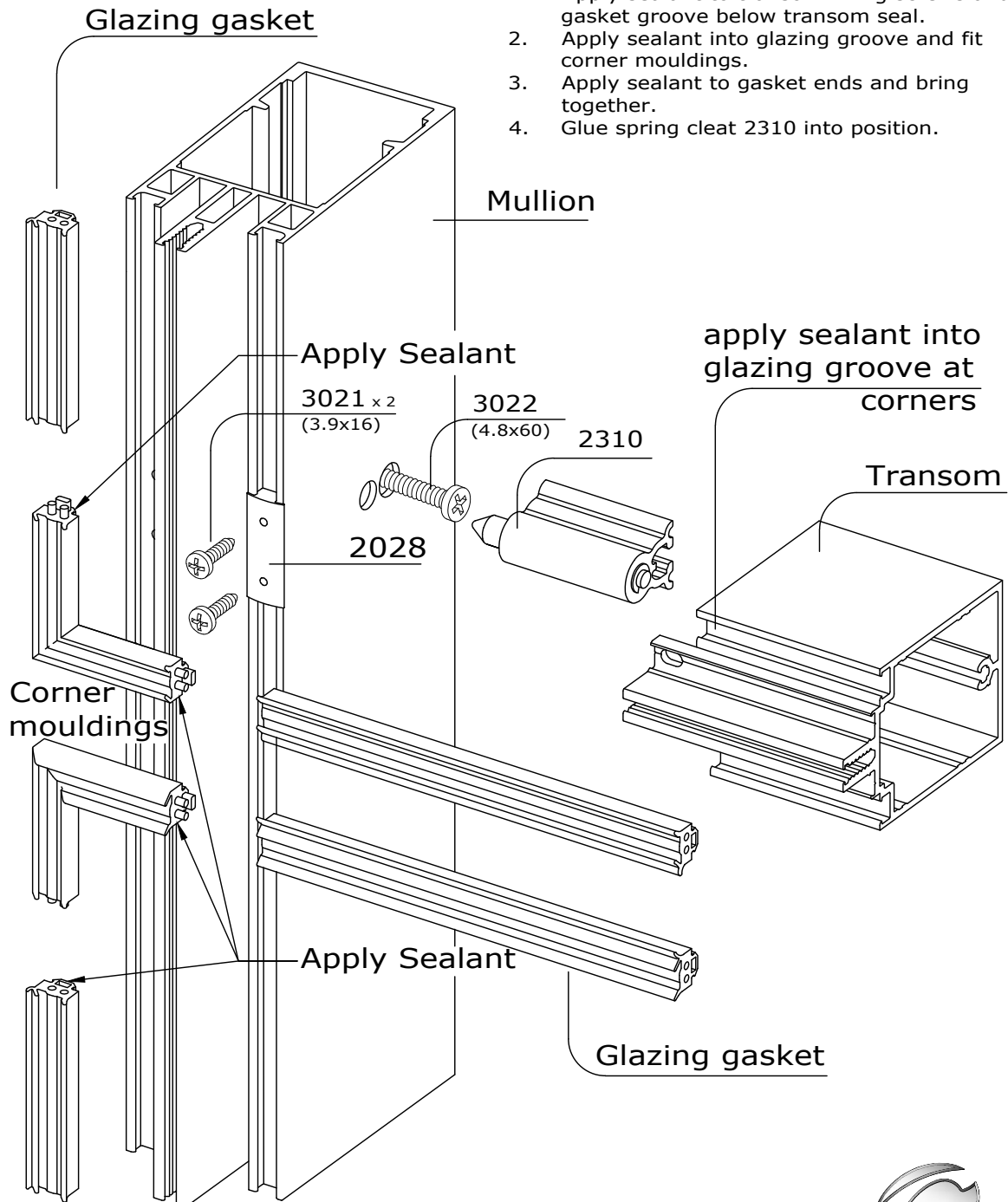


(with spring loaded transom cleat)

Notes:

1. Apply sealant to transom fixing screws and gasket groove below transom seal.
2. Apply sealant into glazing groove and fit corner mouldings.
3. Apply sealant to gasket ends and bring together.
4. Glue spring cleat 2310 into position.

7.29



Copyright and ownership of this drawing is vested in EFT, Euro Facade Systems Ltd, whose prior written consent is required for its use, reproduction or for publication to any third party. All other rights reserved.

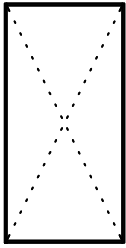
Changes reserved
Sous reserve de modifications
Änderungen vorbehalten

Issue: 05
Date: 10-16

Installation

7

Comar 6EFT



Mullion - Transom connection (Option 3)

(for making ladder units)

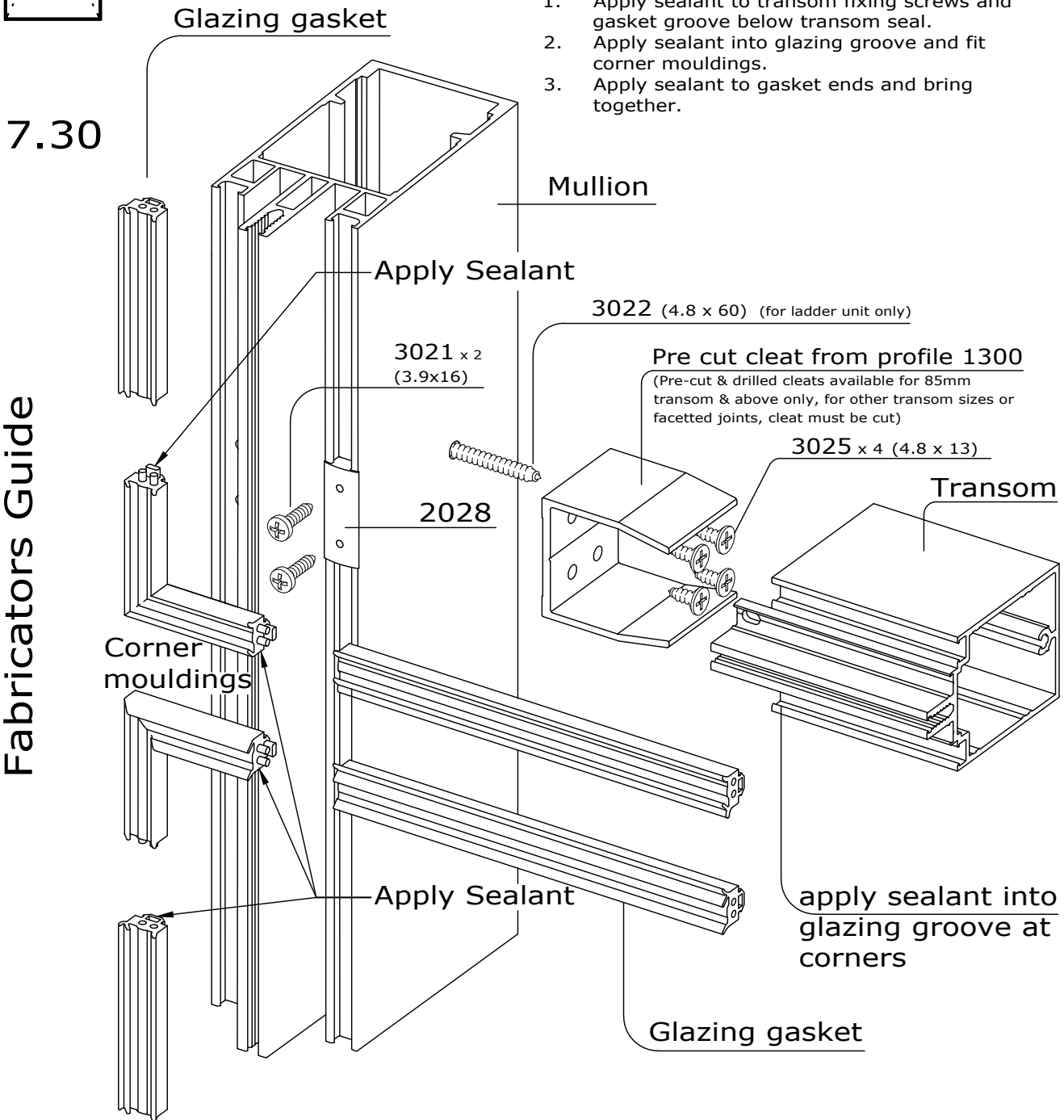
(for transoms installed between mullions or ladders)

Notes:

1. Apply sealant to transom fixing screws and gasket groove below transom seal.
2. Apply sealant into glazing groove and fit corner mouldings.
3. Apply sealant to gasket ends and bring together.

Copyright and ownership of this drawing is vested in EFT, Euro Facade Systems Ltd, whose prior written consent is required for its use, reproduction or for publication to any third party. All other rights reserved. Subject to modifications.

Fabricators Guide



comar
ARCHITECTURAL ALUMINIUM SYSTEMS

Changes reserved
Sous reserve de modifications
Änderungen vorbehalten

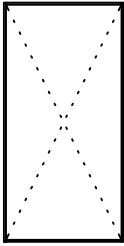
Issue: 05
Date : 10-16

Installation

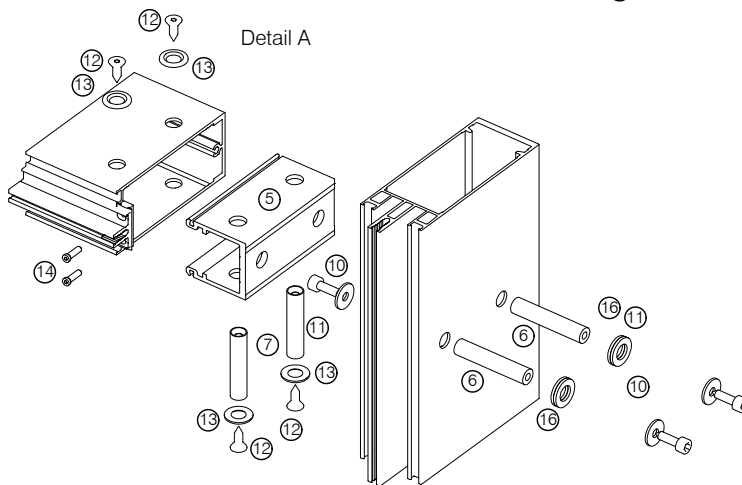
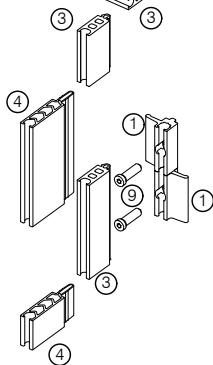
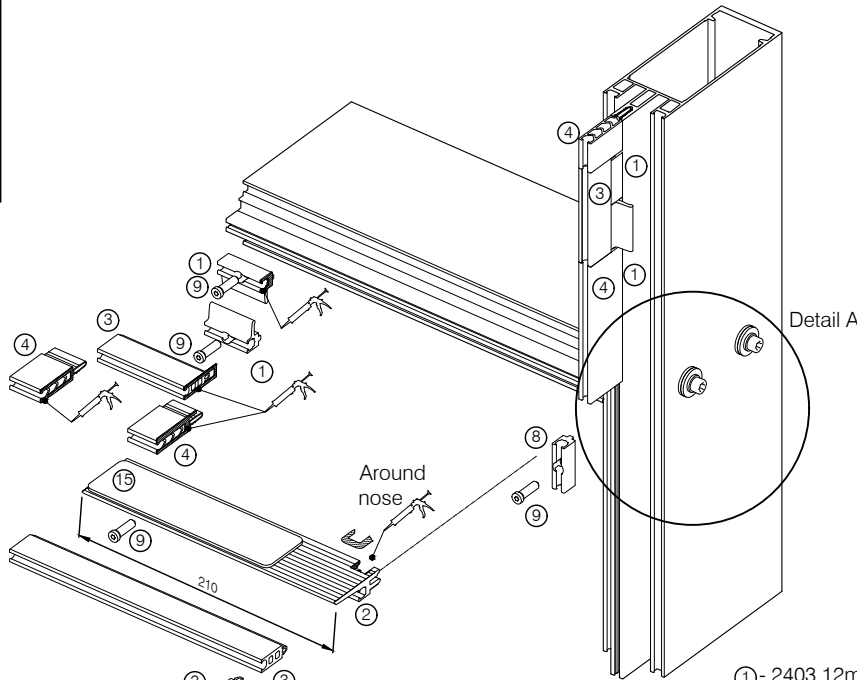
7

Comar 6EFT

Heavy glass support Connection (Option 5)

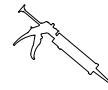


7.32



- ①- 2403 12mm double glazing clamp
- ②- 140x series 12mm glass setting block
- ③- 2155 22mm extension gasket
- ④- 2203 34mm thermal break
- ⑤- 1305 transom cleat
- ⑥- 1891 11x3 59.5mm aluminium tube
- ⑦- 1890 11x3 50mm aluminium tube
- ⑧- 2409 setting block support
- ⑨- 3029 5.5x23mm special screw
- ⑩- 3004 5.5x19mm socketed screw
- ⑪- 3095 M6 DIN9021SS washer
- ⑫- 3017 5.5x16 countersink screw
- ⑬- 3094 SS countersink washer
- ⑭- 3021 3.9x16 special screw
- ⑮- 150mm wide glass shims
- ⑯- 3042 M12 SS washer

Copyright and ownership of this drawing is vested in EFT, Euro Facade Systems Ltd, whose prior written consent is required for its use, reproduction or for publication to any third party. All other rights reserved. Subject to modifications.



APPLY SEALANT TO ALL JOINTS

Fabricators Guide



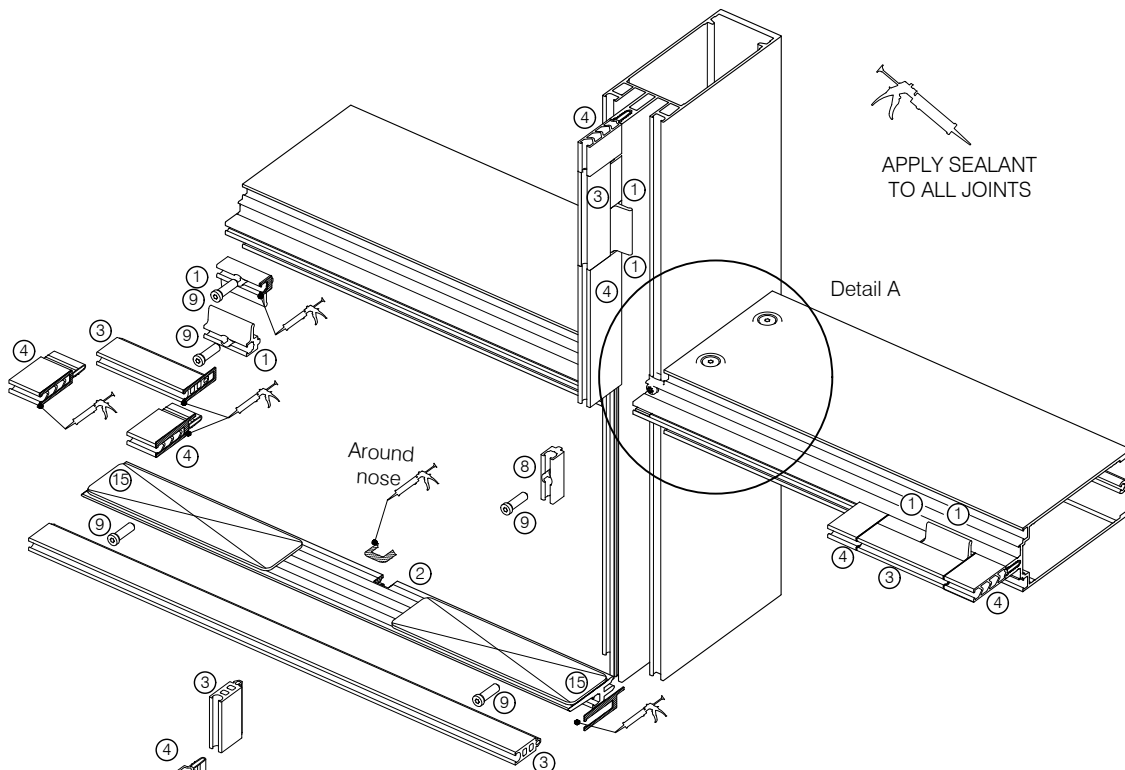
comar
ARCHITECTURAL ALUMINIUM SYSTEMS

Changes reserved
Sous reserve de modifications
Änderungen vorbehalten

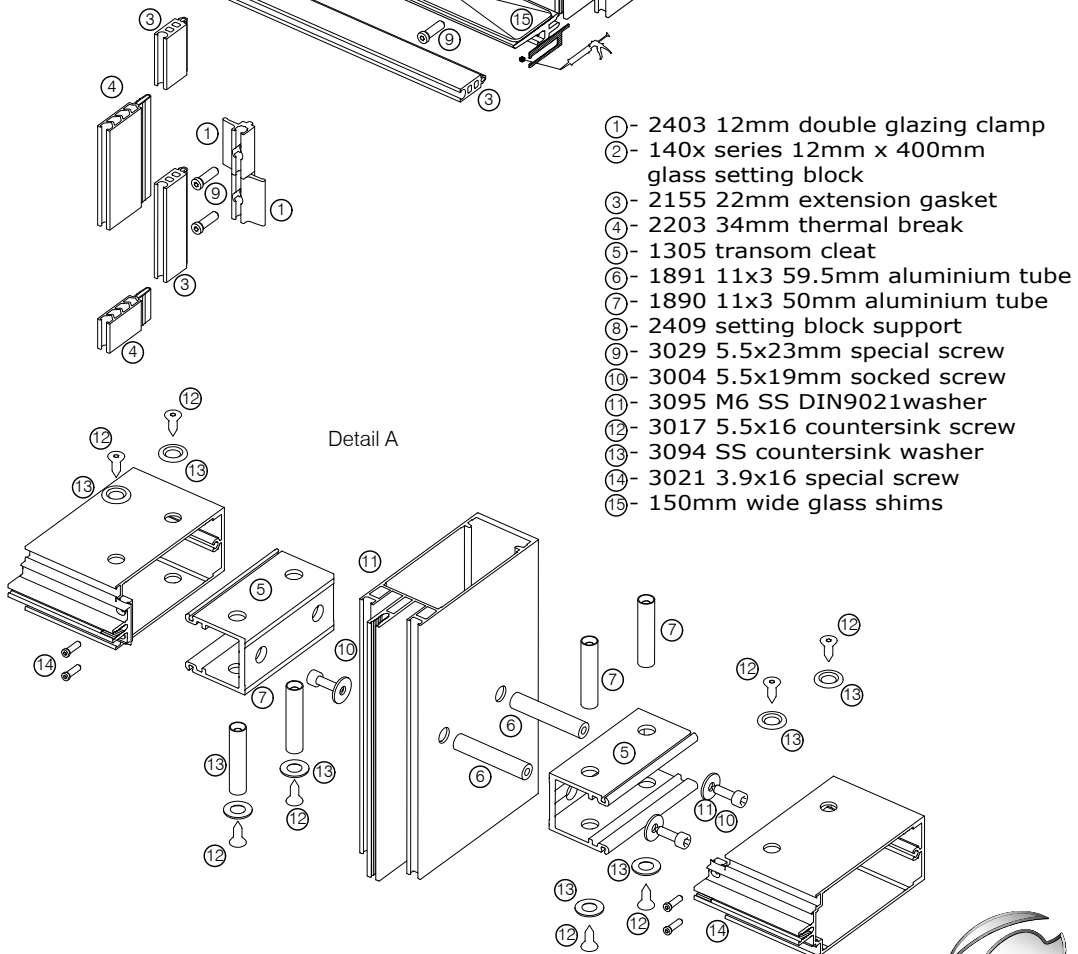
Issue: 05
Date : 10-16

Heavy glass support Connection (Option 5)

Copyright and ownership of this drawing is vested in EFT, Euro Facade Systems Ltd, whose prior written consent is required for its use, reproduction or for publication to any third party. All other rights reserved. Subject to modifications.



7.33



- ①- 2403 12mm double glazing clamp
- ②- 140x series 12mm x 400mm glass setting block
- ③- 2155 22mm extension gasket
- ④- 2203 34mm thermal break
- ⑤- 1305 transom cleat
- ⑥- 1891 11x3 59.5mm aluminium tube
- ⑦- 1890 11x3 50mm aluminium tube
- ⑧- 2409 setting block support
- ⑨- 3029 5.5x23mm special screw
- ⑩- 3004 5.5x19mm socked screw
- ⑪- 3095 M6 SS DIN9021 washer
- ⑫- 3017 5.5x16 countersink screw
- ⑬- 3094 SS countersink washer
- ⑭- 3021 3.9x16 special screw
- ⑮- 150mm wide glass shims

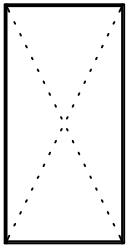
Changes reserved
Sous reserve de modifications
Änderungen vorbehalten

Issue: 05
Date: 10-16

Installation

7

Comar 6EFT

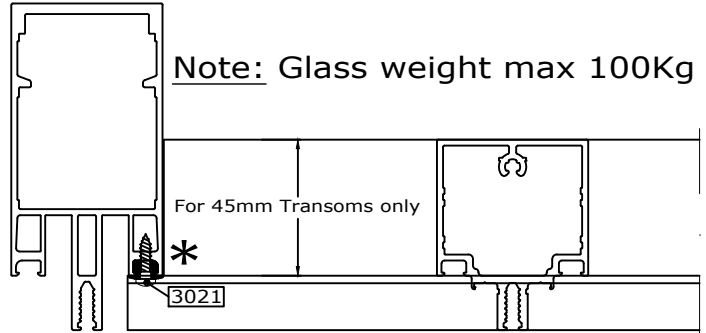


7.34

Mullion-transom Connection options

Option 1

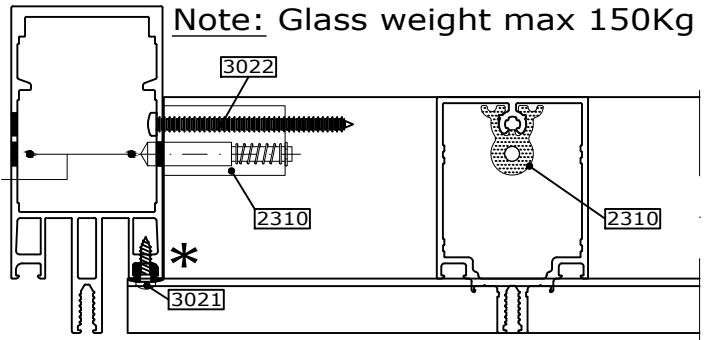
Screws EFT-3021



Ladders / units

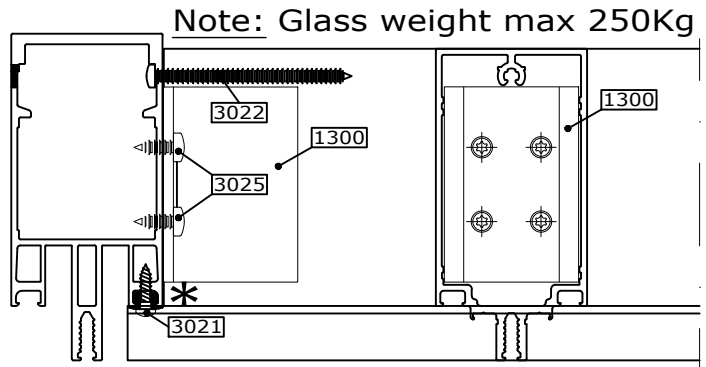
Option 2

Spring loaded cleat EFT-2310
or
Screw EFT-3022
Tooling: Com6-EFT-Jig1



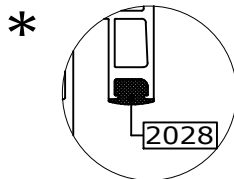
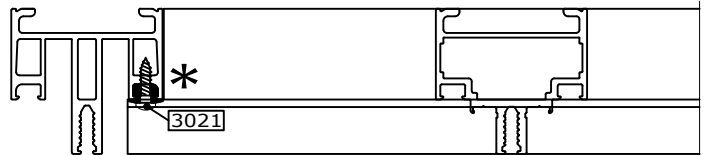
Option 3 or 3a

Precut & drill cleat profile EFT-1300 to length



Option 4

For direct fix to steel details refer to drawings



Transom seal EFT-2028 to be installed at each mullion-transom connection.

All screws to be sealed.

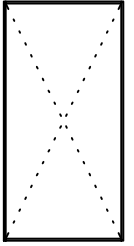
Copyright and ownership of this drawing is vested in EFT, Euro Facade Systems Ltd, whose prior written consent is required for its use, reproduction or for publication to any third party. All other rights reserved. Subject to modifications.

Copyright and ownership of this drawing is vested in EFT, Euro Facade Systems Ltd, whose prior written consent is required for its use, reproduction or for publication to any third party. All other rights reserved. Subject to modifications.

Mullion - Transom Connection

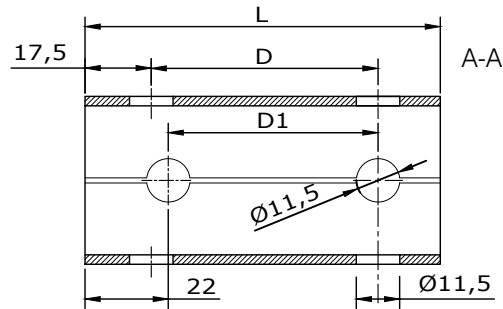
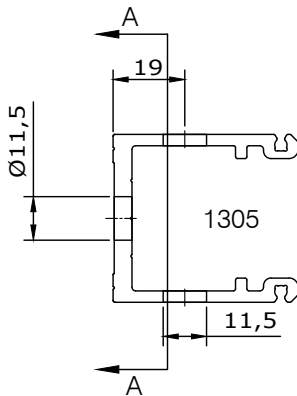
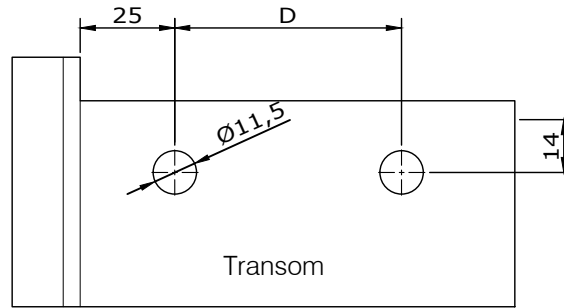
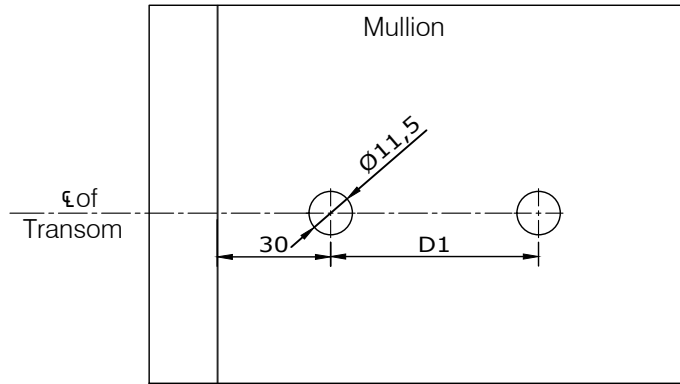
7

Installation Comar 6EFT



7.35

Option 5
Glass weight max. 450 kg



Note:
Cut cleats are for project only and are not held in stock. Cut cleats will be subject to a longer lead time.

Cleat Reference	Transom	L (mm)	D (mm)	D1 (mm)
2565	1166 - 125mm	104	75	70
2566	1152 - 135mm	114	75	70
2567	1145, 1154 & 150mm	129	100	95
2568	1147 - 175mm	154	125	120
2569	1156 - 180mm	159	130	125
2570	1157 - 195mm	174	145	140
2571	1148 - 200mm	179	145	140
2572	1158 - 210mm	189	161	156

Changes reserved
Sous reserve de modifications
Änderungen vorbehalten

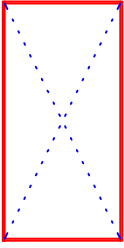
Issue: 05
Date : 10-16

Fabrication

7

Comar 6EFT

Future Additions



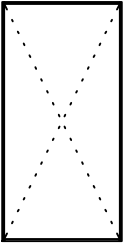
7.36

Fabricators Guide

FUTURE
ADDITION

Copyright and ownership of this drawing is vested in EFT,
Euro Facade Systems Ltd, whose prior written consent is required
for its use, reproduction or for publication to any third party.
All other rights reserved. Subject to modifications.

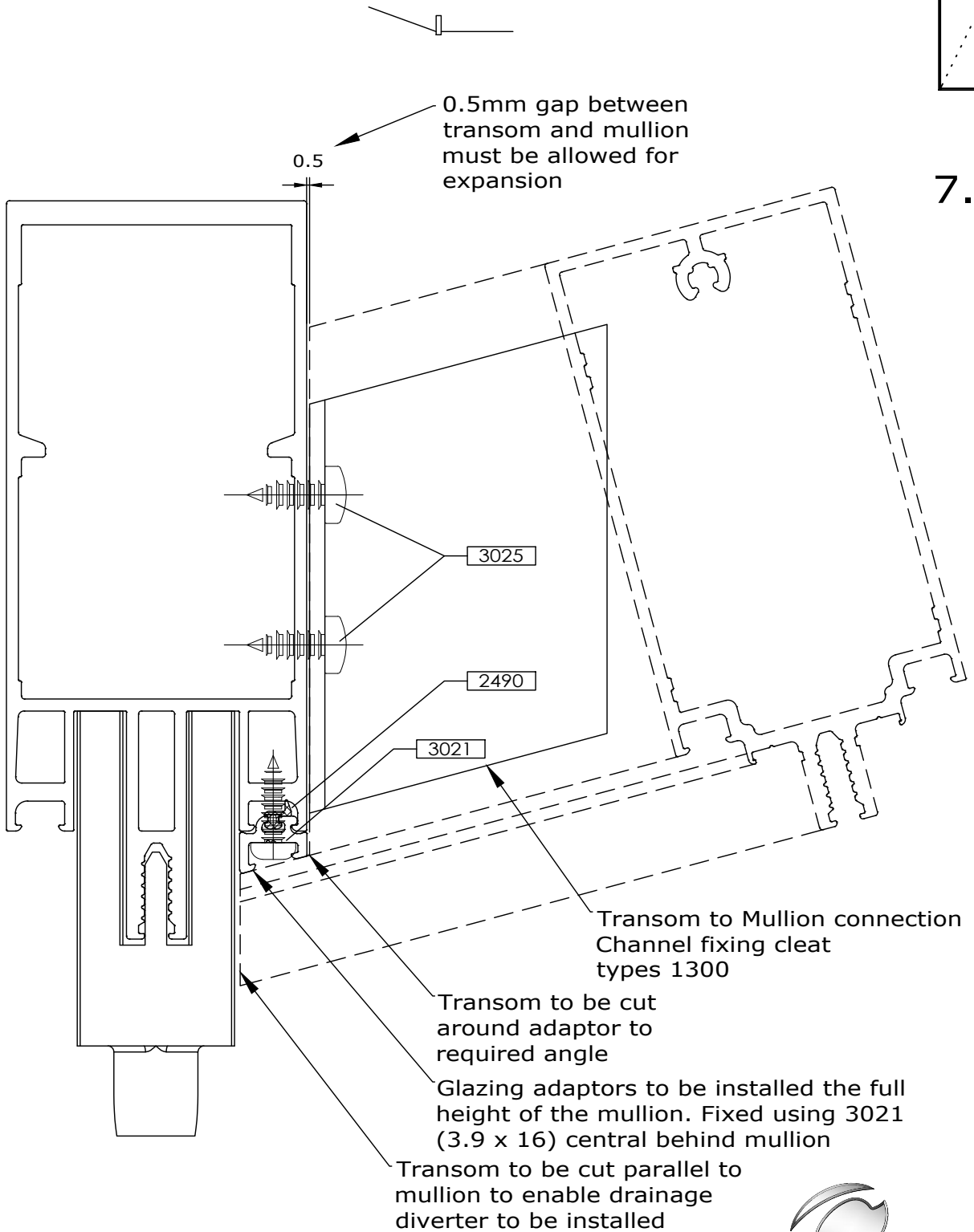
Facetted transom preparation
External Corner



7.37

Fabricators Guide

Copyright and ownership of this drawing is vested in EFT, Euro Facade Systems Ltd, whose prior written consent is required for its use, reproduction or for publication to any third party. All other rights reserved.



Changes reserved
Sous reserve de modifications
Änderungen vorbehalten

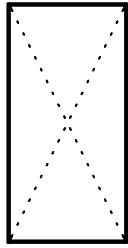
Issue: 05
Date: 10-16

Installation

7

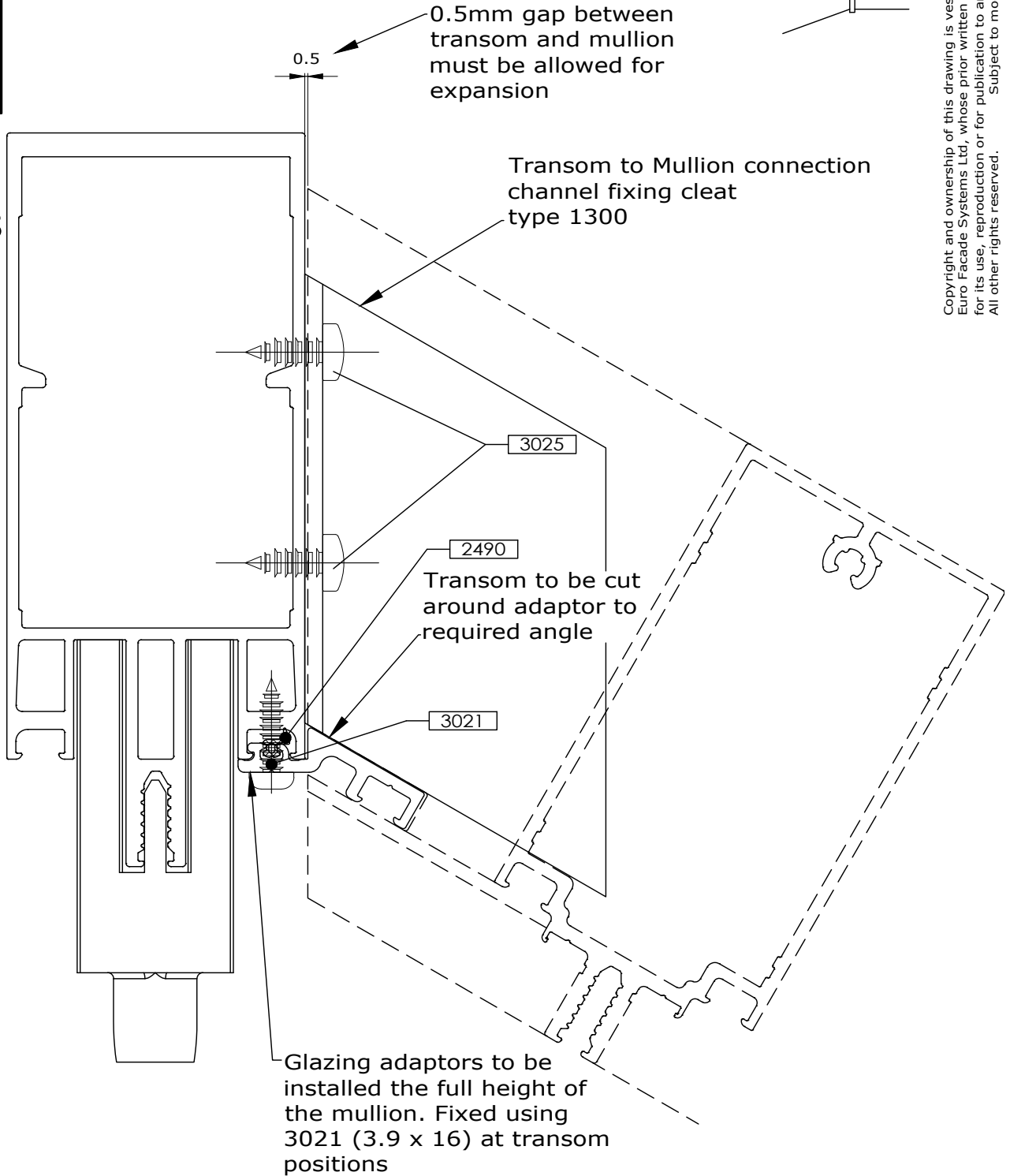
Comar 6EFT

Facetted transom preparation Internal Corner



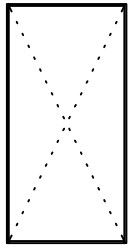
7.38

Fabricators Guide



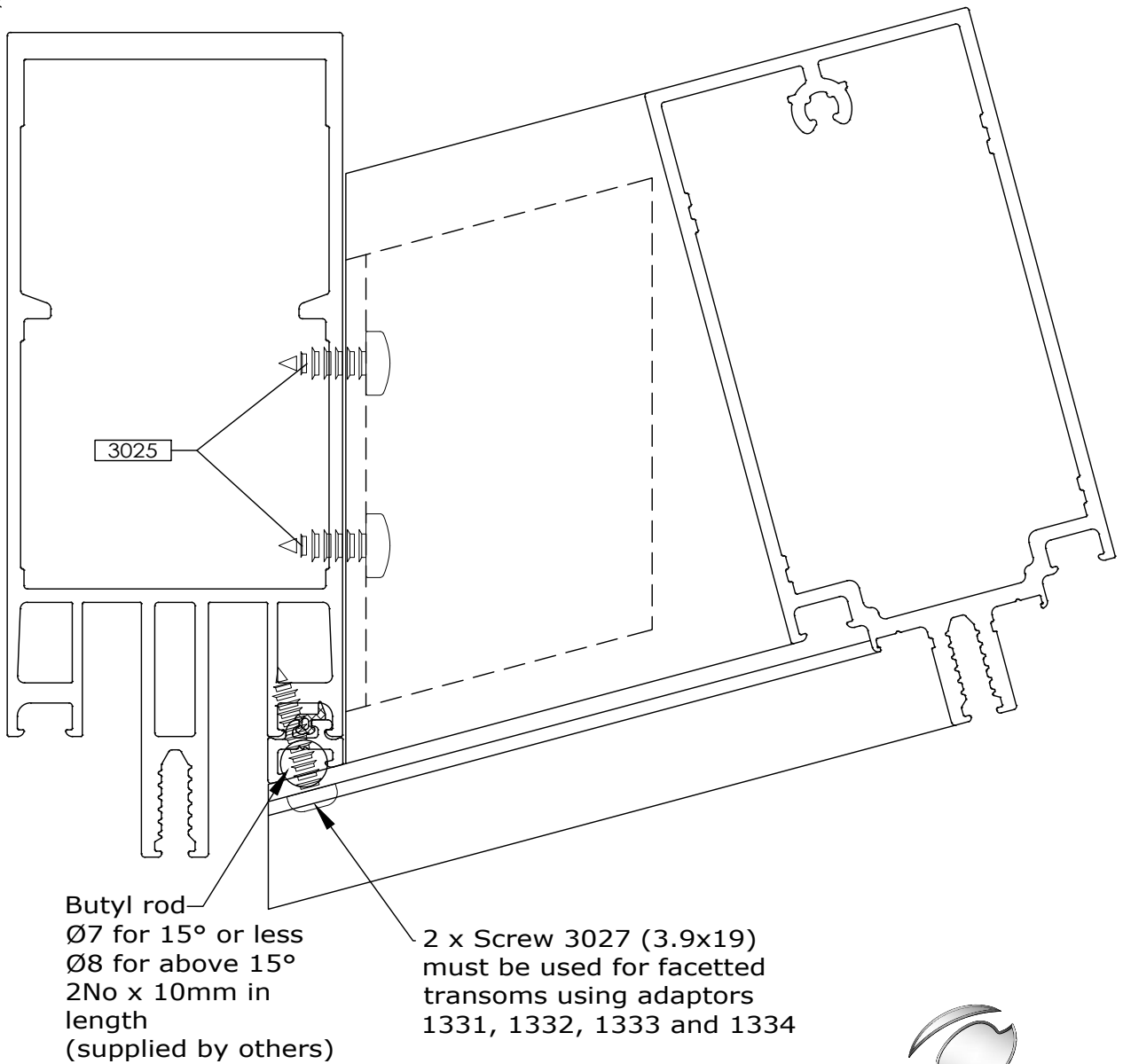
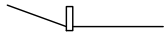
Copyright and ownership of this drawing is vested in EFT, Euro Facade Systems Ltd, whose prior written consent is required for its use, reproduction or for publication to any third party. All other rights reserved. Subject to modifications.

Fixing facatted transoms
External Corner



7.39

Copyright and ownership of this drawing is vested in EFT, Euro Facade Systems Ltd, whose prior written consent is required for its use, reproduction or for publication to any third party. All other rights reserved.



Butyl rod
Ø7 for 15° or less
Ø8 for above 15°
2No x 10mm in length
(supplied by others)

2 x Screw 3027 (3.9x19)
must be used for facatted
transoms using adaptors
1331, 1332, 1333 and 1334

Fabricators Guide

Changes reserved
Sous reserve de modifications
Änderungen vorbehalten

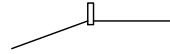
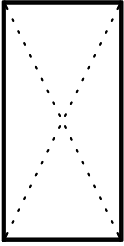
Issue: 05
Date: 10-16

Installation

7

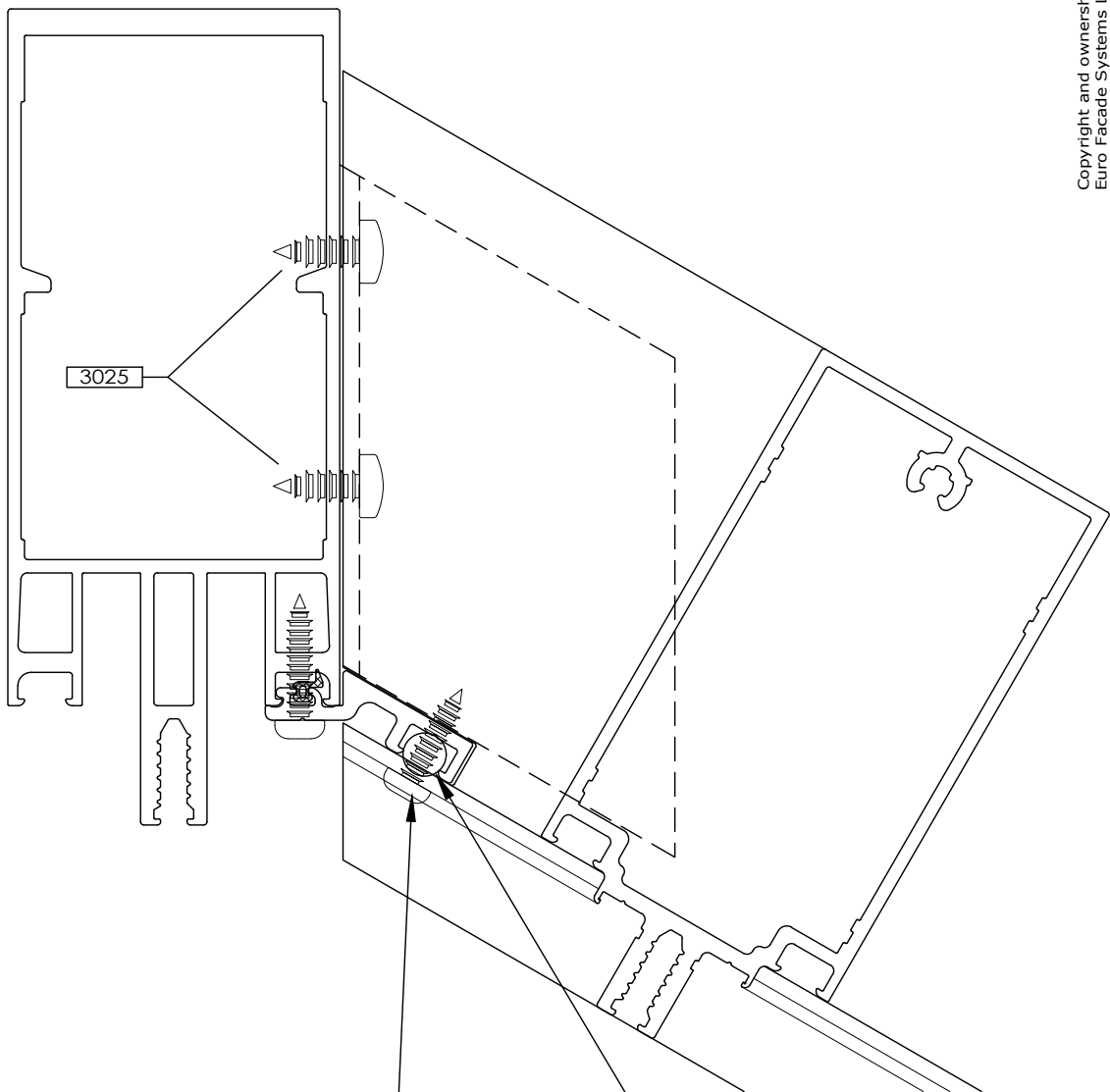
Comar 6EFT

Fixing faceted transoms Internal Corner



7.40

Fabricators Guide



Transoms to be fixed to adaptor with screws 3021 (3.9x16)

For exact angle adaptors ie 7.5°, 15° etc, use transom pad 2028. For all other angles use butyl rod, Ø8mm, 27mm long, supplied by others.

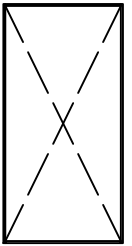
Copyright and ownership of this drawing is vested in EFT, Euro Facade Systems Ltd, whose prior written consent is required for its use, reproduction or for publication to any third party. All other rights reserved. Subject to modifications.

Copyright and ownership of this drawing is vested in EFT, Euro Facade Systems Ltd, whose prior written consent is required for its use, reproduction or for publication to any third party. All other rights reserved.

Facatted transom Cleat Preparation External Corner

7

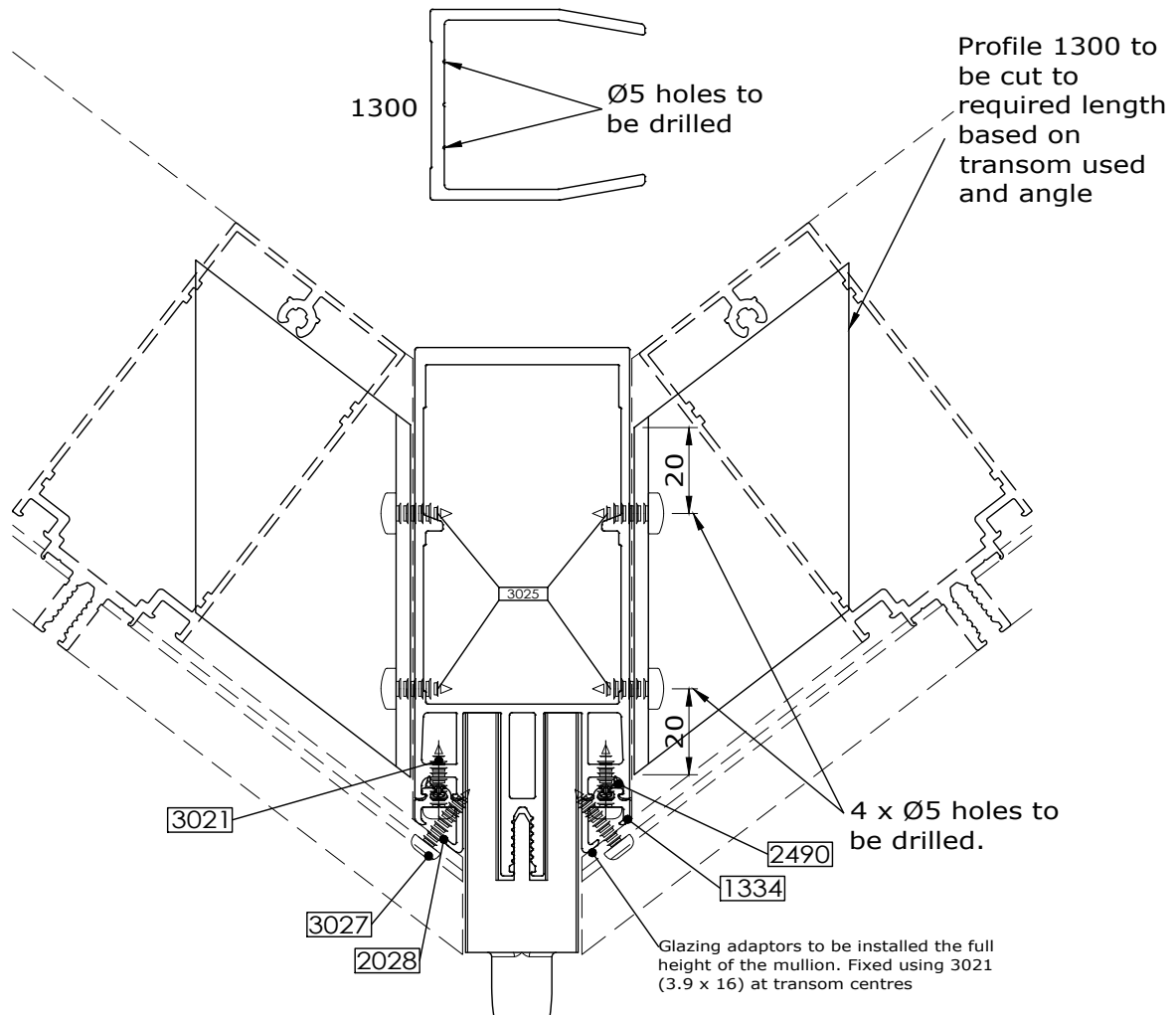
Installation
Comar 6EFT



Any facatted transom must be held in place by cleats made from profile 1300 (or 1305 if specified)

Same cleat preparation can be used for outward (reflex) angles.

7.41



Fabricators Guide

Changes reserved
Sous reserve de modifications
Änderungen vorbehalten

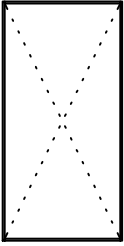
Issue: 05
Date: 10-16

Installation

7

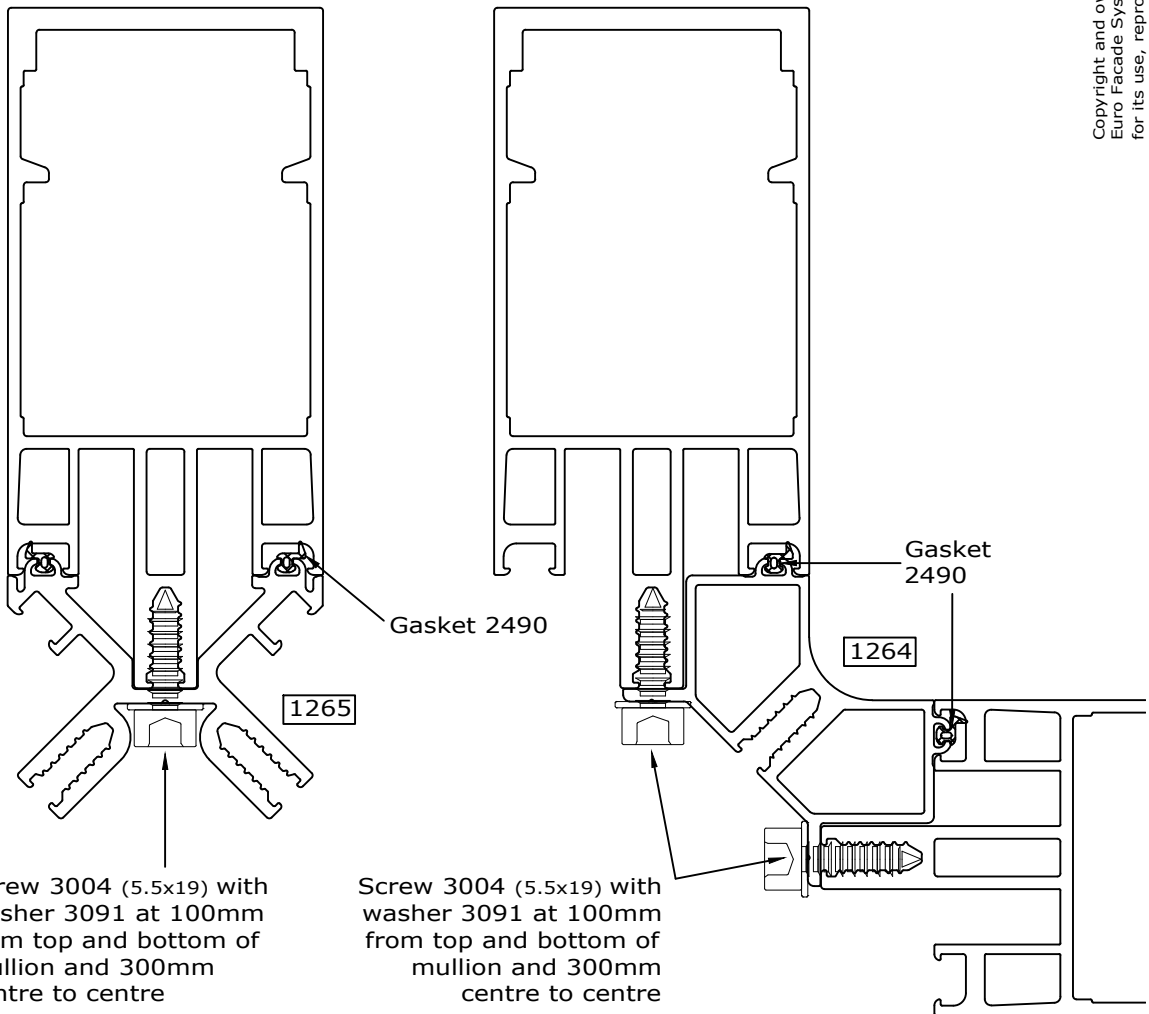
Comar 6EFT

Fixing adaptors 1264 & 1265



7.42

Fabricators Guide



Copyright and ownership of this drawing is vested in EFT, Euro Facade Systems Ltd, whose prior written consent is required for its use, reproduction or for publication to any third party. All other rights reserved. Subject to modifications.

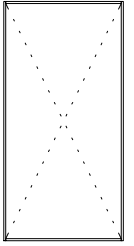


comar
ARCHITECTURAL ALUMINIUM SYSTEMS

Changes reserved
Sous reserve de modifications
Änderungen vorbehalten

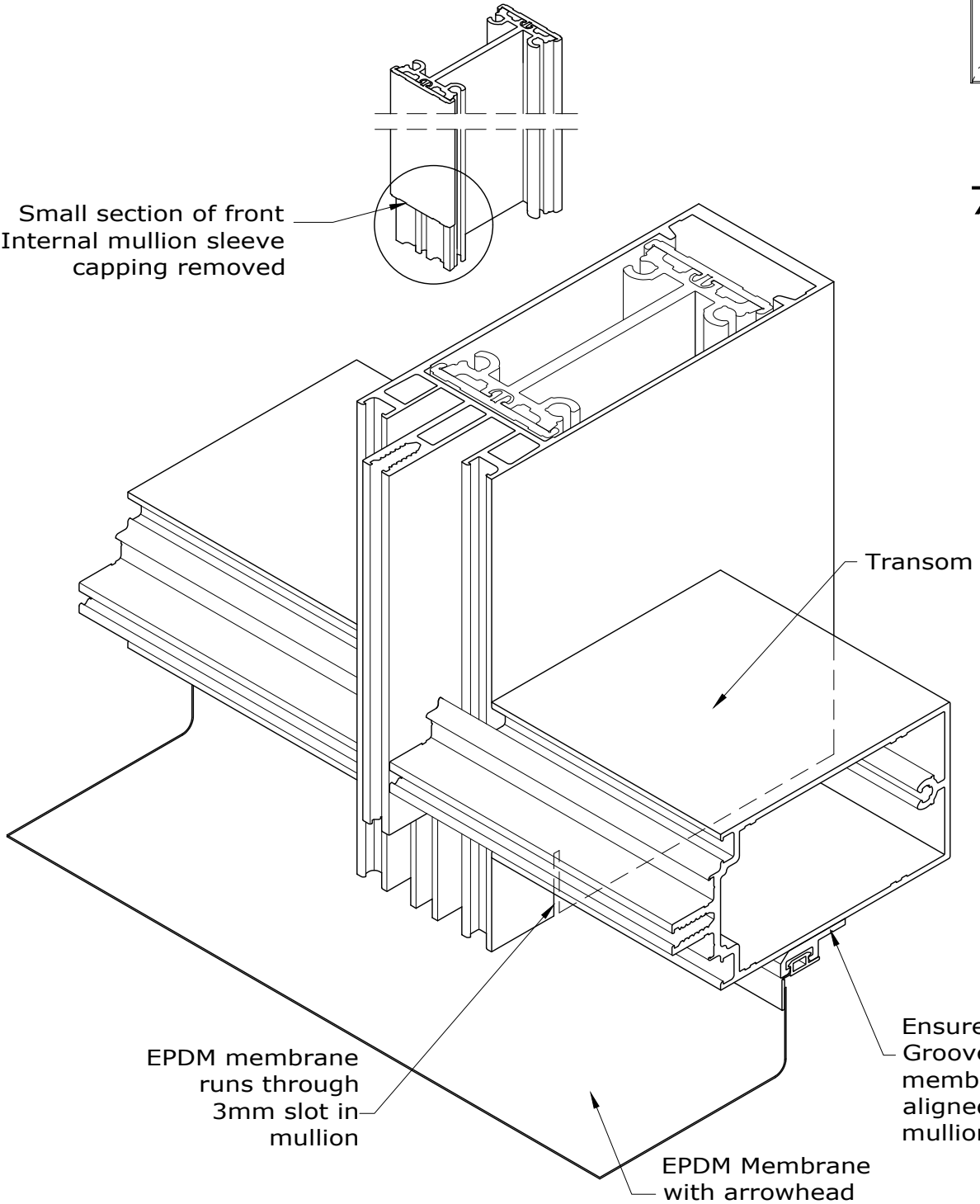
Issue: 05
Date: 10-16

EPDM membrane Transom Sill, Head & Mullion preparation



7.43

Small section of front
Internal mullion sleeve
capping removed

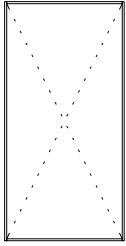


Installation

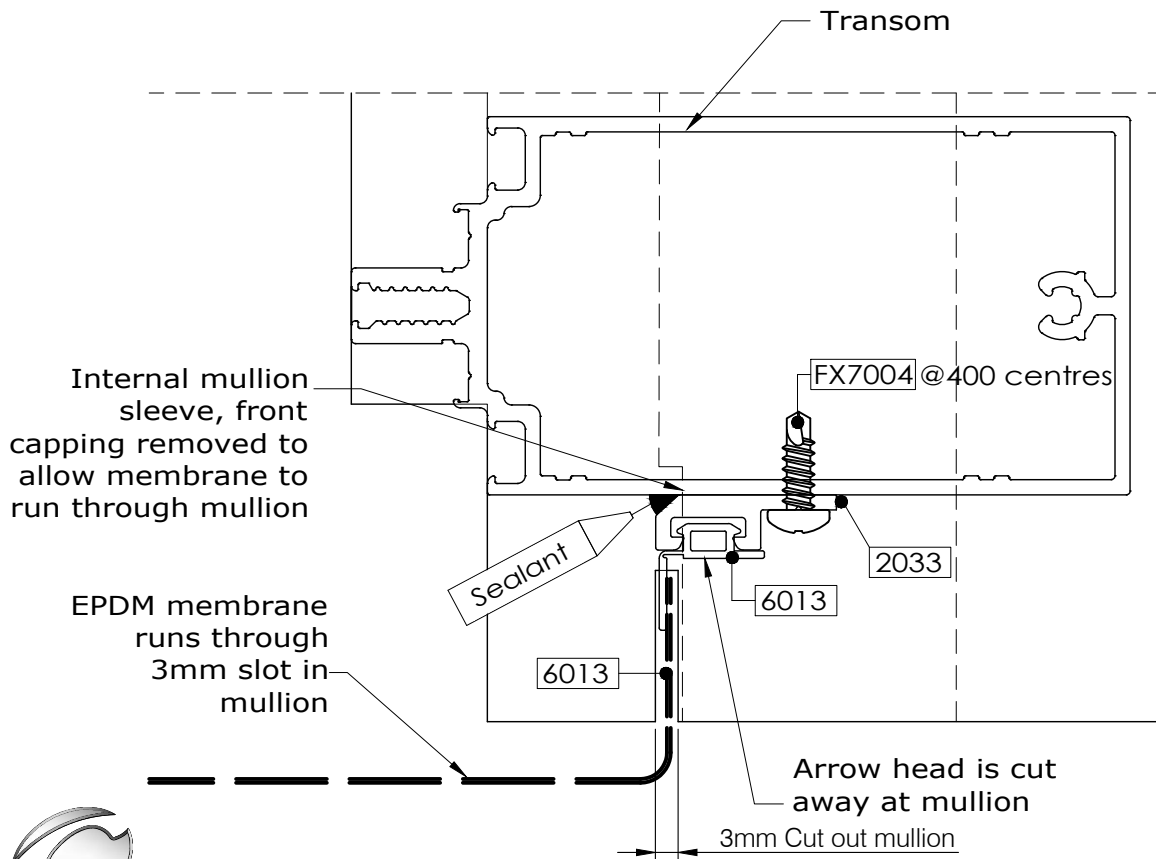
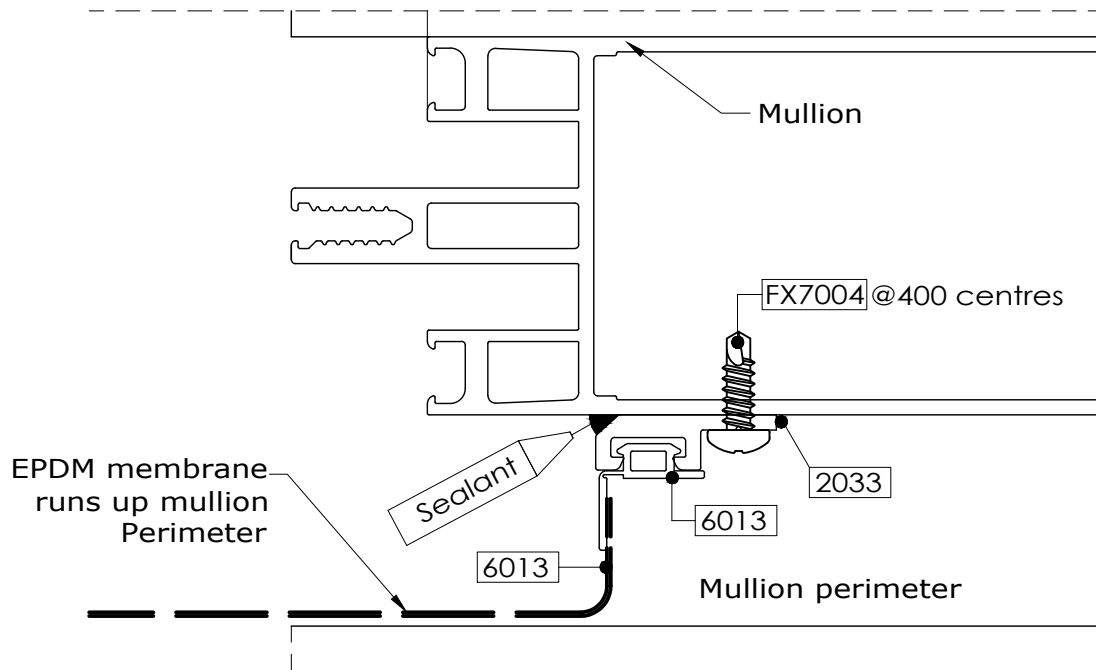
7

Comar 6EFT

EPDM membrane Curtain wall perimeter Preparation



7.44



Fabricators Guide



comar
ARCHITECTURAL ALUMINIUM SYSTEMS

Copyright and ownership of this drawing is vested in EFT, Euro Facade Systems Ltd, whose prior written consent is required for its use, reproduction or for publication to any third party. All other rights reserved. Subject to modifications.

Changes reserved
Sous reserve de modifications
Änderungen vorbehalten

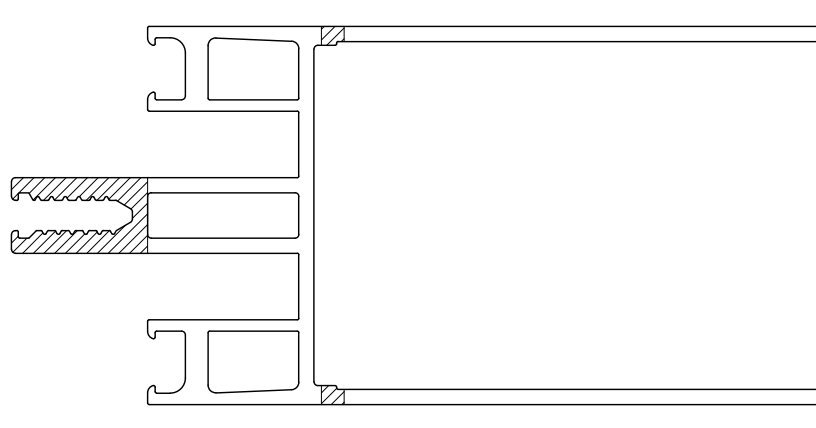
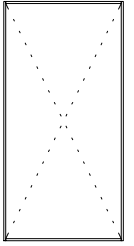
Issue: 05
Date: 10-16

Copyright and ownership of this drawing is vested in EFT, Euro Facade Systems Ltd, whose prior written consent is required for its use, reproduction or for publication to any third party. All other rights reserved. Subject to modifications.

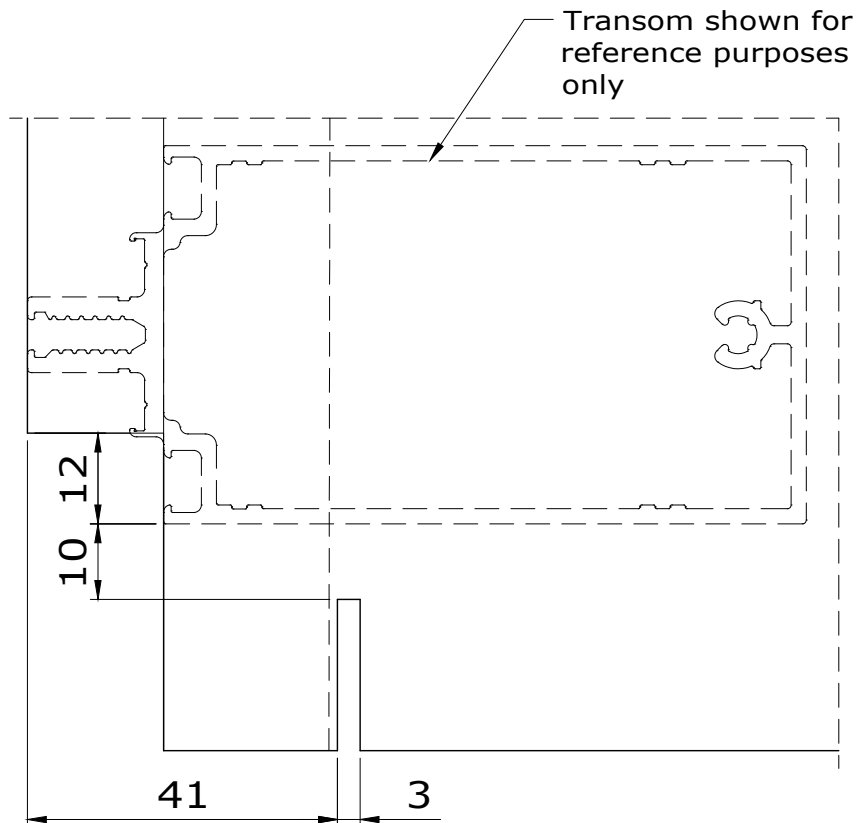
7

Installation
Comar 6EFT

EPDM membrane
Mullion preparation
Slot cutting details



7.45



Fabricators Guide

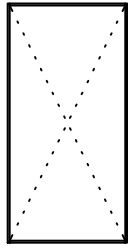
Changes reserved
Sous reserve de modifications
Änderungen vorbehalten

Issue: 05
Date: 10-16

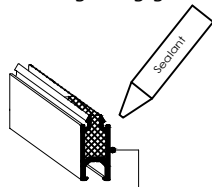
Installation

7

Comar 6EFT



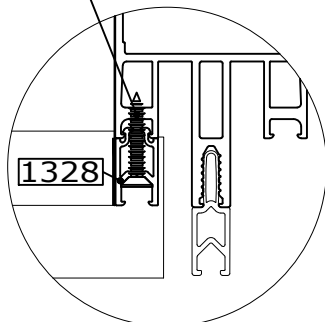
Apply Arbomeric MP20 sealant into glazing groove



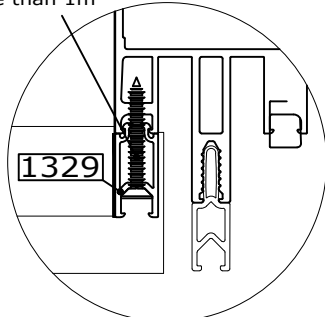
Install gasket 2490 wherever glazing adaptor is to be placed

7.46

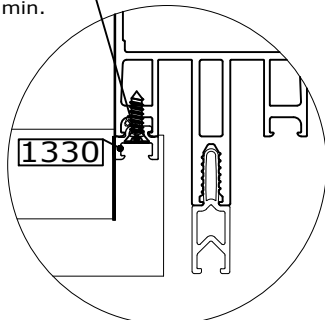
Factory fitted glazing adaptor 1328 fixed with screw 3024 (4.2 mm x 25 mm) Max pitch of 1m. 2 off min.



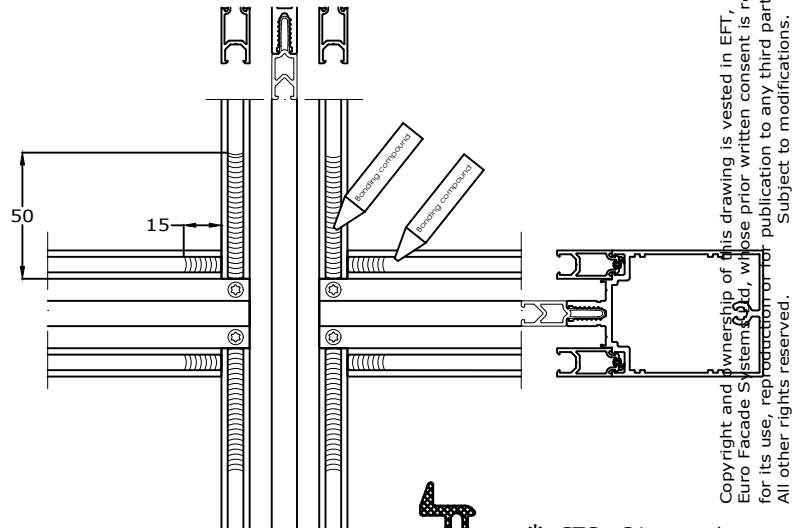
Factory fitted glazing adaptor 1329 fixed with screw 3026 (4.2 mm x 32 mm) 2 No min. Centres not more than 1m



Factory fitted glazing adaptor 1330 fixed with screw 3028 (3.5 mm x 13 mm) Max pitch of 1m. 2 off min.



Glazing adaptors



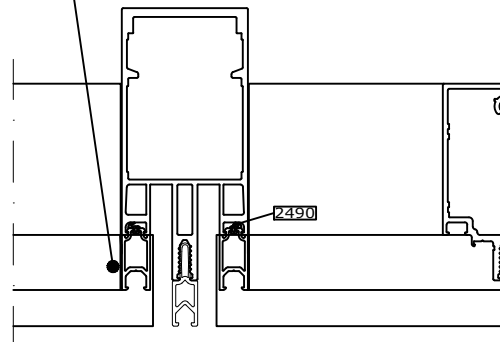
Inject vertical glazing adaptors at top with sealant and install adaptors



* CTC - 31 mm when the adaptor is bridging a mullion coupling

Seal horizontal glazing adaptor-faces with sealant

Install horizontal glazing adaptor

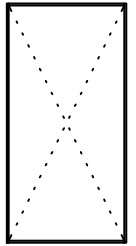


* C.T.C - 29
Vertical Adaptor
C.T.C

C.T.C - 51
Horizontal adaptor
C.T.C

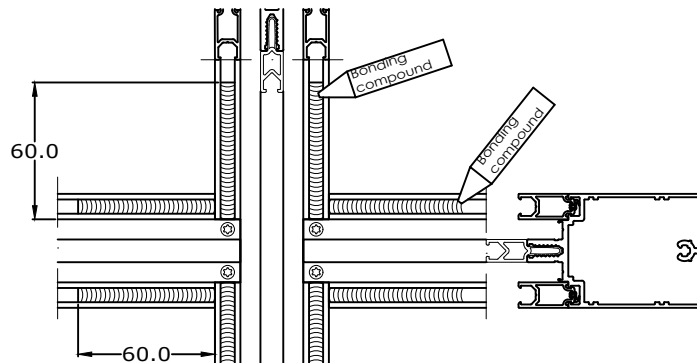
Copyright and ownership of this drawing is vested in EFT, Euro Facade System Ltd, whose prior written consent is required for its use, reproduction or publication to any third party. All other rights reserved.

Internal gaskets & corners

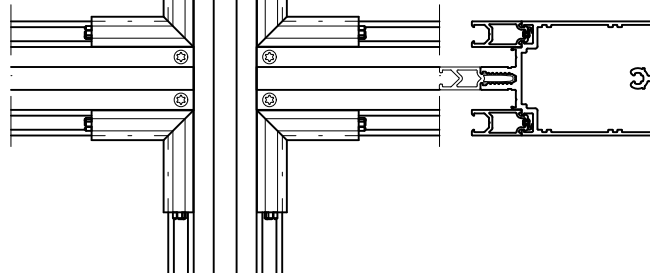


7.47

Apply bonding compound into glazing groove



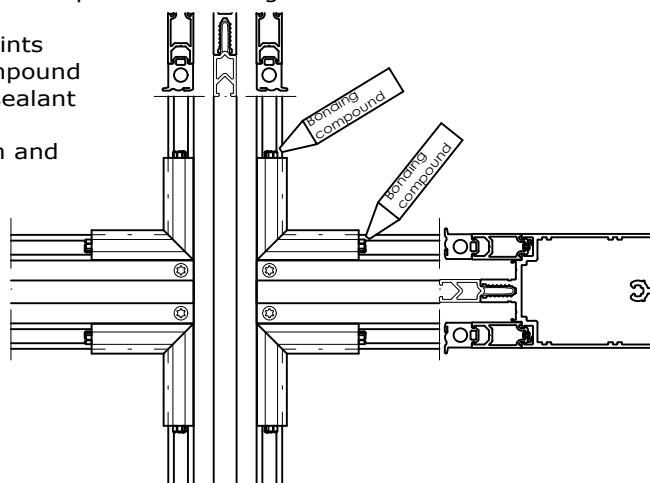
Install moulded gasket corners



Cut EPDM glazing gasket to required length between corner mouldings $\pm 5\%$ to ensure compression of the gaskets

Bond corner to gasket joints using EPDM bonding compound or a MS Polymer based sealant

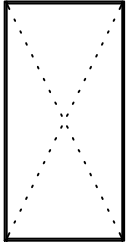
Slide gasket into position and clean off excess sealant



Installation

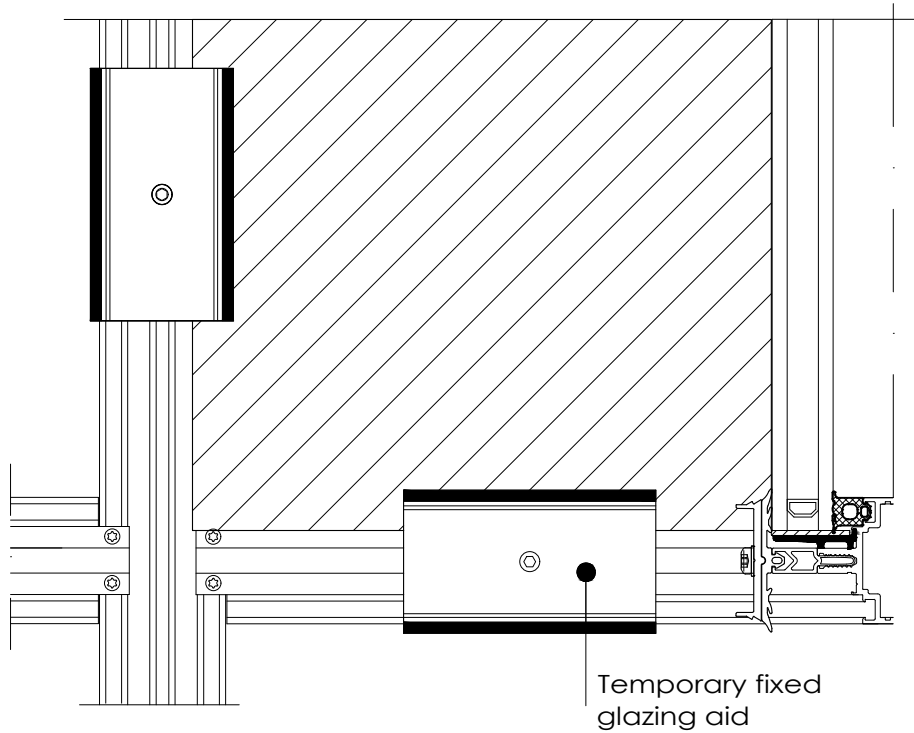
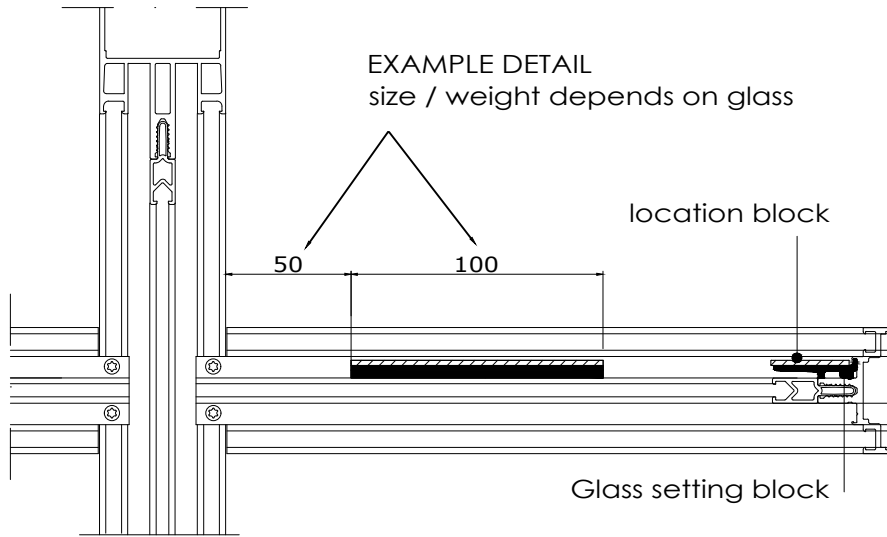
7

Comar 6EFT



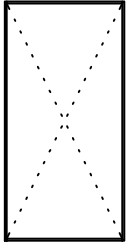
7.48

Location of glass setting blocks & temporary glazing aids



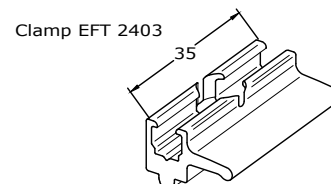
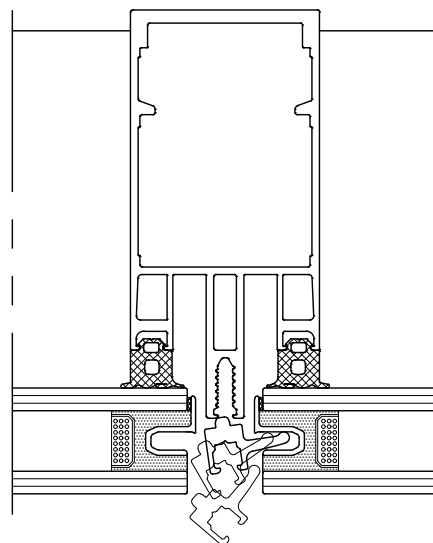
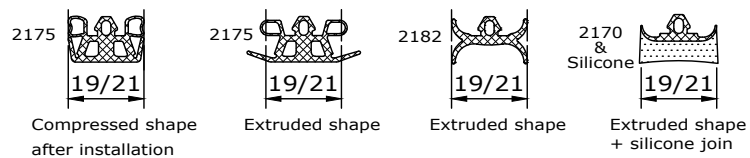
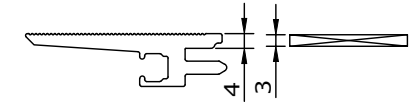
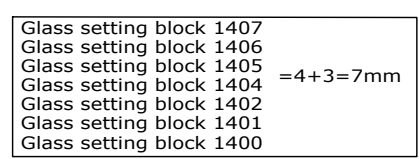
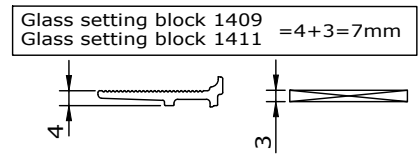
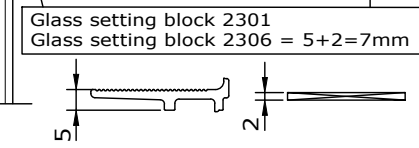
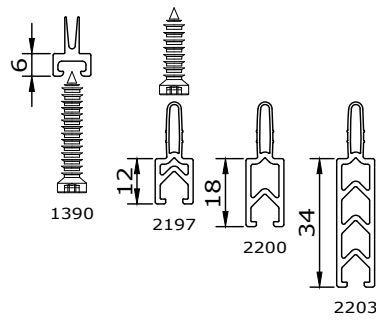
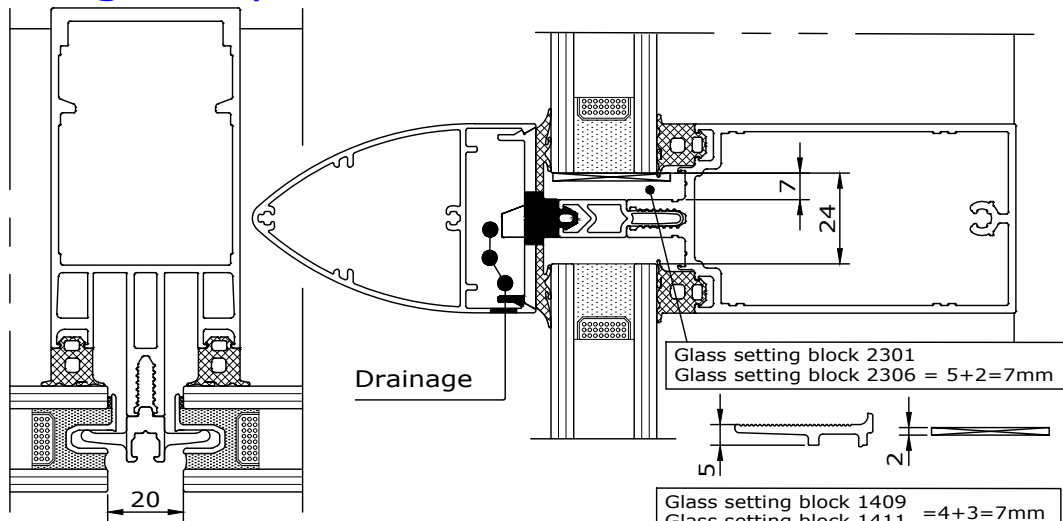
Copyright and ownership of this drawing is vested in EFT, Euro Facade Systems Ltd, whose prior written consent is required for its use, reproduction or for publication to any third party. All other rights reserved. Subject to modifications.

Fixing glazing insert and fixing clamp



7.49

Copyright and ownership of this drawing is vested in EFT, Euro Facade Systems Ltd, whose prior written consent is required for its use, reproduction or for publication to any third party. All other rights reserved. Subject to modifications.



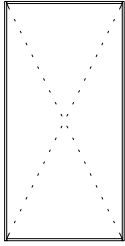
Changes reserved
 Sous reserve de modifications
 Änderungen vorbehalten

Issue: 05
 Date: 10-16

Installation

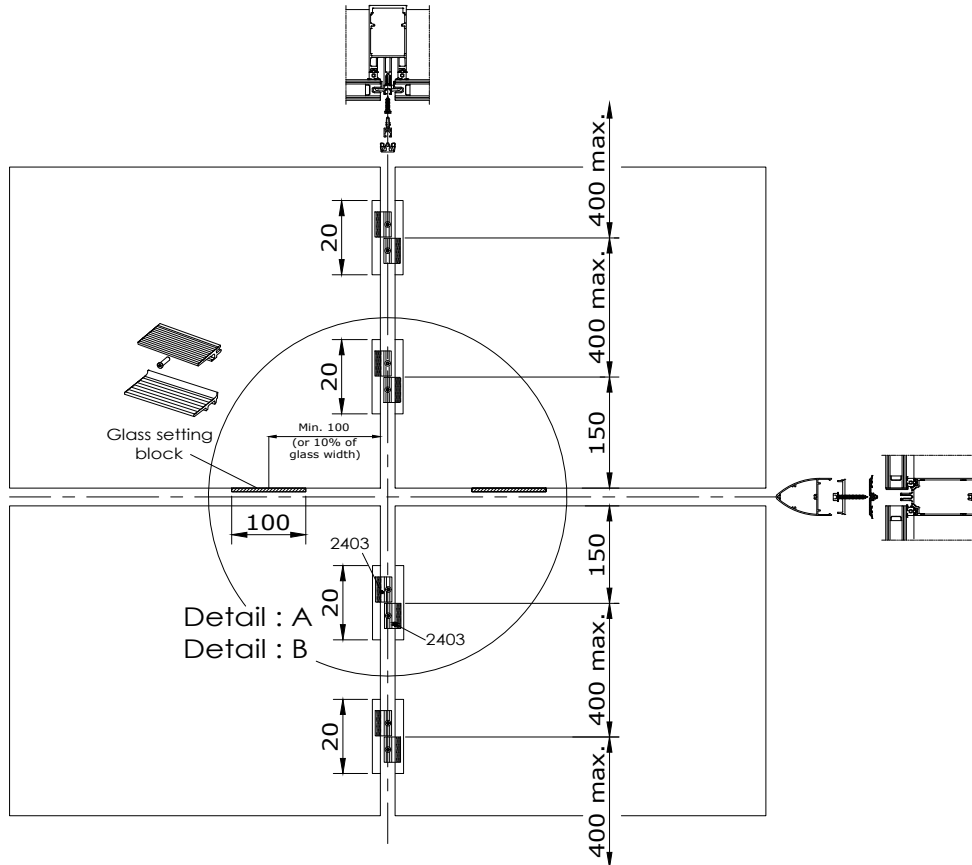
7

Comar 6EFT



7.50

Location of glazing inserts,
fixing clamps and
glass setting block



Location glazing insert and fixing clamps 2sided SGH (Two Sided Structural Glazed Horizontal cover cap)

1 Glazing inserts (EFT 2401, 2402, 2405, 2416, 2418, 2420)

Left & right edges of glass: Glazing inserts to be located 150mm edge of glass to center of glazing insert at either end. Inserts then spaced at 400mm max. center to center towards the center of the glass unit.

If the center of the glass unit is reached and there is more than a 400mm space between center of inserts, you may go up to a max. of 450mm C.T.C. between those inserts.

Left & right edges of glass: Dependant on wind load, building height and local situation, the glass manufacturer may approve that less inserts can be used. Transom C.T.C <700mm no clamps, C.T.C 700-1000mm 1 clamp, C.T.C 1000-1300mm 2 clamps, C.T.C 1300-1600mm 3 clamps etc.

2 Fixing clamp (EFT 2403)

To be fixed (with screw 5.5 x 23 - 3029 or 5.5x29- 3030)

3 Glass setting block (140x - series)

To be fixed (with screws 5.5 x 23 , 3029)

Location and spacing of glazing inserts & glass setting blocks to be approved by glass manufacturer.

Copyright and ownership of this drawing is vested in EFT,
Euro Facade Systems Ltd, whose prior written consent is required
for its use, reproduction or for publication to any third party.
All other rights reserved. Subject to modifications.



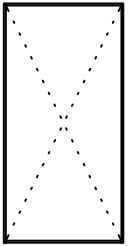
Copyright and ownership of this drawing is vested in EFT, Euro Facade Systems Ltd, whose prior written consent is required for its use, reproduction or for publication to any third party. All other rights reserved. Subject to modifications.

7

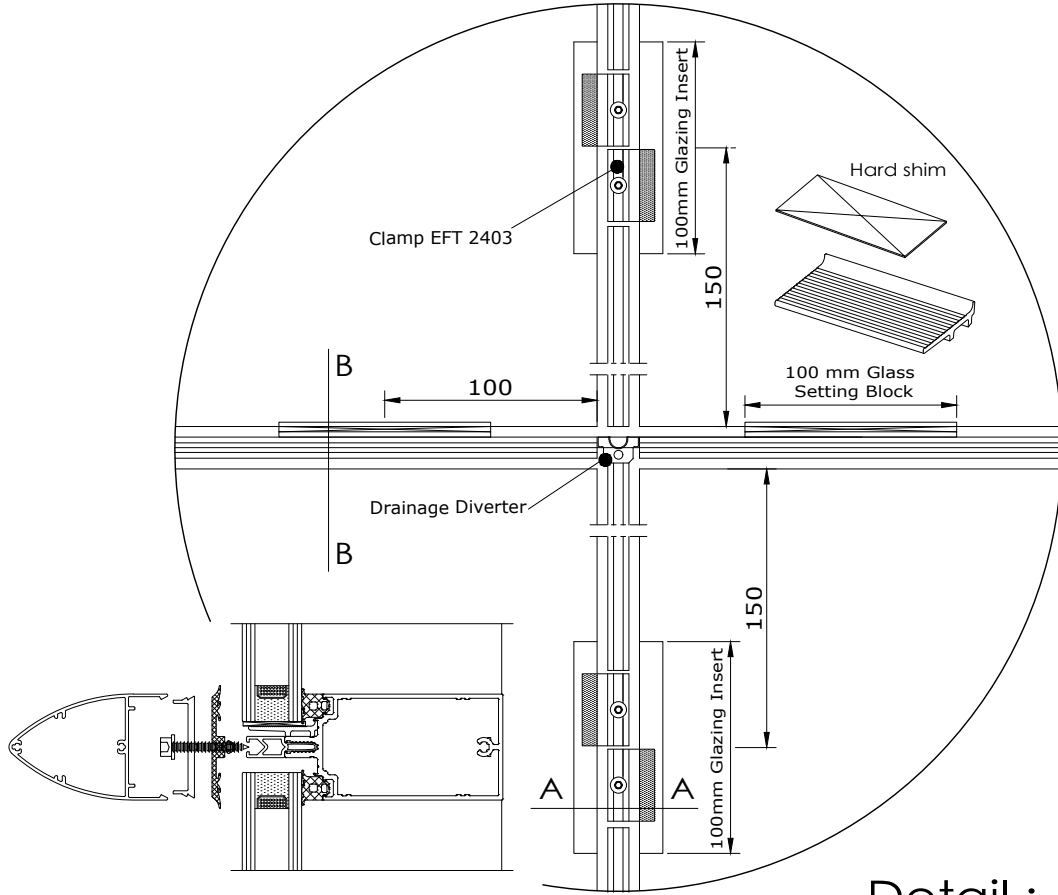
Installation

Comar 6EFT

Location of glazing inserts fixing damp and glass setting block

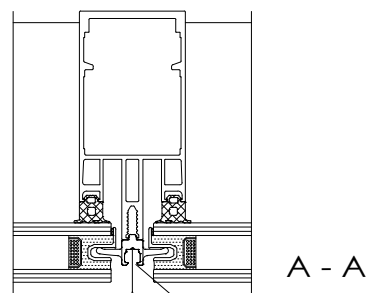


7.51



B - B

Detail : A



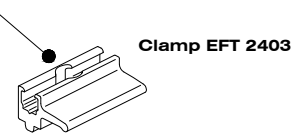
Screw 5.5 x 23 , 3029

Thermal break 12mm EFT 2197

(EPDM) Joint gasket 20 mm EFT 2175

(EPDM) Joint gasket 20 mm EFT 2182

Optional: Silicone Joint with (EPDM) gasket 20 mm EFT 2170 - use bond breaker tape at gasket / silicon joint



Clamp EFT 2403

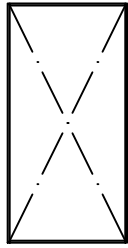
Changes reserved
 Sous reserve de modifications
 Änderungen vorbehalten

Issue: 05
 Date: 10-16

Installation

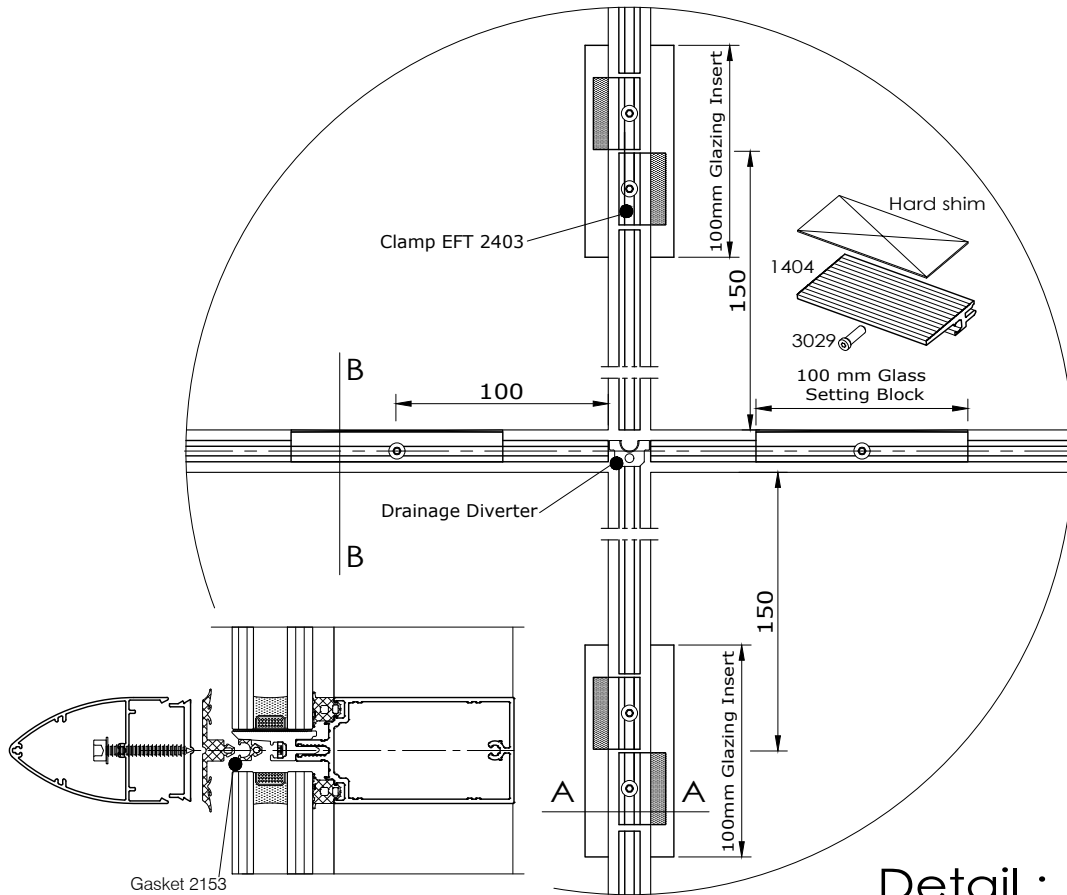
7

Comar 6EFT



7.52

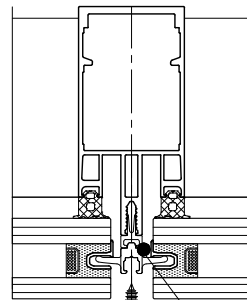
Location of glazing insert, fixing clamps and glass setting block



Gasket 2153
6mm thick, 100 mm length
2200 thermal break beyond

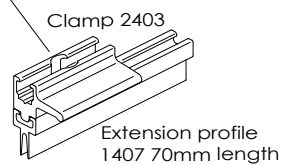
B - B

Detail : B



A - A

- Screw 5.5 x 29 , 3030
- Gasket 6mm , 2186
- Thermal break 18mm EFT 2200
- (EPDM) Joint gasket 20 mm EFT 2175
- (EPDM) Joint gasket 20 mm EFT 2182
- Optional: Silicone Joint with (EPDM) gasket 20 mm EFT 2170 - use bond breaker tape at gasket / silicon joint



Fabricators Guide

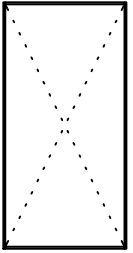
Copyright and ownership of this drawing is vested in EFT, Euro Facade Systems Ltd, whose prior written consent is required for its use, reproduction or for publication to any third party. All other rights reserved. Subject to modifications.

Copyright and ownership of this drawing is vested in EFT, Euro Facade Systems Ltd, whose prior written consent is required for its use, reproduction or for publication to any third party. All other rights reserved.

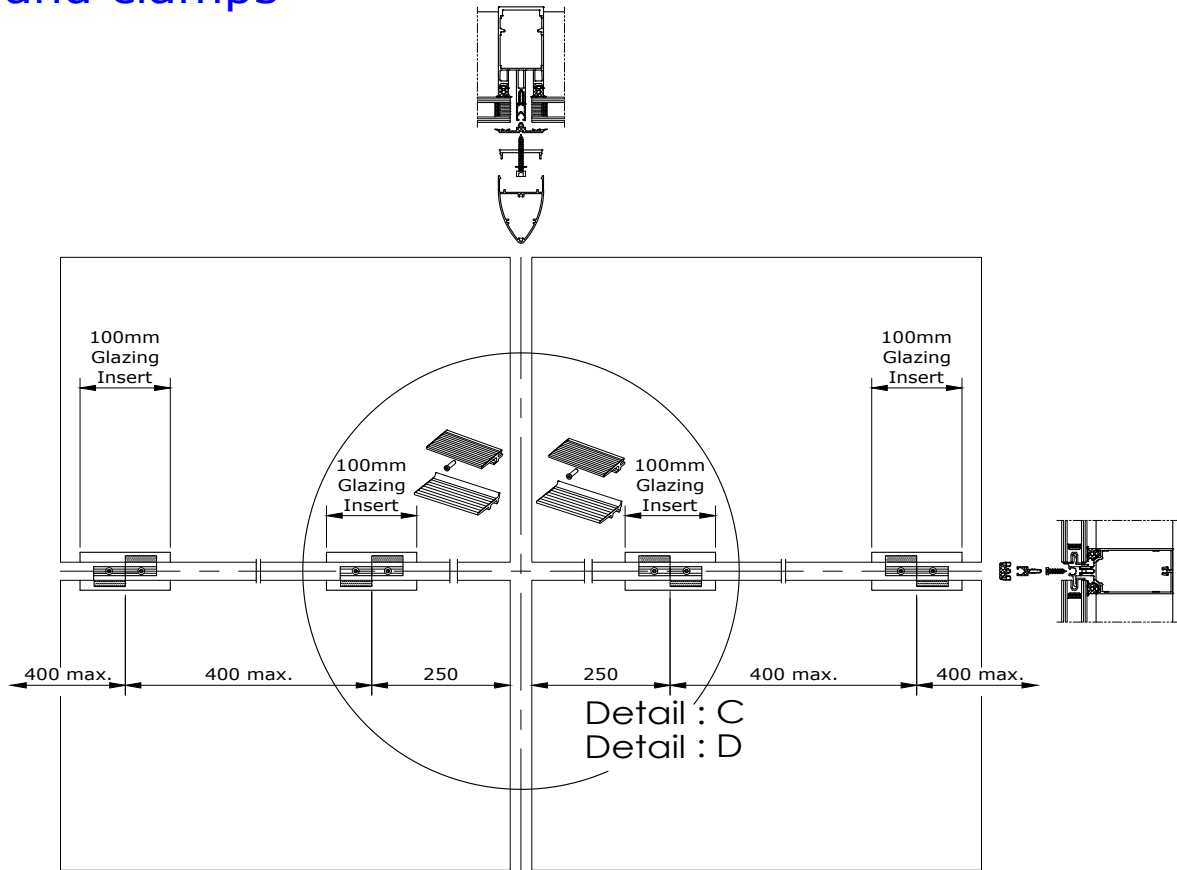
7 Installation

Spacing of inserts and clamps

Comar 6EFT



7.53



Location of glazing inserts and fixing clamps 2sided SGV (Two Sided Structural Glazed, vertical cover cap)

1 Glazing inserts (EFT 2401, 2402, 2405, 2416, 2418, 2420)

Top and bottom edge of glass: Glazing inserts to be located 250mm edge of glass to center of glazing insert at either end. Inserts then spaced at 400mm max. center to center towards the center of the glass unit.

If the center of the glass unit is reached and there is more than a 400mm space between center of inserts, you may go up to a max. of 450mm C.T.C. between those inserts.

Transom C.T.C < 700mm no clamps, C.T.C 700-1000mm 1 clamp, C.T.C 1000-1300mm 2 clamps, C.T.C 1300-1600mm 3 clamps etc.

Dependant on wind load, building height and local situation, the glass manufacturer may approve that less or more inserts can be used.

2 Fixing clamp (EFT 2403)

Clamps to be fixed (with screw 5.5x 23 - 3029 or 5.5x29- 3030)

3 Glass setting block (140x - series)

To be fixed (with screws 5.5 x 23 , 3029)

Location and spacing of glazing inserts & glass setting blocks to be approved by glass manufacturer.

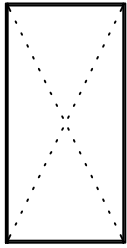
Changes reserved
Sous reserve de modifications
Änderungen vorbehalten

Issue: 05
Date: 10-16

Installation

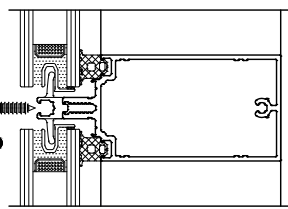
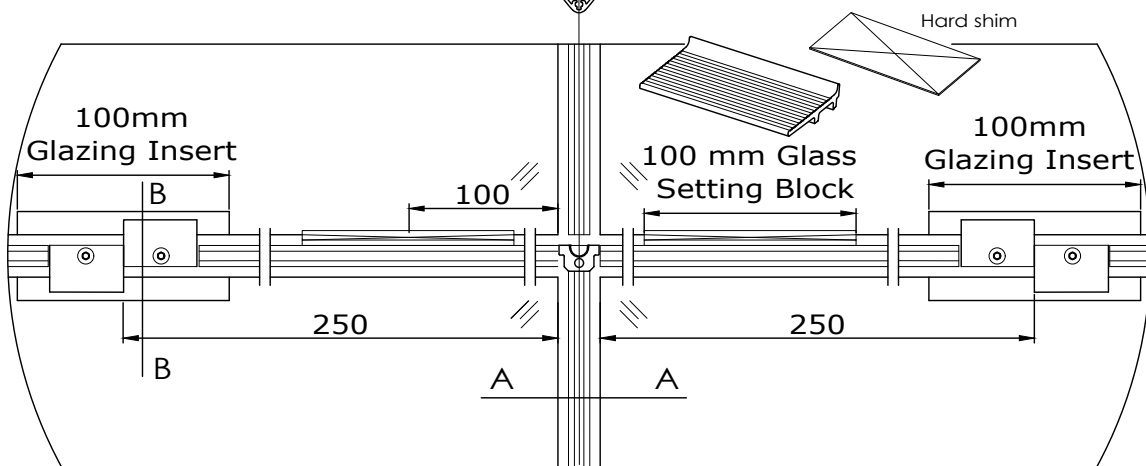
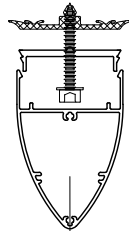
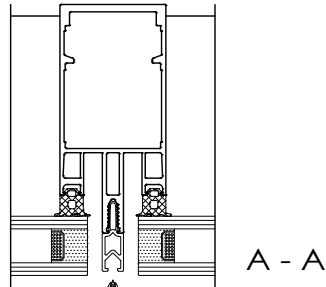
7

Comar 6EFT



Location of glazing inserts, fixing clamps and glass setting block

7.54



B - B

Screw 4.8 x 22 , 3092

Thermal break 12mm EFT 2197 beyond

(EPDM) Joint gasket 20 mm EFT 2175

(EPDM) Joint gasket 20 mm EFT 2182

Optional: Silicone Joint with (EPDM) gasket 20 mm EFT 2170 - use bond breaker tape at gasket / silicon joint

Detail : C

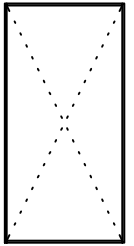
Copyright and ownership of this drawing is vested in EFT, Euro Facade Systems Ltd, whose prior written consent is required for its use, reproduction or for publication to any third party. All other rights reserved. Subject to modifications.

7

Installation

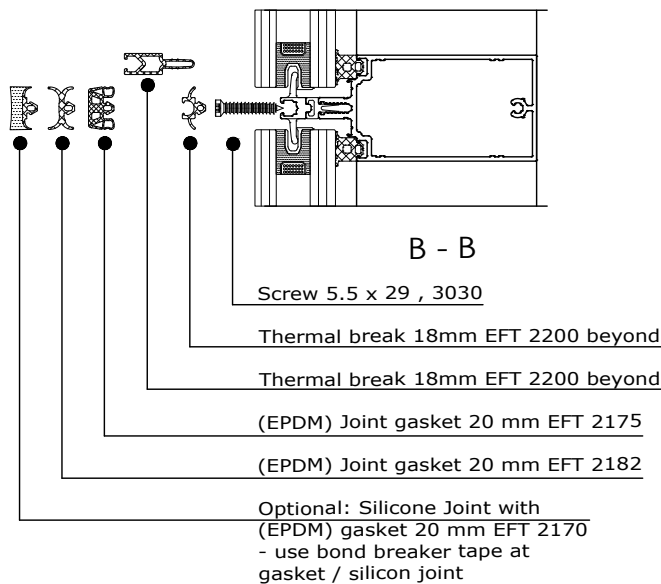
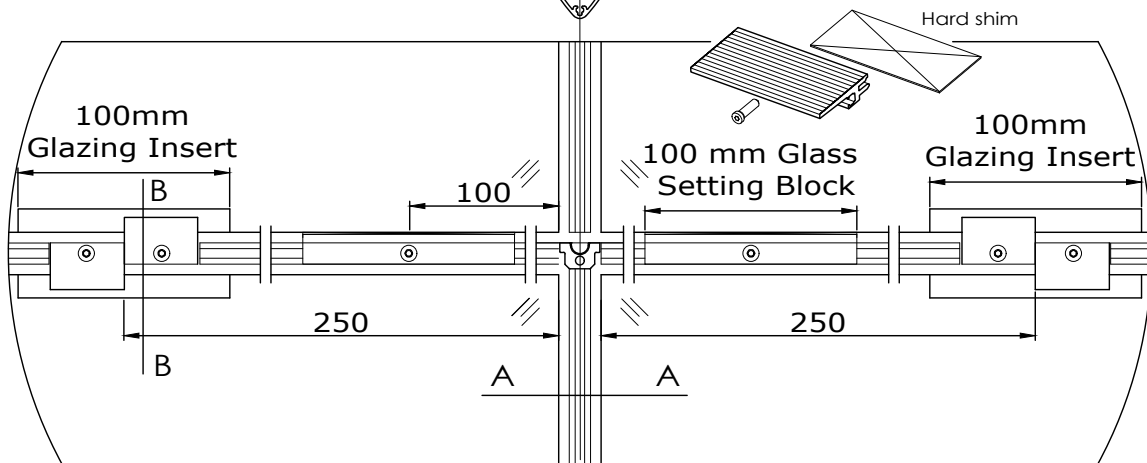
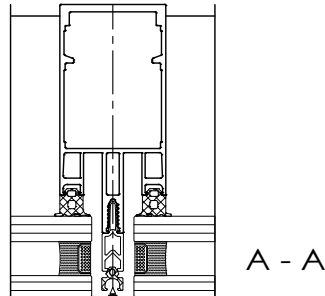
Comar 6EFT

Location of glazing insert
fixing damp and
glass setting block



7.55

Copyright and ownership of this drawing is vested in EFT,
Euro Facade Systems Ltd, whose prior written consent is required
for its use, reproduction or for publication to any third party.
All other rights reserved. Subject to modifications.



Detail : D

Fabricators Guide

Changes reserved
Sous reserve de modifications
Änderungen vorbehalten

Issue: 05
Date: 10-16

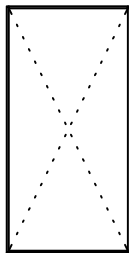


Installation

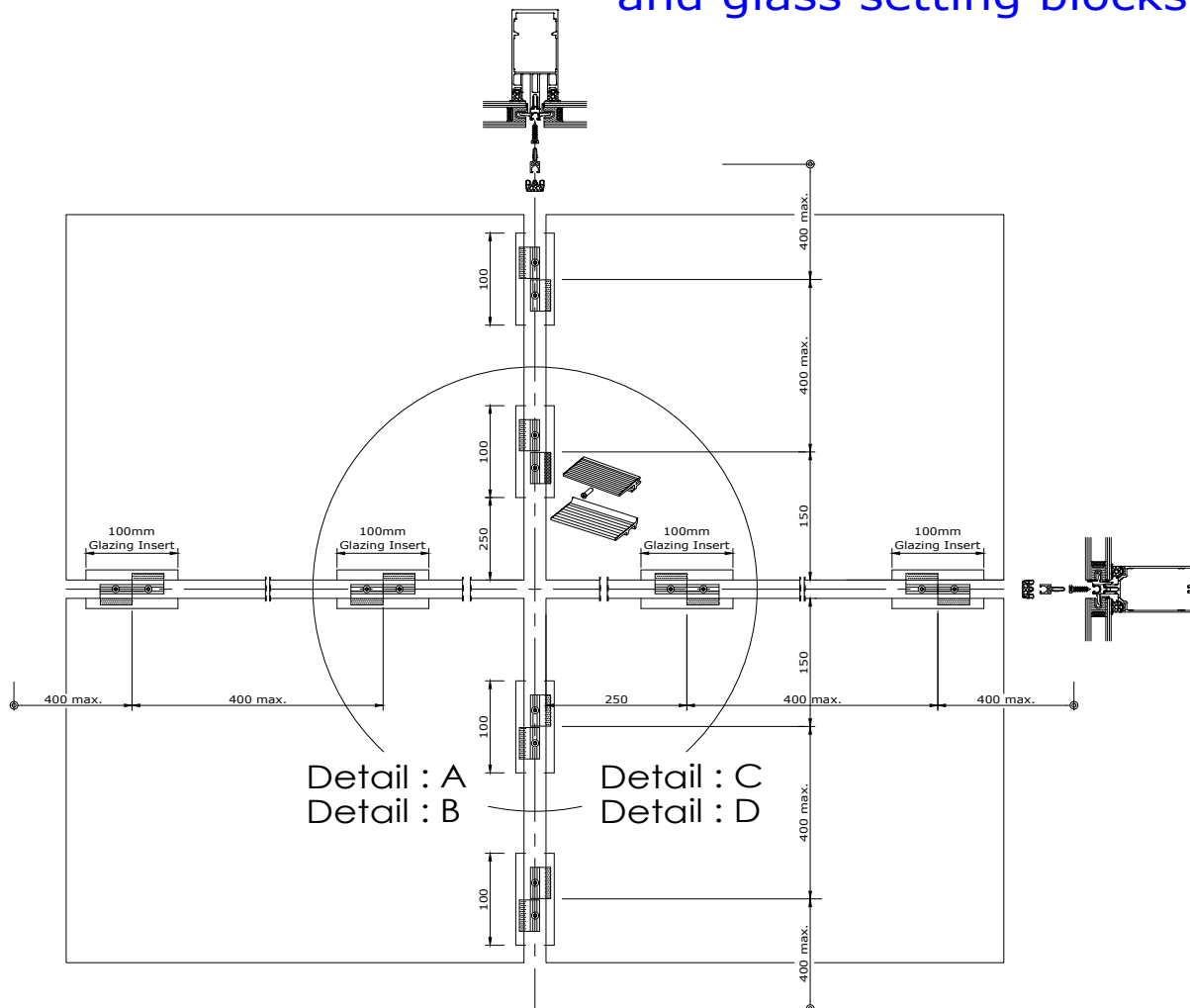
7

Comar 6EFT

Spacing of insert, dampers and glass setting blocks



7.56



Copyright and ownership of this drawing is vested in EFT, Euro Facade Systems Ltd, whose prior written consent is required for its use, reproduction or for publication to any third party. All other rights reserved. Subject to modifications.

Fabricators Guide

Location glazing insert and fixing clamps - 4 sided Structural Glazing

1 Glazing inserts (EFT 2401, 2402, 2405, 2416, 2418, 2420)

Top and bottom edge of glass: Glazing inserts to be located 250mm edge of glass to center of glazing insert at either end. Inserts then spaced at 400mm max. center to center towards the center of the glass unit.

Left & right edges of glass: Glazing inserts to be located 150mm edge of glass to center of glazing insert at either end. Inserts then spaced at 400mm max. center to center towards the center of the glass unit.

If the center of the glass unit is reached and there is more than a 400mm space between center of inserts, you may go up to a max of 450mm C.T.C. between those inserts.

2 Fixing clamp (EFT 2403)

Clamps to be fixed (with screw 5.5 x 23 - 3029 or 5.5 x 29 - 3030)

3 Glass setting block (140 x - series)

To be fixed (with screws 5.5 x 23 , 3029)

Location and spacing of glazing inserts & glass setting blocks to be approved by glass manufacturer.



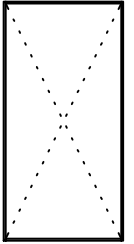
comar
ARCHITECTURAL ALUMINIUM SYSTEMS

Changes reserved
Sous reserve de modifications
Änderungen vorbehalten

Issue: 05
Date: 10-16

Thermal break installation

Comar 6EFT



For correct isolator/thermal break, refer to glazing charts in section 3.

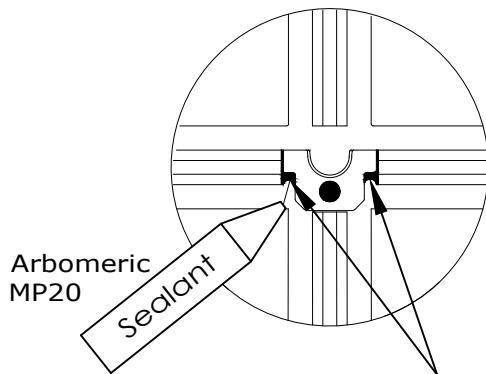
2 or 4 sided structural glazing

The thermal break must be cut to length between glass setting blocks and clamps.

7.57

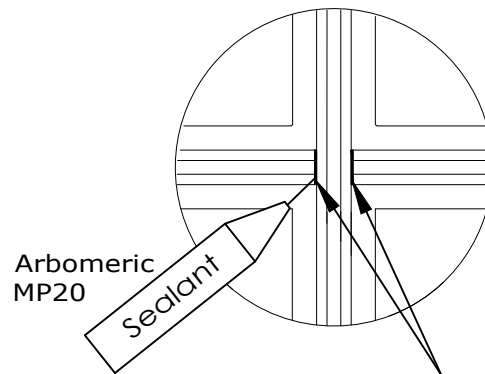
Isolator/thermal break to be sealed as shown below in all configurations.

Where a drainage diverter is installed



Apply sealant at both edges of transom-thermal break

Where no drainage diverter is installed



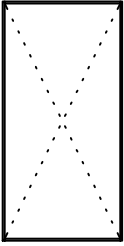
Apply sealant at both edges of transom-thermal break

Installation

7

Comar 6EFT

Drainage diverter Installation



Drainage diverters are to be installed:

- On each mullion at the transom joint nearest the ground.
- Upside down at the highest mullion-transom joint.
- Each mullion for the cruciform above each mullion joint.
- The mullion-transom joint above any doors.

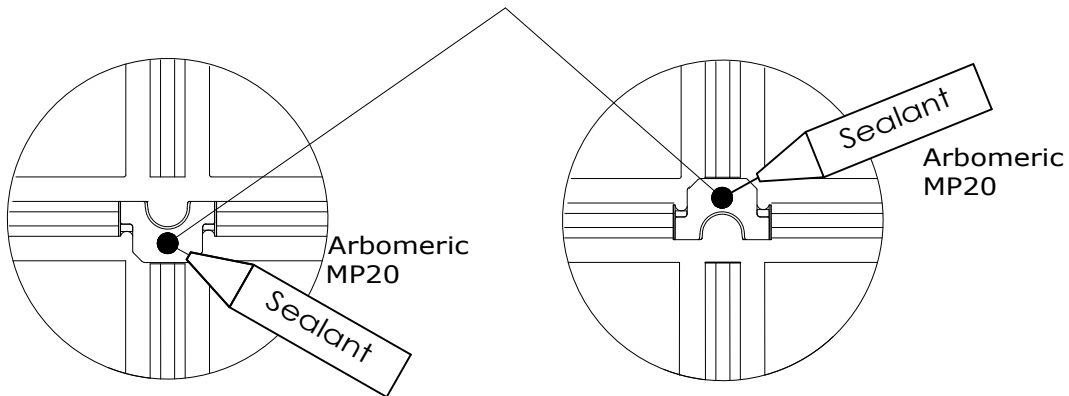
Notes:

7.58

- A drainage diverter at every cruciform for zone drainage is optional.
- For 4 sided structural jobs, spout of drainage diverter to be cut back to 3mm long. Refer to page 7.41.
- For correct drainage diverter, refer to glazing charts in section 3.

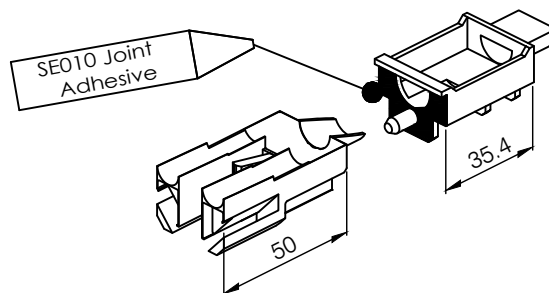
Locate drainage diverter ensuring it is pushed back flush with the mullion

Inject sealant into hole in drainage diverter and ensure sealant covers all sides



- Lowest mullion-transom joint
- Cruciform above each mullion joint
- At mullion-transom connection above doors
- Installed upside down at highest mullion-transom > 3m in height (for pressure equalisation)

Connection Drainage diverters XX2023 (50mm) & Extension drainage diverter (35mm) XX2032



Copyright and ownership of this drawing is vested in EFT, Euro Facade Systems Ltd, whose prior written consent is required for its use, reproduction or for publication to any third party. All other rights reserved. Subject to modifications.

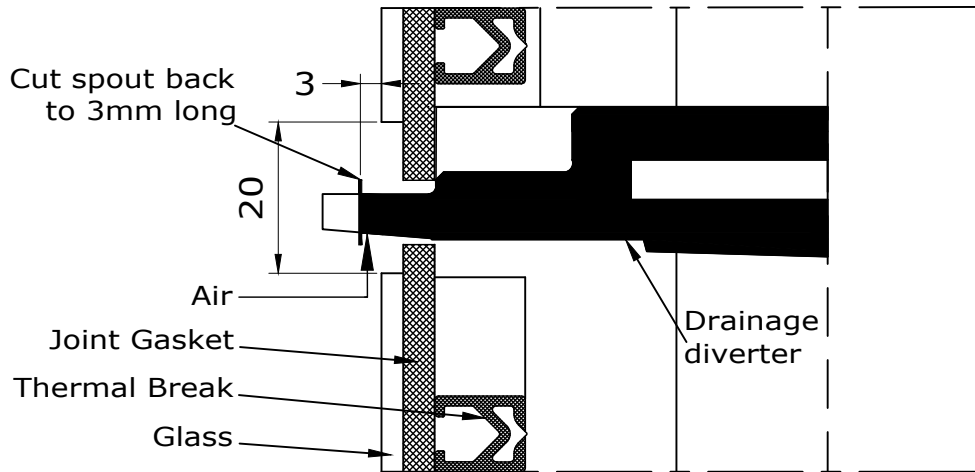
7

Installation

Comar 6EFT

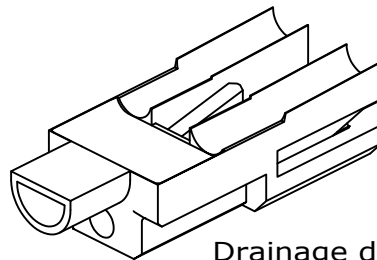
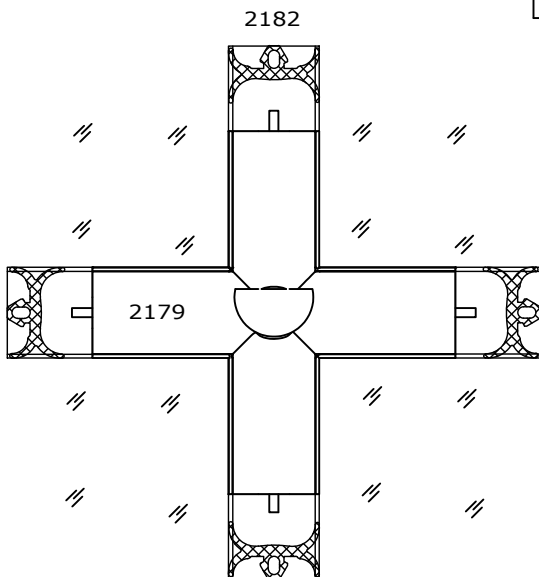
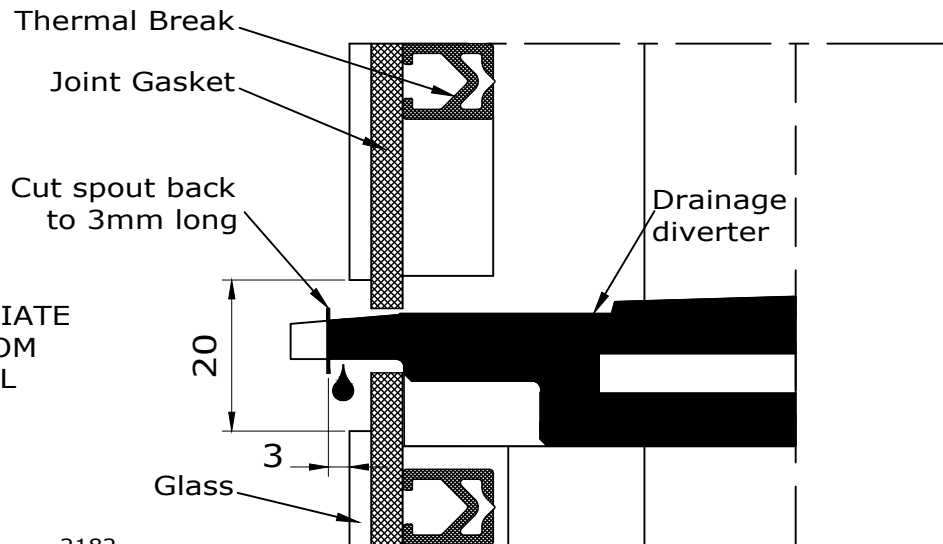
4sided SG drainage & ventilation detail

TOP
DETAIL



7.59

INTERMEDIATE
& BOTTOM
DETAIL



- Drainage diverter:
- 2021 50mm
 - 2019 54mm
 - 2020 56mm
 - 2026 64mm
 - 2027 72mm

Fabricators Guide

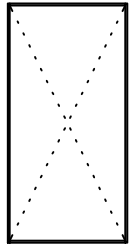
Changes reserved
Sous reserve de modifications
Änderungen vorbehalten

Issue: 05
Date: 10-16

Instalation

7

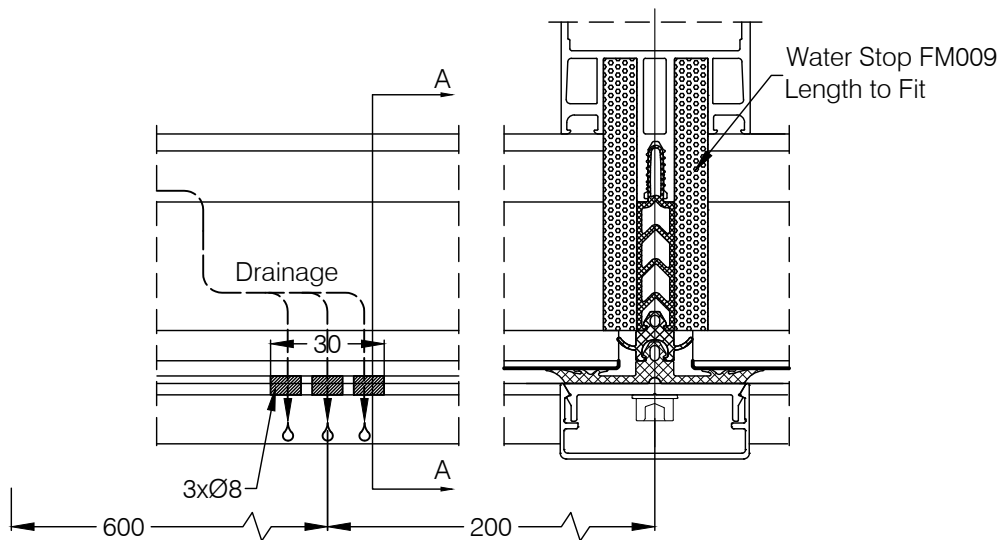
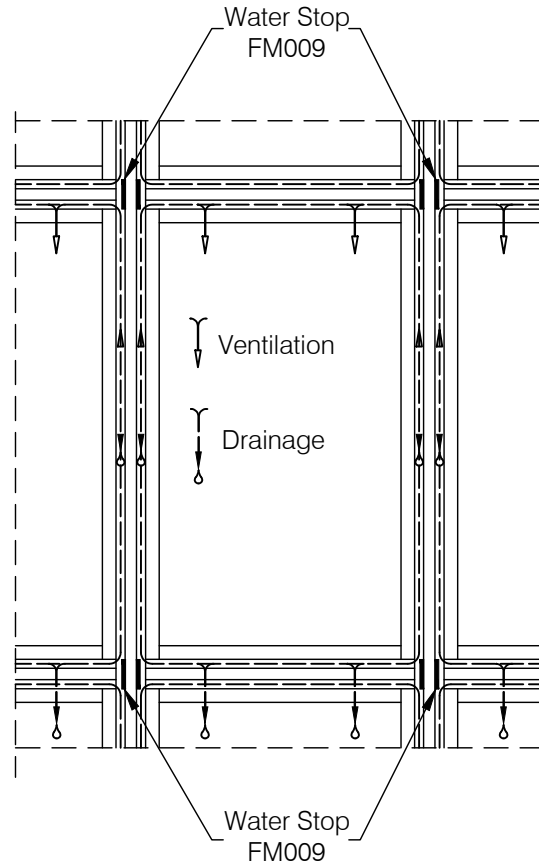
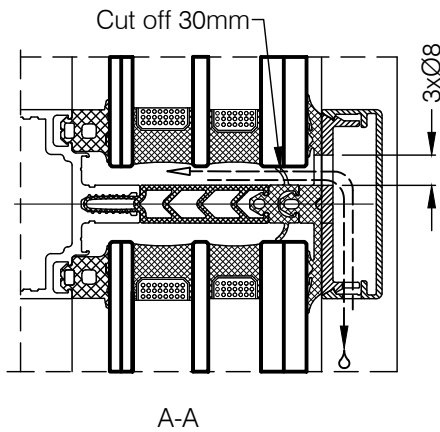
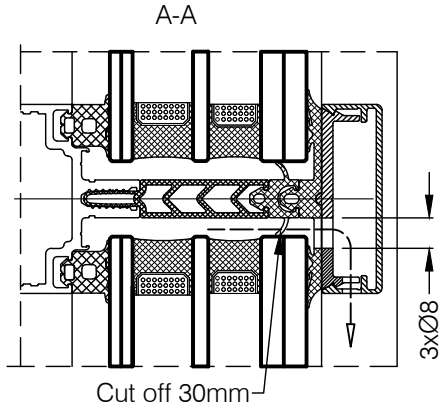
Comar 6EFT



7.60

Fabricators Guide

Drainage & Ventilation by Individual Window



Copyright and ownership of this drawing is vested in EFT, Euro Facade Systems Ltd, whose prior written consent is required for its use, reproduction or for publication to any third party. All other rights reserved. Subject to modifications.

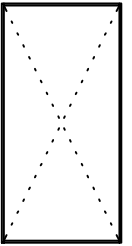


comar
ARCHITECTURAL ALUMINIUM SYSTEMS

Changes reserved
Sous reserve de modifications
Änderungen vorbehalten

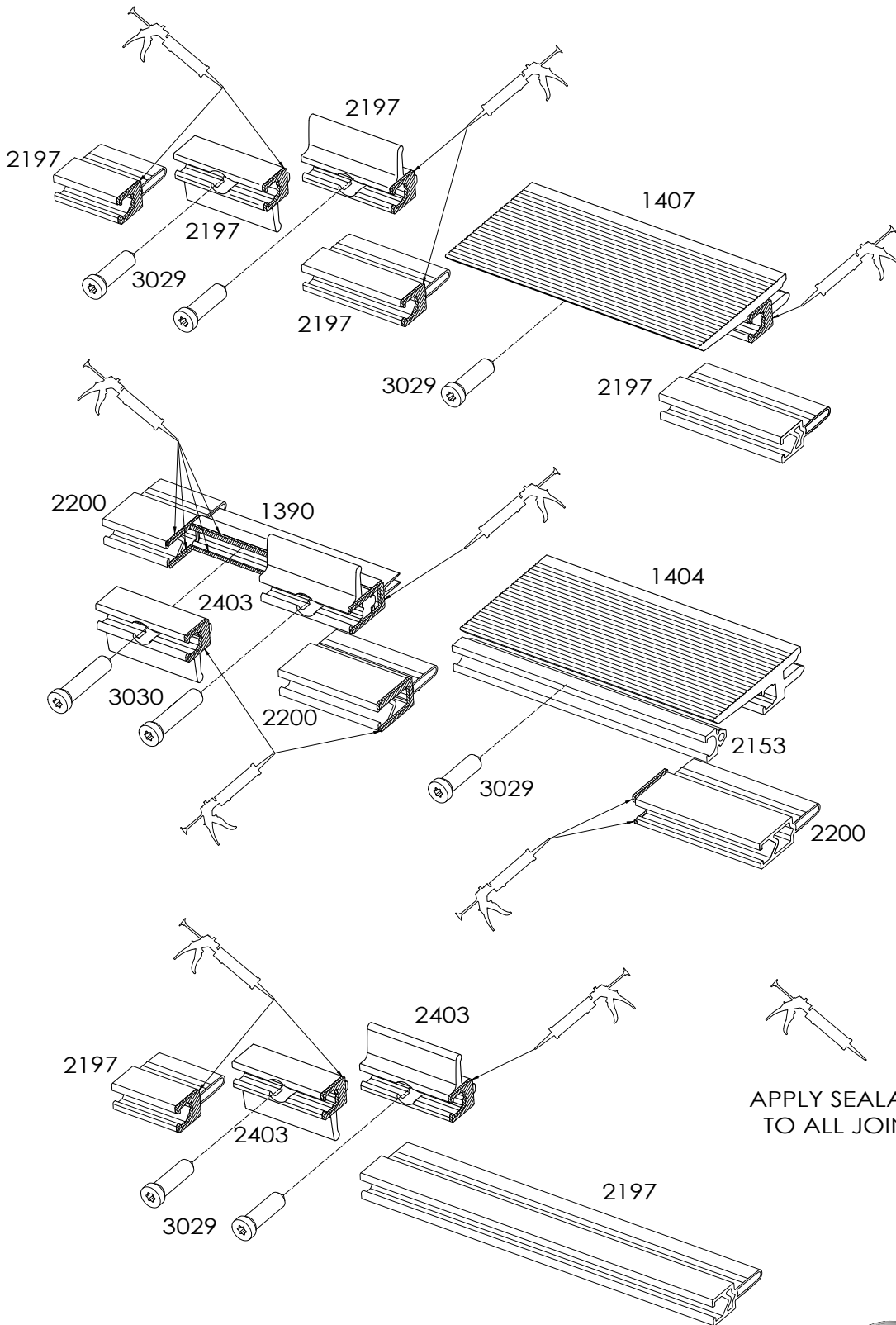
Issue: 05
Date: 10-16

Sealing



7.61

Copyright and ownership of this drawing is vested in EFT, Euro Facade Systems Ltd, whose prior written consent is required for its use, reproduction or for publication to any third party. All other rights reserved. Subject to modifications.



APPLY SEALANT
TO ALL JOINT

Changes reserved
Sous reserve de modifications
Änderungen vorbehalten

Issue: 05
Date: 10-16

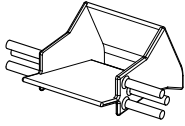
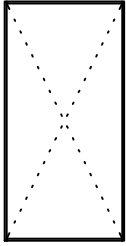
Installation

7

Comar 6EFT

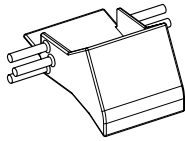
Transom drainage diverter

Transom drainage diverter 2025 to be used on 4 sided SG faceted screens and any 4sided SG corners.

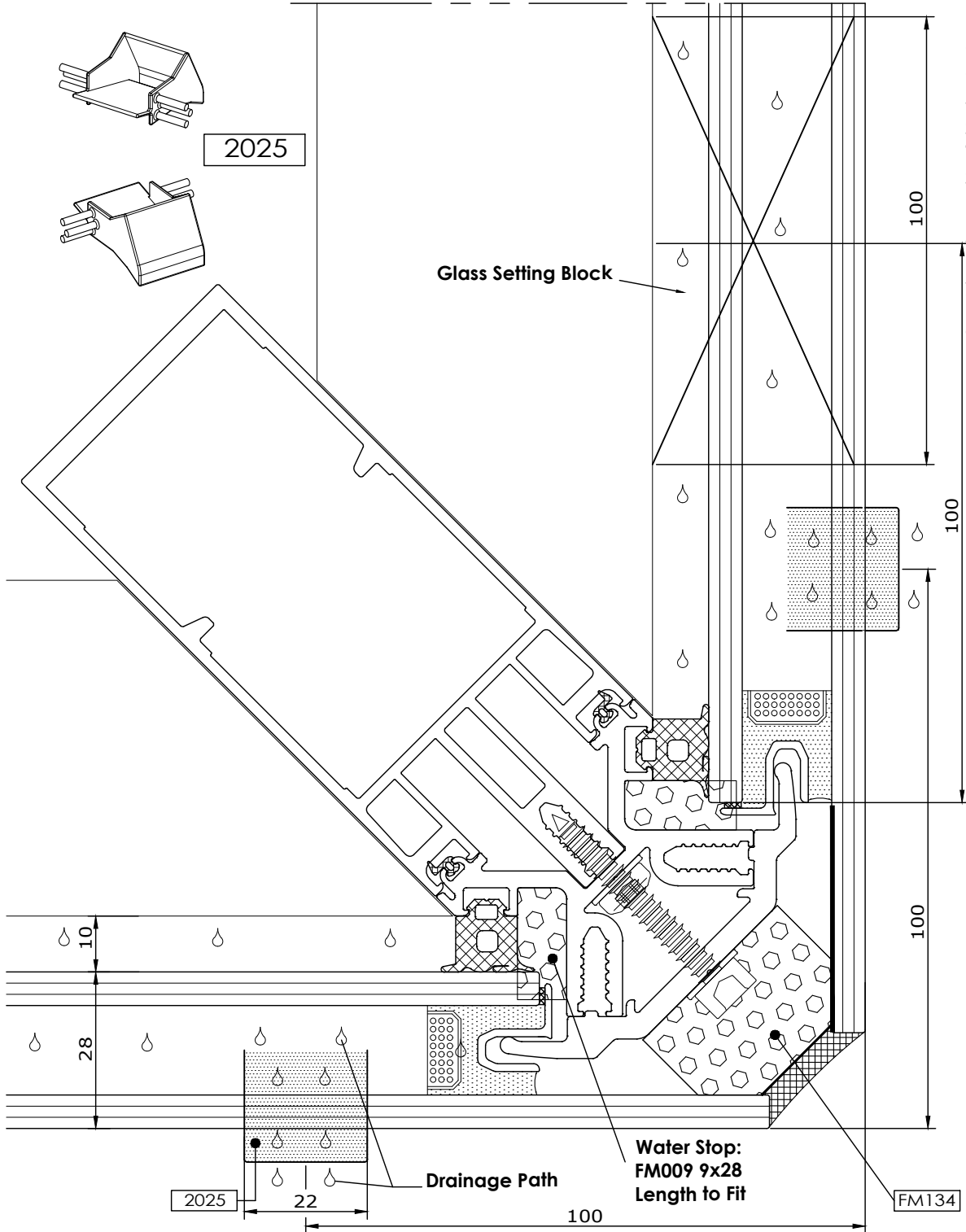


2025

7.62



Fabricators Guide



Copyright and ownership of this drawing is vested in EFT, Euro Facade Systems Ltd, whose prior written consent is required for its use, reproduction or for publication to any third party. All other rights reserved. Subject to modifications.



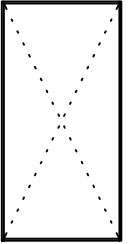
comar
ARCHITECTURAL ALUMINIUM SYSTEMS

Changes reserved
Sous reserve de modifications
Änderungen vorbehalten

Issue: 05
Date: 10-16

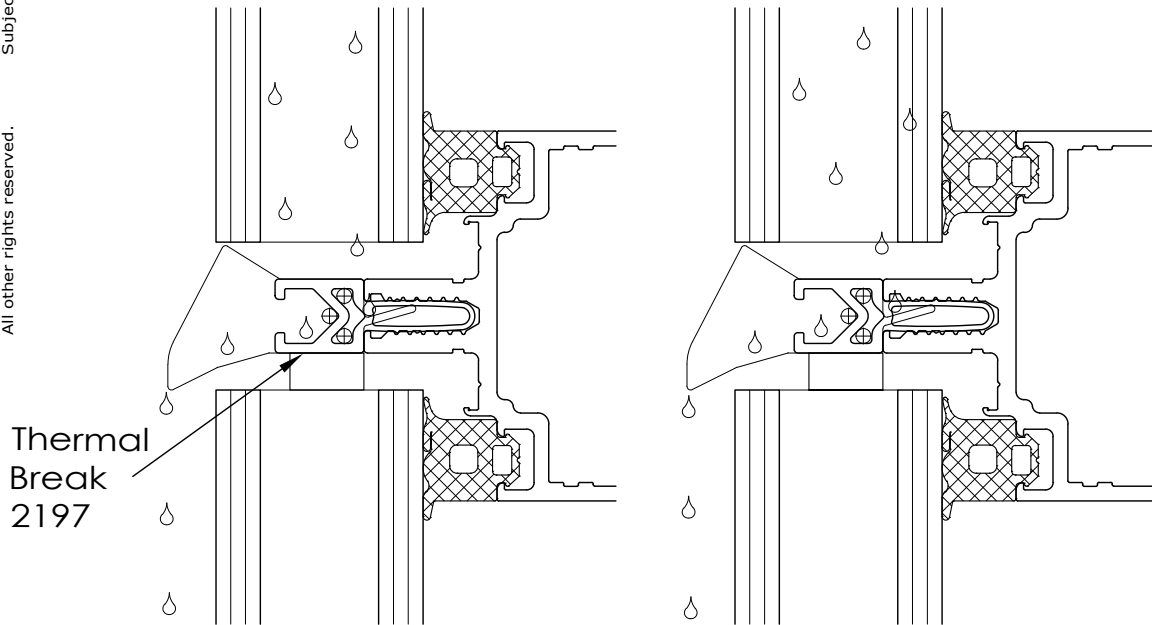
Transom drainage diverter

Transom drainage diverter 2025 to be used on 4sided SG facetted screens and any 4 sided SG corners.

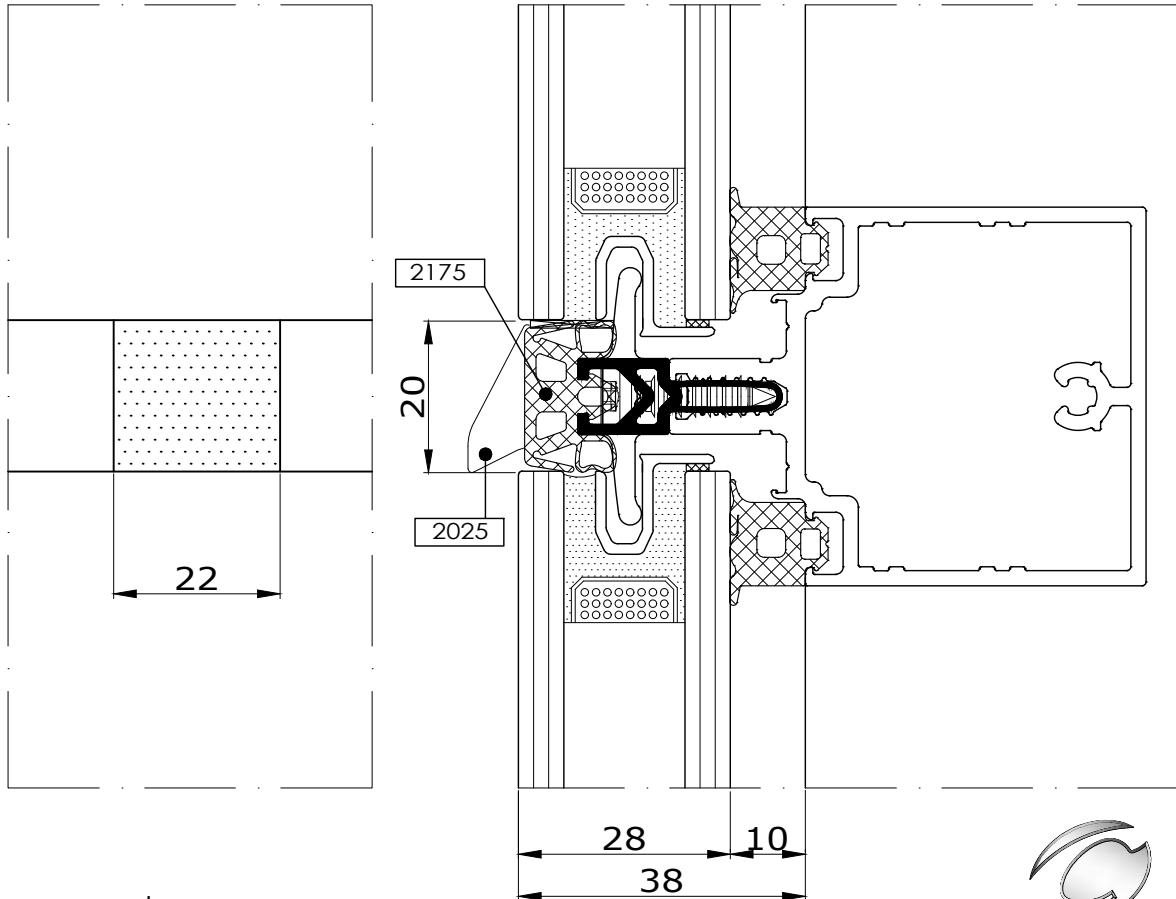


7.63

Copyright and ownership of this drawing is vested in EFT, Euro Facade Systems Ltd, whose prior written consent is required for its use, reproduction or for publication to any third party. All other rights reserved. Subject to modifications.



Thermal Break 2197



Fabricators Guide

Changes reserved
Sous reserve de modifications
Änderungen vorbehalten

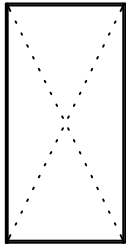
Issue: 05
Date : 10-16

Installation

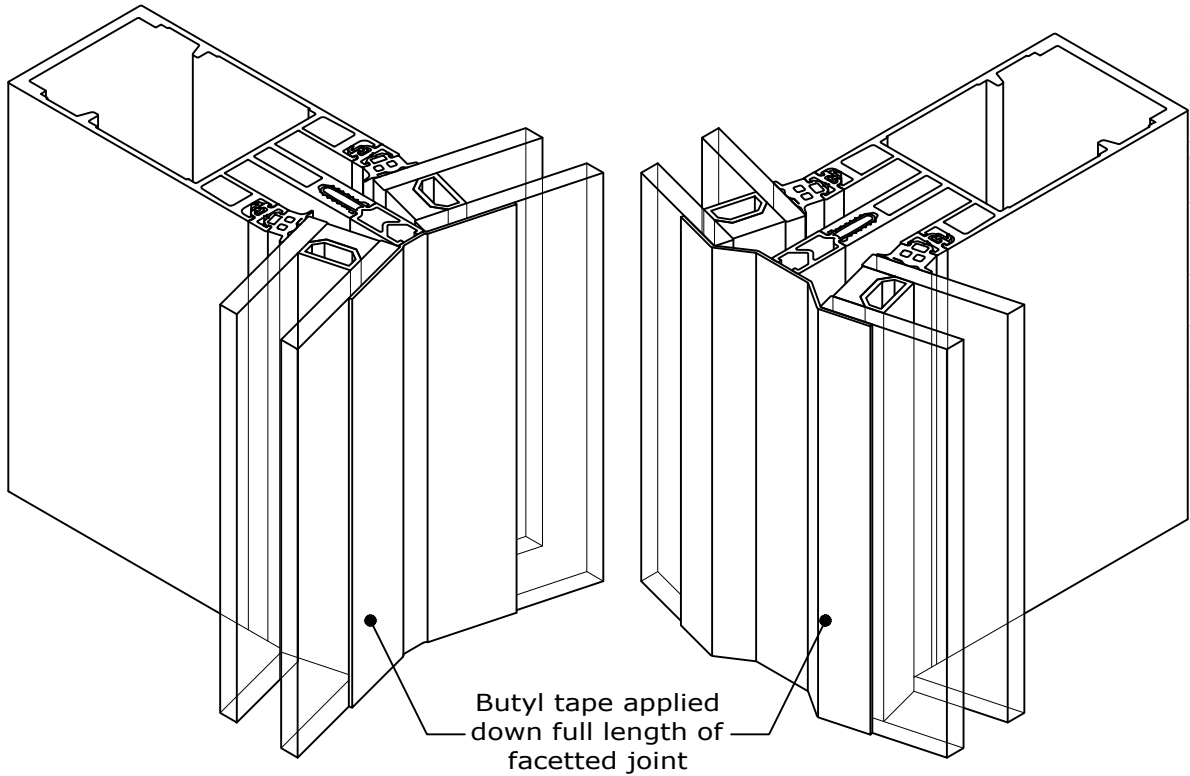
7

Comar 6EFT

Butyl tape application



7.64

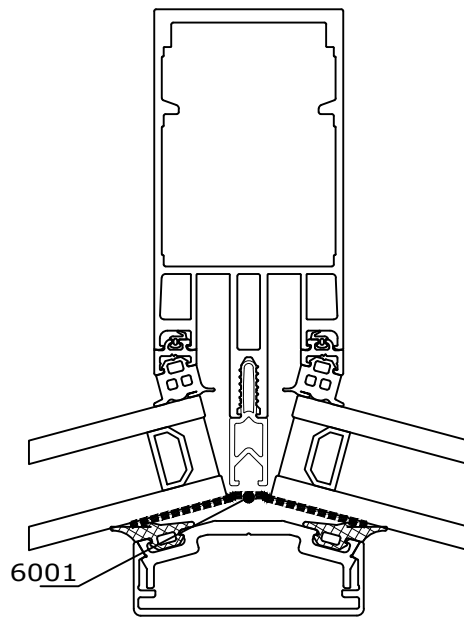
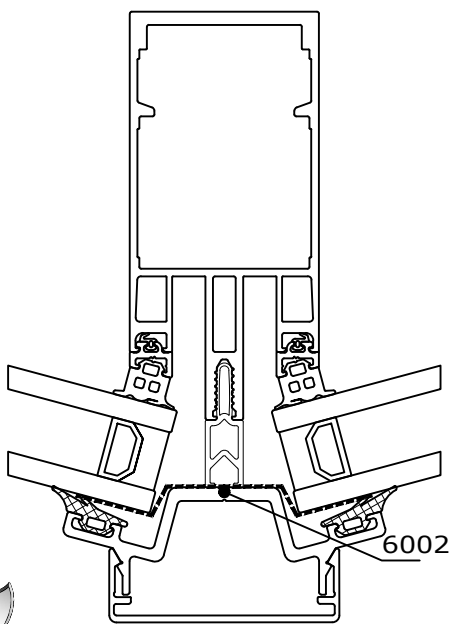


Copyright and ownership of this drawing is vested in EFT, Euro Facade Systems Ltd, whose prior written consent is required for its use, reproduction or for publication to any third party. All other rights reserved. Subject to modifications.

Fabricators Guide

Butyl tape 6001 or 6002 to be installed full height of the mullion down any faceted angle joint to be covered by a pressure plate & cover cap.

Punched & drilled holes for pressure plate screws, drainage diverters and pressure equalization.



comar
ARCHITECTURAL ALUMINIUM SYSTEMS

Changes reserved
Sous reserve de modifications
Änderungen vorbehalten

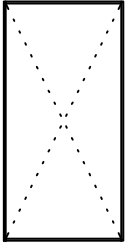
Issue: 05
Date: 10-16

Copyright and ownership of this drawing is vested in EFT, Euro Facade Systems Ltd, whose prior written consent is required for its use, reproduction or for publication to any third party. All other rights reserved.

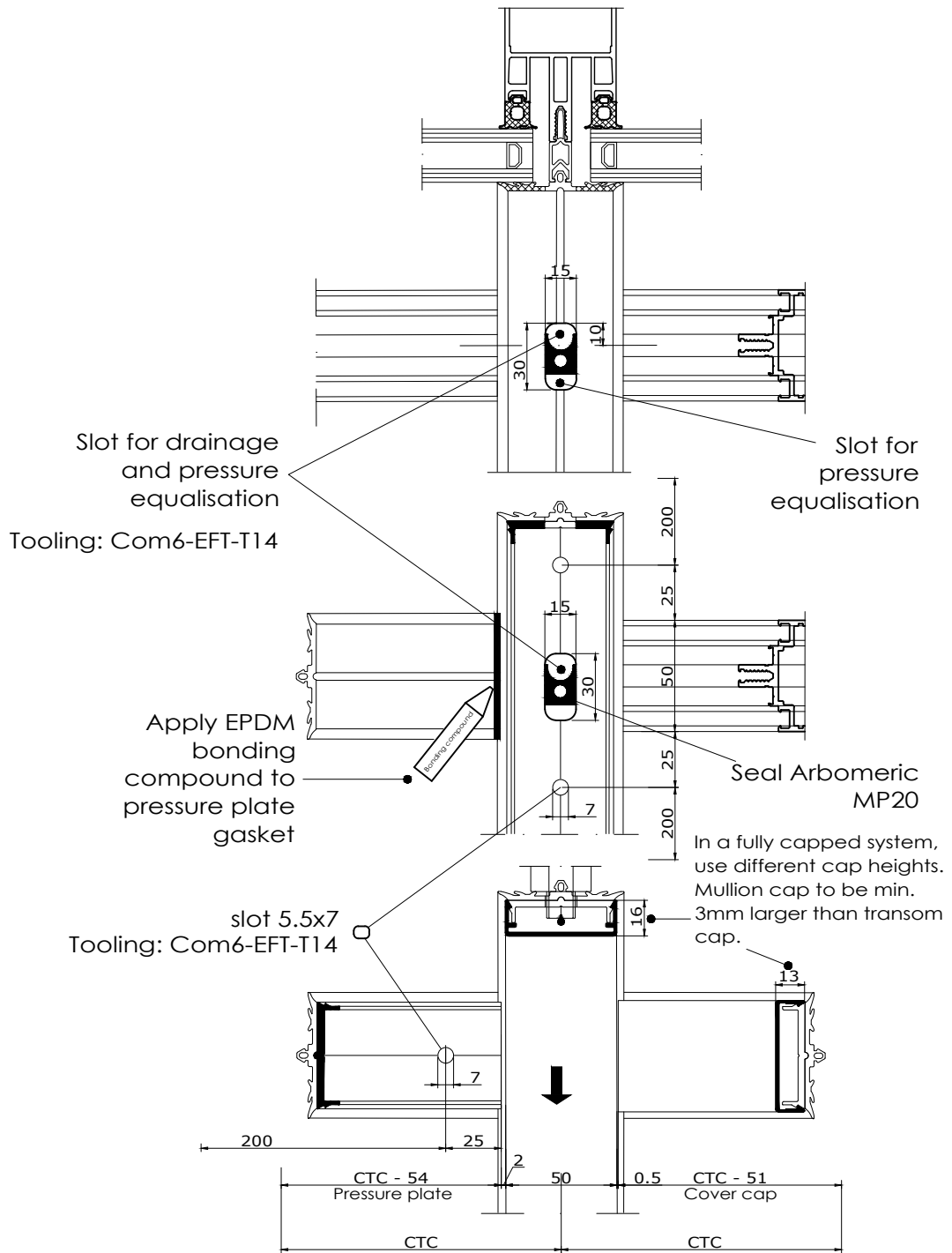
Single gasket installation

7

Installation Comar 6EFT



7.65



↓
= thermal expansion

Changes reserved
Sous reserve de modifications
Änderungen vorbehalten

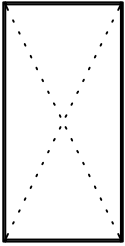
Issue: 05
Date: 10-16

Installation

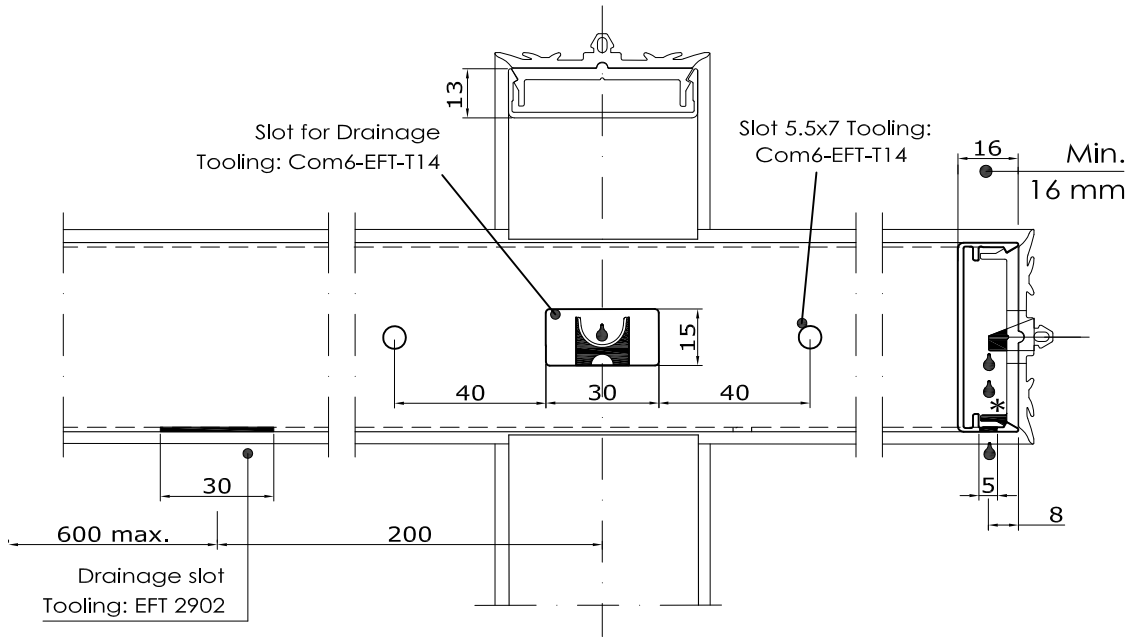
7

Comar 6EFT

Draining horizontal



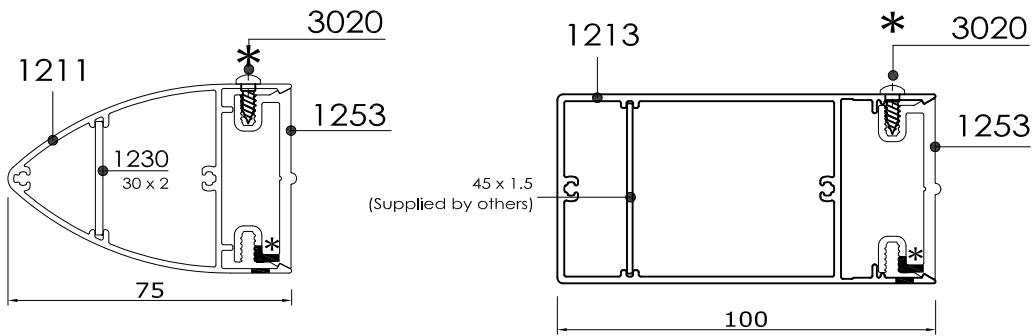
7.66



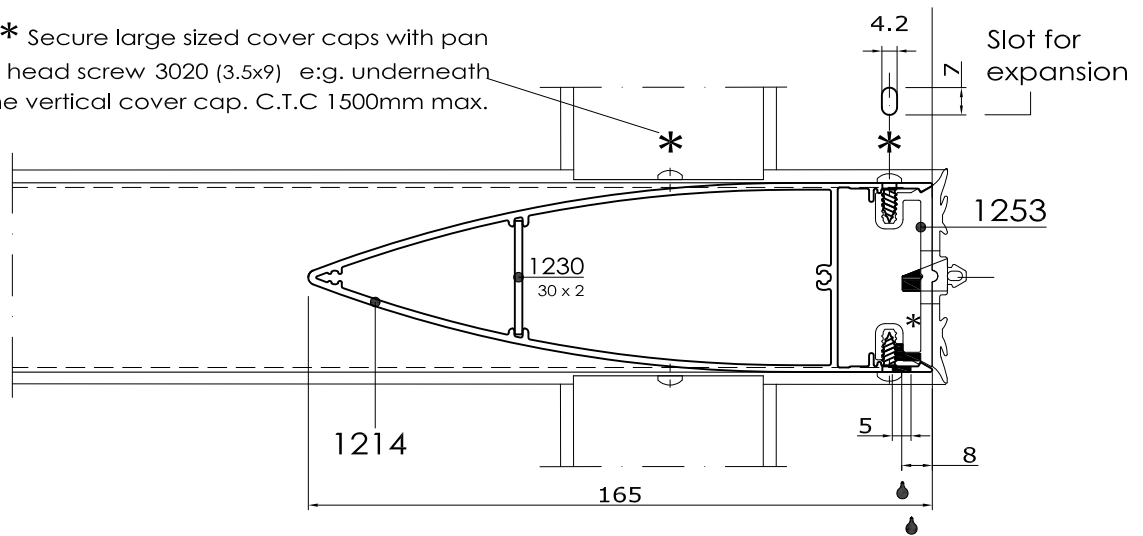
Copyright and ownership of this drawing is vested in EFT, Euro Facade Systems Ltd, whose prior written consent is required for its use, reproduction or for publication to any third party. All other rights reserved. Subject to modifications.

Fabricators Guide

FIXING LARGE COVER CAPS



* Secure large sized cover caps with pan head screw 3020 (3.5x9) e.g. underneath the vertical cover cap. C.T.C 1500mm max.



Changes reserved
Sous reserve de modifications
Änderungen vorbehalten



comar

ARCHITECTURAL ALUMINIUM SYSTEMS

Issue: 05
Date: 12-17

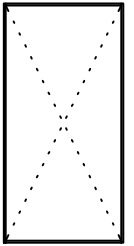
Copyright and ownership of this drawing is vested in EFT, Euro Facade Systems Ltd, whose prior written consent is required for its use, reproduction or for publication to any third party. All other rights reserved.

7

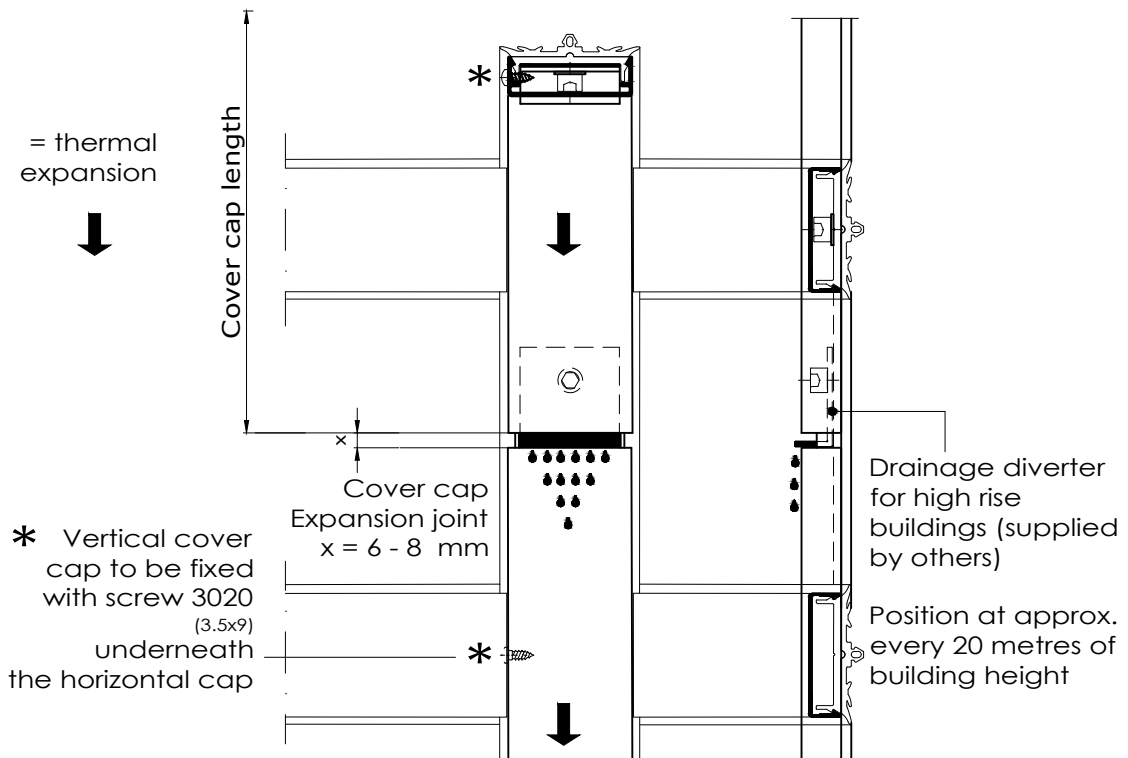
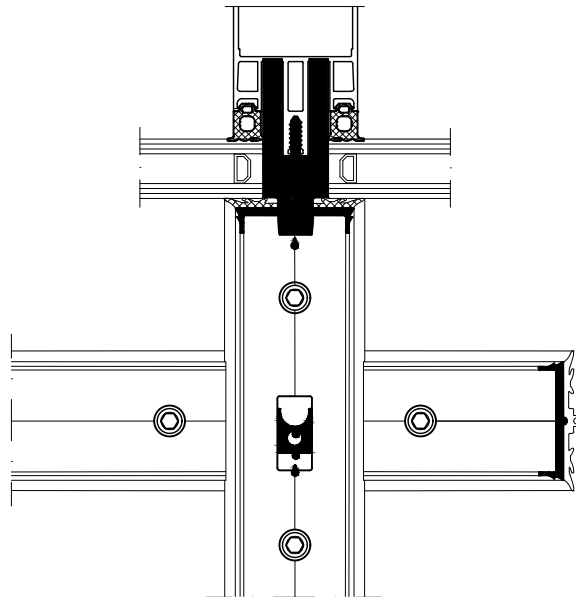
Installation

Comar 6EFT

Draining large heights
Fixing vertical cover caps



7.67



Changes reserved
Sous reserve de modifications
Änderungen vorbehalten

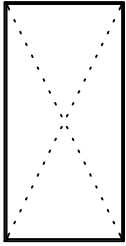
Issue: 05
Date: 10-16

Installation

7

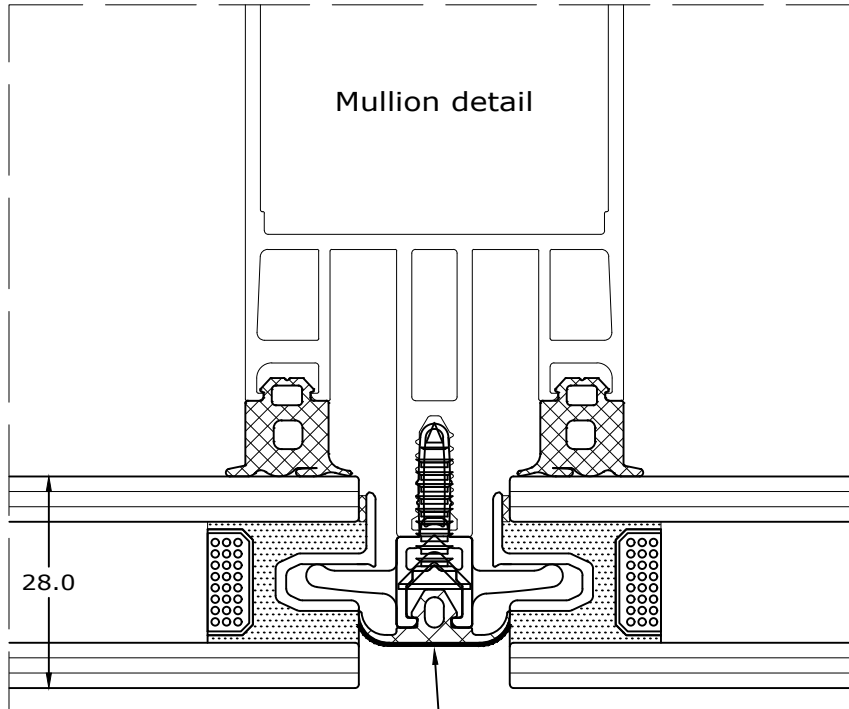
Comar 6EFT

Silicone seal & bond breaker tape application



7.68

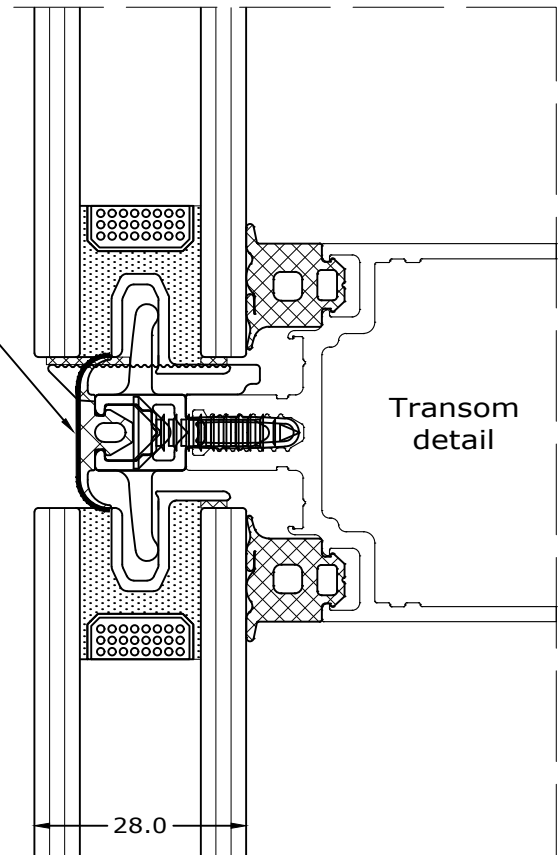
Fabricators Guide



Any edge of gasket that will be exposed to external silicone seal must have bond breaker tape applied to its surface to prevent a three way seal

It is the silicone installers responsibility to supply and apply a suitable bond breaker tape and silicone seal.

A warranty on the silicone seal should be obtained from the silicone installer company.



Copyright and ownership of this drawing is vested in EFT, Euro Facade Systems Ltd, whose prior written consent is required for its use, reproduction or for publication to any third party. All other rights reserved. Subject to modifications.



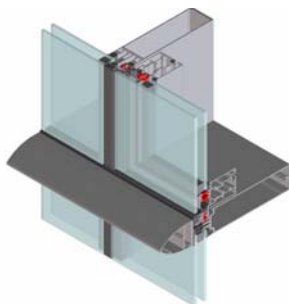
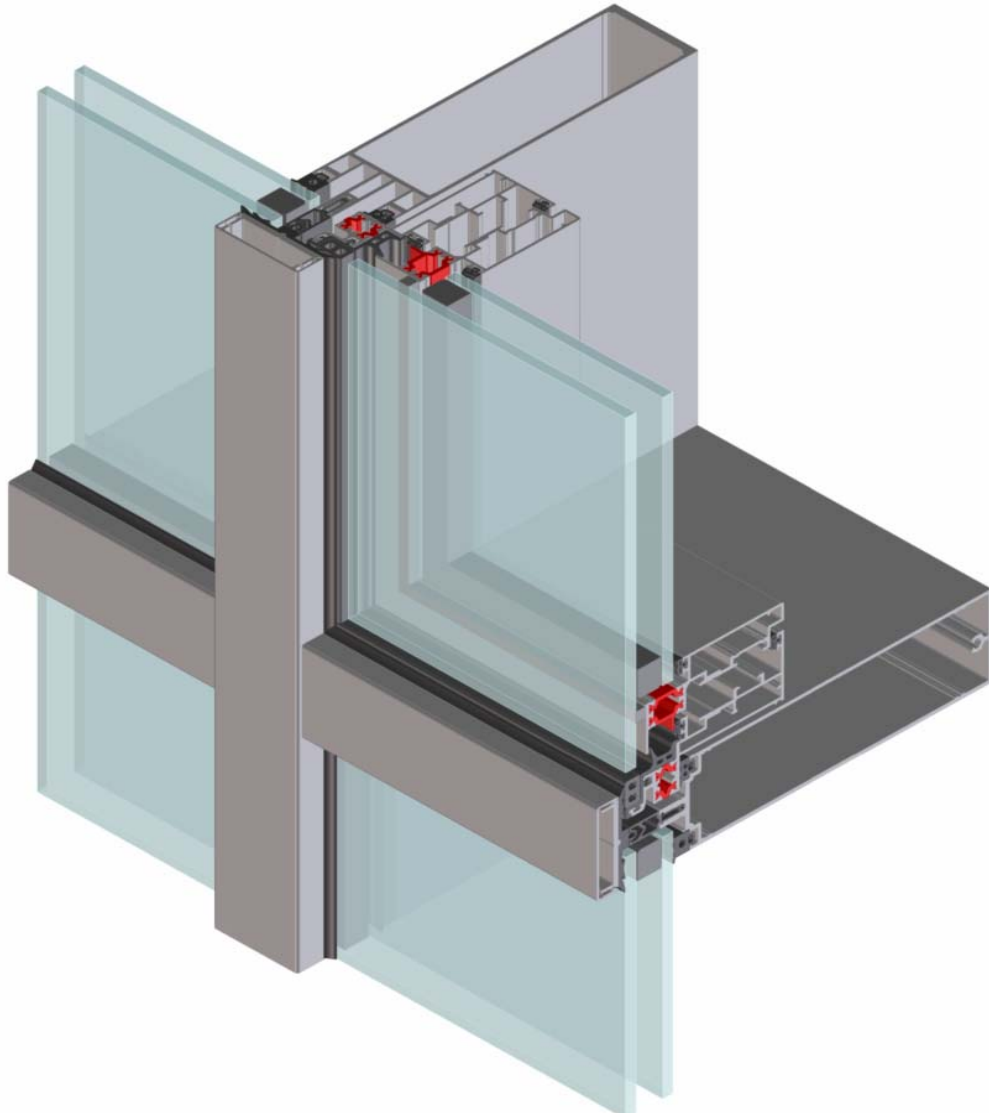
comar
ARCHITECTURAL ALUMINIUM SYSTEMS

Changes reserved
Sous reserve de modifications
Änderungen vorbehalten

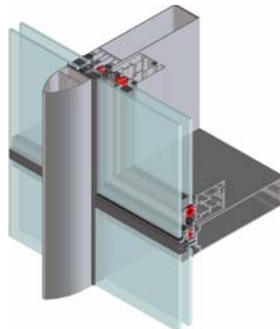
Issue: 05
Date: 10-16

Concealed Vent into capped CW

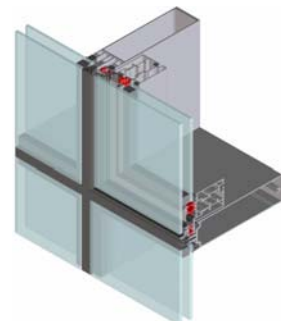
Copyright and ownership of this drawing is vested in EFT,
Euro Facade Systems Ltd, whose prior written consent is required
for its use, reproduction or for publication to any third party.
All other rights reserved. Subject to modifications.



into 2sided SGH



into 2sided SGV



into 4sided SG

Changes reserved
Sous reserve de modifications
Änderungen vorbehalten

Issue: 05
Date: 10-16

Introduction

Comar 6 EFT Concealed Vent

Comar 6 EFT Concealed Vent is a top hung or side hung window system, with friction hinges and is available with double glazed sealed units only.

This integrated curtain wall window system, the Comar 6 EFT Concealed Vent has an outer frame and vent frame developed with a thermal barrier.

Available Framing

For thermally broken double glazed units only:

System depth = 94 mm

4001 - Vent Frame

4003 - Outer Frame

Glazing options are: 24 mm / 28 mm / 30 mm

Suitable for Standard Curtain Wall

Suitable for 2 Sided Curtain Wall

Suitable for 4 Sided Curtain Wall

Specification Summary

Glazing

The system is glazed from the outside, structurally bonded to the moving frame (window vent)
Glass should conform to the requirement of BS 6262 for thickness / type and in terms of wind resistance, safety and security.

Drainage

The system is drained, achieved by meeting the requirements of "ventilated and drained glazing system" as specified in BS 6262

Thermal Insulation

Classification in accordance with DIN 4108 or EN ISO 10077-1

Thermally Concealed Vent

The thermal transmittance (U_f) $W/m^2 K$ is depending on the insulator strip, calculated as per EN ISO 10077-1
Comparable with class 1.0 or 2.1 DIN 4108 - 4 Table 3

Sound Insulation

Depending largely upon the glass specification, generally the curtain wall framing reduces the figure by 2dB (A)

Materials

The system is constructed from extruded aluminium profiles, using alloy 6063 complying with the requirements of BS1474.
thermal barrier system is achieved by means of PVC / PP extrusion.

Construction

Any instructions regarding the manufacture and installation of the system must be strictly adhered to.

Weathering

Glazing vision strips are made conforming to BS 4255 Part 1.

Performance / exposure category

The system will achieve the following criterion when manufactured, installed and glazed to EFT recommended procedures.

Classification

Air permeability: BS EN 12207 - Class 4

Water tightness: BS EN 12208 - Class E750

Wind resistance: BS EN 13116 - 2400 Pa design
- 3600 Pa safety

The 2400Pa (Pascal's) wind resistance relies upon correct mullion and transom selection.
Suitability of profiles for span and spacing is on a project - by - project basis.

Size Limitations

The size limitations of the system depends on the hardware used.
Please refer to Comar's Technical Office for advice.

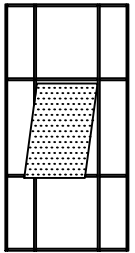
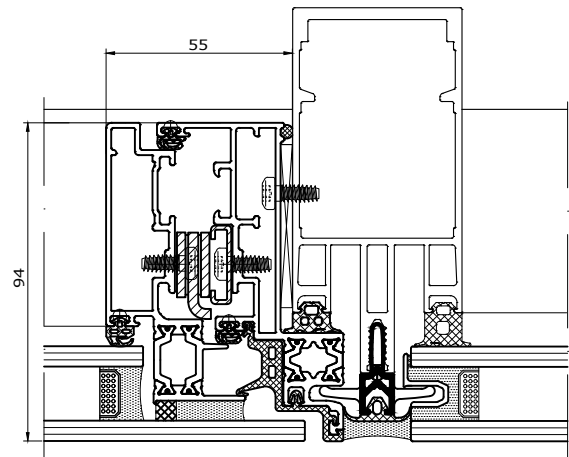
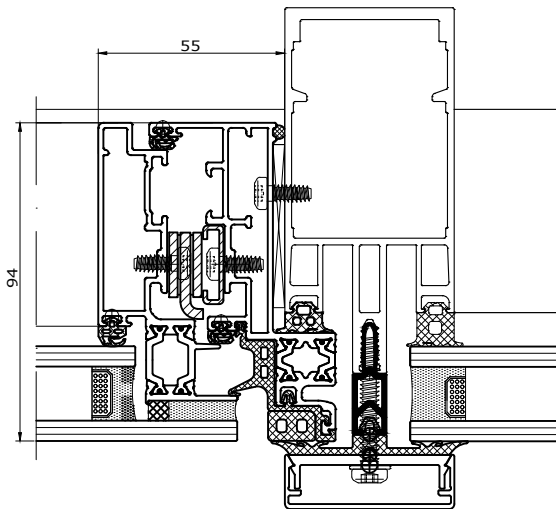


comar

ARCHITECTURAL ALUMINIUM SYSTEMS

Concealed vent overview

Comar 6EFT



8.00

Copyright and ownership of this drawing is vested in EFT, Euro Facade Systems Ltd, whose prior written consent is required for its use, reproduction or for publication to any third party. All other rights reserved. Subject to modifications.

Integrates into:

Fully capped Curtain Walling
2 sided with vertical capping
(2sided SGV)

Integrates into:

2 sided with horizontal capping
(2sided SGH)
4 sided structural glazing
(4sided SG)

Limitations

	Max. width	Max. height	Min. width	Max. weight
Top project	dependant on locking	2500mm	450mm mullion cts	180kg
Side project	838mm	dependant on locking	350mm mullion cts	55kg

Notes:

1. Vents either side of a faceted mullion may be possible depending on the angle, contact Comar's technical department for advice.
2. A minimum of a 60mm transom (Ref:1150) must be used above and below where a concealed vent is to be positioned.
3. For width / height / weight combination options, please contact Comar's technical department.

Changes reserved
Sous reserve de modifications
Änderungen vorbehalten

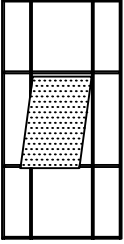
Issue: 05
Date: 10-16

Typical details

8

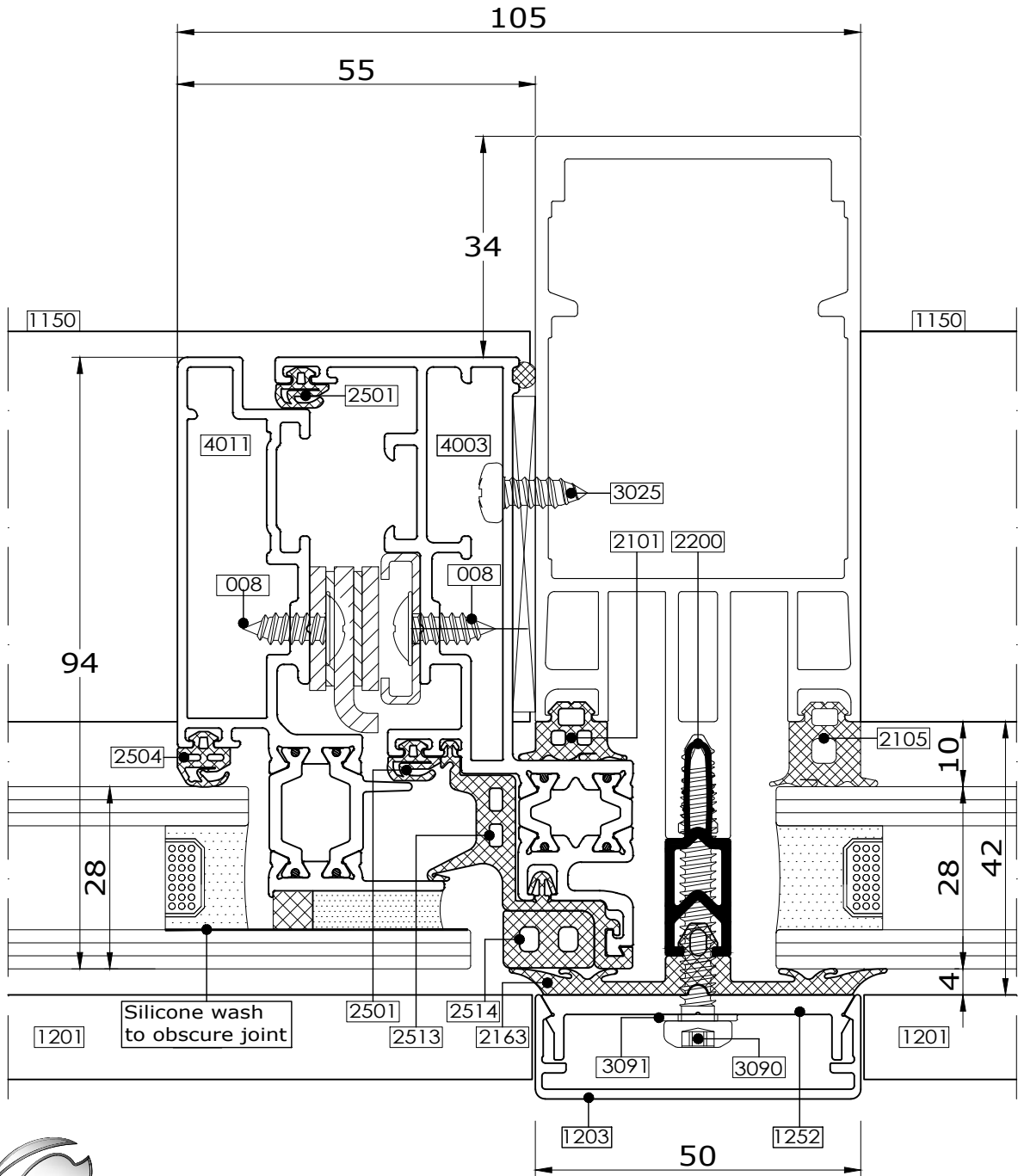
Comar 6EFT

Mullion detail with Concealed Vent Fully Capped Curtain Wall



8.01

Fabricators Guide



Copyright and ownership of this drawing is vested in EFT, Euro Facade Systems Ltd, whose prior written consent is required for its use, reproduction or for publication to any third party. All other rights reserved. Subject to modifications.

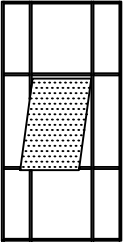


comar
ARCHITECTURAL ALUMINIUM SYSTEMS

Changes reserved
Sous reserve de modifications
Änderungen vorbehalten

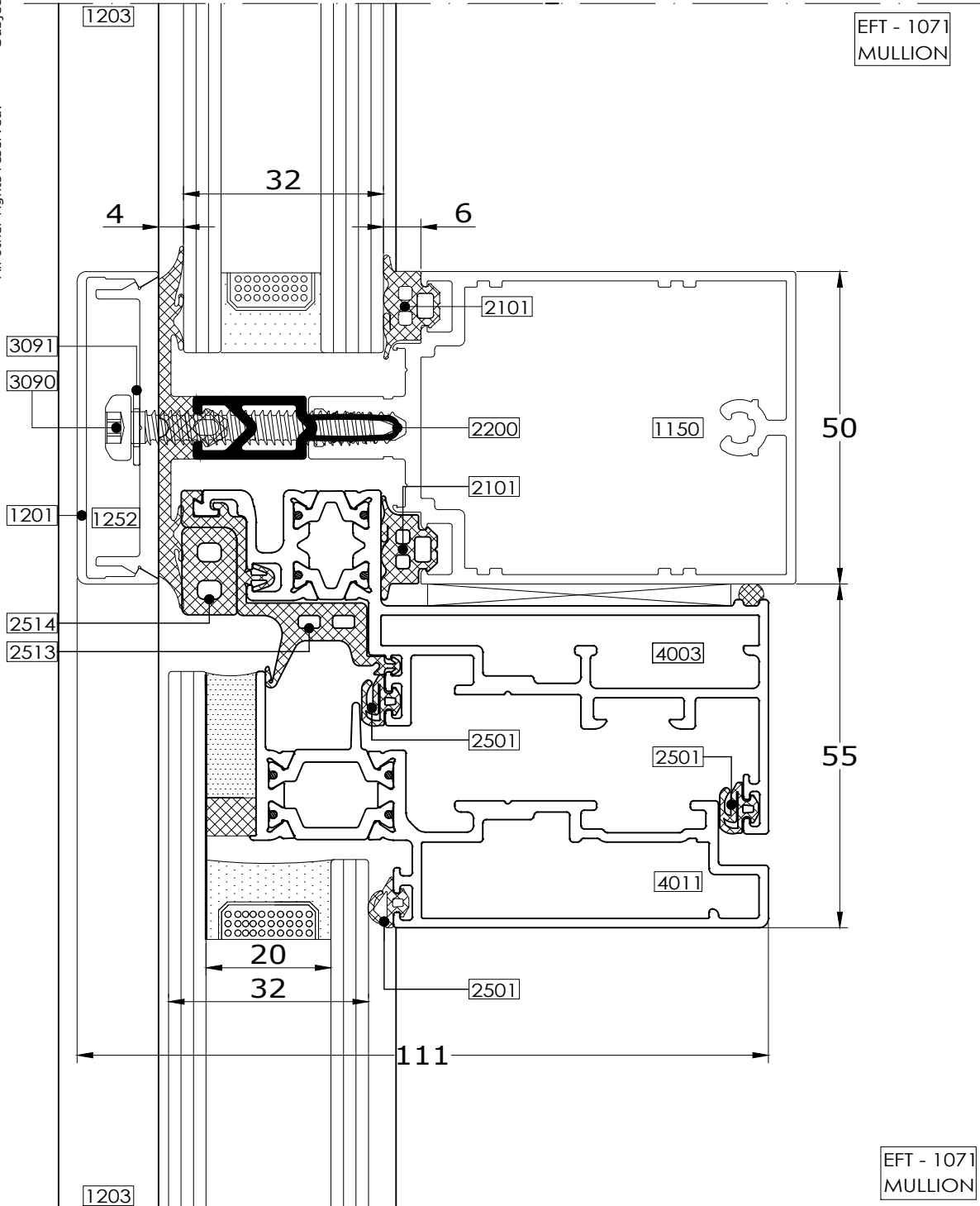
Issue: 05
Date: 10-16

Transom detail with
Concealed Vent
Fully Capped Curtain Wall



8.02

Copyright and ownership of this drawing is vested in EFT, Euro Facade Systems Ltd, whose prior written consent is required for its use, reproduction or for publication to any third party. All other rights reserved. Subject to modifications.



Fabricators Guide

Changes reserved
Sous reserve de modifications
Änderungen vorbehalten

Issue: 05
Date: 10-16



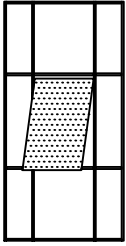
comar
ARCHITECTURAL ALUMINIUM SYSTEMS

Typical details

8

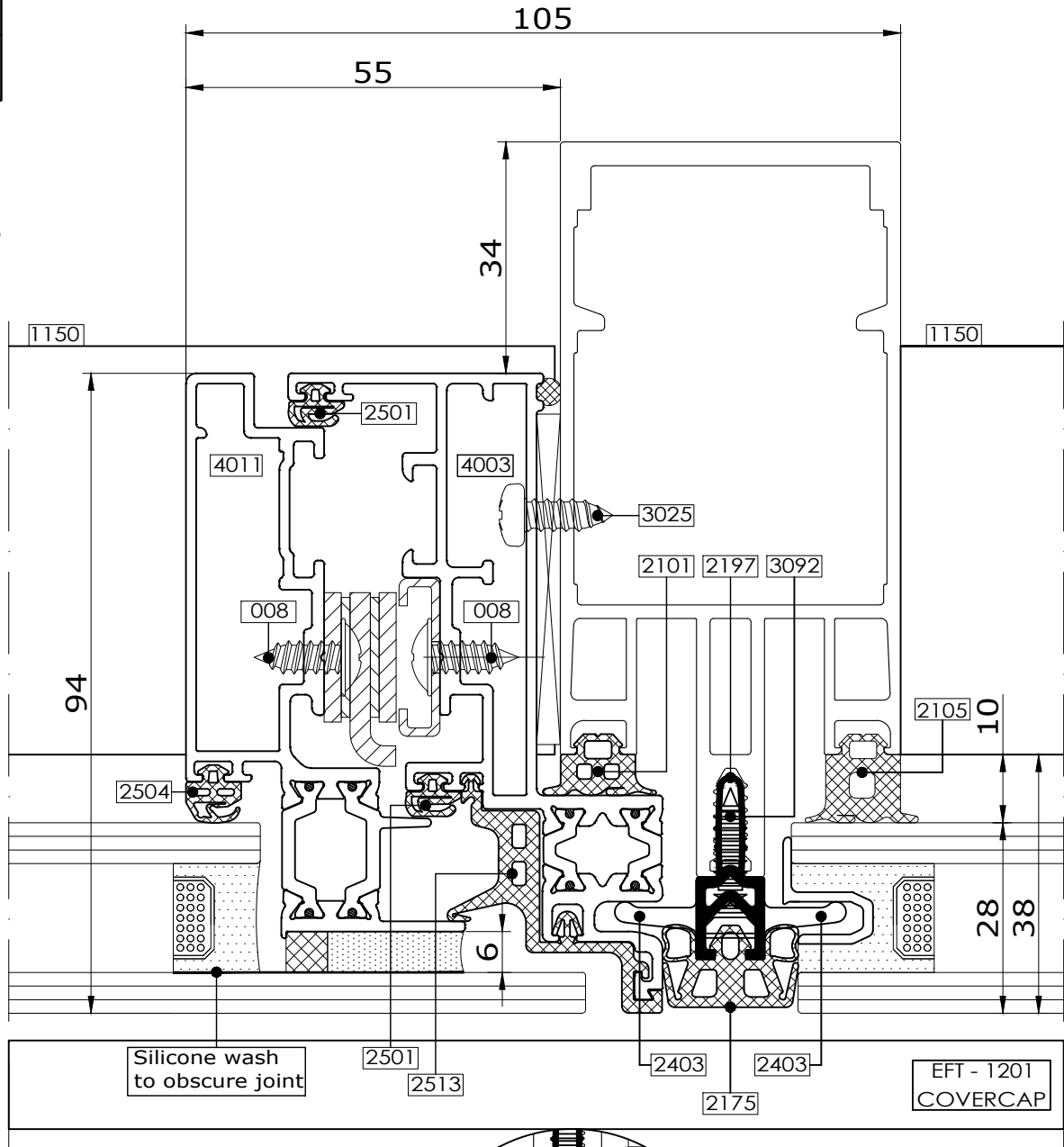
Comar 6EFT

Mullion detail with
Concealed Vent
2sided SGH

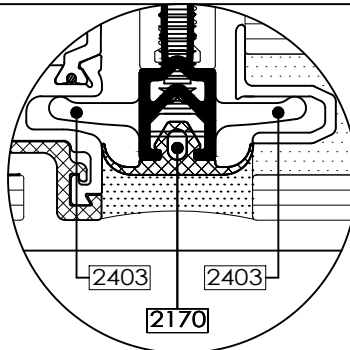


8.03

Fabricators Guide



Silicone seal
also available
using gasket
2170



Copyright and ownership of this drawing is vested in EFT,
Euro Facade Systems Ltd, whose prior written consent is required
for its use, reproduction or for publication to any third party.
All other rights reserved. Subject to modifications.

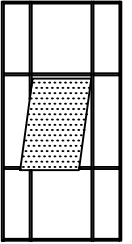


comar
ARCHITECTURAL ALUMINIUM SYSTEMS

Changes reserved
Sous reserve de modifications
Änderungen vorbehalten

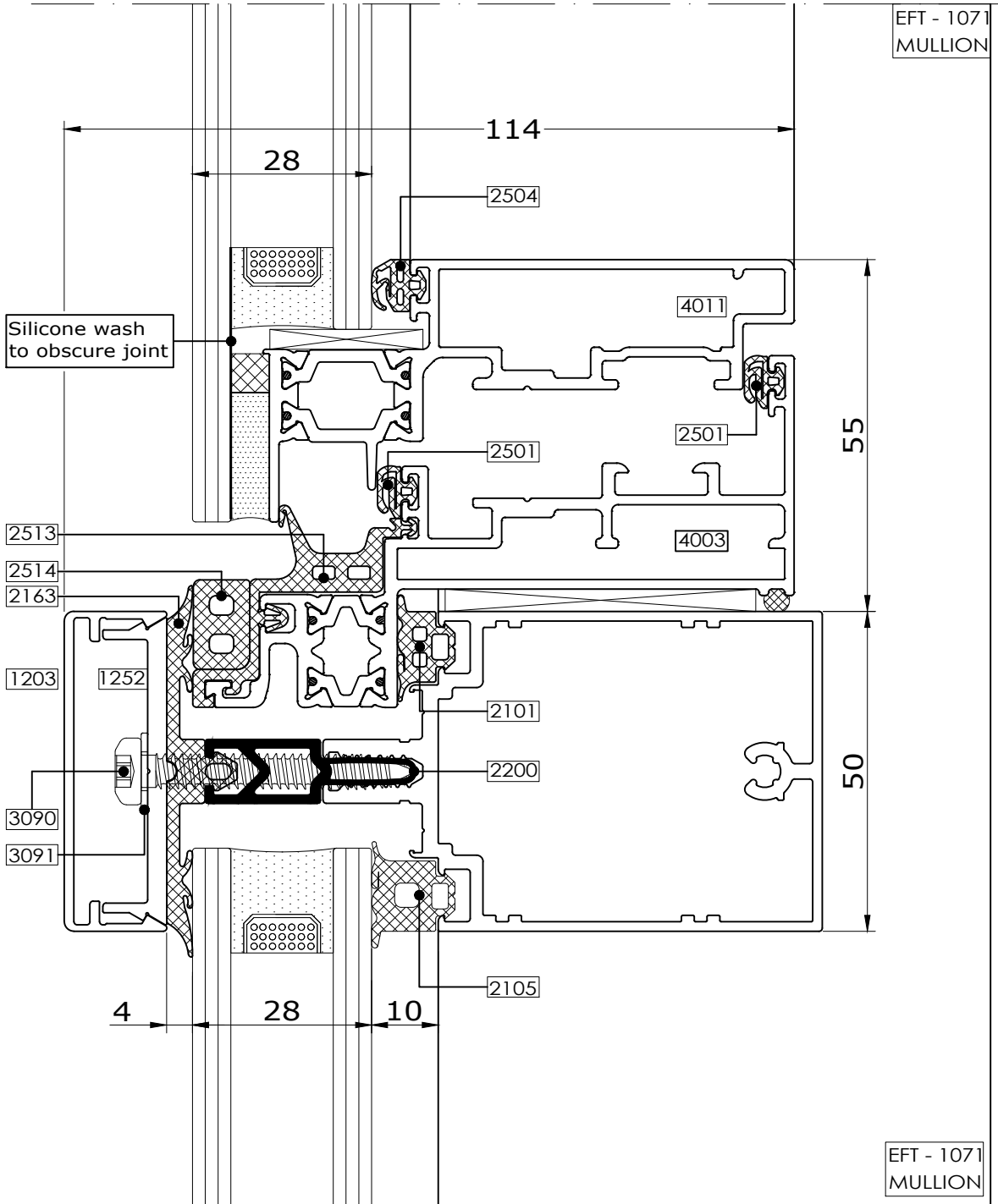
Issue: 05
Date: 10-16

Transom detail with
Concealed Vent
2sided SGH



8.04

Copyright and ownership of this drawing is vested in EFT,
Euro Facade Systems Ltd, whose prior written consent is required
for its use, reproduction or for publication to any third party.
All other rights reserved. Subject to modifications.



Changes reserved
Sous reserve de modifications
Änderungen vorbehalten

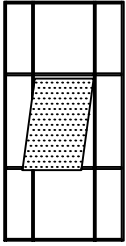
Issue:05
Date: 10-16

Typical details

8

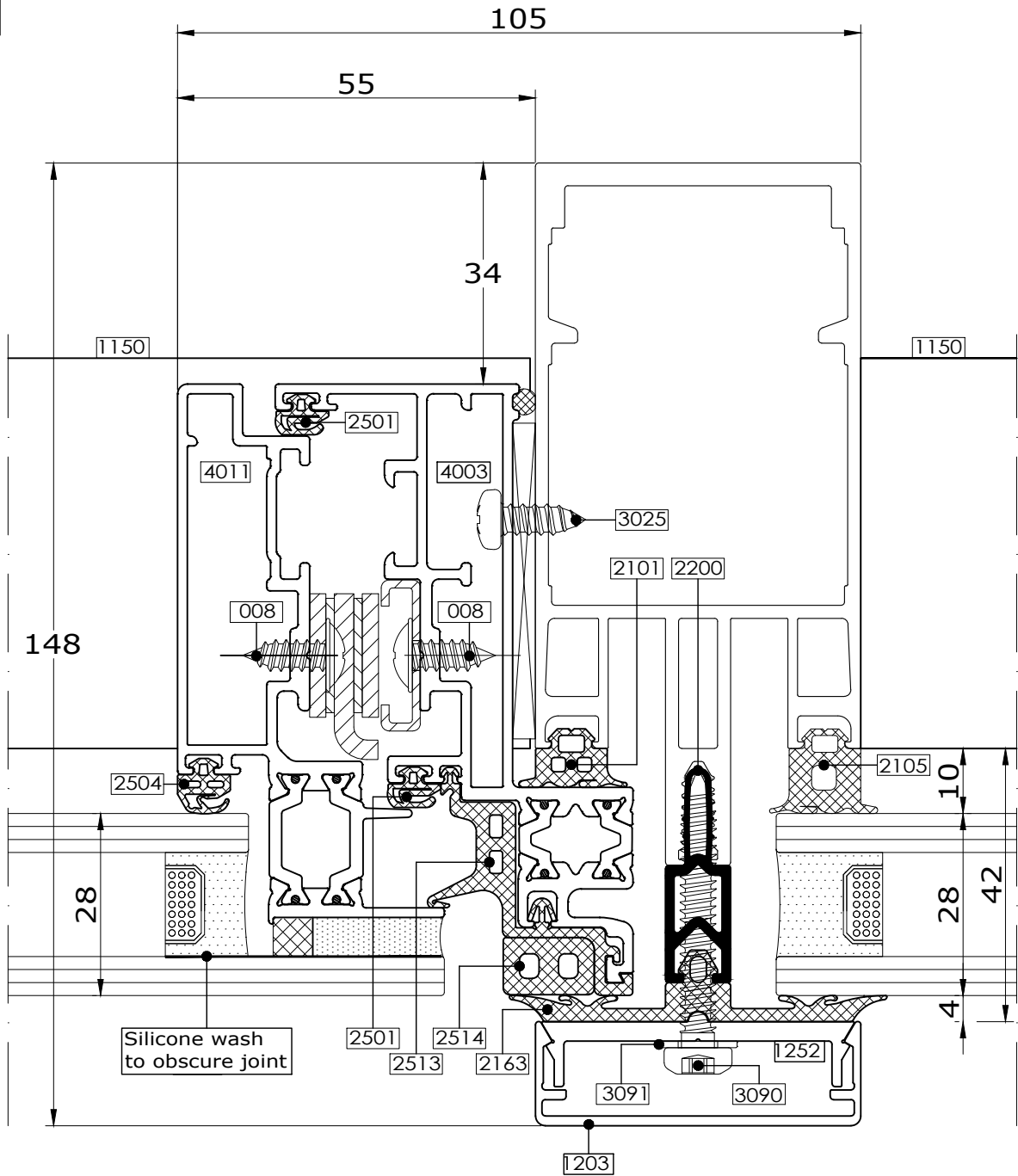
Comar 6EFT

Mullion detail with Concealed Vent 2sided SGV



8.05

Fabricators Guide



Copyright and ownership of this drawing is vested in EFT, Euro Facade Systems Ltd, whose prior written consent is required for its use, reproduction or for publication to any third party. All other rights reserved. Subject to modifications.

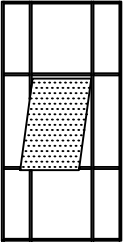


comar
ARCHITECTURAL ALUMINIUM SYSTEMS

Changes reserved
Sous reserve de modifications
Änderungen vorbehalten

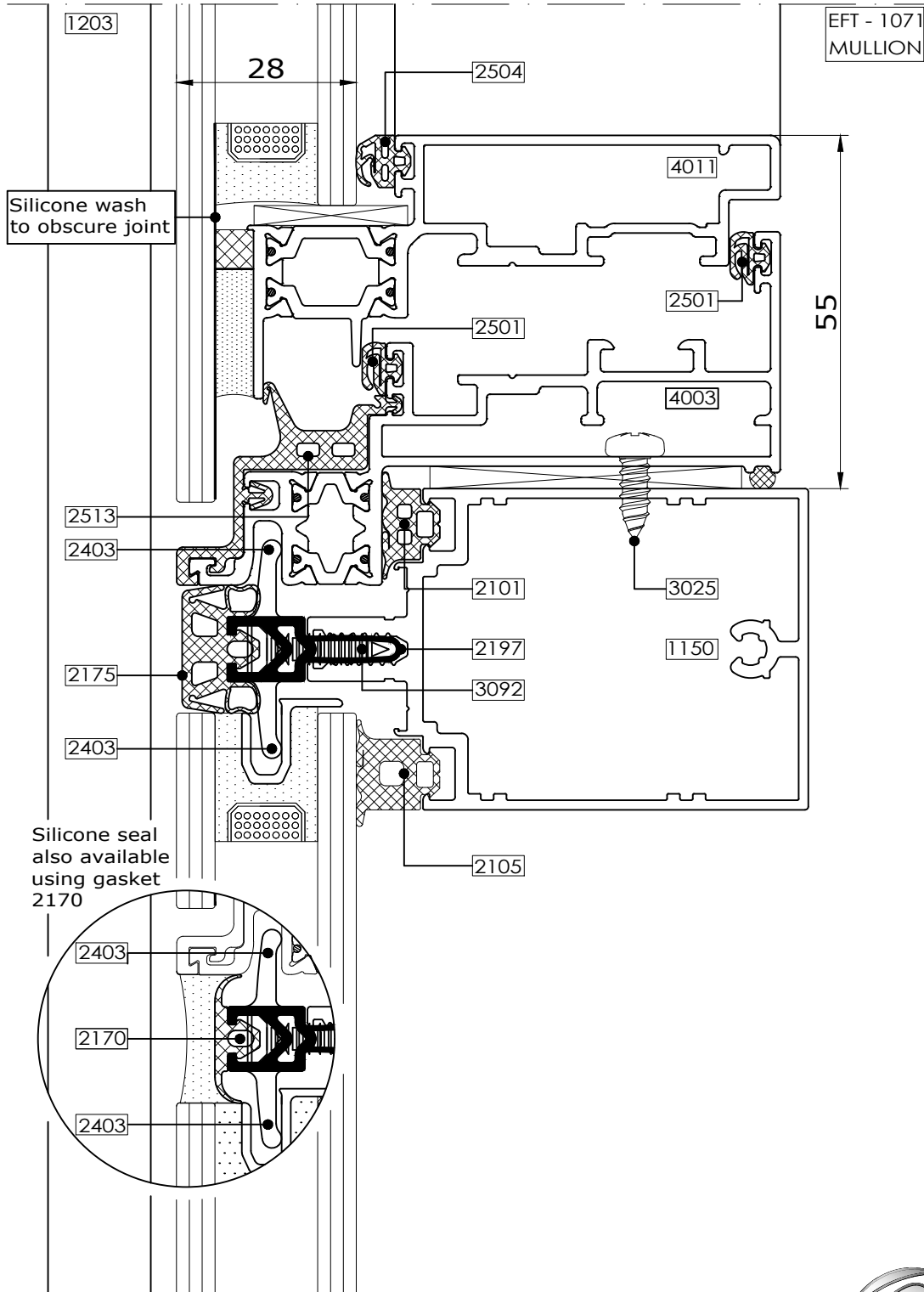
Issue: 05
Date: 10-16

Transom detail with
Concealed Vent
2sided SGV



8.06

Copyright and ownership of this drawing is vested in EFT,
Euro Facade Systems Ltd, whose prior written consent is required
for its use, reproduction or for publication to any third party.
All other rights reserved. Subject to modifications.



Changes reserved
Sous reserve de modifications
Änderungen vorbehalten

Issue:05
Date: 10-16

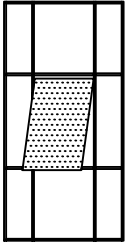


Typical details

8

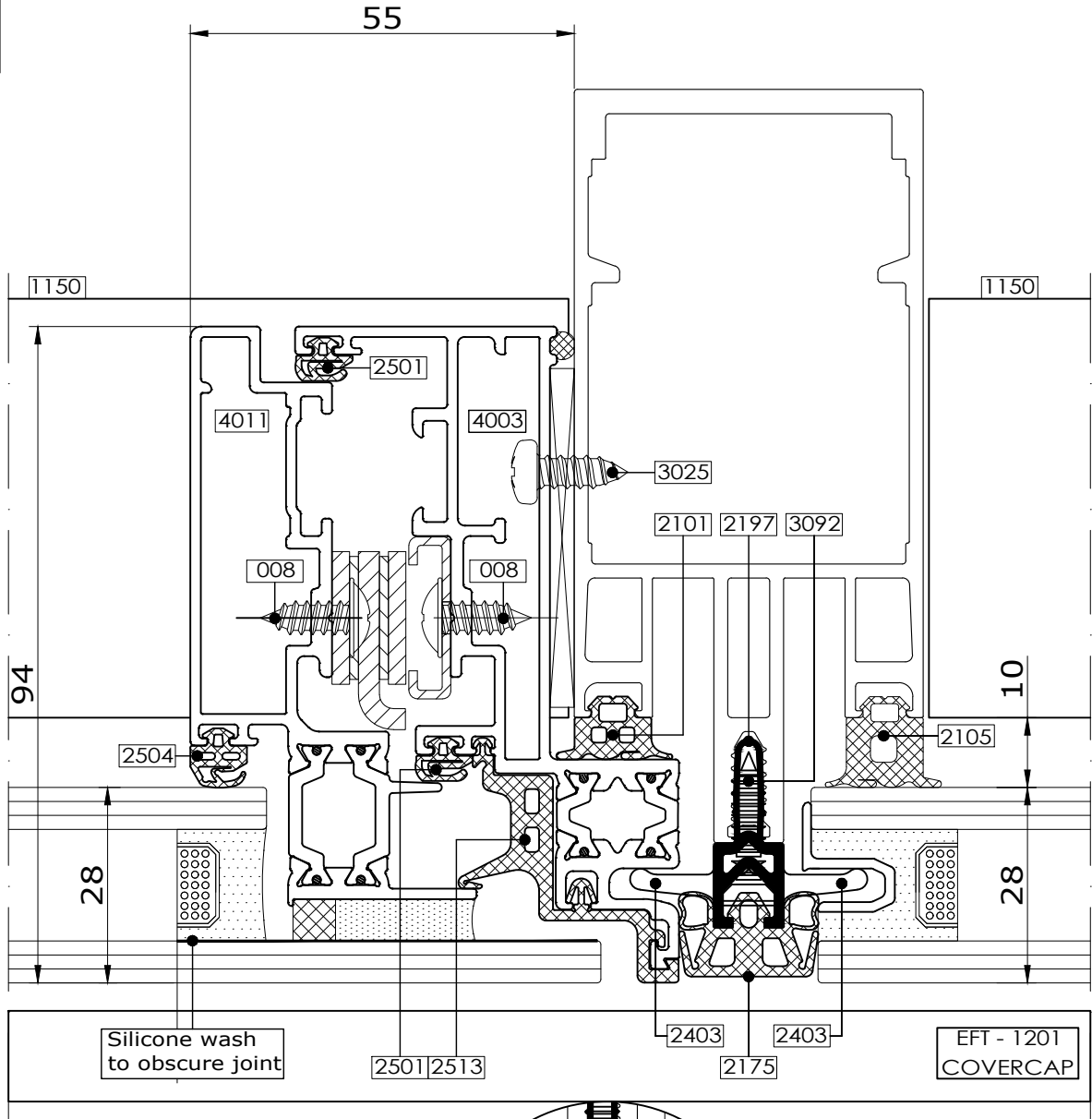
Comar 6EFT

Mullion detail with Concealed Vent 4sided SG

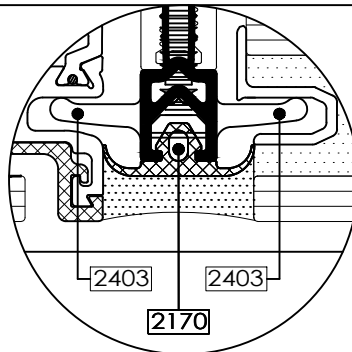


8.07

Fabricators Guide



Silicone seal
also available
using gasket
2170



Copyright and ownership of this drawing is vested in EFT,
Euro Facade Systems Ltd, whose prior written consent is required
for its use, reproduction or for publication to any third party.
All other rights reserved. Subject to modifications.

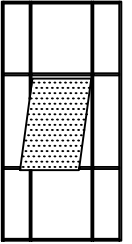


comar
ARCHITECTURAL ALUMINIUM SYSTEMS

Changes reserved
Sous reserve de modifications
Änderungen vorbehalten

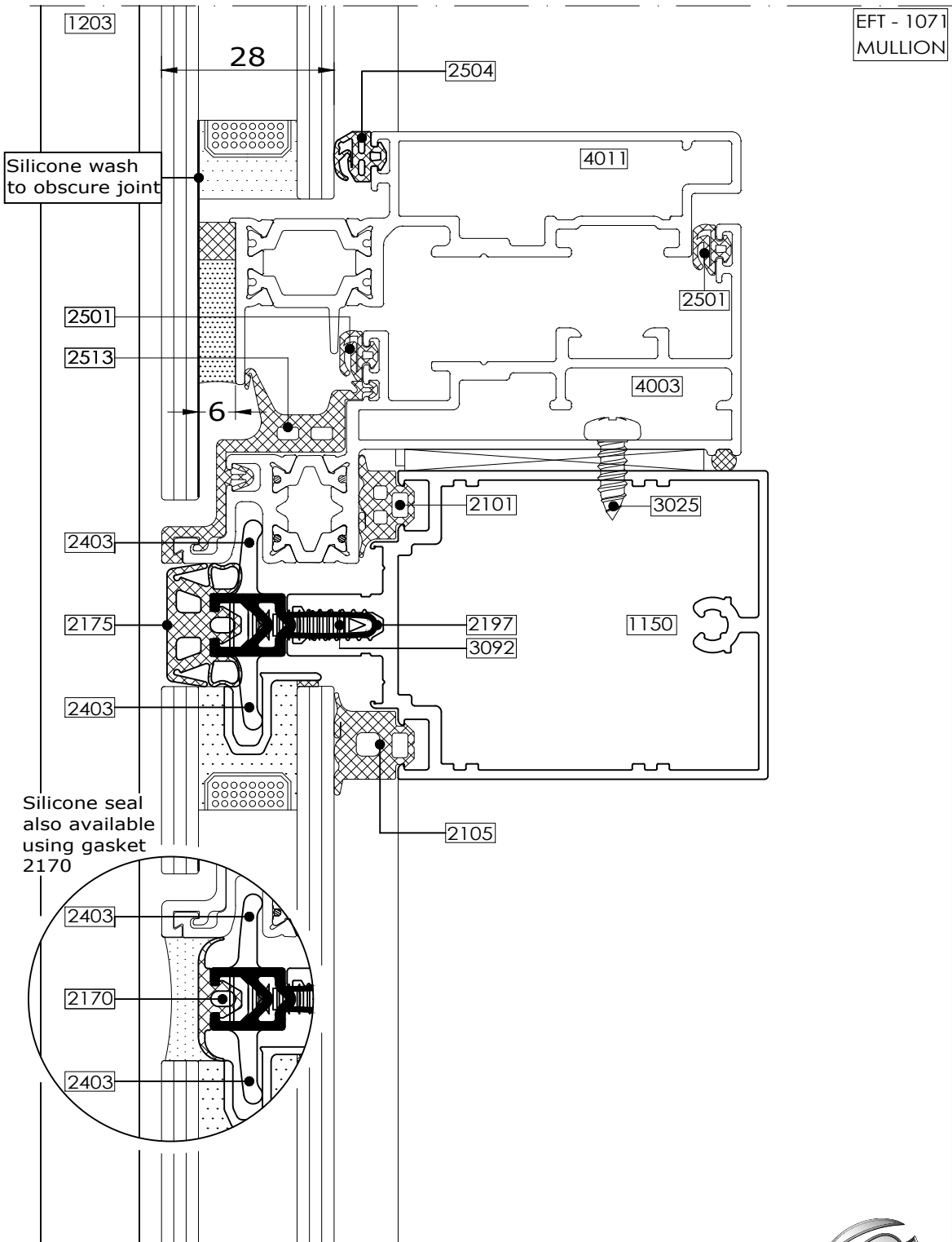
Issue: 05
Date: 10-16

Transom detail with
Concealed Vent
4sided SG



8.08

Copyright and ownership of this drawing is vested in EFT,
Euro Facade Systems Ltd, whose prior written consent is required
for its use, reproduction or for publication to any third party.
All other rights reserved. Subject to modifications.



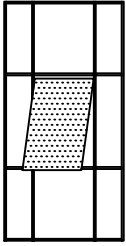
Changes reserved
Sous reserve de modifications
Änderungen vorbehalten

Issue:05
Date: 10-16



Comar 6EFT

Future Additions



8.09 - 8.29

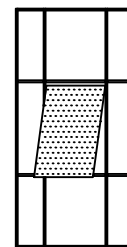
Fabricators Guide

FUTURE ADDITION

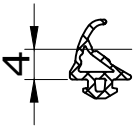
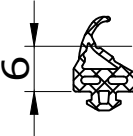
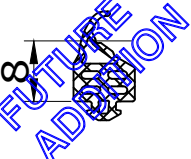
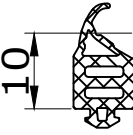
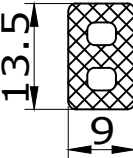

Copyright and ownership of this drawing is vested in EFT, Euro Facade Systems Ltd, whose prior written consent is required for its use, reproduction or for publication to any third party. All other rights reserved. Subject to modifications.

EPDM gaskets

Copyright and ownership of this drawing is vested in EFT, Euro Facade Systems Ltd, whose prior written consent is required for its use, reproduction or for publication to any third party. All other rights reserved. Subject to modifications.

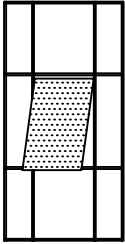


8.30

Illustration	Description	
	2501 Window seal (EFT - 4011) Material: EPDM Colour: Black Packing unit: 100 m Standard depth: 4mm	
	2504 Window seal (EFT - 4011) Material: EPDM Colour: Black Packing unit: 100 m Standard depth: 6mm	
	2508 Window seal (EFT - 4011) Material: EPDM Colour: Black Packing unit: 300 m Standard depth: 8mm	
	2510 Window seal (EFT - 4011) Material: EPDM Colour: Black Packing unit: 100 m Standard depth: 10mm	
	2514 Window fill block (EFT - 4003) Material: EPDM Colour: Black Packing unit: 50 m Standard depth: 9mm	
	2518 Window seal (EFT - 4011) Material: EPDM Colour: Black Packing unit: 300 m Standard depth: 2mm	

Changes reserved
Sous reserve de modifications
Änderungen vorbehalten

Issue: 05
Date: 10-16



8.31

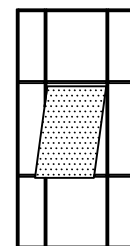
Fabricators Guide

Illustration	Description	Illustration	Description
	<p>2513 Window air seal (EFT 4003)</p> <p>30 mm</p> <p>Material: EPDM Colour: Black Packing Quantity: 50 mts</p>		<p>2613 Window air seal moulded corner (EFT 4003)</p> <p>45 mm x 45mm</p> <p>Material: EPDM Colour: Black Packing Quantity: 10</p>

Copyright and ownership of this drawing is vested in EFT, Euro Facade Systems Ltd, whose prior written consent is required for its use, reproduction or for publication to any third party. All other rights reserved. Subject to modifications.



Corner crimping cleats

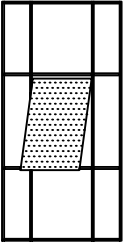


8.32

Illustration	Description	Side View
<p>45.5</p>	<p>2530 R Corner cleat</p> <p>45.5 mm (EFT 4011)</p> <p>Profile: CS246 Material: Aluminium Finish: Mill</p> <p>Packing Quantity: 10 pcs</p>	
<p>60.0</p>	<p>2535 R Corner cleat</p> <p>60.0 mm (EFT 4011)</p> <p>Profile: 1431 Material: Aluminium Finish: Mill</p> <p>Packing Quantity: 10 pcs</p>	

Comar 6EFT

Future Additions



8.33

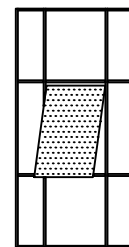
Fabricators Guide

FUTURE ADDITION

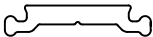
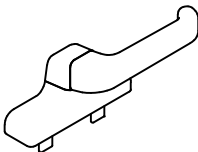


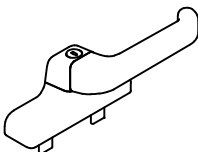
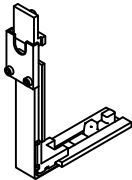
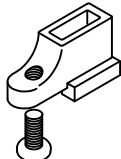
Copyright and ownership of this drawing is vested in EFT, Euro Facade Systems Ltd, whose prior written consent is required for its use, reproduction or for publication to any third party. All other rights reserved. Subject to modifications.

Concealed vent hardware

Comar 6EFT

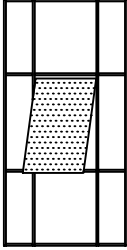


8.34

Illustration	Description	Illustration	Description
	<p>1340 Lock rod (EFT 4011)</p> <p>Material: Polyamide Colour: Black</p> <p>Packing unit: 5 pcs. Standard length: 4 m</p>		<p>5007 Handle - Non locking</p> <p>Colours: White, silver, black</p> <p>Materials:</p> <ul style="list-style-type: none"> • Die-cast aluminium handle • Cremone case, gear • Die cast zamak racks, sliding elements & misalignment block • Hostaform internal protection & terminal board • Steel spring • Stainless steel screw & fixing plate. <p>Packing unit: 1 pcs.</p>
	<p>5001 Curtain wall striker</p> <p>Material: Aluminium Colour: Mill</p> <p>Packing unit: 20</p>		
	<p>5002 Adjustable pawl</p> <p>Material: Zamak base & pawl. Stainless steel screws</p> <p>Packing unit: 20</p>		<p>5008 Handle - Locking</p> <p>Colours: White, silver, black</p> <p>Materials:</p> <ul style="list-style-type: none"> • Die-cast aluminium handle • Cremone case, gear • Die cast zamak racks, sliding elements & misalignment block • Hostaform internal protection & terminal board • Steel spring • Stainless steel screw & fixing plate. <p>Packing unit: 1 pcs.</p>
	<p>5003 Corner cleat</p> <p>Material: Zamak body & hand. Stainless steel grub screws and plates</p> <p>Packing unit: 10</p>		
	<p>5004 Connection block</p> <p>Material: White galvanised zamak. White galvanised steel fixing screw</p> <p>Packing unit: 10</p>		

Comar 6EFT

Friction hinges details



NOTE: VENTS OF 100 KG MUST BE FITTED WITH CAM ADJUSTMENT DEVICES, WHICH ARE OPTIONAL ON LIGHTER VENTS. SEPARATE RESTRICTORS, VENT HOLDING DEVICES OR AN OPERATING MECHANISM MAY BE REQUIRED TO HOLD LARGE VENTS IN A SELECTED VENTILATION POSITION AGAINST VARIABLE WIND PRESSURE.

8.35

RESTRICTORS:	
•	HN013XSLF
•	HN014XSLF
•	HN015XSLF
•	HN016XSLF
•	HN018XSLF
•	HN020XSLF

Note: For Max. Sash Width please contact the Comar Technical Dept.

HINGE TYPE	HINGE REF.	HINGE SIZE, in/mm	MINIMUM WIDTH*, mm	MINIMUM HEIGHT*, mm	MAXIMUM WIDTH*, mm	MAXIMUM HEIGHT*, mm	MAXIMUM WEIGHT**,kg
DEFENDER							
TOP/PROJ CS955 CS956/ CS957	HN025XSLF	12"/310	-	350	-	550	20
	HN026XSLF	16"/412	-	500	-	780	21
	HN027XSLF	20"/513	-	700	-	1100	26
	HN028XSLF	24"/615	-	850	-	1300	40
SIDE/PROJ CS955 CS956/ CS957	HN022XSLF	12"/310	300	-	600	-	22
	HN021XSLF	16"/412	400	-	700	-	24
DEFENDER PLUS							
SIDE/PROJ CS955 CS956/ CS957	HN516XSLF	16"/412	400	-	1000	-	40
DEFENDER EGRESS							
SIDE/PROJ CS955 CS956/CS957	HN038XSLF	12"/310	300	-	600	-	22
	HN039XSLF	16"/413	400	-	700	-	24
STERLING							
TOP/PROJ CS955/CS956/ CS957	HN505XSLF	22"/567	-	1090	-	1500	100
TOP/PROJ CS956/CS957	HN515XSLF	22"/567	-	1500	-	2000	100
	HN506XSLF	26"/680	-	2000	-	2500	180
SIDE/PROJ CS955 CS956/CS957	HN507XSLF	10"/262	300	-	660	-	38
	HN508XSLF	16"/415	450	-	838	-	55

* Sizes shown for window vents only.

** Maximum weights determined by manufacturers hardware options.

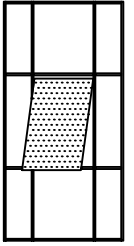
Copyright and ownership of this drawing is vested in EFT,
Euro Facade Systems Ltd, whose prior written consent is required
for its use, reproduction or for publication to any third party.
All other rights reserved. Subject to modifications.

Future Additions

8

Fabrication

Comar 6EFT



8.36

FUTURE
ADDITION

Fabricators Guide

Changes reserved
Sous reserve de modifications
Änderungen vorbehalten

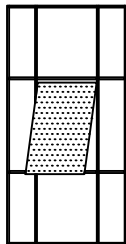
Issue: 05
Date: 10-16

Fabrication

8

Comar 6EFT

Future Additions



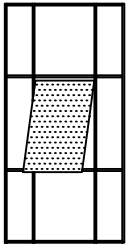
8.37 - 8.39

Fabricators Guide

FUTURE
ADDITION

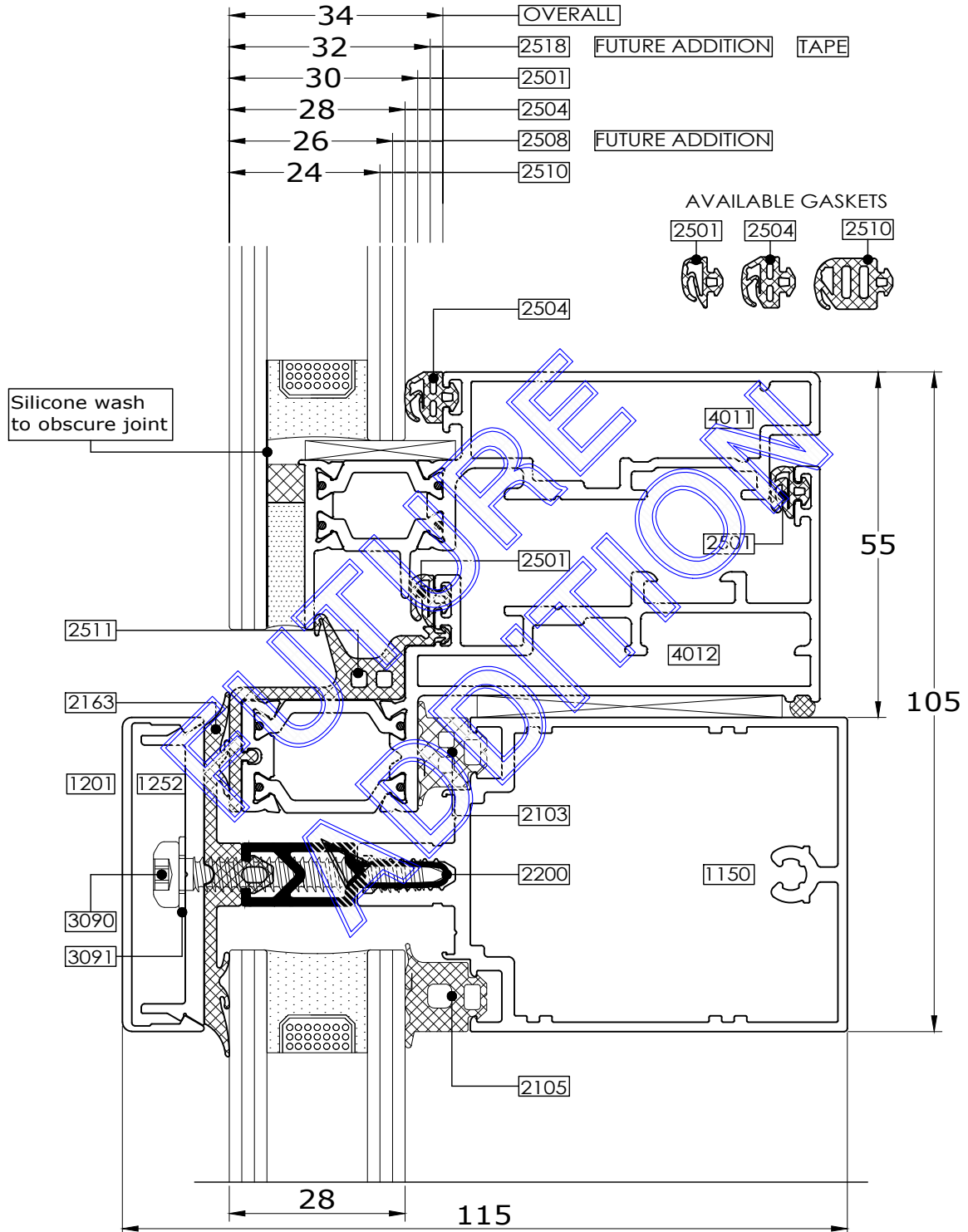
Copyright and ownership of this drawing is vested in EFT,
Euro Facade Systems Ltd, whose prior written consent is required
for its use, reproduction or for publication to any third party.
All other rights reserved. Subject to modifications.

Glazing chart
4011 / 4012



8.40

Copyright and ownership of this drawing is vested in EFT, Euro Facade Systems Ltd, whose prior written consent is required for its use, reproduction or for publication to any third party. All other rights reserved. Subject to modifications.



Fabricators Guide

Changes reserved
Sous reserve de modifications
Änderungen vorbehalten

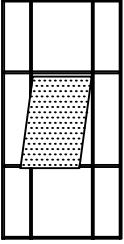
Issue: 05
Date: 10-16

Glazing charts

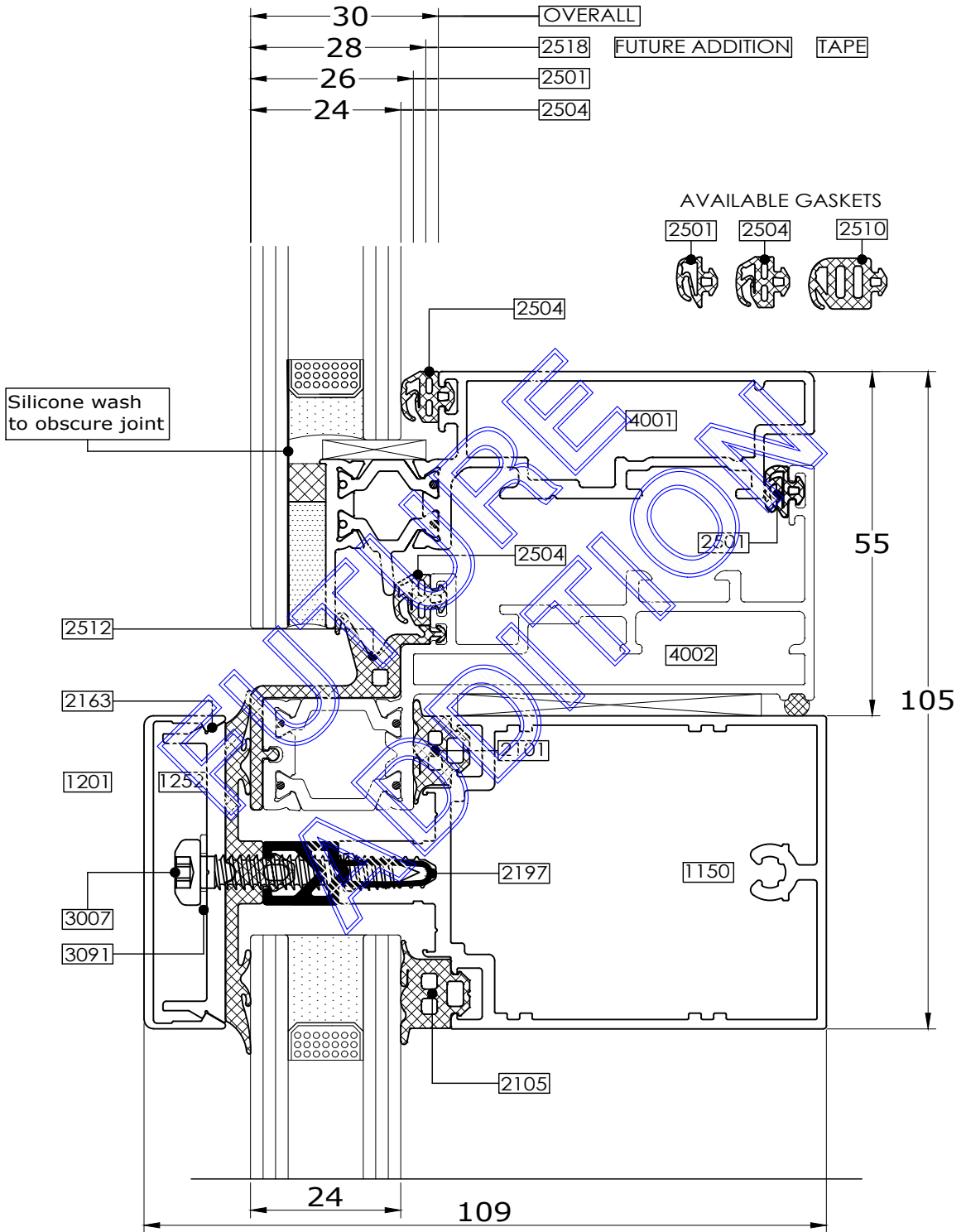
8

Comar 6EFT

Glazing chart
4001 / 4002



8.41



Fabricators Guide

Copyright and ownership of this drawing is vested in EFT, Euro Facade Systems Ltd, whose prior written consent is required for its use, reproduction or for publication to any third party. All other rights reserved. Subject to modifications.



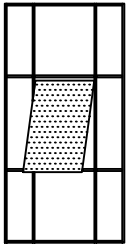
comar
ARCHITECTURAL ALUMINIUM SYSTEMS

Changes reserved
Sous reserve de modifications
Änderungen vorbehalten

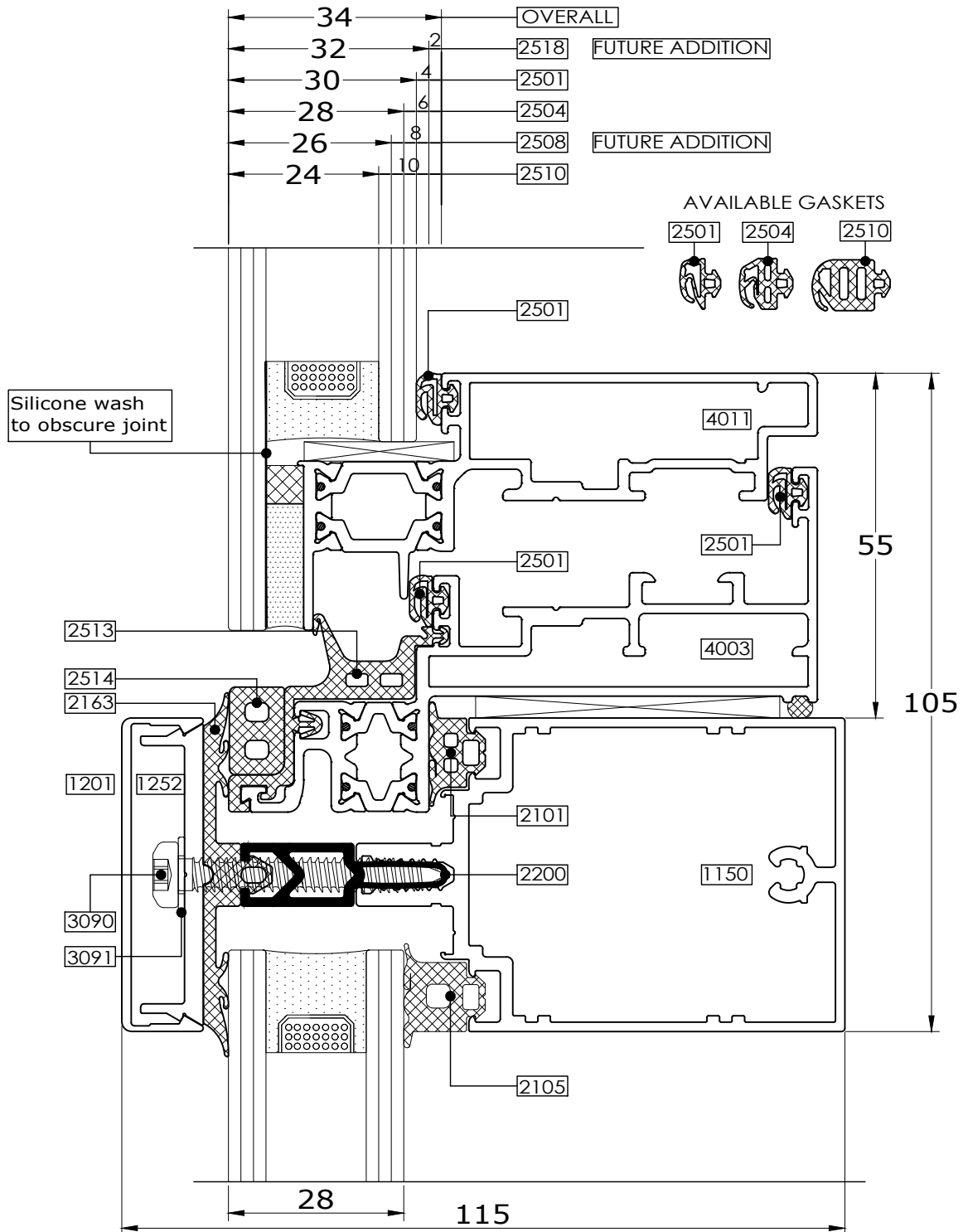
Issue: 05
Date: 10-16

Glazing chart - Capped
4003 / 4011

Comar 6EFT



8.42



Copyright and ownership of this drawing is vested in EFT, Euro Facade Systems Ltd, whose prior written consent is required for its use, reproduction or for publication to any third party. All other rights reserved. Subject to modifications.

Changes reserved
Sous reserve de modifications
Änderungen vorbehalten

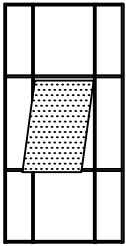
Issue: 05
Date: 10-16

Glazing charts

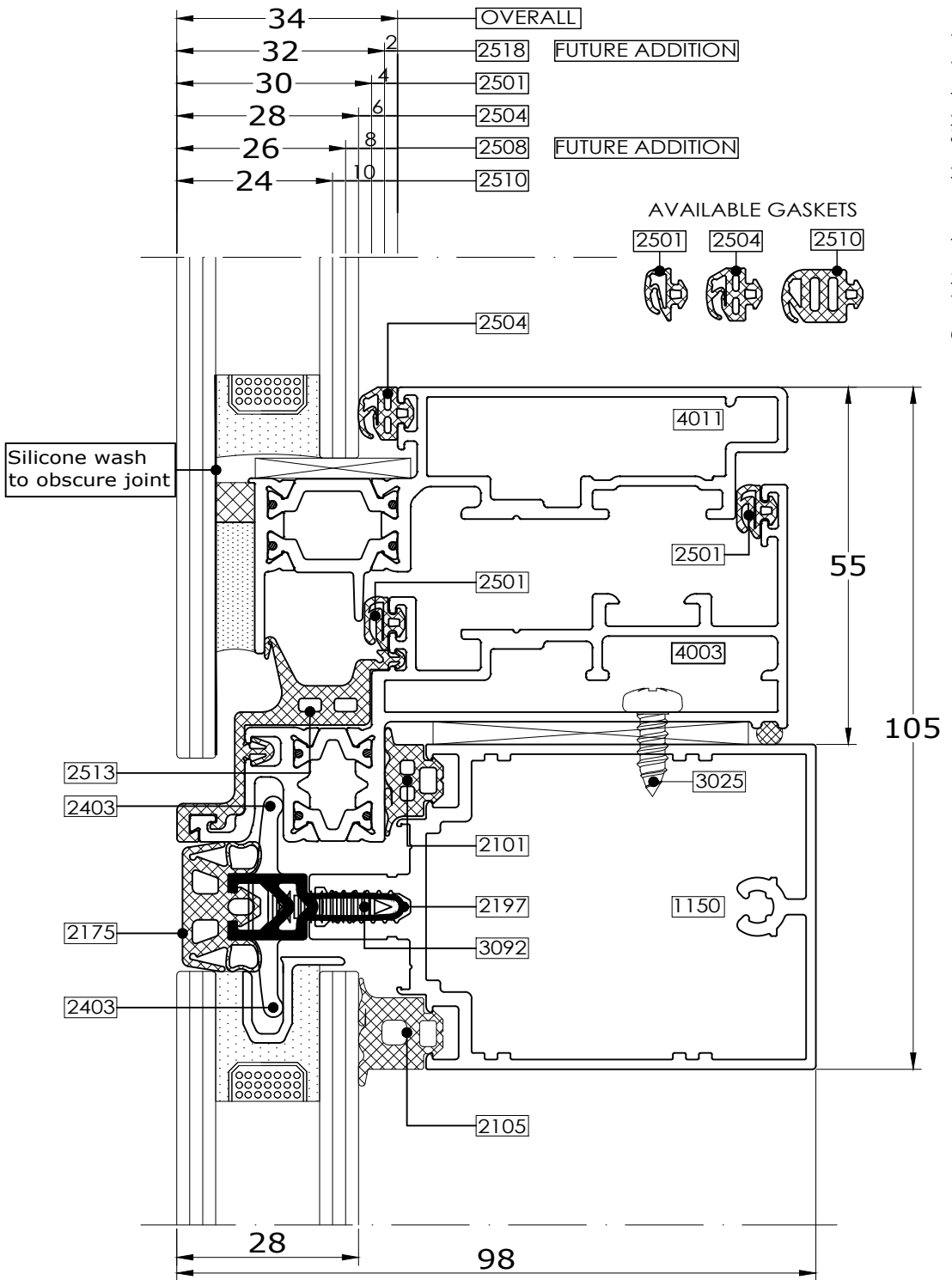
8

Comar 6EFT

Glazing chart - SG 4003 / 4011



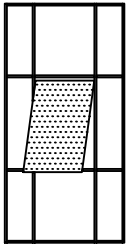
8.43



Copyright and ownership of this drawing is vested in EFT, Euro Facade Systems Ltd, whose prior written consent is required for its use, reproduction or for publication to any third party. All other rights reserved. Subject to modifications.

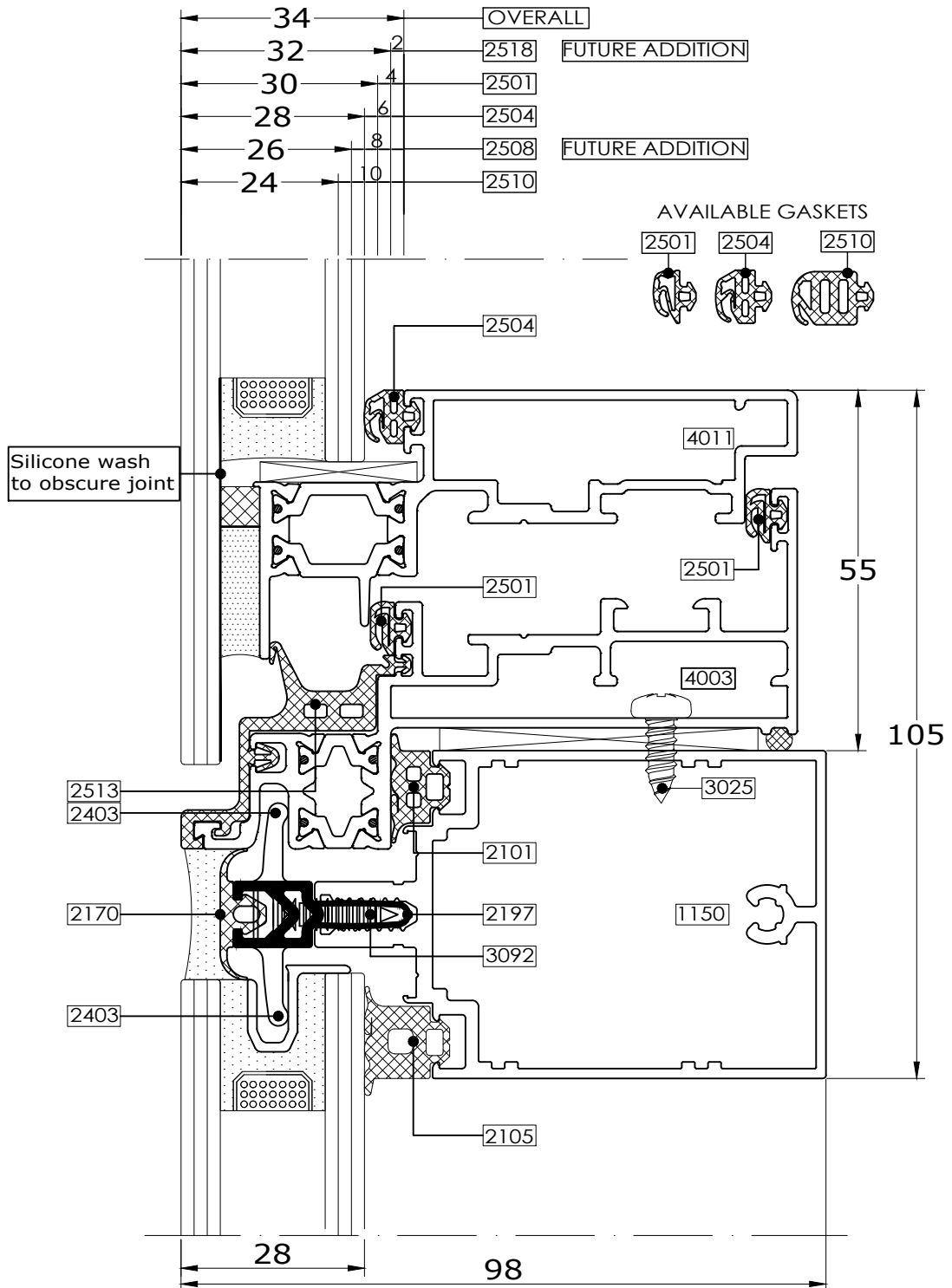
Fabricators Guide

Glazing chart - SG
4003 / 4011



8.44

Copyright and ownership of this drawing is vested in EFT, Euro Facade Systems Ltd, whose prior written consent is required for its use, reproduction or for publication to any third party. All other rights reserved. Subject to modifications.

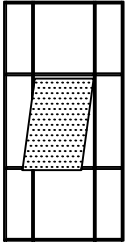


Changes reserved
Sous reserve de modifications
Änderungen vorbehalten

Issue: 05
Date: 10-16

Comar 6EFT

Future Additions



8.45 - 8.49

Fabricators Guide

FUTURE ADDITION

Copyright and ownership of this drawing is vested in EFT, Euro Facade Systems Ltd, whose prior written consent is required for its use, reproduction or for publication to any third party. All other rights reserved. Subject to modifications.

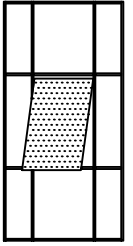
Copyright and ownership of this drawing is vested in EFT,
Euro Facade Systems Ltd, whose prior written consent is required
for its use, reproduction or for publication to any third party.
All other rights reserved. Subject to modifications.

Future Additions

8

Glazing charts

Comar 6EFT



8.50

FUTURE
ADDITION

Fabricators Guide

Changes reserved
Sous reserve de modifications
Änderungen vorbehalten

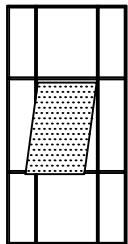
Issue: 05
Date: 10-16

Fabrication

8

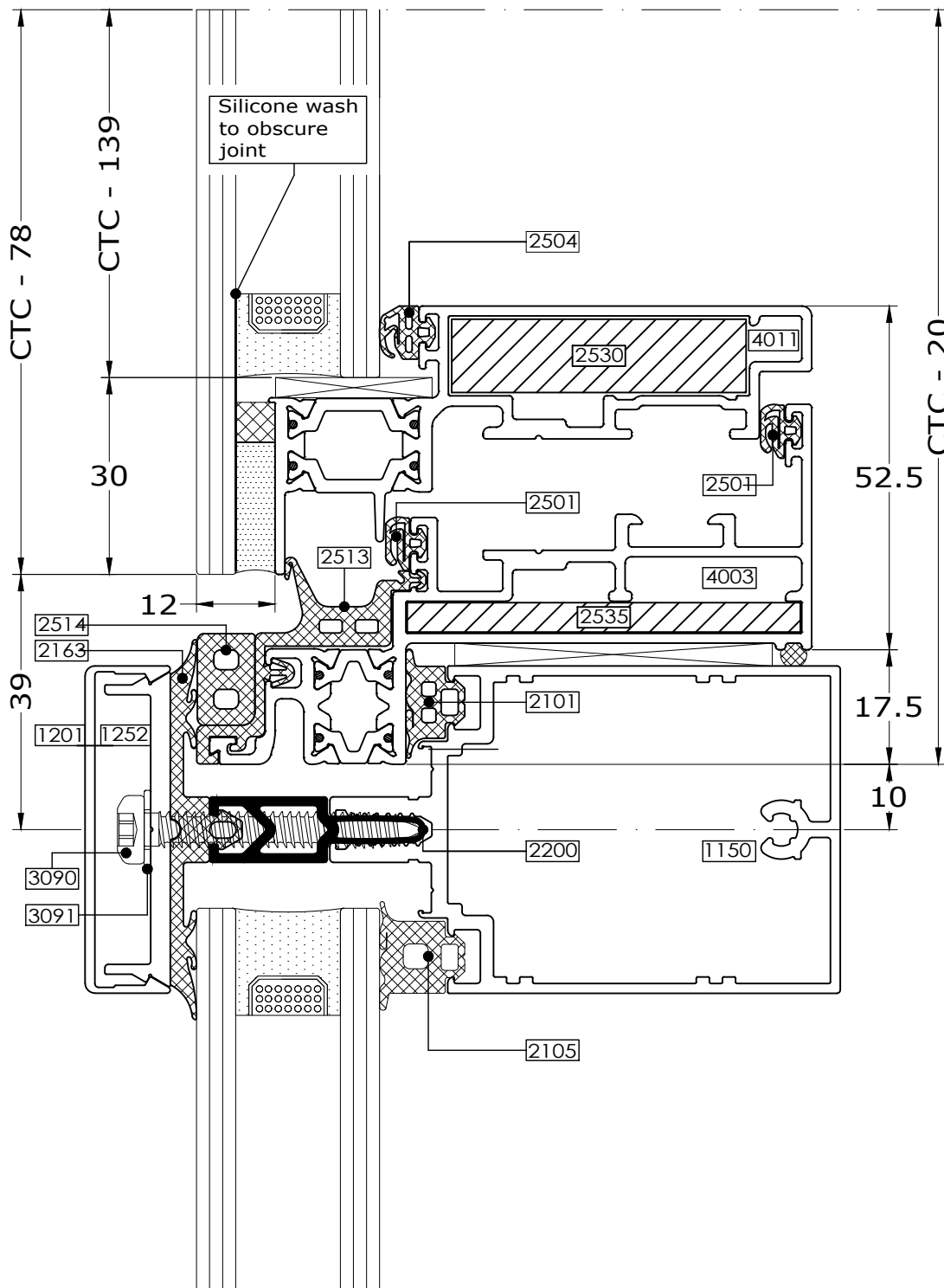
Comar 6EFT

Cutting sizes - 4003/4011 Capped



8.51

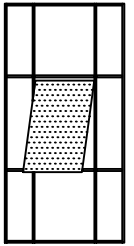
Fabricators Guide



Copyright and ownership of this drawing is vested in EFT, Euro Facade Systems Ltd, whose prior written consent is required for its use, reproduction or for publication to any third party. All other rights reserved. Subject to modifications.

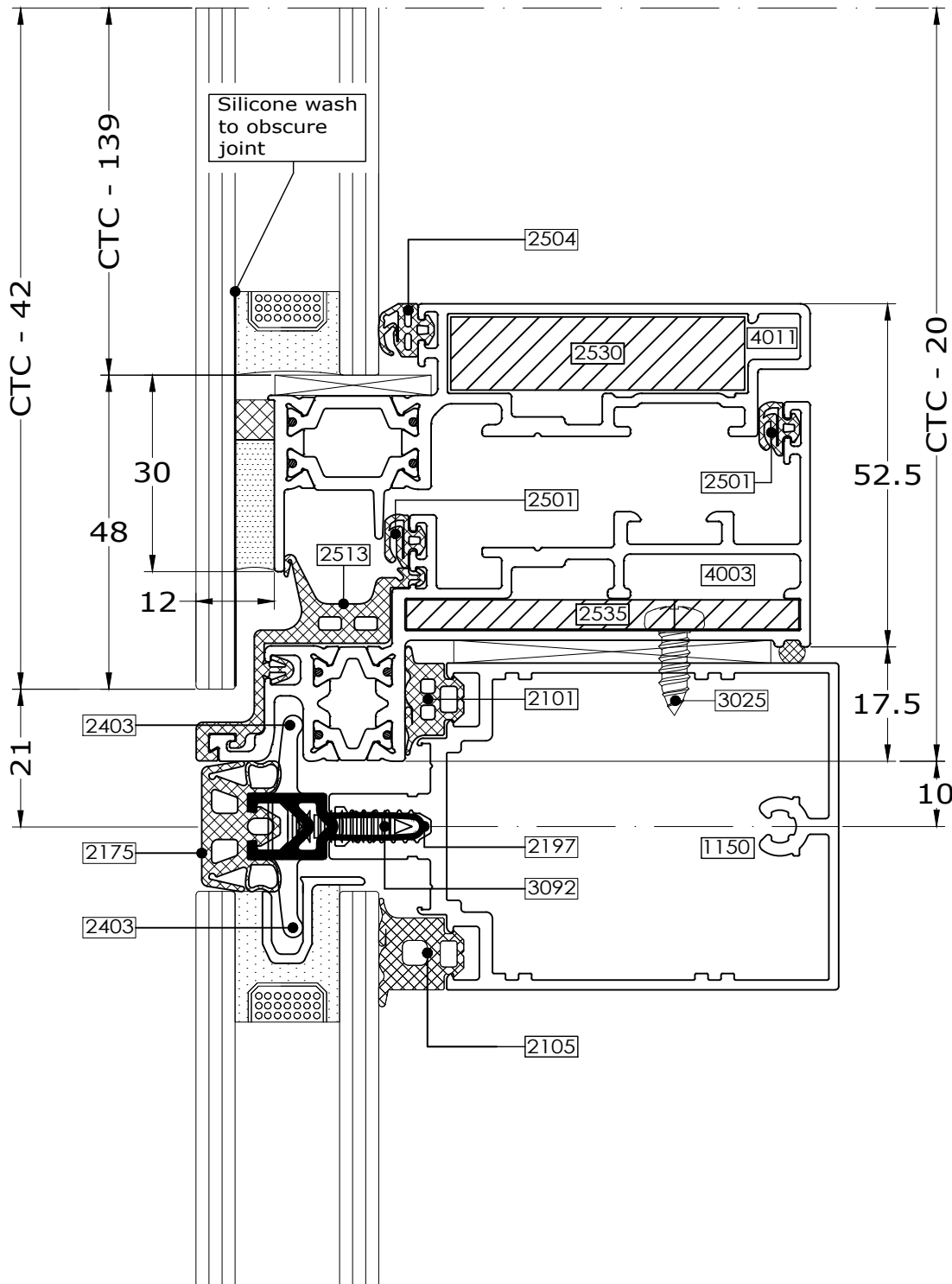
Cutting sizes - 4003 / 4011
SG

Comar 6EFT



8.52

Copyright and ownership of this drawing is vested in EFT, Euro Facade Systems Ltd, whose prior written consent is required for its use, reproduction or for publication to any third party. All other rights reserved. Subject to modifications.



Fabricators Guide

Changes reserved
Sous reserve de modifications
Änderungen vorbehalten

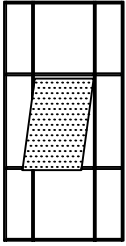
Issue: 05
Date: 10-16

Fabrication

8

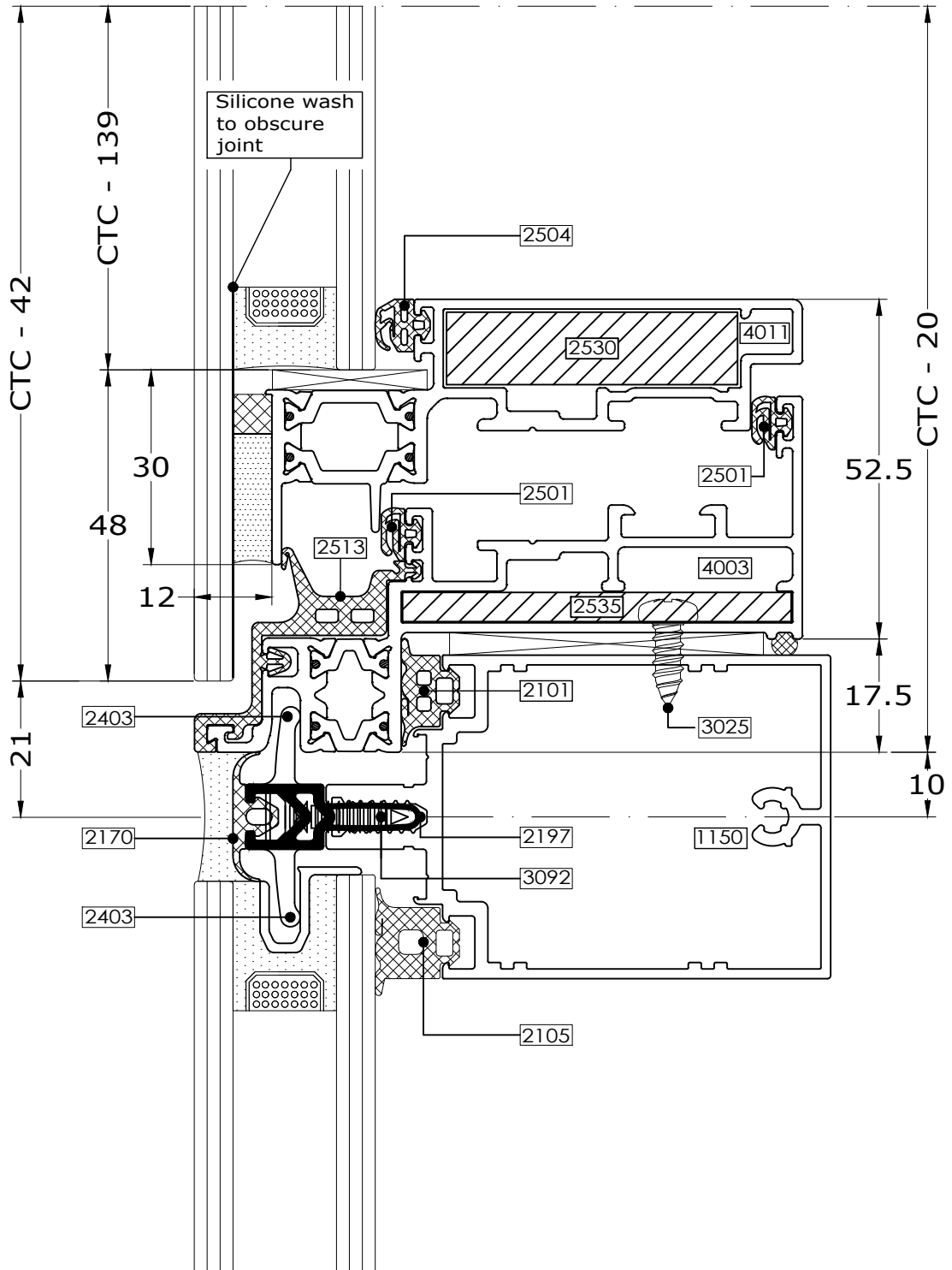
Comar 6EFT

Cutting sizes - 4003/4011
SG



8.53

Fabricators Guide



Copyright and ownership of this drawing is vested in EFT,
Euro Facade Systems Ltd, whose prior written consent is required
for its use, reproduction or for publication to any third party.
All other rights reserved. Subject to modifications.



comar
ARCHITECTURAL ALUMINIUM SYSTEMS

Changes reserved
Sous reserve de modifications
Änderungen vorbehalten

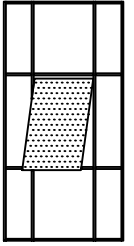
Issue: 05
Date: 10-16

Copyright and ownership of this drawing is vested in EFT, Euro Facade Systems Ltd, whose prior written consent is required for its use, reproduction or for publication to any third party. All other rights reserved. Subject to modifications.

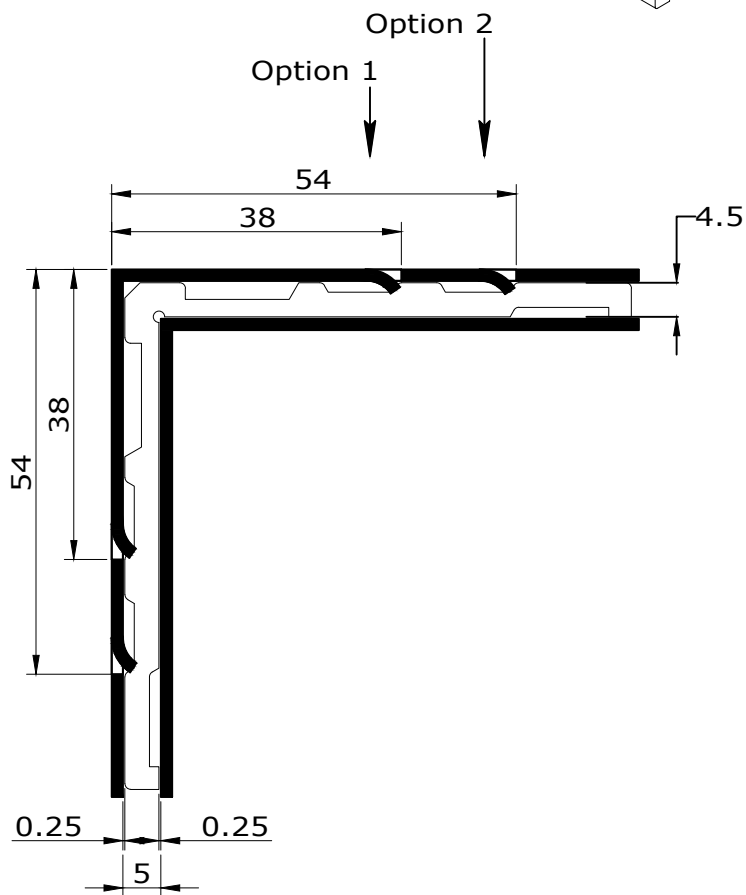
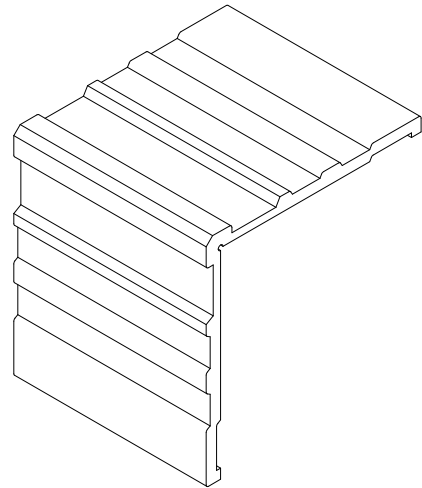
Crimping options Profile 1431

8 Fabrication

Comar 6EFT



8.54



Fabricators Guide

Changes reserved
Sous reserve de modifications
Änderungen vorbehalten

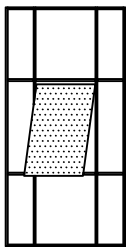
Issue: 05
Date: 10-16

Fabrication

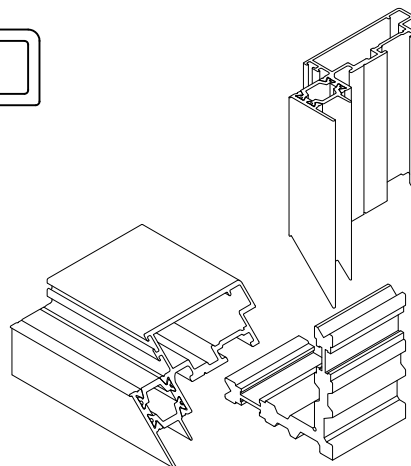
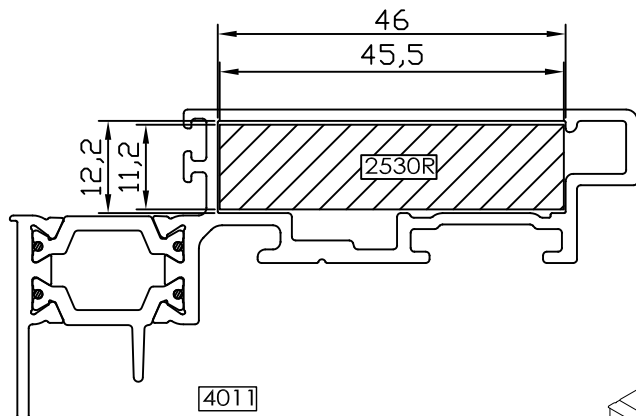
8

Comar 6EFT

Concealed vent sash crimping cleats

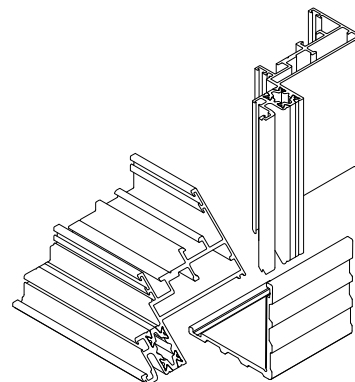
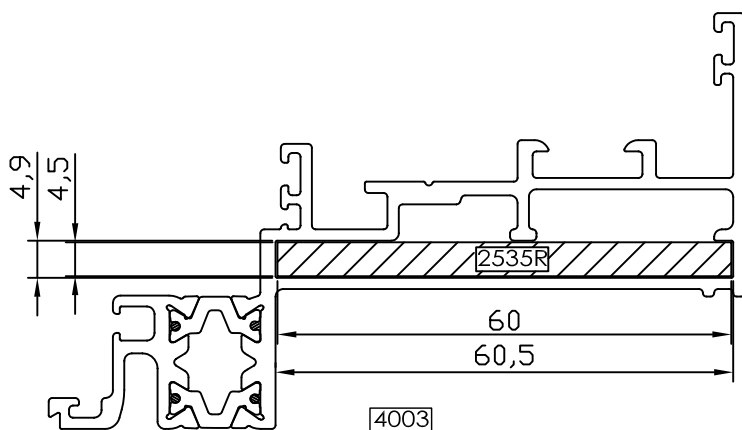


8.55



Use cleat 2530R
(cut from profile CS246)

Fabricators Guide



Use cleat 2535R
(cut from profile 1431)

Copyright and ownership of this drawing is vested in EFT, Euro Facade Systems Ltd, whose prior written consent is required for its use, reproduction or for publication to any third party. All other rights reserved. Subject to modifications.



comar

ARCHITECTURAL ALUMINIUM SYSTEMS

Changes reserved
Sous reserve de modifications
Änderungen vorbehalten

Issue: 05
Date: 01-18

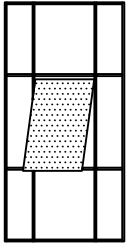
Copyright and ownership of this drawing is vested in EFT, Euro Facade Systems Ltd, whose prior written consent is required for its use, reproduction or for publication to any third party. All other rights reserved. Subject to modifications.

8

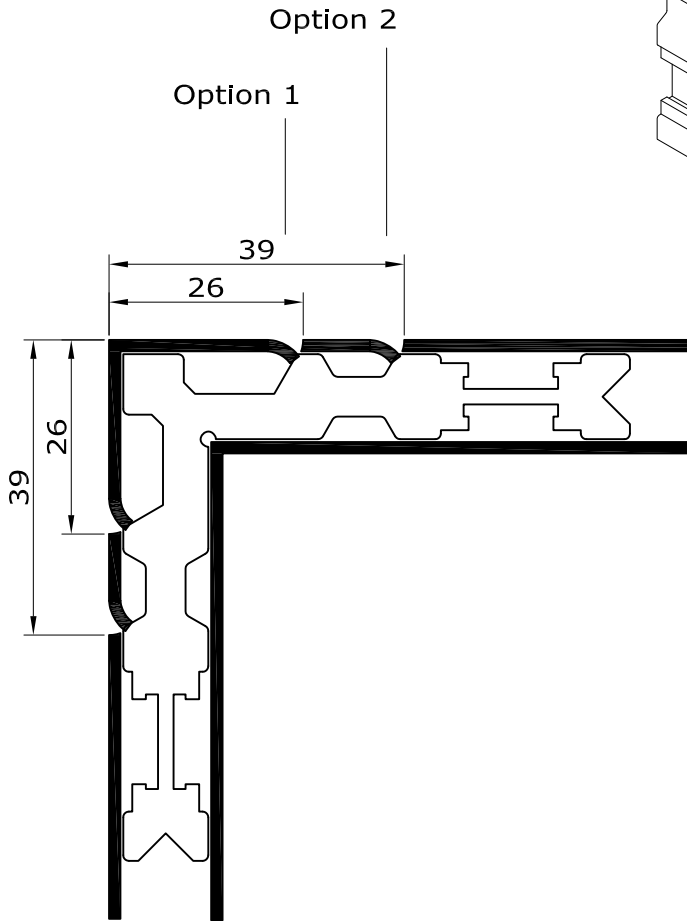
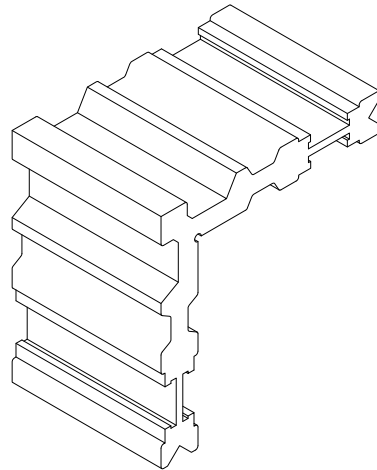
Fabrication

Comar 6EFT

Crimping options for EFT - 2530 cut from profile CS246



8.56



Fabricators Guide

Changes reserved
Sous reserve de modifications
Änderungen vorbehalten

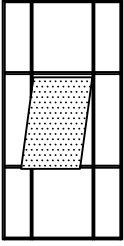
Issue: 05
Date: 01-18

Typical details

8

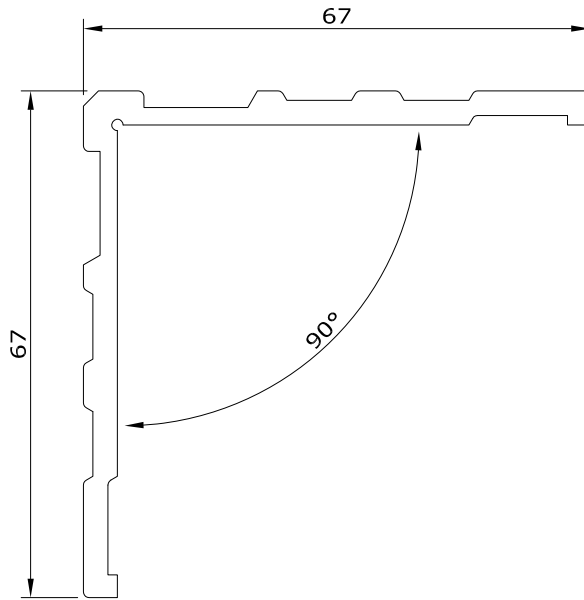
Comar 6EFT

Concealed vent sash crimping cleats

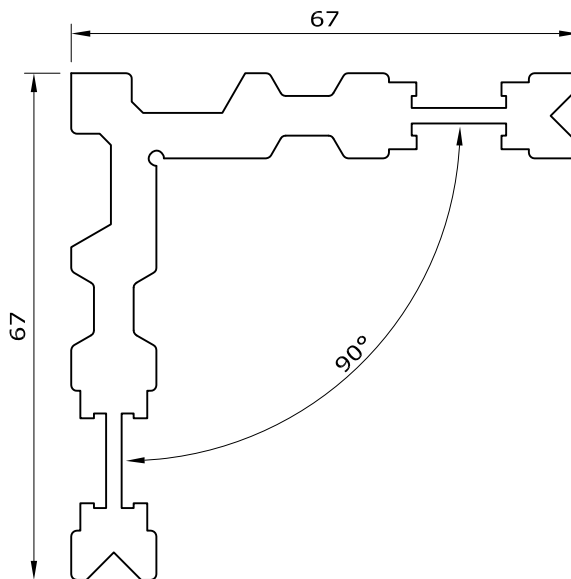


1431 - Corner cleat - 4.5 mm

8.57



CS246 - Corner cleat - 11.8 mm



Fabricators Guide



comar

ARCHITECTURAL ALUMINIUM SYSTEMS

Changes reserved
Sous reserve de modifications
Änderungen vorbehalten

Issue: 05
Date: 01-18

Copyright and ownership of this drawing is vested in EFT, Euro Facade Systems Ltd, whose prior written consent is required for its use, reproduction or for publication to any third party. All other rights reserved. Subject to modifications.

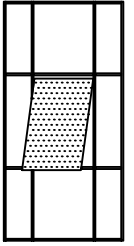
Copyright and ownership of this drawing is vested in EFT,
Euro Facade Systems Ltd, whose prior written consent is required
for its use, reproduction or for publication to any third party.
All other rights reserved. Subject to modifications.

Future Additions

8

Fabrication

Comar 6EFT



8.58

FUTURE
ADDITION

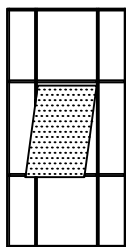
Fabricators Guide

Changes reserved
Sous reserve de modifications
Änderungen vorbehalten

Issue: 05
Date: 10-16

Comar 6EFT

Future Additions



8.59

Fabricators Guide

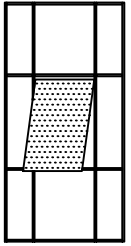
FUTURE ADDITION

Copyright and ownership of this drawing is vested in EFT, Euro Facade Systems Ltd, whose prior written consent is required for its use, reproduction or for publication to any third party. All other rights reserved. Subject to modifications.

Copyright and ownership of this drawing is vested in EFT, Euro Facade Systems Ltd, whose prior written consent is required for its use, reproduction or for publication to any third party. All other rights reserved. Subject to modifications.

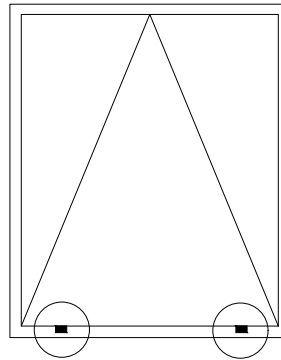
Drainage & ventilation overview

Comar 6EFT



Drainage

TOP HUNG VENT



8.60

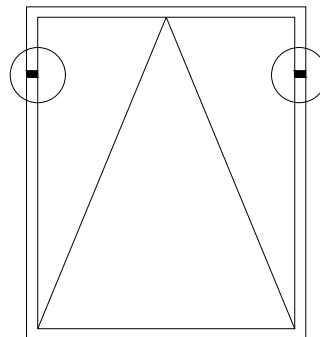
2 options for drainage:

Option 1: Drainage through frame chamber.

Option 2: Flush at window sill.

Ventilation

(pressure equalisation)

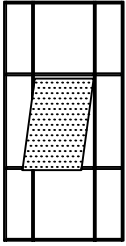


Changes reserved
Sous reserve de modifications
Änderungen vorbehalten

Issue: 05
Date: 10-16

Comar 6EFT

Drainage & ventilation
Option 1

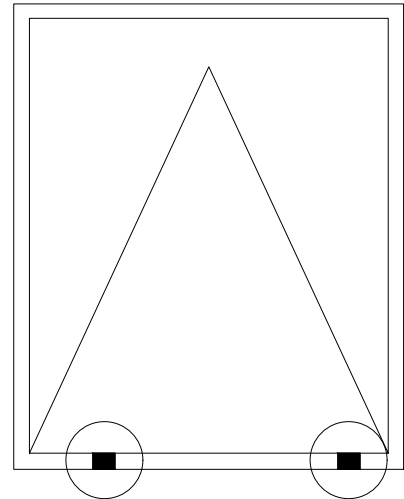


Drainage: Option 1

Drainage through frame chamber

8.61

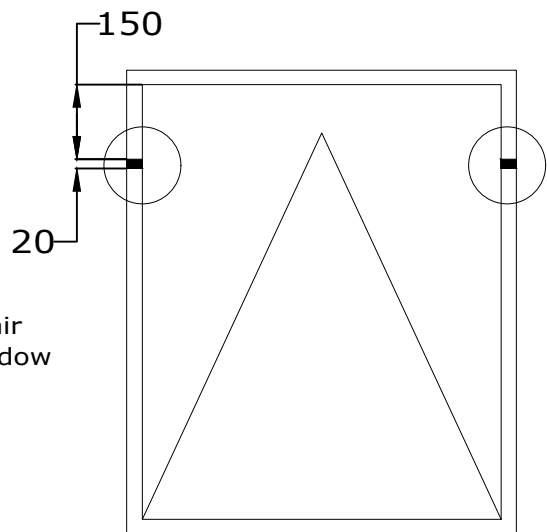
1. Drill minimum 8mm CWCT diameter hole into frame.
2. Mill slot of 5mm x 25mm CWCT minimum.
3. Mill upstands away, 2 x approx. 10mm.
4. Remove/cut EPDM air seal profile.
5. Drill 8mm CWCT diameter hole for drainage & ventilation.



Ventilation

(pressure equalisation)

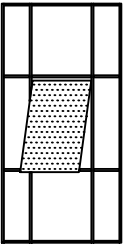
6. Remove / cut out EPDM seal & EPDM air seal (if applicable) at both sides of window at approx. 150 mm from top.
Length: approx. 20 mm



Note: Drainage and ventilation prep. is the same for capped /non capped, top project/side project concealed vents.

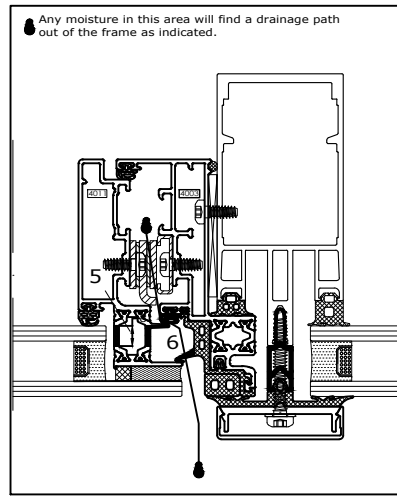
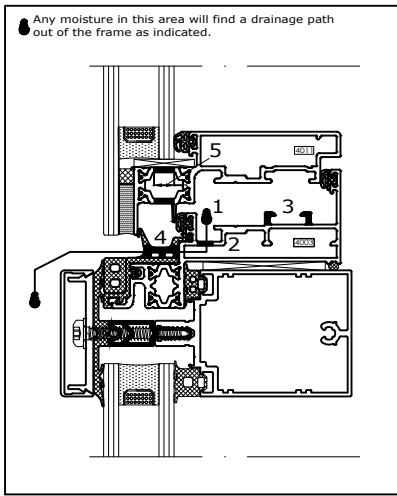


Drainage & ventilation overview - Option 1

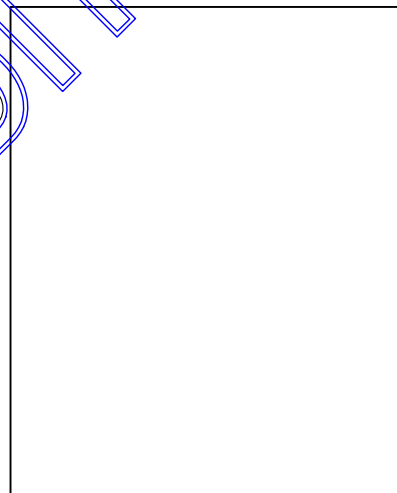
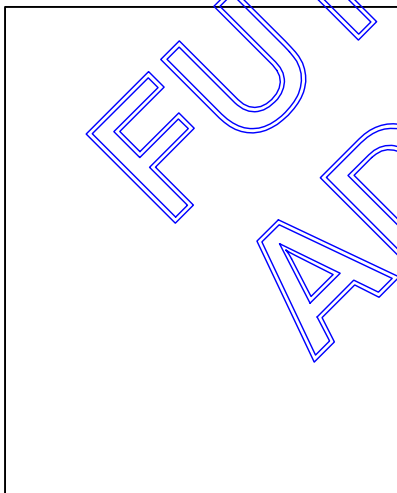
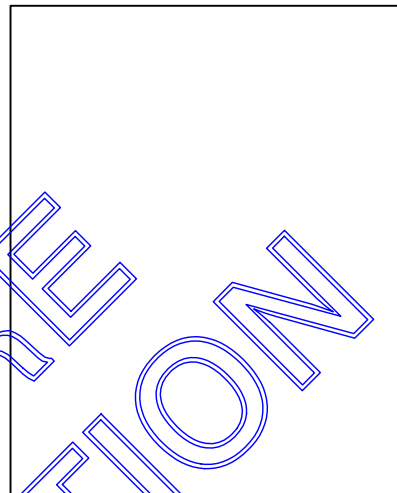
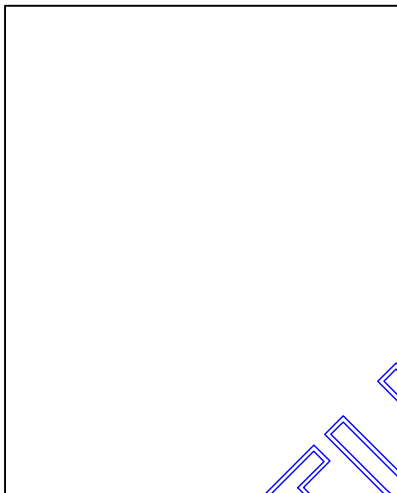


8.62

Copyright and ownership of this drawing is vested in EFT, Euro Facade Systems Ltd, whose prior written consent is required for its use, reproduction or for publication to any third party. All other rights reserved. Subject to modifications.



Refer to page 8.63 for details



FUTURE ADDITION

Changes reserved
 Sous reserve de modifications
 Änderungen vorbehalten

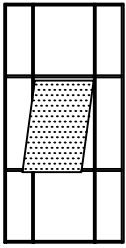
Issue: 05
 Date: 10-16

Fabrication

8

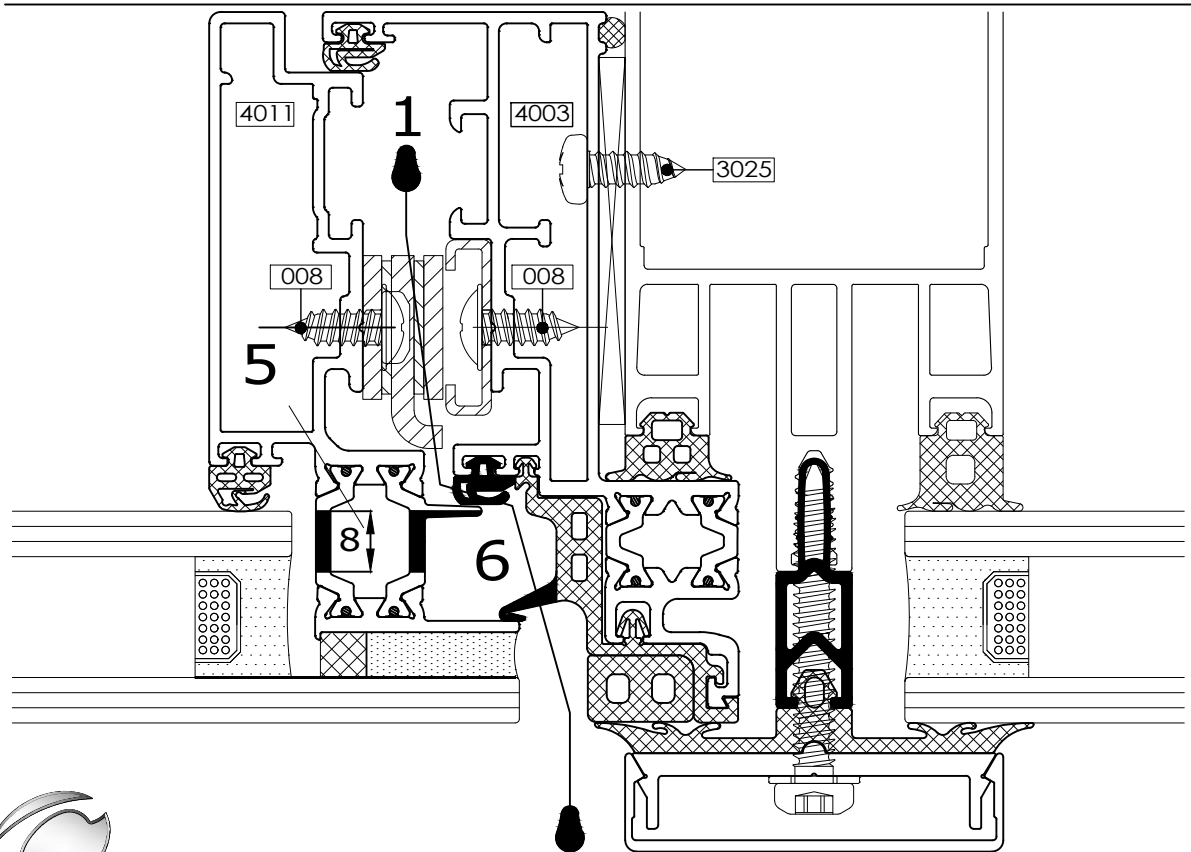
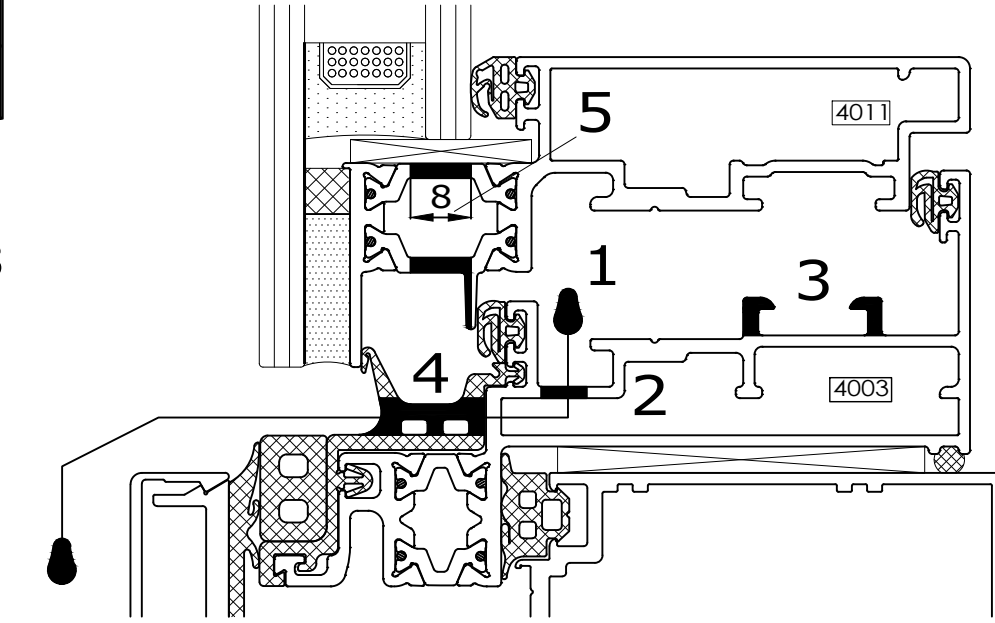
Comar 6EFT

Drainage & ventilation Option 1



1 Any moisture in this area will find a drainage path out of the frame as indicated.

8.63



Copyright and ownership of this drawing is vested in EFT,
Euro Facade Systems Ltd, whose prior written consent is required
for its use, reproduction or for publication to any third party.
All other rights reserved. Subject to modifications.

Fabricators Guide



comar
ARCHITECTURAL ALUMINIUM SYSTEMS

Changes reserved
Sous reserve de modifications
Änderungen vorbehalten

Issue: 05
Date: 10-16

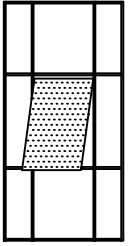
Copyright and ownership of this drawing is vested in EFT,
Euro Facade Systems Ltd, whose prior written consent is required
for its use, reproduction or for publication to any third party.
All other rights reserved. Subject to modifications.

Future Additions

8

Fabrication

Comar 6EFT



8.64 - 8.66

FUTURE
ADDITION

Fabricators Guide

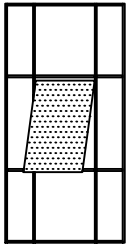
Changes reserved
Sous reserve de modifications
Änderungen vorbehalten

Issue: 05
Date: 10-16

Fabrication

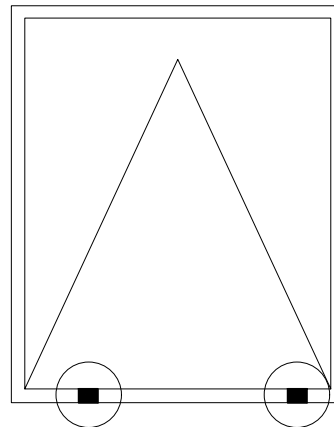
8

Comar 6EFT

Drainage & ventilation
Option 2**Drainage: Option 2****Flush at window sill**

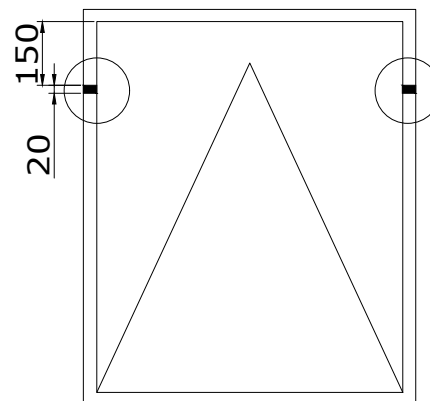
8.67

1. Mill slot of 5mm x 25mm CWCT.
2. Mill upstands away, 2 x approx. 10mm.
3. Drill 8mm CWCT hole for ventilation / drainage.
4. Remove/cut EPDM air seal profile.

**Ventilation**

(pressure equalisation)

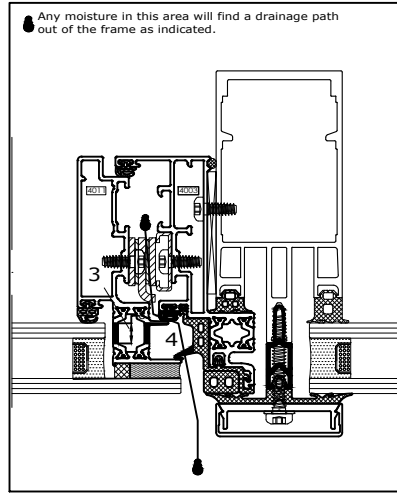
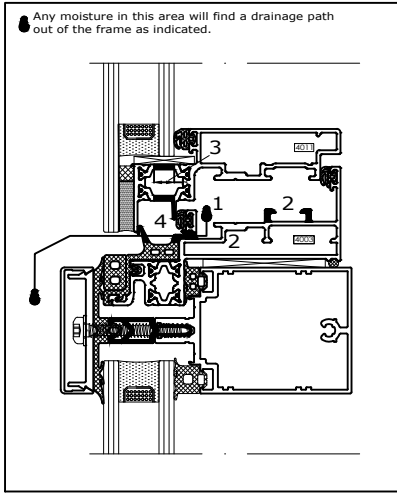
5. Remove / cut out EPDM seal & EPDM air seal (if applicable) at both sides of window at approx. 150 mm from top. Length: approx. 20 mm



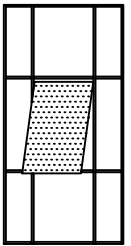
Note: Drainage and ventilation prep. is the same for capped / non capped, top project/side project concealed vents.

Drainage & ventilation overview - Option 2

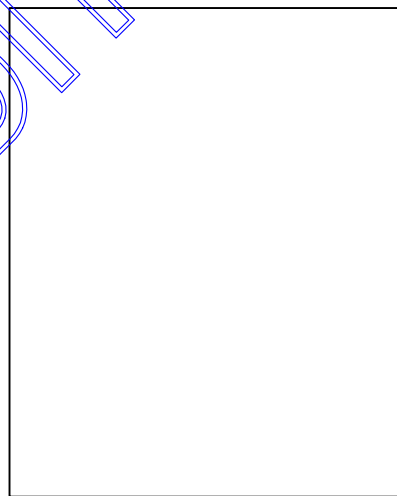
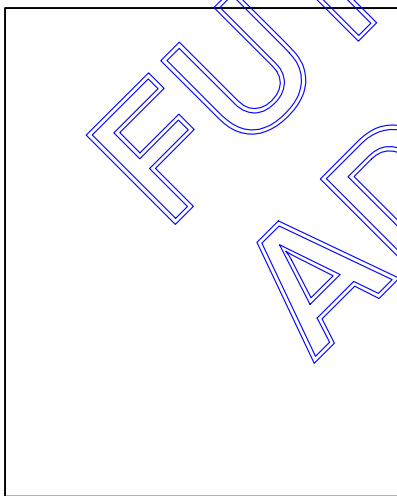
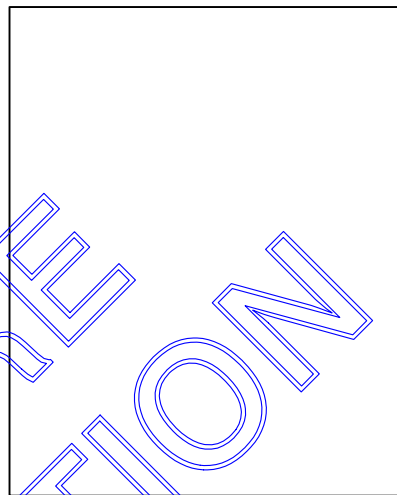
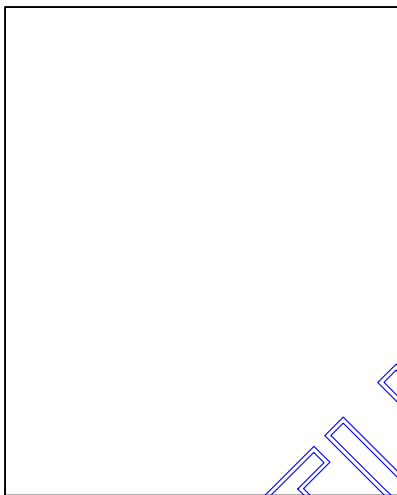
Copyright and ownership of this drawing is vested in EFT, Euro Facade Systems Ltd, whose prior written consent is required for its use, reproduction or for publication to any third party. All other rights reserved. Subject to modifications.



Refer to page 8.69 for details



8.68



FUTURE ADDITION

Changes reserved
 Sous reserve de modifications
 Änderungen vorbehalten

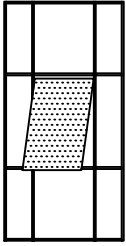
Issue: 05
 Date: 10-16

Fabrication

8

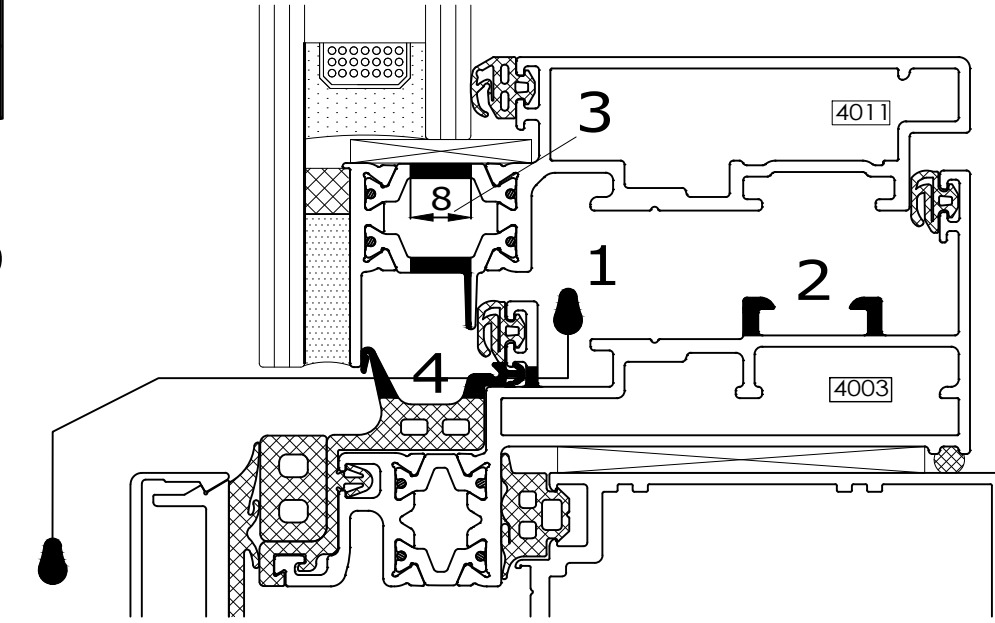
Comar 6EFT

Drainage & ventilation Option 2

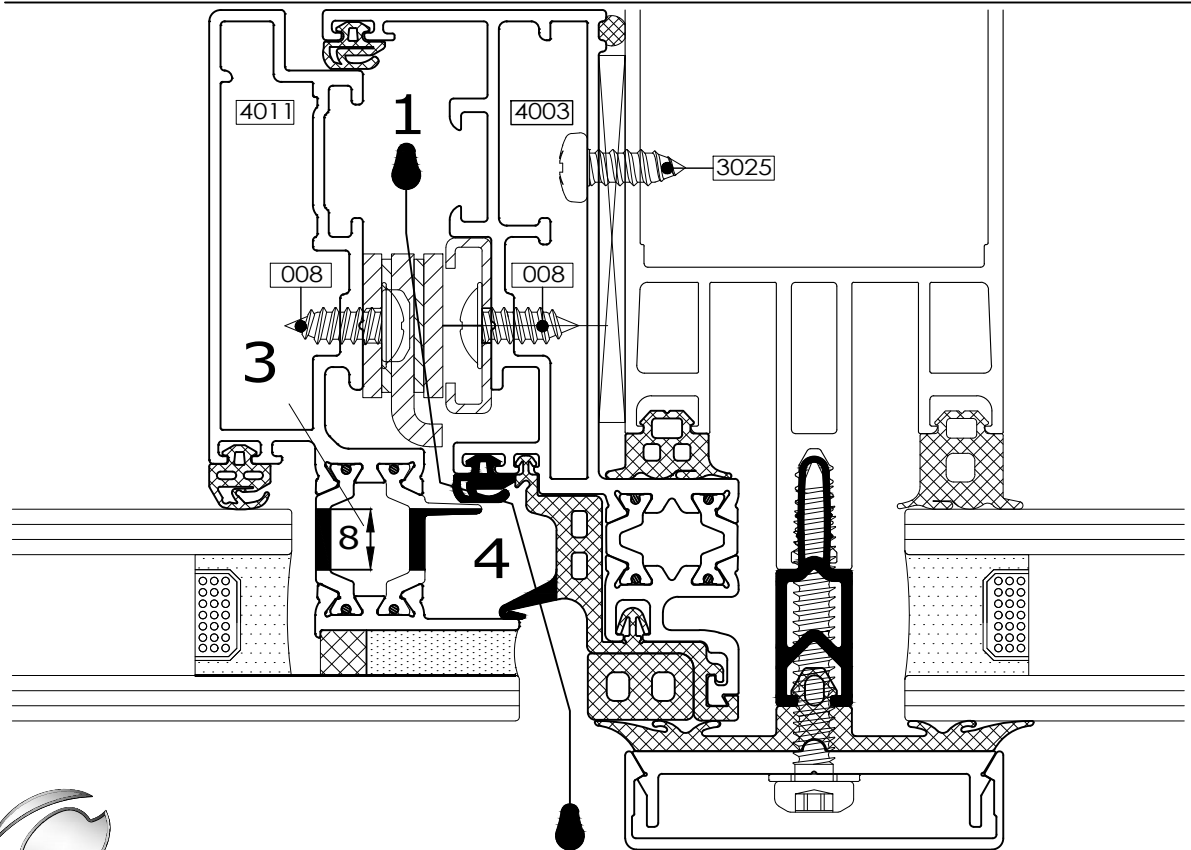


1 Any moisture in this area will find a drainage path out of the frame as indicated.

8.69



Fabricators Guide



Copyright and ownership of this drawing is vested in EFT, Euro Facade Systems Ltd, whose prior written consent is required for its use, reproduction or for publication to any third party. All other rights reserved. Subject to modifications.



comar
ARCHITECTURAL ALUMINIUM SYSTEMS

Changes reserved
Sous reserve de modifications
Änderungen vorbehalten

Issue: 05
Date: 10-16

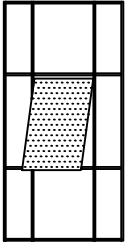
Copyright and ownership of this drawing is vested in EFT,
Euro Facade Systems Ltd, whose prior written consent is required
for its use, reproduction or for publication to any third party.
All other rights reserved. Subject to modifications.

Future Additions

8

Fabrication

Comar 6EFT



8.70

FUTURE
ADDITION

Fabricators Guide

Changes reserved
Sous reserve de modifications
Änderungen vorbehalten

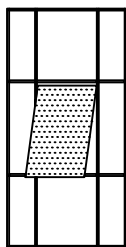
Issue: 05
Date: 10-16

Fabrication

8

Comar 6EFT

Future Additions



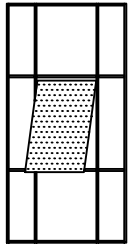
8.71 - 8.79

Fabricators Guide

FUTURE
ADDITION

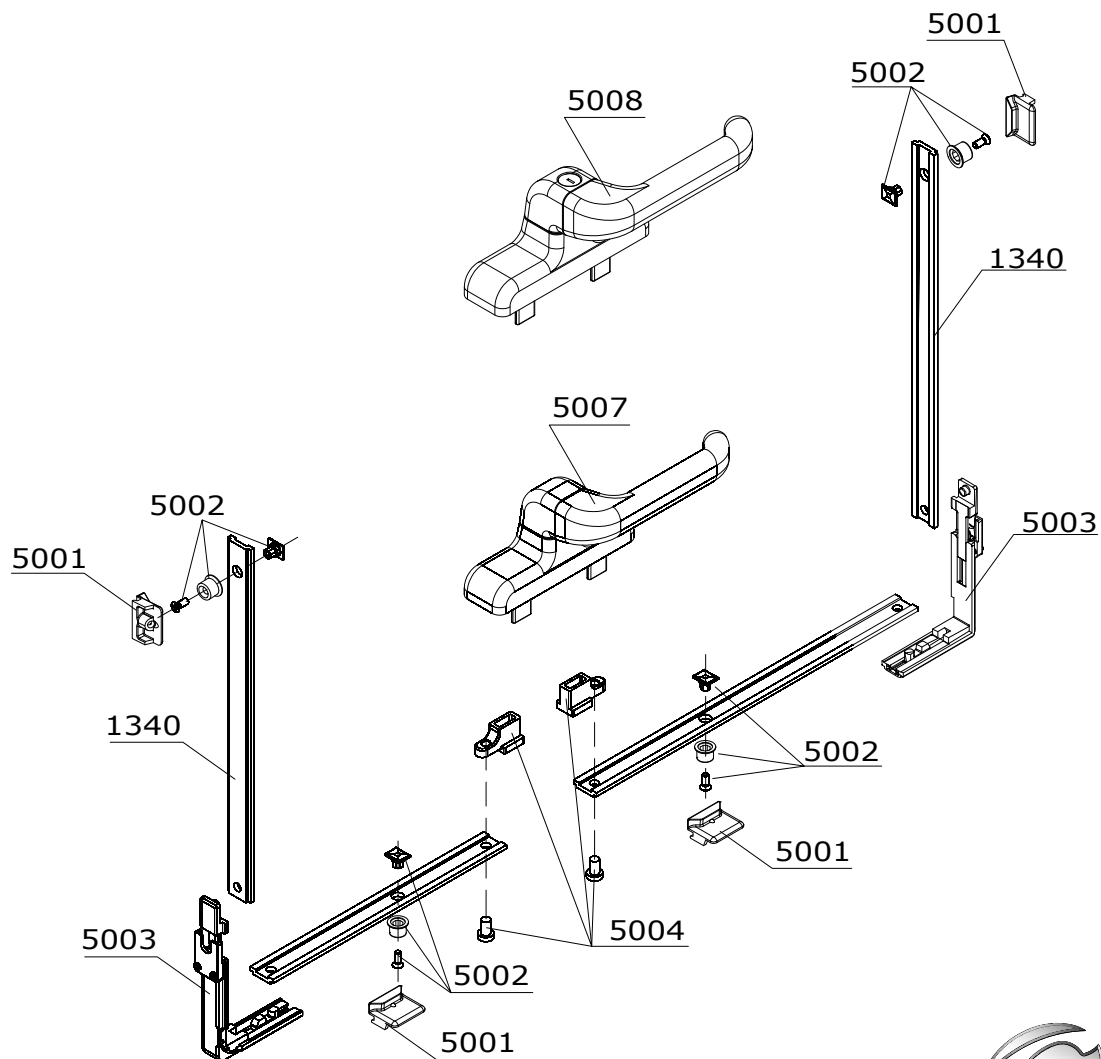
Copyright and ownership of this drawing is vested in EFT,
Euro Facade Systems Ltd, whose prior written consent is required
for its use, reproduction or for publication to any third party.
All other rights reserved. Subject to modifications.

Hardware overview



8.80

Part no.	Description	Locking	
		2 points	4 points
1340	Drive rods	see 8.81	see 8.81
5001	Curtain wall striker	2 of	4 of
5002	Adjustable pawl	2 of	4 of
5003	Corner cleat	0 of	2 of
5004	Connection block	1 of	1 of
5007	Handle - non locking	1 of	1 of
5008	Handle - locking	1 of	1 of

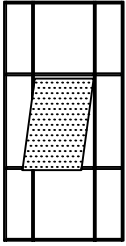


Fabrication

8

Comar 6EFT

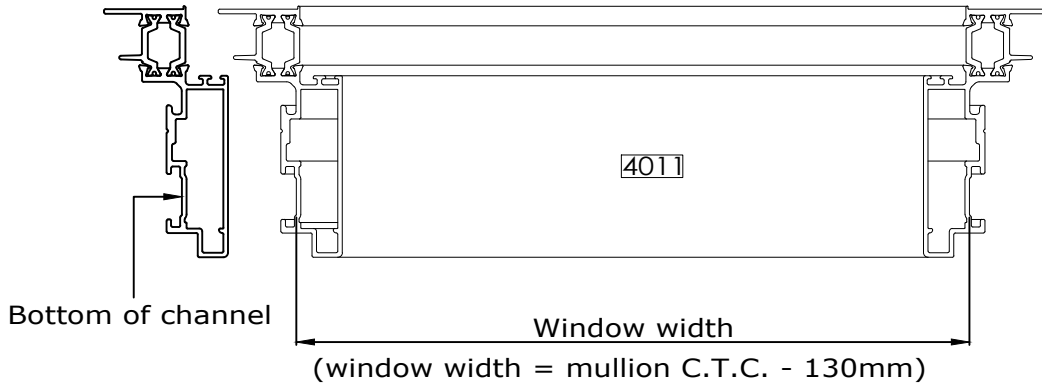
Bottom drive rods 1340 preparation



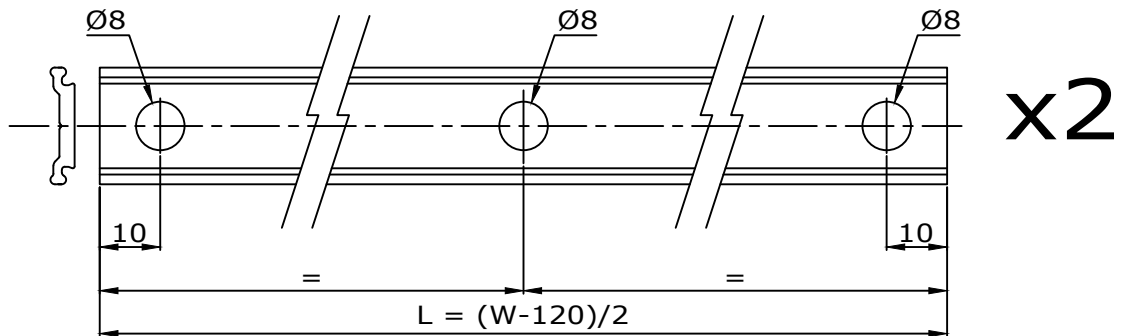
4 POINTS LOCKING: Rod lengths = window width - 124mm/2
 2 POINTS LOCKING: Rod lengths = window width - 79mm/2

Window width measured along bottom of channel

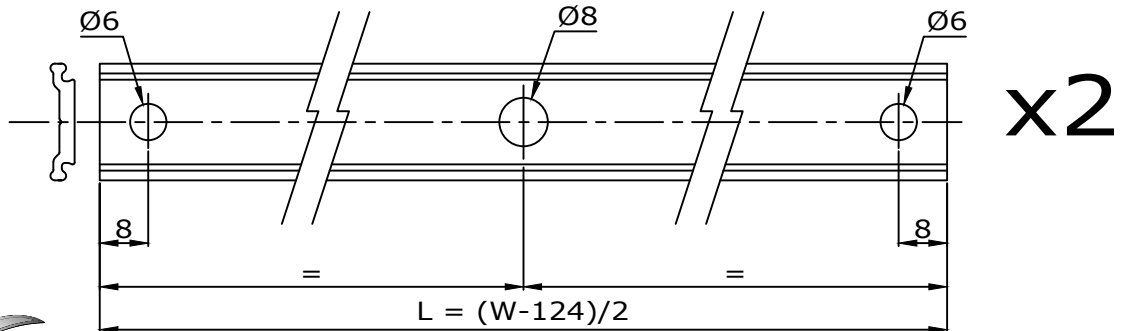
8.81



Fabricators Guide

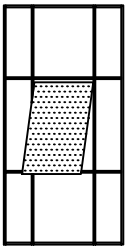


"OR"

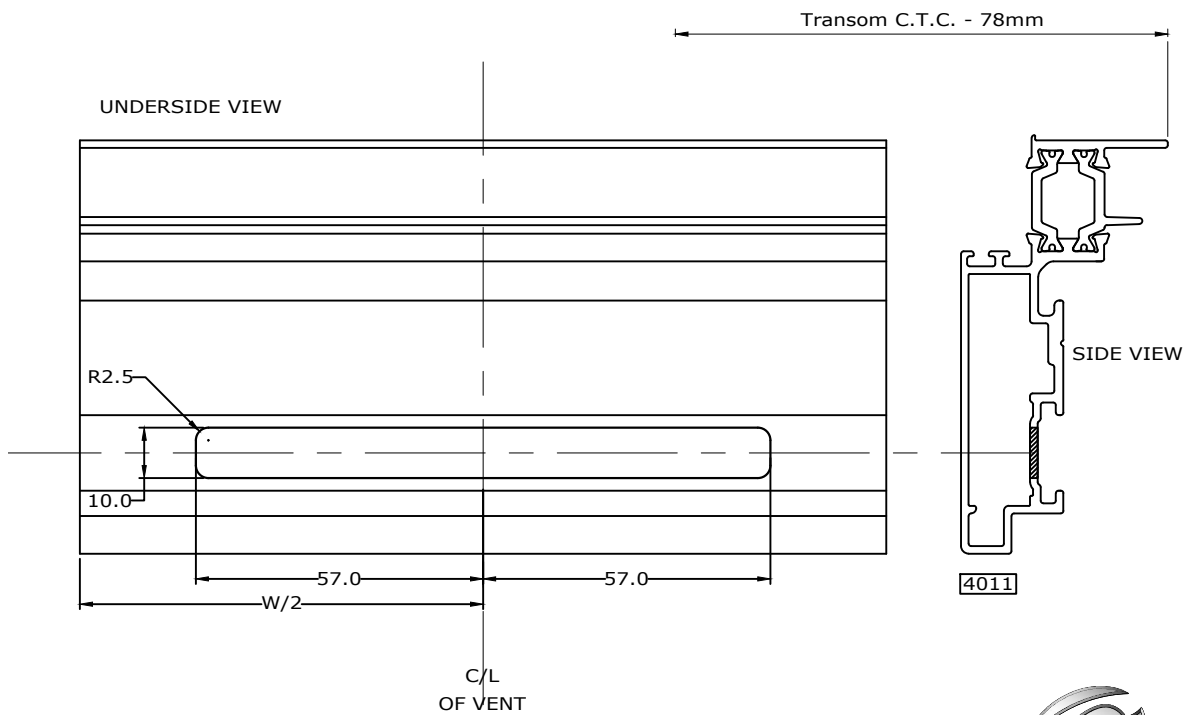
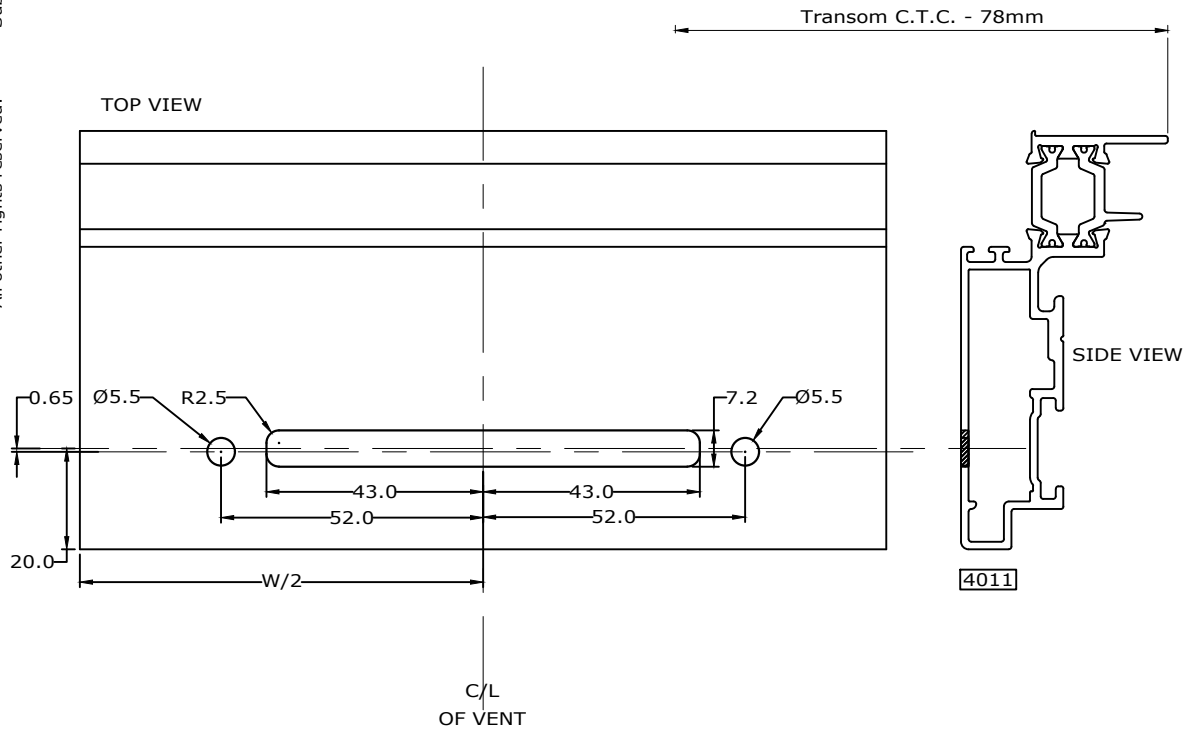


Handle preparation
5007 & 5008

Copyright and ownership of this drawing is vested in EFT, Euro Facade Systems Ltd, whose prior written consent is required for its use, reproduction or for publication to any third party. All other rights reserved. Subject to modifications.



8.82



Changes reserved
Sous reserve de modifications
Änderungen vorbehalten

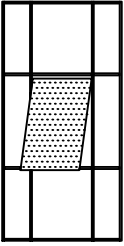
Issue:05
Date: 10-16

Fabrication

8

Comar 6EFT

Future Additions



8.83 - 8.99

Fabricators Guide

FUTURE
ADDITION

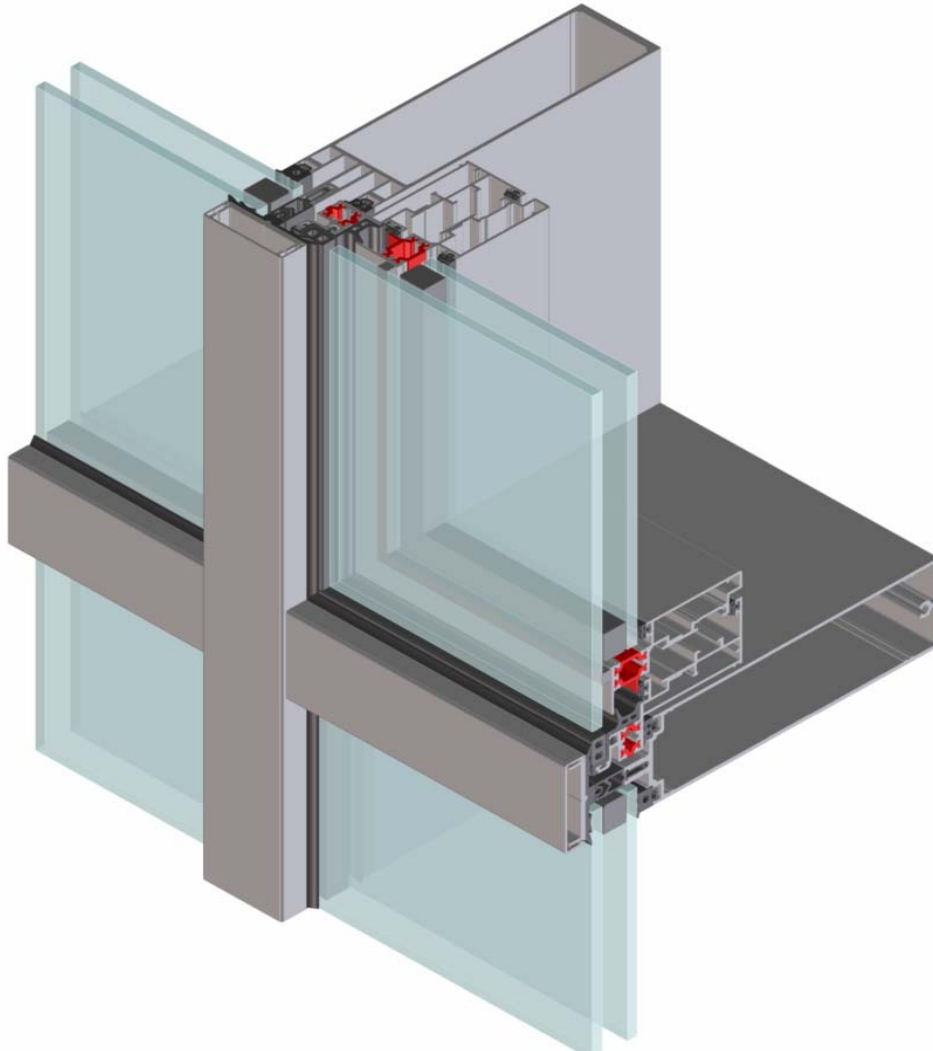
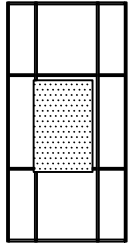
Copyright and ownership of this drawing is vested in EFT,
Euro Facade Systems Ltd, whose prior written consent is required
for its use, reproduction or for publication to any third party.
All other rights reserved. Subject to modifications.

9

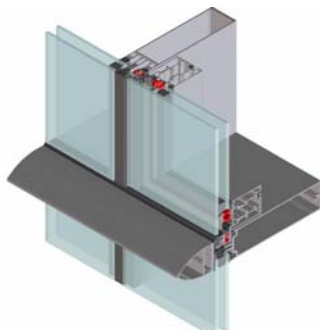
Parallel Hinge System

Parallel Hinge System

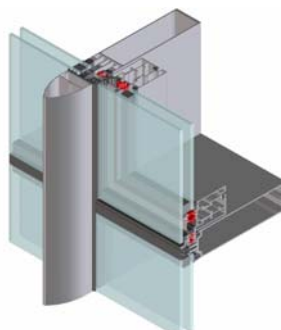
Comar 6EFT



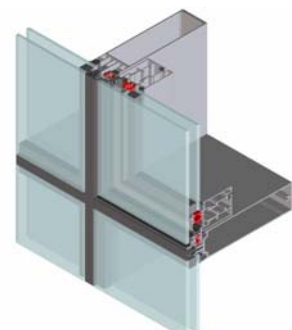
Concealed Vent into Capped CW



2side SGH



2side SGV



4side SG

Fabricators Guide

Copyright and ownership of this drawing is vested in EFT, Euro Facade Systems Ltd, whose prior written consent is required for its use, reproduction or for publication to any third party. All other rights reserved. Subject to modifications.

Changes reserved
Sous reserve de modifications
Änderungen vorbehalten

Issue:05
Date: 10 -16

Introduction

Comar 6 EFT Concealed Vent

Comar 6 EFT Concealed Vent - Parallel Hinge System is a window fitted with scissor action friction hinges that allows the window to be pushed out horizontally and is available in single or double glazed units.

Specification Summary

Glazing

The system is glazed from the outside, structurally bonded to the moving frame (window vent)
Glass should conform to the requirements of BS 6262 for thickness and type, in terms of wind resistance, safety and security.

Drainage

The system is drained and achieved by meeting the requirements of "ventilated and drained glazing system" as specified in BS 6262

Thermal Insulation

Classification in accordance with DIN 4108 or EN ISO 10077 - 1

Thermally Concealed Vent:

The thermal transmittance (U_f) $W/m^2 K$, is dependant on the insulator strip, calculated as per EN ISO 10077 - 1.
Comparable with class 1.0 or 2.1 DIN 4108 - 4 Table 3

Sound Insulation

Depending largely upon the glass specification, generally the curtain wall framing reduces the figure by 2dB (A).

Materials

The system is constructed from extruded aluminium profiles, using alloy 6063 complying to the requirements of BS EN 755 & BS EN 12020
The thermal barrier system is achieved by means of PVC/PP extrusion. with the requirements of BS 3734.

Construction

Any instructions regarding the manufacture and installation of the system must be strictly adhered to.

Weathering

Glazing vision strips are made of EPDM conforming to BS 4255 Part 1

Performance / exposure category

The system will achieve the following criteria when manufactured, installed and glazed to EFT recommended procedures.

Classification

Air permeability:	BS EN 12207 - Class 4
Water tightness:	BS EN 12208 - Class E 750
Wind resistance:	BS EN 13116 - 2400 Pa design - 3600 Pa safety

2400Pa (Pascal's) depends upon correct mullion and transom selection to suit span and spacing on a project-by-project basis.

Size limitations

The size limitations of the system depends mainly on the hardware used. Please refer to Comar's Technical Office for advise.

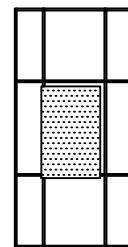


comar

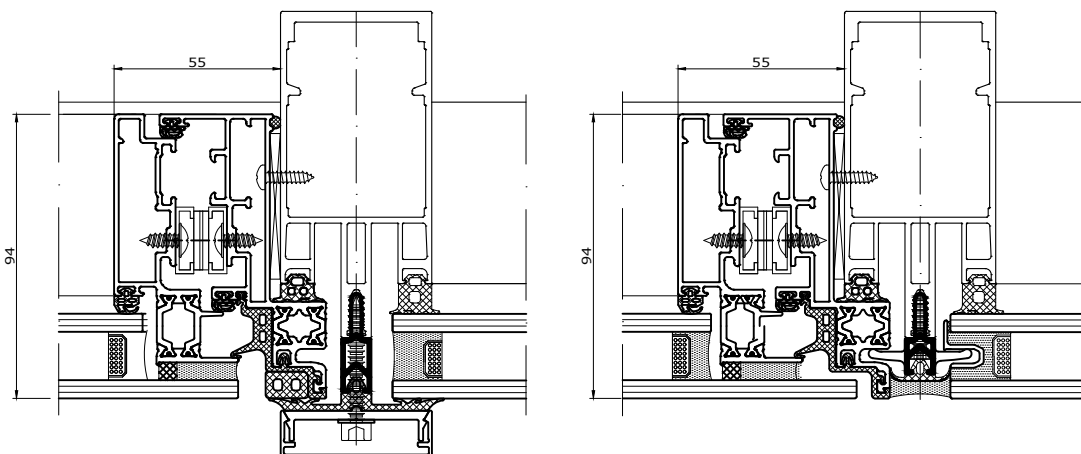
ARCHITECTURAL ALUMINIUM SYSTEMS

Parallel Hinge System Overview

Comar 6EFT



9.00



Copyright and ownership of this drawing is vested in EFT,
Euro Facade Systems Ltd, whose prior written consent is required
for its use, reproduction or for publication to any third party.
All other rights reserved. Subject to modifications.

Notes:

1. For manual operation up to 1500mm wide 2 handles central at the sides.
Can also be mechanically or electrically operated.
2. For vents 1500mm to 2000mm wide electric operation should be used.
2. Vents either side of a faceted mullion may be possible depending on the angle, contact Comar's technical department for advice.
3. A minimum of a 60mm transom (1150) must be used above and below where a concealed vent is to be positioned.
4. For width / height / weight combination options, please contact Comar's technical department.

Integrates into:

Fully capped Curtain Walling
2 sided with vertical capping
(2sided SGV)

Integrates into:

2 sided with horizontal capping
(2sided SGH)
4 sided structural glazing
(4sided SG)

Limitations

	Max. width	Max. height	Max. weight
Parallel Hinge System	2000mm depends on height	2000mm depends on width	100 / 200kg depends on sizing

Changes reserved
Sous reserve de modifications
Änderungen vorbehalten

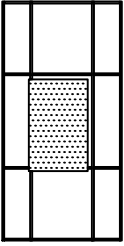
Issue:05
Date: 02 -17

Typical details

9

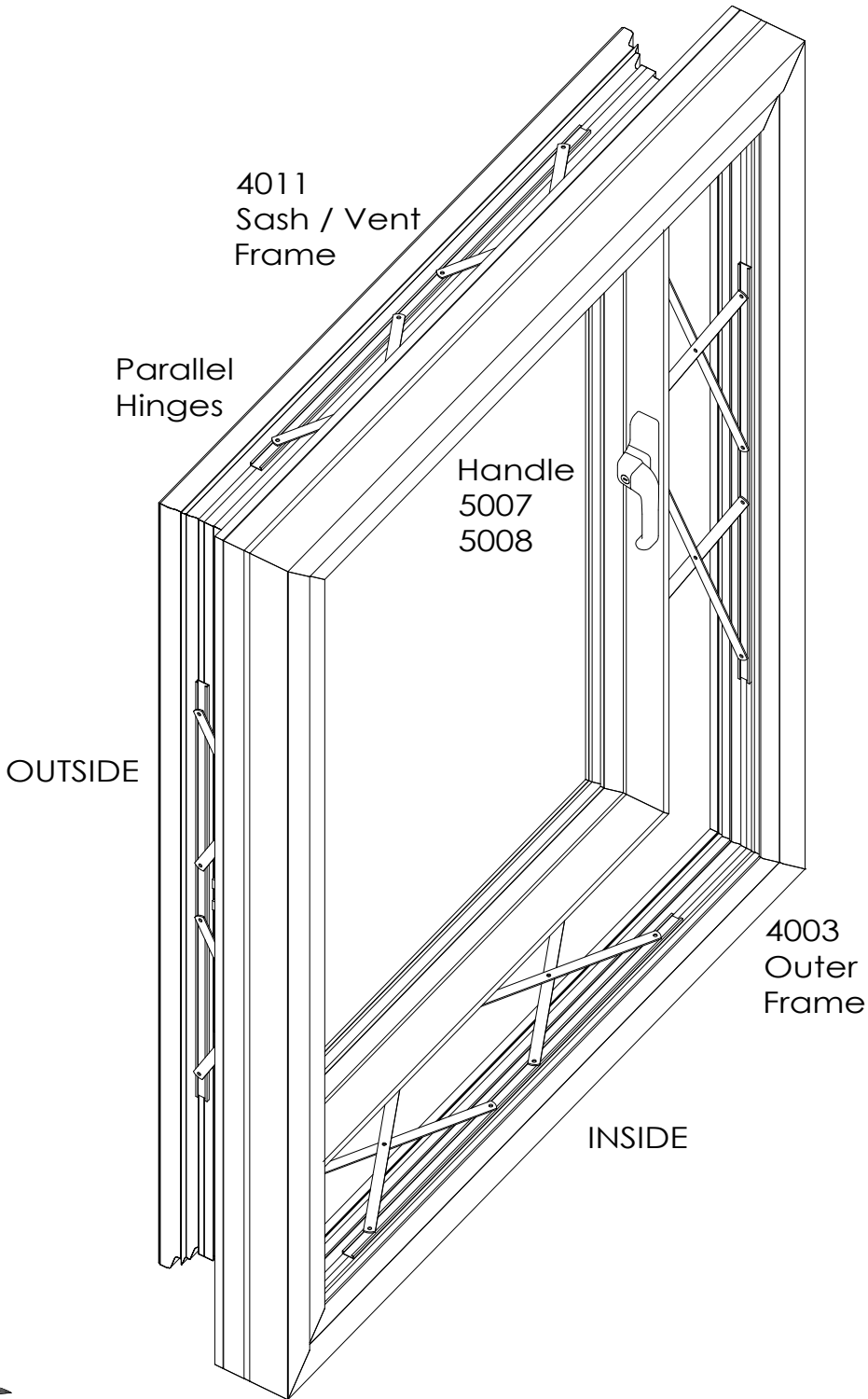
Comar 6EFT

Parallel Hinge System
Typical window



9.01

Fabricators Guide



Copyright and ownership of this drawing is vested in EFT, Euro Facade Systems Ltd, whose prior written consent is required for its use, reproduction or for publication to any third party. All other rights reserved. Subject to modifications.



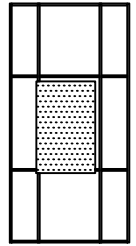
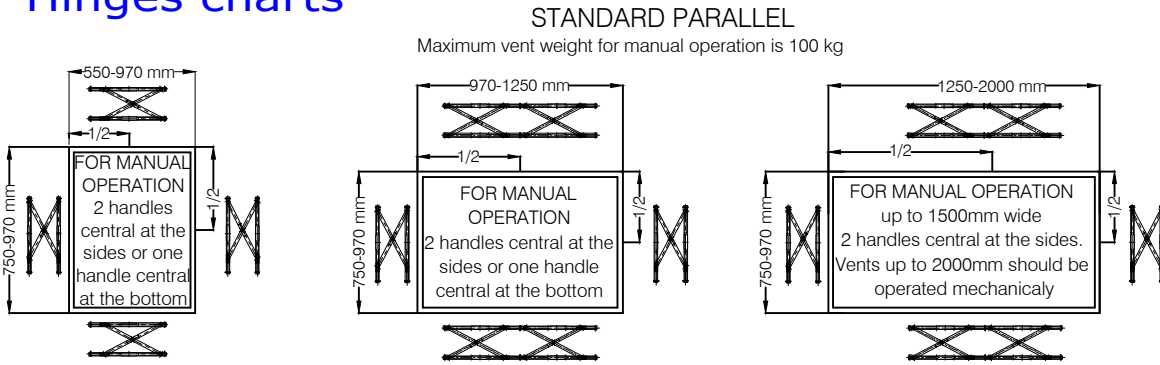
comar
ARCHITECTURAL ALUMINIUM SYSTEMS

Changes reserved
Sous reserve de modifications
Änderungen vorbehalten

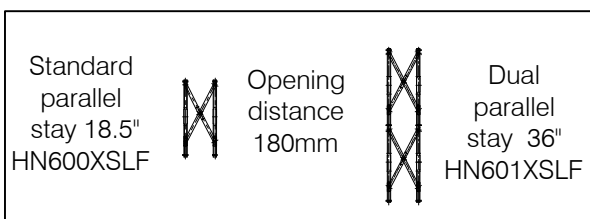
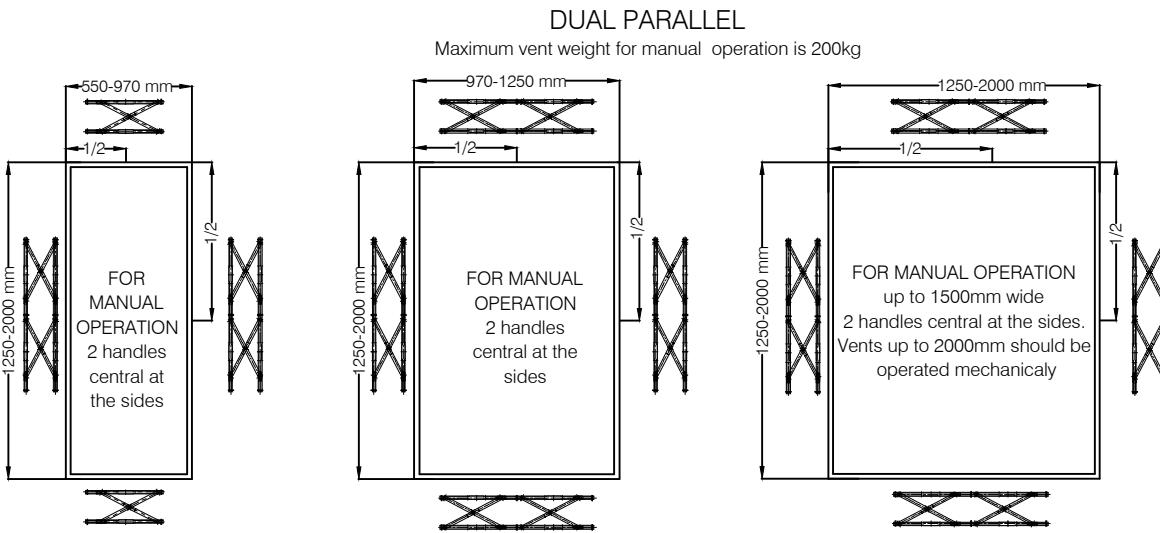
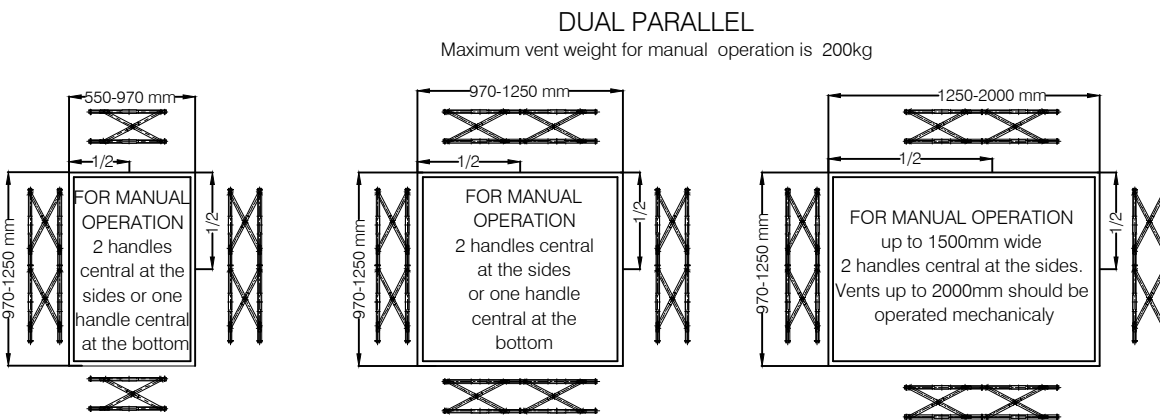
Issue: 05
Date: 02 -17

Parallel Hinge System
Hinges charts

Copyright and ownership of this drawing is vested in EFT, Euro Facade Systems Ltd, whose prior written consent is required for its use, reproduction or for publication to any third party. All other rights reserved. Subject to modifications.



9.02



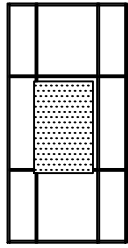
Changes reserved
Sous reserve de modifications
Änderungen vorbehalten

Issue:05
Date: 02 -17

Comar 6EFT

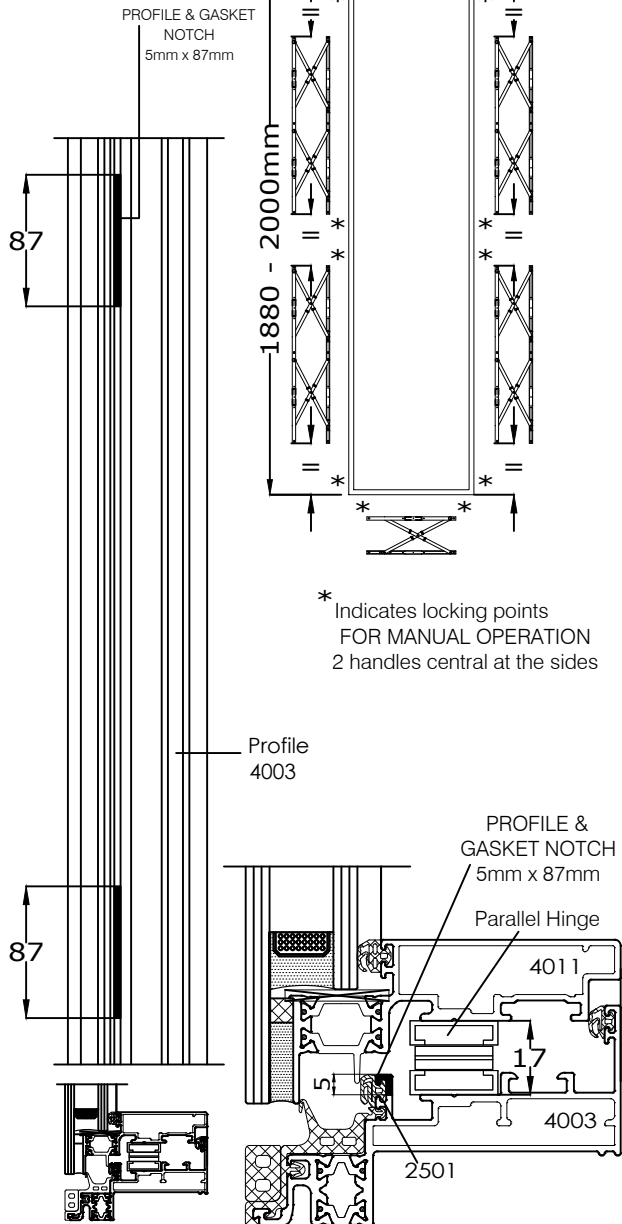
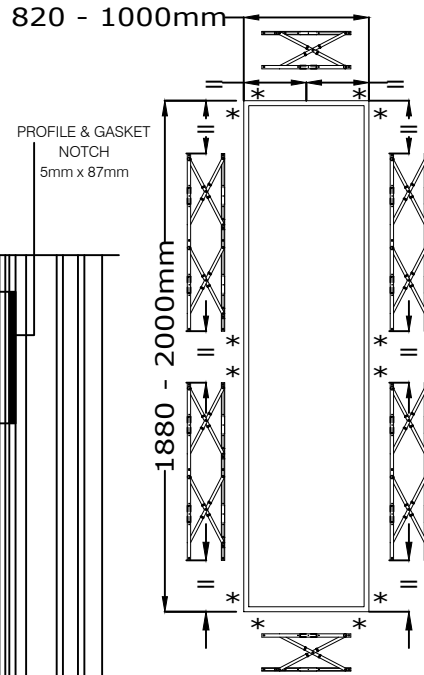
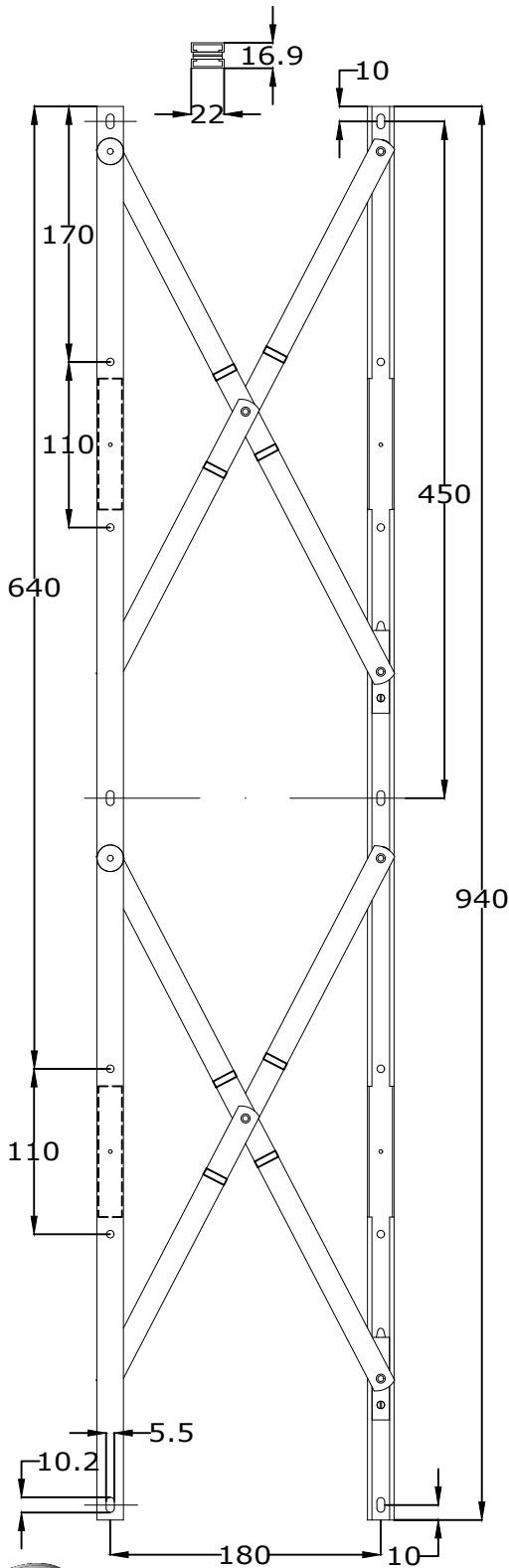
Parallel Hinge System
Dual hinges

Hinges are universal and will open & close for left & right hand sides also, top & bottom frame / sash fitting.



9.03

Fabricators Guide

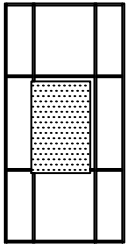


Handing is achieved by opening the hinge either to the left or to the right as required.

Copyright and ownership of this drawing is vested in EFT, Euro Facade Systems Ltd, whose prior written consent is required for its use, reproduction or for publication to any third party. All other rights reserved. Subject to modifications.



Parallel Hinge System
Single hinges

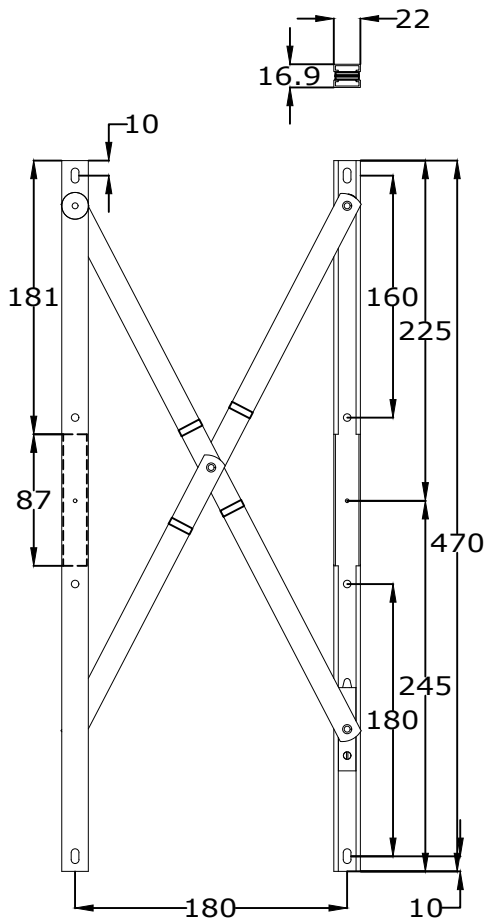


NOTE:

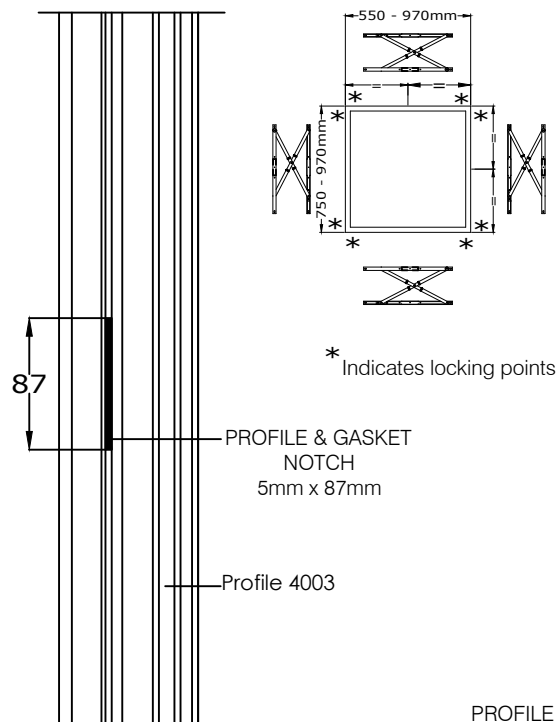
Hinges are universal and will open & close for left & right hand sides also, top & bottom frame / sash fitting.

9.04

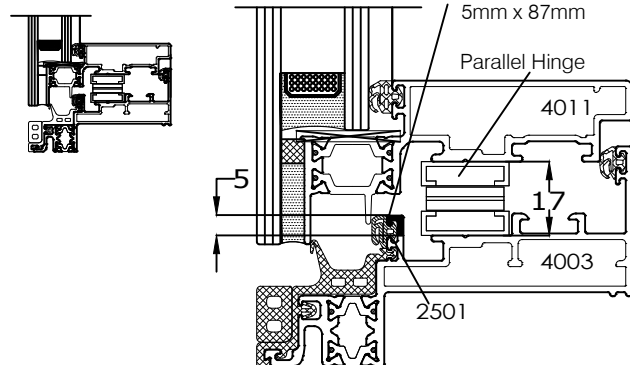
Copyright and ownership of this drawing is vested in EFT, Euro Facade Systems Ltd, whose prior written consent is required for its use, reproduction or for publication to any third party. All other rights reserved. Subject to modifications.



Single hinge



* Indicates locking points



Hinges are universal and will open and operate for both left and right sides of the frame and sash and for the top and bottom.

Changes reserved
Sous reserve de modifications
Änderungen vorbehalten

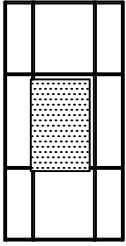
Issue:05
Date: 02 -17

Typical details

9

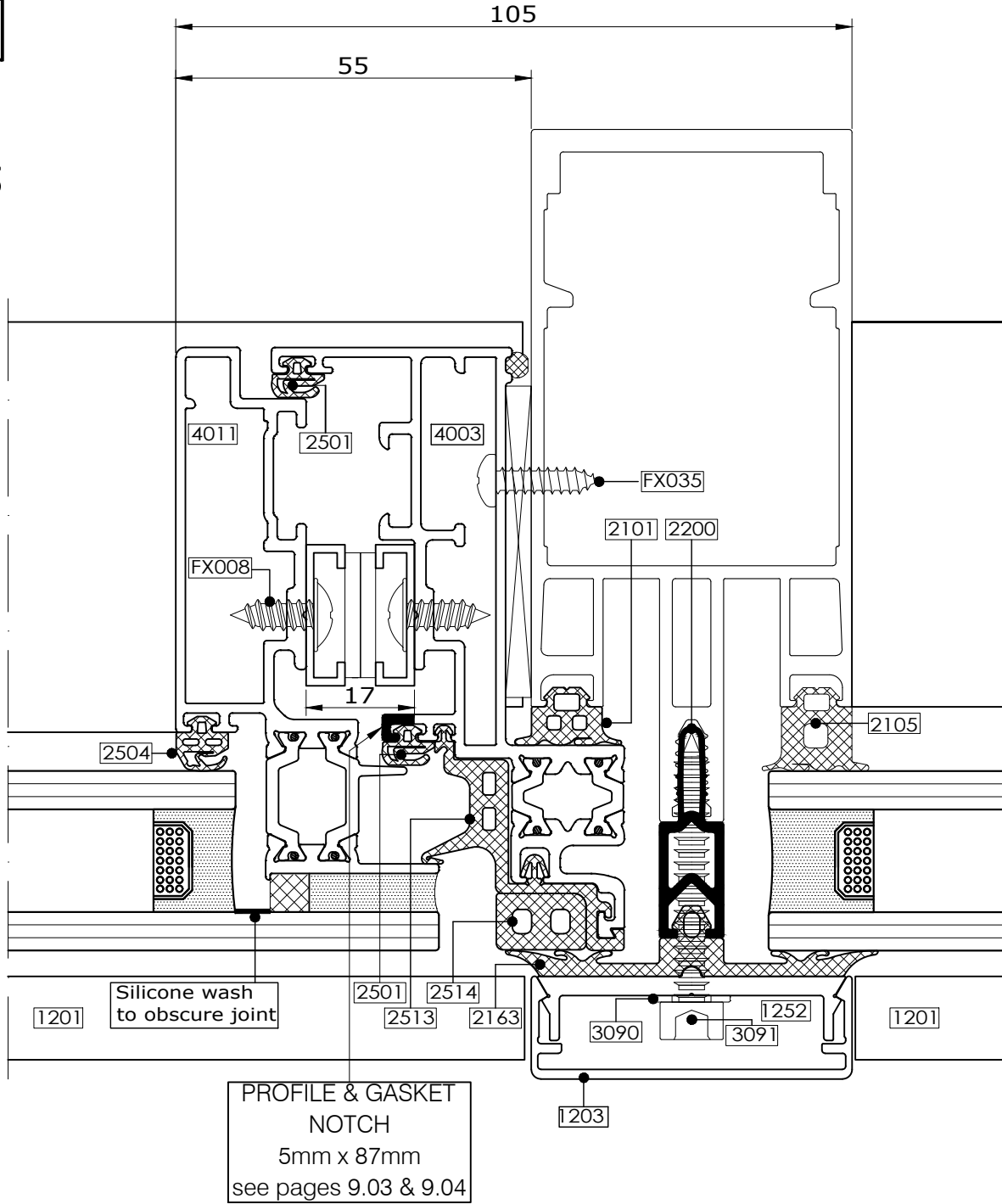
Comar 6EFT

Parallel Hinge System
Mullion section - Capped



9.05

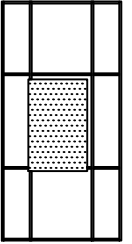
Fabricators Guide



Copyright and ownership of this drawing is vested in EFT, Euro Facade Systems Ltd, whose prior written consent is required for its use, reproduction or for publication to any third party. All other rights reserved. Subject to modifications.

Parallel Hinge System
Transom section - Capped

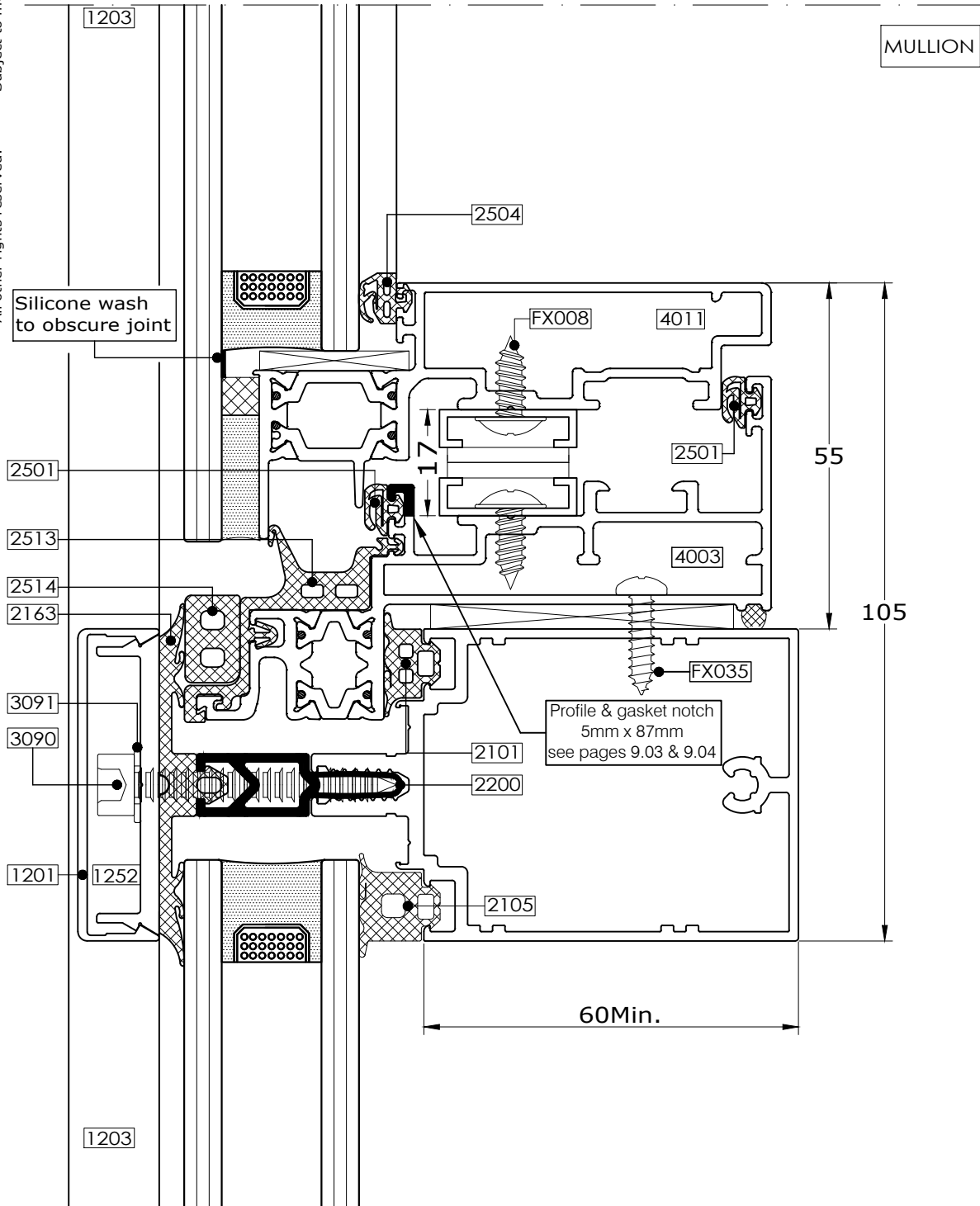
Comar 6EFT



9.06

Fabricators Guide

Copyright and ownership of this drawing is vested in EFT, Euro Facade Systems Ltd, whose prior written consent is required for its use, reproduction or for publication to any third party. All other rights reserved. Subject to modifications.



Changes reserved
Sous reserve de modifications
Änderungen vorbehalten

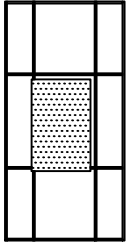
Issue:05
Date: 02 -17

Typical details

9

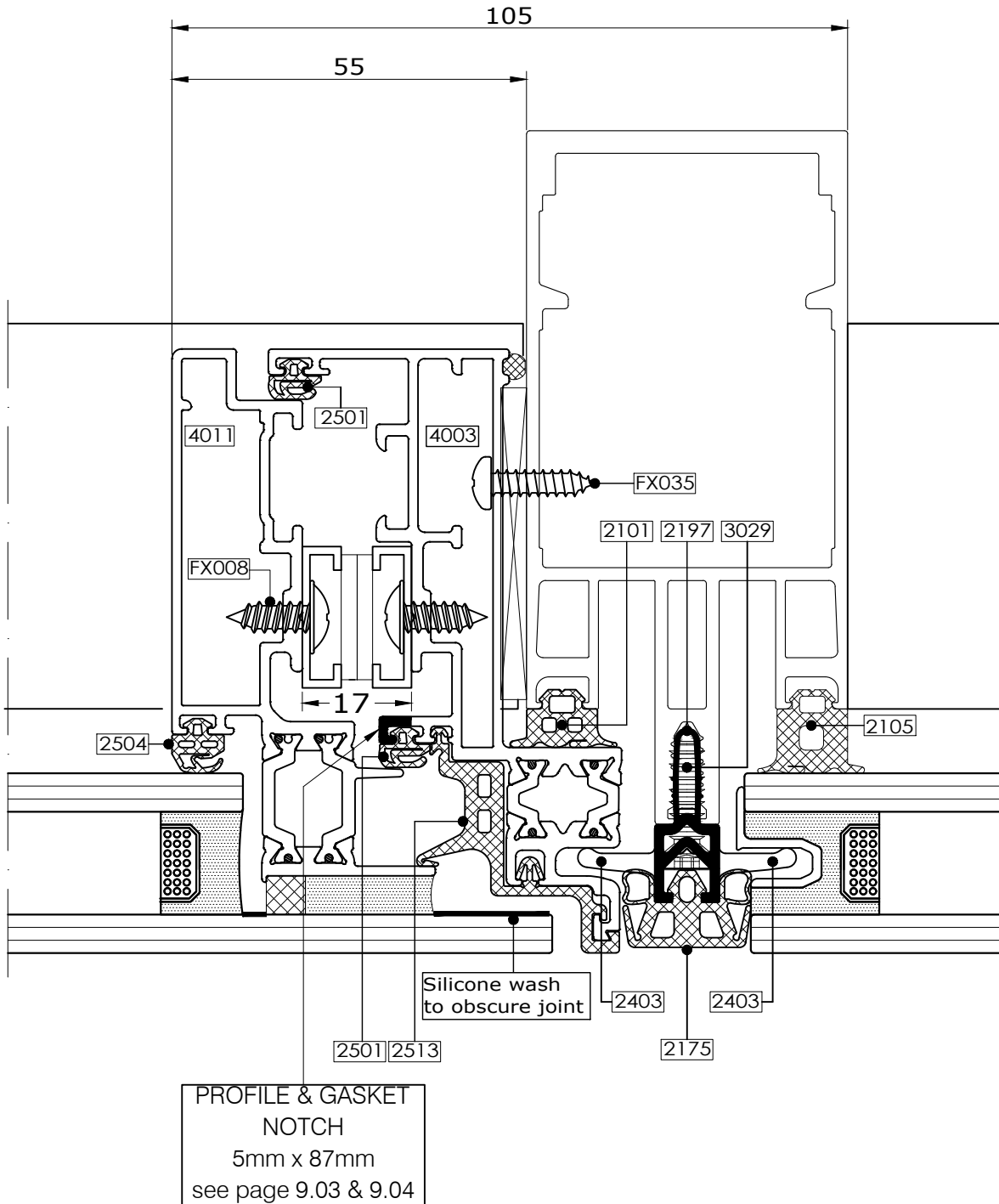
Comar 6EFT

Parallel Hinge System Mullion section - SG



9.07

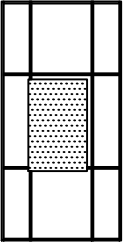
Fabricators Guide



Copyright and ownership of this drawing is vested in EFT, Euro Facade Systems Ltd, whose prior written consent is required for its use, reproduction or for publication to any third party. All other rights reserved. Subject to modifications.

Parallel Hinge System
Transom hinge - SG

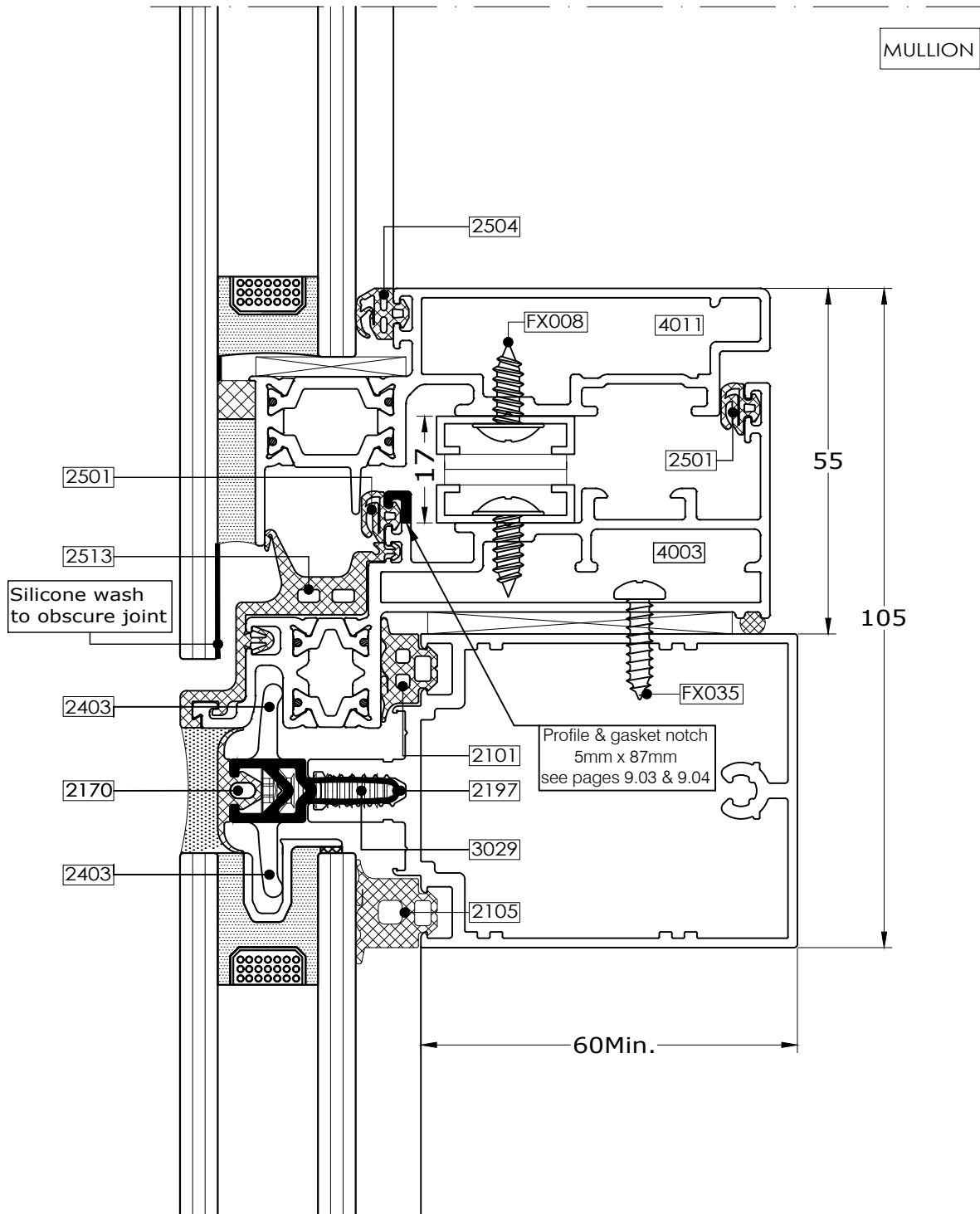
Comar 6EFT



9.08

Fabricators Guide

Copyright and ownership of this drawing is vested in EFT, Euro Facade Systems Ltd, whose prior written consent is required for its use, reproduction or for publication to any third party. All other rights reserved. Subject to modifications.

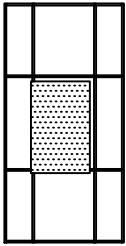


Changes reserved
Sous reserve de modifications
Änderungen vorbehalten

Issue:05
Date: 02 -17

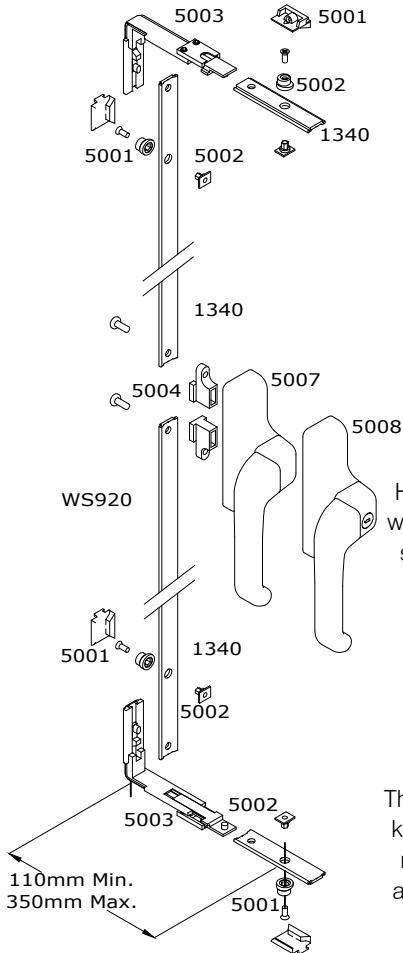
Comar 6EFT

Parallel Hinge System
Twin single hinge locking



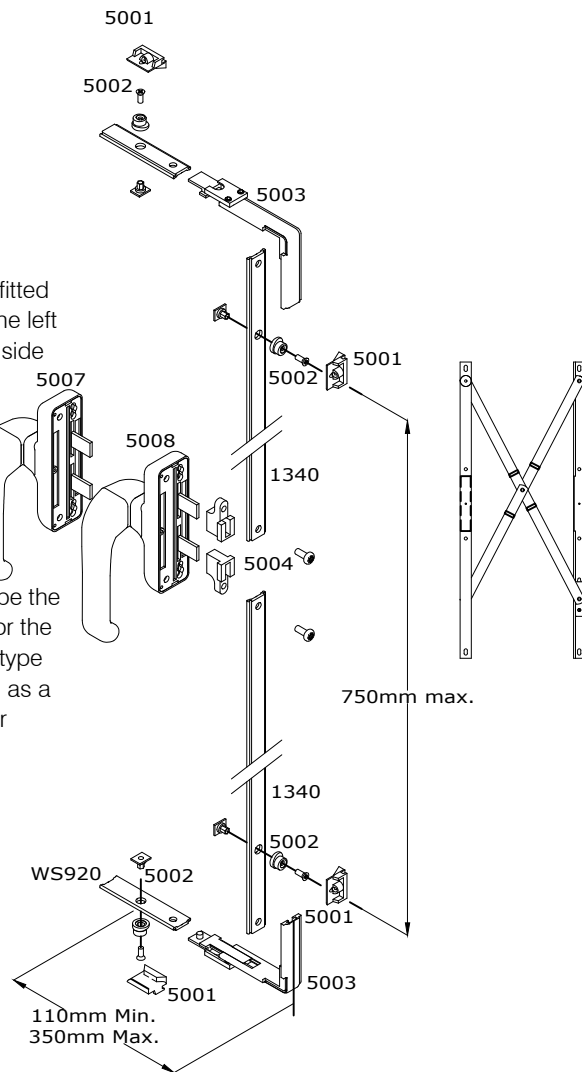
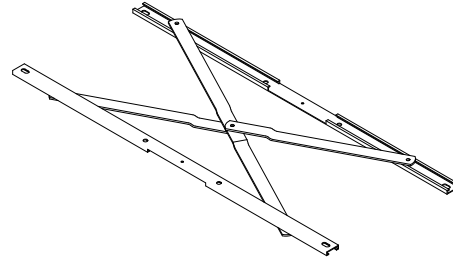
9.09

Fabricators Guide



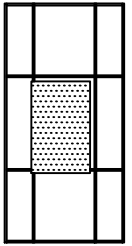
Handles can be fitted with the lock on the left side or the right side

The handles can be the key locked type or the non-key locked type and are supplied as a matched pair



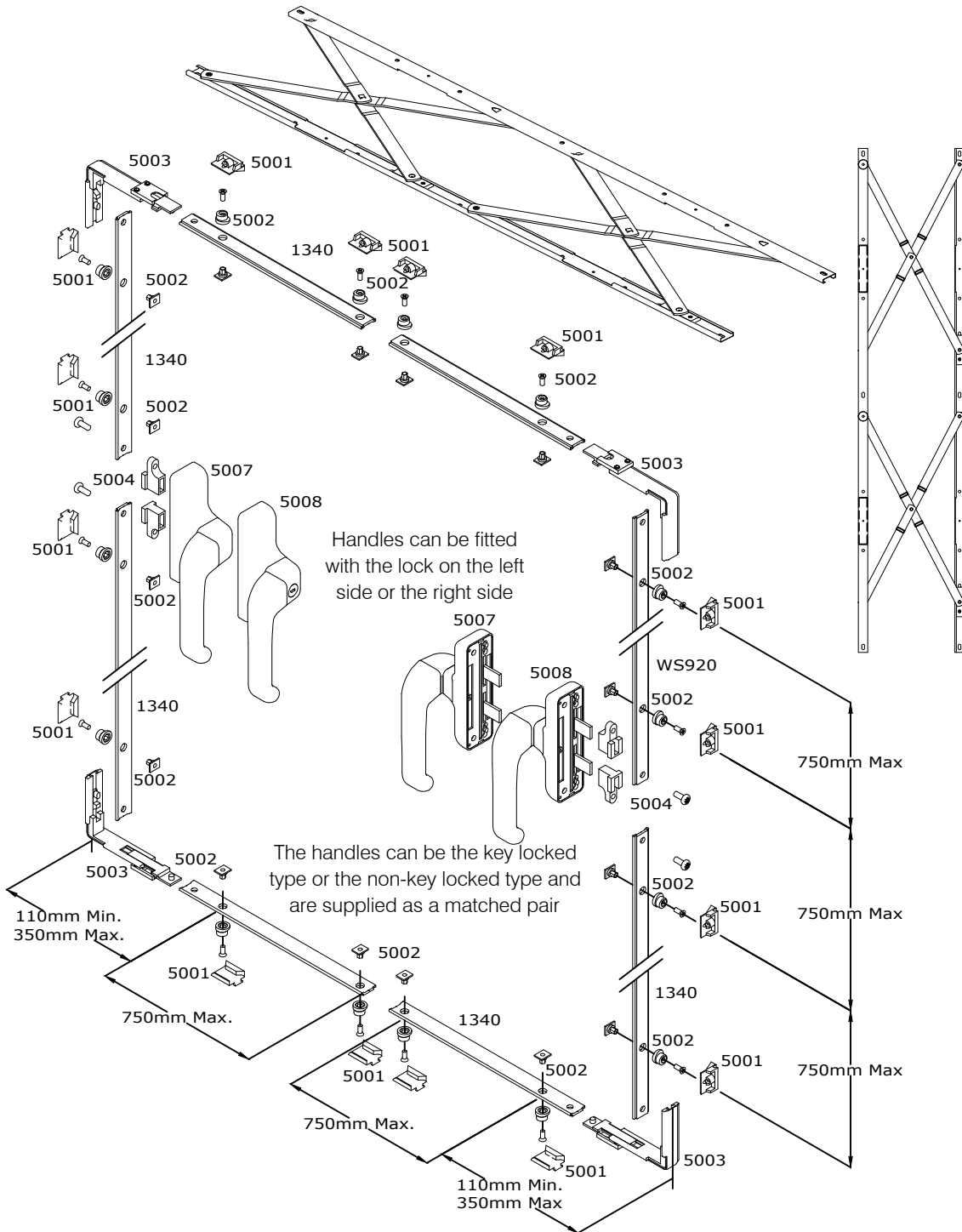
Copyright and ownership of this drawing is vested in EFT, Euro Facade Systems Ltd, whose prior written consent is required for its use, reproduction or for publication to any third party. All other rights reserved. Subject to modifications.

Parallel Hinge System
Twin dual hinge locking



9.10

Copyright and ownership of this drawing is vested in EFT, Euro Facade Systems Ltd, whose prior written consent is required for its use, reproduction or for publication to any third party. All other rights reserved. Subject to modifications.



Changes reserved
Sous reserve de modifications
Änderungen vorbehalten

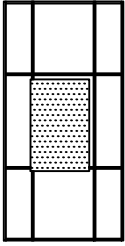
Issue:05
Date: 02 -17

Glazing charts

9

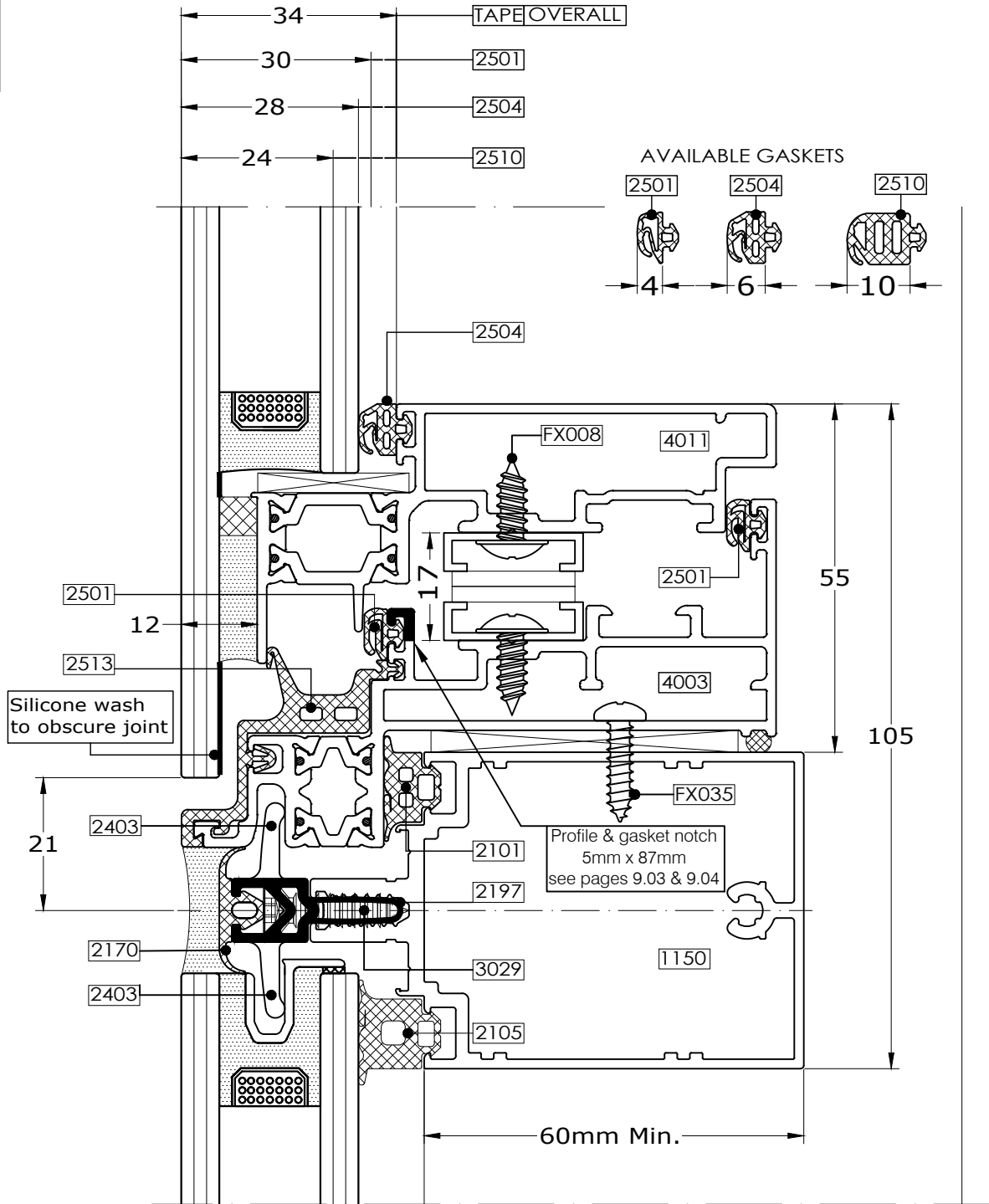
Comar 6EFT

Parallel Hinge System Glazing Chart - SG



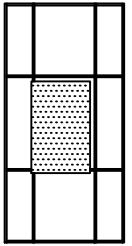
9.11

Fabricators Guide



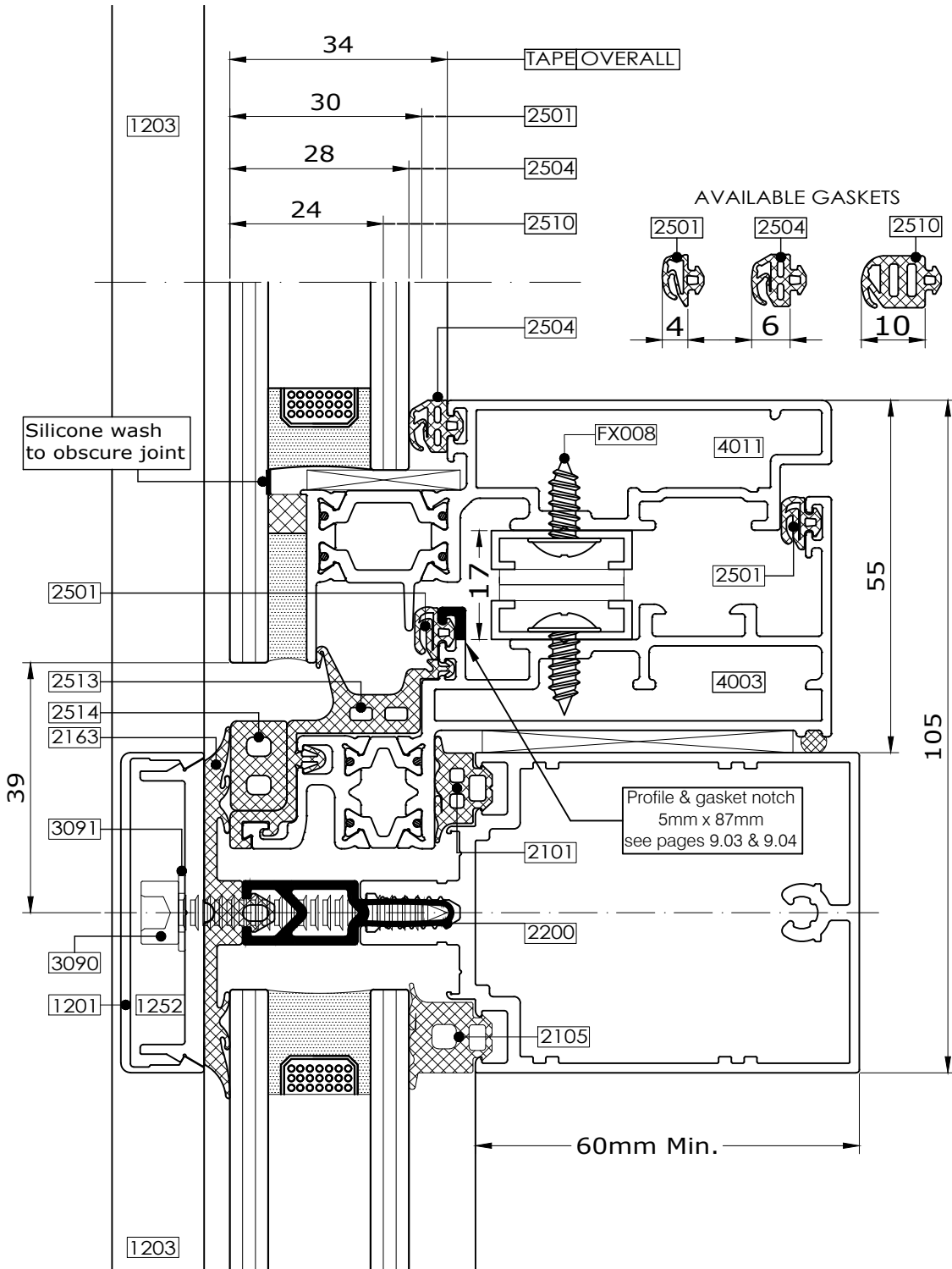
Copyright and ownership of this drawing is vested in EFT, Euro Facade Systems Ltd, whose prior written consent is required for its use, reproduction or for publication to any third party. All other rights reserved. Subject to modifications.

Parallel Hinge System
Glazing chart - Capped



9.12

Copyright and ownership of this drawing is vested in EFT, Euro Facade Systems Ltd, whose prior written consent is required for its use, reproduction or for publication to any third party. All other rights reserved. Subject to modifications.



Changes reserved
Sous reserve de modifications
Änderungen vorbehalten

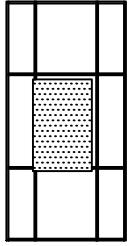
Issue:05
Date: 02 -17

Fabrication

9

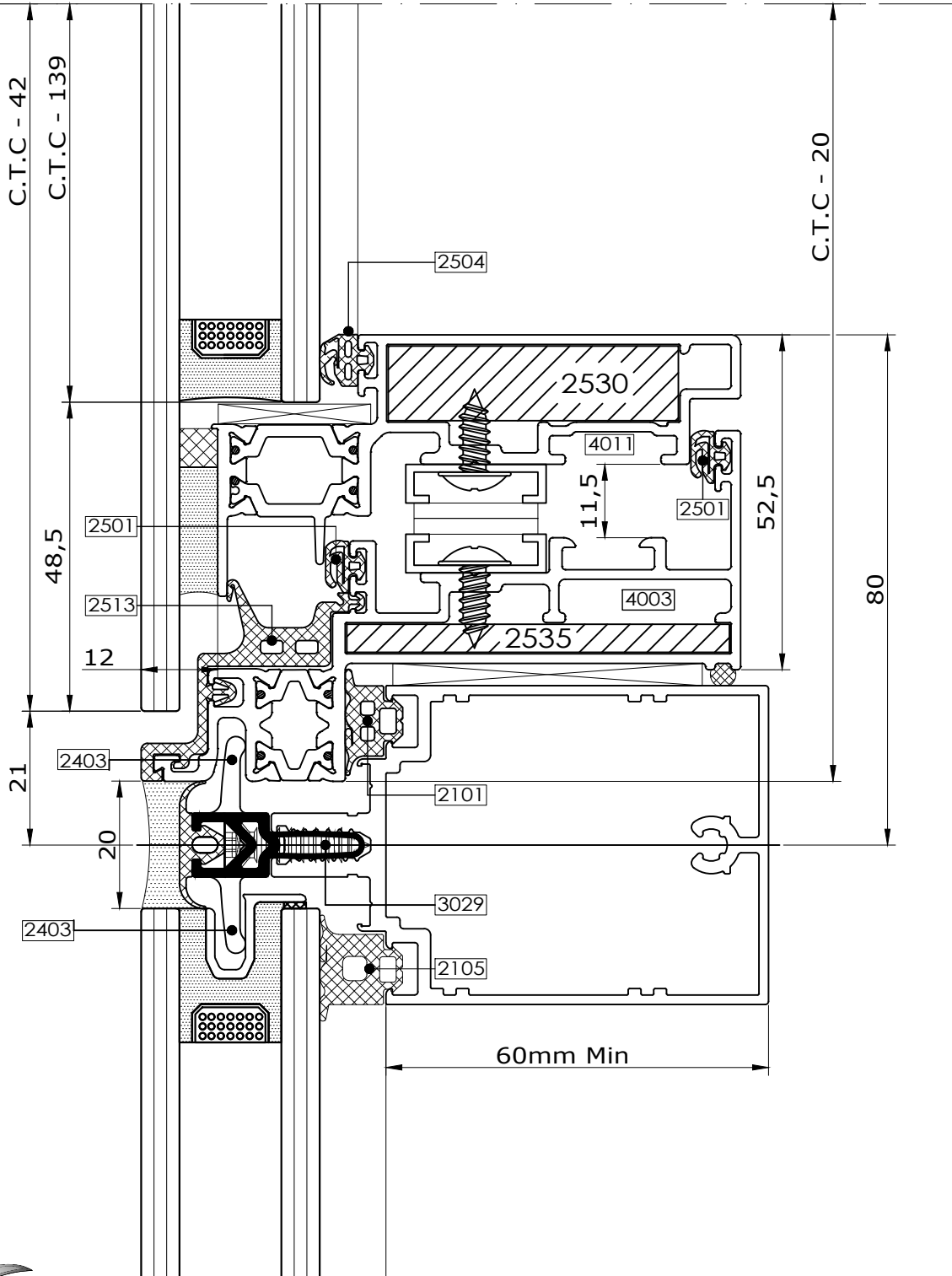
Comar 6EFT

Parallel Hinge System Cutting sizes 4003 / 4011 - SG



9.13

Fabricators Guide



Copyright and ownership of this drawing is vested in EFT, Euro Facade Systems Ltd, whose prior written consent is required for its use, reproduction or for publication to any third party. All other rights reserved. Subject to modifications.



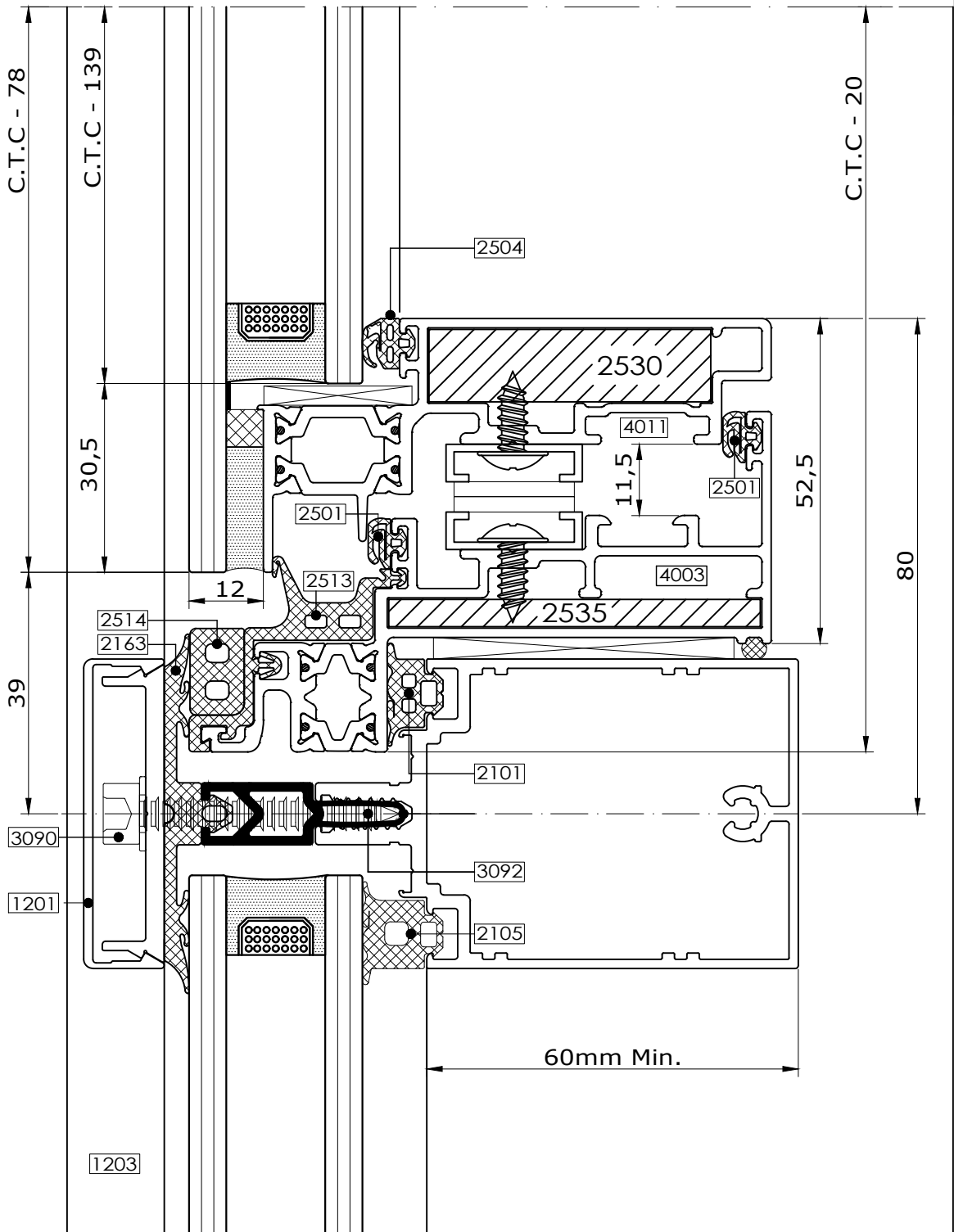
comar
ARCHITECTURAL ALUMINIUM SYSTEMS

Changes reserved
Sous reserve de modifications
Änderungen vorbehalten

Issue: 05
Date: 02 -17

Parallel Hinge System
Cutting sizes - 4003 / 4011 - Capped

Copyright and ownership of this drawing is vested in EFT, Euro Facade Systems Ltd, whose prior written consent is required for its use, reproduction or for publication to any third party. All other rights reserved. Subject to modifications.



9.14

Fabricators Guide

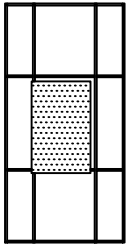
Changes reserved
Sous reserve de modifications
Änderungen vorbehalten

Issue:05
Date: 02 -17

Fabrication 9

Comar 6EFT

Parallel Hinge System
Drainage & Ventilation



Drainage: Option 1

Drainage through frame chamber

- 1 - Drill 6mm hole
- 2 - Mill slot 5x15mm, cut gasket 15mm
- 3 - Mill upstands away 10mm
- 4 - Drill 8mm hole
- 5 - Drill 8mm hole

Ventilation

(pressure equalization)

- 6 - Cut gasket 2513- 20mm
- 7 - Cut gasket 2501- 20mm
- 8 - Drill 5mm hole
- 9 - Drill 5mm hole

9.15

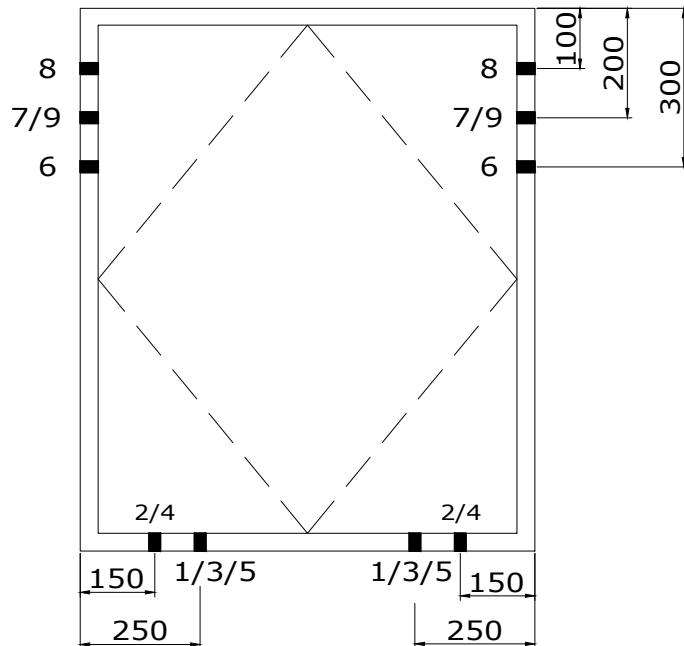
Drainage: Option 2

Drainage flash at window sill

- 1 - Mill slot 5x15mm, cut gasket 2501- 15mm
- 2 - Cut gasket 2513- 15mm
- 3 - Mill upstands away 10mm
- 4 - Drill 8mm hole
- 5 - Drill 8mm hole

Note:

Drainage and ventilation preparation is the same for capped and non capped concealed vent



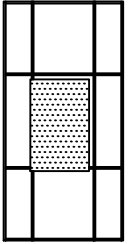
Copyright and ownership of this drawing is vested in EFT, Euro Facade Systems Ltd, whose prior written consent is required for its use, reproduction or for publication to any third party. All other rights reserved. Subject to modifications.

Copyright and ownership of this drawing is vested in EFT, Euro Facade Systems Ltd, whose prior written consent is required for its use, reproduction or for publication to any third party. All other rights reserved. Subject to modifications.

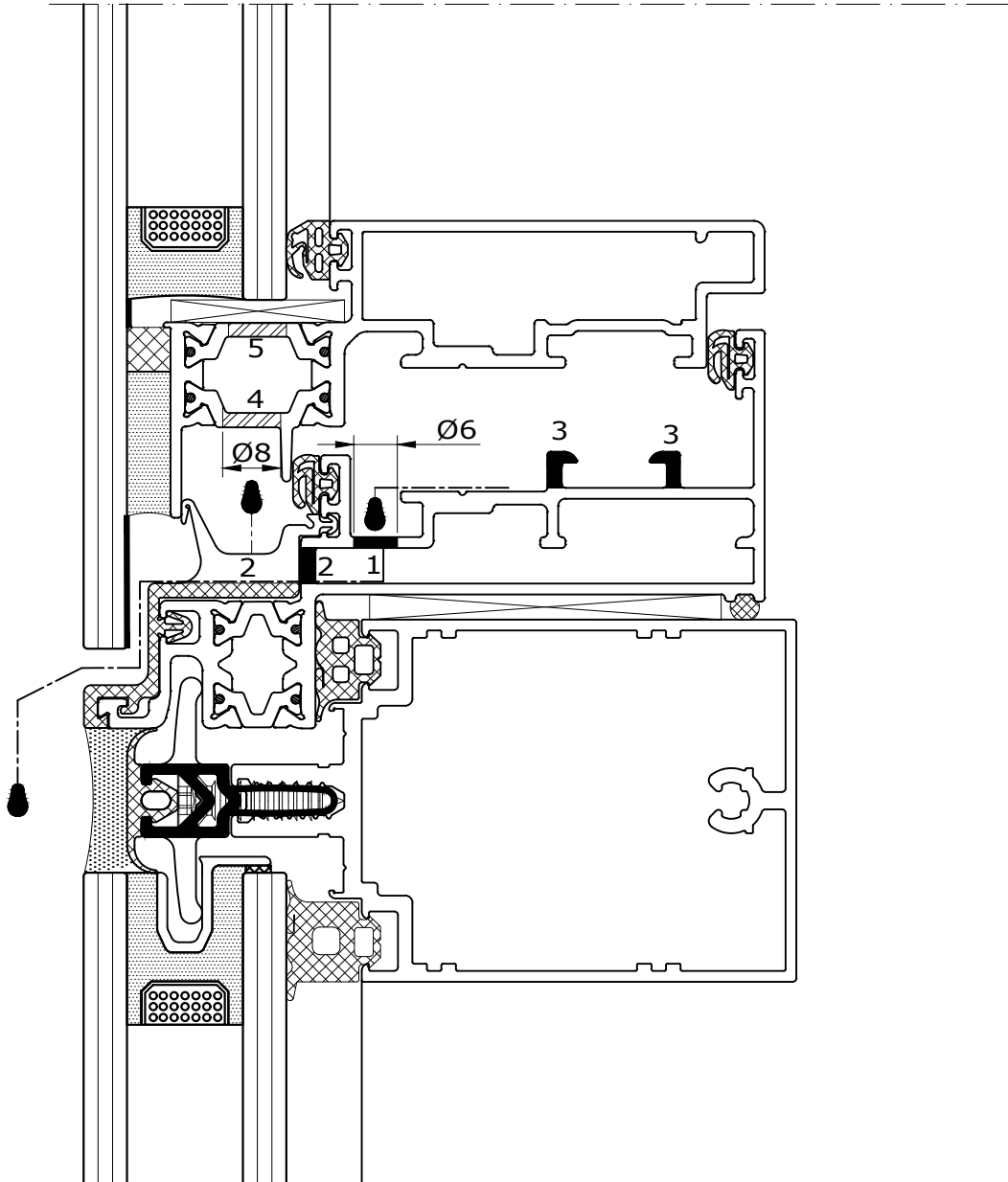
9

Parallel Hinge System Drainage Option 1

Fabrication
Comar 6EFT



9.16



Fabricators Guide

Changes reserved
Sous reserve de modifications
Änderungen vorbehalten

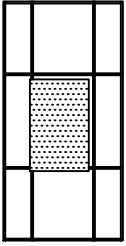
Issue:05
Date: 02 -17

Fabrication

9

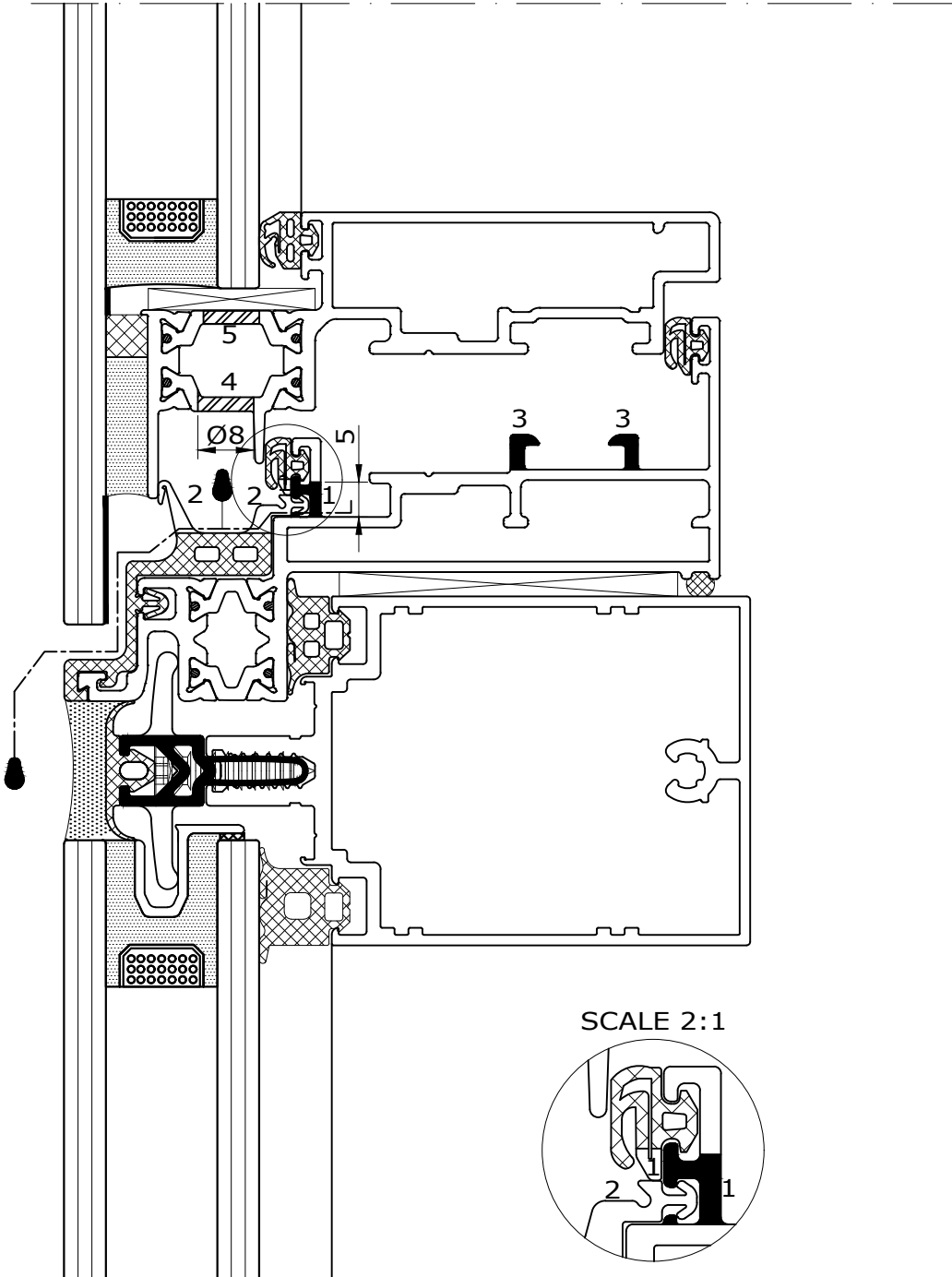
Comar 6EFT

Parallel Hinge System
Drainage Option 2



9.17

Fabricators Guide



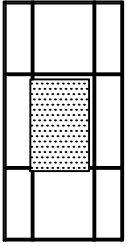
Copyright and ownership of this drawing is vested in EFT,
Euro Facade Systems Ltd, whose prior written consent is required
for its use, reproduction or for publication to any third party.
All other rights reserved. Subject to modifications.

Copyright and ownership of this drawing is vested in EFT,
Euro Facade Systems Ltd, whose prior written consent is required
for its use, reproduction or for publication to any third party.
All other rights reserved. Subject to modifications.

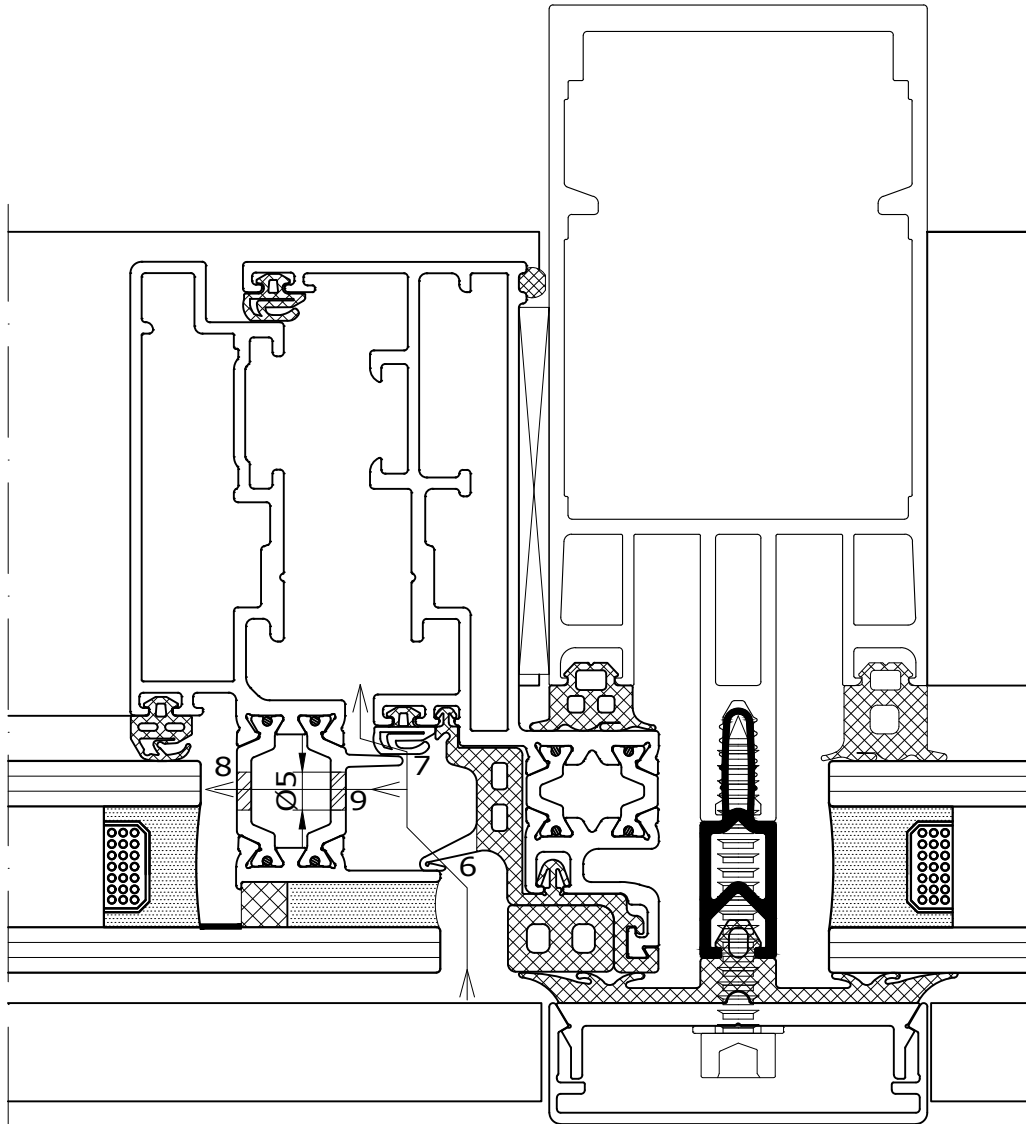
Parallel Hinge System Ventilation

9

Fabrication
Comar 6EFT



9.18



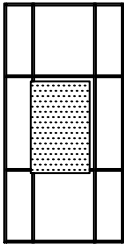
Fabricators Guide

Changes reserved
Sous reserve de modifications
Änderungen vorbehalten

Issue:05
Date: 02 -17

Comar 6EFT

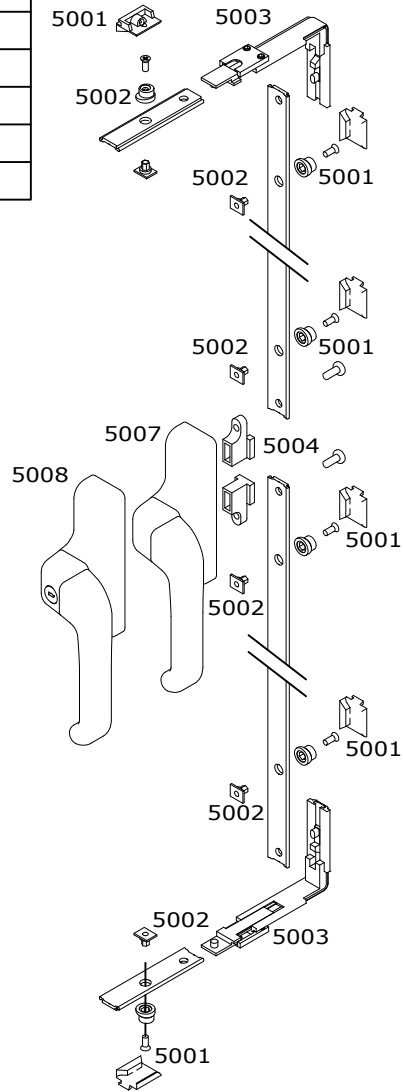
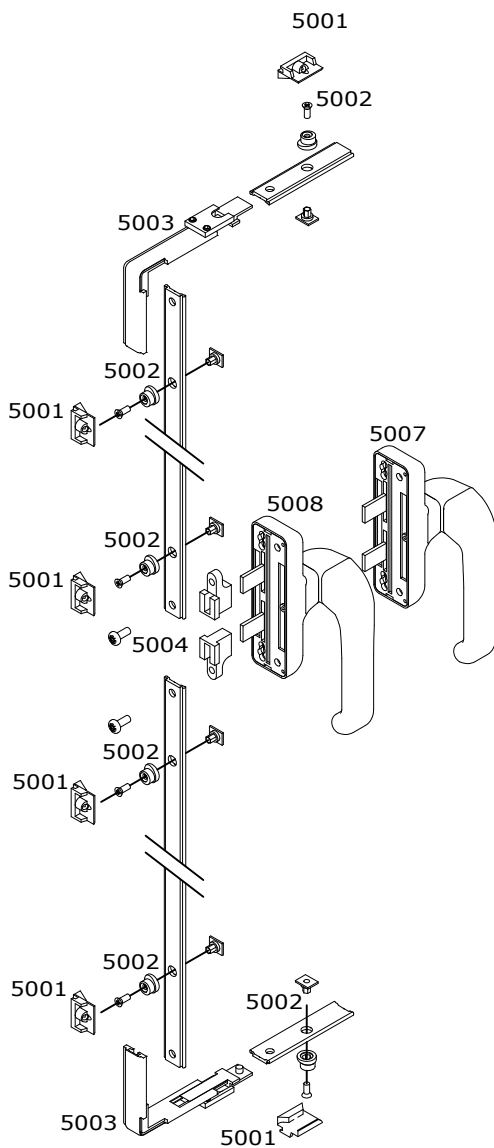
Parallel Hinge System
Hardware Overview



Part no.	Description	Locking	
		2 points	4 points
1340	Drive rods	see 8.81	see 8.81
5001	Curtain wall striker	2 of	4 of
5002	Adjustable pawl	2 of	4 of
5003	Corner cleat	0 of	2 of
5004	Connection block	1 of	1 of
5007	Handle - non locking	1 of	1 of
5008	Handle - locking	1 of	1 of

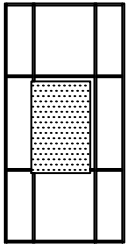
9.19

Fabricators Guide



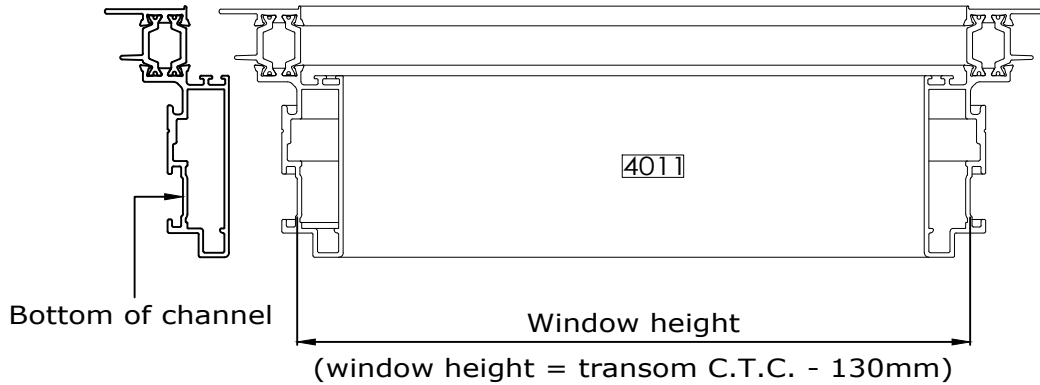
Copyright and ownership of this drawing is vested in EFT, Euro Facade Systems Ltd, whose prior written consent is required for its use, reproduction or for publication to any third party. All other rights reserved. Subject to modifications.

Parallel Hinge System
Drive rod preparation

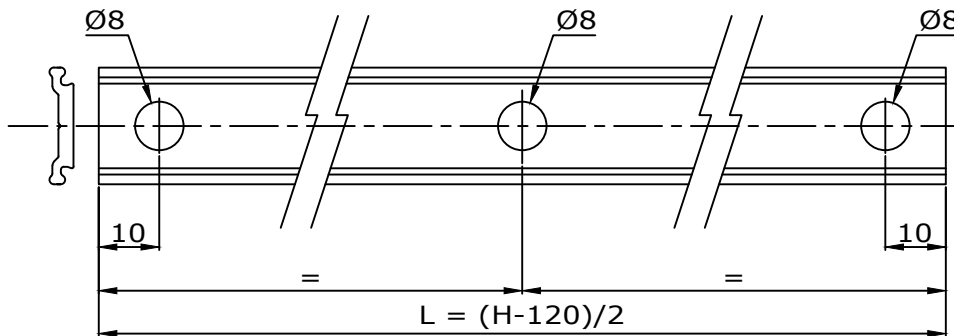


4 POINTS LOCKING: Rod lengths = window height - 124mm/2
2 POINTS LOCKING: Rod lengths = window height - 79mm/2

Window width measured along bottom of channel

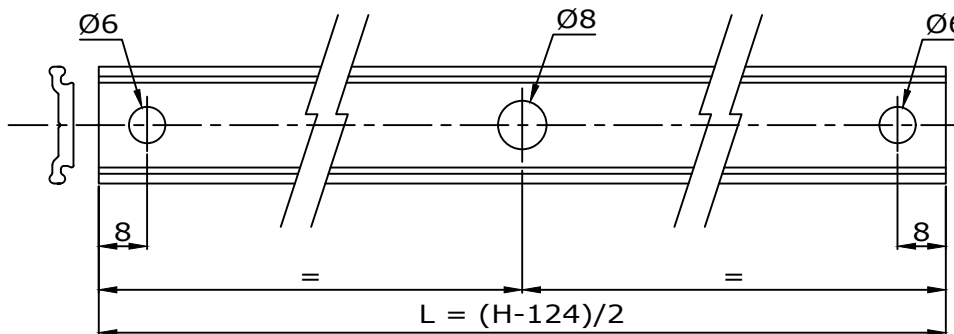


9.20



x2

"OR"



x2

Copyright and ownership of this drawing is vested in EFT, Euro Facade Systems Ltd, whose prior written consent is required for its use, reproduction or for publication to any third party. All other rights reserved.

Changes reserved
Sous reserve de modifications
Änderungen vorbehalten

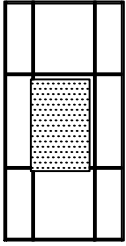
Issue:05
Date: 02 -17

Fabrication

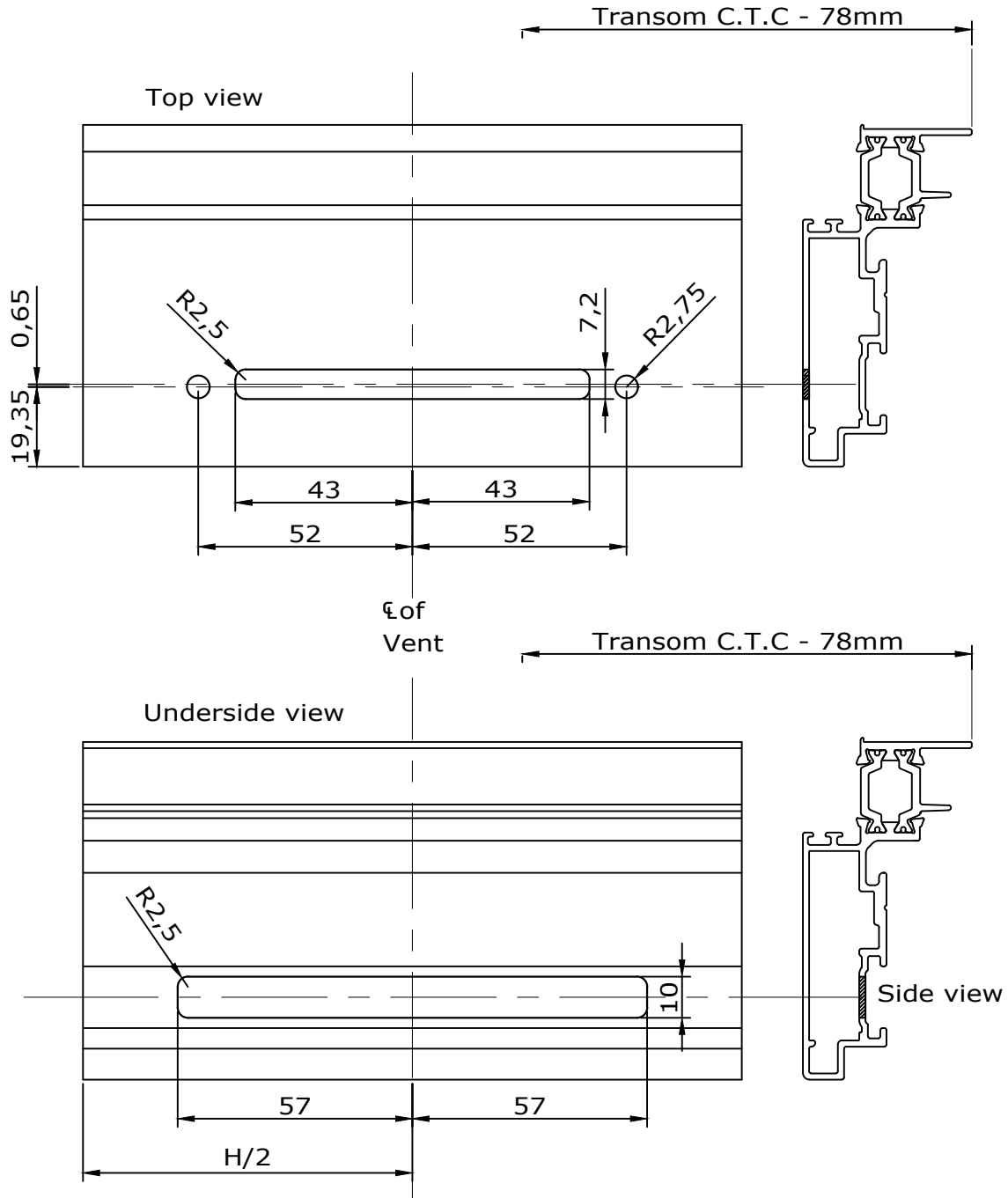
9

Comar 6EFT

Parallel Hinge System
Handle preparation



9.21



Copyright and ownership of this drawing is vested in EFT,
Euro Facade Systems Ltd, whose prior written consent is required
for its use, reproduction or for publication to any third party.
All other rights reserved. Subject to modifications.

Fabricators Guide

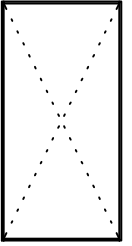
Copyright and ownership of this drawing is vested in EFT,
Euro Facade Systems Ltd, whose prior written consent is required
for its use, reproduction or for publication to any third party.
All other rights reserved. Subject to modifications.

Future Additions

9

Fabrication

Comar 6EFT



9.22-9.99

FUTURE
ADDITION

Fabricators Guide

Changes reserved
Sous reserve de modifications
Änderungen vorbehalten

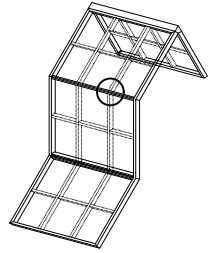
Issue: 05
Date: 02 -17

10

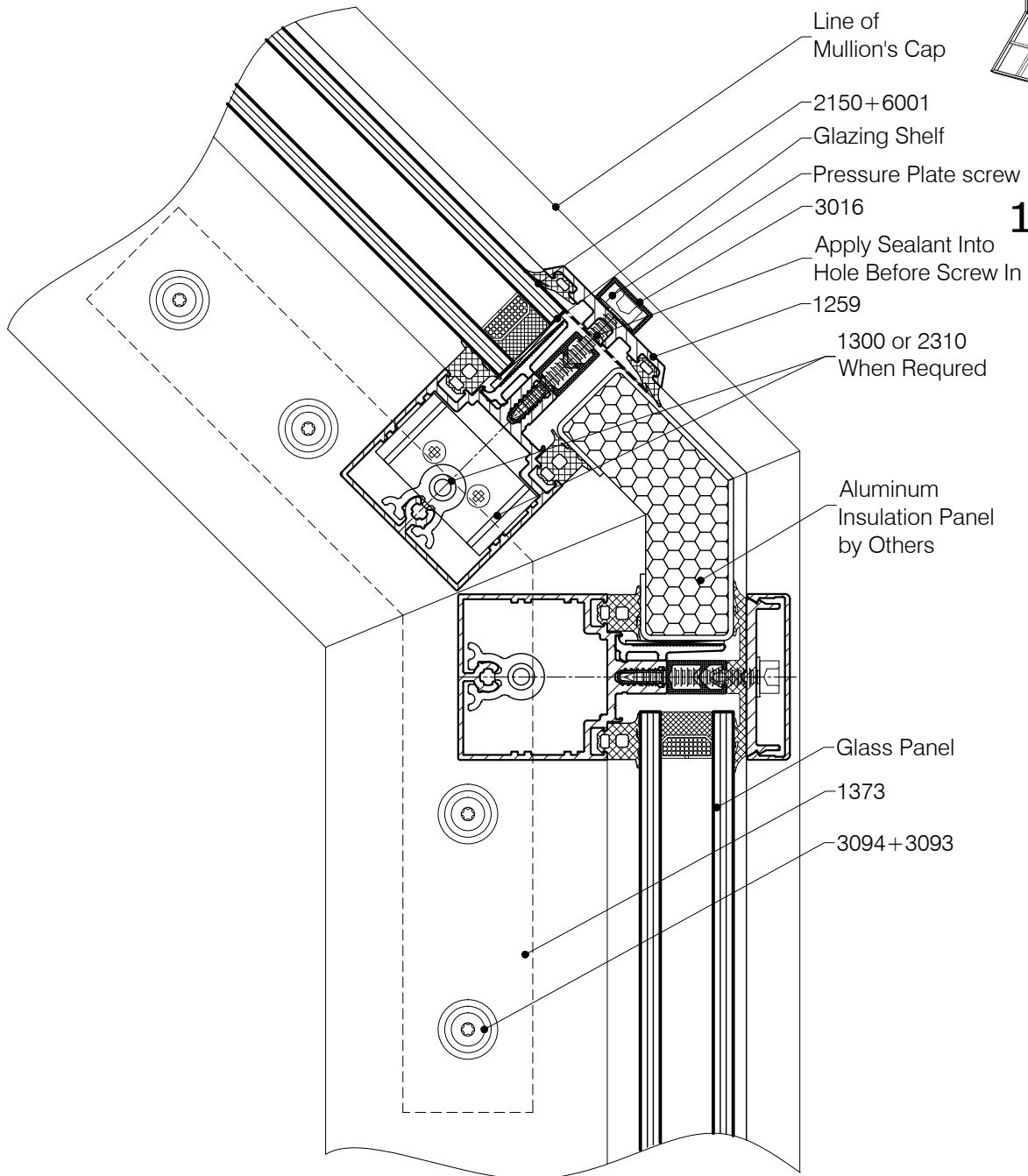
Sloped Roof

Comar 6EFT

Outer Corner



Copyright and ownership of this drawing is vested in EFT. Euro F acade Systems Ltd, whose prior written consent is required for its use, reproduction or for publication to any third party. All other rights reserved. Subject to modifications.



Line of Mullion's Cap

2150+6001

Glazing Shelf

Pressure Plate screw

3016

Apply Sealant Into Hole Before Screw In

1259

1300 or 2310 When Required

Aluminum Insulation Panel by Others

Glass Panel

1373

3094+3093

10.01

Fabricators Guide

Changes reserved
Sous reserve de modifications
 nderungen vorbehalten

ISSUE : 04
DATE : 10-15



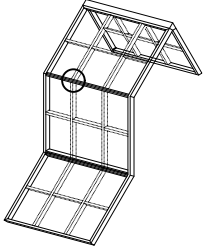
comar
ARCHITECTURAL ALUMINIUM SYSTEMS

Sloped Roof

10

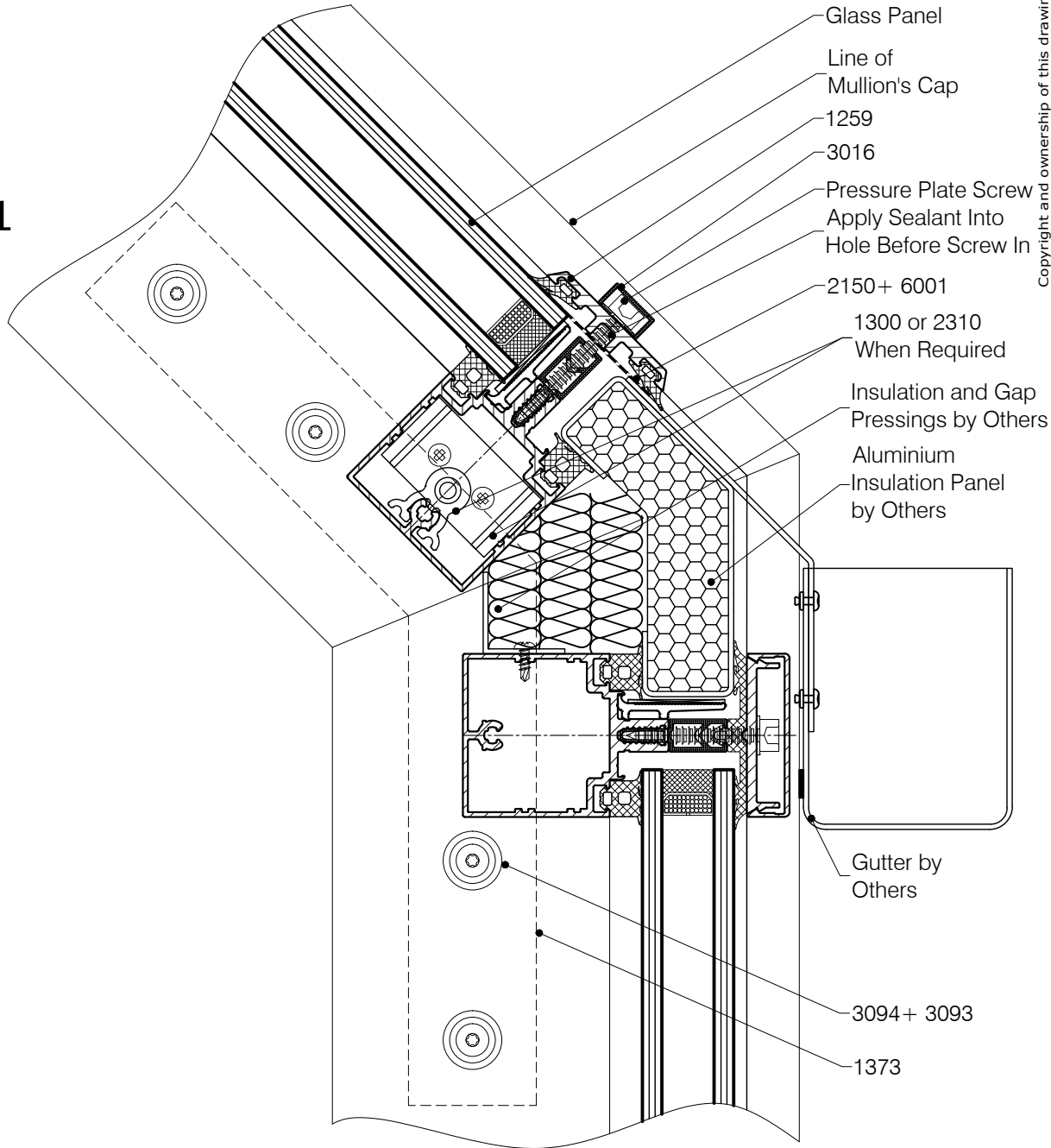
Comar 6EFT

Outer Corner



10.01

Fabricators Guide



Copyright and ownership of this drawing is vested in EFT, Euro Facade Systems Ltd, whose prior written consent is required for its use, reproduction or for publication to any third party. All other rights reserved. Subject to modifications.



comar

ARCHITECTURAL ALUMINIUM SYSTEMS

Changes reserved
 Sous reserve de modifications
 Änderungen vorbehalten

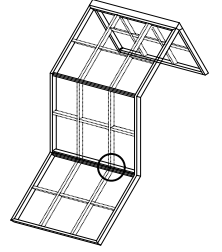
ISSUE : 04
 DATE : 10-15

10

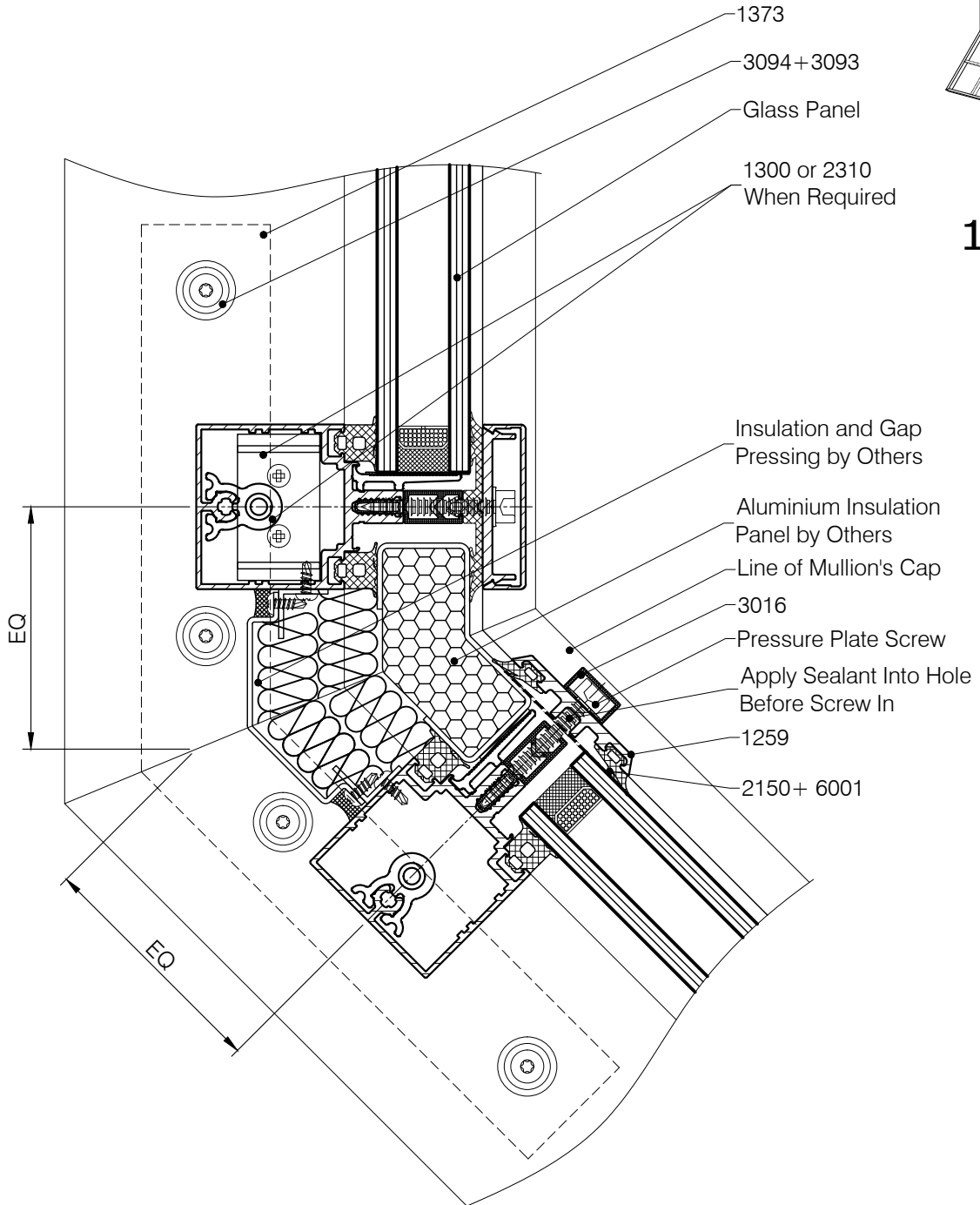
Sloped Roof

Comar 6EFT

Inner Corner



Copyright and ownership of this drawing is vested in EFT, Euro F acade Systems Ltd, whose prior written consent is required for its use, reproduction or for publication to any third party. All other rights reserved. Subject to modifications.



1373

3094+3093

Glass Panel

1300 or 2310
When Required

10.03

Insulation and Gap
Pressing by Others

Aluminium Insulation
Panel by Others

Line of Mullion's Cap

3016

Pressure Plate Screw

Apply Sealant Into Hole
Before Screw In

1259

2150+ 6001

EQ

EQ

Fabricators Guide

Changes reserved
Sous reserve de modifications
 nderungen vorbehalten

ISSUE : 04
DATE : 10-15



comar

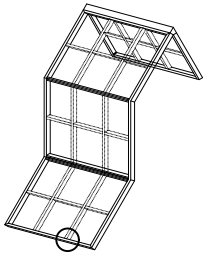
ARCHITECTURAL ALUMINIUM SYSTEMS

Sloped Roof

10

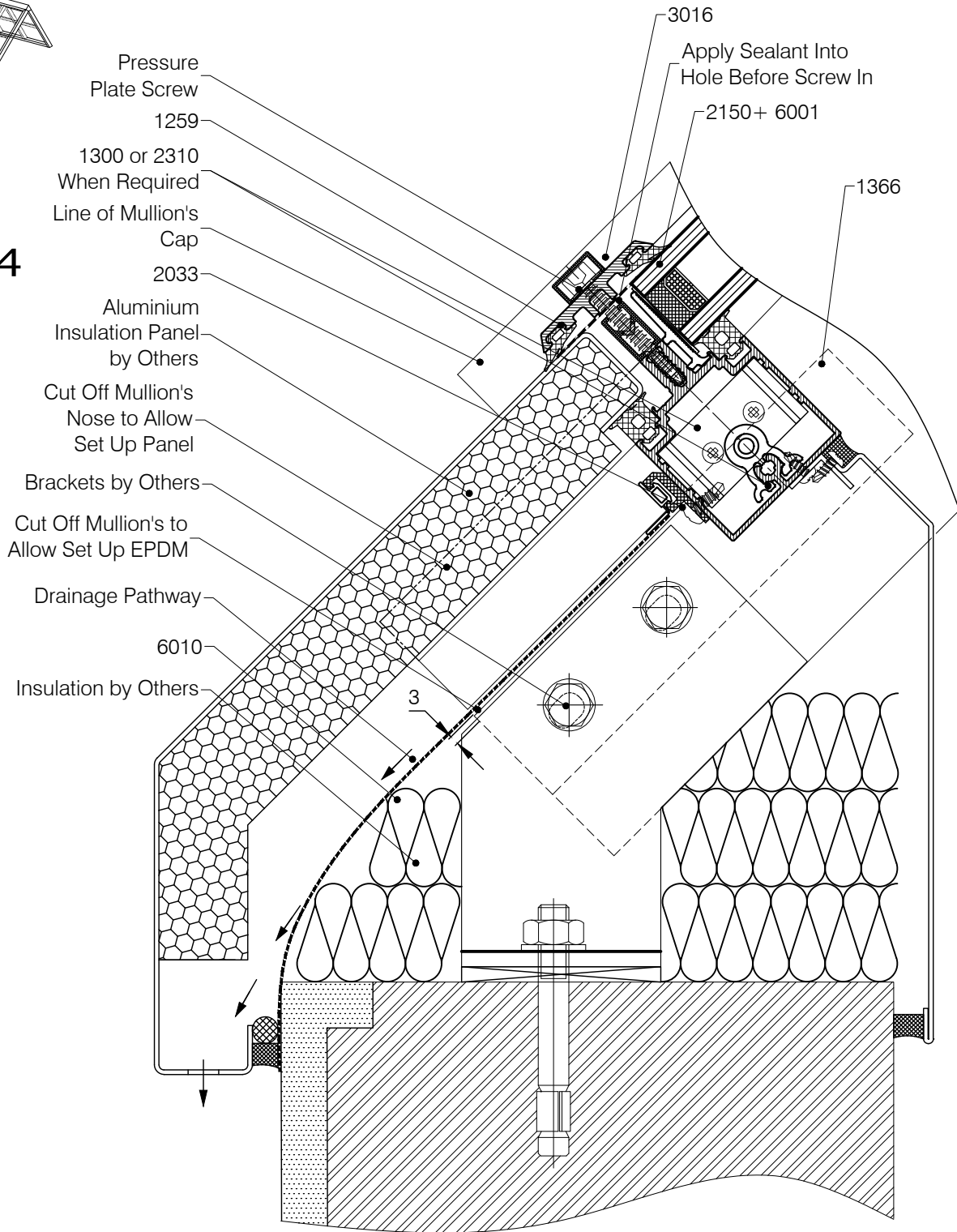
Comar 6EFT

Base Transom to Structure



10.04

Fabricators Guide



Copyright and ownership of this drawing is vested in EFT, Euro Facade Systems Ltd, whose prior written consent is required for its use, reproduction or for publication to any third party. All other rights reserved. Subject to modifications.

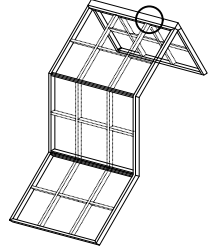


comar
ARCHITECTURAL ALUMINIUM SYSTEMS

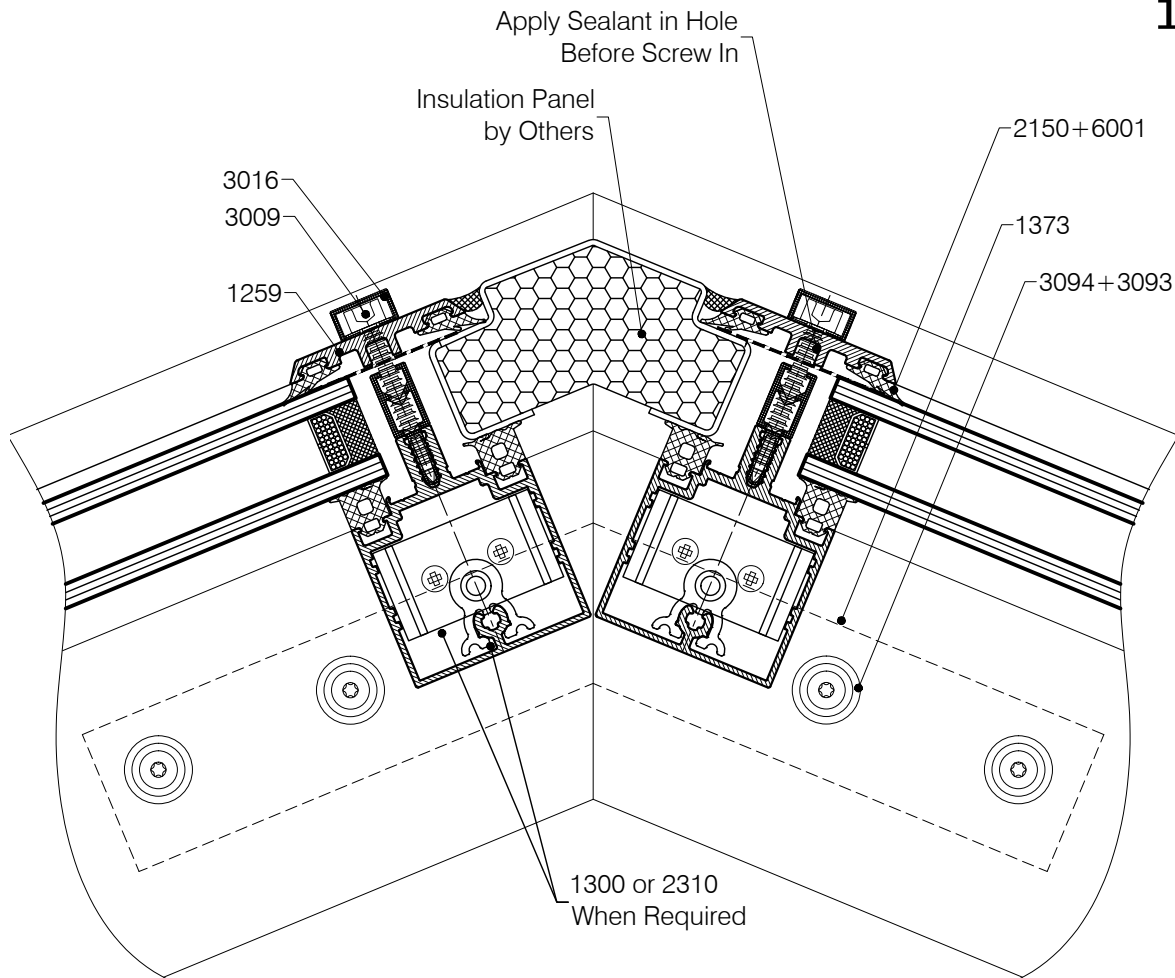
Changes reserved
Sous reserve de modifications
Änderungen vorbehalten

ISSUE : 04
DATE : 10.15

Roof Apex



10.05



Fabricators Guide

Copyright and ownership of this drawing is vested in EFT, Euro F acade Systems Ltd, whose prior written consent is required for its use, reproduction or for publication to any third party. All other rights reserved. Subject to modifications.

Changes reserved
 Sous reserve de modifications
  nderungen vorbehalten

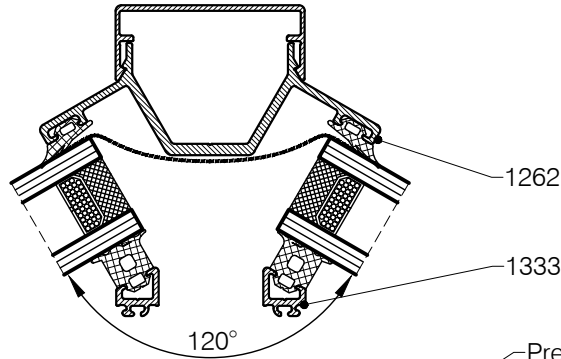
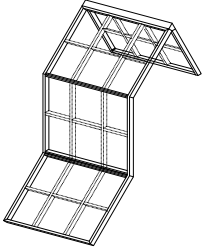
ISSUE : 04
 DATE : 10-15

Sloped Roof

10

Comar 6EFT

Ridge Top

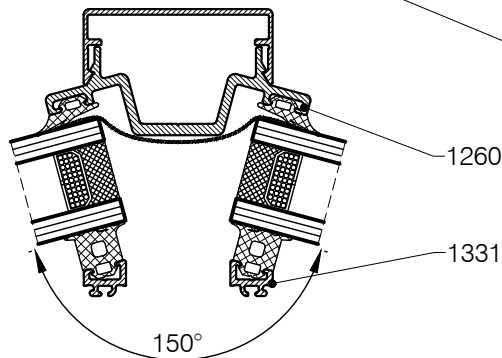
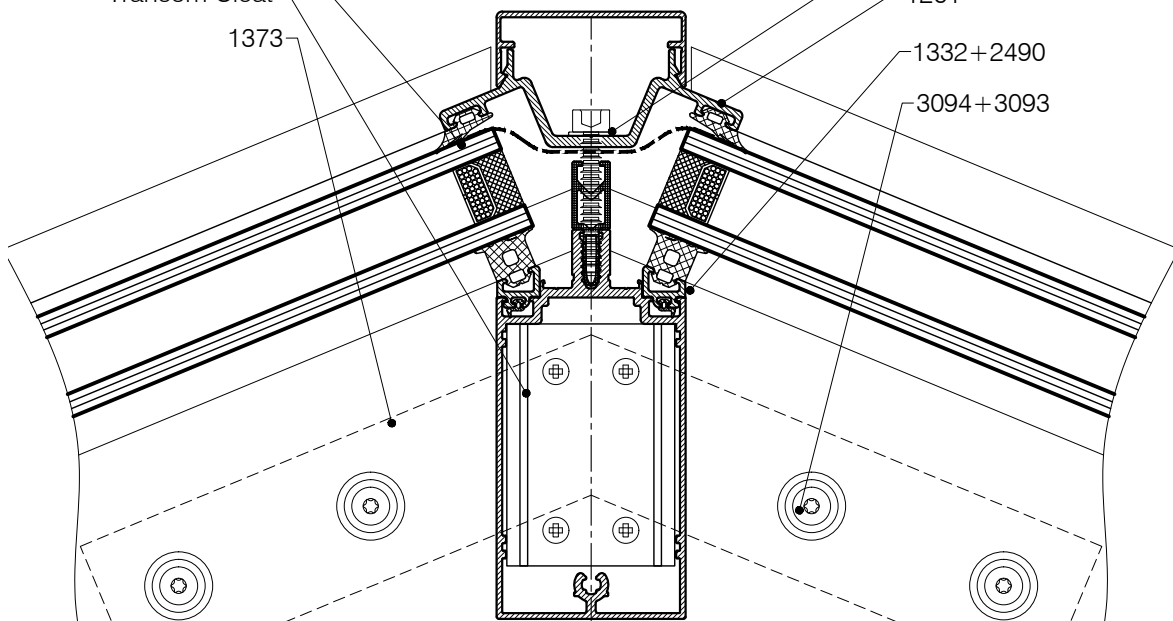


10.06

2150+ 6002
Transom Cleat
1373

Pressure Plate Screw
1261
1332+2490
3094+3093

Fabricators Guide



Copyright and ownership of this drawing is vested in EFT, Euro Facade Systems Ltd, whose prior written consent is required for its use, reproduction or for publication to any third party. All other rights reserved. Subject to modifications.

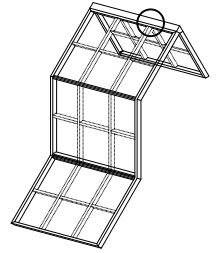


comar
ARCHITECTURAL ALUMINIUM SYSTEMS

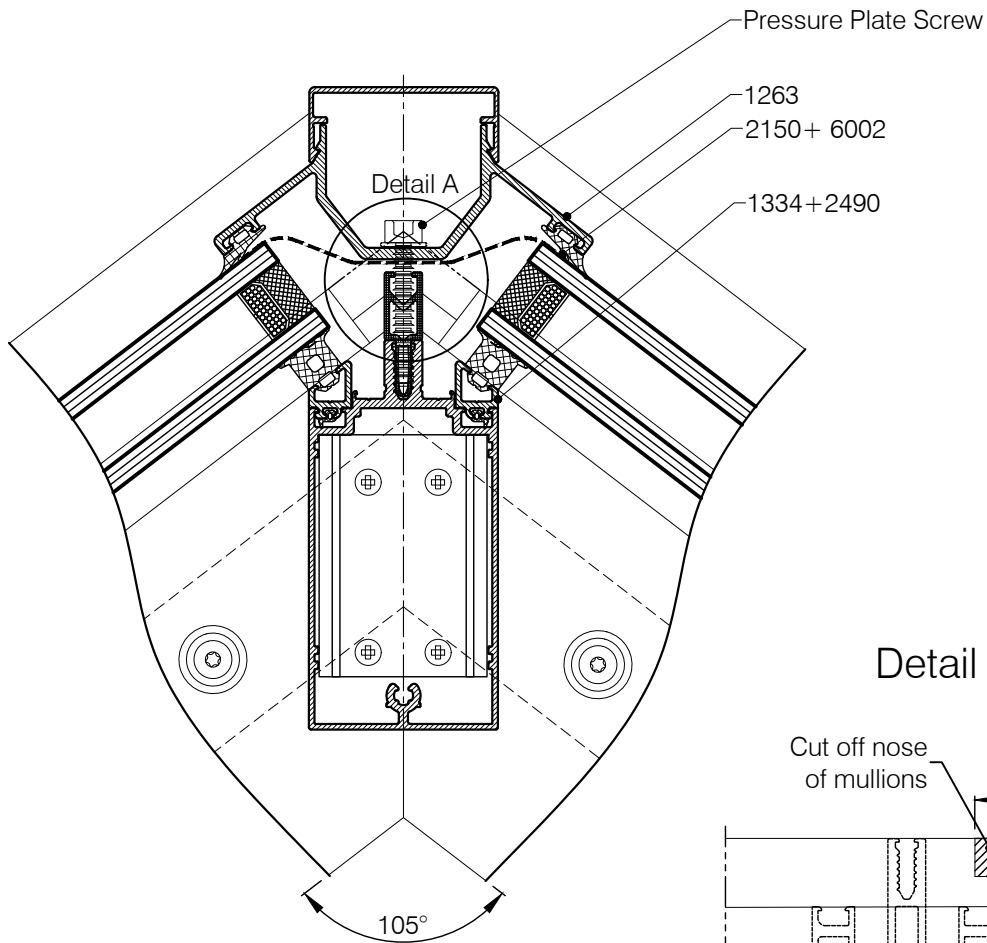
Changes reserved
Sous reserve de modifications
Änderungen vorbehalten

ISSUE : 04
DATE : 10.15

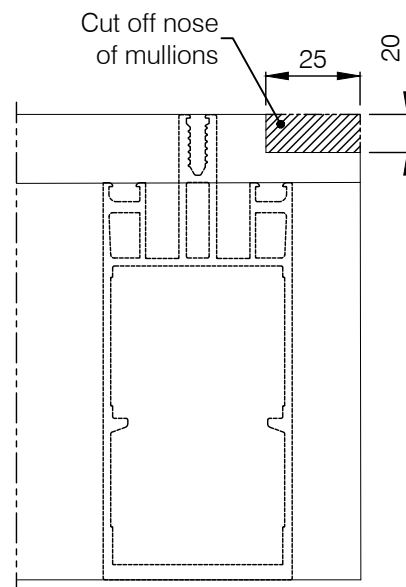
Ridge Top 105°
Mullion Preparation



10.07



Detail A



Fabricators Guide

Copyright and ownership of this drawing is vested in EFT.
Euro F acade Systems Ltd, whose prior written consent is required
for its use, reproduction or for publication to any third party.
All other rights reserved. Subject to modifications.

Changes reserved
Sous reserve de modifications
 nderungen vorbehalten

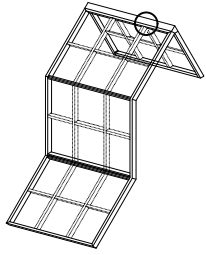
ISSUE : 04
DATE : 10-15

Sloped Roof

10

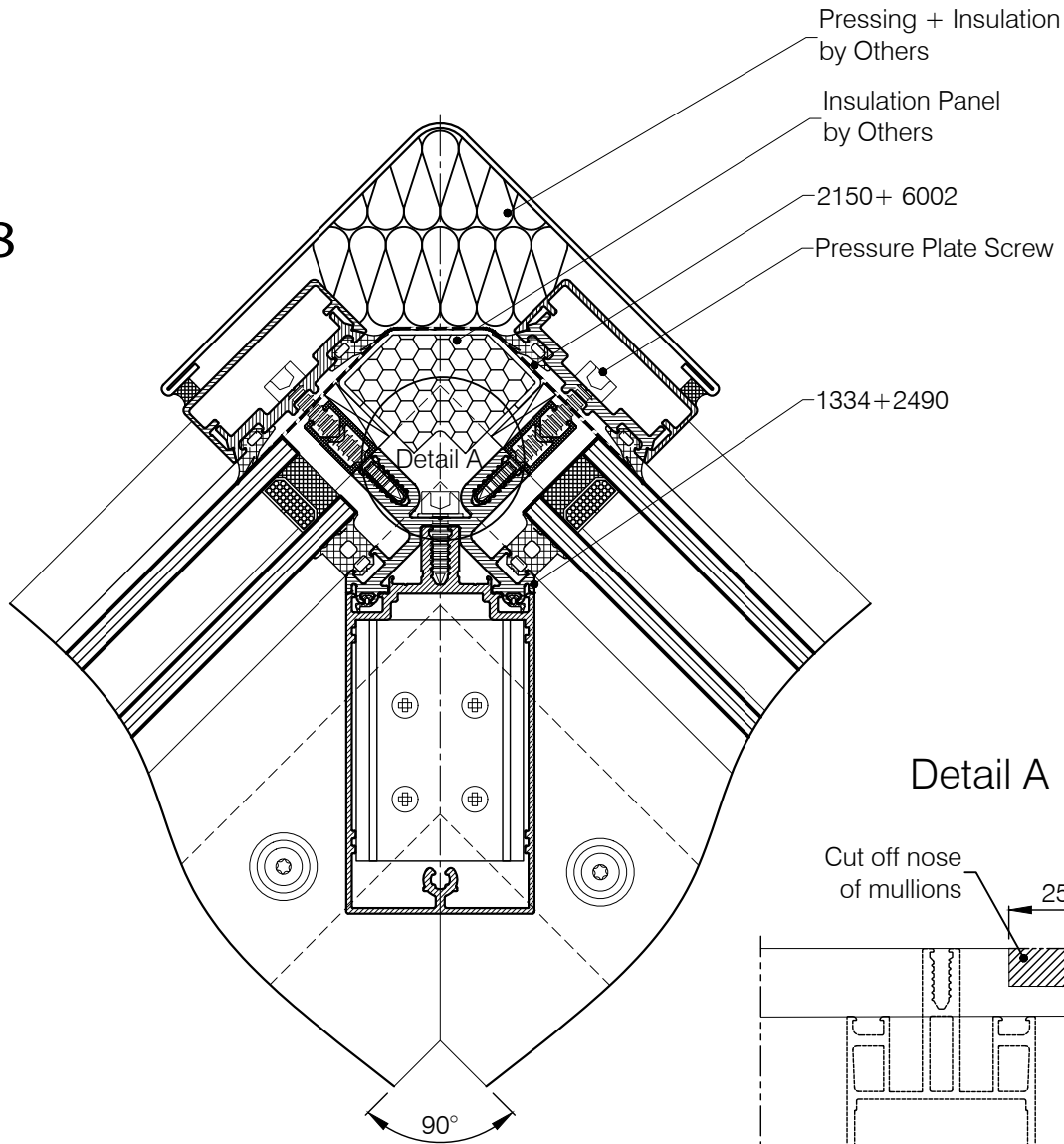
Comar 6EFT

Ridge Top 90° Mullion Preparation

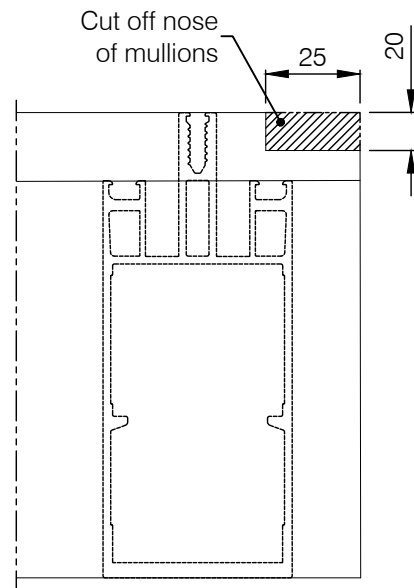


10.08

Fabricators Guide



Detail A



Copyright and ownership of this drawing is vested in EFT, Euro Facade Systems Ltd, whose prior written consent is required for its use, reproduction or for publication to any third party. All other rights reserved. Subject to modifications.

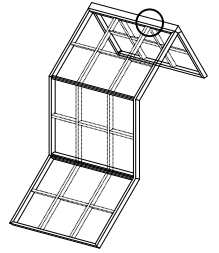


comar
ARCHITECTURAL ALUMINIUM SYSTEMS

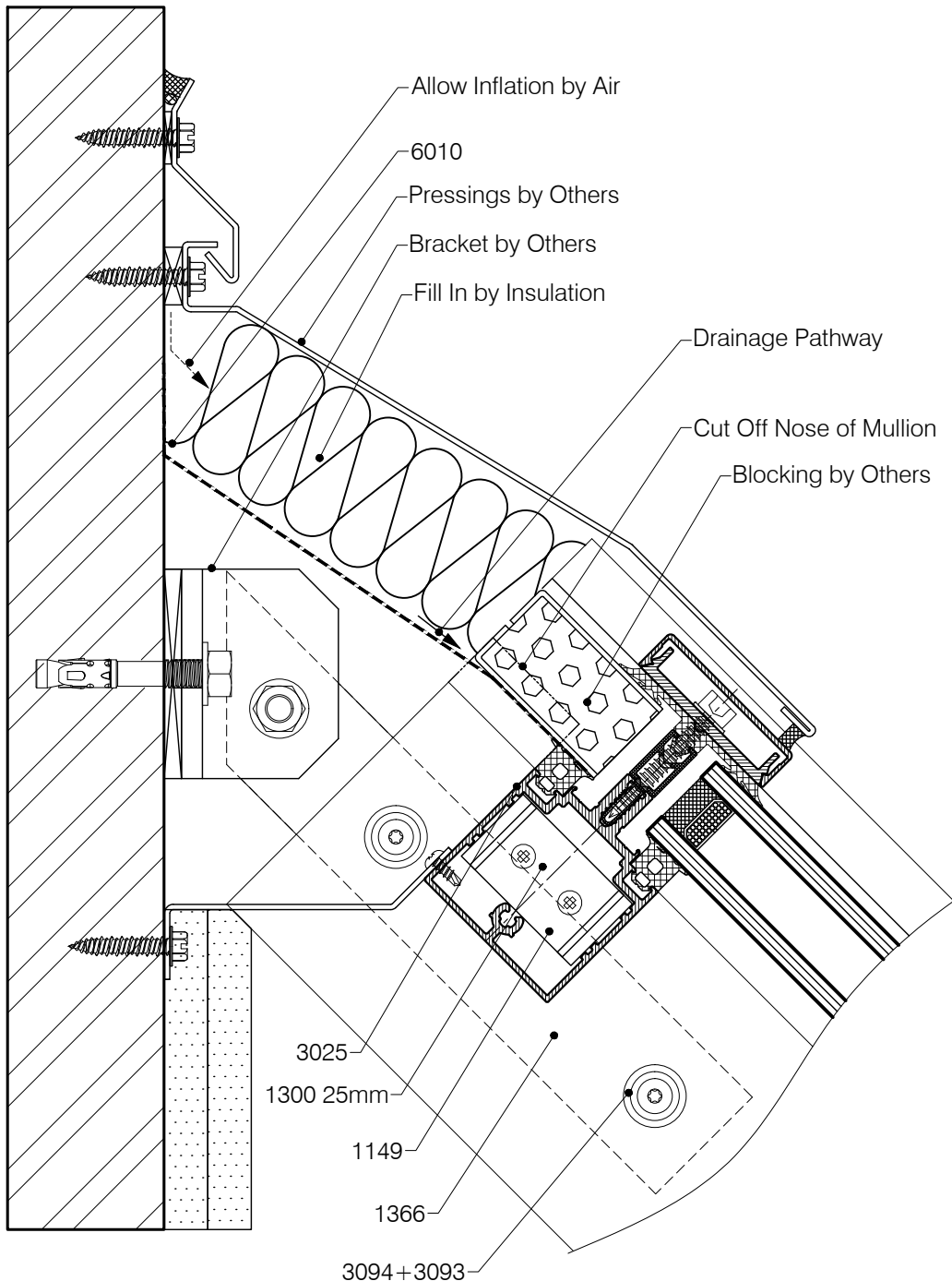
Changes reserved
Sous reserve de modifications
Änderungen vorbehalten

ISSUE : 04
DATE : 10.15

Top at Wall



10.09



Fabricators Guide

Copyright and ownership of this drawing is vested in EFT, Euro Facade Systems Ltd, whose prior written consent is required for its use, reproduction or for publication to any third party. All other rights reserved. Subject to modifications.

Changes reserved
 Sous reserve de modifications
 Änderungen vorbehalten

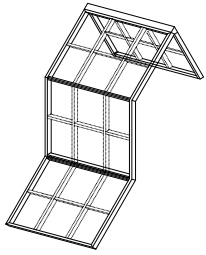
ISSUE : 04
 DATE : 10-15

Sloped Roof

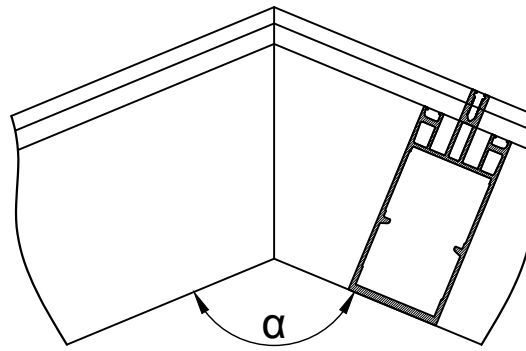
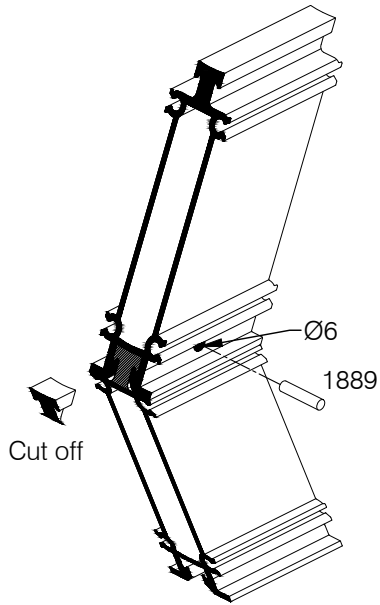
10

Comar 6EFT

Mullion's Connector 1373 Preparation



10.10

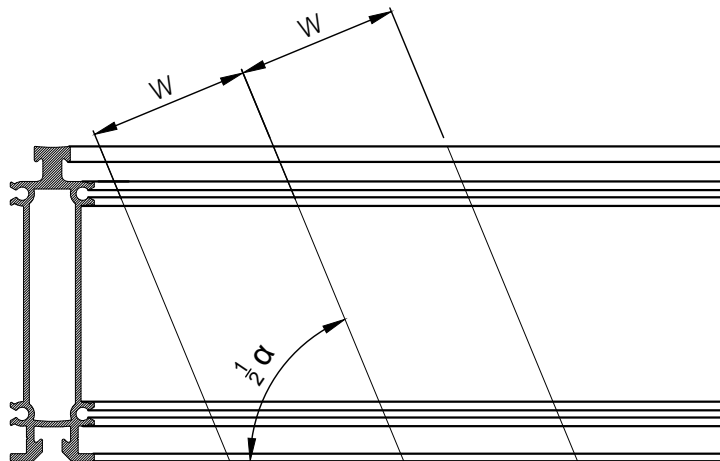


1070, 1072 $W_1=39.5$ mm

1069, 1073
1074, 1075 $W_2=85$ mm
1076

1069, 1073 $W_1=39.5$ mm + $W_2=85$ mm
1074, 1075

Fabricators Guide



Copyright and ownership of this drawing is vested in EFT, Euro Facade Systems Ltd, whose prior written consent is required for its use, reproduction or for publication to any third party. All other rights reserved. Subject to modifications.

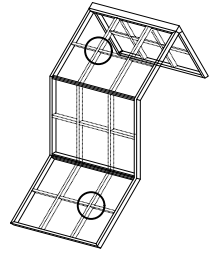


comar
ARCHITECTURAL ALUMINIUM SYSTEMS

Changes reserved
Sous reserve de modifications
Änderungen vorbehalten

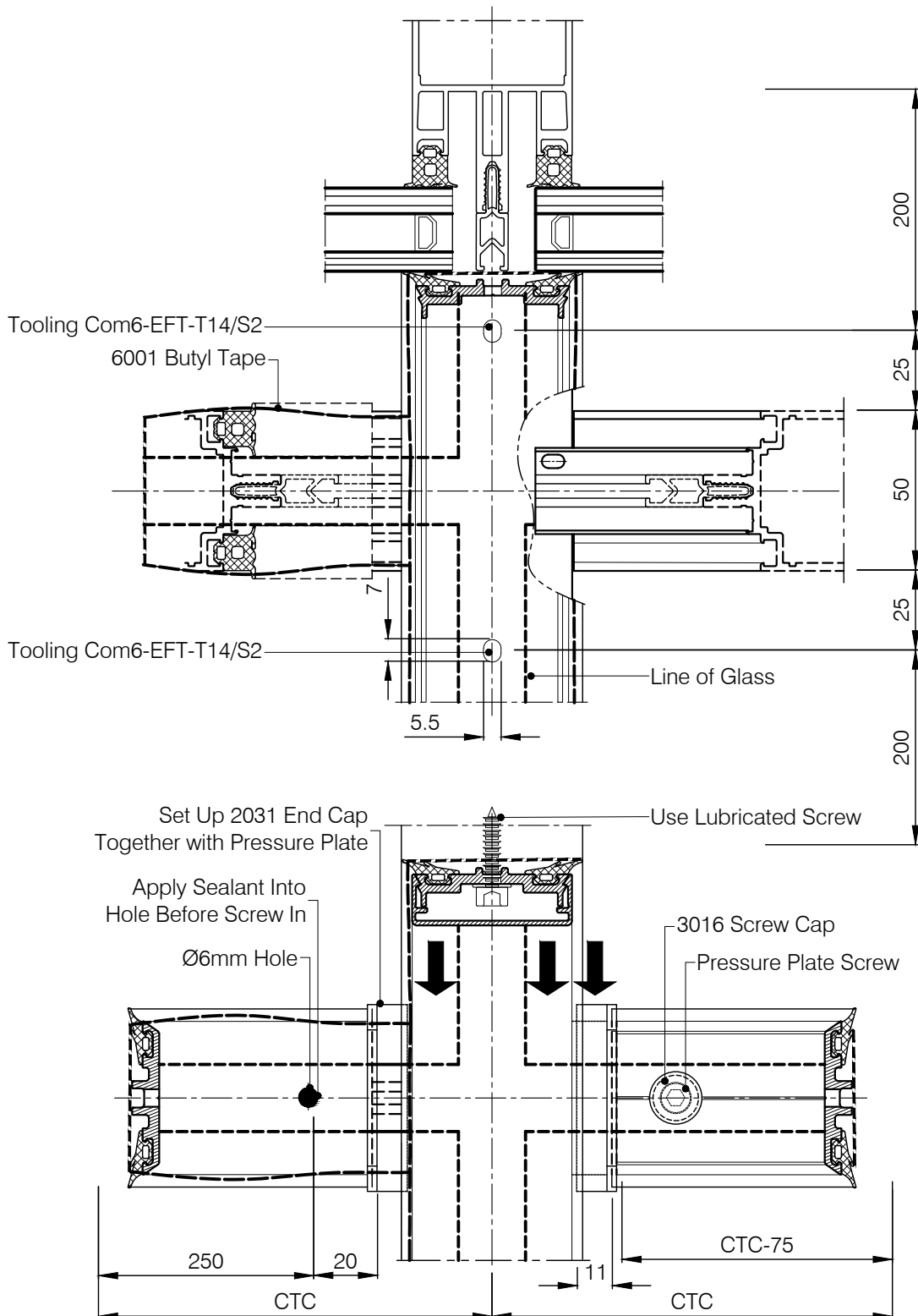
ISSUE : 04
DATE : 10.15

Pressure Plate Junction



10.11

Fabricators Guide



Copyright and ownership of this drawing is vested in EFT. Euro F acade Systems Ltd, whose prior written consent is required for its use, reproduction or for publication to any third party. All other rights reserved. Subject to modifications.

Changes reserved
 Sous reserve de modifications
  nderungen vorbehalten

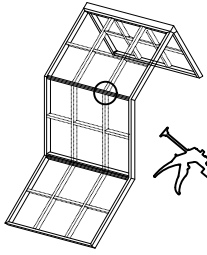
ISSUE : 04
 DATE : 10-15

Sloped Roof

10

Comar 6EFT

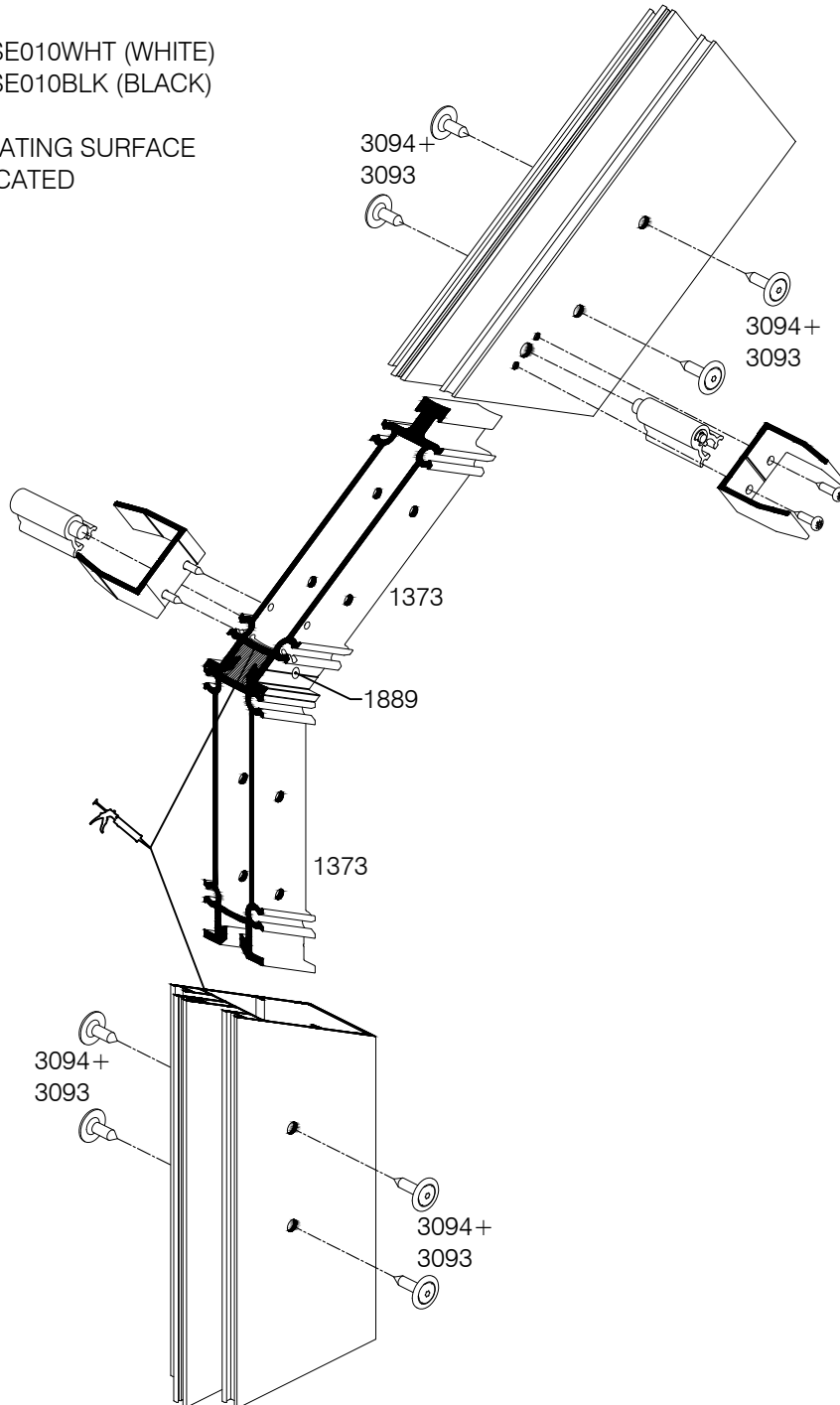
Mullion's Corner Assembly



SE010WHT (WHITE)
SE010BLK (BLACK)

GLUE MATING SURFACE
AS INDICATED

10.12



Copyright and ownership of this drawing is vested in EFT,
Euro Facade Systems Ltd, whose prior written consent is required
for its use, reproduction or for publication to any third party.
All other rights reserved. Subject to modifications.

Fabricators Guide



comar
ARCHITECTURAL ALUMINIUM SYSTEMS

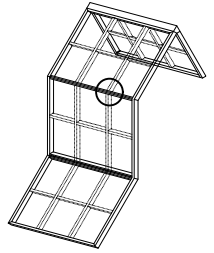
Changes reserved
Sous reserve de modifications
Änderungen vorbehalten

ISSUE : 04
DATE : 10.15

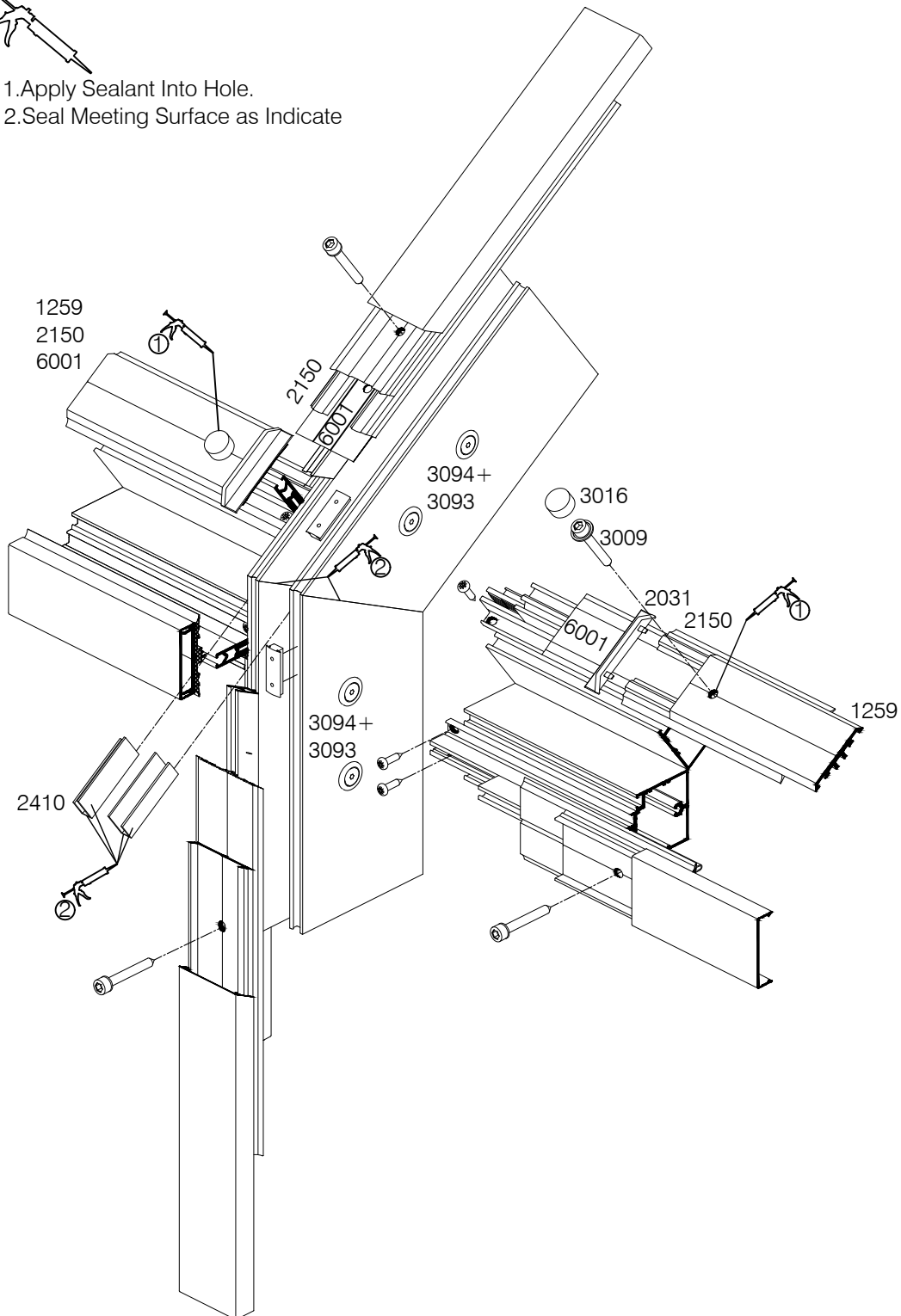
Outer Corner Assembly



1. Apply Sealant Into Hole.
2. Seal Meeting Surface as Indicate



10.13



Fabricators Guide

Copyright and ownership of this drawing is vested in EFT. Euro F acade Systems Ltd, whose prior written consent is required for its use, reproduction or for publication to any third party. All other rights reserved.

Changes reserved
 Sous reserve de modifications
  nderungen vorbehalten

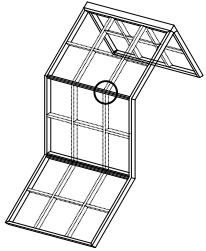
ISSUE : 04
 DATE : 10-15

Sloped Roof

Comar 6EFT

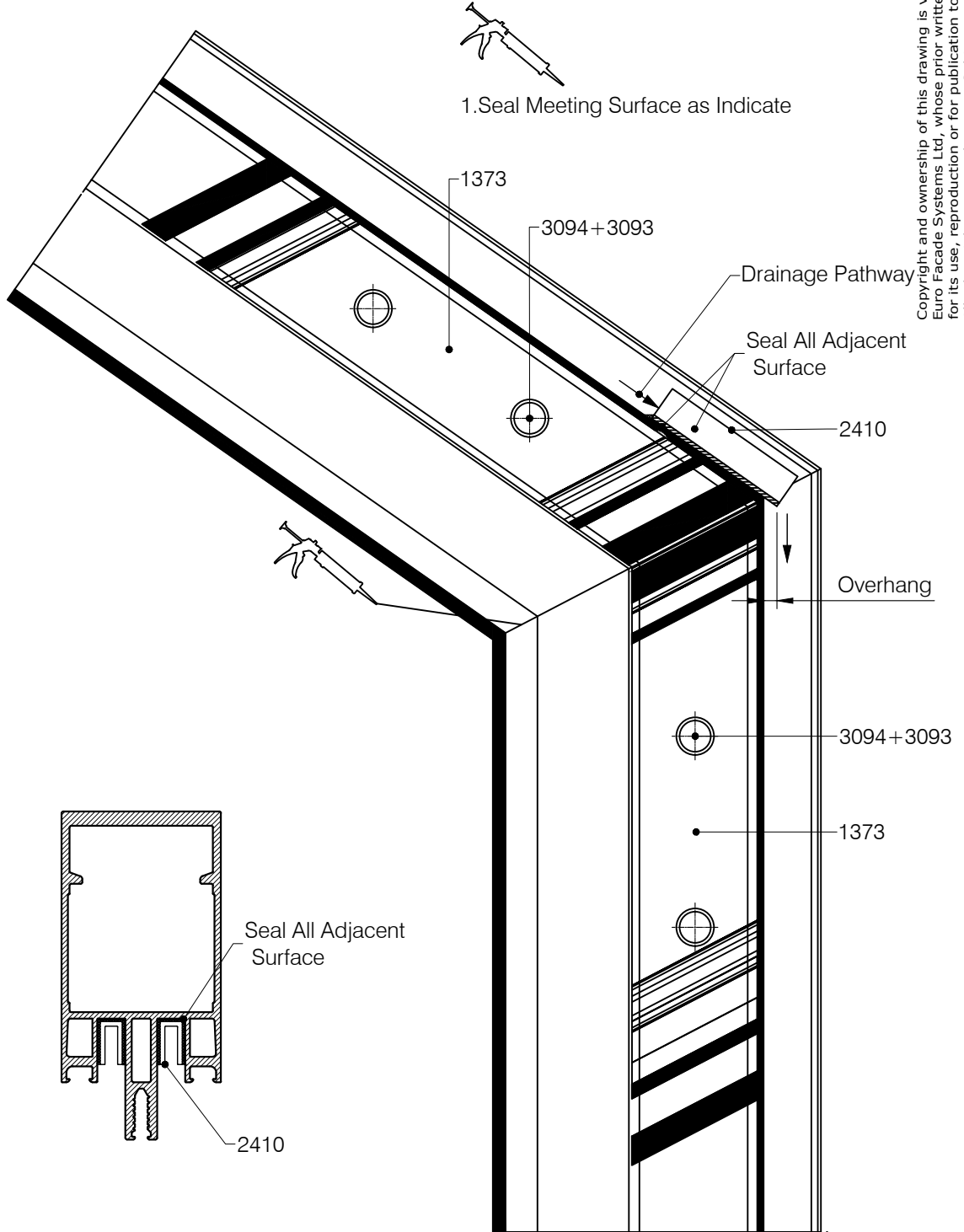
10

Outer Corner Assembly



10.14

Fabricators Guide



Copyright and ownership of this drawing is vested in EFT, Euro Facade Systems Ltd, whose prior written consent is required for its use, reproduction or for publication to any third party. All other rights reserved. Subject to modifications.



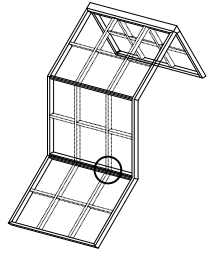
comar

ARCHITECTURAL ALUMINIUM SYSTEMS

Changes reserved
Sous reserve de modifications
Änderungen vorbehalten

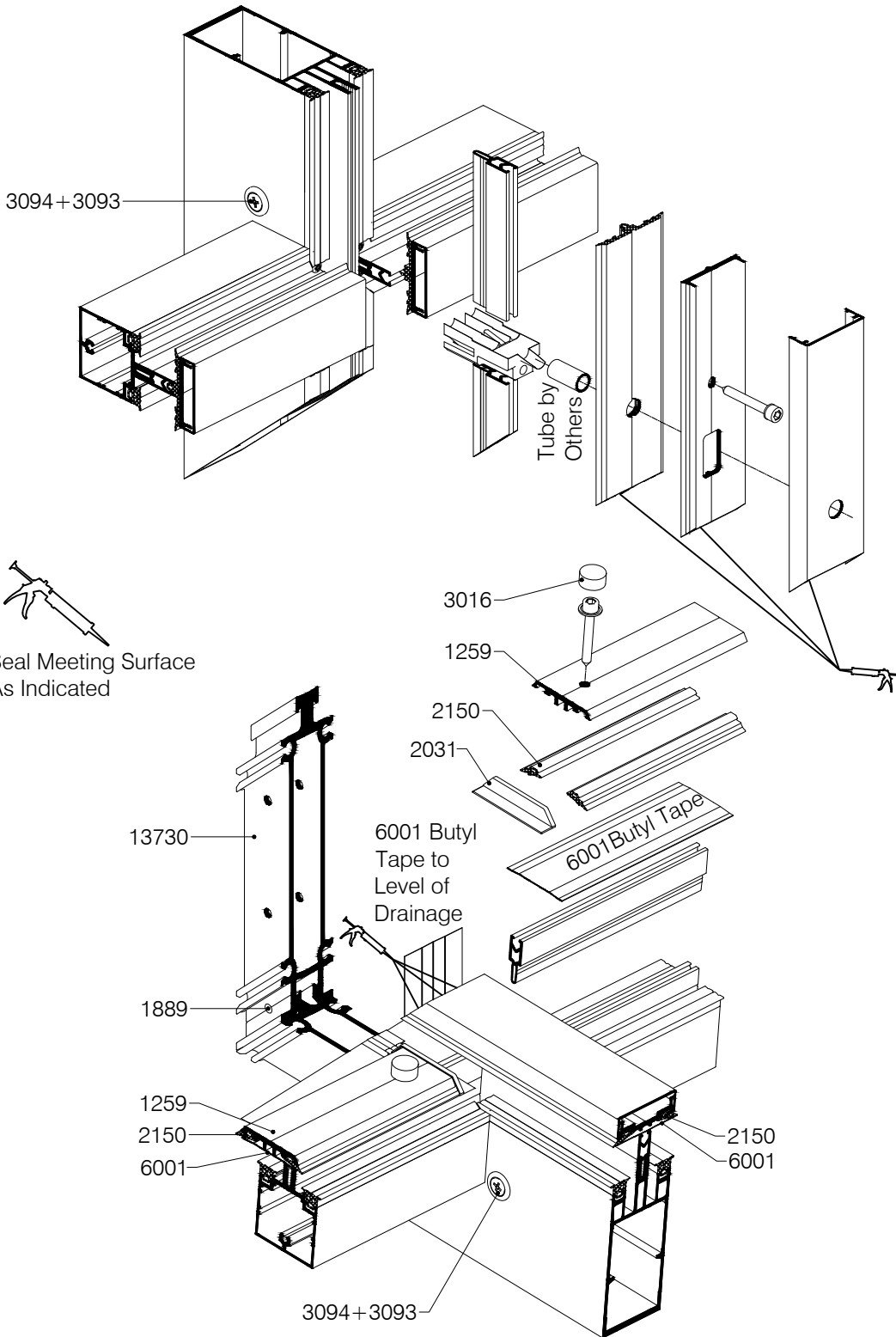
ISSUE : 04
DATE : 10.15

Inner Corner Assembly



10.15

Copyright and ownership of this drawing is vested in EFT, Euro Facade Systems Ltd, whose prior written consent is required for its use, reproduction or for publication to any third party. All other rights reserved. Subject to modifications.



Fabricators Guide

Changes reserved
Sous reserve de modifications
Änderungen vorbehalten

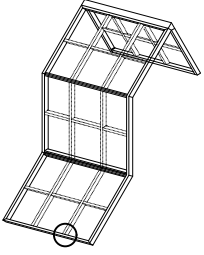
ISSUE : 04
DATE : 10-15

Sloped Roof

10

Comar 6EFT

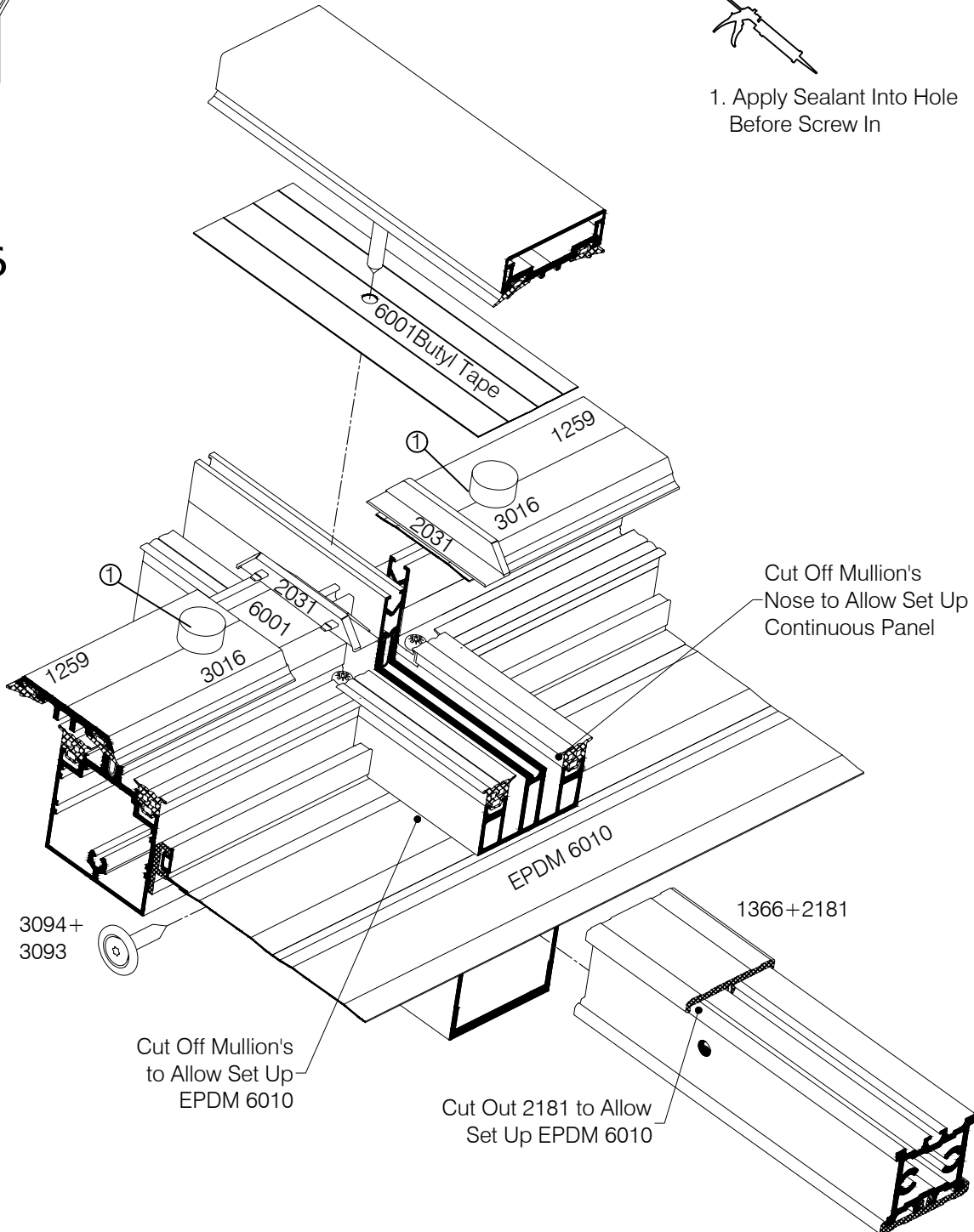
Assembly at Cill



1. Apply Sealant Into Hole Before Screw In

10.16

Fabricators Guide



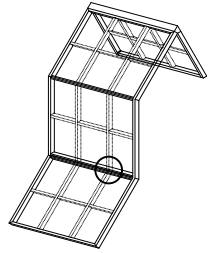
Copyright and ownership of this drawing is vested in EFT, Euro Facade Systems Ltd, whose prior written consent is required for its use, reproduction or for publication to any third party. All other rights reserved. Subject to modifications.



comar
ARCHITECTURAL ALUMINIUM SYSTEMS

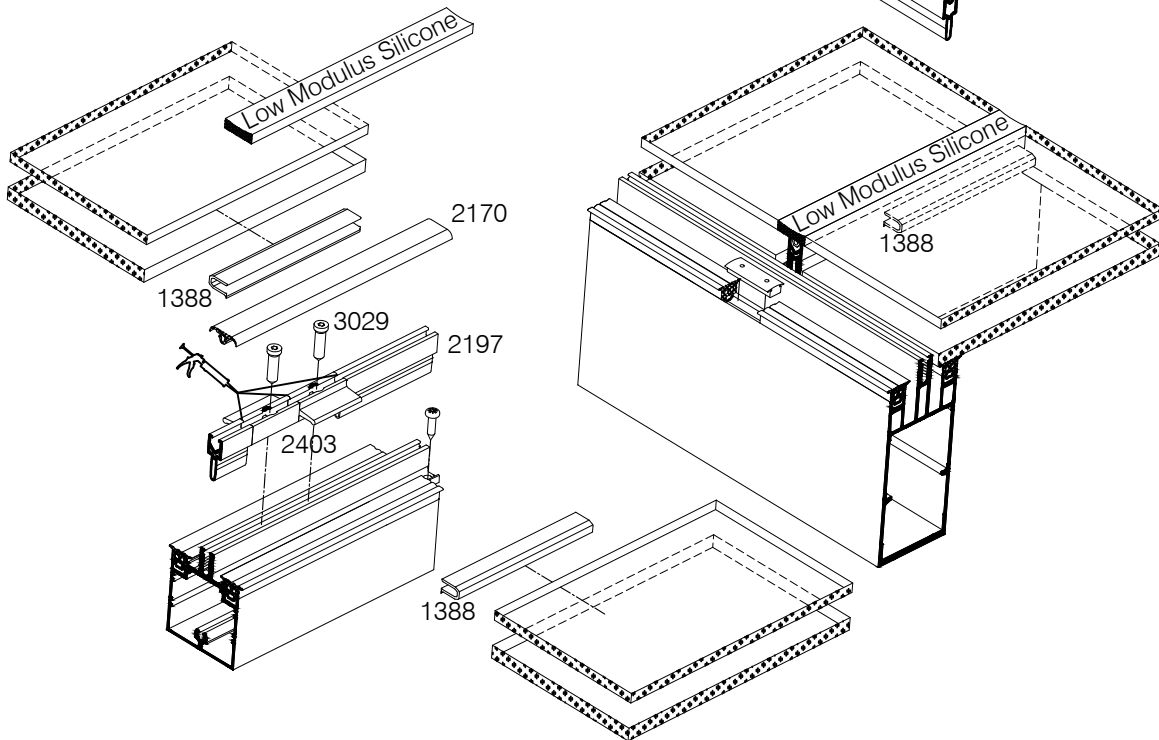
Changes reserved
Sous reserve de modifications
Änderungen vorbehalten

ISSUE : 04
DATE : 10.15



Seal Mating Surface
As Indicated

10.17



Fabricators Guide

Copyright and ownership of this drawing is vested in EFT, Euro Facade Systems Ltd, whose prior written consent is required for its use, reproduction or for publication to any third party. All other rights reserved. Subject to modifications.

Changes reserved
Sous reserve de modifications
Änderungen vorbehalten

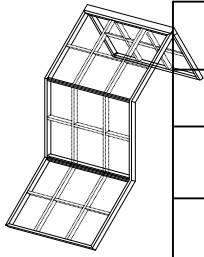
ISSUE : 04
DATE : 10-15

Sloped Roof

10

Comar 6EFT

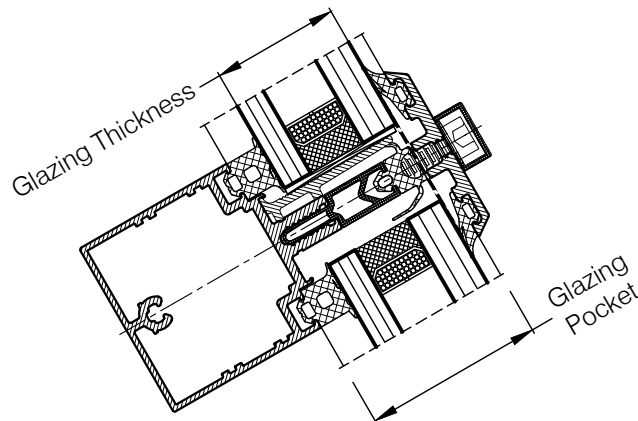
Sloped Roof Glazing Chart



10.18

Fabricators Guide

Glazing Pocket		36			42			48			54		
Glazing Thickness		22	26	28	32	34	38	40	44	24	30	36	42
	2101 6mm			X			X			X			X
	2103 8mm		X			X			X			X	
	2105 10mm	X			X			X			X		
	2197-12mm Thermal Break	X											
	2200-18mm Thermal Break				X			X			X		
	2305-27mm Glass Support	X											
	2490-33mm Glass Support				X								
	1411-40mm Glass Support							X					
	1404-40mm Glass Support										X		
	2153 6mm Gasket										X		
	3029- 23mm Screw										X		
	2167 8mm Gasket							X					
	2168 14mm Gasket										X		
		3008- 38mm Screw			3009- 42mm Screw			3010- 50mm Screw			3011- 55mm Screw		
	Screw Cap	3016 WHT- White, BSVR-Silver DBLK-Black, CBRZ-Bronze											
		2150- 4mm Pressure Plate Gasket 6001- 50mm Butyl Tape											



NOTE

Glazing Chart is for Transom only.
For Mullion please see Glazing Chart Capped C.W.

Copyright and ownership of this drawing is vested in EFT, Euro Facade Systems Ltd, whose prior written consent is required for its use, reproduction or for publication to any third party. All other rights reserved. Subject to modifications.



comar
ARCHITECTURAL ALUMINIUM SYSTEMS

Changes reserved
Sous reserve de modifications
Änderungen vorbehalten

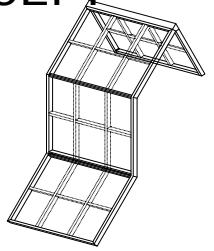
ISSUE : 04
DATE : 10.15

Copyright and ownership of this drawing is vested in EFT.
Euro F acade Systems Ltd, whose prior written consent is required
for its use, reproduction or for publication to any third party.
All other rights reserved. Subject to modifications.

10

Sloped Roof

Comar 6EFT



Future Additions

10.19 - 10.99

FUTURE
ADDITION

Fabricators Guide

Changes reserved
Sous reserve de modifications
 nderungen vorbehalten

ISSUE : 04
DATE : 10-15

