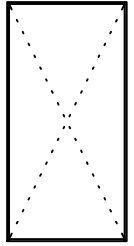


2

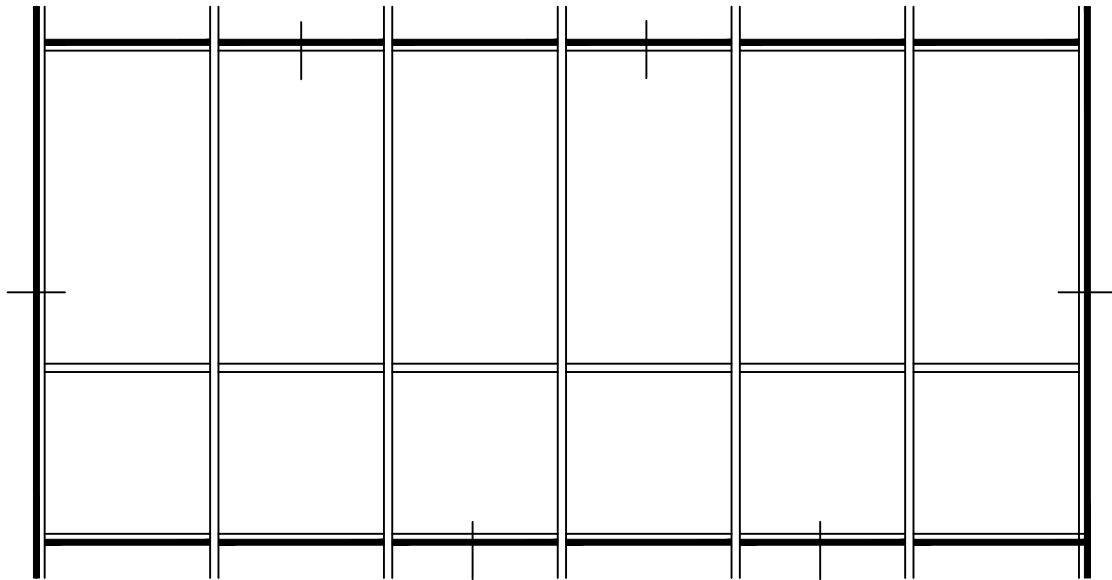
Typical details

Perimeter Detail

Comar 6EFT



2.100



Fabricators Guide

Capped
2Sided SGH
2Sided SGV
4Sided SG

Copyright and ownership of this drawing is vested in EFT,
Euro Facade Systems Ltd, whose prior written consent is required
for its use, reproduction or for publication to any third party.
All other rights reserved. Subject to modifications.

Changes reserved
Sous reserve de modifications
Änderungen vorbehalten

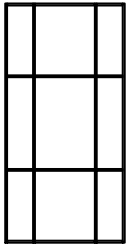
Issue: 05
Date : 10 -16

Typical details

2

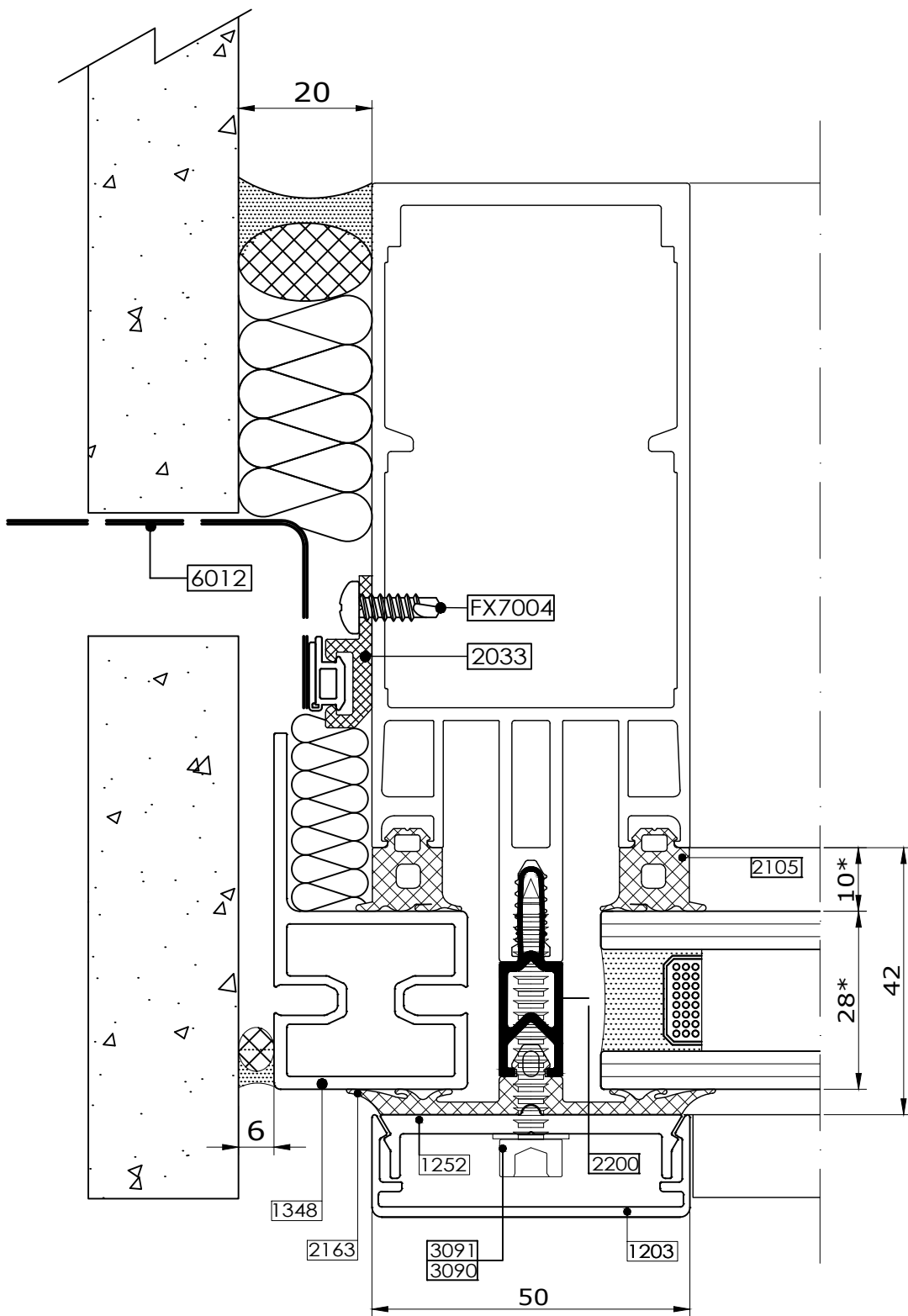
Comar 6EFT

Perimeter mullion detail



2.101

Fabricators Guide



* Refer to Glazing Chart for glazing options

2

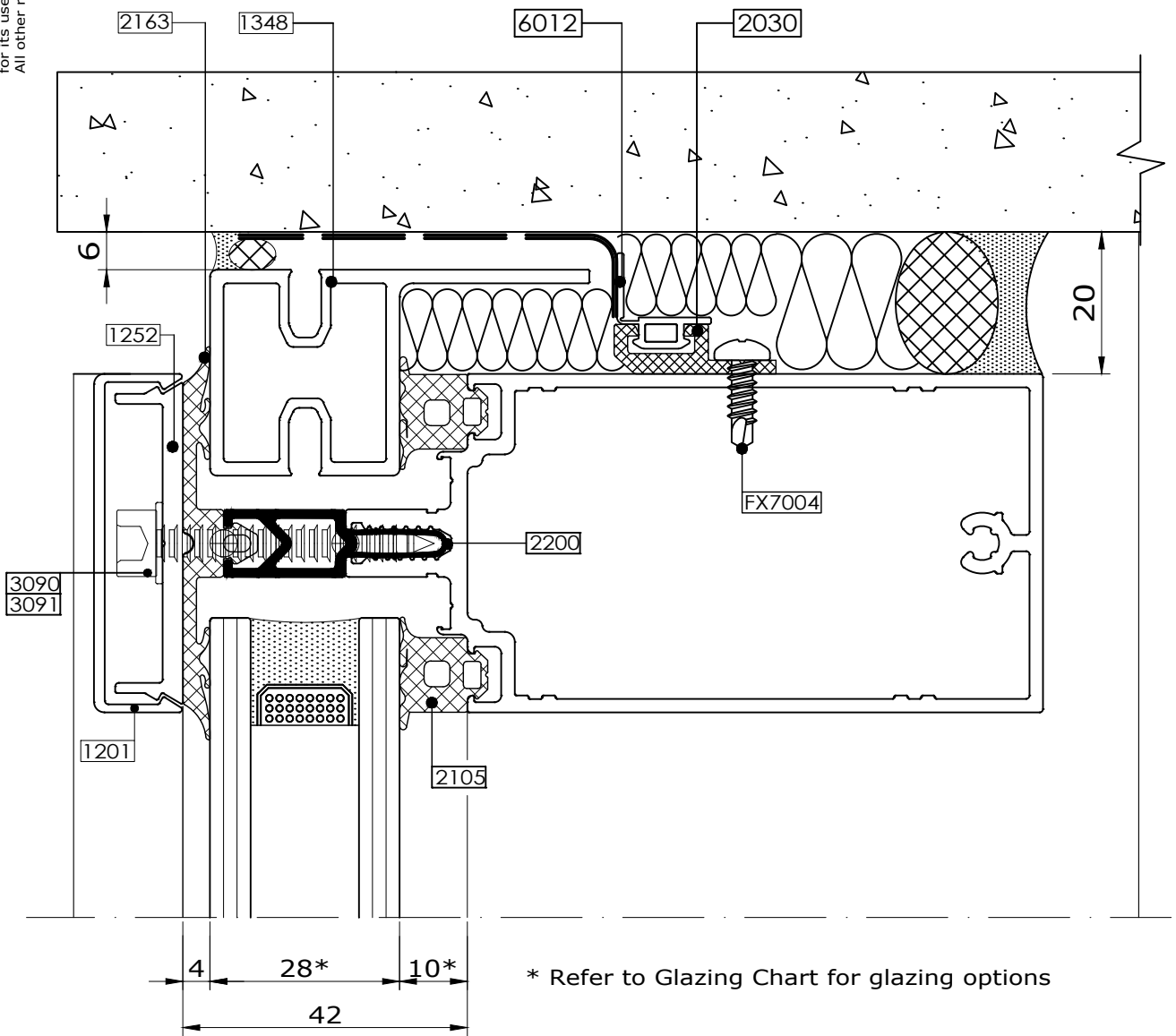
Typical details

Transom head detail

Comar 6EFT

2.102

Copyright and ownership of this drawing is vested in EFT,
 Euro Facade Systems Ltd, whose prior written consent is required
 for its use, reproduction or for publication to any third party.
 All other rights reserved. Subject to modifications.



Fabricators Guide

Changes reserved
 Sous reserve de modifications
 Änderungen vorbehalten

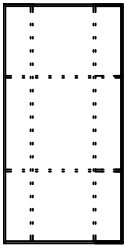
Issue: 05
 Date : 10 -16

Typical details

2

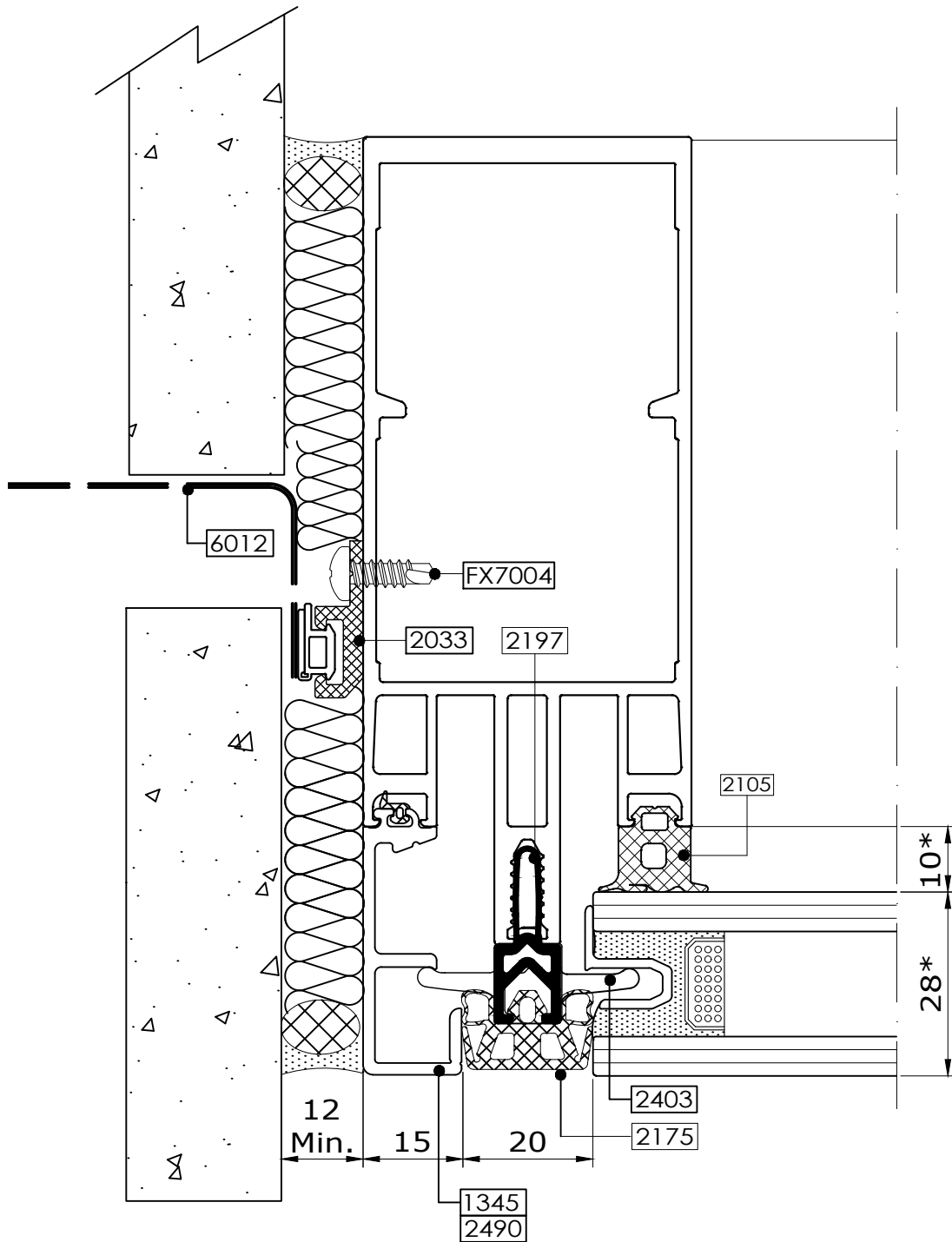
Comar 6EFT

Mullion jamb detail gasket seal



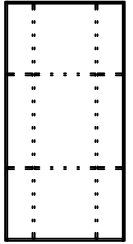
2.103

Fabricators Guide

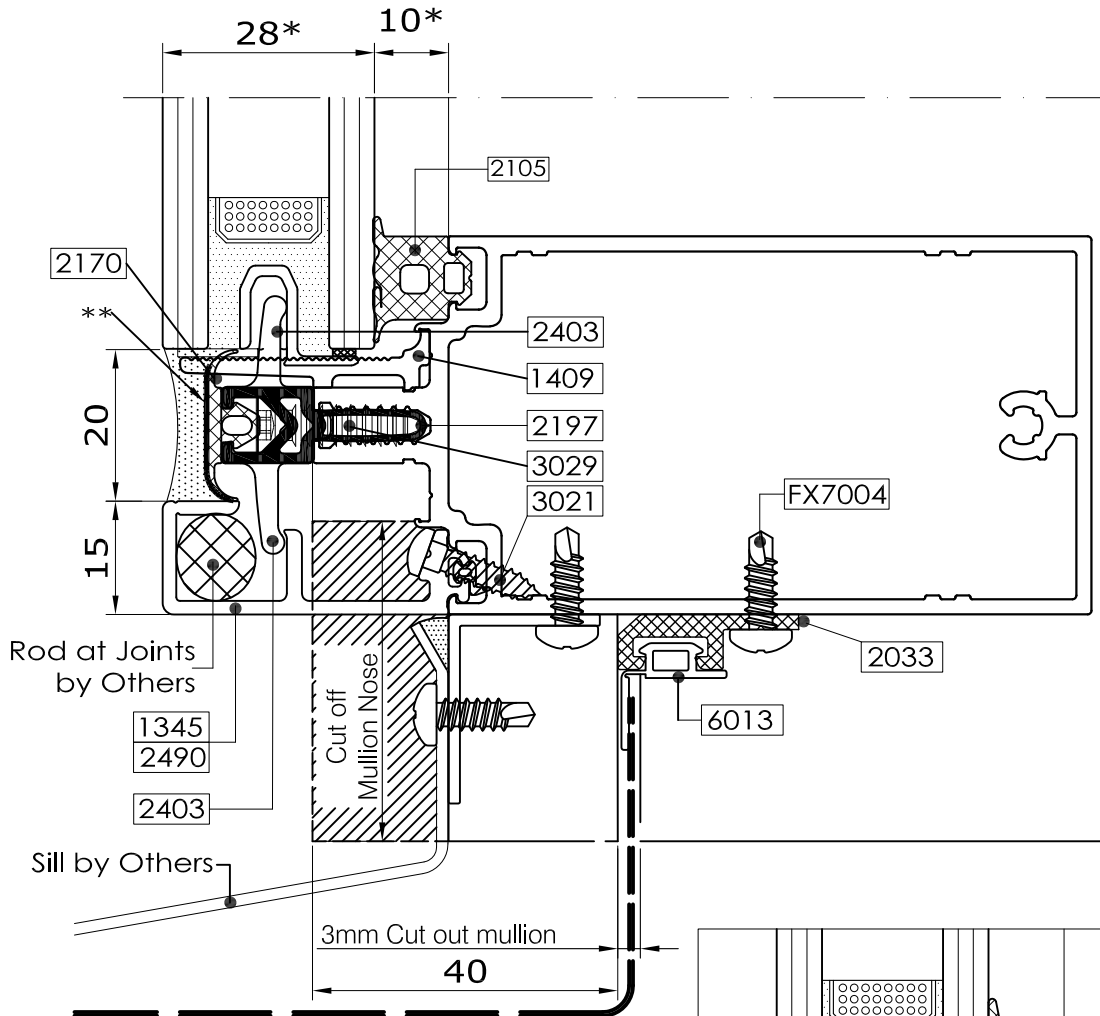


* Refer to Glazing Chart for glazing options

Transom sill detail
Silicone & gasket seal



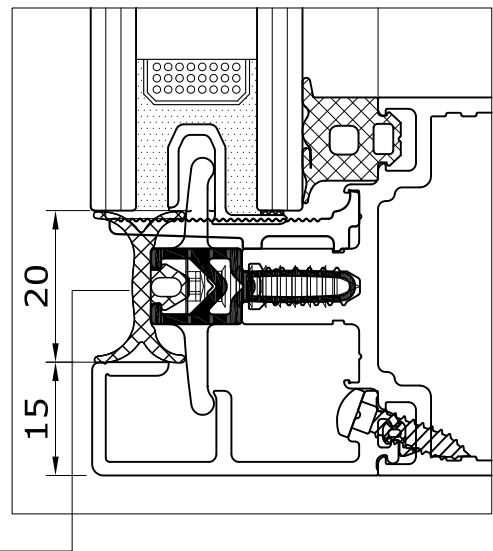
2.104



* Refer to Glazing Chart for glazing options

**Any edge of gasket that will be exposed to external silicone seal must have bond breaker tape applied to its surface to prevent a three way seal

Also available with gasket seal using EFT gasket 2175,2182



Copyright and ownership of this drawing is vested in EFT, Euro Facade Systems Ltd, whose prior written consent is required for its use, reproduction or for publication to any third party. All other rights reserved. Subject to modifications.

Changes reserved
Sous reserve de modifications
Änderungen vorbehalten

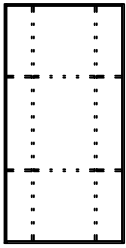
Issue: 05
Date : 10 -17

Typical details

2

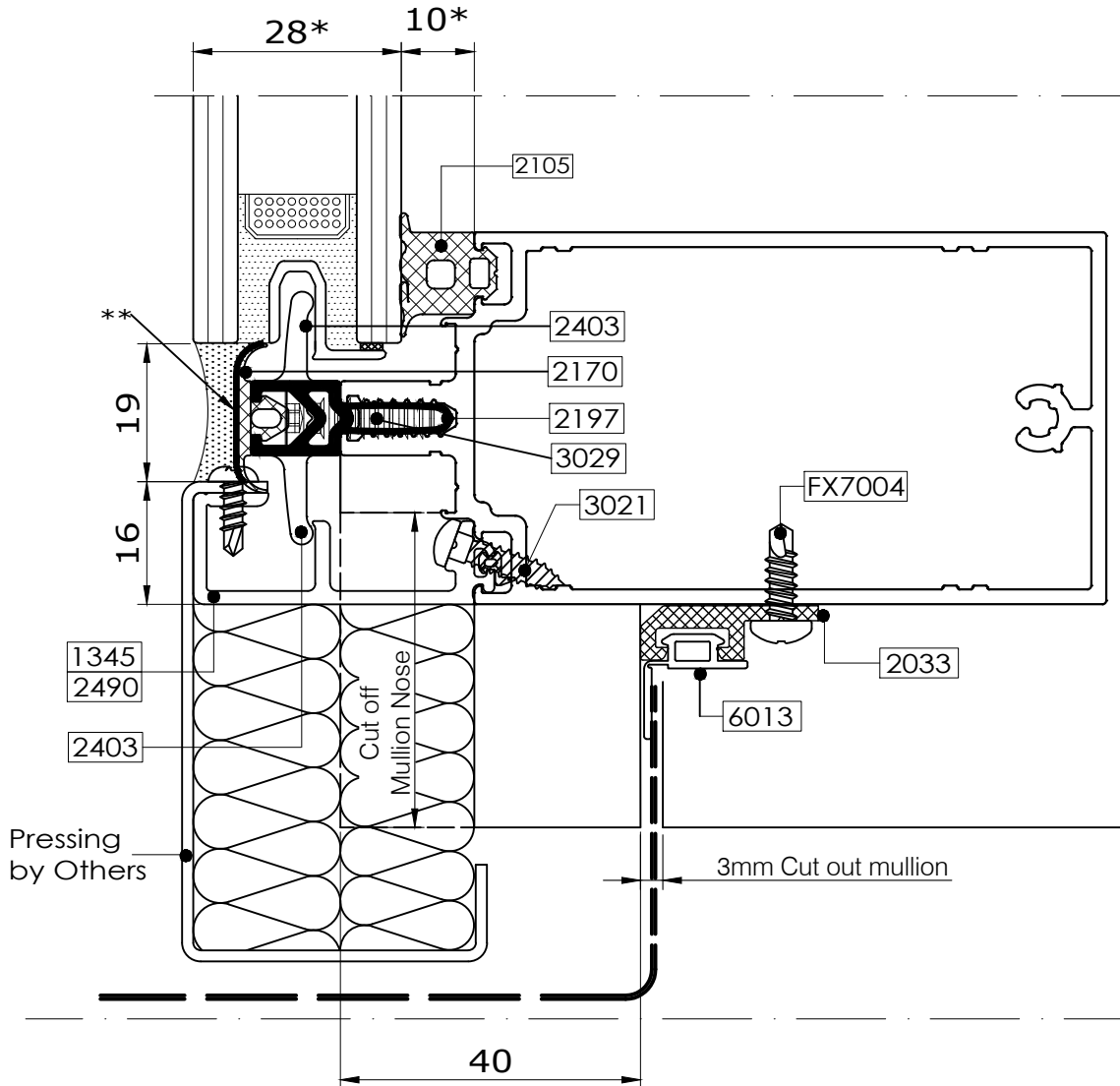
Comar 6EFT

Transom sill detail Silicone seal



2.105

Fabricators Guide



* Refer to Glazing Chart for glazing options

**Any edge of gasket that will be exposed to external silicone seal must have bond breaker tape applied to its surface to prevent a three way seal

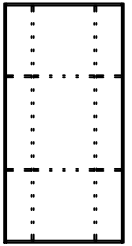
Copyright and ownership of this drawing is vested in EFT, Euro Facade Systems Ltd, whose prior written consent is required for its use, reproduction or for publication to any third party. All other rights reserved. Subject to modifications.

2

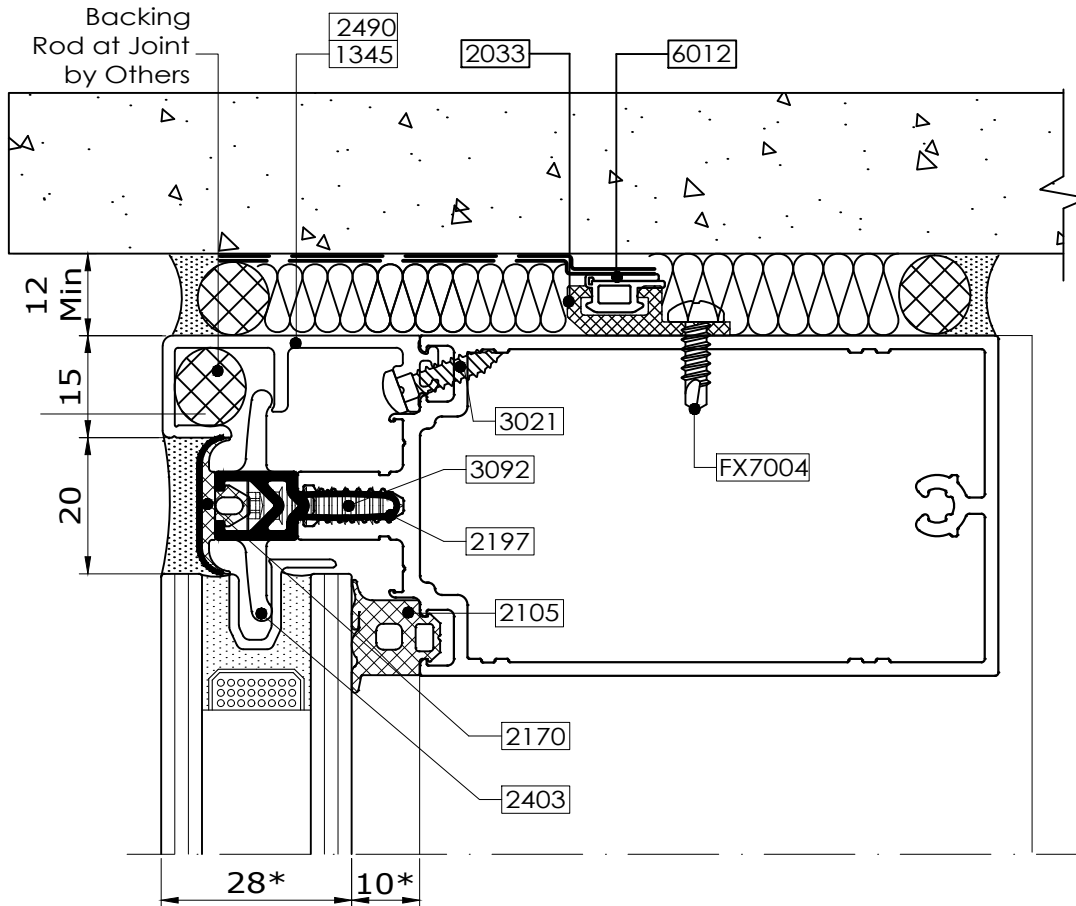
Typical details

Comar 6EFT

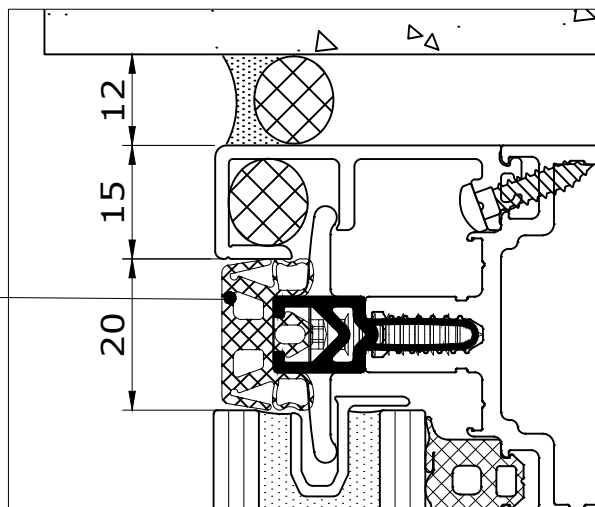
Transom head detail Silicone & gasket seal



2.106



Also available
with gasket seal
using EFT gasket
2175,2182



Copyright and ownership of this drawing is vested in EFT, Euro Facade Systems Ltd, whose prior written consent is required for its use, reproduction or for publication to any third party. All other rights reserved. Subject to modifications.

Fabricators Guide

Changes reserved
Sous reserve de modifications
Änderungen vorbehalten

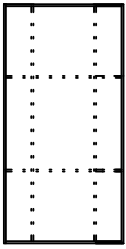
Issue: 05
Date : 10 -16

Typical details

2

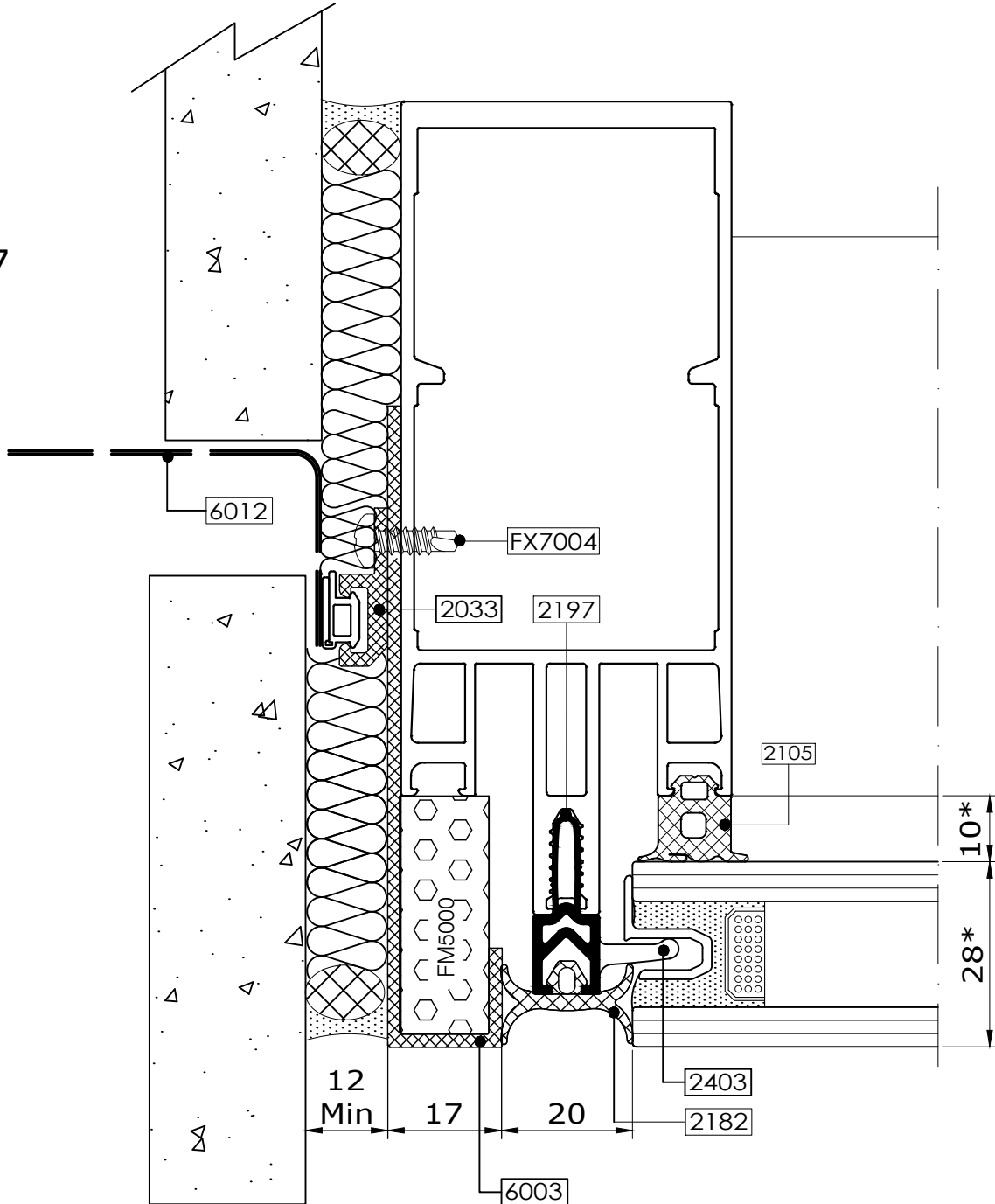
Comar 6EFT

Mullion perimeter
Jamb closure detail



2.107

Fabricators Guide



* Refer to Glazing Chart for glazing options

Copyright and ownership of this drawing is vested in EFT,
Euro Facade Systems Ltd, whose prior written consent is required
for its use, reproduction or for publication to any third party.
All other rights reserved. Subject to modifications.



comar
ARCHITECTURAL ALUMINIUM SYSTEMS

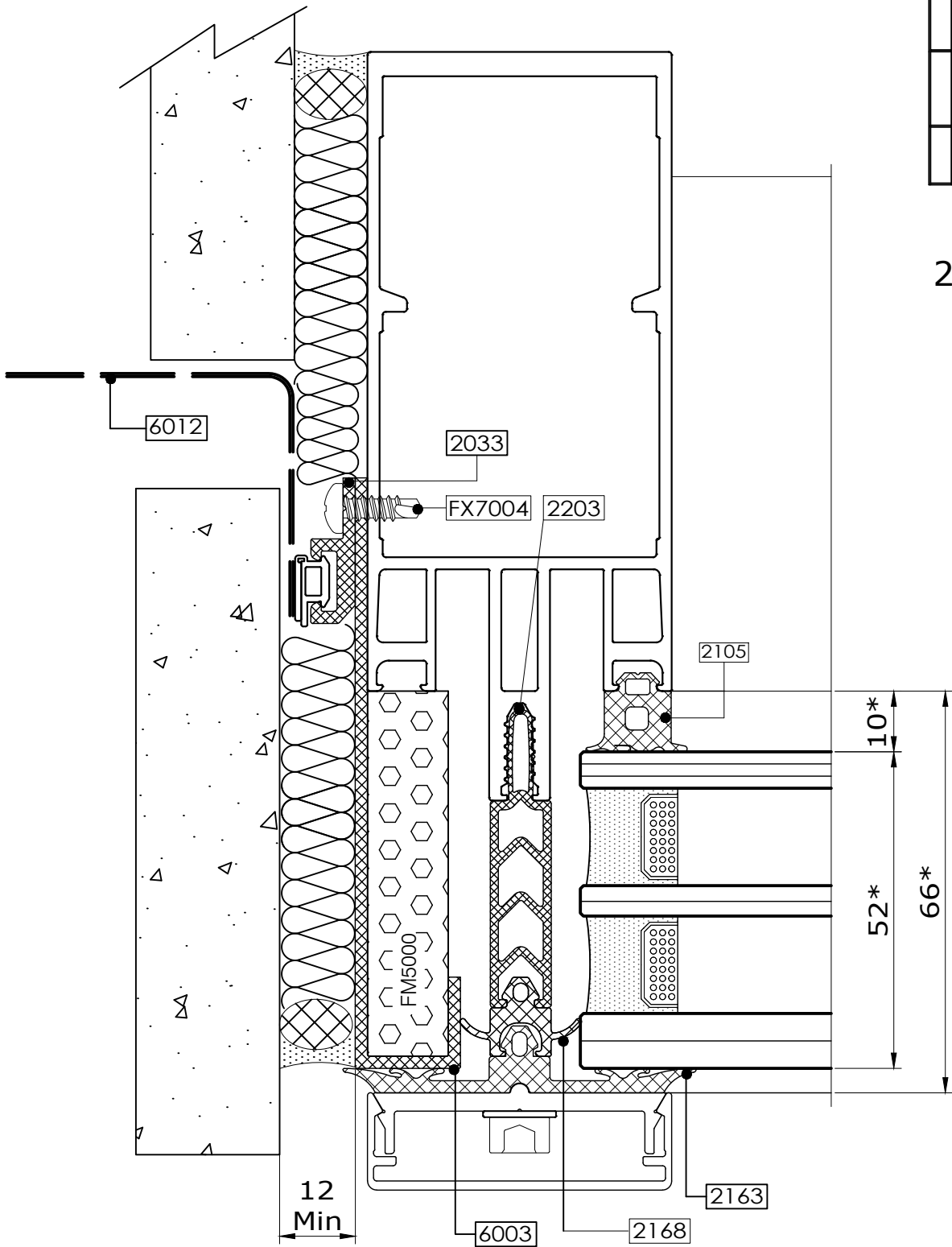
Changes reserved
Sous reserve de modifications
Änderungen vorbehalten

Issue: 05
Date : 10 -16

Copyright and ownership of this drawing is vested in EFT, Euro Facade Systems Ltd, whose prior written consent is required for its use, reproduction or for publication to any third party. All other rights reserved. Subject to modifications.

Mullion perimeter Jamb closure detail

2 Typical details Comar 6EFT



* Refer to Glazing Chart for glazing options

Changes reserved
 Sous reserve de modifications
 Änderungen vorbehalten

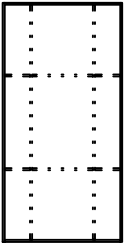
Issue: 05
 Date : 10 -16

Typical details

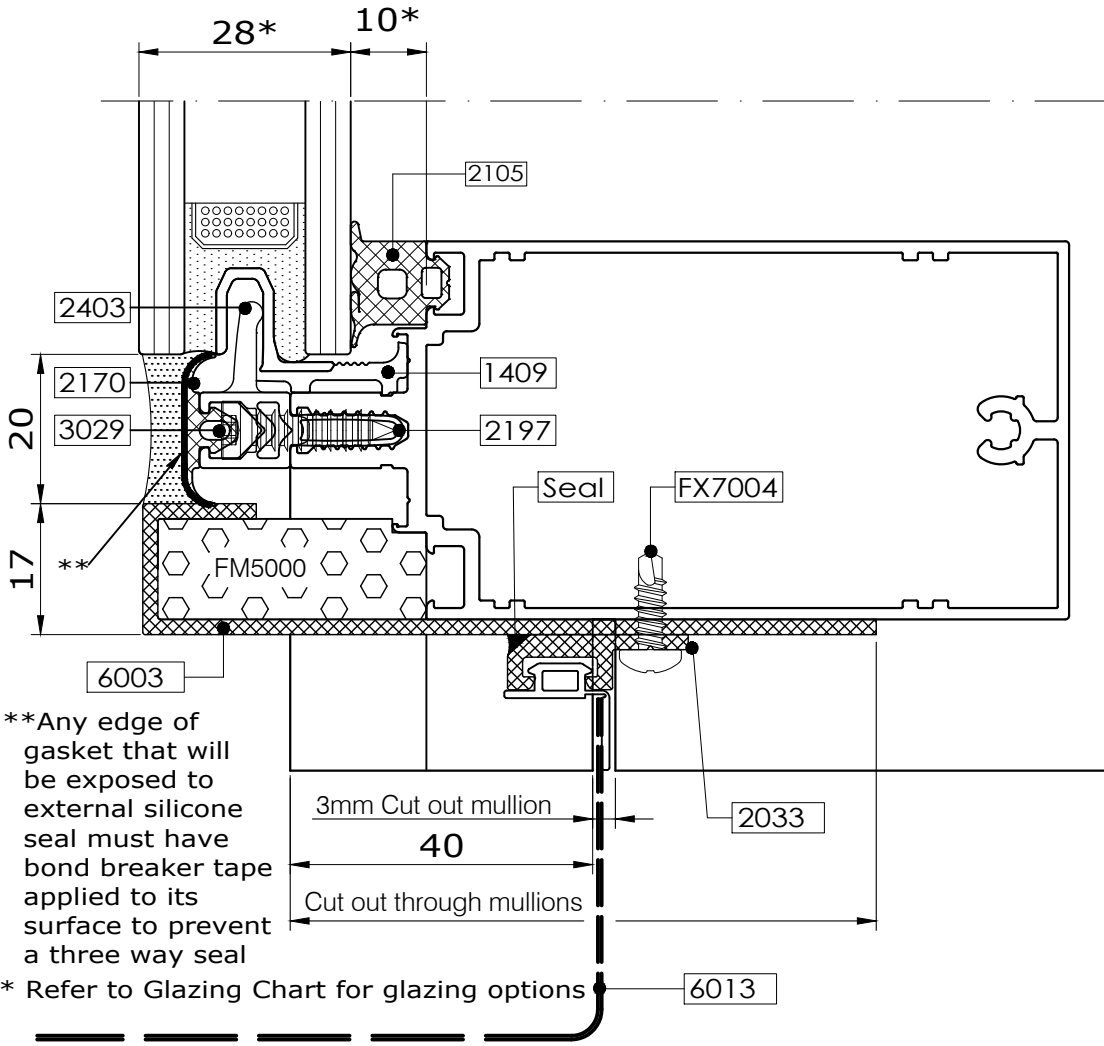
2

Comar 6EFT

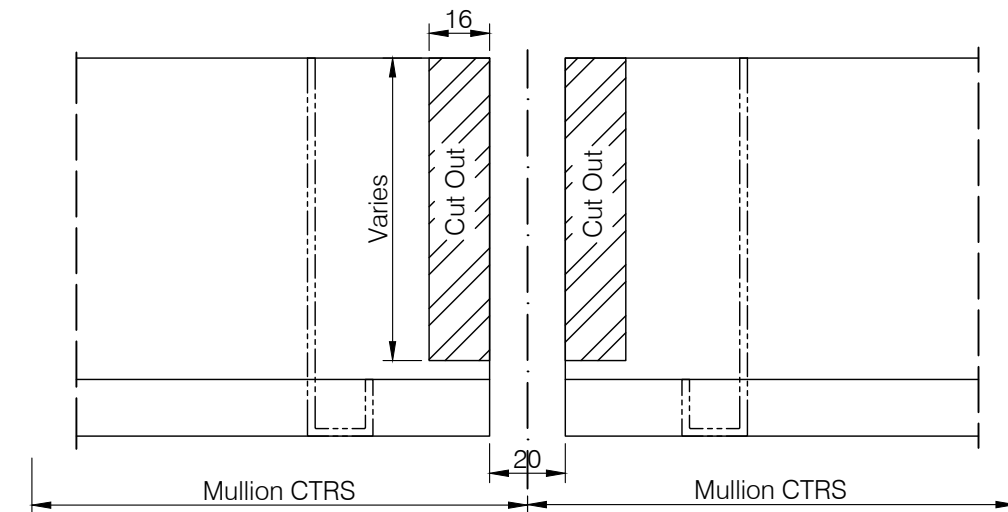
Transom sill Closure detail



2.109



Fabricators Guide



Copyright and ownership of this drawing is vested in EFT, Euro Facade Systems Ltd, whose prior written consent is required for its use, reproduction or for publication to any third party. All other rights reserved. Subject to modifications.



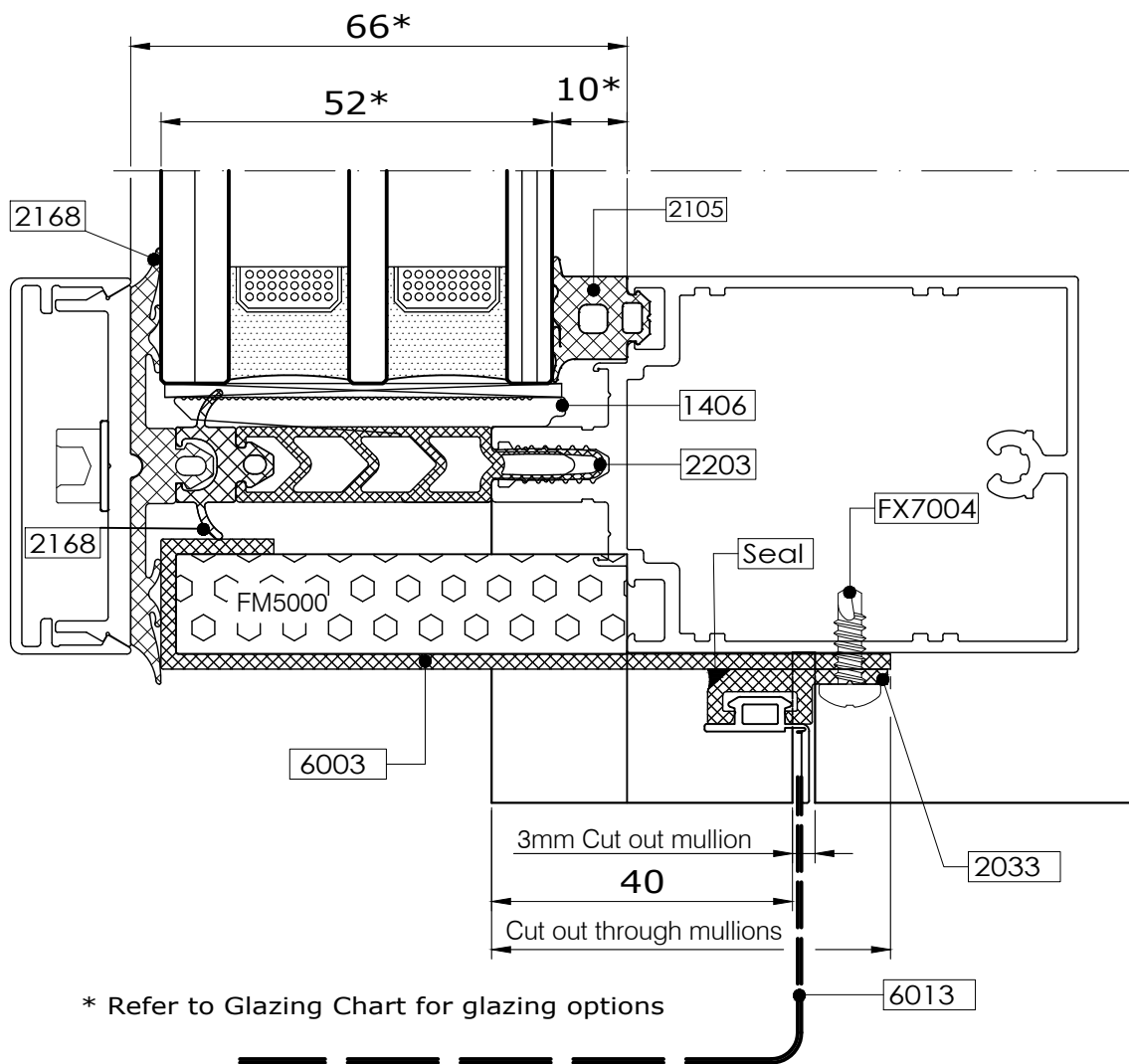
comar
ARCHITECTURAL ALUMINIUM SYSTEMS

Changes reserved
Sous reserve de modifications
Änderungen vorbehalten

Issue: 05
Date : 10 -16

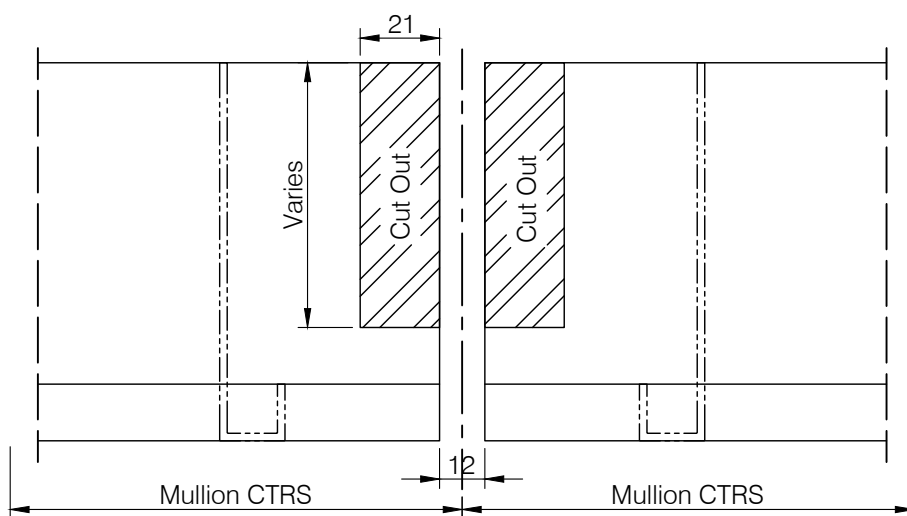
Transom sill
Closure detail

Copyright and ownership of this drawing is vested in EFT, Euro Facade Systems Ltd, whose prior written consent is required for its use, reproduction or for publication to any third party. All other rights reserved. Subject to modifications.



2.110

Fabrications Guide



Changes reserved
Sous reserve de modifications
Änderungen vorbehalten

Issue: 05
Date : 10 -16

