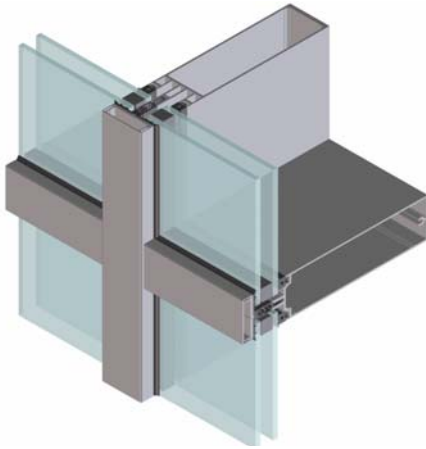


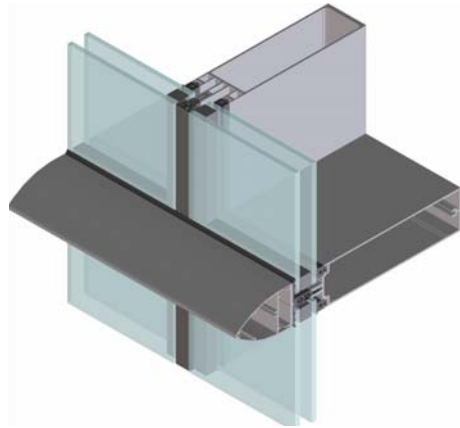
Copyright and ownership of this drawing is vested in EFT, Euro Facade Systems Ltd, whose prior written consent is required for its use, reproduction or for publication to any third party. All other rights reserved. Subject to modifications.

# 4 Profile Sections

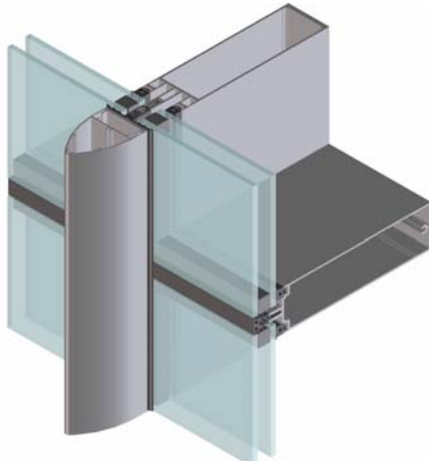
## Comar 6EFT



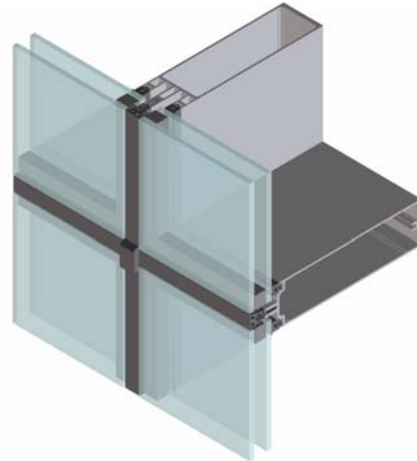
Capped



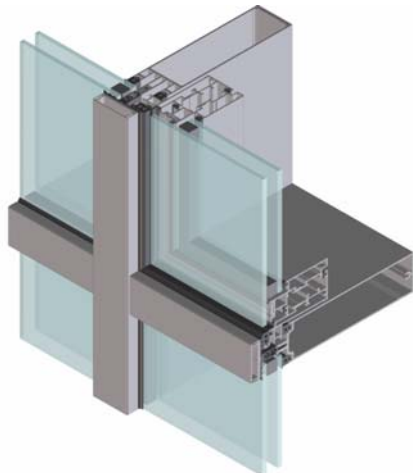
2sided SGH



2sided SGV



4sided SG



Concealed Vent

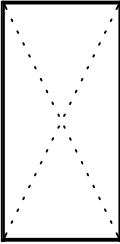
Changes reserved  
Sous reserve de modifications  
Änderungen vorbehalten

Issue: 05  
Date : 10-16

Fabricators Guide



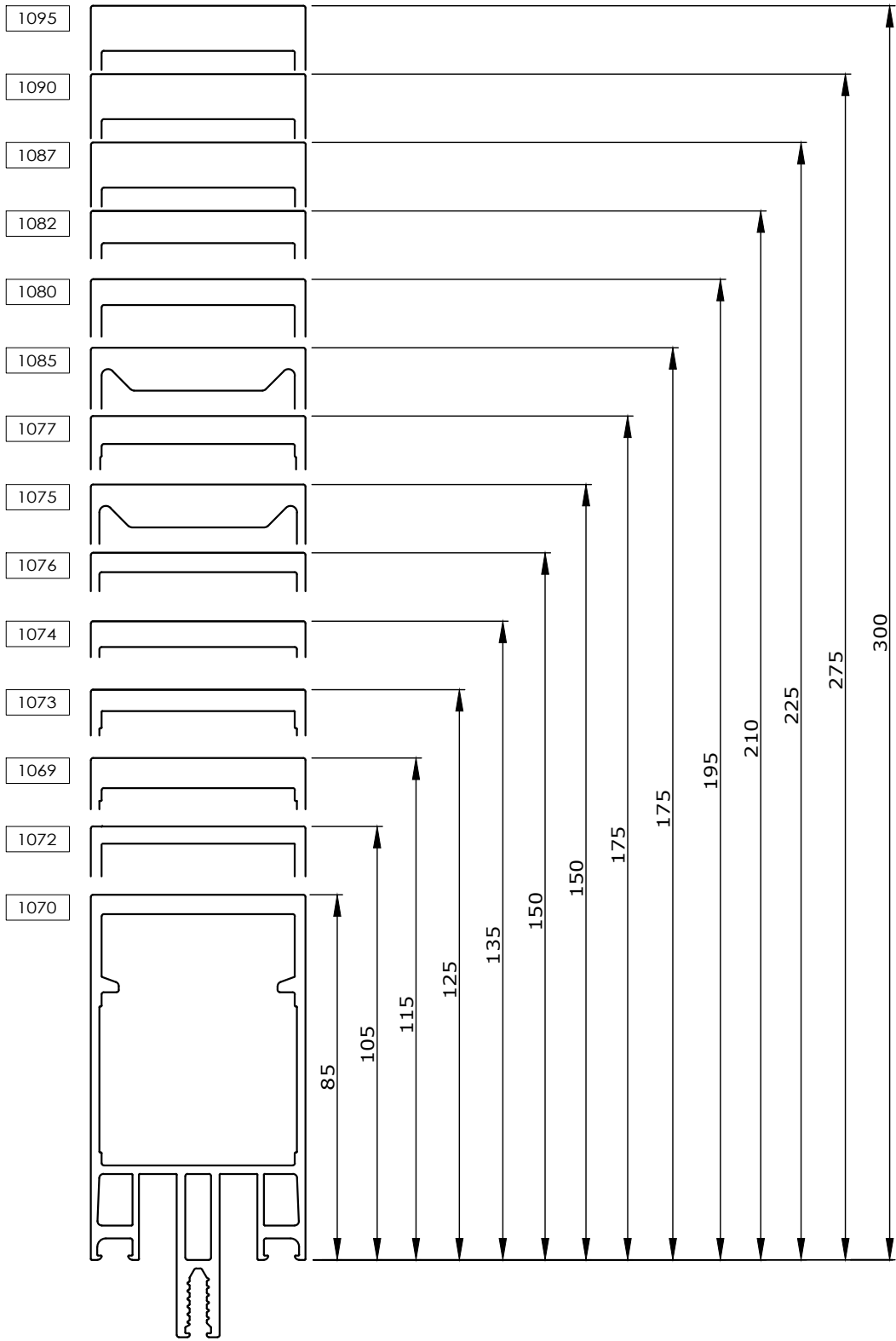
Mullions



4.00

Fabricators Guide

Copyright and ownership of this drawing is vested in EFT, Euro Facade Systems Ltd, whose prior written consent is required for its use, reproduction or for publication to any third party. All other rights reserved. Subject to modifications.



Changes reserved  
 Sous reserve de modifications  
 Änderungen vorbehalten

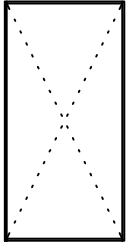
Issue: 05  
 Date: 10-16

# Profile Sections

4

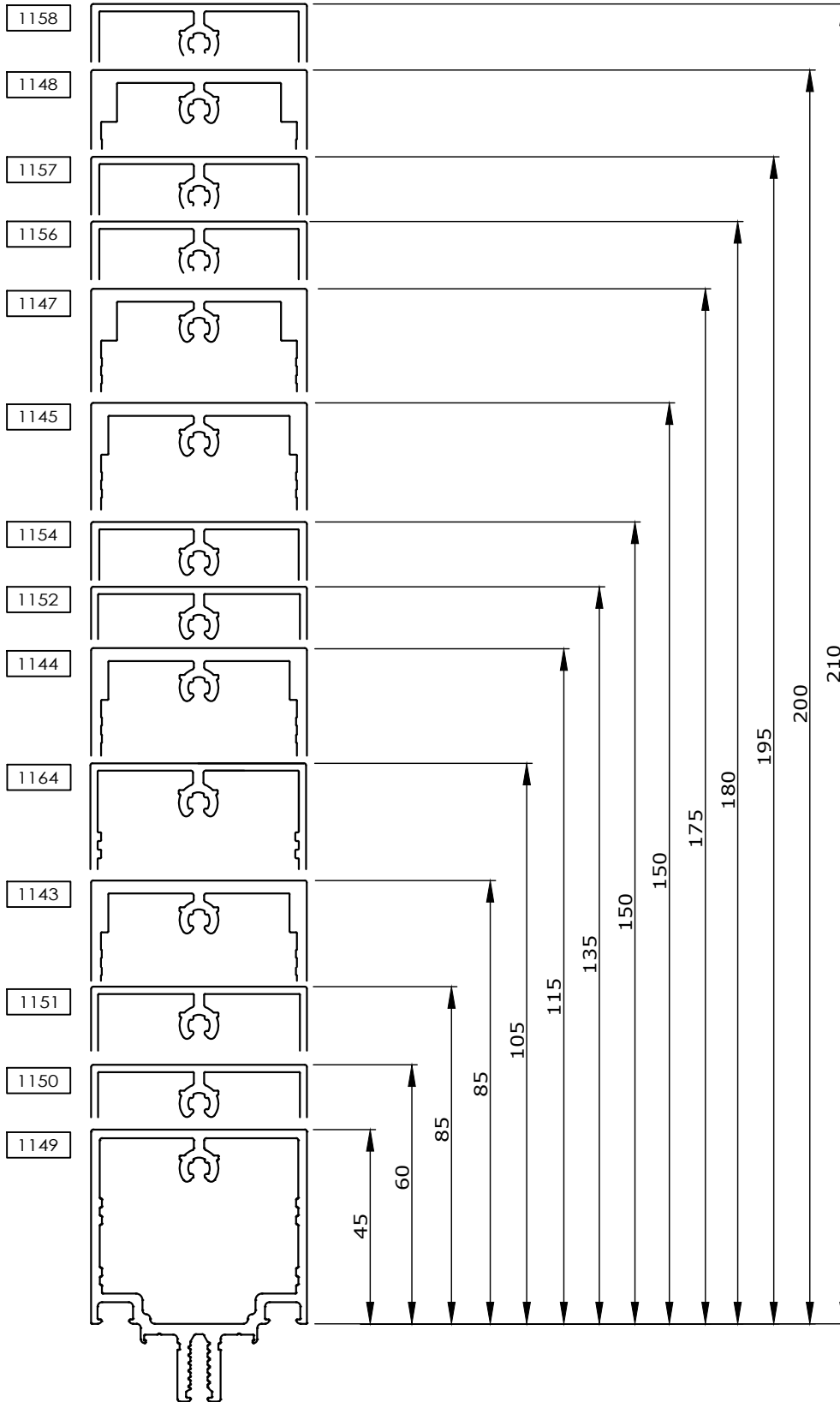
## Comar 6EFT

## Transoms



4.01

### Fabricators Guide



Copyright and ownership of this drawing is vested in EFT, Euro Facade Systems Ltd, whose prior written consent is required for its use, reproduction or for publication to any third party. All other rights reserved. Subject to modifications.

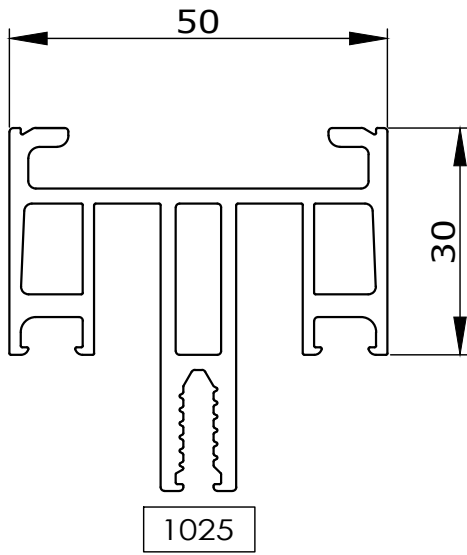
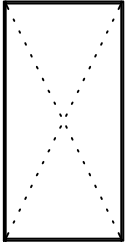


Copyright and ownership of this drawing is vested in EFT, Euro Facade Systems Ltd, whose prior written consent is required for its use, reproduction or for publication to any third party. All other rights reserved. Subject to modifications.

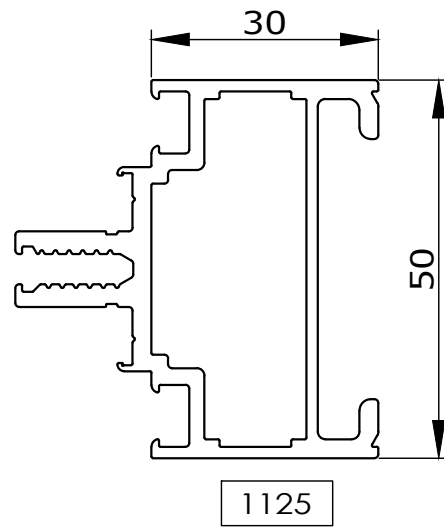
## Direct fix to steel

# 4 Profile sections

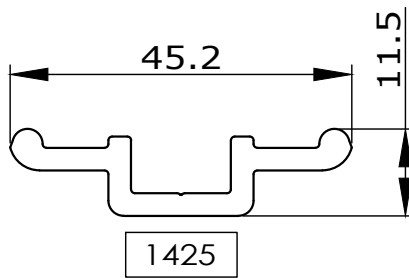
## Comar 6EFT



1025



1125



1425

4.02

Fabricators Guide

Changes reserved  
Sous reserve de modifications  
Änderungen vorbehalten

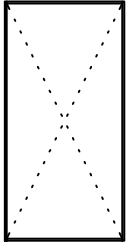
Issue: 05  
Date: 10-16

# Profile Sections

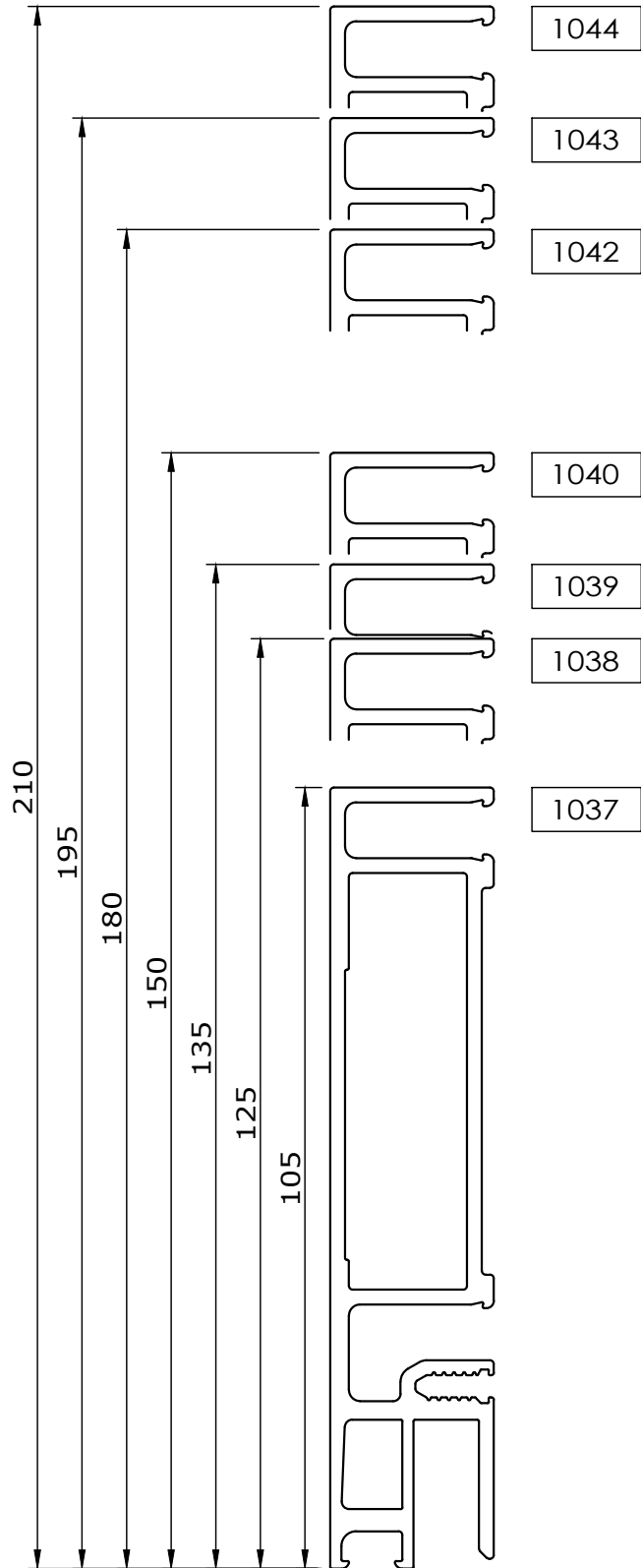
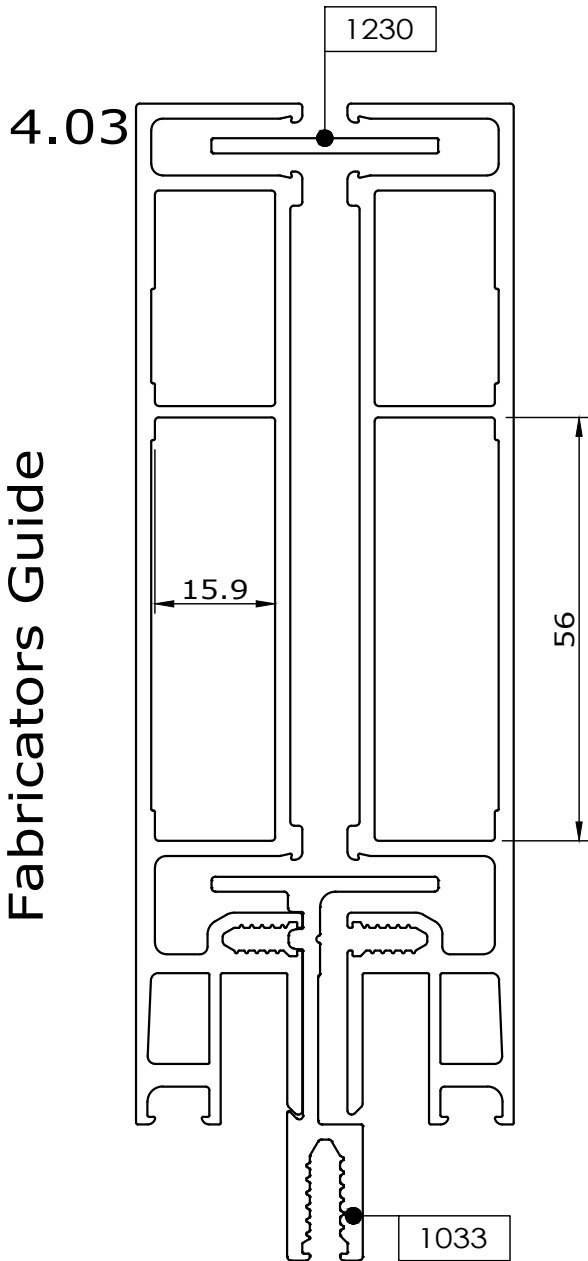
# 4

## Comar 6EFT

## Split mullions



Fabricators Guide



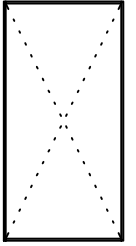
Copyright and ownership of this drawing is vested in EFT, Euro Facade Systems Ltd, whose prior written consent is required for its use, reproduction or for publication to any third party. All other rights reserved. Subject to modifications.

Copyright and ownership of this drawing is vested in EFT, Euro Facade Systems Ltd, whose prior written consent is required for its use, reproduction or for publication to any third party. All other rights reserved. Subject to modifications.

## Mullion sleeves

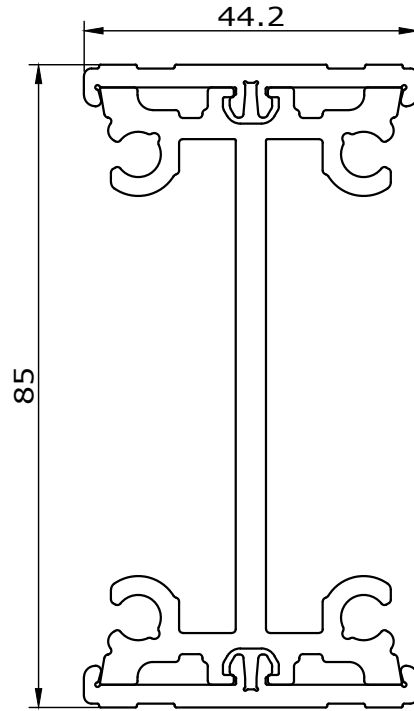
# 4 Profile sections

Comar 6EFT



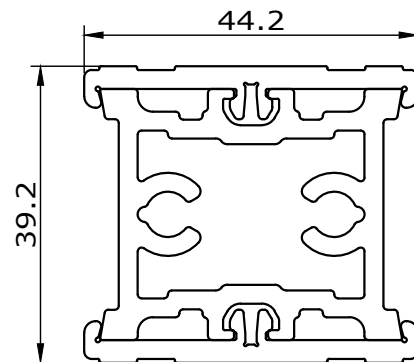
4.04

1368



1281

1366



1281

Fabricators Guide

Changes reserved  
Sous reserve de modifications  
Änderungen vorbehalten

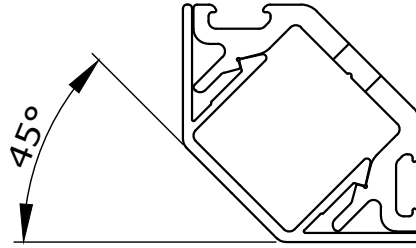
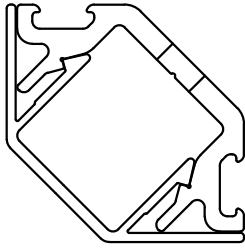
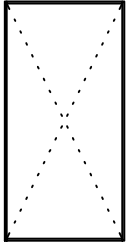
Issue: 05  
Date: 10-16

# Profile Sections

4

## Comar 6EFT

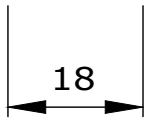
### 90° Corners



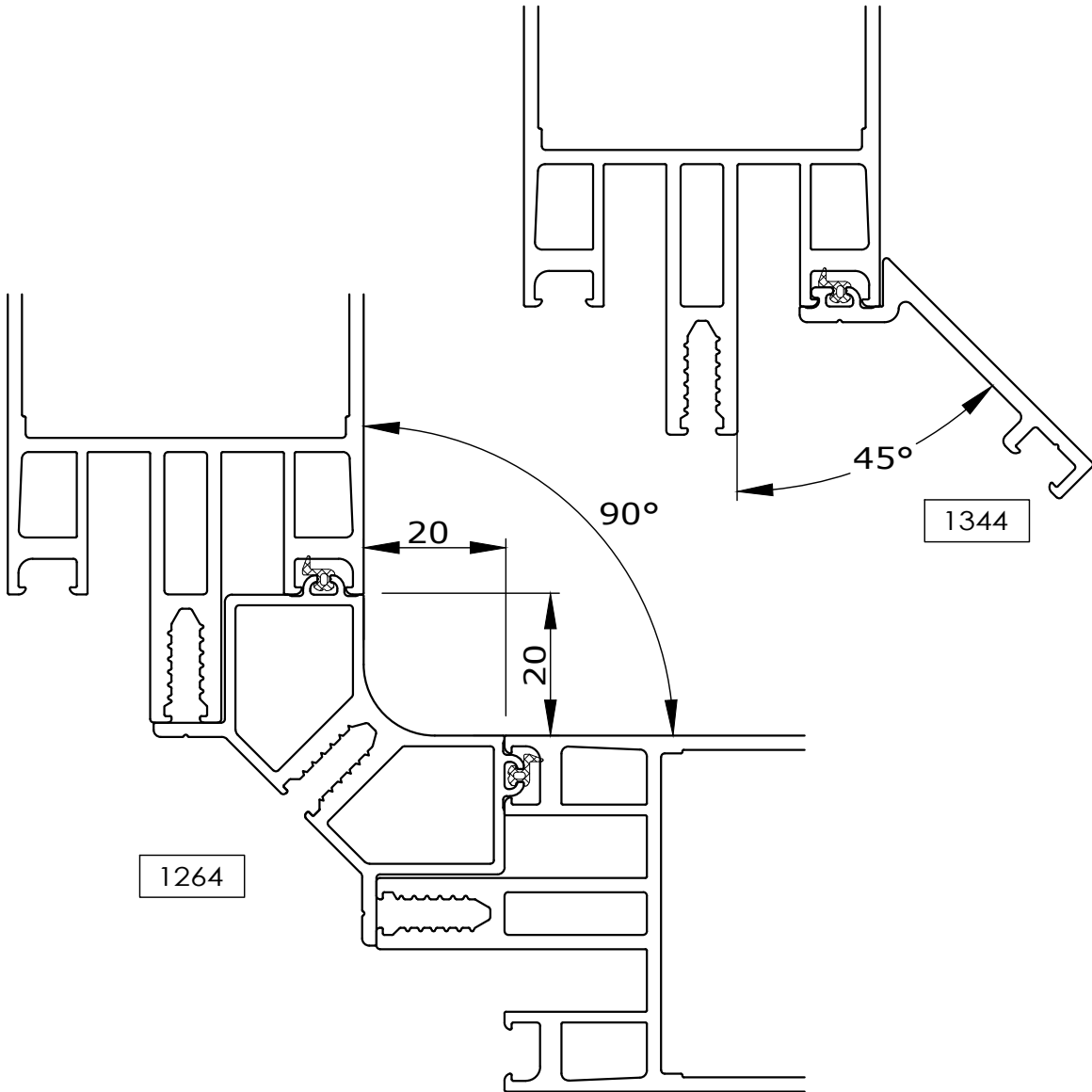
1270

4.05

1210



Fabricators Guide



Copyright and ownership of this drawing is vested in EFT, Euro Facade Systems Ltd, whose prior written consent is required for its use, reproduction or for publication to any third party. All other rights reserved. Subject to modifications.

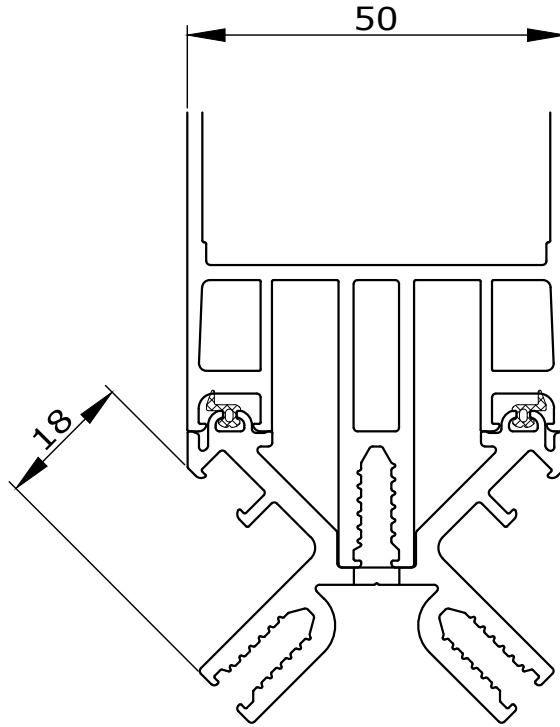
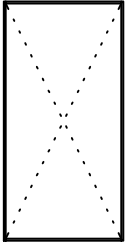


Copyright and ownership of this drawing is vested in EFT,  
Euro Facade Systems Ltd, whose prior written consent is required  
for its use, reproduction or for publication to any third party.  
All other rights reserved. Subject to modifications.

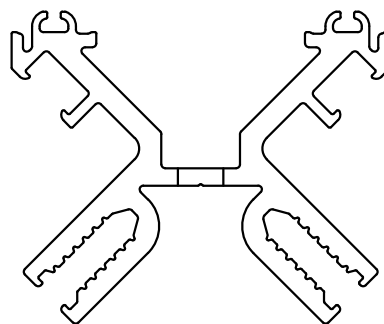
4 Profile sections

Corner mullion adaptor

Comar 6EFT



4.06



1265

Fabricators Guide

Changes reserved  
Sous reserve de modifications  
Änderungen vorbehalten

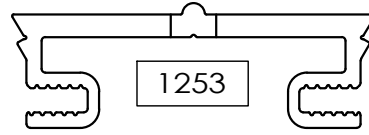
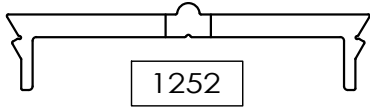
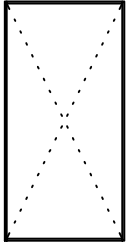
Issue: 05  
Date: 10-16

# Profile Sections

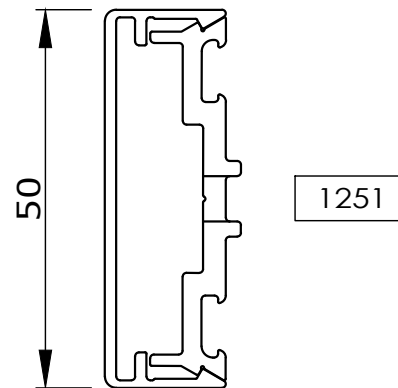
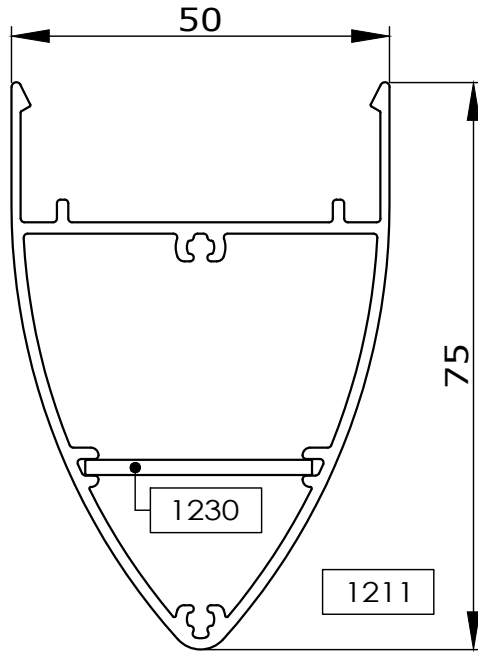
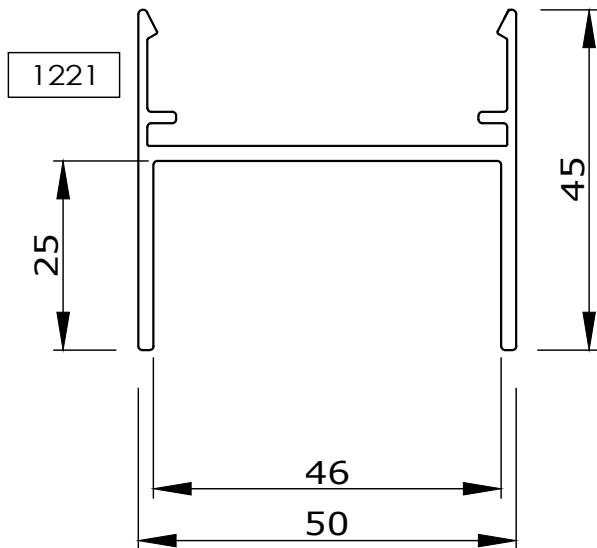
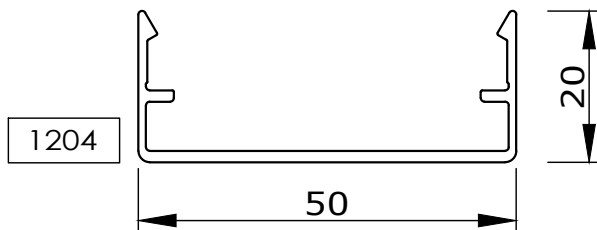
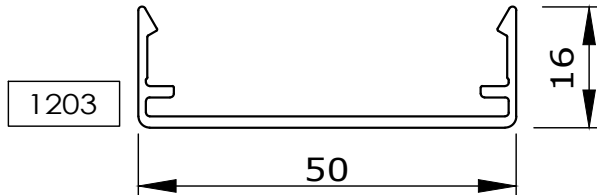
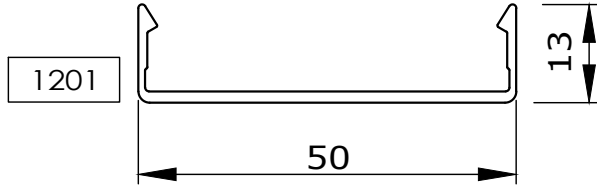
4

## Comar 6EFT

### Pressure plates & cover caps



4.07

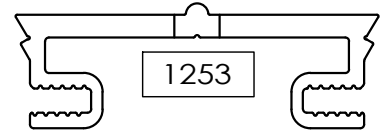
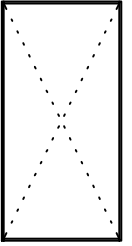


Fabricators Guide

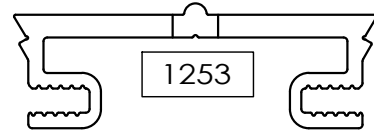
Copyright and ownership of this drawing is vested in EFT, Euro Facade Systems Ltd, whose prior written consent is required for its use, reproduction or for publication to any third party. All other rights reserved. Subject to modifications.

Pressure plates & cover caps

Comar 6EFT



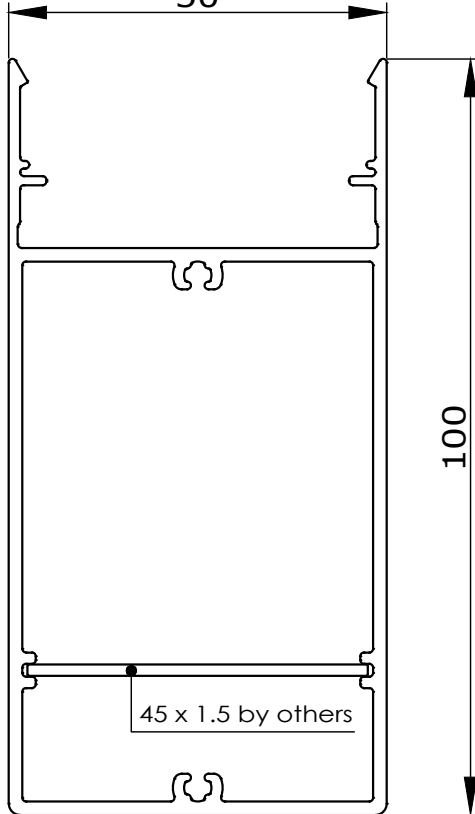
1253



1253

50

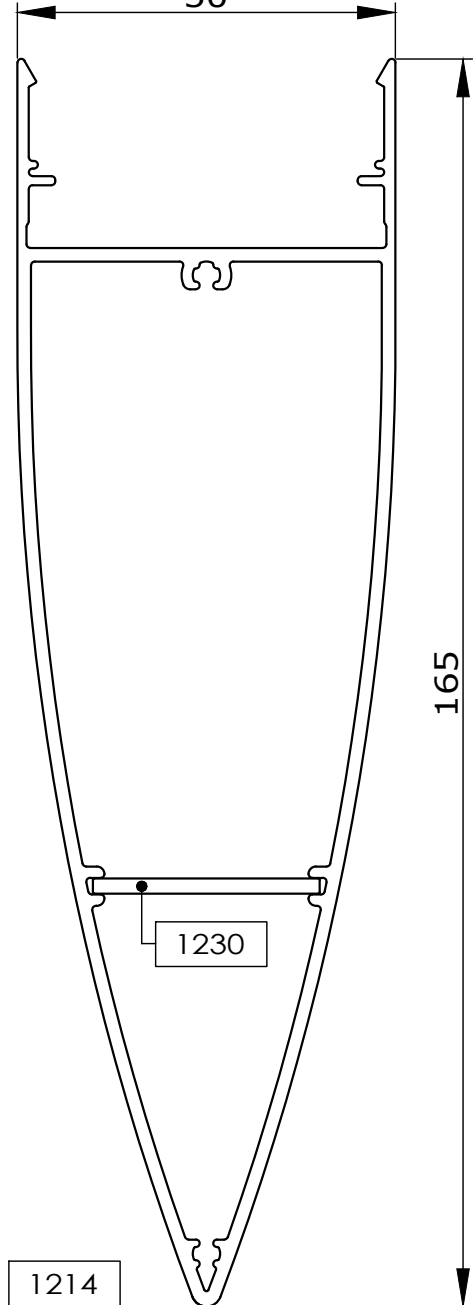
50



1213

100

45 x 1.5 by others



1214

4.08

165

1230

Fabricators Guide

Copyright and ownership of this drawing is vested in EFT, Euro Facade Systems Ltd, whose prior written consent is required for its use, reproduction or for publication to any third party. All other rights reserved.

Changes reserved  
 Sous reserve de modifications  
 Änderungen vorbehalten

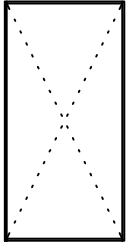
Issue: 05  
 Date: 10-16

# Profile Sections

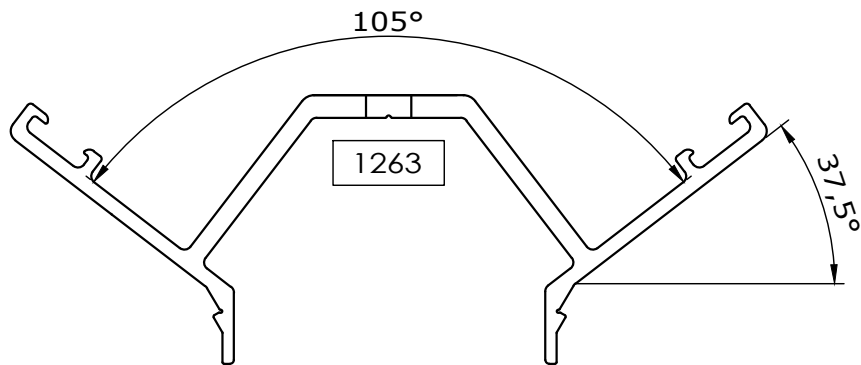
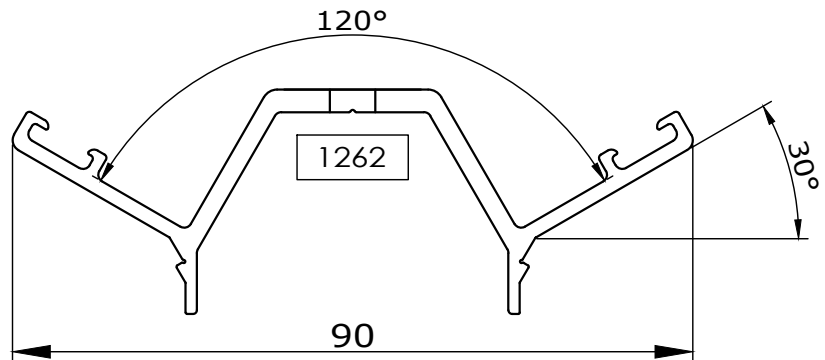
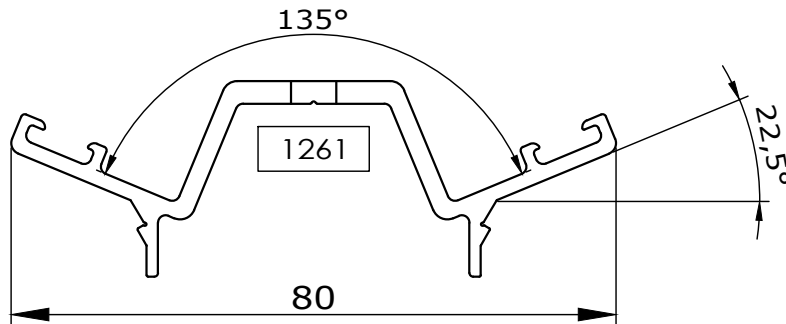
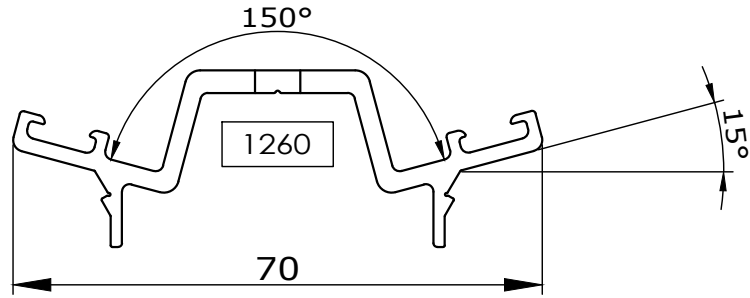
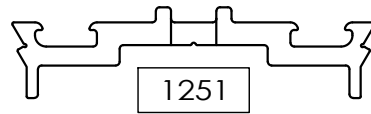
# 4

## Comar 6EFT

## Facetted pessure plates



4.09



Copyright and ownership of this drawing is vested in EFT, Euro Facade Systems Ltd, whose prior written consent is required for its use, reproduction or for publication to any third party. All other rights reserved. Subject to modifications.

Fabricators Guide



**comar**  
ARCHITECTURAL ALUMINIUM SYSTEMS

Changes reserved  
Sous reserve de modifications  
Änderungen vorbehalten

Issue: 05  
Date : 10-16

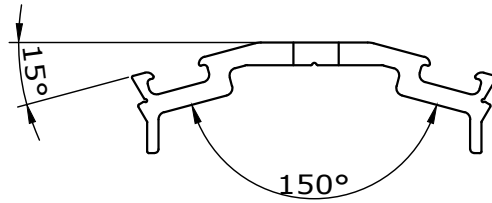
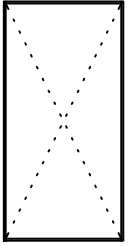
Copyright and ownership of this drawing is vested in EFT, Euro Facade Systems Ltd, whose prior written consent is required for its use, reproduction or for publication to any third party. All other rights reserved. Subject to modifications.

4

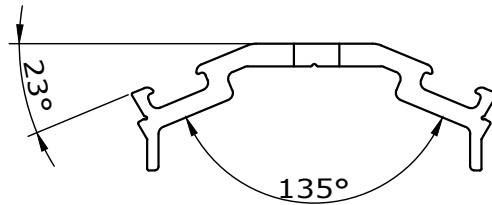
Profile sections

### Facetted pressure plates

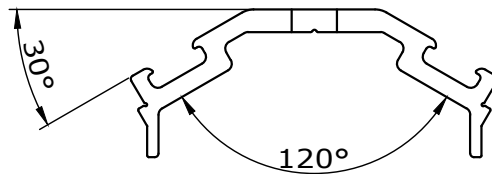
Comar 6EFT



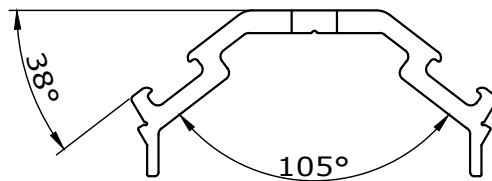
1266



1267



1268



1269

4.10

Fabricators Guide

Changes reserved  
Sous reserve de modifications  
Änderungen vorbehalten

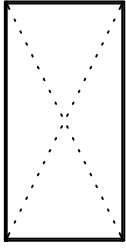
Issue: 05  
Date: 10-16

Profile Sections

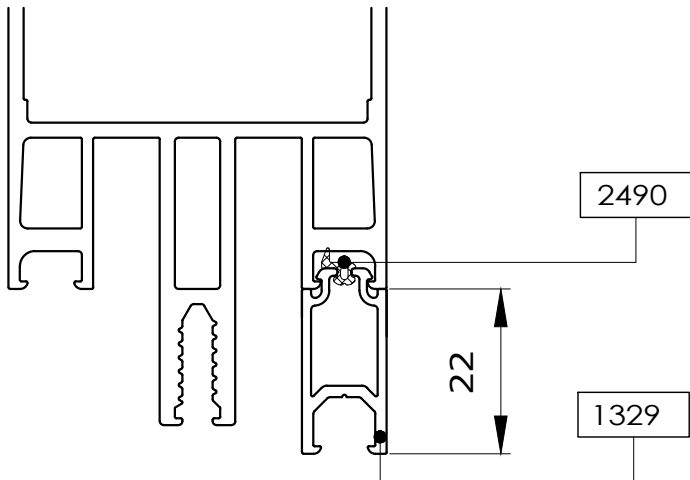
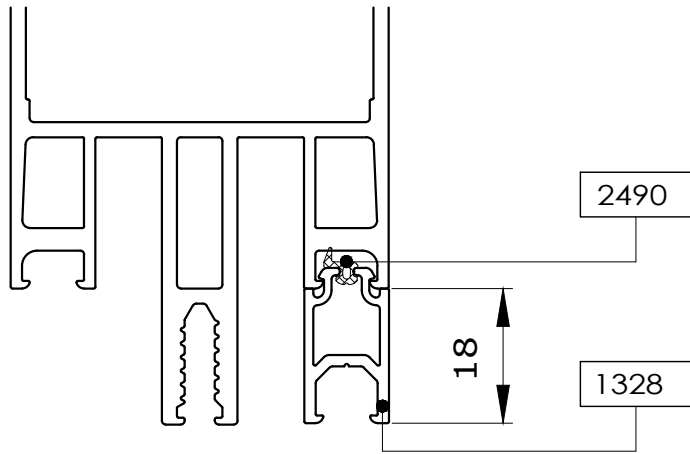
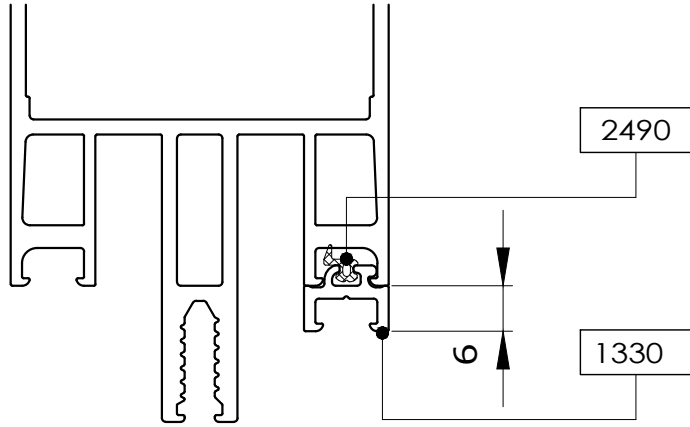
4

Comar 6EFT

Glazing adaptors



4.11



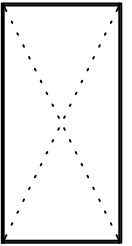
Copyright and ownership of this drawing is vested in EFT, Euro Facade Systems Ltd, whose prior written consent is required for its use, reproduction or for publication to any third party. All other rights reserved. Subject to modifications.

Changes reserved  
Sous reserve de modifications  
Änderungen vorbehalten

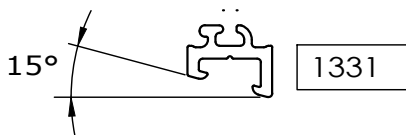
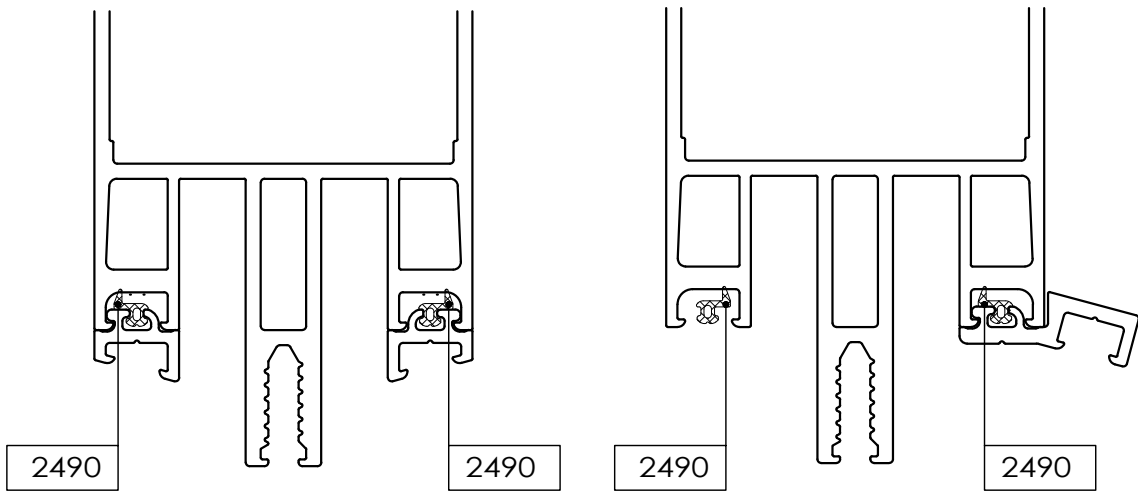
Issue: 05  
Date : 10-16

Facetted glazing adaptors

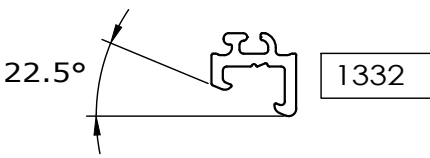
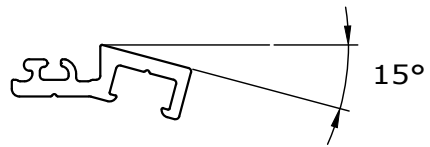
Comar 6EFT



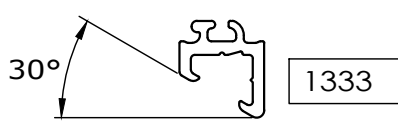
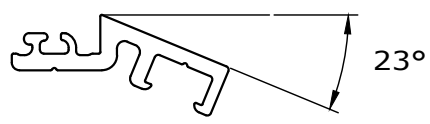
4.12



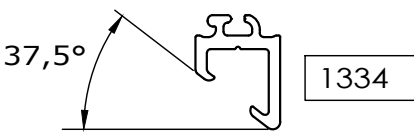
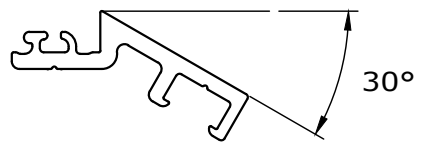
1336



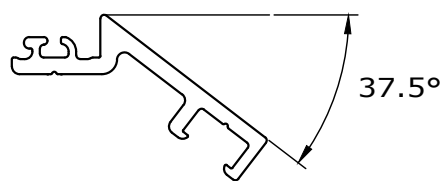
1337



1338



1339



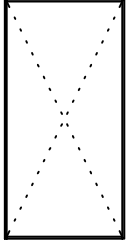
Changes reserved  
 Sous reserve de modifications  
 Änderungen vorbehalten

Issue: 05  
 Date: 10-16

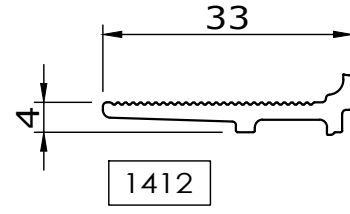
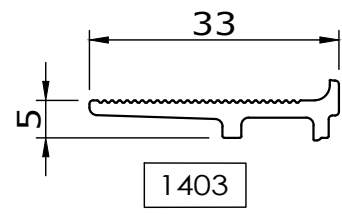
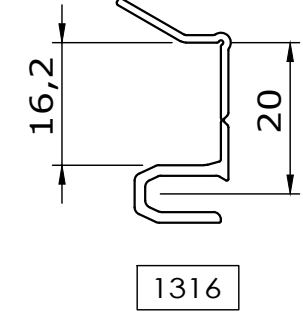
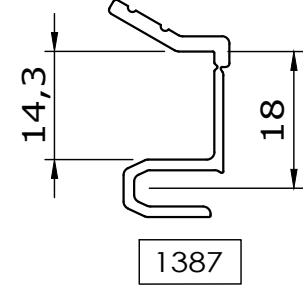
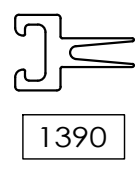
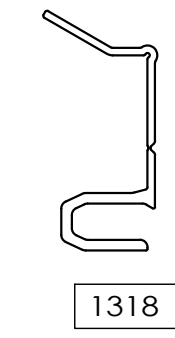
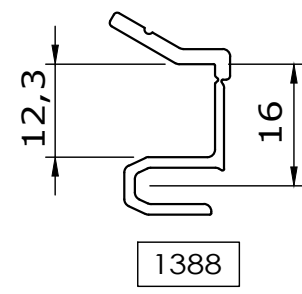
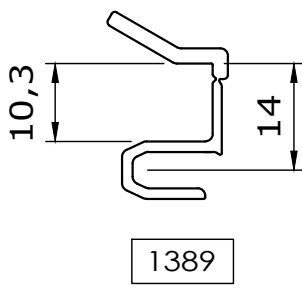
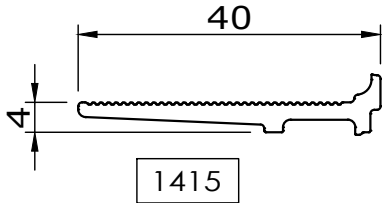
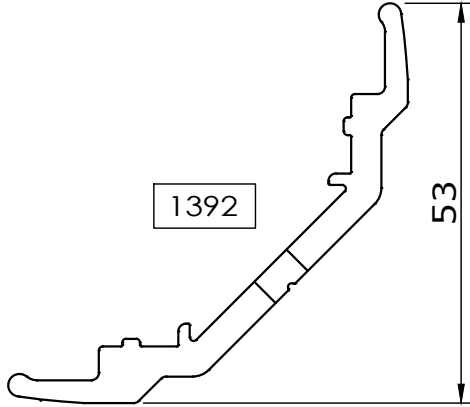
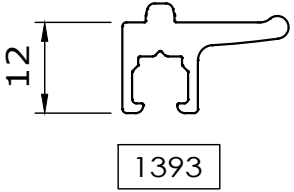
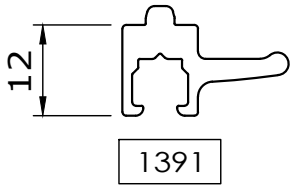
Copyright and ownership of this drawing is vested in EFT, Euro Facade Systems Ltd, whose prior written consent is required for its use, reproduction or for publication to any third party. All other rights reserved. Subject to modifications.

Profile Sections 4

Clamps, inserts & glass setting blocks



4.13



Copyright and ownership of this drawing is vested in EFT, Euro Facade Systems Ltd, whose prior written consent is required for its use, reproduction or for publication to any third party. All other rights reserved. Subject to modifications.

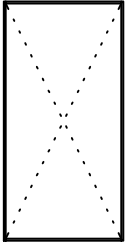


Copyright and ownership of this drawing is vested in EFT,  
Euro Facade Systems Ltd, whose prior written consent is required  
for its use, reproduction or for publication to any third party.  
All other rights reserved. Subject to modifications.

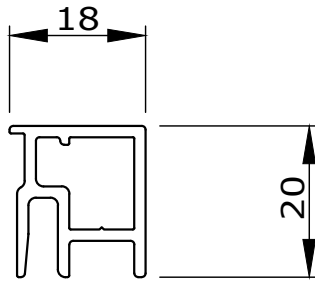
# 4 Profile sections

## Single glazing & panel frames

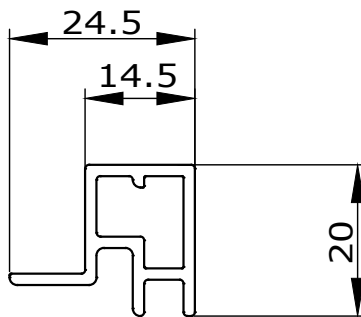
## Comar 6EFT



4.14



1335



1346

Changes reserved  
Sous reserve de modifications  
Änderungen vorbehalten

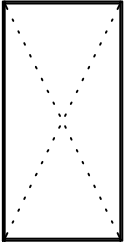
Issue: 05  
Date: 10-16

Profile Sections

4

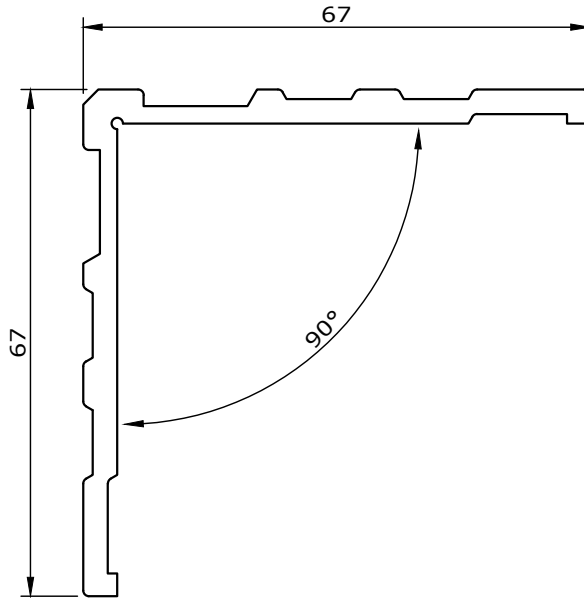
Comar 6EFT

Crimping cleats

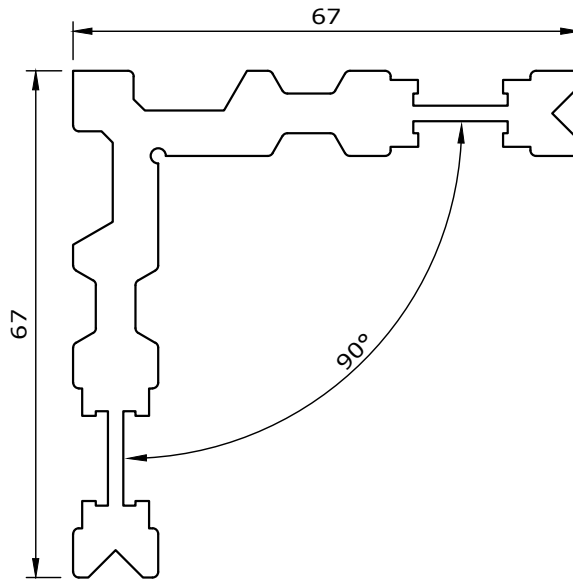


4.15

1431 - Corner cleat - 4.5 mm



1435 - Corner cleat - 11.8 mm



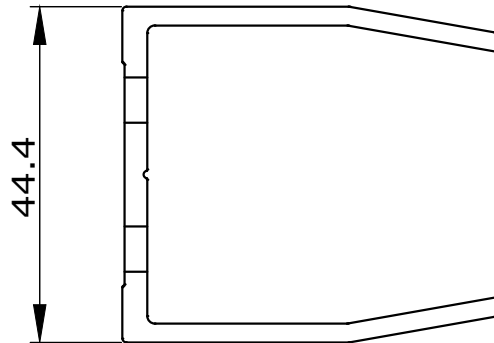
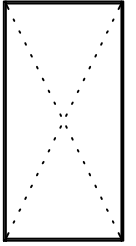
Copyright and ownership of this drawing is vested in EFT, Euro Facade Systems Ltd, whose prior written consent is required for its use, reproduction or for publication to any third party. All other rights reserved. Subject to modifications.

Copyright and ownership of this drawing is vested in EFT,  
Euro Facade Systems Ltd, whose prior written consent is required  
for its use, reproduction or for publication to any third party.  
All other rights reserved. Subject to modifications.

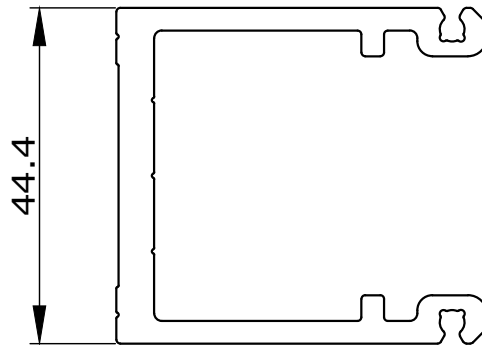
## Cleats

# 4 Profiles sections

Comar 6EFT



1300



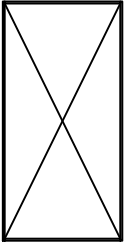
1305

4.16

Fabricators Guide

Changes reserved  
Sous reserve de modifications  
Änderungen vorbehalten

Issue: 05  
Date: 10-16



4.17 - 4.99

FUTURE ADDITION

Copyright and ownership of this drawing is vested in EFT, Euro Facade Systems Ltd, whose prior written consent is required for its use, reproduction or for publication to any third party. All other rights reserved. Subject to modifications.