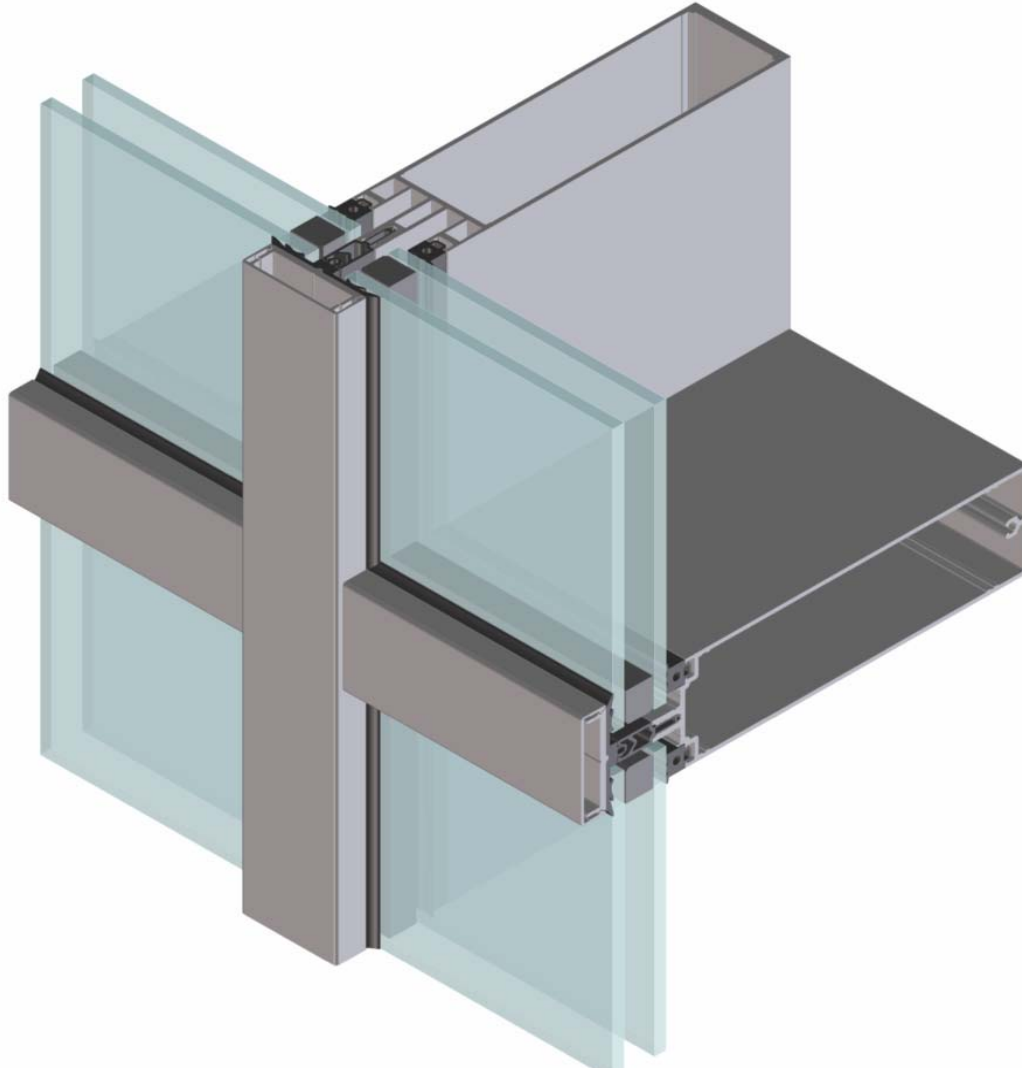
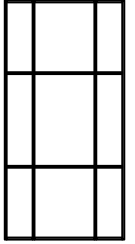


Copyright and ownership of this drawing is vested in EFT, Euro Facade Systems Ltd, whose prior written consent is required for its use, reproduction or for publication to any third party. All other rights reserved. Subject to modifications.

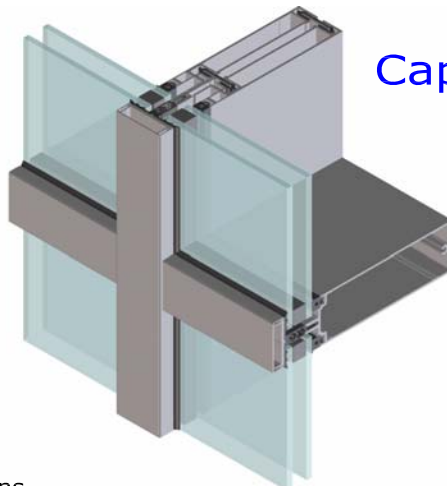
2 Typical details

Comar 6EFT

Capped



Capped Split Mullion



Fabricators Guide

Changes reserved
Sous reserve de modifications
Änderungen vorbehalten

Issue: 05
Date : 10 -16

Introduction

Comar 6EFT Curtain Wall

Comar 6EFT Capped Curtain Wall System enables the construction of attractive curtain walling, with the benefits of slim sightlines.

This thermally insulated system consists of standard 50mm profiles, bespoke profiles are available upon request.

Specification Summary

Comar 6EFT Curtain Walling is a mullion drained, thermally broken curtain wall system, which consists of 50mm mullions and transoms suitable for facades.

Various cover caps are available for this system. The smallest sightline can be achieved using a 50 mm wide double chamfered cap to provide a visible front face of 16mm.

Cover caps should have a typical edge radius of 1.5mm for an even distribution of the powder coated layer.

Glazing

The system is externally glazed. Glazing should conform to the requirements of BS 6262 for thickness, type, wind resistance, safety and security.

Drainage

The system is mullion drained, achieved by meeting the requirements of "ventilated and drained glazing system" as specified in BS 6262.

Thermal Insulation

Class 2.1 in accordance with DIN 4108 (2.0-2.8 W/m²K) or EN ISO 10077 - 1

The thermal transmittance (U_f) W/m²K, is depending on the insulator strip, calculated as per EN ISO 10077 - 1.

Comparable with class 2.1 DIN 4108 - 4 Table 3

Sound Insulation

Dependant on the glass specification, generally the curtain wall framing reduces the figure by 2dB (A).

Materials

The system is constructed from extruded aluminium profiles, using alloy 6063 complying to the requirements of BS 1474.

The thermal barrier system is achieved by means of PVC/PP extrusion.

Construction

Any instructions regarding the manufacture and installation of the system must be strictly adhered to.

Weathering

Glazing vision strips are made of EPDM conforming to BS 4255 Part 1

Performance / exposure category

The system will achieve the following criteria when manufactured, installed and glazed to EFT recommended procedures, in accordance with CWCT approved testing methods.

Classification

Air permeability:	BS EN 12152 - Class AE 750
Water tightness:	BS EN 12154 - Class RE 750
Wind resistance:	BS EN 13116 - 2400 Pa design - 3600 Pa safety

2400Pa (Pascal's) is dependant upon correct mullion and transom selection to suit span and spacing by project.

Size limitations

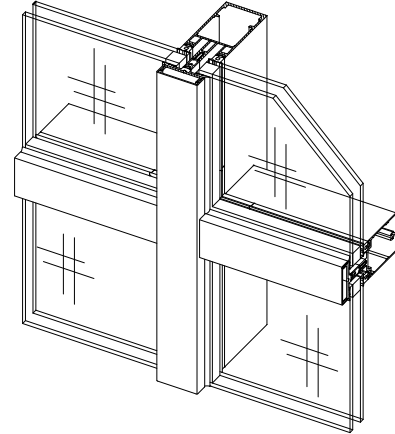
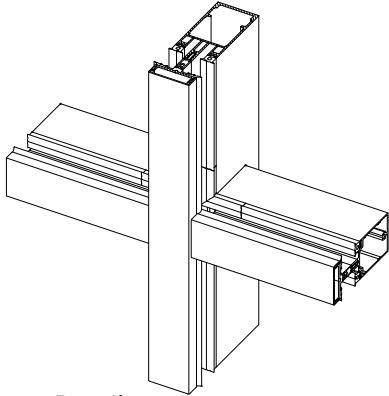
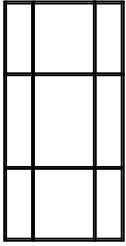
The size limitations of the system depends mainly on the mullion/transom members used to suit the span, spacing and wind/dead loads, which are specific for each individual project.

Please refer to Comar's Technical Office for advise.



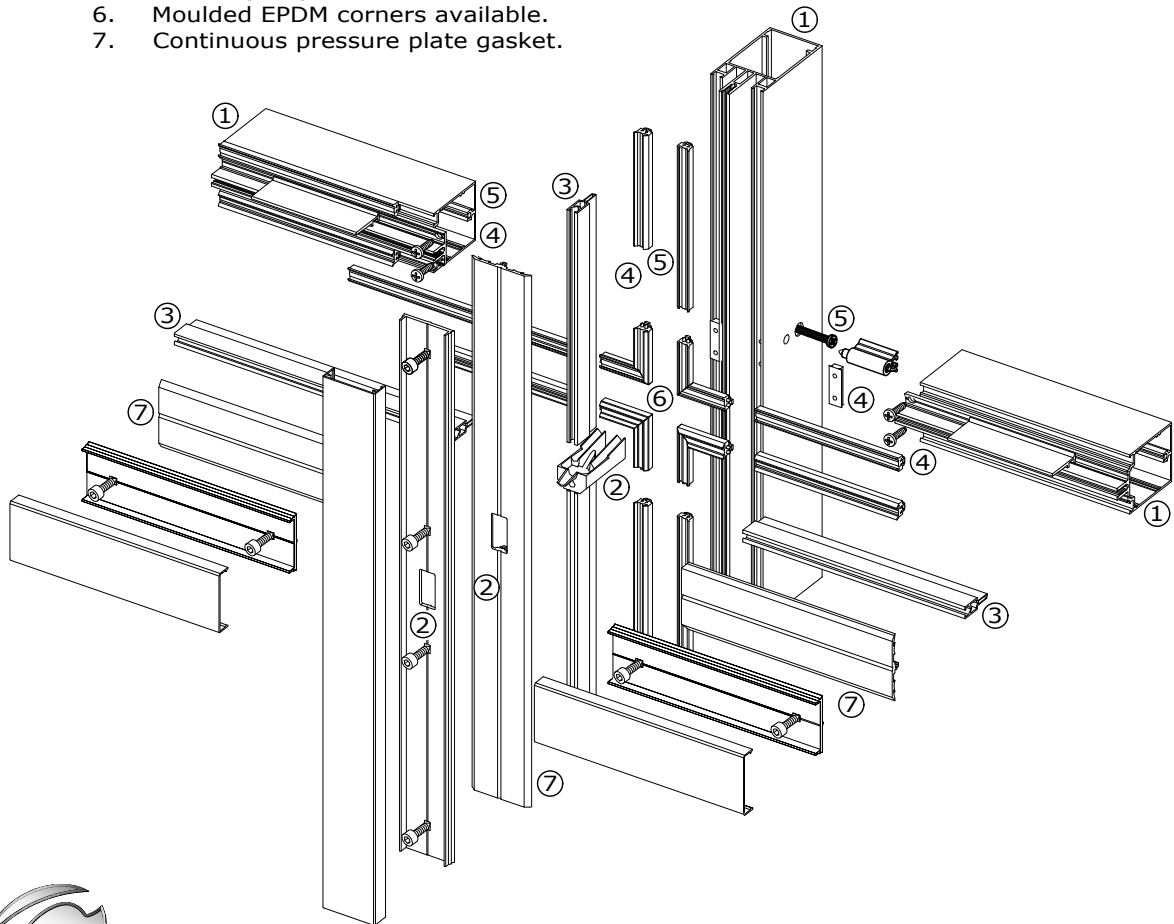
Comar 6EFT

Exploded Typical Detail Fully Capped



Details:

1. One substructure for all curtain wall types (Fully Capped / 2sided SGH / 2sided SGV / 4sided SG).
2. Controlled drainage system (mullion drained) drainage diverter/cover.
3. Thermally broken.
4. Mullion-Transom step-cut & sealed by EPDM moulding.
5. Ladder (unit) construction or stick build.
6. Moulded EPDM corners available.
7. Continuous pressure plate gasket.



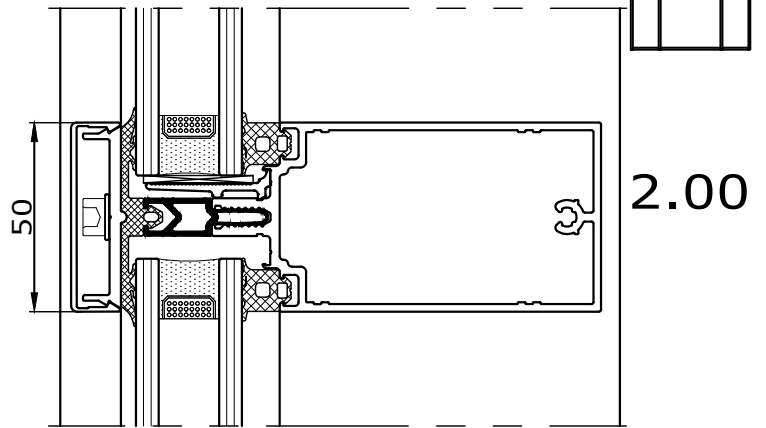
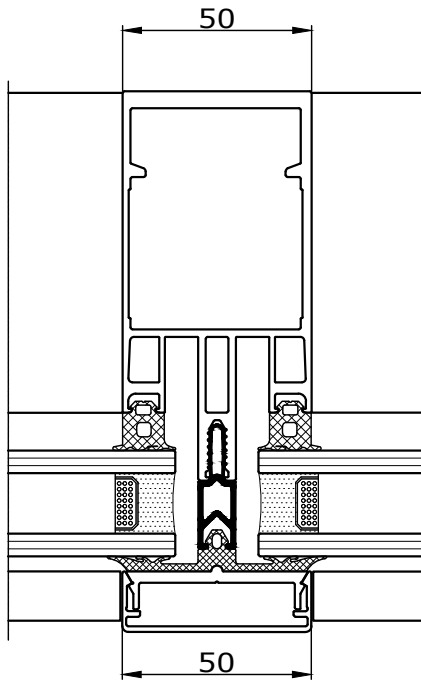
Copyright and ownership of this drawing is vested in EFT, Euro Facade Systems Ltd, whose prior written consent is required for its use, reproduction or for publication to any third party. All other rights reserved.

2

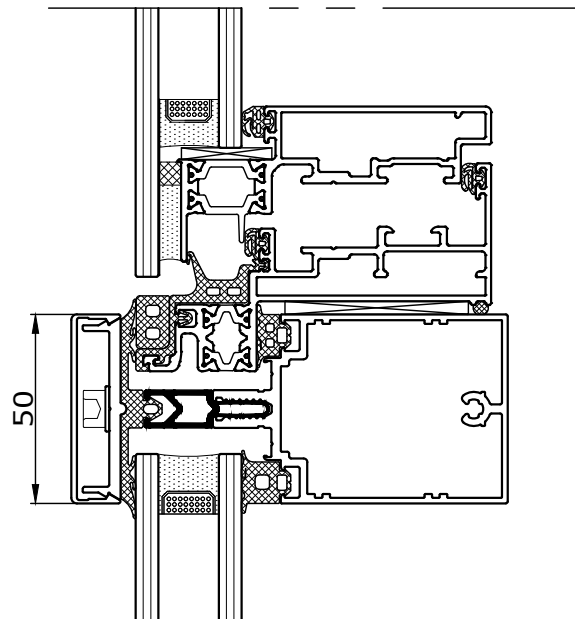
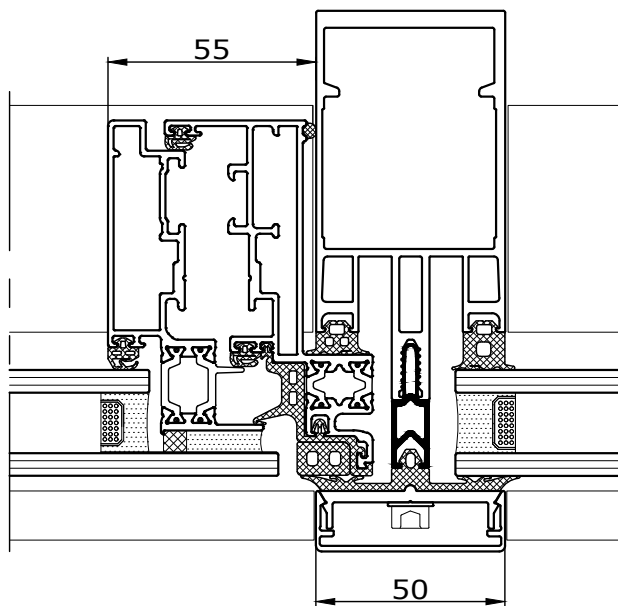
Typical details

Capped Curtain Walling

Comar 6EFT



Including Comar 6EFT Concealed Vent



Fabricators Guide

For concealed vent details, refer to section 8

Changes reserved
 Sous reserve de modifications
 Änderungen vorbehalten

Issue: 05
 Date : 03-17

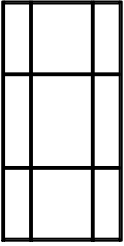


Typical details

2

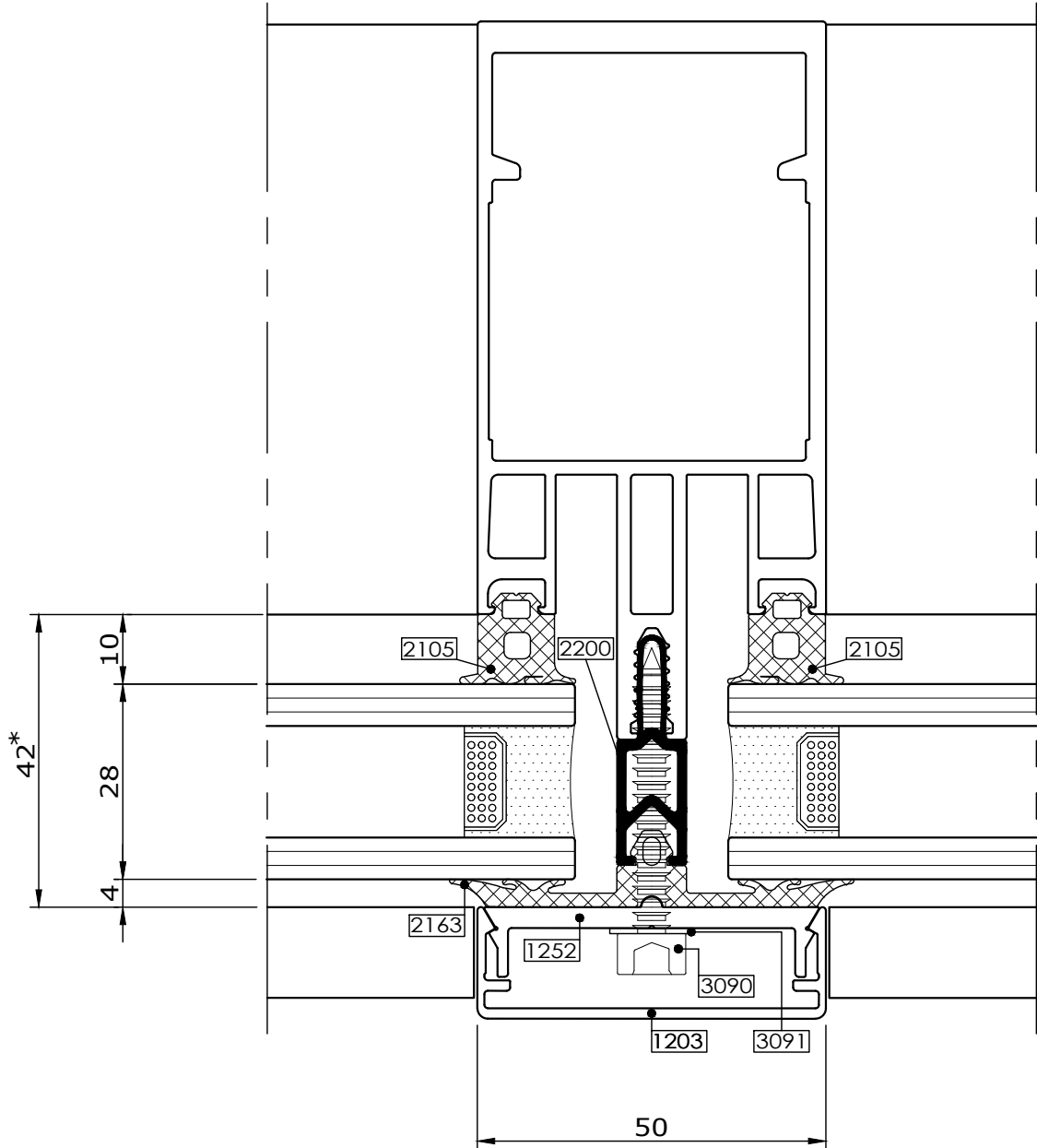
Comar 6EFT

Mullion detail
Double glazed



2.01

Fabricators Guide



Copyright and ownership of this drawing is vested in EFT, Euro Facade Systems Ltd, whose prior written consent is required for its use, reproduction or for publication to any third party. All other rights reserved. Subject to modifications.

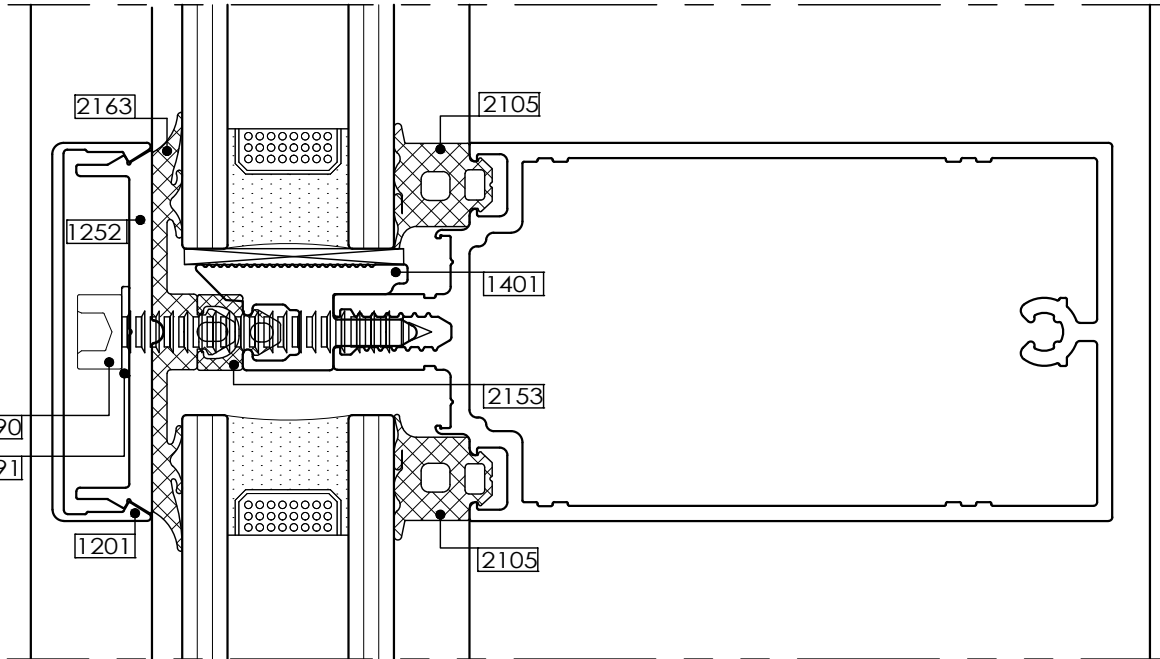
* Refer to Glazing Chart for glazing options

Changes reserved
Sous reserve de modifications
Änderungen vorbehalten

Issue: 05
Date : 03 -17

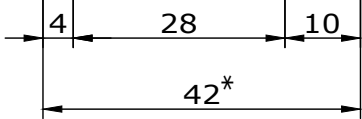
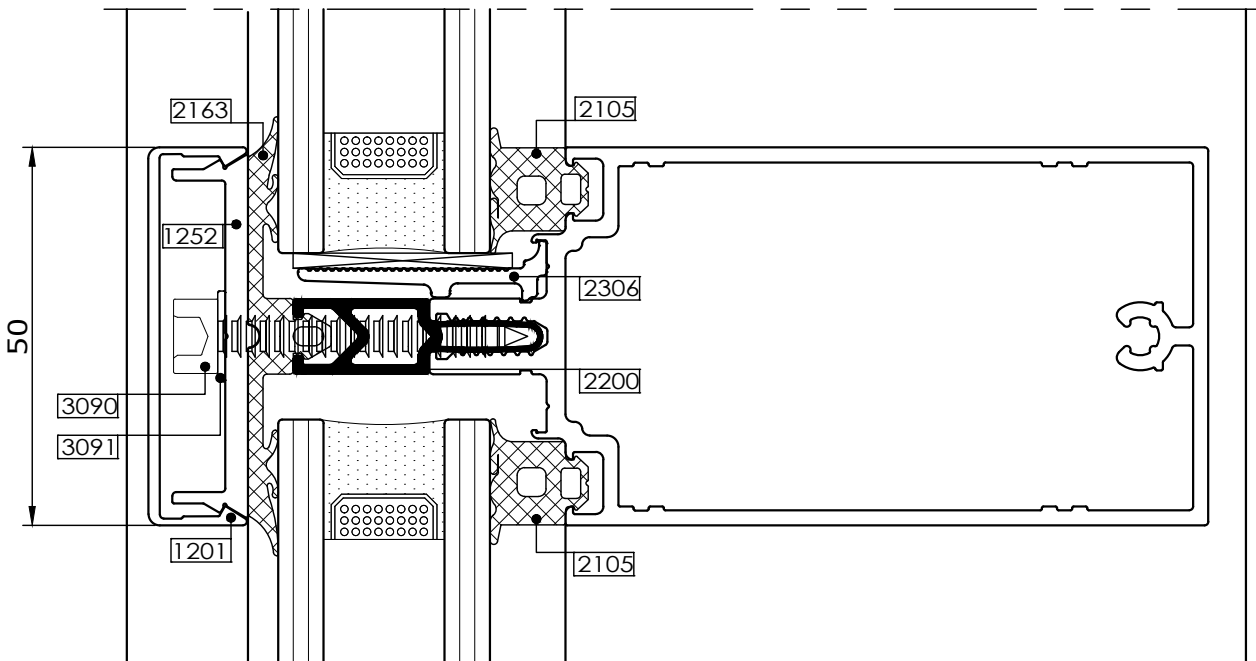
Transom detail
Double glazed

Copyright and ownership of this drawing is vested in EFT, Euro Facade Systems Ltd, whose prior written consent is required for its use, reproduction or for publication to any third party. All other rights reserved. Subject to modifications.



2.02

Fabricators Guide



* Refer to Glazing Chart for glazing options

Changes reserved
Sous reserve de modifications
Änderungen vorbehalten

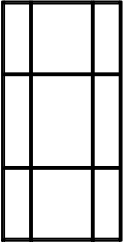
Issue: 05
Date : 10 -16

Typical details

2

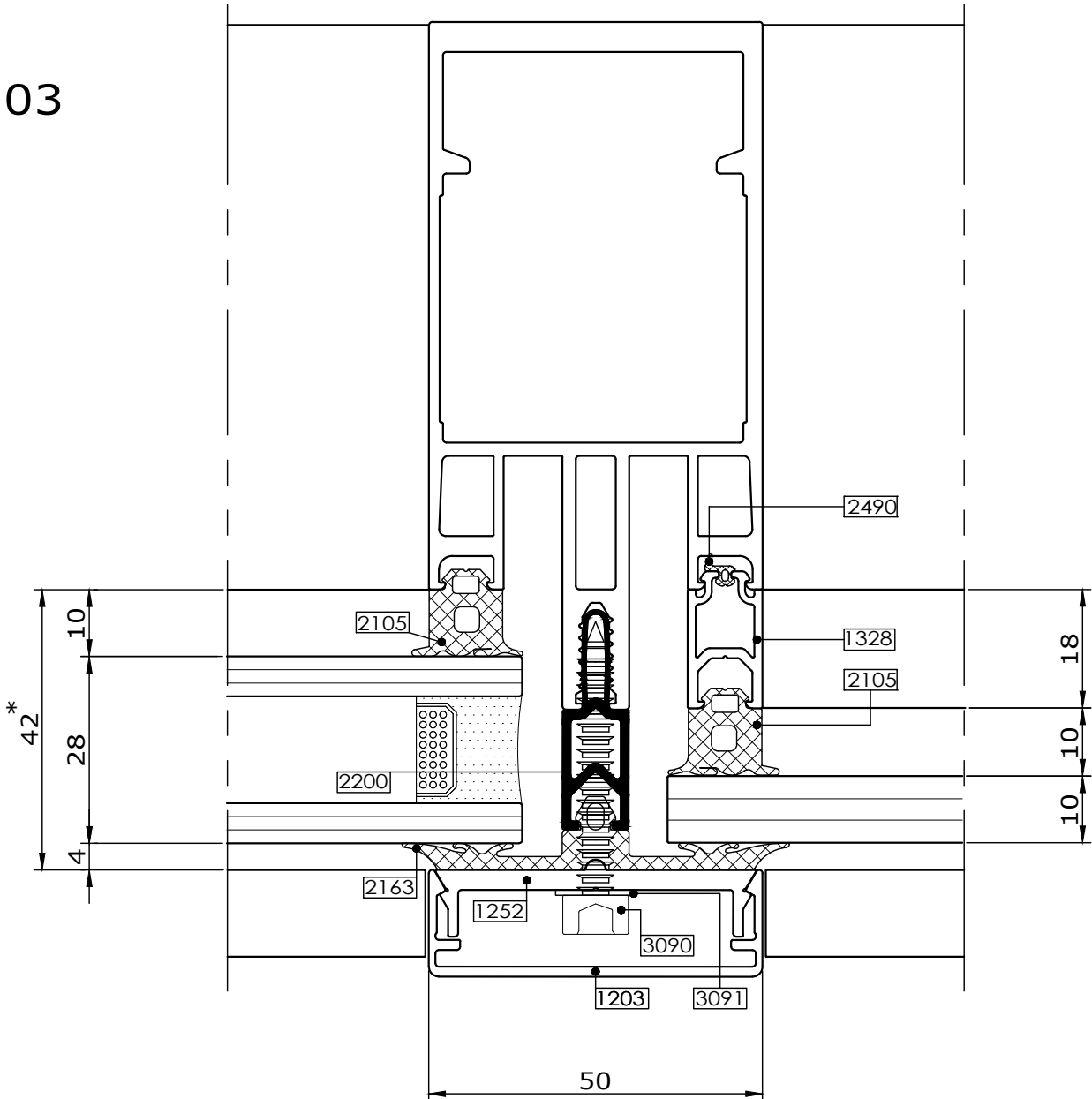
Comar 6EFT

Mullion detail
Double to single glazed



2.03

Fabricators Guide



* Refer to Glazing Chart for glazing options



comar
ARCHITECTURAL ALUMINIUM SYSTEMS

Changes reserved
Sous reserve de modifications
Änderungen vorbehalten

Issue: 05
Date : 03 -17

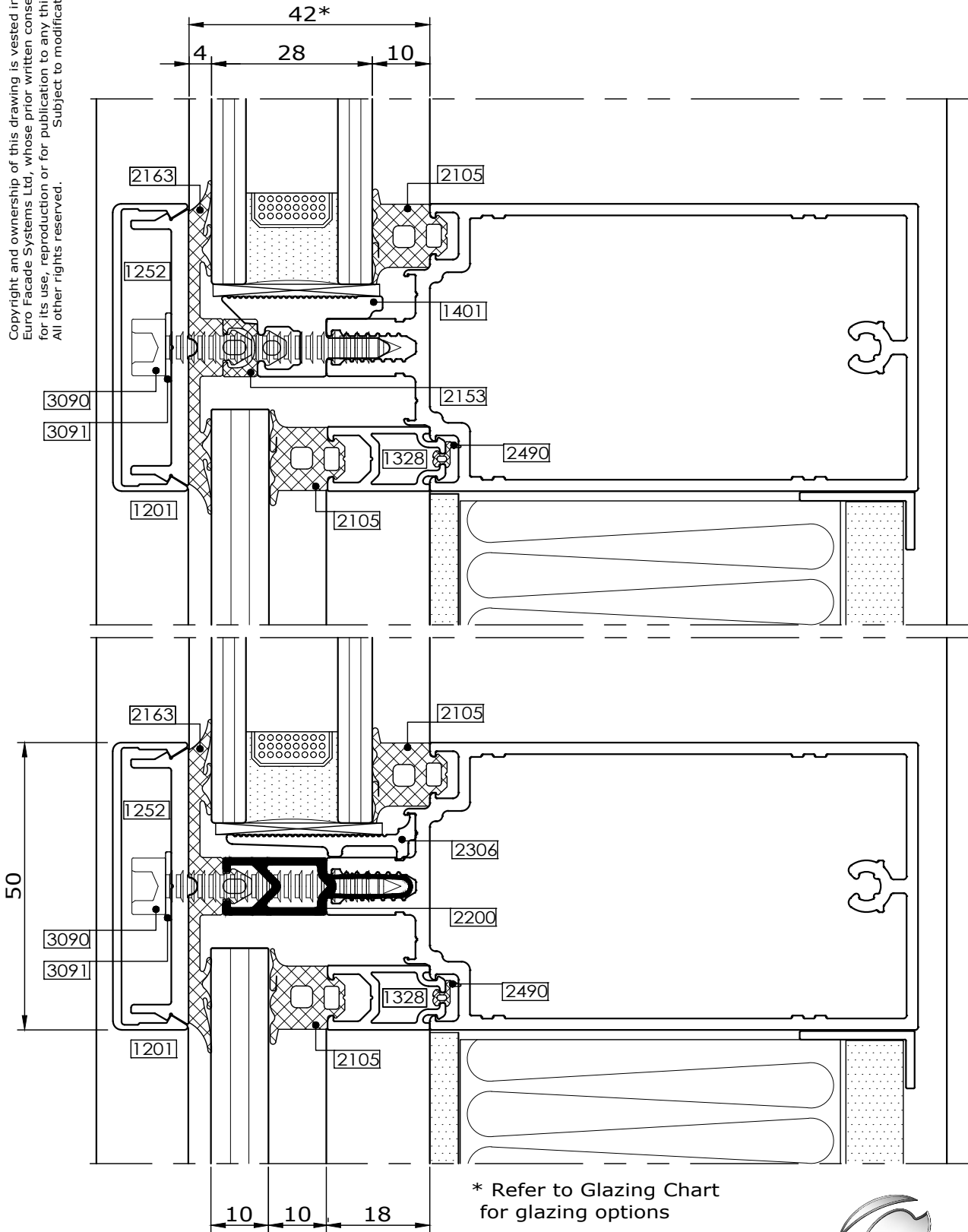
Copyright and ownership of this drawing is vested in EFT, Euro Facade Systems Ltd, whose prior written consent is required for its use, reproduction or for publication to any third party. All other rights reserved. Subject to modifications.

Transom detail
Double to single glazed

2.04

Fabricators Guide

Copyright and ownership of this drawing is vested in EFT, Euro Facade Systems Ltd, whose prior written consent is required for its use, reproduction or for publication to any third party. All other rights reserved. Subject to modifications.



Changes reserved
Sous reserve de modifications
Änderungen vorbehalten

Issue: 05
Date : 10 -16

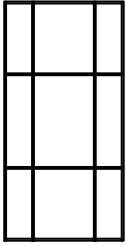


Typical details

2

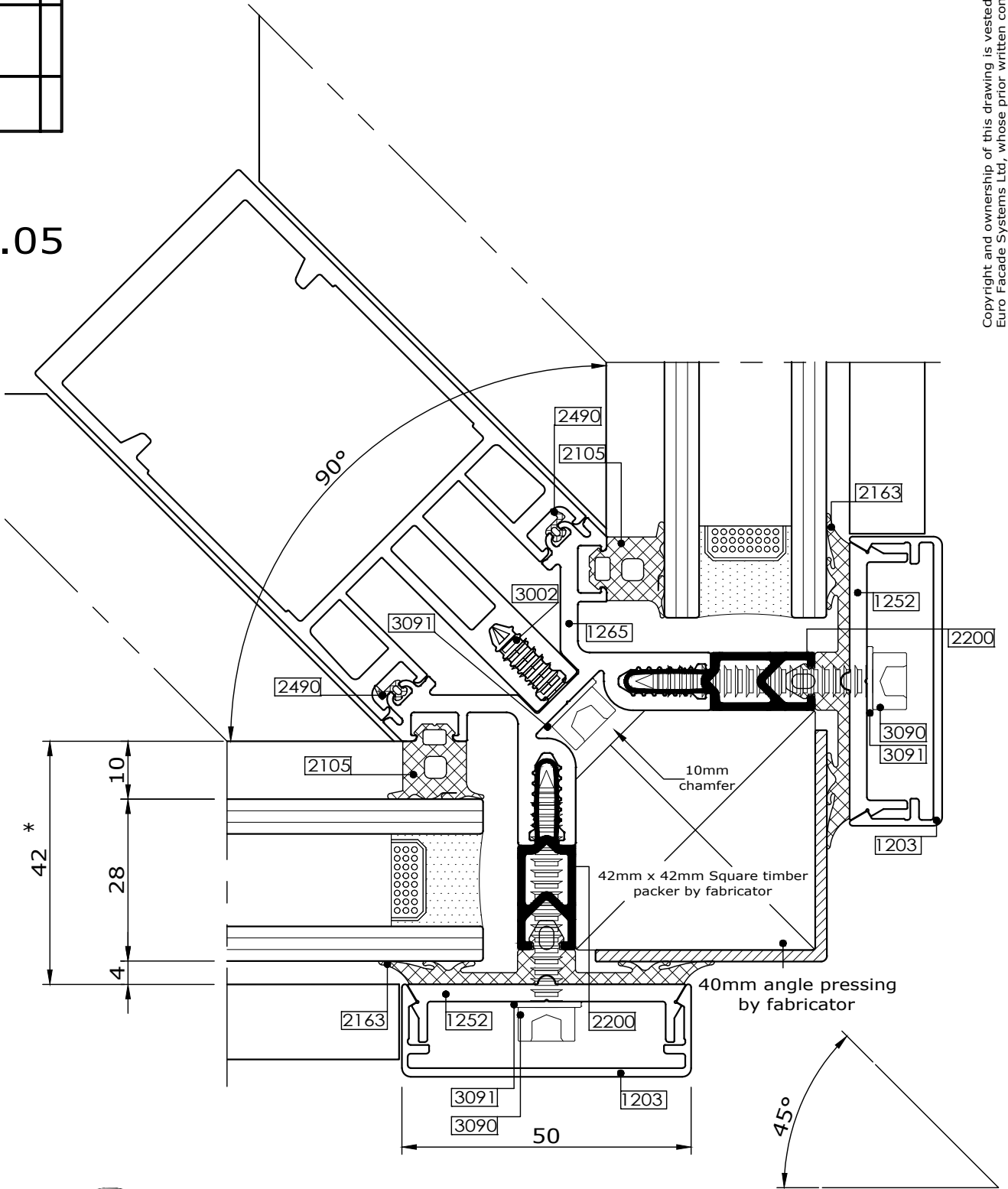
Comar 6EFT

Mullion detail 45° corner



2.05

Fabricators Guide



* Refer to Glazing Chart for glazing options

Changes reserved
Sous reserve de modifications
Änderungen vorbehalten

Issue: 05
Date : 03 -17

Copyright and ownership of this drawing is vested in EFT, Euro Facade Systems Ltd, whose prior written consent is required for its use, reproduction or for publication to any third party. All other rights reserved. Subject to modifications.



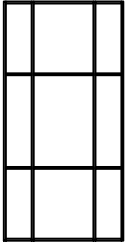
comar
ARCHITECTURAL ALUMINIUM SYSTEMS

Copyright and ownership of this drawing is vested in EFT, Euro Facade Systems Ltd, whose prior written consent is required for its use, reproduction or for publication to any third party. All other rights reserved. Subject to modifications.

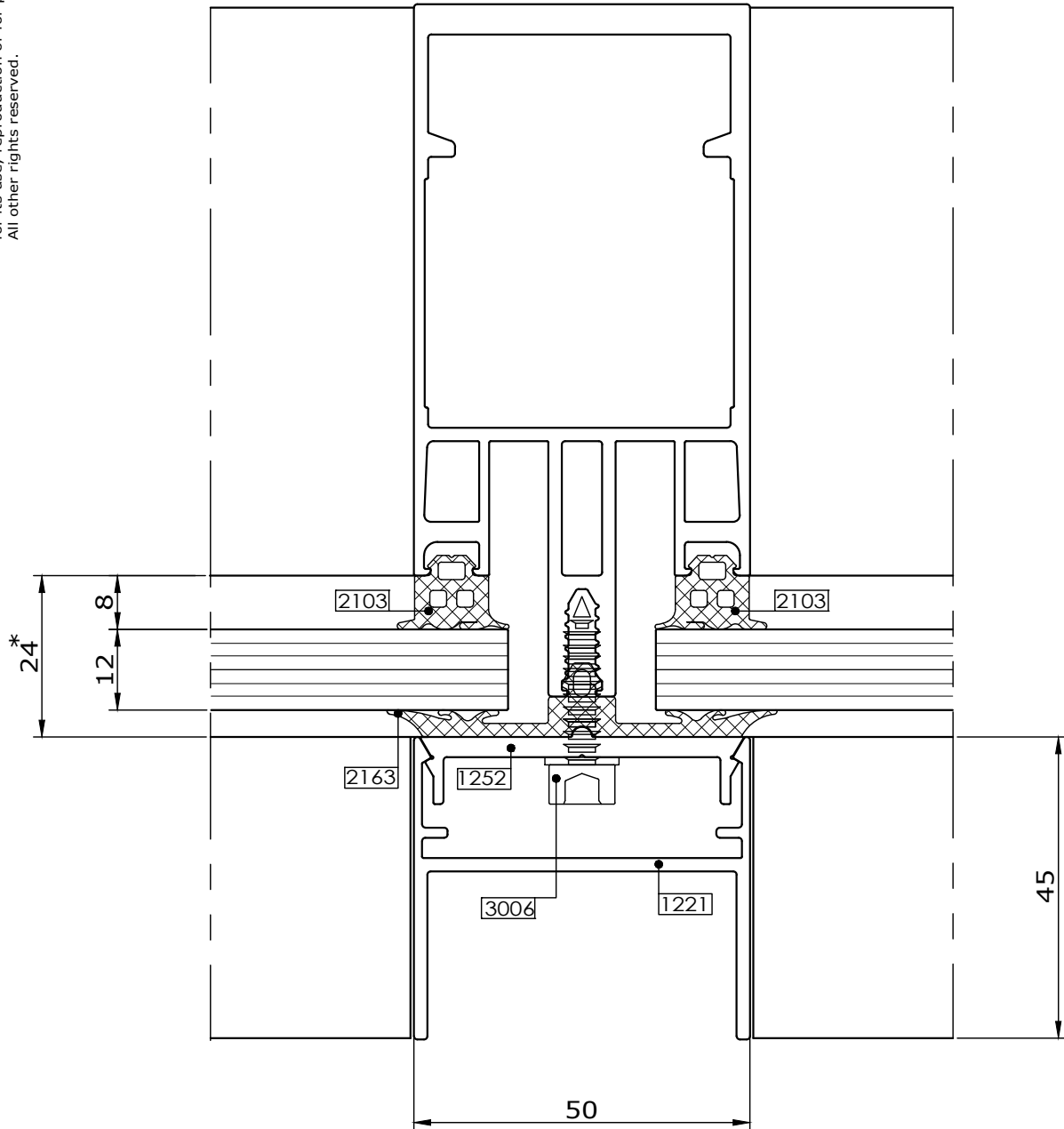
Mullion detail Single glazed

2 Typical details

Comar 6EFT



2.06



Fabricators Guide

* Refer to Glazing Chart for glazing options

Changes reserved
Sous reserve de modifications
Änderungen vorbehalten

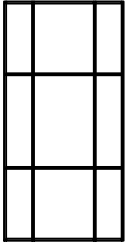
Issue: 05
Date : 03 -17

Typical details

2

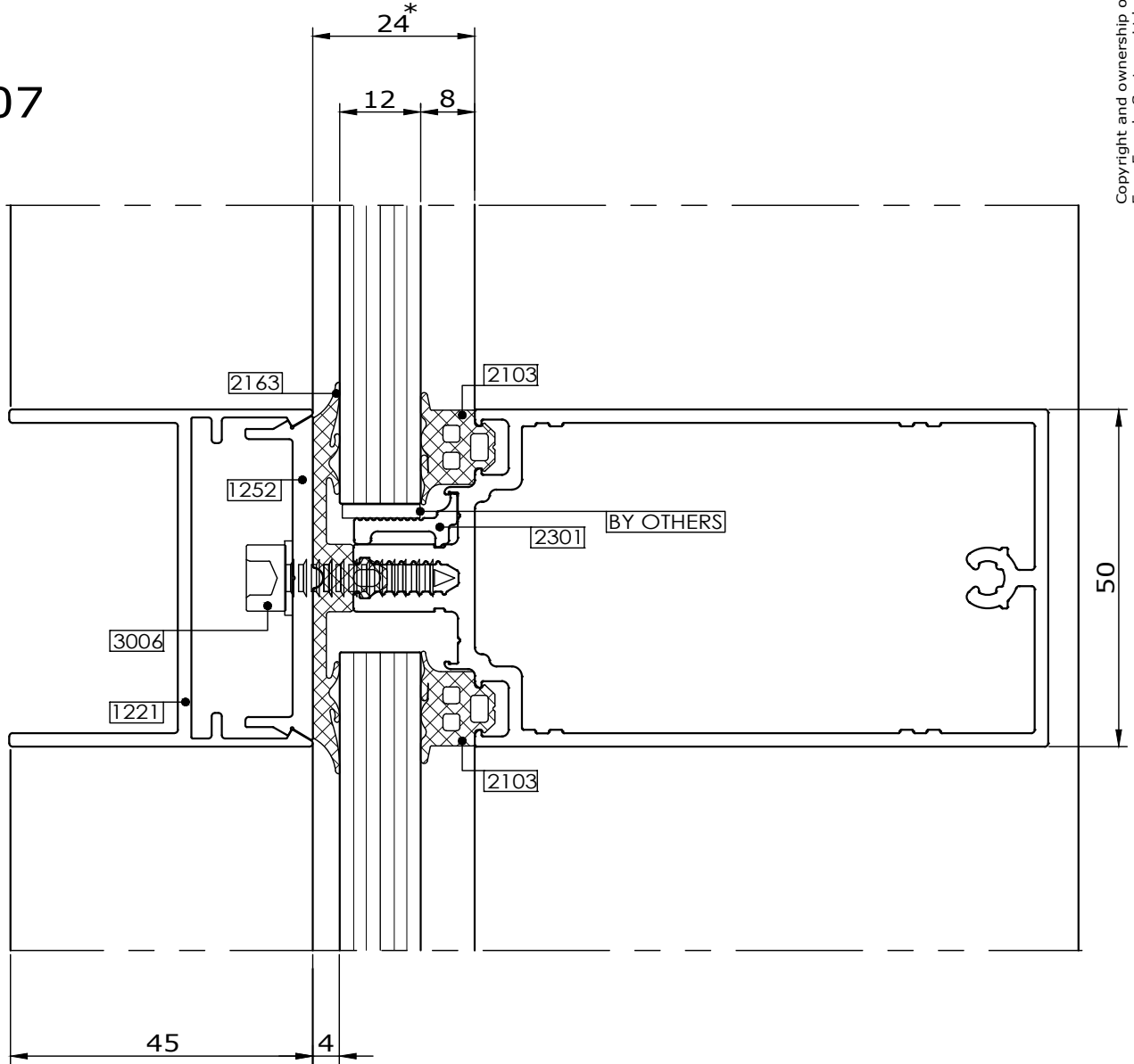
Comar 6EFT

Transom detail
Single glazed



2.07

Fabricators Guide



* Refer to Glazing Chart for glazing options



comar
ARCHITECTURAL ALUMINIUM SYSTEMS

Changes reserved
Sous reserve de modifications
Änderungen vorbehalten

Issue: 05
Date : 10 -16

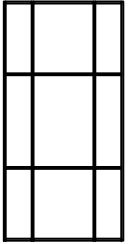
Copyright and ownership of this drawing is vested in EFT,
Euro Facade Systems Ltd, whose prior written consent is required
for its use, reproduction or for publication to any third party.
All other rights reserved. Subject to modifications.

Copyright and ownership of this drawing is vested in EFT, Euro Facade Systems Ltd, whose prior written consent is required for its use, reproduction or for publication to any third party. All other rights reserved. Subject to modifications.

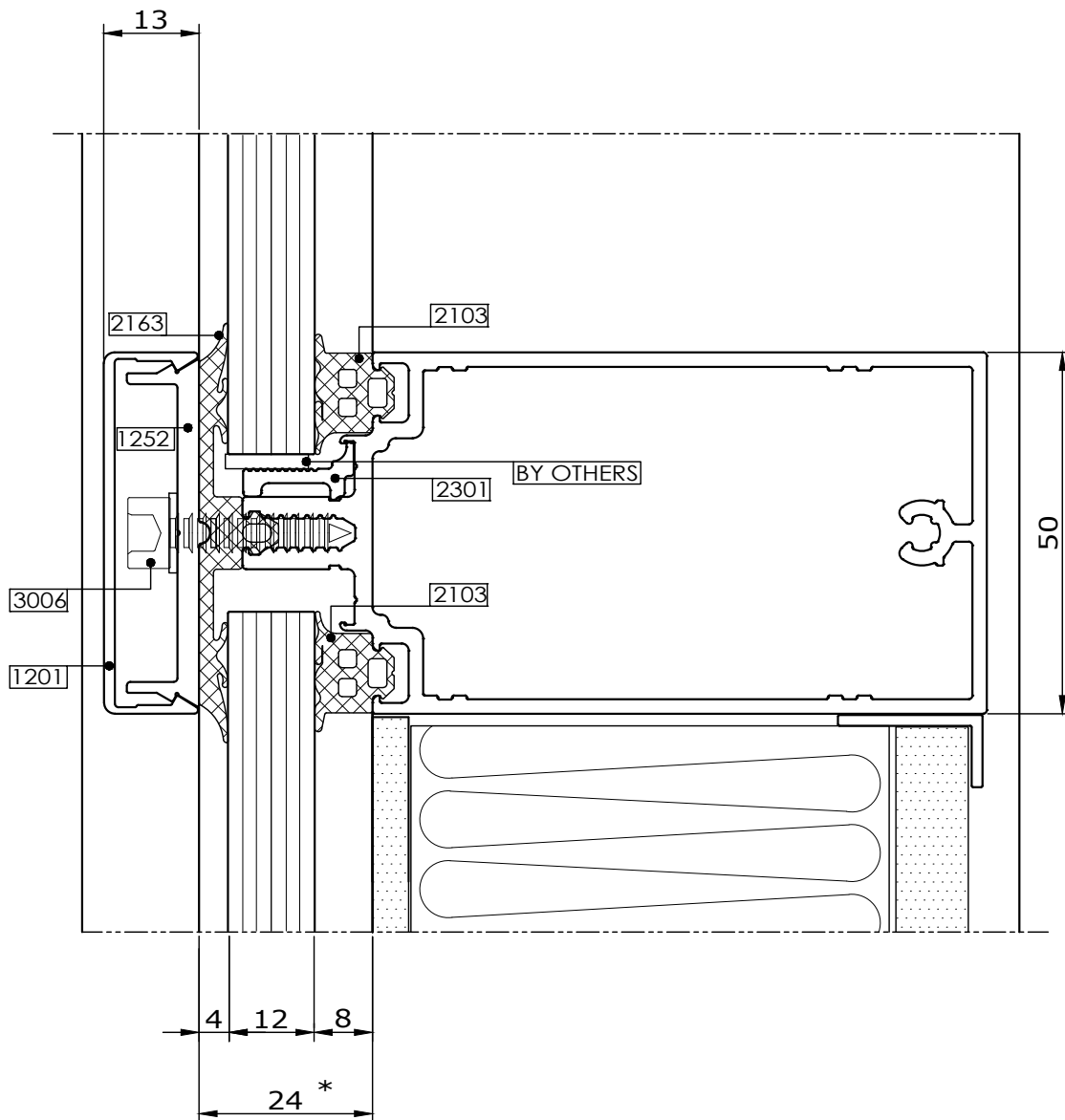
Transom detail Single glazed

2 Typical details

Comar 6EFT



2.08



Fabricators Guide

* Refer to Glazing Chart for glazing options

Changes reserved
Sous reserve de modifications
Änderungen vorbehalten

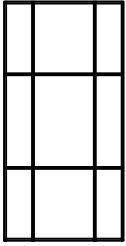
Issue: 05
Date : 10 -16

Typical details

2

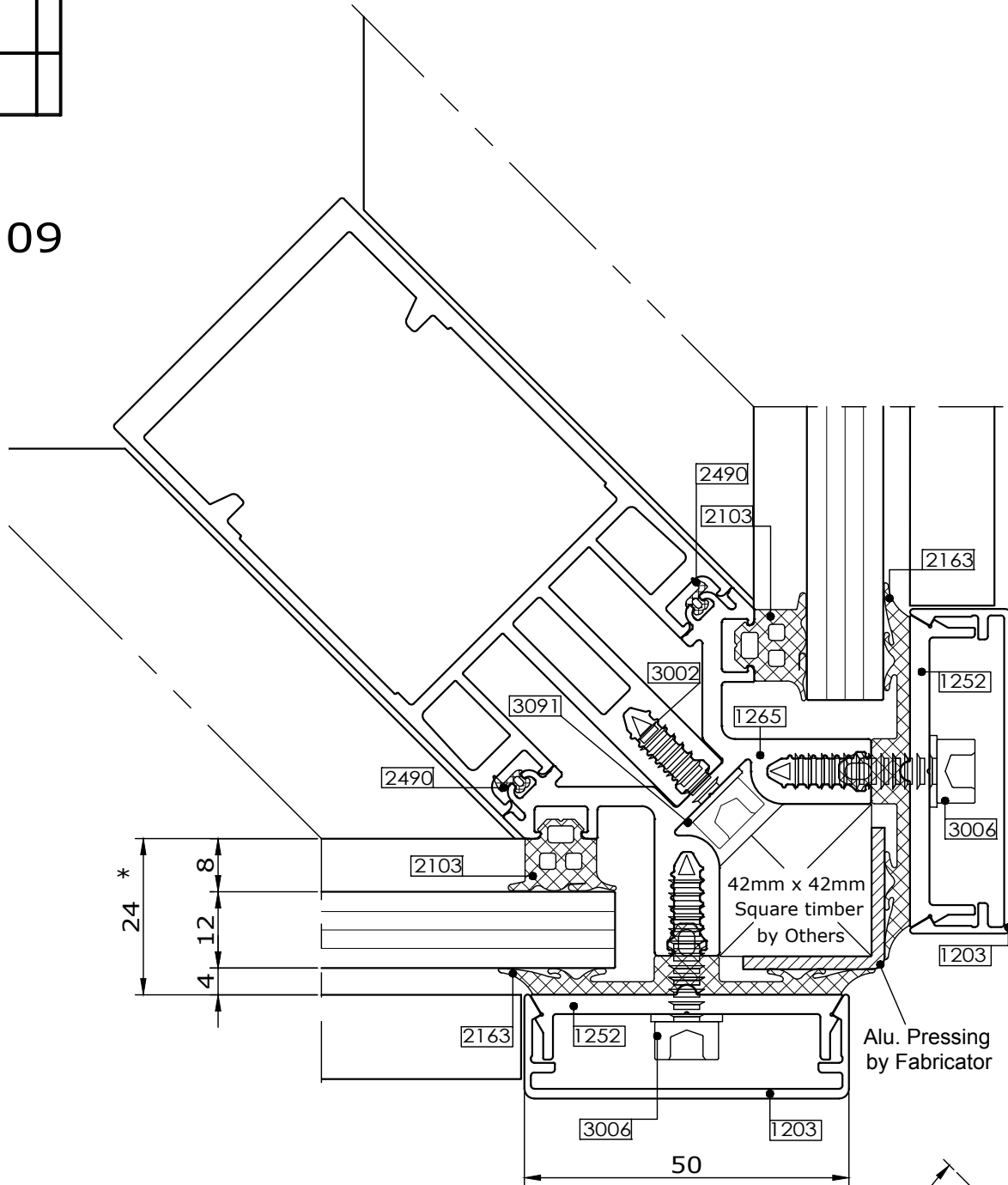
Comar 6EFT

45° Mullion corner detail
Single glazed



2.09

Fabricators Guide



* Refer to Glazing Chart for glazing options

45°



comar

ARCHITECTURAL ALUMINIUM SYSTEMS

Changes reserved
Sous reserve de modifications
Änderungen vorbehalten

Issue: 05
Date : 03 -17

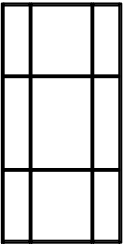
Copyright and ownership of this drawing is vested in EFT,
Euro Facade Systems Ltd, whose prior written consent is required
for its use, reproduction or for publication to any third party.
All other rights reserved. Subject to modifications.

2

Typical details

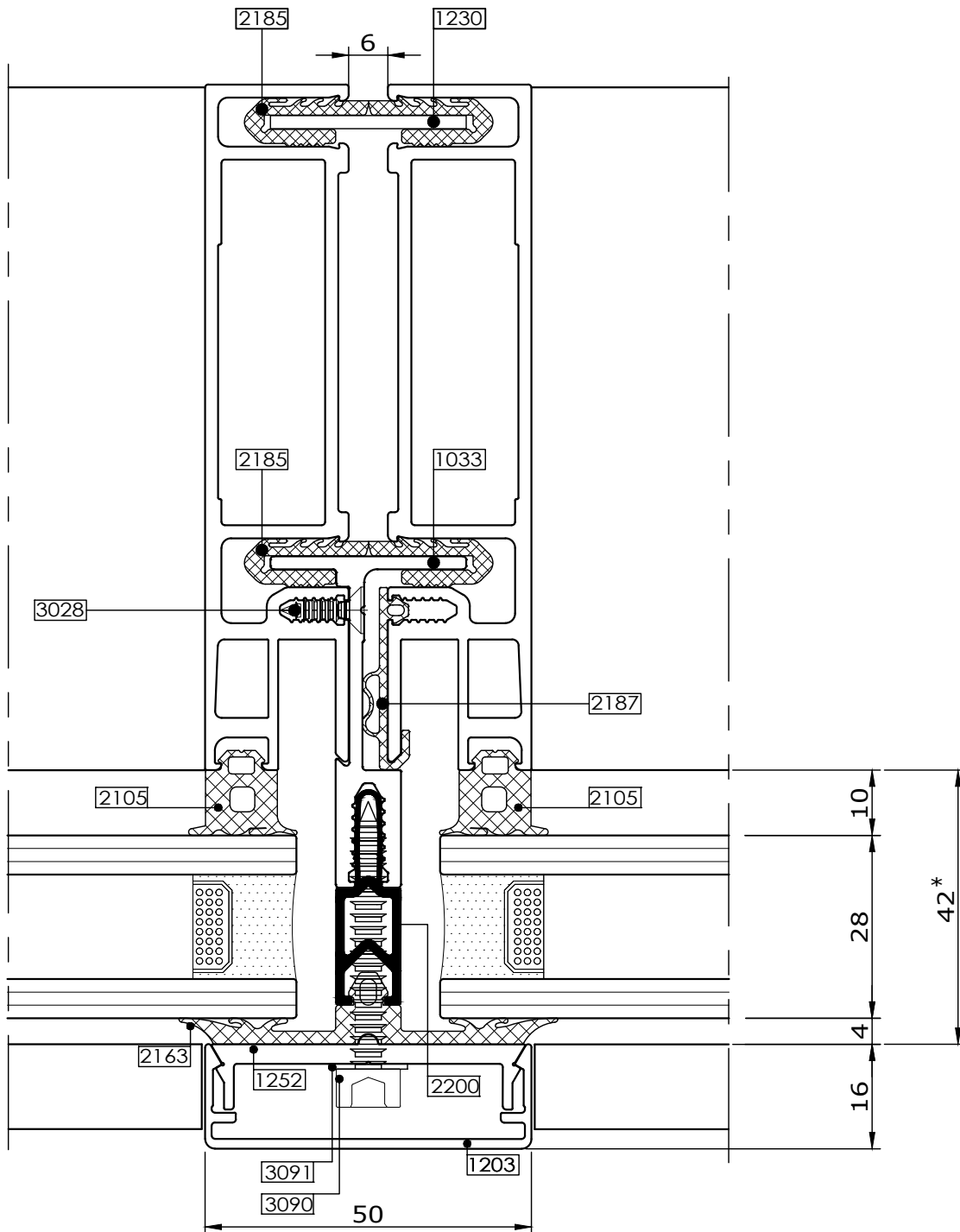
Split mullion detail

Comar 6EFT



2.10

Fabricators Guide



* Refer to Glazing Chart for glazing options

Copyright and ownership of this drawing is vested in EFT, Euro Facade Systems Ltd, whose prior written consent is required for its use, reproduction or for publication to any third party. All other rights reserved.

Changes reserved
 Sous reserve de modifications
 Änderungen vorbehalten

Issue: 05
 Date : 10 -16

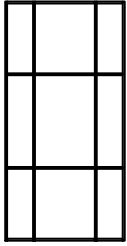


Typical details

2

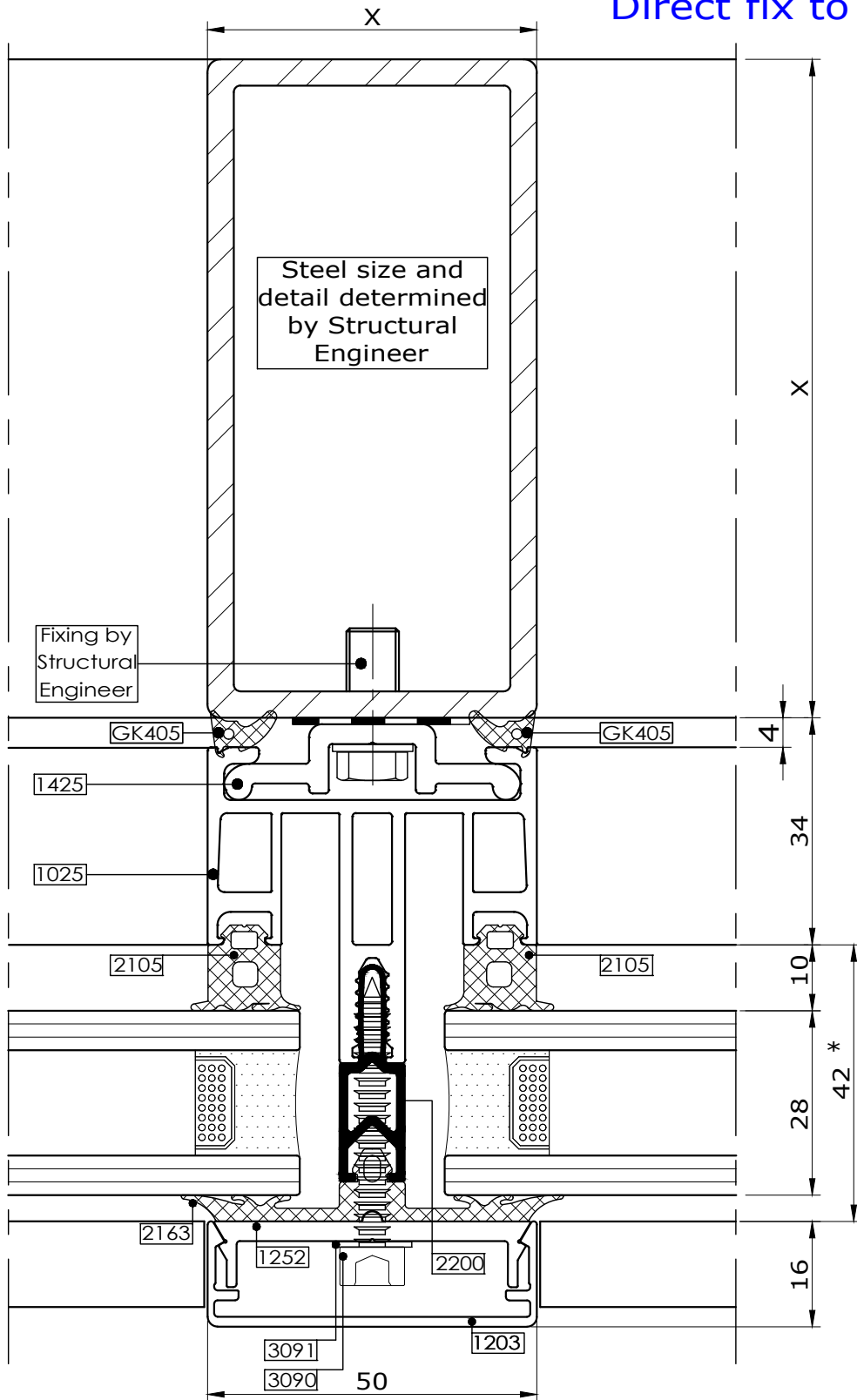
Comar 6EFT

Mullion detail
Direct fix to steel



2.11

Fabricators Guide



* Refer to Glazing Chart for glazing options

Changes reserved
Sous reserve de modifications
Änderungen vorbehalten

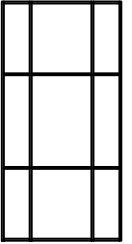


comar
ARCHITECTURAL ALUMINIUM SYSTEMS

Issue: 05
Date : 10 -16

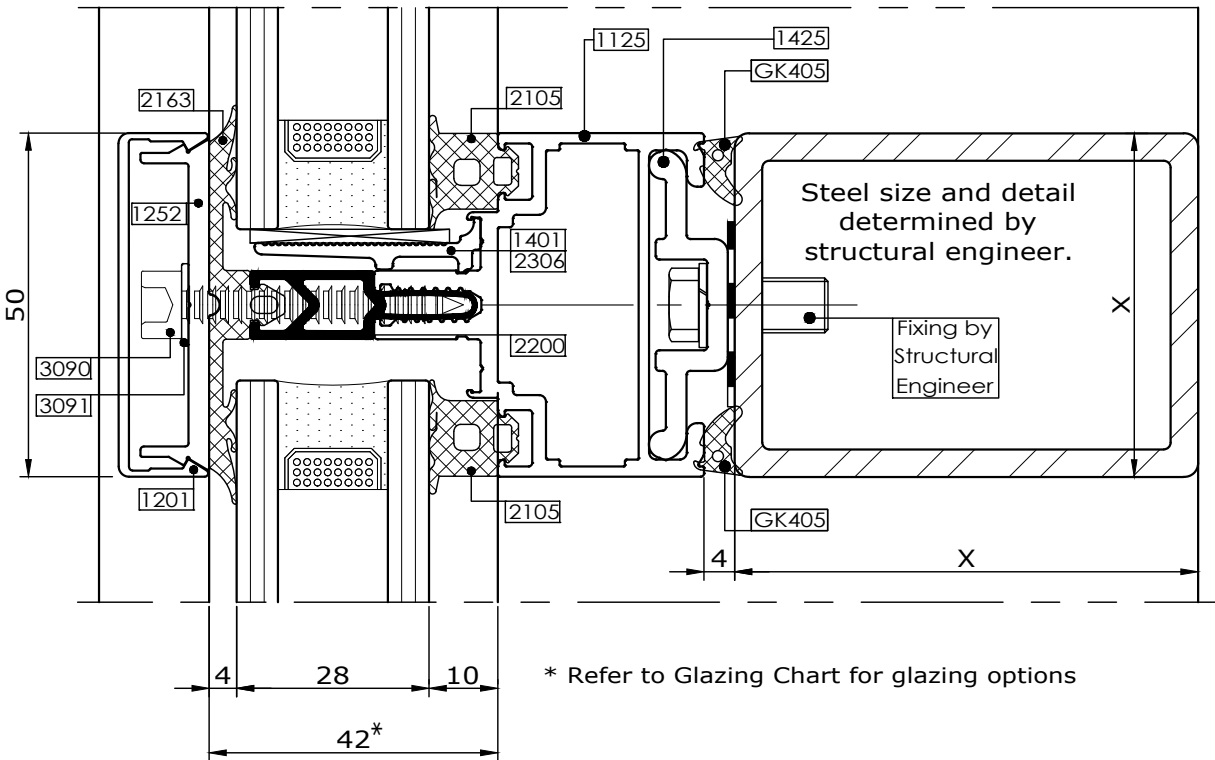
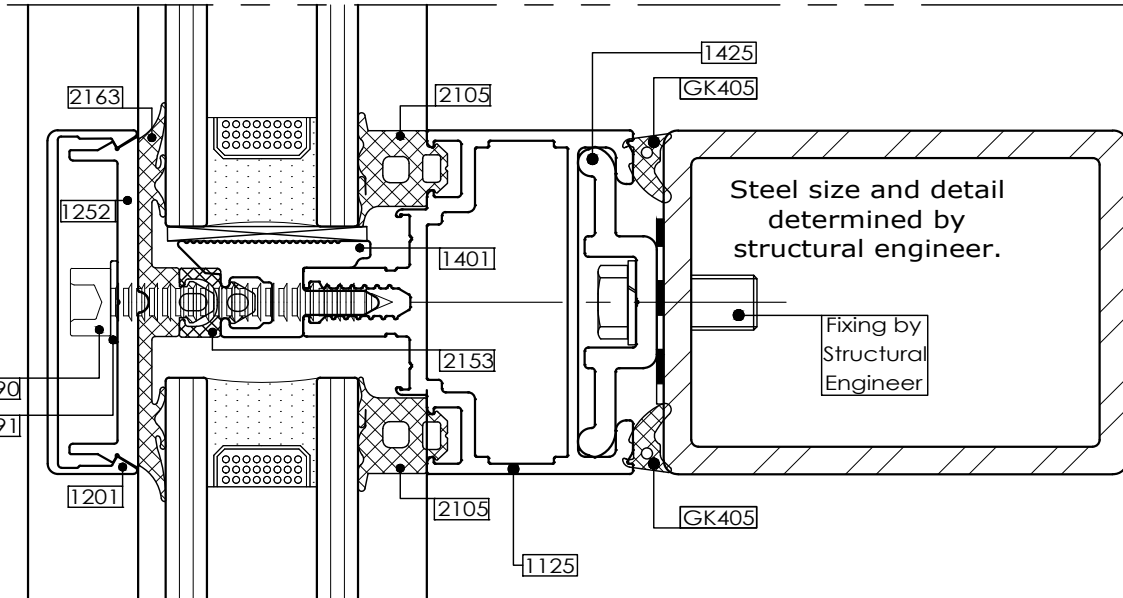
Copyright and ownership of this drawing is vested in EFT, Euro Facade Systems Ltd, whose prior written consent is required for its use, reproduction or for publication to any third party. All other rights reserved. Subject to modifications.

Transom detail
Direct fix to steel



2.12

Copyright and ownership of this drawing is vested in EFT, Euro Facade Systems Ltd, whose prior written consent is required for its use, reproduction or for publication to any third party. All other rights reserved. Subject to modifications.



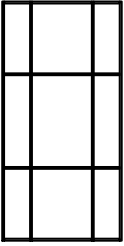
* Refer to Glazing Chart for glazing options

Changes reserved
Sous reserve de modifications
Änderungen vorbehalten

Issue: 05
Date : 02 -17

Comar 6EFT

Future addition



2.13

Fabricators Guide

FUTURE
ADDITION

Copyright and ownership of this drawing is vested in EFT,
Euro Facade Systems Ltd, whose prior written consent is required
for its use, reproduction or for publication to any third party.
All other rights reserved. Subject to modifications.

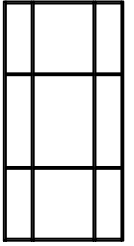
Copyright and ownership of this drawing is vested in EFT,
Euro Facade Systems Ltd, whose prior written consent is required
for its use, reproduction or for publication to any third party.
All other rights reserved. Subject to modifications.

Future addition

2

Typical details

Comar 6EFT



2.14

FUTURE
ADDITION

Fabricators Guide

Changes reserved
Sous reserve de modifications
Änderungen vorbehalten

Issue: 05
Date : 10 -16

Typical details

2

Comar 6EFT

Future addition

2.15

Fabricators Guide

FUTURE
ADDITION

Copyright and ownership of this drawing is vested in EFT,
Euro Facade Systems Ltd, whose prior written consent is required
for its use, reproduction or for publication to any third party.
All other rights reserved. Subject to modifications.



comar

ARCHITECTURAL ALUMINIUM SYSTEMS

Changes reserved
Sous reserve de modifications
Änderungen vorbehalten

Issue: 05
Date : 10 -16

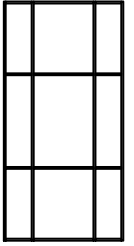
Copyright and ownership of this drawing is vested in EFT, Euro Facade Systems Ltd, whose prior written consent is required for its use, reproduction or for publication to any third party. All other rights reserved. Subject to modifications.

2

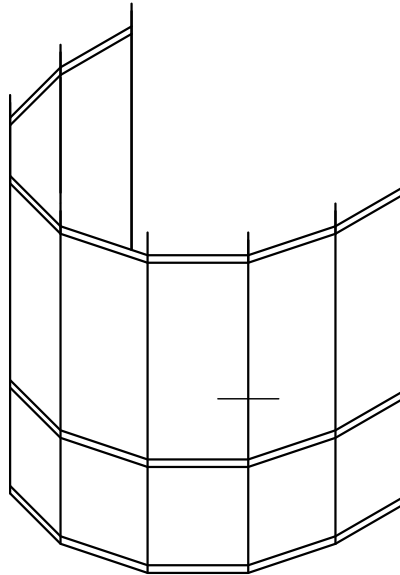
Typical details

Facetted Facades

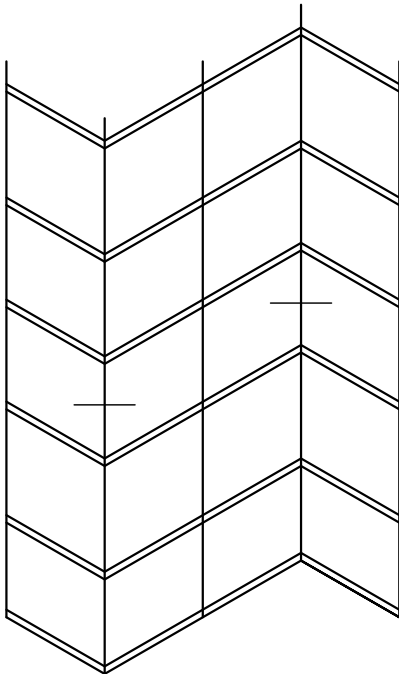
Comar 6EFT



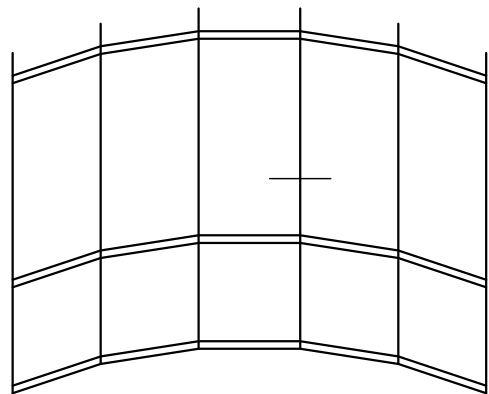
2.16



External corners



90° corners



Internal corners

Fabricators Guide

Changes reserved
Sous reserve de modifications
Änderungen vorbehalten

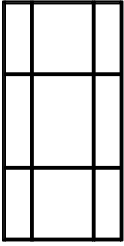
Issue: 05
Date : 10 -16

Typical details

2

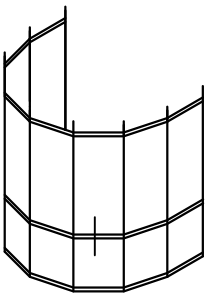
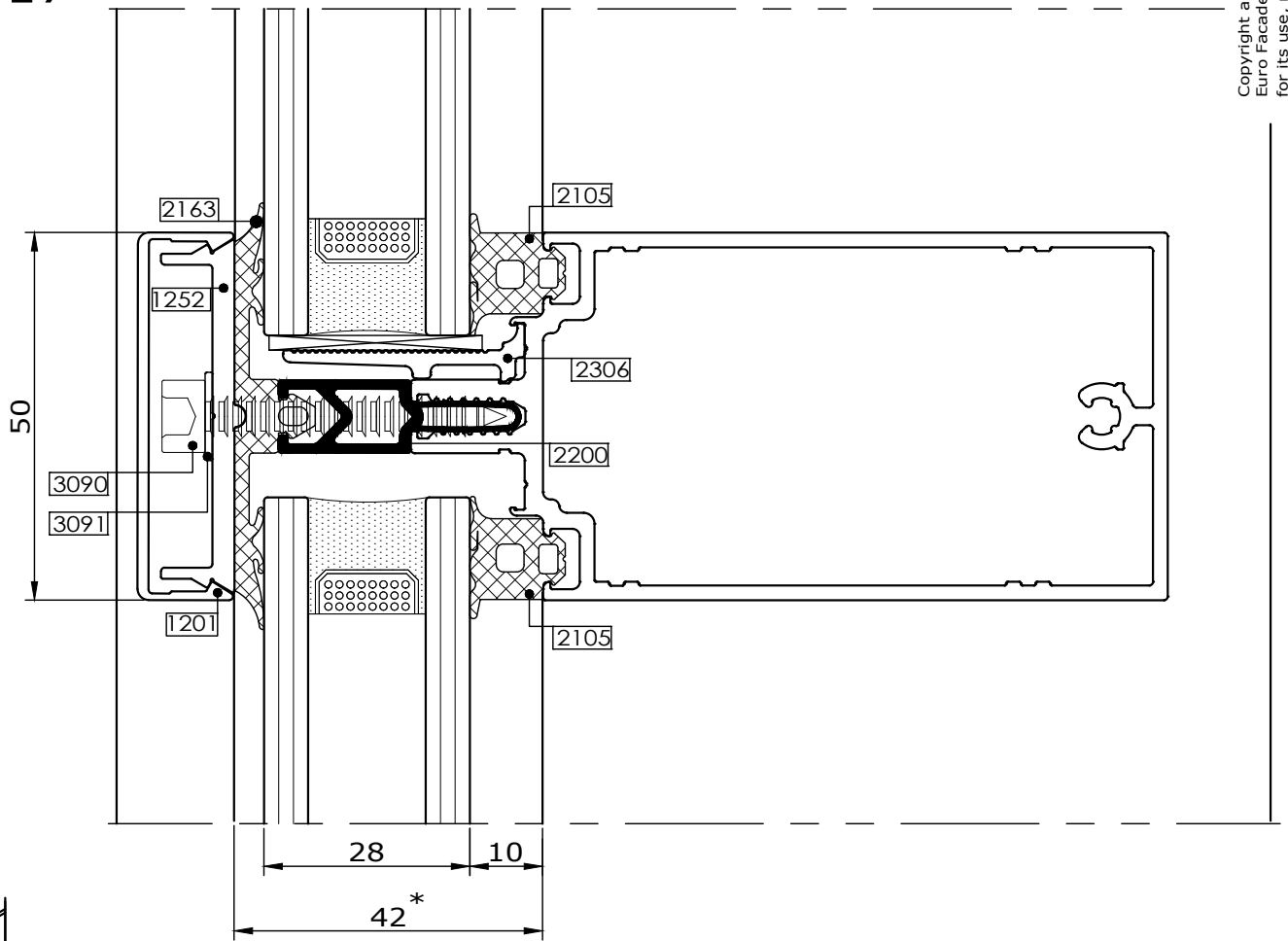
Comar 6EFT

Transom detail Facetted Facade



2.17

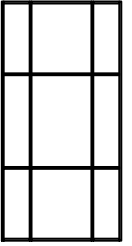
Fabricators Guide



* Refer to Glazing Chart for glazing options

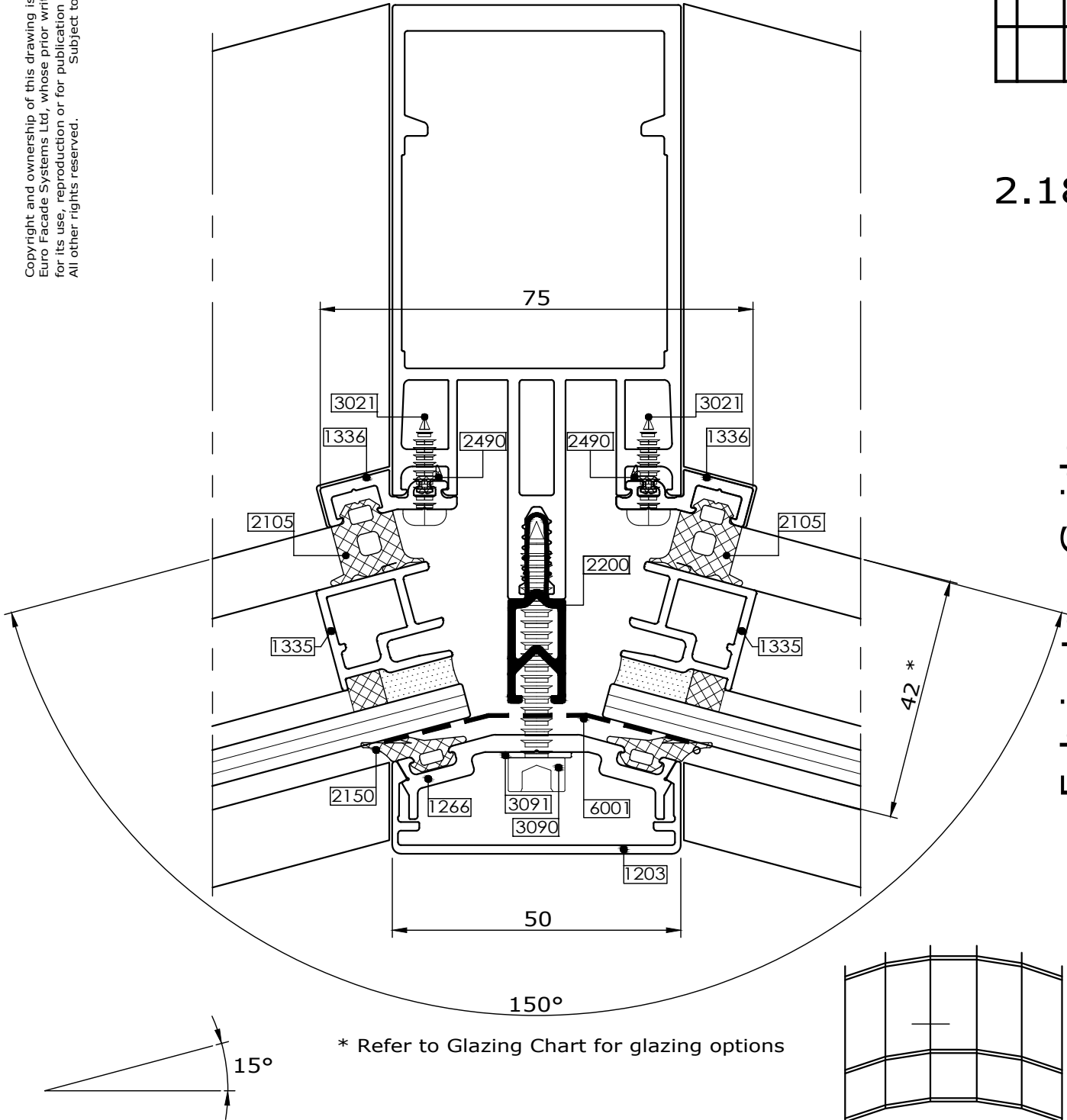
Copyright and ownership of this drawing is vested in EFT, Euro Facade Systems Ltd, whose prior written consent is required for its use, reproduction or for publication to any third party. All other rights reserved. Subject to modifications.

Mullion detail
Facetted facade - Single glazed
15° nominal

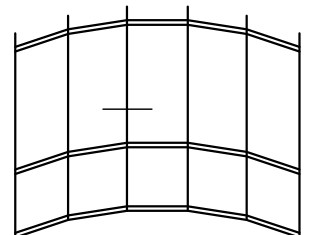


2.18

Copyright and ownership of this drawing is vested in EFT, Euro Facade Systems Ltd, whose prior written consent is required for its use, reproduction or for publication to any third party. All other rights reserved. Subject to modifications.



Fabricators Guide



Changes reserved
Sous reserve de modifications
Änderungen vorbehalten

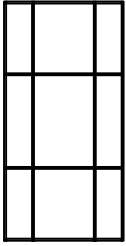
Issue: 05
Date : 03 -17

Typical details

2

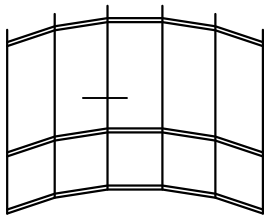
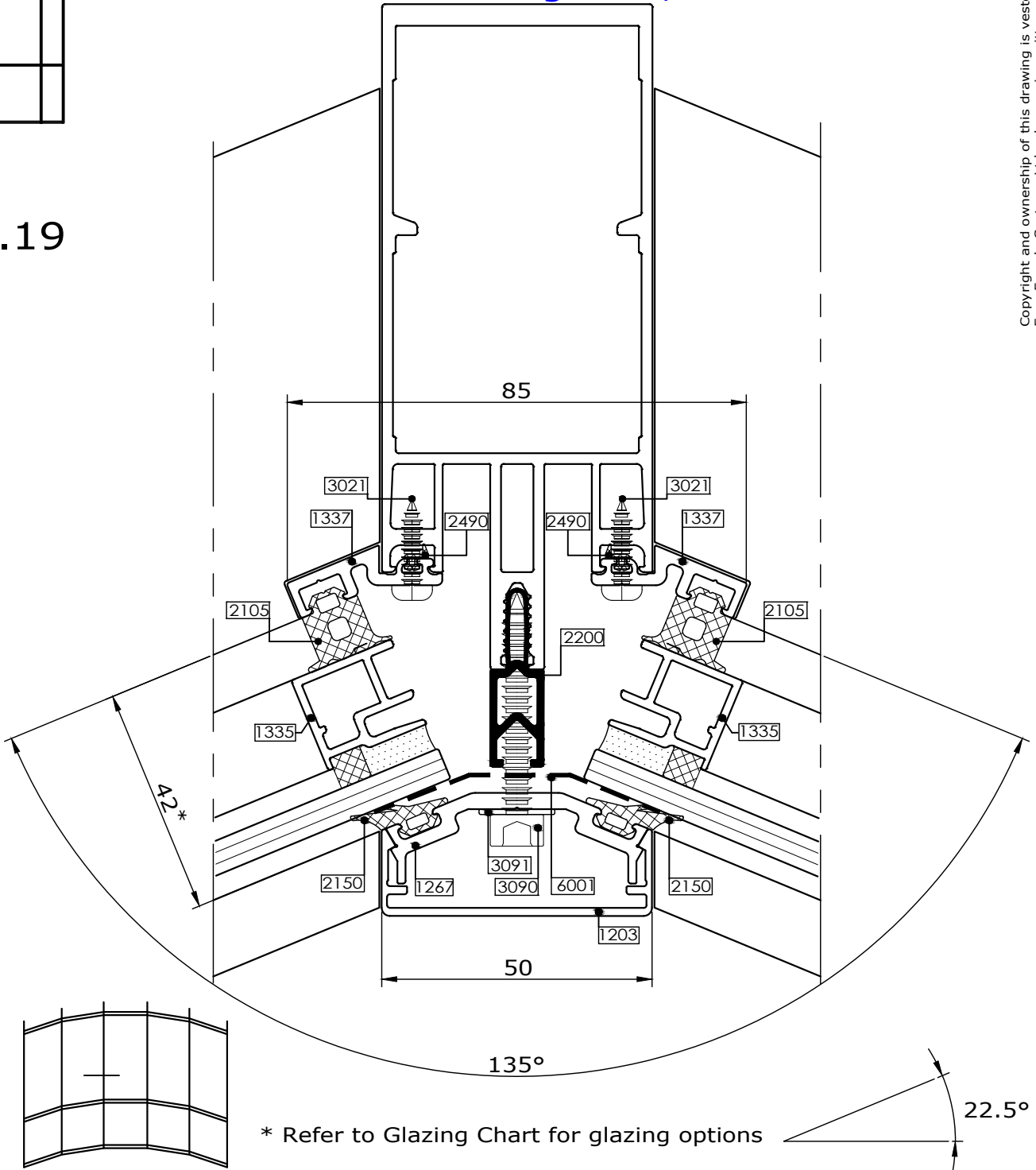
Comar 6EFT

Mullion detail
Facetted facade - Single glazed, 22.5° nominal



2.19

Fabricators Guide



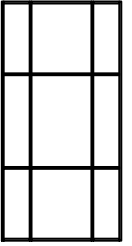
Copyright and ownership of this drawing is vested in EFT, Euro Facade Systems Ltd, whose prior written consent is required for its use, reproduction or for publication to any third party. All other rights reserved. Subject to modifications.

2

Typical details

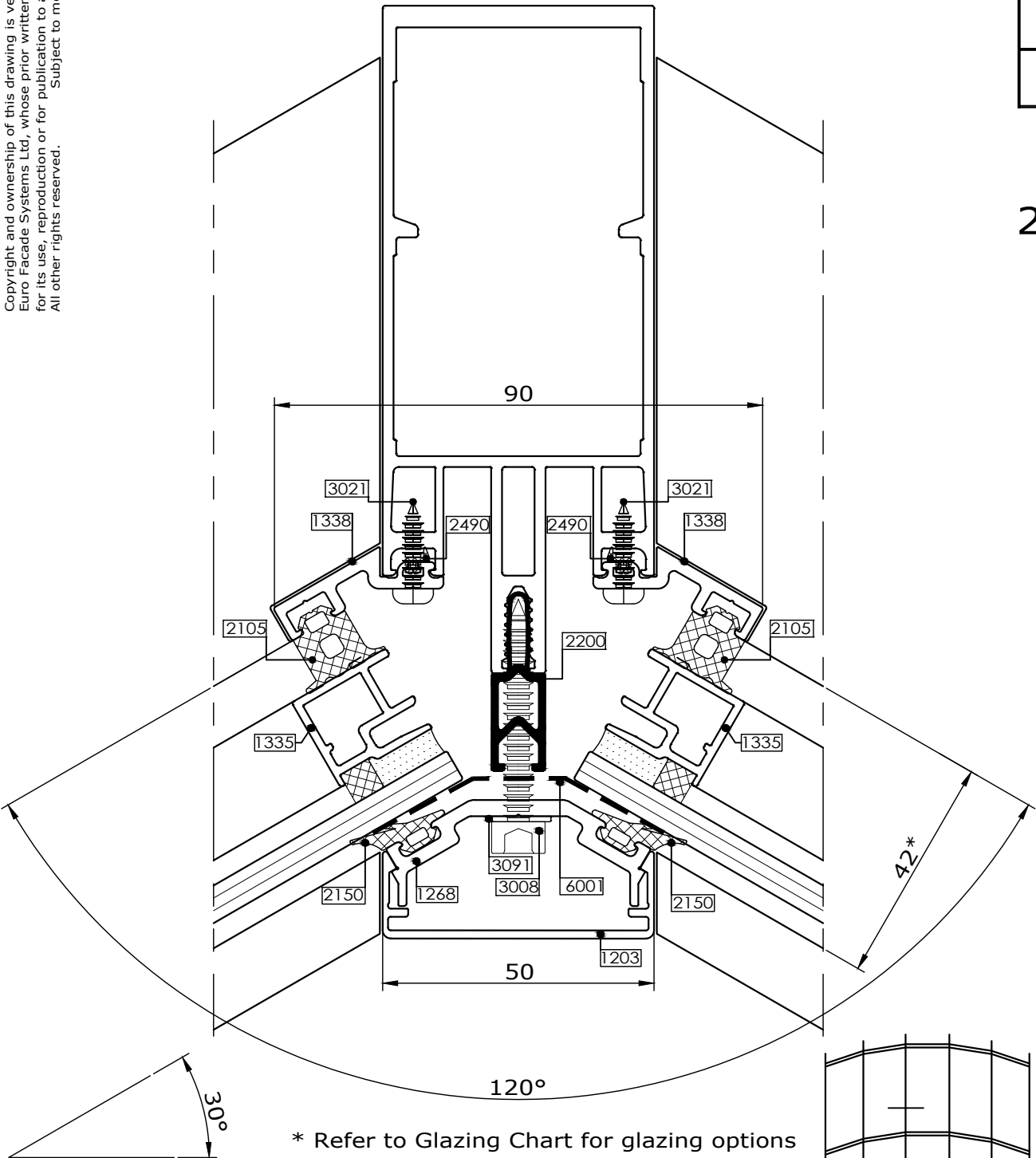
Comar 6EFT

Mullion detail
Facetted facade - Single glazed
30°nominal

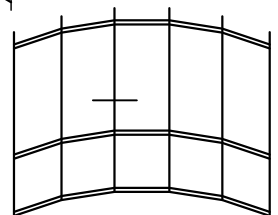


2.20

Copyright and ownership of this drawing is vested in EFT, Euro Facade Systems Ltd, whose prior written consent is required for its use, reproduction or for publication to any third party. All other rights reserved. Subject to modifications.



Fabricators Guide



Changes reserved
Sous reserve de modifications
Änderungen vorbehalten

Issue: 05
Date : 10 -16

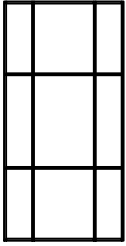


Typical details

2

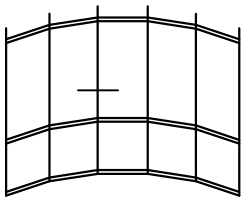
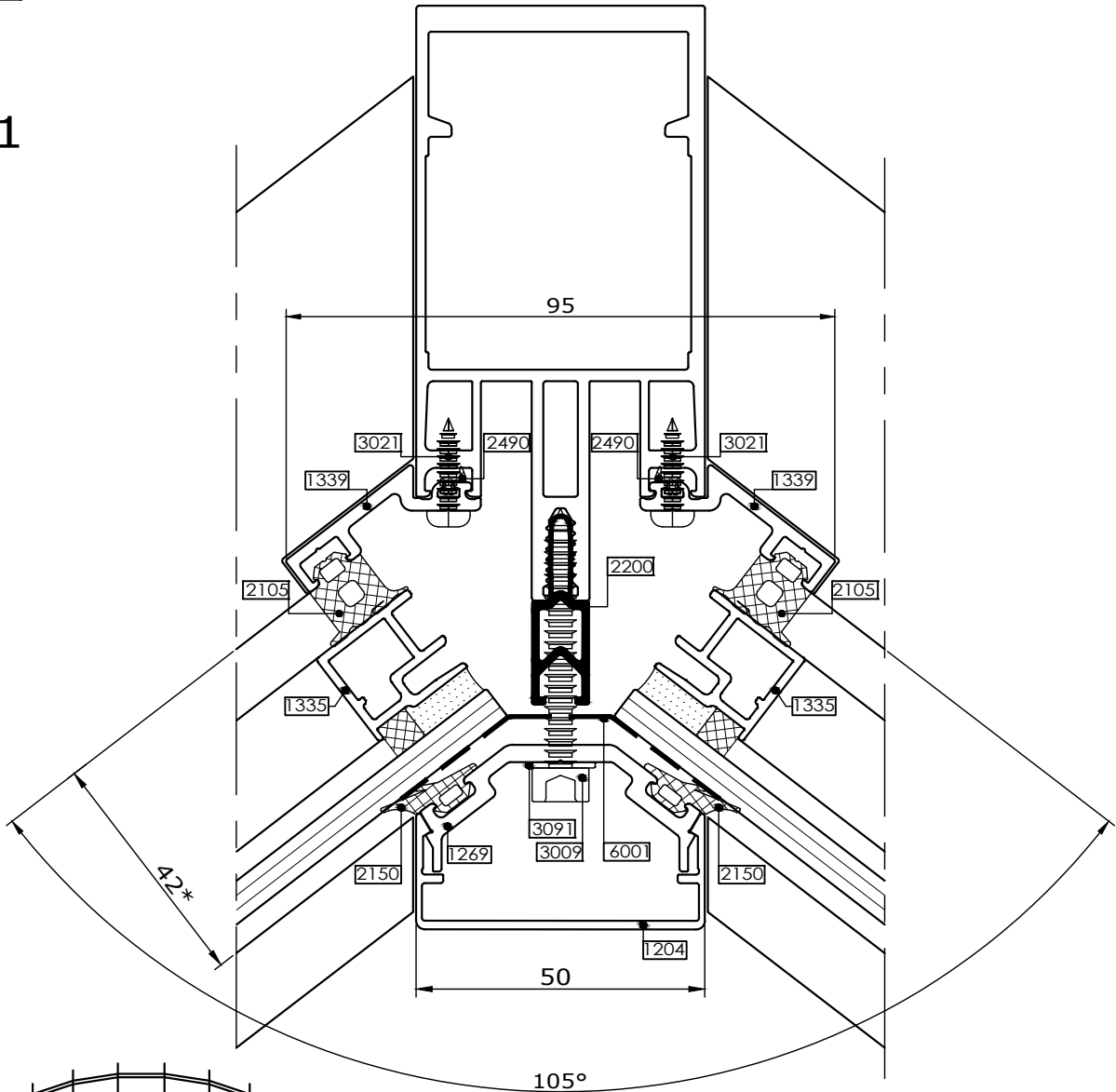
Comar 6EFT

Mullion detail
Facetted facade - Single glazed, 37.5° nominal

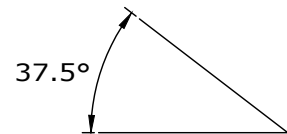


2.21

Fabricators Guide



* Refer to Glazing Chart for glazing options



Copyright and ownership of this drawing is vested in EFT, Euro Facade Systems Ltd, whose prior written consent is required for its use, reproduction or for publication to any third party. All other rights reserved. Subject to modifications.



comar
ARCHITECTURAL ALUMINIUM SYSTEMS

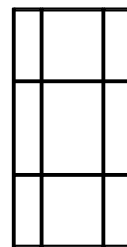
Changes reserved
Sous réserve de modifications
Änderungen vorbehalten

Issue: 05
Date : 03 -17

2

Typical details

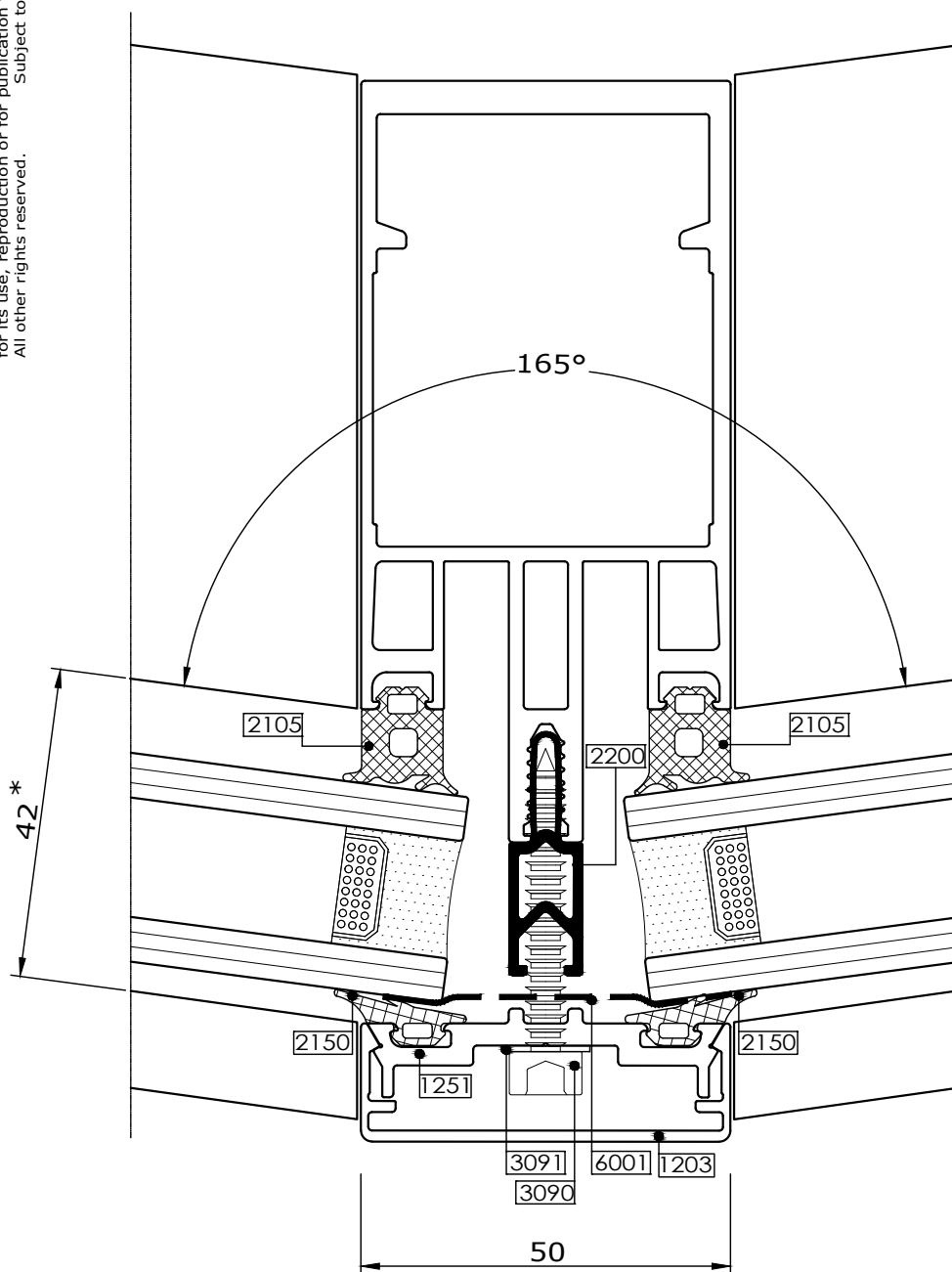
Comar 6EFT



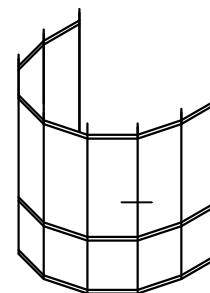
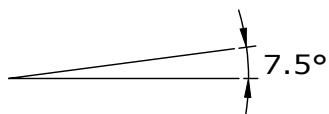
2.22

Fabricators Guide

Mullion detail
Facetted facade
7.5° nominal



* Refer to Glazing Chart for glazing options



Copyright and ownership of this drawing is vested in EFT, Euro Facade Systems Ltd, whose prior written consent is required for its use, reproduction or for publication to any third party. All other rights reserved.

Changes reserved
Sous reserve de modifications
Änderungen vorbehalten

Issue: 05
Date : 03 -17

Typical detail

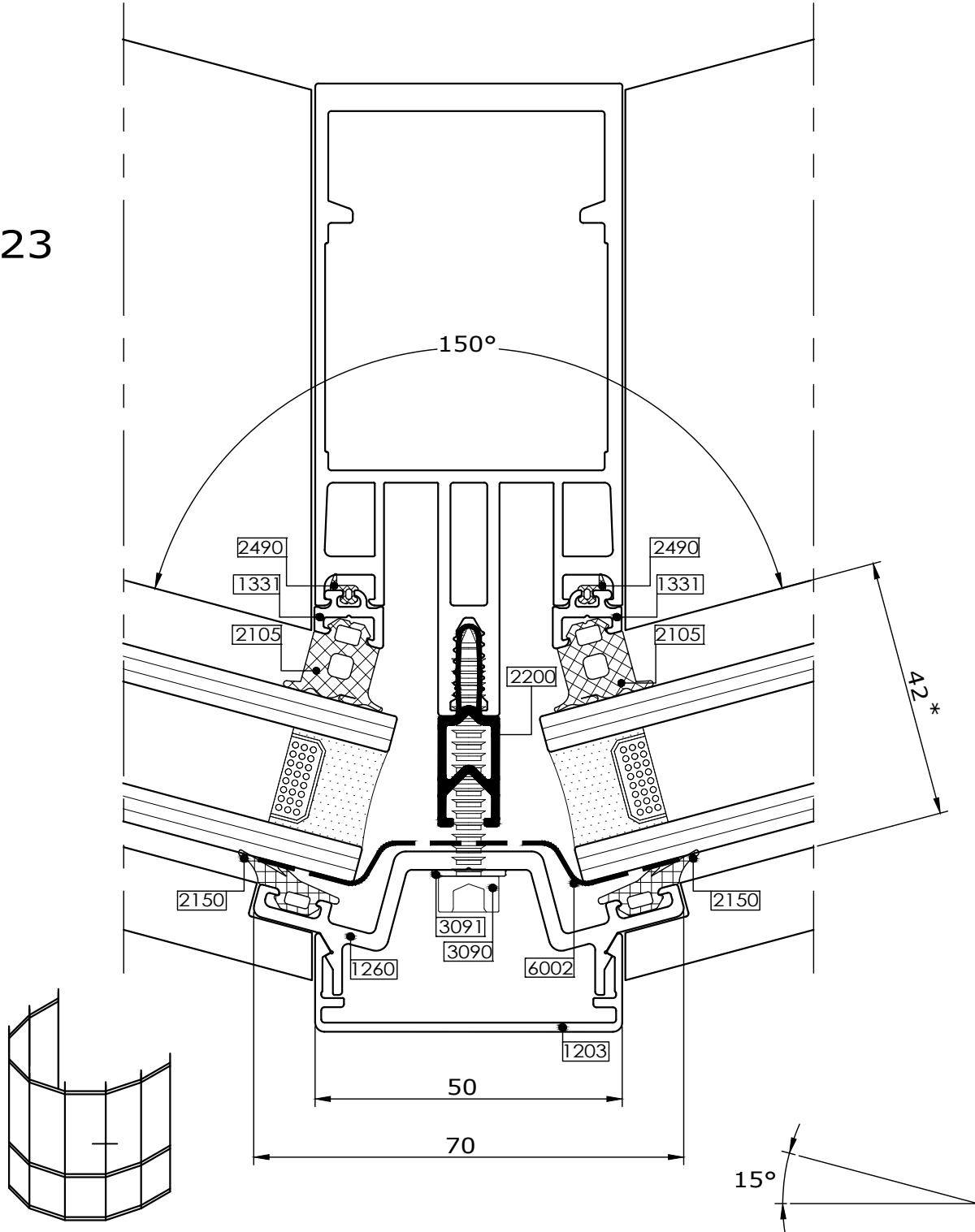
2

Comar 6EFT

Mullion detail
Facetted facade
15° nominal

2.23

Fabricators Guide



* Refer to Glazing Chart for glazing options

Copyright and ownership of this drawing is vested in EFT, Euro Facade Systems Ltd, whose prior written consent is required for its use, reproduction or for publication to any third party. All other rights reserved. Subject to modifications.



comar
ARCHITECTURAL ALUMINIUM SYSTEMS

Changes reserved
Sous reserve de modifications
Änderungen vorbehalten

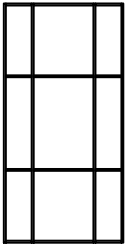
Issue: 05
Date : 03 -17

2

Typical detail

Comar 6EFT

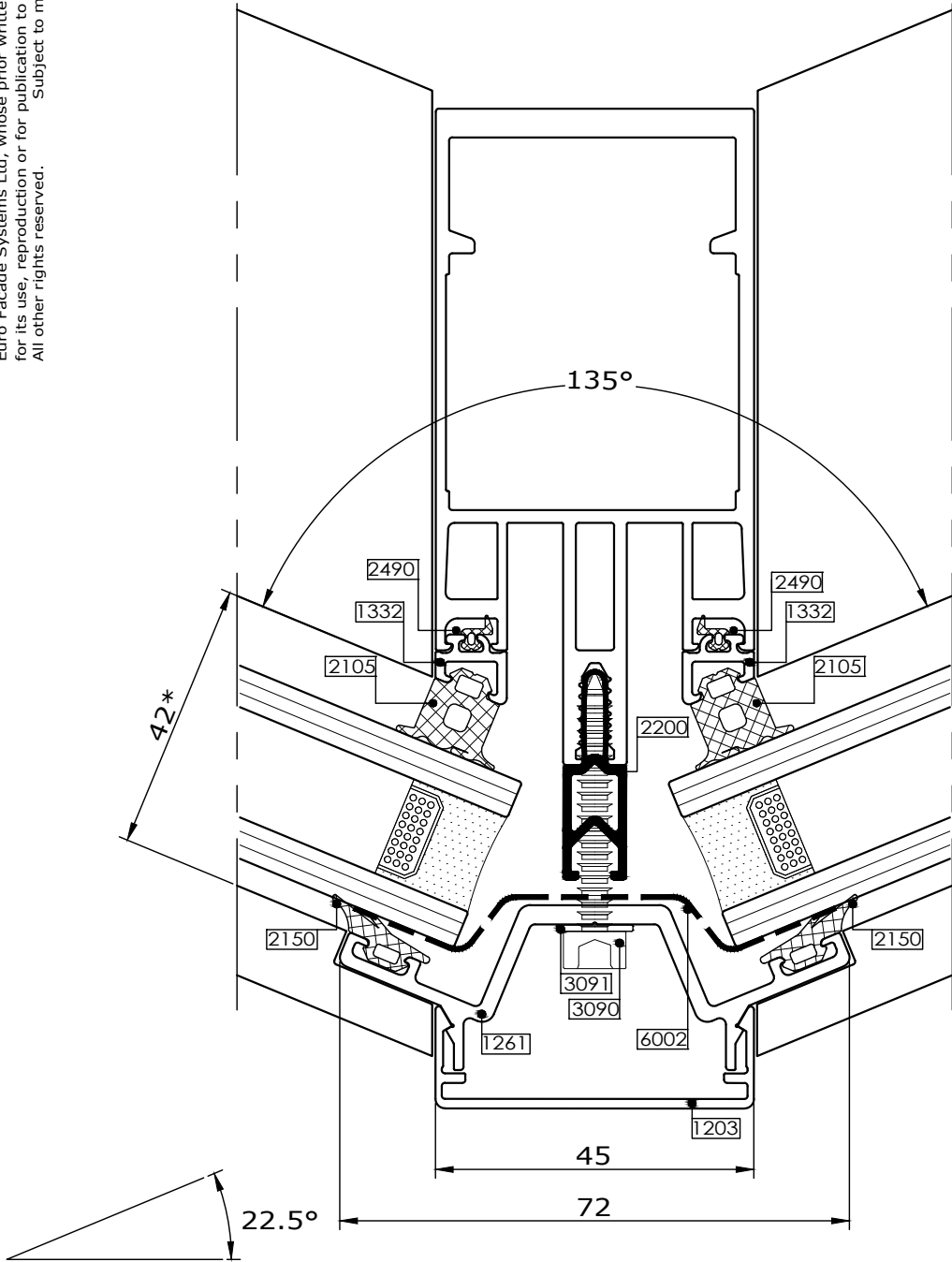
Mullion detail
Facetted facade
22.5° nominal



2.24

Fabricators Guide

Copyright and ownership of this drawing is vested in EFT, Euro Facade Systems Ltd, whose prior written consent is required for its use, reproduction or for publication to any third party. All other rights reserved. Subject to modifications.



* Refer to Glazing Chart for glazing options

Changes reserved
Sous reserve de modifications
Änderungen vorbehalten

Issue: 05
Date : 03 -17

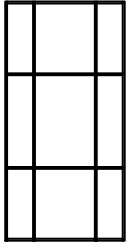


Typical detail

2

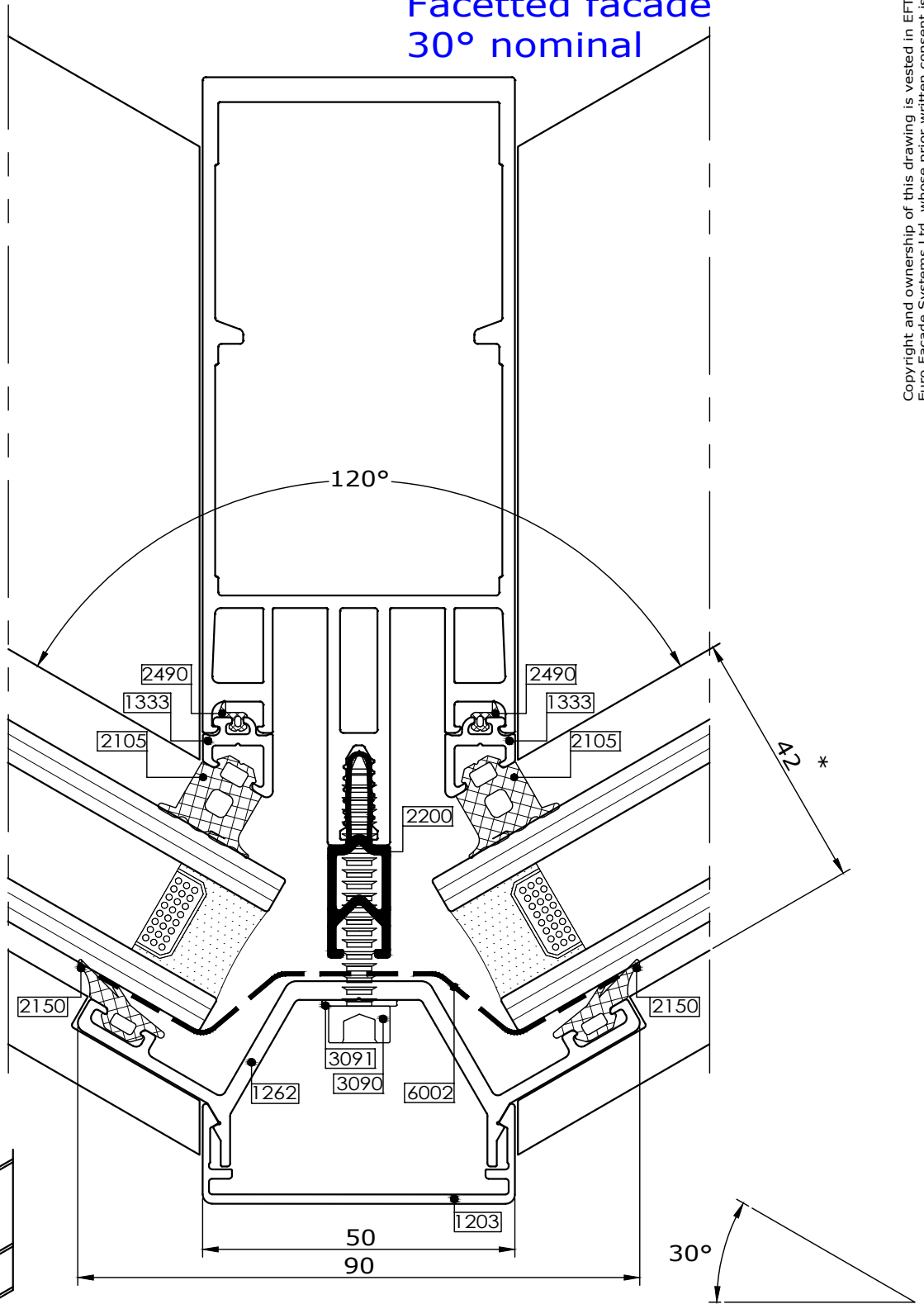
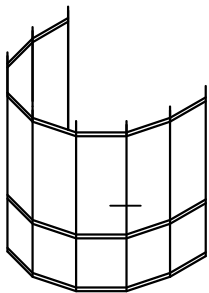
Comar 6EFT

Mullion detail
Facetted facade
30° nominal



2.25

Fabricators Guide



* Refer to Glazing Chart for glazing options

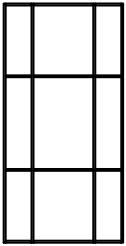
Changes reserved
Sous reserve de modifications
Änderungen vorbehalten

2

Typical detail

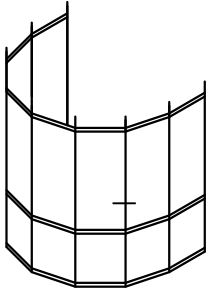
Comar 6EFT

Mullion detail
Facetted facade
37.5° nominal

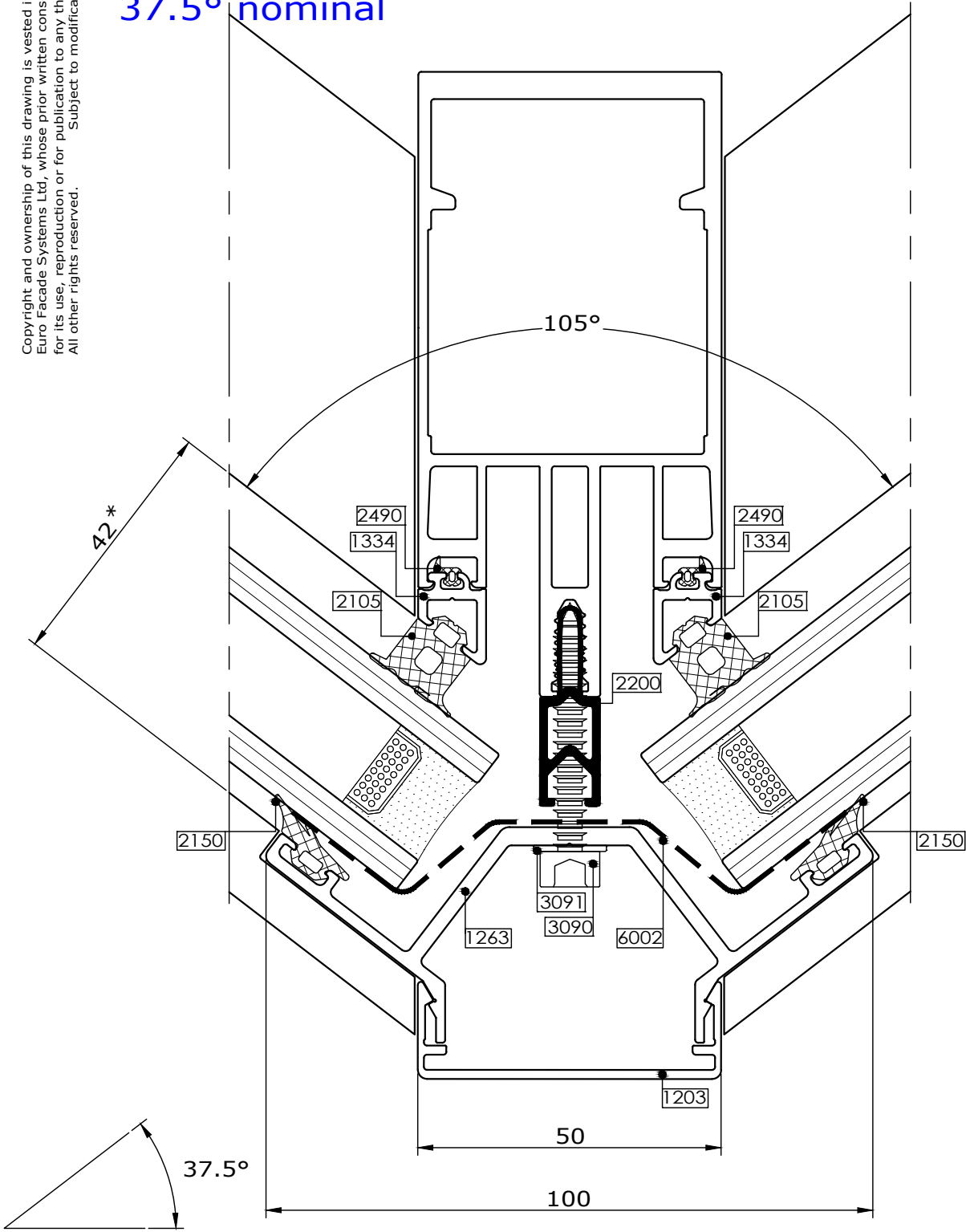


2.26

Fabricators Guide



Copyright and ownership of this drawing is vested in EFT, Euro Facade Systems Ltd, whose prior written consent is required for its use, reproduction or for publication to any third party. All other rights reserved.



* Refer to Glazing Chart for glazing options

Changes reserved
Sous reserve de modifications
Änderungen vorbehalten

Issue: 05
Date : 03 -17

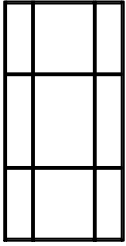


Typical detail

2

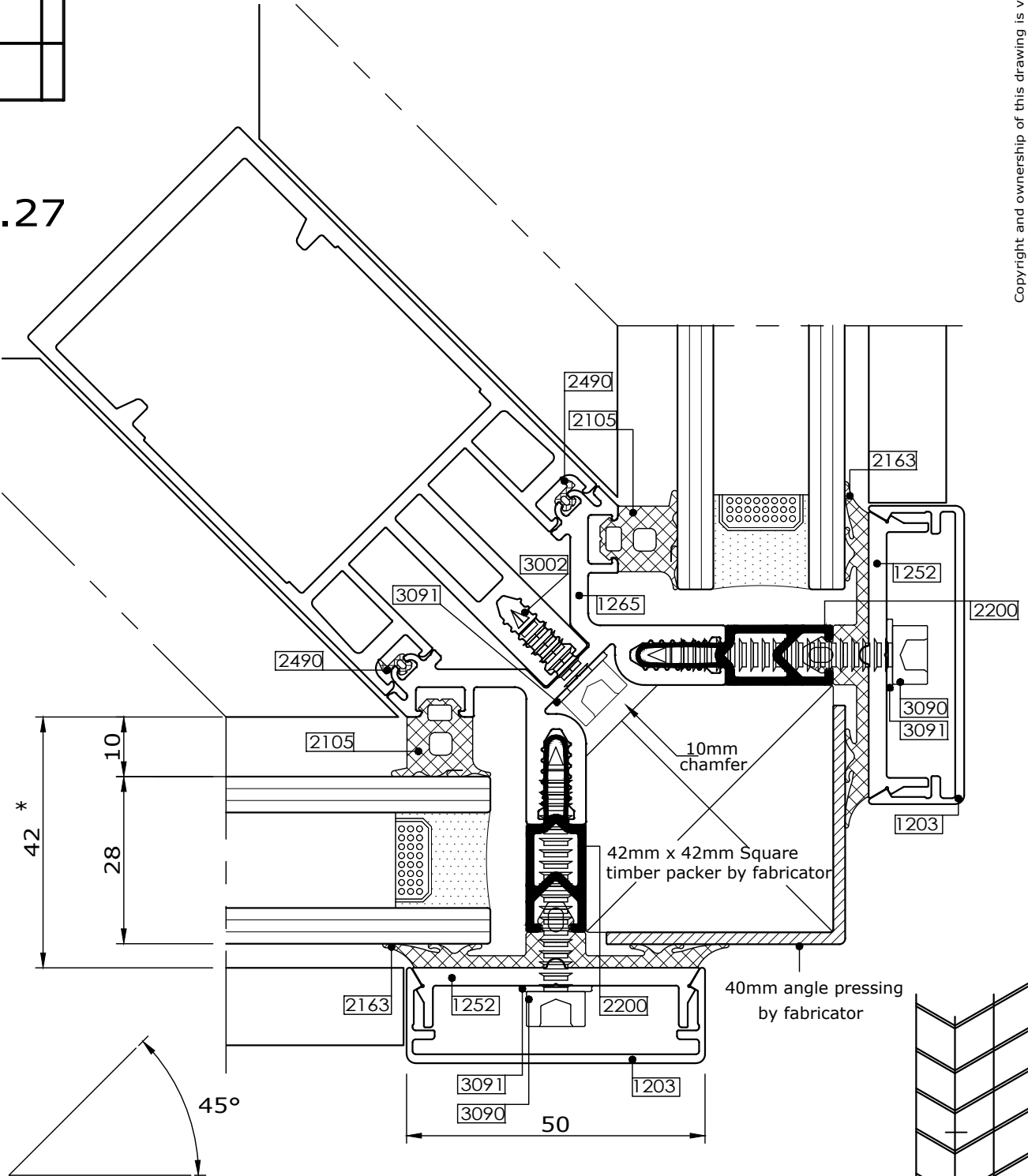
Comar 6EFT

Mullion Detail
Facetted facade
45° corner

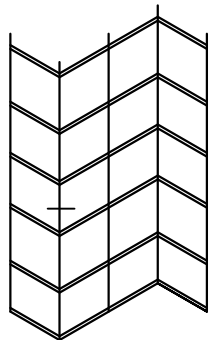


2.27

Fabricators Guide



* Refer to Glazing Chart for glazing options



Changes reserved
Sous reserve de modifications
Änderungen vorbehalten

Issue: 05
Date : 03 -17

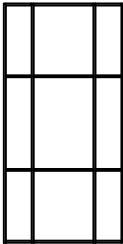
Copyright and ownership of this drawing is vested in EFT, Euro Facade Systems Ltd, whose prior written consent is required for its use, reproduction or for publication to any third party. All other rights reserved. Subject to modifications.

2

Typical detail

Comar 6EFT

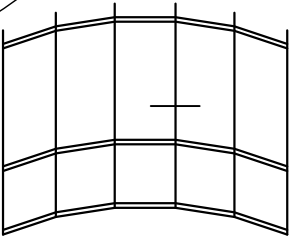
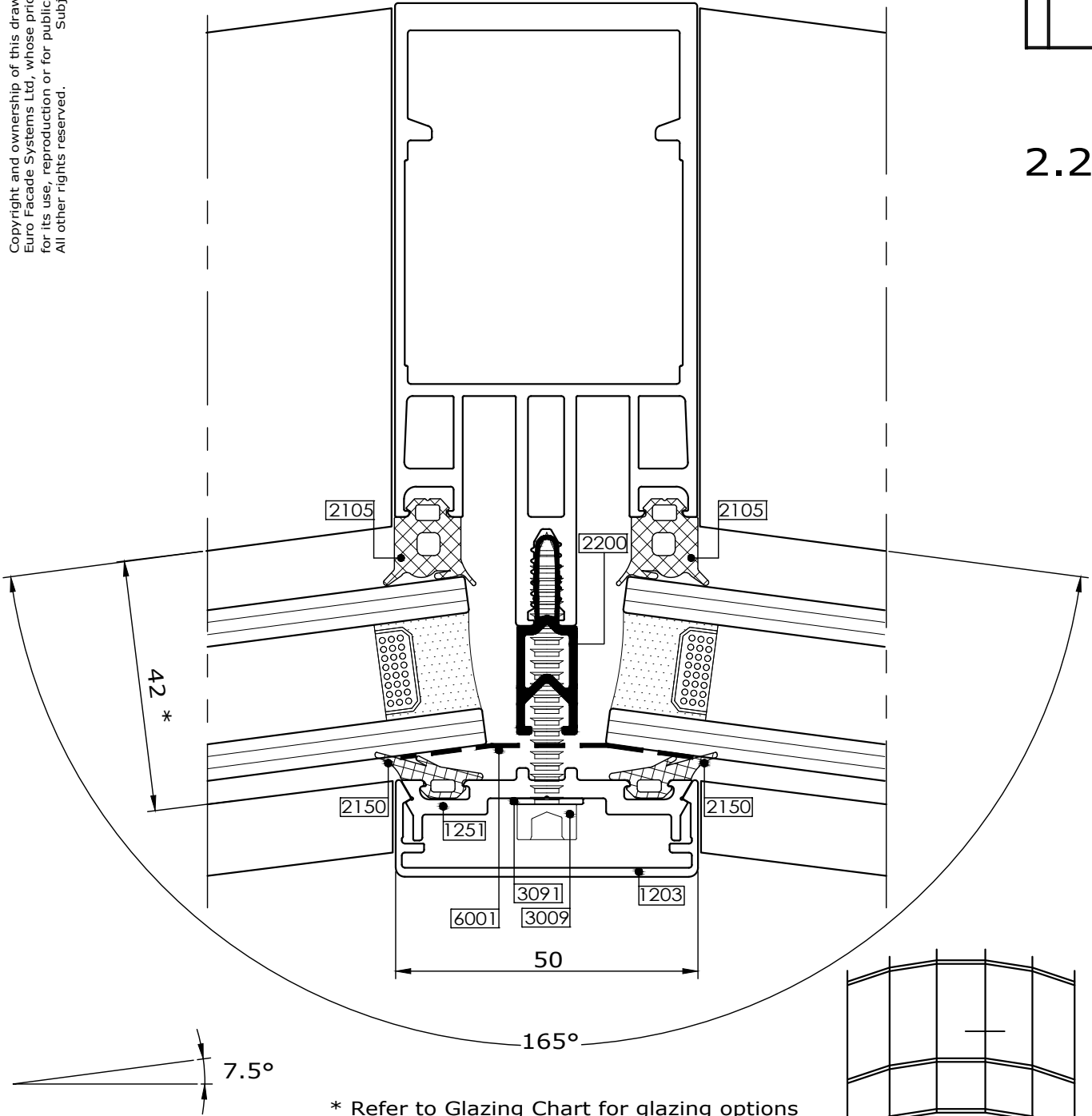
Mullion detail
Facetted facade
7.5° maximum



2.28

Fabricators Guide

Copyright and ownership of this drawing is vested in EFT, Euro Facade Systems Ltd, whose prior written consent is required for its use, reproduction or for publication to any third party. All other rights reserved.



Changes reserved
Sous reserve de modifications
Änderungen vorbehalten

Issue: 05
Date : 03 -17

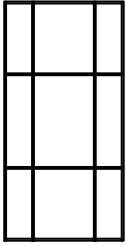


Typical detail

2

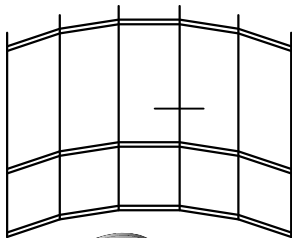
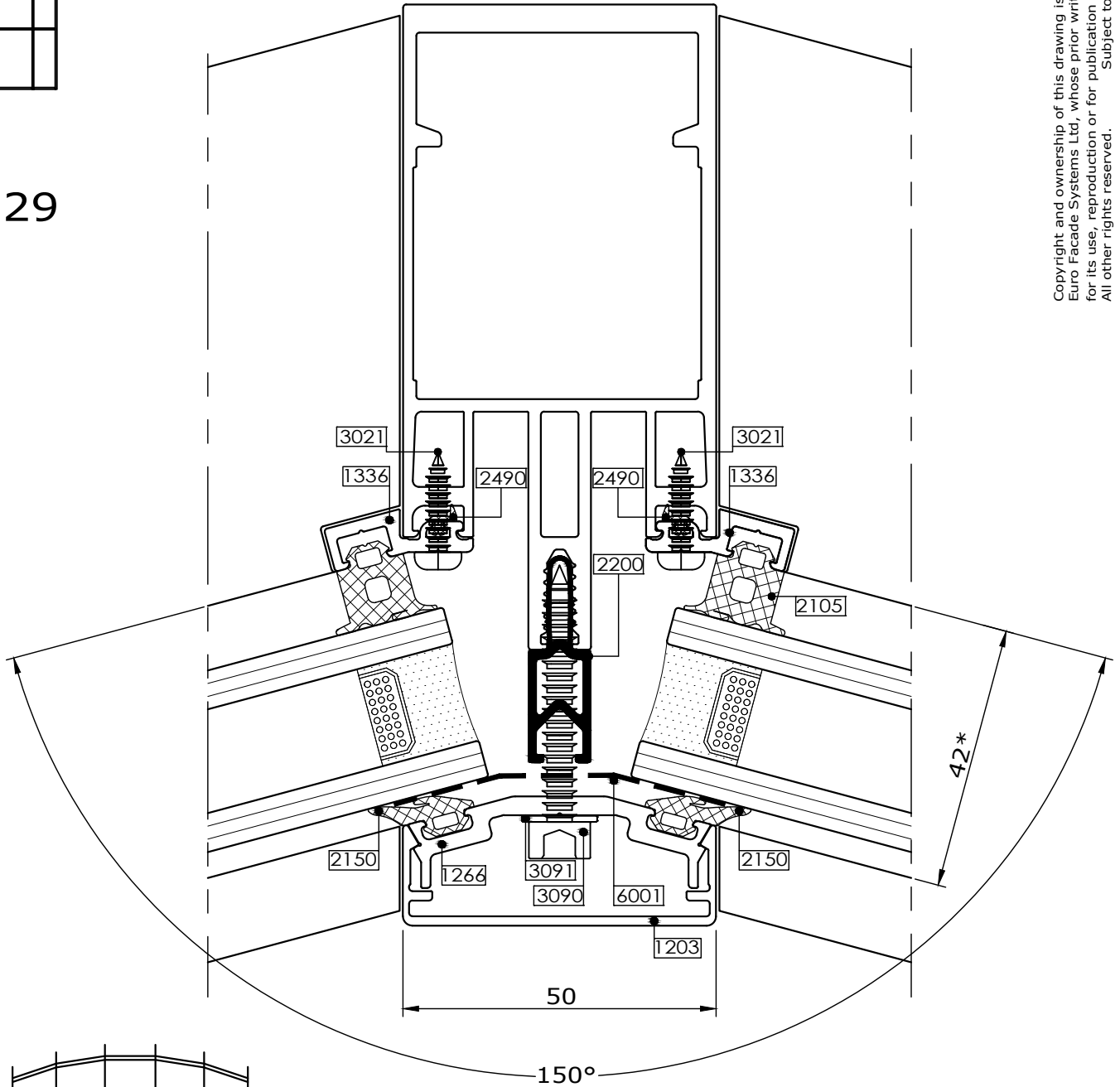
Comar 6EFT

Mullion detail
Facetted facade
15° nominal

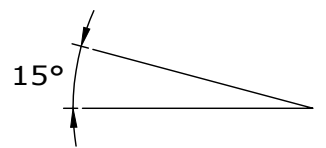


2.29

Fabricators Guide



* Refer to Glazing Chart for glazing options



Changes reserved
Sous reserve de modifications
Änderungen vorbehalten

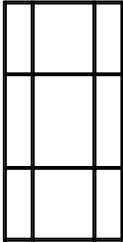
Issue: 05
Date : 03 -17

Copyright and ownership of this drawing is vested in EFT,
Euro Facade Systems Ltd, whose prior written consent is required
for its use, reproduction or for publication to any third party.
All other rights reserved. Subject to modifications.

2

Typical detail

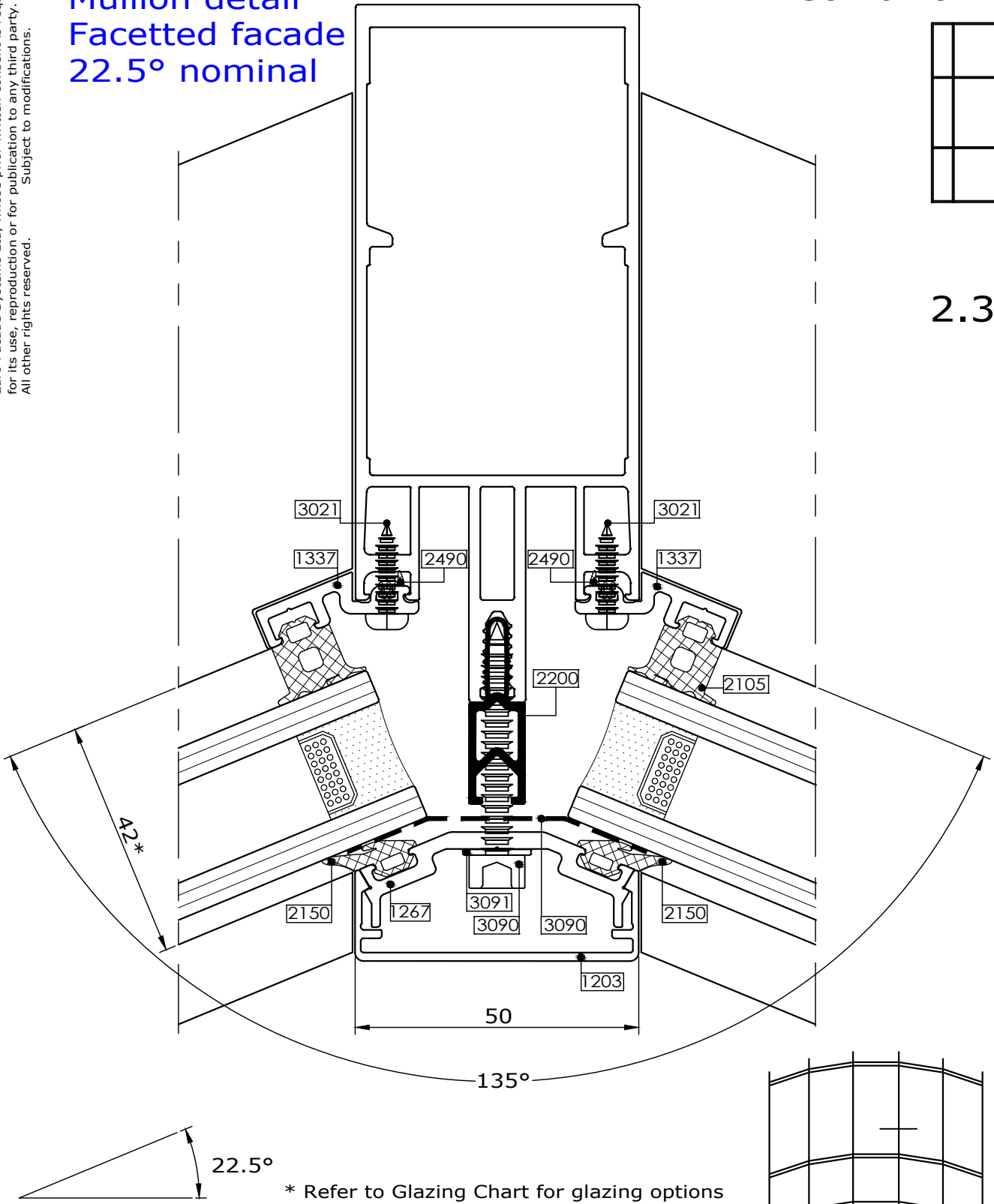
Comar 6EFT



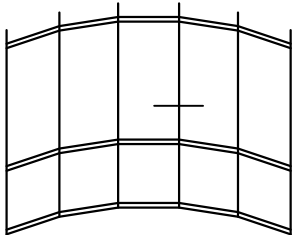
2.30

Mullion detail
Facetted facade
22.5° nominal

Copyright and ownership of this drawing is vested in EFT, Euro Facade Systems Ltd, whose prior written consent is required for its use, reproduction or for publication to any third party. All other rights reserved. Subject to modifications.



Fabricators Guide



Changes reserved
Sous reserve de modifications
Änderungen vorbehalten

Issue: 05
Date : 10 -16

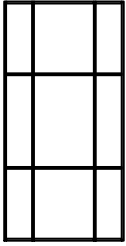


Typical detail

2

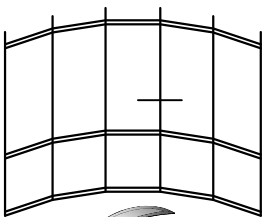
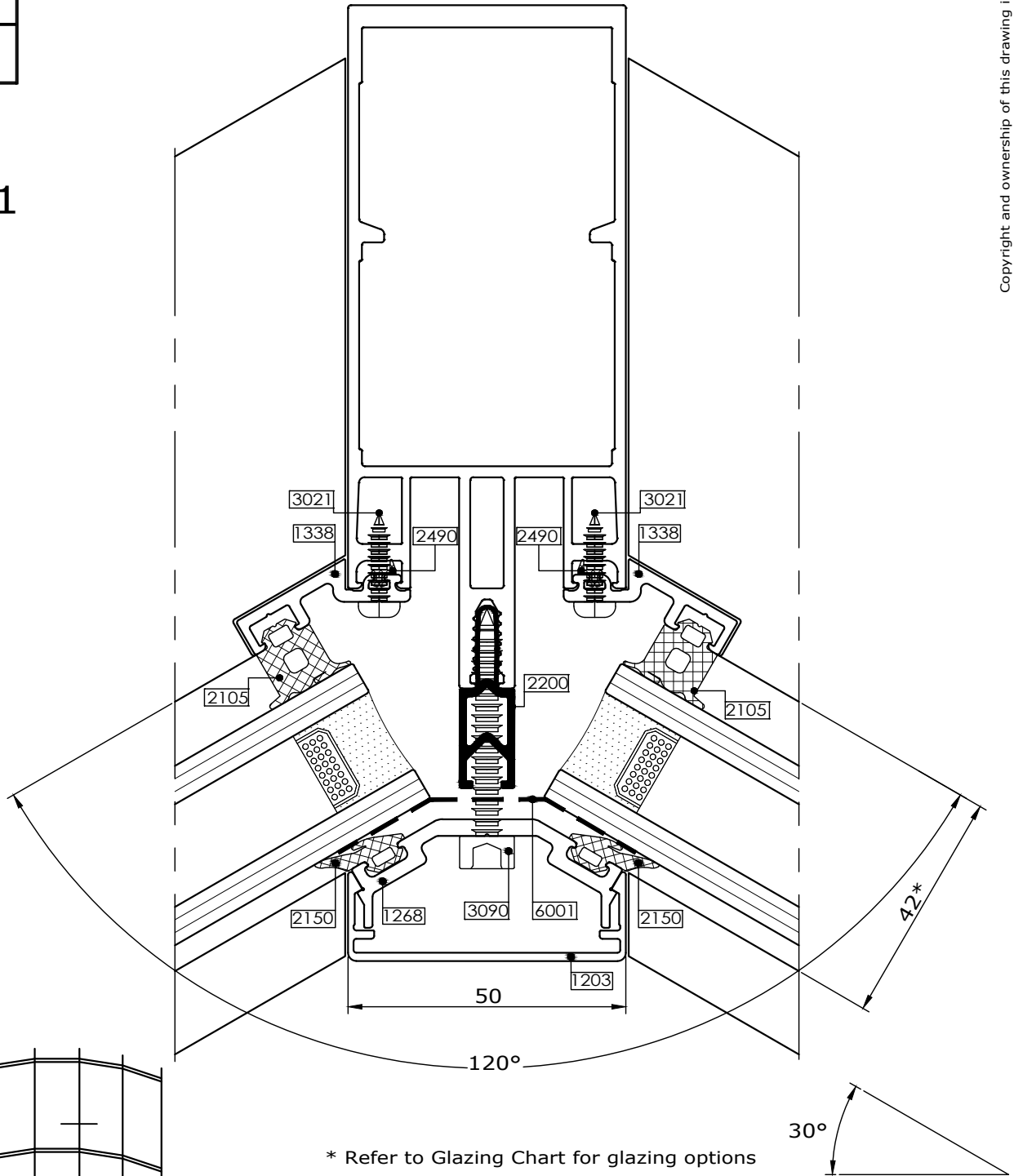
Comar 6EFT

Mullion detail
Facetted facade
30° nominal



2.31

Fabricators Guide



comar

ARCHITECTURAL ALUMINIUM SYSTEMS

Changes reserved
Sous reserve de modifications
Änderungen vorbehalten

Issue: 05
Date : 10 -16

Copyright and ownership of this drawing is vested in EFT,
Euro Facade Systems Ltd, whose prior written consent is required
for its use, reproduction or for publication to any third party.
All other rights reserved. Subject to modifications.

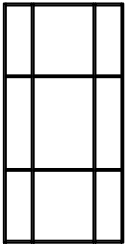
Copyright and ownership of this drawing is vested in EFT, Euro Facade Systems Ltd, whose prior written consent is required for its use, reproduction or for publication to any third party. All other rights reserved. Subject to modifications.

Mullion detail
Facetted facade
37.5° nominal

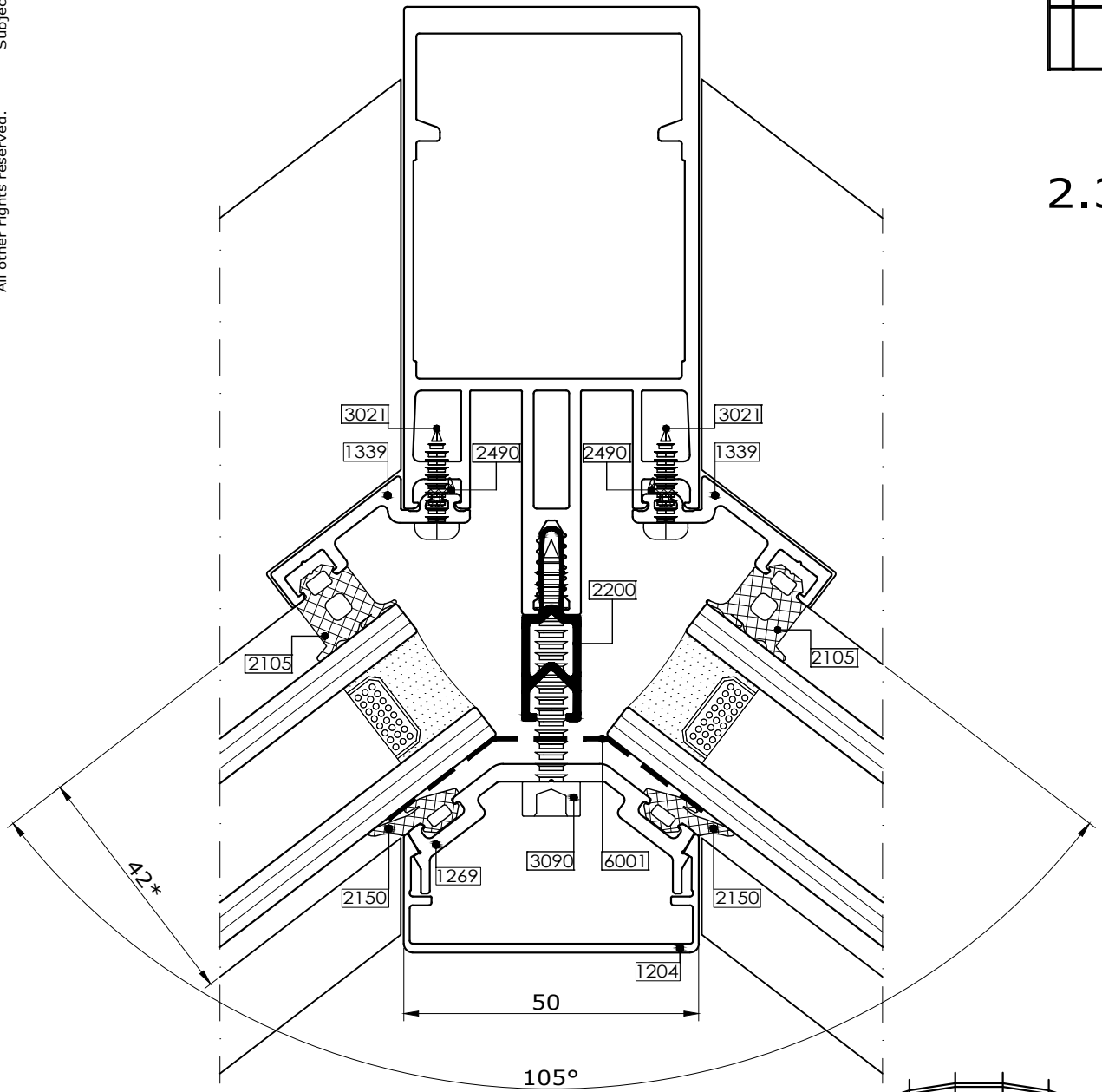
2

Typical detail

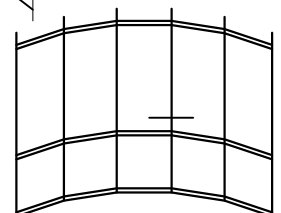
Comar 6EFT



2.32



Fabricators Guide



Changes reserved
Sous reserve de modifications
Änderungen vorbehalten

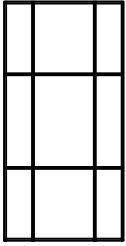
Issue: 05
Date : 03 -17

Typical detail

2

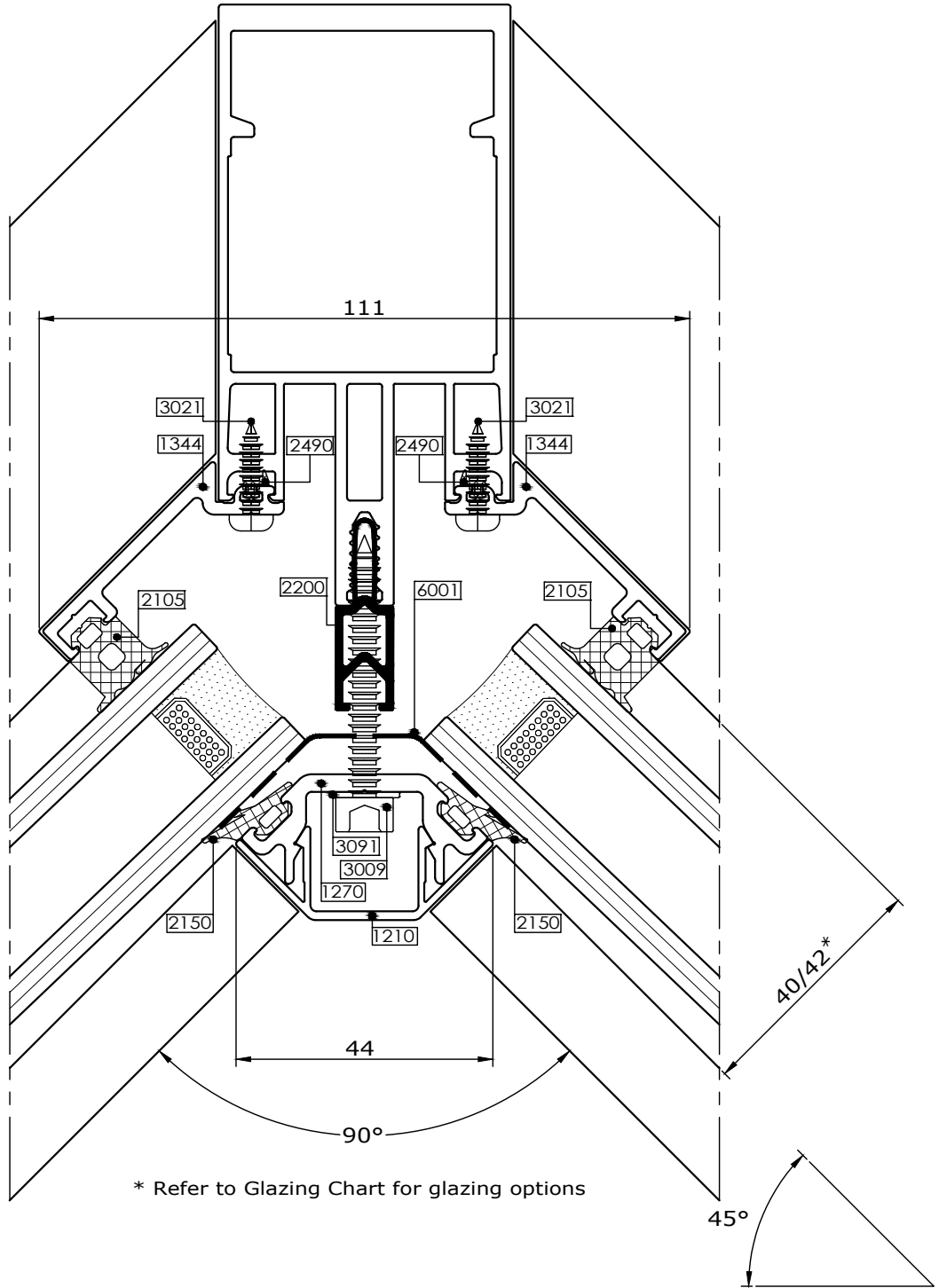
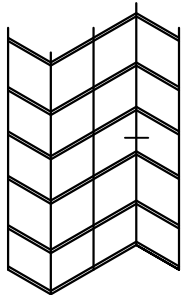
Comar 6EFT

Mullion detail
Facetted facade
45° nominal



2.33

Fabricators Guide



* Refer to Glazing Chart for glazing options

45°

Copyright and ownership of this drawing is vested in EFT, Euro Facade Systems Ltd, whose prior written consent is required for its use, reproduction or for publication to any third party. All other rights reserved. Subject to modifications.



comar
ARCHITECTURAL ALUMINIUM SYSTEMS

Changes reserved
Sous reserve de modifications
Änderungen vorbehalten

Issue: 05
Date : 03 -17

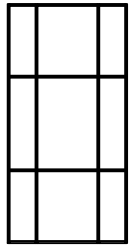
Copyright and ownership of this drawing is vested in EFT, Euro Facade Systems Ltd, whose prior written consent is required for its use, reproduction or for publication to any third party. All other rights reserved. Subject to modifications.

Mullion detail
Facetted facade
45° corner

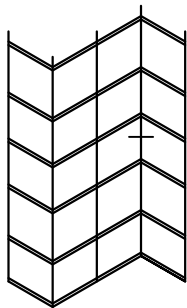
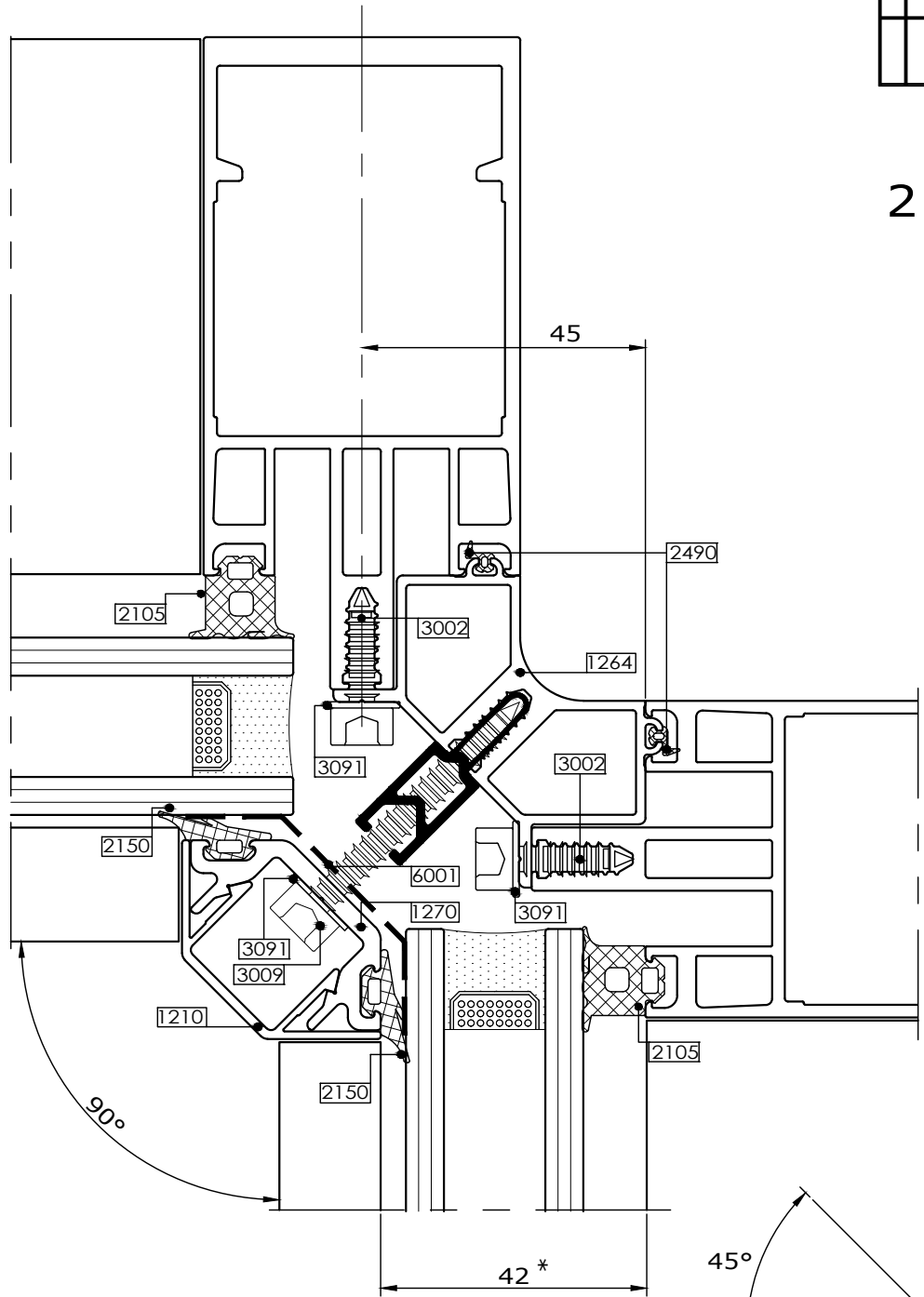
2

Typical detail

Comar 6EFT

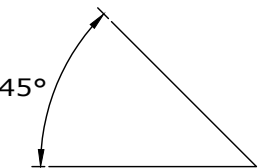


2.34



Fabricators Guide

* Refer to Glazing Chart for glazing options



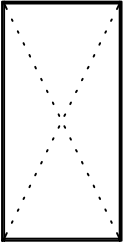
comar
ARCHITECTURAL ALUMINIUM SYSTEMS

Changes reserved
Sous reserve de modifications
Änderungen vorbehalten

Issue: 05
Date : 03 -17

Comar 6EFT

Future Additions



2.35

Fabricators Guide

FUTURE ADDITION

Copyright and ownership of this drawing is vested in EFT, Euro Facade Systems Ltd, whose prior written consent is required for its use, reproduction or for publication to any third party. All other rights reserved. Subject to modifications.