



CONTENTS

COMAR 7P./ COMMERCIAL DOOR

PART 1 INTRODUCTION / SPECIFICATION / BROADSHEETS

Introduction	Page No. 1.01
System Specification	1.02
Broadsheet Profiles	1.03-1.04
Broadsheet Ancillaries	1.05-1.06
Size Limitations	1.06.1-1.07.02
Lock and Mid Rail Position	1.08
Bead Screw Positions	1.09
Working Drawing	1.10-1.11
Fixing Details to Structure	1.12
PAS 24 Security Option Tested Door.	1.13

PART 2 FULL SIZE SECTIONS

Threshold Details	2.01 - 2.02
Head Details	2.03 - 2.04
Auto Door Head Details	2.05
Jamb Details	2.06 - 2.09
Meeting Stile Details.	2.10 - 2.11
Midrail Details	2.12 - 2.13
Jamb Detail - Increased Deep Lock Stile	2.14
Jamb Detail - Panic Device Side Detail	2.15

PART 3 FABRICATION

Cutting Lists	3.01 - 3.08
Assembly Details	3.09 - 3.12
Header Bar/Plate Preparation Details.	3.13
Top & Bottom Preparation Details	3.14
Concealed Closer Preparation Details	3.15 - 3.17
Threshold Preparation	3.18
Lock Preparation	3.19 - 3.24
Flush Bolt Preparation	3.25 - 3.26
Cleat Assembly & Preparation	3.27 - 3.28
MidRail Preparation	3.29
Keep Assembly	3.30
Bead Preparation	3.31
Panic Exit Preparation	3.32 - 3.38
Electric Strike Option	3.39 - 3.45
Threshold Preparation	3.46 - 3.47
Panic Exit LH-745 Preparation	3.48

PART 4 GLAZING

Standard Option	4.01 - 4.03
Security Option	4.04



INTRODUCTION

COMAR 7P./ COMMERCIAL DOOR

Exhibits the highest standards of design appeal, high strength and durability for today's more security conscious market and demonstrates a continuation of Comar's innovative approach to the design of Architectural Aluminium products.

The specific choice door profiles and ancillary equipment is designed for fabricators to meet the requirements of the latest Building Regulations, the Disability Discrimination Act and is tested to PAS24 BS/EN 1627-RC3 with two security locks (both engaged) Profiles are thermally broken with 'rolled in' polyamide profiles, to deliver an improved thermal performance. This allows specifiers to deliver a high performance door to the security conscious discerning customer.

The door can integrate with all Comar systems and allows for flexibility of design on projects in the commercial market.

All technical aspects of the range are covered in the product manual and further information is available from Comar's Technical Department for specific contract requirements.

This manual is copyright and ownership is vested in Comar Architectural Aluminium Systems whose prior written consent is required for its use.

The manual reproduction or publication to any third party that is not authorised in writing by Comar Architectural Aluminium Systems is strictly forbidden.

Telephone : 020 8685 9685
Fax No: 020 8646 5096
e-mail: technical@parksidegroup.co.uk
Web Site: <http://www.comar-alu.co.uk>

Registered number: 921619.

Registered office: The Parkside Group Ltd
Unit 5, The Willow Centre.
17 Willow Lane. MITCHAM.
Surrey. CR4 4NX UK



SPECIFICATION

COMAR 7P./ COMMERCIAL DOOR

Exhibits the highest standards of design appeal, strength and durability for today's security conscious commercial market.

MATERIALS

Aluminium alloy extruded profiles of 6063 T5 or T6 to BS EN 755 and BS EN 12020.

FINISHES

Aluminium profiles are finished to the following specifications:
Silver, Bronze and Black anodising to BS EN 12373-1:2001 or BS 3987
Liquid organic coating to BS 4842 or Polyester powder coating to BS 6496

CONSTRUCTION

Rails are square cut and design of stiles makes an almost invisible joint.
Stiles incorporate twin woolpile grooves to by-pass the lock.
A secure profile concealed under the door houses twin brush seals providing double weathering and draught proofing around the perimeter of the door. Low ramp drained or thermally broken thresholds are available.

GLAZING

The standard option uses a wide range of glazing beads and gaskets allow for a choice of glazing thickness from 9mm to 45mm.
The security option Glass to be used is Intruder Resistant Glass that conforms to LPS 1270 (Loss Prevention Standard) and is set dry against the glazing tape and retained by mechanically fixed beads.

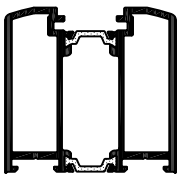
SPECIFICATION

The door conforms to the aluminium industry standards of the trade association i.e. The Council for Aluminium in Building (CAB). The door also conforms to many of the requirements for aluminium windows specification BS4873.
A single door using this manual design has been security tested to PAS 24 BS/EN 1627-RC3 fitted with two locks (both engaged).

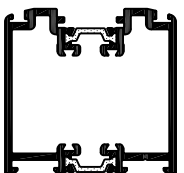
All technical aspects for this product are covered in the product manual and further information is available from Comar's Technical Department for specific contract requirements.

PROFILE SECTIONS BROADSHEET

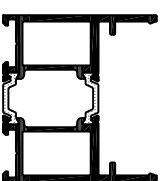
(T.B) = THERMALLY BROKEN PROFILE



CS772
DOOR STILE, PLAIN
(T.B)



CS771
DOOR STILE
(T.B)



CS777
DOOR TOP
RAIL (T.B)



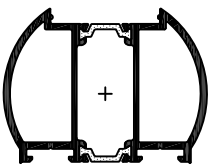
CS992
HEADER BAR PLATE
(T.B)



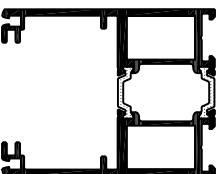
CS083
DRIP SECTION
FOURKULF - STUD
FOURSEIF - SCREW FIXING
OR
FOURSEIF - PROFILE INLET FIXINGS



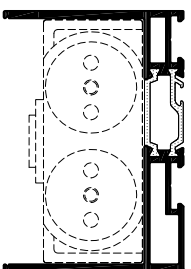
CS997
MULLION ADAPTOR
(T.B)



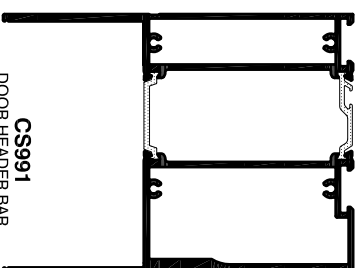
CS773
FINGER GUARD DOOR
STILE (T.B)



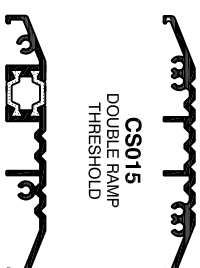
CS778
DOOR BOTTOM
RAIL (T.B)



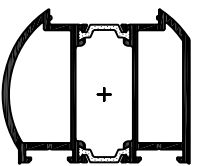
CS993
HEADER BAR
(T.B)



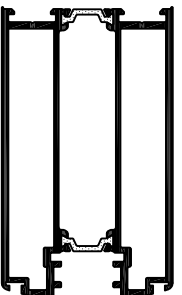
CS991
DOOR HEADER BAR



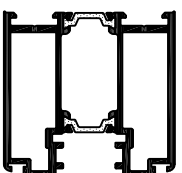
CS015
DOUBLE RAMP
THRESHOLD



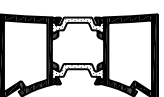
CS774
FINGER GUARD DOOR
STILE, PANIC EXIT
(T.B)



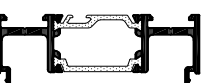
CS775
DOOR STILE
WOODPILE (T.B)



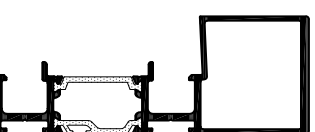
CS779
DOOR STILE
WOODPILE (T.B)



CS994
DOOR FINGER GUARD,
70MM PIVOT POINT
(T.B)

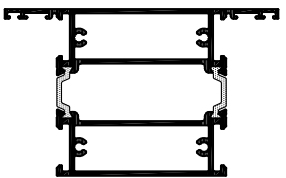


CS962
78mm MULLION
INFILL PLATE
NO LEG (T.B)

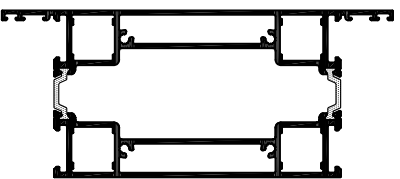


CS965
MULLION INTERNAL
BOX (T.B)

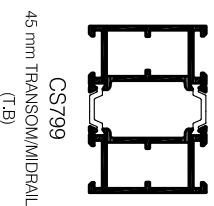




CS780
105mm
TRANSOM/MIDRAIL
(T.B.)



CS781
150mm TRANSOM/MIDRAIL
(T.B.)



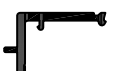
CS799
45 mm TRANSOM/MIDRAIL
(T.B.)



CS795
STANDARD BEAD



CS796
SECURITY BEAD
EXTERNAL



CS797
SECURITY BEAD
INTERNAL



CS798
SECURITY BEAD
COVER



CS925
GLAZING BEAD



CS926
GLAZING BEAD



CS927
GLAZING BEAD



CS928
GLAZING BEAD



CS929
GLAZING BEAD



CS930
GLAZING BEAD



CS422
GLAZING BEAD



CS100
RAIL BRUSH
WOOLPILE CARRIER



CS734
BOTTOM RAIL PLATE
47,8 x 3 mm



CS045
SINGLE RAMP THRESHOLD



CS715
SQUARE RAMP THRESHOLD



CS143
100 x 3mm FLAT



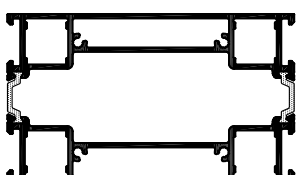
CS315
DOUBLE RAMP DRAINED
THRESHOLD



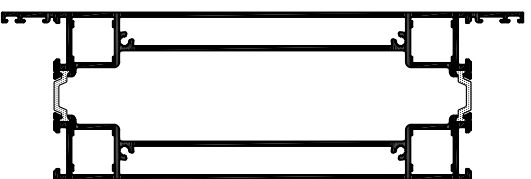
CS072
DRAINAGE TRAY
(THERMALLY BROKEN OR PLAIN)



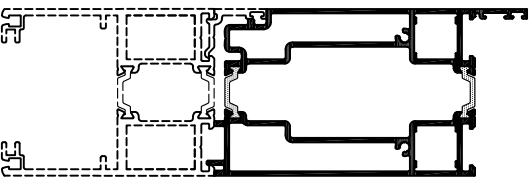
CS345
SINGLE RAMP DRAINED
THRESHOLD



CS783
110mm SECURITY
OPTION DOOR MIDRAIL
(T.B.)



CS782
200mm
TRANSOM/MIDRAIL
(T.B.)



CS784
100mm BOTTOM RAIL
EXTENSION (T.B.)





GK906
6MM GLAZING WEDGE



GK908
8MM GLAZING WEDGE



GK910
10MM GLAZING WEDGE



GK425
5MM ARROW HEAD GASKET



WP012
12MM BRUSH SEAL



GK773
ANTI FINGER TRAP DOOR CAVITY FILLER TRIM



GK754
DOOR CAVITY FILLER

2MM ARROW HEAD GASKET

BLACK COLOUR STRIP

BLUE COLOUR STRIP



WS916XS LFF
ALIGNMENT FOR TRANSOM / MULLION



SE003
Kwikstick 3mm Glazing Tape



WP007
7MM BASE 10MM LONG



WS902XS LFF
SECURITY CLIP



FB-6501-F18
AXIM FLUSH BOLT



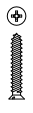
M6 x 25mm CSK
FX077XS LFF



Part of AXIM G KIT



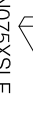
AXIM TC-8800 - 03 A-KIT



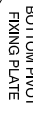
FX039XS LFF
N8 x 29mm CSK Stainless Steel Self Tapping Screws



FX034XS LFF
N8 x 16mm CSK Self Tapping Screw



IN075XS LFF
CLEAT BACK PLATE



IN070XS LFF
BOTTOM PIVOT FIXING PLATE



TC-8800-15
END LOAD DRIVE ARM



IN015XS LFF
SILL CONNECTOR and SUPPORT



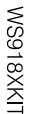
IN001XS LFF
SUPPORT CHANNEL FOR HEADER BAR



FX802XS LFF
M5 x 16mm Pan Head Stainless Steel Machine Screws



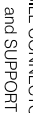
FX800XS LFF
M5 x 20mm CSK Stainless Steel Machine Screws



WS918XKIT
14.5 mm MIDRAIL CLEAT
1 x M5 x 10 mm GRUB SCREW
1 x M6 x 7 mm CSK SCREW



IN078XS LFF
SECURITY TOP ARM ANGLE



IN072XS LFF
TOP ARM FIXING PLATE



CL091
DOOR STOP



FX082XS LFF
M10 STUD FOR PUSH HANDLE



FX7003 XS LFF
No.6 x 16 Pan Head Self Drill



FX613 XS LFF
M6 x 10mm CSK MACHINE SCREW



FX613 XS LFF
M6 x 10mm CSK MACHINE SCREW



FX213XS LFF
M8 x 65mm SOCKET HEAD BOLT



AC023XS LFF
LOCK BODY SPACER



AC024XS LFF
HEX NUT LOCK BODY SPACER



IN077XS LFF
BOTTOM PIVOT PROTECTOR



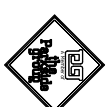
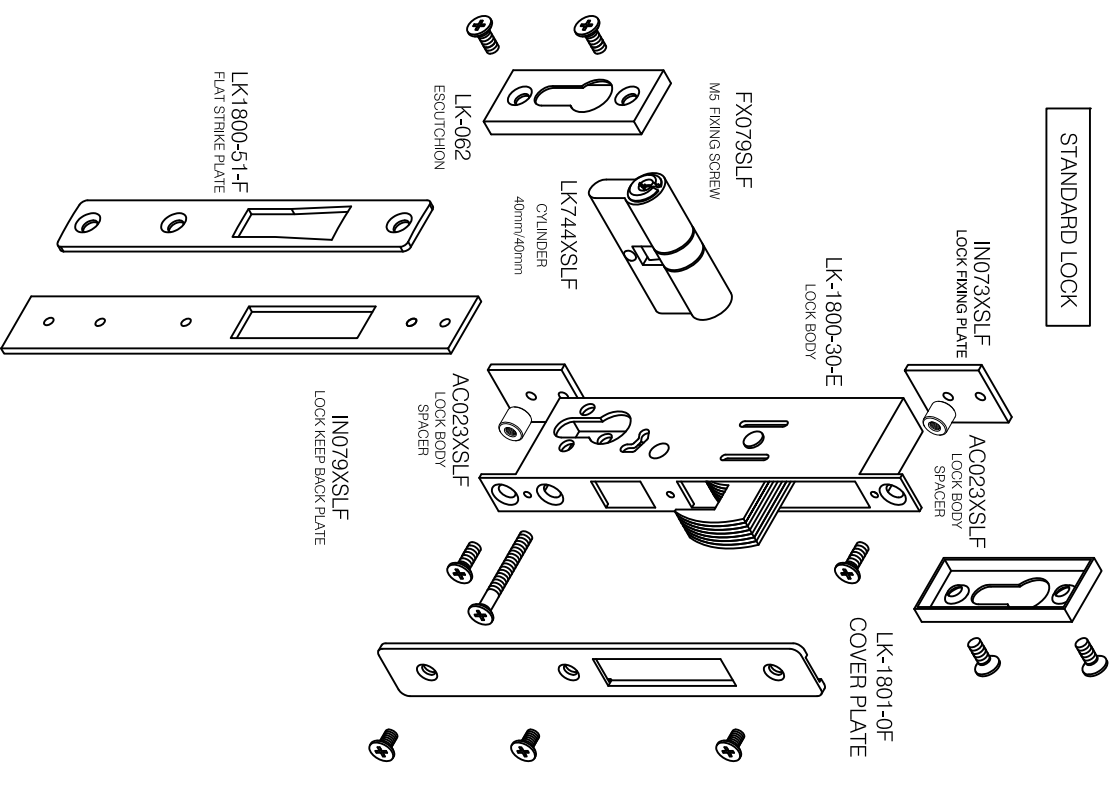
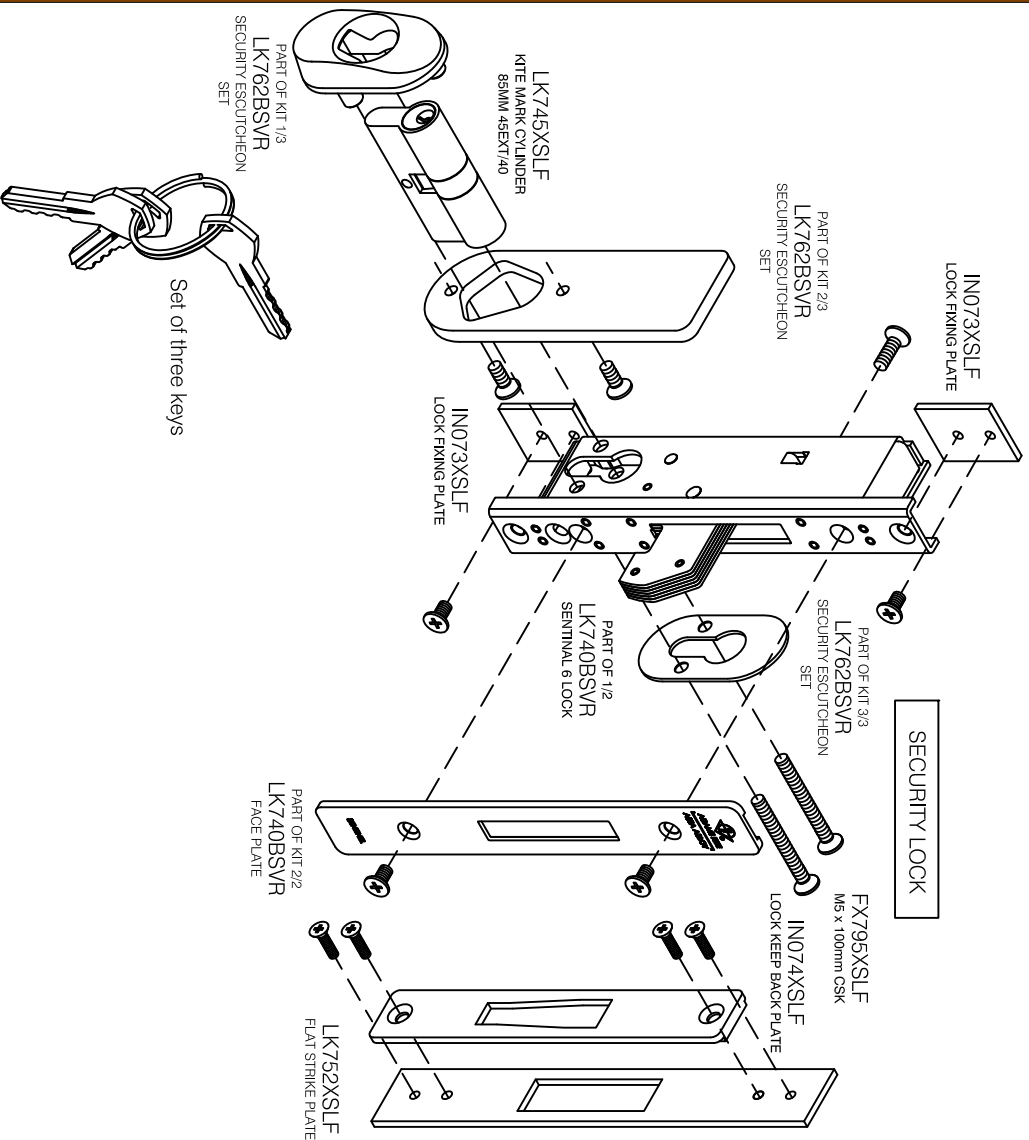
TC-9500-17
BOTTOM PIVOT ASSEMBLY



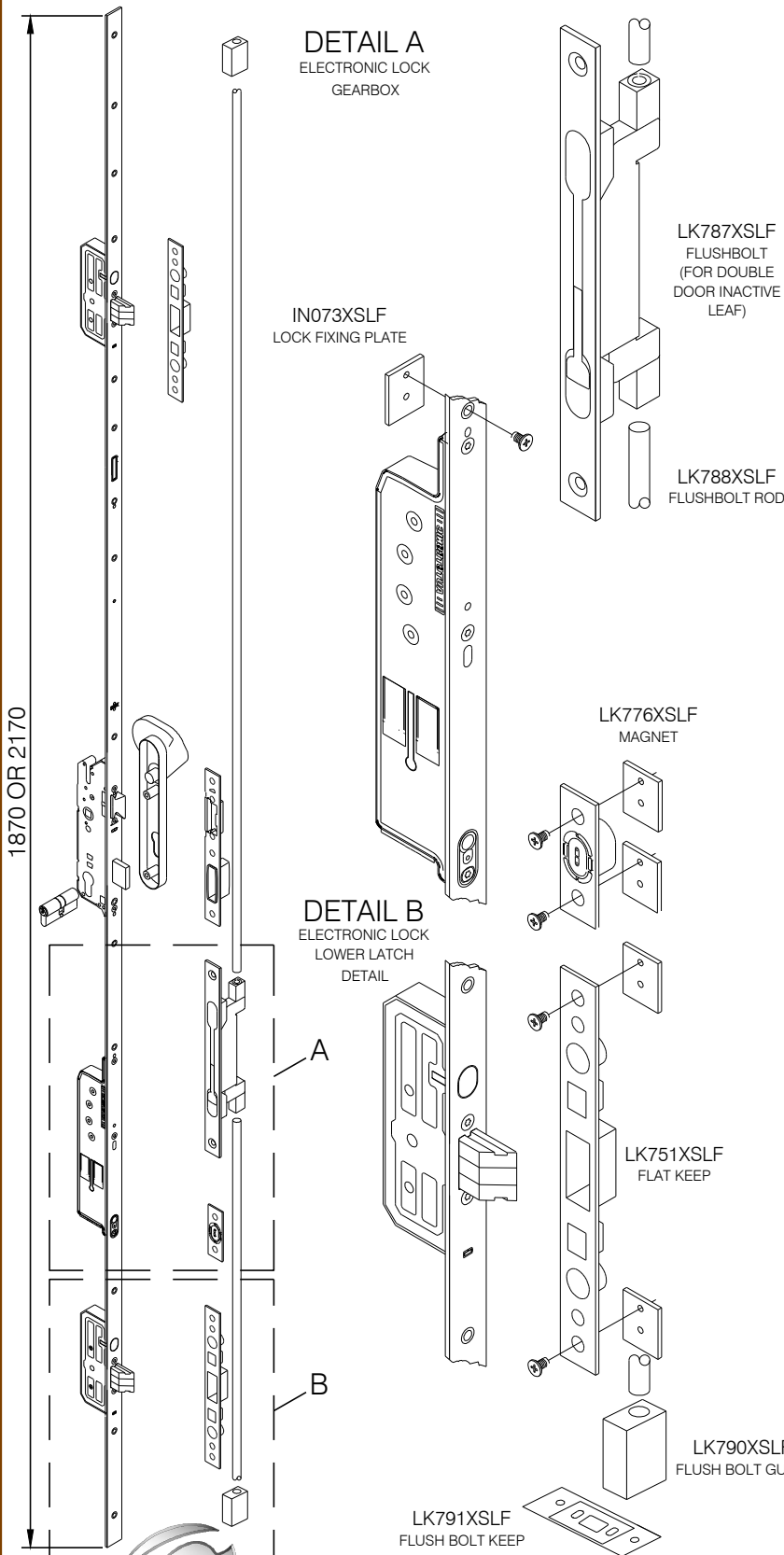
FB-62-041
FLUSH BOLT GUIDE BLOCK



ANCILLARIES BROADSHEET



SCALE	NTS	@A
DATE	28-03-2017	
DRAWN	VM / KD	
DRG. No.	C7PI-CD-1.06	R2



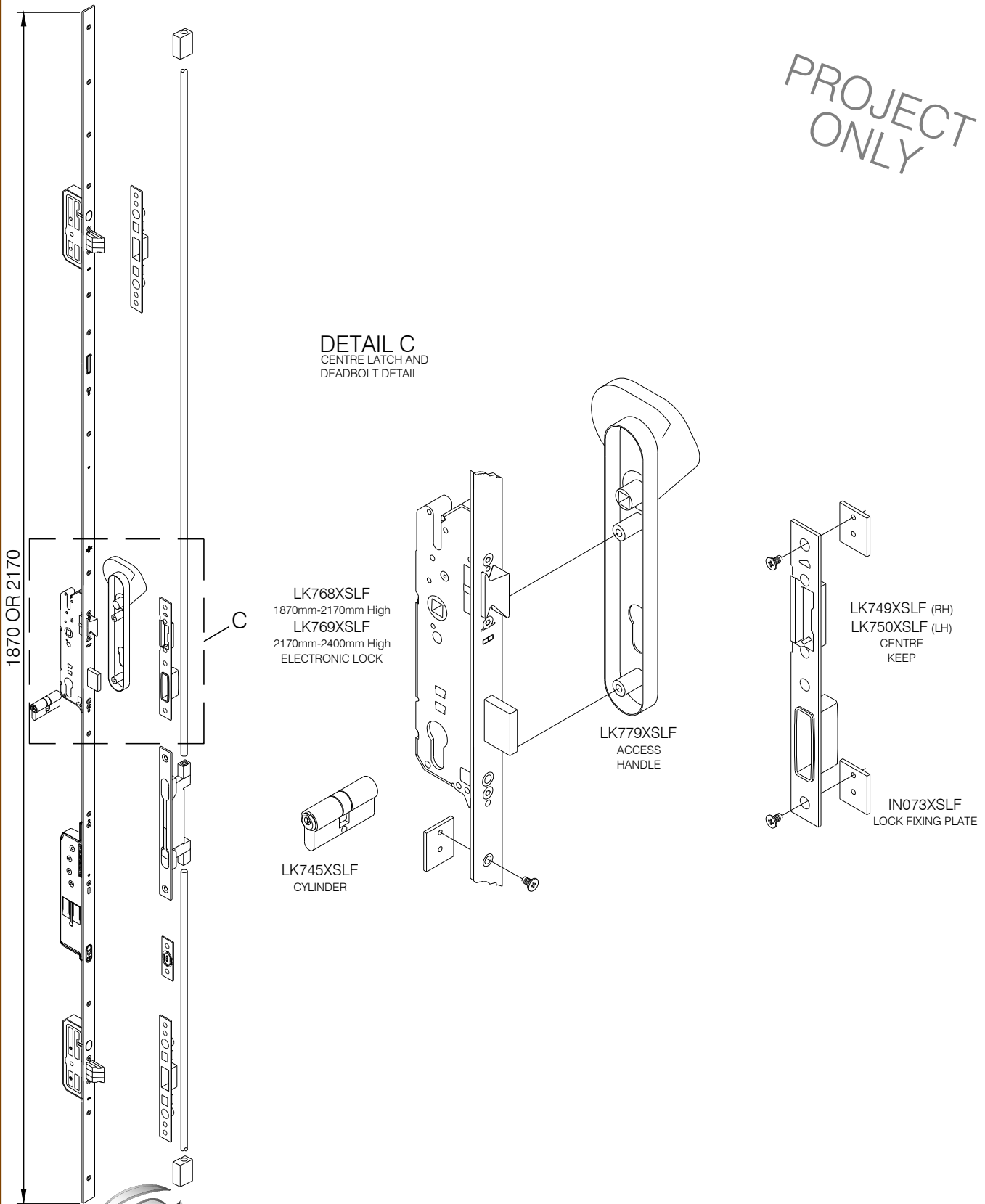
PROJECT
ONLY

ELECTRONIC CONTROL OPTIONS	
Description	Part No
Radio Receiver Module with Master Key	LK780XSFL
Cable 10 metre 6 pin	LK781XSFL
RAIL transformer	LK782XSFL
Cable duct	LK783XSFL
Radio push button	LK784XSFL
Cable protection sleeves	LK785XSFL
Cable 3 core 4m with 6 pin plug	LK794XSFL
Cable 3 core 8m with 1 plug	LK795XSFL
Rail mounted control unit & 1 master key	LK796XSFL

Note: Please reference
Electronic Locking
Document MBW15 for
wiring details and options

Copyright & ownership of this drawing is vested in COMAR Architectural Aluminium Systems, whose prior written consent is required for its use, reproduction or publication to any third party. All other rights reserved. Subject to modifications without prior notification

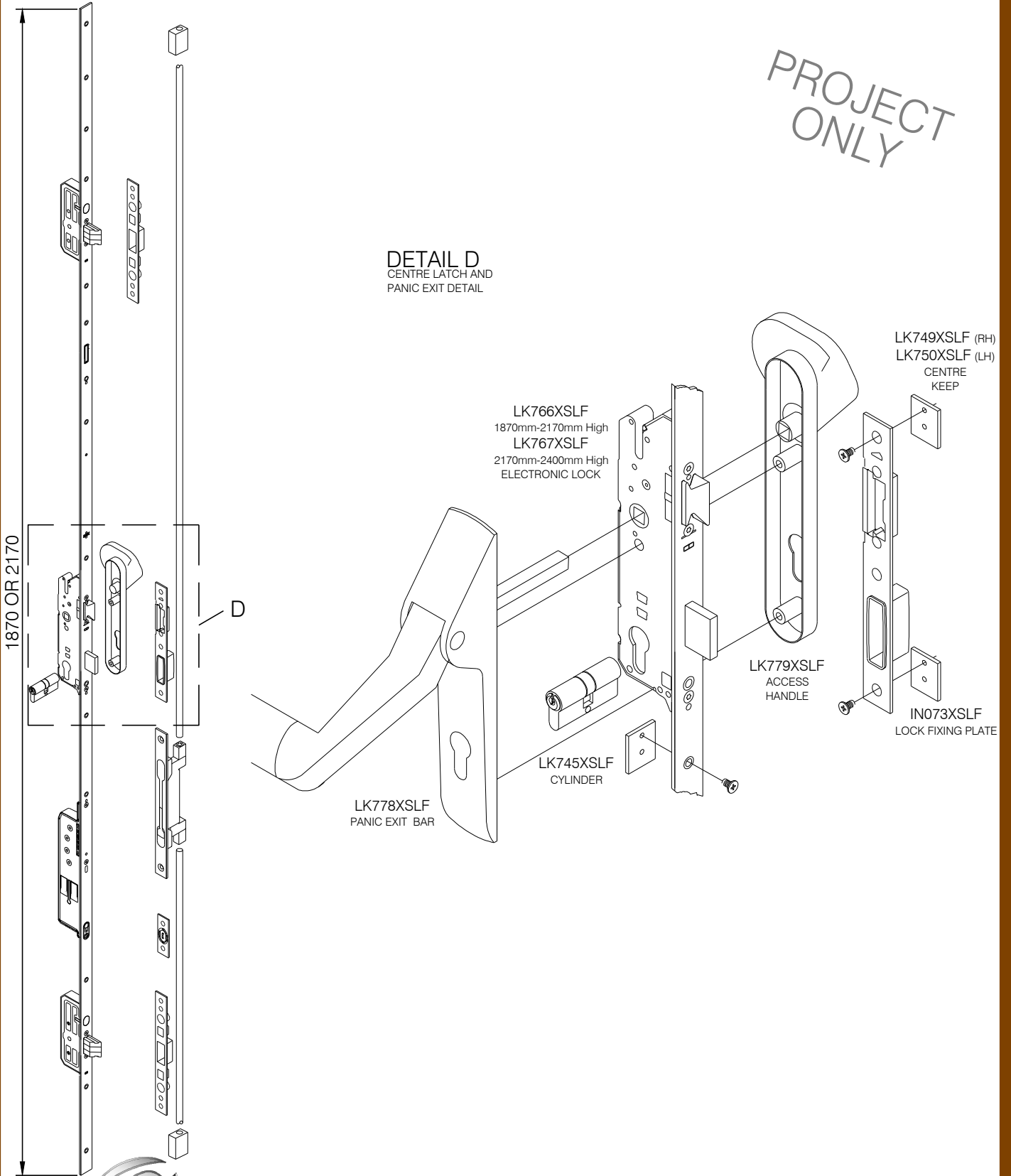
PROJECT
ONLY



Copyright & ownership of this drawing is vested in COMAR Architectural Aluminium Systems, whose prior written consent is required for its use, reproduction or publication to any third party. All other rights reserved. Subject to modifications without prior notification

PROJECT
ONLY

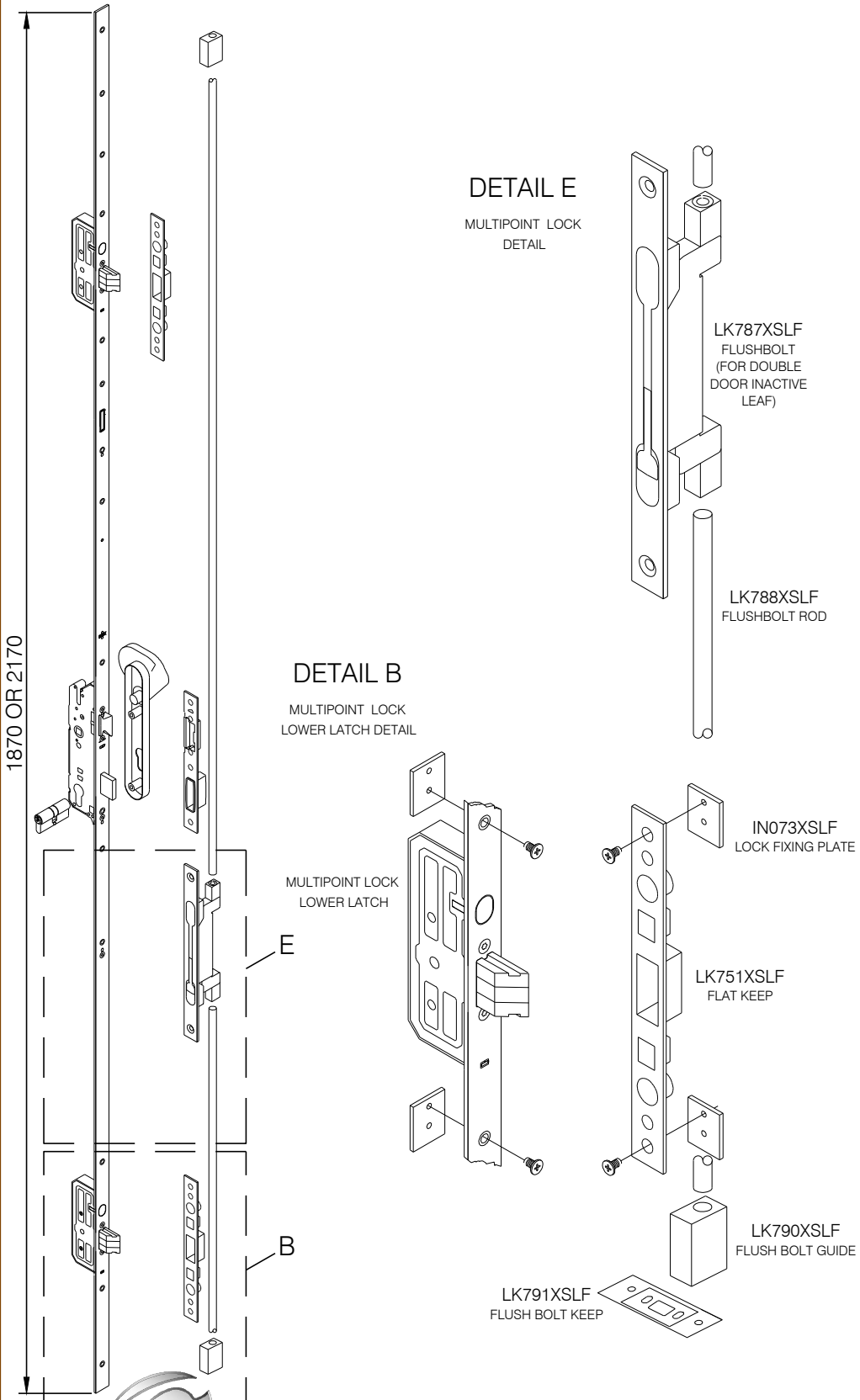
DETAIL D
CENTRE LATCH AND
PANIC EXIT DETAIL



Copyright & ownership of this drawing is vested in COMAR Architectural Aluminium Systems, whose prior written consent is required for its use, reproduction or publication to any third party. All other rights reserved. Subject to modifications without prior notification

SCALE	NTS	© A4
DATE	20/03/17	
DRAWN	NRA	
DRG. No.	C7Pi-CD-1.06.03 R0	

PROJECT
ONLY

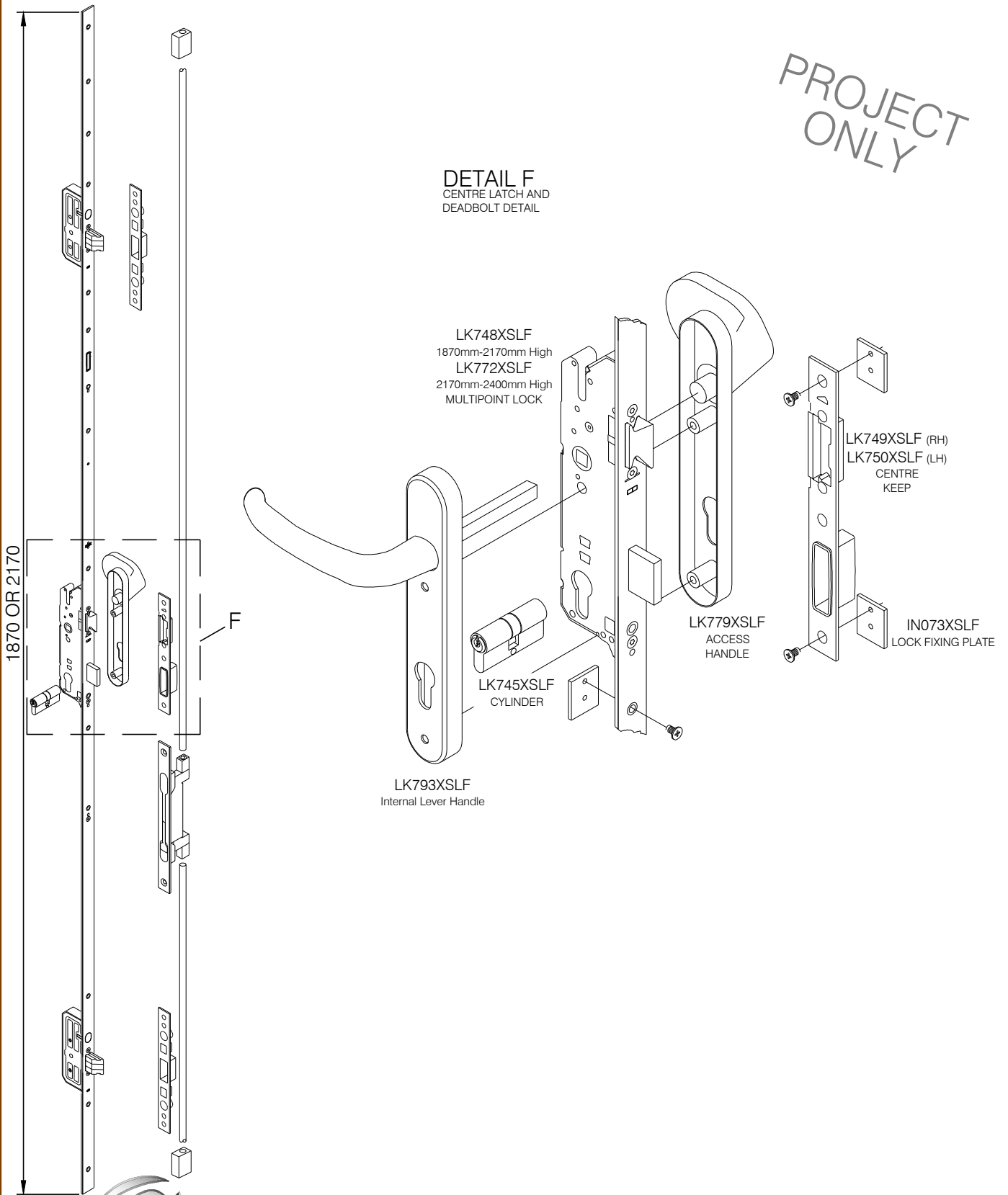


Copyright & ownership of this drawing is vested in COMAR Architectural Aluminium Systems, whose prior written consent is required for its use, reproduction or publication to any third party. All other rights reserved. Subject to modifications without prior notification

SCALE	NTS	© A4
DATE	20/03/17	
DRAWN	NRA	
DRG. No.	C7Pi-CD-1.06.04 R0	

PROJECT
ONLY

DETAIL F
CENTRE LATCH AND
DEADBOLT DETAIL

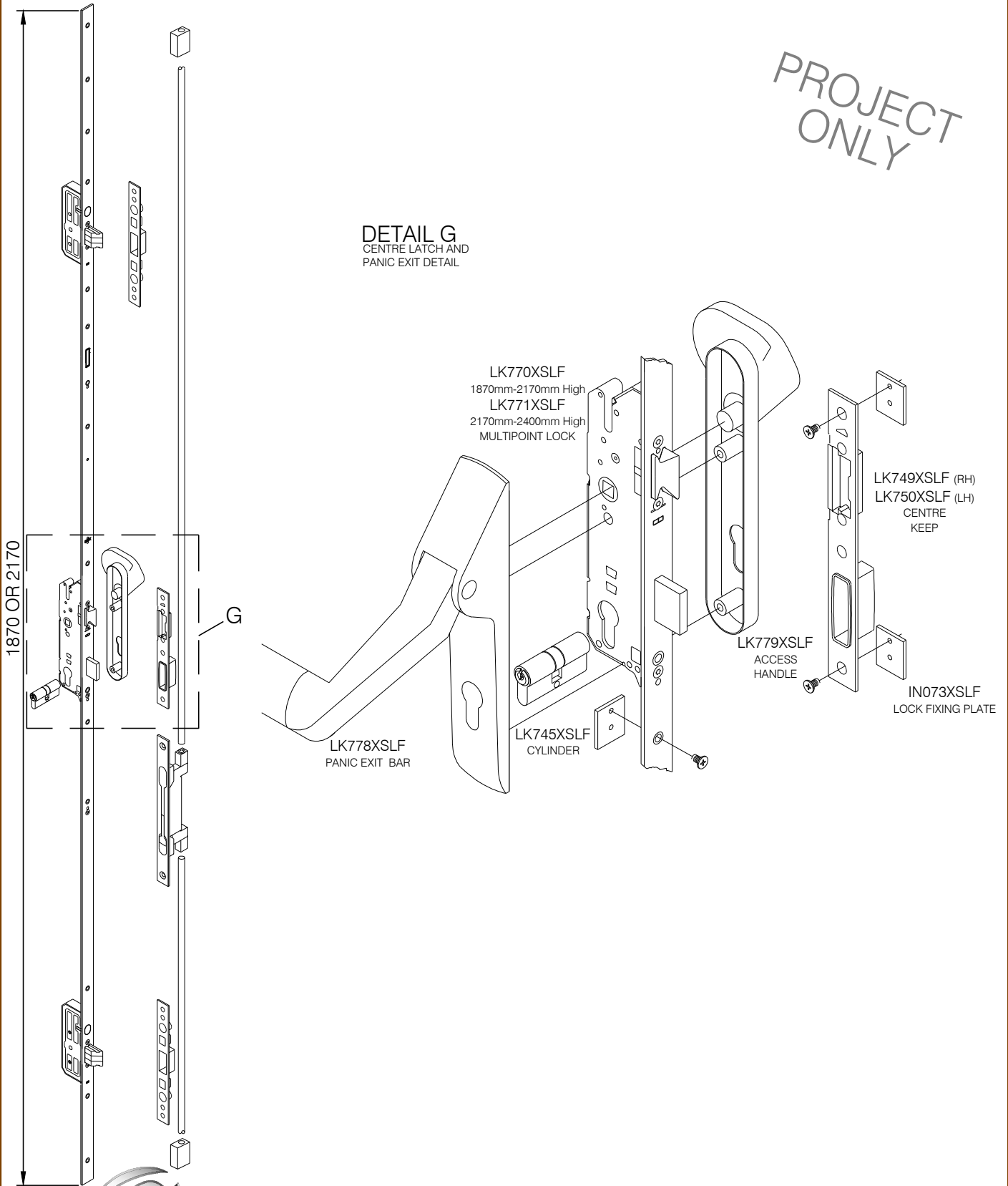


Copyright & ownership of this drawing is vested in COMAR Architectural Aluminium Systems, whose prior written consent is required for its use, reproduction or publication to any third party. All other rights reserved. Subject to modifications without prior notification

SCALE	NTS	© A4
DATE	20/03/17	
DRAWN	NRA	
DRG. No.	C7Pi-CD-1.06.05 R0	

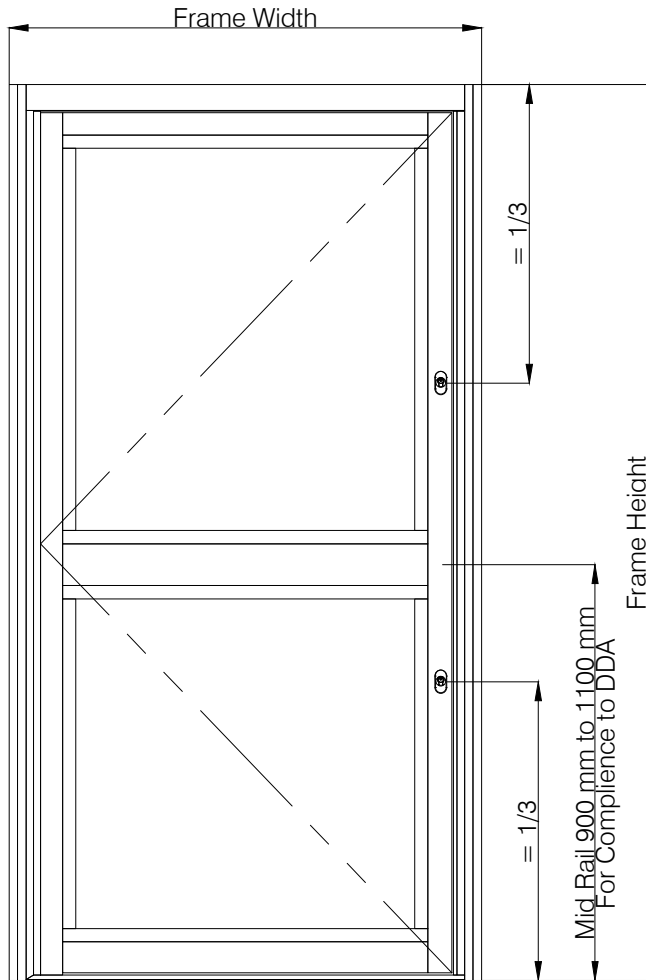
PROJECT
ONLY

DETAIL G
CENTRE LATCH AND
PANIC EXIT DETAIL



Copyright & ownership of this drawing is vested in COMAR Architectural Aluminium Systems, whose prior written consent is required for its use, reproduction or publication to any third party. All other rights reserved. Subject to modifications without prior notification

SCALE	NTS	© A4
DATE	20/03/17	
DRAWN	NRA	
DRG. No.	C7Pi-CD-1.06.06 R0	



STANDARD AND PAS 24 SECURITY OPTION

UNIVERSAL CONCEALED TRANSOM CLOSER
180° SWING AND DELAYED ACTION
HOLD OPEN OPTIONS AVAILABLE
THREE CLOSING STRENGTHS AVAILABLE

AXIM TC8801-0015	8801-9015	SIZE 1
AXIM TC8802-0015	8802-9015	SIZE 2
AXIM TC8803-0015	8803-9015	SIZE 3

MAX DOOR LEAF WIDTH 1150mm MAX DOOR LEAF HEIGHT 2400mm MAX DOOR LEAF WEIGHT 100Kgs

SECURITY OPTION

LPS 1175 - SR2 & EN 1627 - RC3 CERTIFIED SECURITY RATED SINGLE ANTI FINGER TRAP SWING DOOR FOR BUILDINGS WITH PUBLIC ACCESS REQUIRING A FAR HIGHER THAN NORMAL DEGREE OF SECURITY

FRAME WIDTH - 640 mm to 1250mm FRAME HEIGHT - 1800mm TO 2370mm FRAME WEIGHT - 90Kgs



comar
ARCHITECTURAL ALUMINIUM SYSTEMS

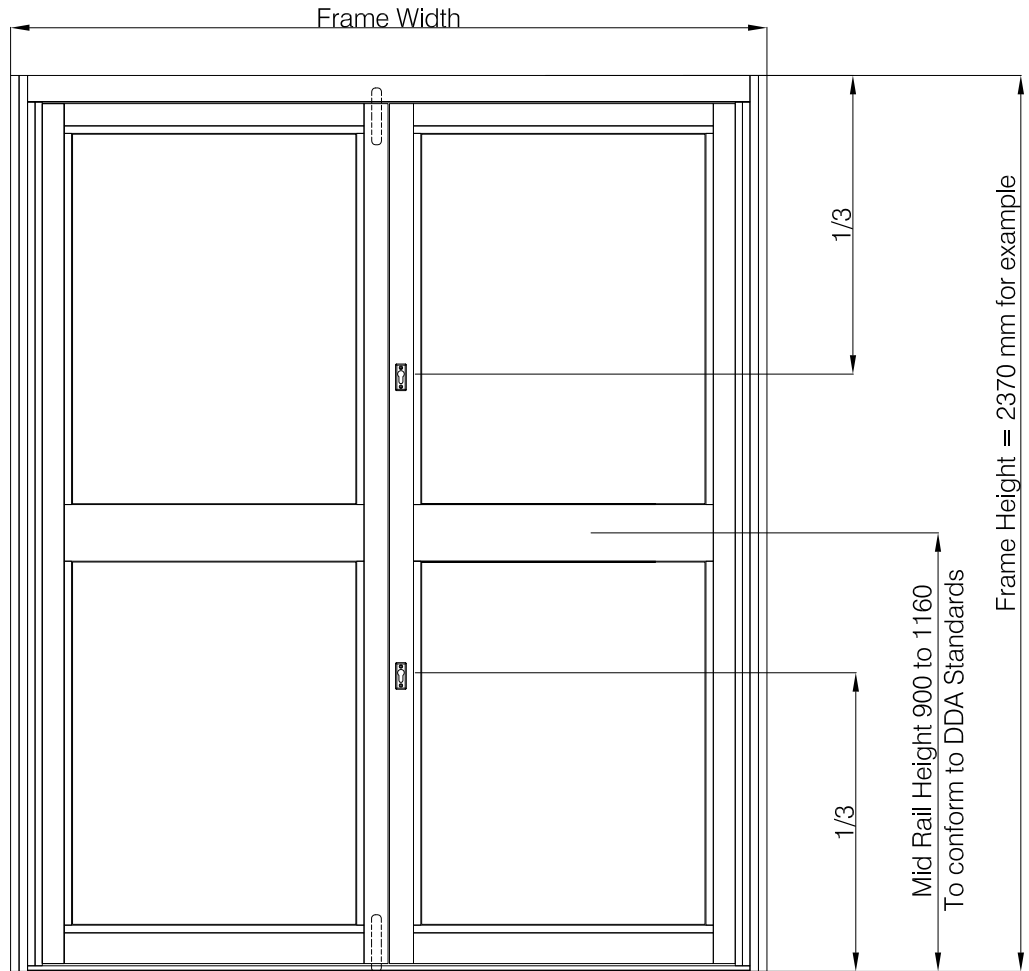


Copyright & ownership of this drawing is vested in COMAR Architectural Aluminium Systems, whose prior written consent is required for its use, reproduction or publication to any third party. All other rights reserved. Subject to modifications without prior notification

THE PARKSIDE GROUP LTD
UNIT 5 ° THE WILLOW CENTRE
17 WILLOW LANE ° MITCHAM
SURREY ° CR4 4NX
Tel: 020-8685 9685 Fax: 020-8687 1142
Email: technical@parksidegrp.co.uk
Web Site: <http://www.comar-alu.co.uk>

SCALE	1: 20	@ A4
DATE	05/02/16	
DRAWN	KP/AMR	
DRG. No.	C7Pi-CD-1.07	R2

TITLE	POLYAMIDE INSULATED DOORS COMAR 7Pi COMMERCIAL DOOR	SHEET No. 1.07.01
SUB TITLE	PAS 24 SECURITY OPTION SIZE LIMITATIONS AND CONFIGURATIONS	



PAS 24 SECURITY OPTION

HARDWARE LIST:

TRANSOM CLOSER AND BOTTOM PIVOT FOR CD	2
IN078XSLF SECURITY TOP ARM ANGLE	2
FB-6501-F18 AND FB-62-041 FLUSH BOLT (SLAVE DOOR)	2
STANDARD LOCK - PAGE C7Pi-CD-1.06 R1	2
LK745XSLF SECURITY CYLINDER	2
WS700XSLF BOTTOM PIVOT PROTECTOR	2

EXTERNAL CS795 BEAD FIXED IN PLACE
WS902XSLF SECURITY GLAZING CLIP

ALL OTHER COMPONENTS AS PER STANDARD DOOR



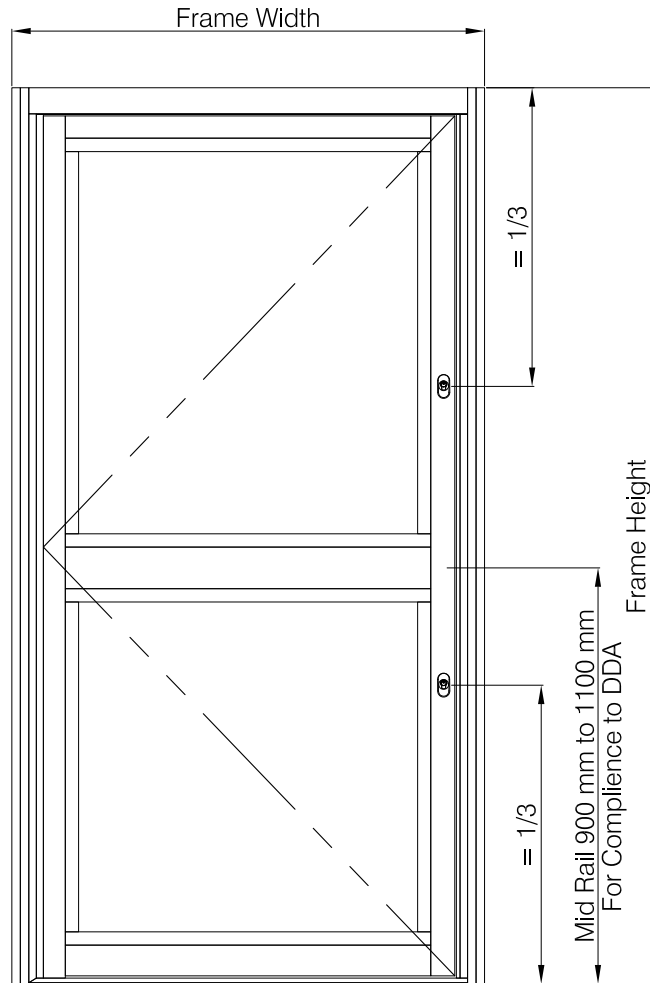
comar
ARCHITECTURAL ALUMINIUM SYSTEMS



Copyright & ownership of this drawing is vested in COMAR Architectural Aluminium Systems, whose prior written consent is required for its use, reproduction or publication to any third party. All other rights reserved. Subject to modifications without prior notification

THE PARKSIDE GROUP LTD
UNIT 5 ° THE WILLOW CENTRE
17 WILLOW LANE ° MITCHAM
SURREY ° CR4 4NX
Tel: 020-8685 9685 Fax: 020-8687 1142
Email: technical@parksidegrp.co.uk
Web Site: http://www.comar-alu.co.uk

SCALE	1: 20	© A4
DATE	25/04/17	
DRAWN	AMR / KD	
DRG. No.	C7Pi-CD-1.07.01 R0	



PAS 24 SECURITY OPTION

HARDWARE LIST:

TRANSOM CLOSER AND BOTTOM PIVOT FOR CD	1
IN078XSLF SECURITY TOP ARM ANGLE	1
STANDARD LOCK - PAGE C7Pi-CD-1.06 R1	2
LK745XSLF SECURITY CYLINDER	2
WS700XSLF BOTTOM PIVOT PROTECTOR	1

EXTERNAL CS795 BEAD FIXED IN PLACE
WS902XSLF SECURITY GLAZING CLIP

ALL OTHER COMPONENTS AS PER STANDARD DOOR



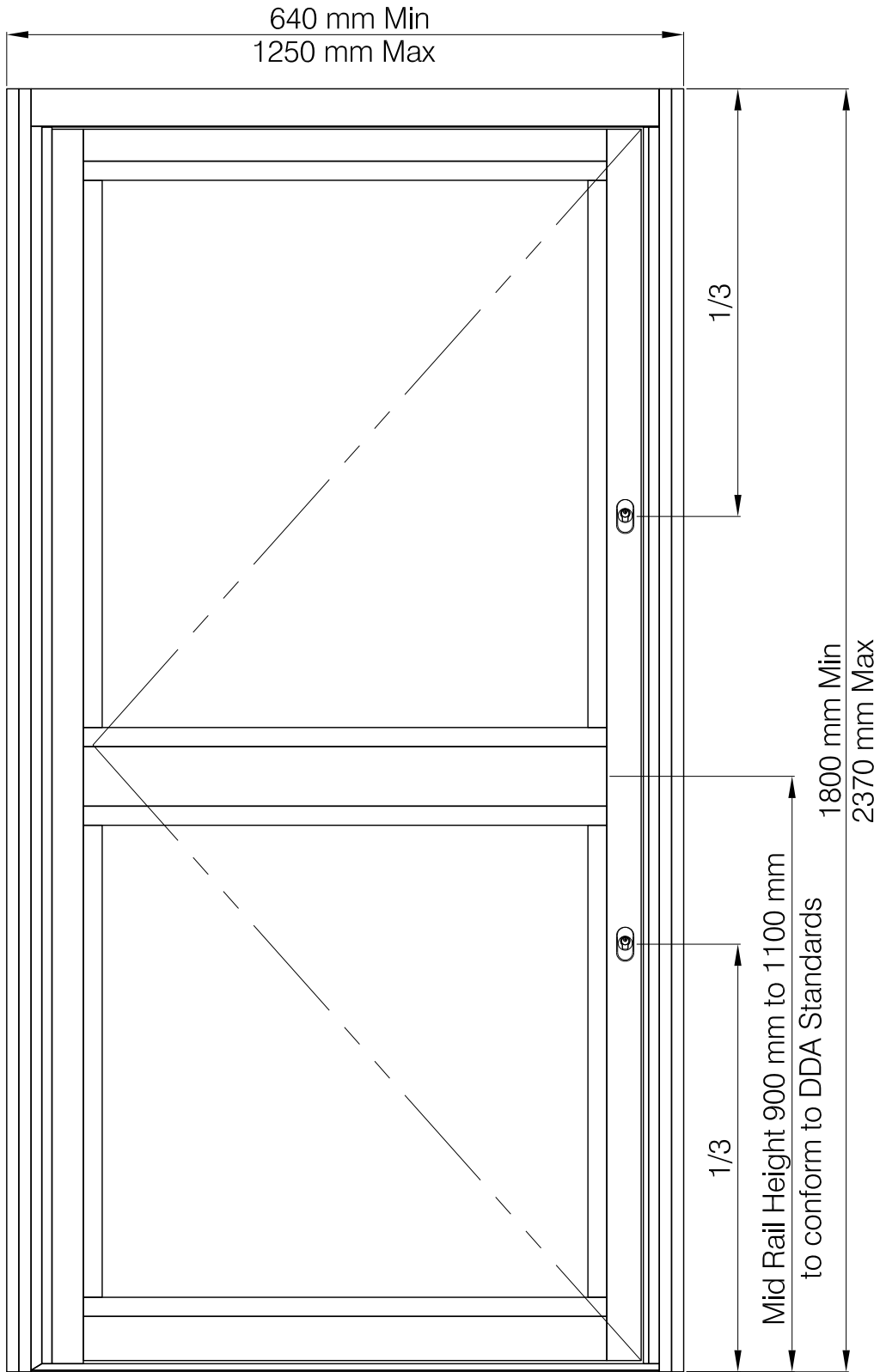
SCALE	1: 20	@ A4
DATE	25/04/17	
DRAWN	AMR / KD	
DRG. No.	C7Pi-CD-1.07.02	

comar 7P.i

TITLE
**POLYAMIDE INSULATED DOORS
 COMAR 7Pi COMMERCIAL DOOR**

SHEET No.
1.08

SUB TITLE
**SECURITY OPTION
 LOCK AND MID RAIL POSITION**



Copyright & ownership of this drawing is vested in COMAR Architectural Aluminium Systems, whose prior written consent is required for its use, reproduction or publication to any third party. All other rights reserved. Subject to modifications without prior notification

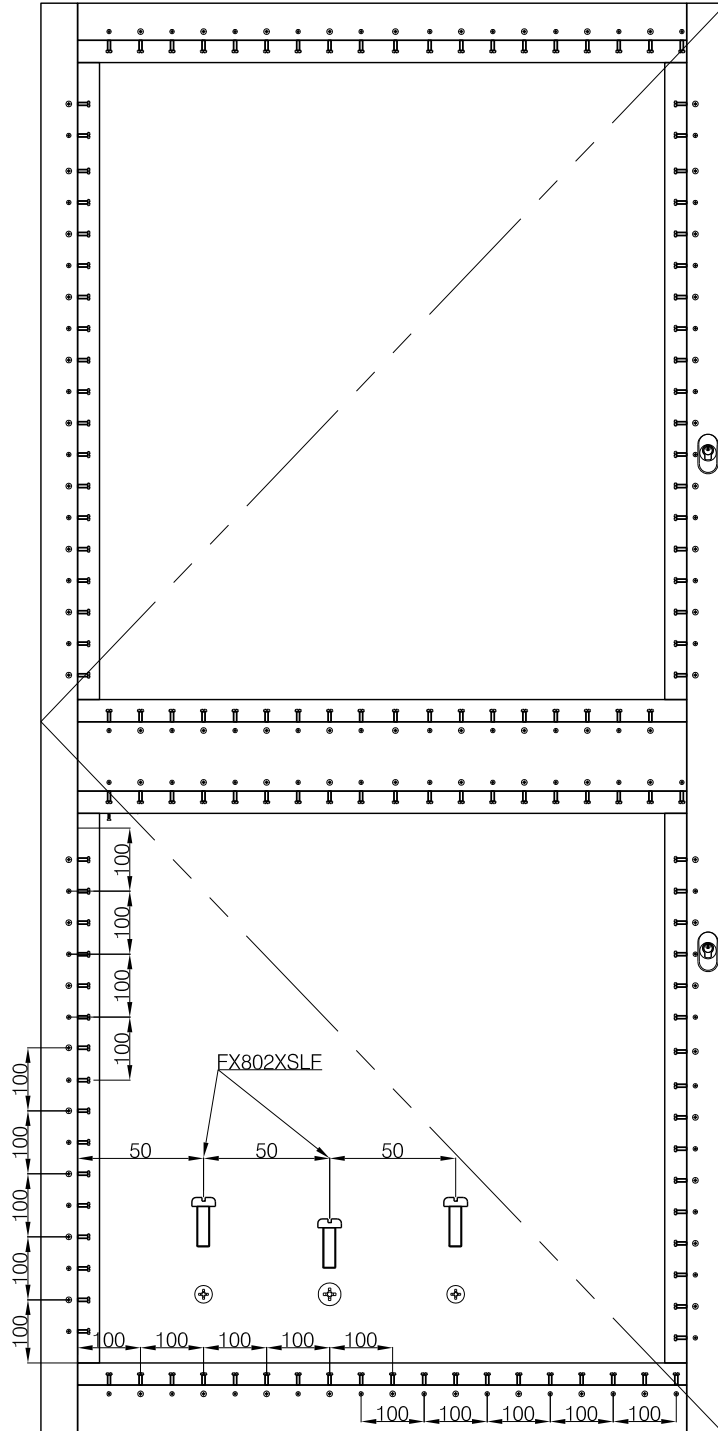


comar
 ARCHITECTURAL ALUMINIUM SYSTEMS



THE PARKSIDE GROUP LTD
 UNIT 5 ° THE WILLOW CENTRE
 17 WILLOW LANE ° MITCHAM
 SURREY ° CR4 4NX
 Tel: 020-8685 9685 Fax: 020-8687 1142
 Email: technical@parksidegrp.co.uk
 Web Site: http://www.comar-alu.co.uk

SCALE	1: 16	© A4
DATE	24/09/14	
DRAWN	VM / KP	
DRG. No.	C7Pi-CD-1.08	R1



NOTE:
FOR A SECURITY RATED DOOR
THE SCREWS ARE TO BE
INSTALLED AS PER THE MANUAL

SEE PAGE 3.31 FOR FURTHER
DETAILS

Copyright & ownership of this drawing is vested in COMAR Architectural Aluminium Systems, whose prior written consent is required for its use, reproduction or publication to any third party. All other rights reserved. Subject to modifications without prior notification

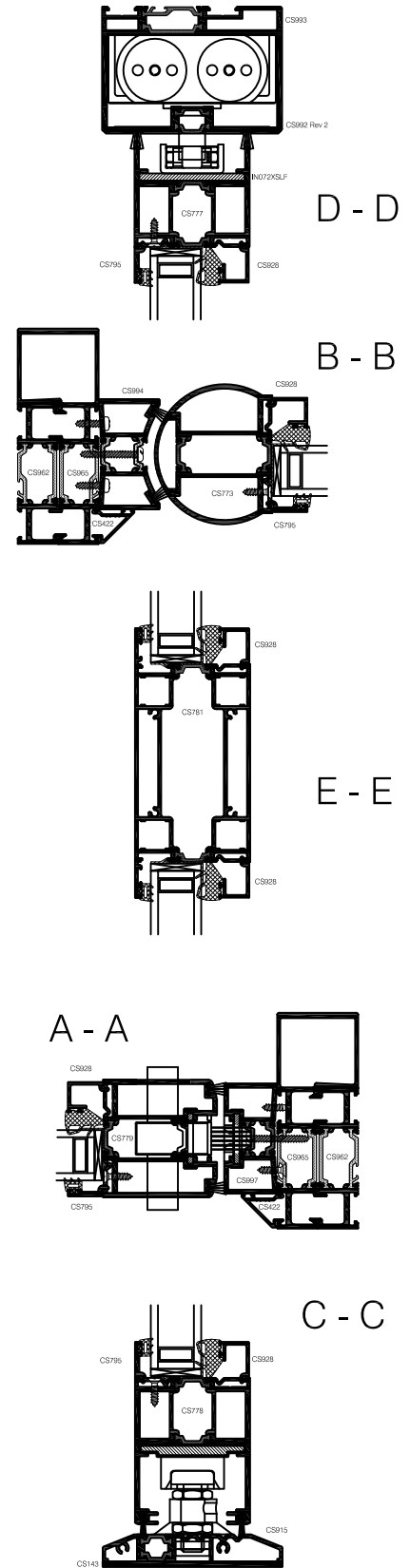
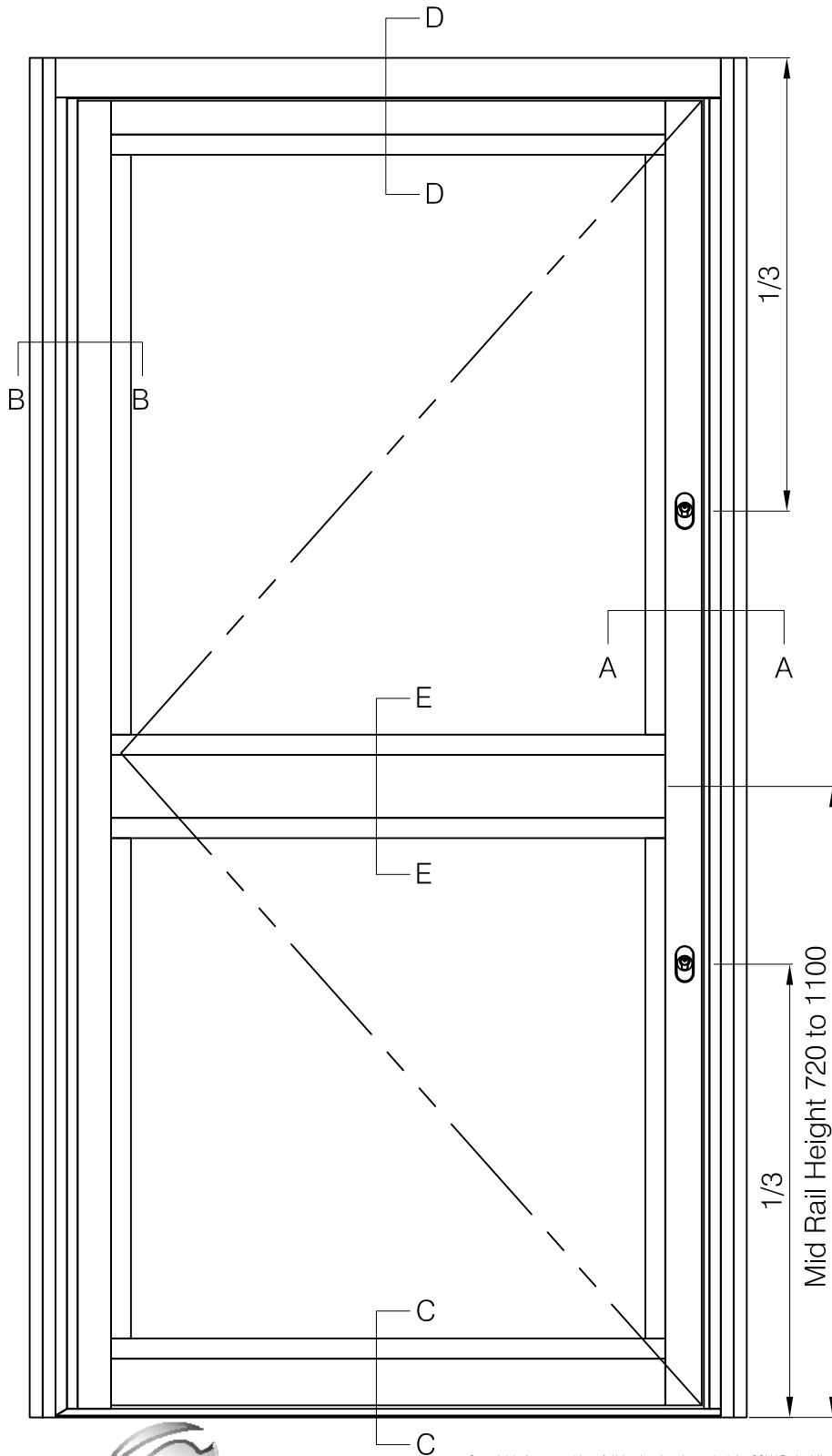


comar
ARCHITECTURAL ALUMINIUM SYSTEMS



THE PARKSIDE GROUP LTD
UNIT 5 ° THE WILLOW CENTRE
17 WILLOW LANE ° MITCHAM
SURREY ° CR4 4NX
Tel: 020-8685 9685 Fax: 020-8687 1142
Email: technical@parksidegrp.co.uk
Web Site: <http://www.comar-alu.co.uk>

SCALE	1: 12	© A4
DATE	01/06/11	
DRAWN	VM / CAD	
DRG. No.	C7Pi-CD-1.09	R0

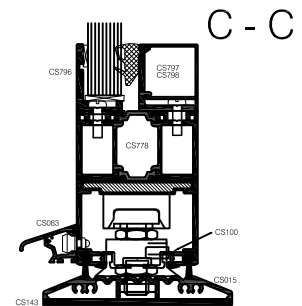
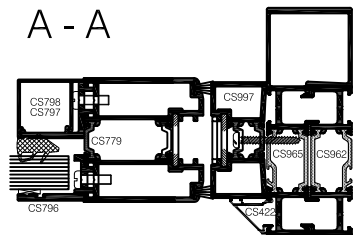
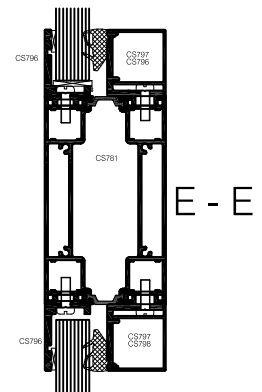
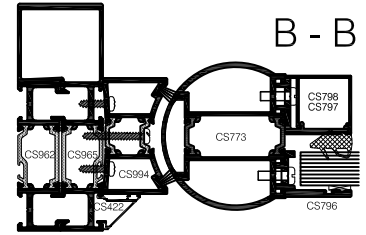
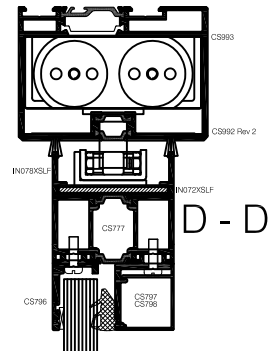
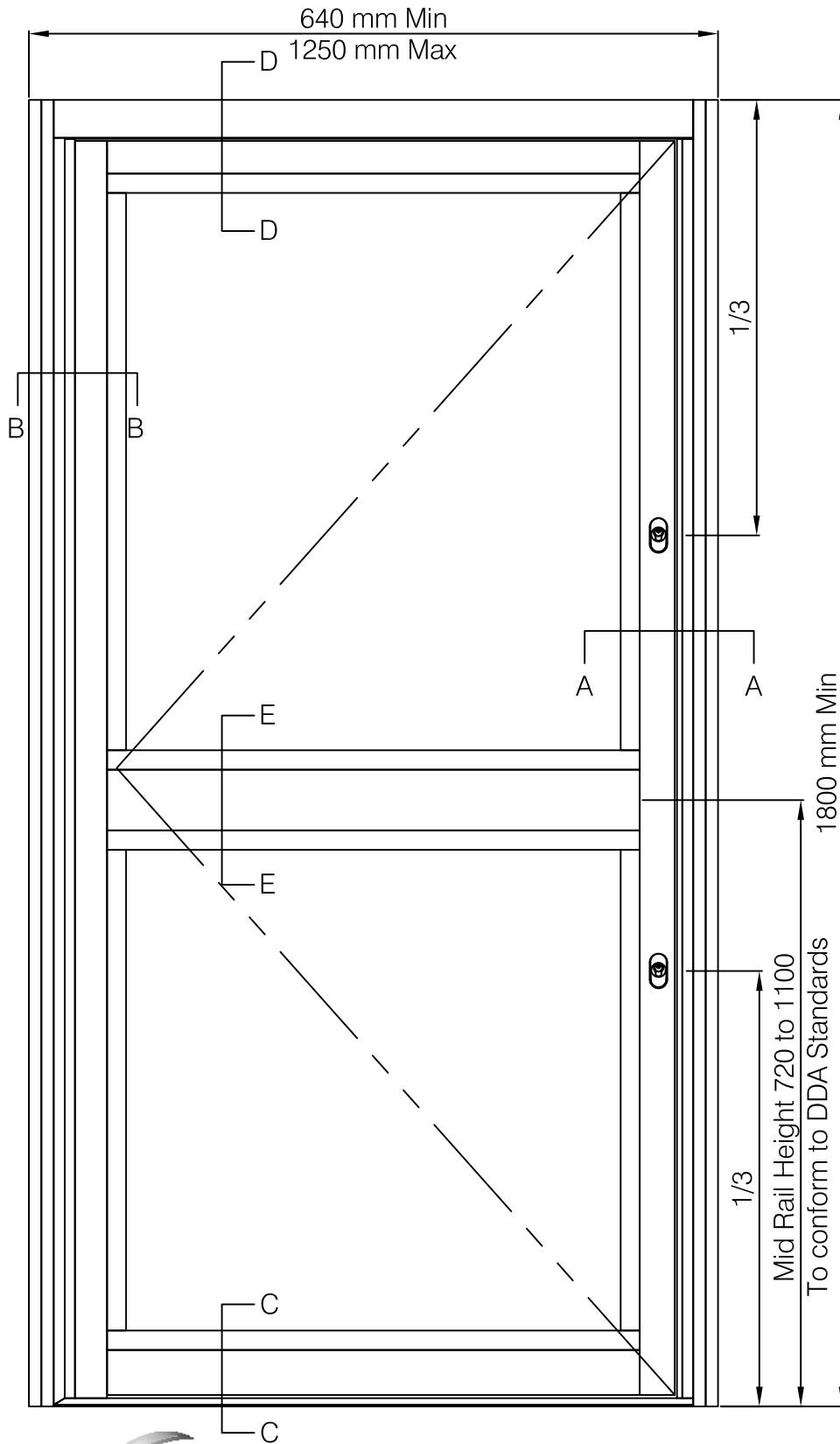


Copyright & ownership of this drawing is vested in COMAR Architectural Aluminium Systems, whose prior written consent is required for its use, reproduction or publication to any third party. All other rights reserved. Subject to modifications without prior notification

SCALE	NTS	@ A4
DATE	25/04/17	
DRAWN	VM / KD	
DRG. No.	C7Pi-CD-1.10	R2

comar 7P.i

TITLE	POLYAMIDE INSULATED DOORS COMAR 7Pi COMMERCIAL DOOR	SHEET No. 1.11
SUB TITLE	SECURITY OPTION OUTER FRAME AND DOOR FRAME WORKING DRAWING / DIAGRAM	

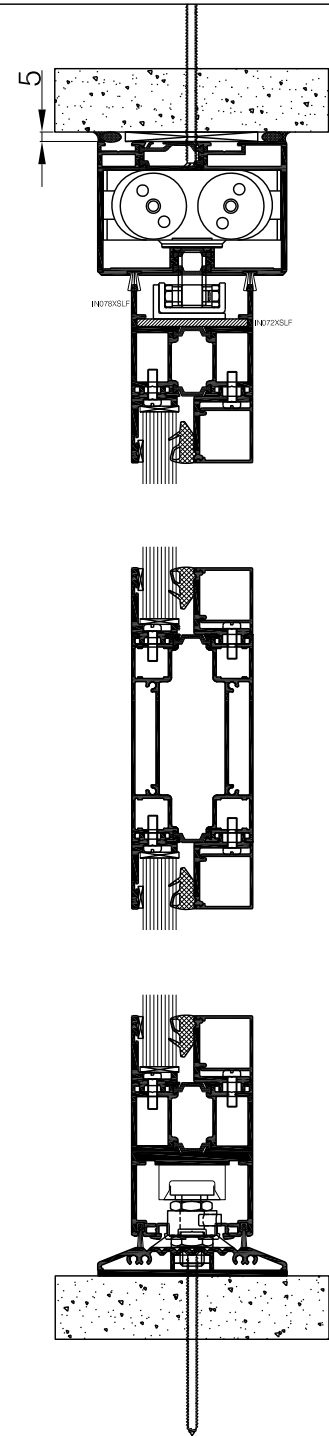
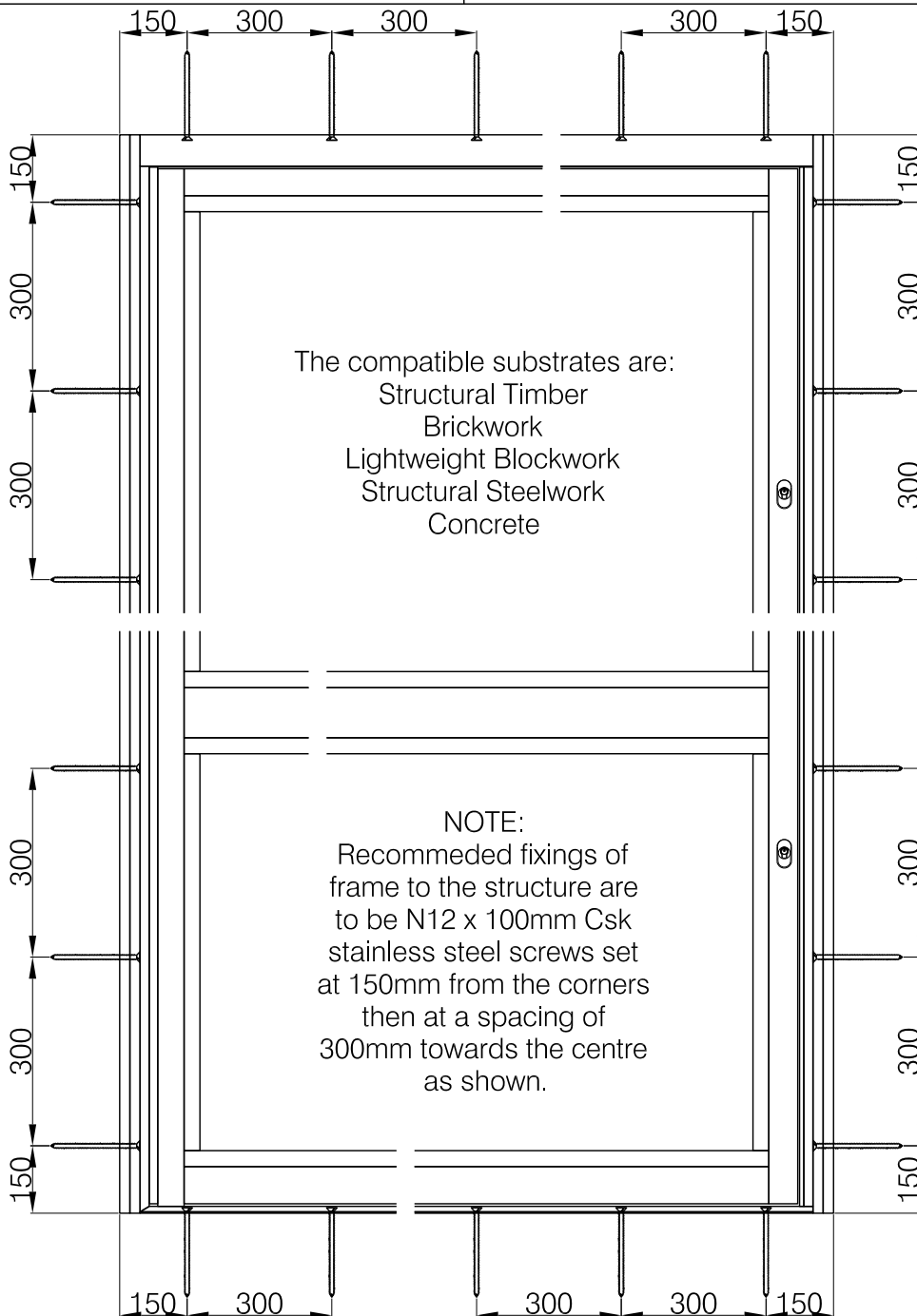


Copyright & ownership of this drawing is vested in COMAR Architectural Aluminium Systems, whose prior written consent is required for its use, reproduction or publication to any third party. All other rights reserved. Subject to modifications without prior notification

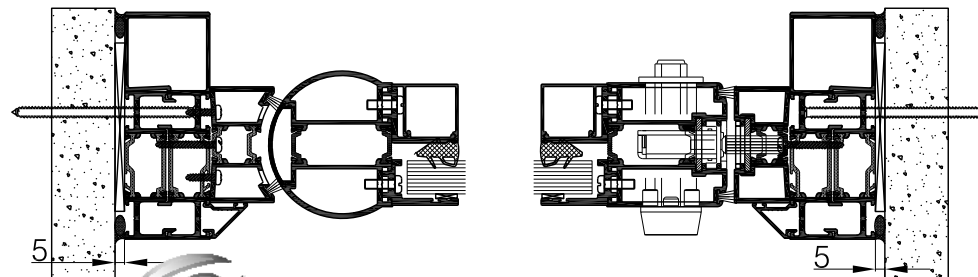


THE PARKSIDE GROUP LTD
 UNIT 5 ° THE WILLOW CENTRE
 17 WILLOW LANE ° MITCHAM
 SURREY ° CR4 4NX
 Tel: 020-8685 9685 Fax: 020-8687 1142
 Email: technical@parksidegrp.co.uk
 Web Site: http://www.comar-alu.co.uk

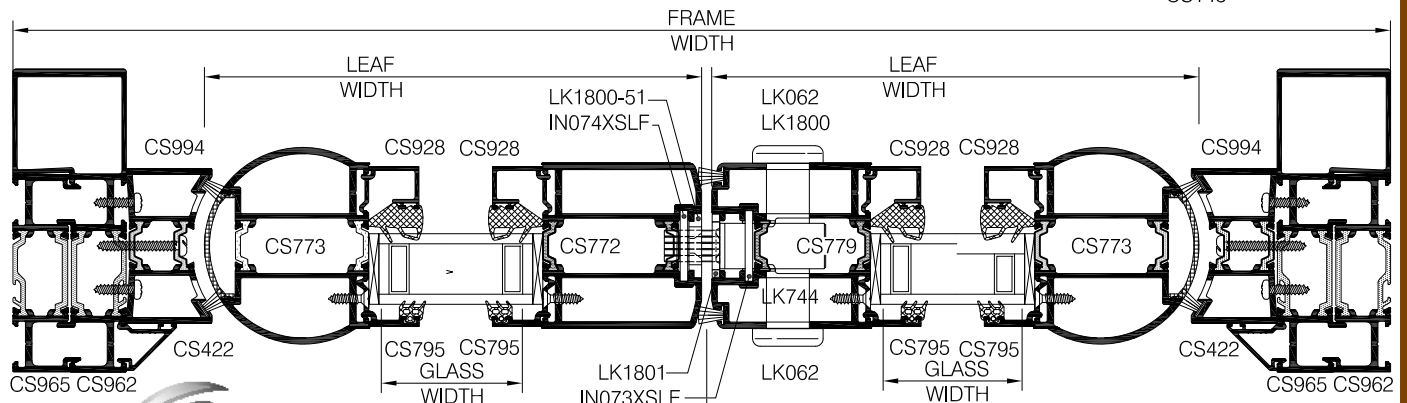
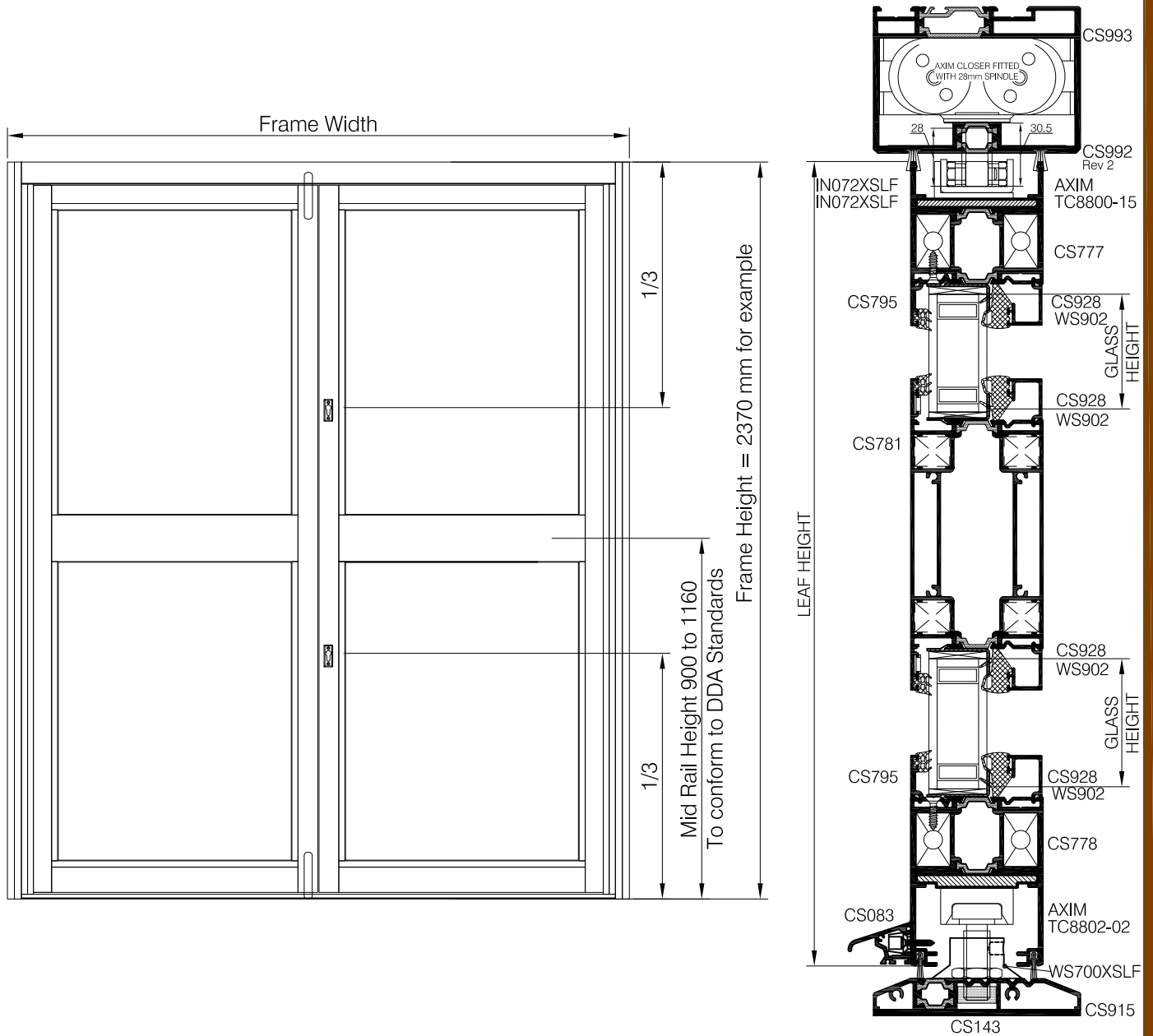
SCALE	NTS	@ A4
DATE	25/04/17	
DRAWN	VM / KD	
DRG. No.	C7Pi-CD-1.11	R2



NOTE:
The maximum permissible gap between the frame and substrate is 8mm. Suitable plastic packers to be used.



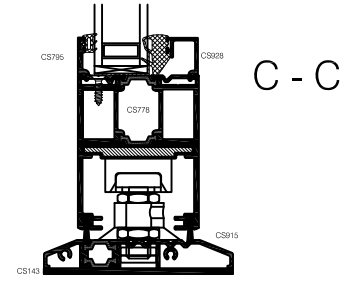
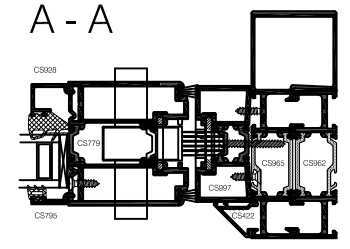
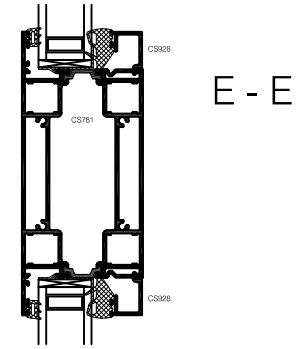
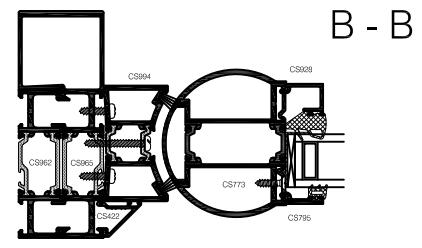
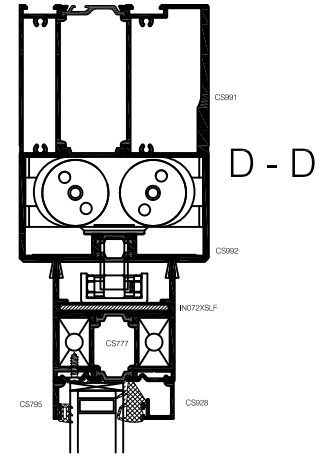
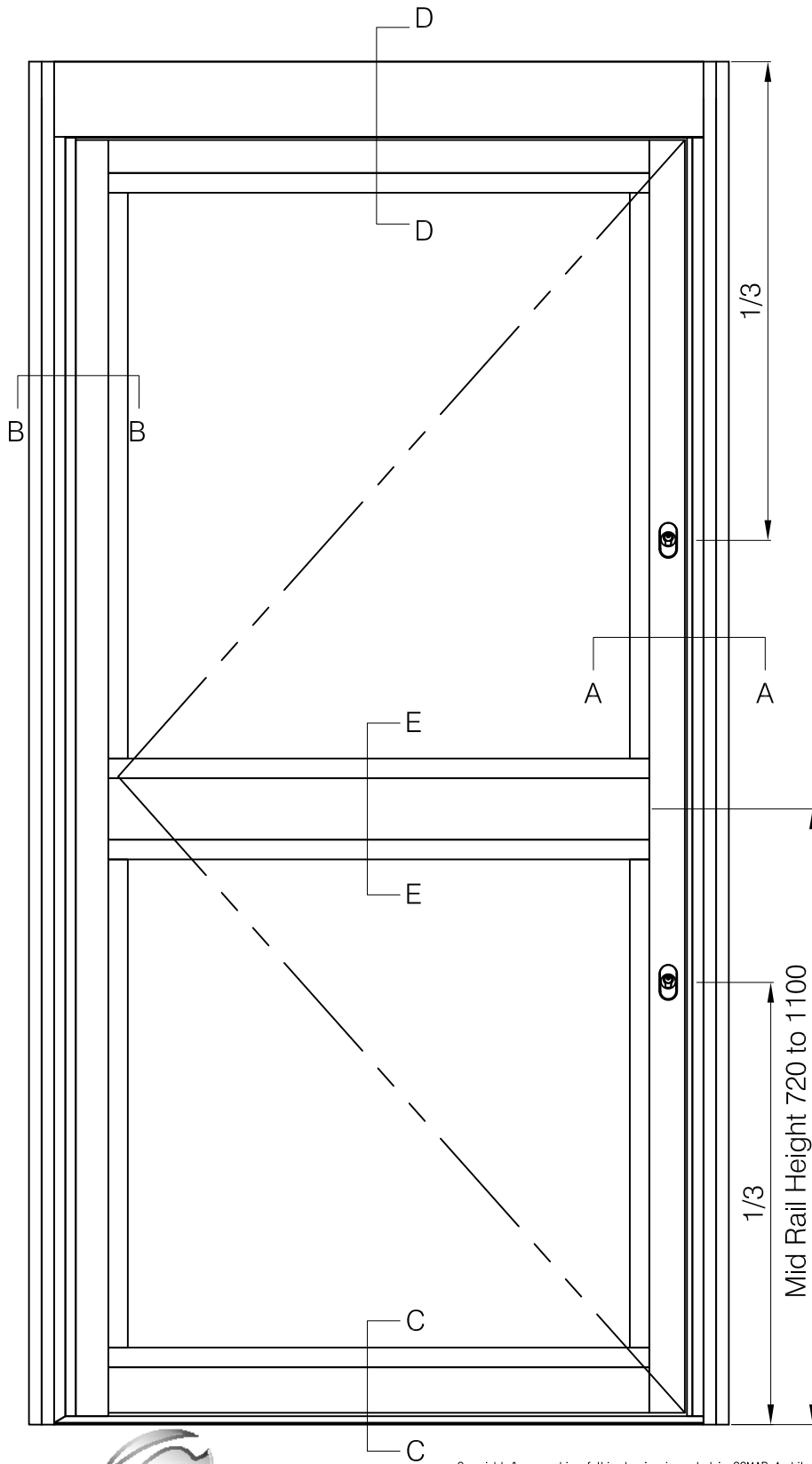
Copyright & ownership of this drawing is vested in COMAR Architectural Aluminium Systems, whose prior written consent is required for its use, reproduction or publication to any third party. All other rights reserved. Subject to modifications without prior notification



Copyright & ownership of this drawing is vested in COMAR Architectural Aluminium Systems, whose prior written consent is required for its use, reproduction or publication to any third party. All other rights reserved. Subject to modifications without prior notification.

comar 7P.i

TITLE	POLYAMIDE INSULATED DOORS COMAR 7Pi COMMERCIAL DOOR	SHEET No. 1.14
SUB TITLE	STANDARD OPTION OUTER FRAME AND DOOR FRAME WORKING DRAWING / DIAGRAM	



Copyright & ownership of this drawing is vested in COMAR Architectural Aluminium Systems, whose prior written consent is required for its use, reproduction or publication to any third party. All other rights reserved. Subject to modifications without prior notification



THE PARKSIDE GROUP LTD
 UNIT 5 ° THE WILLOW CENTRE
 17 WILLOW LANE ° MITCHAM
 SURREY ° CR4 4NX
 Tel: 020-8685 9685 Fax: 020-8687 1142
 Email: technical@parksidegrp.co.uk
 Web Site: http://www.comar-alu.co.uk

SCALE	NTS	@ A4
DATE	21/03/17	
DRAWN	NS/CAD	
DRG. No.	C7Pi-CD-1.10	R0