



## CONTENTS

### COMAR 7P./ COMMERCIAL DOOR

#### PART 1 INTRODUCTION / SPECIFICATION / BROADSHEETS

Introduction . . . . .	Page No. 1.01
System Specification . . . . .	1.02
Broadsheet Profiles . . . . .	1.03-1.04
Broadsheet Ancillaries . . . . .	1.05-1.06
Size Limitations . . . . .	1.06.1-1.07.02
Lock and Mid Rail Position . . . . .	1.08
Bead Screw Positions . . . . .	1.09
Working Drawing . . . . .	1.10-1.11
Fixing Details to Structure . . . . .	1.12
PAS 24 Security Option Tested Door. . . . .	1.14

#### PART 2 FULL SIZE SECTIONS

Threshold Details . . . . .	2.01 - 2.02
Head Details . . . . .	2.03 - 2.04.2
Auto Door Head Details . . . . .	2.05
Jamb Details . . . . .	2.06 - 2.09
Meeting Stile Details. . . . .	2.10 - 2.11
Midrail Details . . . . .	2.12 - 2.13
Jamb Detail - Increased Deep Lock Stile . . . . .	2.14
Jamb Detail - Panic Device Side Detail . . . . .	2.17

#### PART 3 FABRICATION

Cutting Lists . . . . .	3.01 - 3.08
Assembly Details . . . . .	3.09 - 3.12
Header Bar/Plate Preparation Details. . . . .	3.13
Top & Bottom Preparation Details . . . . .	3.14
Concealed Closer Preparation Details . . . . .	3.15 - 3.17
Threshold Preparation . . . . .	3.18
Lock Preparation . . . . .	3.19 - 3.24
Flush Bolt Preparation . . . . .	3.25 - 3.26
Cleat Assembly & Preparation . . . . .	3.27 - 3.28
MidRail Preparation . . . . .	3.29
Keep Assembly . . . . .	3.30
Bead Preparation . . . . .	3.31
Panic Exit Preparation . . . . .	3.32 - 3.38
Electric Strike Option . . . . .	3.39 - 3.45
Threshold Preparation . . . . .	3.46 - 3.47
Panic Exit LH-745 Preparation . . . . .	3.48
Lock and Keep Preps . . . . .	3.49 - 3.55
Tooling . . . . .	3.56 - 3.61



## CONTENTS

### COMAR 7P./ COMMERCIAL DOOR

#### PART 4 GLAZING

Standard Option .....	4.01 - 4.03
Security Option .....	4.04



## INTRODUCTION

### COMAR 7P./ COMMERCIAL DOOR

Exhibits the highest standards of design appeal, high strength and durability for today's more security conscious market and demonstrates a continuation of Comar's innovative approach to the design of Architectural Aluminium products.

The specific choice door profiles and ancillary equipment is designed for fabricators to meet the requirements of the latest Building Regulations, the Disability Discrimination Act and is tested to PAS24 BS/EN 1627-RC3 with two security locks (both engaged) Profiles are thermally broken with 'rolled in' polyamide profiles, to deliver an improved thermal performance. This allows specifiers to deliver a high performance door to the security conscious discerning customer.

The door can integrate with all Comar systems and allows for flexibility of design on projects in the commercial market.

All technical aspects of the range are covered in the product manual and further information is available from Comar's Technical Department for specific contract requirements.

This manual is copyright and ownership is vested in Comar Architectural Aluminium Systems whose prior written consent is required for its use.

The manual reproduction or publication to any third party that is not authorised in writing by Comar Architectural Aluminium Systems is strictly forbidden.

Telephone : 020 8685 9685  
Fax No: 020 8646 5096  
e-mail: [technical@parksidegroup.co.uk](mailto:technical@parksidegroup.co.uk)  
Web Site: <http://www.comar-alu.co.uk>

Registered number: 921619.

Registered office: The Parkside Group Ltd  
Unit 5, The Willow Centre.  
17 Willow Lane. MITCHAM.  
Surrey. CR4 4NX UK



## **SPECIFICATION**

### **COMAR 7P./ COMMERCIAL DOOR**

Exhibits the highest standards of design appeal, strength and durability for today's security conscious commercial market.

#### **MATERIALS**

Aluminium alloy extruded profiles of 6063 T5 or T6 to BS EN 755 and BS EN 12020.

#### **FINISHES**

Aluminium profiles are finished to the following specifications:  
Silver, Bronze and Black anodising to BS EN 12373-1:2001 or BS 3987  
Liquid organic coating to BS 4842 or Polyester powder coating to BS 6496

#### **CONSTRUCTION**

Rails are square cut and design of stiles makes an almost invisible joint.  
Stiles incorporate twin woolpile grooves to by-pass the lock.  
A secure profile concealed under the door houses twin brush seals providing double weathering and draught proofing around the perimeter of the door. Low ramp drained or thermally broken thresholds are available.

#### **GLAZING**

The standard option uses a wide range of glazing beads and gaskets allow for a choice of glazing thickness from 9mm to 45mm.  
The security option Glass to be used is Intruder Resistant Glass that conforms to LPS 1270 (Loss Prevention Standard) and is set dry against the glazing tape and retained by mechanically fixed beads.

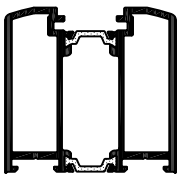
#### **SPECIFICATION**

The door conforms to the aluminium industry standards of the trade association i.e. The Council for Aluminium in Building (CAB). The door also conforms to many of the requirements for aluminium windows specification BS4873.  
A single door using this manual design has been security tested to PAS 24 BS/EN 1627-RC3 fitted with two locks (both engaged).

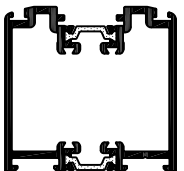
All technical aspects for this product are covered in the product manual and further information is available from Comar's Technical Department for specific contract requirements.

PROFILE SECTIONS BROADSHEET

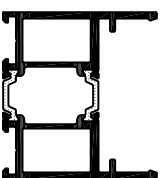
(T.B) = THERMALLY BROKEN PROFILE



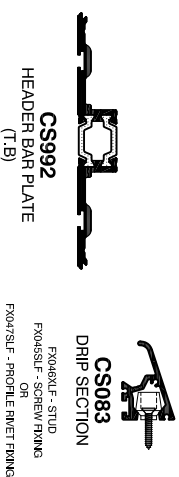
**CS772**  
DOOR STILE, PLAIN  
(T.B)



**CS771**  
DOOR STILE  
(T.B)



**CS777**  
DOOR TOP  
RAIL (T.B)



**CS992**  
HEADER BAR PLATE  
(T.B)

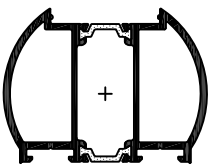
FOURKULF - STUD  
FOURSELF - SCREW FIXING  
OR  
FOURSELF - PROFILE INLET FIXINGS



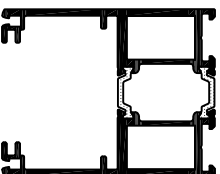
**CS083**  
DRIP SECTION



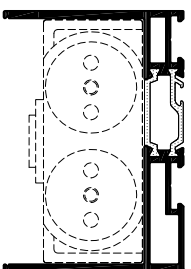
**CS997**  
MULLION ADAPTOR  
(T.B)



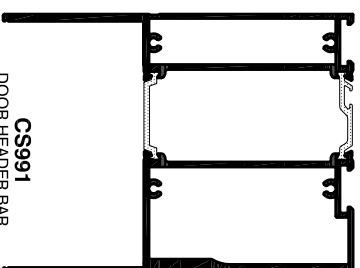
**CS773**  
FINGER GUARD DOOR  
STILE (T.B)



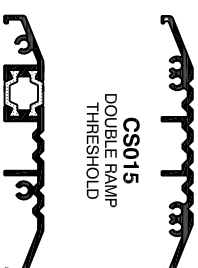
**CS778**  
DOOR BOTTOM  
RAIL (T.B)



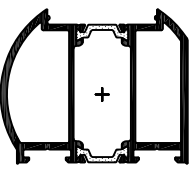
**CS993**  
HEADER BAR  
(T.B)



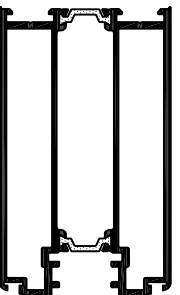
**CS991**  
DOOR HEADER BAR



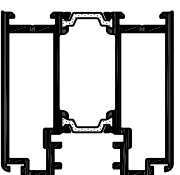
**CS015**  
DOUBLE RAMP  
THRESHOLD



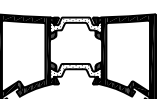
**CS774**  
FINGER GUARD DOOR  
STILE, PANIC EXIT  
(T.B)



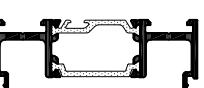
**CS775**  
DOOR STILE  
WOODPILE (T.B)



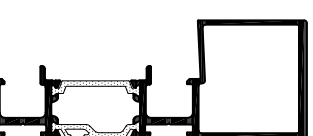
**CS779**  
DOOR STILE  
WOODPILE (T.B)



**CS994**  
DOOR FINGER GUARD,  
70MM PIVOT POINT  
(T.B)



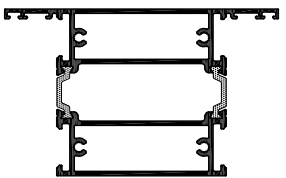
**CS962**  
78mm MULLION  
INFILL PLATE  
NO LEG (T.B)



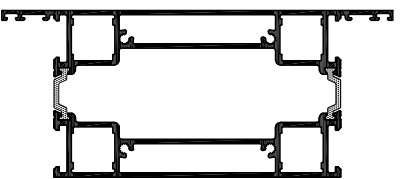
**CS965**  
MULLION INTERNAL  
BOX (T.B)



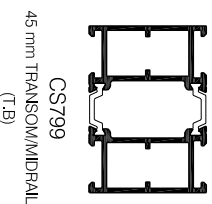
**PROFILE SECTIONS BROADSHEET**



CS780  
105mm  
TRANSOM/MIDRAIL  
(T.B.)



CS781  
150mm TRANSOM/MIDRAIL  
(T.B.)



CS799  
45 mm TRANSOM/MIDRAIL  
(T.B.)



CS795  
STANDARD BEAD



CS796  
SECURITY BEAD  
EXTERNAL



CS797  
SECURITY BEAD  
INTERNAL



CS798  
SECURITY BEAD  
COVER



CS925  
GLAZING BEAD



CS926  
GLAZING BEAD



CS927  
GLAZING BEAD



CS928  
GLAZING BEAD



CS929  
GLAZING BEAD



CS930  
GLAZING BEAD



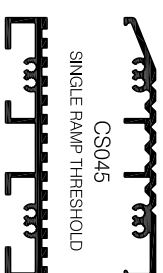
CS422  
GLAZING BEAD



CS100  
RAIL BRUSH  
WOOLPILE CARRIER



CS734  
BOTTOM RAIL PLATE  
47.8 x 3 mm



CS045  
SINGLE RAMP THRESHOLD



CS143  
100 x 3mm FLAT



CS715  
SQUARE RAMP THRESHOLD



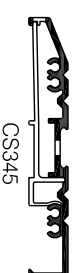
CS346  
DRAINAGE TRAY  
(FOR CS315, 345, 347, 348)



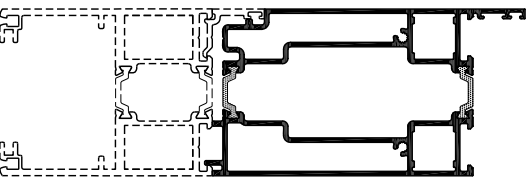
CS315  
DOUBLE RAMP DRAINED  
THRESHOLD



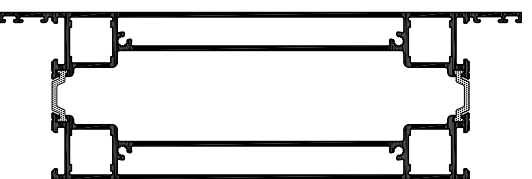
CS072  
DRAINAGE TRAY  
(THERMALLY BROKEN OR PLAIN)



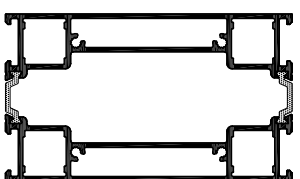
CS345  
SINGLE RAMP DRAINED  
THRESHOLD



CS784  
100mm BOTTOM RAIL  
EXTENSION (T.B.)



CS782  
200mm  
TRANSOM/MIDRAIL  
(T.B.)



CS783  
110mm SECURITY  
OPTION DOOR/MIDRAIL  
(T.B.)





GK906  
6MM GLAZING WEDGE



GK908  
8MM GLAZING WEDGE



GK910  
10MM GLAZING WEDGE



GK422  
2MM ARROW HEAD  
GASKET



GK425  
5MM ARROW HEAD  
GASKET



WP012  
WOOLPILE  
12MM BRUSH SEAL



WS916XSLSF  
ALIGNMENT FOR  
TRANSOM / MULLION



SE003  
Quickslick 3mm  
Glazing Tape



WP007  
WOOLPILE  
7MM BASE 10MM LONG



FX035XSLSF  
N8 x 16mm Pan Head Stainless  
Steel Self Tapping Screws



FX032XSLSF  
N8 x 20mm Pan Head Stainless  
Steel Self Tapping Screws



IN075XSLSF  
CLEAT BACK PLATE



FX039XSLSF  
N8 x 29mm Csk Stainless  
Steel Self Tapping Screws



FX034XSLSF  
N8 x 16mm Csk Self  
Tapping Screw



WS918XKIT  
14.5 mm MIDRAIL CLEAT  
1 x M5 x 10 mm GRUB SCREW  
1 x M6 x 7 mm Csk SCREW



FX802XSLSF  
M5 x 16mm Pan Head Stainless  
Steel Machine Screws



FX800XSLSF  
M5 x 20mm Csk Stainless Steel  
Machine Screws



FX7003 XSLSF  
No.6 x 16 Pan Head Self Drill



FX613 XSLSF  
M6 x 10mm Csk MACHINE  
SCREW



FX613 XSLSF  
M6 x 10mm Csk MACHINE  
SCREW

NC700XSLSF  
FIXING CLEAT  
FOR TOP/BOTTOM RAILS

FX213XSLSF  
M8 x 65mm  
SOCKET HEAD BOLT

FX795XSLSF  
Handle Fixing 95mm  
Csk Stainless Steel  
Machine Screws

FB-62-041  
FLUSH BOLT  
GUIDE BLOCK

IN077XSLSF  
FLUSH BOLT  
FIXING PLATE

Part Of AXIM  
TC-8800-03

AXIM CLOSER  
WITH a 15mm  
EXTENDED  
SPINDLE

M6 x 25mm CSK  
FX077XSLSF

FB-6501-F18  
AXIM FLUSH BOLT

IN070XSLSF  
BOTTOM PIVOT  
FIXING PLATE

TC-8800-15  
END LOAD DRIVE  
ARM

IN015XSLSF  
SILL CONNECTOR  
and SUPPORT

IN078XSLSF  
SECURITY TOP  
ARM ANGLE

IN072XSLSF  
TOP ARM FIXING  
PLATE

CL091  
DOOR STOP

FX082XSLSF  
M10 STUD FOR  
PUSH HANDLE

IN001XSLSF  
SUPPORT CHANNEL  
FOR HEADER BAR

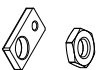
IN010XSLSF  
SECURITY PLATE

GK773  
ANTI FINGER TRAP  
TRIM

GK754  
DOOR CAVITY FILLER

Part of AXIM G KIT

AXIM TC-8800 - 03 A-KIT



TC-9500-17  
BOTTOM PIVOT  
ASSEMBLY



WS700XSLSF  
BOTTOM PIVOT  
PROTECTOR



AC023XSLSF  
LOCK BODY  
SPACER



AC024XSLSF  
HEX NUT LOCK  
BODY SPACER

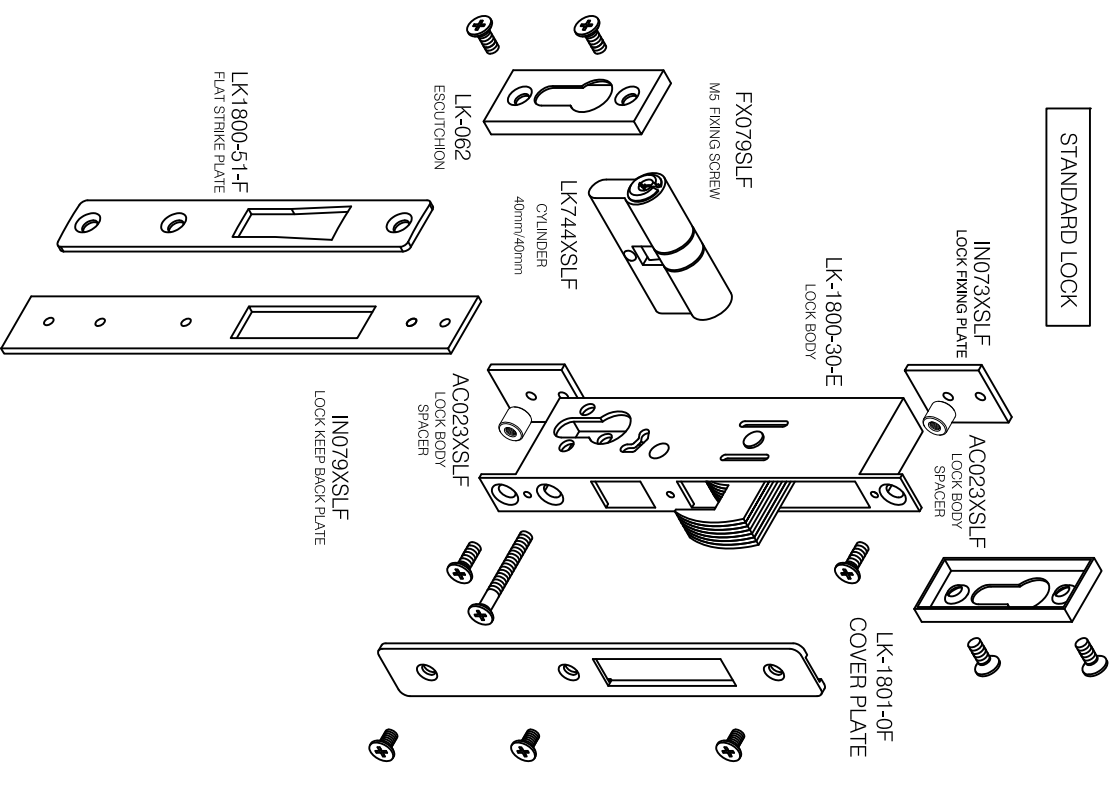
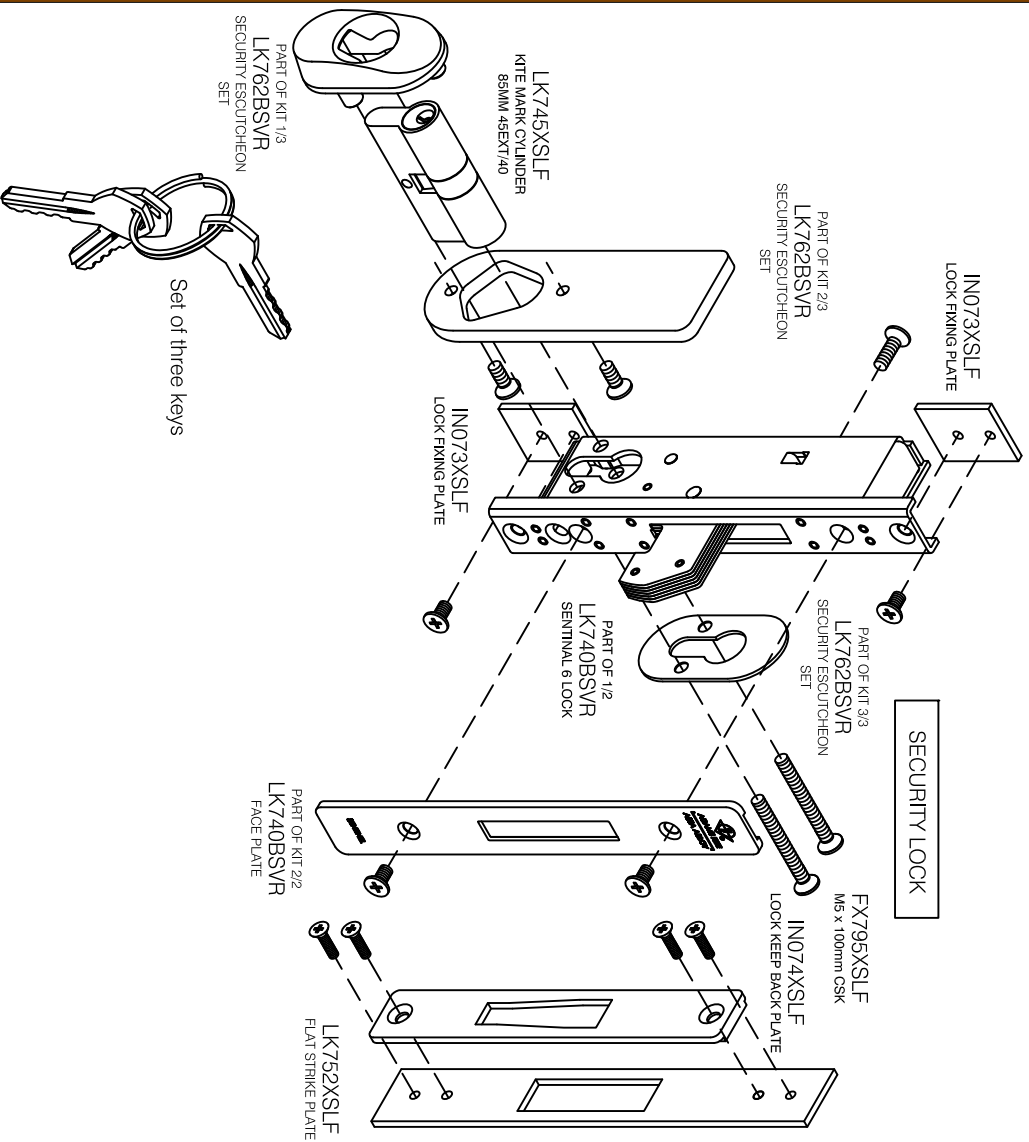


Copyright & ownership of this drawing is vested in COMAR Architectural Aluminium Systems. Where prior written consent is required for the use, reproduction or modification of any third party. All other rights reserved.

THE PARKSIDE GROUP LTD  
UNIT 5, 3 THE WILLOW CENTRE  
17 WILLOW LANE, MINTHAM  
LONDON SW14 4NP  
Tel: 0204281895 Fax: 02049871142  
Email: technical@parkside.co.uk  
Web Site: <http://www.comarsa.co.uk>

SCALE	NTS	@A4
DATE	10/04/17	
DRAWN	KP/NBA	
DRG. No.	C7P1-CD-1.05	R5

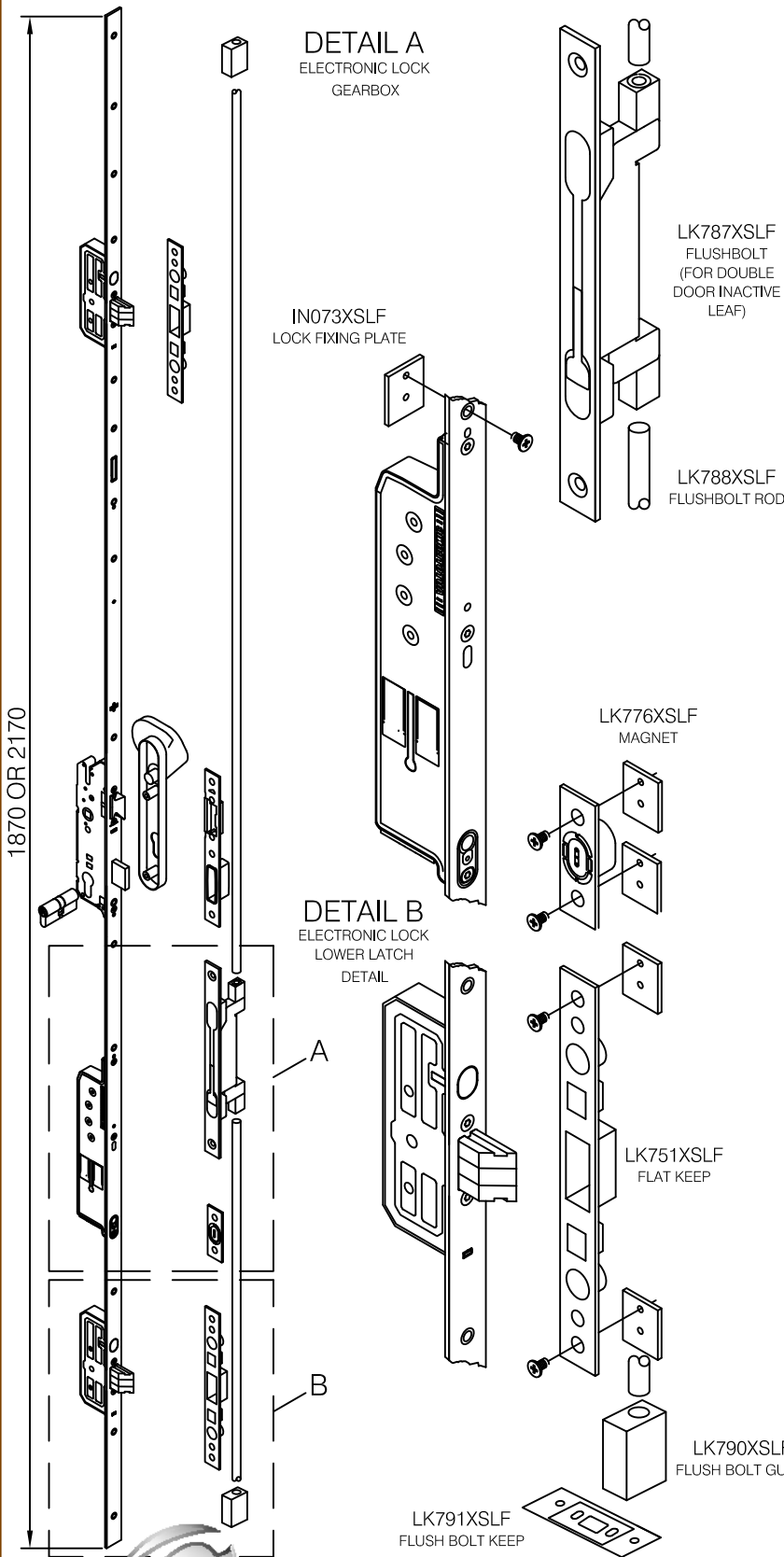
ANCILLARIES BROADSHEET



SCALE	N1S	@A
DATE	28-03-2017	
DRAWN	VM / KD	
DRG. No.	C7P1-CD-1.06	R2



**PROJECT  
ONLY**

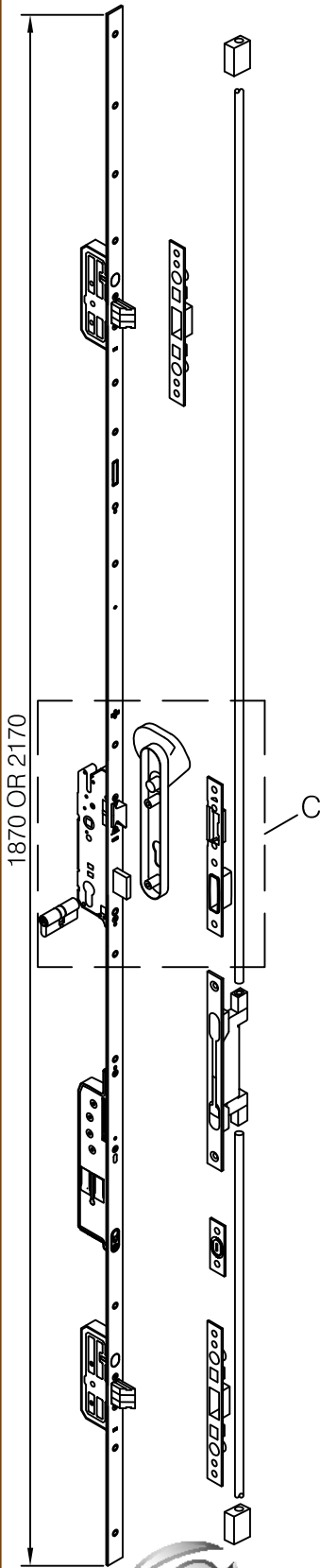


ELECTRONIC CONTROL OPTIONS	
Description	Part No
Radio Receiver Module with Master Key	LK780XSFL
Cable 10 metre 6 pin	LK781XSFL
RAIL transformer	LK782XSFL
Cable duct	LK783XSFL
Radio push button	LK784XSFL
Cable protection sleeves	LK785XSFL
Cable 3 core 4m with 6 pin plug	LK794XSFL
Cable 3 core 8m with 1 plug	LK795XSFL
Rail mounted control unit & 1 master key	LK796XSFL

Note: Please reference  
Electronic Locking  
Document MBW15 for  
wiring details and options

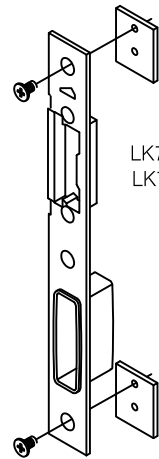
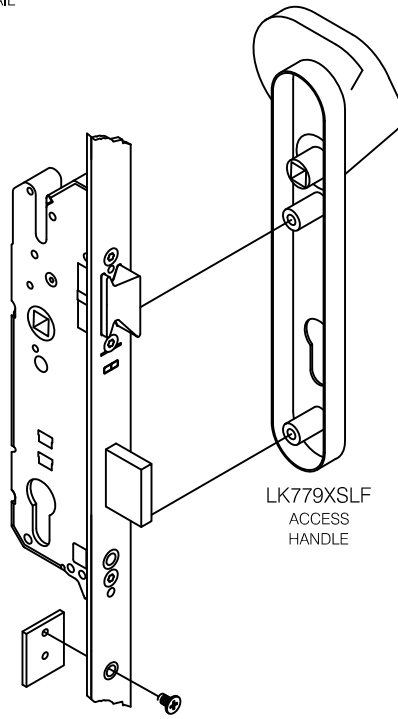
Copyright & ownership of this drawing is vested in COMAR Architectural Aluminium Systems, whose prior written consent is required for its use, reproduction or publication to any third party. All other rights reserved. Subject to modifications without prior notification.

**PROJECT  
ONLY**



**DETAIL C**  
CENTRE LATCH AND  
DEADBOLT DETAIL

LK768XSFLF  
1870mm-2170mm High  
LK769XSFLF  
2170mm-2400mm High  
ELECTRONIC LOCK

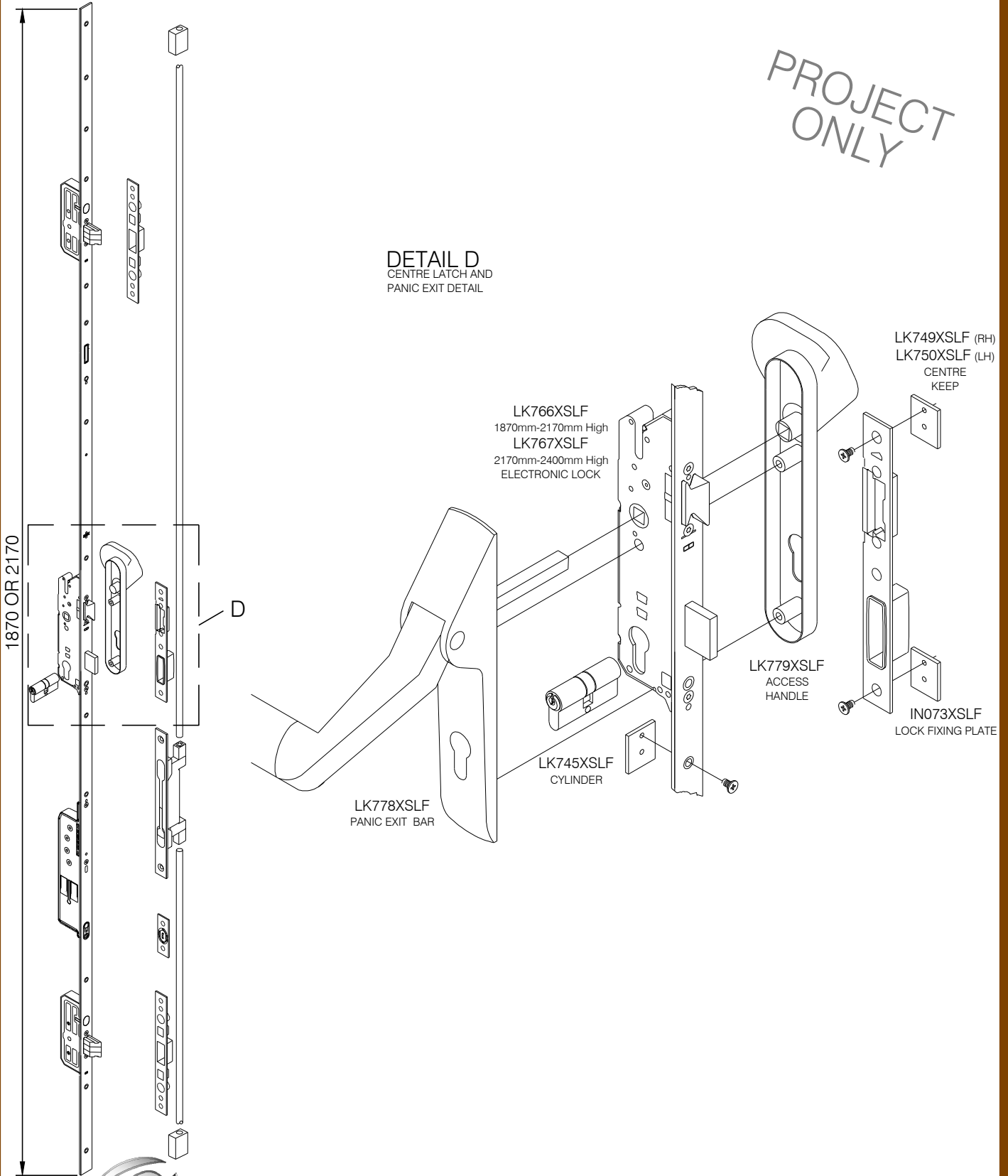


Copyright & ownership of this drawing is vested in COMAR Architectural Aluminium Systems, whose prior written consent is required for its use, reproduction or publication to any third party. All other rights reserved. Subject to modifications without prior notification

SCALE	NTS	© A4
DATE	20/03/17	
DRAWN	NRA	
DRG. No.	C7Pi-CD-1.06.02 R1	

PROJECT  
ONLY

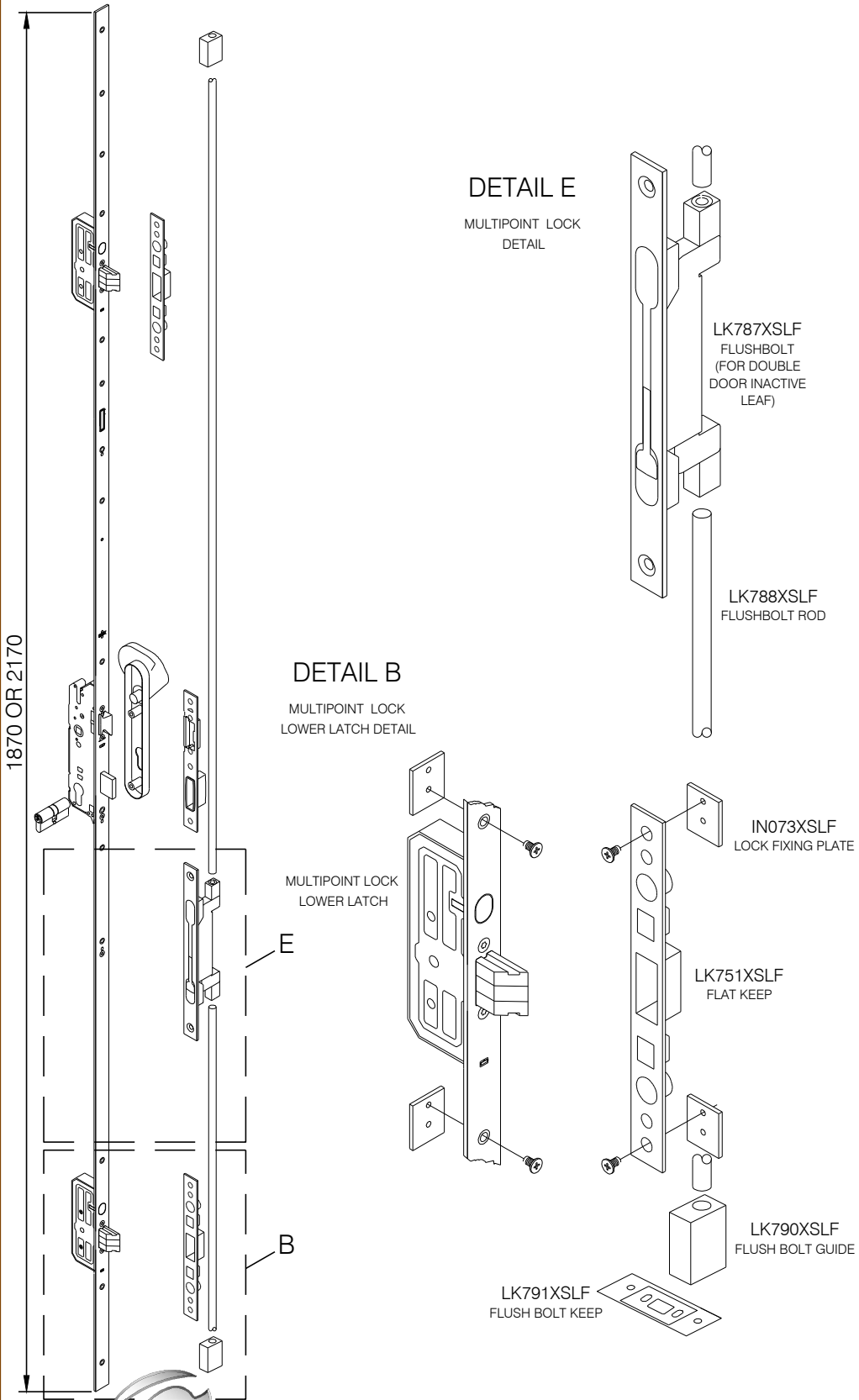
**DETAIL D**  
CENTRE LATCH AND  
PANIC EXIT DETAIL



Copyright & ownership of this drawing is vested in COMAR Architectural Aluminium Systems, whose prior written consent is required for its use, reproduction or publication to any third party. All other rights reserved. Subject to modifications without prior notification

SCALE	NTS	© A4
DATE	20/03/17	
DRAWN	NRA	
DRG. No.	C7Pi-CD-1.06.03 R0	

PROJECT  
ONLY

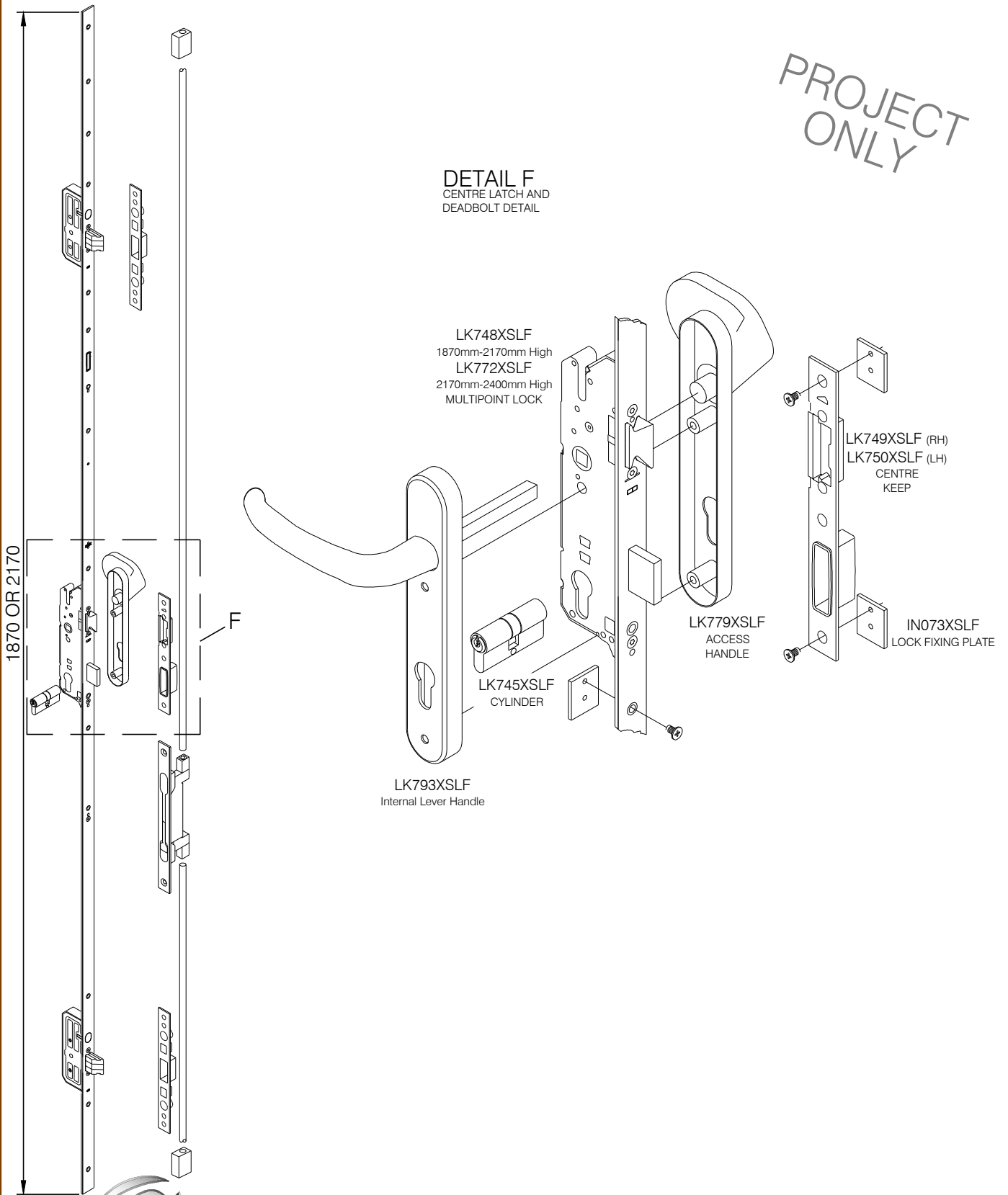


Copyright & ownership of this drawing is vested in COMAR Architectural Aluminium Systems, whose prior written consent is required for its use, reproduction or publication to any third party. All other rights reserved. Subject to modifications without prior notification

SCALE	NTS	© A4
DATE	20/03/17	
DRAWN	NRA	
DRG. No.	C7Pi-CD-1.06.04 R0	

PROJECT  
ONLY

**DETAIL F**  
CENTRE LATCH AND  
DEADBOLT DETAIL

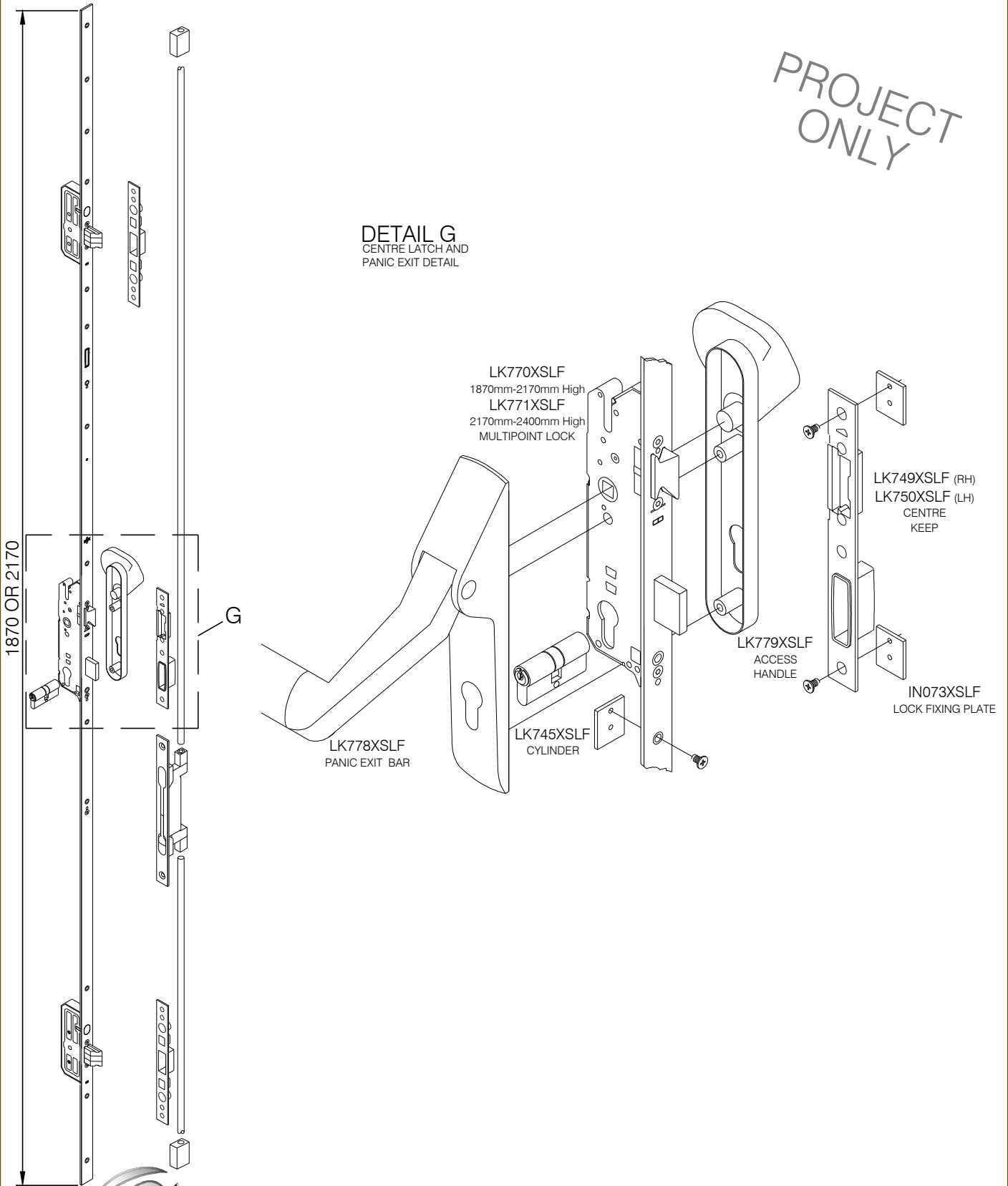


Copyright & ownership of this drawing is vested in COMAR Architectural Aluminium Systems, whose prior written consent is required for its use, reproduction or publication to any third party. All other rights reserved. Subject to modifications without prior notification

SCALE	NTS	© A4
DATE	20/03/17	
DRAWN	NRA	
DRG. No.	C7Pi-CD-1.06.05 R0	

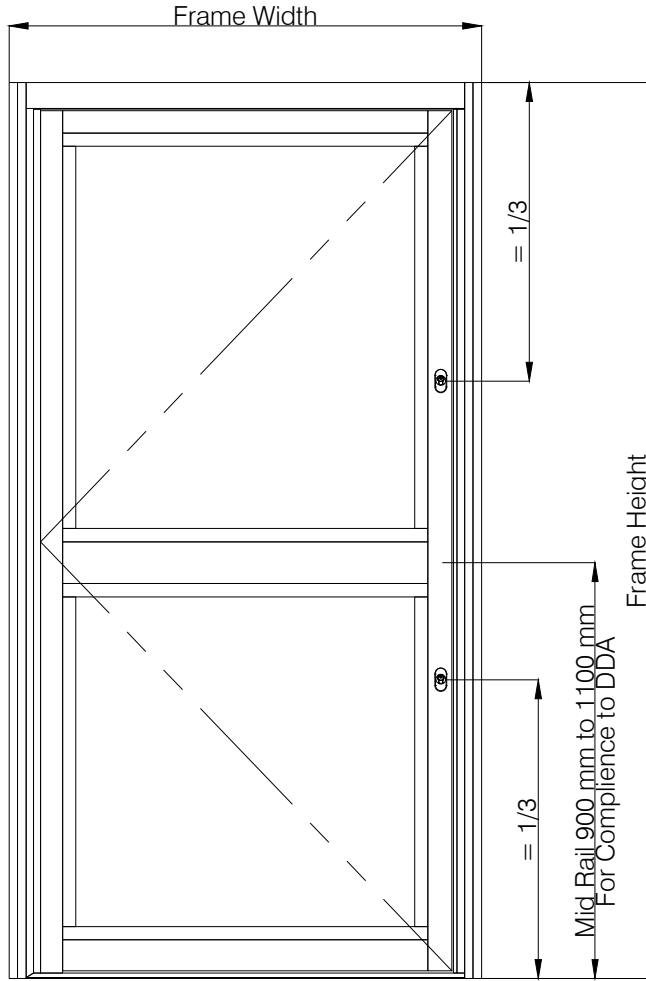
PROJECT  
ONLY

**DETAIL G**  
CENTRE LATCH AND  
PANIC EXIT DETAIL



Copyright & ownership of this drawing is vested in COMAR Architectural Aluminium Systems, whose prior written consent is required for its use, reproduction or publication to any third party. All other rights reserved. Subject to modifications without prior notification

SCALE	NTS	© A4
DATE	20/03/17	
DRAWN	NRA	
DRG. No.	C7Pi-CD-1.06.06 R0	



STANDARD AND PAS 24 SECURITY OPTION

UNIVERSAL CONCEALED TRANSOM CLOSER  
180° SWING AND DELAYED ACTION  
HOLD OPEN OPTIONS AVAILABLE  
THREE CLOSING STRENGTHS AVAILABLE

AXIM TC8801-0015	8801-9015	SIZE 1
AXIM TC8802-0015	8802-9015	SIZE 2
AXIM TC8803-0015	8803-9015	SIZE 3

MAX DOOR LEAF WIDTH 1150mm    MAX DOOR LEAF HEIGHT 2400mm    MAX DOOR LEAF WEIGHT 100Kgs

SECURITY OPTION

LPS 1175 - SR2 & EN 1627 - RC3 CERTIFIED SECURITY RATED SINGLE ANTI FINGER TRAP SWING DOOR FOR BUILDINGS WITH PUBLIC ACCESS REQUIRING A FAR HIGHER THAN NORMAL DEGREE OF SECURITY

FRAME WIDTH - 640 mm to 1250mm    FRAME HEIGHT - 1800mm TO 2370mm    FRAME WEIGHT - 90Kgs



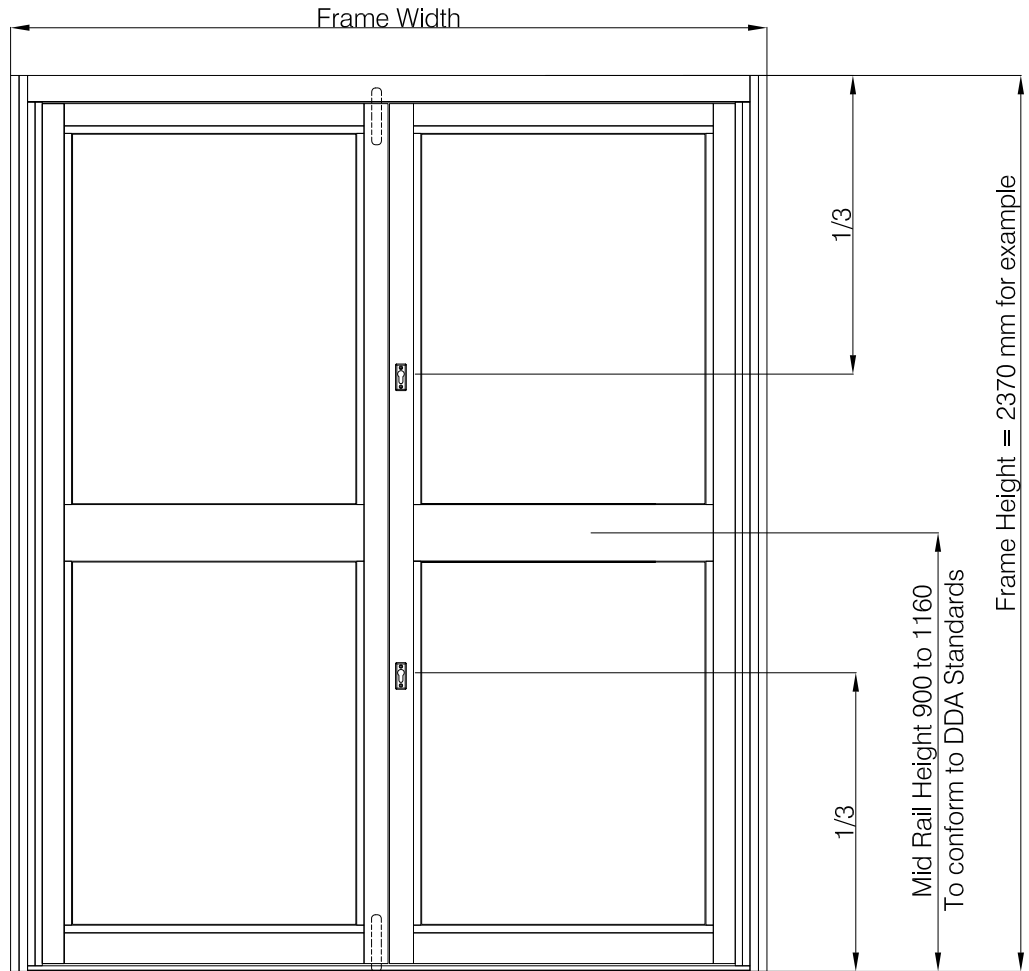
**comar**  
ARCHITECTURAL ALUMINIUM SYSTEMS



Copyright & ownership of this drawing is vested in COMAR Architectural Aluminium Systems, whose prior written consent is required for its use, reproduction or publication to any third party. All other rights reserved. Subject to modifications without prior notification

THE PARKSIDE GROUP LTD  
UNIT 5 ° THE WILLOW CENTRE  
17 WILLOW LANE ° MITCHAM  
SURREY ° CR4 4NX  
Tel: 020-8685 9685 Fax: 020-8687 1142  
Email: technical@parksidegrp.co.uk  
Web Site: <http://www.comar-alu.co.uk>

SCALE	1: 20	@ A4
DATE	05/02/16	
DRAWN	KP/AMR	
DRG. No.	C7Pi-CD-1.07	R2



PAS 24 SECURITY OPTION

**HARDWARE LIST:**

TRANSOM CLOSER AND BOTTOM PIVOT FOR CD	2
IN078XSLF SECURITY TOP ARM ANGLE	2
FB-6501-F18 AND FB-62-041 FLUSH BOLT (SLAVE DOOR)	2
STANDARD LOCK - PAGE C7Pi-CD-1.06 R1	2
LK745XSLF SECURITY CYLINDER	2
WS700XSLF BOTTOM PIVOT PROTECTOR	2

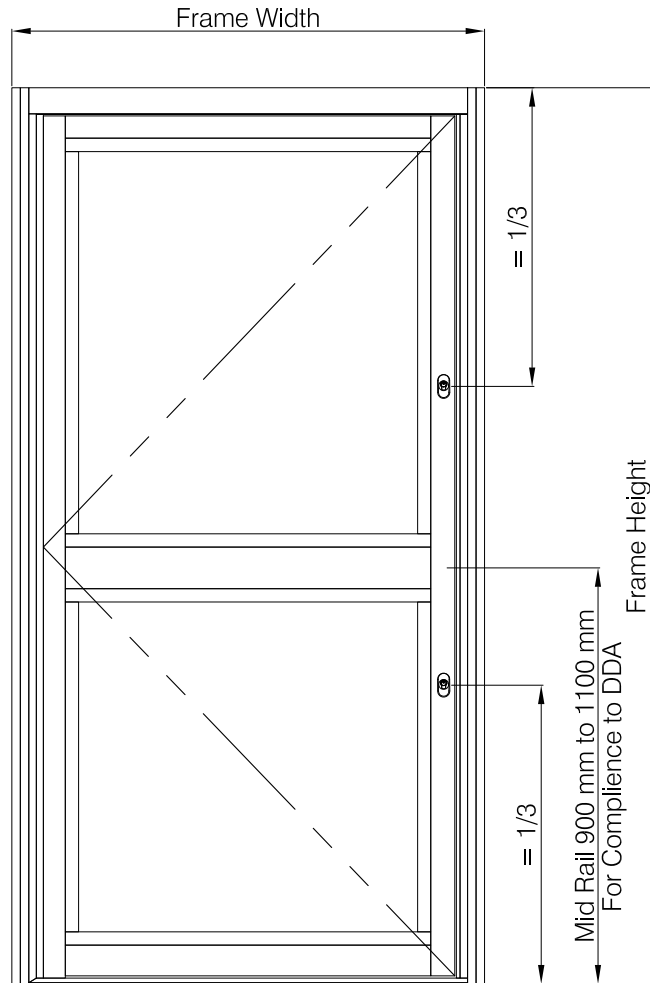
EXTERNAL CS795 BEAD FIXED IN PLACE  
WS902XSLF SECURITY GLAZING CLIP

ALL OTHER COMPONENTS AS PER STANDARD DOOR



SCALE	1: 20	© A4
DATE	25/04/17	
DRAWN	AMR / KD	
DRG. No.	C7Pi-CD-1.07.01 R0	





PAS 24 SECURITY OPTION

**HARDWARE LIST:**

TRANSOM CLOSER AND BOTTOM PIVOT FOR CD	1
IN078XSLF SECURITY TOP ARM ANGLE	1
STANDARD LOCK - PAGE C7Pi-CD-1.06 R1	2
LK745XSLF SECURITY CYLINDER	2
WS700XSLF BOTTOM PIVOT PROTECTOR	1

EXTERNAL CS795 BEAD FIXED IN PLACE  
WS902XSLF SECURITY GLAZING CLIP

ALL OTHER COMPONENTS AS PER STANDARD DOOR



SCALE	1: 20	© A4
DATE	25/04/17	
DRAWN	AMR / KD	
DRG. No.	C7Pi-CD-1.07.02	

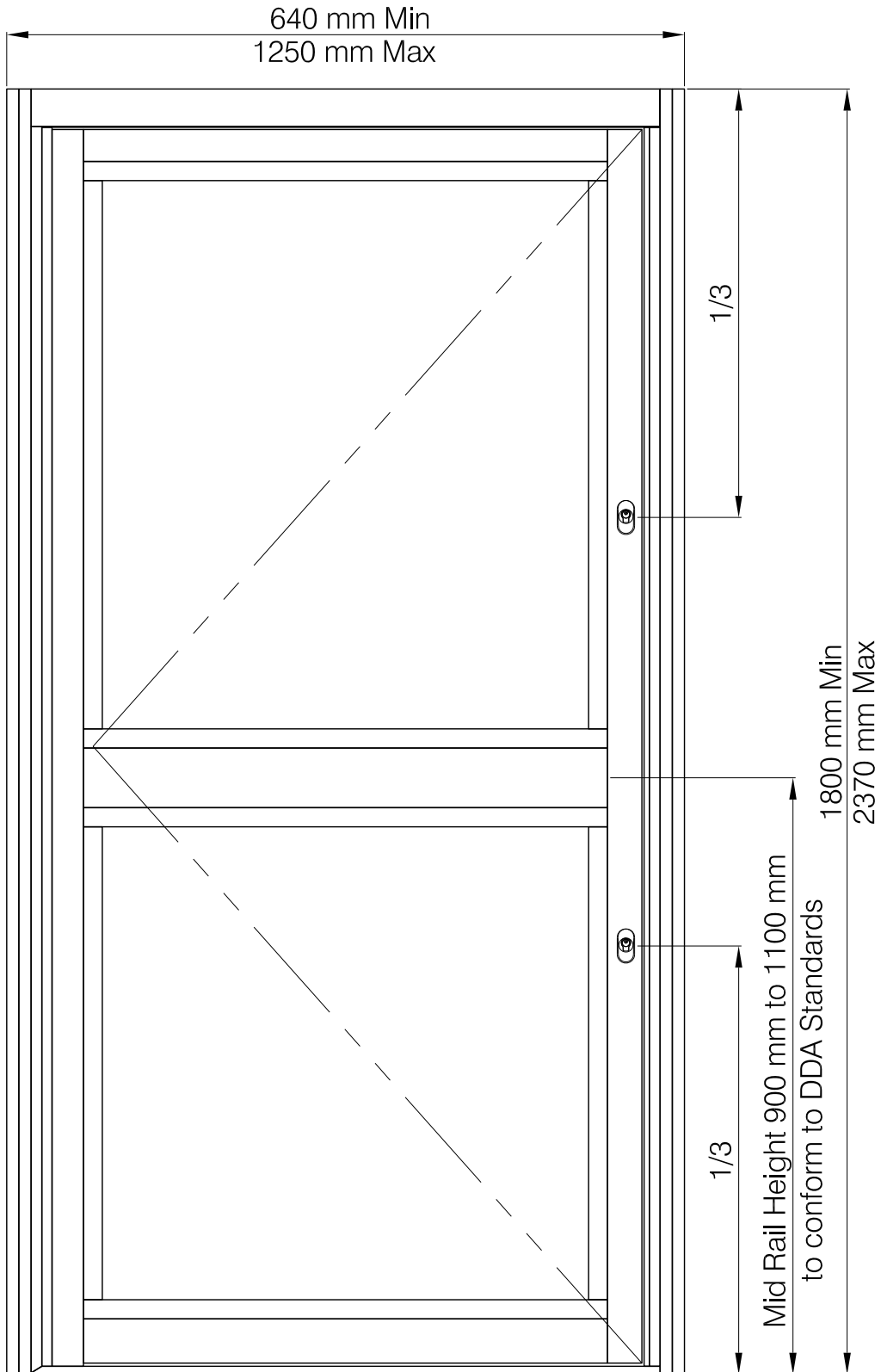
# comar 7P.i

TITLE **POLYAMIDE INSULATED DOORS  
COMAR 7Pi COMMERCIAL DOOR**

SHEET No.

**1.08**

SUB TITLE **SECURITY OPTION  
LOCK AND MID RAIL POSITION**



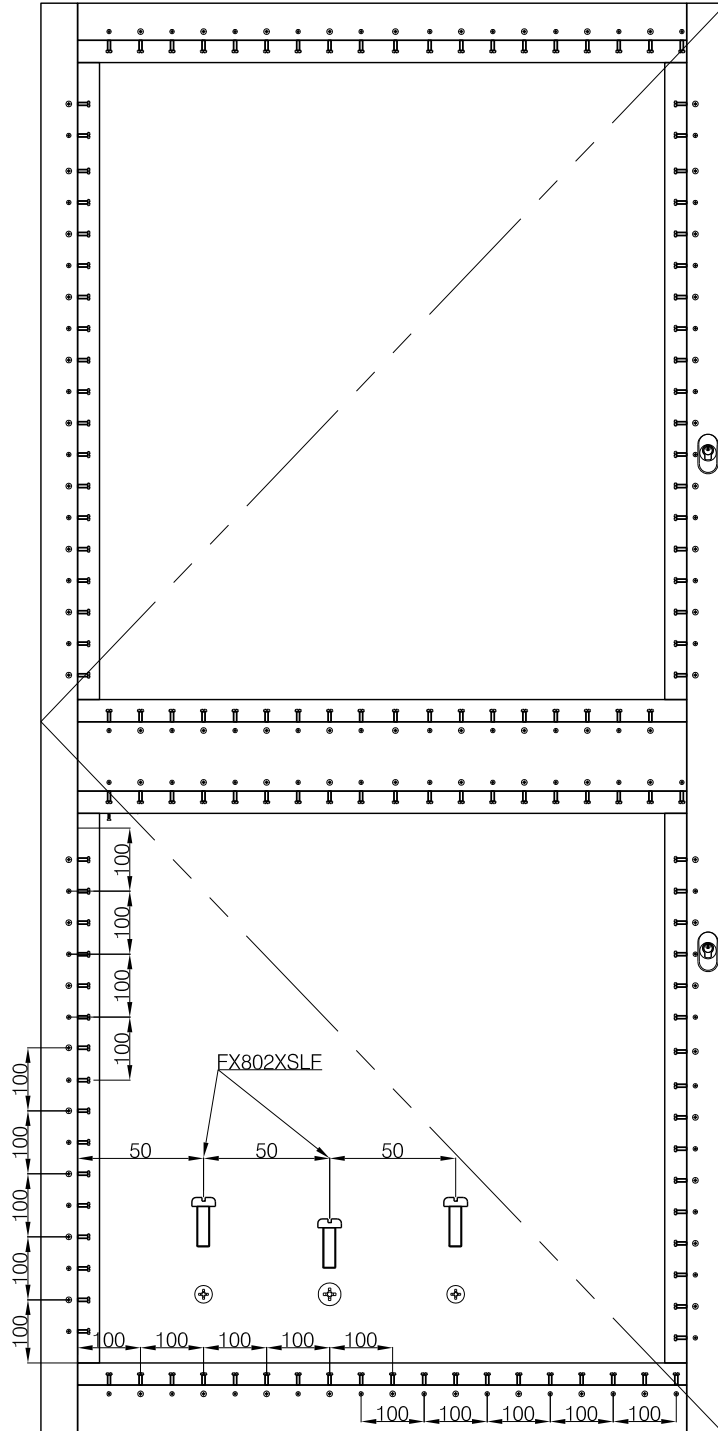
**comar**  
ARCHITECTURAL ALUMINIUM SYSTEMS



Copyright & ownership of this drawing is vested in COMAR Architectural Aluminium Systems, whose prior written consent is required for its use, reproduction or publication to any third party. All other rights reserved. Subject to modifications without prior notification

THE PARKSIDE GROUP LTD  
UNIT 5 ° THE WILLOW CENTRE  
17 WILLOW LANE ° MITCHAM  
SURREY ° CR4 4NX  
Tel: 020-8685 9685 Fax: 020-8687 1142  
Email: technical@parksidegrp.co.uk  
Web Site: <http://www.comar-alu.co.uk>

SCALE	1: 16	© A4
DATE	24/09/14	
DRAWN	VM / KP	
DRG. No.	C7Pi-CD-1.08	R1



NOTE:  
FOR A SECURITY RATED DOOR  
THE SCREWS ARE TO BE  
INSTALLED AS PER THE MANUAL

SEE PAGE 3.31 FOR FURTHER  
DETAILS

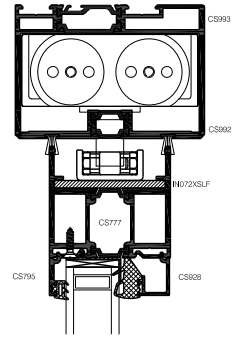
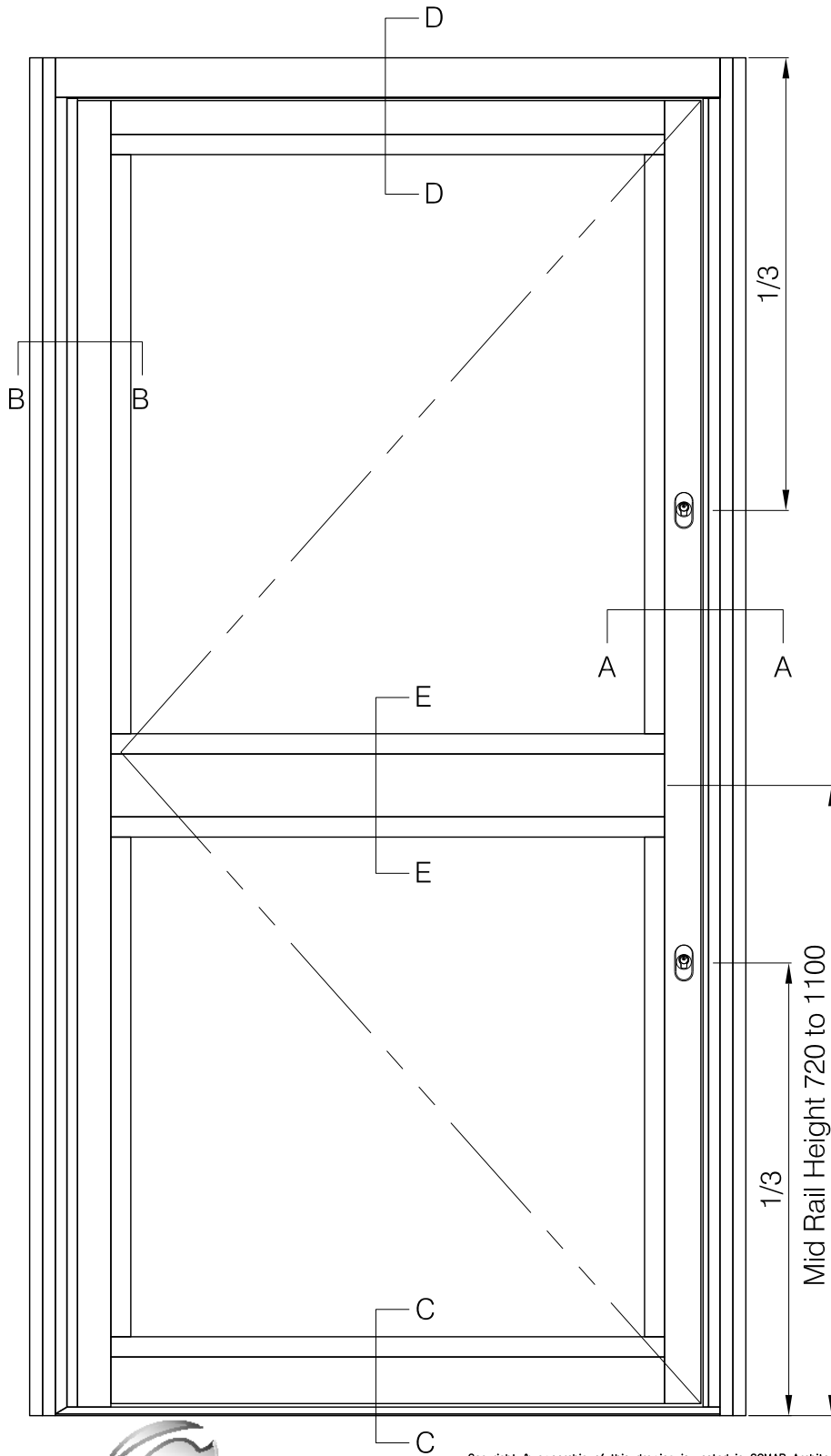
Copyright & ownership of this drawing is vested in COMAR Architectural Aluminium Systems, whose prior written consent is required for its use, reproduction or publication to any third party. All other rights reserved. Subject to modifications without prior notification



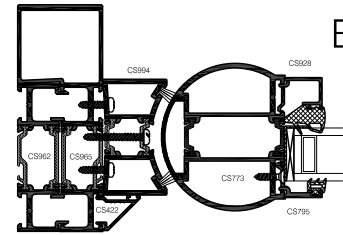
SCALE	1: 12	© A4
DATE	01/06/11	
DRAWN	VM / CAD	
DRG. No.	C7Pi-CD-1.09	R0

# comar 7P.i

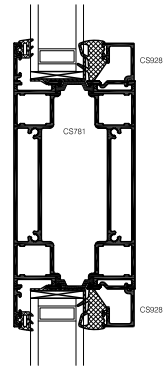
TITLE	<b>POLYAMIDE INSULATED DOORS COMAR 7Pi COMMERCIAL DOOR</b>	SHEET No. <b>1.10</b>
SUB TITLE	<b>STANDARD OPTION OUTER FRAME AND DOOR FRAME WORKING DRAWING / DIAGRAM</b>	



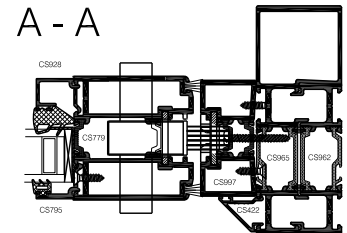
D - D



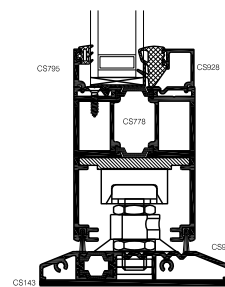
B - B



E - E



A - A



C - C

Copyright & ownership of this drawing is vested in COMAR Architectural Aluminium Systems, whose prior written consent is required for its use, reproduction or publication to any third party. All other rights reserved. Subject to modifications without prior notification



THE PARKSIDE GROUP LTD  
 UNIT 5 ° THE WILLOW CENTRE  
 17 WILLOW LANE ° MITCHAM  
 SURREY ° CR4 4NX  
 Tel: 020-8685 9685 Fax: 020-8687 1142  
 Email: technical@parksidegrp.co.uk  
 Web Site: http://www.comar-alu.co.uk

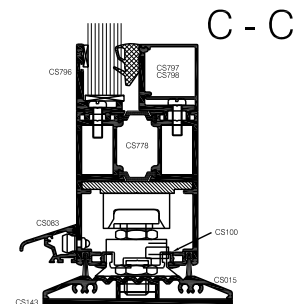
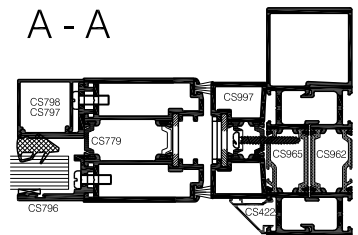
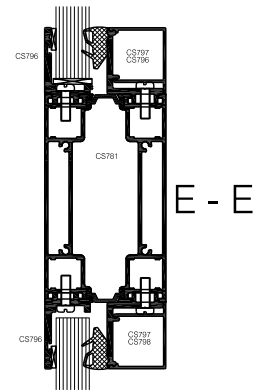
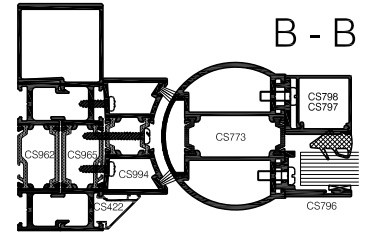
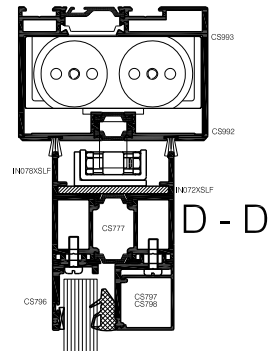
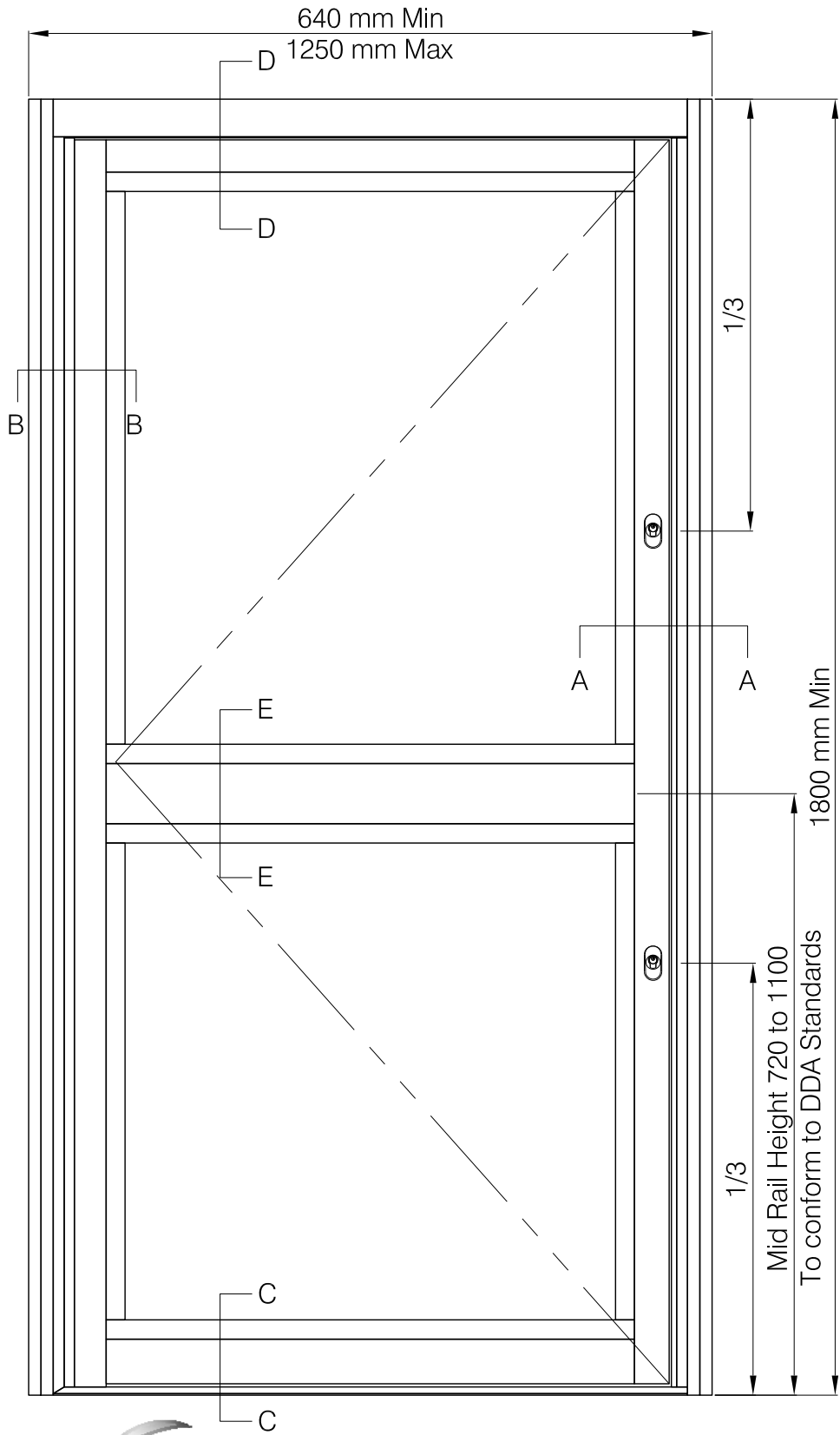
SCALE	NTS	© A4
DATE	24/09/14	
DRAWN	VM/KP	
DRG. No.	C7Pi-CD-1.10	R1

# comar 7P.i

TITLE **POLYAMIDE INSULATED DOORS**  
**COMAR 7Pi COMMERCIAL DOOR**

SUB TITLE **SECURITY OPTION**  
**OUTER FRAME AND DOOR FRAME WORKING DRAWING / DIAGRAM**

SHEET No.  
**1.11**

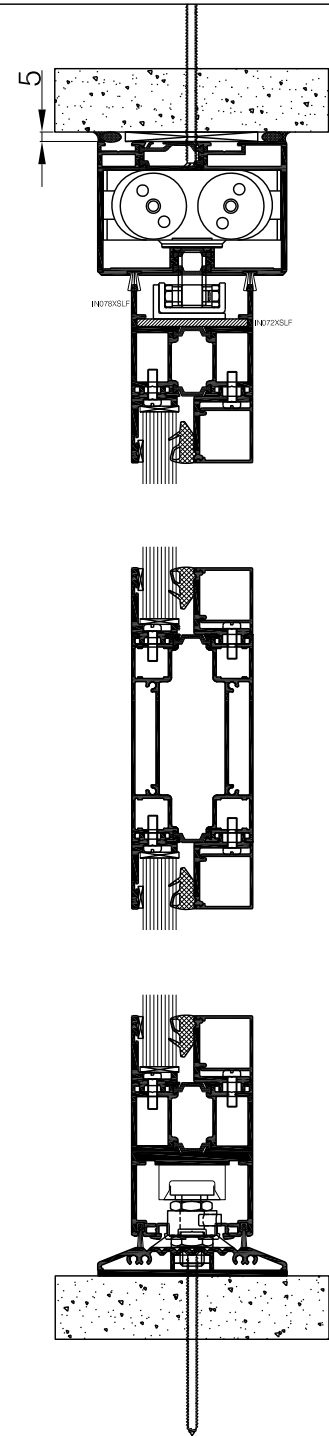
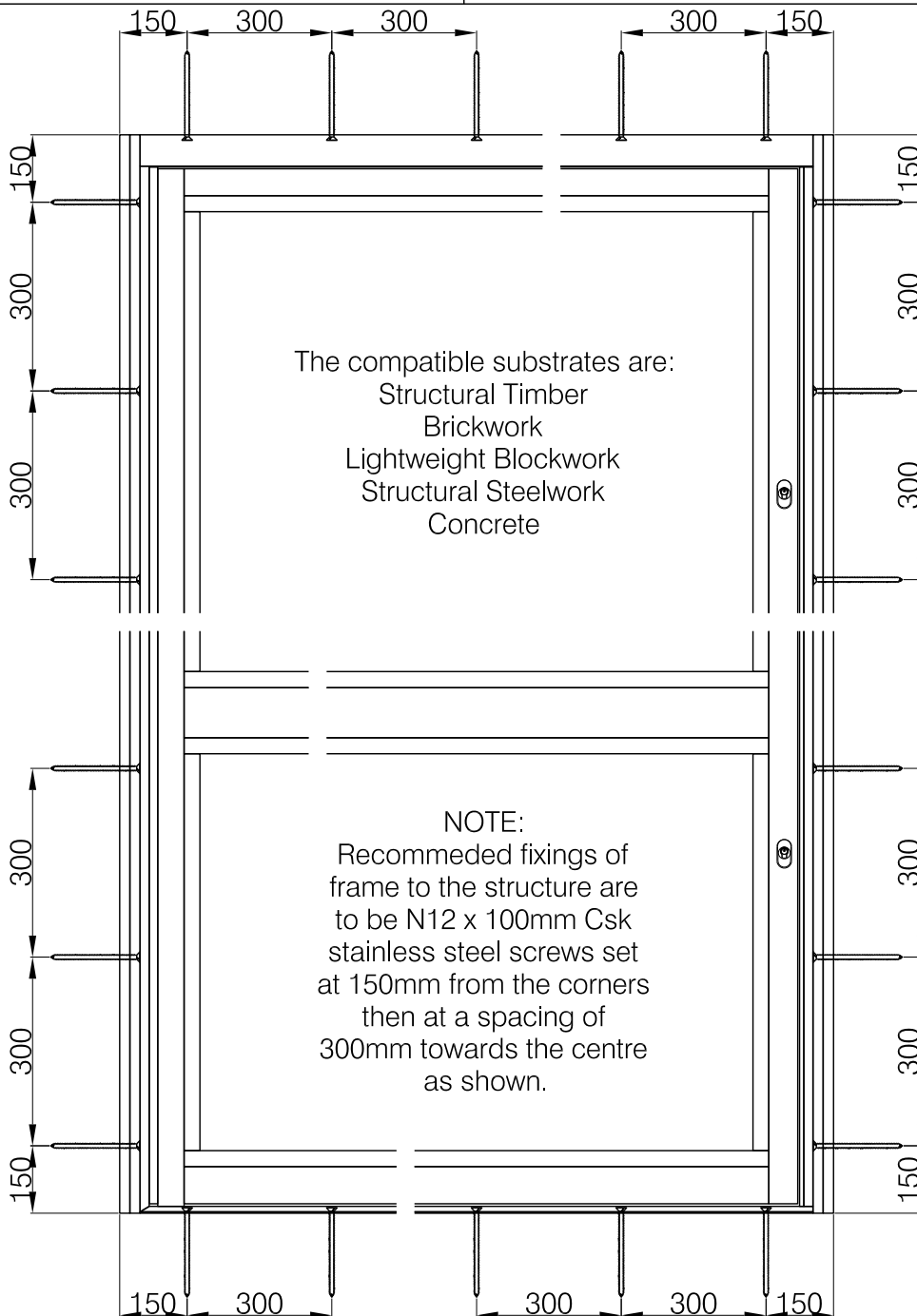


Copyright & ownership of this drawing is vested in COMAR Architectural Aluminium Systems, whose prior written consent is required for its use, reproduction or publication to any third party. All other rights reserved. Subject to modifications without prior notification

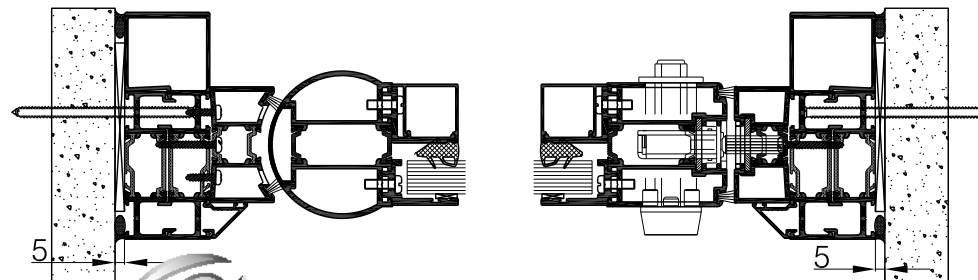


THE PARKSIDE GROUP LTD  
 UNIT 5 ° THE WILLOW CENTRE  
 17 WILLOW LANE ° MITCHAM  
 SURREY ° CR4 4NX  
 Tel: 020-8685 9685 Fax: 020-8687 1142  
 Email: technical@parksidegrp.co.uk  
 Web Site: http://www.comar-alu.co.uk

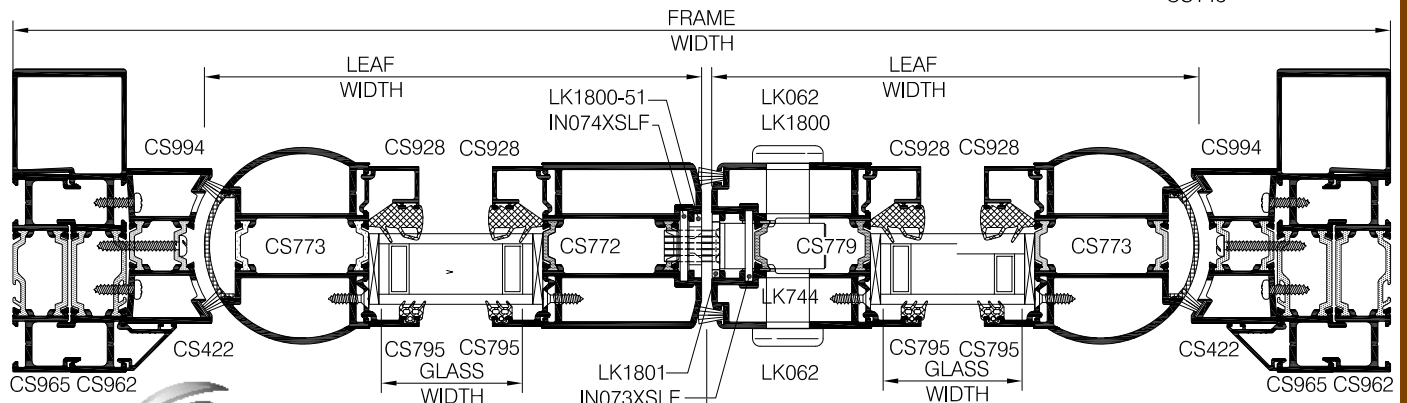
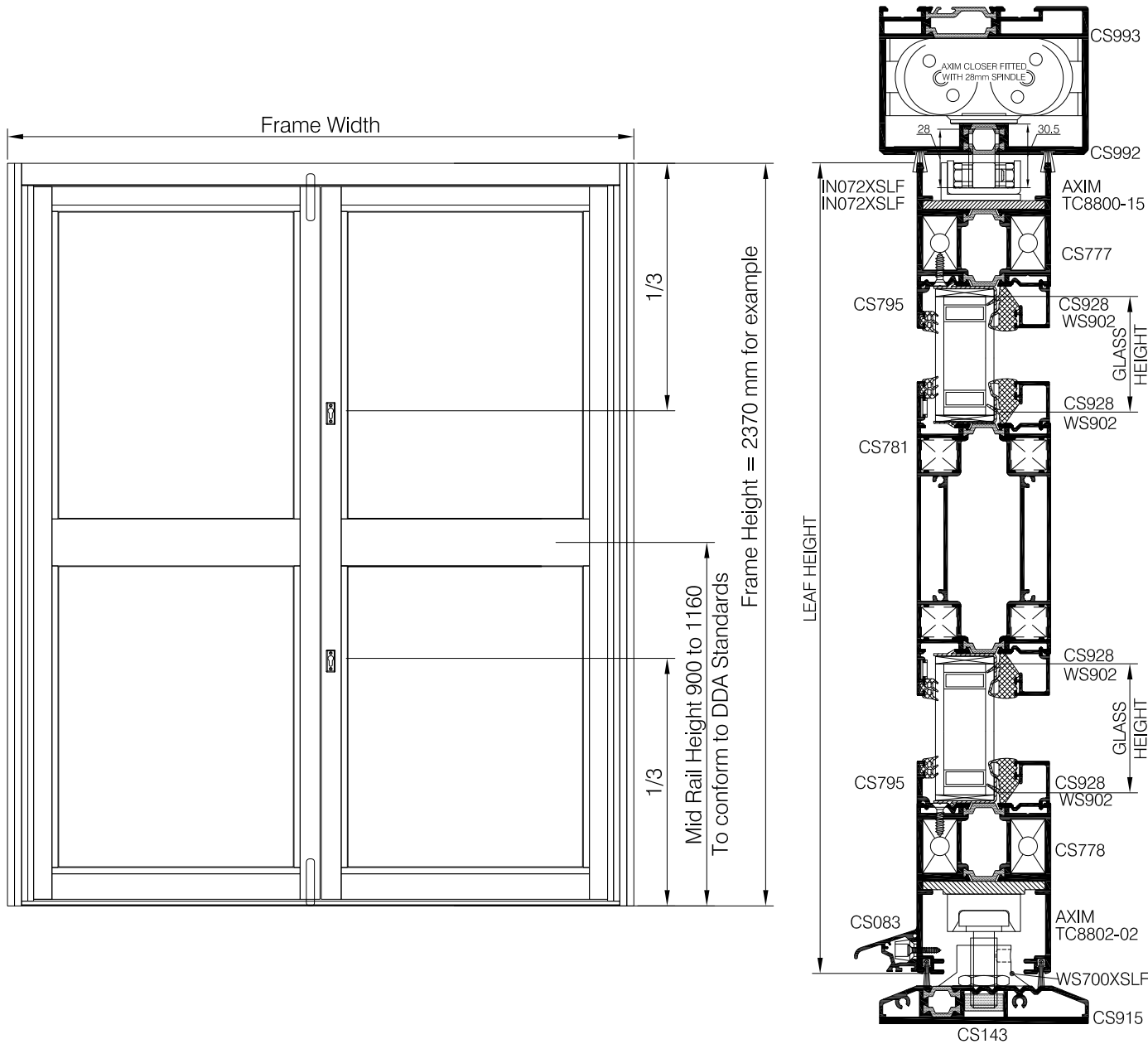
SCALE	NTS	© A4
DATE	24/09/14	
DRAWN	VM / KP	
DRG. No.	C7Pi-CD-1.11	R1



NOTE:  
The maximum permissible gap between the frame and substrate is 8mm. Suitable plastic packers to be used.



Copyright & ownership of this drawing is vested in COMAR Architectural Aluminium Systems, whose prior written consent is required for its use, reproduction or publication to any third party. All other rights reserved. Subject to modifications without prior notification

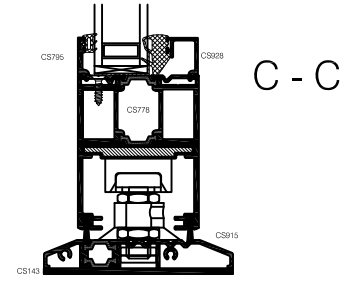
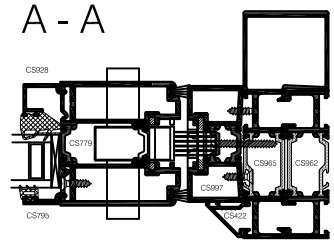
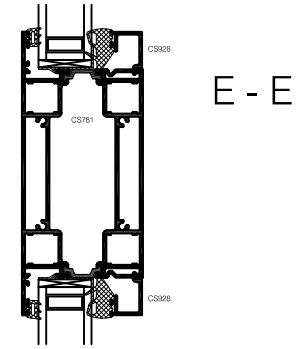
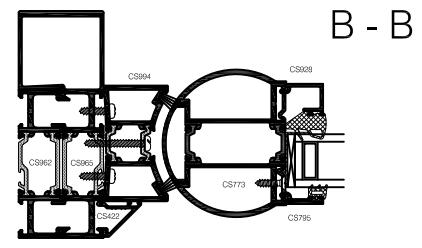
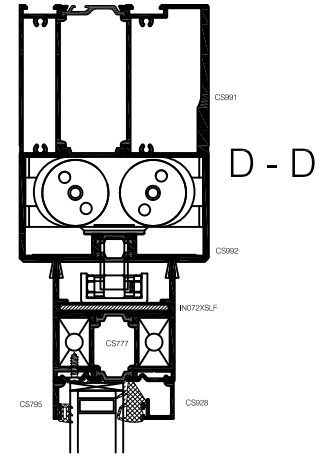
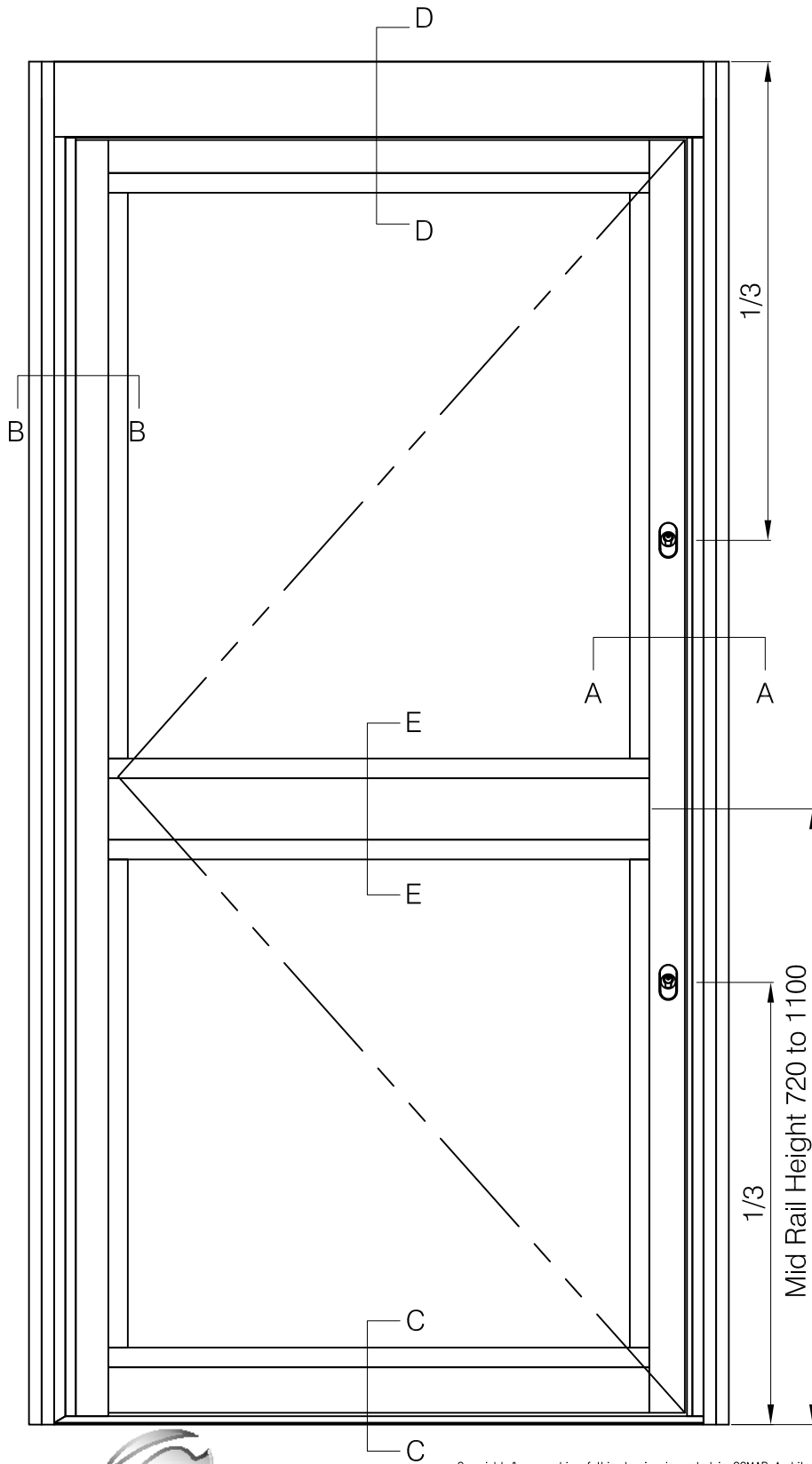


Copyright & ownership of this drawing is vested in COMAR Architectural Aluminium Systems, whose prior written consent is required for its use, reproduction or publication to any third party. All other rights reserved. Subject to modifications without prior notification.

SCALE	1: 3 & 1: 20	@ A4
DATE	30/04/16	
DRAWN	KP/CAD	
DRG. No.	C7Pi-CD-1.13 R0	

# comar 7P.i

TITLE	<b>POLYAMIDE INSULATED DOORS COMAR 7Pi COMMERCIAL DOOR</b>	SHEET No. <b>1.14</b>
SUB TITLE	<b>STANDARD OPTION OUTER FRAME AND DOOR FRAME WORKING DRAWING / DIAGRAM</b>	



Copyright & ownership of this drawing is vested in COMAR Architectural Aluminium Systems, whose prior written consent is required for its use, reproduction or publication to any third party. All other rights reserved. Subject to modifications without prior notification



THE PARKSIDE GROUP LTD  
 UNIT 5 ° THE WILLOW CENTRE  
 17 WILLOW LANE ° MITCHAM  
 SURREY ° CR4 4NX  
 Tel: 020-8685 9685 Fax: 020-8687 1142  
 Email: technical@parksidegrp.co.uk  
 Web Site: http://www.comar-alu.co.uk

SCALE	NTS	@ A4
DATE	21/03/17	
DRAWN	NS/CAD	
DRG. No.	C7Pi-CD-1.14	R0