

## **SECTION 1**

### **COMAR 7 P.I COMMERCIAL DOOR**

INTRODUCTION, SPECIFICATION & BROADSHEETS

## **SECTION 2**

### **COMAR 7 P.I COMMERCIAL DOOR**

FULL SIZE SECTIONS

## **SECTION 3**

### **COMAR 7 P.I COMMERCIAL DOOR**

FABRICATION DETAILS

## **SECTION 4**

### **COMAR 7 P.I COMMERCIAL DOOR**

GLAZING OPTIONS





## CONTENTS

### COMAR 7P.i COMMERCIAL DOOR

#### PART 1 INTRODUCTION / SPECIFICATION / BROADSHEETS

Introduction . . . . .	Page No. 1.01
System Specification . . . . .	1.02
Broadsheet Profiles . . . . .	1.03-1.04
Broadsheet Ancillaries . . . . .	1.05-1.06
Size Limitations . . . . .	1.06.1-1.07
Lock and Mid Rail Position . . . . .	1.08
Bead Screw Positions . . . . .	1.09
Working Drawing . . . . .	1.10-1.11
Fixing Details to Structure . . . . .	1.12
PAS 24 Security Option Tested Door. . . . .	1.13

#### PART 2 FULL SIZE SECTIONS

Threshold Details . . . . .	2.01 - 2.02
Head Details . . . . .	2.03 - 2.04
Auto Door Head Details . . . . .	2.05
Jamb Details . . . . .	2.06 - 2.09
Meeting Stile Details. . . . .	2.10 - 2.11
Midrail Details . . . . .	2.12 - 2.13
Jamb Detail - Increased Deep Lock Stile . . . . .	2.14
Jamb Detail - Panic Device Side Detail . . . . .	2.15

#### PART 3 FABRICATION

Cutting Lists . . . . .	3.01 - 3.08
Assembly Details . . . . .	3.09 - 3.12
Header Bar/Plate Preparation Details. . . . .	3.13
Top & Bottom Preparation Details . . . . .	3.14
Concealed Closer Preparation Details . . . . .	3.15 - 3.17
Threshold Preparation . . . . .	3.18
Lock Preparation . . . . .	3.19 - 3.24
Flush Bolt Preparation . . . . .	3.25 - 3.26
Cleat Assembly & Preparation . . . . .	3.27 - 3.28
MidRail Preparation . . . . .	3.29
Keep Assembly . . . . .	3.30
Bead Preparation . . . . .	3.31
Panic Exit Preparation . . . . .	3.32 - 3.38
Electric Strike Option . . . . .	3.39 - 3.45
Threshold Preparation . . . . .	3.46 - 3.47
Panic Exit LH-745 Preparation . . . . .	3.48

#### PART 4 GLAZING

Standard Option . . . . .	4.01 - 4.03
Security Option . . . . .	4.04







## INTRODUCTION

### COMAR 7P./ COMMERCIAL DOOR

Exhibits the highest standards of design appeal, high strength and durability for today's more security conscious market and demonstrates a continuation of Comar's innovative approach to the design of Architectural Aluminium products.

The specific choice door profiles and ancillary equipment is designed for fabricators to meet the requirements of the latest Building Regulations, the Disability Discrimination Act and is tested to PAS24 BS/EN 1627-RC3 with two security locks (both engaged) Profiles are thermally broken with 'rolled in' polyamide profiles, to deliver an improved thermal performance. This allows specifiers to deliver a high performance door to the security conscious discerning customer.

The door can integrate with all Comar systems and allows for flexibility of design on projects in the commercial market.

All technical aspects of the range are covered in the product manual and further information is available from Comar's Technical Department for specific contract requirements.

This manual is copyright and ownership is vested in Comar Architectural Aluminium Systems whose prior written consent is required for its use.

The manual reproduction or publication to any third party that is not authorised in writing by Comar Architectural Aluminium Systems is strictly forbidden.

Telephone : 020 8685 9685  
Fax No: 020 8646 5096  
e-mail: [technical@parksidegroup.co.uk](mailto:technical@parksidegroup.co.uk)  
Web Site: <http://www.comar-alu.co.uk>

Registered number: 921619.

Registered office: The Parkside Group Ltd  
Unit 5, The Willow Centre.  
17 Willow Lane. MITCHAM.  
Surrey. CR4 4NX UK



## **SPECIFICATION**

### **COMAR 7P./ COMMERCIAL DOOR**

Exhibits the highest standards of design appeal, strength and durability for today's security conscious commercial market.

#### **MATERIALS**

Aluminium alloy extruded profiles of 6063 T5 or T6 to BS EN 755 and BS EN 12020.

#### **FINISHES**

Aluminium profiles are finished to the following specifications:  
Silver, Bronze and Black anodising to BS EN 12373-1:2001 or BS 3987  
Liquid organic coating to BS 4842 or Polyester powder coating to BS 6496

#### **CONSTRUCTION**

Rails are square cut and design of stiles makes an almost invisible joint.  
Stiles incorporate twin woolpile grooves to by-pass the lock.  
A secure profile concealed under the door houses twin brush seals providing double weathering and draught proofing around the perimeter of the door. Low ramp drained or thermally broken thresholds are available.

#### **GLAZING**

The standard option uses a wide range of glazing beads and gaskets allow for a choice of glazing thickness from 9mm to 45mm.  
The security option Glass to be used is Intruder Resistant Glass that conforms to LPS 1270 (Loss Prevention Standard) and is set dry against the glazing tape and retained by mechanically fixed beads.

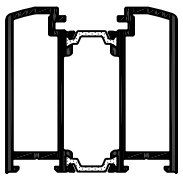
#### **SPECIFICATION**

The door conforms to the aluminium industry standards of the trade association i.e. The Council for Aluminium in Building (CAB). The door also conforms to many of the requirements for aluminium windows specification BS4873.  
A single door using this manual design has been security tested to PAS 24 BS/EN 1627-RC3 fitted with two locks (both engaged).

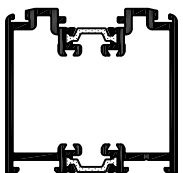
All technical aspects for this product are covered in the product manual and further information is available from Comar's Technical Department for specific contract requirements.

PROFILE SECTIONS BROADSHEET

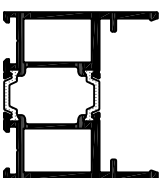
(T.B) = THERMALLY BROKEN PROFILE



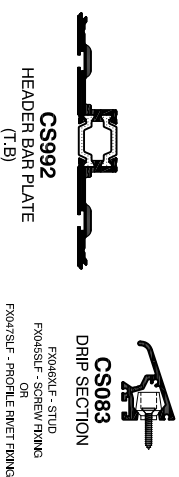
**CS772**  
DOOR STILE, PLAIN  
(T.B)



**CS771**  
DOOR STILE  
(T.B)



**CS777**  
DOOR TOP  
RAIL (T.B)

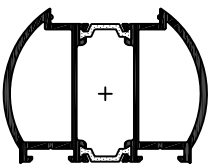


**CS992**  
HEADER BAR PLATE  
(T.B)

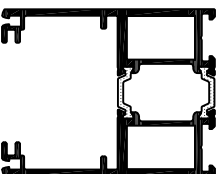
**CS083**  
DRIP SECTION  
FOURKULF - STUD  
FOURSELF - SCREW FIXING  
FOURSELF - PROFILE INLET FIXING



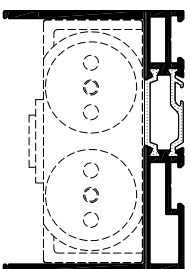
**CS997**  
MULLION ADAPTOR  
(T.B)



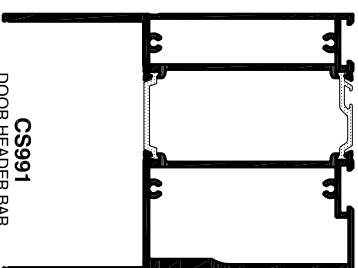
**CS773**  
FINGER GUARD DOOR  
STILE (T.B)



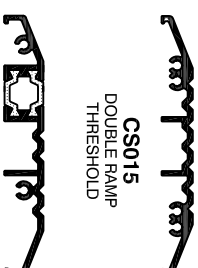
**CS778**  
DOOR BOTTOM  
RAIL (T.B)



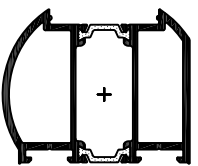
**CS993**  
HEADER BAR  
(T.B)



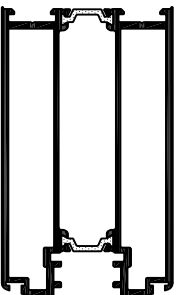
**CS991**  
DOOR HEADER BAR



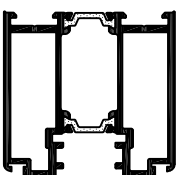
**CS015**  
DOUBLE RAMP  
THRESHOLD



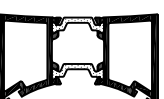
**CS774**  
FINGER GUARD DOOR  
STILE, PANIC EXIT  
(T.B)



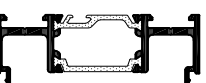
**CS775**  
DOOR STILE  
WOODPILE (T.B)



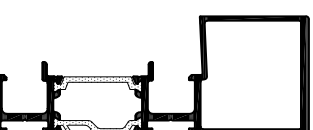
**CS779**  
DOOR STILE  
WOODPILE (T.B)



**CS994**  
DOOR FINGER GUARD,  
70MM PIVOT POINT  
(T.B)



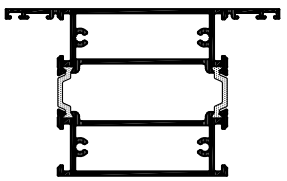
**CS962**  
78mm MULLION  
INFILL PLATE  
NO LEG (T.B)



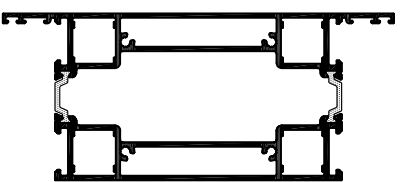
**CS965**  
MULLION INTERNAL  
BOX (T.B)



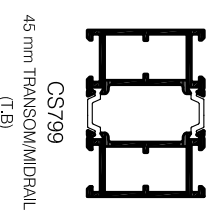
**PROFILE SECTIONS BROADSHEET**



CS780  
105mm  
TRANSOM/MIDRAIL  
(T.B.)



CS781  
150mm TRANSOM/MIDRAIL  
(T.B.)



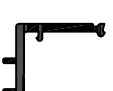
CS799  
45 mm TRANSOM/MIDRAIL  
(T.B.)



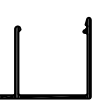
CS795  
STANDARD BEAD



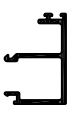
CS796  
SECURITY BEAD  
EXTERNAL



CS797  
SECURITY BEAD  
INTERNAL



CS798  
SECURITY BEAD  
COVER



CS925  
GLAZING BEAD



CS926  
GLAZING BEAD



CS927  
GLAZING BEAD



CS928  
GLAZING BEAD



CS929  
GLAZING BEAD



CS930  
GLAZING BEAD



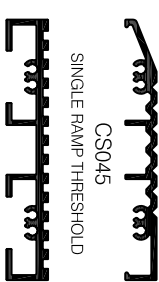
CS422  
GLAZING BEAD



CS100  
RAIL BRUSH  
WOOLPILE CARRIER



CS143  
100 x 3mm FLAT



CS045  
SINGLE RAMP THRESHOLD



CS346  
DRAINAGE TRAY  
(FOR CS315, 345, 347, 348)



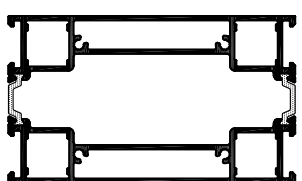
CS315  
DOUBLE RAMP DRAINED  
THRESHOLD



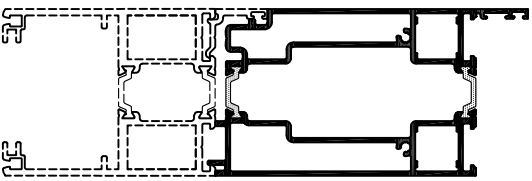
CS072  
DRAINAGE TRAY  
(THERMALLY BROKEN OR PLAIN)



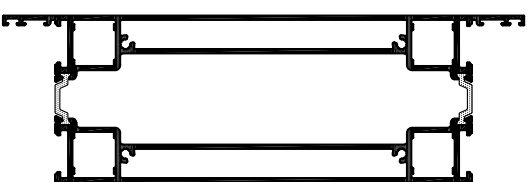
CS345  
SINGLE RAMP DRAINED  
THRESHOLD



CS783  
110mm SECURITY  
OPTION DOOR MIDRAIL  
(T.B.)



CS784  
100mm BOTTOM RAIL  
EXTENSION (T.B.)



CS782  
200mm  
TRANSOM/MIDRAIL  
(T.B.)





GK906  
 6MM GLAZING WEDGE



GK908  
 8MM GLAZING WEDGE



GK910  
 10MM GLAZING WEDGE



GK422  
 2MM ARROW HEAD GASKET  
 BLACK COLOUR STRIP



GK425  
 5MM ARROW HEAD GASKET  
 BLUE COLOUR STRIP



WP012  
 WOOLPILE  
 12MM BRUSH SEAL



WS916XSFLF  
 ALIGNMENT FOR TRANSOM / MULLION



SE003  
 Quickslick 3mm Glazing Tape



WP007  
 WOOLPILE  
 7MM BASE 10MM LONG



FX035XSFLF  
 N8 x 16mm Pan Head Stainless Steel Self Tapping Screws



FX032XSFLF  
 N8 x 20mm Pan Head Stainless Steel Self Tapping Screws



WS902XSFLF  
 SECURITY CLIP



FX039XSFLF  
 N8 x 29mm Csk Stainless Steel Self Tapping Screws



FX034XSFLF  
 N8 x 16mm Csk Self Tapping Screw



IN075XSFLF  
 CLEAT BACK PLATE



FX802XSFLF  
 M5 x 16mm Pan Head Stainless Steel Machine Screws



FX800XSFLF  
 M5 x 20mm Csk Stainless Steel Machine Screws



WS918XKIT  
 14.5 mm MIDRAIL CLEAT  
 1 x M5 x 10 mm GRUB SCREW  
 1 x M6 x 7 mm Csk SCREW



FX7003 XSFLF  
 No.6 x 16 Pan Head Self Drill



FX613 XSFLF  
 M6 x 10mm Csk MACHINE SCREW



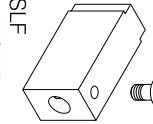
FX613 XSFLF  
 M6 x 10mm Csk MACHINE SCREW

NC700XSFLF  
 FIXING CLEAT FOR TOP/BOTTOM RAILS

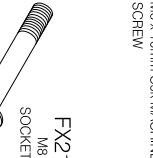
FX613 XSFLF  
 M6 x 10mm Csk MACHINE SCREW



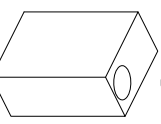
FX613 XSFLF  
 M6 x 10mm Csk MACHINE SCREW



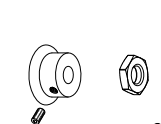
FX213XSFLF  
 M8 x 65mm SOCKET HEAD BOLT



FX795XSFLF  
 Handle Firing 95mm Csk Stainless Steel Machine Screws



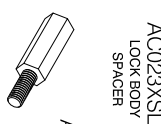
FB-62-041  
 FLUSH BOLT GUIDE BLOCK



TC-9500-17  
 BOTTOM PIVOT ASSEMBLY



WS700XSFLF  
 BOTTOM PIVOT PROTECTOR



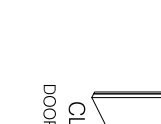
AC023XSFLF  
 LOCK BODY SPACER



AC024XSFLF  
 HEX NUT LOCK BODY SPACER



IN072XSFLF  
 TOP ARM FIXING PLATE



IN078XSFLF  
 SECURITY TOP ARM ANGLE



CL091  
 DOOR STOP



FX082XSFLF  
 M10 STUD FOR PUSH HANDLE



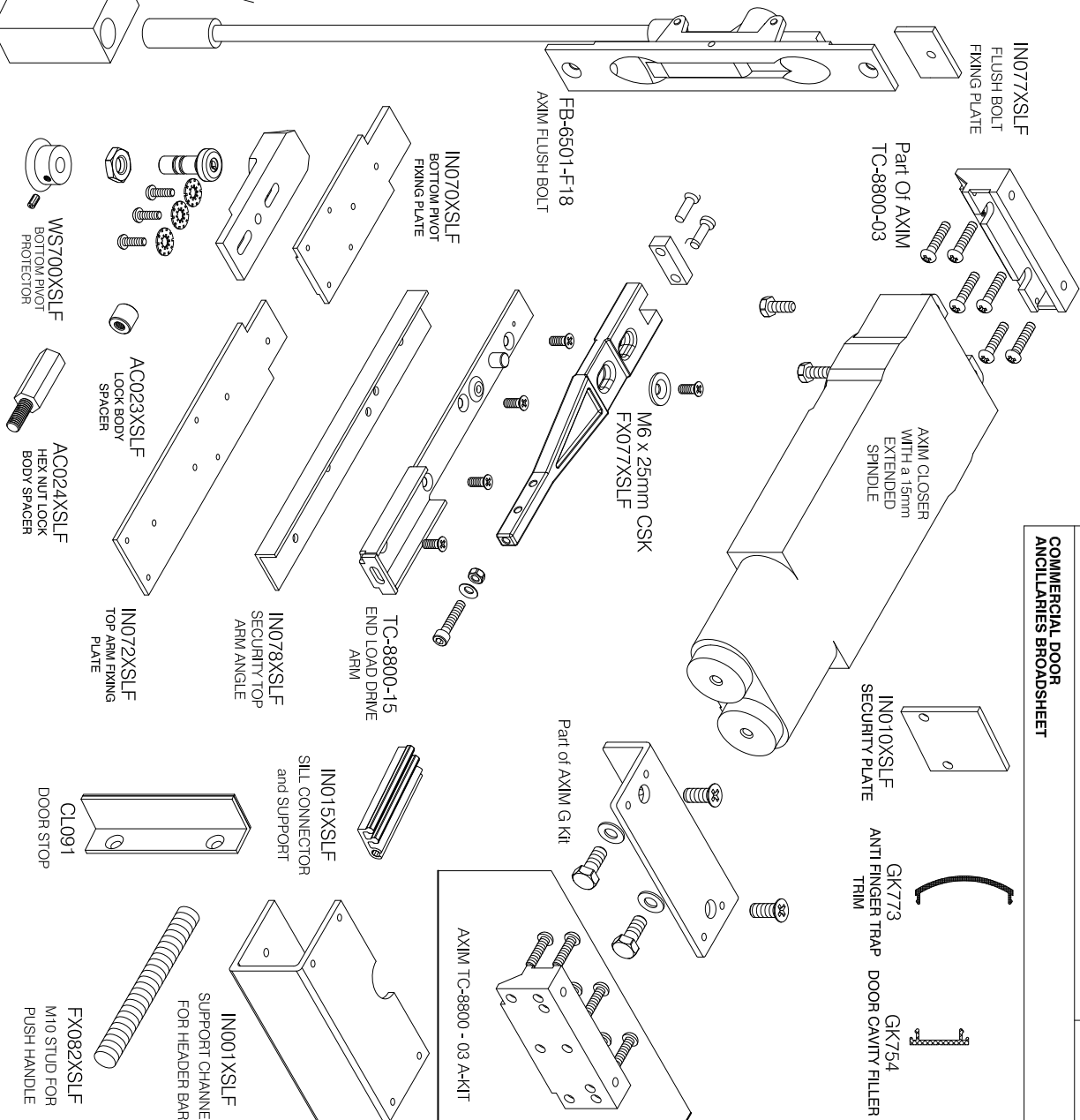
IN001XSFLF  
 SUPPORT CHANNEL FOR HEADER BAR



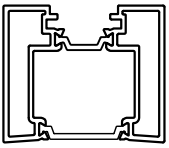
IN015XSFLF  
 SILL CONNECTOR and SUPPORT



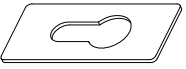
AXIM TC-8800-03 A-KIT



ANCILLARIES BROADSHEET



CS998  
52mm Mullion Adapter

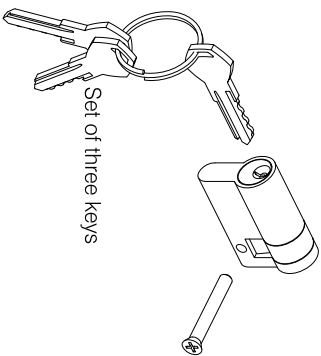


LK-092-SVR  
ESCUTCHEON

XX3092XSLE  
# 10x22



AC0245  
Electric Strike Body Spacer

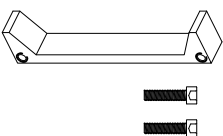


LK479XSLE  
35/70 HALF CYLINDER

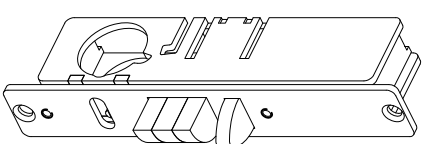
Set of three keys



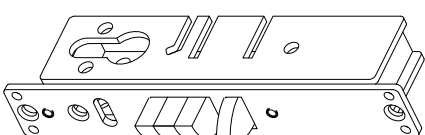
LK-2100-75  
40.75mm ROUND CYLINDER



ES-2100-381  
11.3mm EXTENSION LIPS

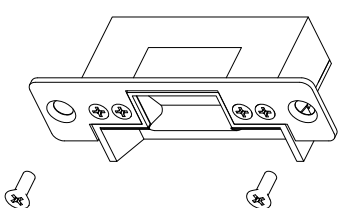


LK-2100-25-R Deadlatch

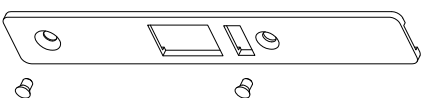


LK-2100-25-E Deadlatch

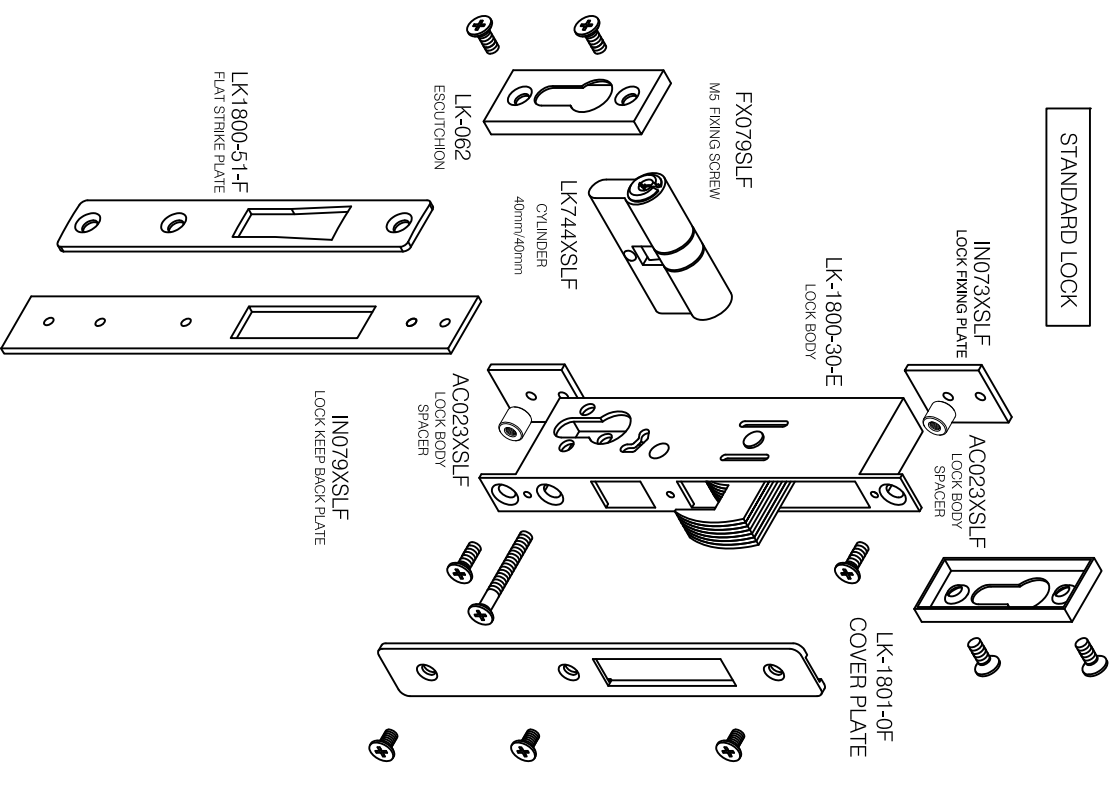
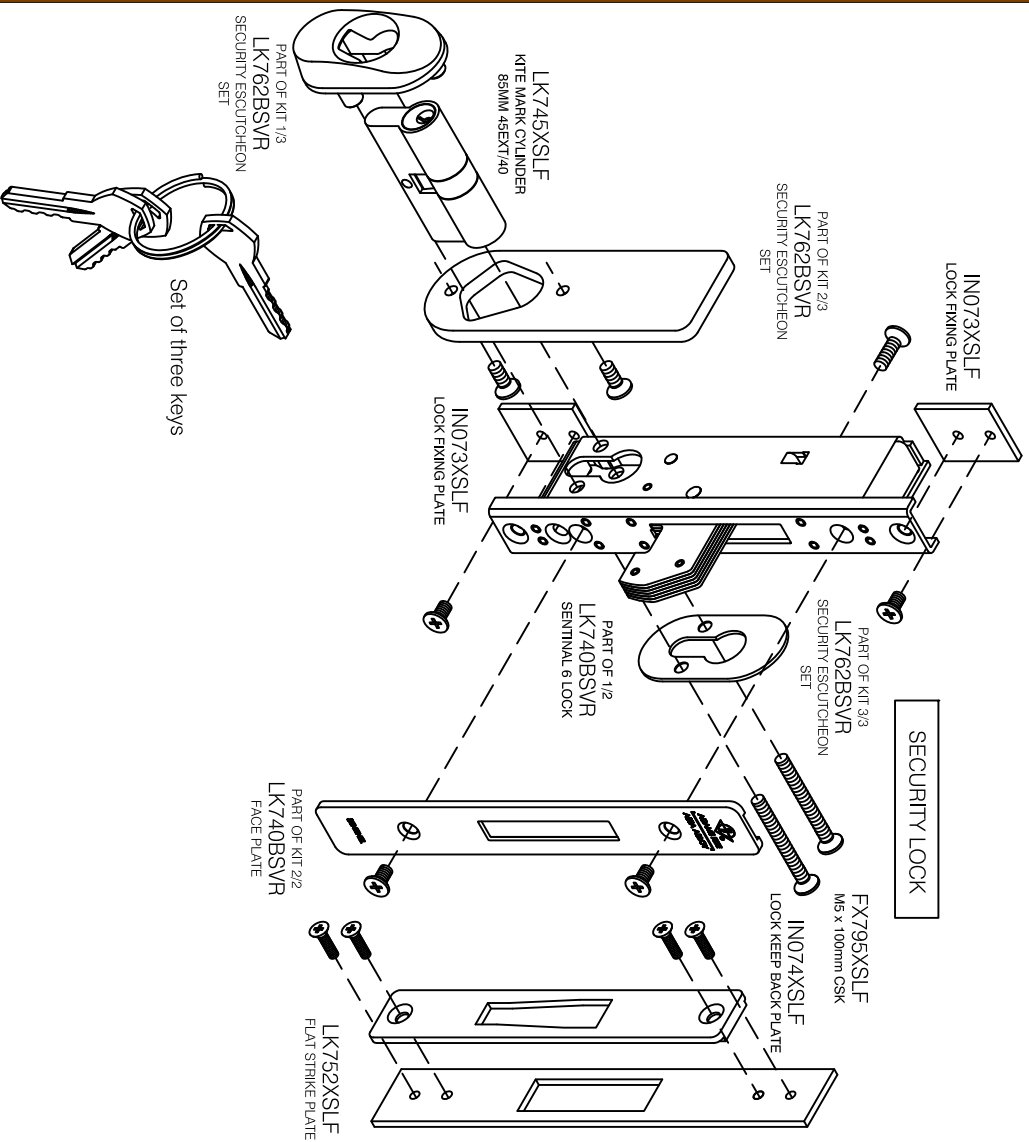
ES-2100-12ESAF or SEC  
ES-2100-24ESAF or SEC



LK-2100-41 Face Plate



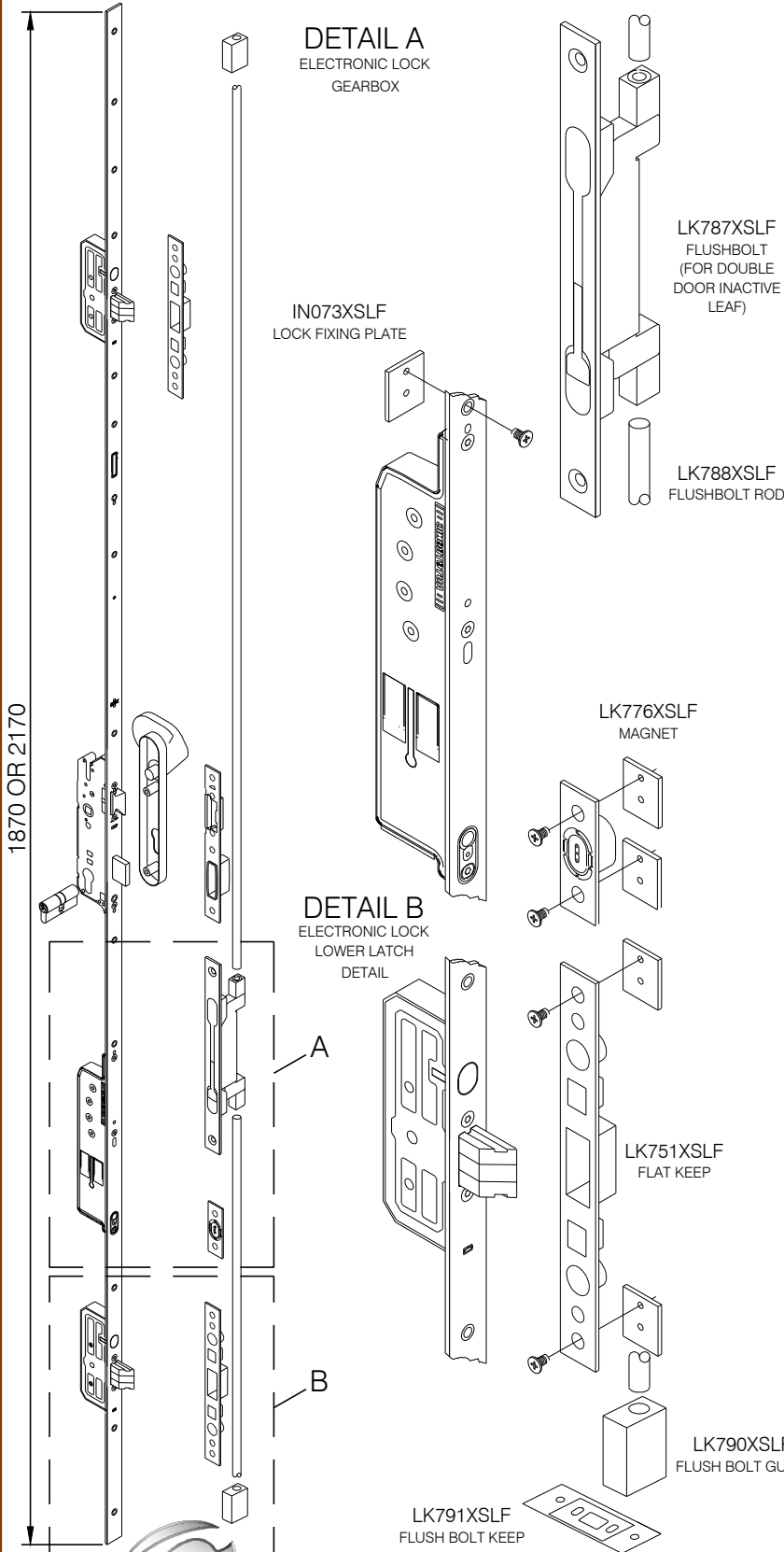
ANCILLARIES BROADSHEET



STANDARD LOCK



SCALE	NIS	@A
DATE	28-03-2017	
DRAWN	VM / KD	
DRG. No.	C7P1-CD-1.06	R2



PROJECT  
ONLY

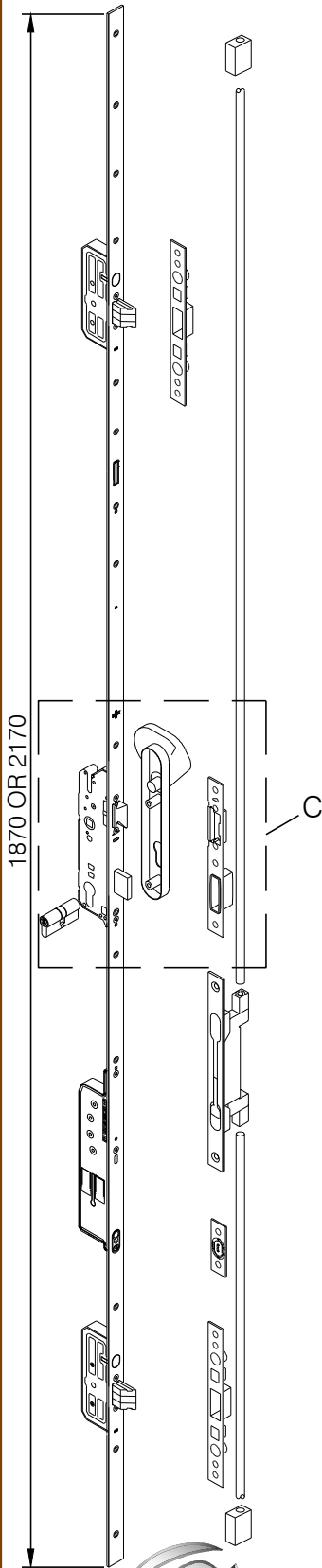
ELECTRONIC CONTROL OPTIONS	
Description	Part No
Radio Receiver Module with Master Key	LK780XSFL
Cable 10 metre 6 pin	LK781XSFL
RAIL transformer	LK782XSFL
Cable duct	LK783XSFL
Radio push button	LK784XSFL
Cable protection sleeves	LK785XSFL
Cable 3 core 4m with 6 pin plug	LK794XSFL
Cable 3 core 8m with 1 plug	LK795XSFL
Rail mounted control unit & 1 master key	LK796XSFL

Note: Please reference  
Electronic Locking  
Document MBW15 for  
wiring details and options

Copyright & ownership of this drawing is vested in COMAR Architectural Aluminium Systems, whose prior written consent is required for its use, reproduction or publication to any third party. All other rights reserved. Subject to modifications without prior notification



PROJECT  
ONLY



**DETAIL C**  
CENTRE LATCH AND  
DEADBOLT DETAIL

LK768XSFL  
1870mm-2170mm High  
LK769XSFL  
2170mm-2400mm High  
ELECTRONIC LOCK

LK745XSFL  
CYLINDER

LK779XSFL  
ACCESS  
HANDLE

LK749XSFL (RH)  
LK750XSFL (LH)  
CENTRE  
KEEP

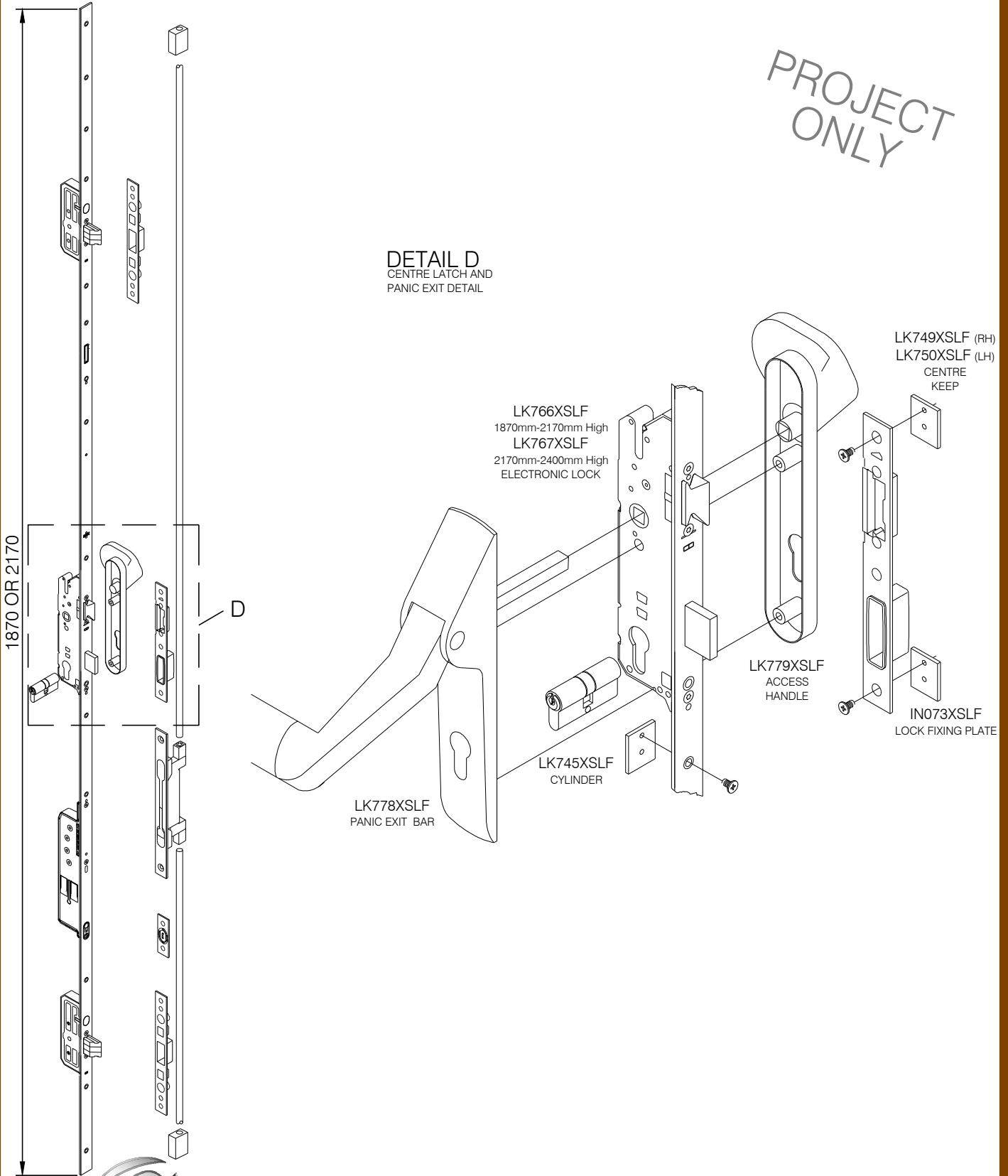
IN073XSFL  
LOCK FIXING PLATE

Copyright & ownership of this drawing is vested in COMAR Architectural Aluminium Systems, whose prior written consent is required for its use, reproduction or publication to any third party. All other rights reserved. Subject to modifications without prior notification

SCALE	NTS	© A4
DATE	20/03/17	
DRAWN	NRA	
DRG. No.	C7Pi-CD-1.06.02 R0	

PROJECT  
ONLY

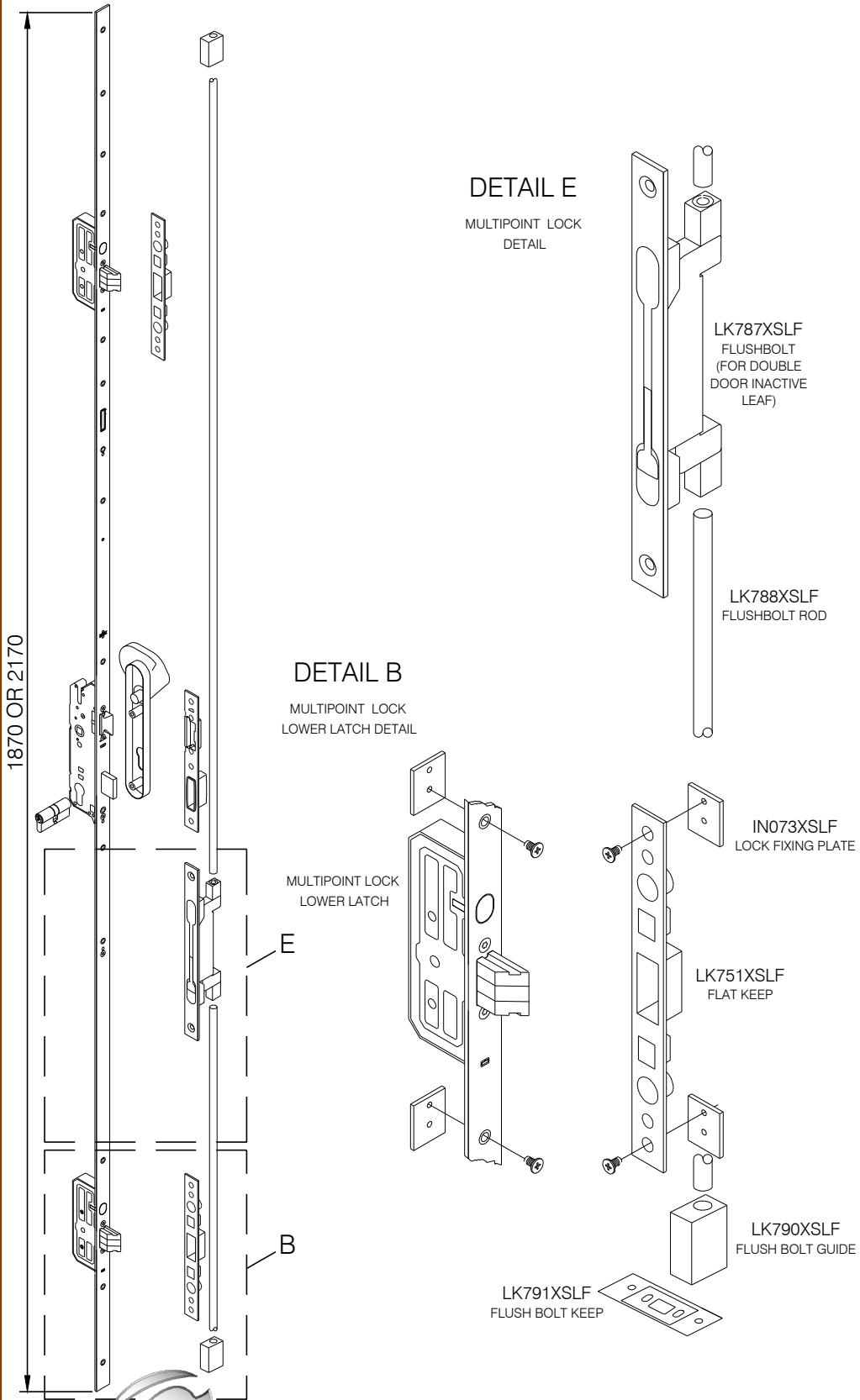
**DETAIL D**  
CENTRE LATCH AND  
PANIC EXIT DETAIL



Copyright & ownership of this drawing is vested in COMAR Architectural Aluminium Systems, whose prior written consent is required for its use, reproduction or publication to any third party. All other rights reserved. Subject to modifications without prior notification

SCALE	NTS	© A4
DATE	20/03/17	
DRAWN	NRA	
DRG. No.	C7Pi-CD-1.06.03 R0	

PROJECT  
ONLY

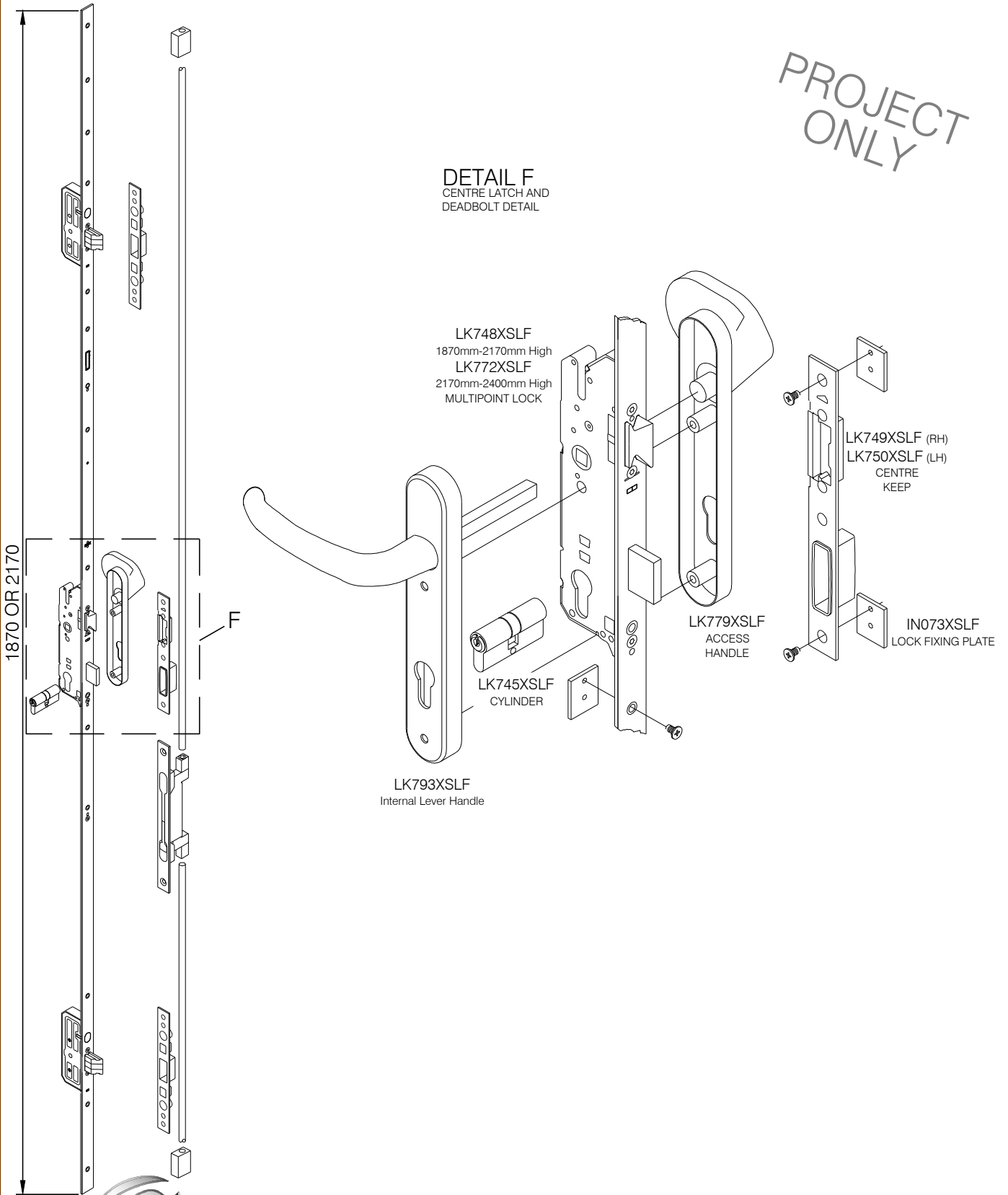


Copyright & ownership of this drawing is vested in COMAR Architectural Aluminium Systems, whose prior written consent is required for its use, reproduction or publication to any third party. All other rights reserved. Subject to modifications without prior notification

SCALE	NTS	© A4
DATE	20/03/17	
DRAWN	NRA	
DRG. No.	C7Pi-CD-1.06.04 R0	

PROJECT  
ONLY

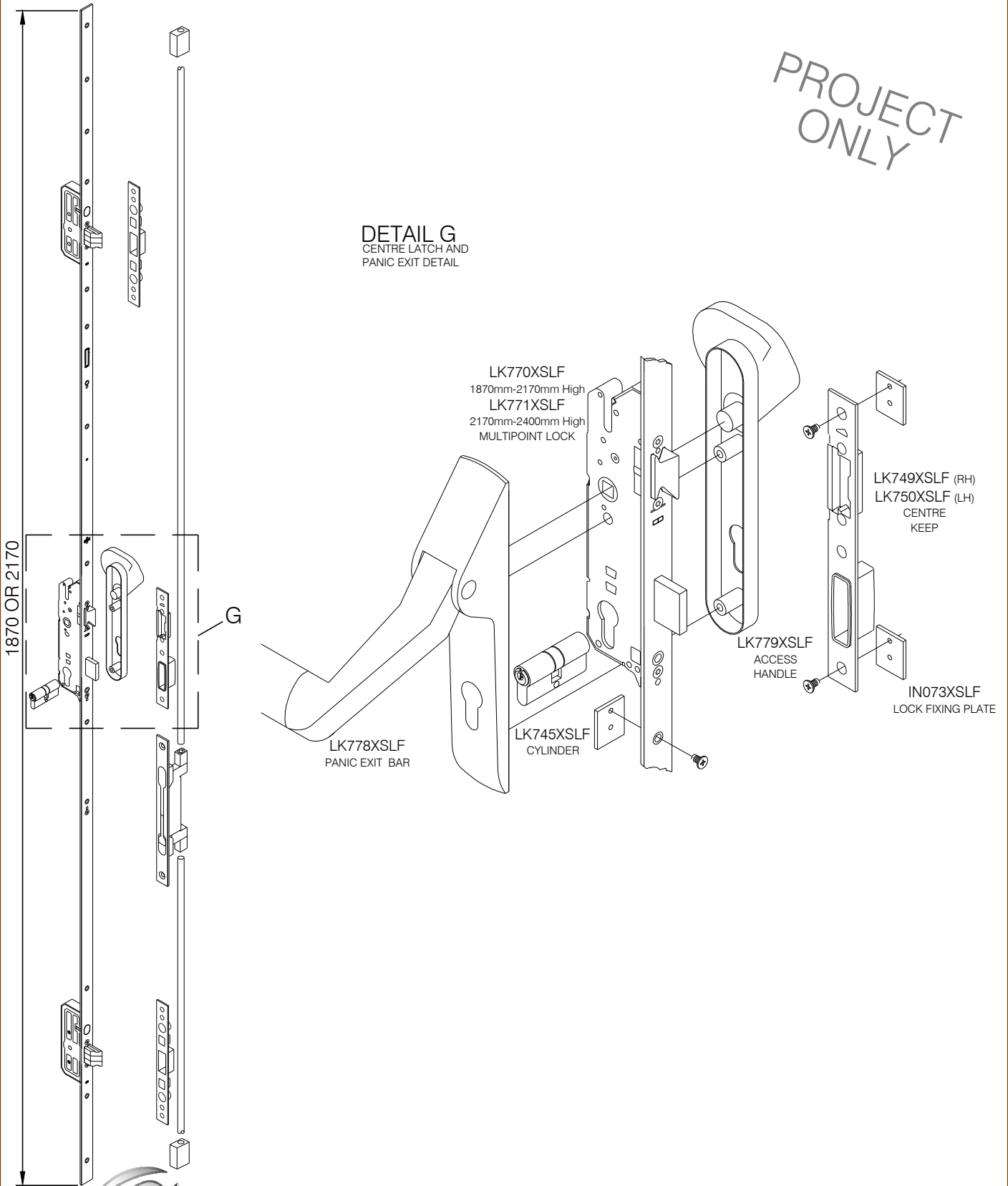
**DETAIL F**  
CENTRE LATCH AND  
DEADBOLT DETAIL



Copyright & ownership of this drawing is vested in COMAR Architectural Aluminium Systems, whose prior written consent is required for its use, reproduction or publication to any third party. All other rights reserved. Subject to modifications without prior notification

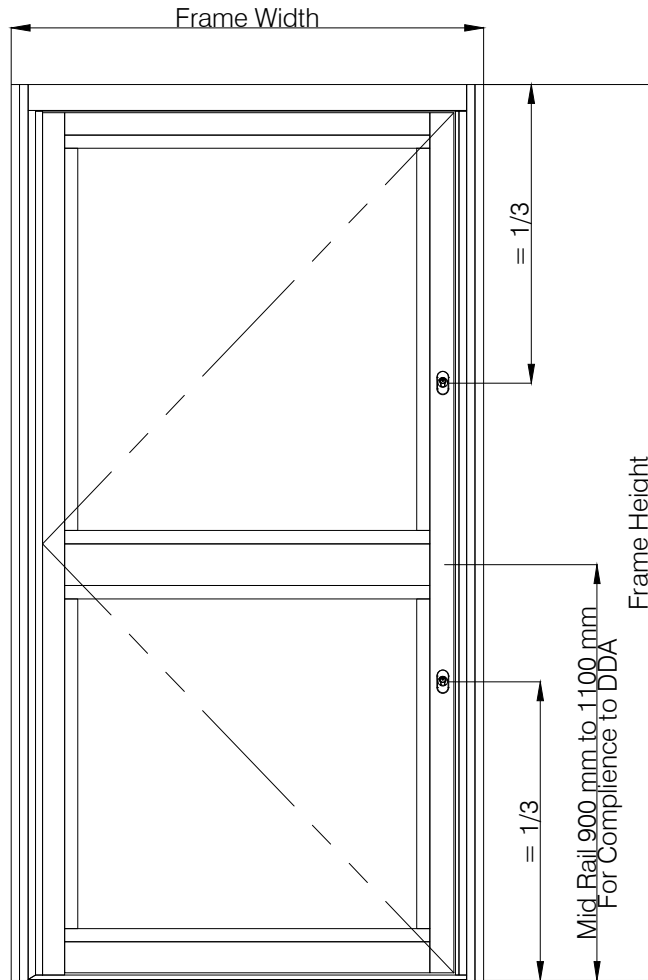
PROJECT  
ONLY

**DETAIL G**  
CENTRE LATCH AND  
PANIC EXIT DETAIL



Copyright & ownership of this drawing is vested in COMAR Architectural Aluminium Systems, whose prior written consent is required for its use, reproduction or publication to any third party. All other rights reserved. Subject to modifications without prior notification

SCALE	NTS	© A4
DATE	20/03/17	
DRAWN	NRA	
DRG. No.	C7Pi-CD-1.06.06 R0	



STANDARD AND PAS 24 SECURITY OPTION

UNIVERSAL CONCEALED TRANSOM CLOSER  
180° SWING AND DELAYED ACTION  
HOLD OPEN OPTIONS AVAILABLE  
THREE CLOSING STRENGTHS AVAILABLE

AXIM TC8801-0015	8801-9015	SIZE 1
AXIM TC8802-0015	8802-9015	SIZE 2
AXIM TC8803-0015	8803-9015	SIZE 3

MAX DOOR LEAF WIDTH 1150mm    MAX DOOR LEAF HEIGHT 2400mm    MAX DOOR LEAF WEIGHT 100Kgs

### SECURITY OPTION

LPS 1175 - SR2 & EN 1627 - RC3 CERTIFIED SECURITY RATED SINGLE ANTI FINGER TRAP SWING DOOR FOR BUILDINGS WITH PUBLIC ACCESS REQUIRING A FAR HIGHER THAN NORMAL DEGREE OF SECURITY

FRAME WIDTH - 640 mm to 1250mm    FRAME HEIGHT - 1800mm TO 2370mm    FRAME WEIGHT - 90Kgs



**comar**  
ARCHITECTURAL ALUMINIUM SYSTEMS

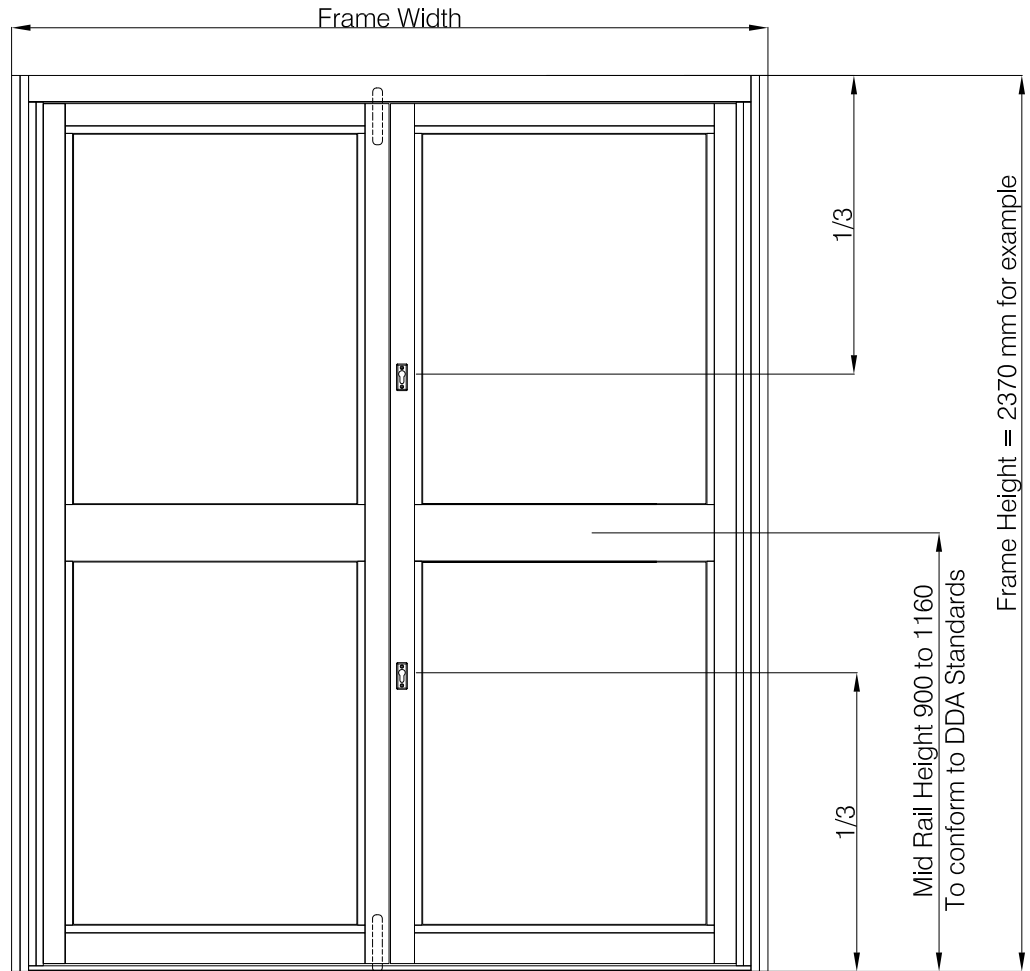


Copyright & ownership of this drawing is vested in COMAR Architectural Aluminium Systems, whose prior written consent is required for its use, reproduction or publication to any third party. All other rights reserved. Subject to modifications without prior notification

THE PARKSIDE GROUP LTD  
UNIT 5 ° THE WILLOW CENTRE  
17 WILLOW LANE ° MITCHAM  
SURREY ° CR4 4NX  
Tel: 020-8685 9685 Fax: 020-8687 1142  
Email: technical@parksidegrp.co.uk  
Web Site: <http://www.comar-alu.co.uk>

SCALE	1: 20	@ A4
DATE	05/02/16	
DRAWN	KP/AMR	
DRG. No.	C7Pi-CD-1.07	R2

TITLE	<b>POLYAMIDE INSULATED DOORS COMAR 7Pi COMMERCIAL DOOR</b>	SHEET No. <b>1.07.01</b>
SUB TITLE	<b>PAS 24 SECURITY OPTION SIZE LIMITATIONS AND CONFIGURATIONS</b>	



PAS 24 SECURITY OPTION

**HARDWARE LIST:**

TRANSOM CLOSER AND BOTTOM PIVOT FOR CD	2
IN078XSLF SECURITY TOP ARM ANGLE	2
FB-6501-F18 AND FB-62-041 FLUSH BOLT (SLAVE DOOR)	2
STANDARD LOCK - PAGE C7Pi-CD-1.06 R1	2
LK745XSLF SECURITY CYLINDER	2
WS700XSLF BOTTOM PIVOT PROTECTOR	2

EXTERNAL CS795 BEAD FIXED IN PLACE  
WS902XSLF SECURITY GLAZING CLIP

ALL OTHER COMPONENTS AS PER STANDARD DOOR



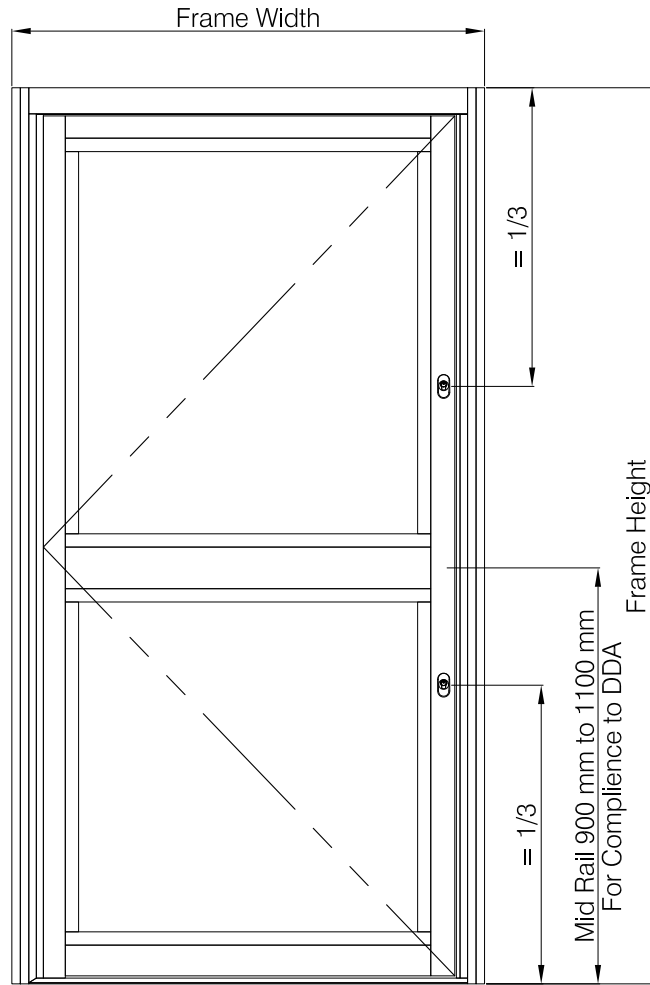
**comar**  
ARCHITECTURAL ALUMINIUM SYSTEMS



Copyright & ownership of this drawing is vested in COMAR Architectural Aluminium Systems, whose prior written consent is required for its use, reproduction or publication to any third party. All other rights reserved. Subject to modifications without prior notification

THE PARKSIDE GROUP LTD  
UNIT 5 ° THE WILLOW CENTRE  
17 WILLOW LANE ° MITCHAM  
SURREY ° CR4 4NX  
Tel: 020-8685 9685 Fax: 020-8687 1142  
Email: technical@parksidegrp.co.uk  
Web Site: http://www.comar-alu.co.uk

SCALE	1: 20	© A4
DATE	25/04/17	
DRAWN	AMR / KD	
DRG. No.	C7Pi-CD-1.07.01 R1	



PAS 24 SECURITY OPTION

**HARDWARE LIST:**

TRANSOM CLOSER AND BOTTOM PIVOT FOR CD	1
IN078XSLF SECURITY TOP ARM ANGLE	1
STANDARD LOCK - PAGE C7Pi-CD-1.06 R1	2
LK745XSLF SECURITY CYLINDER	2
WS700XSLF BOTTOM PIVOT PROTECTOR	1

EXTERNAL CS795 BEAD FIXED IN PLACE  
WS902XSLF SECURITY GLAZING CLIP

ALL OTHER COMPONENTS AS PER STANDARD DOOR



SCALE	1: 20	@ A4
DATE	25/04/17	
DRAWN	AMR / KD	
DRG. No.	C7Pi-CD-1.07.02 R1	

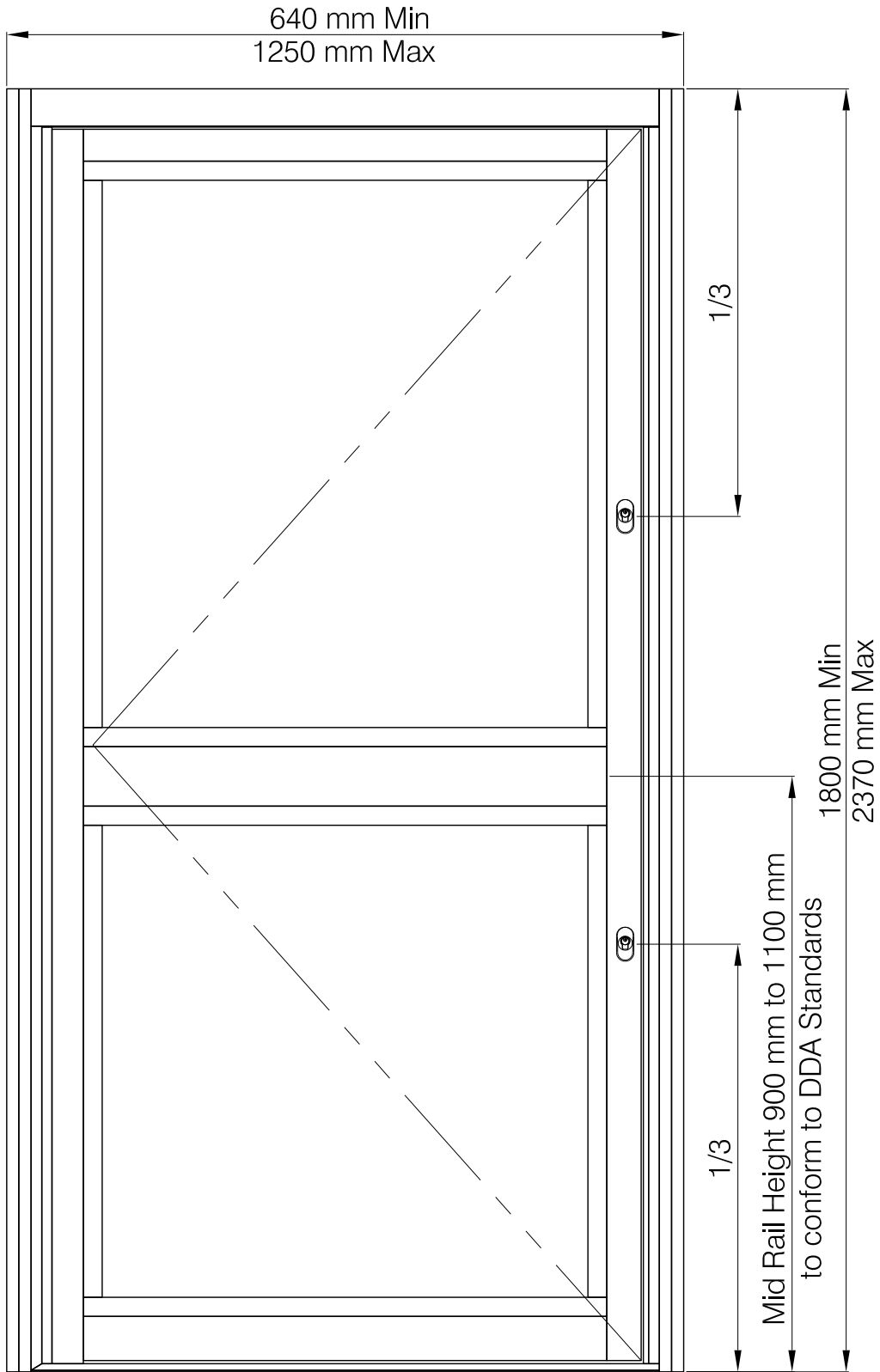


# comar 7P.i

TITLE **POLYAMIDE INSULATED DOORS  
COMAR 7Pi COMMERCIAL DOOR**

SUB TITLE **SECURITY OPTION  
LOCK AND MID RAIL POSITION**

SHEET No.  
**1.08**



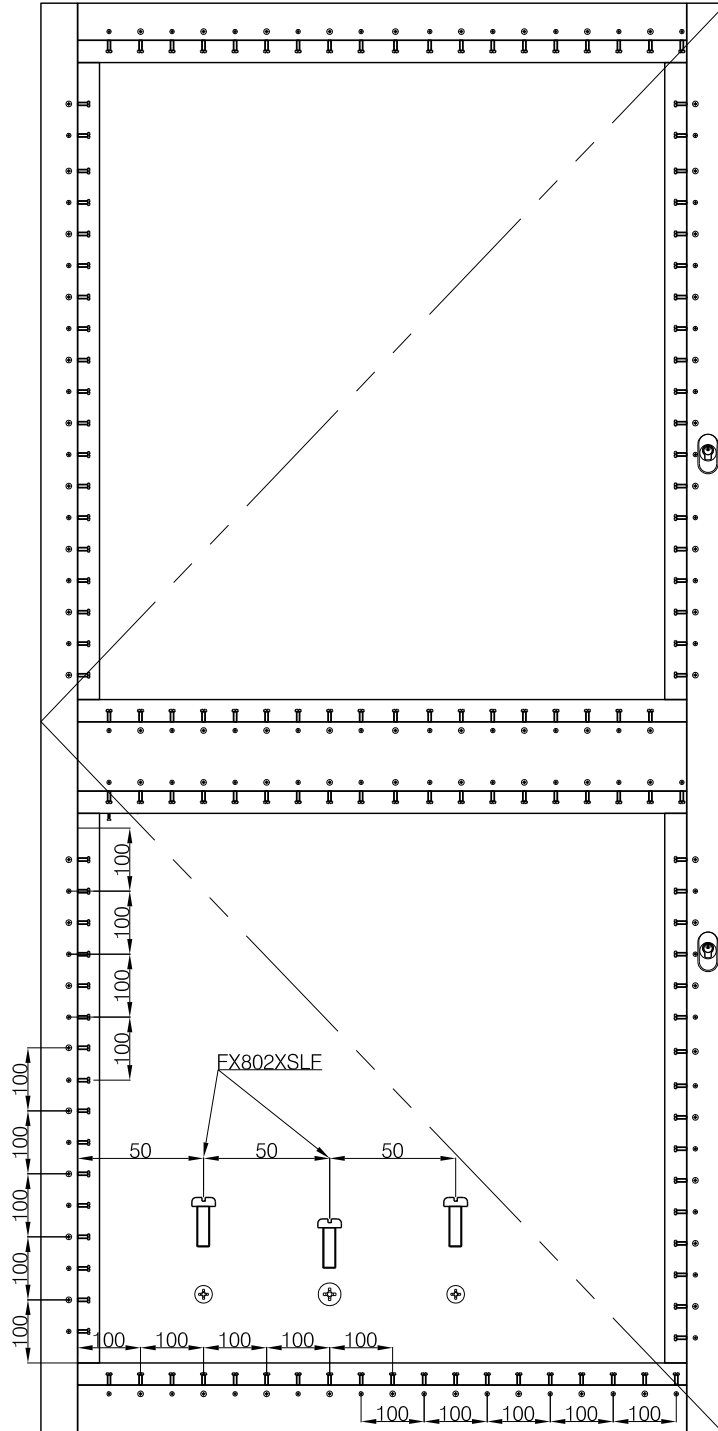
**comar**  
ARCHITECTURAL ALUMINIUM SYSTEMS



Copyright & ownership of this drawing is vested in COMAR Architectural Aluminium Systems, whose prior written consent is required for its use, reproduction or publication to any third party. All other rights reserved. Subject to modifications without prior notification

THE PARKSIDE GROUP LTD  
UNIT 5 ° THE WILLOW CENTRE  
17 WILLOW LANE ° MITCHAM  
SURREY ° CR4 4NX  
Tel: 020-8685 9685 Fax: 020-8687 1142  
Email: [technical@parksidegrp.co.uk](mailto:technical@parksidegrp.co.uk)  
Web Site: <http://www.comar-alu.co.uk>

SCALE	1: 16	© A4
DATE	24/09/14	
DRAWN	VM / KP	
DRG. No.	C7Pi-CD-1.08	R1

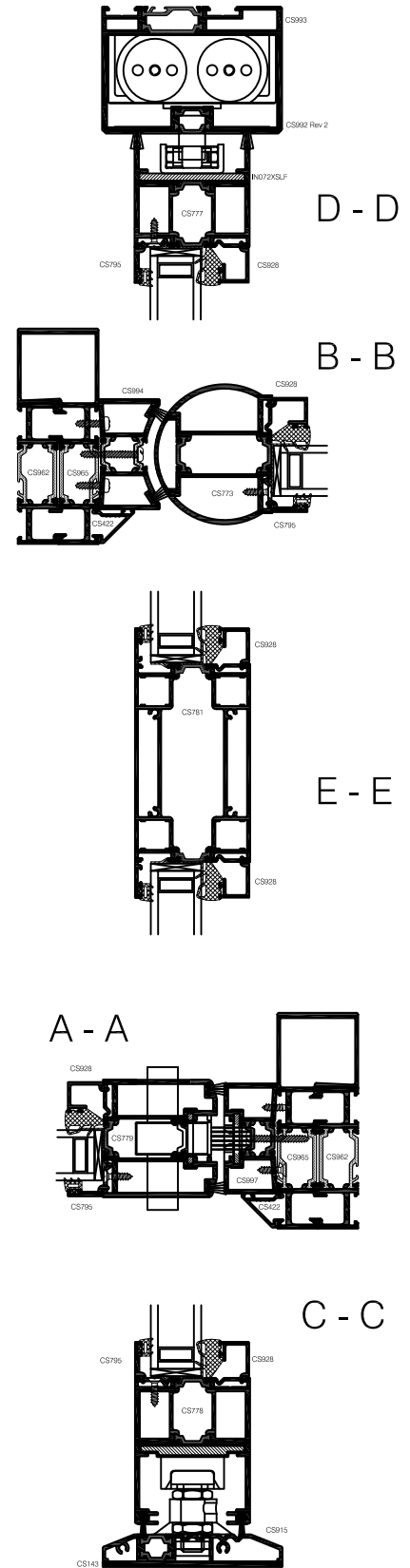
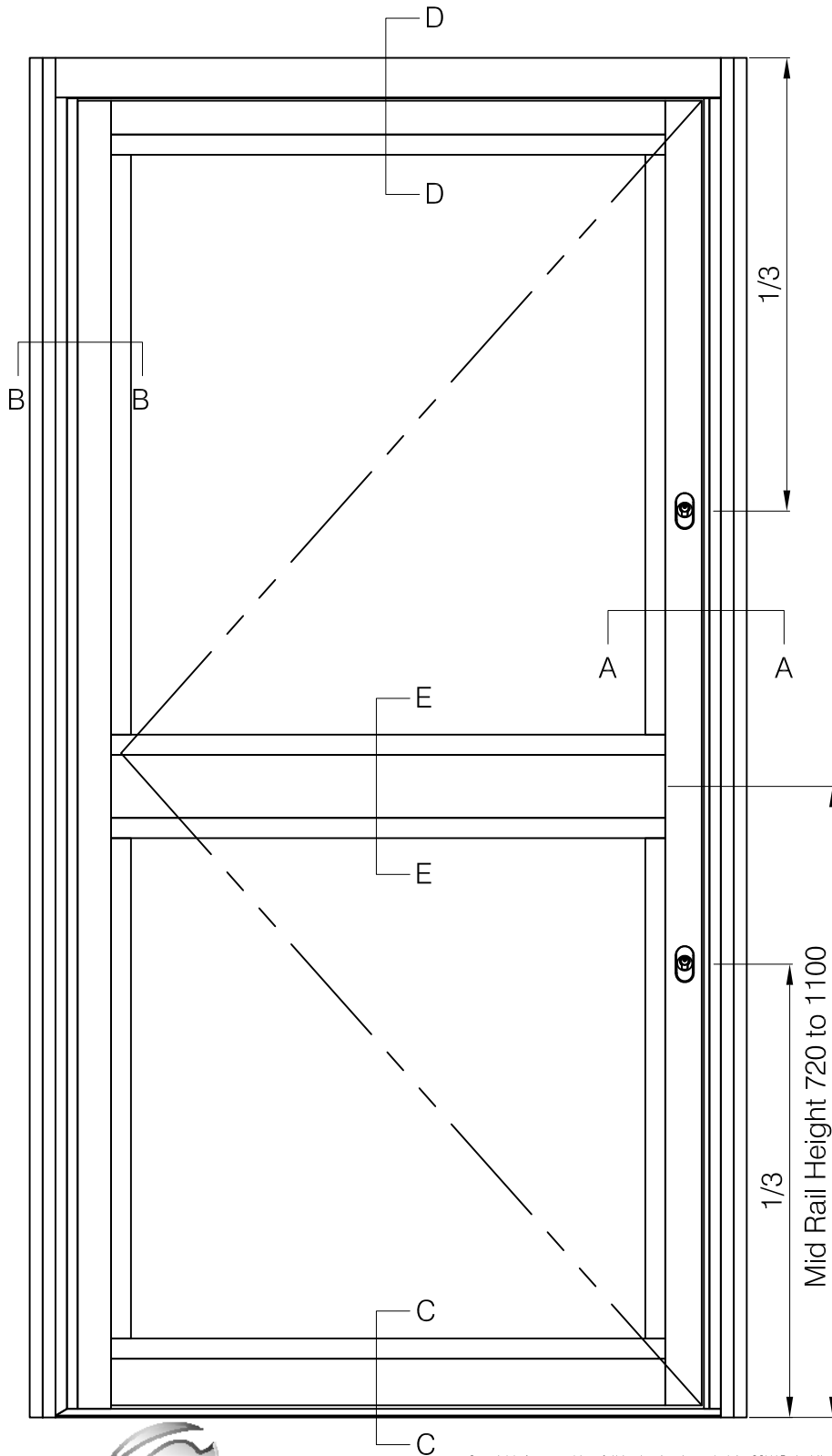


NOTE:  
FOR A SECURITY RATED DOOR  
THE SCREWS ARE TO BE  
INSTALLED AS PER THE MANUAL

SEE PAGE 3.31 FOR FURTHER  
DETAILS

Copyright & ownership of this drawing is vested in COMAR Architectural Aluminium Systems, whose prior written consent is required for its use, reproduction or publication to any third party. All other rights reserved. Subject to modifications without prior notification

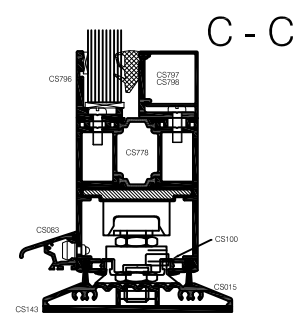
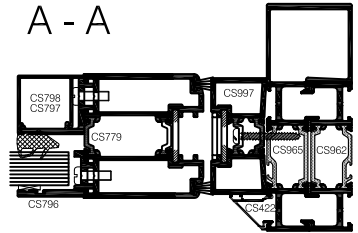
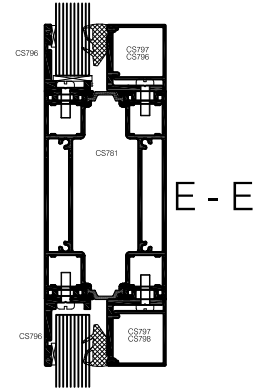
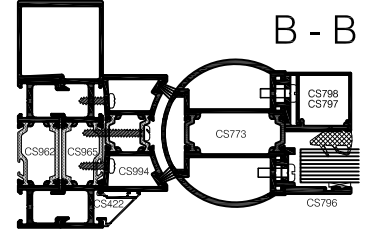
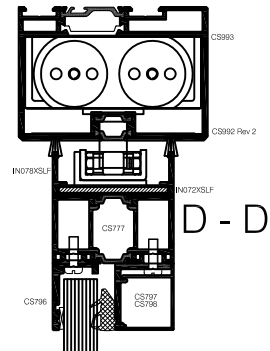
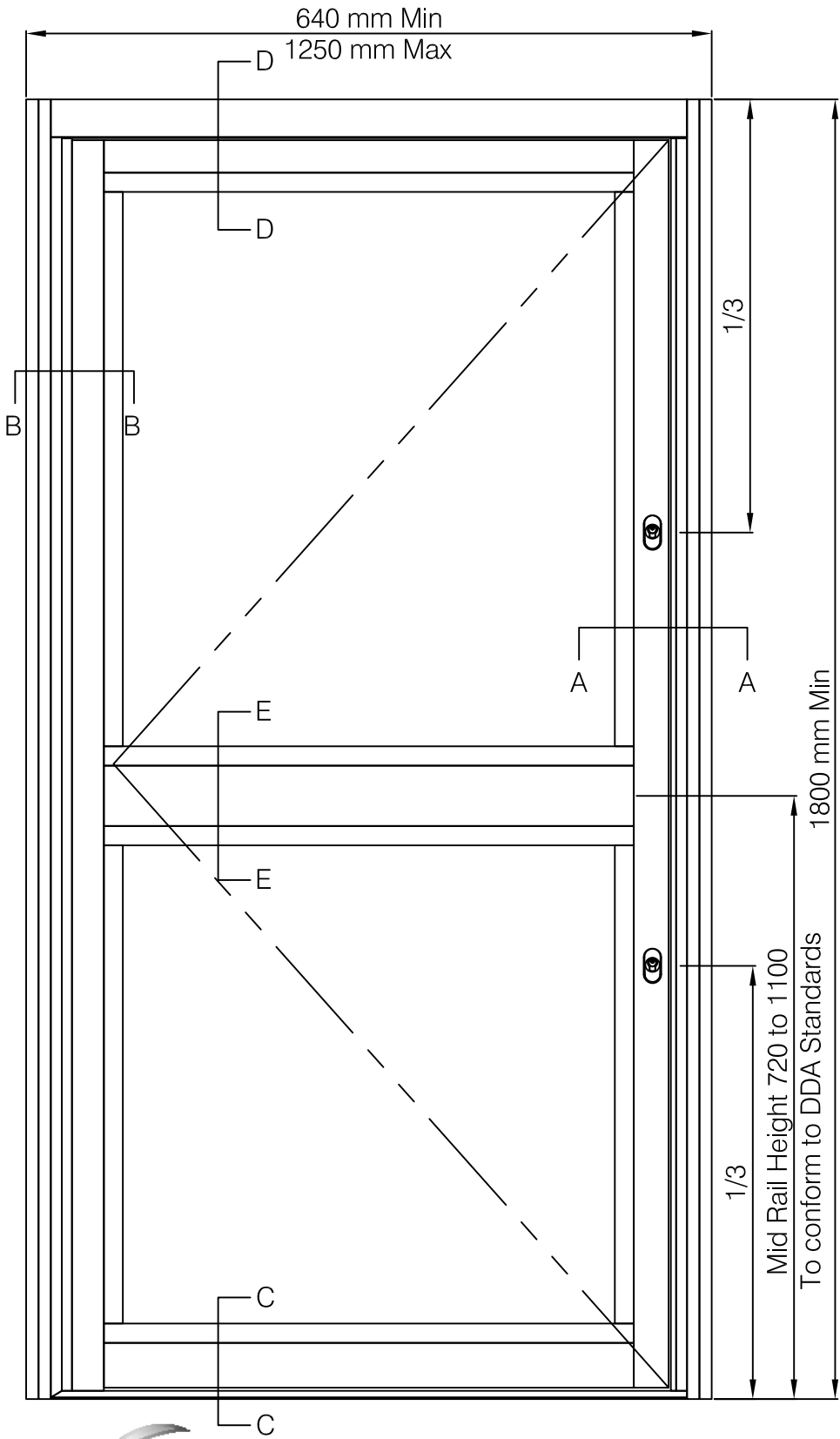
SCALE	1: 12	© A4
DATE	01/06/11	
DRAWN	VM / CAD	
DRG. No.	C7Pi-CD-1.09	R0



Copyright & ownership of this drawing is vested in COMAR Architectural Aluminium Systems, whose prior written consent is required for its use, reproduction or publication to any third party. All other rights reserved. Subject to modifications without prior notification

# comar 7P.i

TITLE	<b>POLYAMIDE INSULATED DOORS COMAR 7Pi COMMERCIAL DOOR</b>	SHEET No. <b>1.11</b>
SUB TITLE	<b>SECURITY OPTION OUTER FRAME AND DOOR FRAME WORKING DRAWING / DIAGRAM</b>	

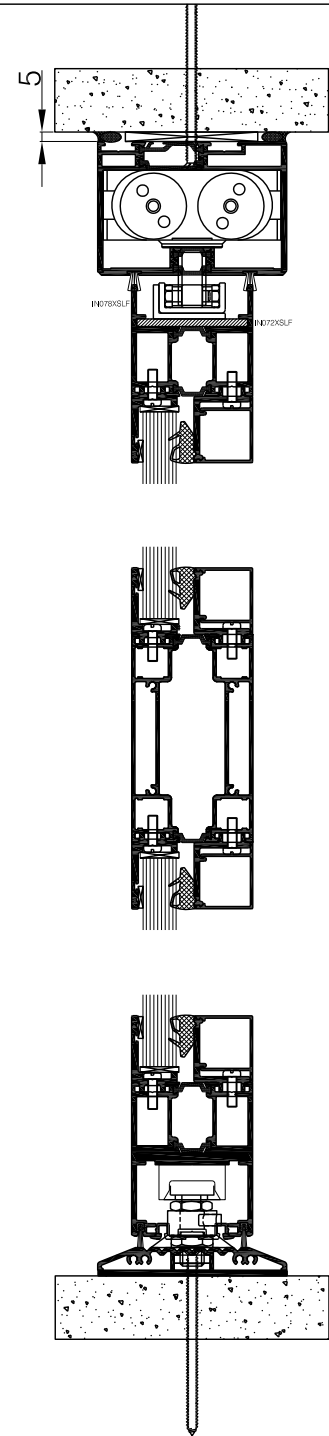
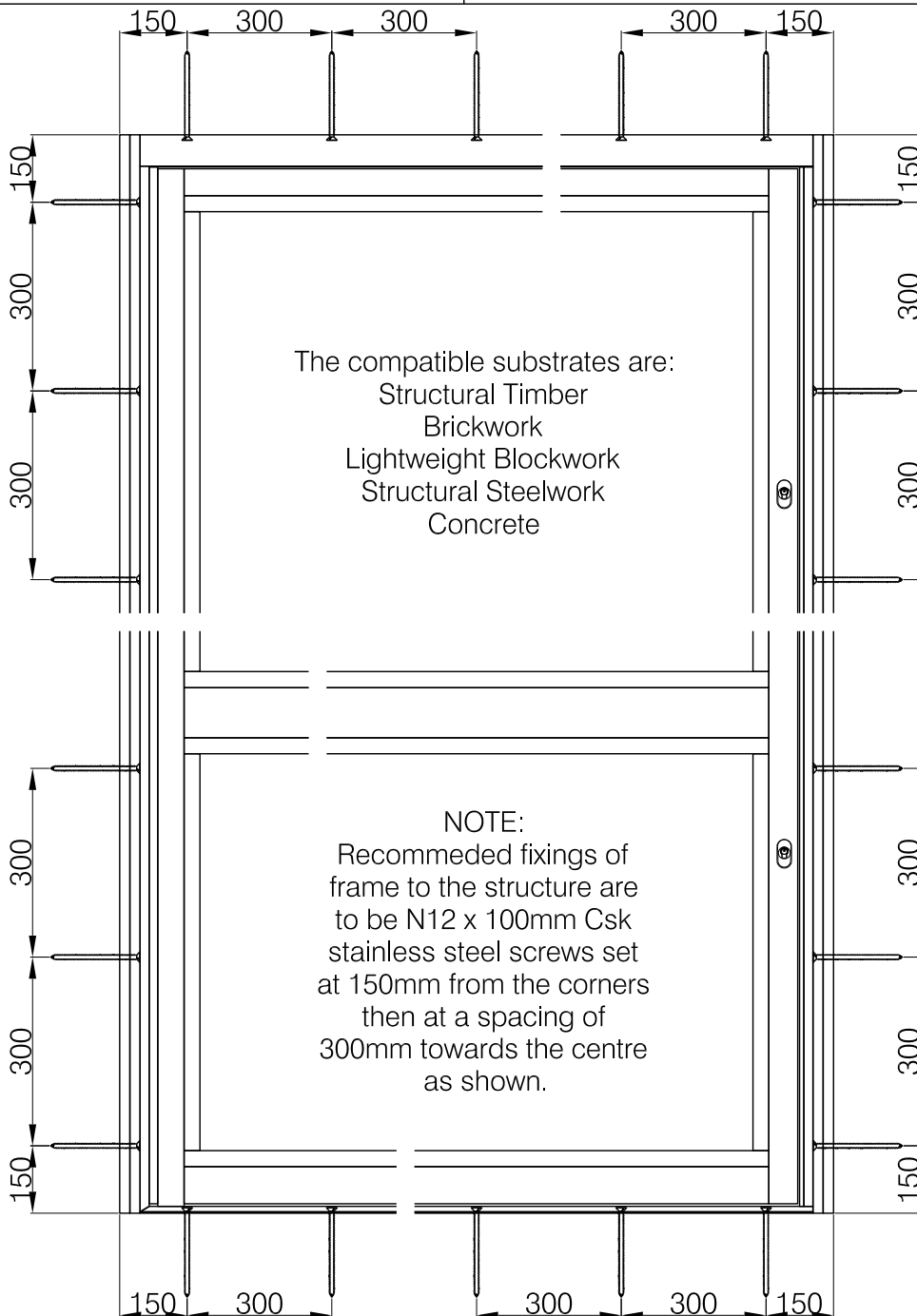


Copyright & ownership of this drawing is vested in COMAR Architectural Aluminium Systems, whose prior written consent is required for its use, reproduction or publication to any third party. All other rights reserved. Subject to modifications without prior notification

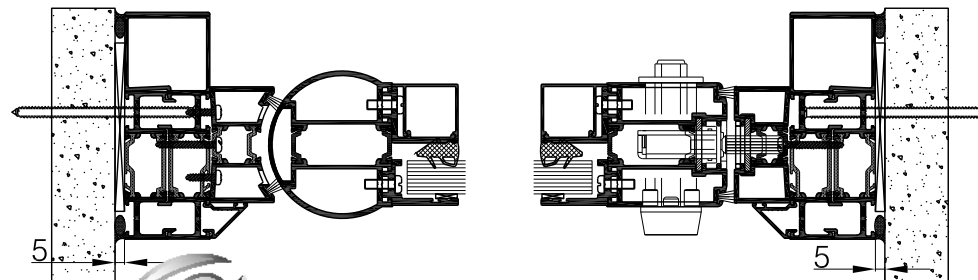


THE PARKSIDE GROUP LTD  
 UNIT 5 ° THE WILLOW CENTRE  
 17 WILLOW LANE ° MITCHAM  
 SURREY ° CR4 4NX  
 Tel: 020-8685 9685 Fax: 020-8687 1142  
 Email: technical@parksidegrp.co.uk  
 Web Site: http://www.comar-alu.co.uk

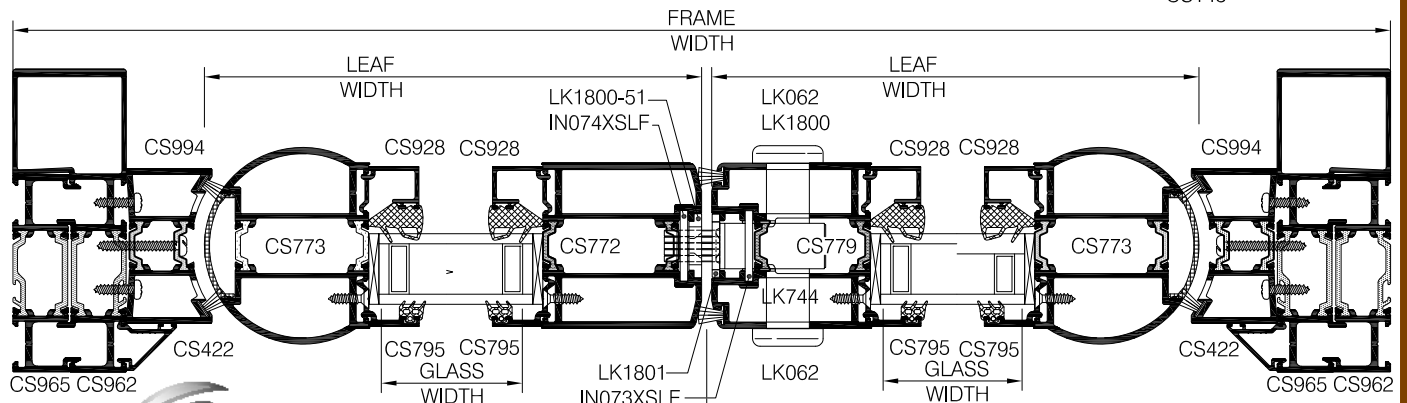
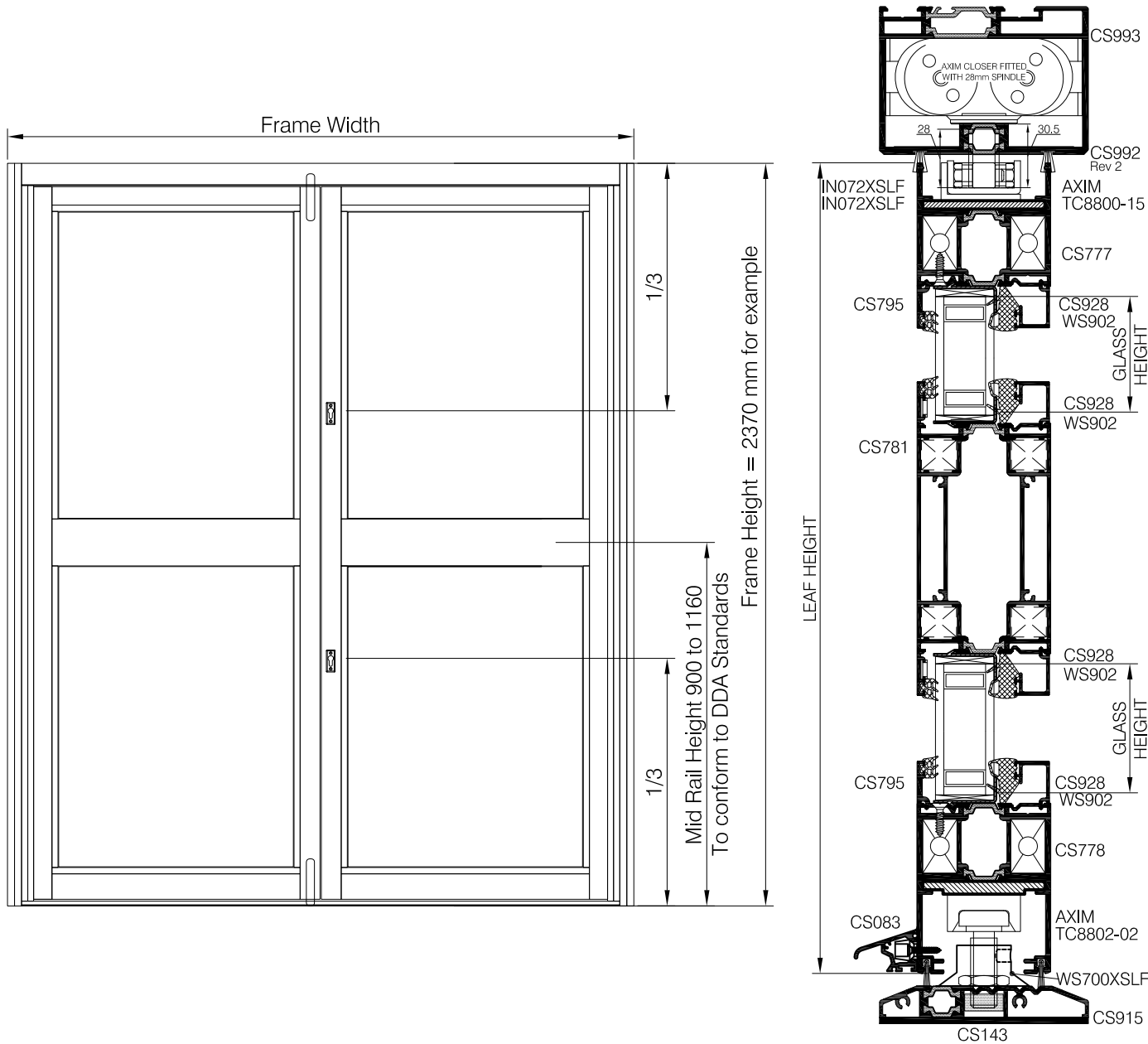
SCALE	NTS	@ A4
DATE	25/04/17	
DRAWN	VM / KD	
DRG. No.	C7Pi-CD-1.11	R2



NOTE:  
The maximum permissible gap between the frame and substrate is 8mm. Suitable plastic packers to be used.



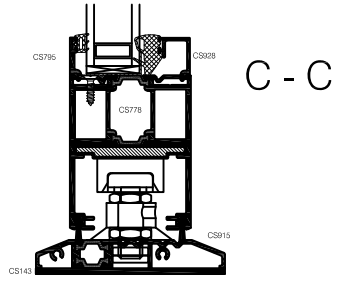
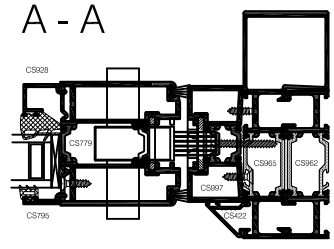
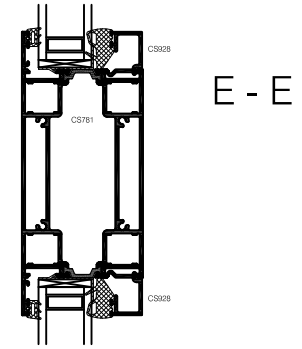
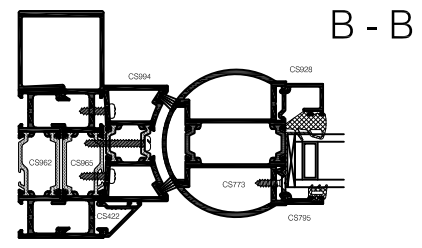
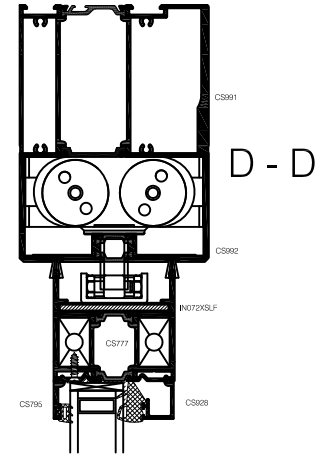
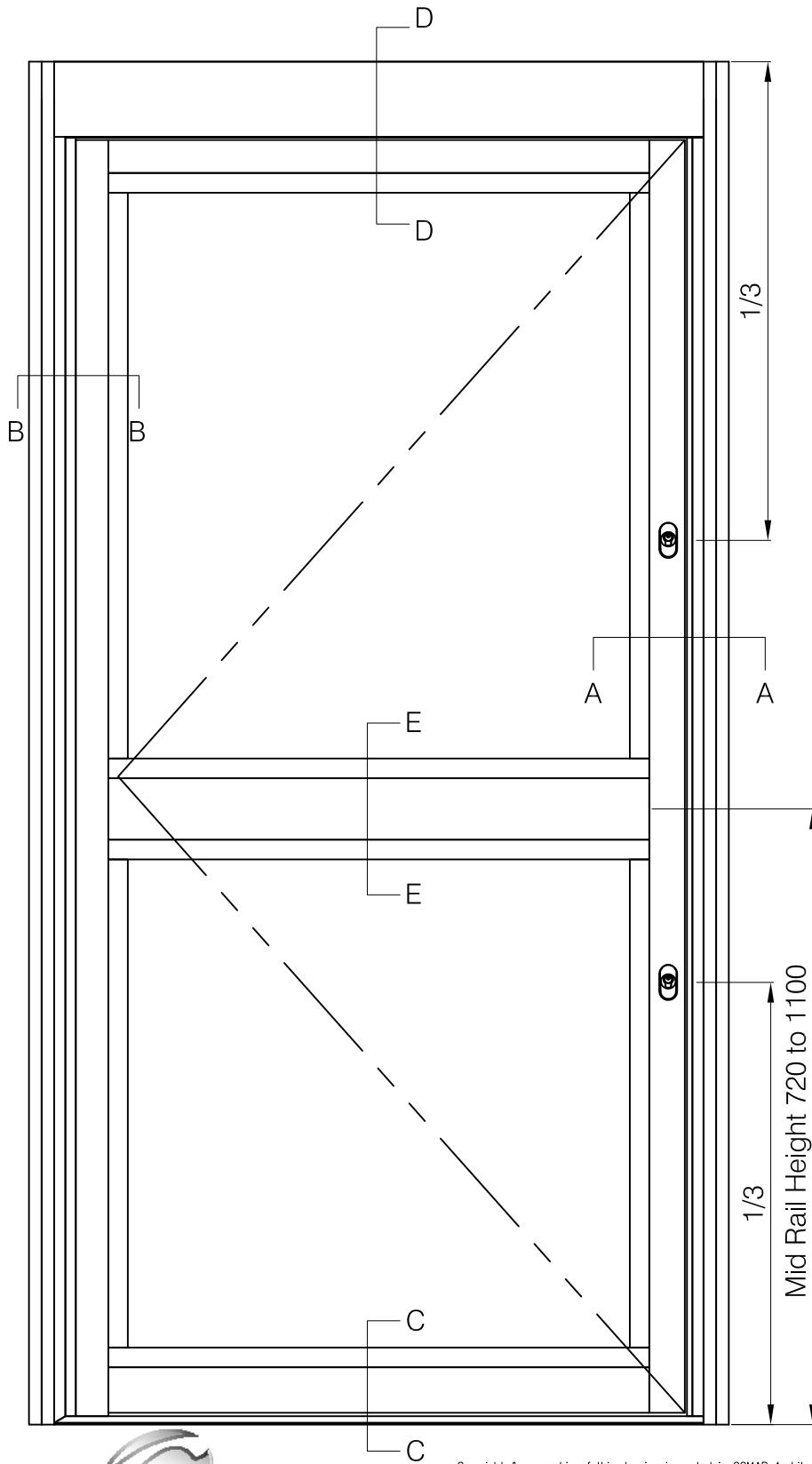
Copyright & ownership of this drawing is vested in COMAR Architectural Aluminium Systems, whose prior written consent is required for its use, reproduction or publication to any third party. All other rights reserved. Subject to modifications without prior notification



Copyright & ownership of this drawing is vested in COMAR Architectural Aluminium Systems, whose prior written consent is required for its use, reproduction or publication to any third party. All other rights reserved. Subject to modifications without prior notification

# comar 7P.i

TITLE	<b>POLYAMIDE INSULATED DOORS COMAR 7Pi COMMERCIAL DOOR</b>	SHEET No. <b>1.14</b>
SUB TITLE	<b>STANDARD OPTION OUTER FRAME AND DOOR FRAME WORKING DRAWING / DIAGRAM</b>	



Copyright & ownership of this drawing is vested in COMAR Architectural Aluminium Systems, whose prior written consent is required for its use, reproduction or publication to any third party. All other rights reserved. Subject to modifications without prior notification

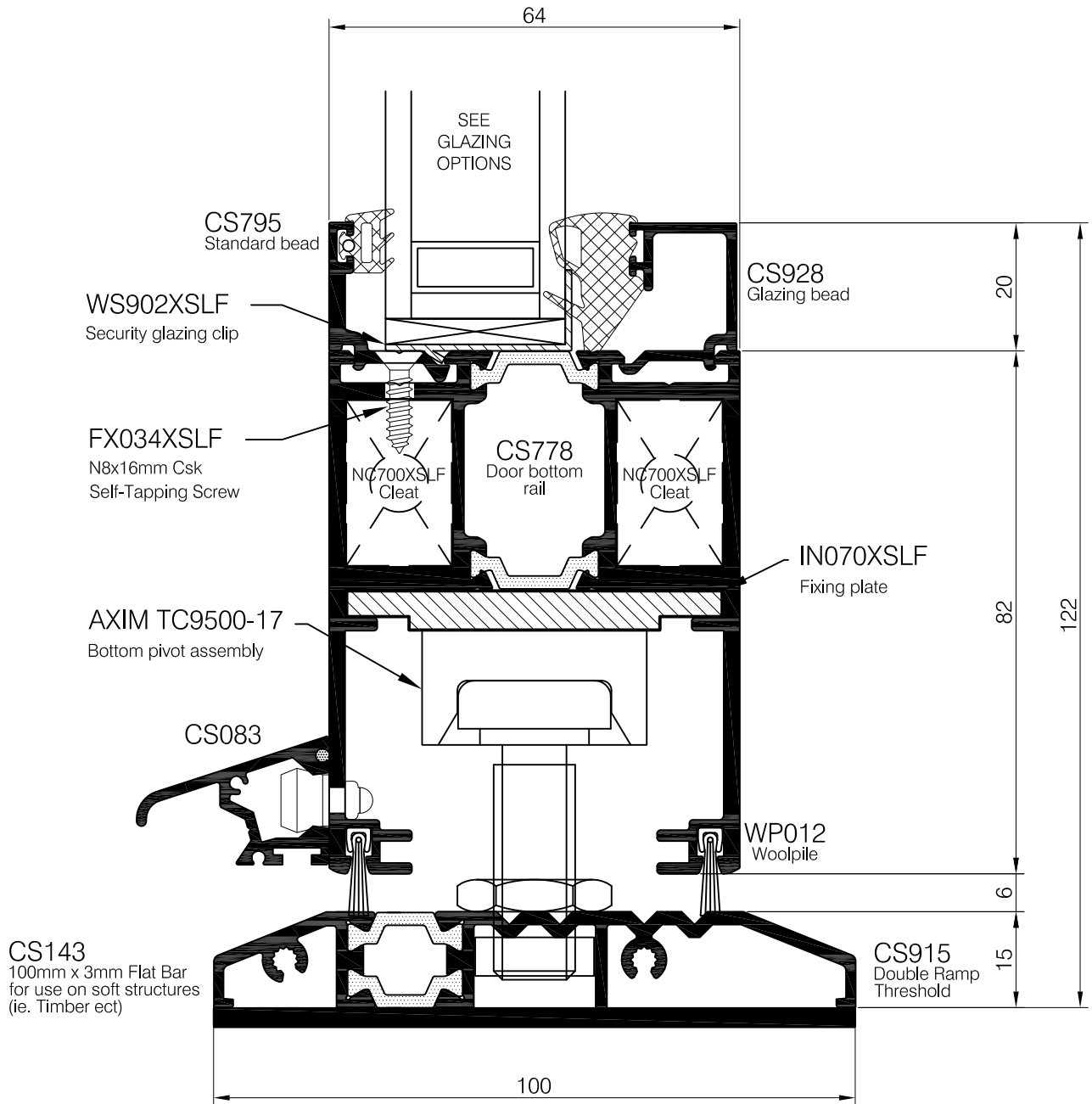


THE PARKSIDE GROUP LTD  
 UNIT 5 ° THE WILLOW CENTRE  
 17 WILLOW LANE ° MITCHAM  
 SURREY ° CR4 4NX  
 Tel: 020-8685 9685 Fax: 020-8687 1142  
 Email: technical@parksidegrp.co.uk  
 Web Site: http://www.comar-alu.co.uk

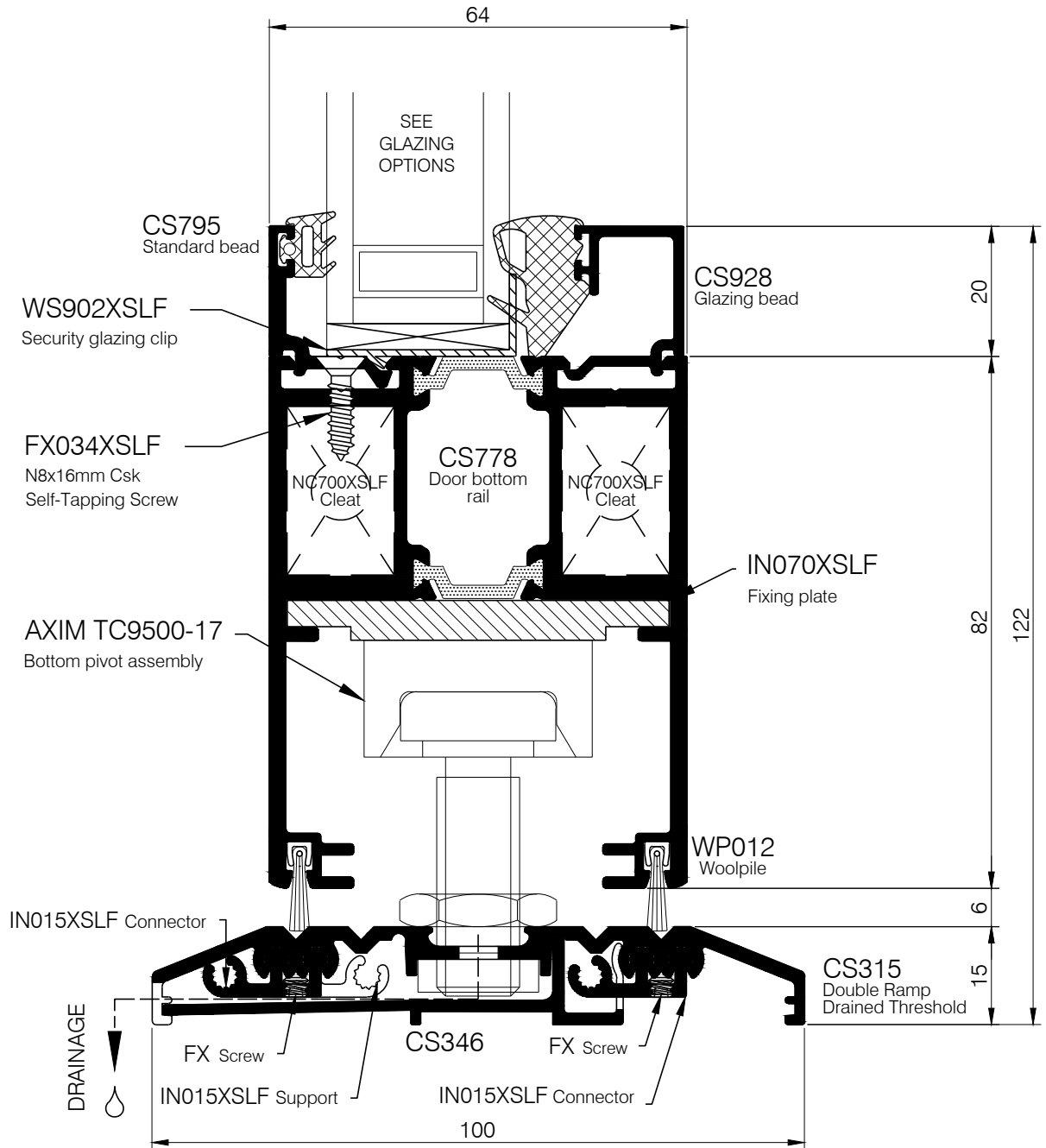
SCALE	NTS	@ A4
DATE	21/03/17	
DRAWN	NS/CAD	
DRG. No.	C7Pi-CD-1.10	R0







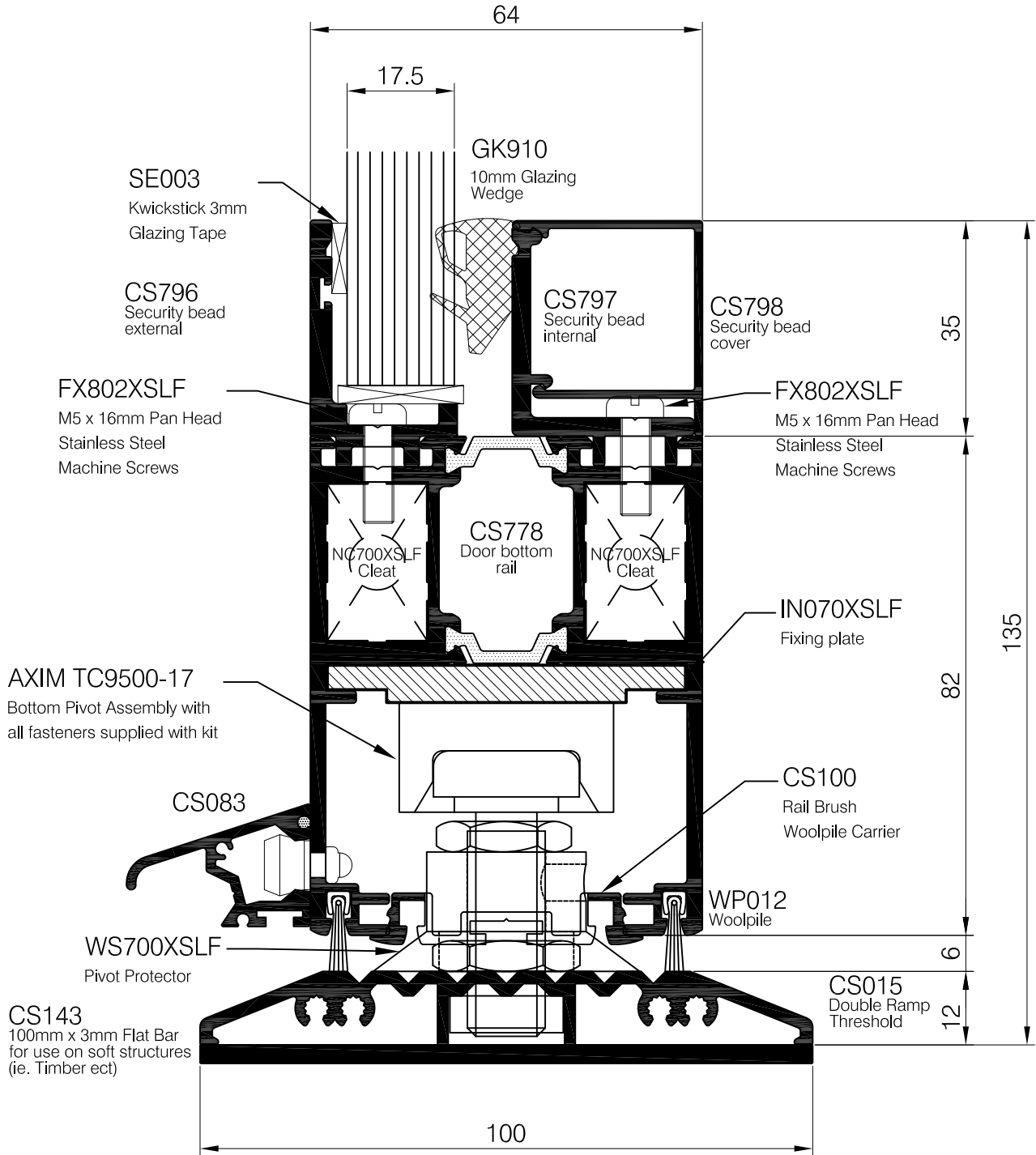
SCALE	1:1	© A4
DATE	24/04/17	
DRAWN	VM / KD	
DRG. No.	C7Pi-CD-2.01	R2



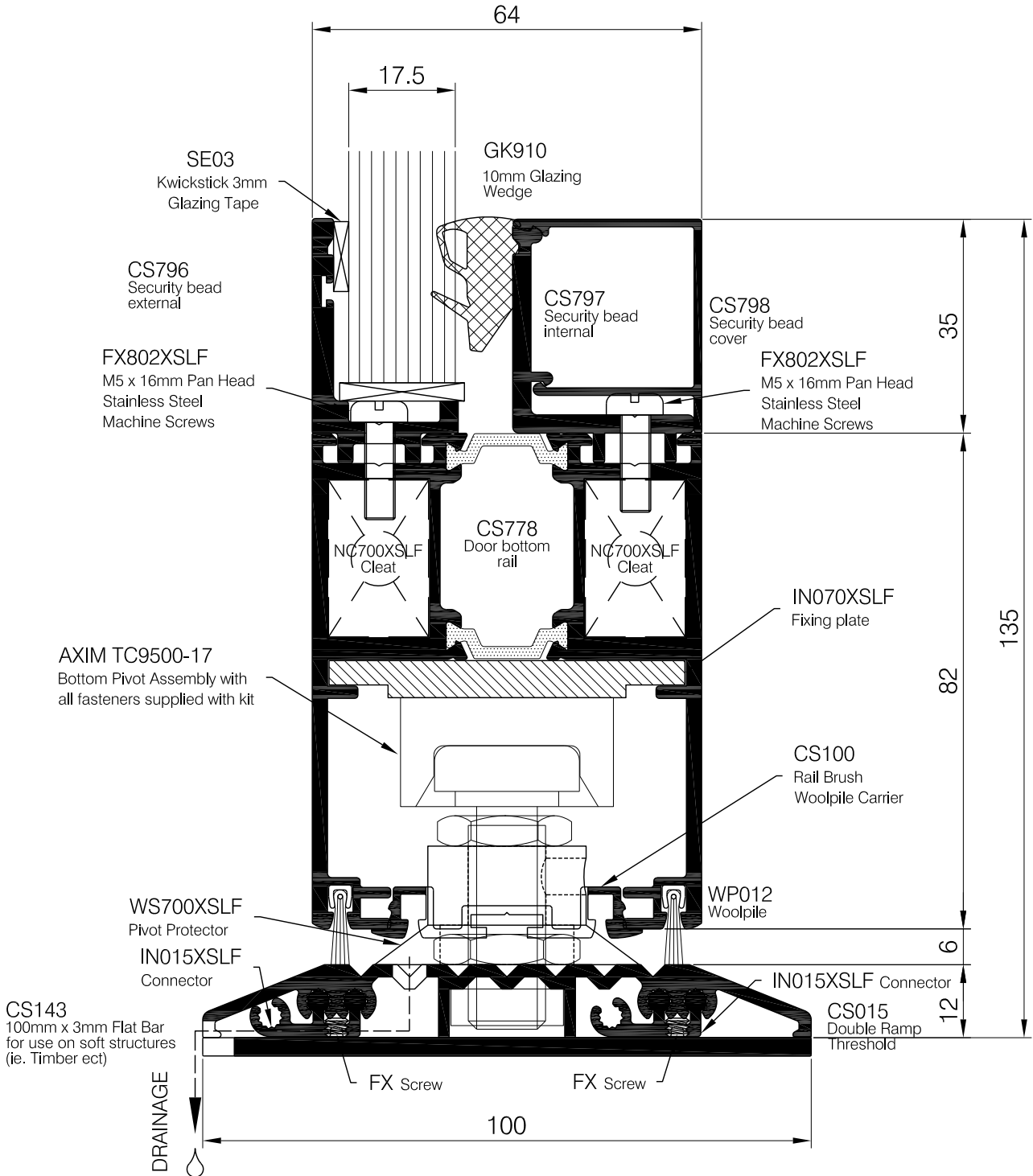
Copyright & ownership of this drawing is vested in COMAR Architectural Aluminium Systems, whose prior written consent is required for its use, reproduction or publication to any third party. All other rights reserved. Subject to modifications without prior notification



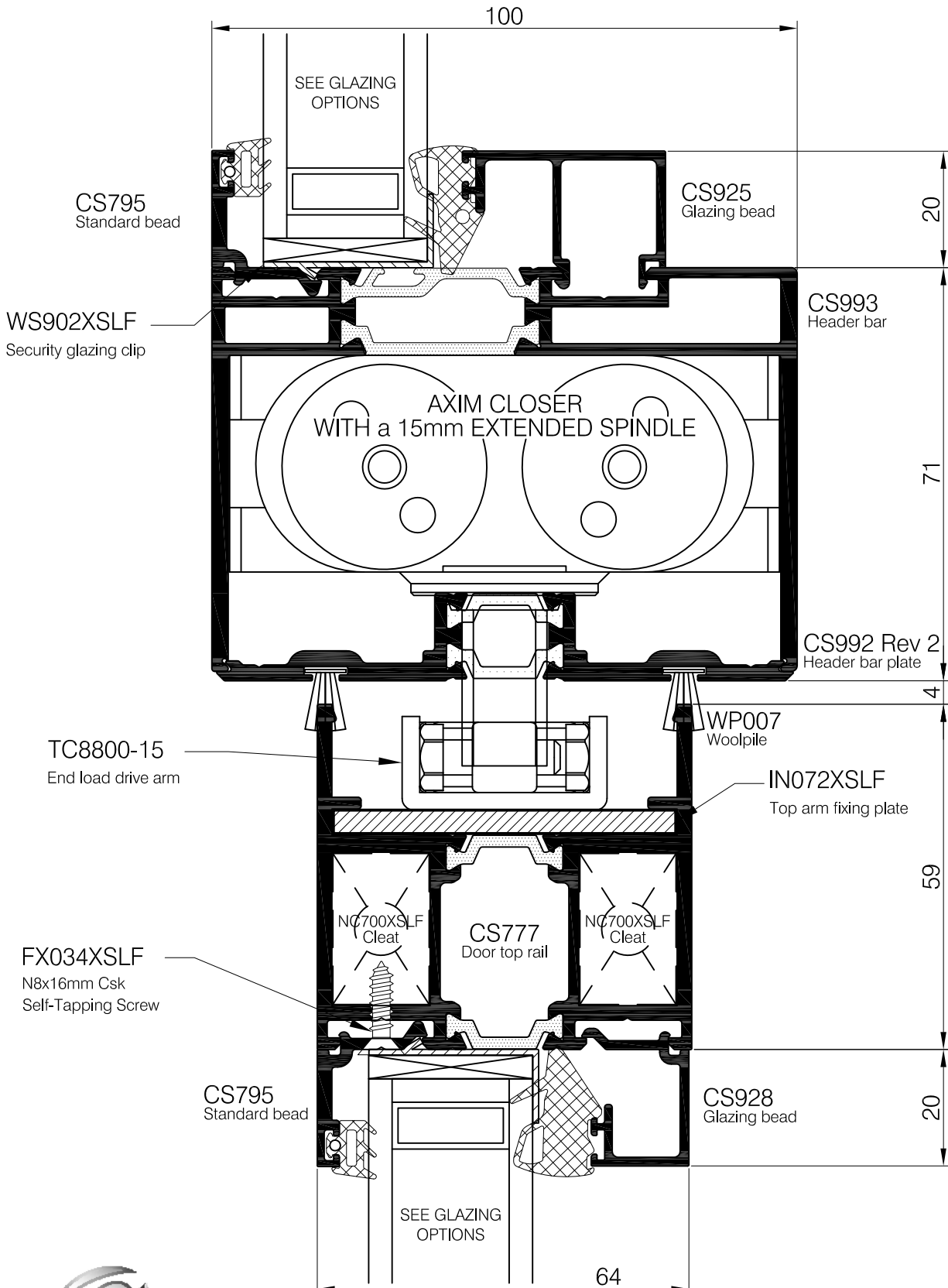
SCALE	1:1	© A4
DATE	01/12/16	
DRAWN	KP / NRA	
DRG. No.	C7Pi-CD-2.01.1	



Copyright & ownership of this drawing is vested in COMAR Architectural Aluminium Systems, whose prior written consent is required for its use, reproduction or publication to any third party. All other rights reserved. Subject to modifications without prior notification



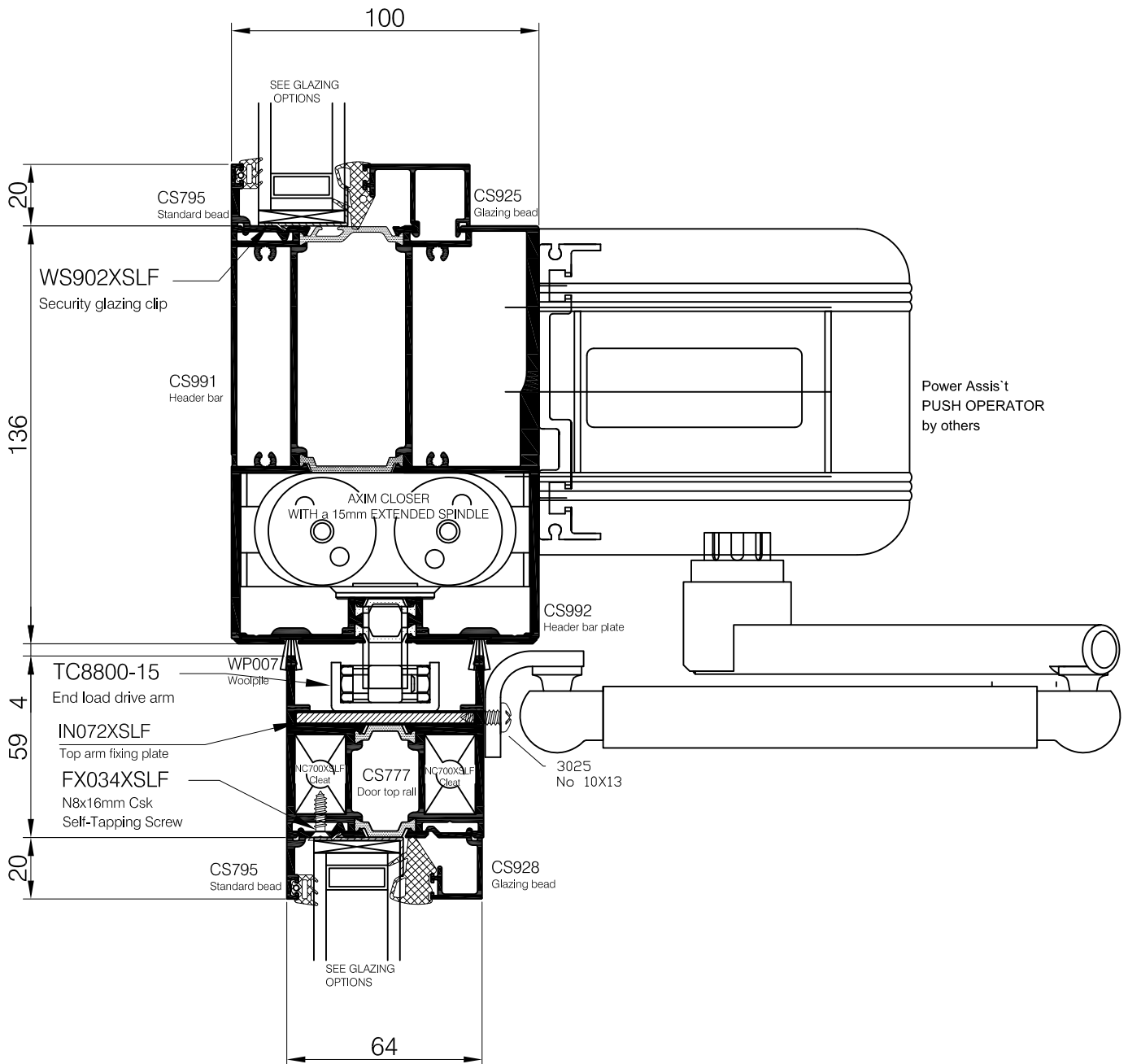
Copyright & ownership of this drawing is vested in COMAR Architectural Aluminium Systems, whose prior written consent is required for its use, reproduction or publication to any third party. All other rights reserved. Subject to modifications without prior notification



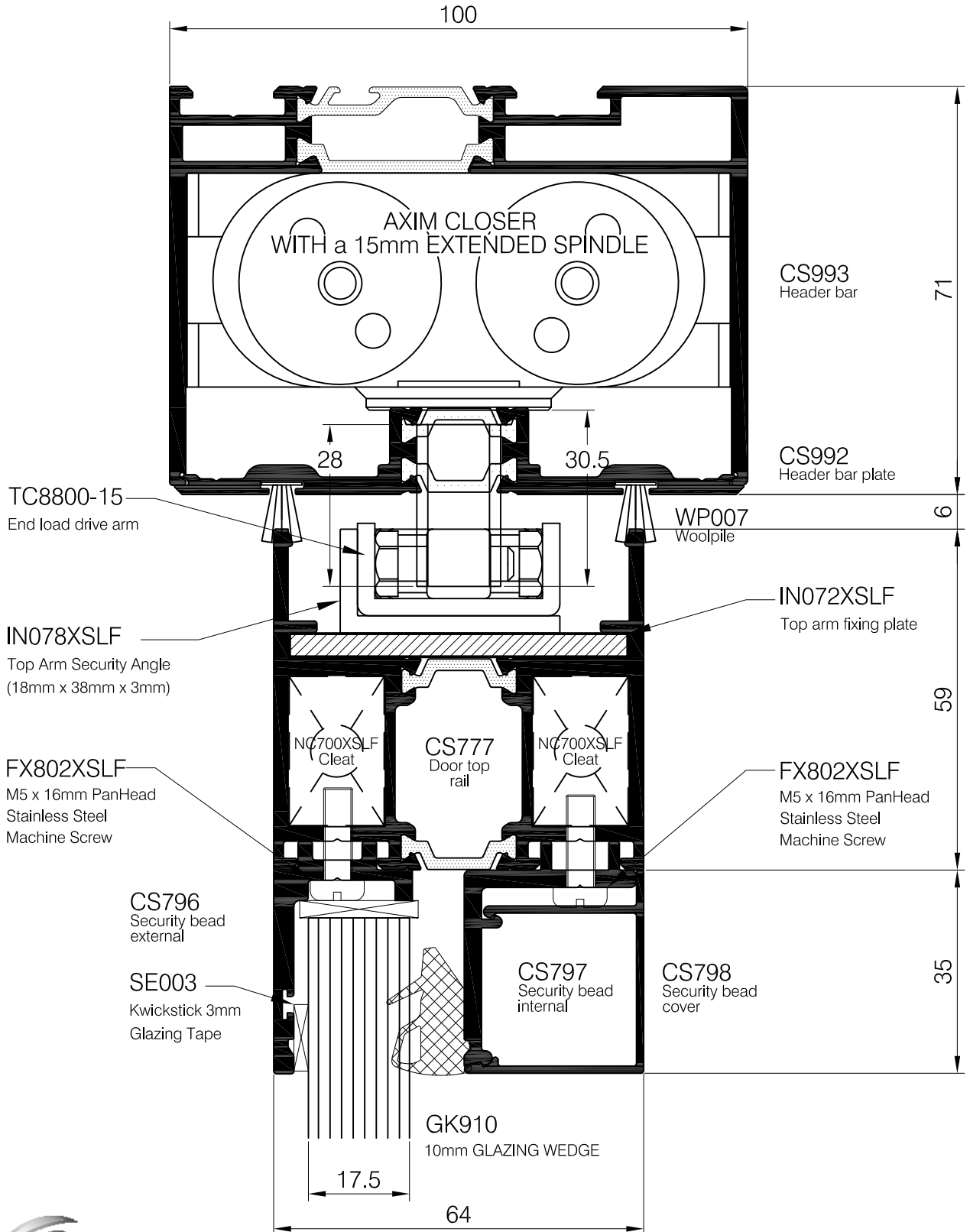
Copyright & ownership of this drawing is vested in COMAR Architectural Aluminium Systems, whose prior written consent is required for its use, reproduction or publication to any third party. All other rights reserved. Subject to modifications without prior notification



SCALE	1:1	© A4
DATE	25/04/17	
DRAWN	VM / KD	
DRG. No.	C7Pi-CD-2.03	R2



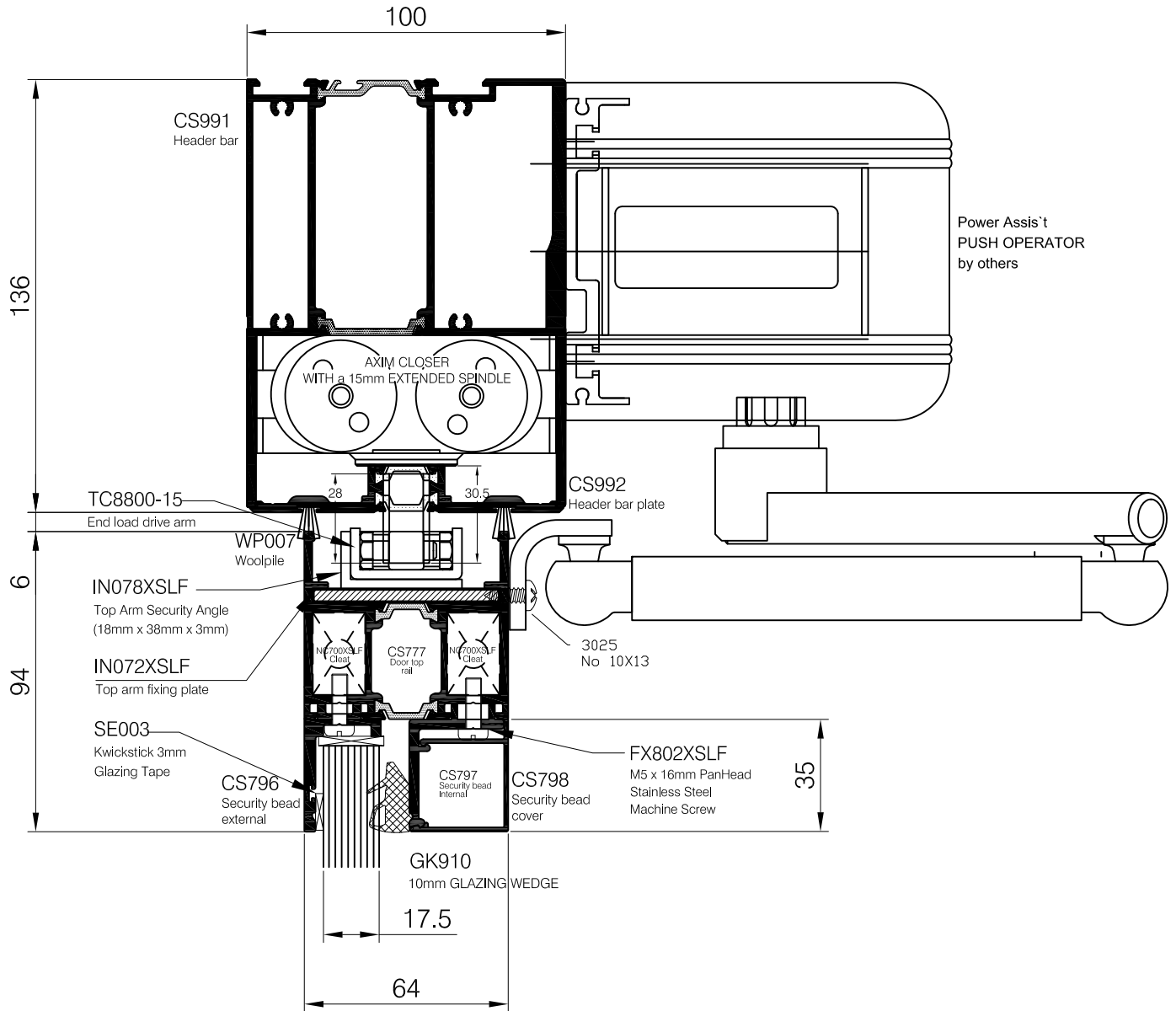
SCALE	1: 2	@ A4
DATE	24/04/17	
DRAWN	NS / KD	
DRG. No.	C7Pi-CD-2.03.1	RO



Copyright & ownership of this drawing is vested in COMAR Architectural Aluminium Systems, whose prior written consent is required for its use, reproduction or publication to any third party. All other rights reserved. Subject to modifications without prior notification



SCALE	1:1	© A4
DATE	24/04/17	
DRAWN	VM/KD	
DRG. No.	C7Pi-CD-2.04	R1



Copyright & ownership of this drawing is vested in COMAR Architectural Aluminium Systems, whose prior written consent is required for its use, reproduction or publication to any third party. All other rights reserved. Subject to modifications without prior notification



comar 7P.i

TITLE  
**POLYAMIDE INSULATED DOORS  
COMAR 7Pi COMMERCIAL DOOR**

SHEET No.  
**2.04.2**

SUB TITLE  
**INTENTIONALLY BLANK**



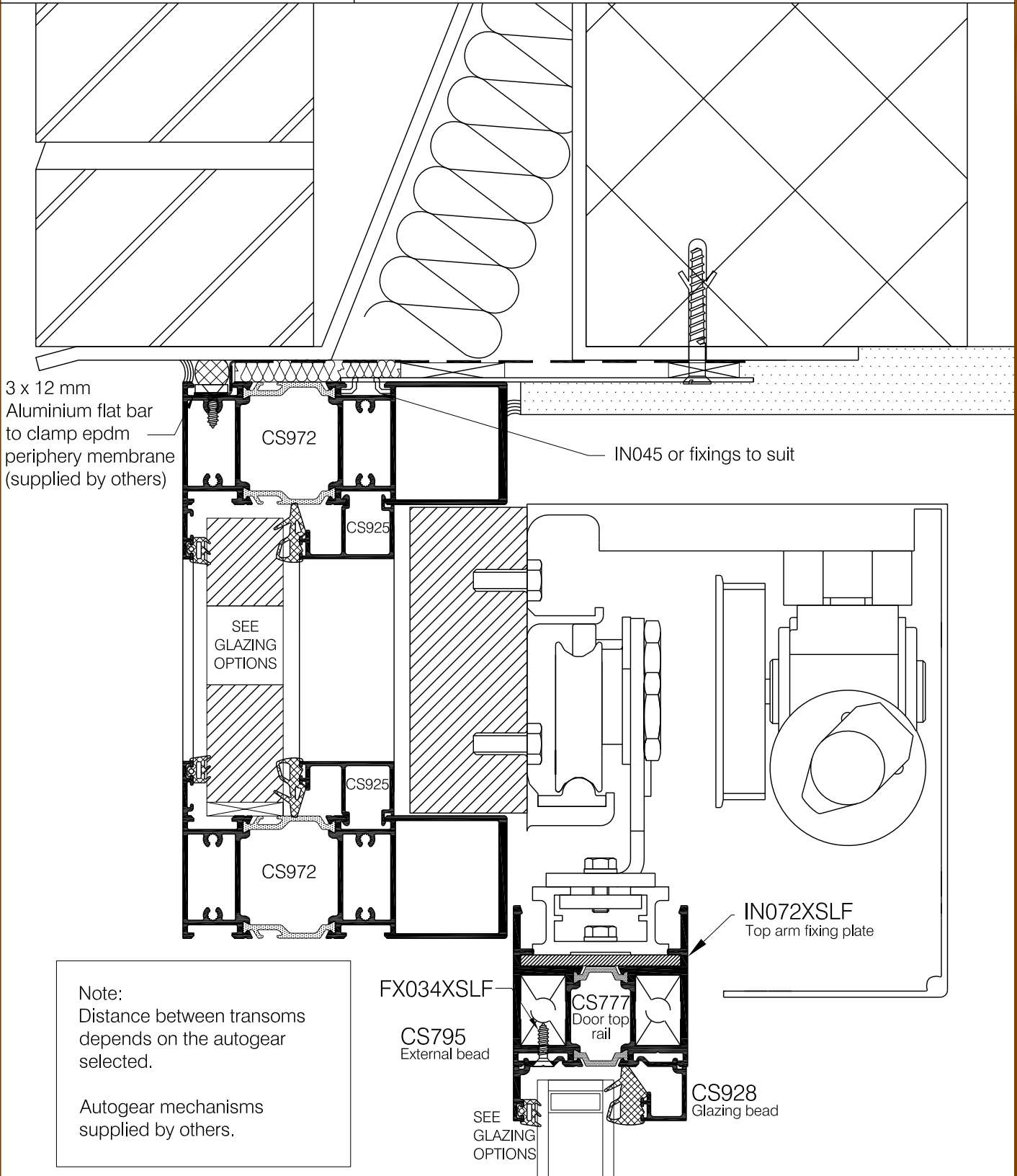
**comar**  
ARCHITECTURAL ALUMINIUM SYSTEMS



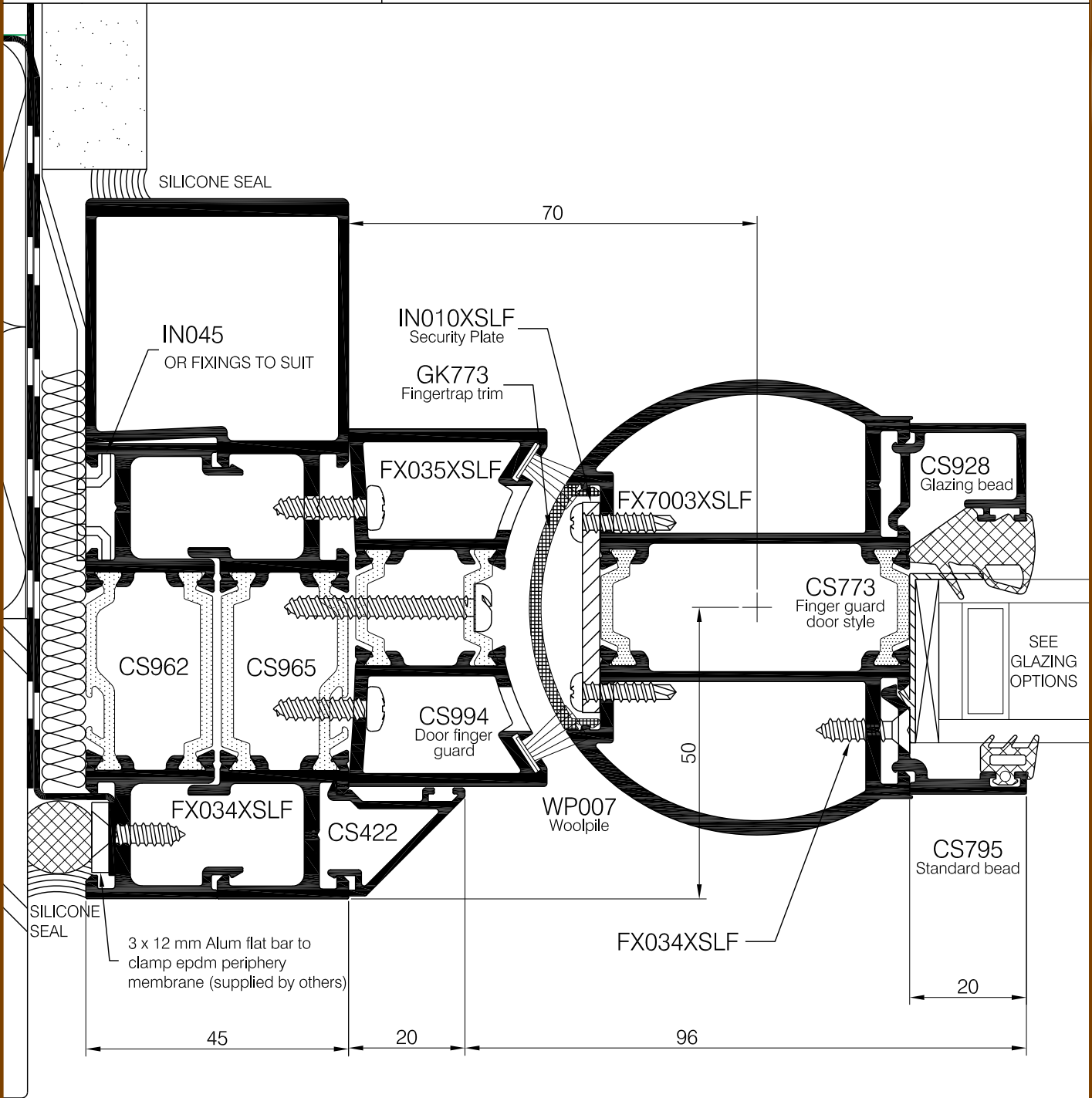
Copyright & ownership of this drawing is vested in COMAR Architectural Aluminium Systems, whose prior written consent is required for its use, reproduction or publication to any third party. All other rights reserved. Subject to modifications without prior notification

THE PARKSIDE GROUP LTD  
UNIT 5 ° THE WILLOW CENTRE  
17 WILLOW LANE ° MITCHAM  
SURREY ° CR4 4NX  
Tel: 020-8685 9685 Fax: 020-8687 1142  
Email: [technical@parksidegrp.co.uk](mailto:technical@parksidegrp.co.uk)  
Web Site: <http://www.comar-alu.co.uk>

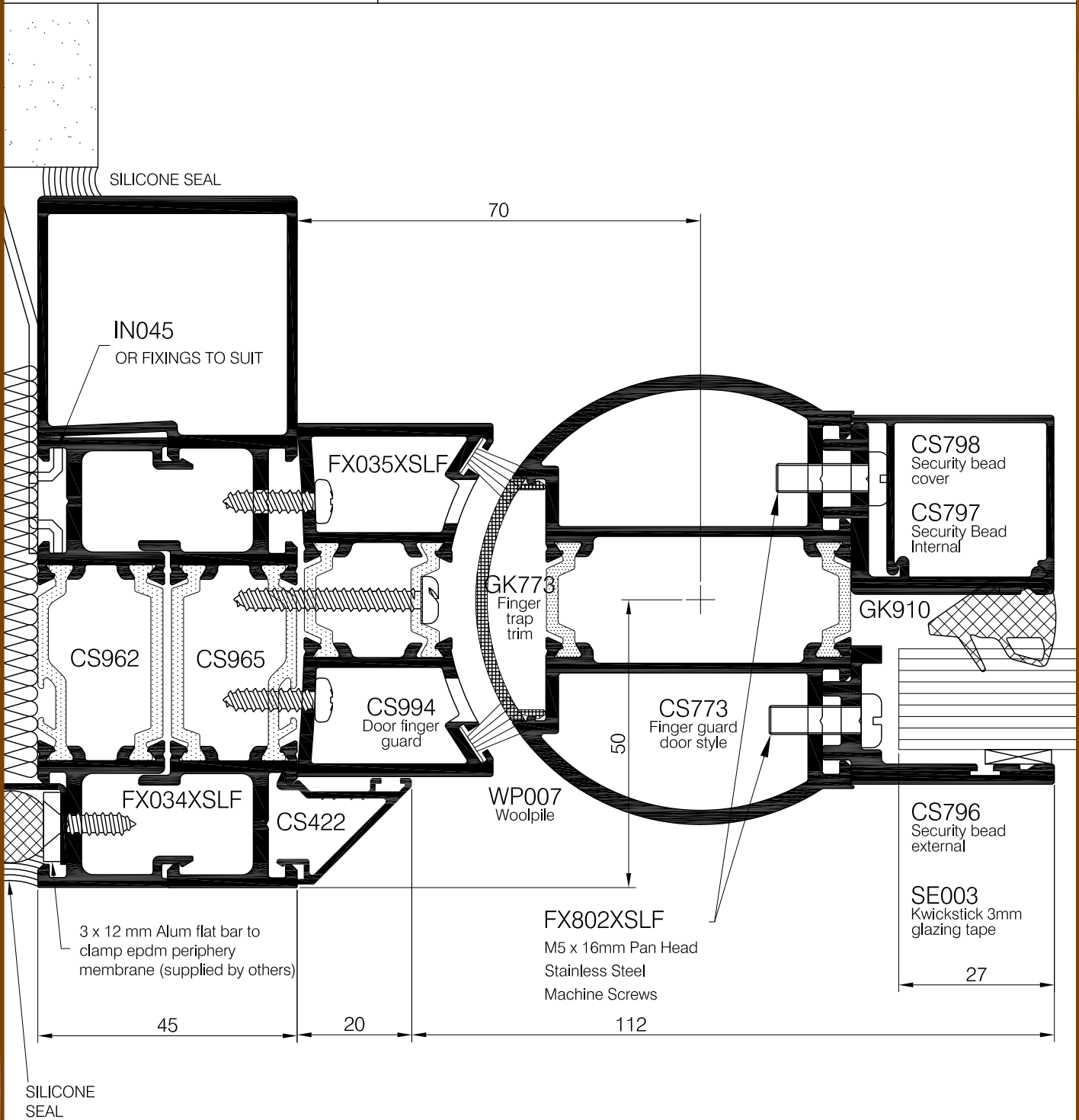
SCALE	1:1	@ A4
DATE	25/04/17	
DRAWN	KD	
DRG. No.	C7Pi-CD-2.04.2 R0	



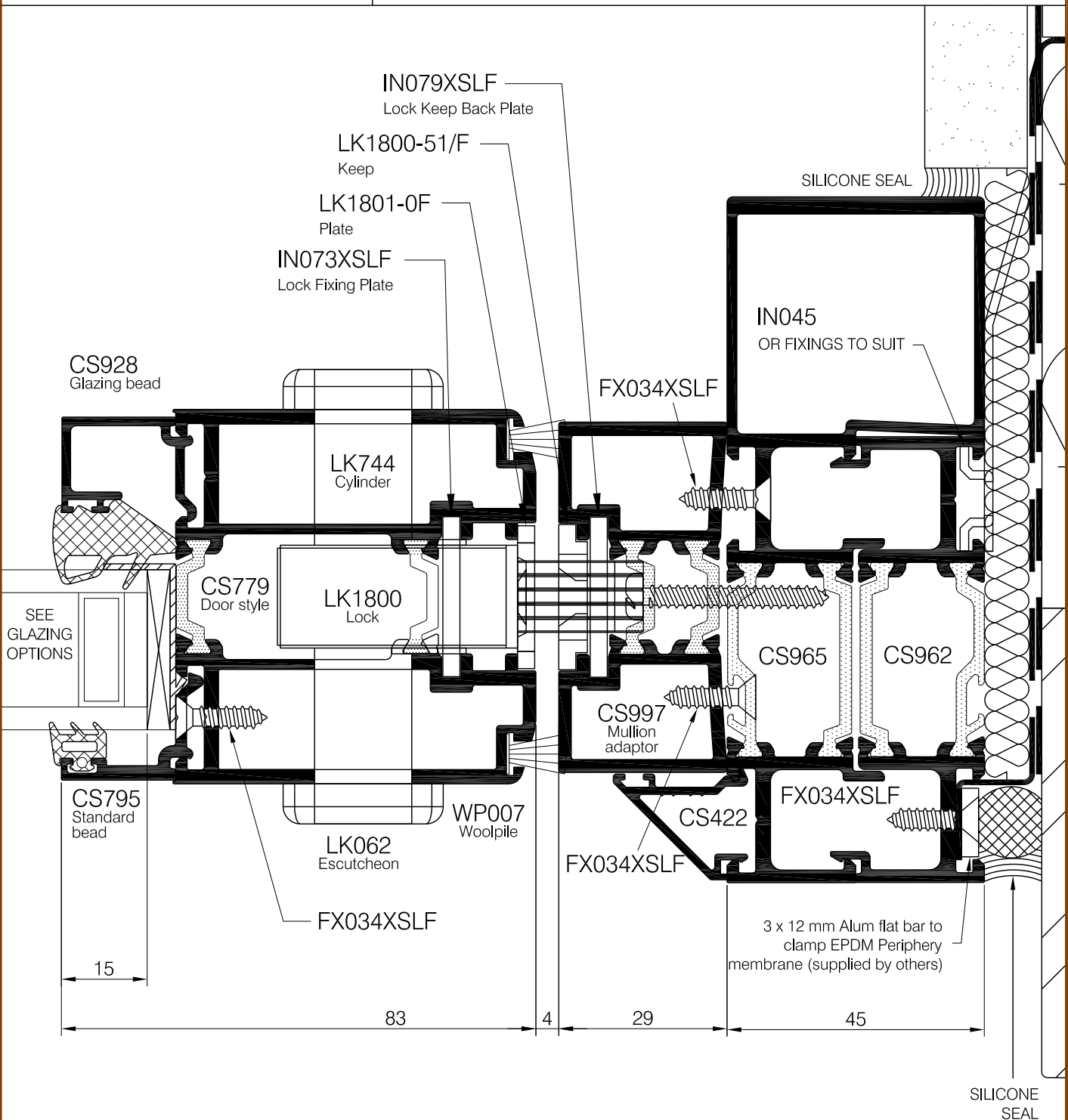
Copyright & ownership of this drawing is vested in COMAR Architectural Aluminium Systems, whose prior written consent is required for its use, reproduction or publication to any third party. All other rights reserved. Subject to modifications without prior notification



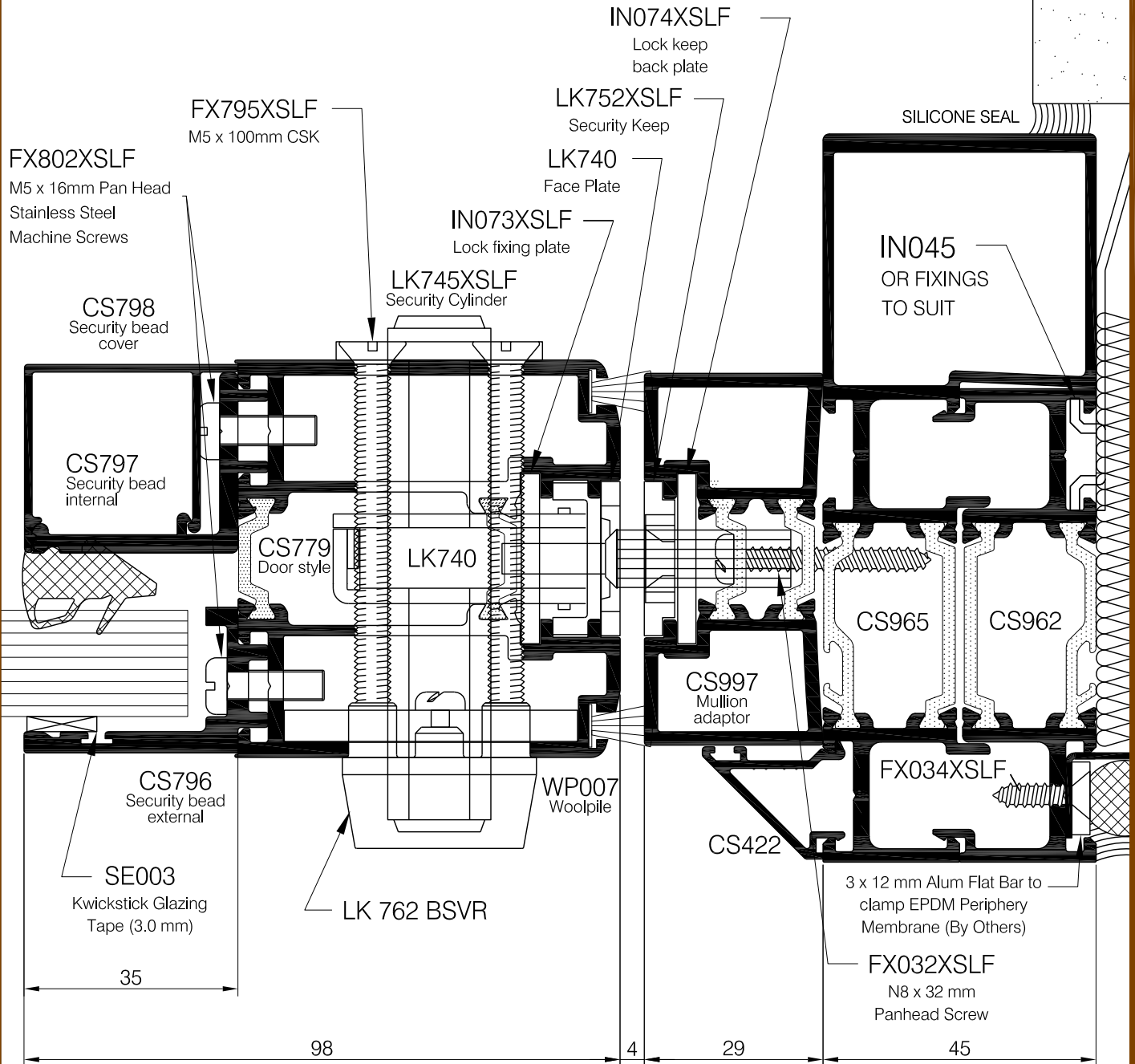
SCALE	1:1	© A4
DATE	24/09/14	
DRAWN	VM/KP	
DRG. No.	C7Pi-CD-2.06 R1	



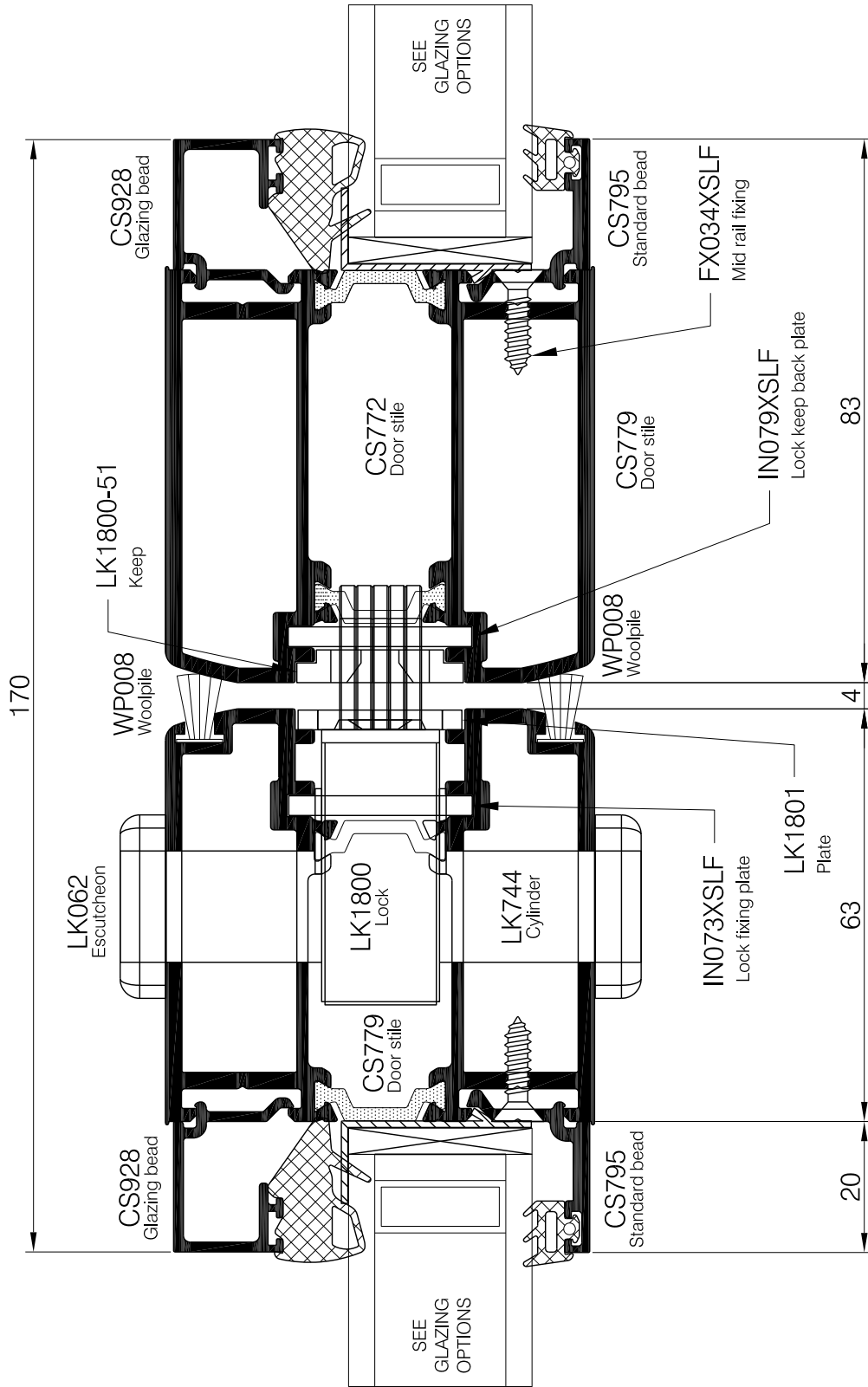
Copyright & ownership of this drawing is vested in COMAR Architectural Aluminium Systems, whose prior written consent is required for its use, reproduction or publication to any third party. All other rights reserved. Subject to modifications without prior notification



Copyright & ownership of this drawing is vested in COMAR Architectural Aluminium Systems, whose prior written consent is required for its use, reproduction or publication to any third party. All other rights reserved. Subject to modifications without prior notification

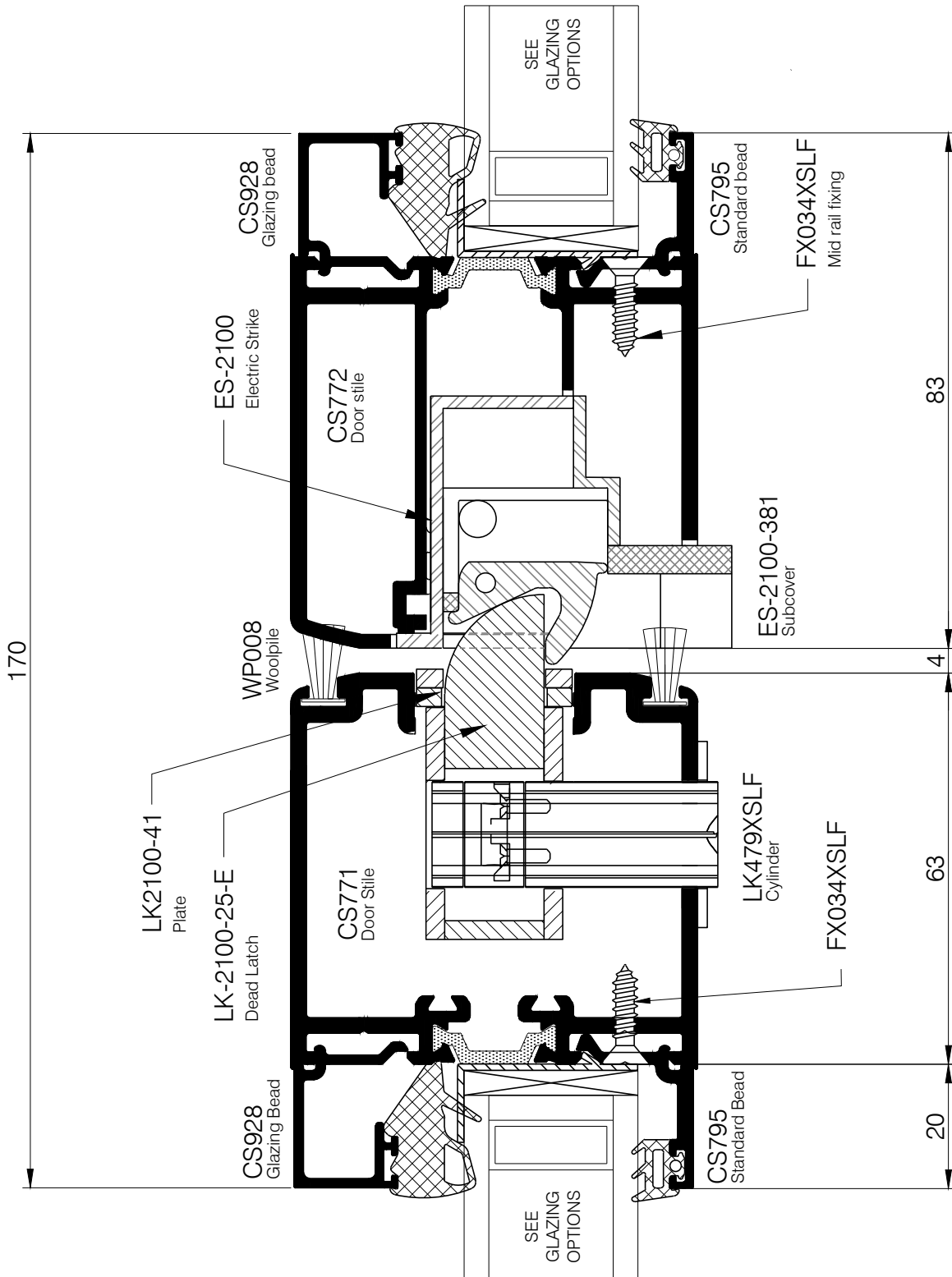


SCALE	1:1	© A4
DATE	24/09/14	
DRAWN	VM/KP	
DRG. No.	C7Pi-CD-2.09 R2	



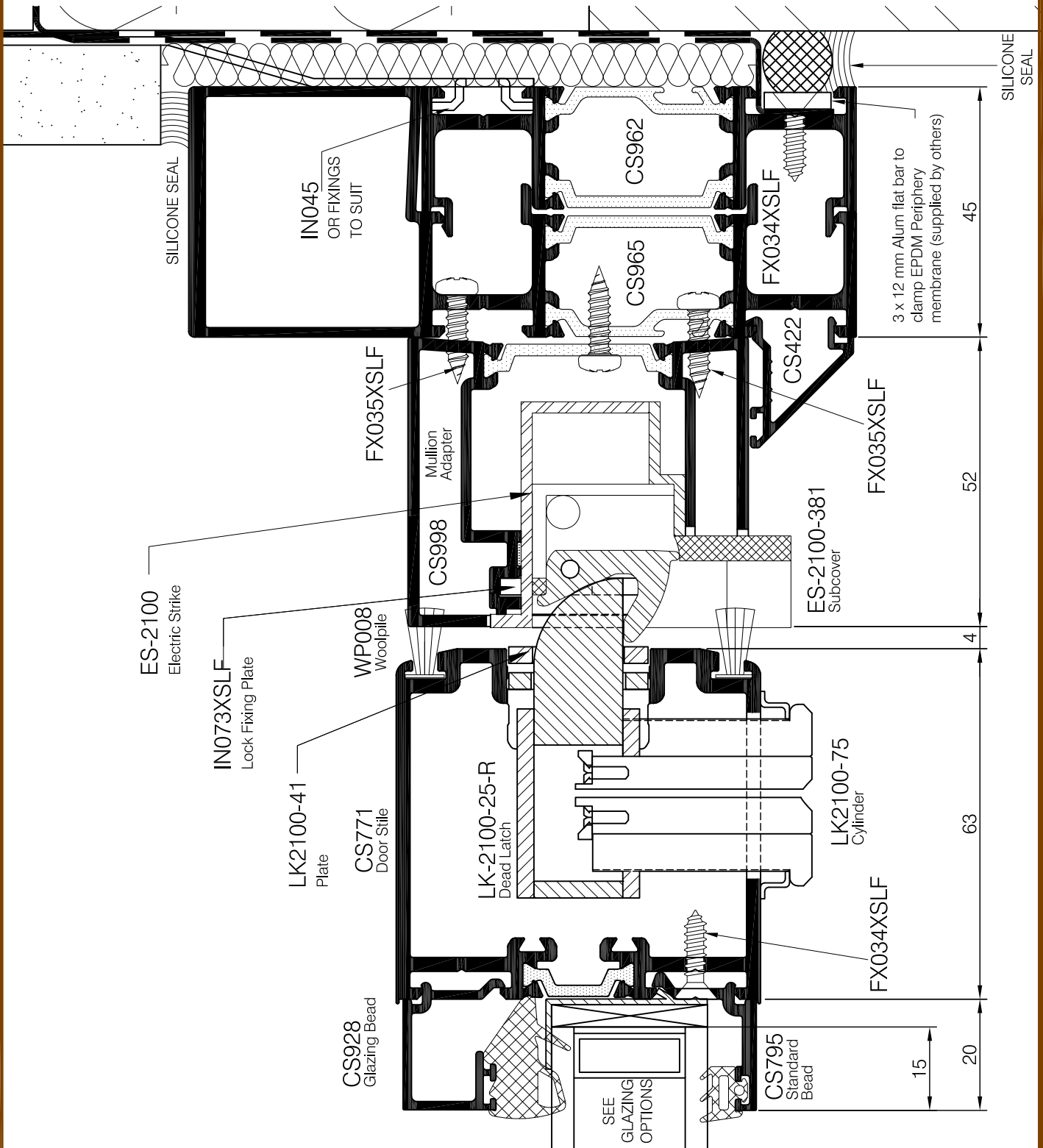
Copyright & ownership of this drawing is vested in COMAR Architectural Aluminium Systems, whose prior written consent is required for its use, reproduction or publication to any third party. All other rights reserved. Subject to modifications without prior notification





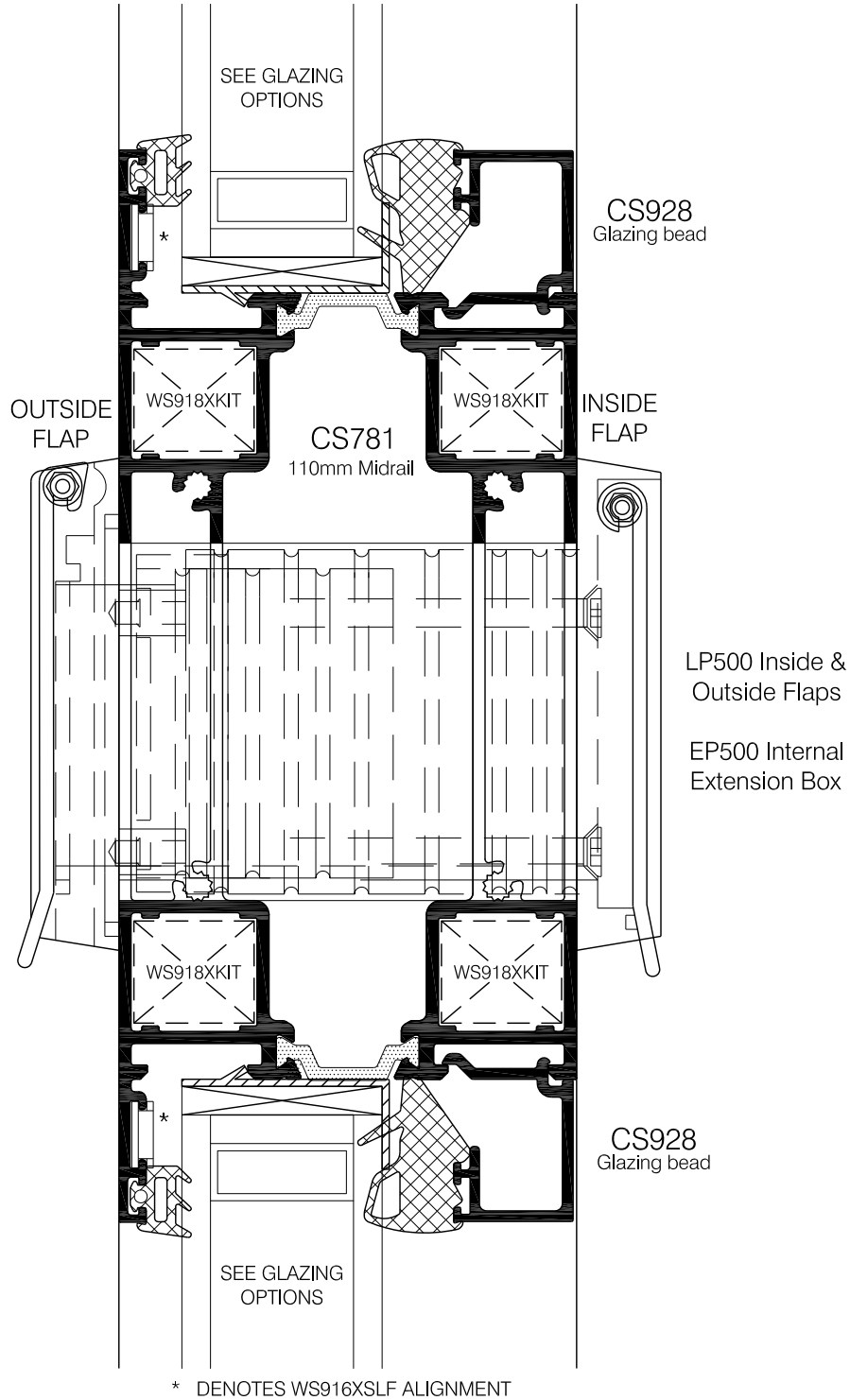
Copyright & ownership of this drawing is vested in COMAR Architectural Aluminium Systems, whose prior written consent is required for its use, reproduction or publication to any third party. All other rights reserved. Subject to modifications without prior notification





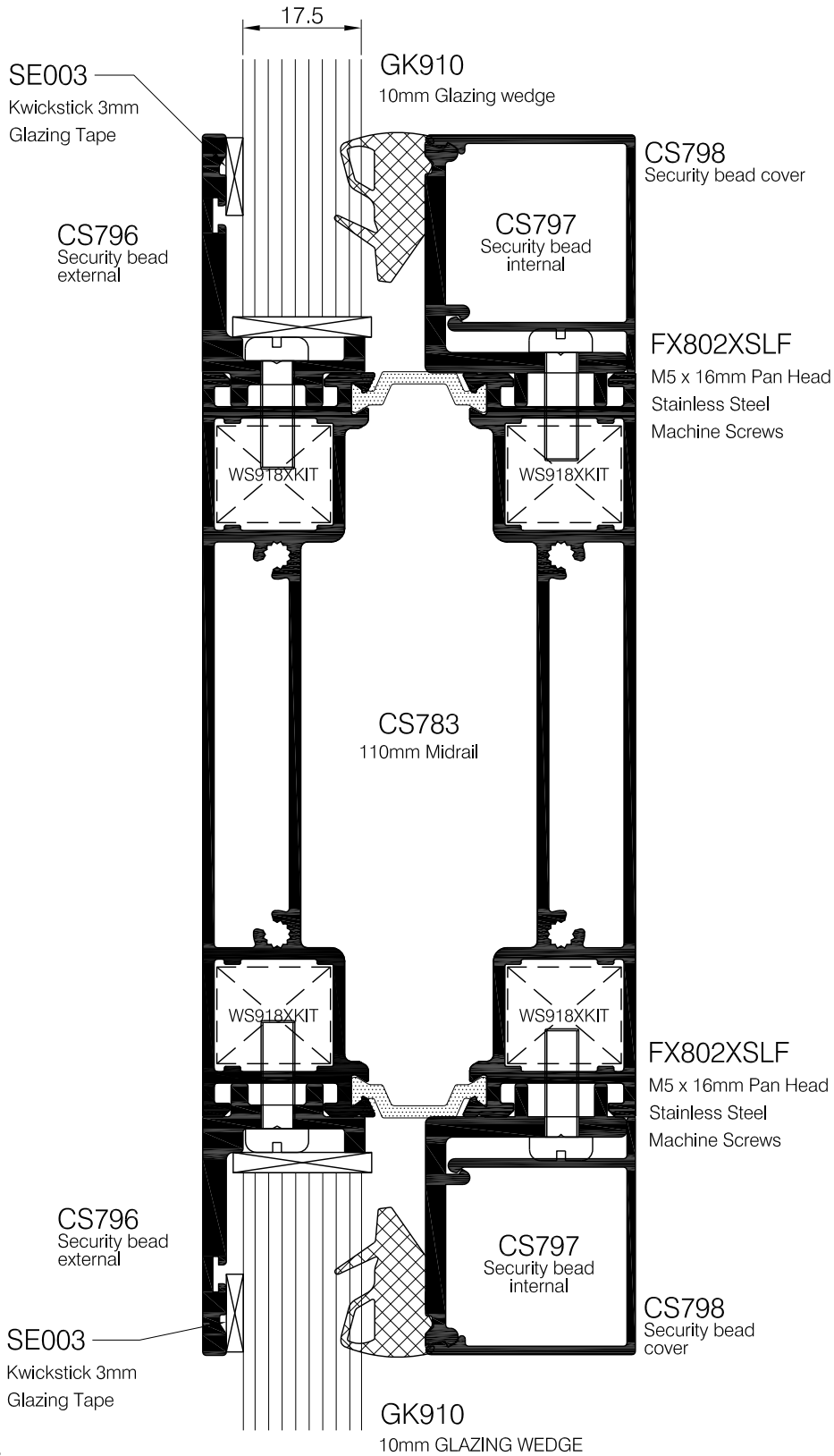
Copyright & ownership of this drawing is vested in COMAR Architectural Aluminium Systems, whose prior written consent is required for its use, reproduction or publication to any third party. All other rights reserved. Subject to modifications without prior notification

SCALE	1:1	© A4
DATE	14/03/16	
DRAWN	KP/CAD	
DRG. No.	C7Pi-CD-2.11	R0



Copyright & ownership of this drawing is vested in COMAR Architectural Aluminium Systems, whose prior written consent is required for its use, reproduction or publication to any third party. All other rights reserved. Subject to modifications without prior notification

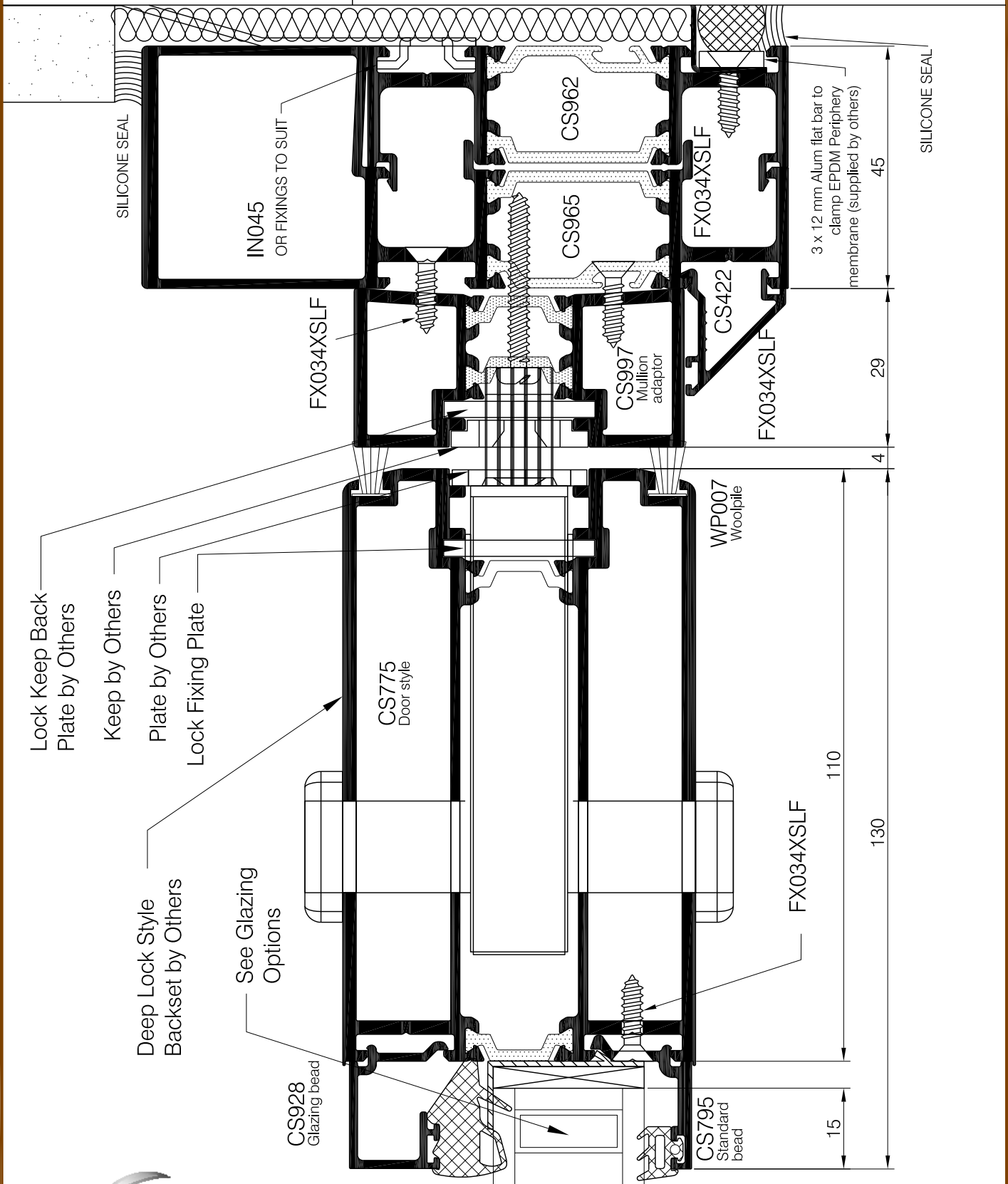
SCALE	1:1	© A4
DATE	01/06/11	
DRAWN	VM / CAD	
DRG. No.	C7Pi-CD-2.12 R0	



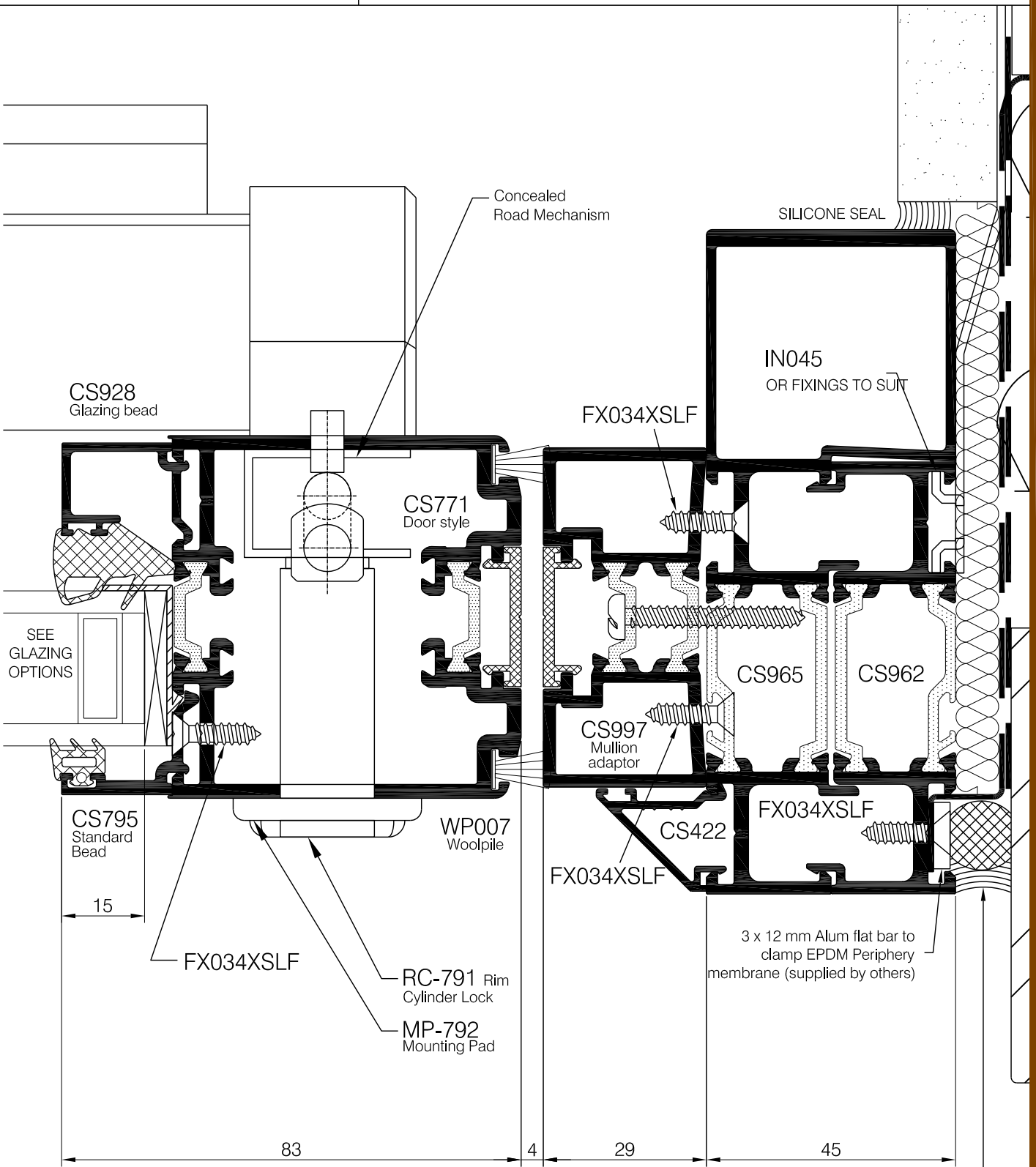
Copyright & ownership of this drawing is vested in COMAR Architectural Aluminium Systems, whose prior written consent is required for its use, reproduction or publication to any third party. All other rights reserved. Subject to modifications without prior notification



SCALE	1:1	© A4
DATE	01/10/12	
DRAWN	VM / CAD	
DRG. No.	C7Pi-CD-2.13 R0	



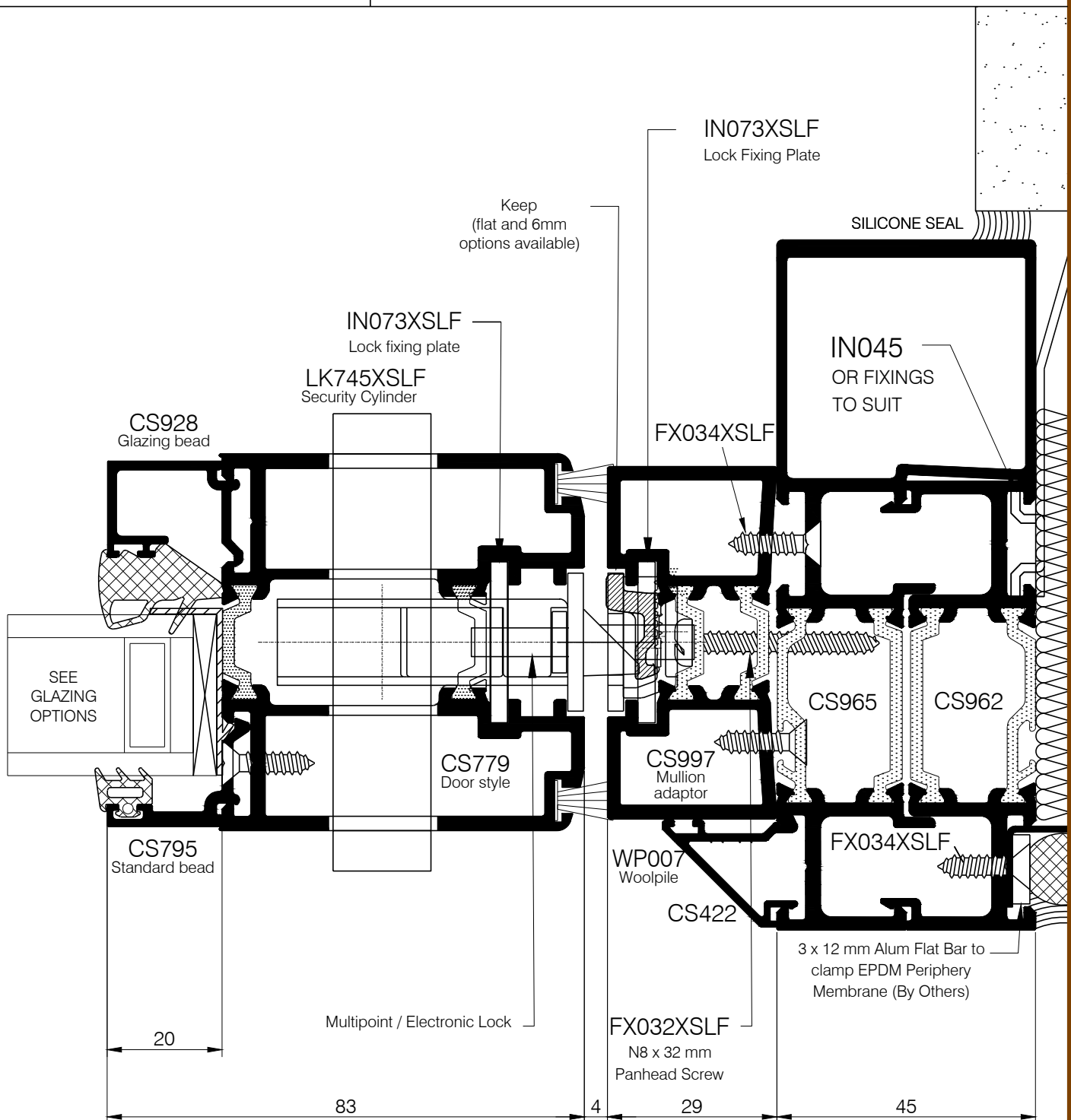
Copyright & ownership of this drawing is vested in COMAR Architectural Aluminium Systems, whose prior written consent is required for its use, reproduction or publication to any third party. All other rights reserved. Subject to modifications without prior notification



SILICONE SEAL

Copyright & ownership of this drawing is vested in COMAR Architectural Aluminium Systems, whose prior written consent is required for its use, reproduction or publication to any third party. All other rights reserved. Subject to modifications without prior notification

SCALE	1:1	© A4
DATE	24/09/14	
DRAWN	KP/CAD	
DRG. No.	C7Pi-CD-2.15 R0	



Note: Locking mechanism will not throw latches if gap between keeps and latches exceeds 4mm. 6mm keeps and magnet are available to reduce the gap.

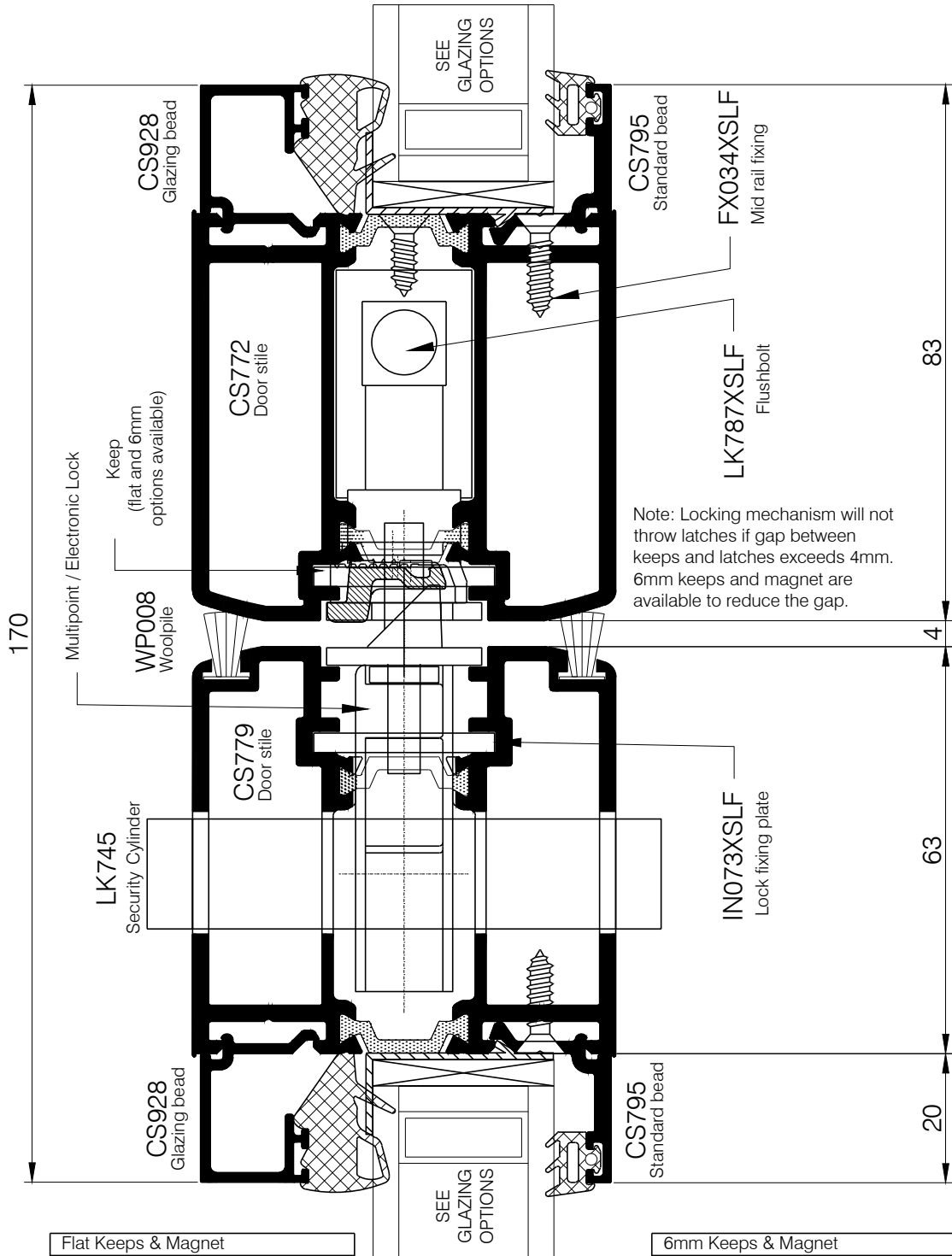
Flat Keeps & Magnet	
Description	Part No
Flat Centre Keep LH	LK750XSFLF
Flat Centre Keep RH	LK749XSFLF
Flat Keep	LK751XSFLF
Flat Magnet	LK776XSFLF

6mm Keeps & Magnet	
Description	Part No
6.5mm Centre Keep LH	LK773XSFLF
6.5mm Centre Keep RH	LK774XSFLF
6.6mm "U" Keep	LK775XSFLF
6.6mm Magnet	LK777XSFLF

Copyright & ownership of this drawing is vested in COMAR Architectural Aluminium Systems, whose prior written consent is required for its use, reproduction or publication to any third party. All other rights reserved. Subject to modifications without prior notification



SCALE	1:1	© A4
DATE	22/03/17	
DRAWN	NRA/KP	
DRG. No.	C7Pi-CD-2.16 R0	



Flat Keeps & Magnet	
Description	Part No
Flat Centre Keep LH	LK750XSFLF
Flat Centre Keep RH	LK749XSFLF
Flat Keep	LK751XSFLF
Flat Magnet	LK776XSFLF

6mm Keeps & Magnet	
Description	Part No
6.5mm Centre Keep LH	LK773XSFLF
6.5mm Centre Keep RH	LK774XSFLF
6.6mm "U" Keep	LK775XSFLF
6.6mm Magnet	LK777XSFLF

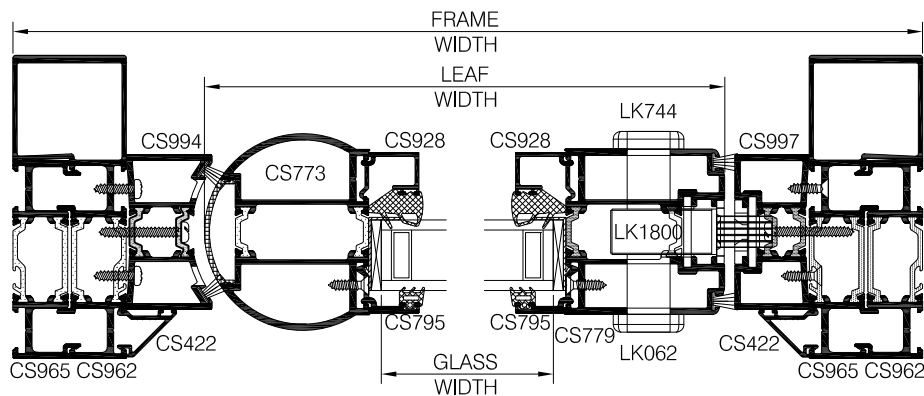
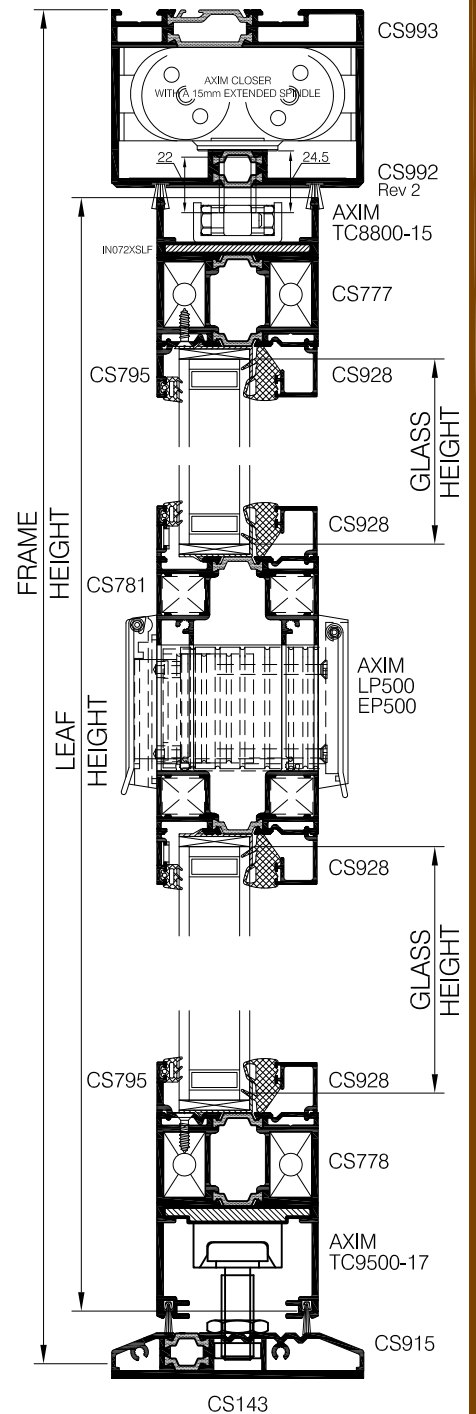
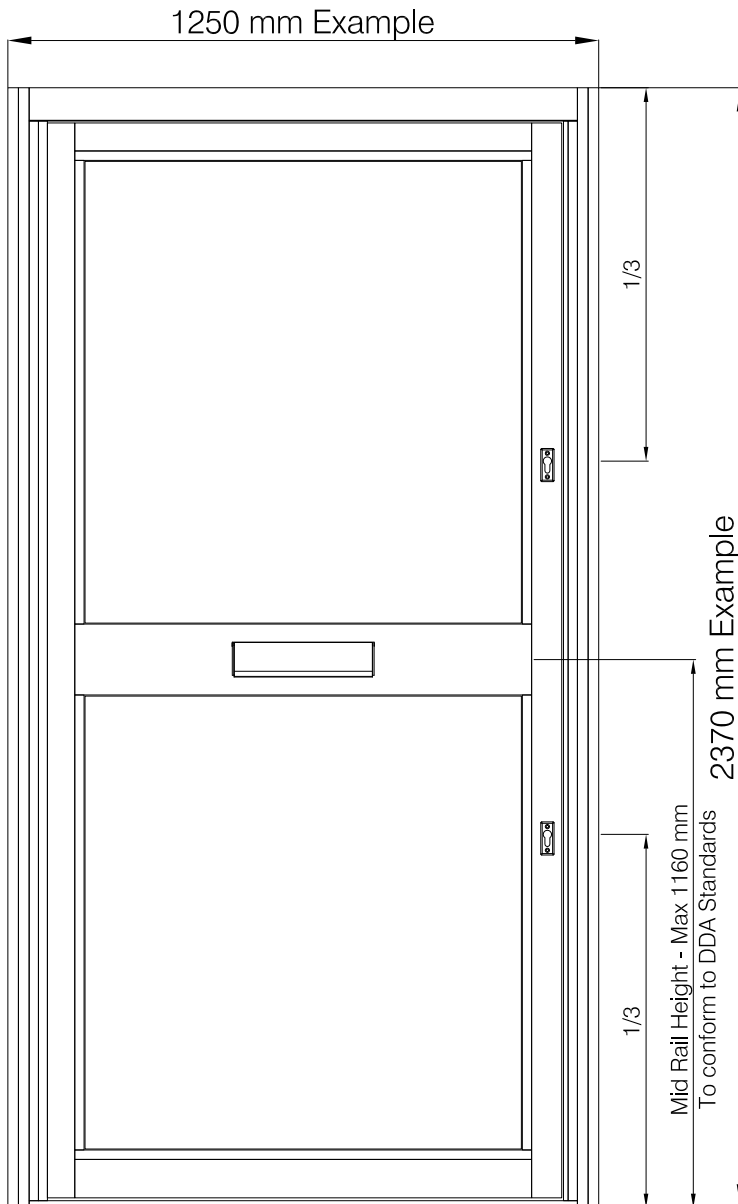
Copyright & ownership of this drawing is vested in COMAR Architectural Aluminium Systems, whose prior written consent is required for its use, reproduction or publication to any third party. All other rights reserved. Subject to modifications without prior notification



SCALE	1:1	© A4
DATE	22/03/17	
DRAWN	NRA/KP	
DRG. No.	C7Pi-CD-2.17	R0







Copyright & ownership of this drawing is vested in COMAR Architectural Aluminium Systems, whose prior written consent is required for its use, reproduction or publication to any third party. All other rights reserved. Subject to modifications without prior notification

**ABBREVIATIONS**

(B) = OVERALL WIDTH (H) = OVERALL HEIGHT

Item	Code	Qty	Dim	Length	Profile
FRAME - DRIP SECTION	CS083	1 @	B - 154	1,096.0 mm	[Profile]
FLAT PLATE - 100 mm x 3 mm	CS143	1 @	B - 90	1,160.0 mm	[Profile]
BEAD - VERTICAL	CS422	2 @	H - 78	2,289.0 mm	[Profile]
FRAME - MULLION	CS965	2 @	H	2,370.0 mm	[Profile]
FRAME - INFILL PLATE	CS962	2 @	H	2,370.0 mm	[Profile]
FRAME - HEADER BAR	CS993	1 @	B - 90	1,160.0 mm	[Profile]
FRAME - HEADER BAR PLATE	CS992	1 @	B - 90	1,160.0 mm	[Profile]
DOUBLE RAMP THRESHOLD	CS915	1 @	B - 90	1,160.0 mm	[Profile]
DOOR FINGER GUARD	CS994	1 @	H - 88.6	2,281.4 mm	[Profile]
MULLION ADAPTOR	CS997	1 @	H - 88.6	2,281.4 mm	[Profile]
WOOLPILE	WP007	2 @	B - 90	1,160.0 mm	[Profile]
WOOLPILE	WP007	2 @	H - 88.6	2,281.4 mm	[Profile]

Item	Code	Qty	Dim	Length	Profile
BEAD HORIZONTAL	CS928	4 @	B - 268.3	981.7 mm	[Profile]
BEAD VERTICAL - TOP	CS928	2 @	H - 280.0	968.0 mm	[Profile]
BEAD VERTICAL - BOTTOM	CS928	2 @	H - 290.8	959.2 mm	[Profile]
DOOR - AFT STILE	CS773	1 @	H - 98.6	2,271.4 mm	[Profile]
DOOR - TOP RAIL	CS777	1 @	B - 282.6	968.0 mm	[Profile]
DOOR - BOTTOM RAIL	CS778	1 @	B - 282.6	968.0 mm	[Profile]
DOOR - STILE	CS779	1 @	H - 98.6	2,271.4 mm	[Profile]
BEAD VERTICAL - TOP	CS795	2 @	H - 1388.3	981.7 mm	[Profile]
BEAD HORIZONTAL	CS795	4 @	B - 282.0	968.0 mm	[Profile]
BEAD VERTICAL - BOTTOM	CS795	2 @	H - 1410.8	959.2 mm	[Profile]
DOOR - MID-RAIL	CS783	1 @	B - 282.6	968.0 mm	[Profile]
DOOR PIVOT INFILL	GK773	1 @	H - 98.6	2,271.4 mm	[Profile]
DOOR CAVITY CLOSER	GK754	1 @	H - 88.6	2,281.4 mm	[Profile]
DOOR CAVITY CLOSER	GK754	1 @	H - 98.6	2,271.4 mm	[Profile]
WOOLPILE	WP012	2 @	B - 230.6	1,019.4 mm	[Profile]
WOOLPILE	WP007	2 @	H - 95.5	2,271.4 mm	[Profile]
GLAZING GASKET EXT-TOP	GK425	1 @	(2xGLASS width) + (2xGLASS height) + 3%		[Profile]
GLAZING GASKET INT-TOP	GK910	1 @	(2xGLASS width) + (2xGLASS height) + 3%		[Profile]
GLAZING GASKET EXT-BOT.	GK425	1 @	(2xGLASS width) + (2xGLASS height) + 3%		[Profile]
GLAZING GASKET INT-BOT.	GK910	1 @	(2xGLASS width) + (2xGLASS height) + 3%		[Profile]

Item	Code	Qty	Dim	Length	Length
GLASS - TOP		1 @	B - 292.6	H - 1358.6	957.4 mm 1011.4 mm
GLASS - BOTTOM		1 @	B - 292.6	H - 1377.4	957.4 mm 992.6 mm

(GLASS SIZE = SIGHT SIZE + 30 mm) (DOUBLE GLAZED UNIT (6 mm - 16 mm - 6 mm) = 28 mm)

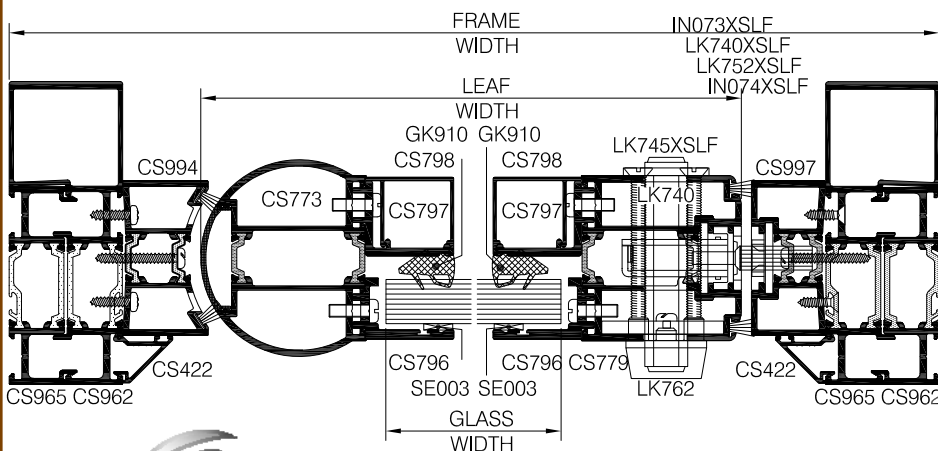
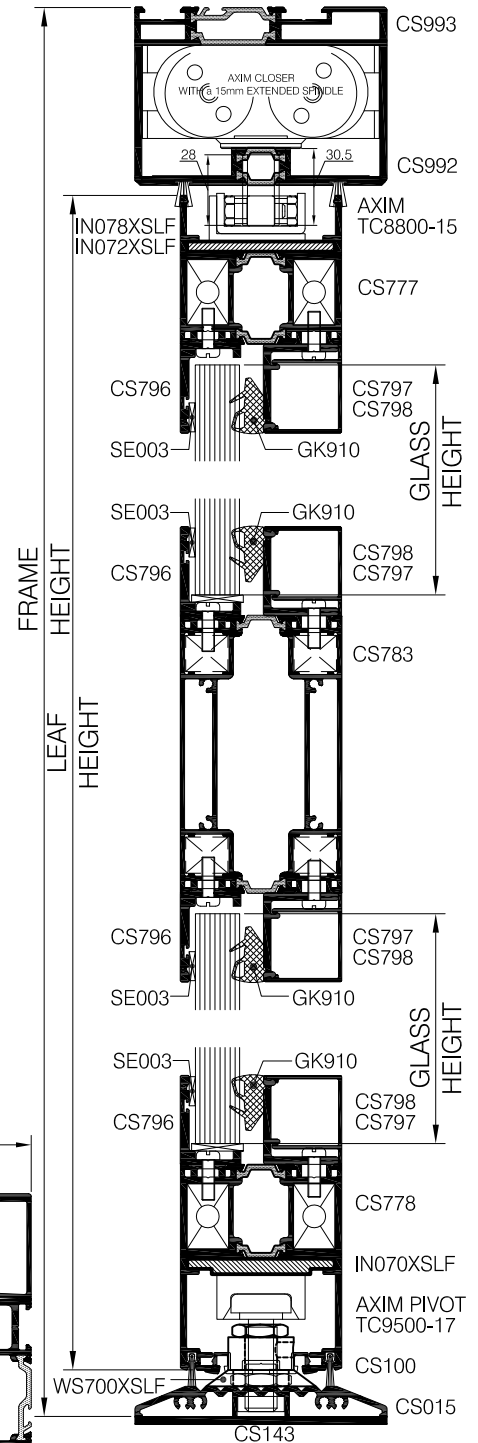
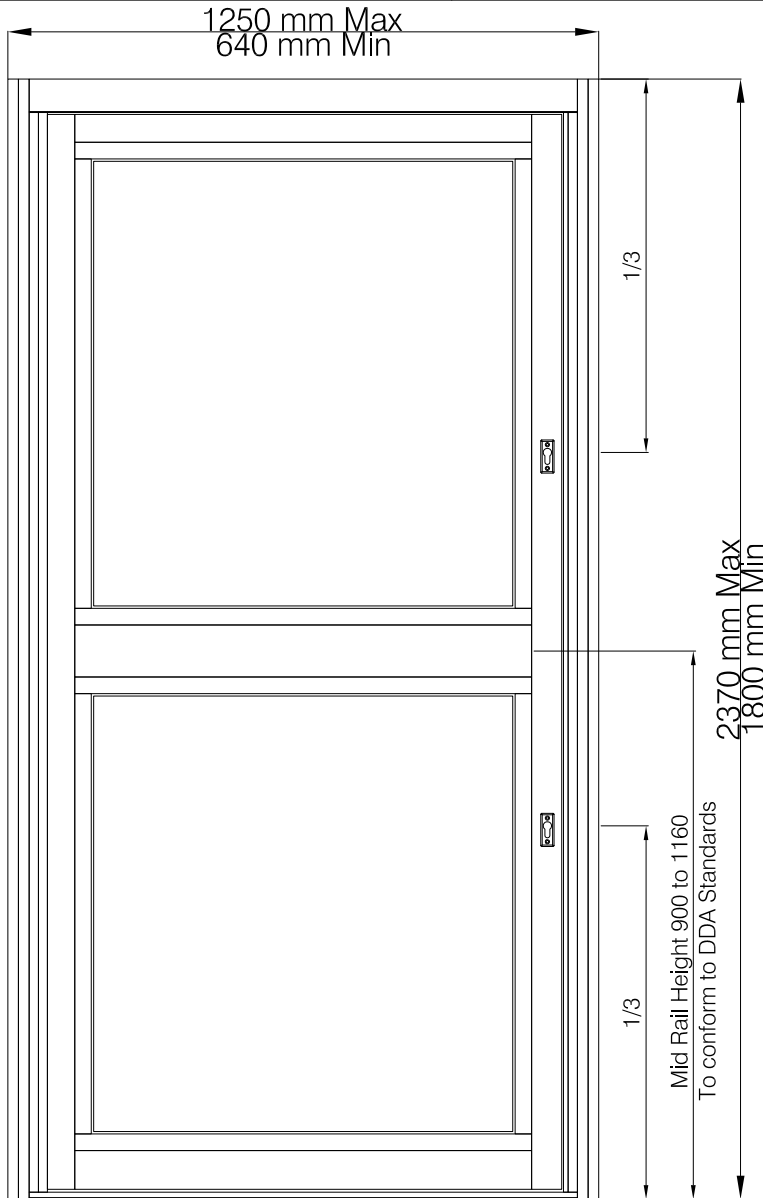
GLASS WEIGHT-TOP (6 mm + 6 mm) x 2.5) x (0.9574 mts x 1.0114 mts) = 29.50 Kg's  
GLASS WEIGHT-BOTTOM (6 mm + 6 mm) x 2.5) x (0.9574 mts x 0.9926 mts) = 28.51 Kg's

Mortice Hook Lock	LK1800-30-E	2
AXIM Heavy Duty T/Load Bottom Pivot Assembly	TC-9500-17	1
N8 x 32mm Pan Head Self Tapping Screw	FX032XSLF	36
Nylon Stud for CS030 & CS083 - Snap Fit	FX046XSLF	6
Pop Rivet CS030 & CS083 - Snap Fit	FX047XSLF	6
M5 x 12mm Csk Pozi Mch Screw	FX079XSLF	4
AXIM A-Kit Jamb & Header Bar Kit - Pair	TC-8800-03	1
Escutcheon Set Kit - Silver	LK-062BSVR	4
AXIM Pad Handle Set - Silver	HD090BSVR	1
Aluminium Glue - 310ml (Specify the Colour)	SE007-008	1
N8 x 16mm Csk Self Tapping Screw	FX034XSLF	90
AXIM E/Load Top Arm & Channel	TC-8800-15	1
Face Plate - (F = Flat Face) (R = Radiused Face)	LK1801-0R/OF	2
Drip Profile End Cap x 2 for CS083	EC083DBLK	1
Strike Plate - (F = Flat Face) (R = Radiused Face)	LK1800-51-F/R	2
M5 x 16mm Pan Head Mch Screw	FX802XSLF	14
Cleat Transom Kit	WS918XKIT	8
Door Bottom Pivot Fixing Plate	IN070XSLF	1
Fixing Cleats and Bolts for Top & Bottom Rails	NC700XSLF	8
Door Lock Fixing Plate	IN073XSLF	4
Door Cleat Back Plate	IN075XSLF	8
Lock Cylinder 40 mm x 40 mm	LK744XSLF	2
M4 x 70mm Csk Pozi Mch Screw	FX744XSLF	8
M6 x 25mm Csk Pozi Mch Screw	FX726XSLF	4
Top Arm Fixing Plate	IN072XSLF	1
M10 Extension Studs for Pad Handle	FX082XSLF	2
AXIM Size 2 Hold Open (15mm Ext Spindle)	TC-8802-90-15	1
Door Lock Keep Back Plate	IN079XSLF	2

**IMPORTANT NOTE**

DUE TO MANUFACTURING AND PRODUCTION TOLERANCES OF ALUMINIUM, PAINTING, ANODISING, GLASS, PANELS, GASKETS, PROFILES SELECTED, THE NUMBER OF DOORS FITTED AND THE CONFIGURATION. CHECK YOUR GLAZING DIMENSIONS AND TRIAL THE GLASS SIZE FORMULA BEFORE PROCEEDING WITH ANY BULK ORDERS.





Copyright & ownership of this drawing is vested in COMAR Architectural Aluminium Systems, whose prior written consent is required for its use, reproduction or publication to any third party. All other rights reserved. Subject to modifications without prior notification

SCALE	1: 3 & 1: 16	@ A4
DATE	25/04/17	
DRAWN	VM / KD	
DRG. No.	C7Pi-CD-3.03 R3	

**ABBREVIATIONS**

(B) = OVERALL WIDTH (H) = OVERALL HEIGHT

Example Cutting List for Security Swing Door Outer Frame (1,250 mm x 2,370 mm )				
FRAME - DRIP SECTION	CS083	1 @	B - 154	1,096.0 mm
FLAT PLATE - 100 mm x 3 mm	CS143	1 @	B - 90	1,160.0 mm
SLOPED BEAD - VERTICAL	CS422	2 @	H - 78	2,289.0 mm
FRAME - MULLION	CS965	2 @	H	2,370.0 mm
FRAME - INFILL PLATE	CS962	2 @	H	2,370.0 mm
FRAME - HEADER BAR	CS993	1 @	B - 90	1,160.0 mm
FRAME - HEADER BAR PLATE	CS992	1 @	B - 90	1,160.0 mm
DOOR PIVOT 70 mm CARRIER	CS994	1 @	H - 85.6	2,281.4 mm
DOOR STARTER	CS997	1 @	H - 85.6	2,281.4 mm
DOUBLE RAMP THRESHOLD	CS915	1 @	B - 90	1,160.0 mm
WOOLPILE	WP007	2 @	B - 90	1,160.0 mm
WOOLPILE	WP007	2 @	H - 85.6	2,281.4 mm

Example Cutting List for Security Swing Door Leaf with Mid-Rail set at 1,160 mm exactly				
DOOR CLEAT BACK PLATE	CS734	1 @	B - 90	1,118.0 mm
DOOR - ANTI FINGER STILE	CS773	1 @	H - 98.6	2,271.4 mm
DOOR - TOP RAIL	CS777	1 @	B - 282.6	967.4 mm
DOOR - BOTTOM RAIL	CS778	1 @	B - 282.6	967.4 mm
DOOR - STILE	CS779	1 @	H - 98.6	2,271.4 mm
BEAD - HORIZ - SEC - EXT	CS796	4 @	B - 282.0	968.0 mm
BEAD - HORIZ - SEC - EXT	CS796	2 @	B - 298.8	951.2 mm
BEAD - HORIZ - SEC - EXT	CS796	2 @	B - 321.3	928.7 mm
BEAD - HORIZ - SEC - INT	CS797	4 @	B - 282.0	964.0 mm
BEAD - HORIZ - SEC - INT	CS797	2 @	B - 298.8	951.2 mm
BEAD - HORIZ - SEC - INT	CS797	2 @	B - 321.3	928.7 mm
BEAD - HORIZ - SEC - INT	CS798	4 @	B - 282.0	954.0 mm
BEAD - HORIZ - SEC - INT	CS798	2 @	B - 298.8	951.2 mm
BEAD - HORIZ - SEC - INT	CS798	2 @	B - 321.3	928.7 mm
DOOR - PIVOT INFILL	GK773	1 @	H - 98.6	2,271.4 mm
DOOR CAVITY FILLER	GK754	1 @	H - 98.6	2,281.4 mm
DOOR CAVITY FILLER	GK754	1 @	H - 98.6	2,271.4 mm
DOOR - MID-RAIL 110 mm	CS783	1 @	B - 282.0	968.0 mm
WOOLPILE	WP007	2 @	H - 98.6	2,271.6 mm
WOOLPILE	WP012	2 @	B - 230.6	1,019.4 mm
GLAZING Tape Exterior	SE003	4 @	B - 300.0	950.0 mm
GLAZING Gasket Interior	GK910	4 @	B - 280.0	970.0 mm
GLAZING Tape top pane	SE003	2 @	H - 1,365.0	1,005.0 mm
GLAZING Gasket top pane	GK910	2 @	H - 1,345.0	1,025.0 mm
GLAZING Tape bottom pane	SE003	2 @	H - 1,385.0	985.0 mm
GLAZING Gasket bottom pane	GK910	2 @	H - 1,365.0	1,005.0 mm

GLASS MUST CONFORM TO LPS 1270 @ 17.5 Thk. Outer Frame (1,250 mm x 2,370 mm )				
GLASS - TOP PANE	1 @	B - 299.0	(B) 951.0 mm	H - 1,365.0 (H) 1,005.0 mm
GLASS - BOTTOM	1 @	B - 299.0	(B) 951.0 mm	H - 1,384.0 (H) 986.0 mm

GLASS SIZE = SIGHT SIZE + 54 mm

GLASS WEIGHT-TOP (17.5 mm x 2.5 ) x (0.951 mts x 1.005 mts) = 41.8 Kgs  
GLASS WEIGHT-BOTTOM (17.5 mm x 2.5 ) x (0.951 mts x 0.986 mts) = 41.0 Kgs

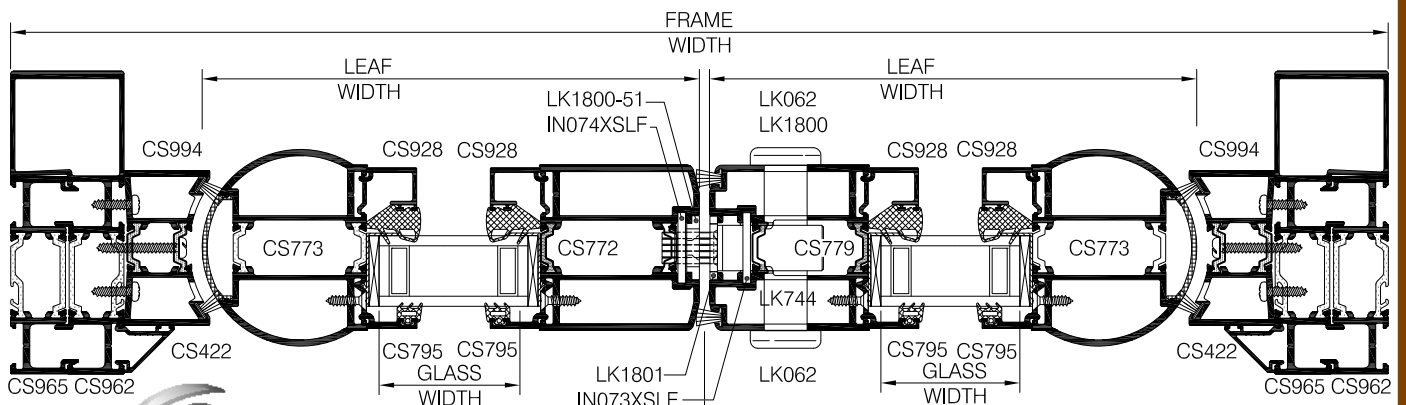
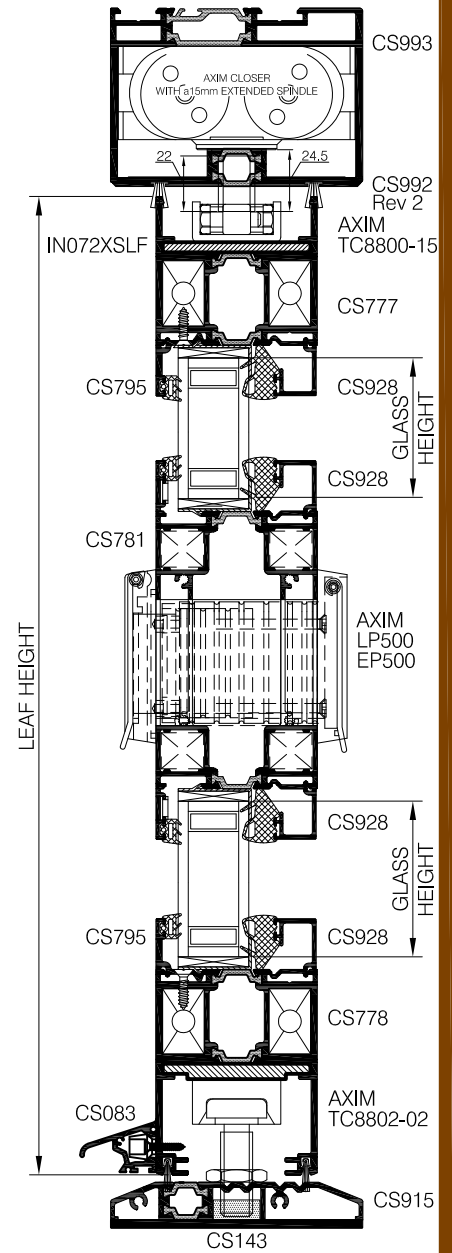
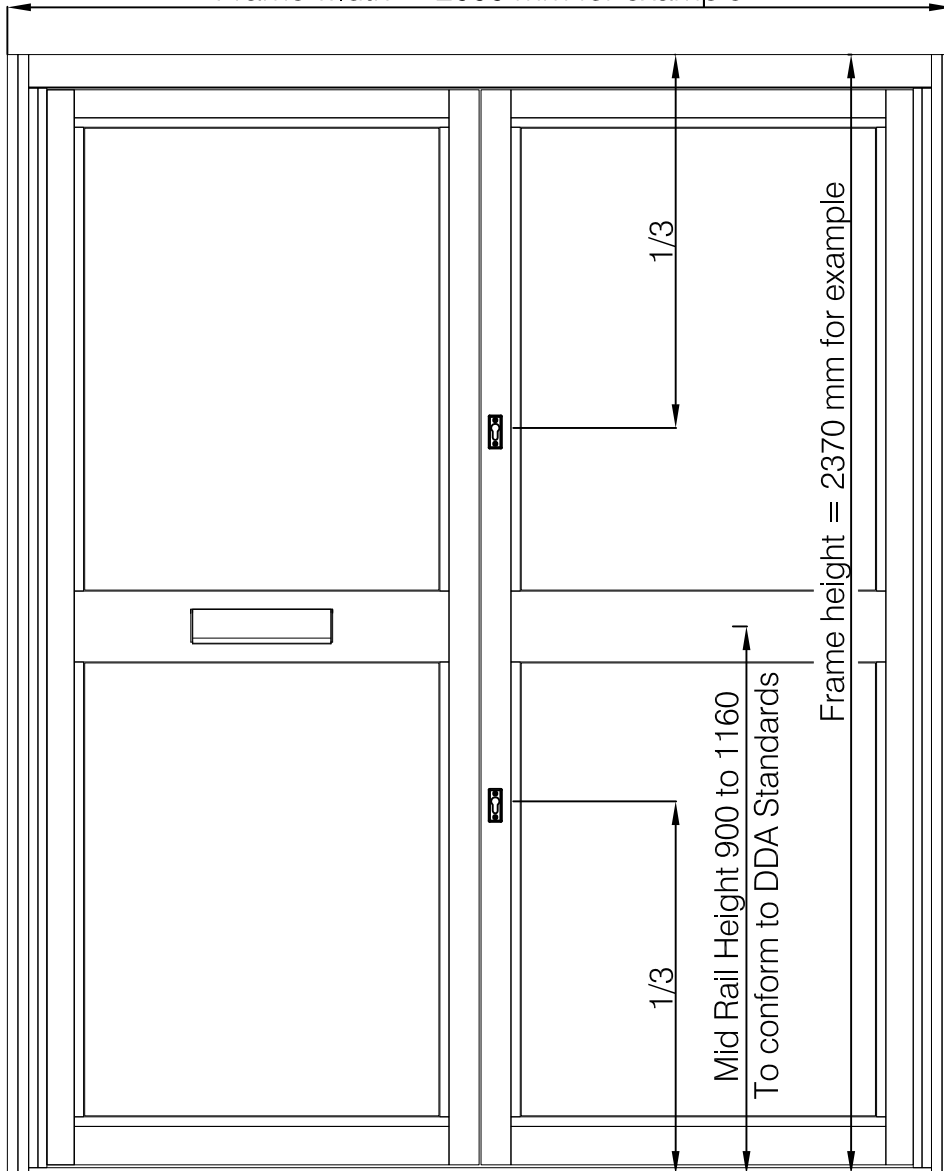
ACCESSORIES AND ADDITIONAL ITEMS		
AXIM Heavy Duty T/Load Bottom Pivot Assembly	TC-9500-17	1
N8 x 32mm Pan Head Self Tapping Screw	FX032XSFL	36
Nylon Stud for CS030 & CS083 - Snap Fit	FX046XSFL	6
Pop Rivet CS030 & CS083 - Snap Fit	FX047XSFL	6
AXIM A-Kit Jamb & Header Bar Kit - Pair	TC-8800-03	1
AXIM Pad Handle Set - Silver	HD090BSVR	1
Aluminium Glue - 310ml (Specify the Colour)	SE007-008	1
N8 x 16mm Csk Self Tapping Screw	FX034XSFL	121
AXIM E/Load Top Arm, Channel & 5 mm Shim Bar	TC-8800-15	1
Drip Profile End Cap x 2 for CS083)	EC083DBLK	1
M3 x 85mm Csk Pozzi Mch Screw	FX795XSFL	1
AXIM Letter Box Plate Extension Sleeve	LP-570-BK	1
M5 x 20mm Csk for Shootbolt	FX800XSFL	88
M6 x 7 mm Csk Pozzi Mch Screw	FX612XSFL	8
M5 x 16mm Pan Head Mch Screw	FX802XSFL	14
14.5 mm Cleat Transom Kit	WS918XKIT	8
M8 x 65 mm S/S Socket Head Mch Bolt	FX213XSFL	4
C7 Hardened Security Spindle	WS700XSFL	1
Door Bottom Pivot Fixing Plate	IN070XSFL	1
Fixing Cleats and Bolts for Top & Bottom Rails	NC700XSFL	8
Door Lock Keep Back Plate	IN074XSFL	1
Door Lock Fixing Plate	IN073XSFL	2
Door Cleat Back Plate	IN075XSFL	8
Sentinel 6 Lock including Face Plate	LK740BSVR	1
Escutcheon Set Kit - Silver	LK762BSVR	1
Armoured Strike Kit	LK752XSFL	1
ABS Security Lock Cylinder 40 mm x 45 mm	LK745XSFL	1
M4 x 70mm Csk Pozzi Mch Screw	FX744XSFL	8
M6 x 25mm Csk Pozzi Mch Screw	FX726XSFL	4
Top Arm Fixing Plate	IN072XSFL	1
M10 Extension Studs for Pad Handle	FX082XSFL	2
AXIM Letter Box Plate	LP-500-BK	1
Security Top Arm Angle	IN078XSFL	1
AXIM Size 2 Hold Open (15mm Ext Spindle)	TC-8802-00-15	1

**IMPORTANT NOTE**

DUE TO MANUFACTURING AND PRODUCTION TOLERANCES OF ALUMINIUM, PAINTING, ANODISING, GLASS, PANELS, GASKETS, PROFILES SELECTED, THE NUMBER OF DOORS FITTED AND THE CONFIGURATION, CHECK YOUR GLAZING DIMENSIONS AND TRIAL THE GLASS SIZE FORMULA BEFORE PROCEEDING WITH ANY BULK ORDERS.



Frame width = 2000 mm for example



Copyright & ownership of this drawing is vested in COMAR Architectural Aluminium Systems, whose prior written consent is required for its use, reproduction or publication to any third party. All other rights reserved. Subject to modifications without prior notification

ABBREVIATIONS

(B) = OVERALL WIDTH (H) = OVERALL HEIGHT

Example Cutting List for Standard Swing Door Outer Frame (2,000 mm x 2,370 mm)					
FRAME - DRIP SECTION	CS083	- 2 @	B - 1,077.4	922.6 mm	
FLAT PLATE - 100 mm x 3 mm	CS143	- 1 @	B - 90	1,910.0 mm	
SLOPED BEAD - VERTICAL	CS422	- 2 @	H - 81	2,289.0 mm	
FRAME - MULLION	CS965	- 2 @	H	2,370.0 mm	
FRAME - INFILL PLATE	CS962	- 2 @	H	2,370.0 mm	
FRAME - HEADER BAR	CS993	- 1 @	B - 90	1,910.0 mm	
FRAME - HEADER BAR PLATE	CS992	- 1 @	B - 90	1,910.0 mm	
DOOR PIVOT 70 mm CARRIER	CS994	- 1 @	H - 88.6	2,281.4 mm	
DOUBLE RAMP THRESHOLD	CS915	- 1 @	B - 90	1,910.0 mm	
WOOLPILE	WP007	- 2 @	B - 90	1,910.0 mm	
WOOLPILE	WP007	- 2 @	H - 81.0	2,289.0 mm	
WOOLPILE	WP012	- 2 @	H - 81.0	2,289.0 mm	

Example Cutting List for Standard Swing Door Leaf with Mid-Rail set at 1,160 mm exactly					
BEAD VERTICAL - VERT	CS928	- 4 @	H - 1,388.3	981.7 mm	
BEAD VERTICAL - VERT	CS928	- 4 @	H - 1,410.8	959.2 mm	
BEAD VERTICAL - HORIZ	CS928	- 8 @	H - 1,575.5	794.5 mm	
DOOR - AFT STILE	CS773	- 2 @	H - 98.6	2,271.4 mm	
DOOR - TOP RAIL	CS777	- 2 @	B - 1,205.5	794.5 mm	
DOOR - BOTTOM RAIL	CS778	- 2 @	B - 1,205.5	794.5 mm	
DOOR - STILE	CS779	- 1 @	H - 98.6	2,271.4 mm	
DOOR - STILE	CS772	- 1 @	H - 98.6	2,271.4 mm	
BEAD VERTICAL - BOTTOM	CS795	- 4 @	H - 1,388.3	981.7 mm	
BEAD VERTICAL - BOTTOM	CS795	- 4 @	H - 1,410.8	959.2 mm	
BEAD VERTICAL - BOTTOM	CS795	- 4 @	H - 1,375.5	994.5 mm	
ANTI FINGER GUARD TRIM	GK773	- 2 @	H - 98.6	2,271.4 mm	
DOOR CAVITY FILLER	GK754	- 2 @	H - 98.6	2,271.4 mm	
DOOR - MID-RAIL	CS783	- 2 @	B - 1,205.5	794.5 mm	

28 mm DOUBLE GLAZED UNIT FOR FITTING INTO DOUBLE DOORS (2000 mm x 2370 mm)

GLASS - TOP	- 2 @	B - 1042.6	H - 1358.6	957.4 mm	1011.4 mm
GLASS - BOTTOM	- 2 @	B - 1042.6	H - 1377.4	957.4 mm	992.6 mm

SIZES GIVEN ABOVE ARE ASSUMING THE OPENING CLEAVE IS IN THE CENTRE OF THE DOOR SET.

(GLASS SIZE = SIGHT SIZE + 30 mm) (DOUBLE GLAZED UNIT (6 mm - 16 mm - 6 mm) = 28 mm)

GLASS WEIGHT-TOP ((6 mm + 6 mm) x 2.5) x (0.9574 mts x 1.0114 mts) = 29.50 Kg's  
GLASS WEIGHT-BOTTOM ((6 mm + 6 mm) x 2.5) x (0.9574 mts x 0.9926 mts) = 28.51 Kg's

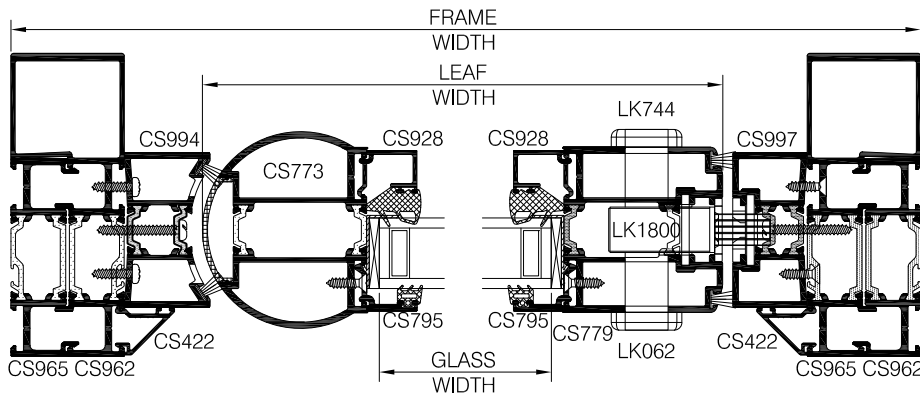
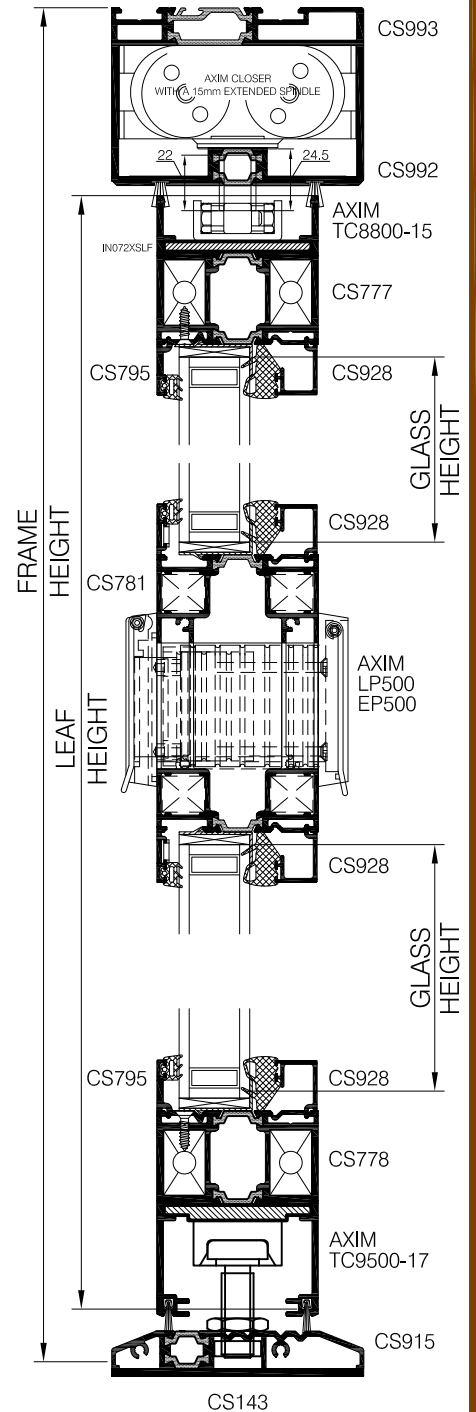
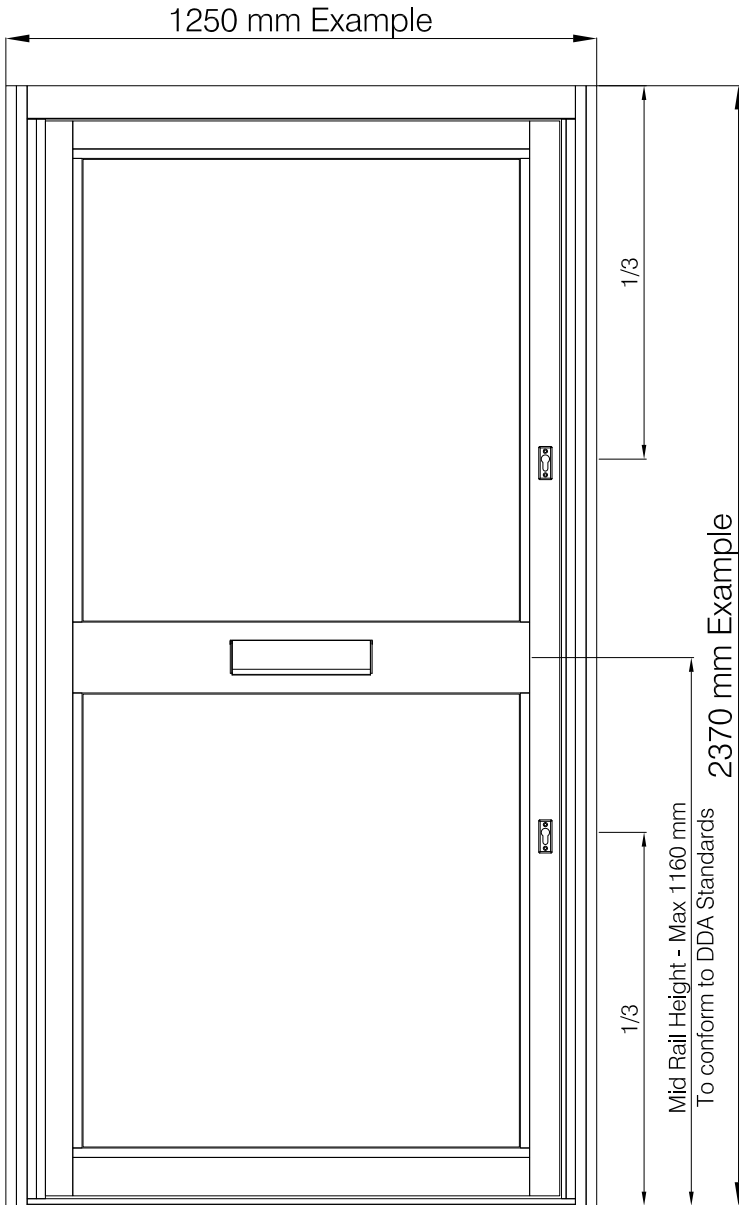
ACCESSORIES AND ADDITIONAL ITEMS		
Mortice Hook Lock	LK1800-30-E	- 1
AXIM Heavy Duty T/Load Bottom Pivot Assembly	TC-9500-17	- 2
N8 x 32mm Pan Head Self Tapping Screw	FX032XSLF	- 36
Nylon Stud for CS030 & CS083 - Snap Fit	FX046XSLF	- 11
Pop Rivet CS030 & CS083 - Snap Fit	FX047XSLF	- 11
M5 x 12mm Csk Pozi Mch Screw	FX079XSLF	- 4
5 mm Glazing Gasket	GK425XSLF	- 14
Escutcheon Set Kit - Silver	LK-062BSVR	- 2
AXIM Pad Handle Set - Silver	HD090BSVR	- 2
Aluminium Glue - 310ml (Specify the Colour)	SE007-008	- 2
N8 x 16mm Csk Self Tapping Screw	FX034XSLF	- 64
AXIM E/Load Top Arm & Channel	TC-8800-15	- 2
Face Plate - (F = Flat Face) (R = Radiused Face)	LK1801-0R/OF	- 1
Drip Profile End Cap x 2 for CS083	EC083DBLK	- 2
Strike Plate - (F = Flat Face) (R = Radiused Face)	LK1800-51-F/R	- 1
AXIM Letter Box Plate Extension Sleeve	LP-570-BK	- 1
M5 x 16mm Pan Head Mch Screw	FX802XSLF	- 24
M5 x 25mm Pan Head Mch Screw	FX090XSLF	- 4
11 mm Wedge Gasket (Green)	GK910XSLF	- 14
Cleat Transom Kit	WS918XKIT	- 16
Door Bottom Pivot Fixing Plate	IN070XSLF	- 2
Fixing Cleats and Bolts for Top & Bottom Rails	NC700XSLF	- 16
Door Lock Fixing Plate	IN073XSLF	- 2
Door Cleat Back Plate	IN075XSLF	- 16
Lock Cylinder 40 mm x 40 mm	LK744XSLF	- 1
M4 x 70mm Csk Pozi Mch Screw	FX744XSLF	- 8
M6 x 25mm Csk Pozi Mch Screw	FX726XSLF	- 4
Top Arm Fixing Plate	IN072XSLF	- 2
Flush Bolt	FB6501-F18	- 2
Flush Bolt Guide Block	FB62-041	- 2
M10 Extension Studs for Pad Handle	FX082XSLF	- 4
Flush Bolt Fixing Plate	IN077XSLF	- 4
AXIM Letter Box Plate	LP-500-BK	- 1
N8 x 13 mm Self Tap Screw	FX091XSLF	- 4
AXIM Size 2 Hold Open (15mm Ext Spindle)	TC-8802-00-15	- 2
Door Lock Keep Back Plate	IN079XSLF	- 1

IMPORTANT NOTE

DUE TO MANUFACTURING AND PRODUCTION TOLERANCES OF ALUMINIUM, PAINTING, ANODISING, GLASS, PANELS, GASKETS, PROFILES SELECTED, THE NUMBER OF DOORS FITTED AND THE CONFIGURATION, CHECK YOUR GLAZING DIMENSIONS AND TRIAL THE GLASS SIZE FORMULA BEFORE PROCEEDING WITH ANY BULK ORDERS.







Copyright & ownership of this drawing is vested in COMAR Architectural Aluminium Systems, whose prior written consent is required for its use, reproduction or publication to any third party. All other rights reserved. Subject to modifications without prior notification.

ABBREVIATIONS

(B) = OVERALL WIDTH (H) = OVERALL HEIGHT

Example Cutting List for Standard Swing Door Outer Frame 1250 mm (B) x 2370 mm (H)				
FRAME - DRIP SECTION	CS083	1 @	B - 154	1,096.0 mm
FLAT PLATE - 100 mm x 3 mm	CS143	1 @	B - 90	1,160.0 mm
BEAD - VERTICAL	CS422	2 @	H - 78	2,289.0 mm
FRAME - MULLION	CS965	2 @	H	2,370.0 mm
FRAME - INFILL PLATE	CS962	2 @	H	2,370.0 mm
FRAME - HEADER BAR	CS993	1 @	B - 90	1,160.0 mm
FRAME - HEADER BAR PLATE	CS992	1 @	B - 90	1,160.0 mm
DOUBLE RAMP THRESHOLD	CS915	1 @	B - 90	1,160.0 mm
DOOR FINGER GUARD	CS994	1 @	H - 88.6	2,281.4 mm
MULLION ADAPTOR	CS997	1 @	H - 88.6	2,281.4 mm
WOOLPILE	WP007	2 @	B - 90	1,160.0 mm
WOOLPILE	WP007	2 @	H - 88.6	2,281.4 mm

Example Cutting List for Standard Swing Door Leaf with Mid-Rail set at 1160 mm exactly				
BEAD HORIZONTAL	CS928	4 @	B - 268.3	981.7 mm
BEAD VERTICAL - TOP	CS928	2 @	H - 280.0	968.0 mm
BEAD VERTICAL - BOTTOM	CS928	2 @	H - 290.8	959.2 mm
DOOR - AFT STILE	CS773	1 @	H - 98.6	2,271.4 mm
DOOR - TOP RAIL	CS777	1 @	B - 282.6	968.0 mm
DOOR - BOTTOM RAIL	CS778	1 @	B - 282.6	968.0 mm
DOOR - STILE	CS779	1 @	H - 98.6	2,271.4 mm
BEAD VERTICAL - TOP	CS795	2 @	H - 1388.3	981.7 mm
BEAD HORIZONTAL	CS795	4 @	B - 282.0	968.0 mm
BEAD VERTICAL - BOTTOM	CS795	2 @	H - 1410.8	959.2 mm
DOOR - MID-RAIL	CS783	1 @	B - 282.6	968.0 mm
DOOR PIVOT INFILL	GK773	1 @	H - 98.6	2,271.4 mm
DOOR CAVITY CLOSER	GK754	1 @	H - 88.6	2,281.4 mm
DOOR CAVITY CLOSER	GK754	1 @	H - 98.6	2,271.4 mm
WOOLPILE	WP012	2 @	B - 230.6	1,019.4 mm
WOOLPILE	WP007	2 @	H - 95.5	2,271.4 mm
GLAZING GASKET EXT-TOP	GK425	1 @	(2xGLASS width) + (2xGLASS height) + 3%	
GLAZING GASKET INT-TOP	GK910	1 @	(2xGLASS width) + (2xGLASS height) + 3%	
GLAZING GASKET EXT-BOT.	GK425	1 @	(2xGLASS width) + (2xGLASS height) + 3%	
GLAZING GASKET INT-BOT.	GK910	1 @	(2xGLASS width) + (2xGLASS height) + 3%	

28 MM DOUBLE GLAZED UNIT FOR FITTING INTO SINGLE DOOR (1250 mm x 2370 mm)				
GLASS - TOP	1 @	B - 292.6	H - 1358.6	957.4 mm
GLASS - BOTTOM	1 @	B - 292.6	H - 1377.4	957.4 mm

(GLASS SIZE = SIGHT SIZE + 30 mm) (DOUBLE GLAZED UNIT (6 mm - 16 mm - 6 mm) = 28 mm)

GLASS WEIGHT-TOP (6 mm + 6 mm) x 2.5) x (0.9574 mts x 1.0114 mts) = 29.50 Kg's  
GLASS WEIGHT-BOTTOM (6 mm + 6 mm) x 2.5) x (0.9574 mts x 0.9926 mts) = 28.51 Kg's

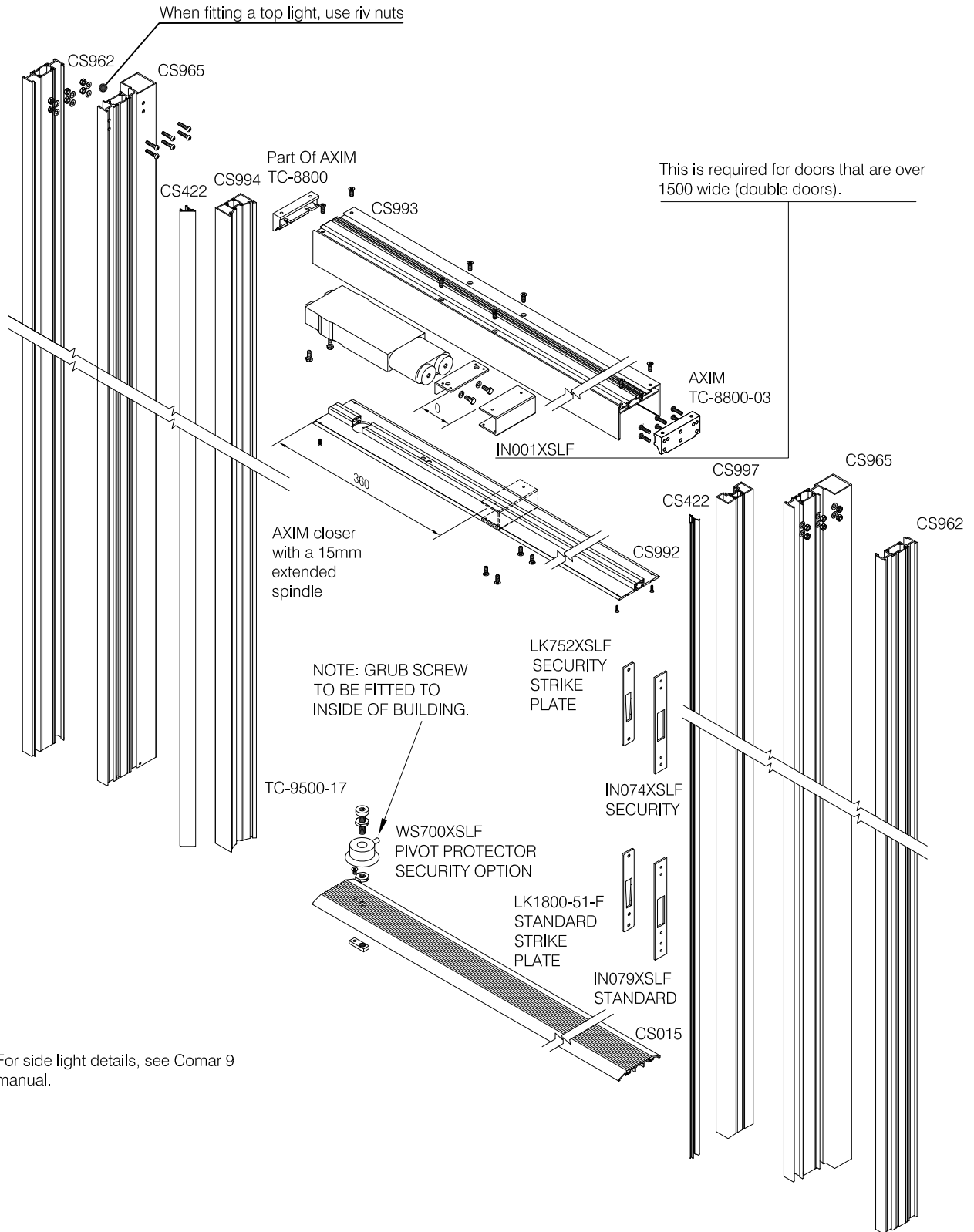
ACCESSORIES AND ADDITIONAL ITEMS		
Mortice Hook Lock	LK1800-30	2
AXIM Heavy Duty T/Load Bottom Pivot Assembly	TC-9500-17	1
N8 x 32mm Pan Head Self Tapping Screw	FX032XSFL	36
Nylon Stud for CS030 & CS083 - Snap Fit	FX046XSFL	6
Pop Rivet CS030 & CS083 - Snap Fit	FX047XSFL	6
M5 x 12mm Csk Pozi Mch Screw	FX079XSFL	4
AXIM A-Kit Jamb & Header Bar Kit - Pair	TC-8800-03	1
Escutcheon Set Kit - Silver	LK-062BSVR	4
AXIM Pad Handle Set - Silver	HD090BSVR	1
Aluminium Glue - 310ml (Specify the Colour)	SE007-008	1
N8 x 16mm Csk Self Tapping Screw	FX034XSFL	90
AXIM E/Load Top Arm & Channel	TC-8800-15	1
Face Plate - (F = Flat Face) (R = Radiused Face)	LK1801-0R/OF	2
Drip Profile End Cap x 2 for CS083	EC083DBLK	1
Strike Plate - (F = Flat Face) (R = Radiused Face)	LK1800-51-F/R	2
M5 x 16mm Pan Head Mch Screw	FX802XSFL	14
Cleat Transom Kit	WS918XKIT	8
Door Bottom Pivot Fixing Plate	IN070XSFL	1
Fixing Cleats and Bolts for Top & Bottom Rails	NC700XSFL	8
Door Lock Fixing Plate	IN073XSFL	4
Door Cleat Back Plate	IN075XSFL	8
ABS Security Lock Cylinder 40 mm x 45 mm	LK745XSFL	1
M4 x 70mm Csk Pozi Mch Screw	FX744XSFL	8
M6 x 25mm Csk Pozi Mch Screw	FX726XSFL	4
Top Arm Fixing Plate	IN072XSFL	1
M10 Extension Studs for Pad Handle	FX082XSFL	2
AXIM Size 2 Hold Open (15mm Ext Spindle)	TC-8802-90-15	1
Door Lock Keep Back Plate	IN079XSFL	2

IMPORTANT NOTE

DUE TO MANUFACTURING AND PRODUCTION TOLERANCES OF ALUMINIUM, PAINTING, ANODISING, GLASS, PANELS, GASKETS, PROFILES SELECTED, THE NUMBER OF DOORS FITTED AND THE CONFIGURATION. CHECK YOUR GLAZING DIMENSIONS AND TRIAL THE GLASS SIZE FORMULA BEFORE PROCEEDING WITH ANY BULK ORDERS.



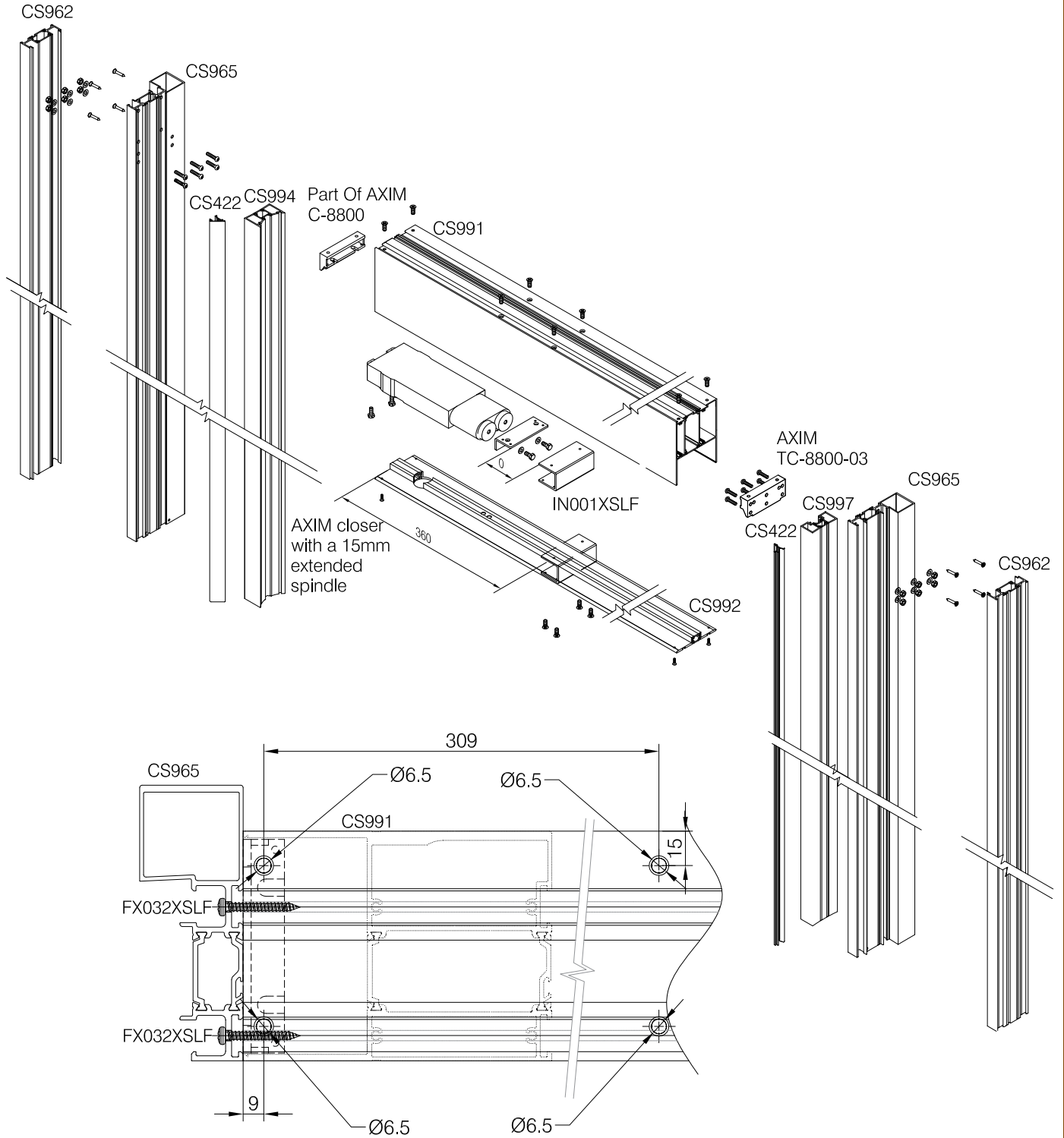




For side light details, see Comar 9 manual.



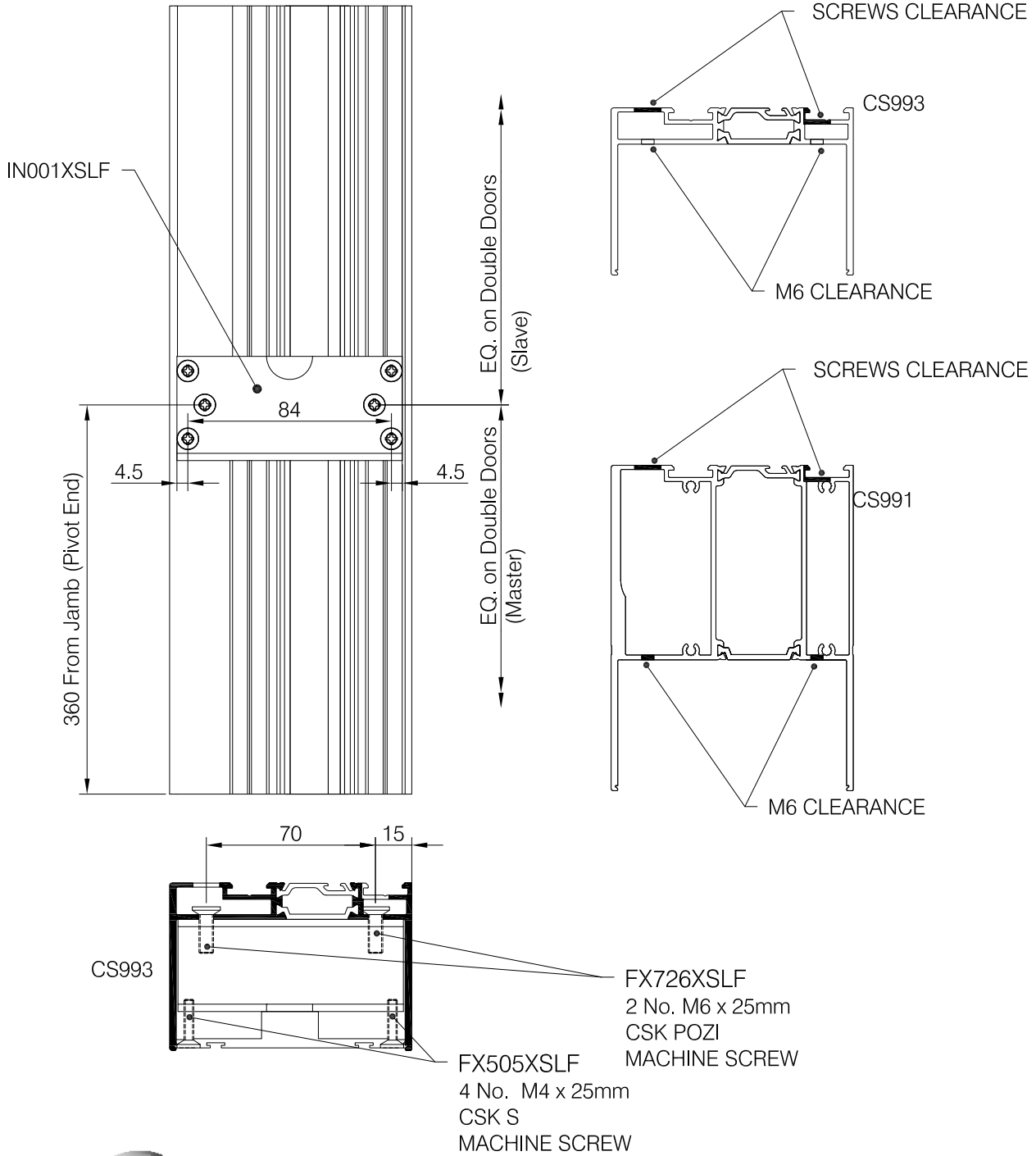
SCALE	NTS	@ A4
DATE	24/04/17	
DRAWN	VM / KD	
DRG. No.	C7Pi-CD-3.09 R2	



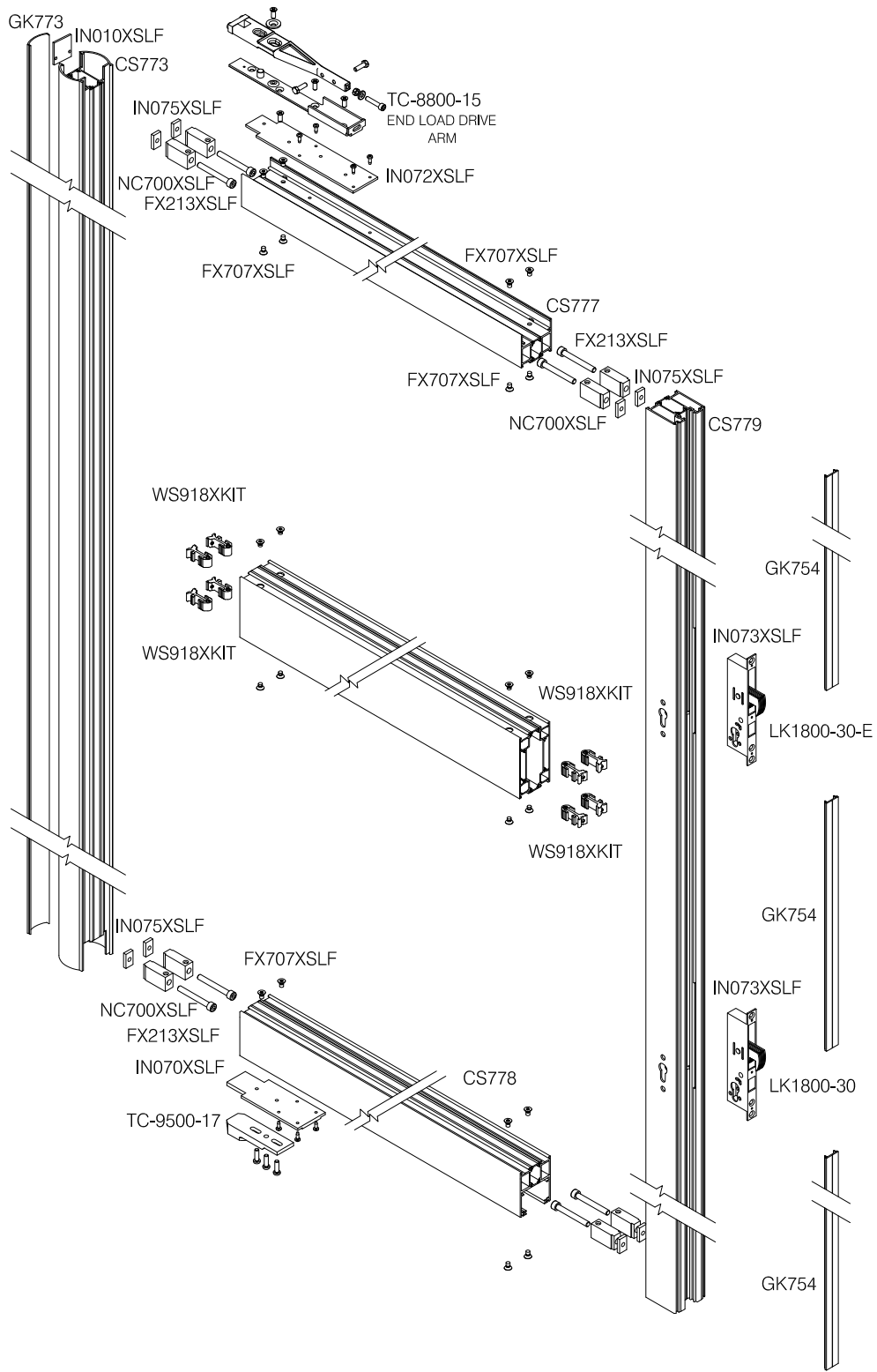
Copyright & ownership of this drawing is vested in COMAR Architectural Aluminium Systems, whose prior written consent is required for its use, reproduction or publication to any third party. All other rights reserved. Subject to modifications without prior notification



SCALE	NTS	@ A4
DATE	25/04/17	
DRAWN	NS / KD	
DRG. No.	C7Pi-CD-3.09.1 R1	



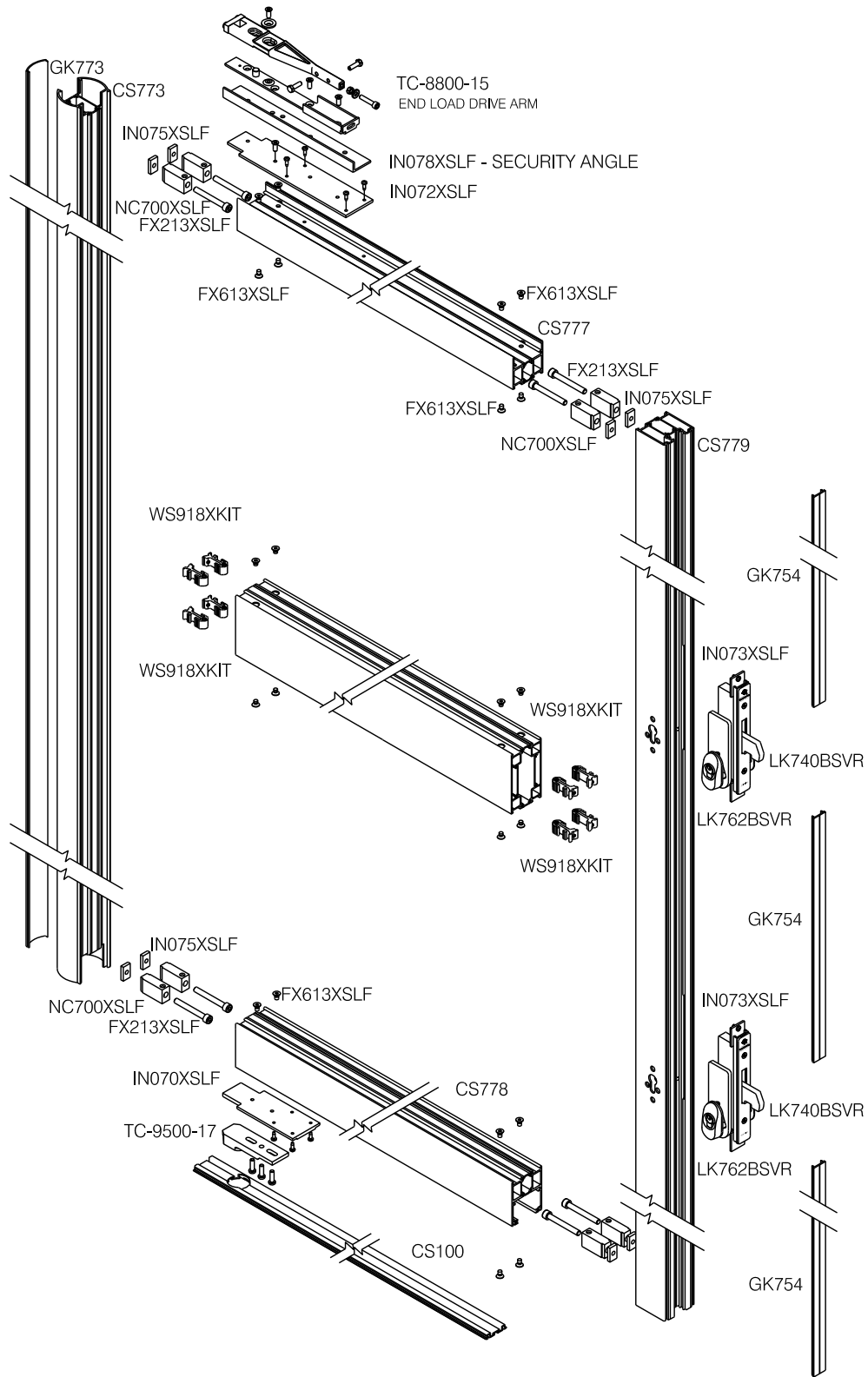
Copyright & ownership of this drawing is vested in COMAR Architectural Aluminium Systems, whose prior written consent is required for its use, reproduction or publication to any third party. All other rights reserved. Subject to modifications without prior notification



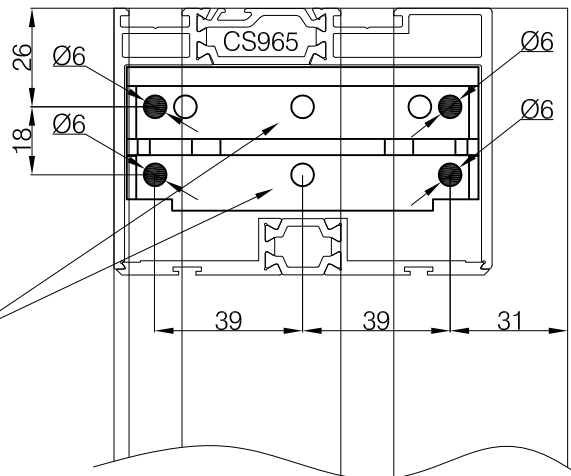
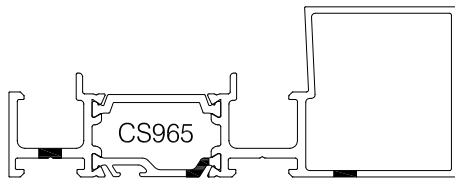
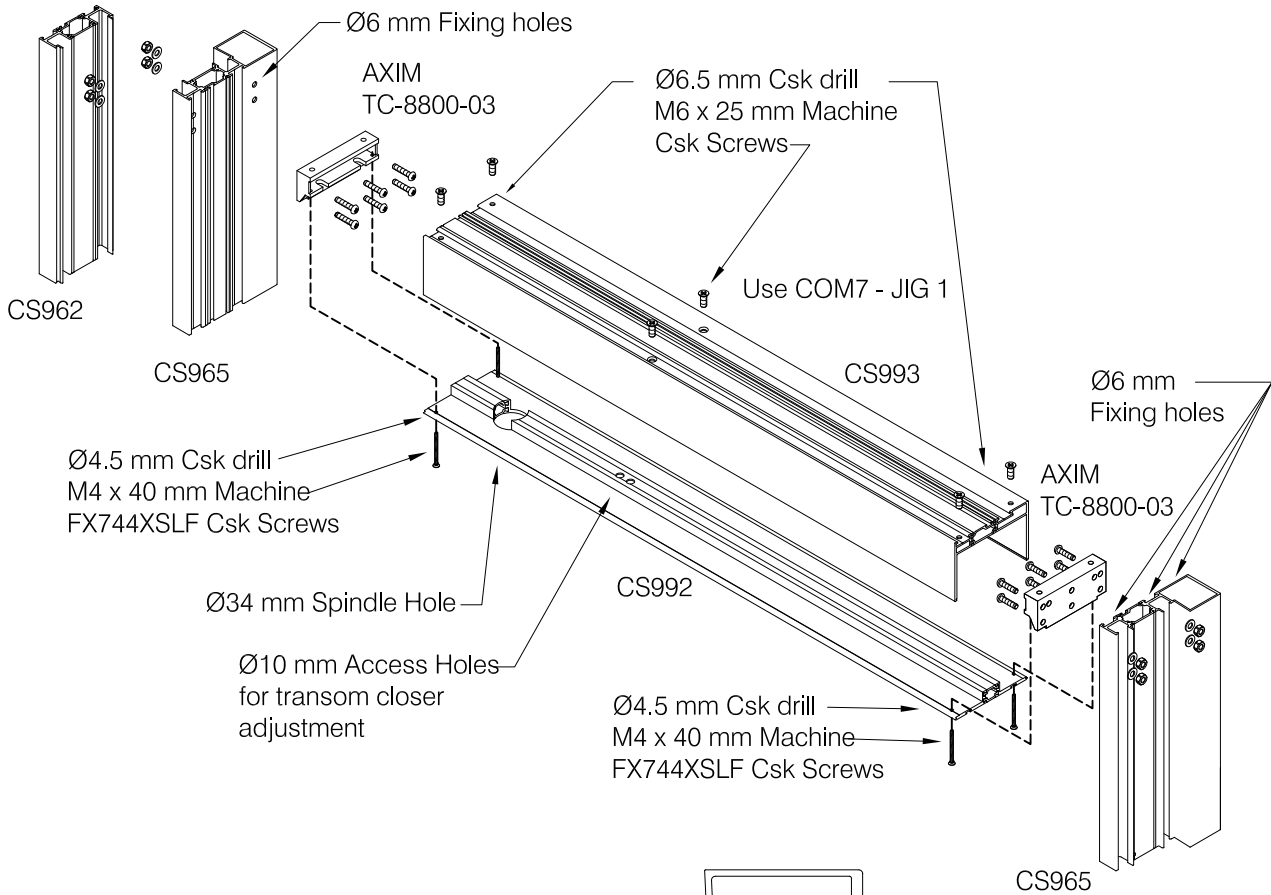
Copyright & ownership of this drawing is vested in COMAR Architectural Aluminium Systems, whose prior written consent is required for its use, reproduction or publication to any third party. All other rights reserved. Subject to modifications without prior notification



SCALE	NTS	@ A4
DATE	28/03/17	
DRAWN	VM/KD	
DRG. No.	C7Pi-CD-3.10 R3	



Copyright & ownership of this drawing is vested in COMAR Architectural Aluminium Systems, whose prior written consent is required for its use, reproduction or publication to any third party. All other rights reserved. Subject to modifications without prior notification

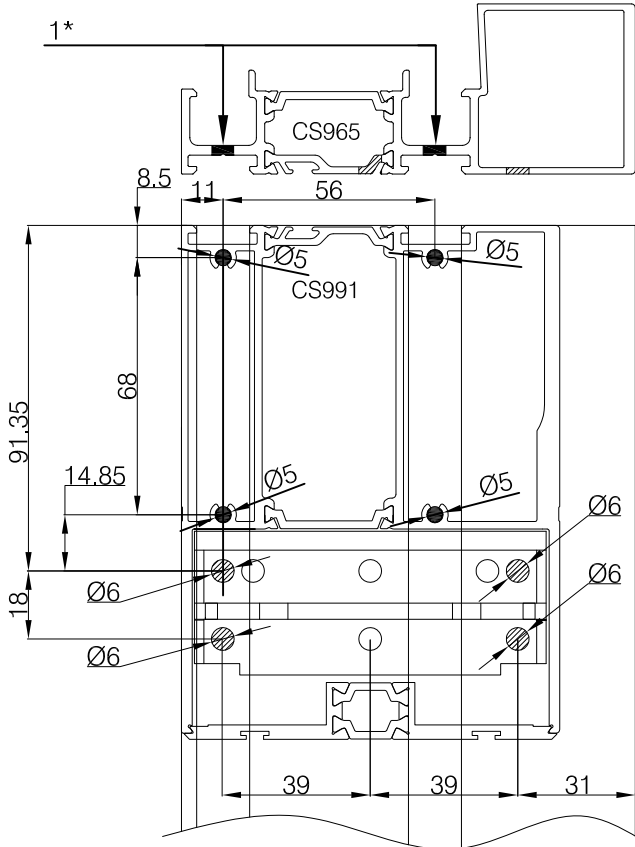
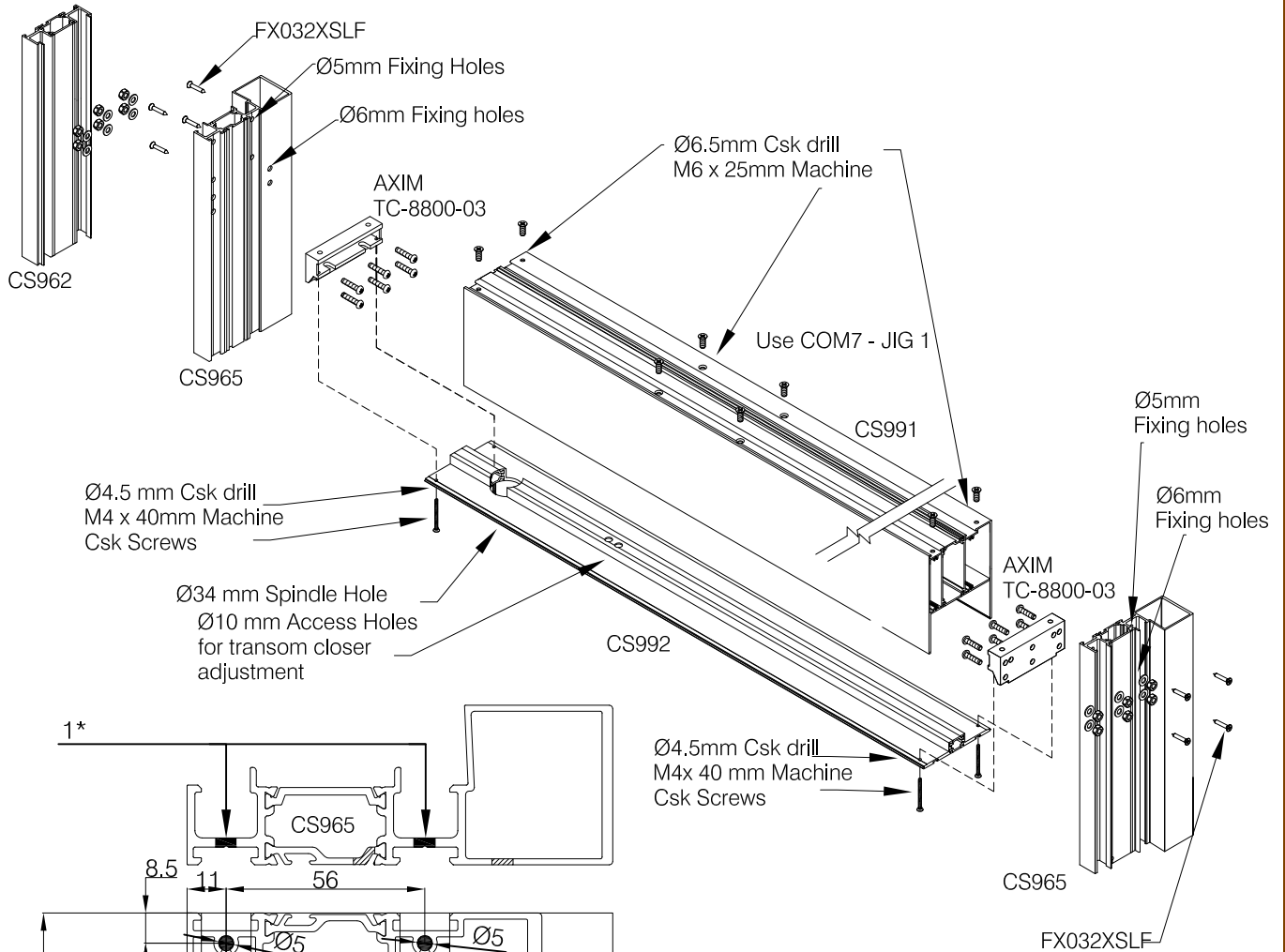


Mullion hole positions for AXIM Transom Support Brackets

Copyright & ownership of this drawing is vested in COMAR Architectural Aluminium Systems, whose prior written consent is required for its use, reproduction or publication to any third party. All other rights reserved. Subject to modifications without prior notification



SCALE	1:1	@ A4
DATE	24/04/17	
DRAWN	VM / KD	
DRG. No.	C7Pi-CD-3.12 R2	



1\* Mullion hole positions for CS991 Profile

Mullion hole positions for AXIM Transom Support Brackets

Copyright & ownership of this drawing is vested in COMAR Architectural Aluminium Systems, whose prior written consent is required for its use, reproduction or publication to any third party. All other rights reserved. Subject to modifications without prior notification

comar 7P.i

TITLE	<b>POLYAMIDE INSULATED DOORS COMAR 7Pi COMMERCIAL DOOR</b>	SHEET No. <b>3.12.2</b>
SUB TITLE	<b>INTENTIONALLY BLANK</b>	



**comar**  
ARCHITECTURAL ALUMINIUM SYSTEMS



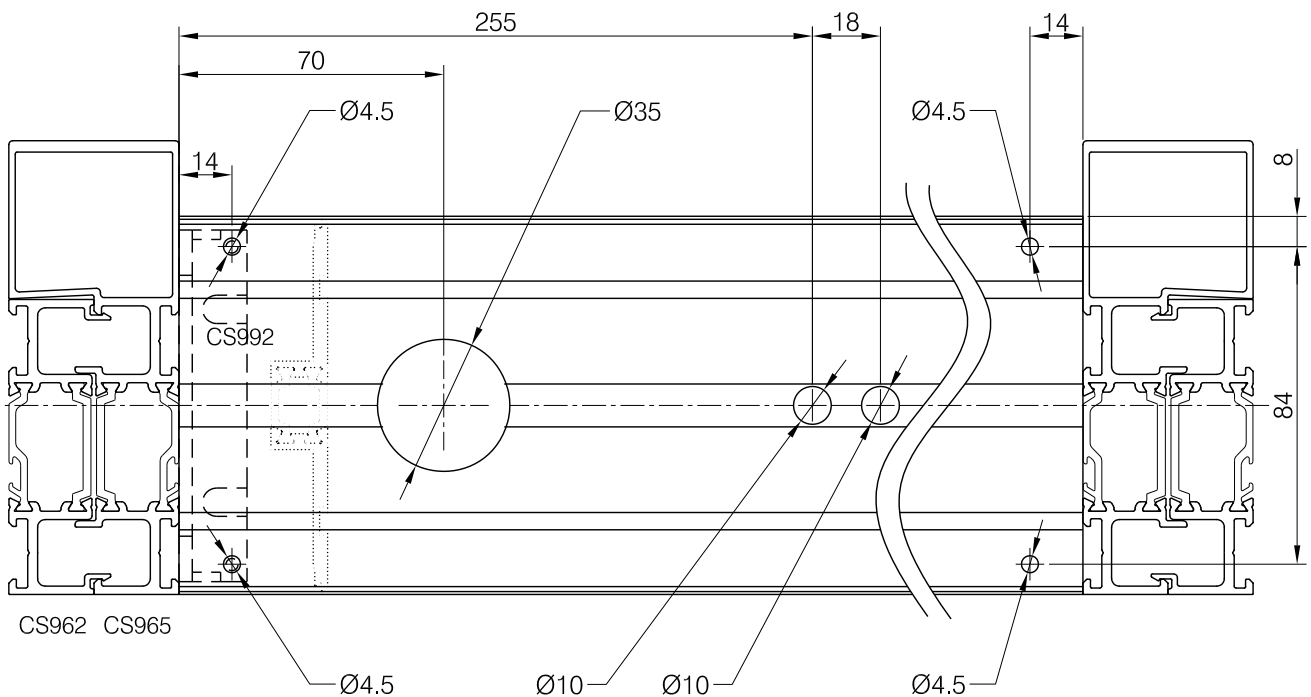
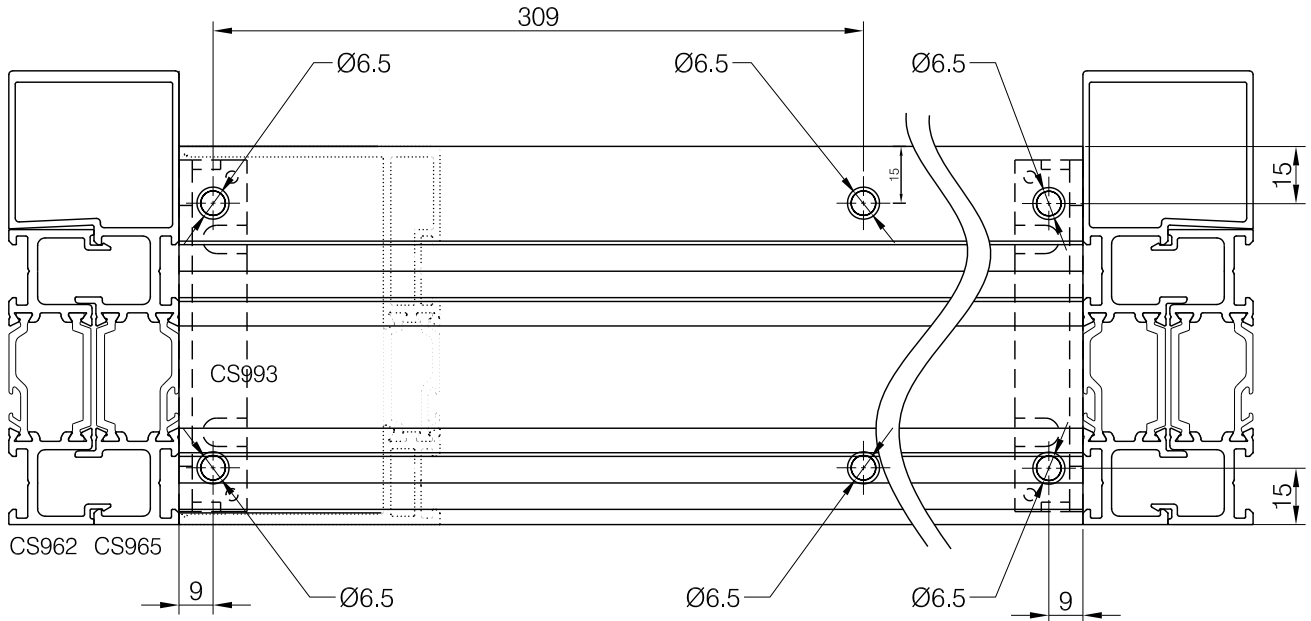
Copyright & ownership of this drawing is vested in COMAR Architectural Aluminium Systems, whose prior written consent is required for its use, reproduction or publication to any third party. All other rights reserved. Subject to modifications without prior notification

THE PARKSIDE GROUP LTD  
UNIT 5 ° THE WILLOW CENTRE  
17 WILLOW LANE ° MITCHAM  
SURREY ° CR4 4NX  
Tel: 020-8685 9685 Fax: 020-8687 1142  
Email: [technical@parksidegrp.co.uk](mailto:technical@parksidegrp.co.uk)  
Web Site: <http://www.comar-alu.co.uk>

SCALE	1:1	@ A4
DATE	25/04/17	
DRAWN	KD	
DRG. No.	C7Pi-CD-3.12.2 R0	



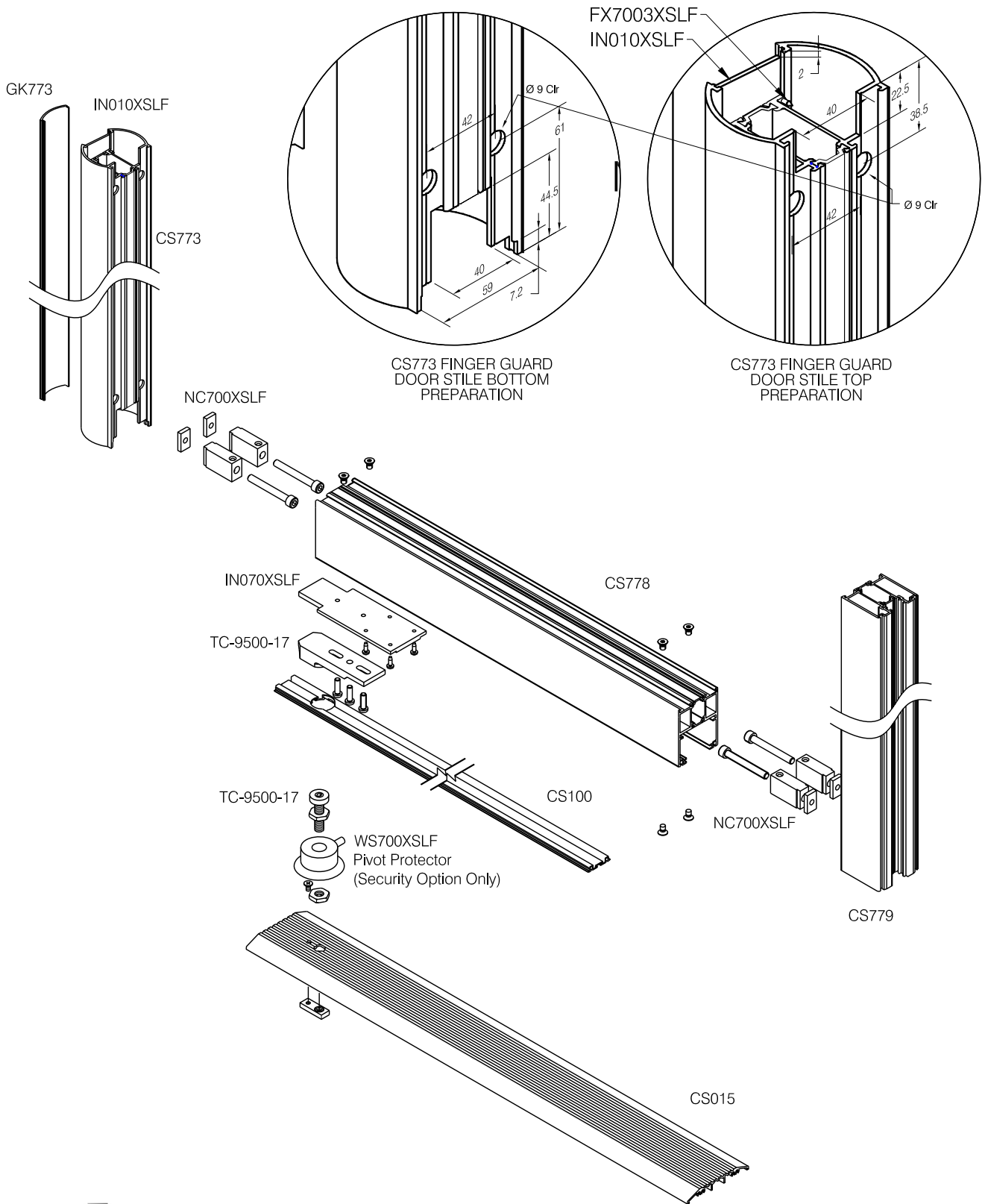
HEADER BAR/PLATE HOLE POSITIONS FOR  
AXIM TRANSOM SUPPORT BRACKETS  
USE COM7-JIG1



Copyright & ownership of this drawing is vested in COMAR Architectural Aluminium Systems, whose prior written consent is required for its use, reproduction or publication to any third party. All other rights reserved. Subject to modifications without prior notification



SCALE	1:1	© A4
DATE	01/06/11	
DRAWN	VM / CAD	
DRG. No.	C7Pi-CD-3.13	R0



Copyright & ownership of this drawing is vested in COMAR Architectural Aluminium Systems, whose prior written consent is required for its use, reproduction or publication to any third party. All other rights reserved. Subject to modifications without prior notification

SCALE	NTS	© A4
DATE	25/09/14	
DRAWN	VM/KP	
DRG. No.	C7Pi-CD-3.14 R2	

PLEASE NOTE: ALL PREPS FOR CS773 SHOULD BE DONE PRIOR TO FRAME ASSEMBLY.

**ASSEMBLY:**

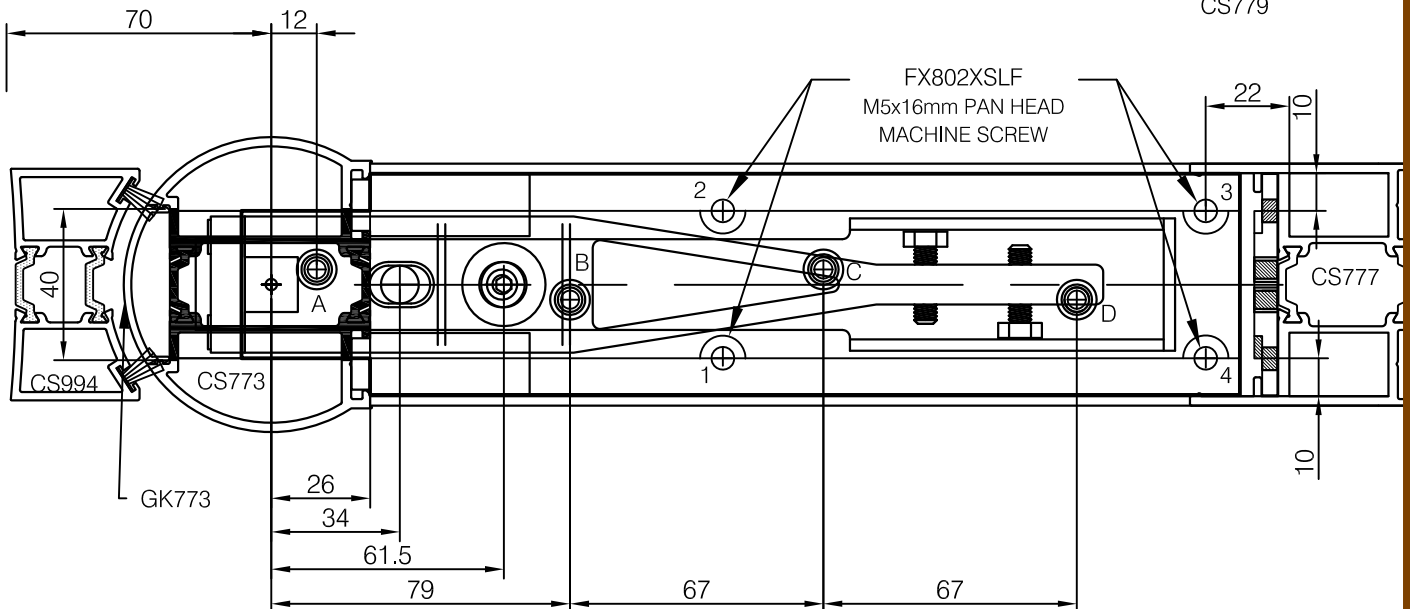
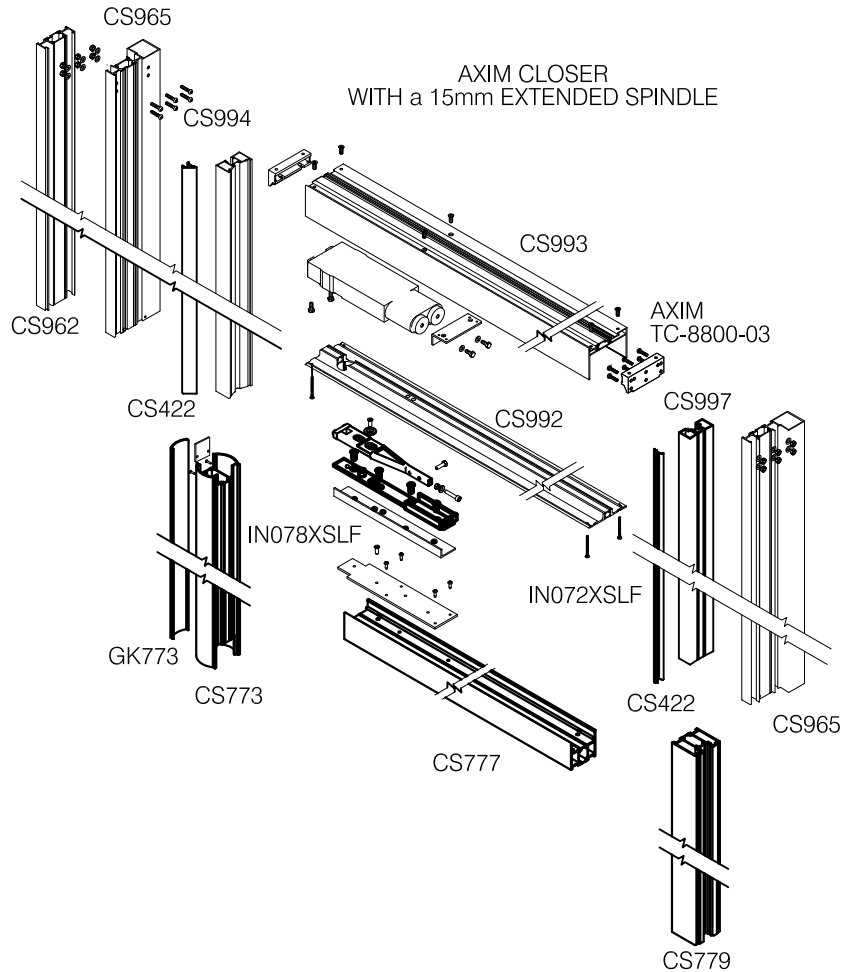
1. NC071XSLF/NC072XSLF SLIDES IN TO CS777 PRIOR TO LEAF ASSEMBLY.

2. USING CENTER PUNCH MARK HOLES 1-4 & B,C,D. REMOVE NC071XSLF/NC072XSLF AND DRILL&TAP HOLES 1-4 FOR M5 SCREWS. DRILL HOLES B,C,D USING 5MM DRILL BIT.

3. WHEN DOOR LEAF CORNERS ARE FIXED WITH CLEATS NC071XSLF/NC072XSLF SLIDE PLATE BACK & FIX IT TO CS777 WITH 4FX802XSLF SCREWS.

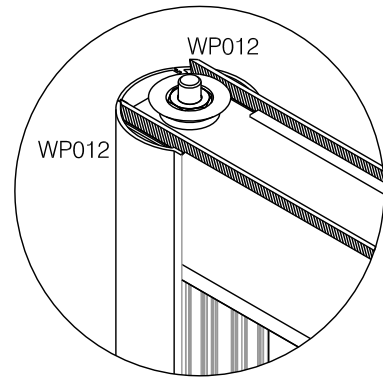
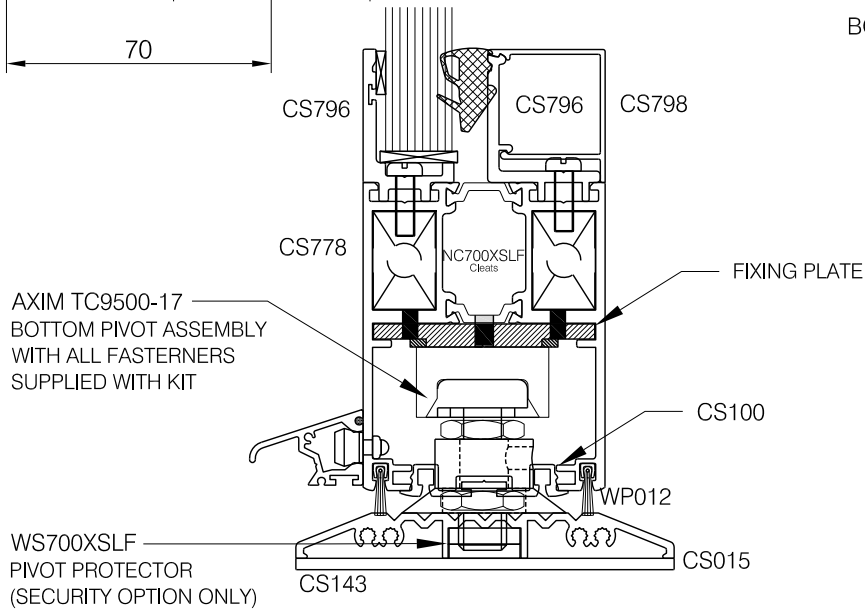
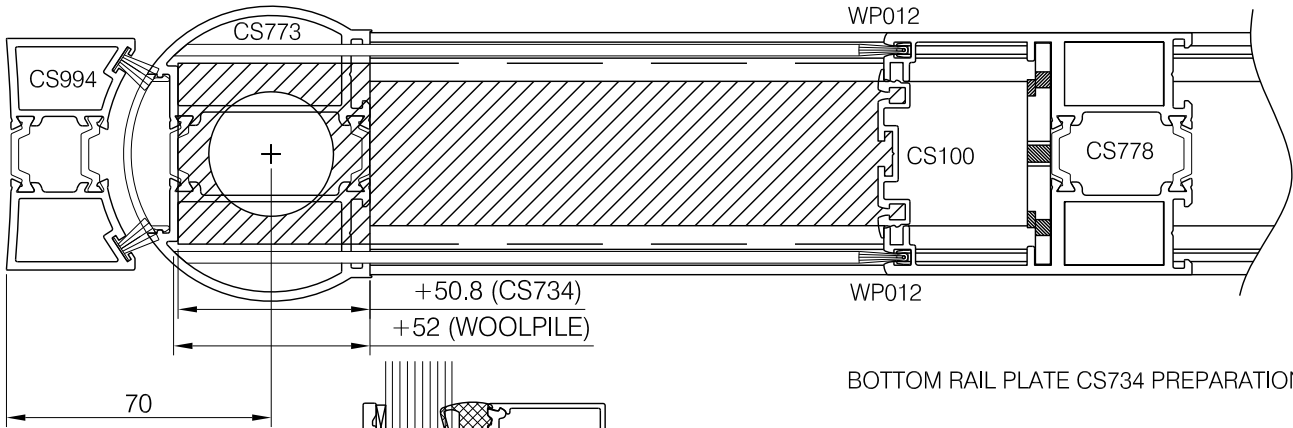
4. THEN FIX END LOAD ARM TC-8800-15 TO PLATE NC071XSLF/NC072XSLF USING SCREWS SUPPLIED IN KIT.

5. INSTALL TOP ARM PROTECTION ANGLE BETWEEN NC072XSLF AND TOP ARM PLATE.

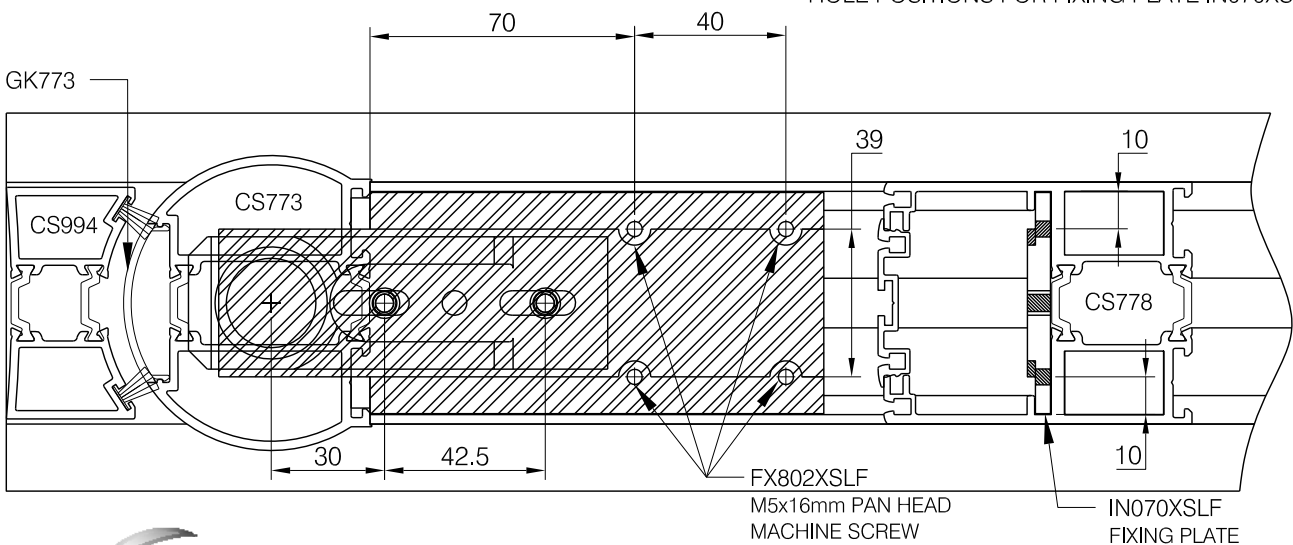


Copyright & ownership of this drawing is vested in COMAR Architectural Aluminium Systems, whose prior written consent is required for its use, reproduction or publication to any third party. All other rights reserved. Subject to modifications without prior notification.

SCALE	NTS	@ A4
DATE	25/04/17	
DRAWN	VM/KD	
DRG. No.	C7Pi-CD-3.15 R2	



**HOLE POSITIONS FOR FIXING PLATE IN070XSFLF**



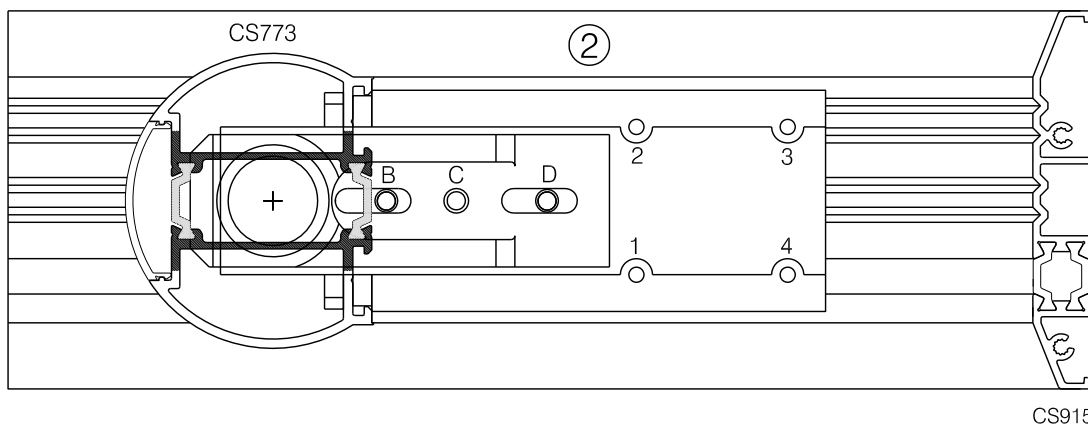
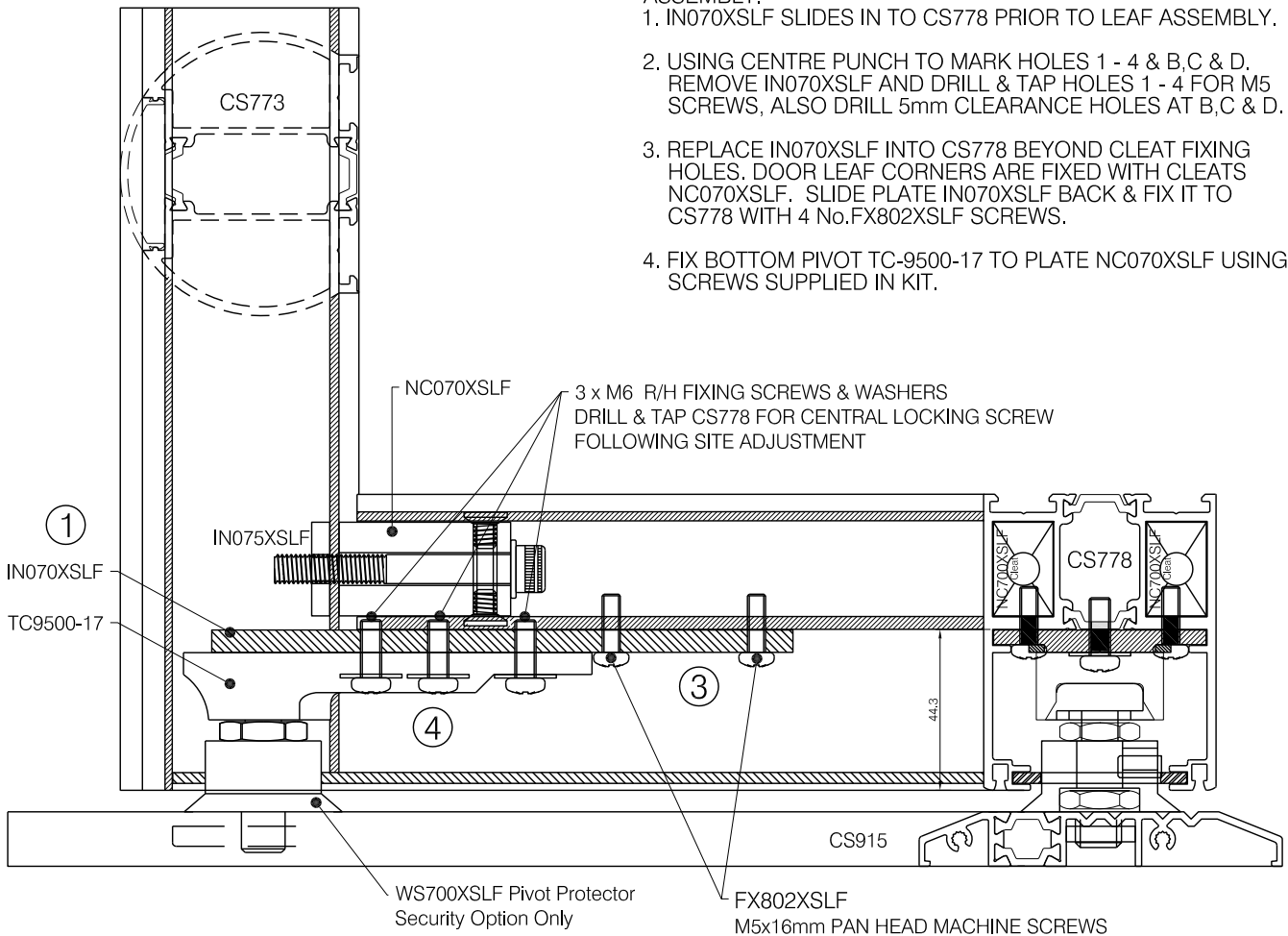
Copyright & ownership of this drawing is vested in COMAR Architectural Aluminium Systems, whose prior written consent is required for its use, reproduction or publication to any third party. All other rights reserved. Subject to modifications without prior notification

SCALE	1:1	© A4
DATE	01/06/11	
DRAWN	VM / CAD	
DRG. No.	C7Pi-CD-3.16	R0

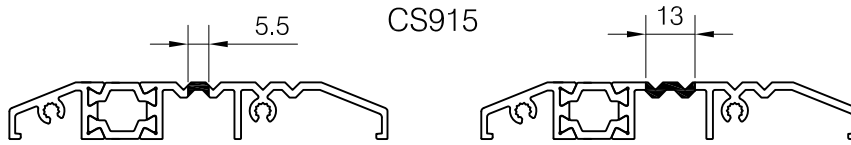
PLEASE NOTE: ALL PREPS FOR CS773 SHOULD BE DONE PRIOR TO FRAME ASSEMBLY.

ASSEMBLY:

1. IN070XSFL SLIDES IN TO CS778 PRIOR TO LEAF ASSEMBLY.
2. USING CENTRE PUNCH TO MARK HOLES 1 - 4 & B,C & D. REMOVE IN070XSFL AND DRILL & TAP HOLES 1 - 4 FOR M5 SCREWS, ALSO DRILL 5mm CLEARANCE HOLES AT B,C & D.
3. REPLACE IN070XSFL INTO CS778 BEYOND CLEAT FIXING HOLES. DOOR LEAF CORNERS ARE FIXED WITH CLEATS NC070XSFL. SLIDE PLATE IN070XSFL BACK & FIX IT TO CS778 WITH 4 No.FX802XSFL SCREWS.
4. FIX BOTTOM PIVOT TC-9500-17 TO PLATE NC070XSFL USING SCREWS SUPPLIED IN KIT.

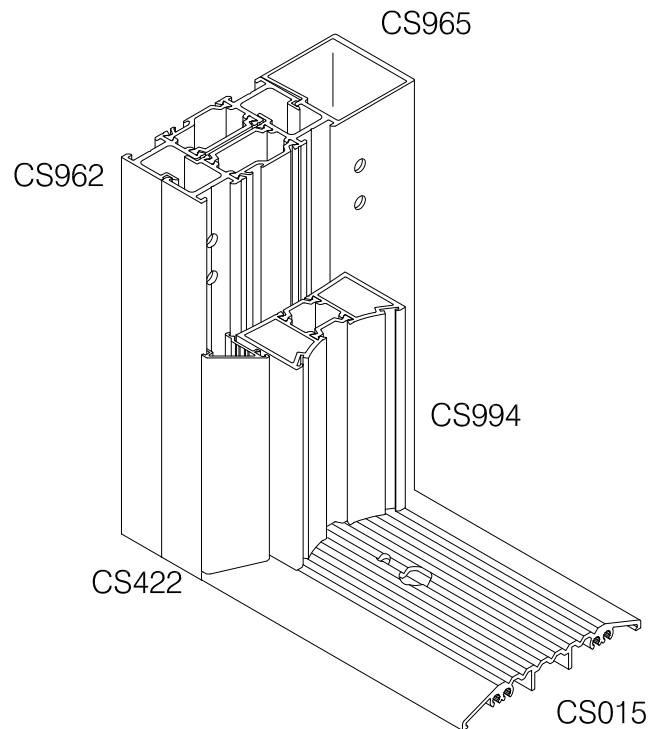
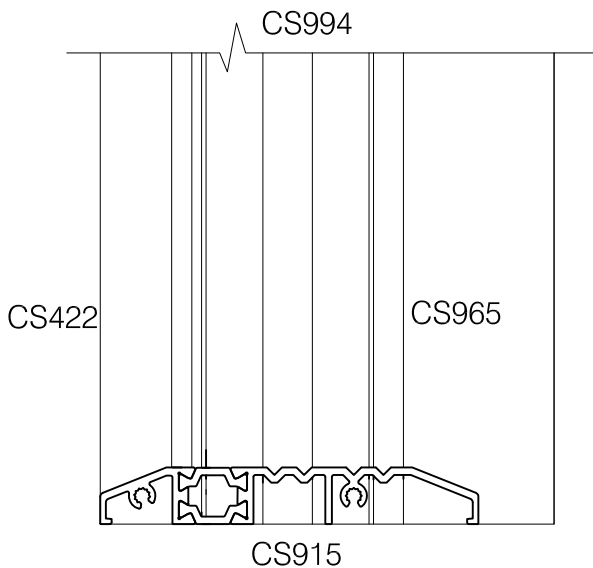
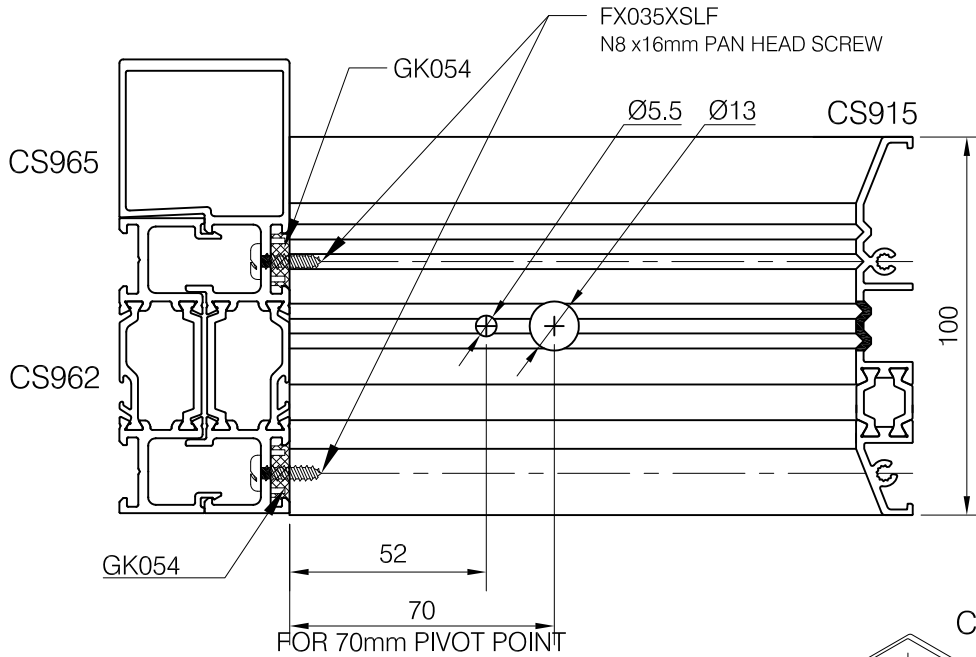


Copyright & ownership of this drawing is vested in COMAR Architectural Aluminium Systems, whose prior written consent is required for its use, reproduction or publication to any third party. All other rights reserved. Subject to modifications without prior notification

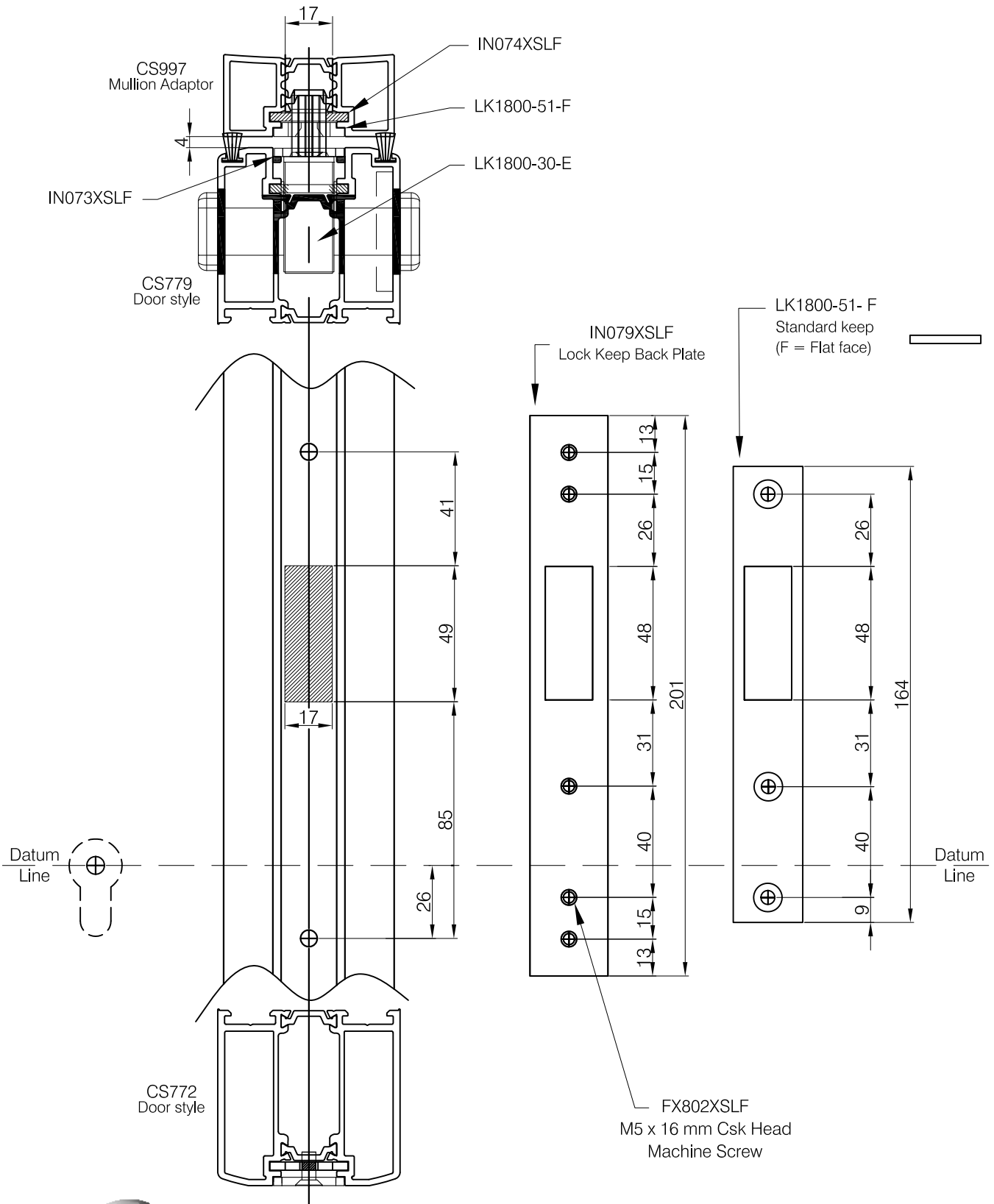


USE TOOL 13 STATION 2 TO  
PUNCH 5.5mm HOLE IN CS915

USE TOOL 13 STATION 4 TO  
PUNCH 13mm HOLE IN CS915



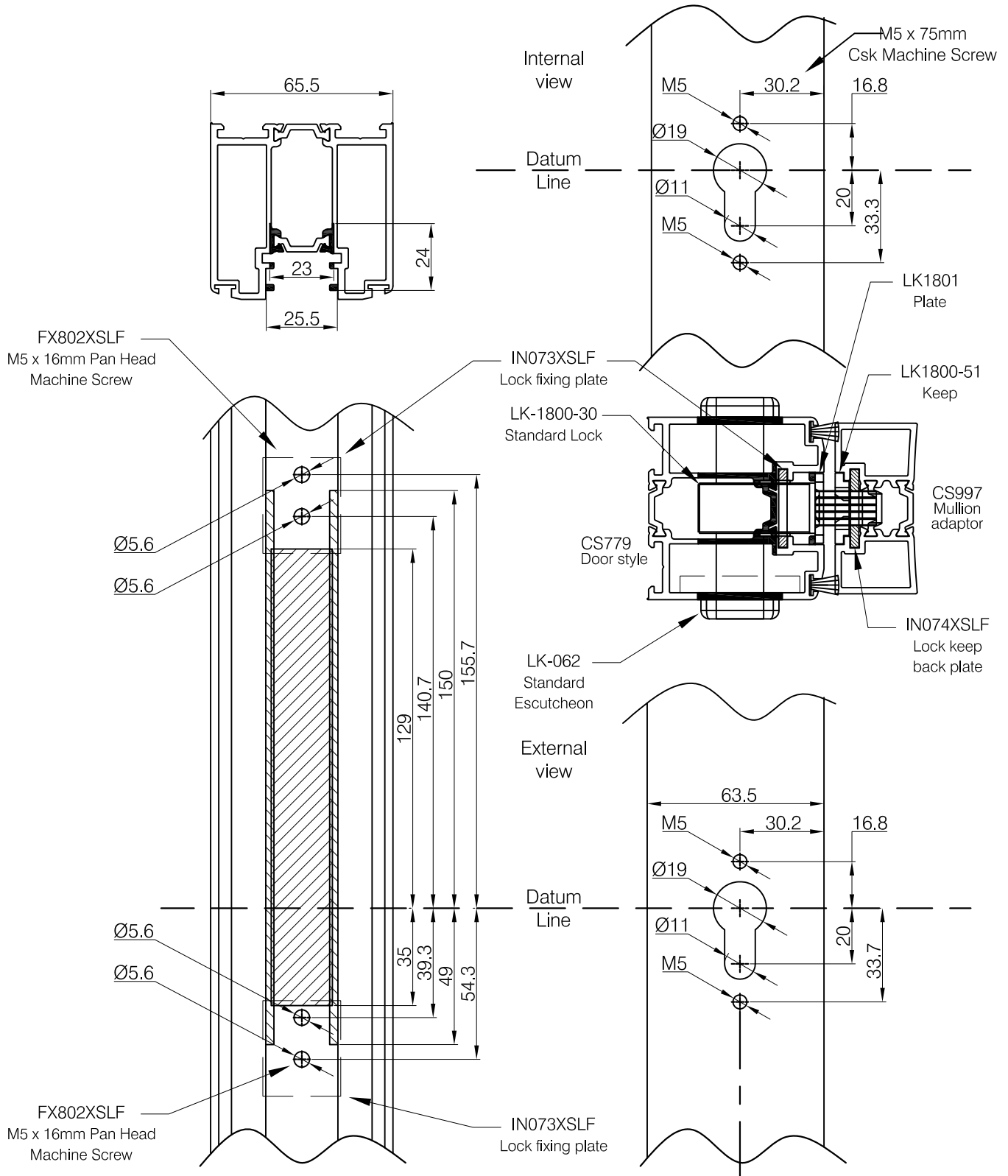
Copyright & ownership of this drawing is vested in COMAR Architectural Aluminium Systems, whose prior written consent is required for its use, reproduction or publication to any third party. All other rights reserved. Subject to modifications without prior notification



Copyright & ownership of this drawing is vested in COMAR Architectural Aluminium Systems, whose prior written consent is required for its use, reproduction or publication to any third party. All other rights reserved. Subject to modifications without prior notification

SCALE	1: 2	@ A4
DATE	28/03/17	
DRAWN	VM/KD	
DRG. No.	C7Pi-CD-3.19	R2



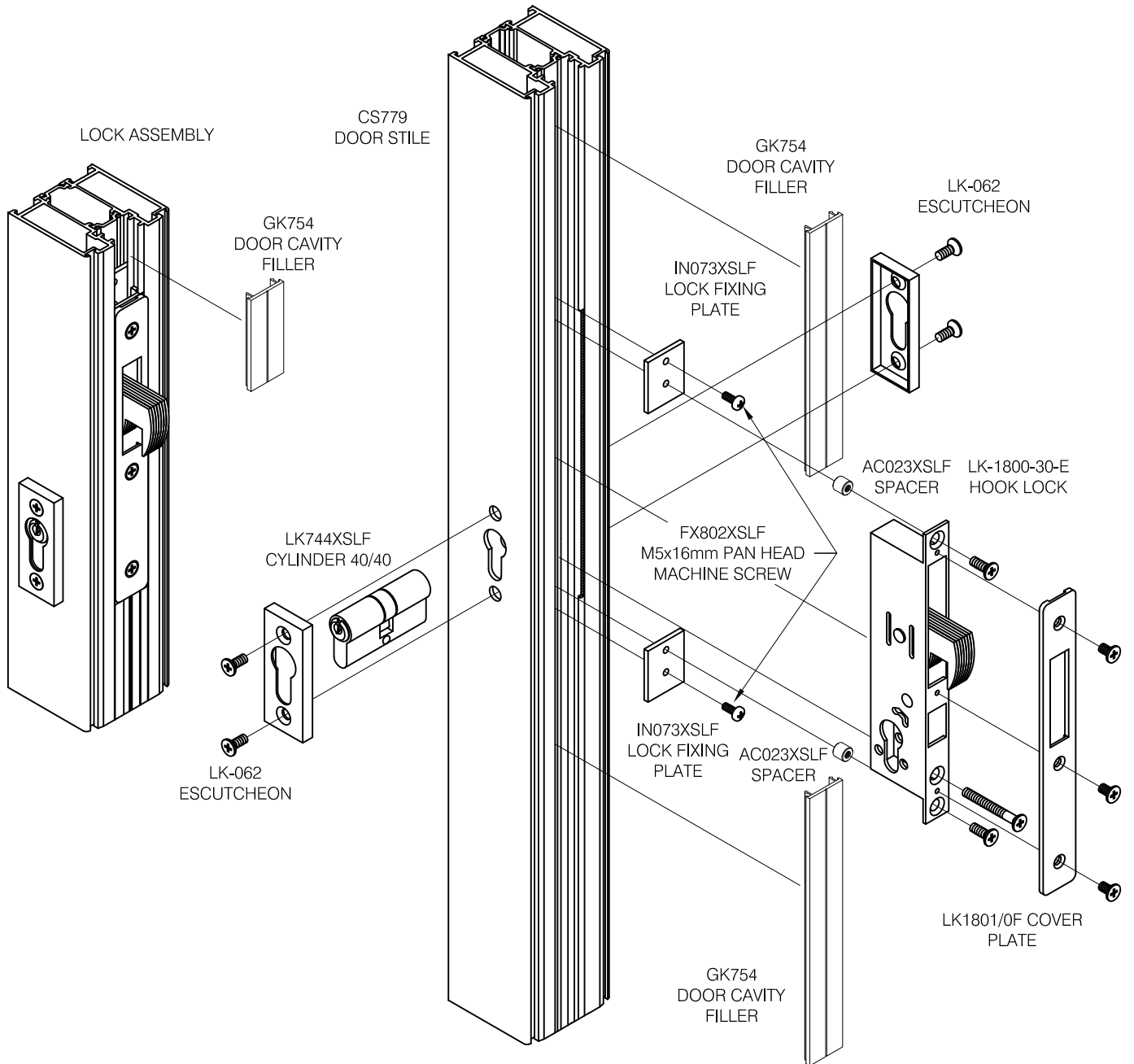


Copyright & ownership of this drawing is vested in COMAR Architectural Aluminium Systems, whose prior written consent is required for its use, reproduction or publication to any third party. All other rights reserved. Subject to modifications without prior notification

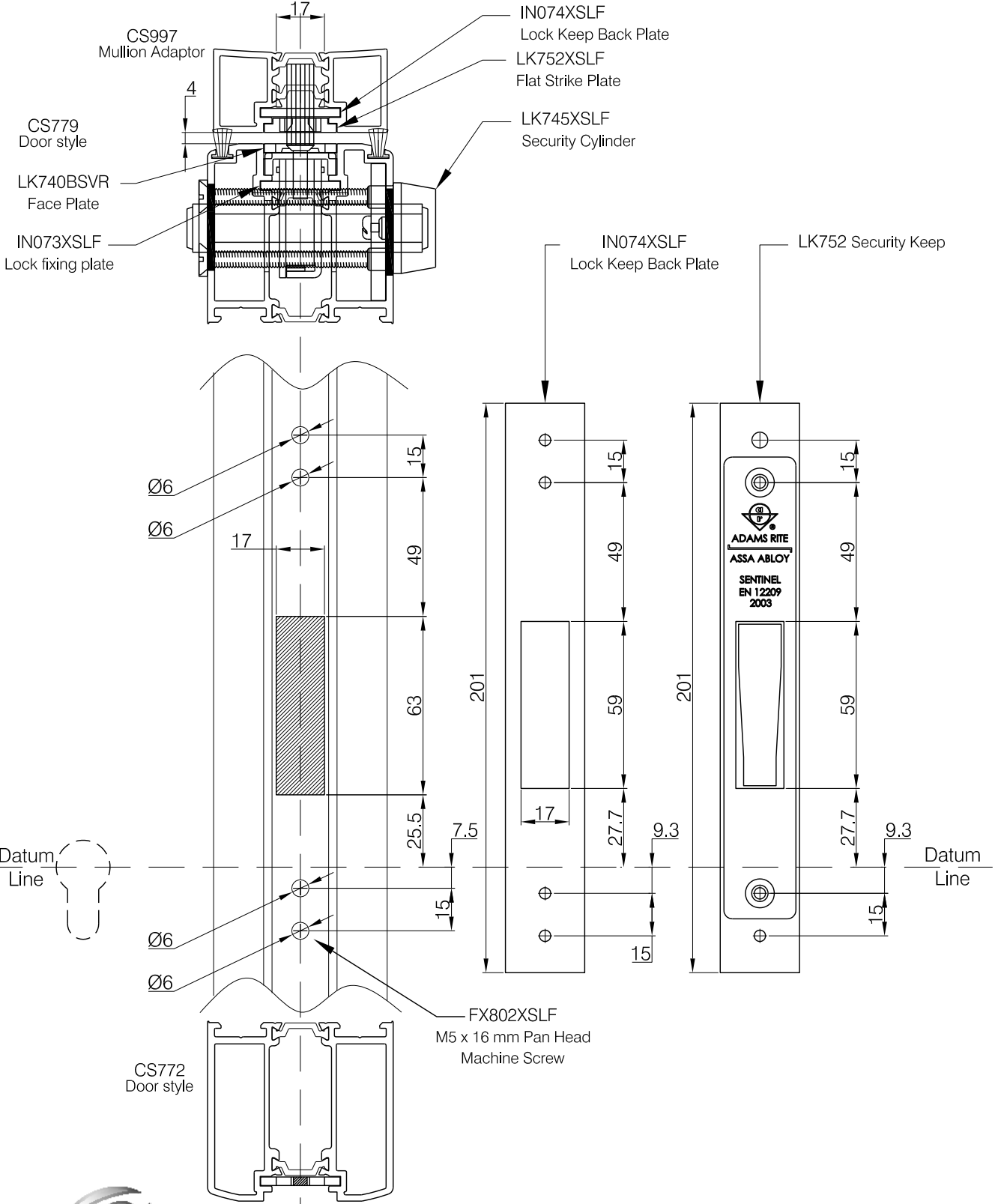


SCALE	1: 2	© A4
DATE	24/04/17	
DRAWN	VM / KD	
DRG. No.	C7Pi-CD-3.20 R2	



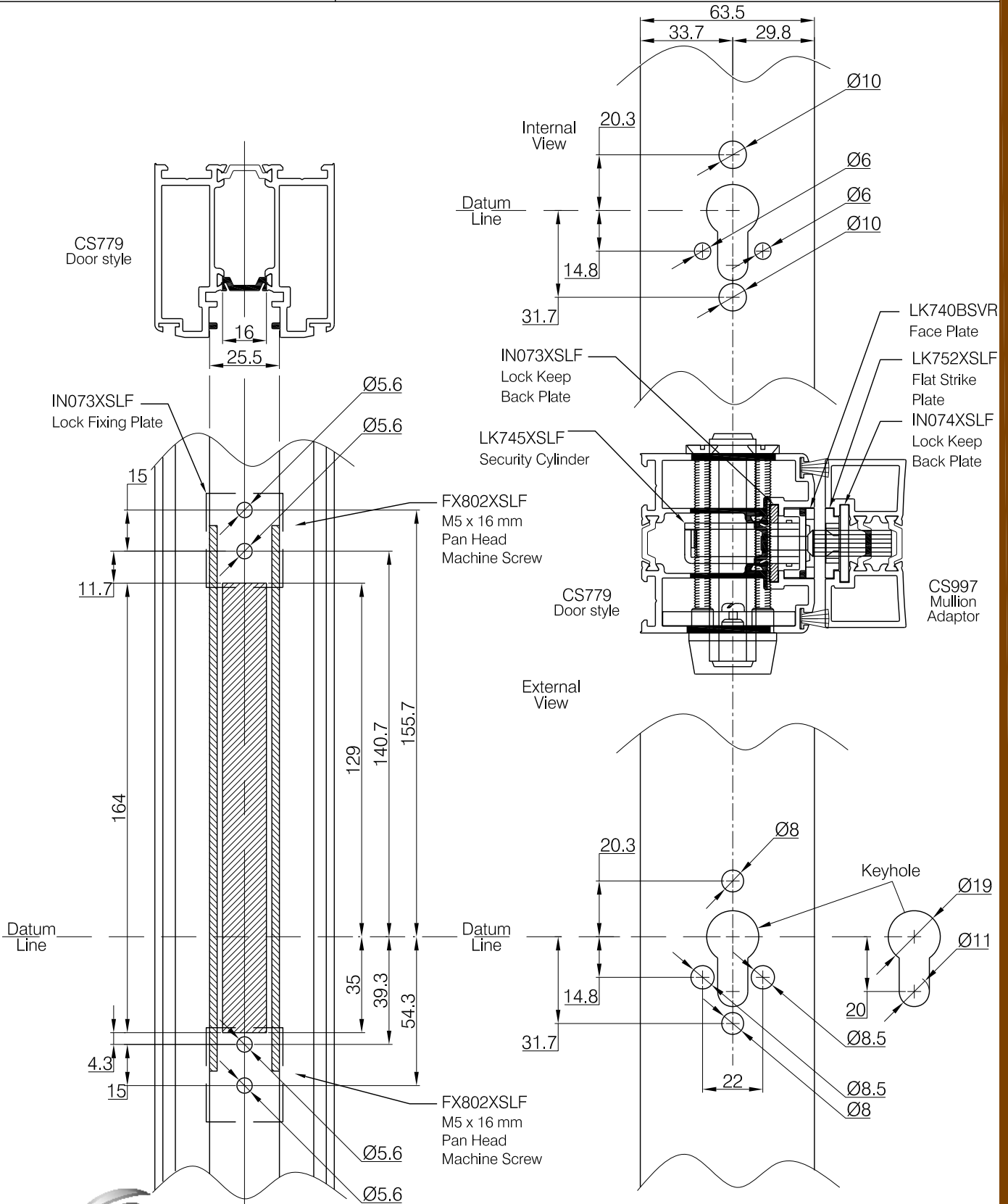


Copyright & ownership of this drawing is vested in COMAR Architectural Aluminium Systems, whose prior written consent is required for its use, reproduction or publication to any third party. All other rights reserved. Subject to modifications without prior notification



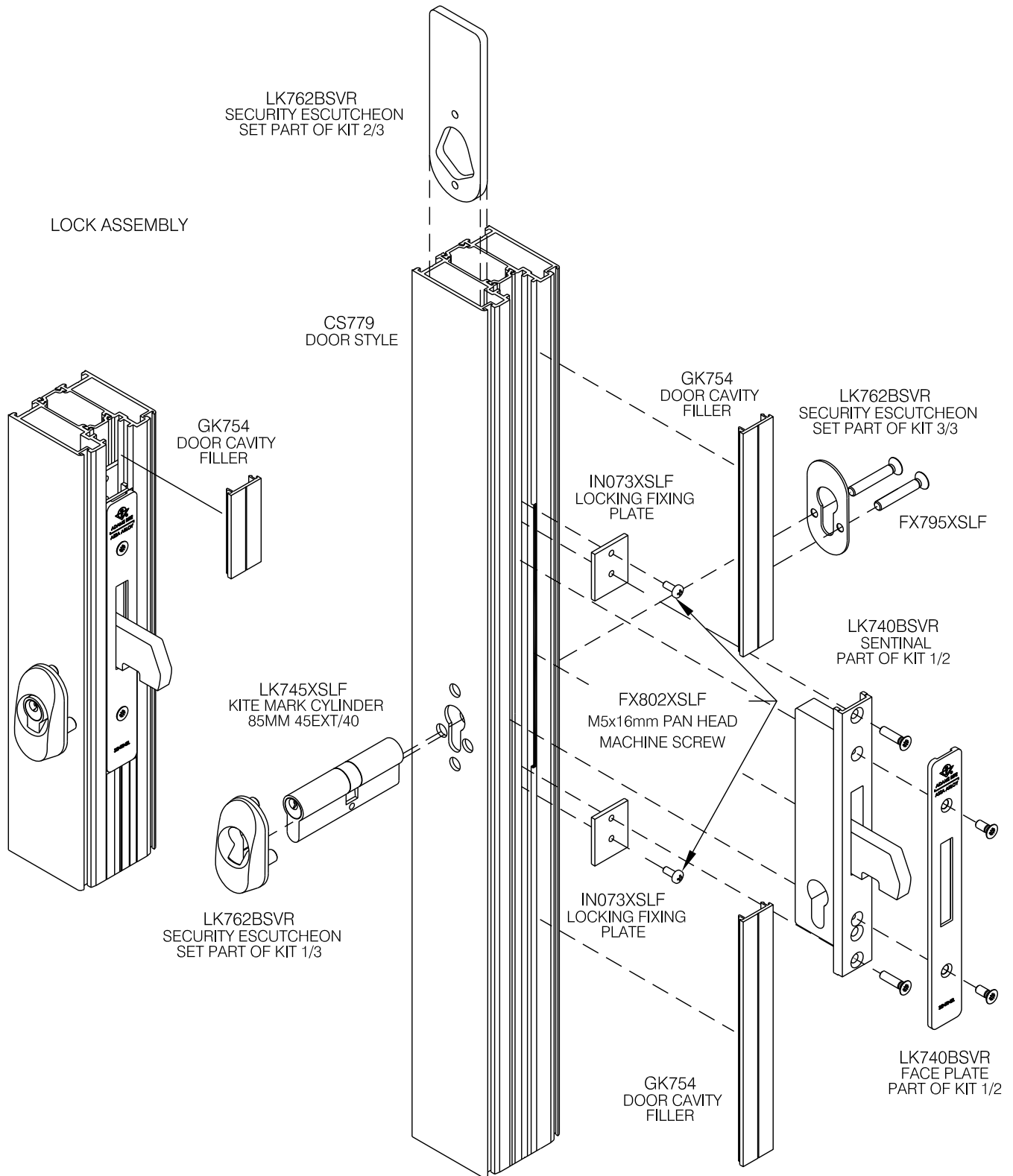
Copyright & ownership of this drawing is vested in COMAR Architectural Aluminium Systems, whose prior written consent is required for its use, reproduction or publication to any third party. All other rights reserved. Subject to modifications without prior notification

SCALE	1:2	© A4
DATE	25/09/14	
DRAWN	VM/KP	
DRG. No.	C7Pi-CD-3.22 R2	



Copyright & ownership of this drawing is vested in COMAR Architectural Aluminium Systems, whose prior written consent is required for its use, reproduction or publication to any third party. All other rights reserved. Subject to modifications without prior notification

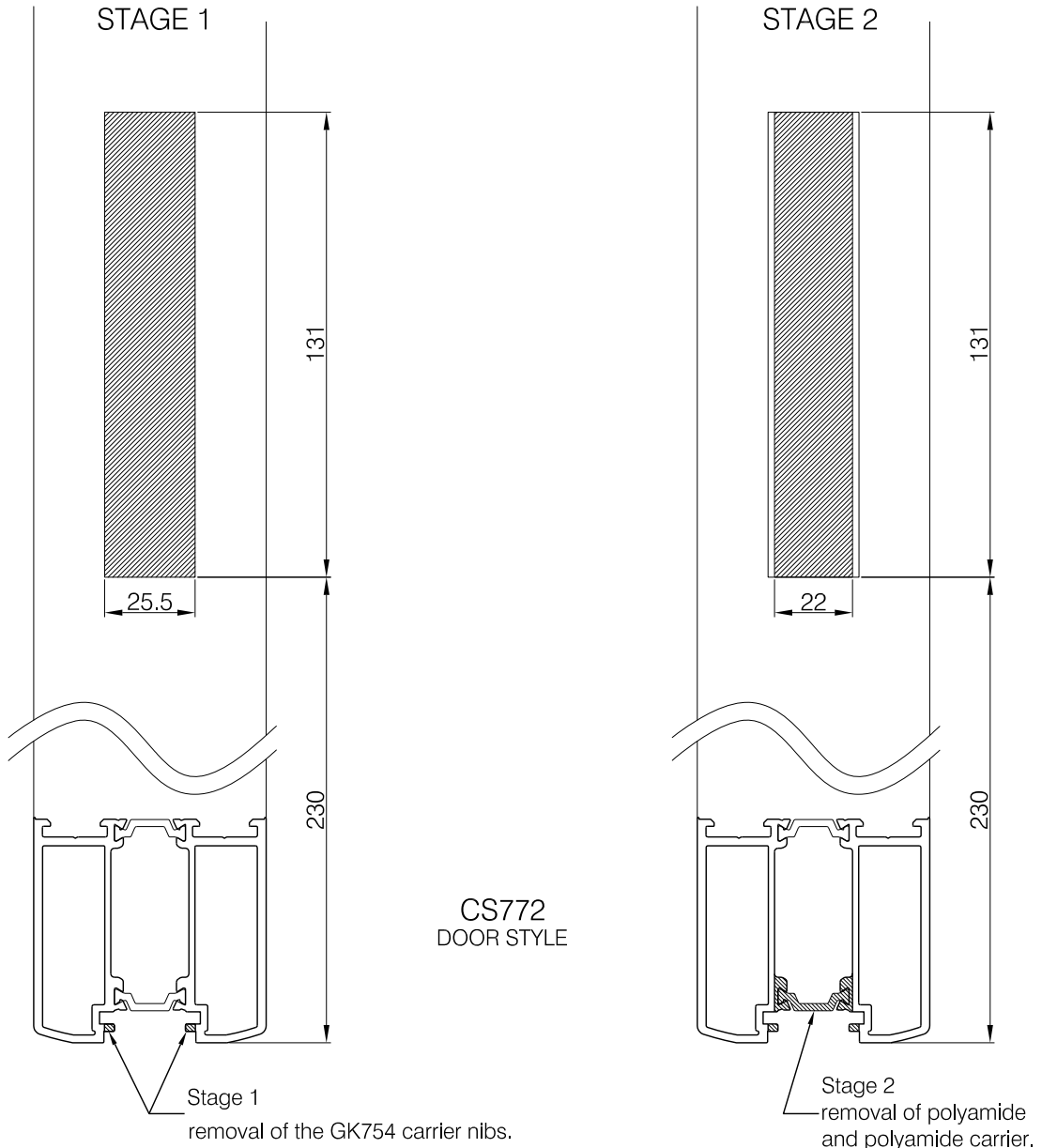
SCALE	1:2	© A4
DATE	24/09/14	
DRAWN	VM/KP	
DRG. No.	C7Pi-CD-3.23 R2	



Copyright & ownership of this drawing is vested in COMAR Architectural Aluminium Systems, whose prior written consent is required for its use, reproduction or publication to any third party. All other rights reserved. Subject to modifications without prior notification



SCALE	NTS	© A4
DATE	01/06/11	
DRAWN	VM / CAD	
DRG. No.	C7Pi-CD-3.24	RO



Copyright & ownership of this drawing is vested in COMAR Architectural Aluminium Systems, whose prior written consent is required for its use, reproduction or publication to any third party. All other rights reserved. Subject to modifications without prior notification.

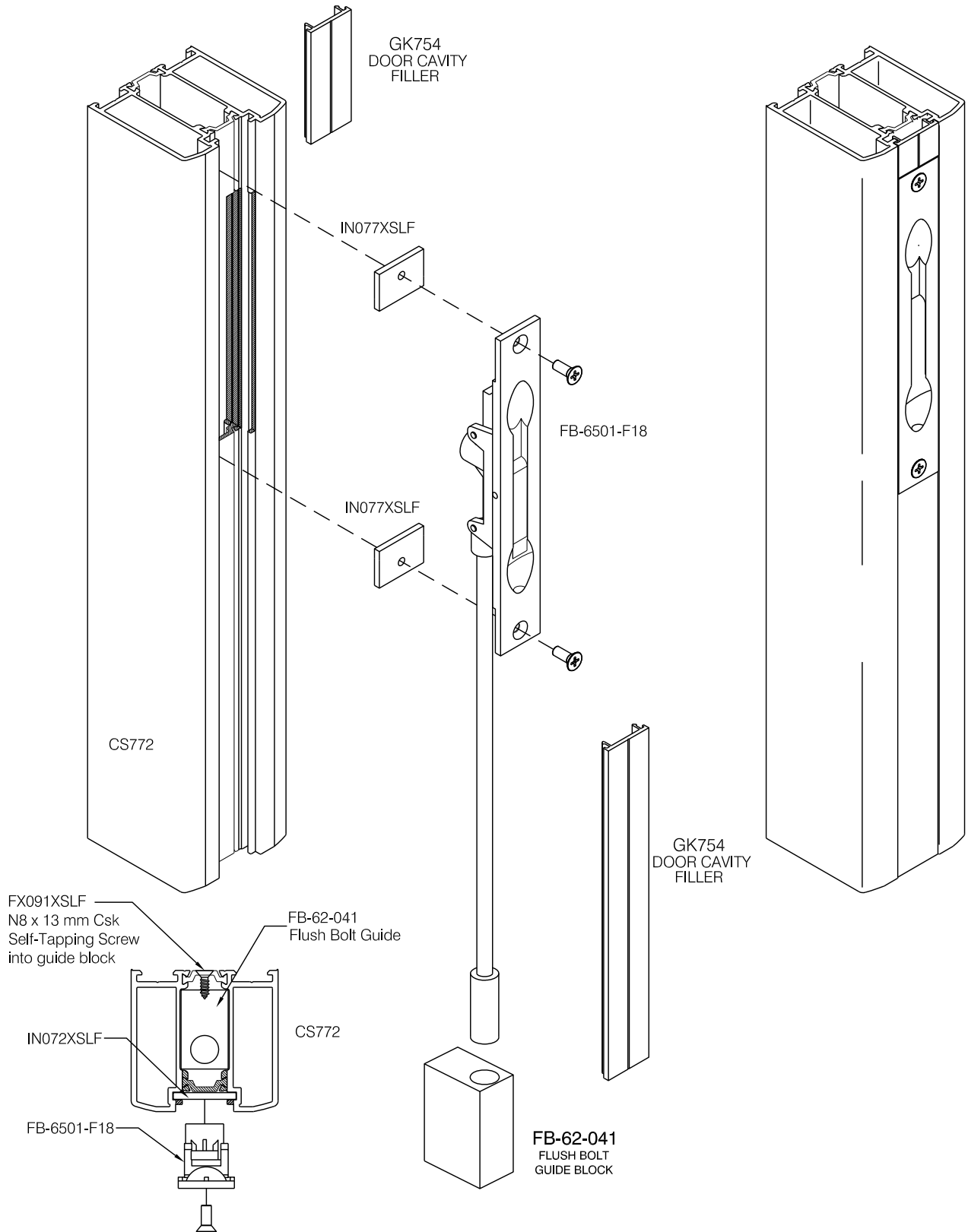


**comar**  
 ARCHITECTURAL ALUMINIUM SYSTEMS



THE PARKSIDE GROUP LTD  
 UNIT 5 ° THE WILLOW CENTRE  
 17 WILLOW LANE ° MITCHAM  
 SURREY ° CR4 4NX  
 Tel: 020-8685 9685 Fax: 020-8687 1142  
 Email: technical@parksidegrp.co.uk  
 Web Site: http://www.comar-alu.co.uk

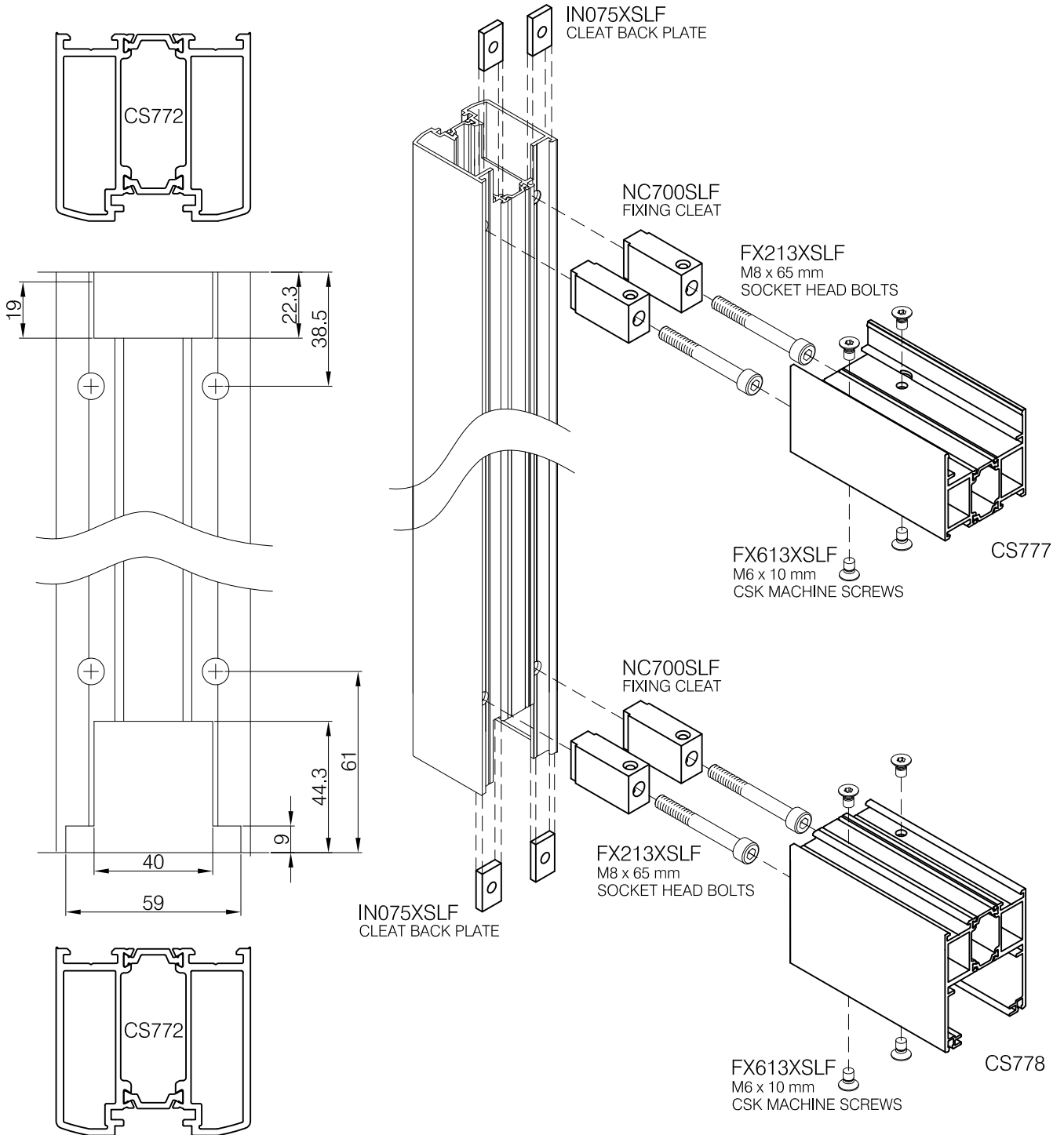
SCALE	1: 2	© A4
DATE	25/09/14	
DRAWN	VM/KP	
DRG. No.	C7Pi-CD-3.25 R1	



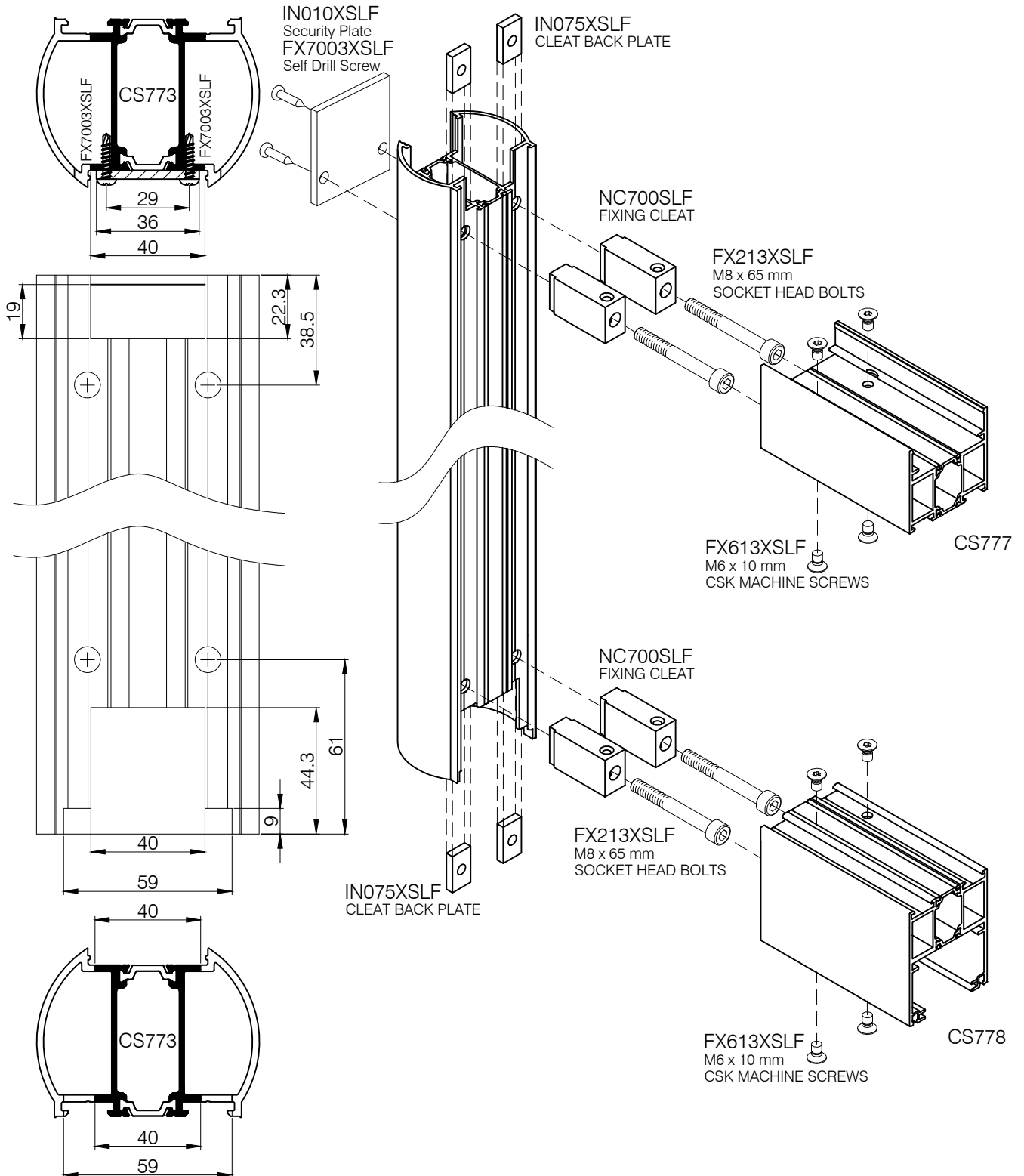
Copyright & ownership of this drawing is vested in COMAR Architectural Aluminium Systems, whose prior written consent is required for its use, reproduction or publication to any third party. All other rights reserved. Subject to modifications without prior notification



SCALE	NTS	© A4
DATE	25/09/14	
DRAWN	VM/KP	
DRG. No.	C7Pi-CD-3.26 R1	



SCALE	NTS	© A4
DATE	24/04/17	
DRAWN	KP / KD	
DRG. No.	C7Pi-CD-3.26.1 R0	

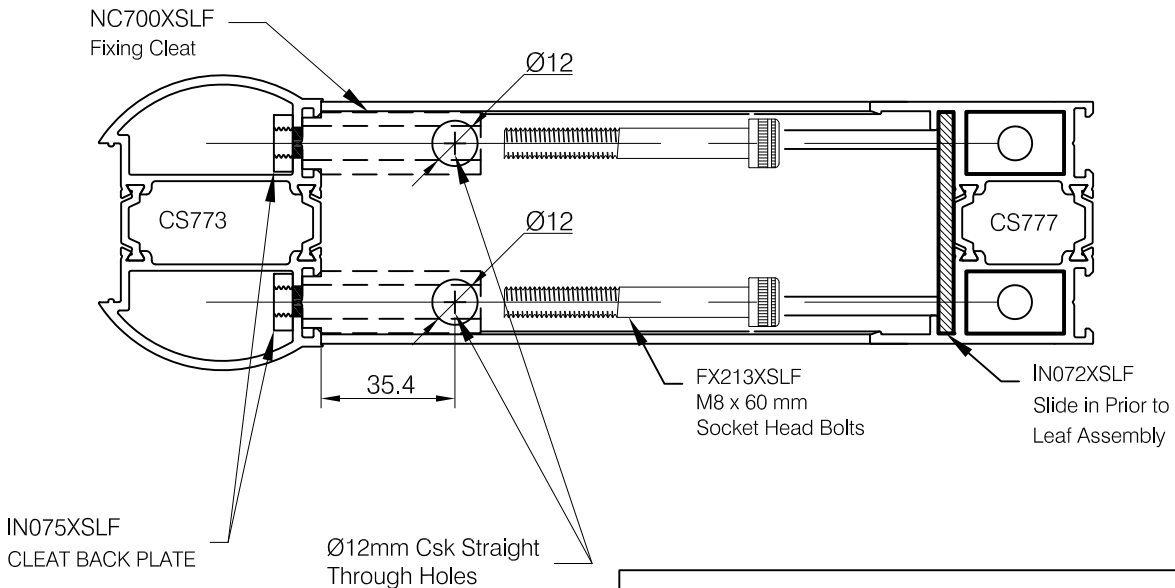
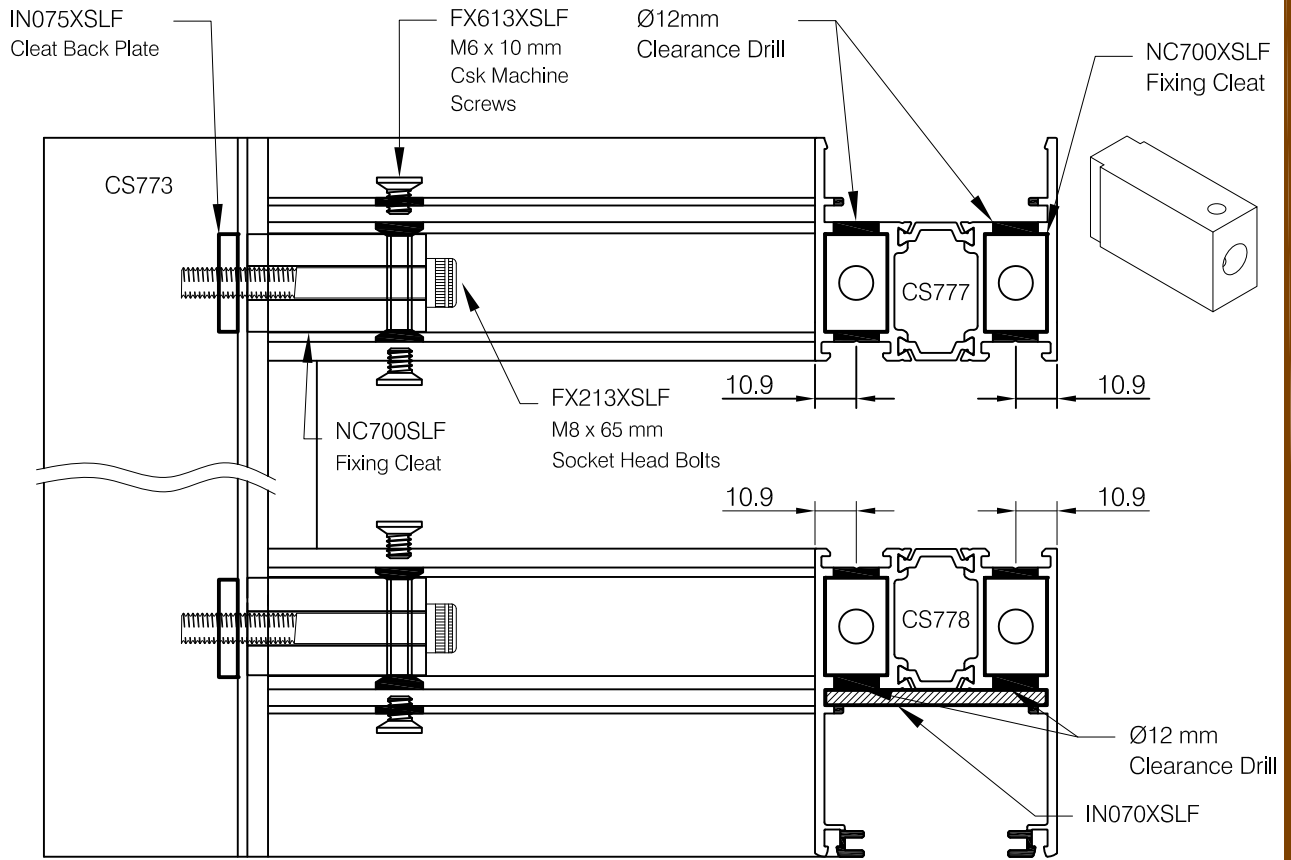


Copyright & ownership of this drawing is vested in COMAR Architectural Aluminium Systems, whose prior written consent is required for its use, reproduction or publication to any third party. All other rights reserved. Subject to modifications without prior notification



SCALE	NTS	© A4
DATE	21/03/16	
DRAWN	KP/AMR	
DRG. No.	C7Pi-CD-3.27	R2



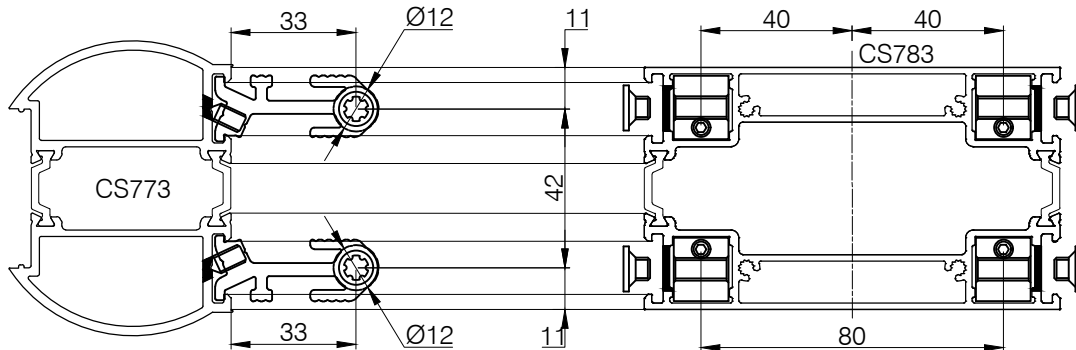
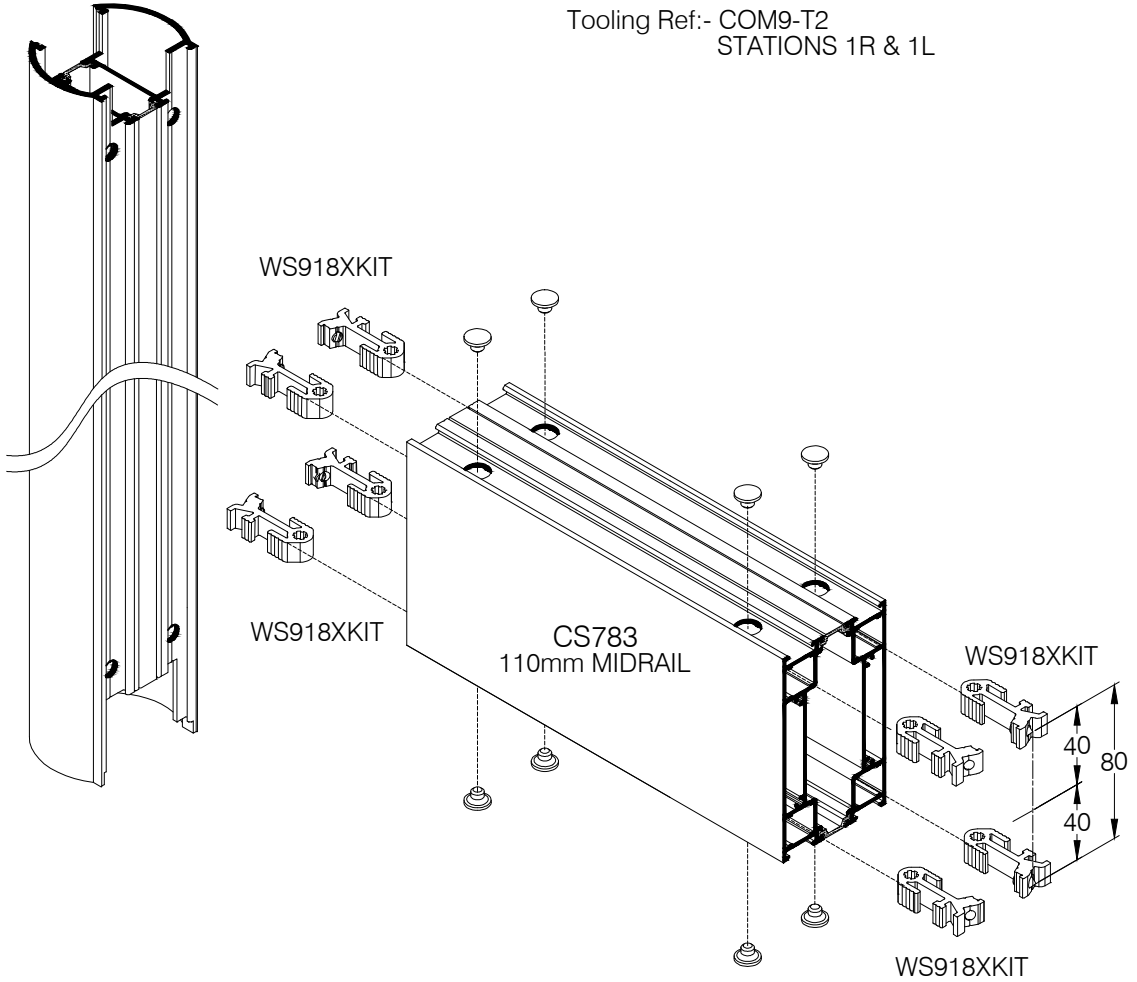


PLEASE NOTE: ALL PREPS FOR CS773,CS772 SHOULD BE DONE PRIOR TO LEAF ASSEMBLY. WP007, IN070 AND IN072 SHOULD BE SLID IN PRIOR TO LEAF ASSEMBLY

Copyright & ownership of this drawing is vested in COMAR Architectural Aluminium Systems, whose prior written consent is required for its use, reproduction or publication to any third party. All other rights reserved. Subject to modifications without prior notification

CS773  
FINGER GUARD  
DOOR STYLE

Tooling Ref:- COM9-T2  
STATIONS 1R & 1L



Copyright & ownership of this drawing is vested in COMAR Architectural Aluminium Systems, whose prior written consent is required for its use, reproduction or publication to any third party. All other rights reserved. Subject to modifications without prior notification

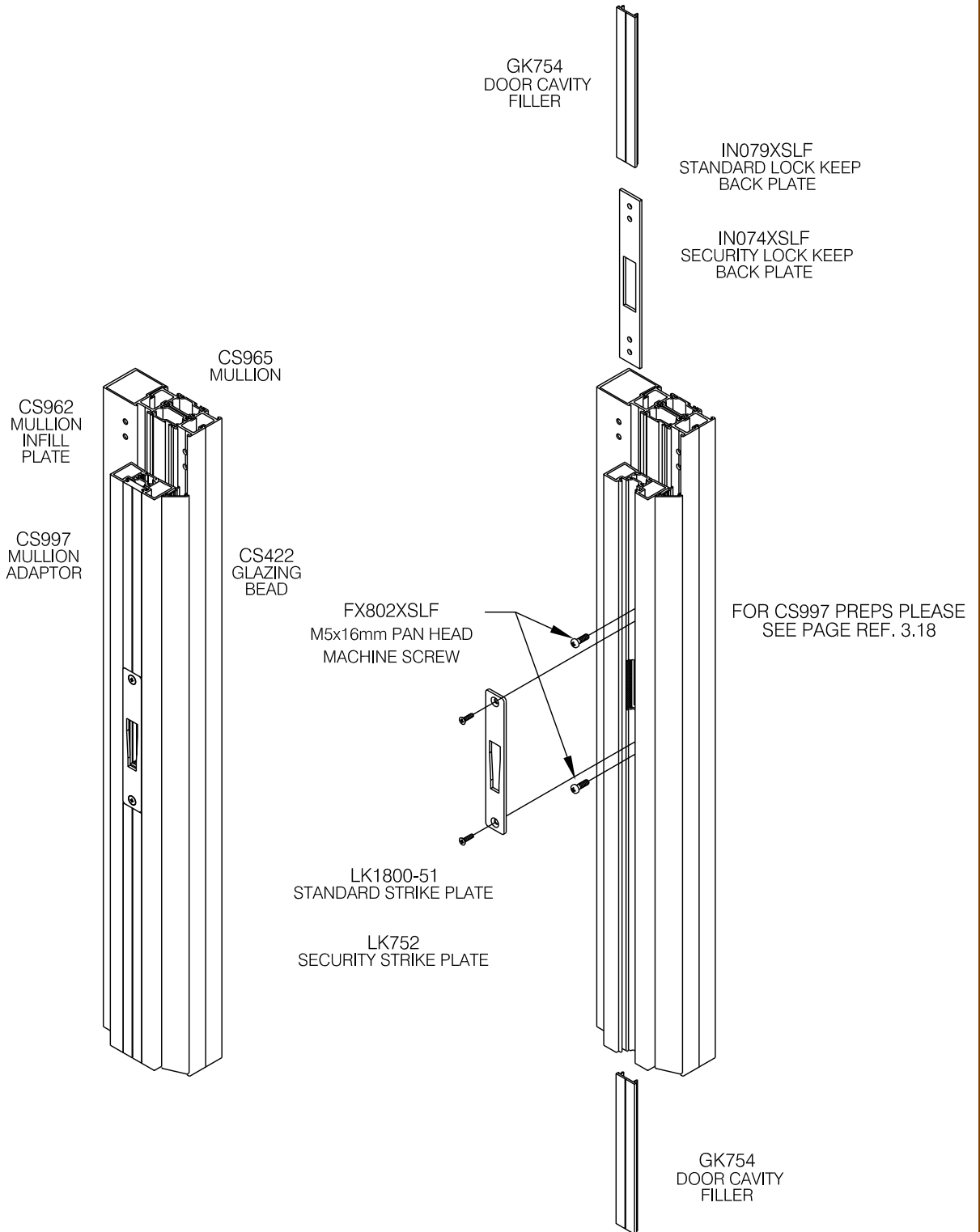


**comar**  
ARCHITECTURAL ALUMINIUM SYSTEMS

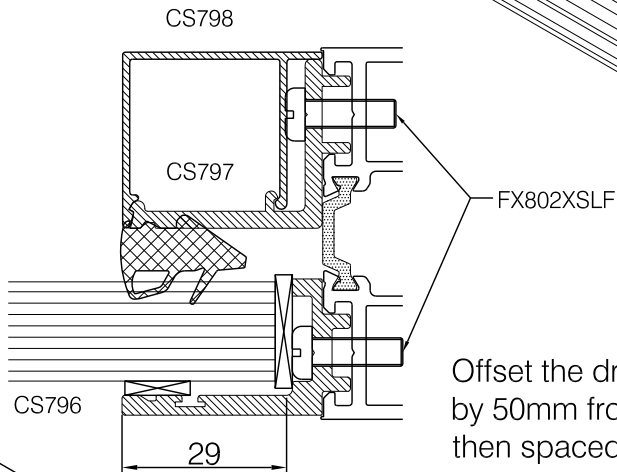


THE PARKSIDE GROUP LTD  
UNIT 5 ° THE WILLOW CENTRE  
17 WILLOW LANE ° MITCHAM  
SURREY ° CR4 4NX  
Tel: 020-8685 9685 Fax: 020-8687 1142  
Email: technical@parksidegrp.co.uk  
Web Site: <http://www.comar-alu.co.uk>

SCALE	NTS	© A4
DATE	21/03/16	
DRAWN	KP/AMR	
DRG. No.	C7Pi-CD-3.29 R2	

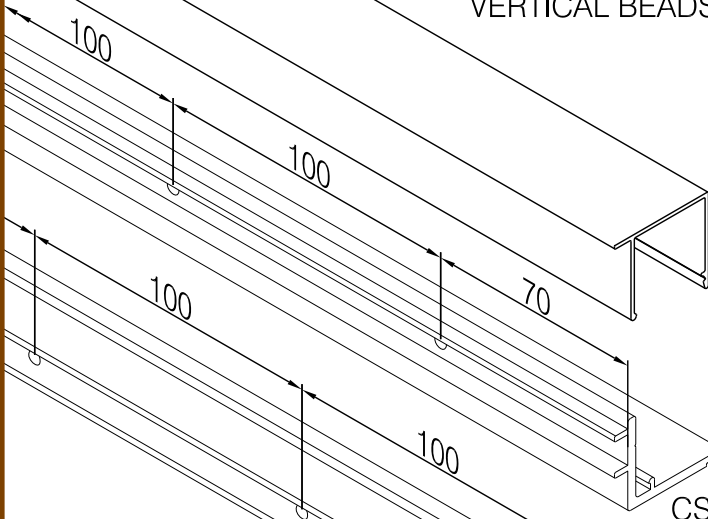


SCALE	NTS	© A4
DATE	01/06/11	
DRAWN	VM / CAD	
DRG. No.	C7Pi-CD-3.30 RO	



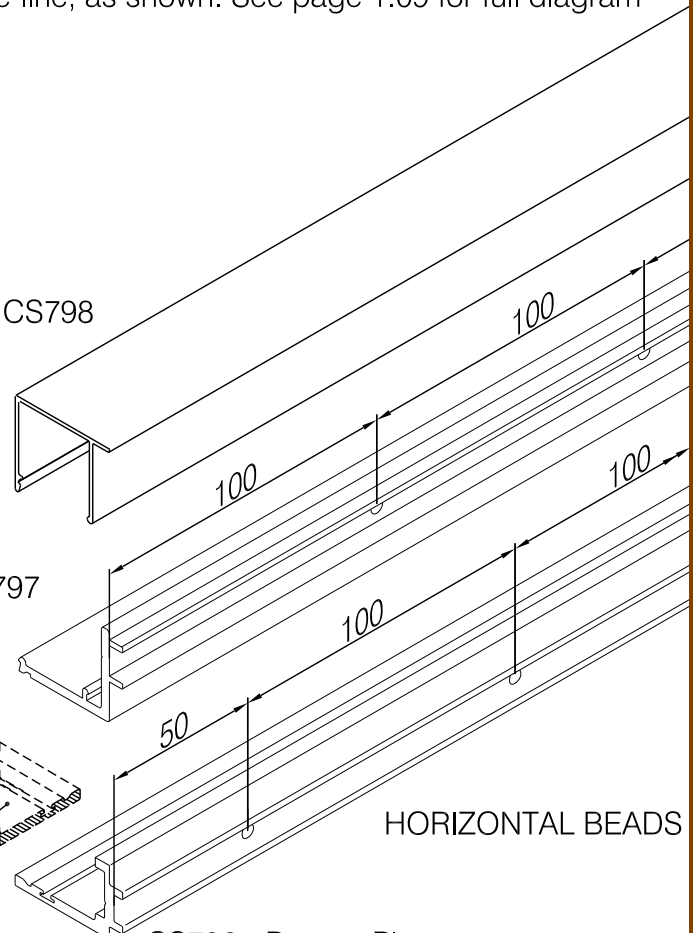
Offset the drill holes in CS796 & CS797 by 50mm from the edge of the profile then spaced every 100 mm towards the centre-line, as shown. See page 1.09 for full diagram

### VERTICAL BEADS



CS798

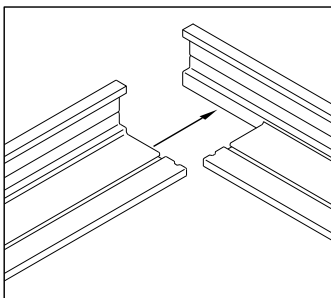
CS797



### HORIZONTAL BEADS

CS796 - Bottom Piece

CS796 - Side Piece



On CS796 side pieces notch out this piece only

Fillet this sharp edge for a very tight fit

Copyright & ownership of this drawing is vested in COMAR Architectural Aluminium Systems, whose prior written consent is required for its use, reproduction or publication to any third party. All other rights reserved. Subject to modifications without prior notification



SCALE	NTS	© A4
DATE	25/09/14	
DRAWN	VM/KP	
DRG. No.	C7Pi-CD-3.31 R1	

Panic exit device,  
Concealed Vertical Rod, 42" bar.

Aluminium PR-7085-AL  
Bronze PR-7085-DU  
Black PR-7085-BK  
Green PR-7085-GRN

Accessories.

Crash bar 48"

Silver CB-748-AL  
Black CB-748-BK

Extension rod with coupler  
(300mm extension) RE-712

Rim cylinder lock for 67mm Door Stile  
with 7085 Panic Exit Device.  
Supplied with 2 keys. (keyed to differ)

Aluminium RC-791-AL

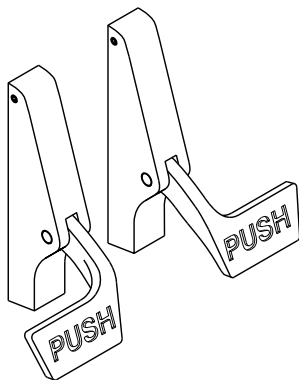
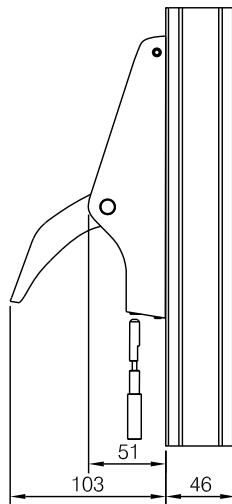
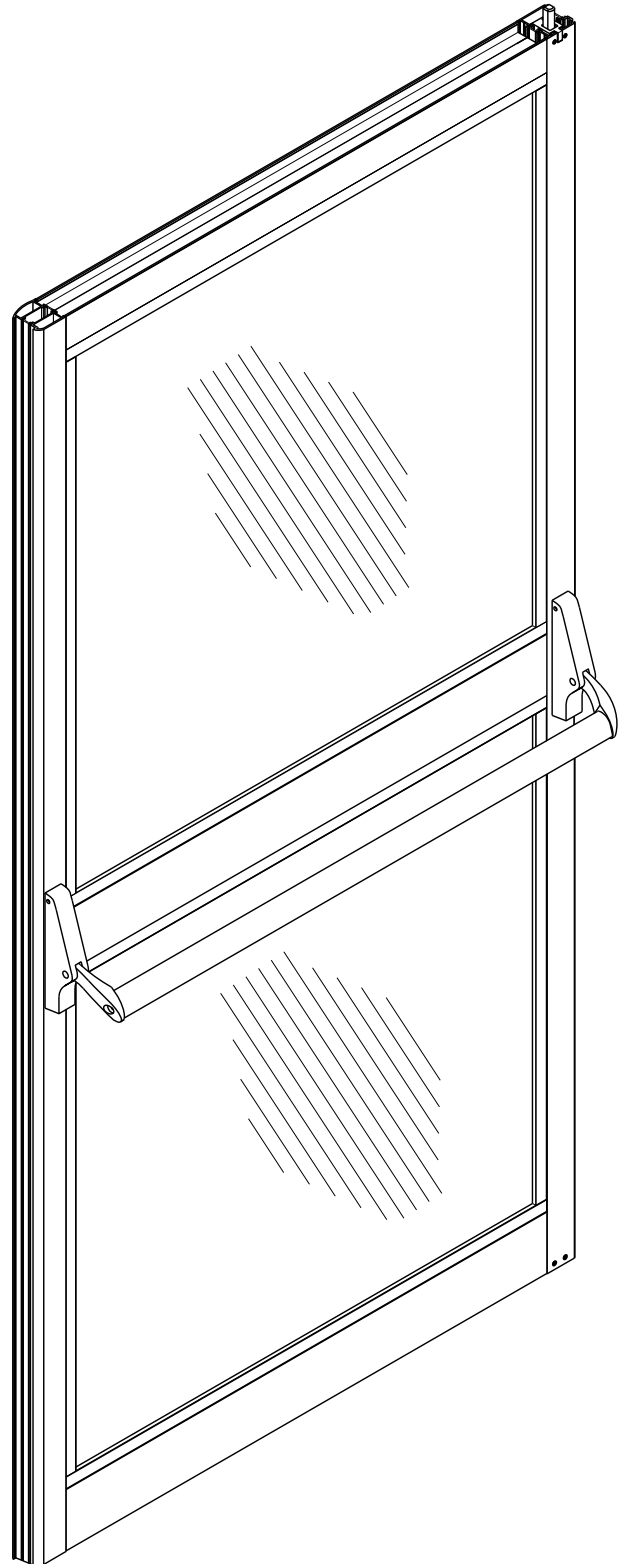
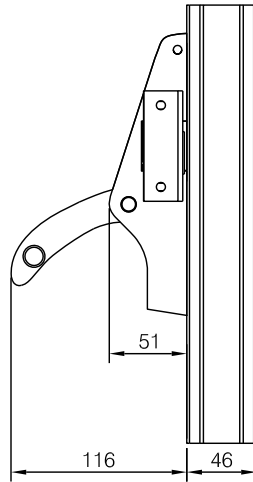
Rim cylinder lock for 67mm Door Stile with 7085  
Panic Exit Device  
Supplied with 2 keys. (keyed alike)

Aluminium RC-791-AL-S

Cylinder Mounting Pad with Locking Ring

Aluminium MP-792-AL

Exposed, knurled dogging pin  
Stainless steel DP-713

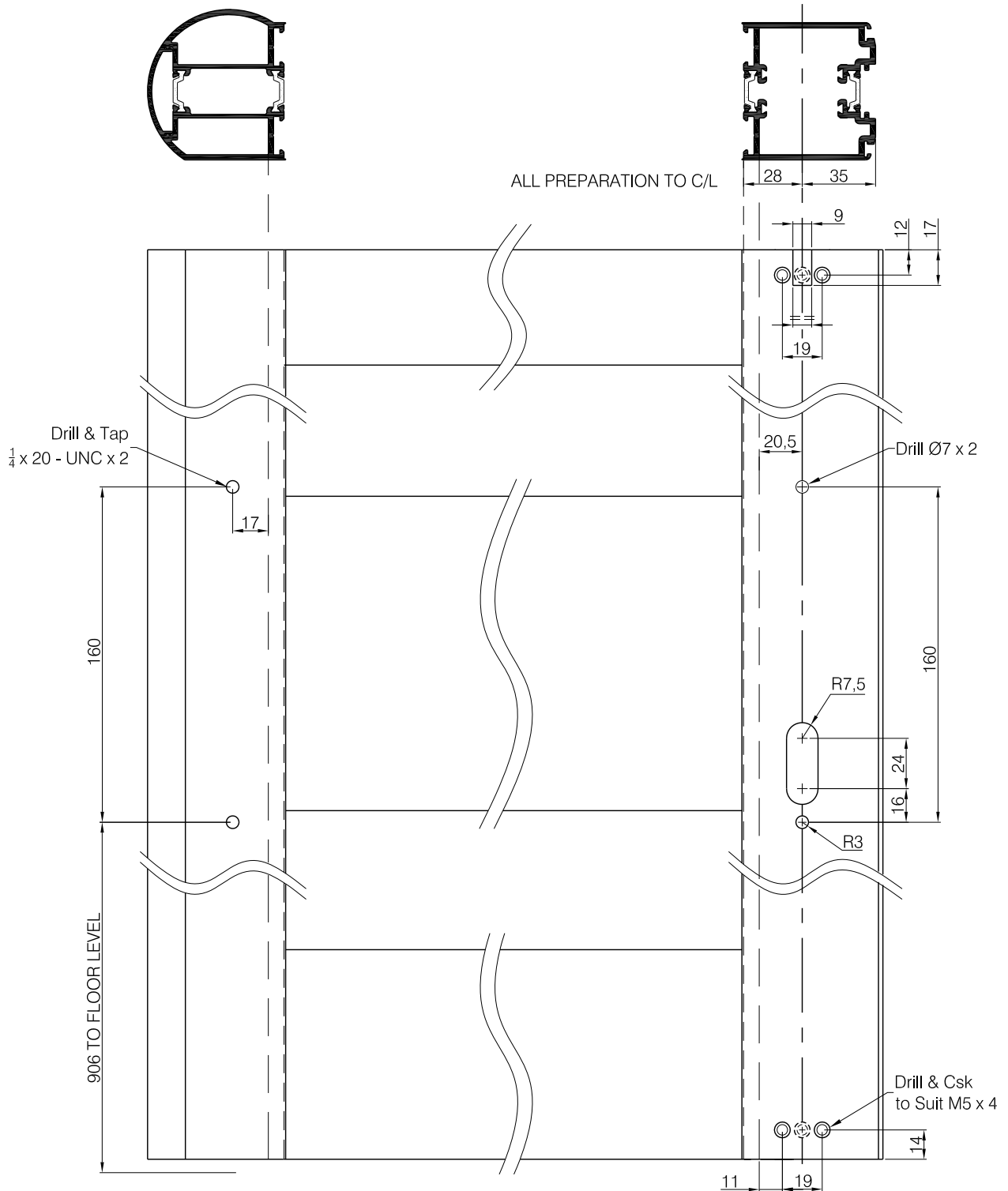


Alternative Paddle Handle  
Aluminium PR-7085-P-AL-RH (Right Handed)  
Aluminium PR-7085-P-AL-LH (Left Handed)

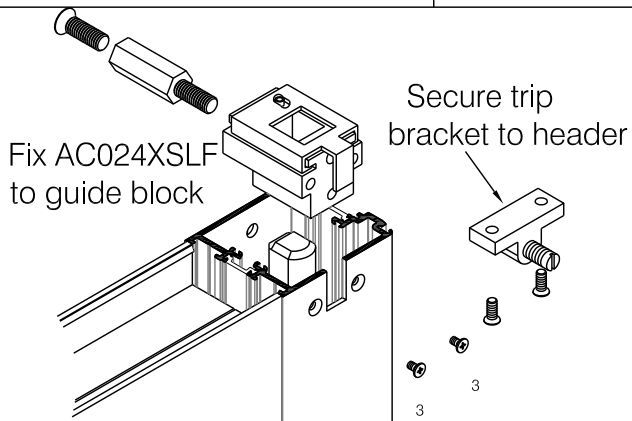
Copyright & ownership of this drawing is vested in COMAR Architectural Aluminium Systems, whose prior written consent is required for its use, reproduction or publication to any third party. All other rights reserved. Subject to modifications without prior notification



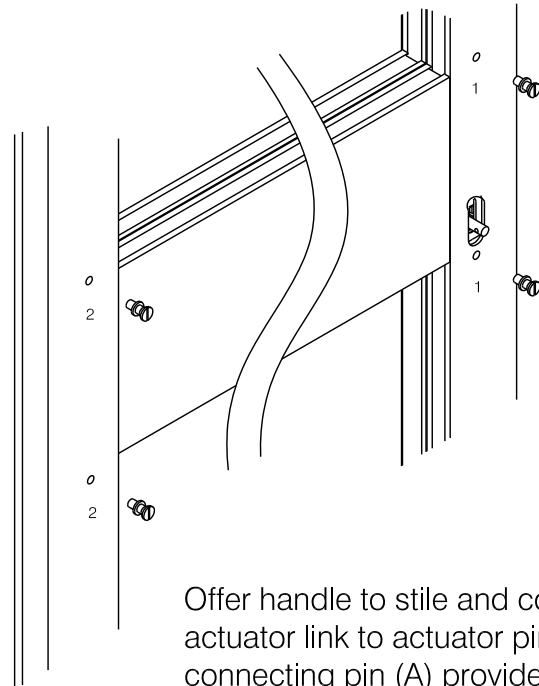
SCALE	N.T.S	© A4
DATE	25/09/14	
DRAWN	KP/CAD	
DRG. No.	C7Pi-CD-3.32 R0	



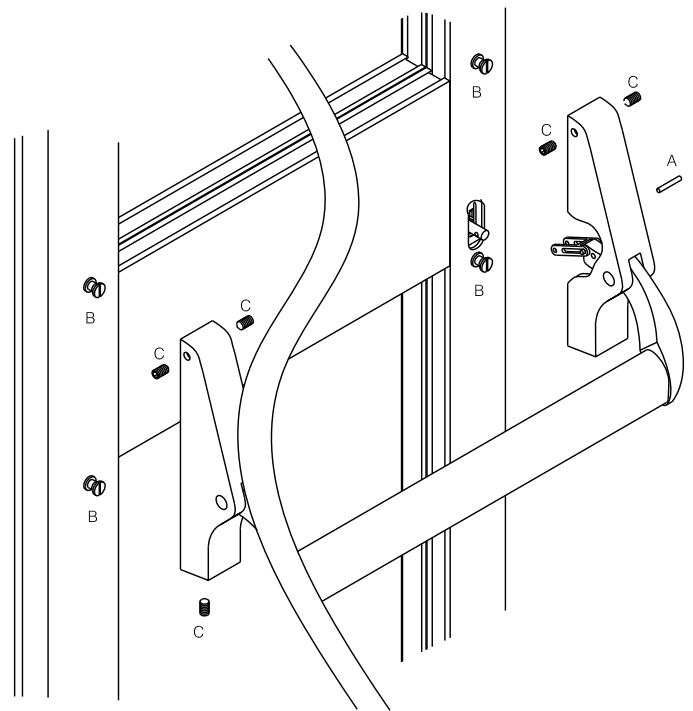
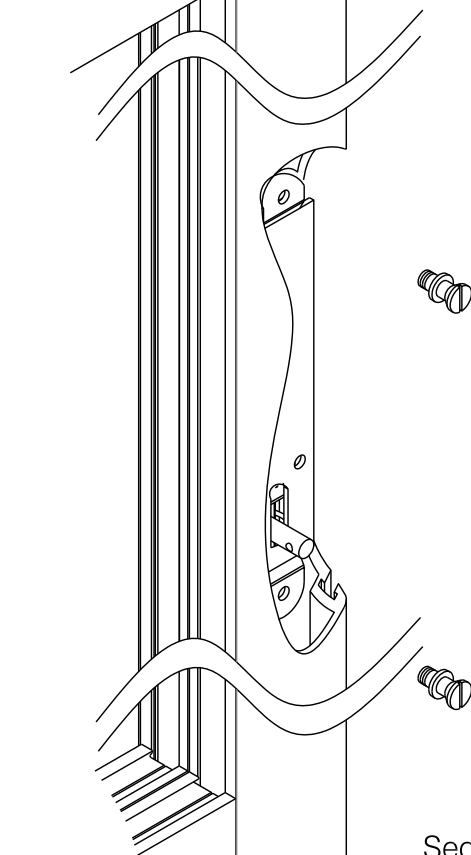
Copyright & ownership of this drawing is vested in COMAR Architectural Aluminium Systems, whose prior written consent is required for its use, reproduction or publication to any third party. All other rights reserved. Subject to modifications without prior notification



Secure fixing screws (1) thru stile into lock mechanism, and screws (2) into tapped holes in opposite stile.



Offer handle to stile and connect actuator link to actuator pin using connecting pin (A) provided. Position handle onto fixing screws (B) and secure using grub screws (C).



Copyright & ownership of this drawing is vested in COMAR Architectural Aluminium Systems, whose prior written consent is required for its use, reproduction or publication to any third party. All other rights reserved. Subject to modifications without prior notification.



PR 7000 Series Panic exit device,  
Concealed Vertical Rod, Flat Touch Bar.

Aluminium - 42" Wide PR-7100-AL  
Black - 42" Wide PR-7100-BK  
Aluminium - 48" Wide PR-7100-48-AL

Accessories.

Extension rod with coupler  
(300mm extension) RE-712

Rim cylinder lock for 67mm Door Stile  
with 7085 Panic Exit Device.  
Supplied with 2 keys. (keyed to differ)

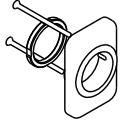
Aluminium RC-791-AL

Rim cylinder lock for 67mm Door Stile  
with 7085 Panic Exit Device  
Supplied with 2 keys. (keyed alike)

Aluminium RC-791-AL-S

Cylinder Mounting Pad with Locking Ring

Aluminium MP-792-AL

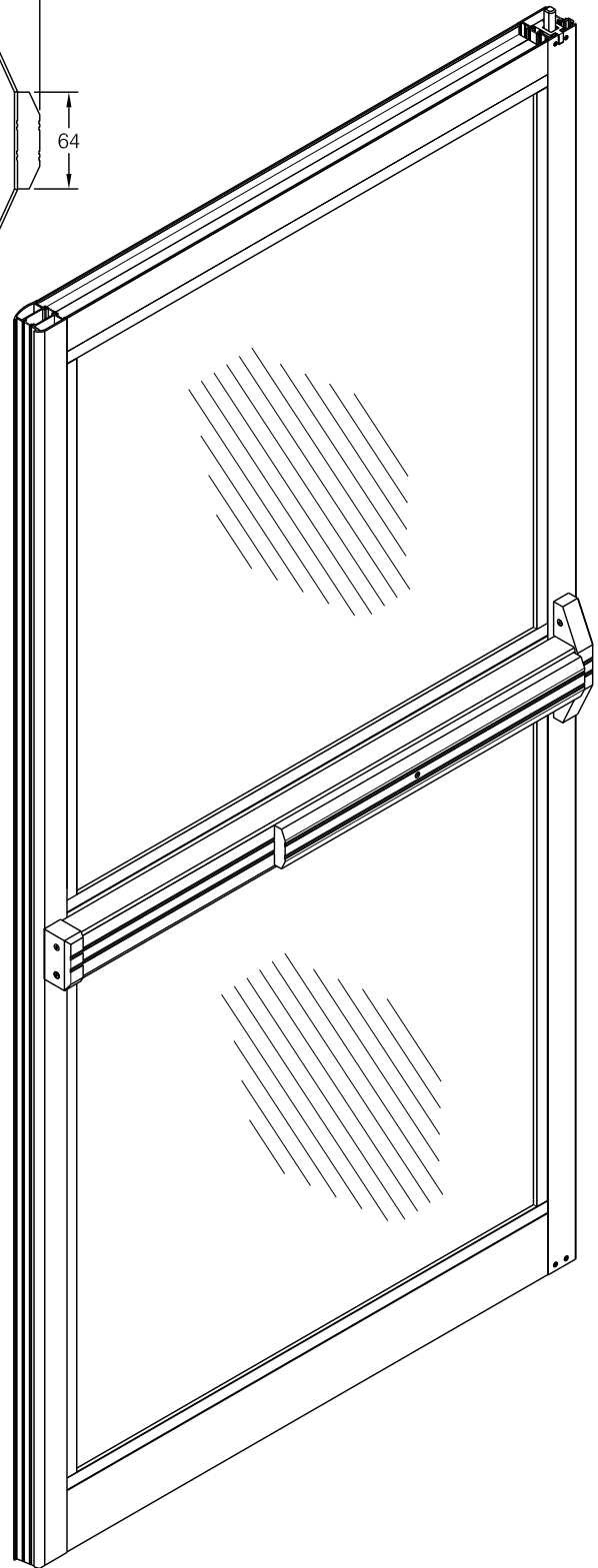
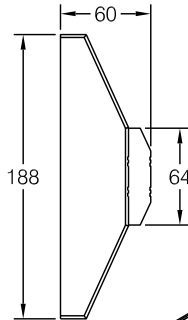
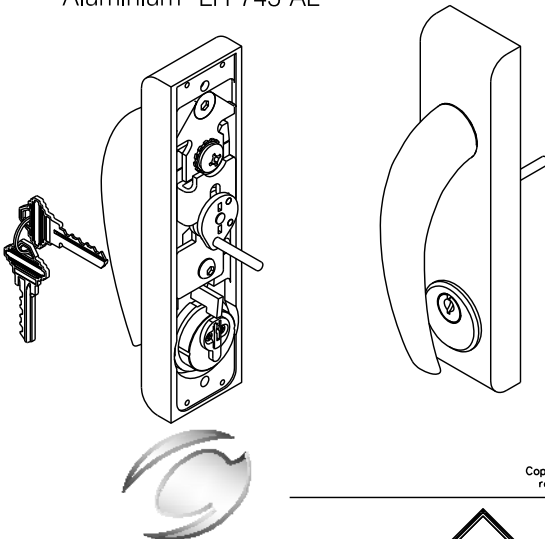


Exposed, knurled dogging pin  
Stainless steel DP-713



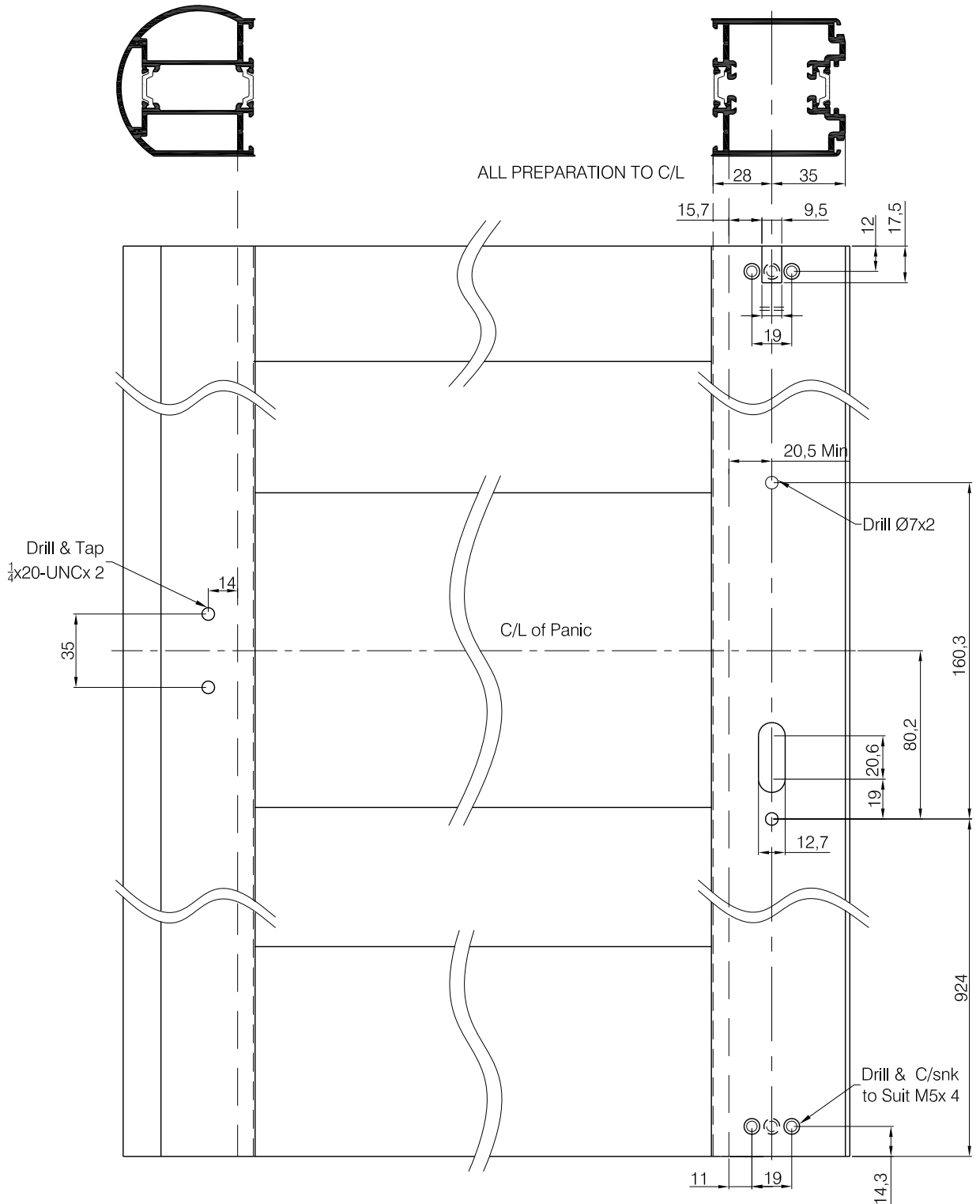
Locking Handle for 67mm Door Stile  
with 7100 Panic Exit Device.

Aluminium LH-745-AL

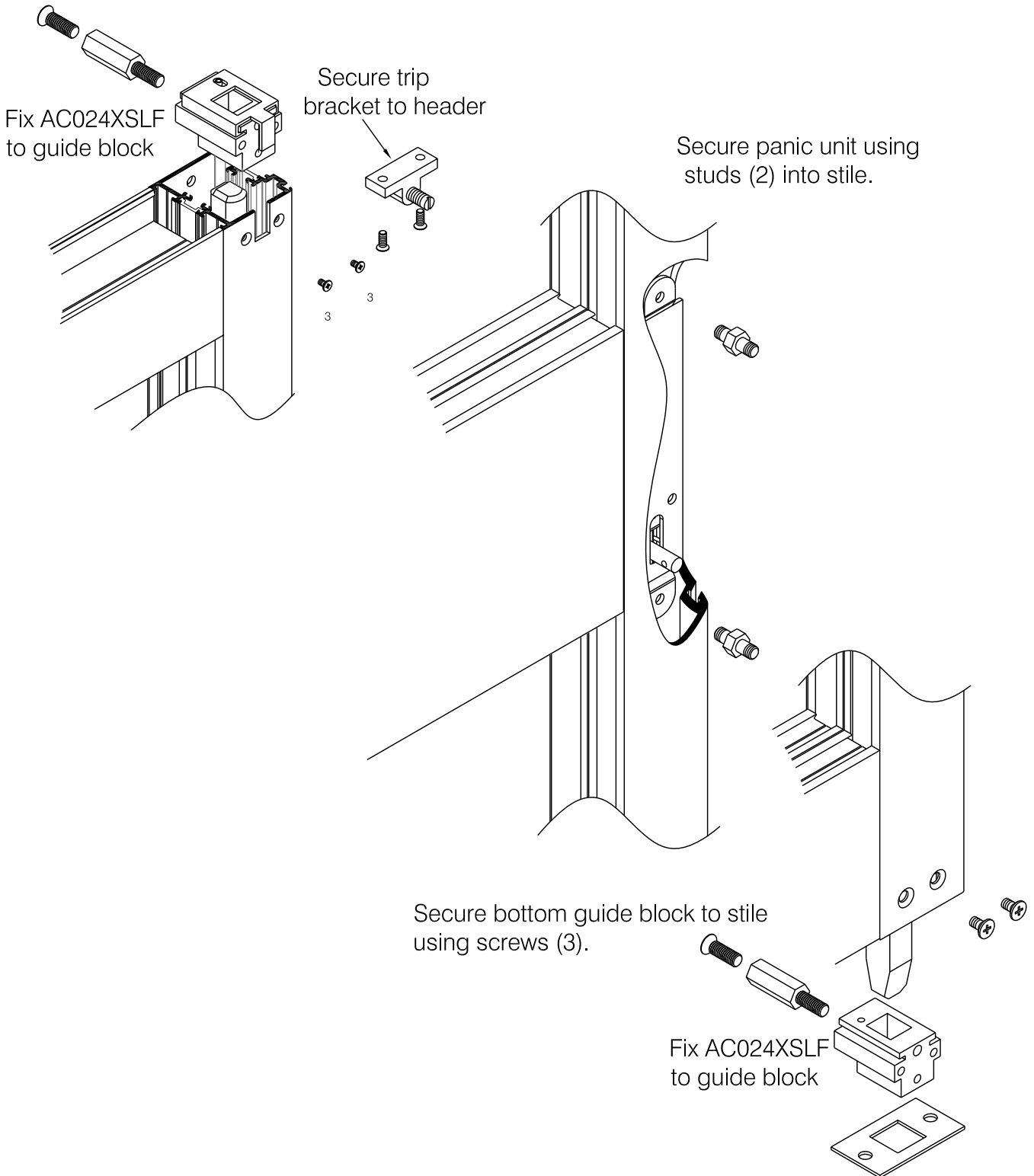


Copyright & ownership of this drawing is vested in COMAR Architectural Aluminium Systems, whose prior written consent is required for its use, reproduction or publication to any third party. All other rights reserved. Subject to modifications without prior notification

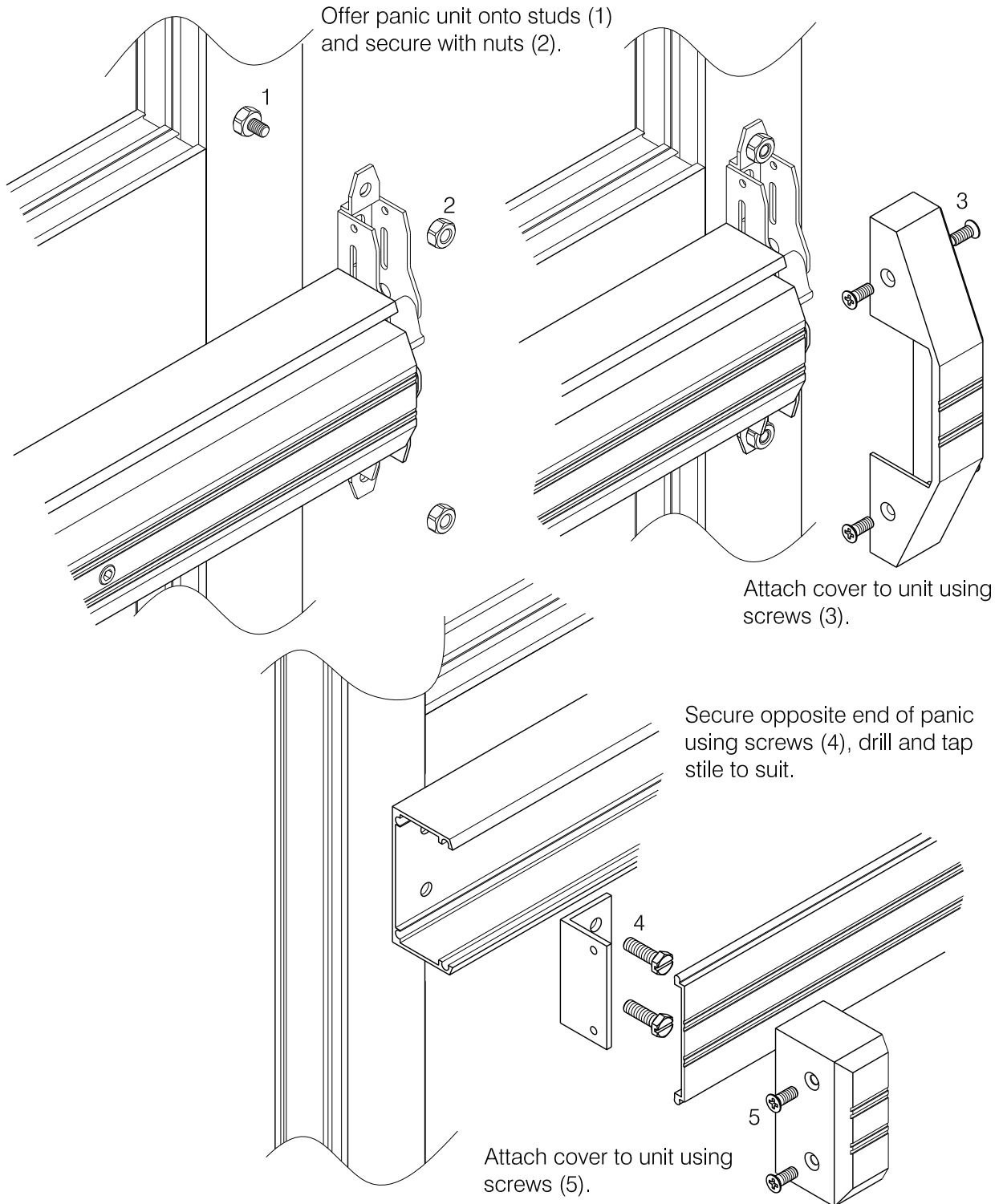




Copyright & ownership of this drawing is vested in COMAR Architectural Aluminium Systems, whose prior written consent is required for its use, reproduction or publication to any third party. All other rights reserved. Subject to modifications without prior notification.



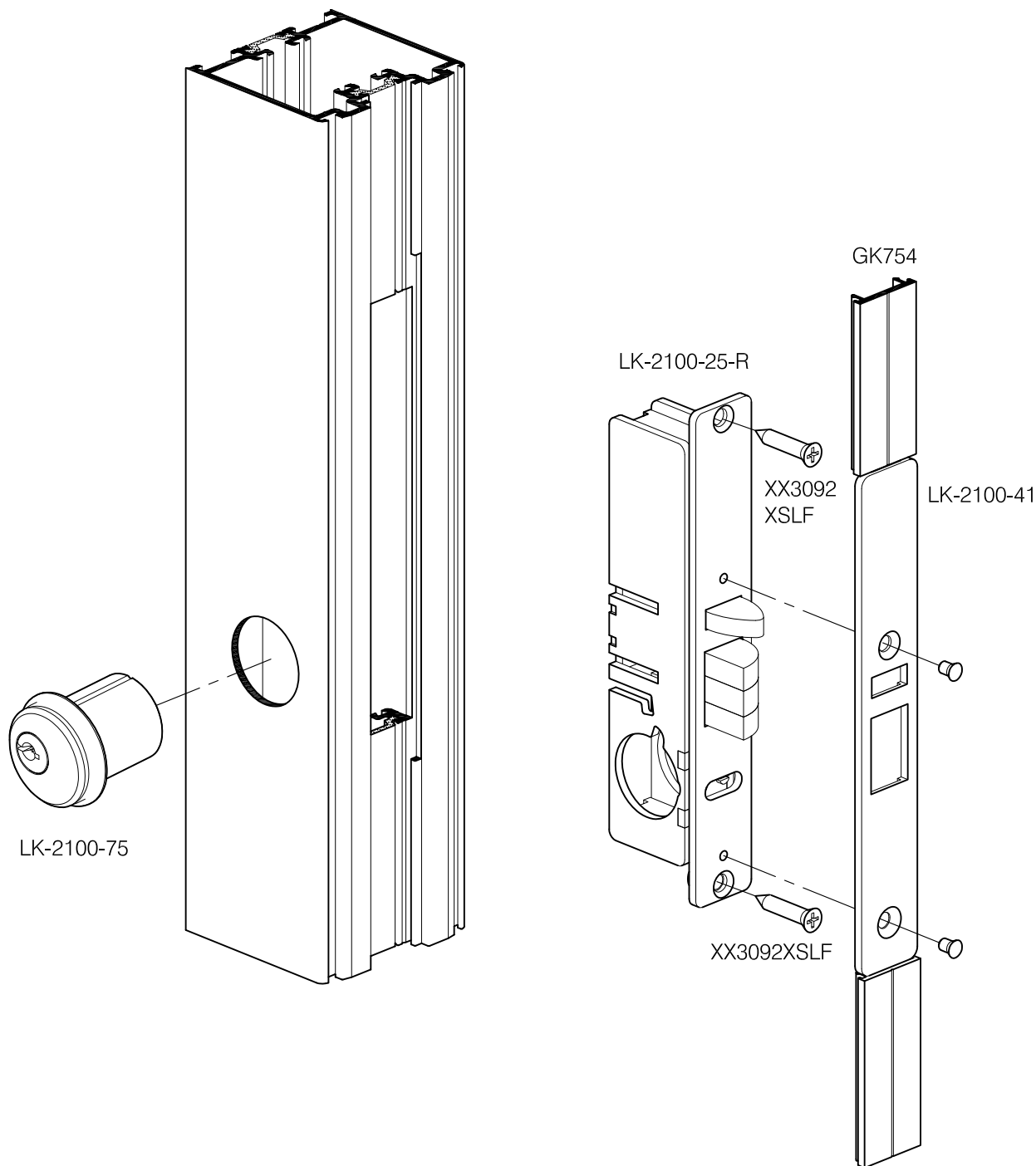
Copyright & ownership of this drawing is vested in COMAR Architectural Aluminium Systems, whose prior written consent is required for its use, reproduction or publication to any third party. All other rights reserved. Subject to modifications without prior notification



Copyright & ownership of this drawing is vested in COMAR Architectural Aluminium Systems, whose prior written consent is required for its use, reproduction or publication to any third party. All other rights reserved. Subject to modifications without prior notification



SCALE	N.T.S	© A4
DATE	25/09/14	
DRAWN	KP/CAD	
DRG. No.	C7Pi-CD-3.38	RO



Copyright & ownership of this drawing is vested in COMAR Architectural Aluminium Systems, whose prior written consent is required for its use, reproduction or publication to any third party. All other rights reserved. Subject to modifications without prior notification.

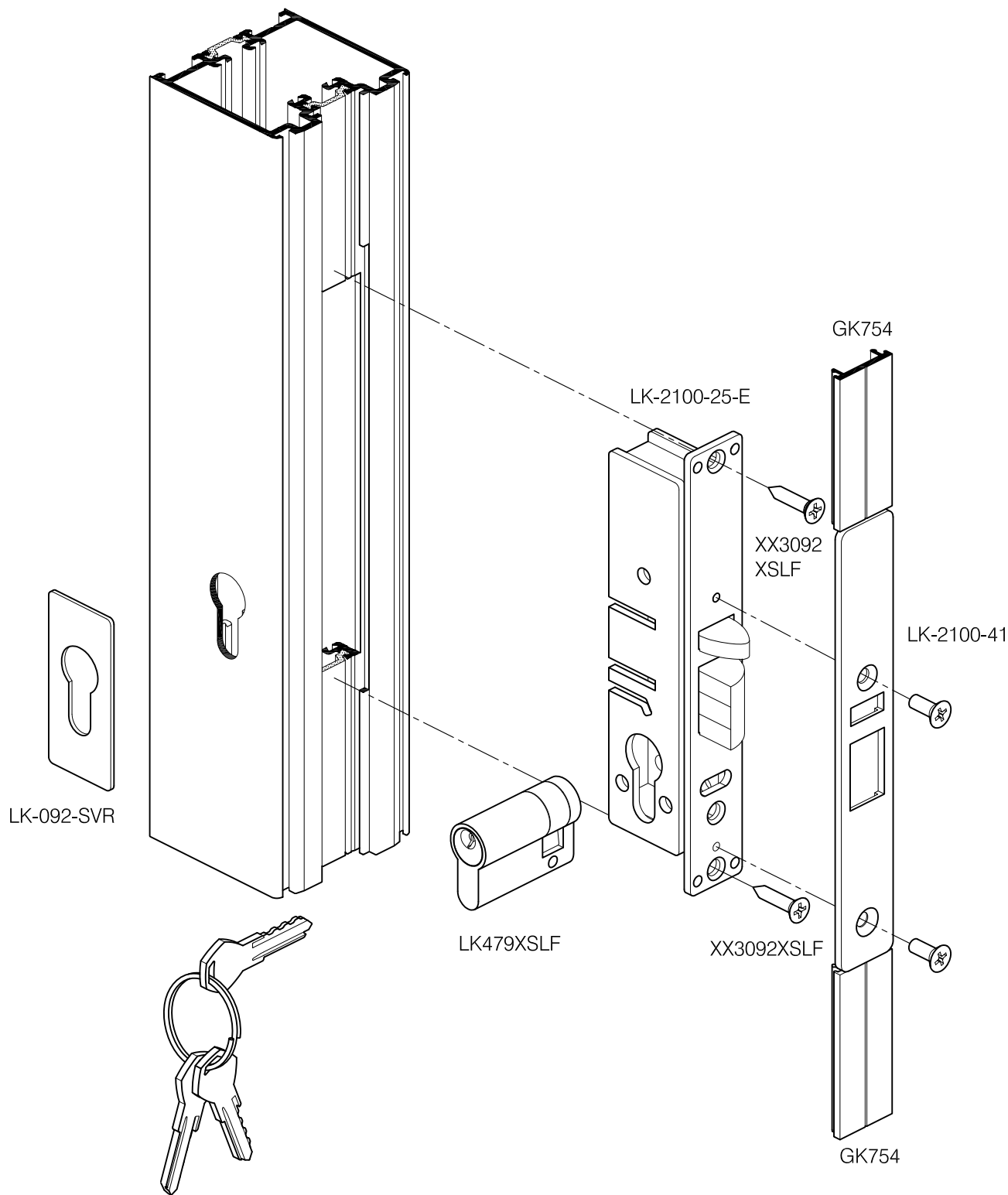


**comar**  
ARCHITECTURAL ALUMINIUM SYSTEMS

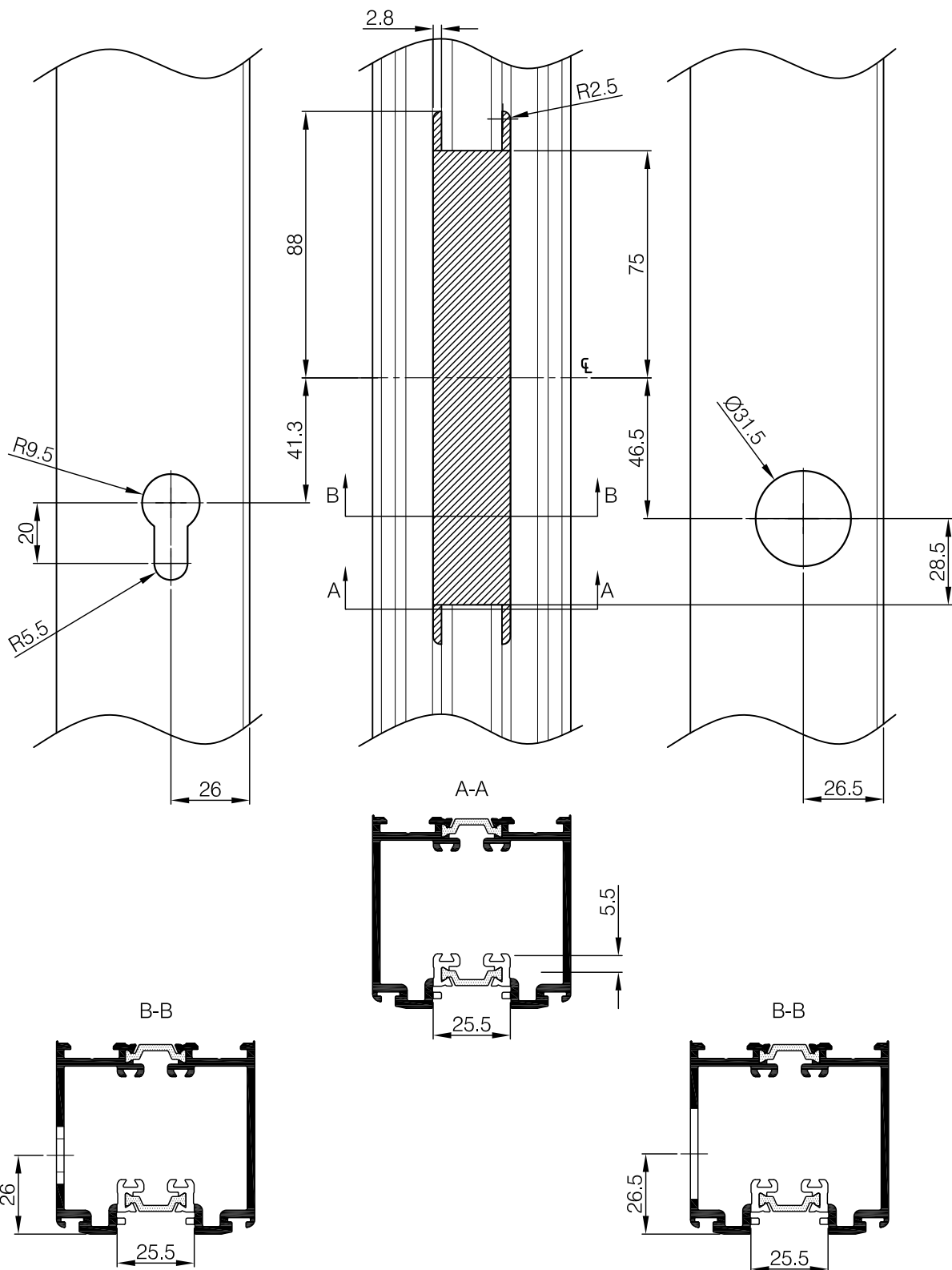


THE PARKSIDE GROUP LTD  
UNIT 5 ° THE WILLOW CENTRE  
17 WILLOW LANE ° MITCHAM  
SURREY ° CR4 4NX  
Tel: 020-8685 9685 Fax: 020-8687 1142  
Email: technical@parksidegrp.co.uk  
Web Site: <http://www.comar-alu.co.uk>

SCALE	NTS	© A4
DATE	14/03/2016	
DRAWN	KP/CAD	
DRG. No.	C7-Pi-CD 3.39	



Copyright & ownership of this drawing is vested in COMAR Architectural Aluminium Systems, whose prior written consent is required for its use, reproduction or publication to any third party. All other rights reserved. Subject to modifications without prior notification.



Copyright & ownership of this drawing is vested in COMAR Architectural Aluminium Systems, whose prior written consent is required for its use, reproduction or publication to any third party. All other rights reserved. Subject to modifications without prior notification.

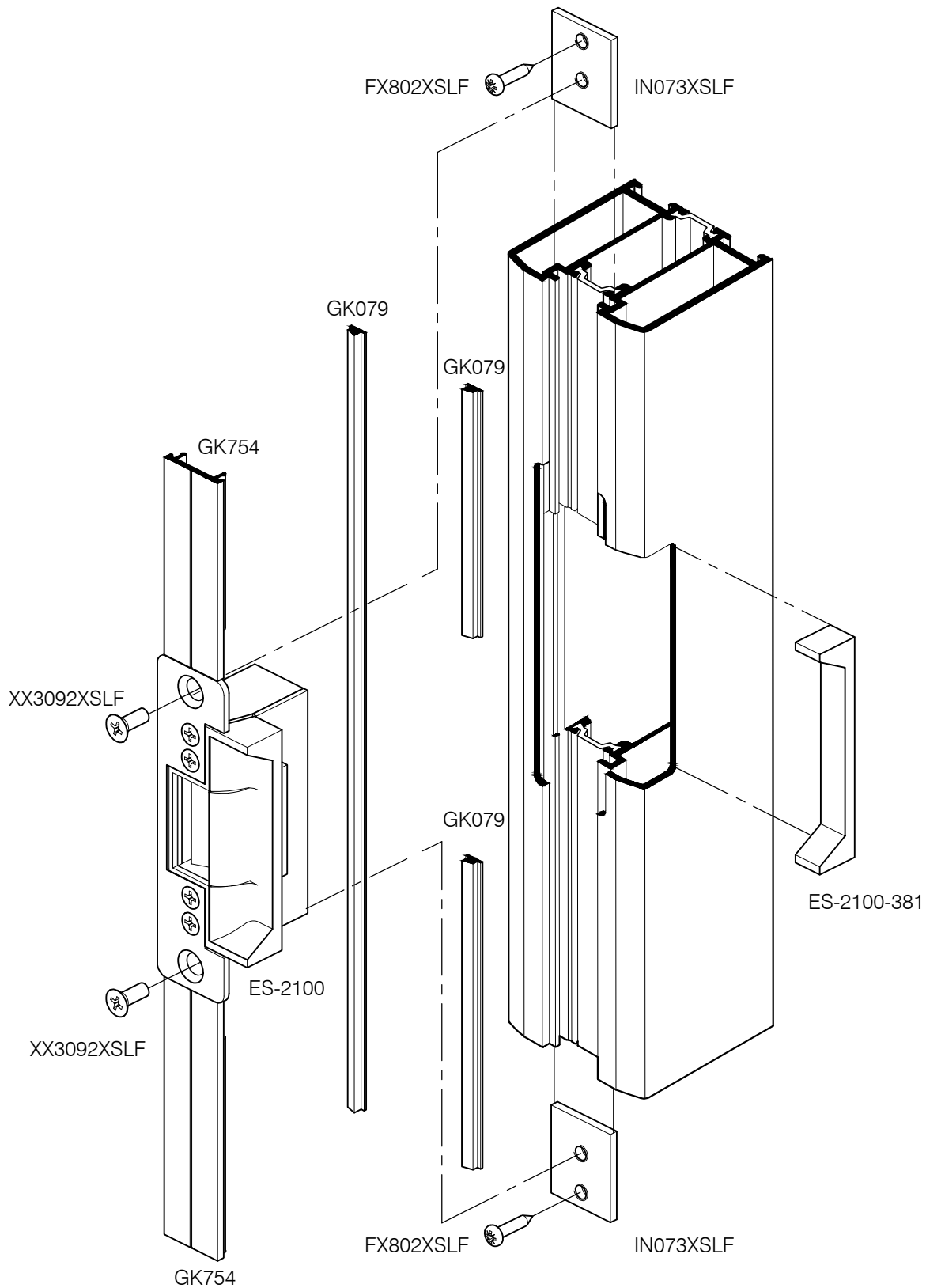


**comar**  
ARCHITECTURAL ALUMINIUM SYSTEMS



THE PARKSIDE GROUP LTD  
UNIT 5 ° THE WILLOW CENTRE  
17 WILLOW LANE ° MITCHAM  
SURREY ° CR4 4NX  
Tel: 020-8685 9685 Fax: 020-8687 1142  
Email: technical@parksidegrp.co.uk  
Web Site: <http://www.comar-alu.co.uk>

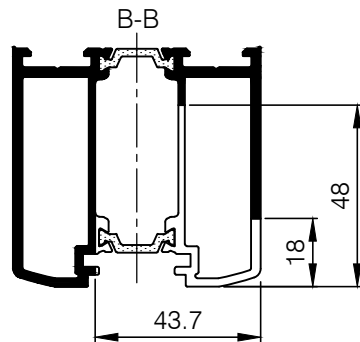
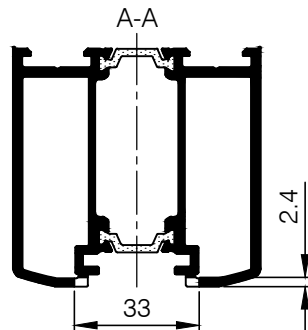
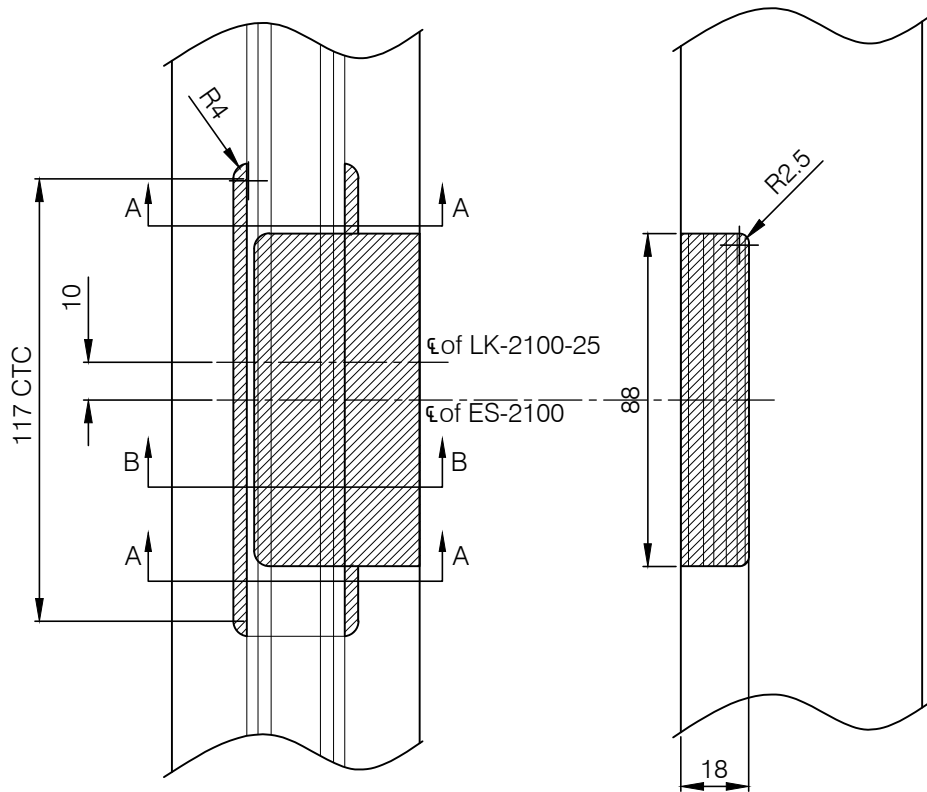
SCALE	NTS	© A4
DATE	14/03/2016	
DRAWN	KP/CAD	
DRG. No.	C7-Pi-CD	3.41



Copyright & ownership of this drawing is vested in COMAR Architectural Aluminium Systems, whose prior written consent is required for its use, reproduction or publication to any third party. All other rights reserved. Subject to modifications without prior notification.

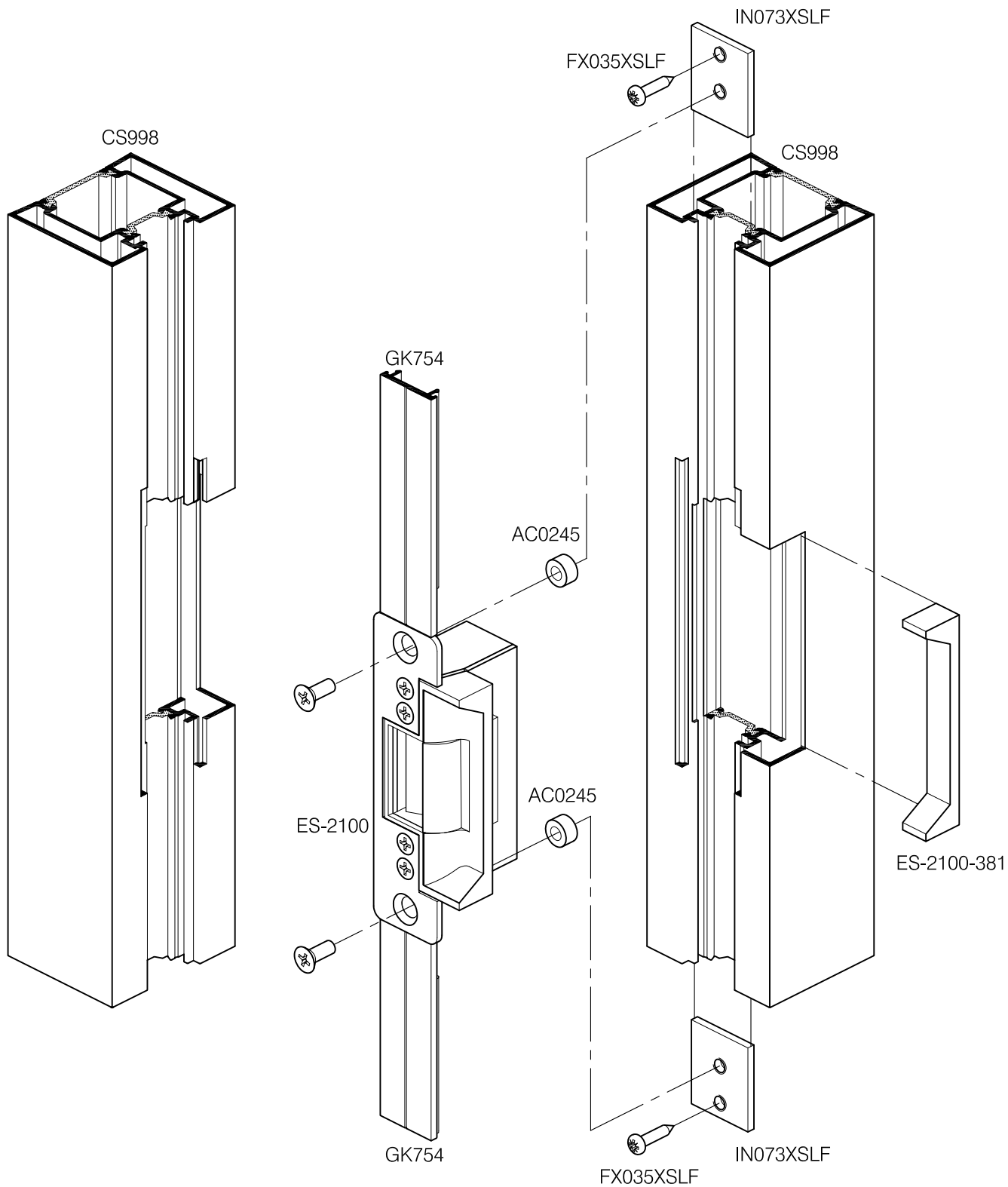


SCALE	NTS	© A4
DATE	01/12/2016	
DRAWN	KP/NRA	
DRG. No.	C7-Pi-CD 3.42 R1	



Copyright & ownership of this drawing is vested in COMAR Architectural Aluminium Systems, whose prior written consent is required for its use, reproduction or publication to any third party. All other rights reserved. Subject to modifications without prior notification.





Copyright & ownership of this drawing is vested in COMAR Architectural Aluminium Systems, whose prior written consent is required for its use, reproduction or publication to any third party. All other rights reserved. Subject to modifications without prior notification.

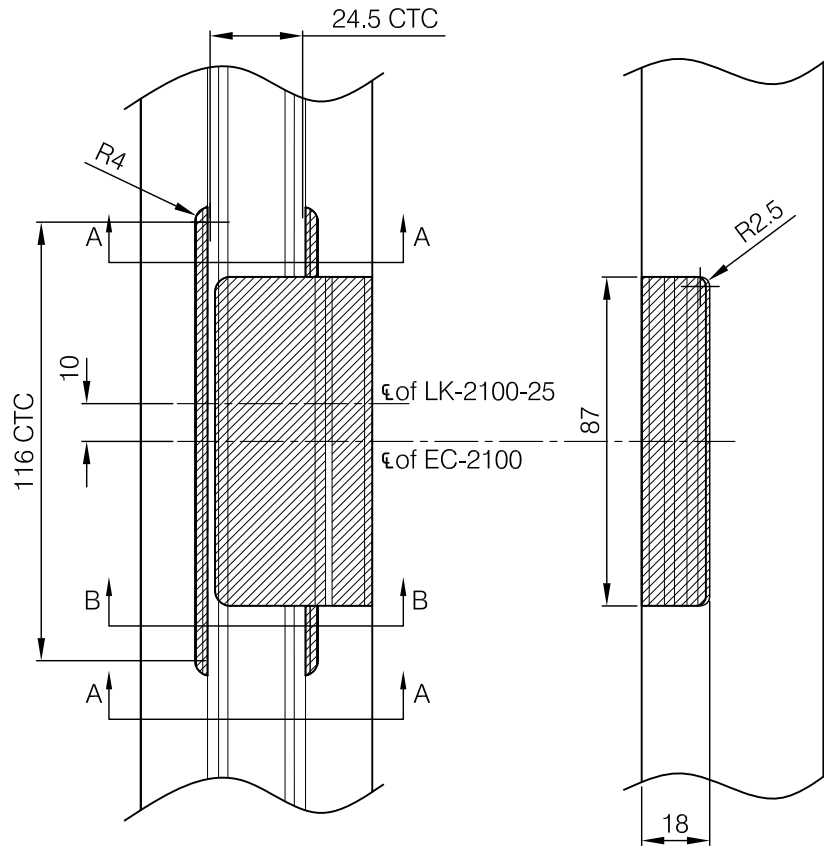


**comar**  
ARCHITECTURAL ALUMINIUM SYSTEMS

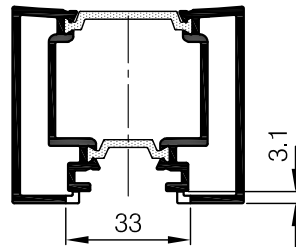


THE PARKSIDE GROUP LTD  
UNIT 5 ° THE WILLOW CENTRE  
17 WILLOW LANE ° MITCHAM  
SURREY ° CR4 4NX  
Tel: 020-8685 9685 Fax: 020-8687 1142  
Email: technical@parksidegrp.co.uk  
Web Site: <http://www.comar-alu.co.uk>

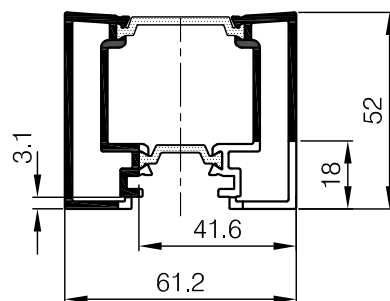
SCALE	NTS	© A4
DATE	14/03/2016	
DRAWN	KP/CAD	
DRG. No.	C7-Pi-CD 3.44	



A-A



B-B



Copyright & ownership of this drawing is vested in COMAR Architectural Aluminium Systems, whose prior written consent is required for its use, reproduction or publication to any third party. All other rights reserved. Subject to modifications without prior notification.

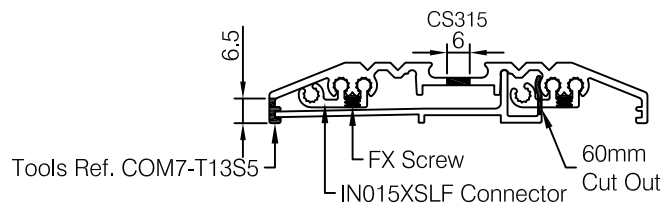
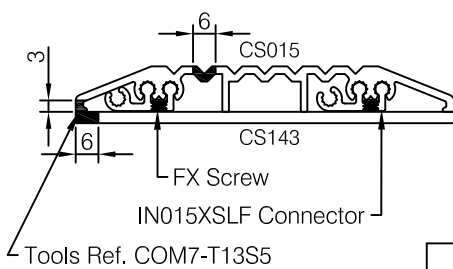
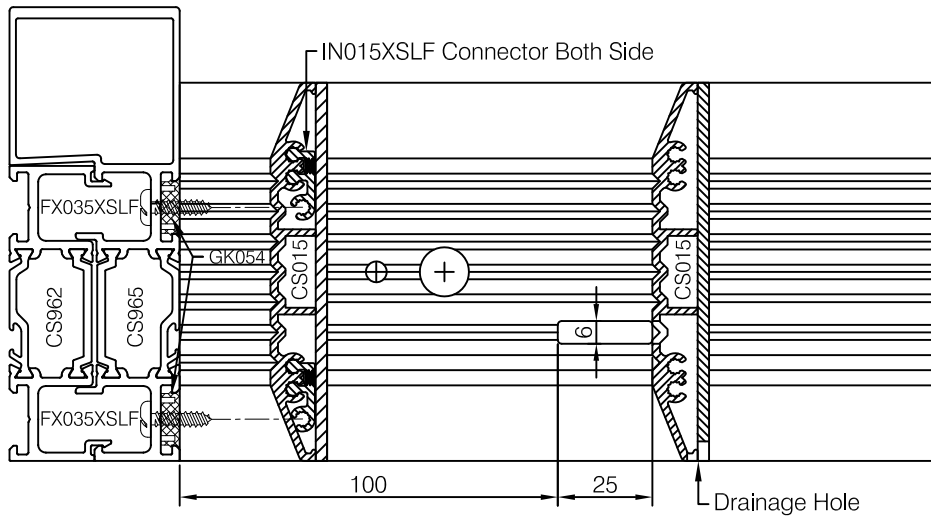
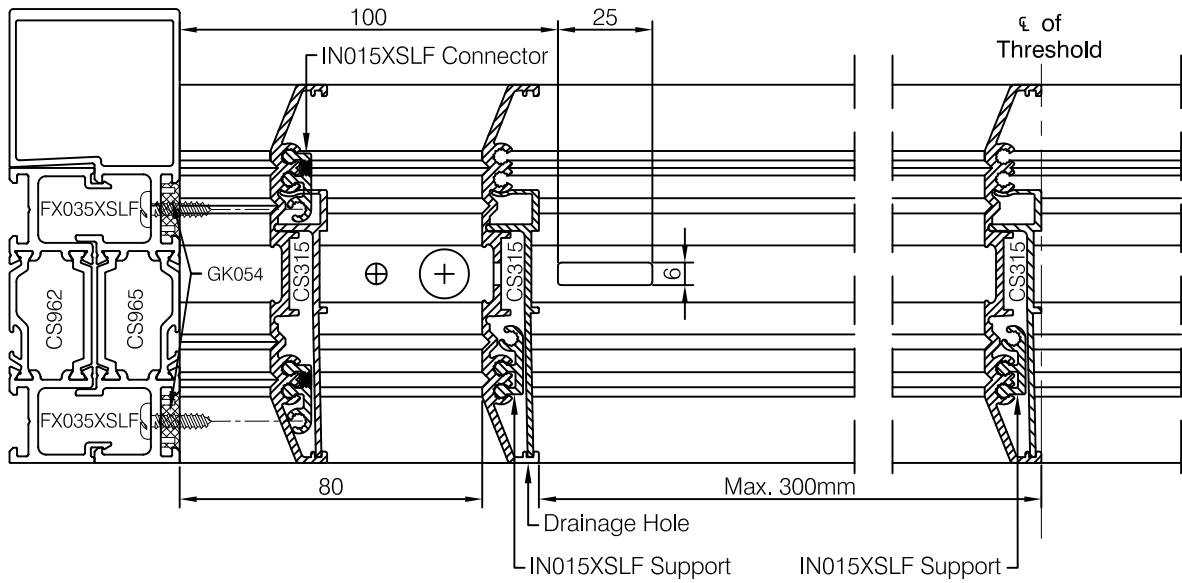


**comar**  
ARCHITECTURAL ALUMINIUM SYSTEMS



THE PARKSIDE GROUP LTD  
UNIT 5 ° THE WILLOW CENTRE  
17 WILLOW LANE ° MITCHAM  
SURREY ° CR4 4NX  
Tel: 020-8685 9685 Fax: 020-8687 1142  
Email: technical@parksidegrp.co.uk  
Web Site: <http://www.comar-alu.co.uk>

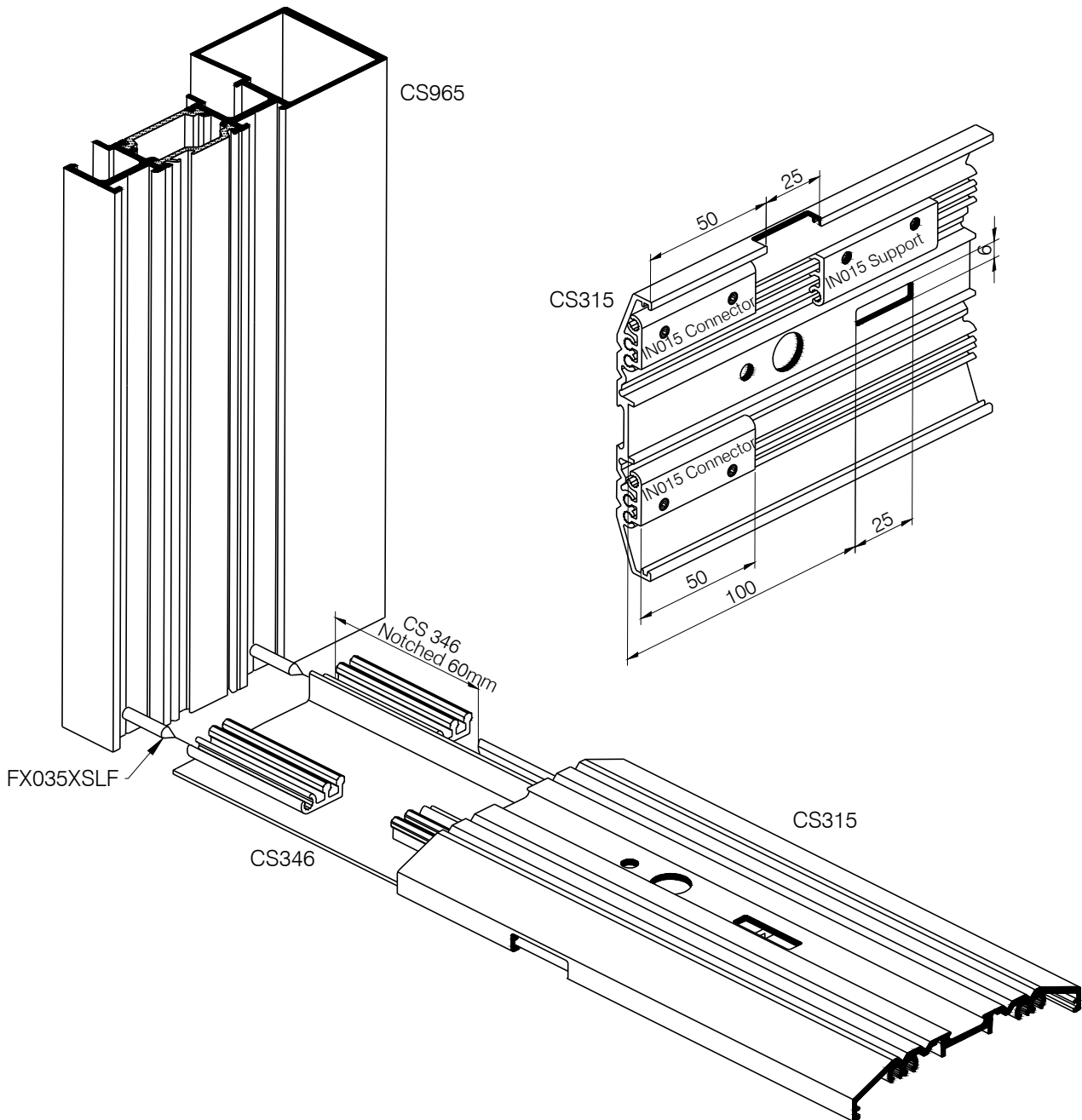
SCALE	NTS	© A4
DATE	14/03/2016	
DRAWN	KP/CAD	
DRG. No.	C7-Pi-CD 3.45	



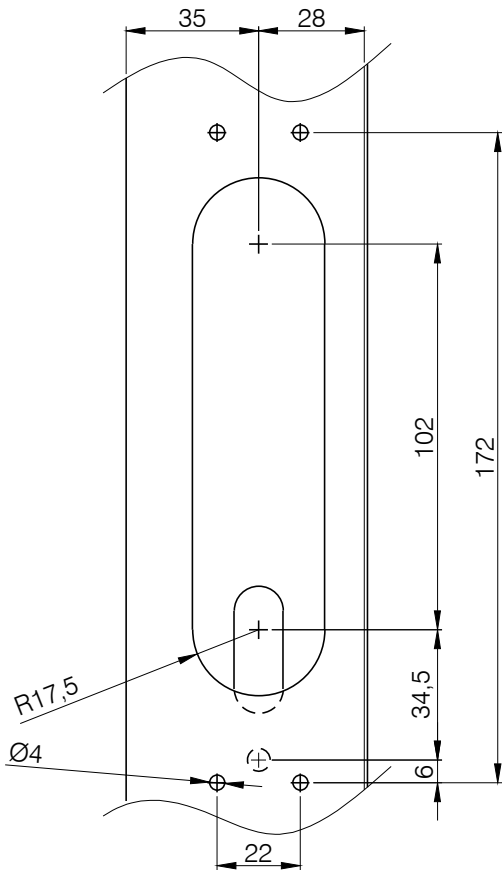
25x6.5 Drainage Slot Set  
at 50mm from Each End  
Approx. 500mm CTRS

Copyright & ownership of this drawing is vested in COMAR Architectural Aluminium Systems, whose prior written consent is required for its use, reproduction or publication to any third party. All other rights reserved. Subject to modifications without prior notification

SCALE	2:1	© A4
DATE	28/03/2017	
DRAWN	KP / NIL	
DRG. No.	C7Pi-CD-3.46 R1	



SCALE	2:1	© A4
DATE	01/12/16	
DRAWN	KP / NRA	
DRG. No.	C7Pi-CD-3.47	

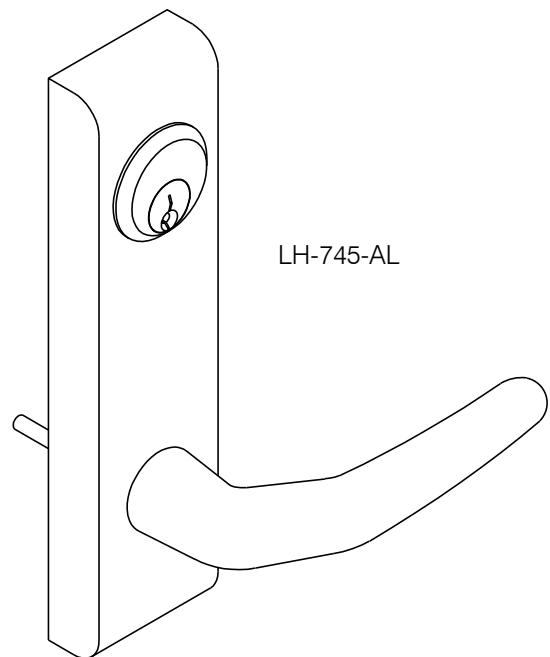
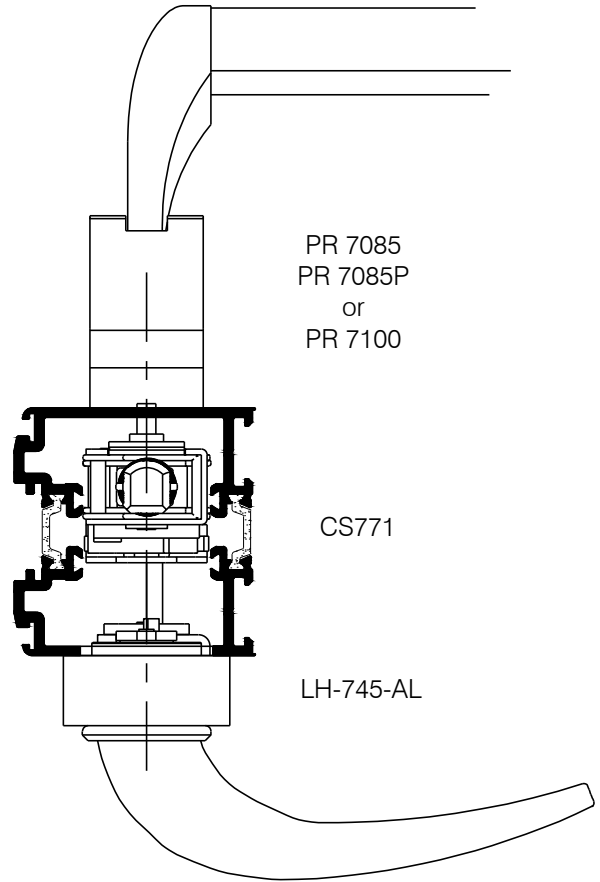


Cutting Prep to fit to outer face. Dashed lines indicate panic exit position (34.5 & 6)

Key Controlled Outside sprung lever handle for use with PR7085, PR7085P, and PR7100 concealed rod Panic Devices.

Uses Axim screw in Mortice cylinder with MS type CAM .

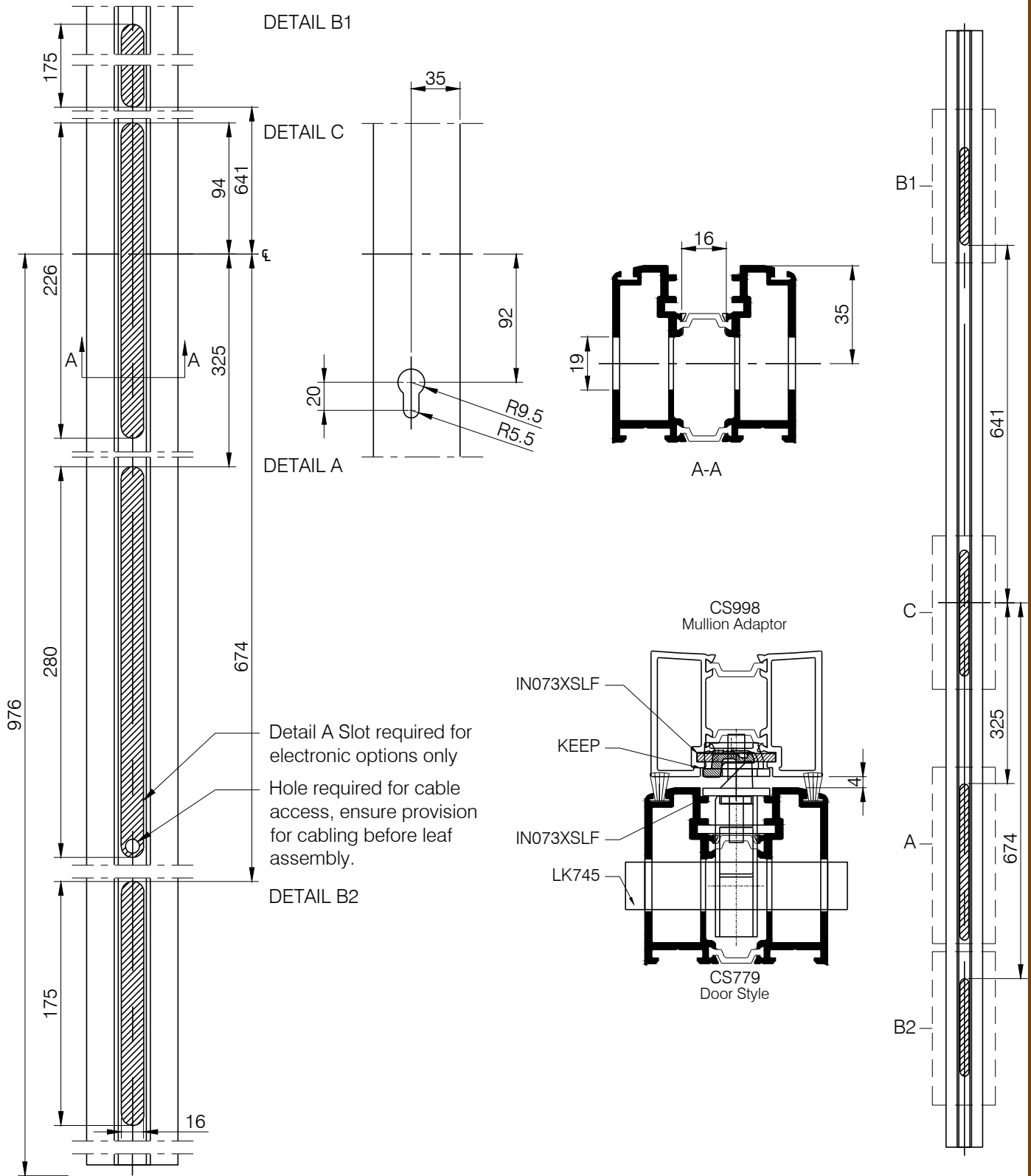
Non handed. (Field reversible).



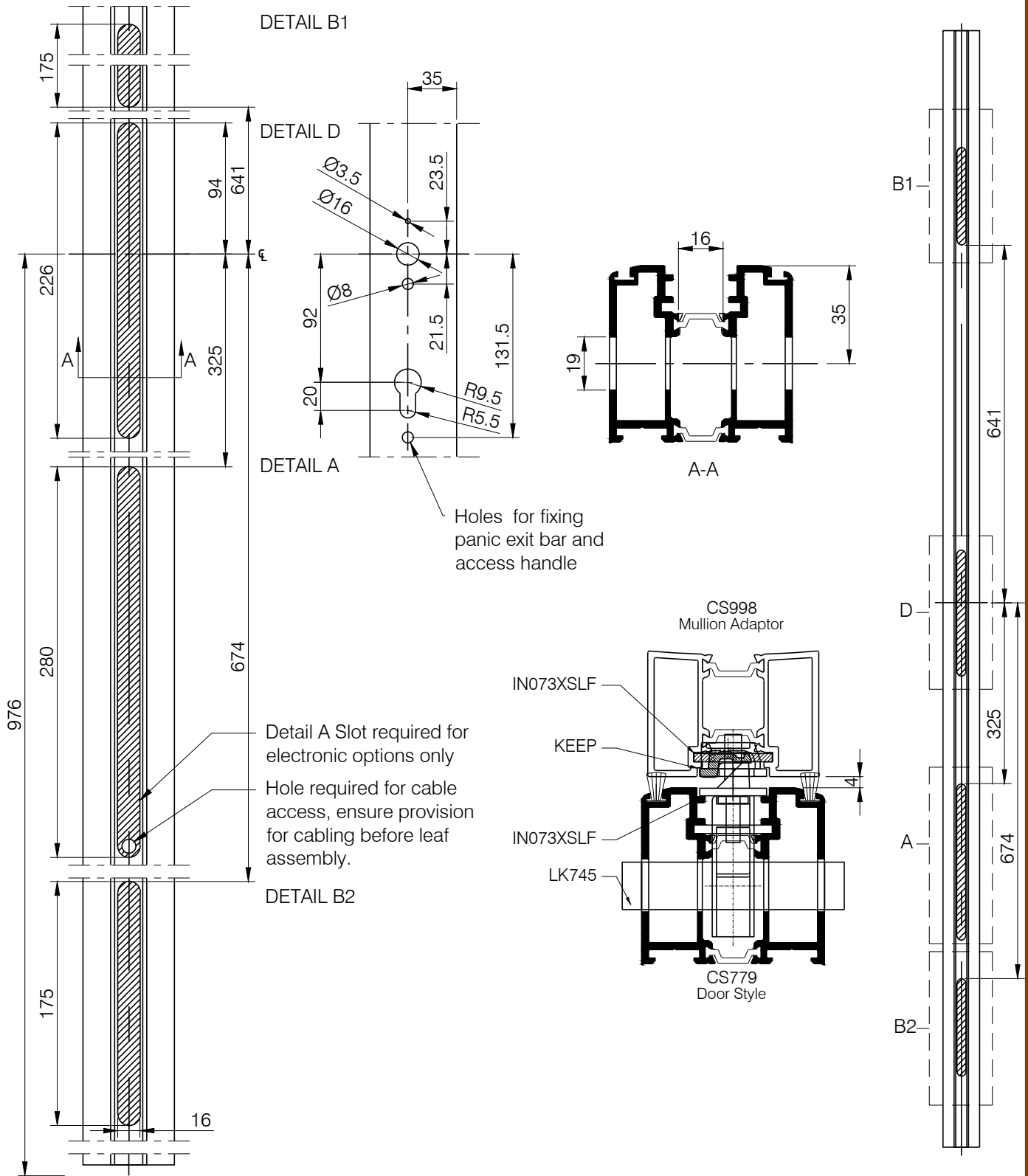
Copyright & ownership of this drawing is vested in COMAR Architectural Aluminium Systems, whose prior written consent is required for its use, reproduction or publication to any third party. All other rights reserved. Subject to modifications without prior notification



SCALE	N.T.S.	© A4
DATE	01/12/16	
DRAWN	NRA	
DRG. No.	C7Pi-CD-3.48	RO

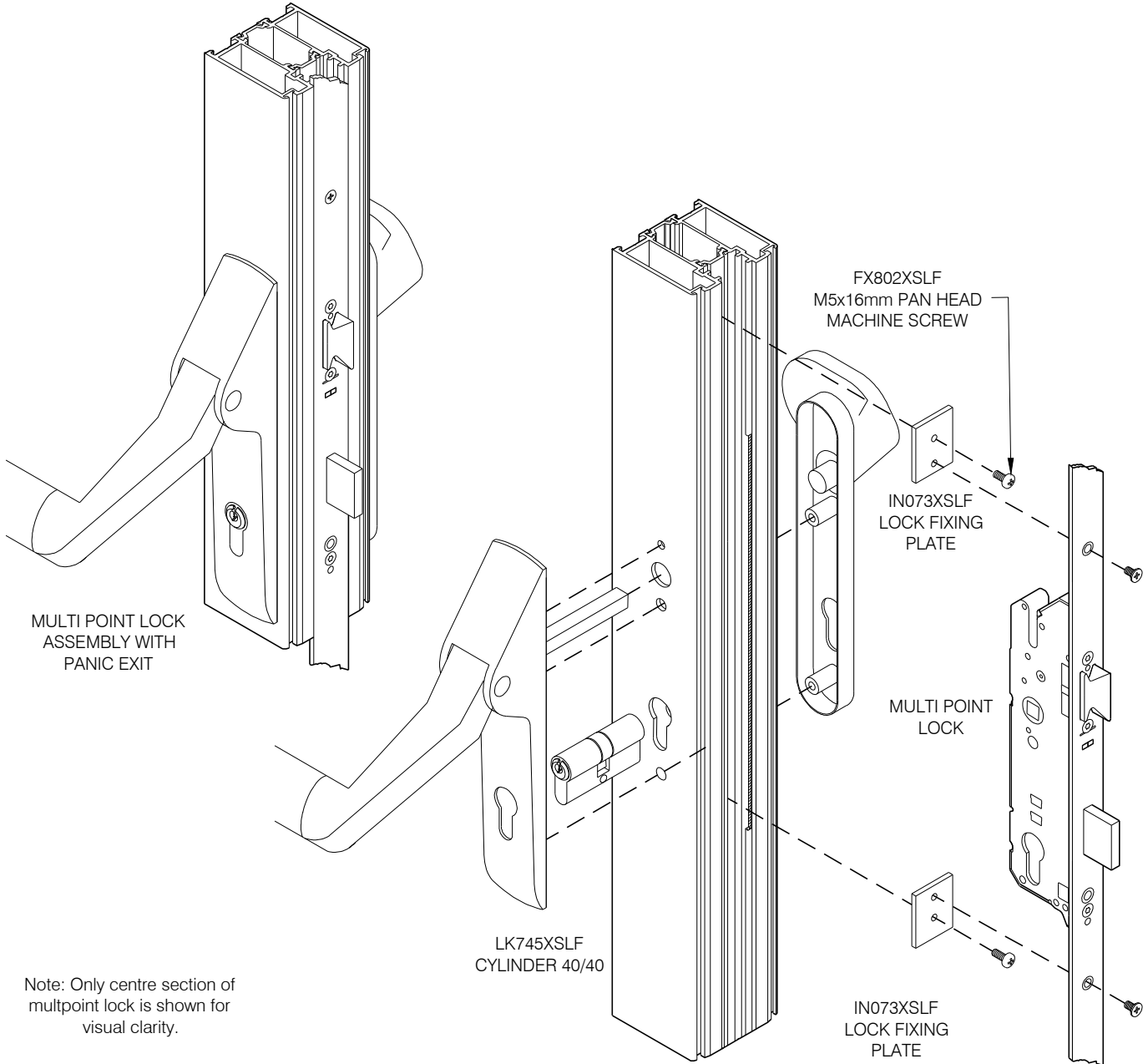


Copyright & ownership of this drawing is vested in COMAR Architectural Aluminium Systems, whose prior written consent is required for its use, reproduction or publication to any third party. All other rights reserved. Subject to modifications without prior notification



Copyright & ownership of this drawing is vested in COMAR Architectural Aluminium Systems, whose prior written consent is required for its use, reproduction or publication to any third party. All other rights reserved. Subject to modifications without prior notification

CS779  
DOOR STILE

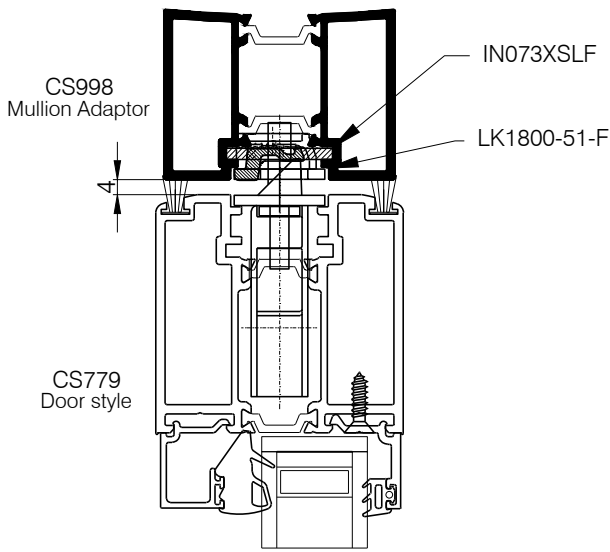


Note: Only centre section of multipoint lock is shown for visual clarity.

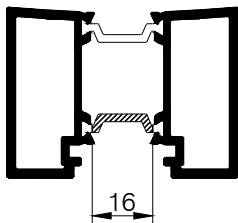
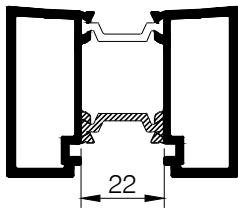
Copyright & ownership of this drawing is vested in COMAR Architectural Aluminium Systems, whose prior written consent is required for its use, reproduction or publication to any third party. All other rights reserved. Subject to modifications without prior notification

SCALE	NTS	© A4
DATE	22/03/2017	
DRAWN	NRA/KP	
DRG. No.	C7Pi-CD-3.51 R0	

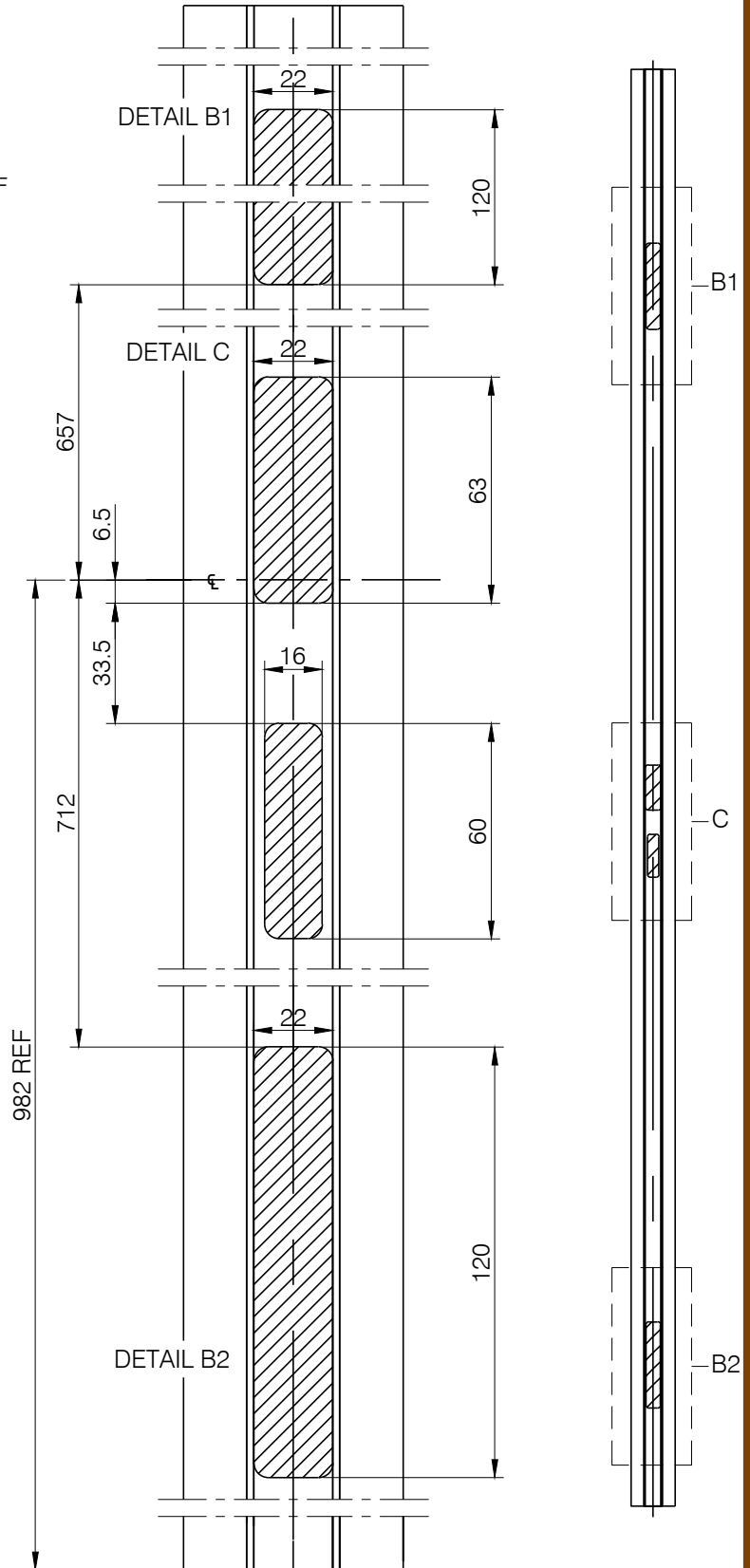
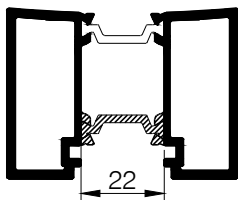




DETAIL C



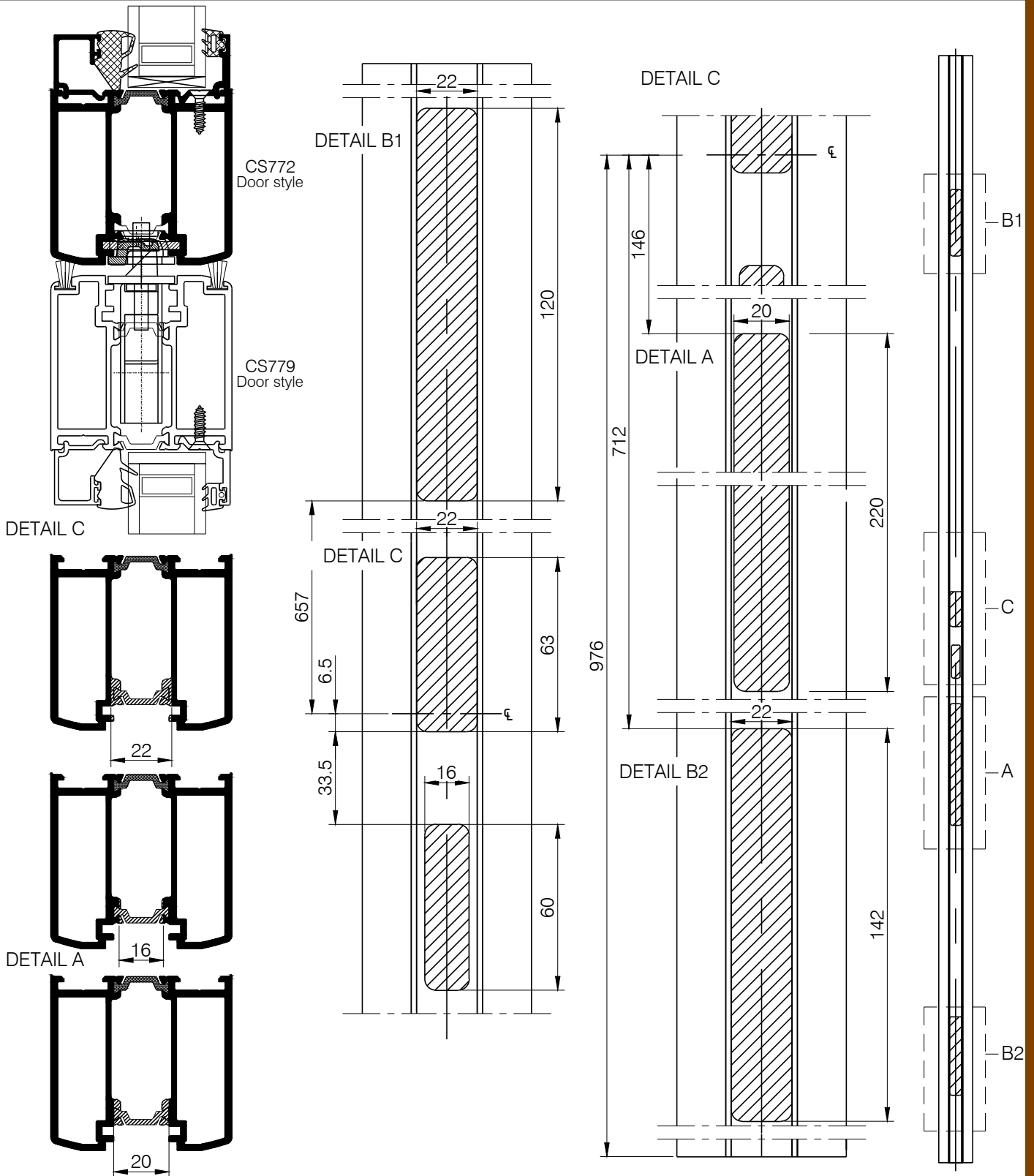
DETAIL B2



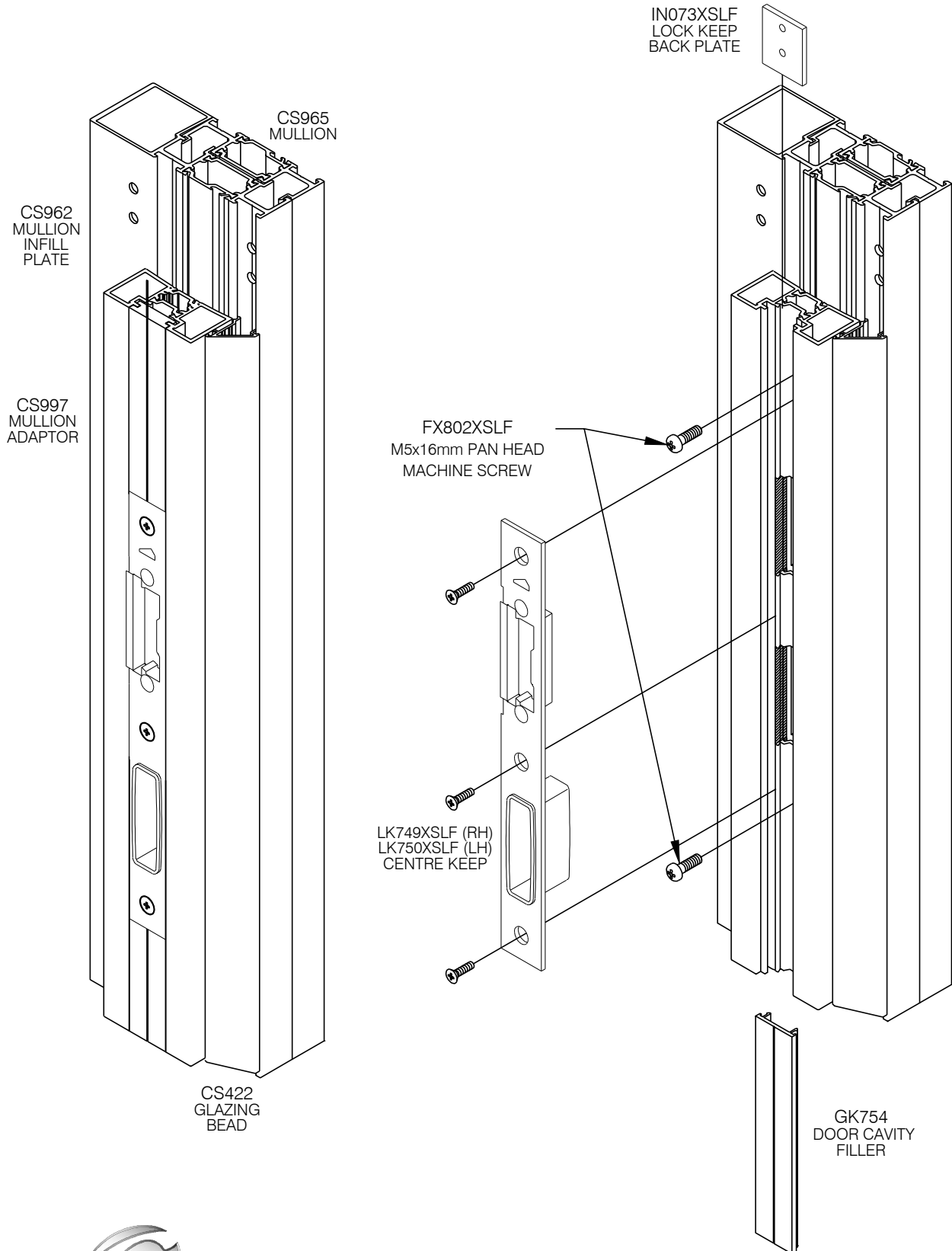
Copyright & ownership of this drawing is vested in COMAR Architectural Aluminium Systems, whose prior written consent is required for its use, reproduction or publication to any third party. All other rights reserved. Subject to modifications without prior notification



SCALE	1:2	© A4
DATE	22/03/17	
DRAWN	NRA/KP	
DRG. No.	C7Pi-CD-3.52 R0	



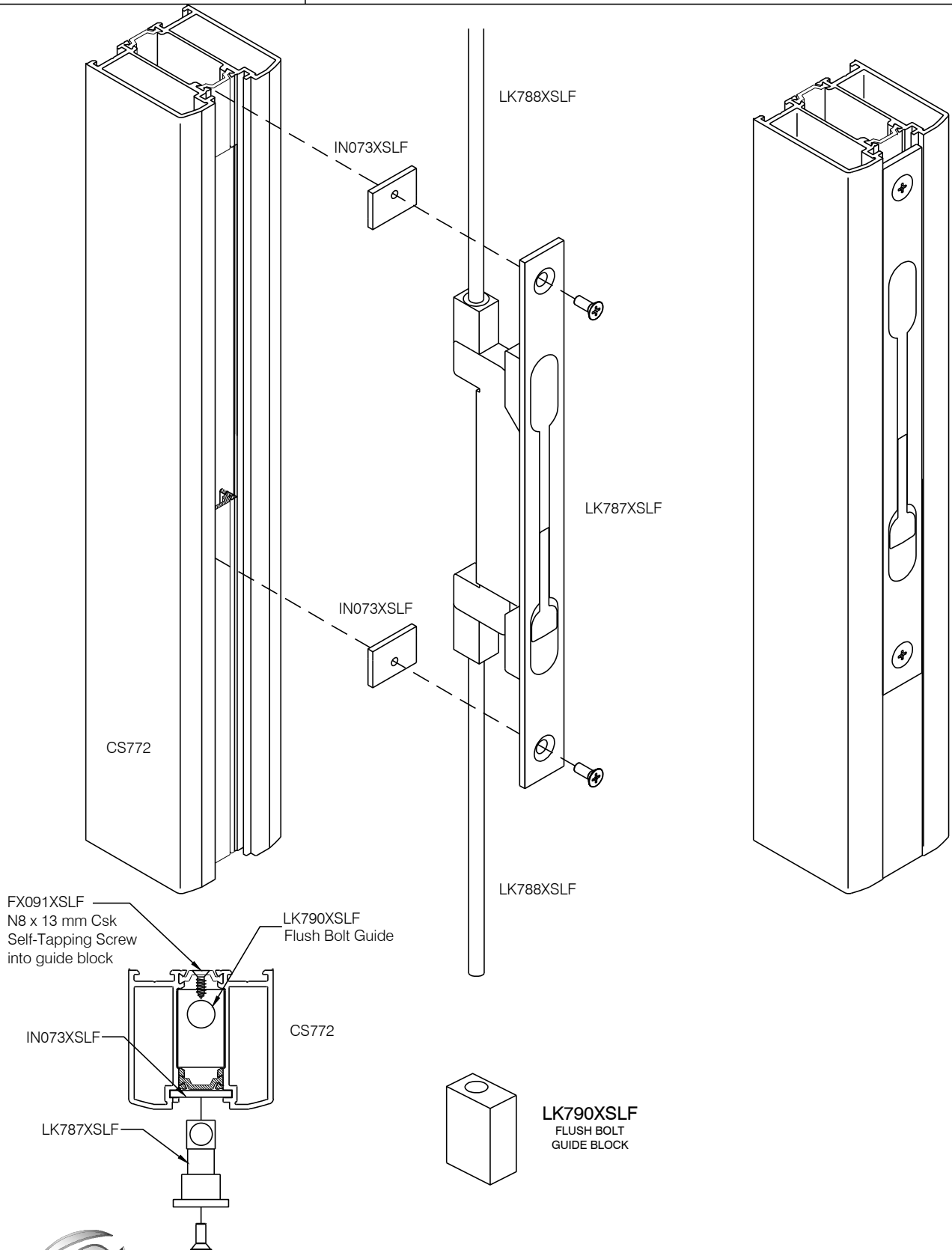
Copyright & ownership of this drawing is vested in COMAR Architectural Aluminium Systems, whose prior written consent is required for its use, reproduction or publication to any third party. All other rights reserved. Subject to modifications without prior notification.



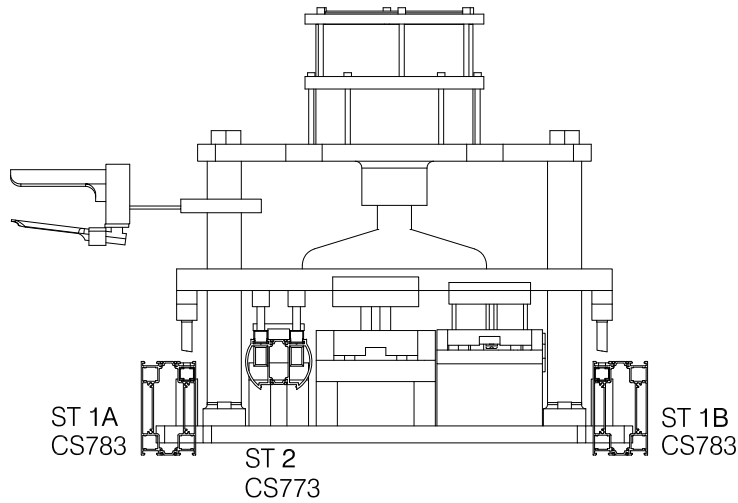
Copyright & ownership of this drawing is vested in COMAR Architectural Aluminium Systems, whose prior written consent is required for its use, reproduction or publication to any third party. All other rights reserved. Subject to modifications without prior notification



SCALE	NTS	© A4
DATE	22/03/17	
DRAWN	NRA / CAD	
DRG. No.	C7Pi-CD-3.54 R0	

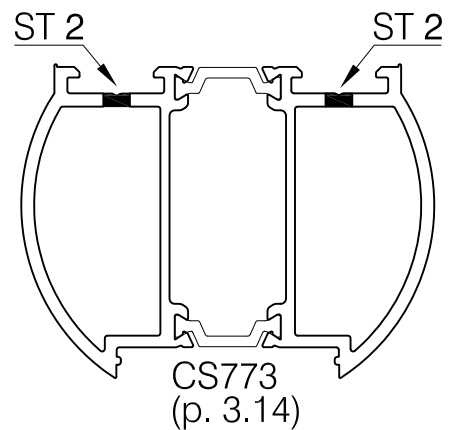
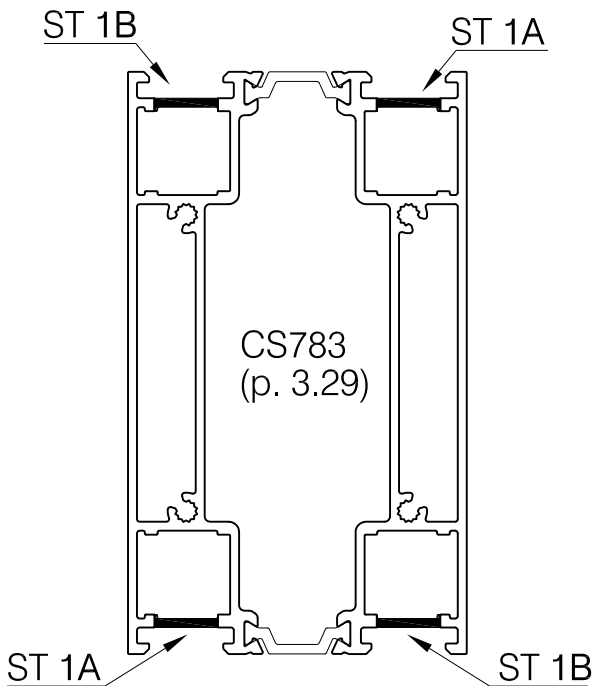
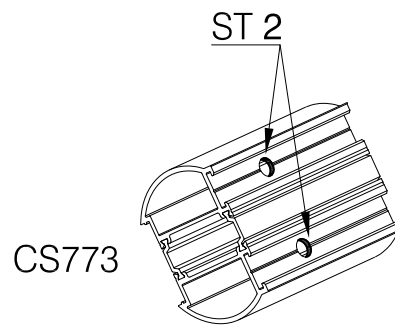
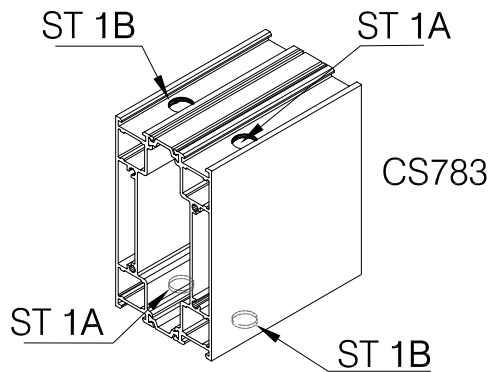


Copyright & ownership of this drawing is vested in COMAR Architectural Aluminium Systems, whose prior written consent is required for its use, reproduction or publication to any third party. All other rights reserved. Subject to modifications without prior notification

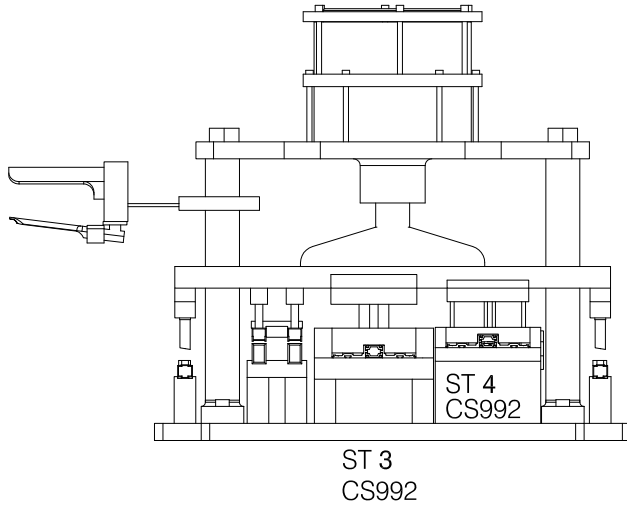


Tooling Ref:  
COM7Pi-CD1

Note: Please refer to the appropriate drawing for further details.

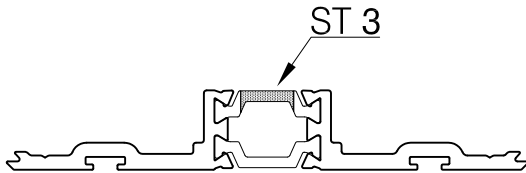
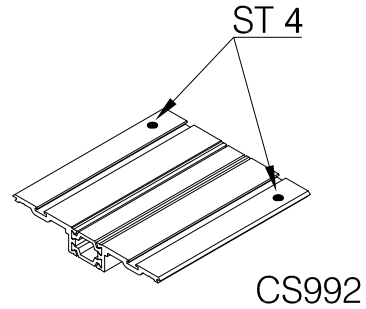
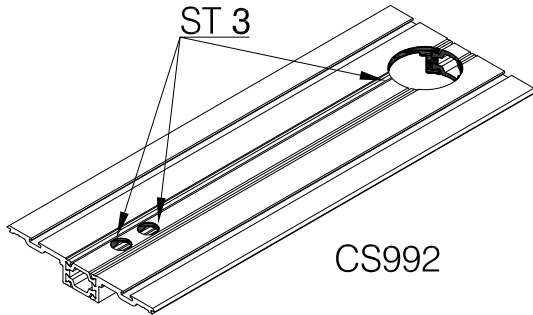


Copyright & ownership of this drawing is vested in COMAR Architectural Aluminium Systems, whose prior written consent is required for its use, reproduction or publication to any third party. All other rights reserved. Subject to modifications without prior notification

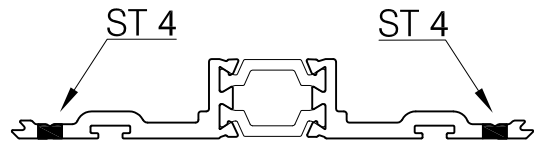


Tooling Ref:  
COM7Pi-CD1

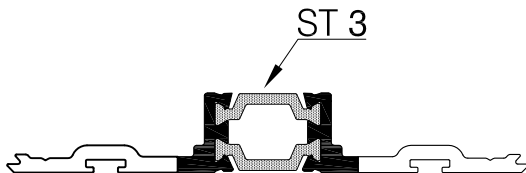
Note: Please refer to the appropriate drawing for further details.



CS992  
(p. 3.12 & 3.13)

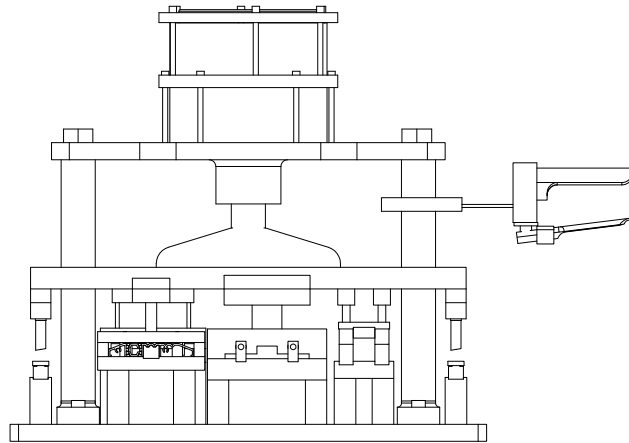


CS992  
(p. 3.12 & 3.13)



CS992  
(p. 3.12 & 3.13)

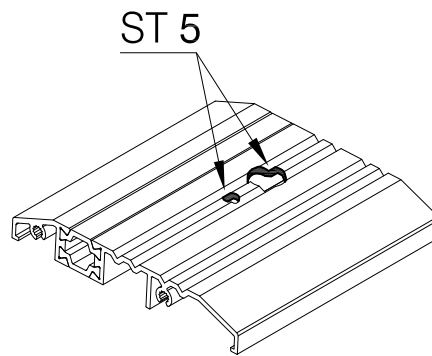




ST 5  
CS915

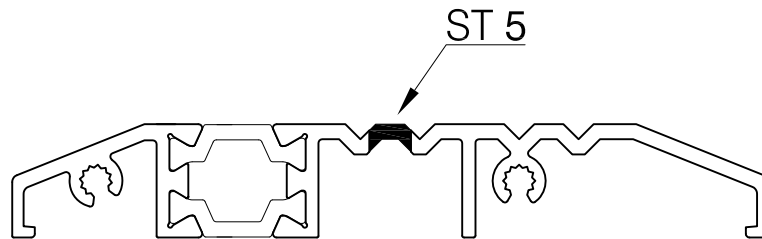
Tooling Ref:  
COM7Pi-CD1

Note: Please refer to the appropriate drawing for further details.

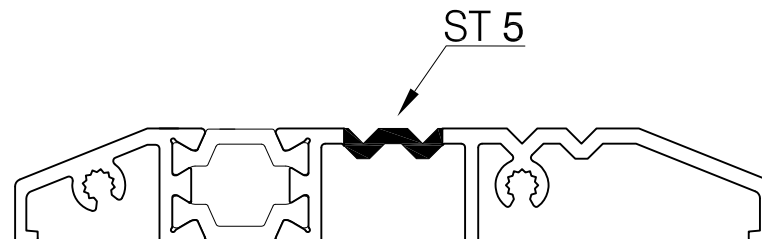


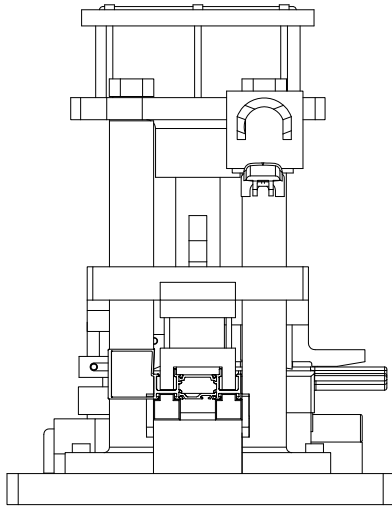
CS915

CS915  
(p. 3.18)



CS915  
(p. 3.18)

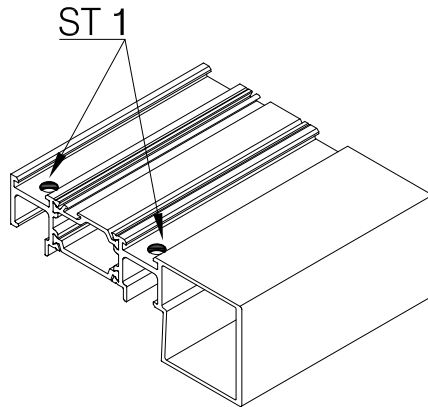




ST 1  
CS965

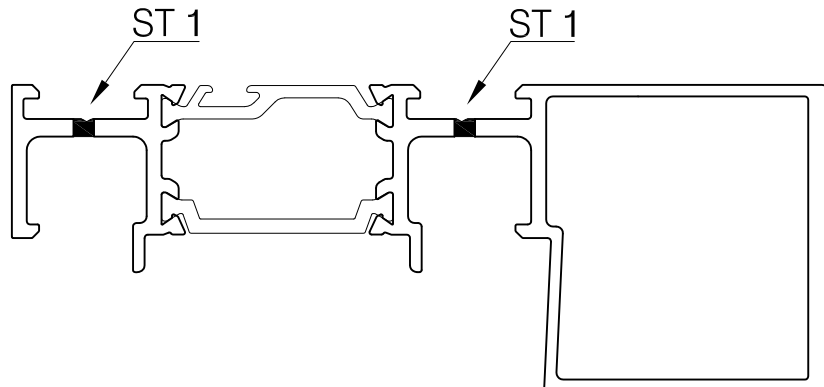
Tooling Ref:  
COM7Pi-CD2

Note: Please refer to the appropriate drawing for further details.

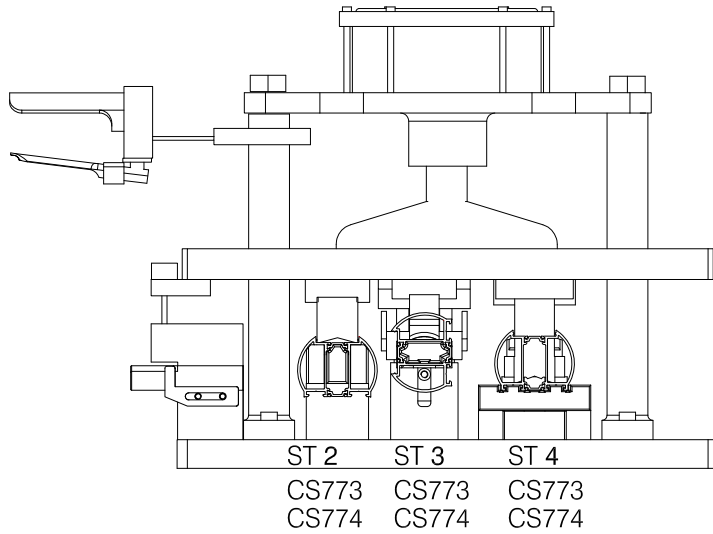


CS965

CS965  
(p. 3.18)

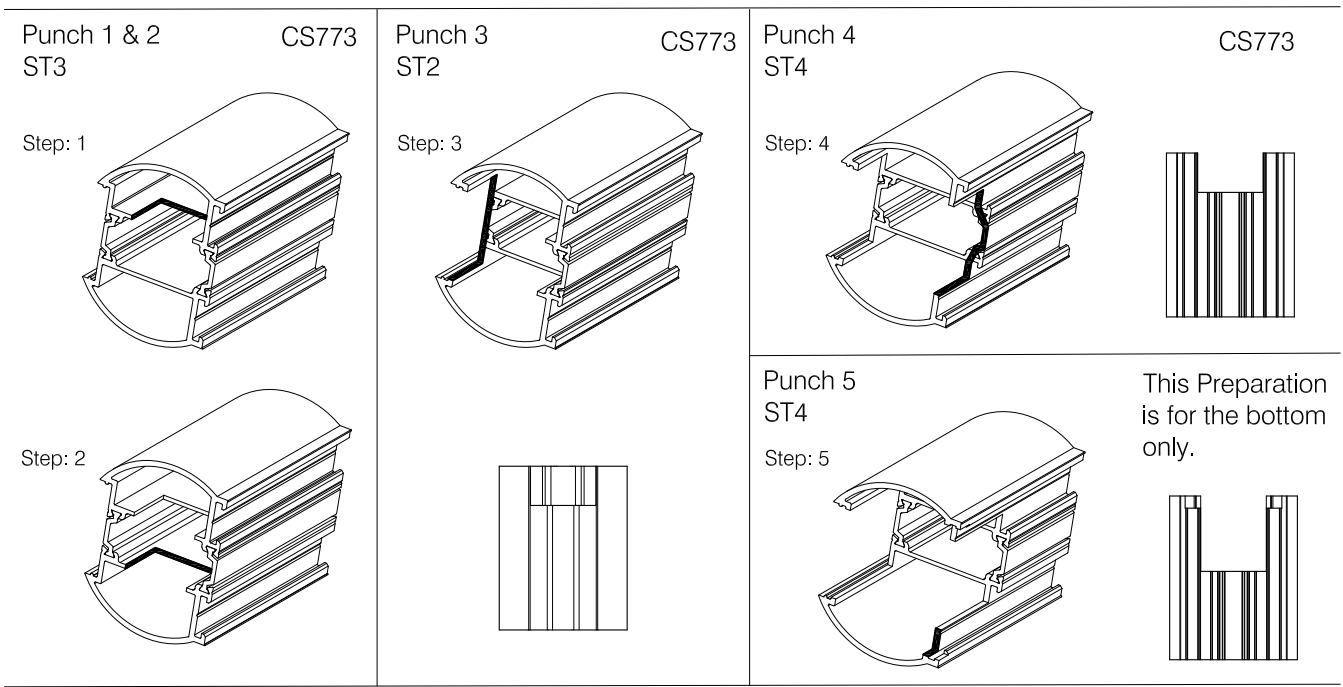




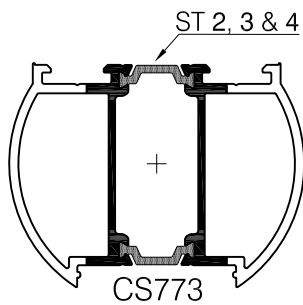


Tooling Ref:  
COM7Pi-CD2

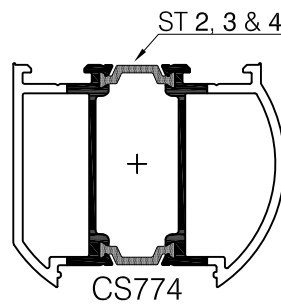
Note: Please refer to the appropriate drawing for further details.



This Preparation is for the bottom only.

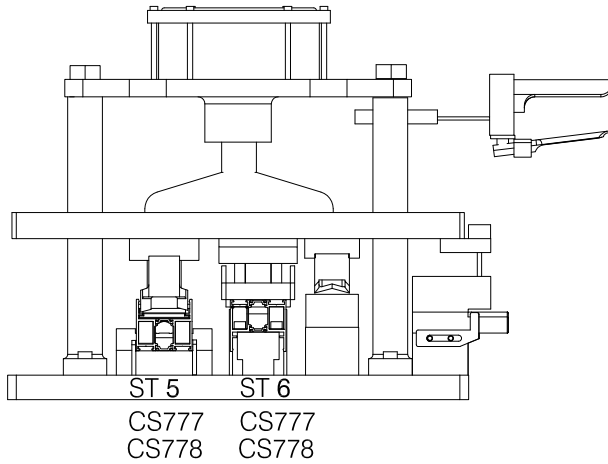


(p. 3.14)  
(p. 3.27)  
(p. 3.29)



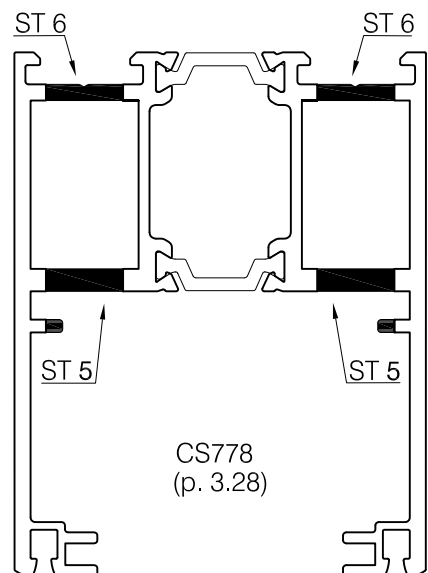
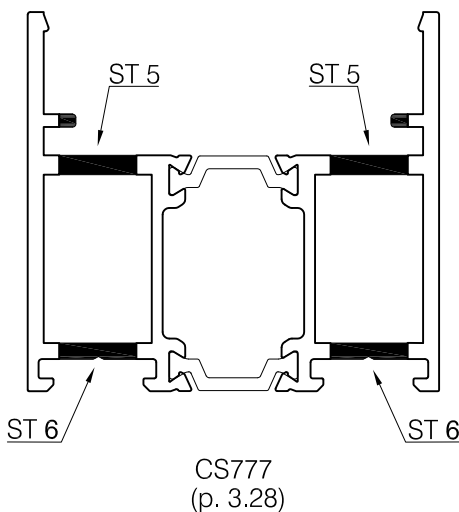
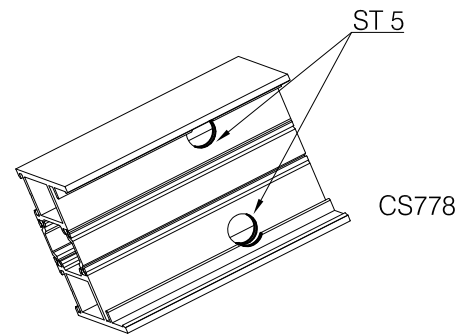
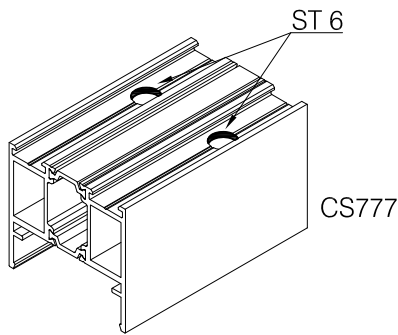
Note: A depth of 46mm will be achieved by two punching operations.





Tooling Ref:  
COM7Pi-CD2

Note: Please refer to the appropriate drawing for further details.

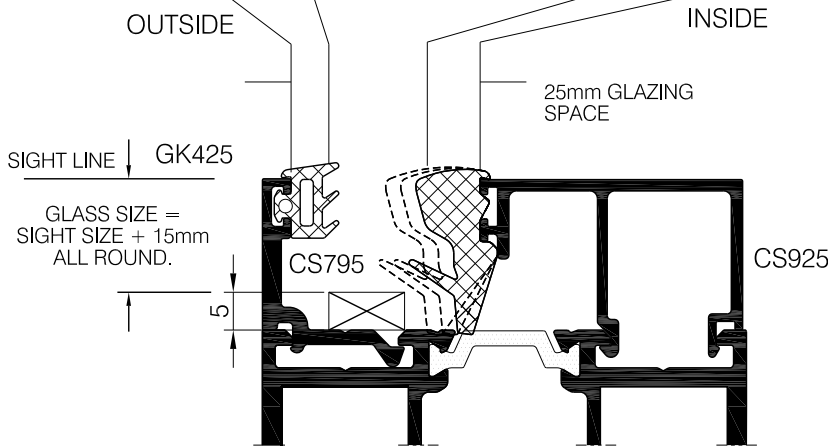


CAPTIVE GASKET ref.	GASKET VALUE M/M	MAX M/M			WEDGE VALUE M/M	WEDGE INSERT ref.
GK425	5	14	13		5 - 7	GK906
GK425	5	13	12	11	7 - 9	GK908
GK425	5	11	10	9	9 - 11	GK910
		MIN M/M				

DOUBLE GLAZED DOOR SYSTEM WITH SQUARE BEAD.

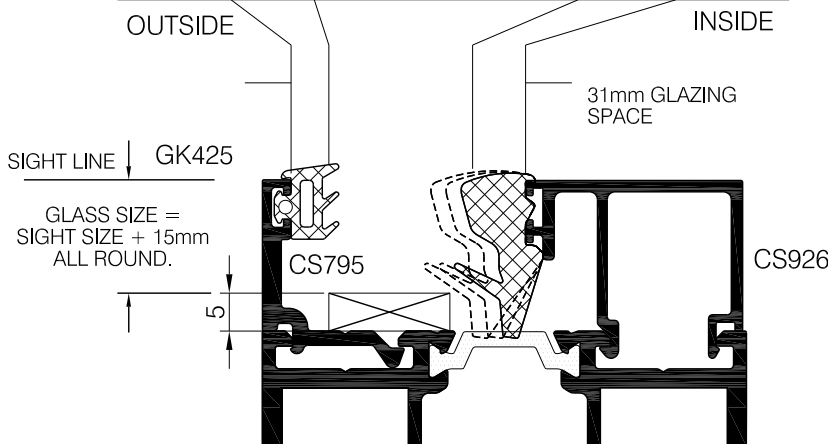
ORDER OF ASSEMBLY:-

1. BEAD CS795.
2. CAPTIVE GASKET.
3. GLASS OR PANEL.
4. CS925-926 SQUARE BEAD.
5. INSERT WEDGE GASKET.



CAPTIVE GASKET ref.	GASKET VALUE M/M	MAX M/M			WEDGE VALUE M/M	WEDGE INSERT ref.
GK425	5	20	19		5 - 7	GK906
GK425	5	19	18	17	7 - 9	GK908
GK425	5	17	16	15	9 - 11	GK910
		MIN M/M				

TO ENSURE SATISFACTORY PRODUCT PERFORMANCE, BOTTOM CORNERS AND INTERNAL GASKET CORNER JOINTS SHOULD BE SILICONE SEALED.



**IMPORTANT NOTE**  
DUE TO PRODUCTION TOLERANCES IN ALUMINIUM, PAINTING/ANODISING, GLASS AND GASKETS, CHECK AND TRIAL ABOVE FORMULAE BEFORE PROCEEDING WITH BULK PRODUCTION.

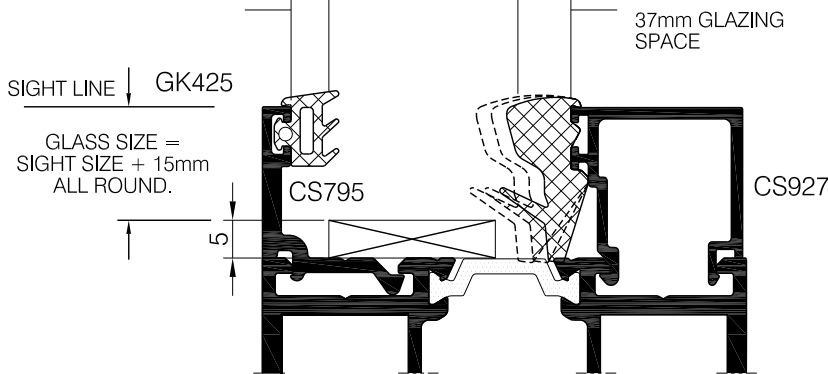


SCALE	NTS	© A4
DATE	30/09/14	
DRAWN	VM/KP	
DRG. No.	C7Pi-CD-4.01 R1	

CAPTIVE GASKET ref.	GASKET VALUE M/M	MAX M/M			WEDGE VALUE M/M	WEDGE INSERT ref.
GK425	5	26	25	5 - 7	GK906	
GK425	5	25	24	7 - 9	GK908	
GK425	5	23	22	9 - 11	GK910	
		MIN M/M				

OUTSIDE

INSIDE



DOUBLE GLAZED DOOR SYSTEM WITH SQUARE BEAD.

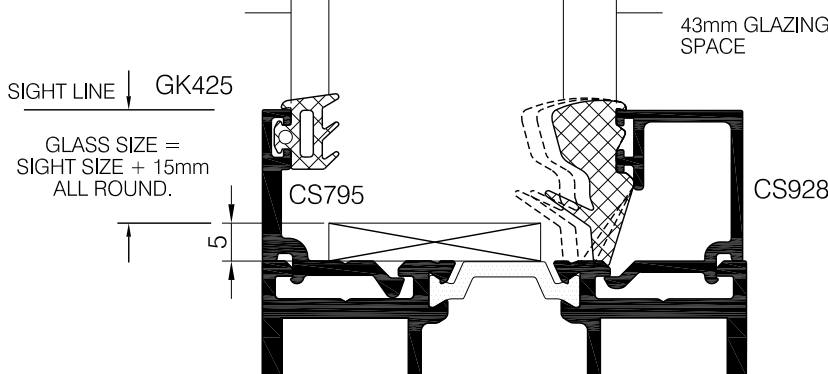
ORDER OF ASSEMBLY:-

1. BEAD CS795.
2. CAPTIVE GASKET.
3. GLASS OR PANEL.
4. CS927-928 SQUARE BEAD.
5. INSERT WEDGE GASKET.

CAPTIVE GASKET ref.	GASKET VALUE M/M	MAX M/M			WEDGE VALUE M/M	WEDGE INSERT ref.
GK425	5	32	31	5 - 7	GK906	
GK425	5	31	30	7 - 9	GK908	
GK425	5	29	28	9 - 11	GK910	
		MIN M/M				

OUTSIDE

INSIDE



TO ENSURE SATISFACTORY PRODUCT PERFORMANCE, BOTTOM CORNERS AND INTERNAL GASKET CORNER JOINTS SHOULD BE SILICONE SEALED.

### IMPORTANT NOTE

DUE TO PRODUCTION TOLERANCES IN ALUMINIUM, PAINTING/ANODISING, GLASS AND GASKETS, CHECK AND TRIAL ABOVE FORMULAE BEFORE PROCEEDING WITH BULK PRODUCTION.



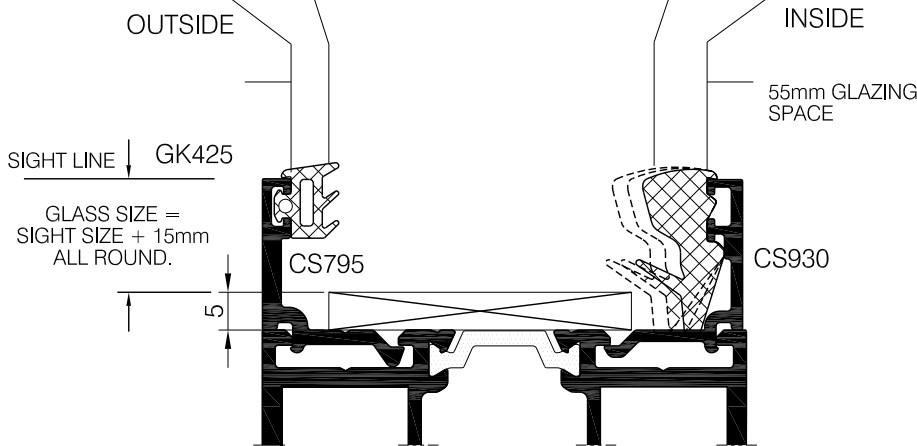
SCALE	NTS	© A4
DATE	30/09/14	
DRAWN	VM/KP	
DRG. No.	C7Pi-CD-4.02 R1	

CAPTIVE GASKET ref.	GASKET VALUE M/M	MAX M/M			WEDGE VALUE M/M	WEDGE INSERT ref.
GK425	5	45	44	43	5 - 7	GK906
GK425	5	43	42	41	7 - 9	GK908
GK425	5	41	40	39	9 - 11	GK910
		MIN M/M				

DOUBLE GLAZED DOOR SYSTEM WITH SQUARE BEAD.

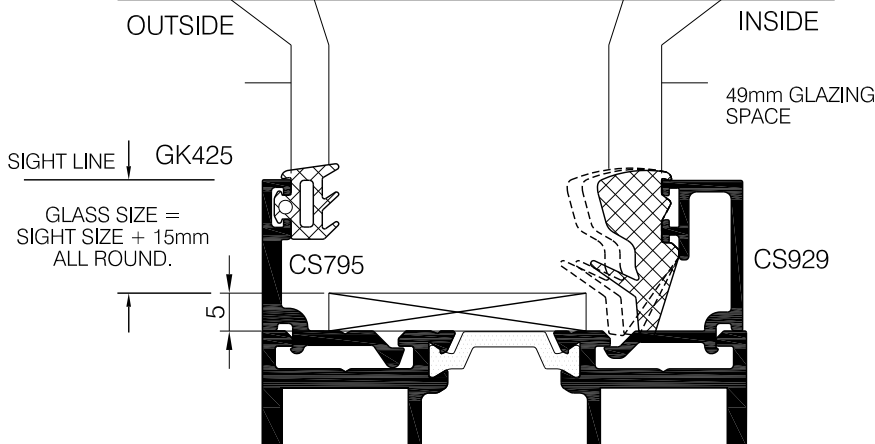
ORDER OF ASSEMBLY:-

1. BEAD CS795.
2. CAPTIVE GASKET.
3. GLASS OR PANEL.
4. CS929-930 SQUARE BEAD.
5. INSERT WEDGE GASKET.



TO ENSURE SATISFACTORY PRODUCT PERFORMANCE, BOTTOM CORNERS AND INTERNAL GASKET CORNER JOINTS SHOULD BE SILICONE SEALED.

CAPTIVE GASKET ref.	GASKET VALUE M/M	MAX M/M			WEDGE VALUE M/M	WEDGE INSERT ref.
GK425	5	38	37		5 - 7	GK906
GK425	5	37	36	35	7 - 9	GK908
GK425	5	35	34	33	9 - 11	GK910
		MIN M/M				



**IMPORTANT NOTE**  
DUE TO PRODUCTION TOLERANCES IN ALUMINIUM, PAINTING/ANODISING, GLASS AND GASKETS, CHECK AND TRIAL ABOVE FORMULAE BEFORE PROCEEDING WITH BULK PRODUCTION.



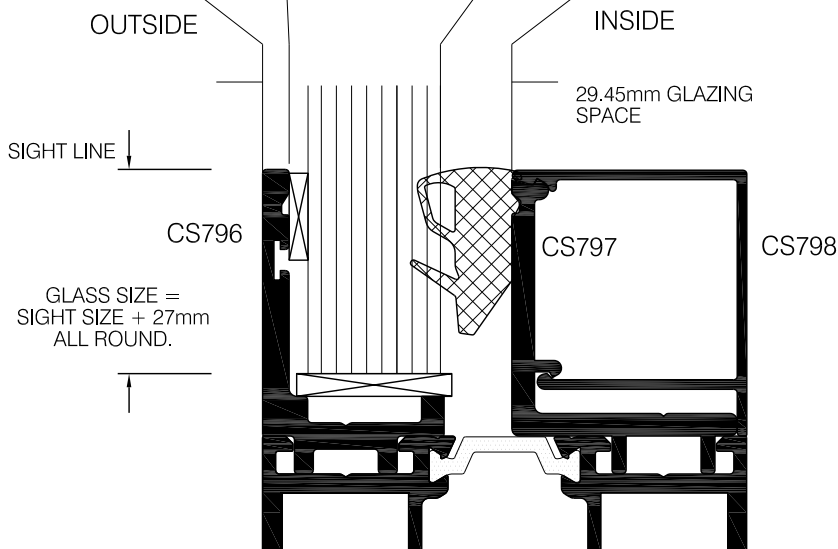
SCALE	NTS	© A4
DATE	30/09/14	
DRAWN	VM/KP	
DRG. No.	C7Pi-CD-4.03 R1	

SECURELY GLAZED DOOR SYSTEM WITH SQUARE BEAD.

ORDER OF ASSEMBLY:-

1. FIX & SECURE CS796 OUTSIDE BEAD USING PRESCRIBED SCREW.
2. FIT SECURITY TAPE SE003 TO CS796.
3. FIT GLASS & PRESS AGAINST PROFILE.
4. FIT CS797 & PRESS HARD & SECURE USING PRESCRIBED SCREWS.
5. INSERT CAPTIVE GASKET.
6. FIT CS798 SECURITY BEAD COVER IN PLACE.

CAPTIVE GASKET ref.	GASKET VALUE M/M	MAX M/M	WEDGE VALUE M/M	WEDGE INSERT ref.
SE003	2.5	17.5	9 - 11	GK910
		MIN M/M		



TO ENSURE SATISFACTORY PRODUCT PERFORMANCE, BOTTOM CORNERS AND INTERNAL GASKET CORNER JOINTS SHOULD BE SILICONE SEALED.

### IMPORTANT NOTE

DUE TO PRODUCTION TOLERANCES IN ALUMINIUM, PAINTING/ANODISING, GLASS AND GASKETS, CHECK AND TRIAL ABOVE FORMULAE BEFORE PROCEEDING WITH BULK PRODUCTION.

Copyright & ownership of this drawing is vested in COMAR Architectural Aluminium Systems, whose prior written consent is required for its use, reproduction or publication to any third party. All other rights reserved. Subject to modifications without prior notification