



comar7P.i LS+
high performance lift/slide doors





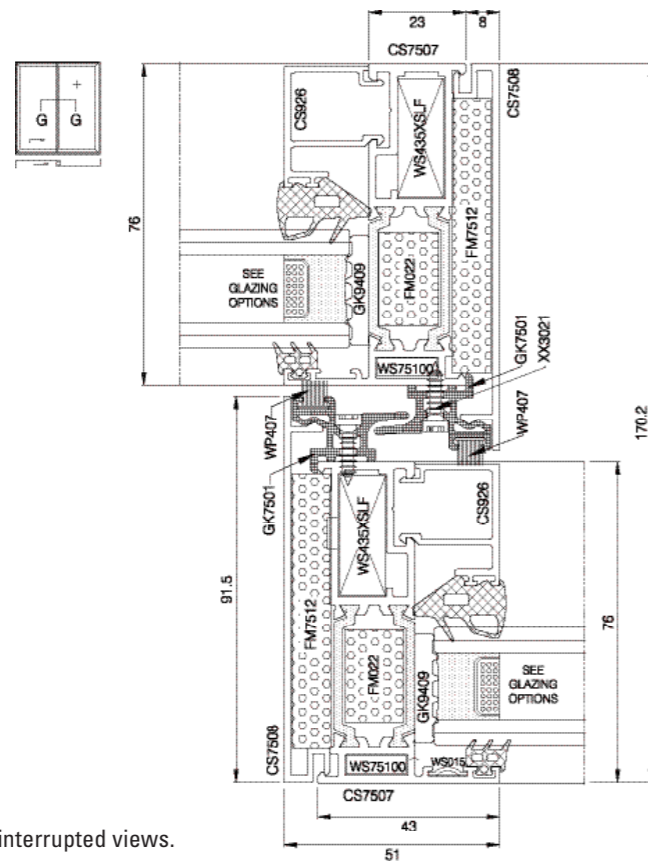
Now it's your turn to lift and slide your product range. Innovative lift and slide gearing provides smooth operation for doors up to 12 metres wide and 3 metres high. From one system Comar 7P.i LS+ provides delivered solutions, for the summer months maximise the opening space with the three-track slider, whilst in the winter the lowest U-values keep out the cold.

Innovation comes from Comar 7P.i LS+ offering unique solutions from one system, which means that with the same profiles you can provide lift slide or straight rolling gear, standard or slim interlock, enhanced performance with the inclusion of thermal foam and double or triple track configurations.

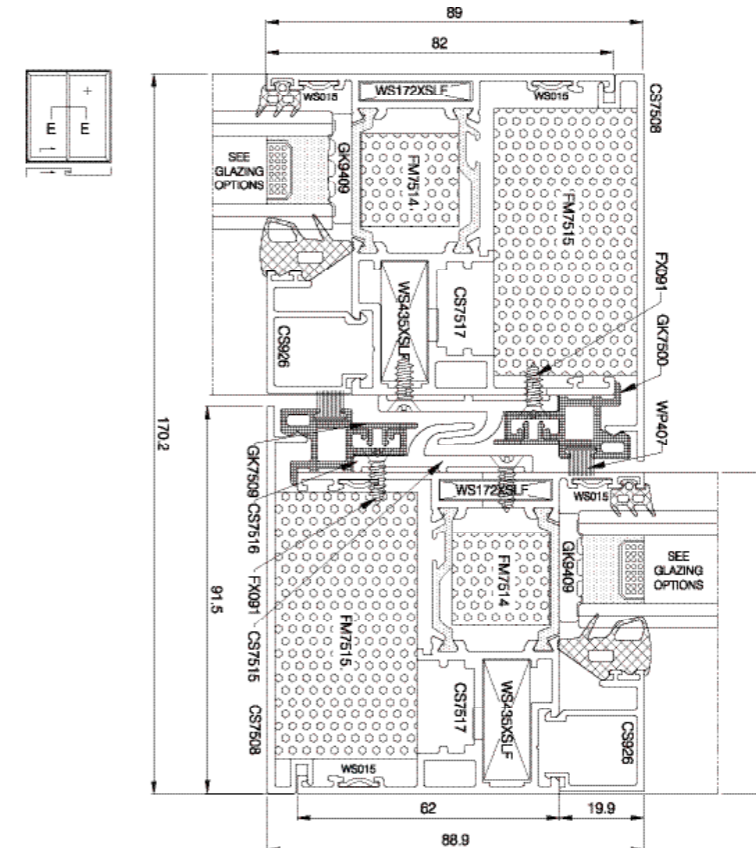
- Lift/Slide Gear
- Straight rolling option
- 2 or 3 track options
- Standard Interlock
- Slim Interlock
- Each door 3000mm wide
- Each door up to 3000mm high
- Sliding wall up to 12 metres
- PAS 24:2016
- BS 6375 Parts 1, 2 & 3
- Kitemarked
- Secured by Design
- Double or Triple Glazing
- Maximum Glazing 57mm
- Acoustically Tested
- Seamlessly suites with Comar Systems



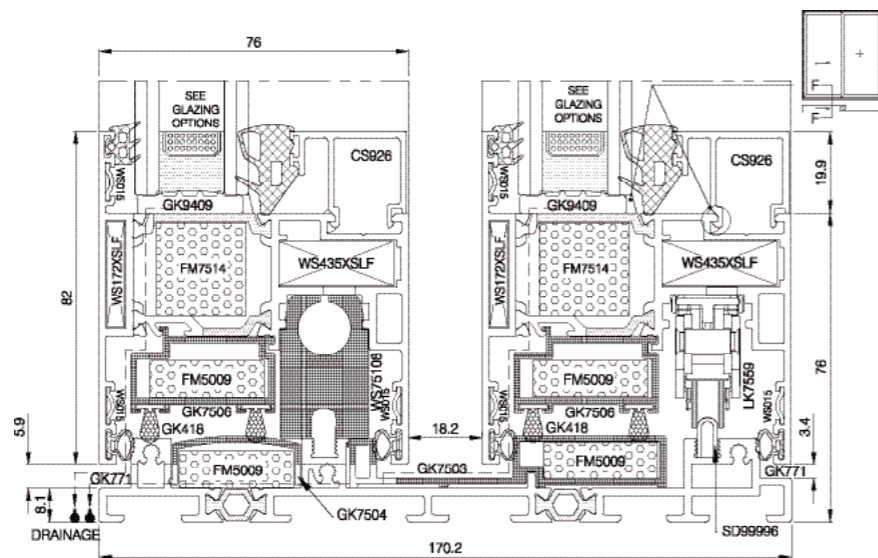
Comar 7P.i LS+ It's a lift slide life for us



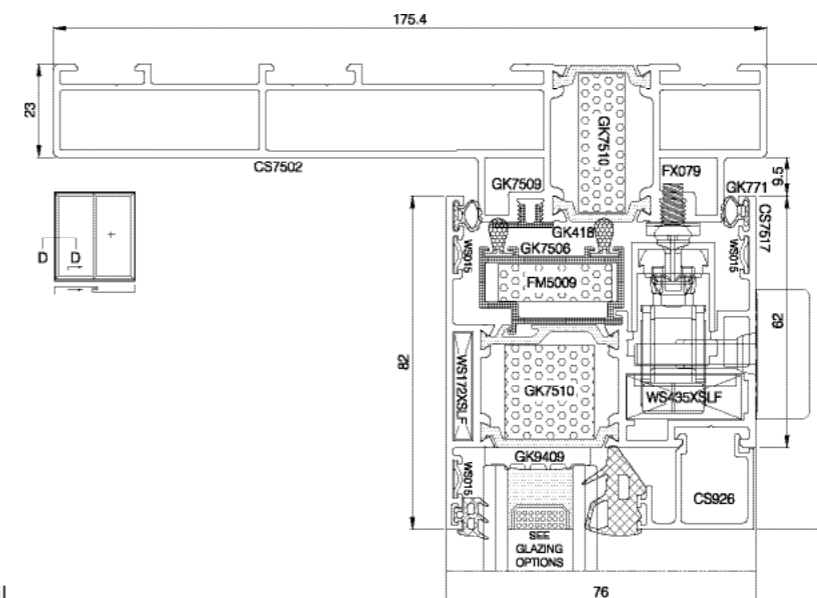
Slim Interlock Option for uninterrupted views.



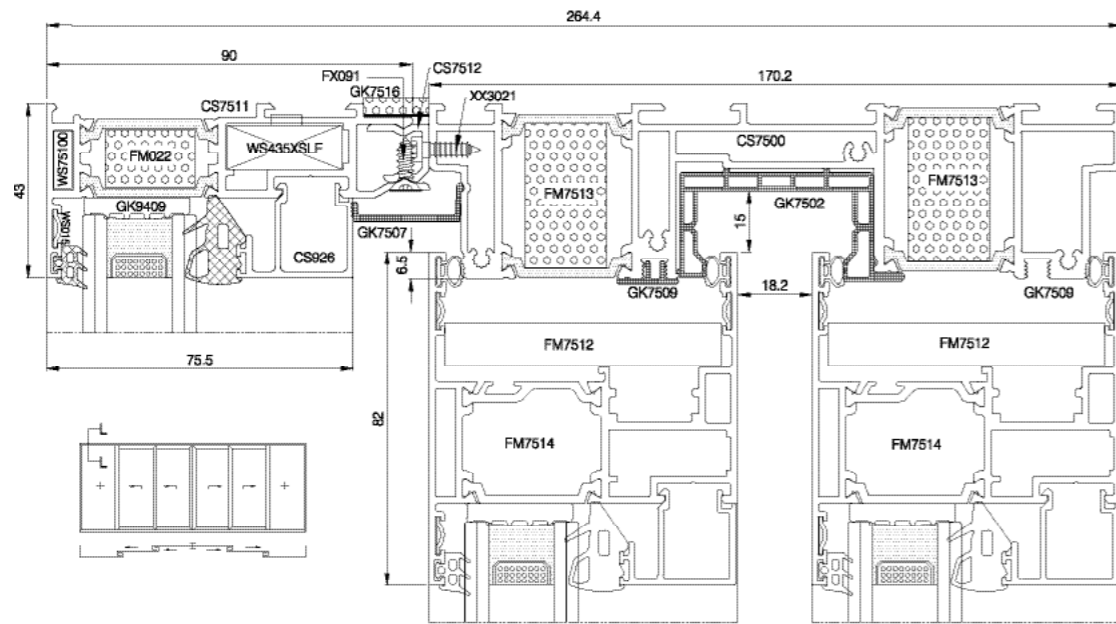
Double Track Security Interlock Option for Secured by Design, PAS24:2016



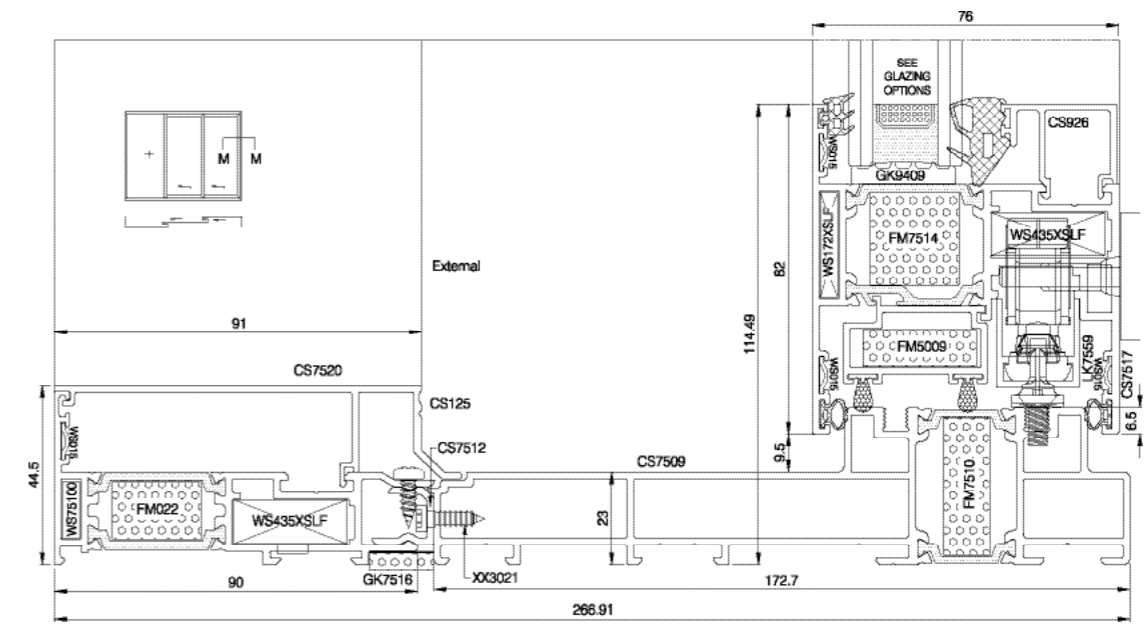
Highly insulated double track sill.



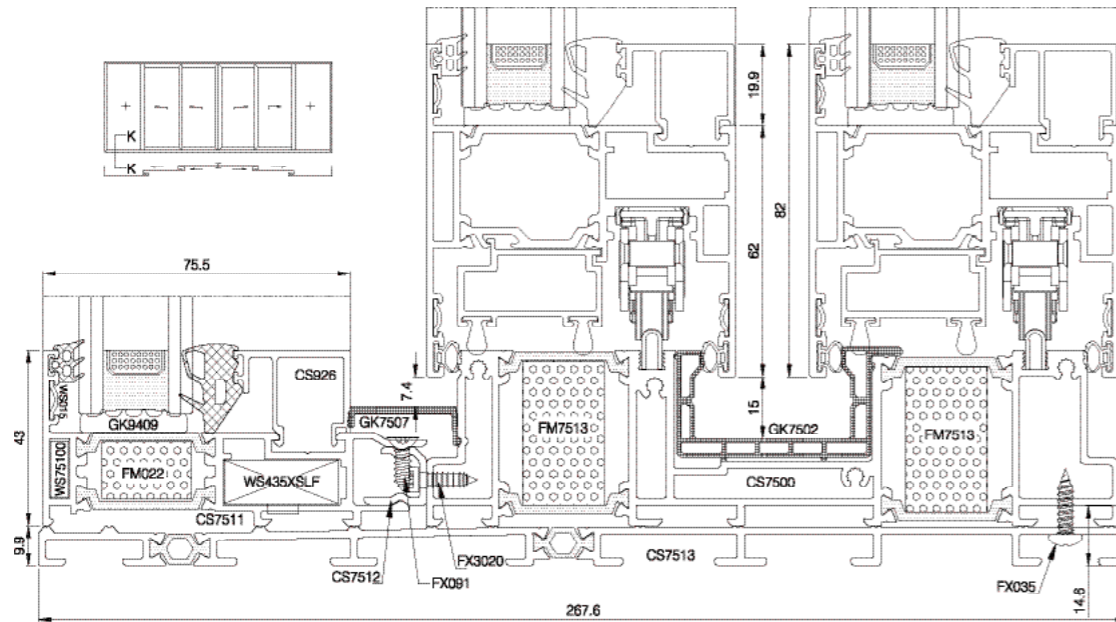
Double Track Jamb Detail



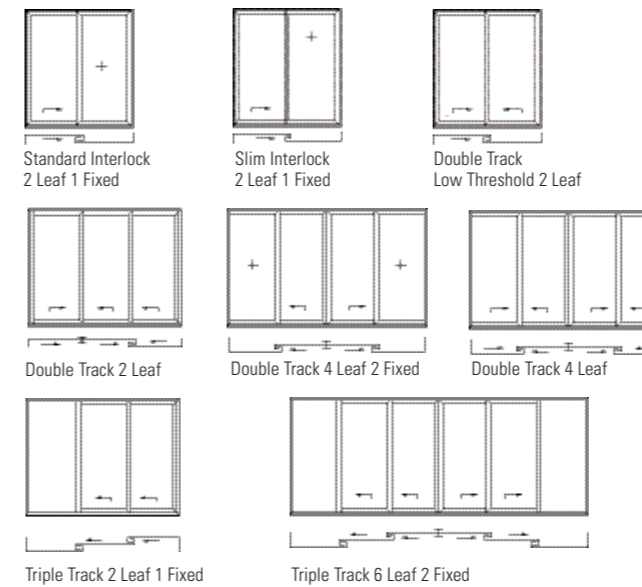
Highly insulated Triple Track Head Detail.



Highly insulated Triple Track Jamb Detail.



Highly insulated Triple Track Sill Detail.



Maximum Glazing	57mm
Maximum Height	3000mm
Maximum Width	3000mm
Maximum Sliding Wall	12000mm
Maximum Weight Per Door	400Kg





TPG – The Parkside Group Ltd, The Willow Centre, 17 Willow Lane, Mitcham, Surrey CR4 4NX
T: +44 (0)20 8685 9685 F: +44 (0)20 8646 5096 E: projects@parksidegroup.co.uk www.comar-alu.co.uk