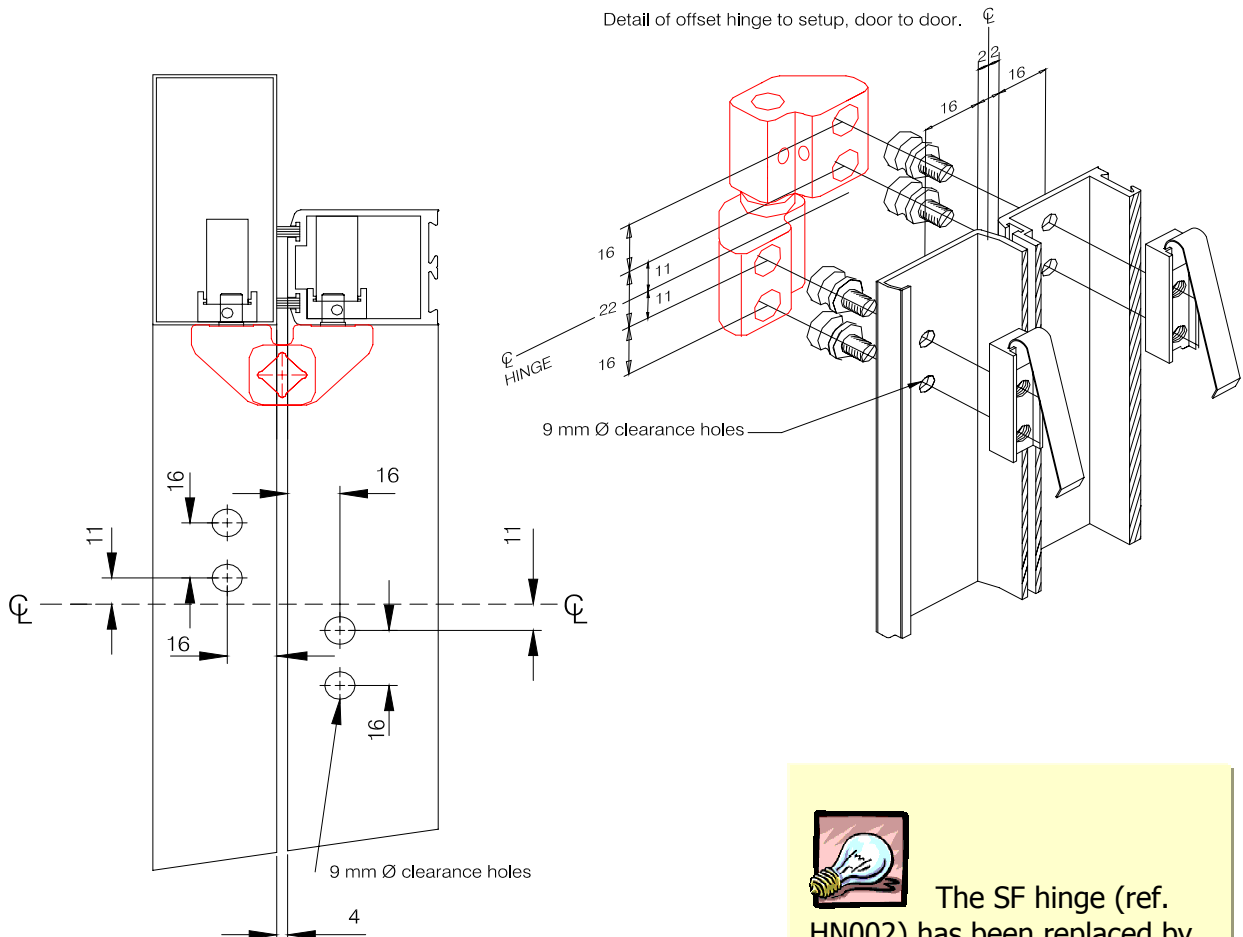


Technical Datasheet

NEW HN950 HINGE SUPERSEDES HN002 SF



The SF hinge (ref. HN002) has been replaced by the HN950 hinge for doors in the Comar 7 range.

Please note that the hole centres have changed and a different drilling jig will be required.

Fabrication details available from Technical Dept.
technical@parksidegrp.co.uk