

# Technical Datasheet

## NEW PRODUCT: CW054XSLF COMAR 6 DRAINAGE SPOUT

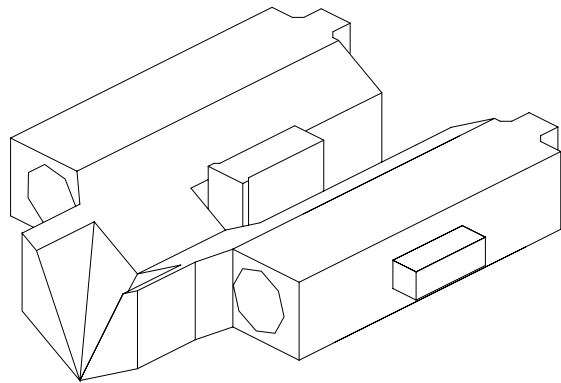
<b>CW054XSLF</b>	
QUANTITY PER BAG	<b>10</b>
GROSS WEIGHT KGS.	<b>26g Each</b>



The CW054 drainage spout has been introduced to accommodate the plastic pressure plate into Comar 6 ladder frame curtain walling.

With plastic pressure plate, drainage spouts correspond to different isolators – see table below.

Fabrication details available from  
Technical Dept.  
[technical@parksidegrp.co.uk](mailto:technical@parksidegrp.co.uk)



ISOLATOR REF.	DRAINAGE SPOUT REF.
GK619	CW052XSLFR
GK620	CW053XSLFR
GK621	CW054XSLFR

PRODUCT REF.	PER BAG OF TEN
CW 054XSLF	£16.50



The Parkside Group Limited  
Unit 5 The Willow Centre  
17 Willow Lane  
Mitcham Surrey CR4 4NX  
Email  
[Technical@Parksidegrp.co.uk](mailto:Technical@Parksidegrp.co.uk)



SHEET	<b>TD0028</b>
CHECKED BY	<b>SJJ</b>
DATE	<b>14-04-04</b>