

Technical Datasheet

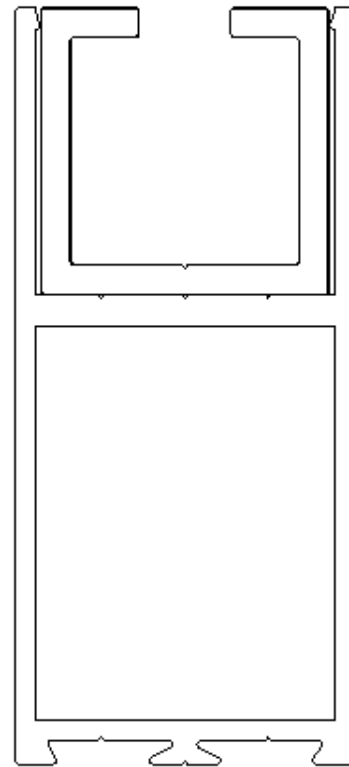
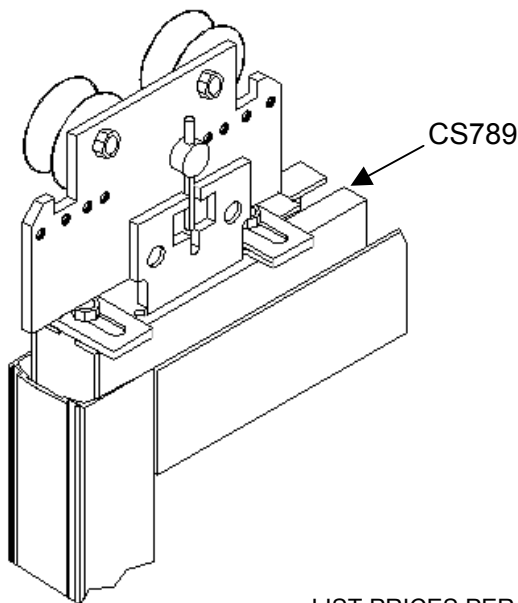
NEW PROFILE – CS789 Door Rail Hanger Channel



Door rail hanger channel for auto doors to fit into top of Comar door rails

Fabrication details available from Technical Dept.
technical@parksidegrp.co.uk

CS789	
STOCK LENGTH mm	6450
QUANTITY PER CARTON	6
GROSS WEIGHT KGS.	52



LIST PRICES PER UNIT LENGTH SHOWN IN £

PROFILE REF.	MILL FINISH	NAT. SILVER ANODISED	BRZ /BLACK ANODISED	HIPCA WHITE P.P.C	RAL COLOUR P.P.C
CS 789	79.79	<i>93.60</i>	<i>112.56</i>	<i>92.03</i>	<i>98.12</i>

NOTE: PRICES SHOWN IN ITALICS DENOTE FINISHES NOT ALWAYS HELD IN STOCK AND MAY BE SUBJECT TO SPECIAL PRICE AND/OR DELIVERY.



The Parkside Group Limited
 Unit 5 The Willow Centre
 17 Willow Lane
 Mitcham Surrey CR4 4NX
 Email
Technical@Parksidegrp.co.uk



SHEET	TD0022
CHECKED BY	SJJ
DATE	21.10.03