

Technical Datasheet

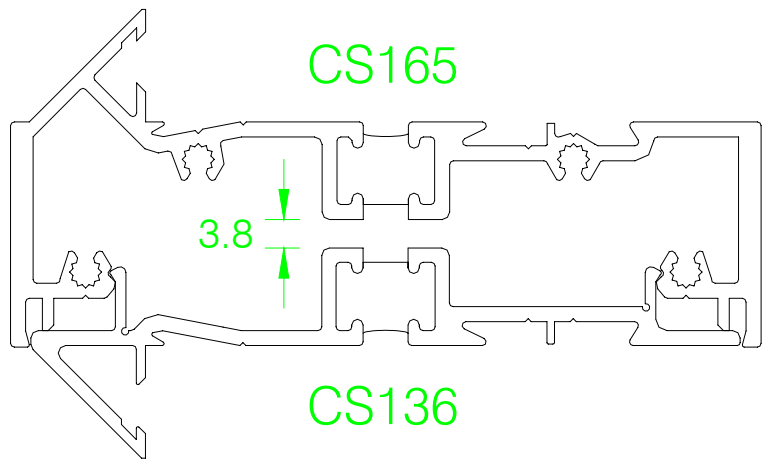
PROFILE AMENDMENTS FOR COMAR 2, 30 mm – CS165, CS171, CS136 & CS160



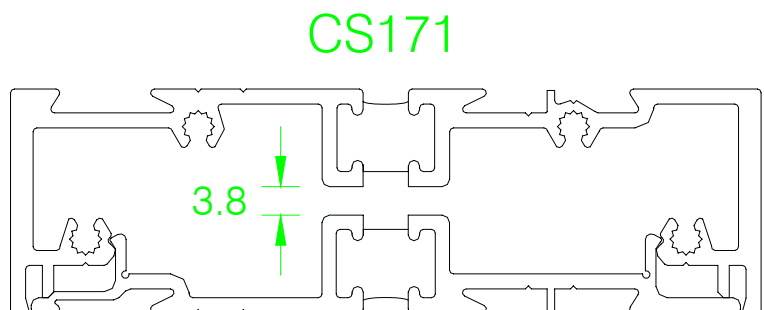
Due to compounding production tolerances we have experienced problems with the above profiles clipping together correctly as the thermal break pockets interfere. To overcome this problem COMAR have redesigned the profiles with slightly reduced pocket dimensions and tighter flatness tolerances. All other dimensions remain unaffected.

Fabrication details available from Technical Dept.

technical@parksidegrp.co.uk

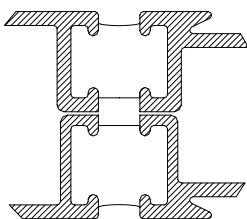


CS136

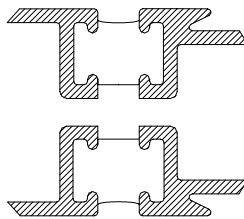


CS160

Previous Fit



New Fit



The Parkside Group Limited
 Unit 5 The Willow Centre
 17 Willow Lane
 Mitcham Surrey CR4 4NX
 Email
Technical@Parksidegrp.co.uk



SHEET	TD0024
CHECKED BY	SJJ
DATE	21.10.03