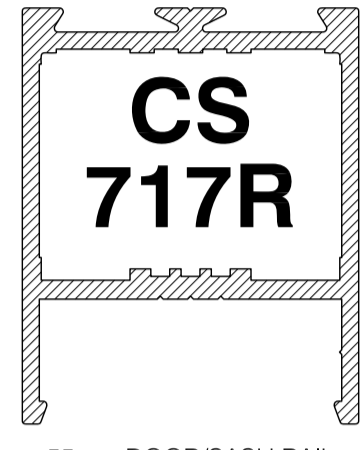


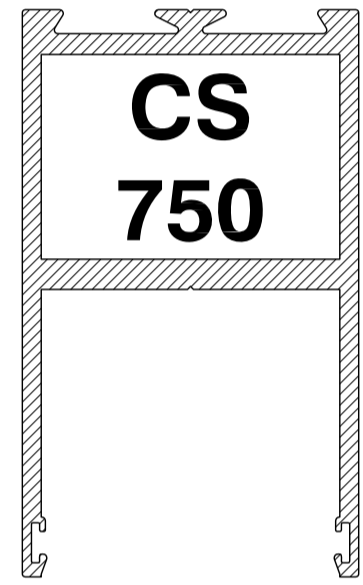
**CS17**

55mm DOOR/SASH RAIL



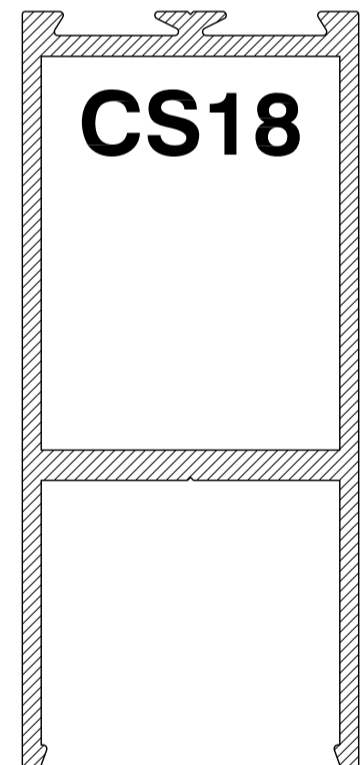
**CS717R**

55mm DOOR/SASH RAIL REVISED (ECONOMY)



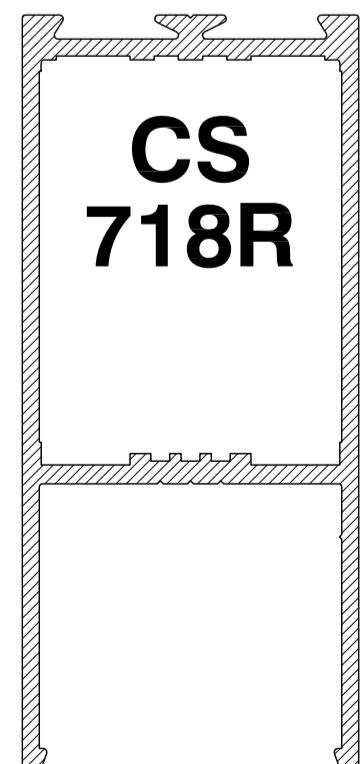
**CS750**

75mm SASH RAIL



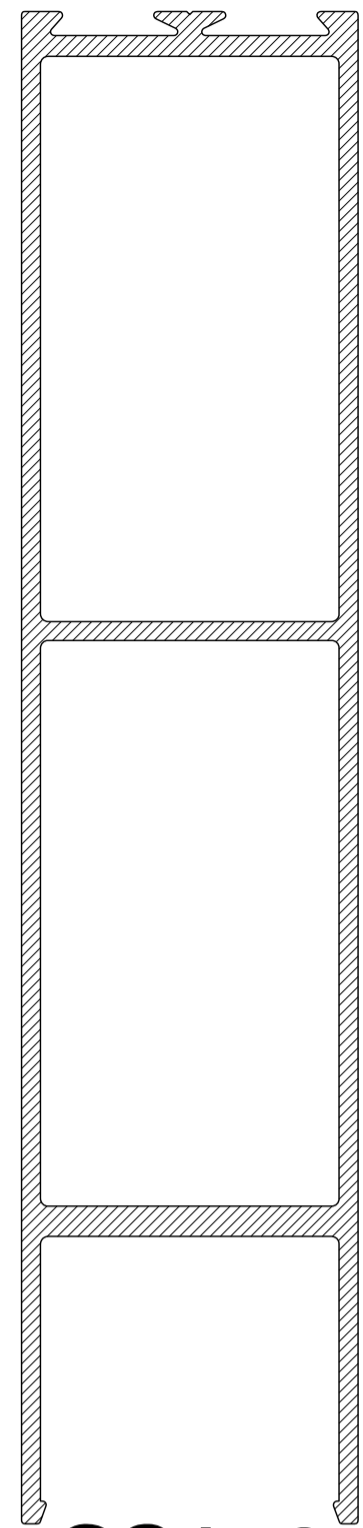
**CS18**

100mm DOOR/SASH RAIL



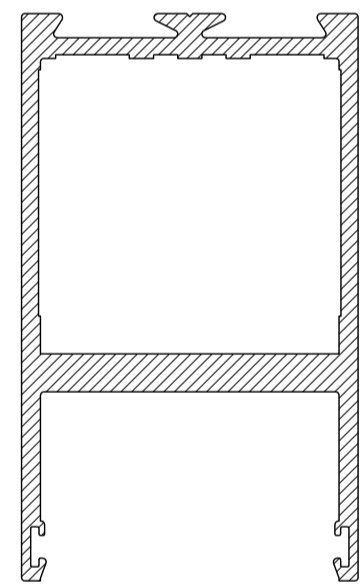
**CS718R**

100mm DOOR/SASH RAIL REVISED (ECONOMY)



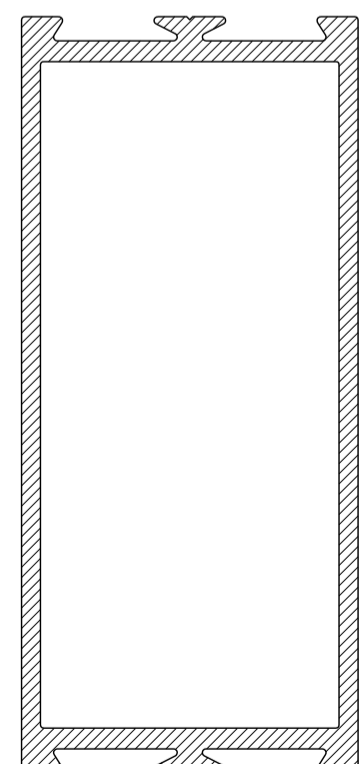
**CS156**

200mm DOOR/SASH RAIL



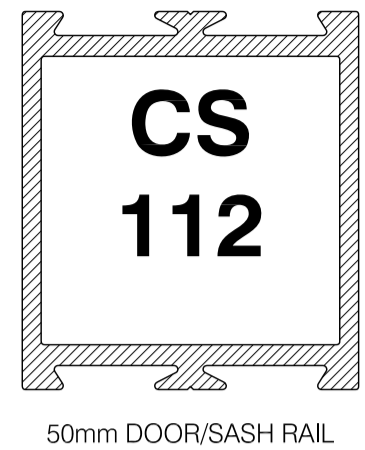
**CS755**

75mm DOOR/SASH RAIL



**CS111**

100mm DOOR/SASH RAIL



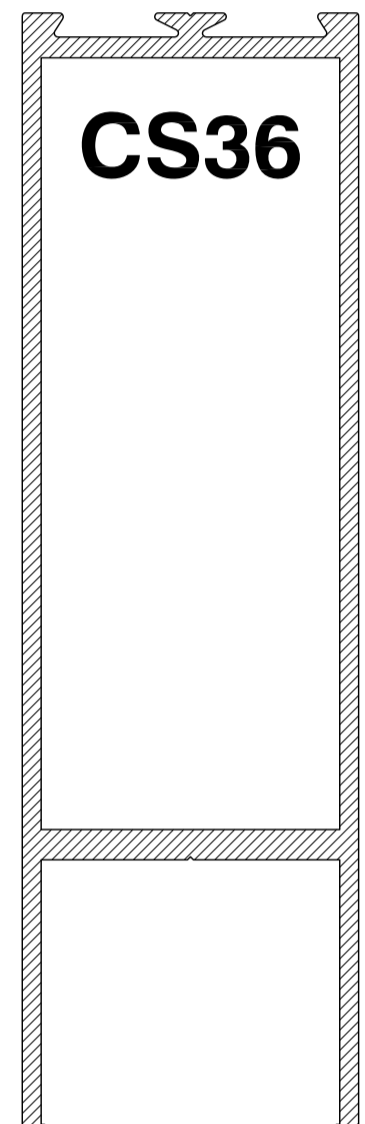
**CS112**

50mm DOOR/SASH RAIL



**CS721**

10mm TRANSOM/MULLION



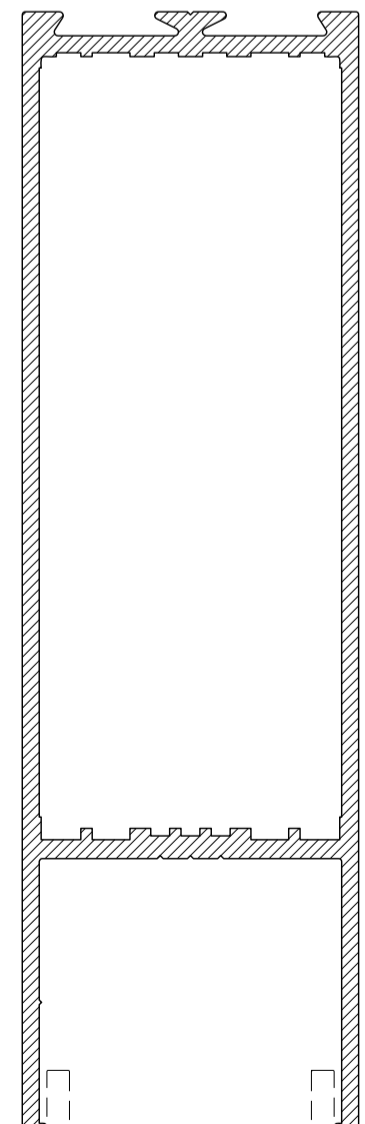
**CS36**

150mm DOOR/SASH RAIL

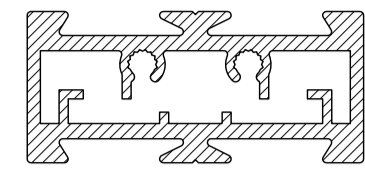


**CS736R**

150mm DOOR/SASH RAIL REVISED (ECONOMY)

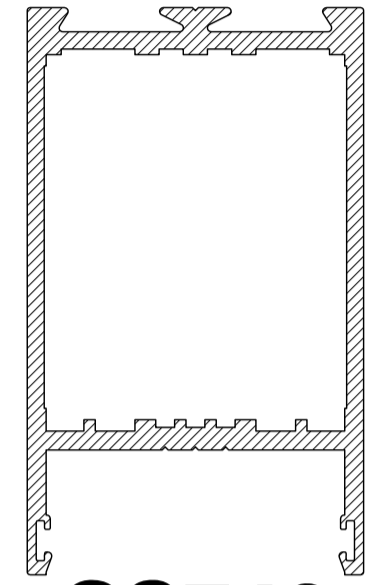


(CS191)



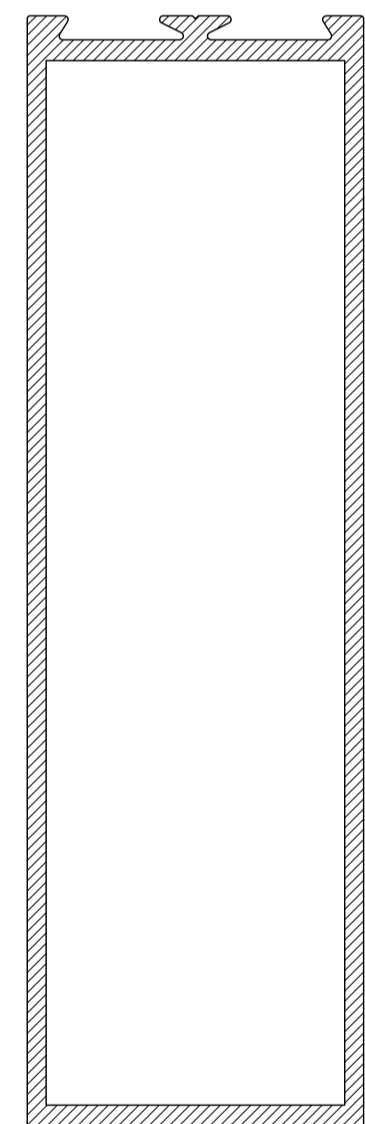
**CS115**

20mm TRANSOM/MULLION



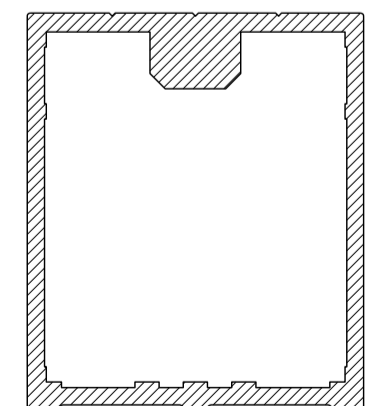
**CS740**

75mm DOOR/SASH RAIL REVISED (ECONOMY)



**CS38**

150mm DOOR/SASH RAIL



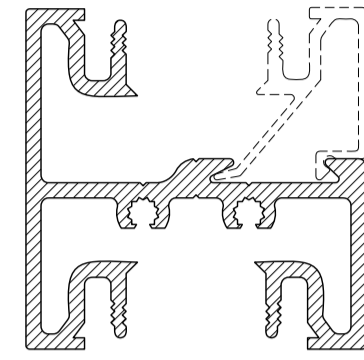
**CS727R**

55mm DOOR/SASH RAIL REVISED (ECONOMY)



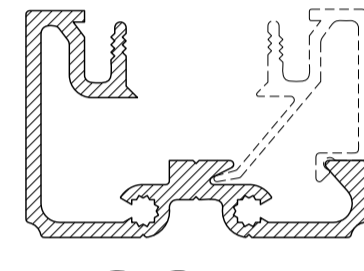
**CS21**

BEAD CARRIER



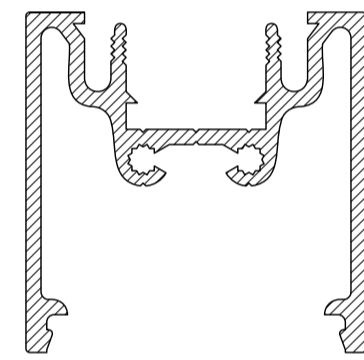
**CS11**

45mm TRANSOM/FRAME/MULLION



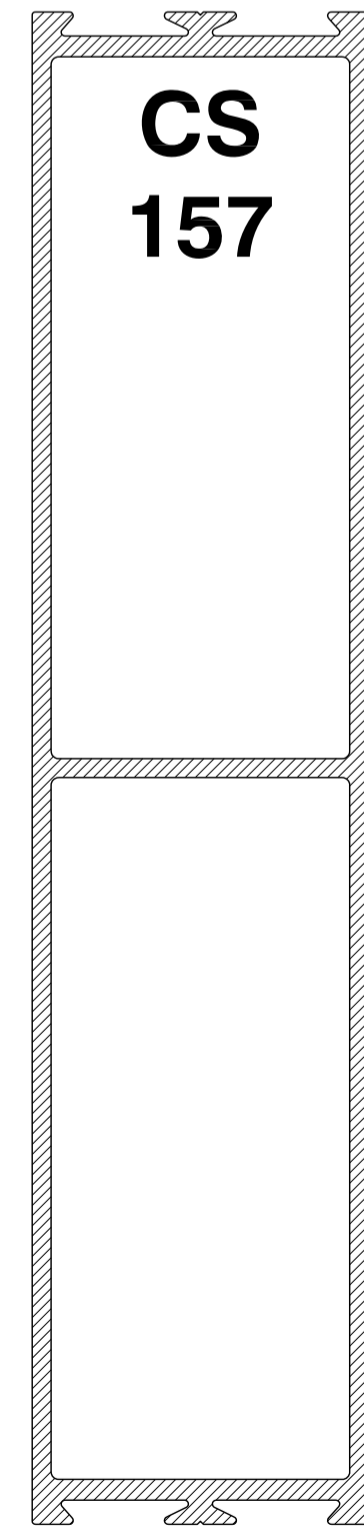
**CS28**

FIXED BEAD CARRIER



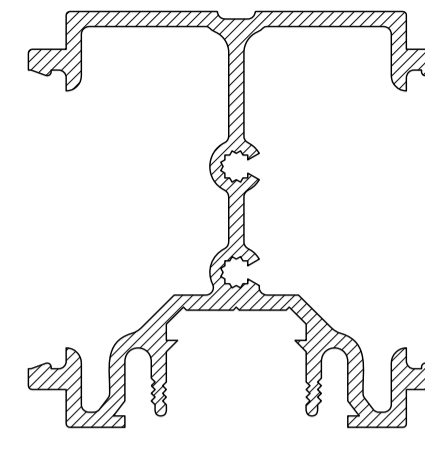
**CS117**

45mm x 45mm OUTER FRAME/MULLION



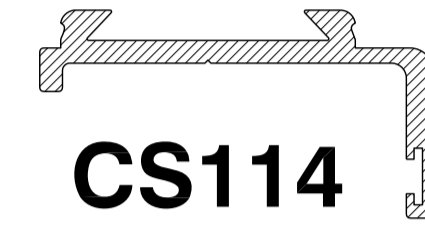
**CS157**

200mm DOOR/SASH RAIL



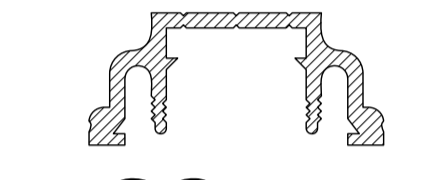
**CS118**

CORNER POST



**CS114**

BUTT HUNG DOOR CARRIER



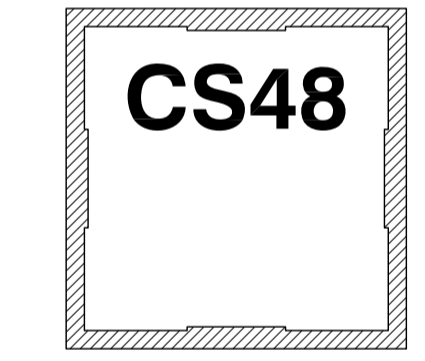
**CS116**

INFILL PLATE (POCKETED)



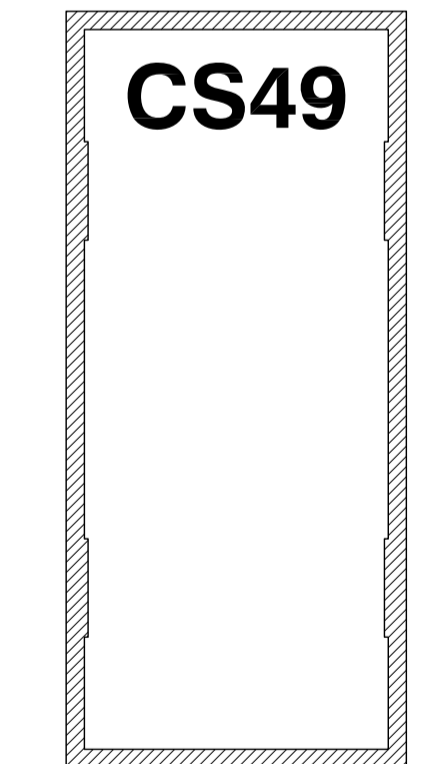
**CS119**

INFILL PLATE PLAIN



**CS48**

45mm x 45mm STD. BOX



**CS49**

100mm x 45mm STD. BOX

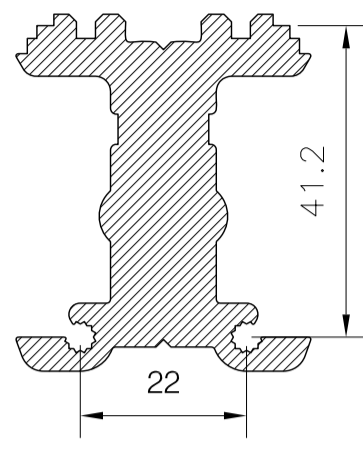


**CS191**

38mm x 25mm CHANNEL

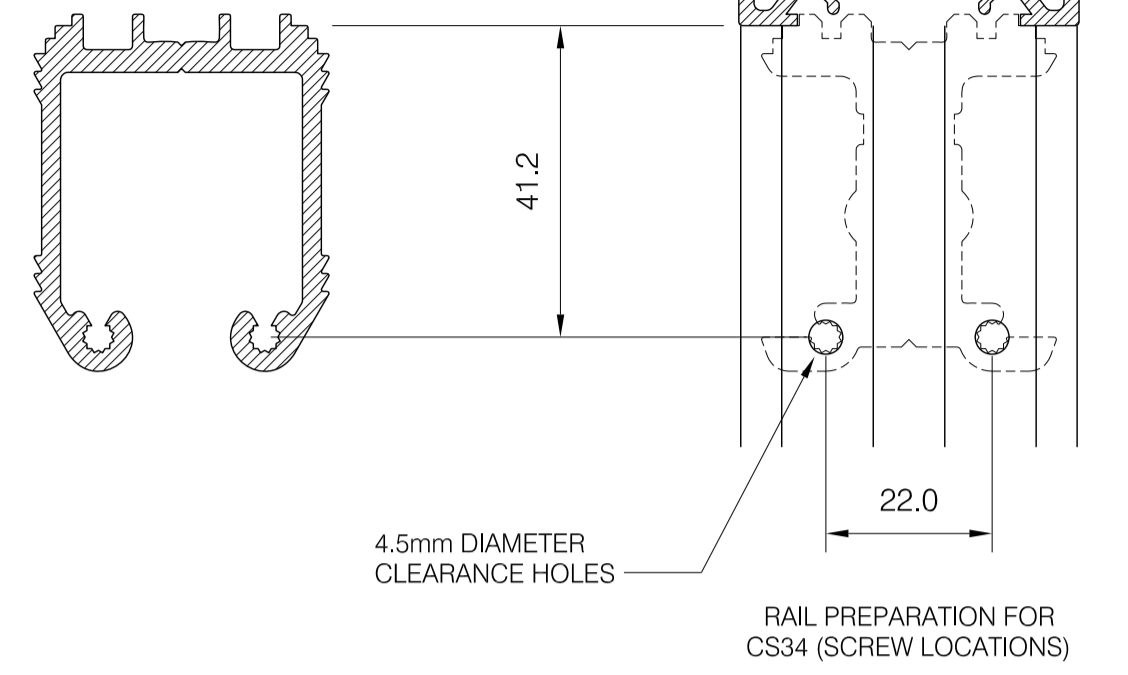
**CS34**

DOOR/SASH CLEAT



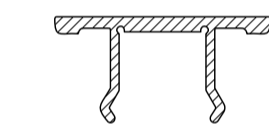
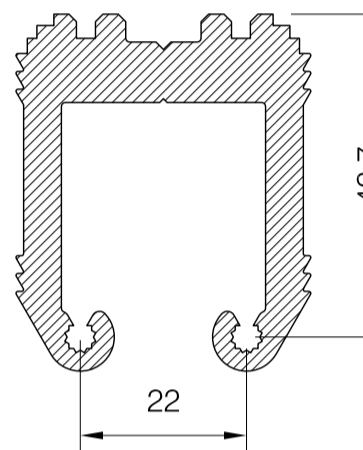
**CS735**

DOOR/SASH, SCREW/TIE ROD CLEAT



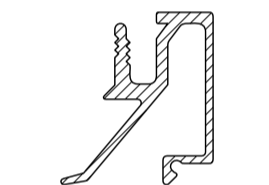
**CS35R**

DOOR/SASH SCREW CLEAT - DOOR (BAR LENGTH ONLY AVAILABLE)



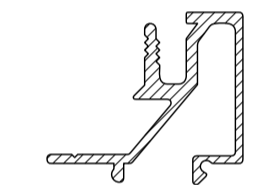
**CS31**

POCKET FILLER



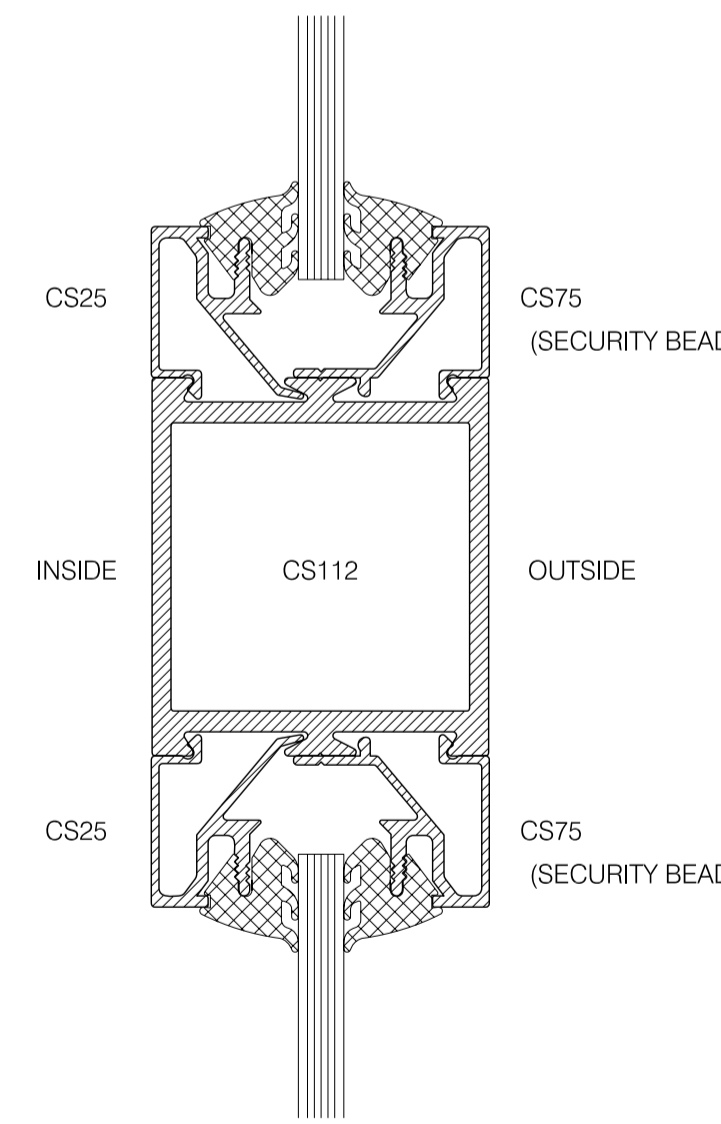
**CS25**

GLAZING BEAD (SQUARE)

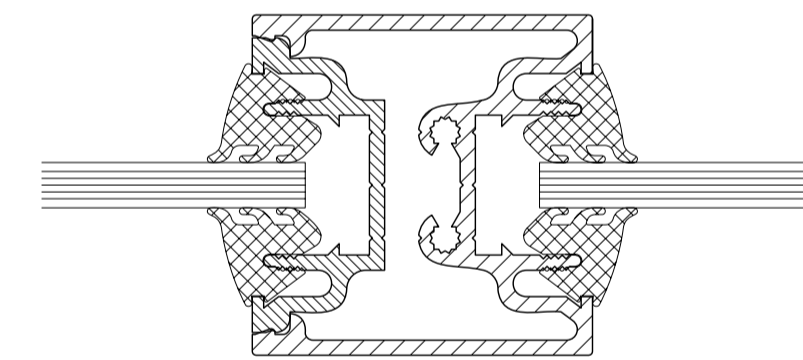


**CS75**

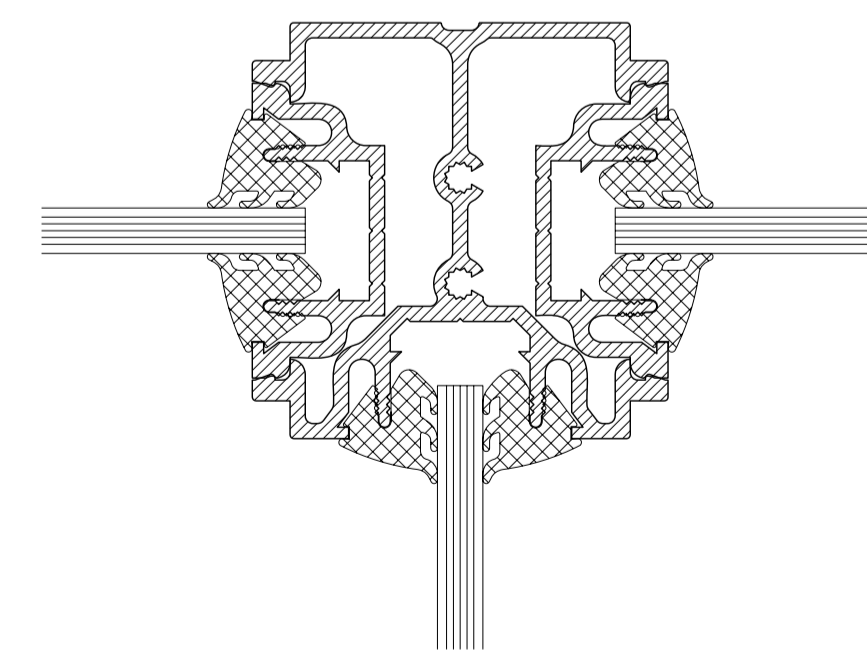
SECURITY BEAD



STD. GLAZING POCKET



TYPICAL MULLION DETAIL



3 WAY GLAZING OPTION