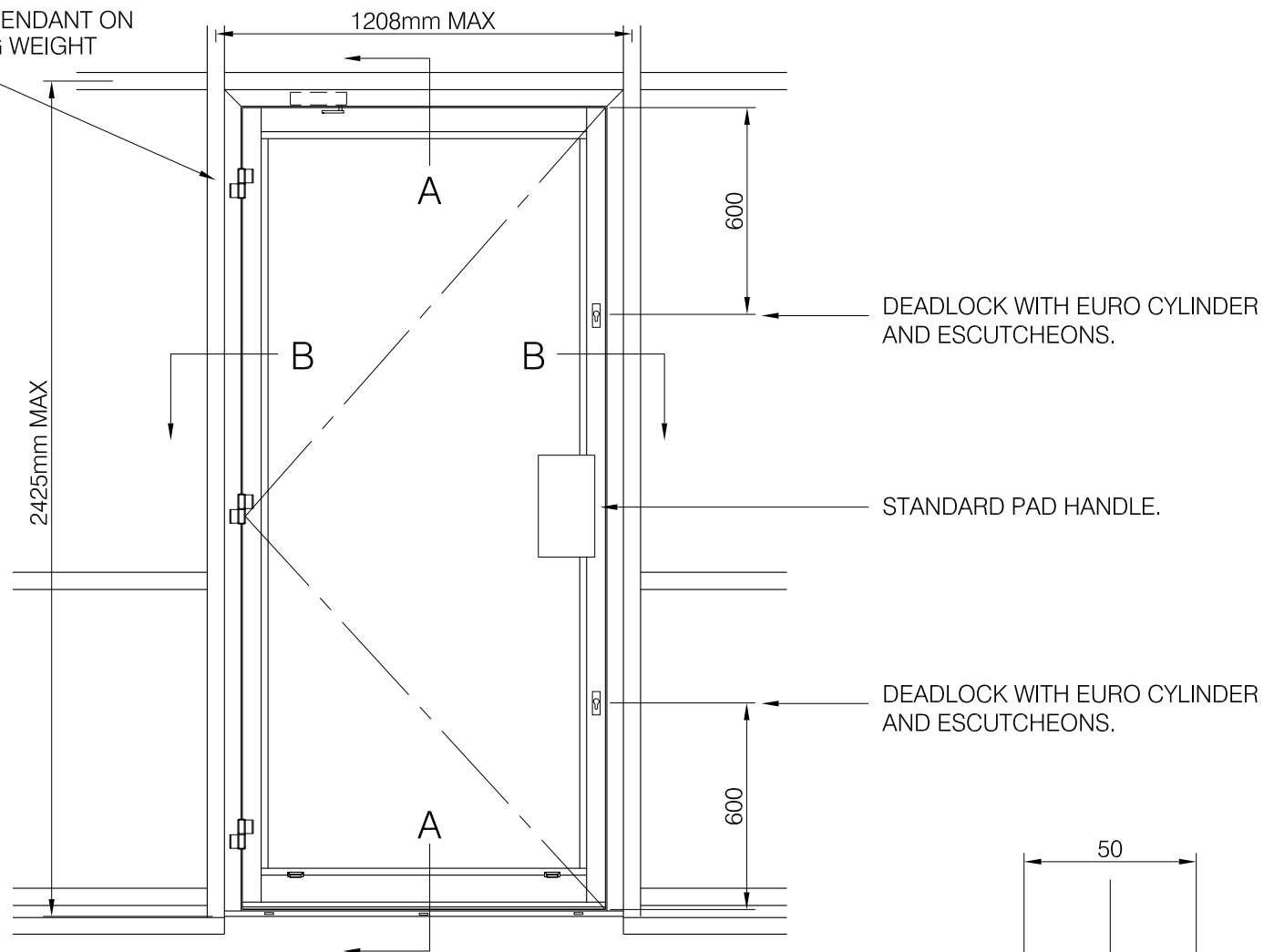
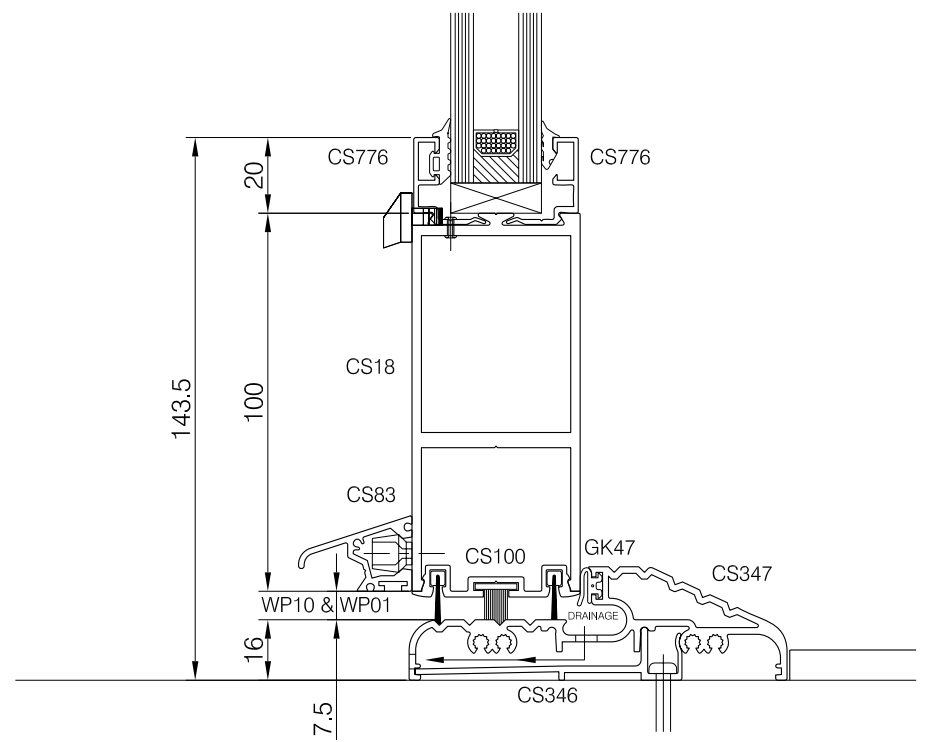


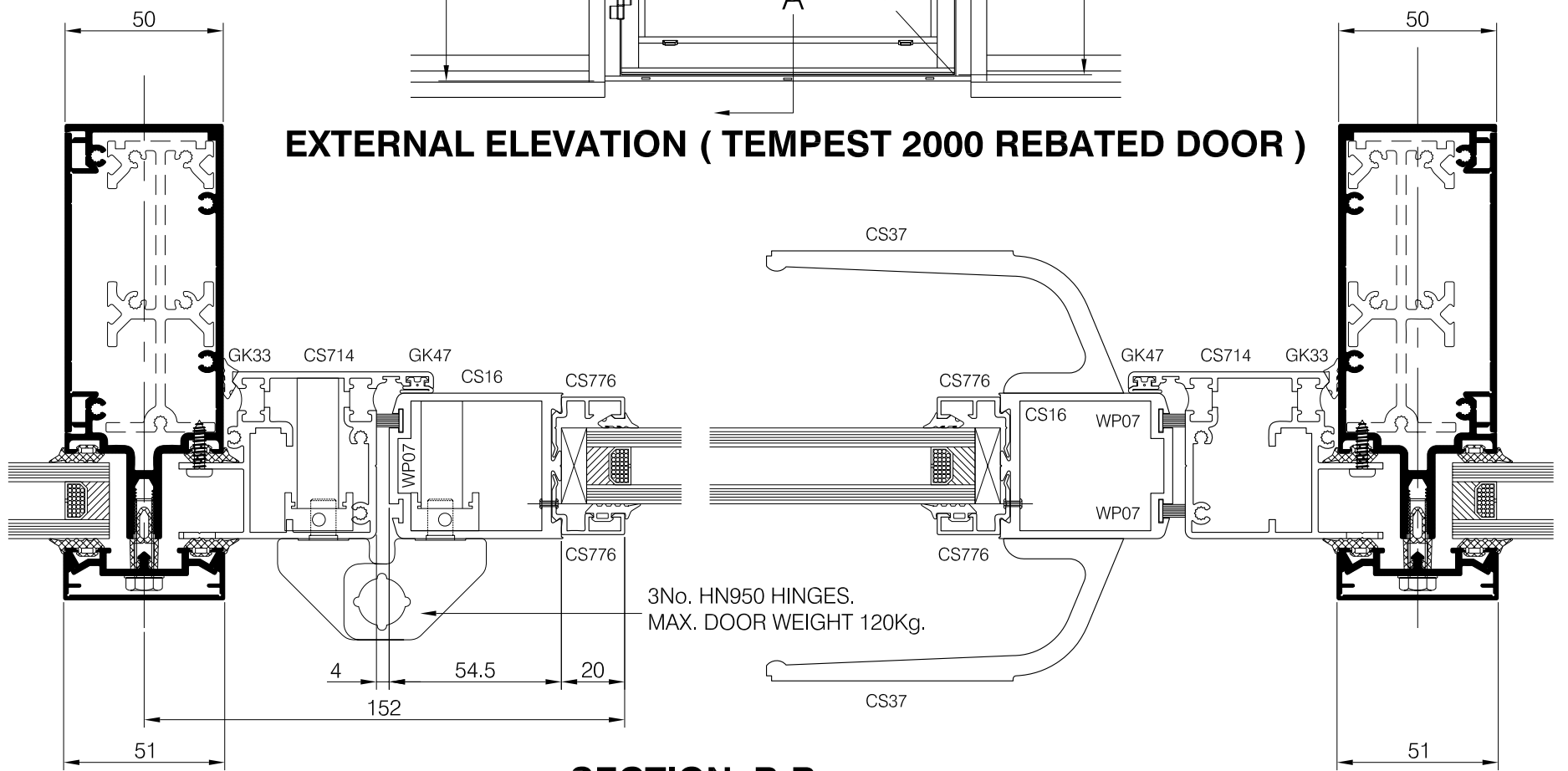
NUMBER OF HINGES DEPENDANT ON DOOR SIZE AND GLAZING WEIGHT



EXTERNAL ELEVATION (TEMPEST 2000 REBATED DOOR)



SECTION A-A



SECTION B-B