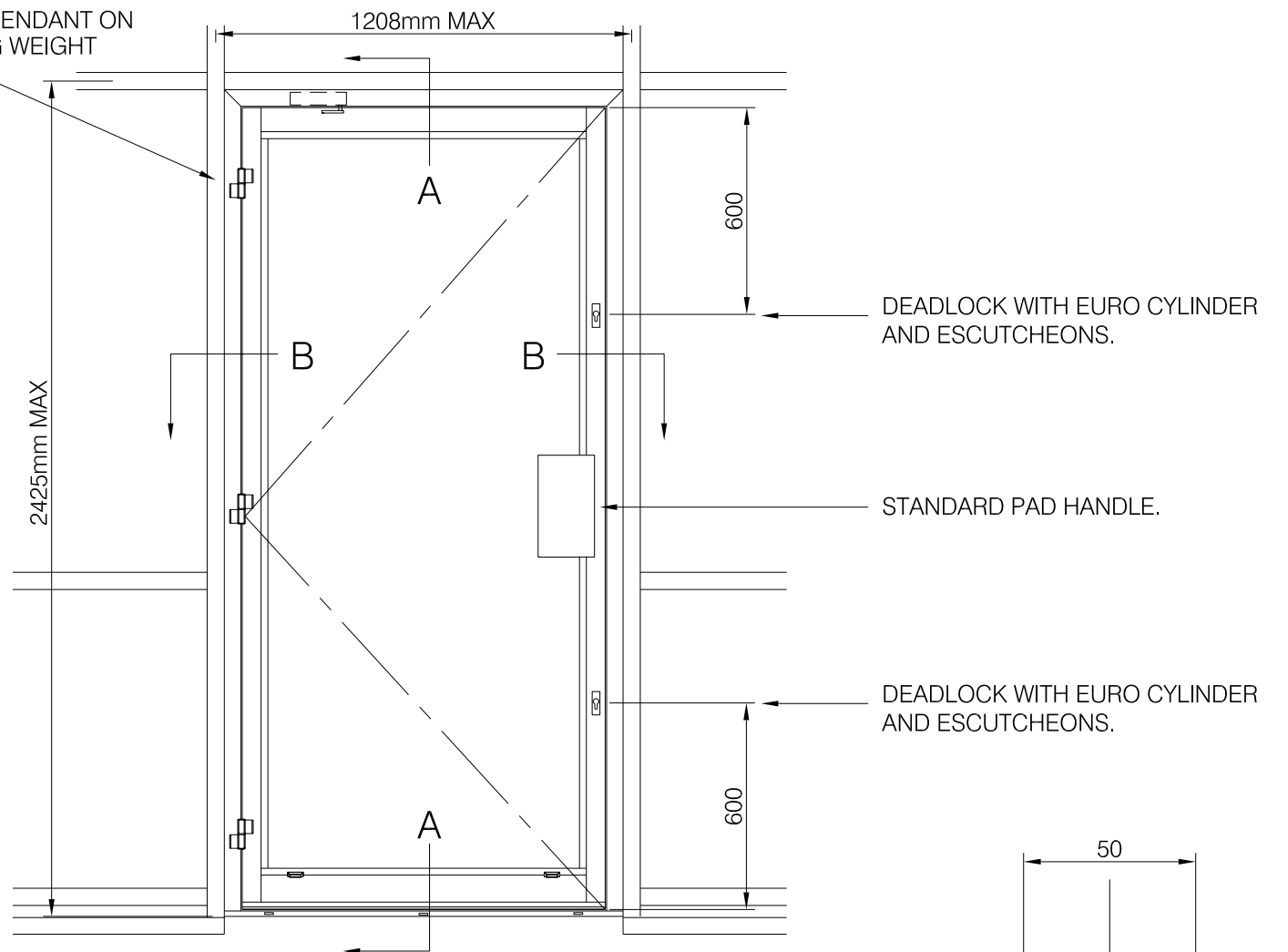
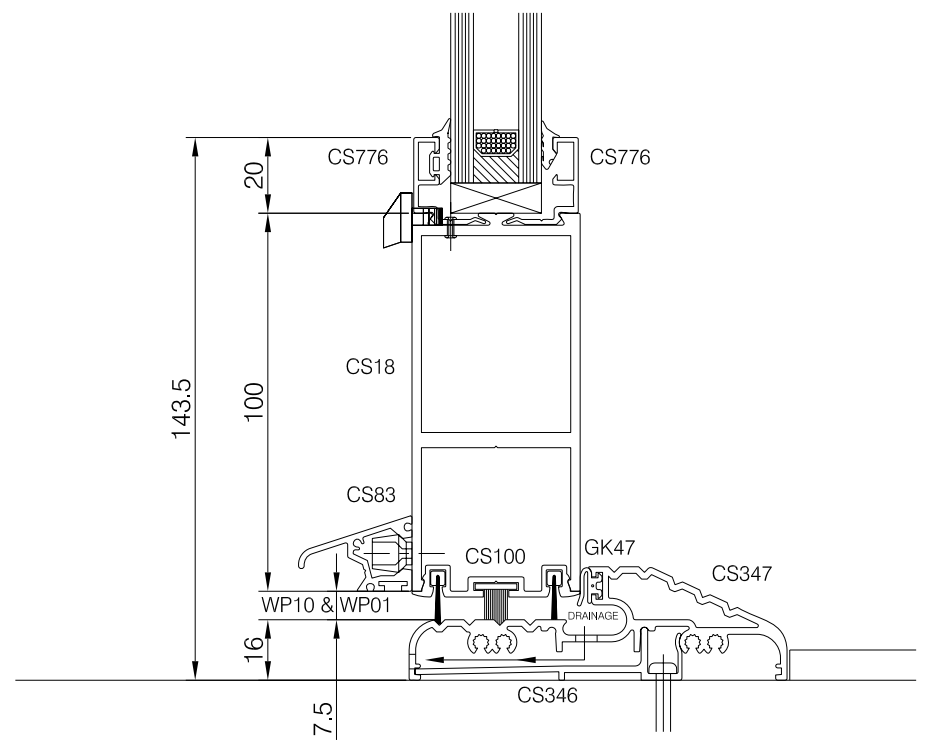


AXIM FC10 SURFACE MOUNTED CLOSER FIXED TO 5mm BACK PLATE. BACK PLATE FIXED PRIOR TO DOOR OUTER FRAME BY 6No. RIVNUTS.

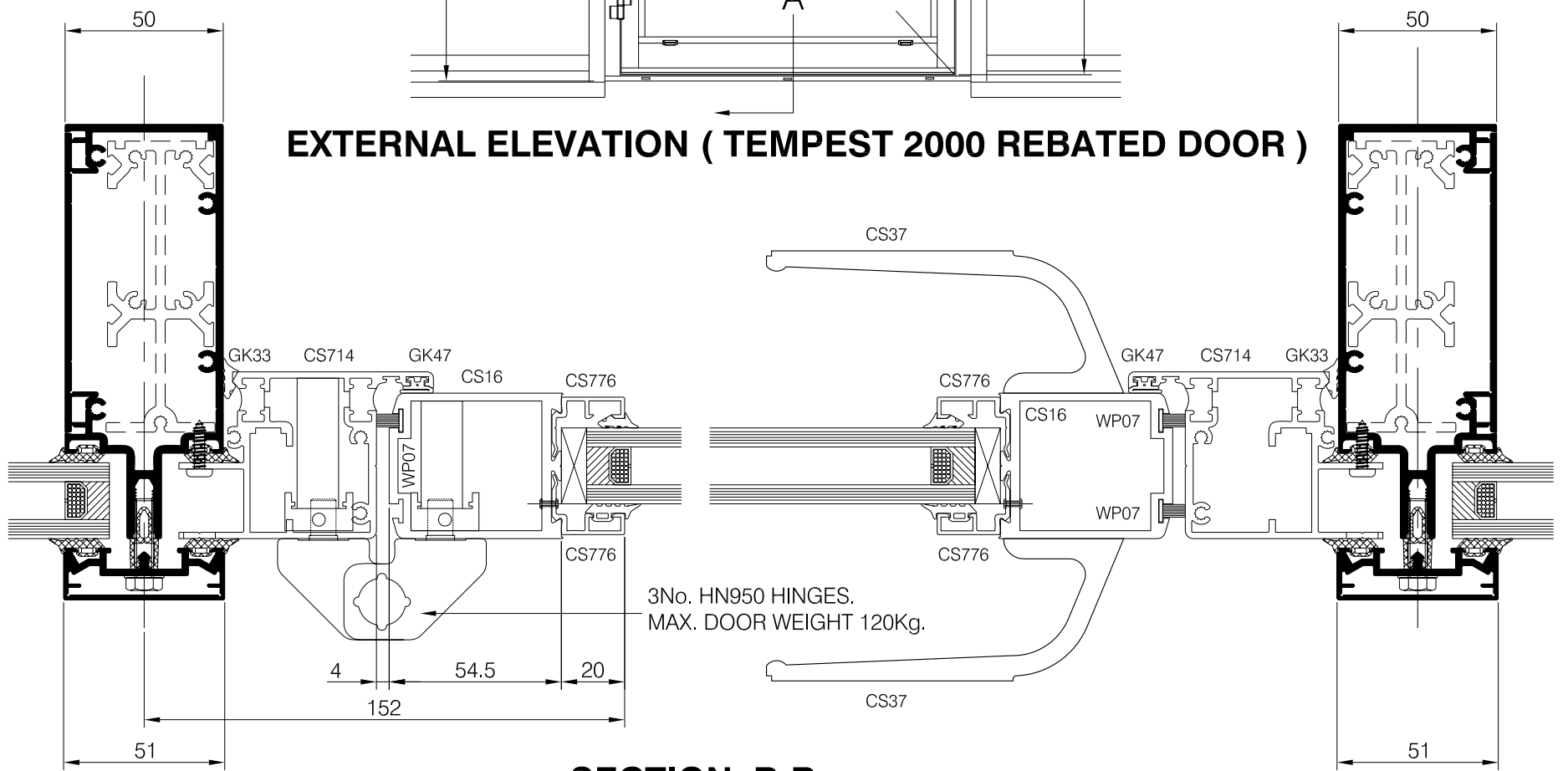
NUMBER OF HINGES DEPENDANT ON DOOR SIZE AND GLAZING WEIGHT



EXTERNAL ELEVATION (TEMPEST 2000 REBATED DOOR)



SECTION A-A



3No. HN950 HINGES.
MAX. DOOR WEIGHT 120Kg.

SECTION B-B