

Uniclass	EPIC
L411:P43	D11:X421
CI/SfB	
(31-5), Xh4	



comar
ARCHITECTURAL ALUMINIUM SYSTEMS

comar5P.i VSW

Vertical Sliding Window System

The Parkside Group Ltd

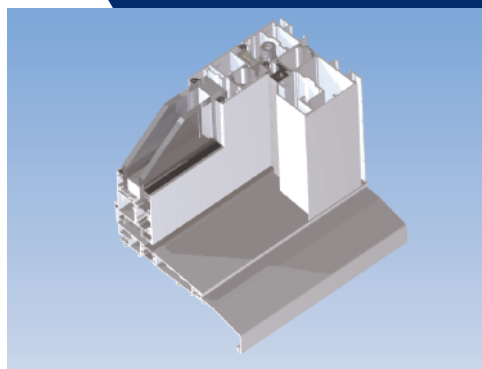
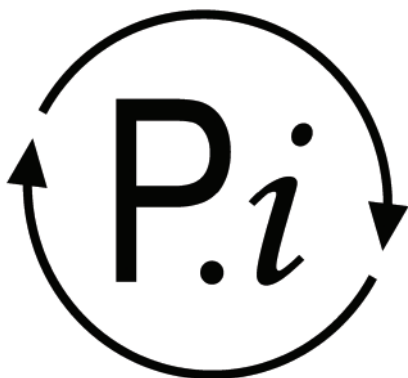
Unit 5, The Willow Centre
17 Willow Lane, Mitcham
Surrey CR4 4NX

Tel: +44(0) 20 8685 9685

Fax: +44(0) 20 8646 5096

Email: sales@parksidegrp.co.uk

Web: www.comar-alu.co.uk



complementing architecture

perform

Combinations & Integration

The Comar 5P.i VSW can be coupled together to form multi-light configurations and integrates into existing Comar framing systems.

Glazing Options

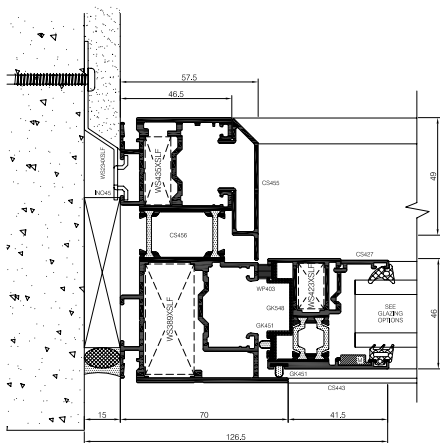
Both panels and glass can be incorporated into Comar 5P.i VSW using specific beads and gaskets for options between 22-32mm.

Construction

Frames are constructed with mitre joints with an inserted spring-loaded Monticelli cleat. The slide and tilt function of both sashes is created through Torso Balances and tilt restrictors which are designed to suit the window size and glass specified. The fabrication procedure allows the window to be manufactured with the balances already fitted into the outer frame, allowing the sashes to be installed on site quickly. Glazing is achieved using specific EPDM gaskets and beads, which snap-fit and create a water-tight barrier.

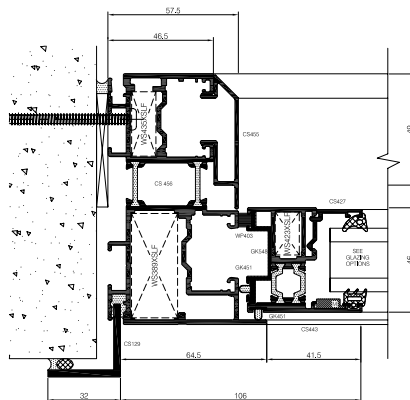
The window has a sash lock mechanism and a lockable restrictor as standard. High security options are also available.

Fixing Strap



General arrangement showing the fixing detail of Comar 5P.i VSW into a brick reveal using INO45R fixing strap

Direct Fix



General arrangement showing the fixing detail of Comar 5P.i VSW into a brick reveal using a direct fix option

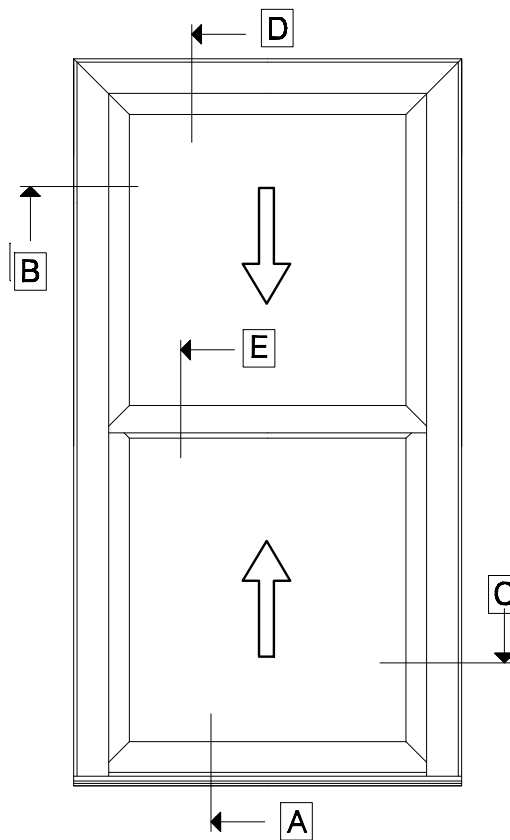
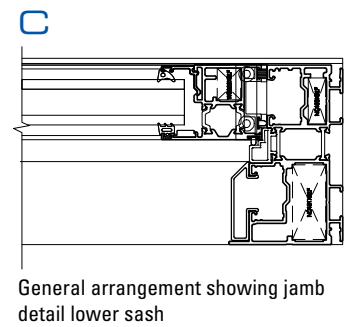
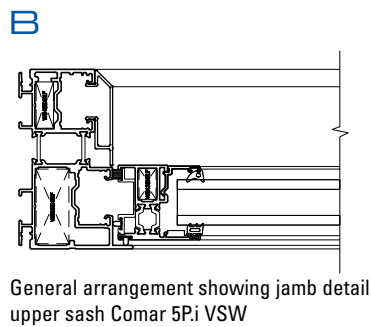
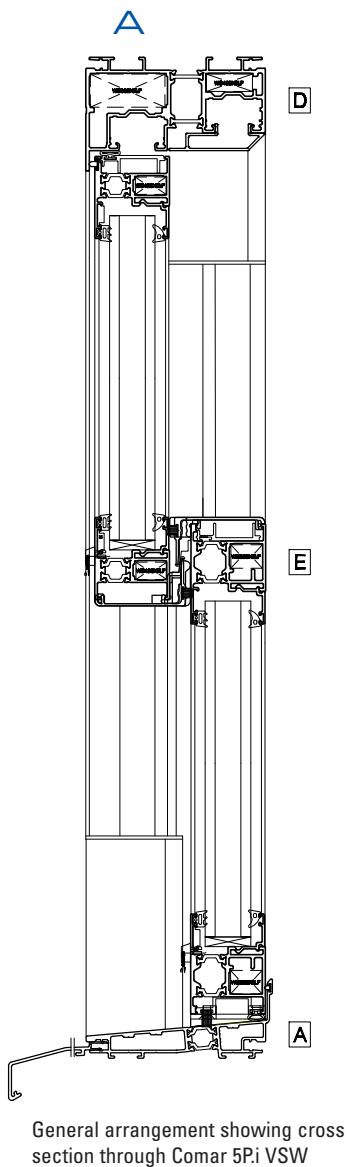
Upper/lower sash profile limitations

*Sashes are not equal.

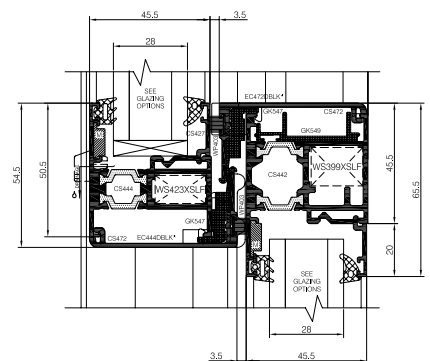
SASH WIDTH	l _{yy} =4.1 cm ⁴	l _{yy} =9.1 cm ⁴	l _{yy} =4.1 cm ⁴	l _{yy} =9.1 cm ⁴
	Upper Sash SLIDING	Lower Sash SLIDING	Upper Sash SLIDING/TILT	Lower Sash SLIDING/TILT
	CS444	CS442	CS444	CS442
MAXIMUM SASH HEIGHT				
750	1800*	1800*	1495*	1495*
800	1800*	1800*	1390	1390
850	1800*	1800*	1300	1300
900	1790*	1790*	1220	1220
950	1685*	1685*	1150	1150
1000	1595*	1595*	1085	1085
1050	1510*	1510*	1025	1025
1100	1435*	1435*	970	970
1150	1365	1365	925	925
1200	1305	1305	880	880
1250	1245	1245	840	840
1300	1175	1195	800	800
1350	1010	1145	770	770
1400	870	1100	735	735
1450	745	1055	705	705

Load chart based on 28mm (6/16/6) double glazed unit. For Wind Loading exceeding 1670Pa and window width more than 1420mm check Wind Load for the CS444/CS442. For exceeding maximum size limitation please contact Technical Department.

COMAR5P.i VSW



Stile Interlock Detail



General arrangement showing interlock detail of both sashes

Technical Back-Up

An experienced Sales Team covers the UK while the Technical Department offers an unsurpassed design and installation advice service to designers, specifiers and fabricators; simply call: +44(0) 20 8685 9685

For More Information

To find out more about this or any other Comar Architectural Aluminium System, or to obtain your personal copies of the COMAR TECHNICAL MANUALS call: +44(0) 20 8685 9685 or fax on: +44(0) 20 8646 5096