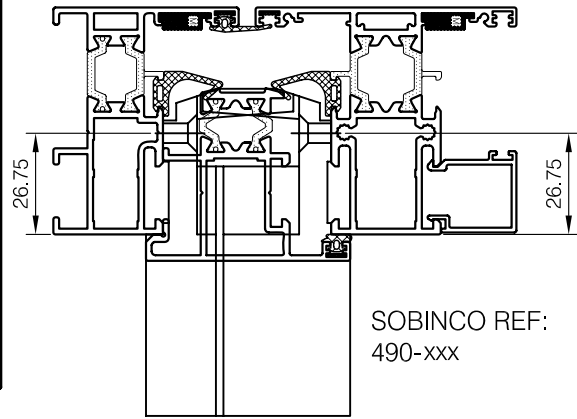
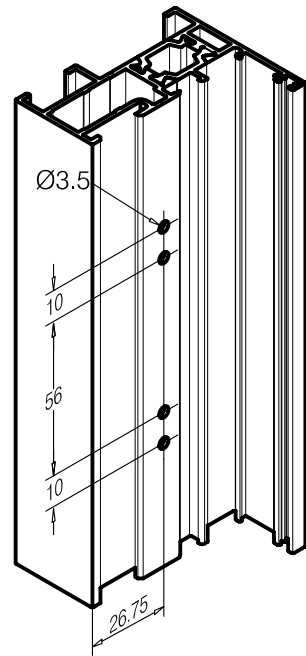


1. Preparation for attachment of Comar pivot to sash

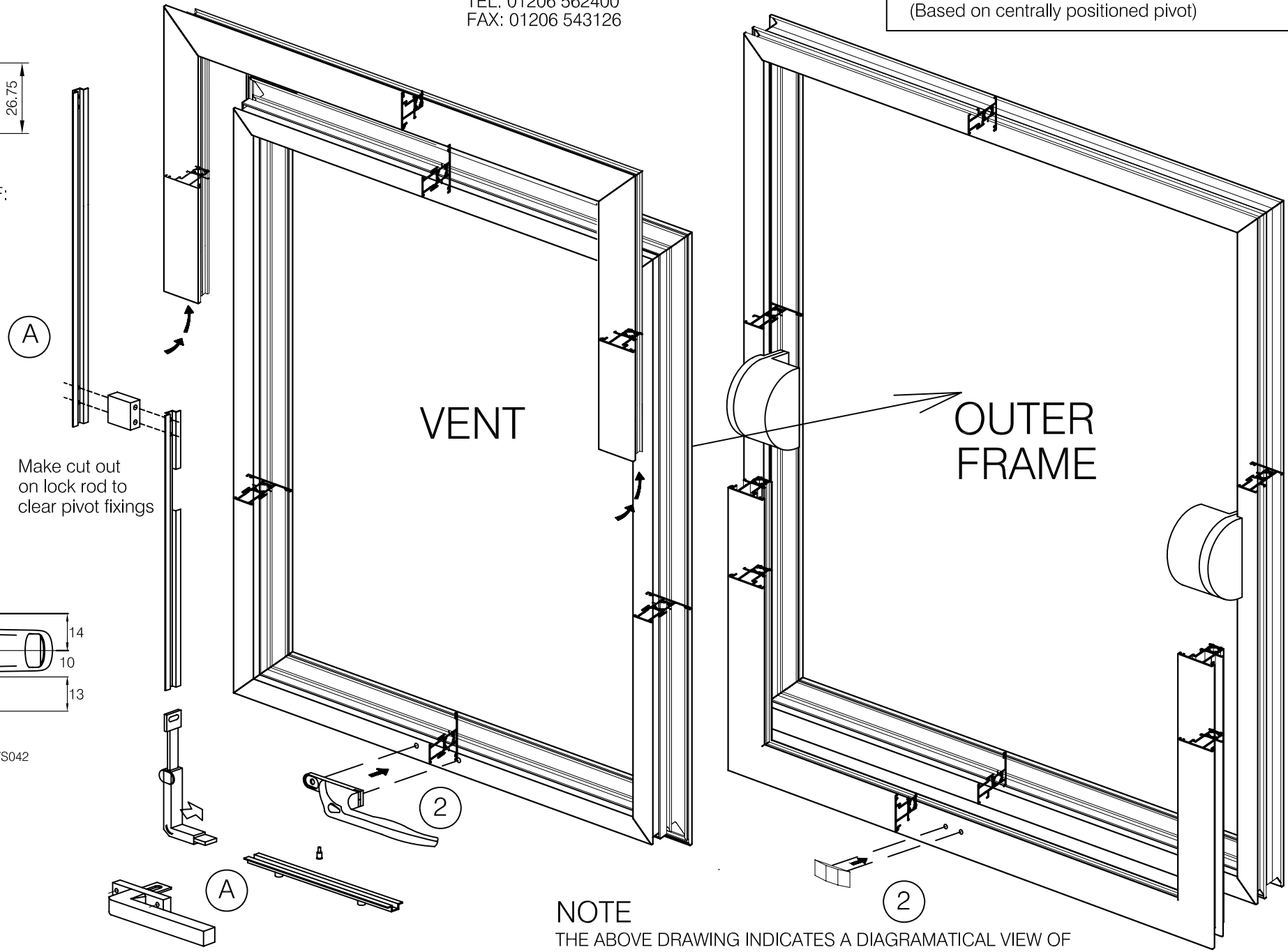


A. See drawing 5.12 for multipoint locking prep details.

SOBINCO REF:
490-xxx

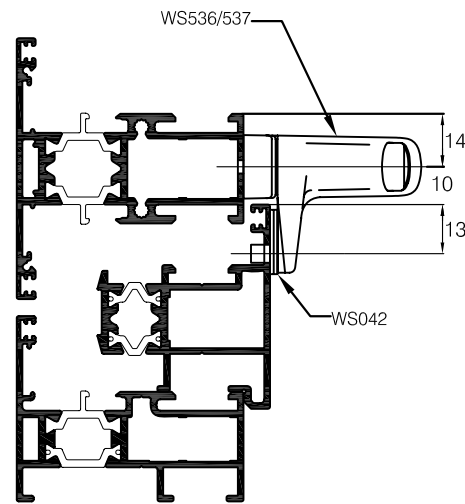
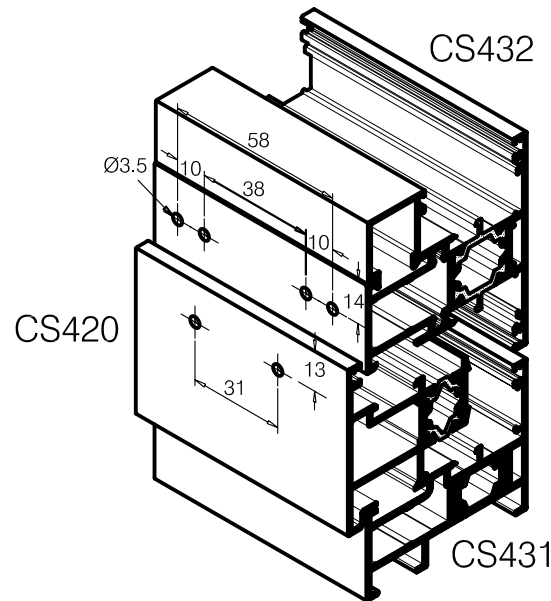
- RH unrestricted - WS410BSVR
- LH unrestricted - WS411BSVR
- RH 15° restricted - WS426BSVR
- LH 15° restricted - WS427BSVR

Sash and transfer frame viewed from inside.



Make cut out on lock rod to clear pivot fixings

2. Preparation for Securistyle handle WS536/537 and 2mm wedge WS042



Glass	
Sash Glass	
Cut to	Sash size - 110mm

Profiles	
Outer Frames	
Cut to	Work size
Sash size	
Mitre cut to	Work size - 108mm
	or
	Edge to \varnothing - 92mm
	\varnothing to \varnothing - 75mm
Transfer profile	
Mitre cut to	Sash size + 58mm
and	
Mitre/square cut to	$\frac{\text{Sash size}}{2}$ - 14mm
(Based on centrally positioned pivot)	

SOBINCO PIVOT & PERIMETER LOCKING
GEAR SUPPLIED BY:
TITON HARDWARE Ltd.
INTERNATIONAL HOUSE
PEARTREE ROAD
STANWAY
COLCHESTER
ESSEX
CO3 5JX
TEL: 01206 562400
FAX: 01206 543126

NOTE
THE ABOVE DRAWING INDICATES A DIAGRAMMATICAL VIEW OF THE MULTIPOINT LOCKING GEAR FOR THE REVERSIBLE PIVOT WINDOW