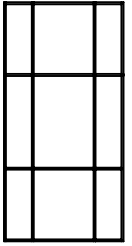


Copyright and ownership of this drawing is vested in EFT,  
Euro Facade Systems Ltd, whose prior written consent is required  
for its use, reproduction or for publication to any third party.  
All other rights reserved. Subject to modifications.

2

Typical details

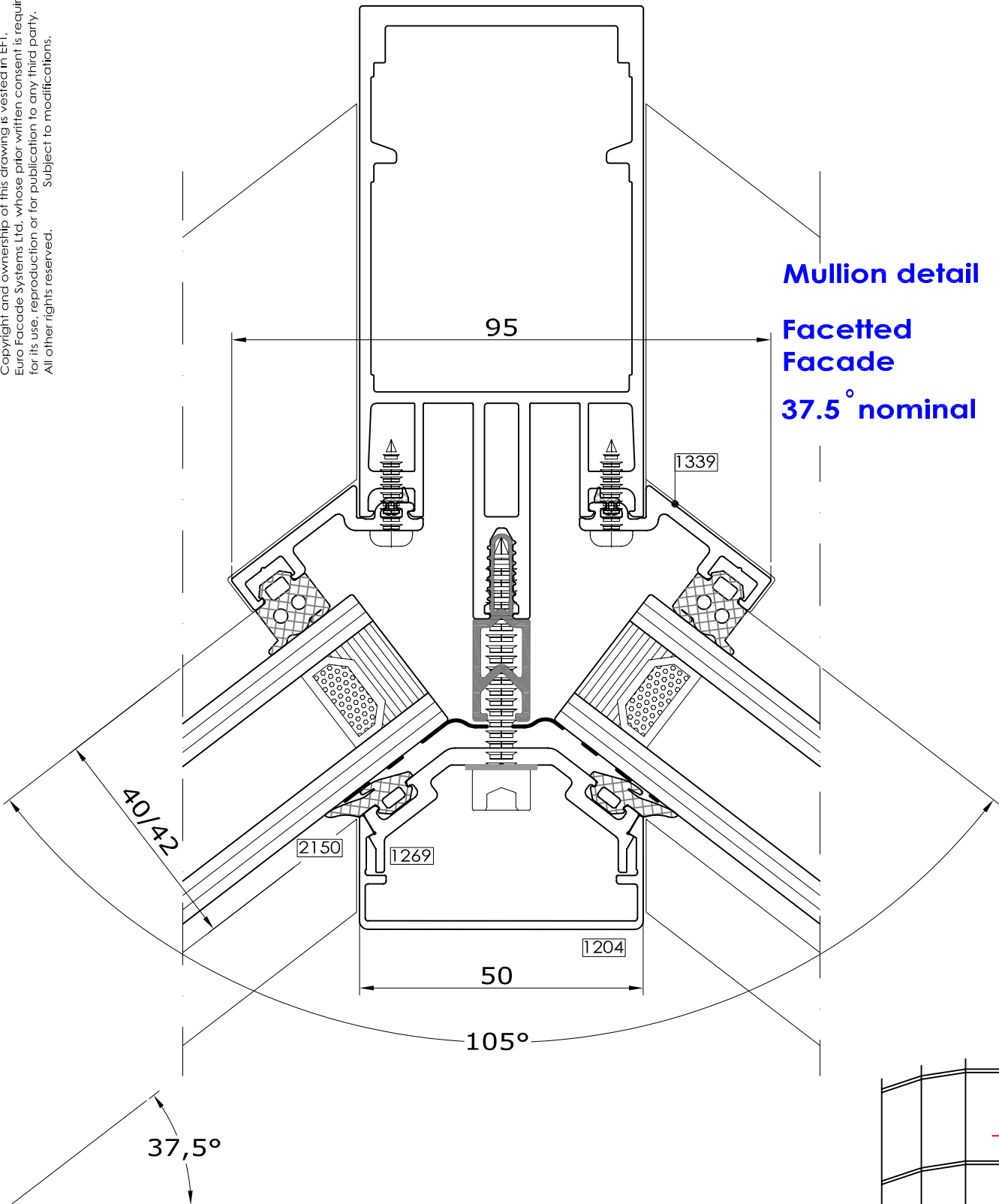
Comar 6EFT Facetted



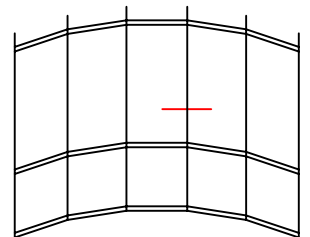
Mullion detail 2.32

Facetted  
Facade

37.5° nominal



Fabricators Guide



Changes reserved  
Sous reserve de modifications  
Änderungen vorbehalten

Issue: 02  
Date: 08-05

