

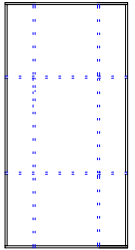
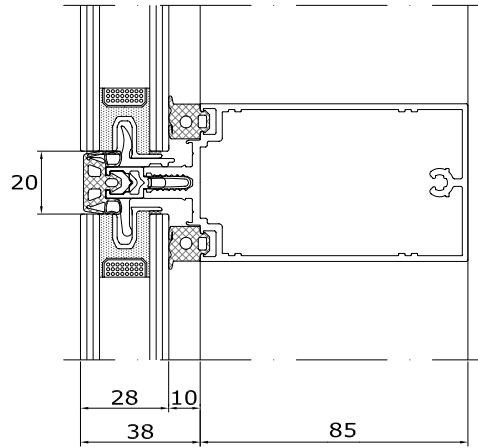
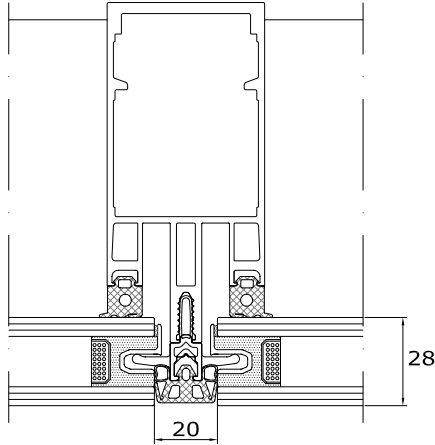
Copyright and ownership of this drawing is vested in EFT, Euro Facade Systems Ltd, whose prior written consent is required for its use, reproduction or for publication to any third party. All other rights reserved. Subject to modifications.

2

Typical details

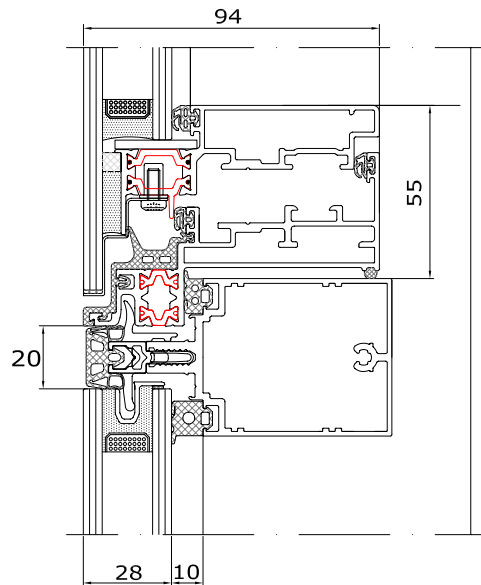
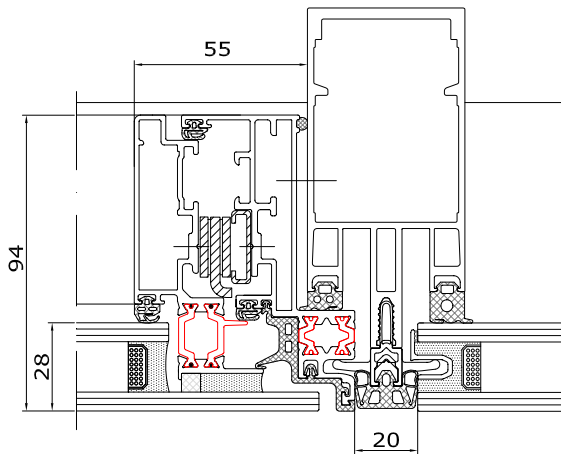
Comar 6EFT 4sided SG

Comar 6EFT 4sided SG



2.80

Comar 6EFT 4sided SG  
Including Comar 6EFT Concealed Vent



Fabricators Guide

Changes reserved  
Sous reserve de modifications  
Änderungen vorbehalten

Issue: 02  
Date: 09-05

