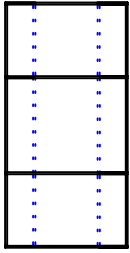


# Typical details

2

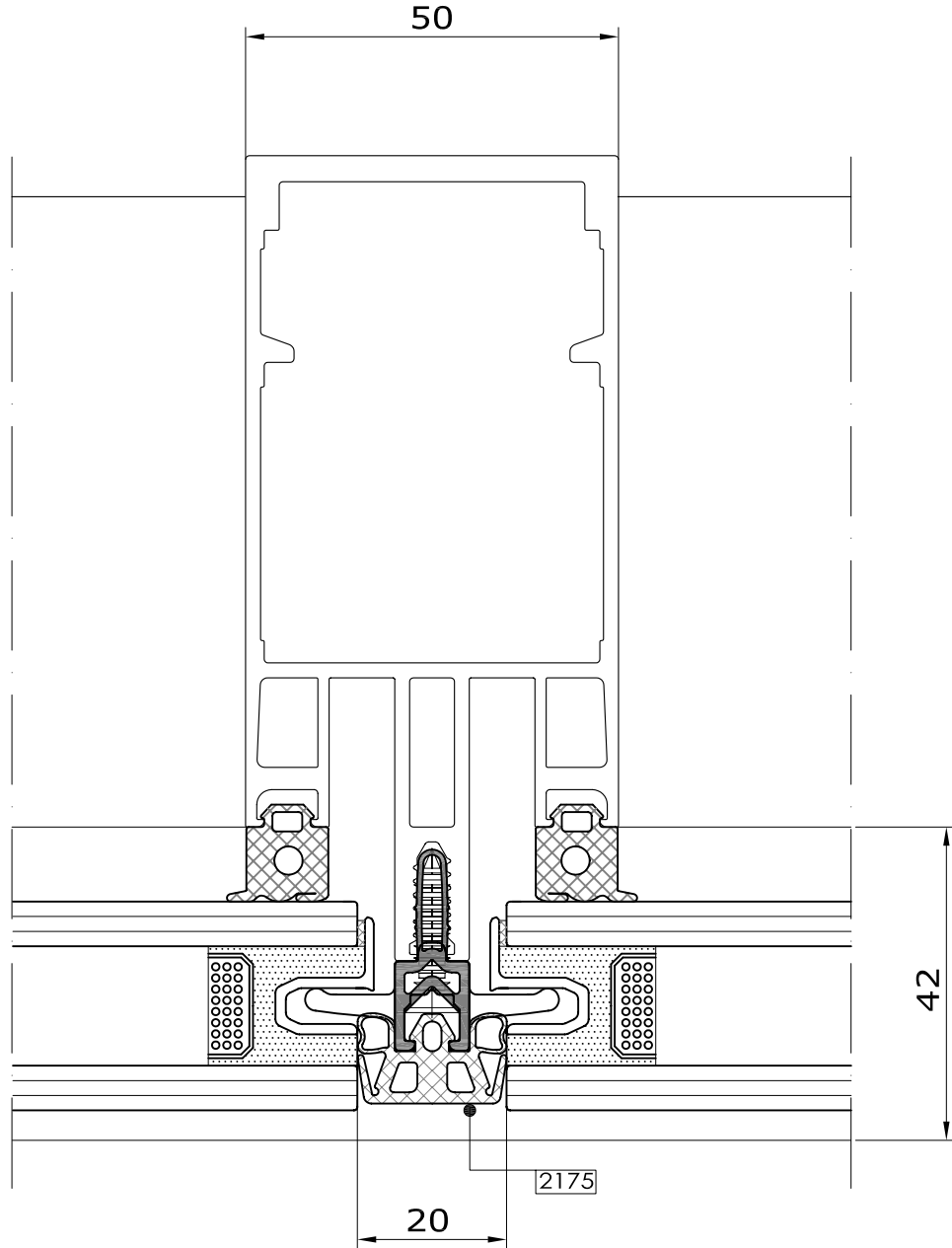
## Comar 6EFT 2sided SGH

### Mullion detail



2.51

Fabricators Guide



Copyright and ownership of this drawing is vested in EFT, Euro Facade Systems Ltd, whose prior written consent is required for its use, reproduction or for publication to any third party. All other rights reserved. Subject to modifications.



Changes reserved  
Sous reserve de modifications  
Änderungen vorbehalten

Issue: 02  
Date: 08 -05