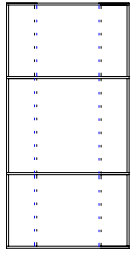
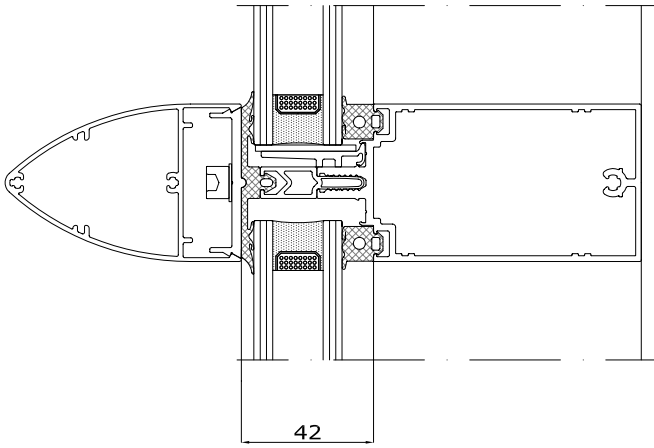
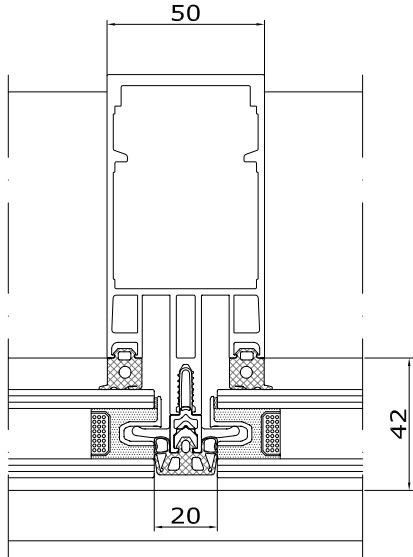


Copyright and ownership of this drawing is vested in EFT, Euro Facade Systems Ltd, whose prior written consent is required for its use, reproduction or for publication to any third party. All other rights reserved. Subject to modifications.

Two Sided Structural Glazing

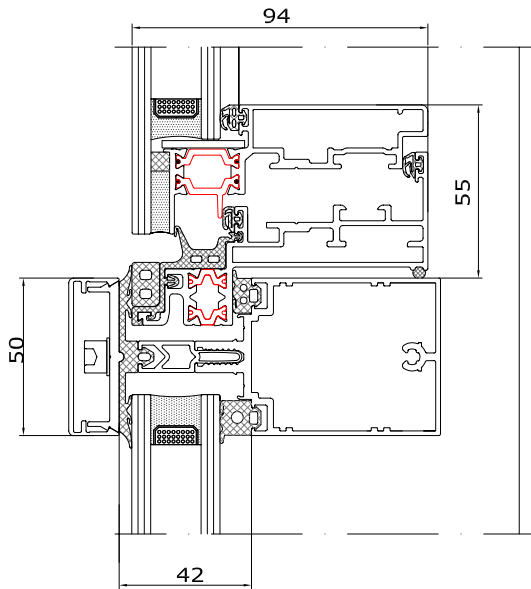
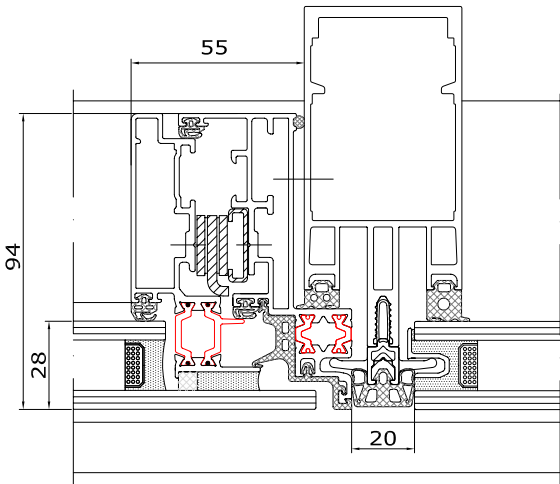
Horizontal cover cap / Vertical EPDM gasket or silicone sealant



2.50

Two Sided Structural Glazing

Including Comar6EFT concealed vent



Fabricators Guide

Changes reserved
Sous reserve de modifications
Änderungen vorbehalten

Issue: 02
Date: 08-05

