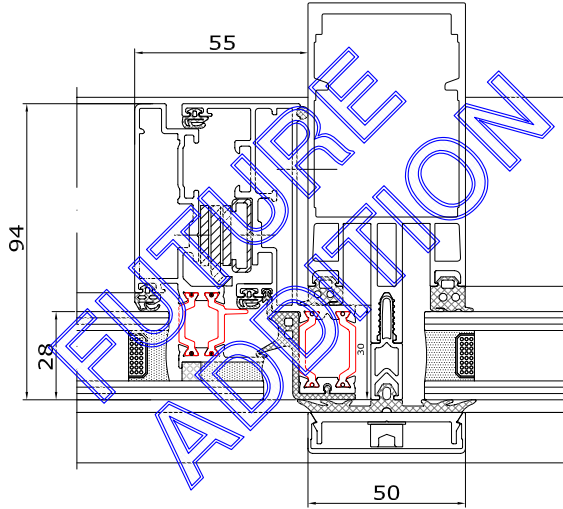


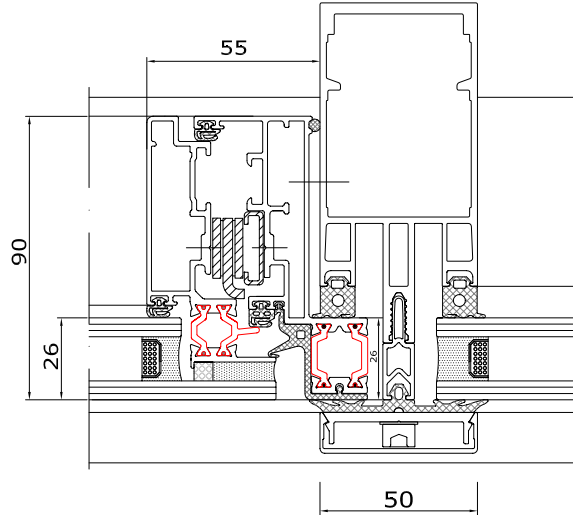
Copyright and ownership of this drawing is vested in EFT, Euro Faccade Systems Ltd, whose prior written consent is required for its use, reproduction or for publication to any third party. All other rights reserved. Subject to modifications.

Comar 6EFT Concealed Vent

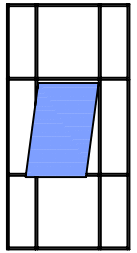
Mullion details Window Jamb details



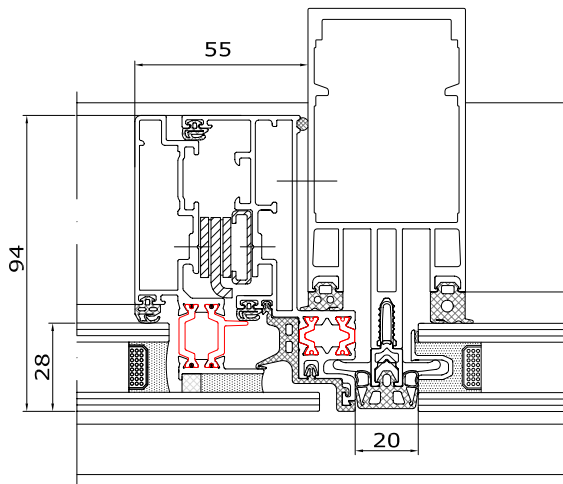
Integrated into Curtain Walling or 2sided SGV
Double glass 24 - 30 (32) mm



Integrated into Curtain Walling or 2sided SGV
Double glass 24 - 28 (30) mm



8.10



Integrated into 2sided SGH or 4sided SG
Double glass 24 - 30 (32) mm

Changes reserved
Sous reserve de modifications
Änderungen vorbehalten

Issue: 02
Date: 09-05

