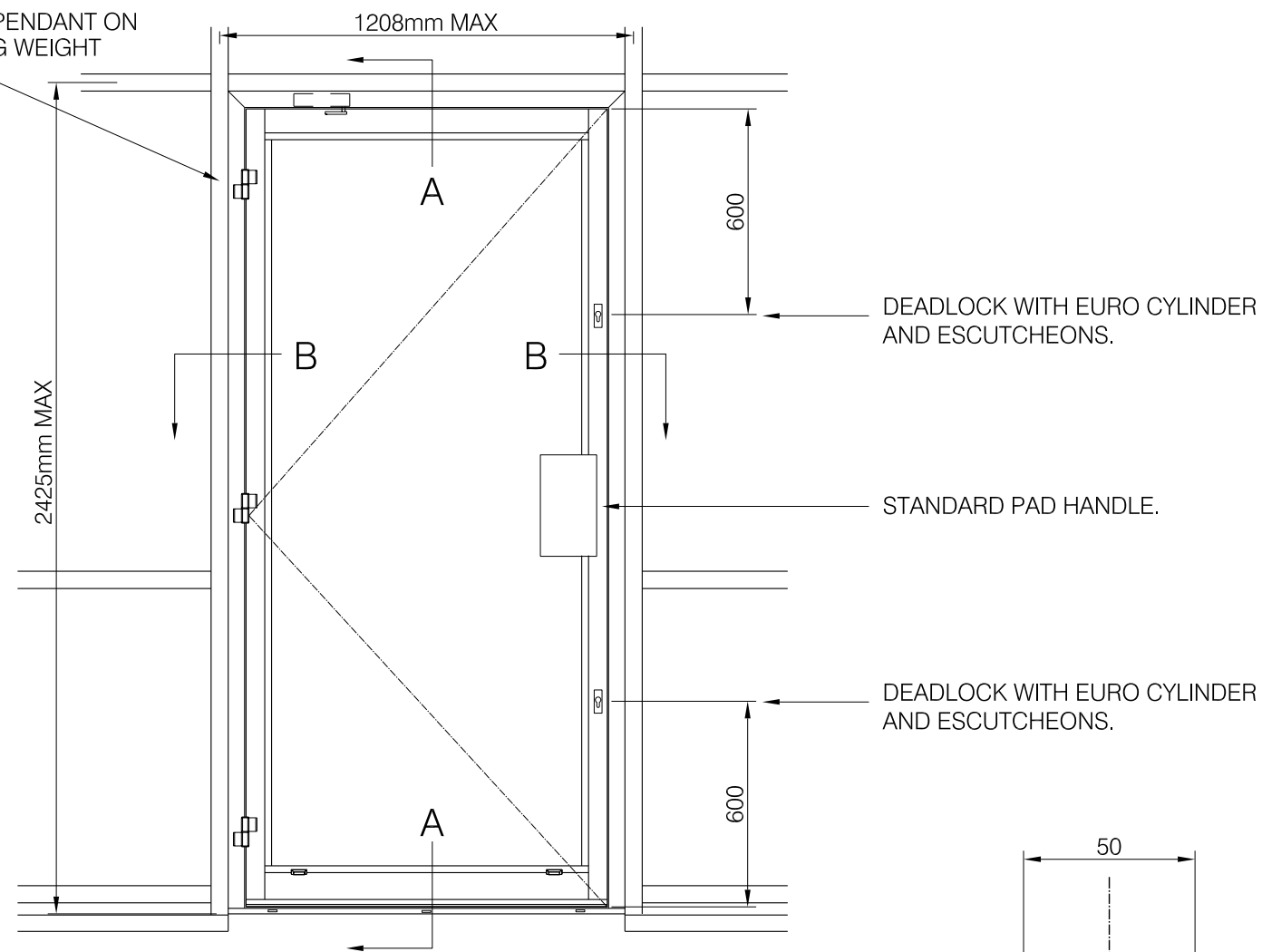
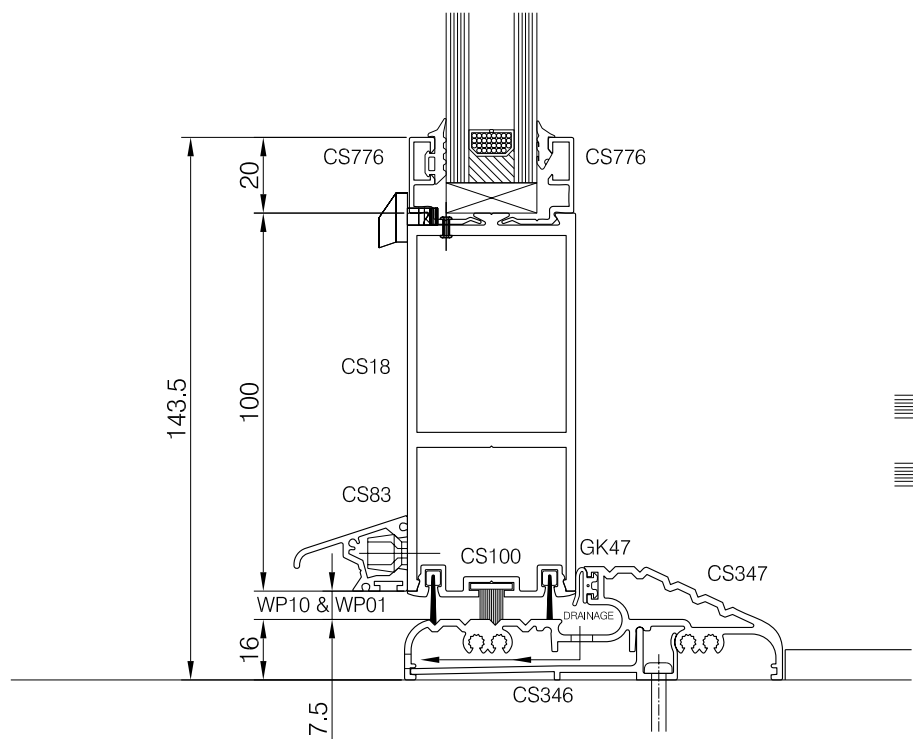


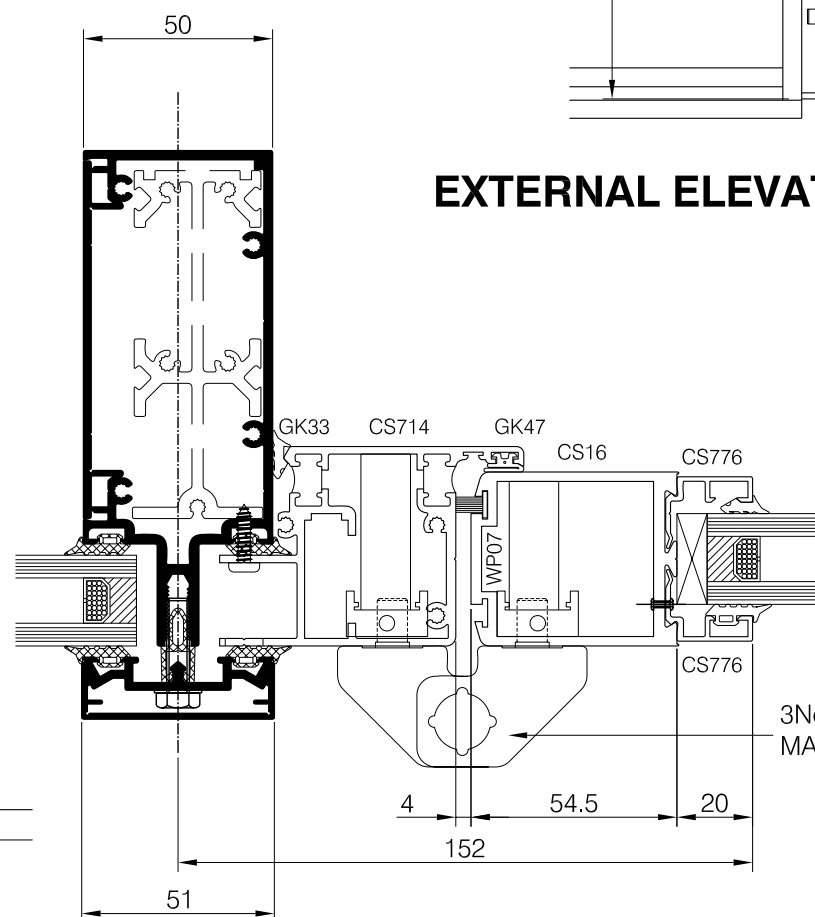
NUMBER OF HINGES DEPENDANT ON DOOR SIZE AND GLAZING WEIGHT



EXTERNAL ELEVATION (COMAR 7 REBATED DOOR)



SECTION A-A



SECTION B-B

3No. HN950 HINGES.
MAX. DOOR WEIGHT 120Kg.

